

# LASER PEGS®

The Ultimate Construction Toy For Kids®

**ZD 110B  
MONSTER  
TRUCK**  
AGES 5+  
6 Models+

Any creation you can build  
**LIGHTED**  
CONSTRUCTION SET INCLUDES:

- 1 Laser Pegs®
- 66 Tinted Bricks
- Zippy Do® Power Base
- Instruction Manual

Please read this manual before you begin!  
Failure to follow this manual's instructions may result in damage to the Zippy Do® Power Base and/or the Zippy Do® pieces. Not adhering to these instructions will void the manufacturer's warranty. The packaging must be kept because it contains important information.

**WARNING: CHOKING HAZARD**-Small parts.  
Not for children under 3 yrs.  
Do not submerge in water.

**WARNING: STROBE LIGHTS  
MAY CAUSE SEIZURES**

Requires 3-LR44 Batteries **DO NOT SUBMERGE IN WATER**

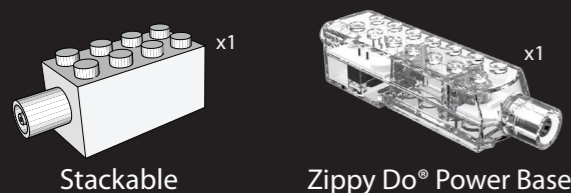
Batteries  
Included

EN71, RoHS COMPLIANT

This product complies to  
all safety requirements  
of ASTM F 963

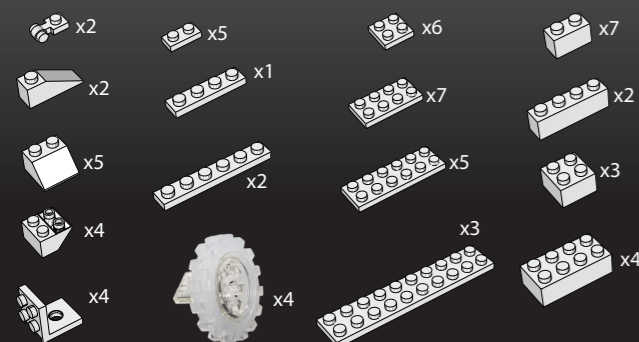


## Laser Pegs® Parts List



The toy is not to be connected to more than  
the recommended number of power supplies

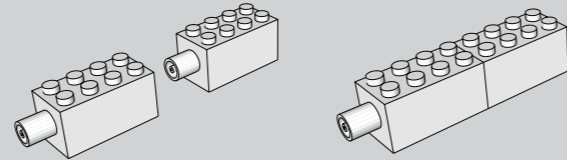
## Tinted Bricks List



[www.LaserPegs.com](http://www.LaserPegs.com)

This manual is copyright and cannot be reproduced or used online without Laser Pegs® Ventures LLC permission. Copyright 2014 © All Rights Reserved US Patent #7,731,558 Additional Global & Multiple Patents Pending. Laser Pegs® Ventures LLC, 8304 Consumer Ct Sarasota FL, 34240. Contact: Support@LaserPegs.com

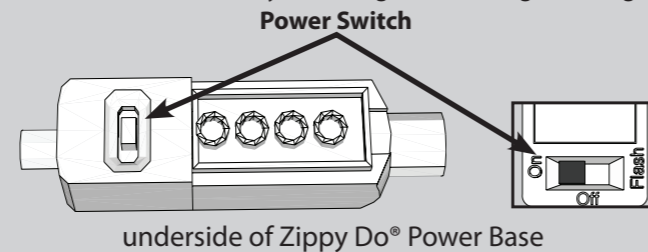
## Connecting Pegs



To construct with Laser Pegs®, slide two pieces together to form a connection. Slide each piece on and off smoothly. (Laser Pegs® pieces sold separately).

\*To avoid short-circuits, keep metal objects and other unauthorized materials from obstructing the peg holes.

**Slide Power Switch to turn on/off/flash**  
Slide Power Switch to cycle through different light settings.



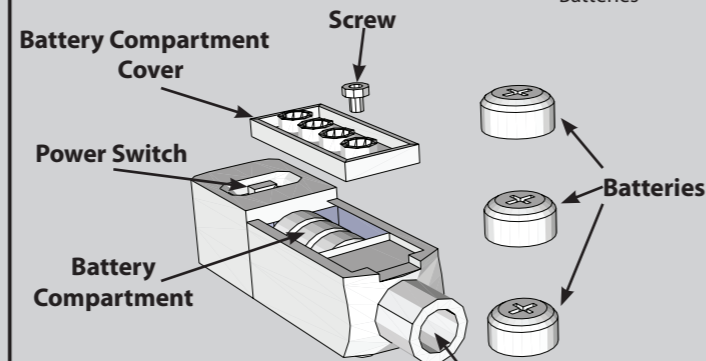
**This Product contains a button battery. If swallowed, it could cause severe injury or death in just 2 hours. Seek medical attention immediately.**

## Replacing Batteries

1. Remove the Phillips head screw.
2. Remove the Battery Compartment Cover.
3. Place three (3) LR44 batteries in the correct position. (Batteries are to be inserted with the correct polarity).
4. Replace the Battery Compartment Cover.
5. Replace the Phillips head screw.
6. Slide Power Switch to turn on!
7. Do not mix old and new batteries.
8. Do not mix alkaline, standard (carbon-zinc), or rechargeable (nickel-cadmium, NiMH) batteries!
9. Exhausted batteries are to be removed from the power base.
10. Batteries should be recycled or disposed of as per state and local guidelines.
11. Non-rechargeable batteries are not to be recharged.
12. Rechargeable batteries are only to be recharged under adult supervision.
13. Rechargeable batteries are to be removed from the toy before being recharged.
14. The supply terminals are not to be short-circuited.
15. Do NOT throw batteries into fire!

Remove the Phillips head screw with a 4mm screw driver.

Requires  
**3-LR44 Button Cell**  
Batteries



**BATTERIES ARE TO BE INSERTED INTO THE TOY BY AN ADULT ONLY!**

Connects to other  
Laser Pegs® pieces

**ONLY ADULTS SHOULD INSTALL THE BATTERIES**

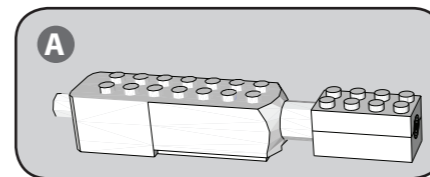
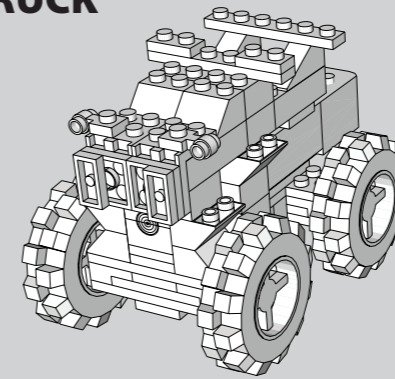
**MONSTER TRUCK:** Monster Truck shows began in the 80's, when an event promoter saw field test footage of a truck driving over cars.



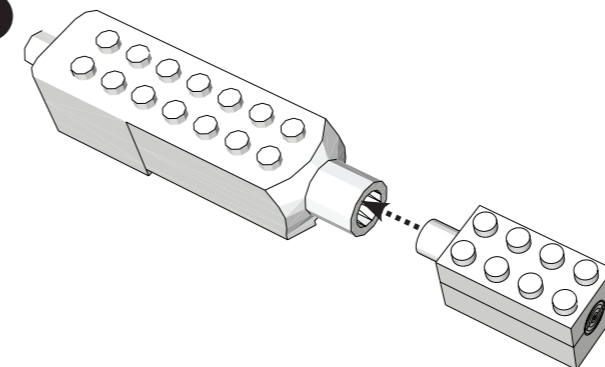
## MONSTER TRUCK

Model  
Difficulty  
Level

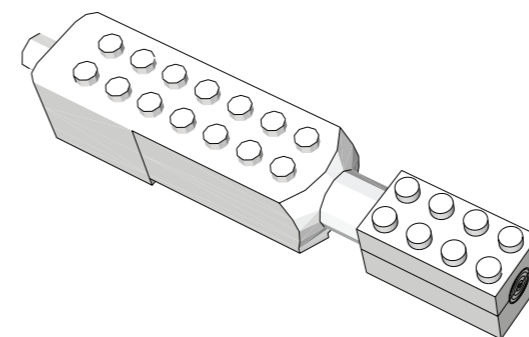
**3**



STEP  
**1**



STEP  
**2**



### Environmental Phenomena

\*The unit may malfunction if subjected to radio-frequency interference. It SHOULD revert to normal operation when the interference stops. If not, it may become necessary to turn the power off and back on, or remove and reinstall the batteries.

\*In the unlikely event of an electrostatic discharge, the unit may malfunction and lose memory, requiring the user to reset the device by removing and reinstalling the batteries.



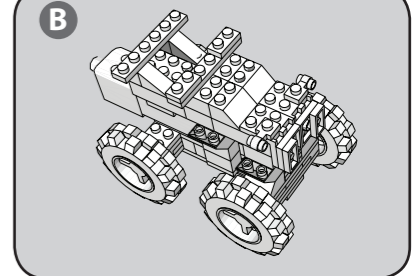
COMBINE  
PARTS



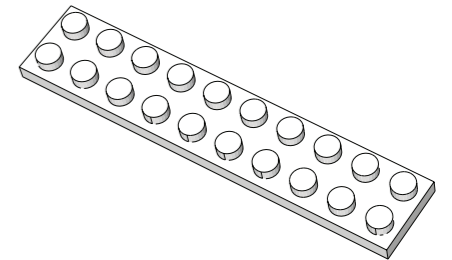
FLIP MODEL  
OVER



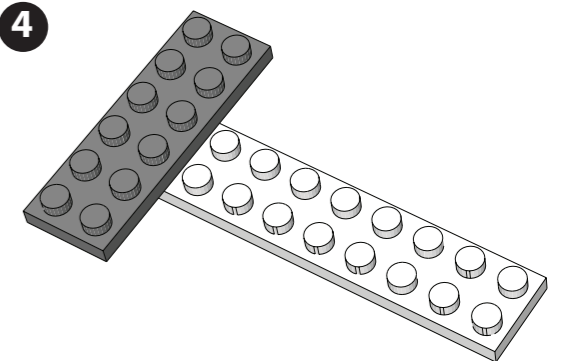
ROTATE  
MODEL



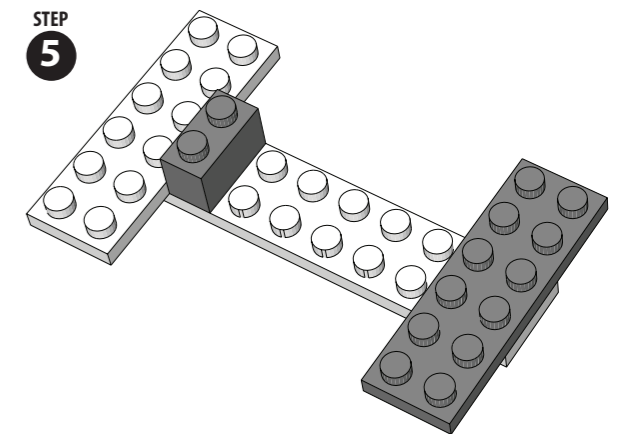
STEP  
**3**



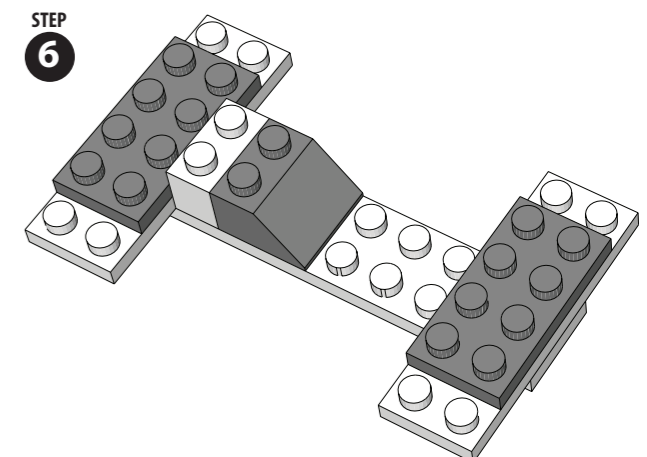
STEP  
**4**



STEP  
**5**

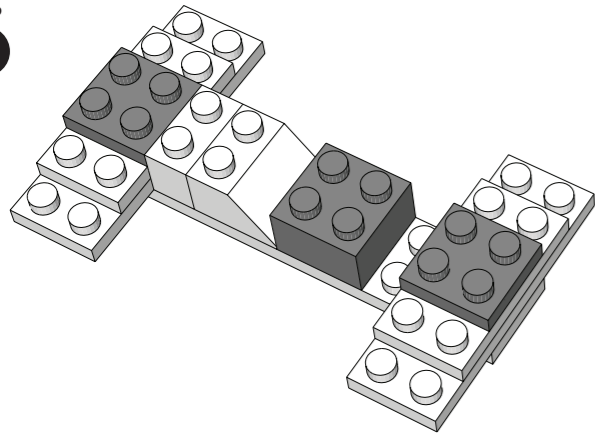


STEP  
**6**

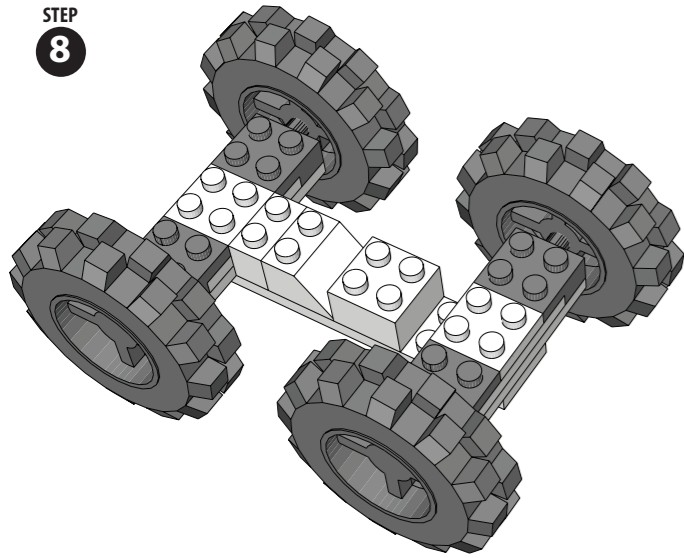




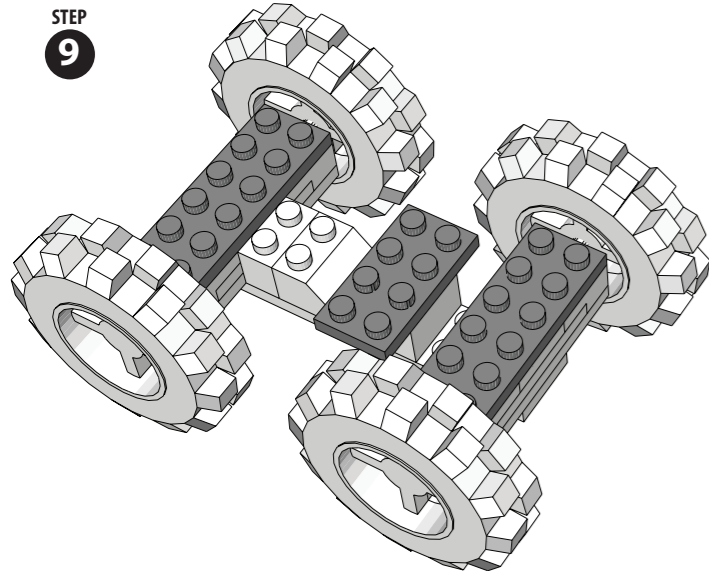
STEP  
7



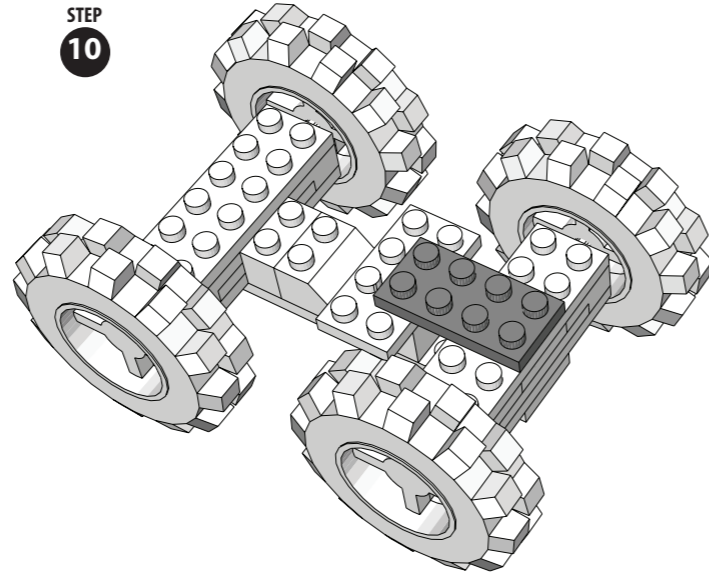
STEP  
8



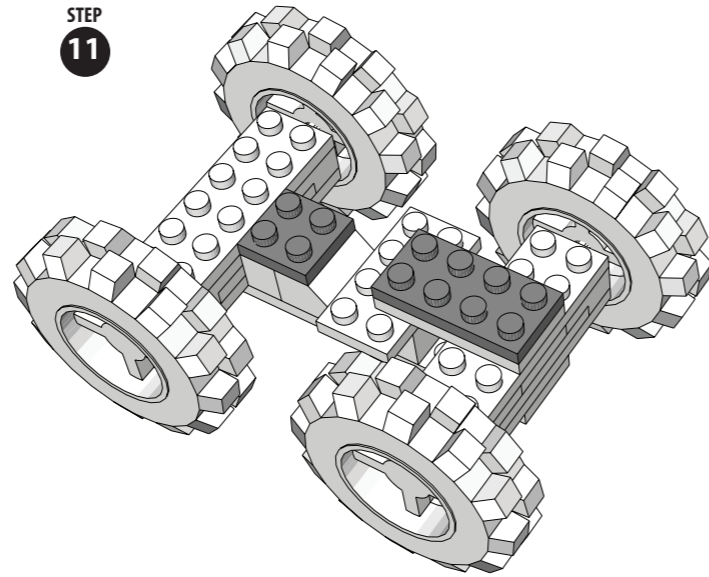
STEP  
9



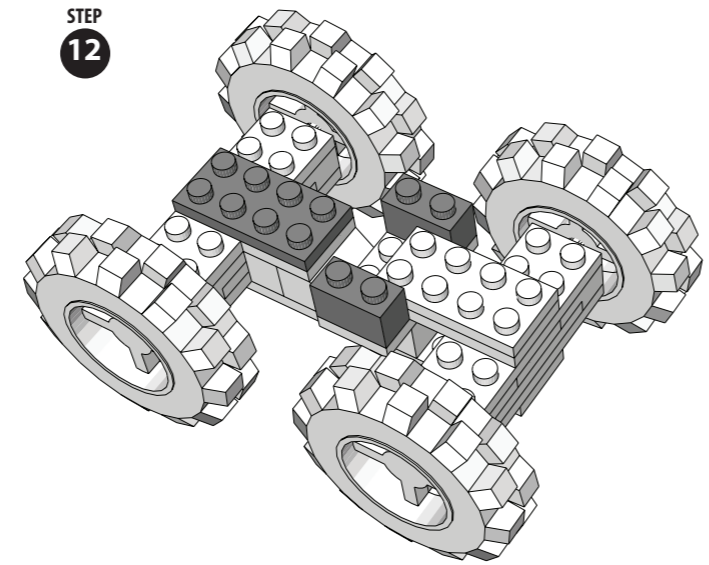
STEP  
10



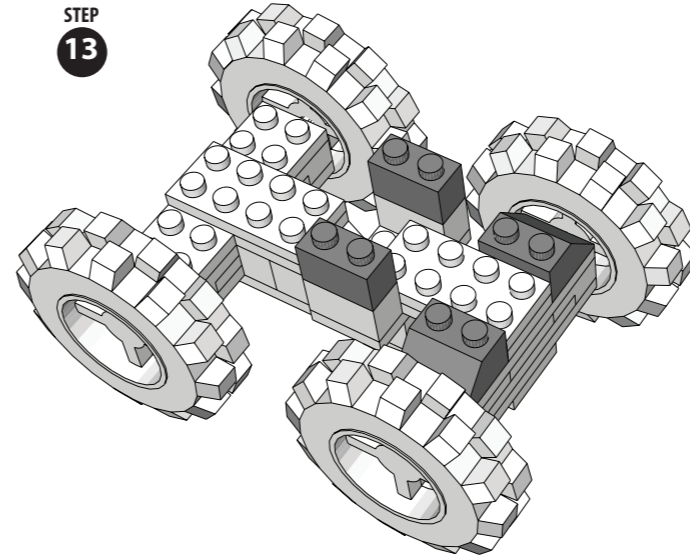
STEP  
11



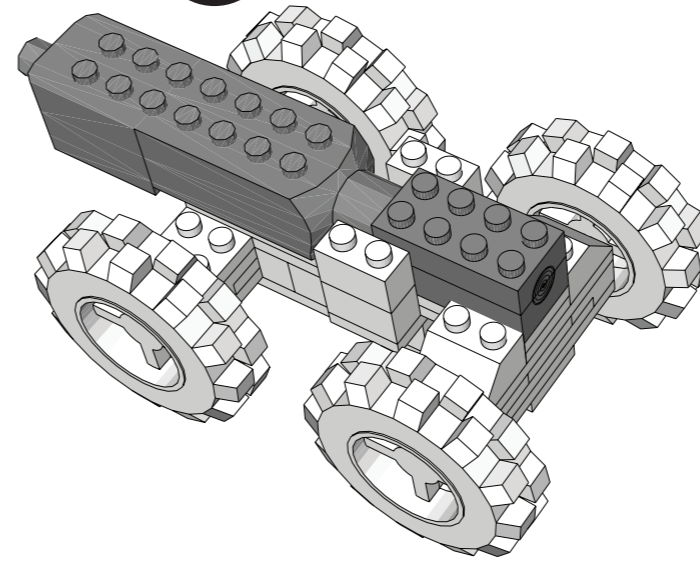
STEP  
12



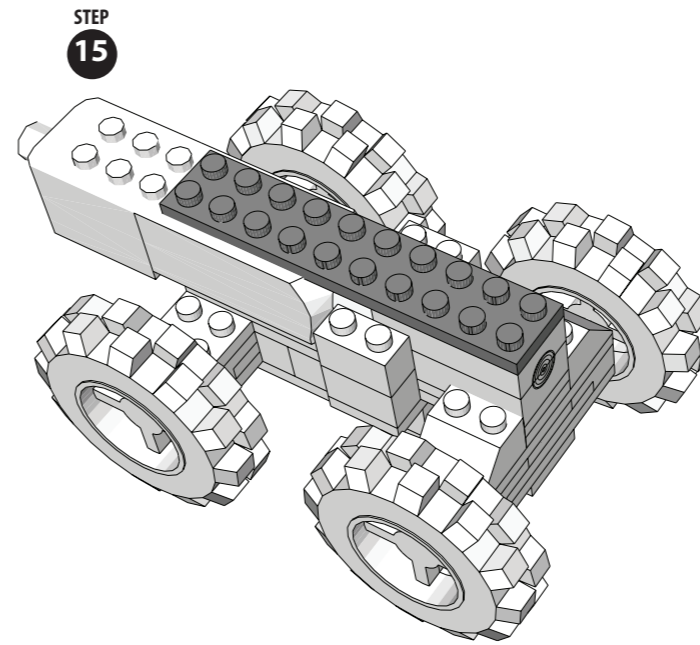
STEP  
13



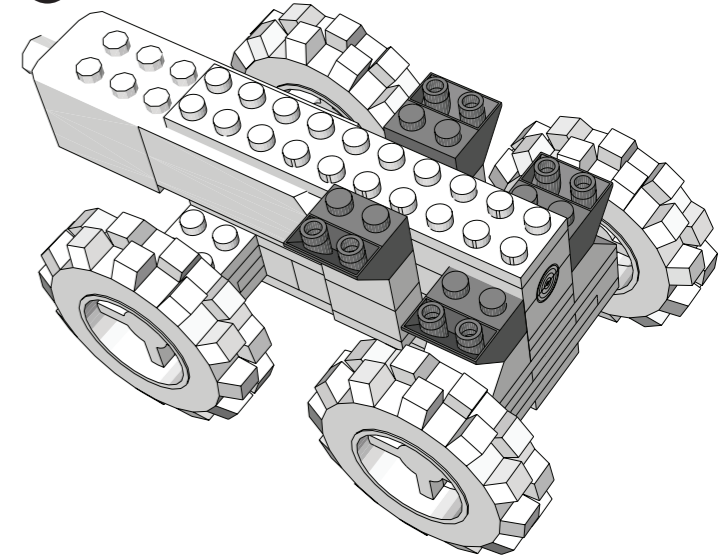
STEP  
14



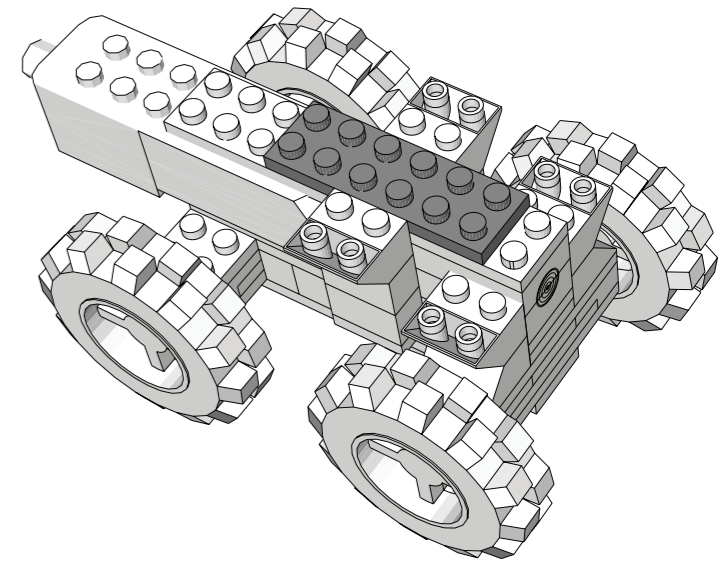
STEP  
15



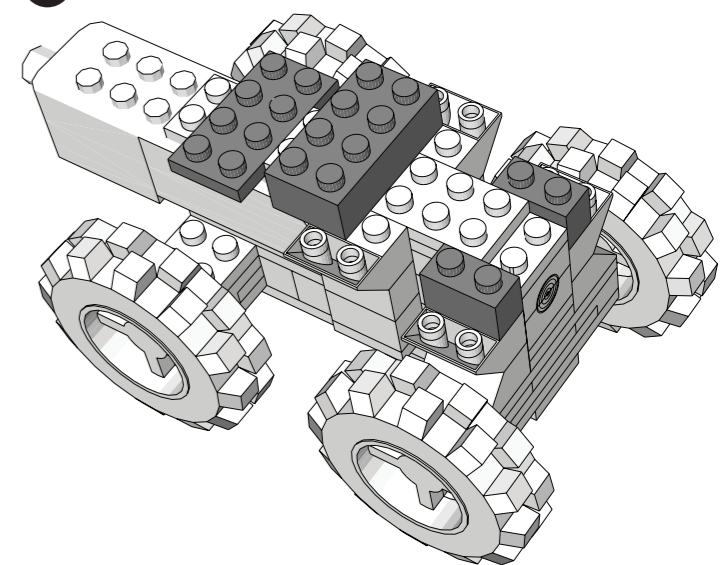
STEP  
16



STEP  
17

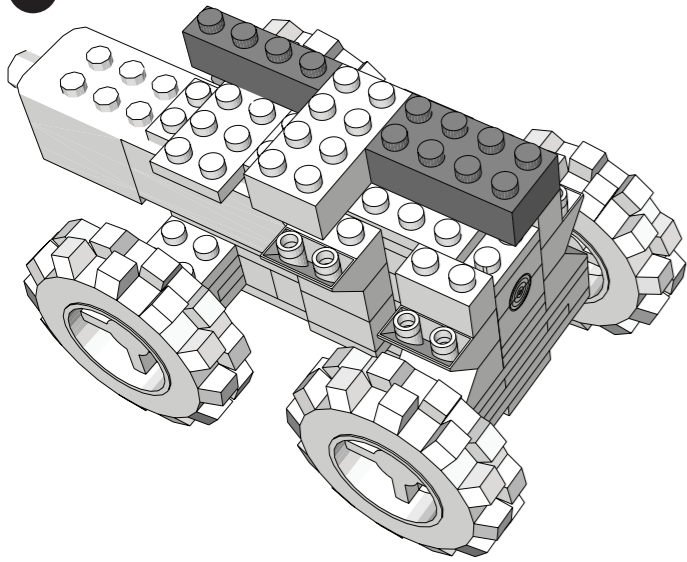


STEP  
18

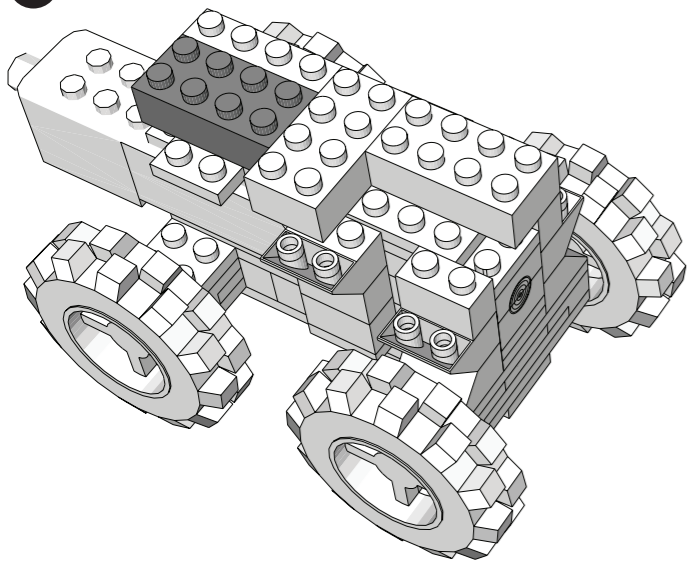




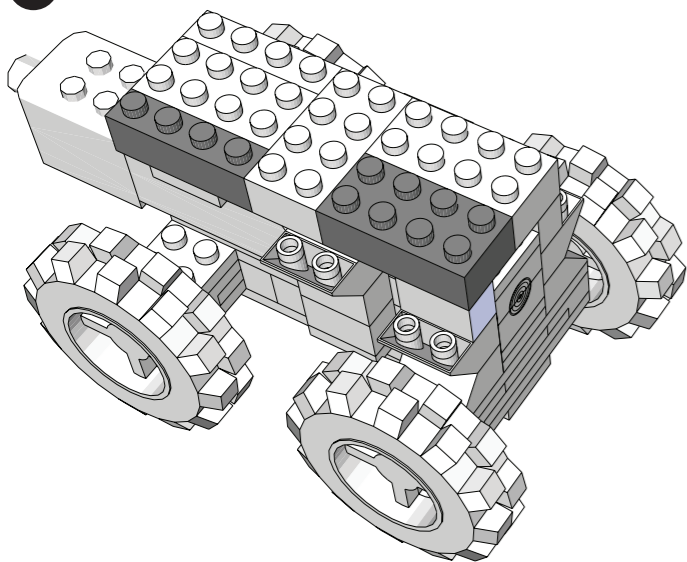
STEP  
19



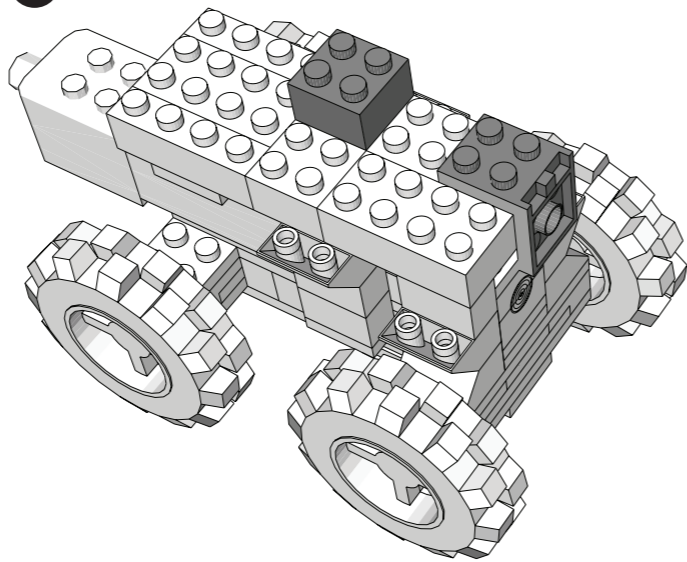
STEP  
20



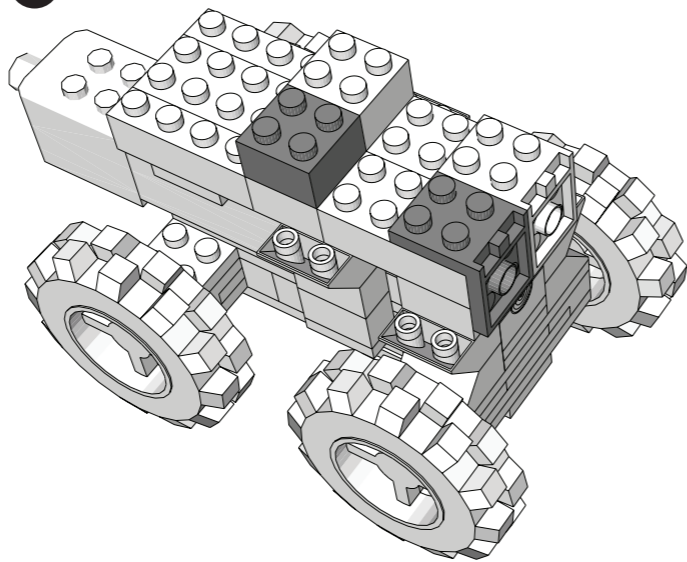
STEP  
21



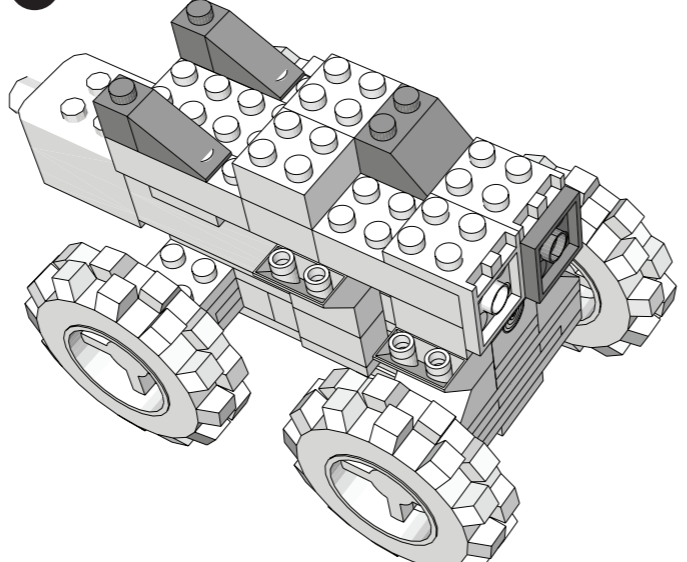
STEP  
22



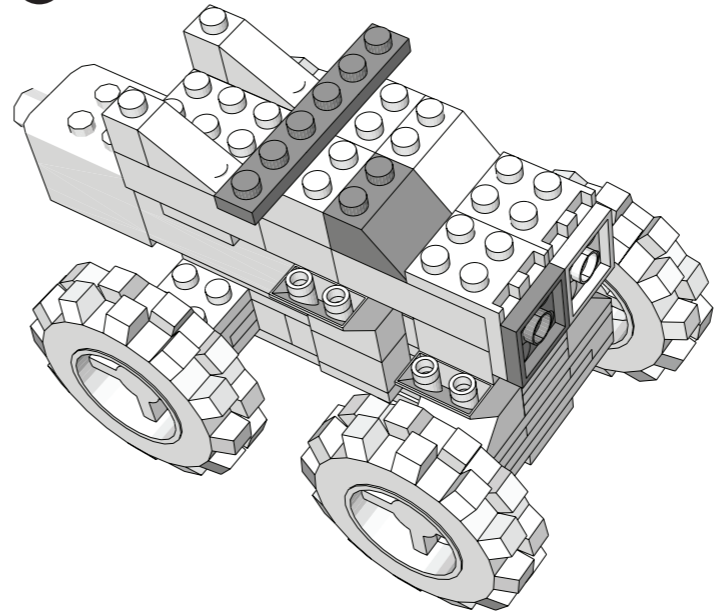
STEP  
23



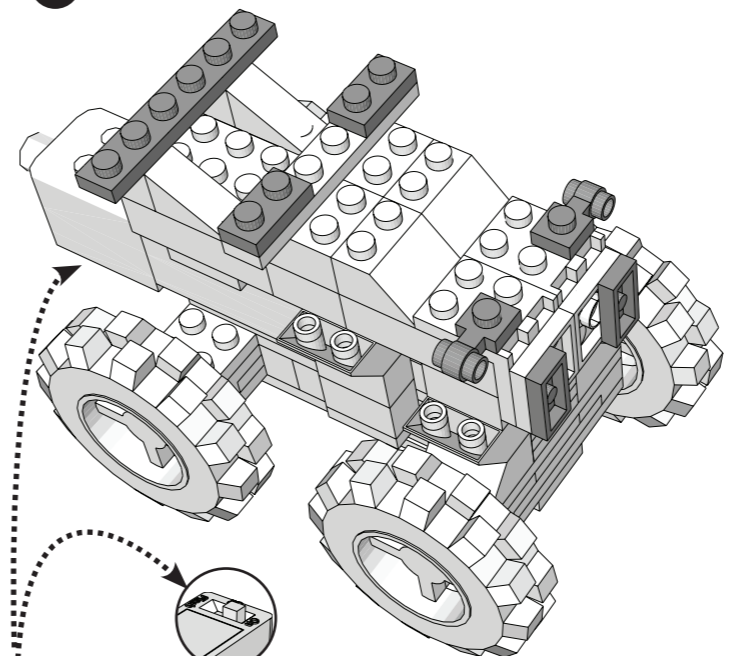
STEP  
24



STEP  
25



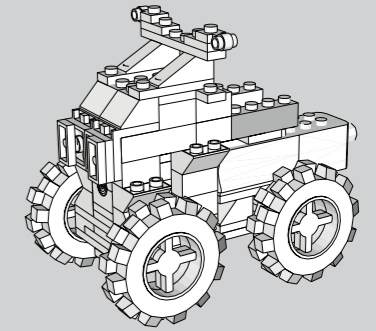
STEP  
26



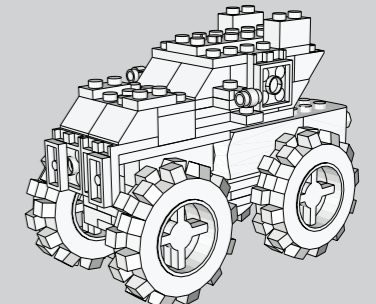
Slide the switch to Light It Up

### MODEL INSTRUCTIONS

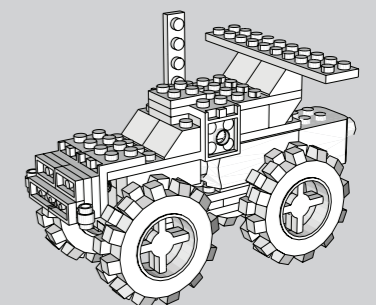
All additional model instructions can be downloaded at [www.LaserPegs.com](http://www.LaserPegs.com)



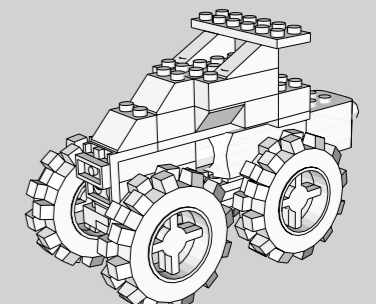
ALL TERRAIN ROVER



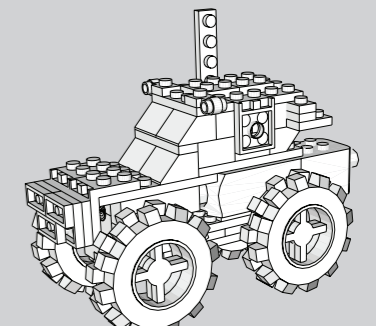
MUD BOG RACER



PRO STOCK PULLER



ROCK CLIMBER



TROPHY TRUCK

[www.LaserPegs.com](http://www.LaserPegs.com)

Copyright 2014 © All Rights Reserved Global & Multiple Patents Pending.  
US Patent #7,731,558

Laser Pegs® CARES  
Questions? Comments?  
For additional compliance info:  
1-866-432-3735  
Contact: [Support@LaserPegs.com](mailto:Support@LaserPegs.com)



# LASER PEGS®

The Ultimate Construction Toy For Kids®

**ZD 110B MONSTER TRUCK**  
AGES 5+  
6 Models+  
Any creation you can build

**LIGHTED**  
CONSTRUCTION SET INCLUDES:

- 1 Laser Pegs®
- 66 Tinted Bricks
- Zippy Do® Power Base
- Instruction Manual

Please read this manual before you begin! Failure to follow this manual's instructions may result in damage to the Zippy Do® Power Base and/or the Zippy Do® pieces. Not adhering to these instructions will void the manufacturer's warranty. The packaging must be kept because it contains important information.

**WARNING: CHOKING HAZARD**-Small parts. Not for children under 3 yrs. Do not submerge in water.

**WARNING: STROBE LIGHTS** MAY CAUSE SEIZURES

Requires 3-LR44 Batteries **DO NOT SUBMERGE IN WATER**

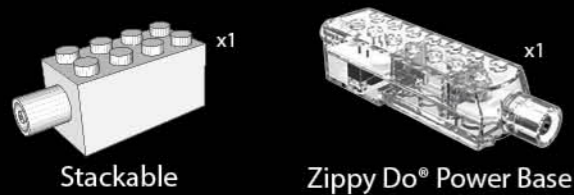


EN71, RoHS COMPLIANT

This product complies to all safety requirements of ASTM F 963

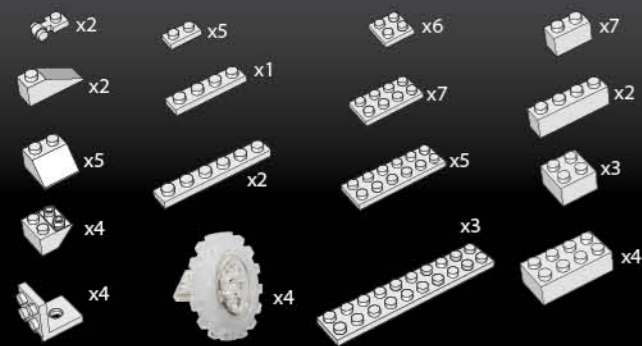


## Laser Pegs® Parts List



The toy is not to be connected to more than the recommended number of power supplies

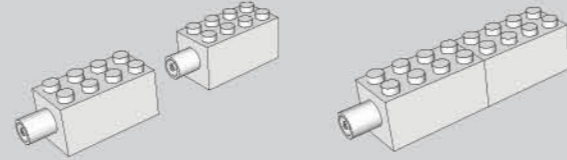
## Tinted Bricks List



[www.LaserPegs.com](http://www.LaserPegs.com)

This manual is copyright and cannot be reproduced or used online without Laser Pegs® Ventures LLC permission. Copyright 2014 © All Rights Reserved US Patent #7,731,558 Additional Global & Multiple Patents Pending. Laser Pegs® Ventures LLC. 8304 Consumer Ct Sarasota FL. 34240. Contact: Support@LaserPegs.com

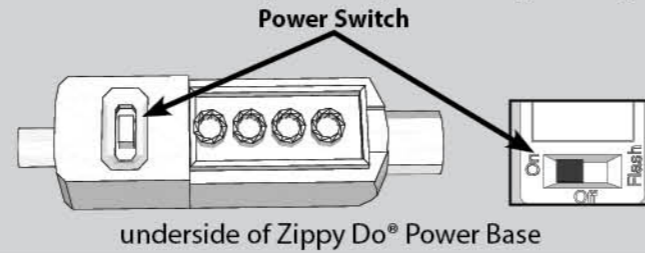
## Connecting Pegs



To construct with Laser Pegs®, slide two pieces together to form a connection. Slide each piece on and off smoothly. (Laser Pegs® pieces sold separately).

\*To avoid short-circuits, keep metal objects and other unauthorized materials from obstructing the peg holes.

**Slide Power Switch to turn on/off/flash**  
Slide Power Switch to cycle through different light settings.



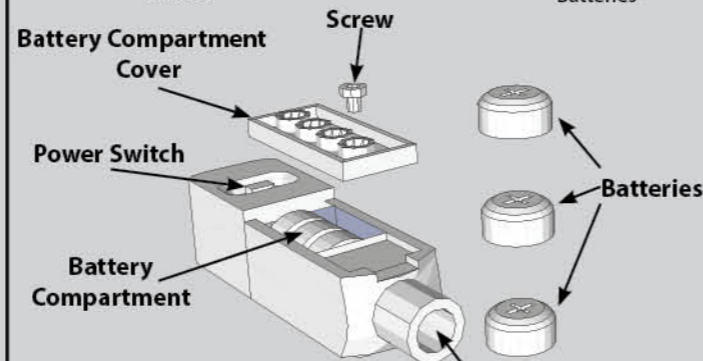
This Product contains a button battery. If swallowed, it could cause severe injury or death in just 2 hours. Seek medical attention immediately.

## Replacing Batteries

1. Remove the Phillips head screw.
2. Remove the Battery Compartment Cover.
3. Place three (3) LR44 batteries in the correct position. (Batteries are to be inserted with the correct polarity).
4. Replace the Battery Compartment Cover.
5. Replace the Phillips head screw.
6. Slide Power Switch to turn on!
7. Do not mix old and new batteries.
8. Do not mix alkaline, standard (carbon-zinc), or rechargeable (nickel-cadmium, NiMH) batteries!
9. Exhausted batteries are to be removed from the power base.
10. Batteries should be recycled or disposed of as per state and local guidelines.
11. Non-rechargeable batteries are not to be recharged.
12. Rechargeable batteries are only to be recharged under adult supervision.
13. Rechargeable batteries are to be removed from the toy before being recharged.
14. The supply terminals are not to be short-circuited.
15. Do NOT throw batteries into fire!

Remove the Phillips head screw with a 4mm screw driver.

Requires 3-LR44 Button Cell Batteries



**BATTERIES ARE TO BE INSERTED INTO THE TOY BY AN ADULT ONLY!**

Connects to other Laser Pegs® pieces

**ONLY ADULTS SHOULD INSTALL THE BATTERIES**

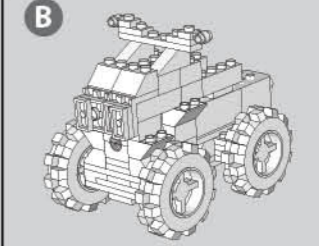
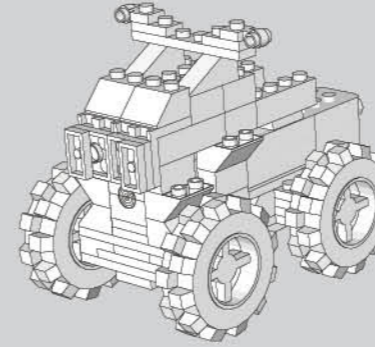
ALL TERRAIN ROVER: A large vehicle with big wheels designed to use on rough ground.



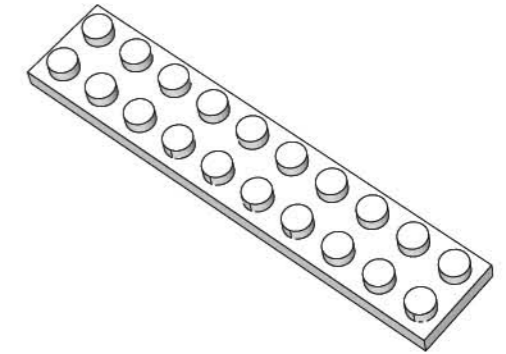
## ALL TERRAIN ROVER

Model Difficulty Level

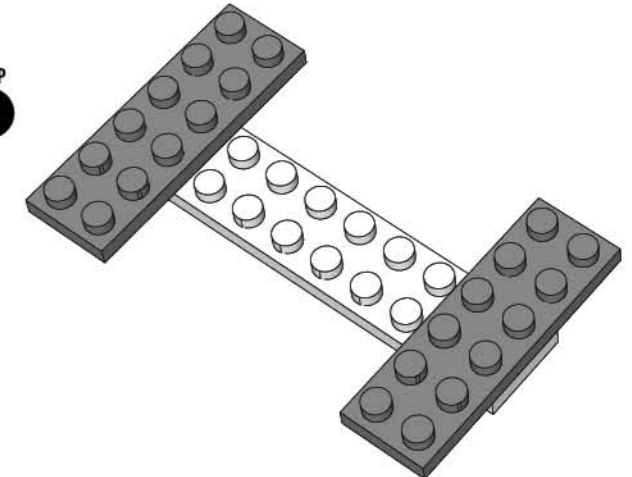
**3**



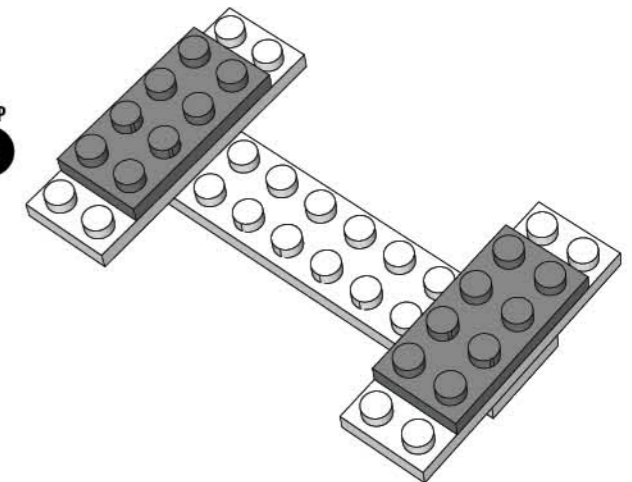
STEP 3



STEP 4

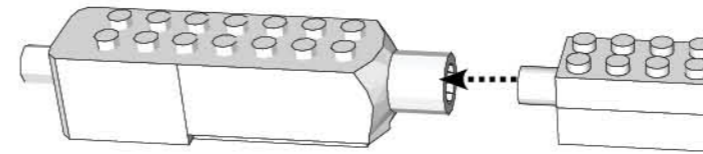


STEP 5

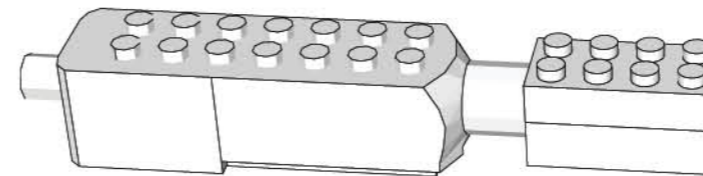


Laser Pegs® CARES  
Questions? Comments?  
For additional compliance info:  
1-866-432-3735  
Contact: Support@LaserPegs.com

STEP 1



STEP 2



COMBINE PARTS



FLIP MODEL OVER



ROTATE MODEL

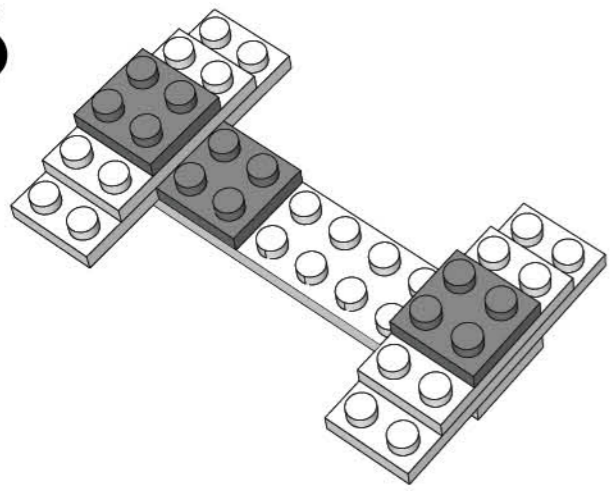
### Environmental Phenomena

\* The unit may malfunction if subjected to radio-frequency interference. It SHOULD revert to normal operation when the interference stops. If not, it may become necessary to turn the power off and back on, or remove and reinstall the batteries.

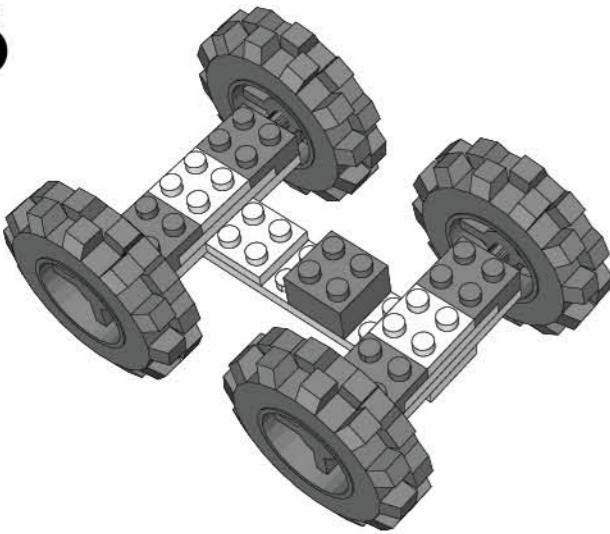
\* In the unlikely event of an electrostatic discharge, the unit may malfunction and lose memory, requiring the user to reset the device by removing and reinstalling the batteries.



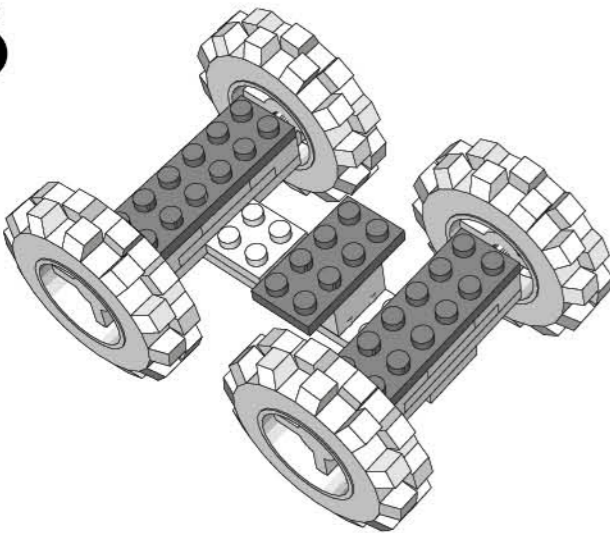
STEP 6



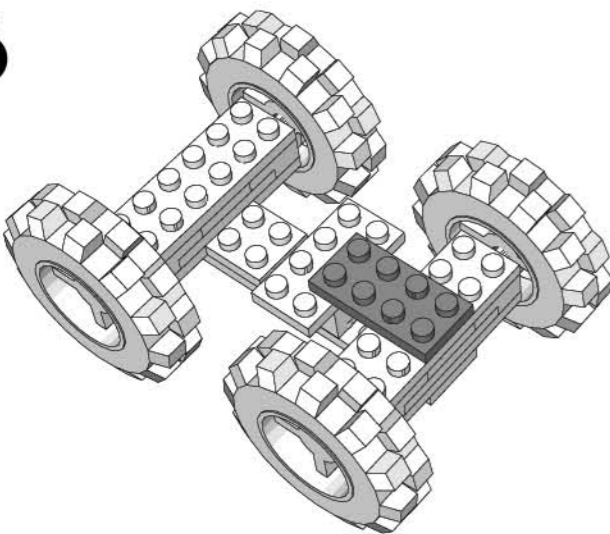
STEP 7



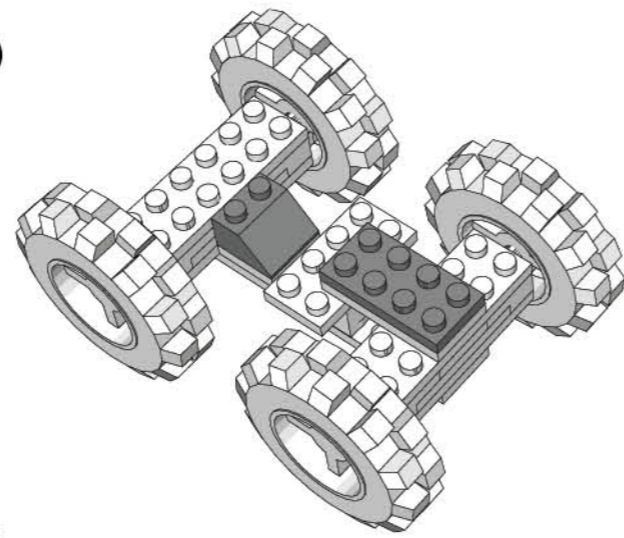
STEP 8



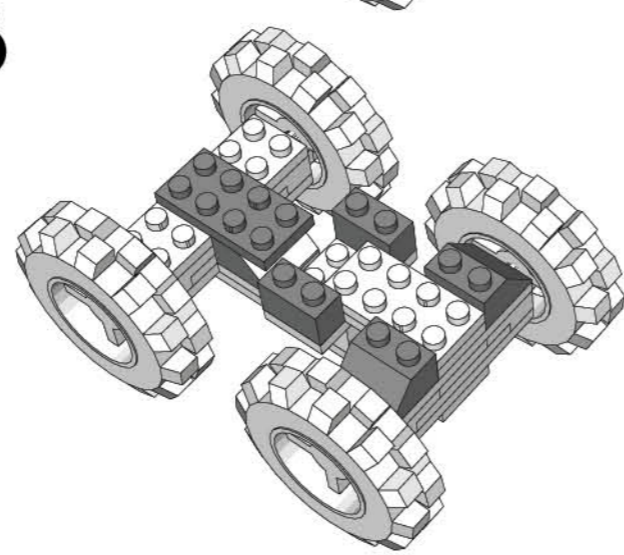
STEP 9



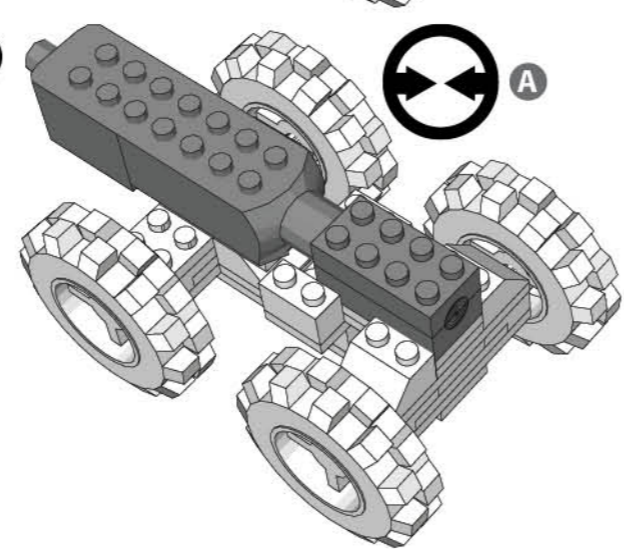
STEP 10



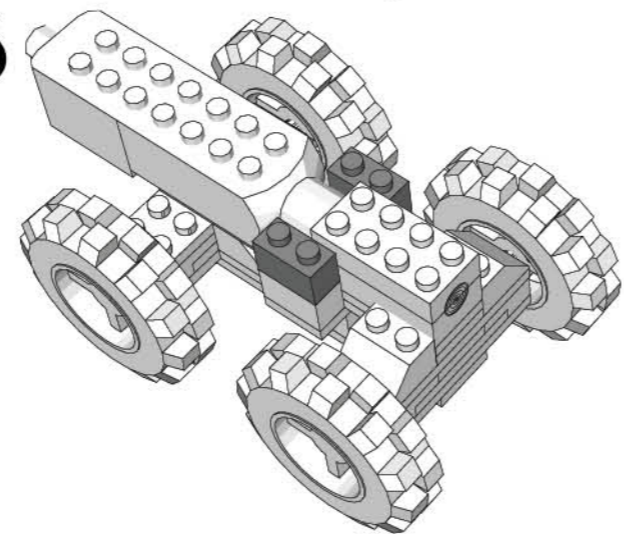
STEP 11



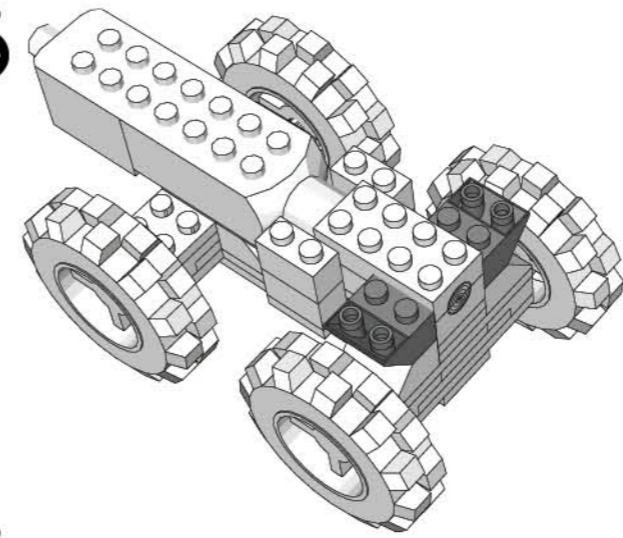
STEP 12



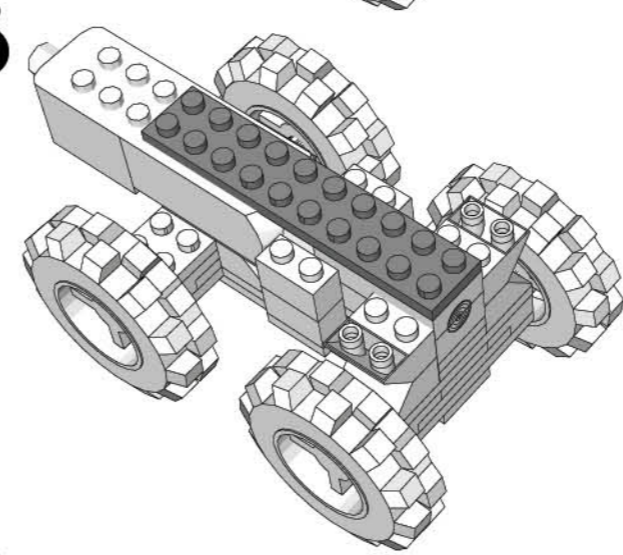
STEP 13



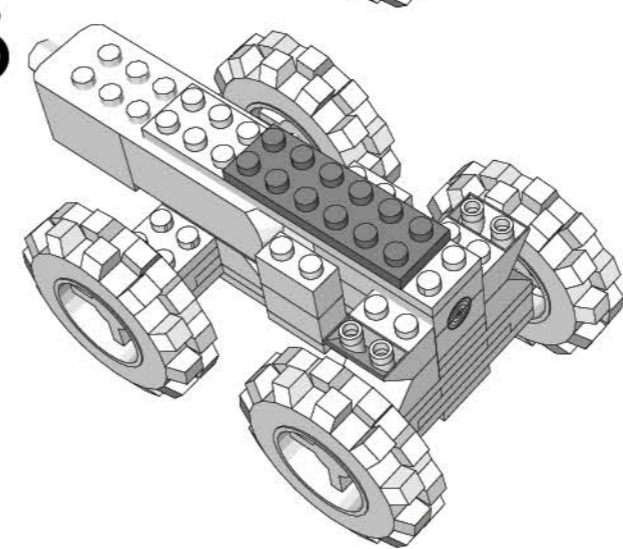
STEP 14



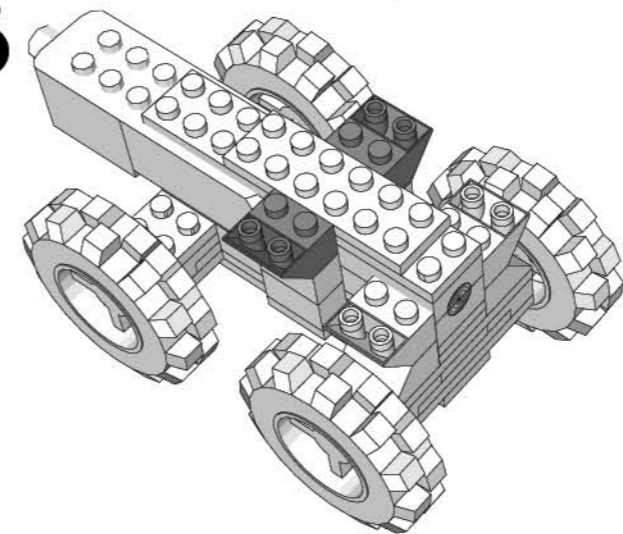
STEP 15



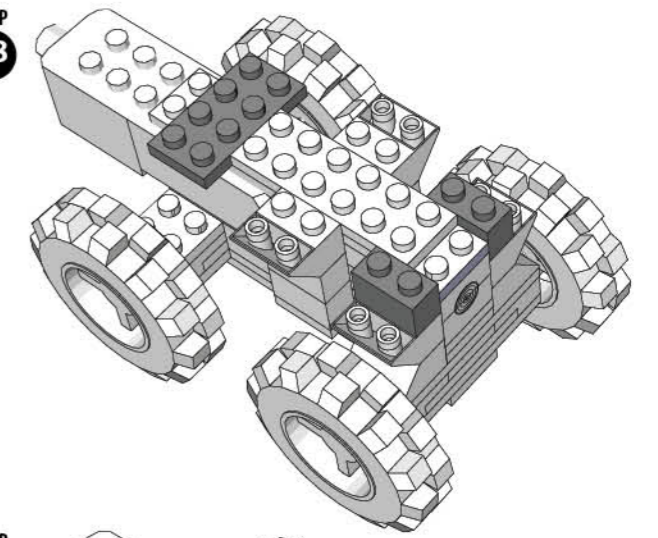
STEP 16



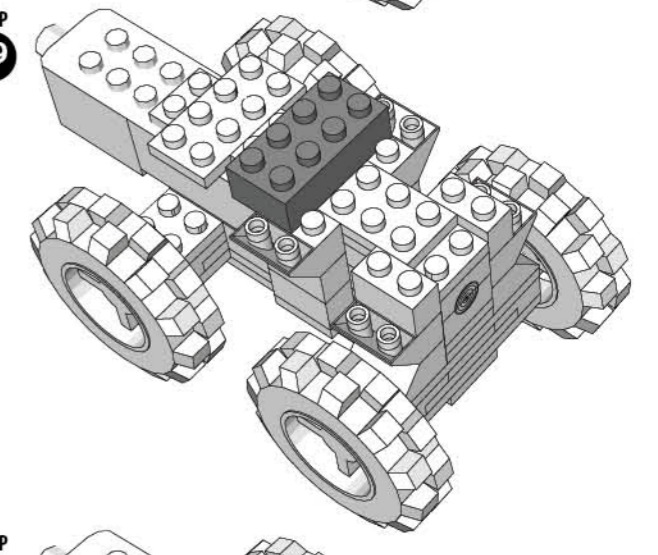
STEP 17



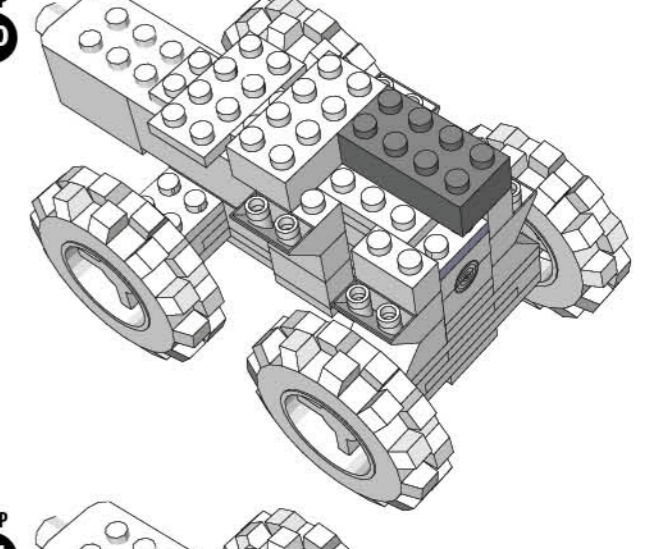
STEP 18



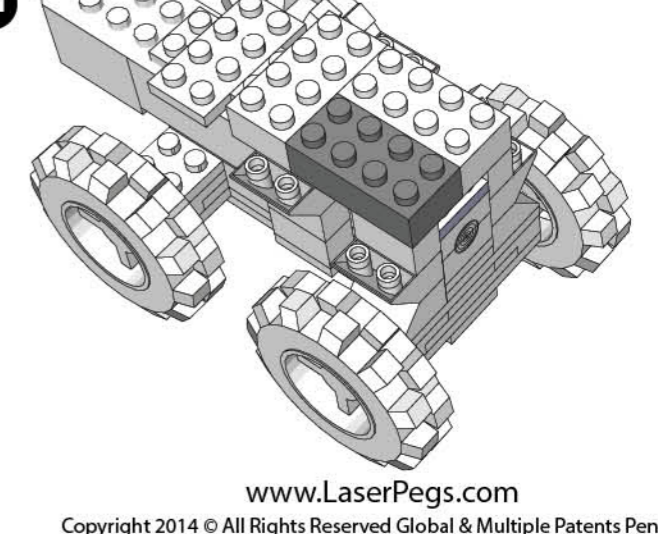
STEP 19



STEP 20

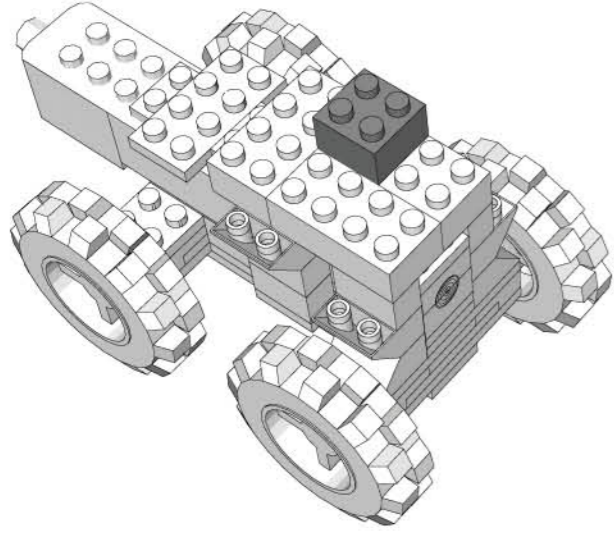


STEP 21

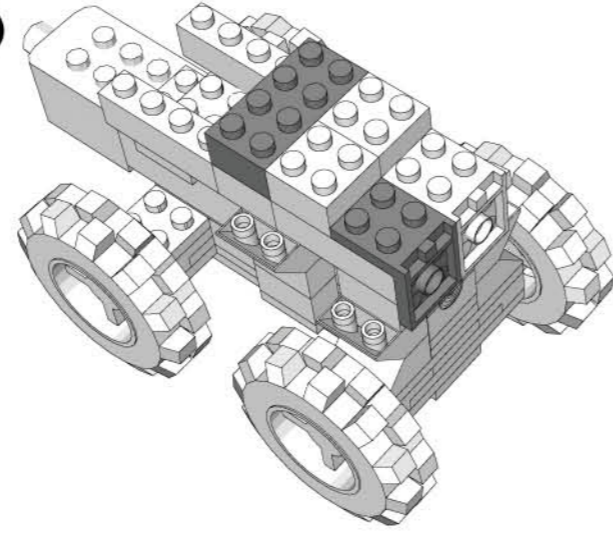




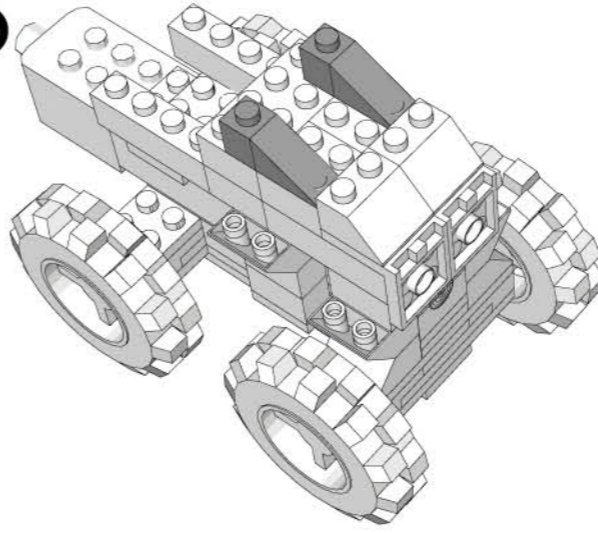
STEP  
22



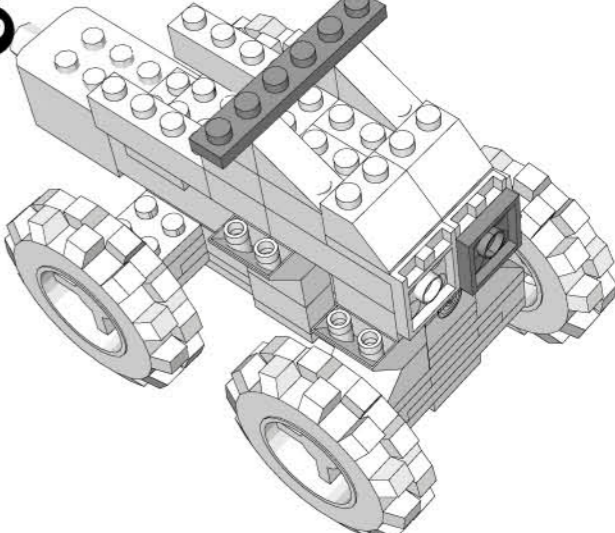
STEP  
25



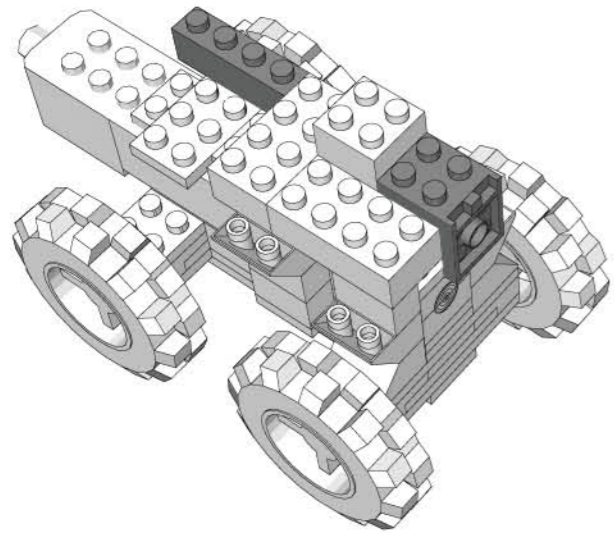
STEP  
28



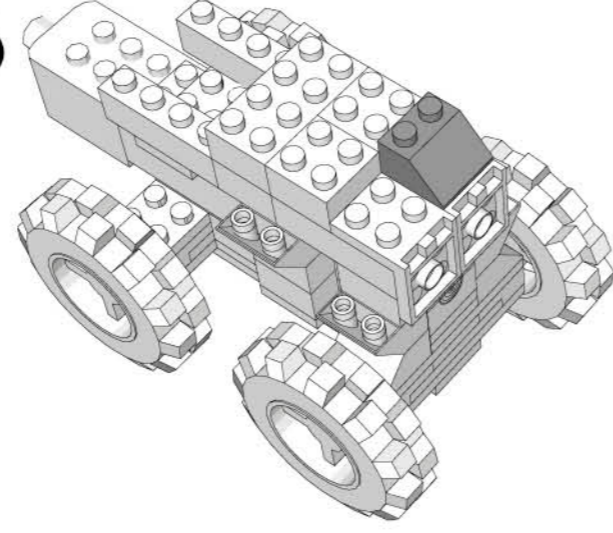
STEP  
29



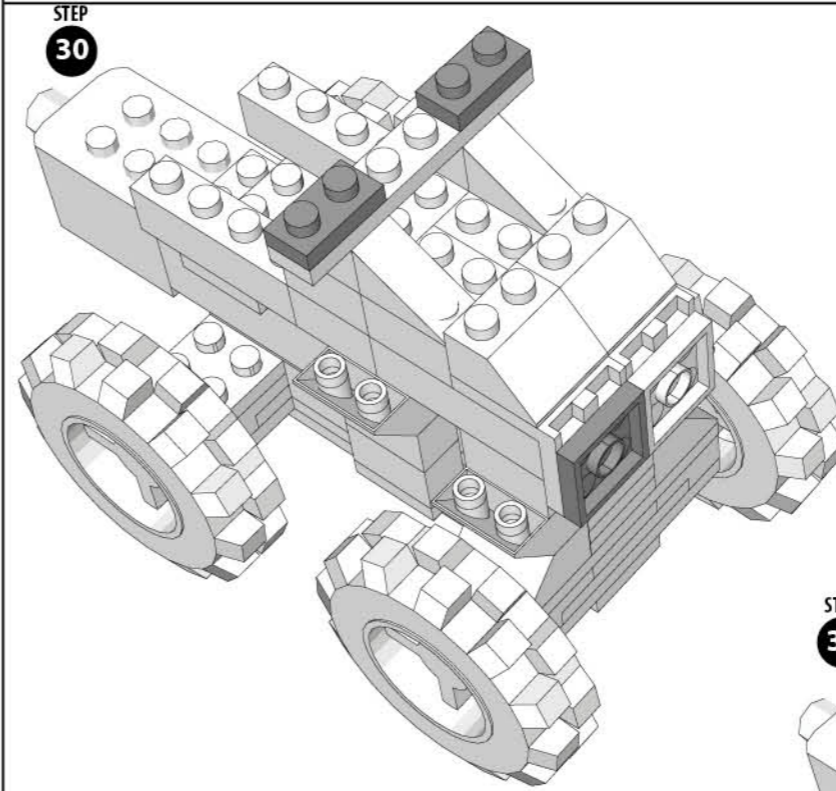
STEP  
23



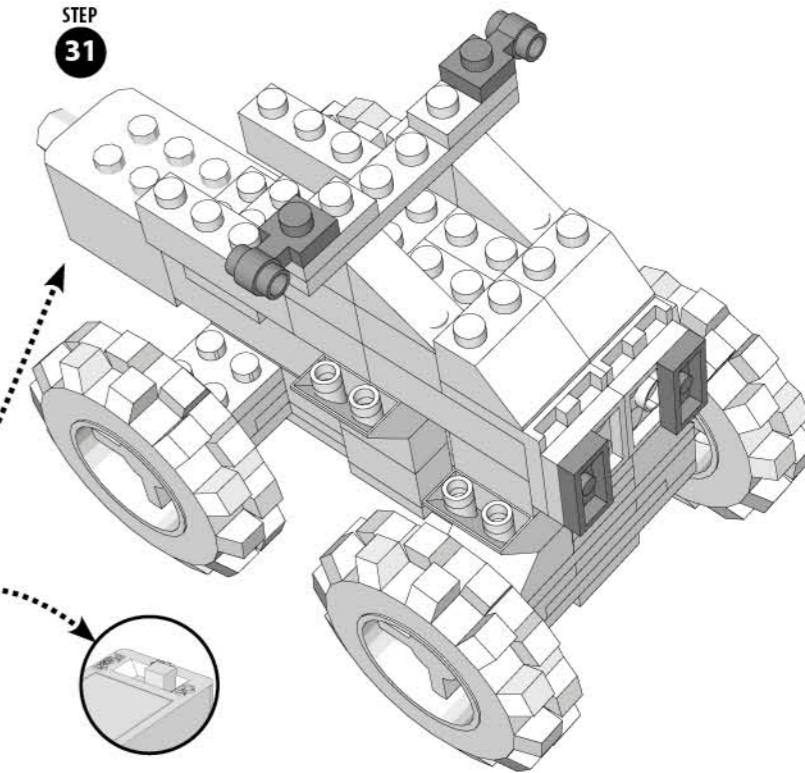
STEP  
26



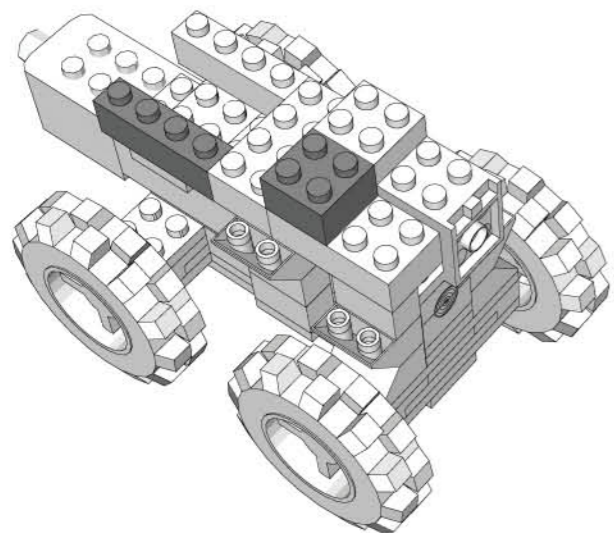
STEP  
30



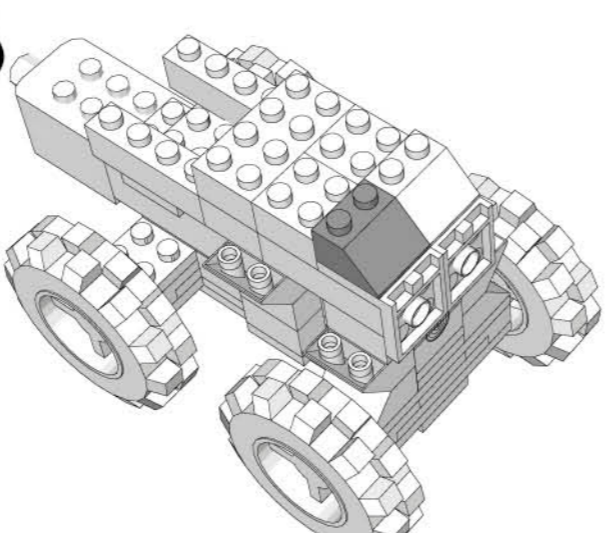
STEP  
31



STEP  
24



STEP  
27



Slide the switch to Light It Up

[www.LaserPegs.com](http://www.LaserPegs.com)

Copyright 2014 © All Rights Reserved Global & Multiple Patents Pending.  
US Patent #7,731,558



# LASER PEGS®

The Ultimate Construction Toy For Kids®

**ZD IIOB MONSTER TRUCK**  
AGES 5+  
6 Models+  
Any creation you can build

**LIGHTED**  
CONSTRUCTION SET INCLUDES:

- 1 Laser Pegs®
- 66 Tinted Bricks
- Zippy Do® Power Base
- Instruction Manual

Please read this manual before you begin! Failure to follow this manual's instructions may result in damage to the Zippy Do® Power Base and/or the Zippy Do® pieces. Not adhering to these instructions will void the manufacturer's warranty. The packaging must be kept because it contains important information.

**WARNING: CHOKING HAZARD**-Small parts. Not for children under 3 yrs. Do not submerge in water.

**WARNING: STROBE LIGHTS MAY CAUSE SEIZURES**

Requires 3-LR44 Batteries **DO NOT SUBMERGE IN WATER**

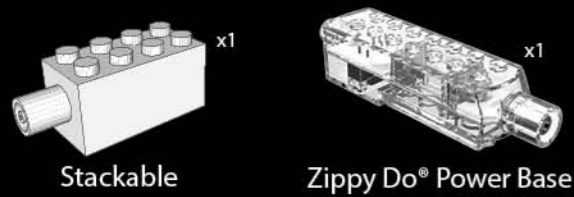


EN71, RoHS COMPLIANT

This product complies to all safety requirements of ASTM F 963

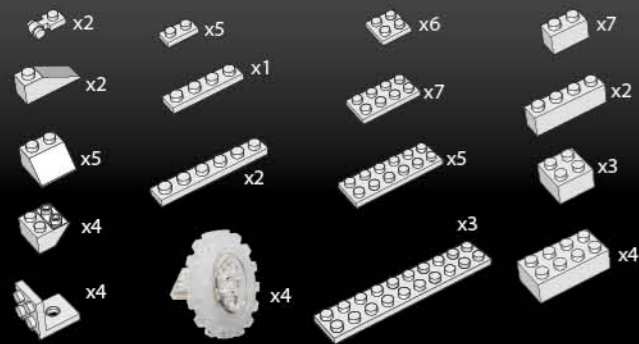


## Laser Pegs® Parts List



The toy is not to be connected to more than the recommended number of power supplies

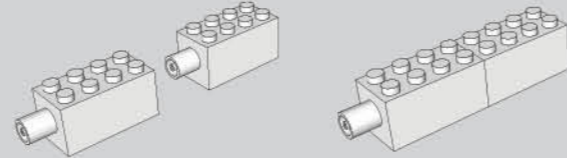
## Tinted Bricks List



[www.LaserPegs.com](http://www.LaserPegs.com)

This manual is copyright and cannot be reproduced or used online without Laser Pegs® Ventures LLC permission. Copyright 2014 © All Rights Reserved US Patent #7,731,558 Additional Global & Multiple Patents Pending. Laser Pegs® Ventures LLC. 8304 Consumer Ct Sarasota FL. 34240. Contact: Support@LaserPegs.com

## Connecting Pegs

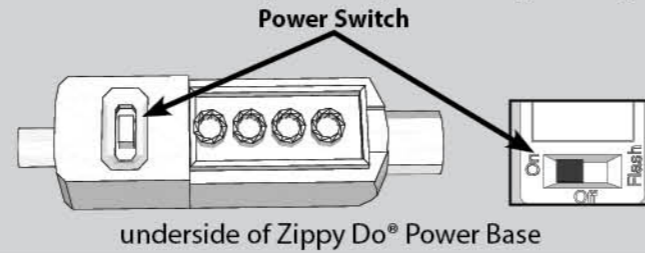


To construct with Laser Pegs®, slide two pieces together to form a connection. Slide each piece on and off smoothly. (Laser Pegs® pieces sold separately).

\*To avoid short-circuits, keep metal objects and other unauthorized materials from obstructing the peg holes.

## Slide Power Switch to turn on/off/flash

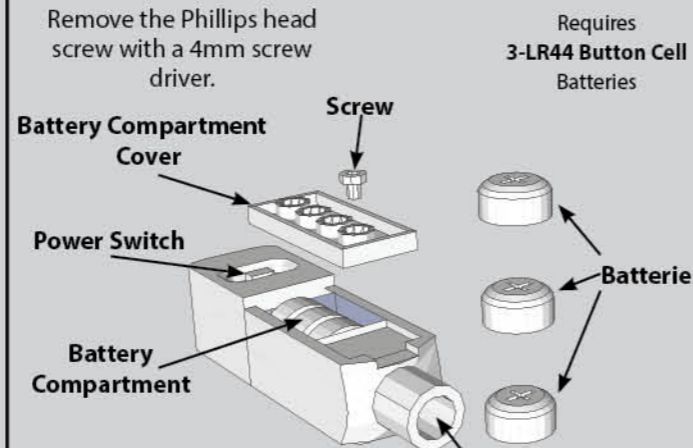
Slide Power Switch to cycle through different light settings.



This Product contains a button battery. If swallowed, it could cause severe injury or death in just 2 hours. Seek medical attention immediately.

## Replacing Batteries

1. Remove the Phillips head screw.
2. Remove the Battery Compartment Cover.
3. Place three (3) LR44 batteries in the correct position. (Batteries are to be inserted with the correct polarity).
4. Replace the Battery Compartment Cover.
5. Replace the Phillips head screw.
6. Slide Power Switch to turn on!
7. Do not mix old and new batteries.
8. Do not mix alkaline, standard (carbon-zinc), or rechargeable (nickel-cadmium, NiMH) batteries!
9. Exhausted batteries are to be removed from the power base.
10. Batteries should be recycled or disposed of as per state and local guidelines.
11. Non-rechargeable batteries are not to be recharged.
12. Rechargeable batteries are only to be recharged under adult supervision.
13. Rechargeable batteries are to be removed from the toy before being recharged.
14. The supply terminals are not to be short-circuited.
15. Do NOT throw batteries into fire!



**BATTERIES ARE TO BE INSERTED INTO THE TOY BY AN ADULT ONLY!**

ONLY ADULTS SHOULD INSTALL THE BATTERIES

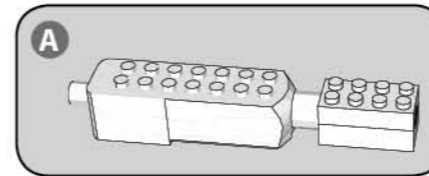
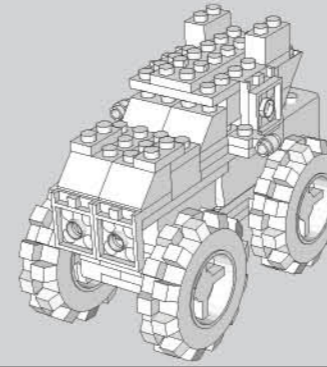
MUD BOG RACER: A four-wheel drive vehicle made to splash through deep mud pits.



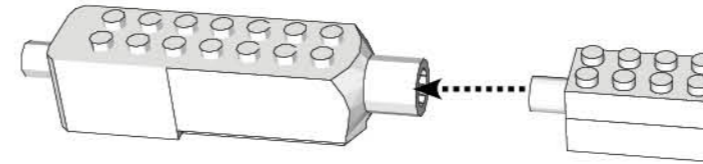
## MUD BOG RACER

Model Difficulty Level

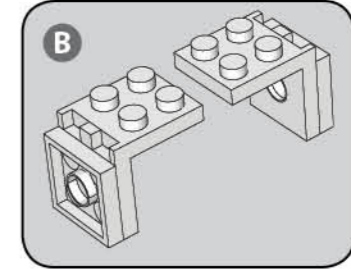
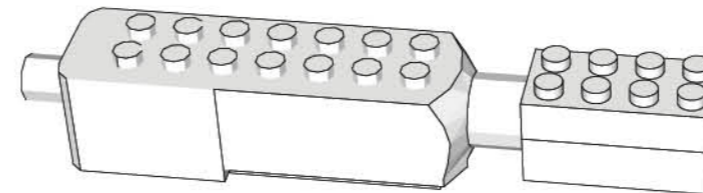
**3**



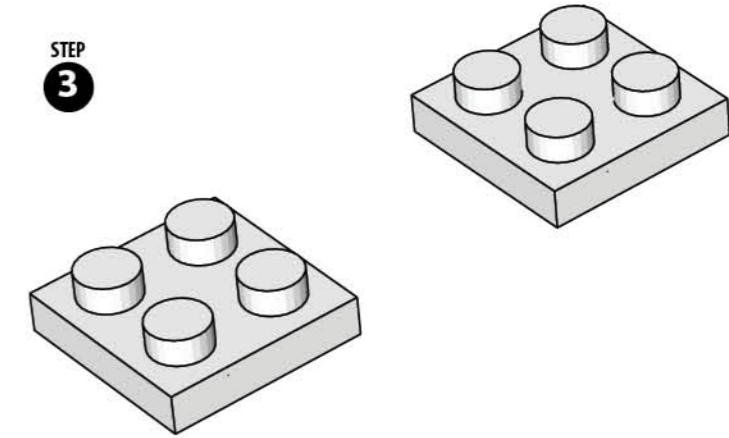
STEP 1



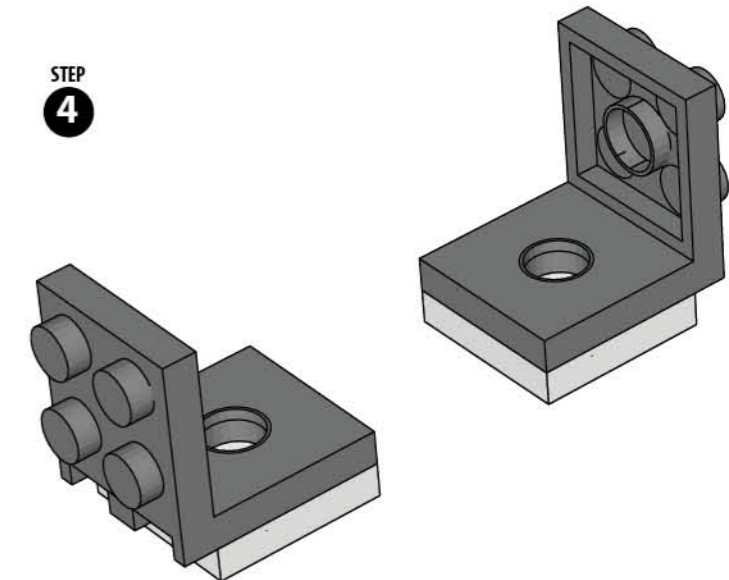
STEP 2



STEP 3



STEP 4



**Laser Pegs® CARES**  
Questions? Comments?  
For additional compliance info:  
1-866-432-3735  
Contact: Support@LaserPegs.com



COMBINE PARTS



FLIP MODEL OVER



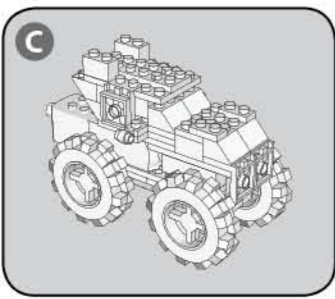
ROTATE MODEL

### Environmental Phenomena

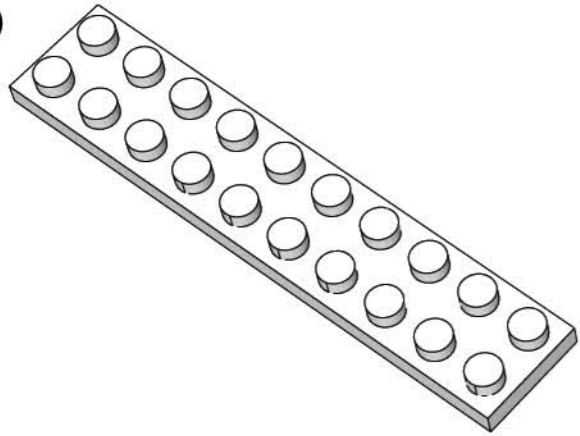
\* The unit may malfunction if subjected to radio-frequency interference. It SHOULD revert to normal operation when the interference stops. If not, it may become necessary to turn the power off and back on, or remove and reinstall the batteries.

\* In the unlikely event of an electrostatic discharge, the unit may malfunction and lose memory, requiring the user to reset the device by removing and reinstalling the batteries.

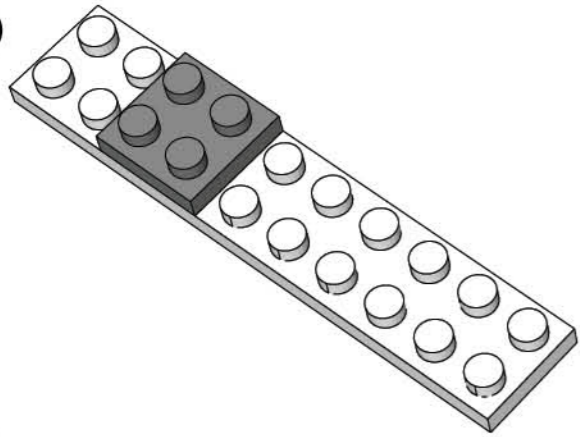




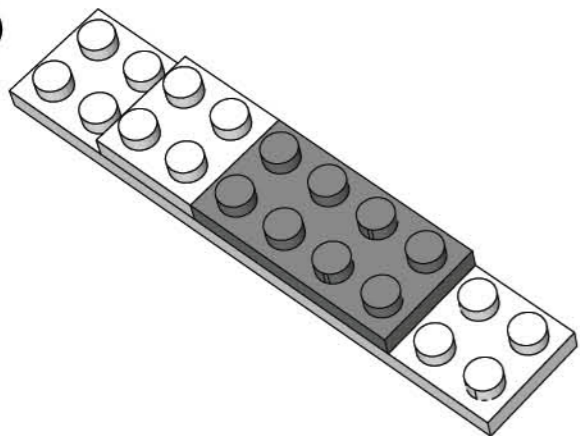
STEP 5



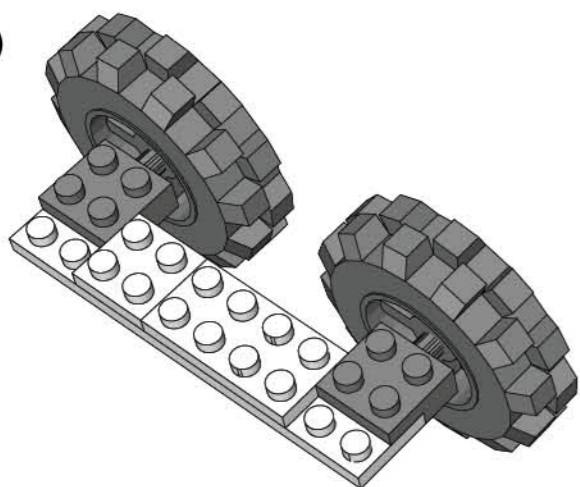
STEP 6



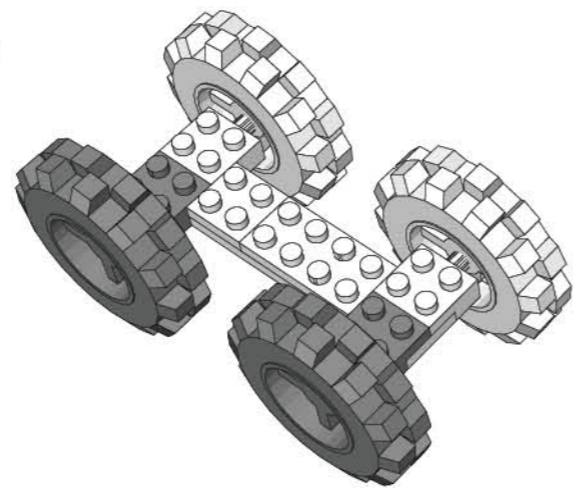
STEP 7



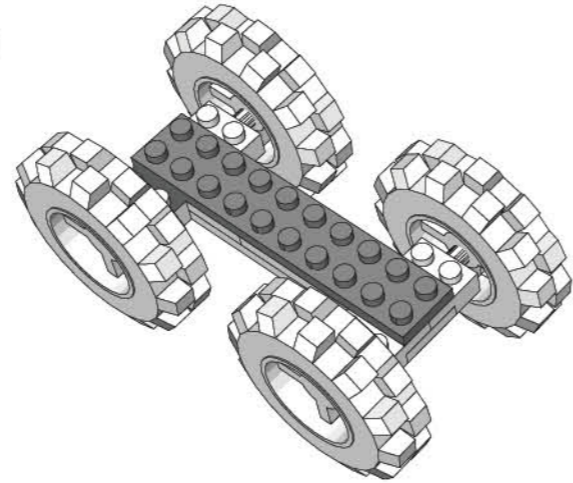
STEP 8



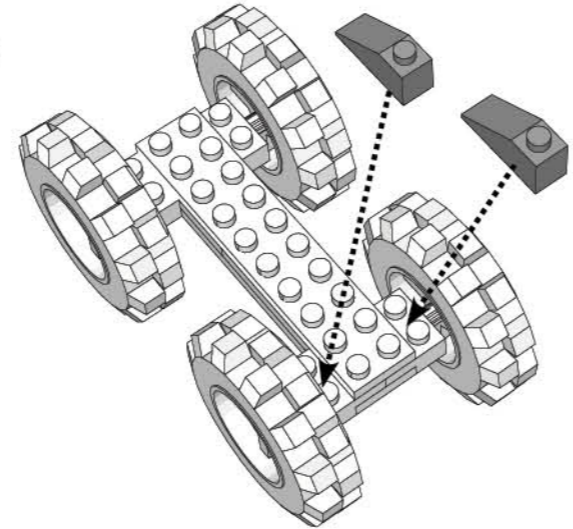
STEP 9



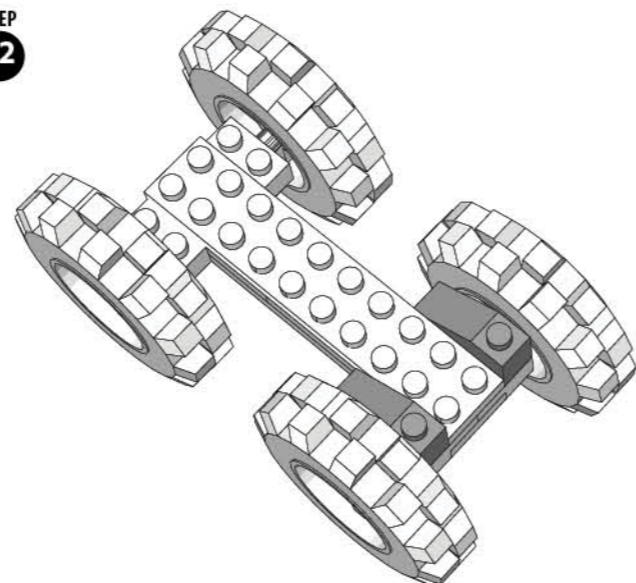
STEP 10



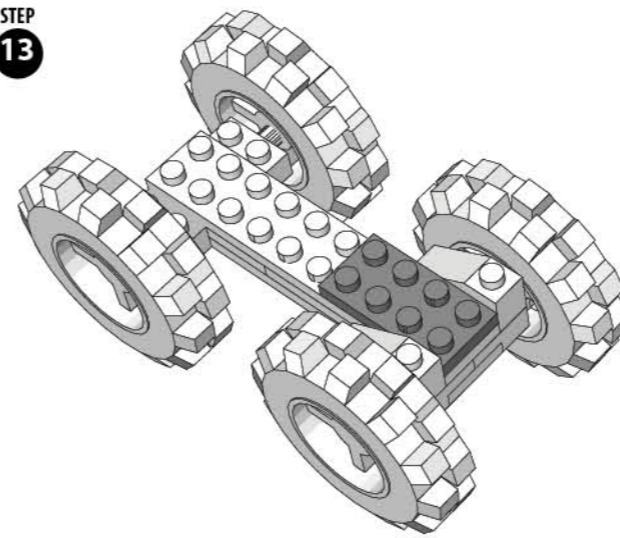
STEP 11



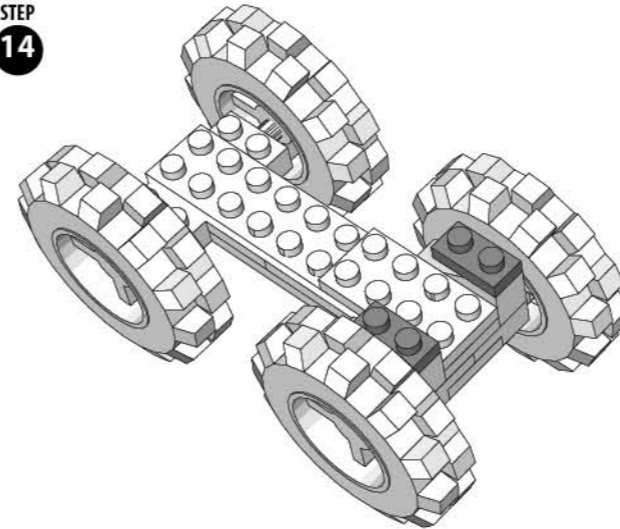
STEP 12



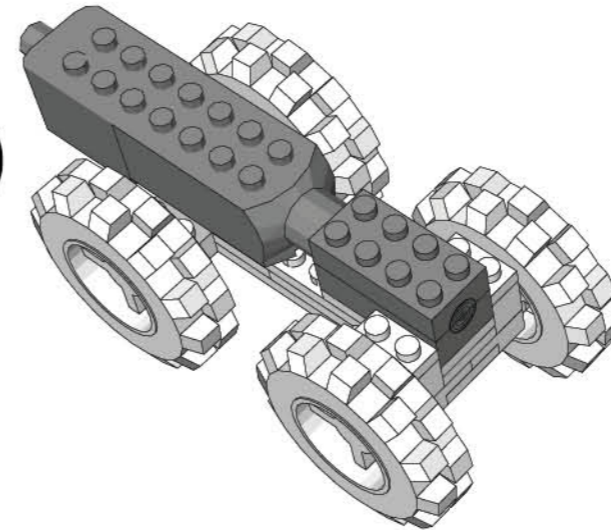
STEP 13



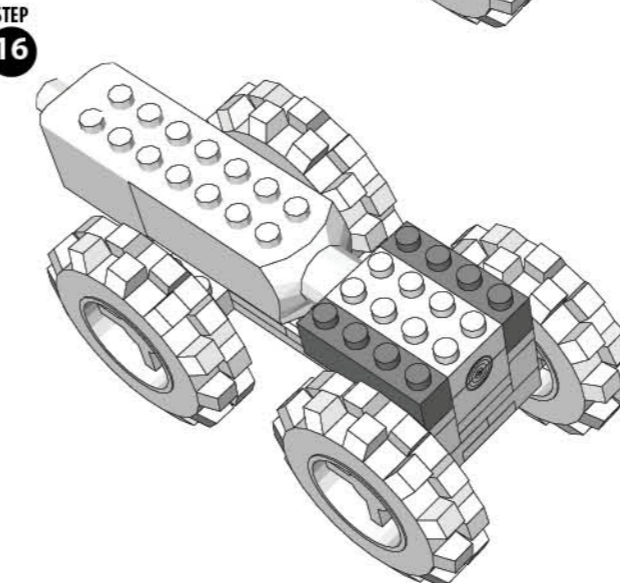
STEP 14



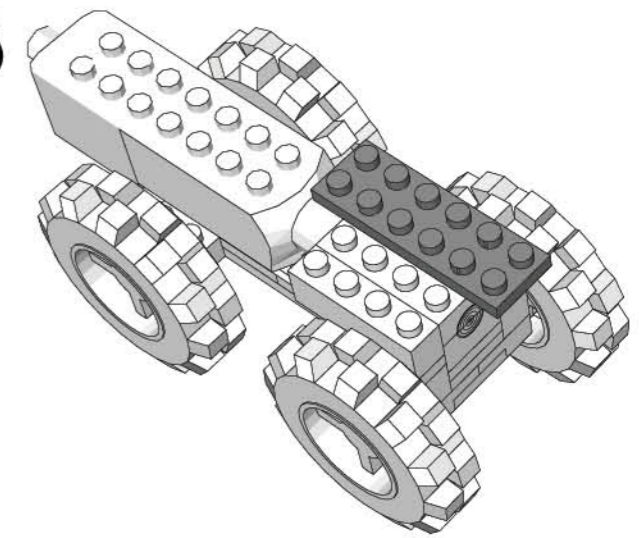
STEP 15



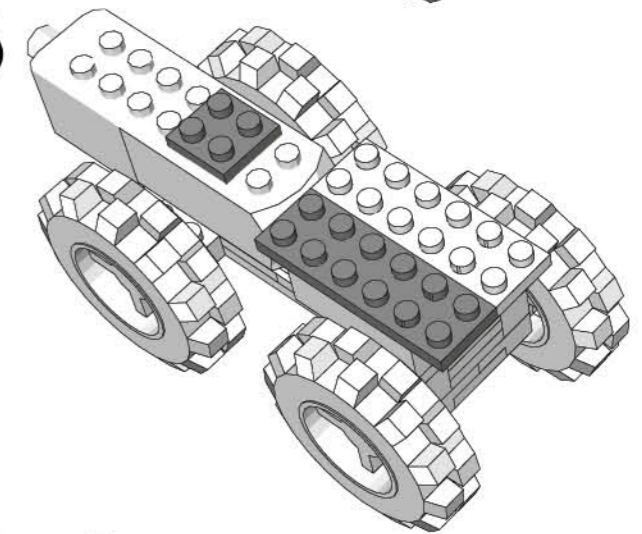
STEP 16



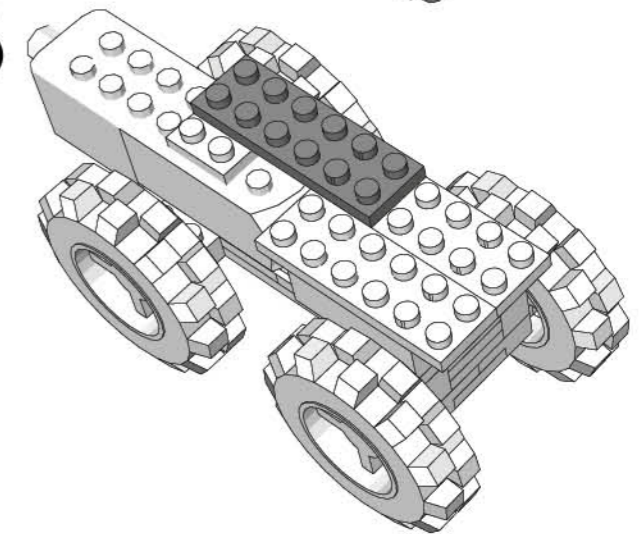
STEP 17



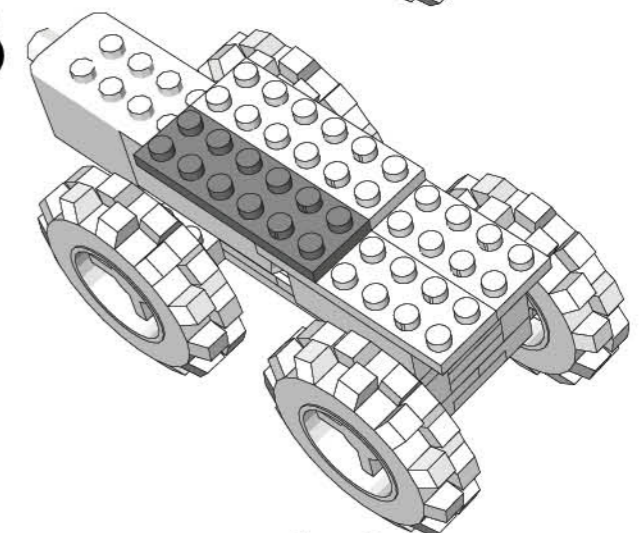
STEP 18



STEP 19

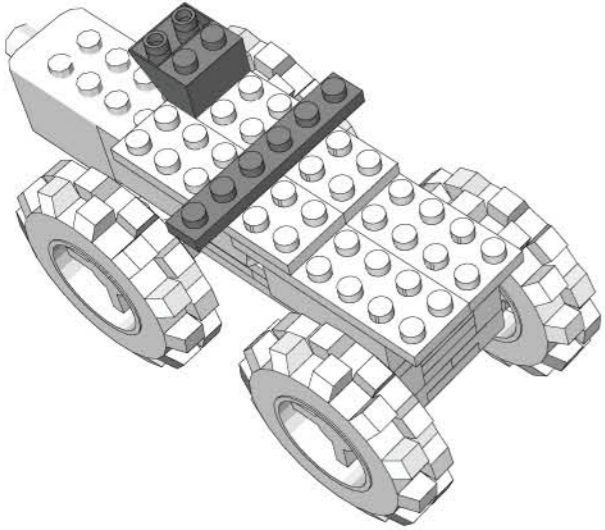


STEP 20

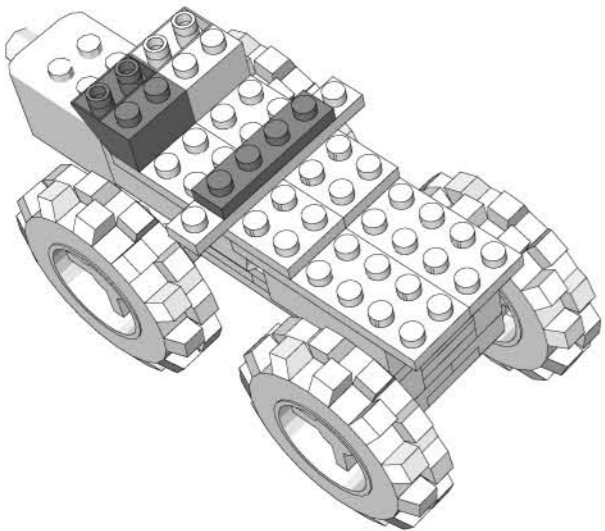




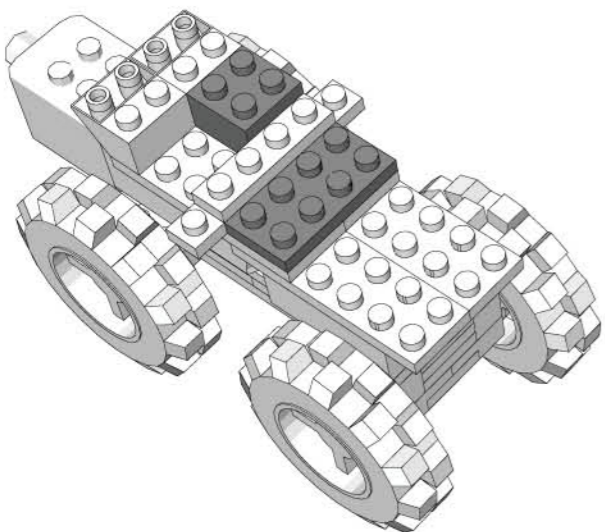
STEP  
21



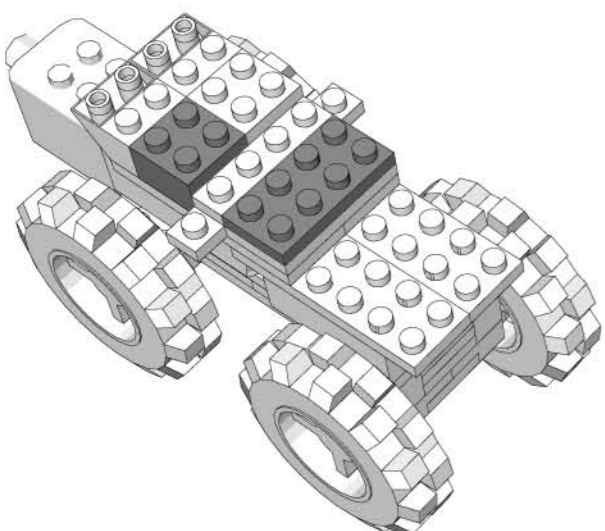
STEP  
22



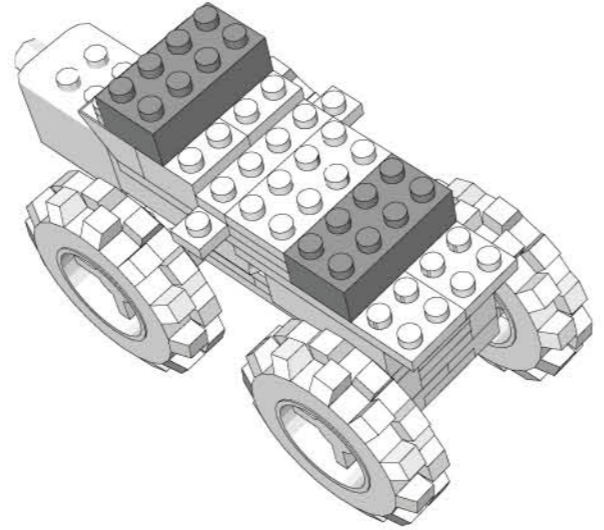
STEP  
23



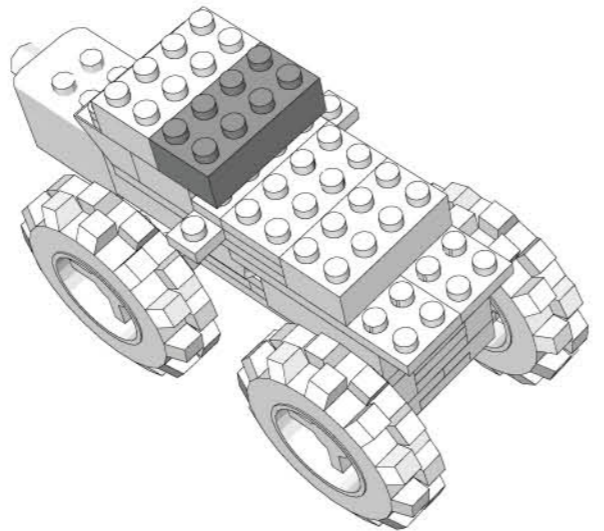
STEP  
24



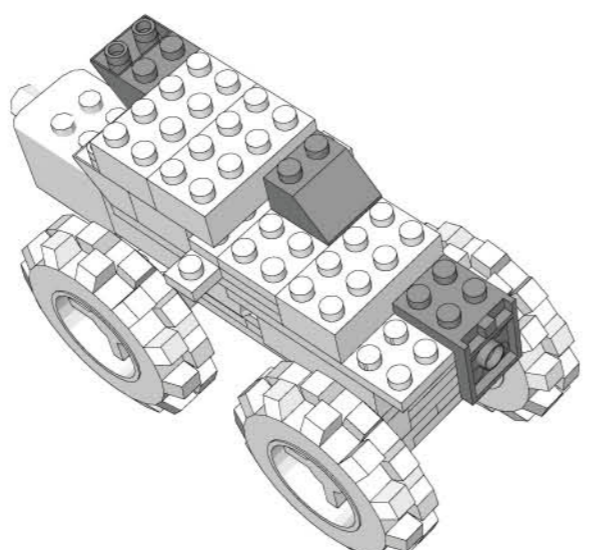
STEP  
25



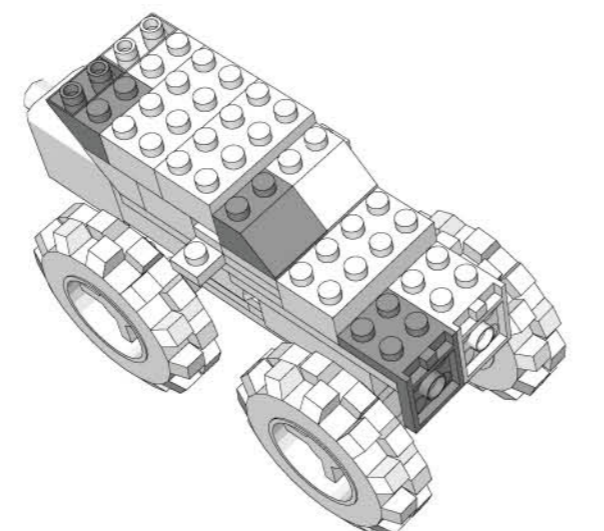
STEP  
26



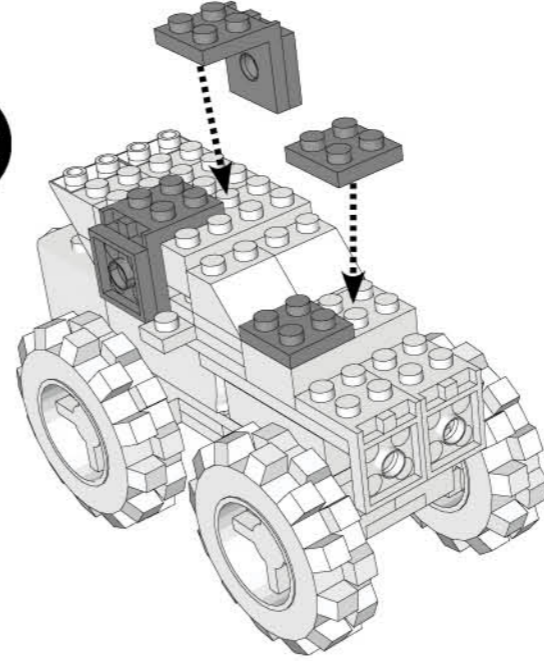
STEP  
27



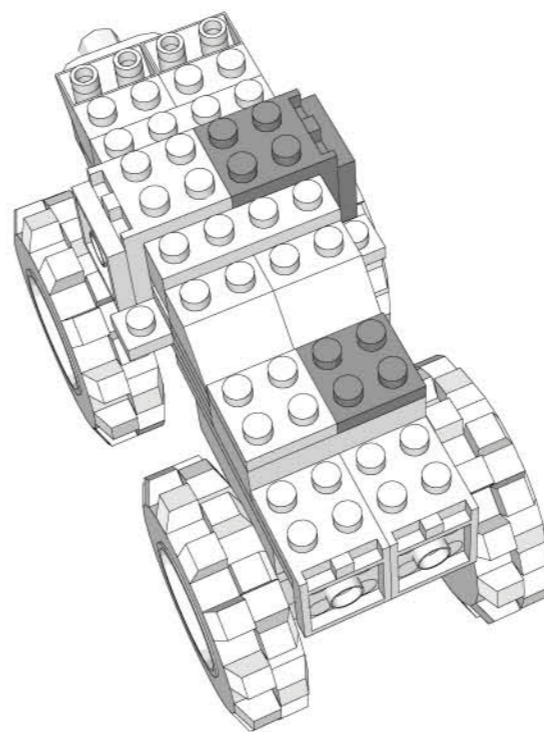
STEP  
28



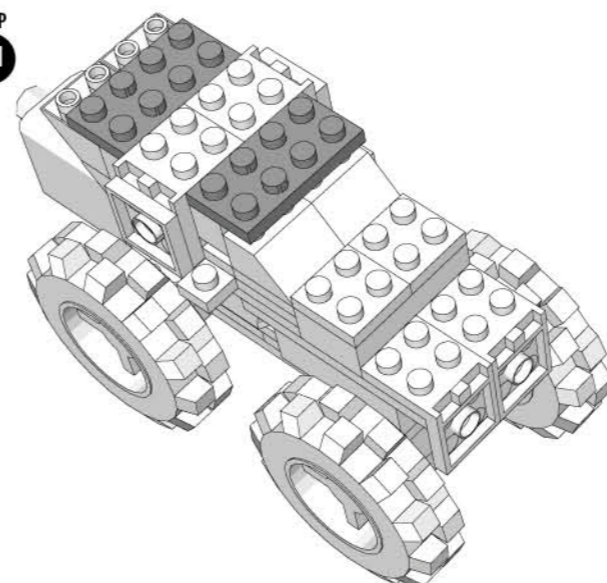
STEP  
29



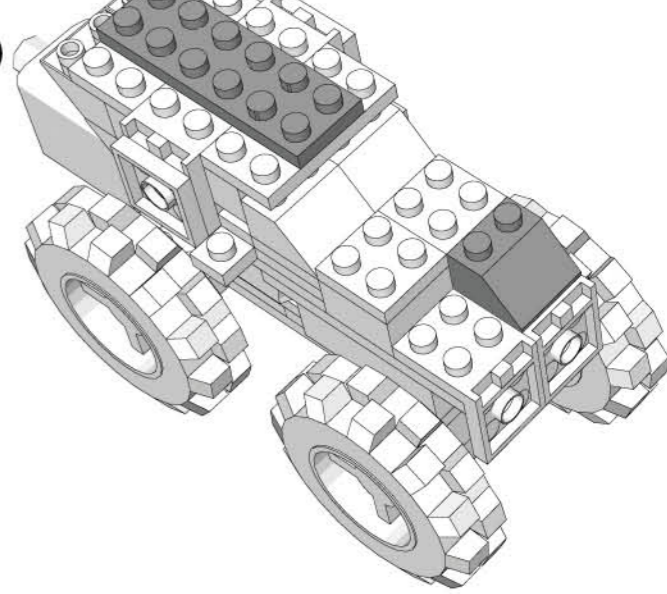
STEP  
30



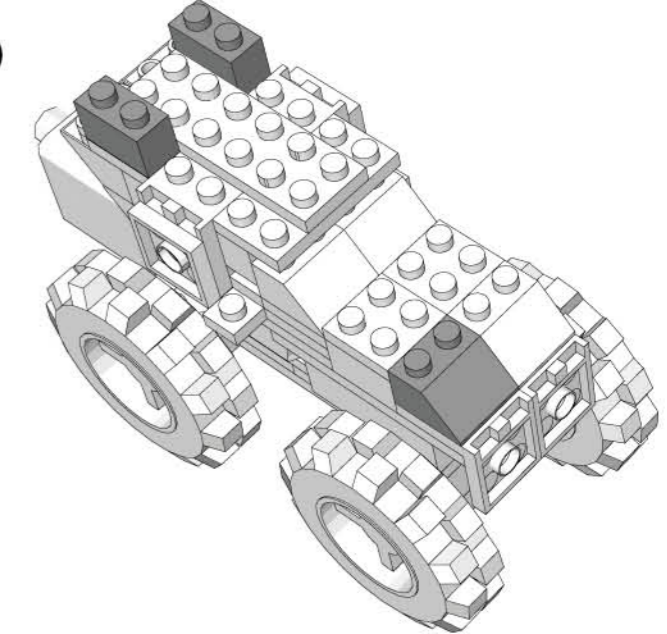
STEP  
31



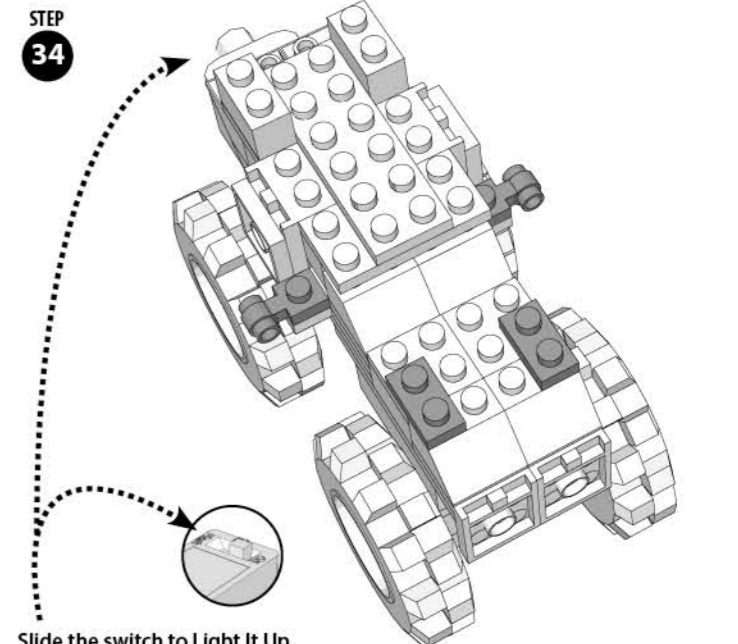
STEP  
32



STEP  
33



STEP  
34



Slide the switch to Light It Up

MADE IN CHINA

[www.LaserPegs.com](http://www.LaserPegs.com)

Copyright 2014 © All Rights Reserved Global & Multiple Patents Pending.

US Patent #7,731,558



# LASER PEGS®

The Ultimate Construction Toy For Kids®

**ZD 110B MONSTER TRUCK**  
AGES 5+  
6 Models+  
Any creation you can build

**LIGHTED**  
CONSTRUCTION SET INCLUDES:

- 1 Laser Pegs®
- 66 Tinted Bricks
- Zippy Do® Power Base
- Instruction Manual

Please read this manual before you begin! Failure to follow this manual's instructions may result in damage to the Zippy Do® Power Base and/or the Zippy Do® pieces. Not adhering to these instructions will void the manufacturer's warranty. The packaging must be kept because it contains important information.

**WARNING: CHOKING HAZARD**-Small parts. Not for children under 3 yrs. Do not submerge in water.

**WARNING: STROBE LIGHTS MAY CAUSE SEIZURES**

Requires 3-LR44 Batteries **DO NOT SUBMERGE IN WATER**

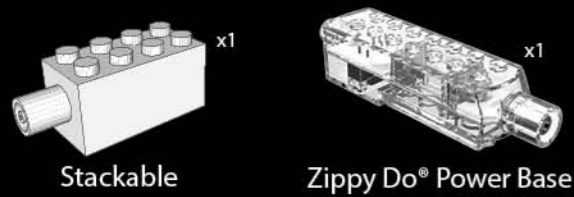


EN71, RoHS COMPLIANT

This product complies to all safety requirements of ASTM F 963

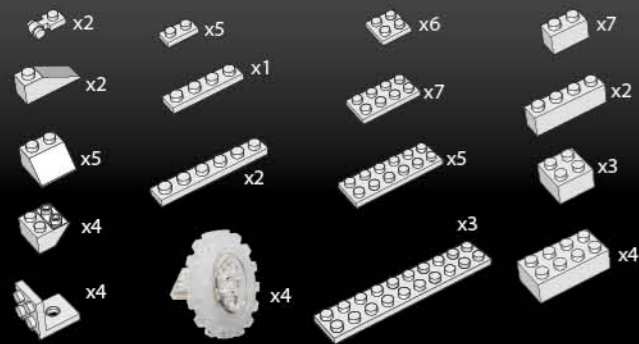


## Laser Pegs® Parts List



The toy is not to be connected to more than the recommended number of power supplies

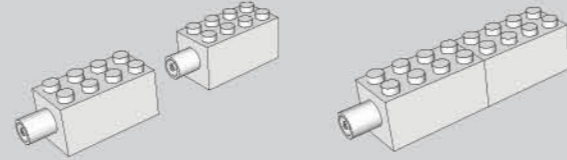
## Tinted Bricks List



[www.LaserPegs.com](http://www.LaserPegs.com)

This manual is copyright and cannot be reproduced or used online without Laser Pegs® Ventures LLC permission. Copyright 2014 © All Rights Reserved US Patent #7,731,558 Additional Global & Multiple Patents Pending. Laser Pegs® Ventures LLC. 8304 Consumer Ct Sarasota FL. 34240. Contact: Support@LaserPegs.com

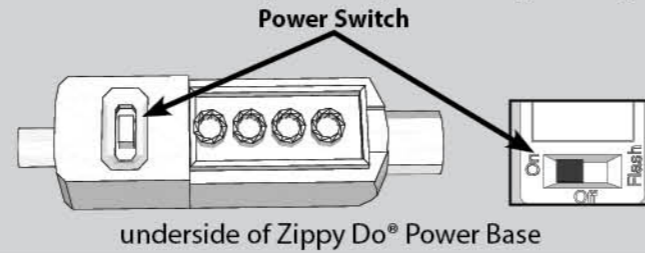
## Connecting Pegs



To construct with Laser Pegs®, slide two pieces together to form a connection. Slide each piece on and off smoothly. (Laser Pegs® pieces sold separately).

\*To avoid short-circuits, keep metal objects and other unauthorized materials from obstructing the peg holes.

**Slide Power Switch to turn on/off/flash**  
Slide Power Switch to cycle through different light settings.



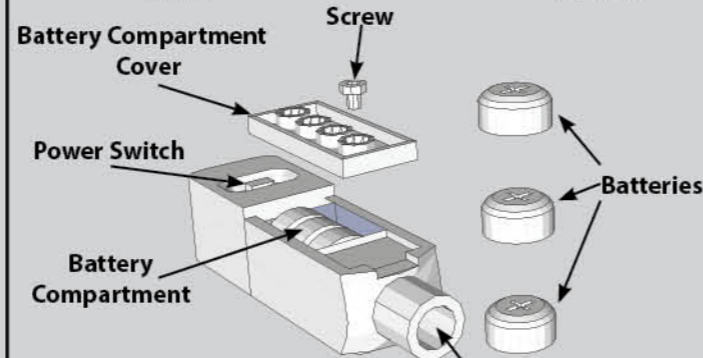
This Product contains a button battery. If swallowed, it could cause severe injury or death in just 2 hours. Seek medical attention immediately.

## Replacing Batteries

1. Remove the Phillips head screw.
2. Remove the Battery Compartment Cover.
3. Place three (3) LR44 batteries in the correct position. (Batteries are to be inserted with the correct polarity).
4. Replace the Battery Compartment Cover.
5. Replace the Phillips head screw.
6. Slide Power Switch to turn on!
7. Do not mix old and new batteries.
8. Do not mix alkaline, standard (carbon-zinc), or rechargeable (nickel-cadmium, NiMH) batteries!
9. Exhausted batteries are to be removed from the power base.
10. Batteries should be recycled or disposed of as per state and local guidelines.
11. Non-rechargeable batteries are not to be recharged.
12. Rechargeable batteries are only to be recharged under adult supervision.
13. Rechargeable batteries are to be removed from the toy before being recharged.
14. The supply terminals are not to be short-circuited.
15. Do NOT throw batteries into fire!

Remove the Phillips head screw with a 4mm screw driver.

Requires 3-LR44 Button Cell Batteries



**BATTERIES ARE TO BE INSERTED INTO THE TOY BY AN ADULT ONLY!**

Connects to other Laser Pegs® pieces

**ONLY ADULTS SHOULD INSTALL THE BATTERIES**

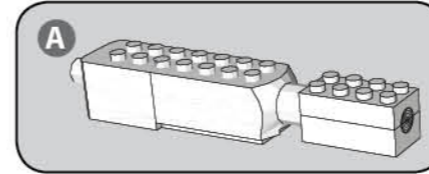
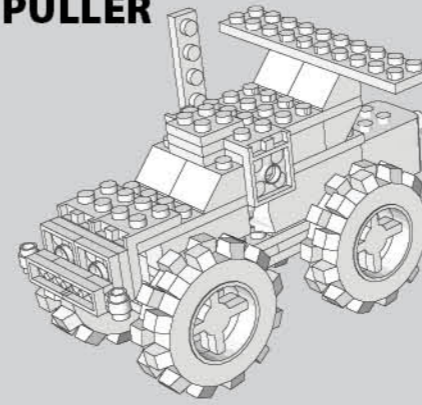
PRO STOCK PULLER: The world's most powerful multi-engined motorsport tractor.



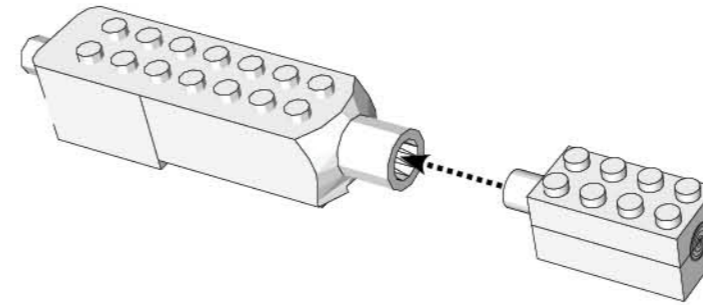
## PRO STOCK PULLER

Model Difficulty Level

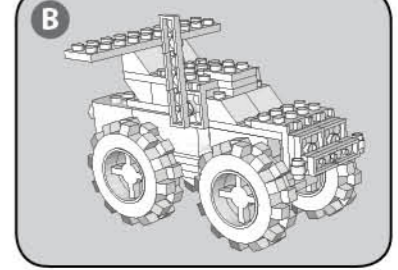
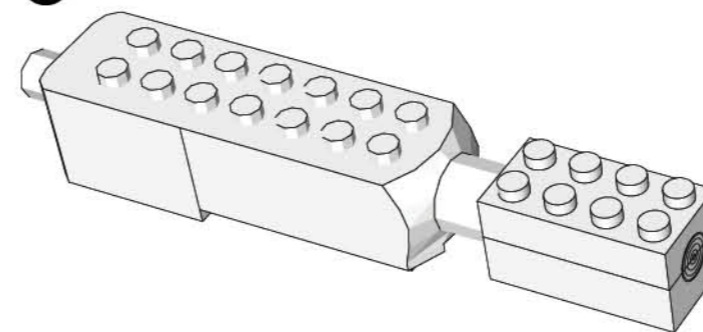
**3**



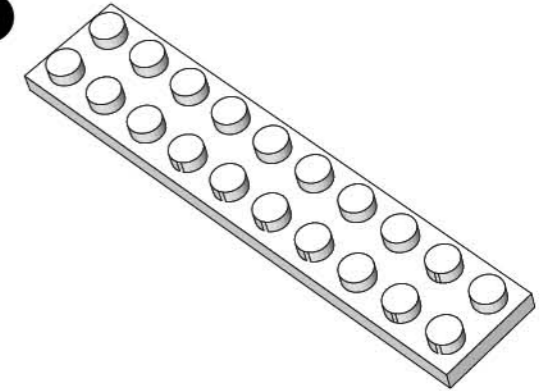
STEP 1



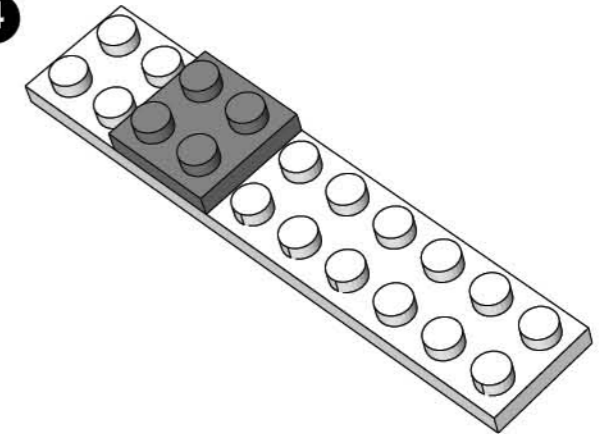
STEP 2



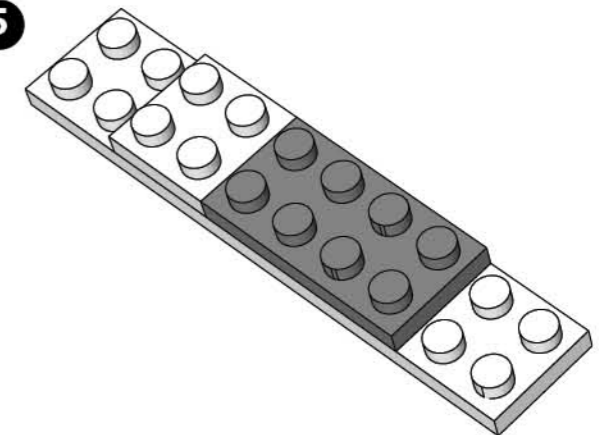
STEP 3



STEP 4



STEP 5



**Laser Pegs® CARES**  
Questions? Comments?  
For additional compliance info:  
1-866-432-3735  
Contact: Support@LaserPegs.com



COMBINE PARTS



FLIP MODEL OVER



ROTATE MODEL

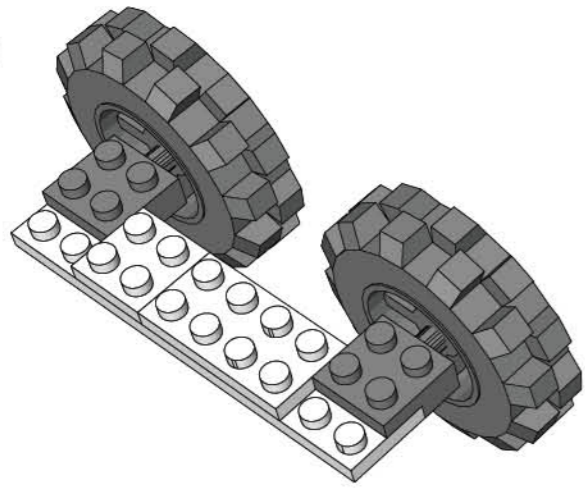
### Environmental Phenomena

\* The unit may malfunction if subjected to radio-frequency interference. It SHOULD revert to normal operation when the interference stops. If not, it may become necessary to turn the power off and back on, or remove and reinstall the batteries.

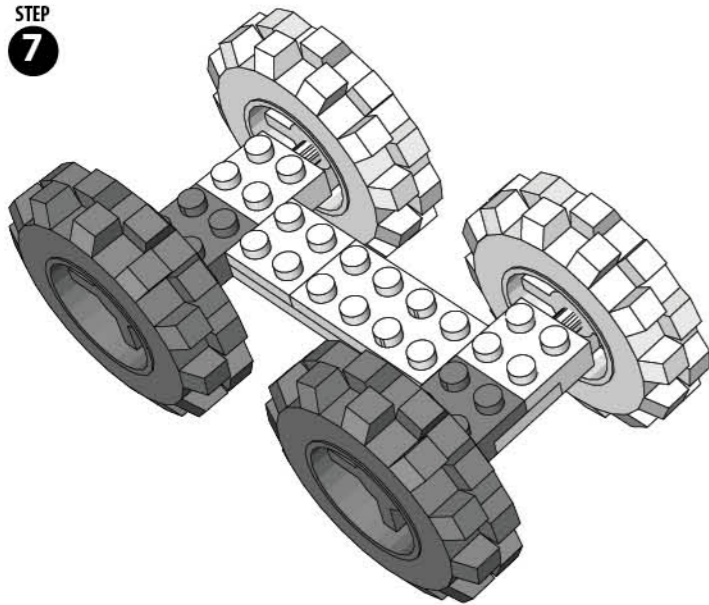
\* In the unlikely event of an electrostatic discharge, the unit may malfunction and lose memory, requiring the user to reset the device by removing and reinstalling the batteries.



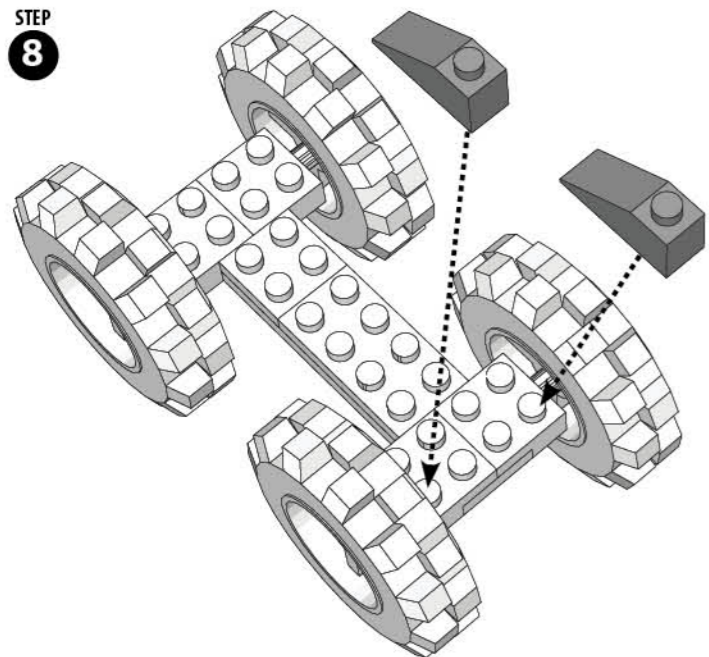
STEP  
6



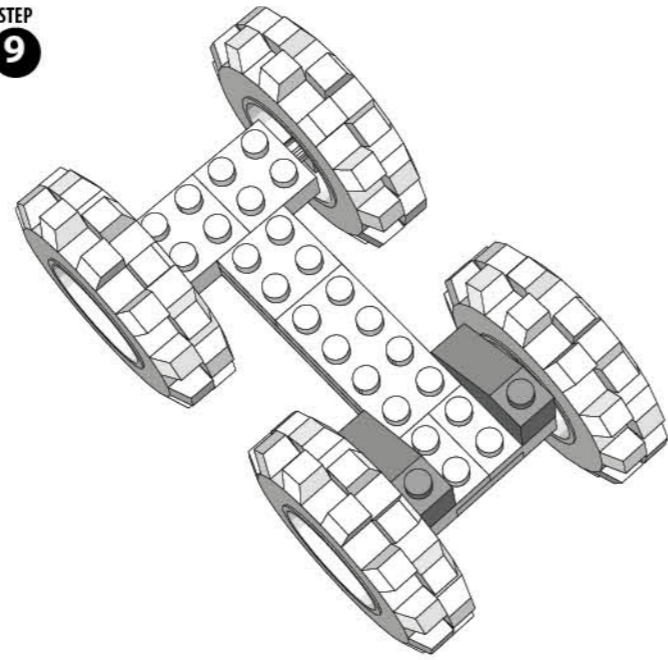
STEP  
7



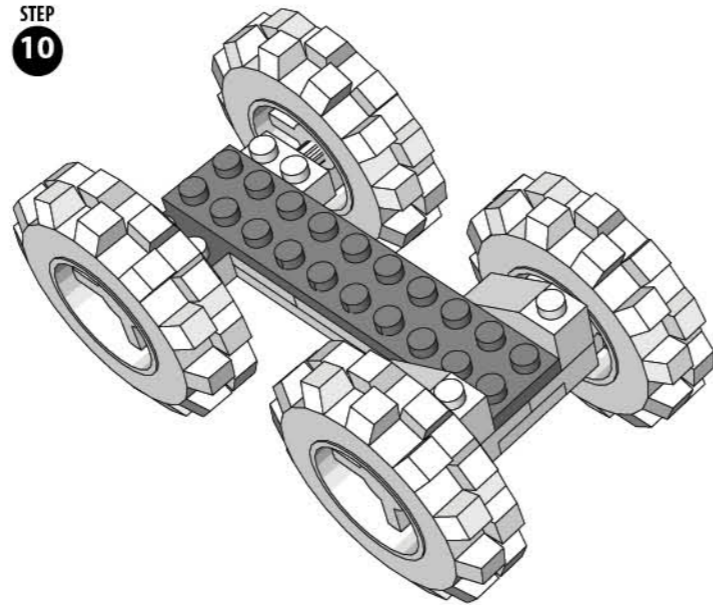
STEP  
8



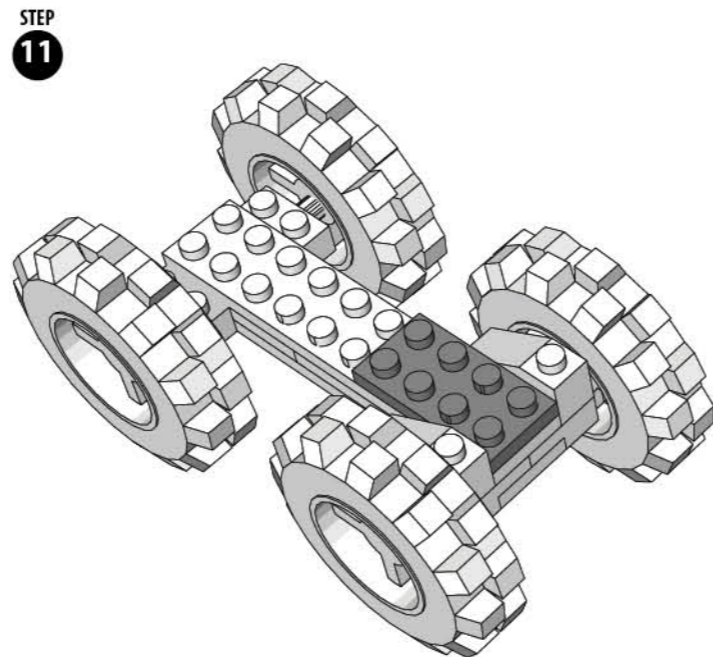
STEP  
9



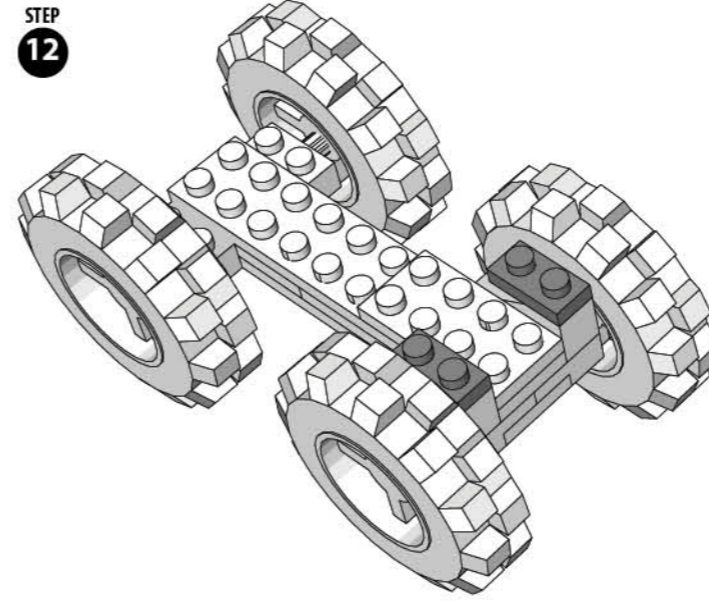
STEP  
10



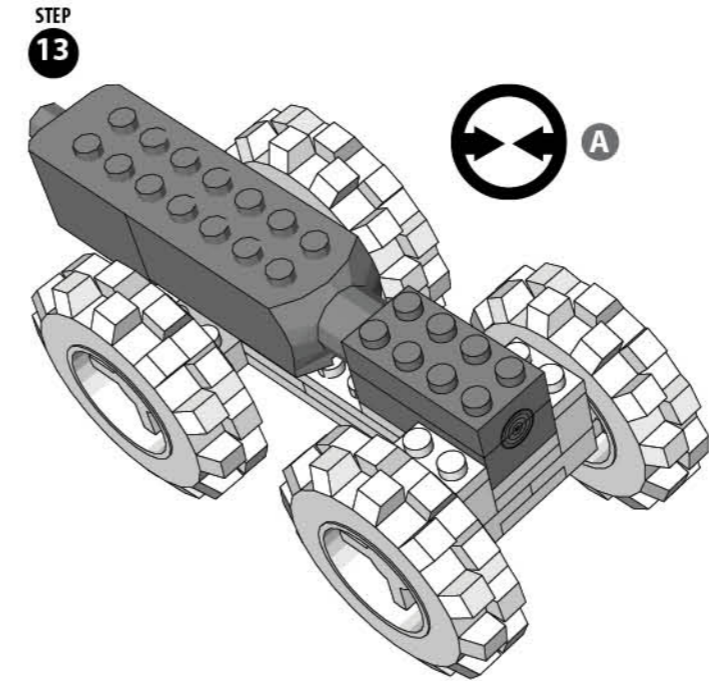
STEP  
11



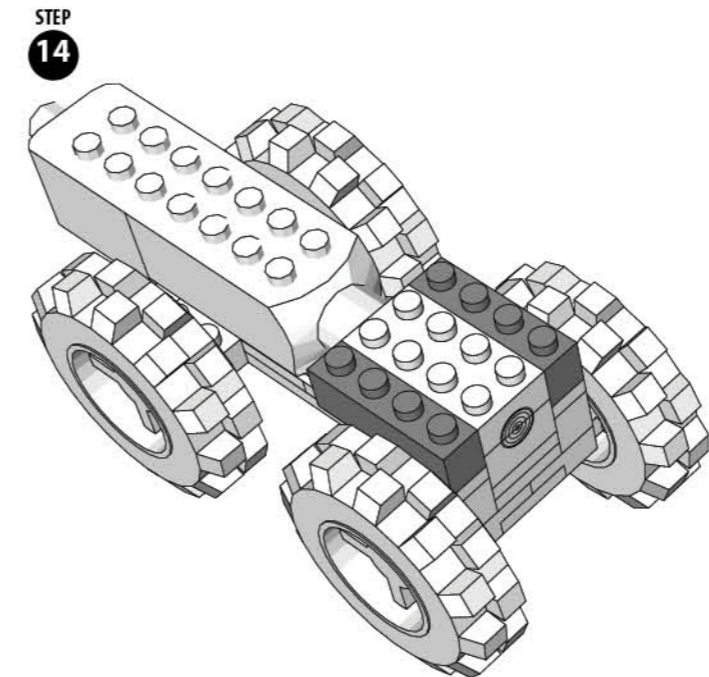
STEP  
12



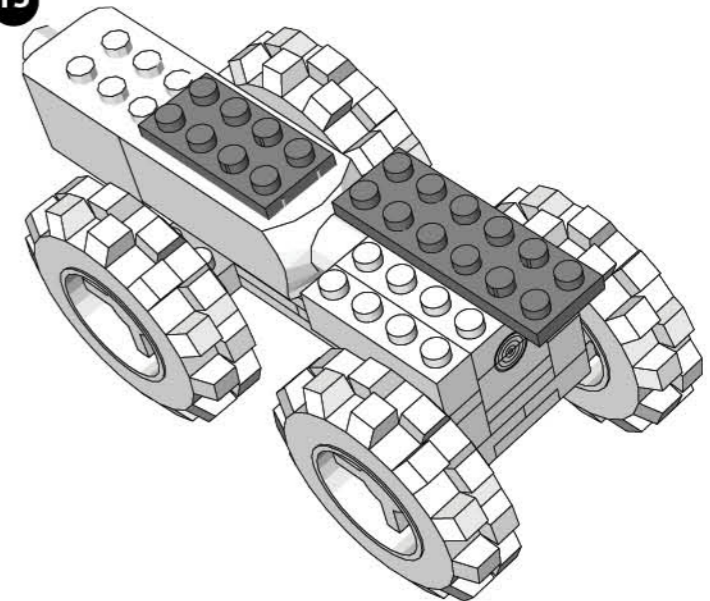
STEP  
13



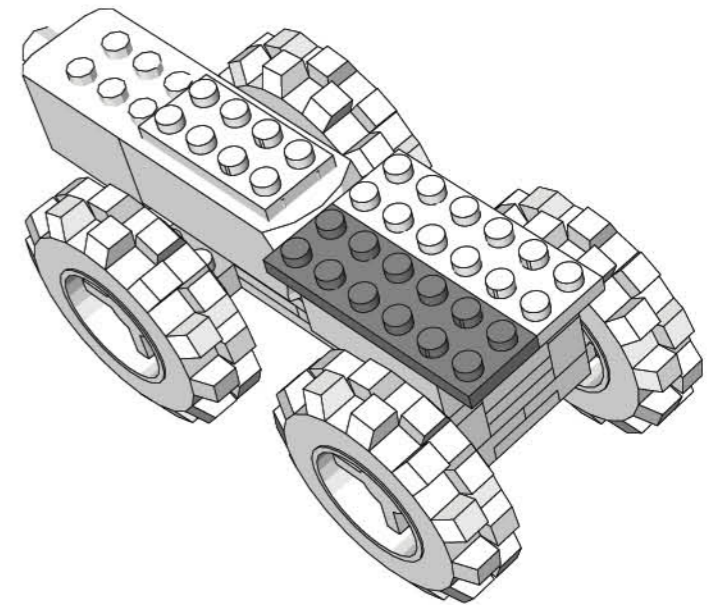
STEP  
14



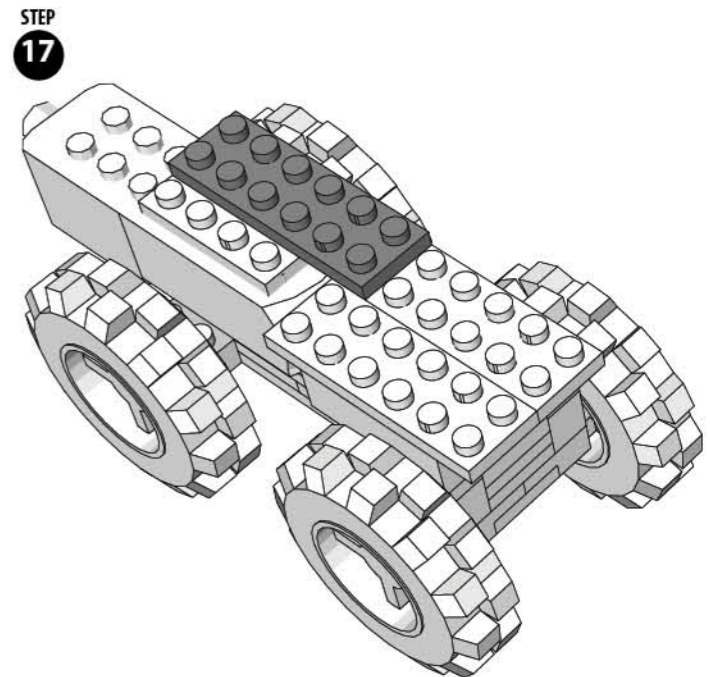
STEP  
15



STEP  
16

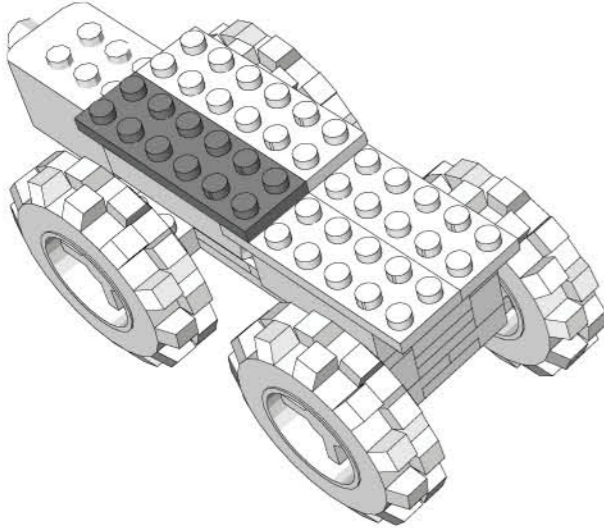


STEP  
17

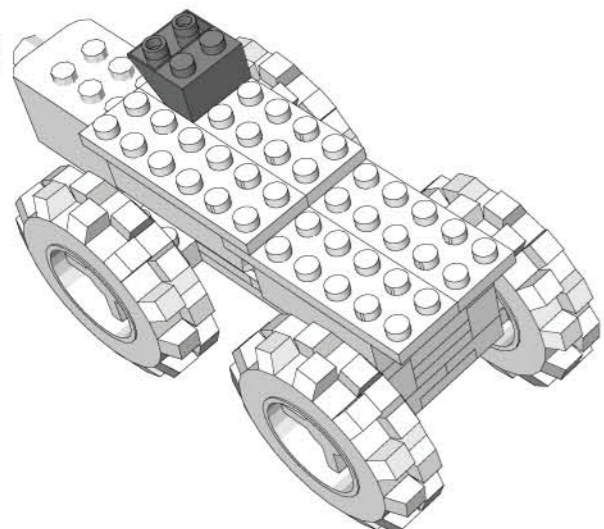




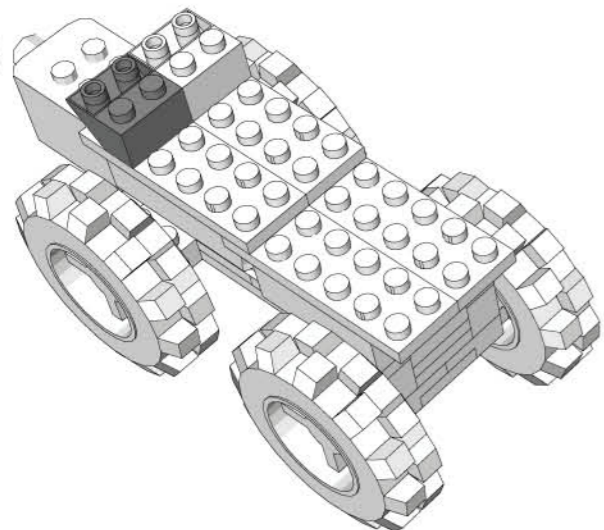
STEP 18



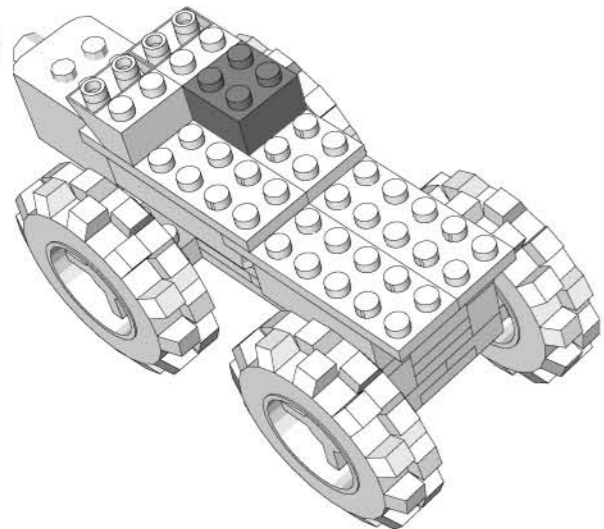
STEP 19



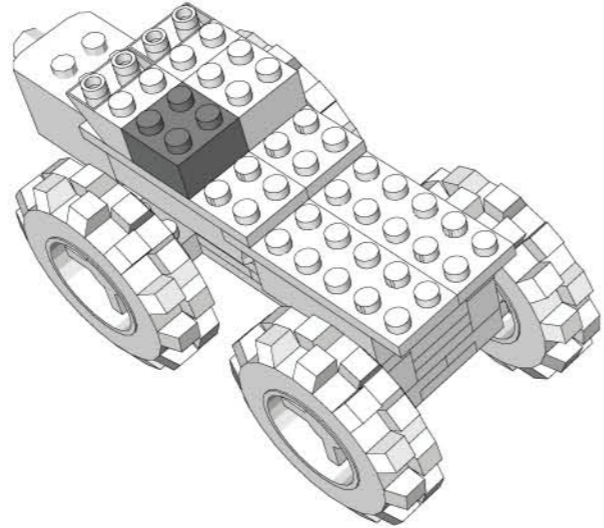
STEP 20



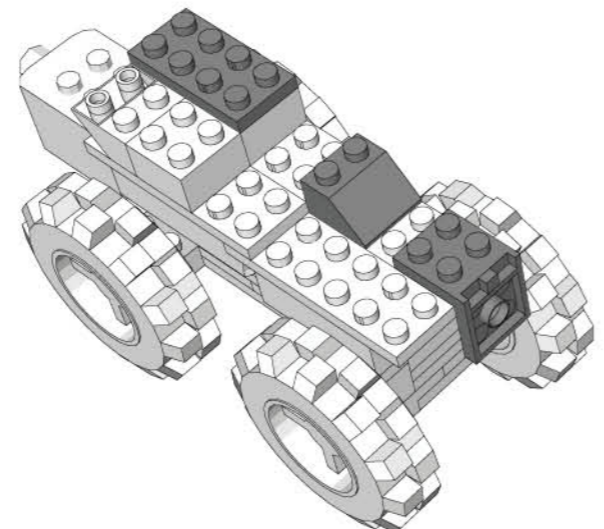
STEP 21



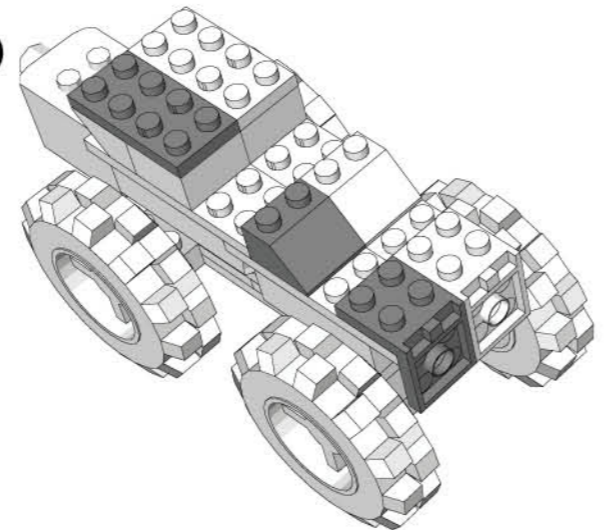
STEP 22



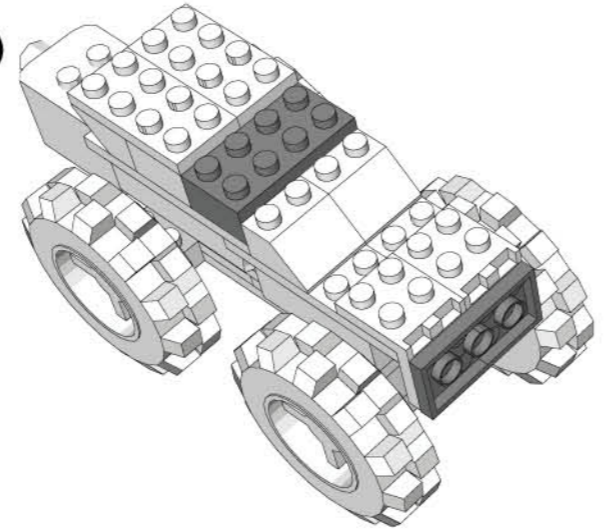
STEP 23



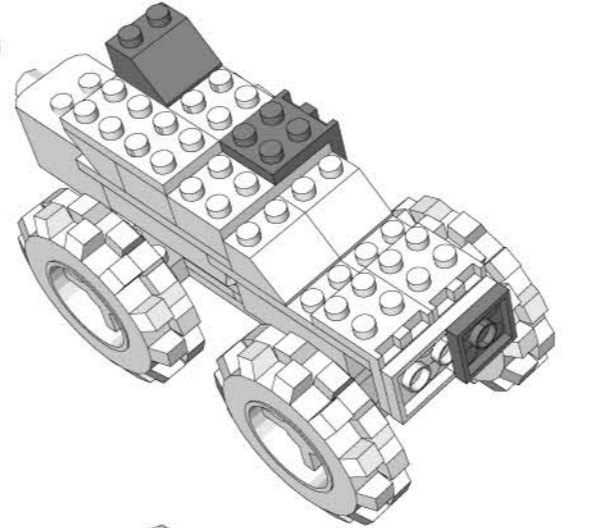
STEP 24



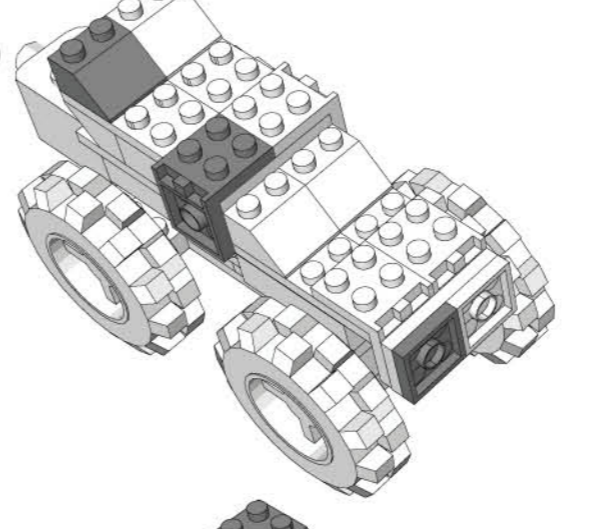
STEP 25



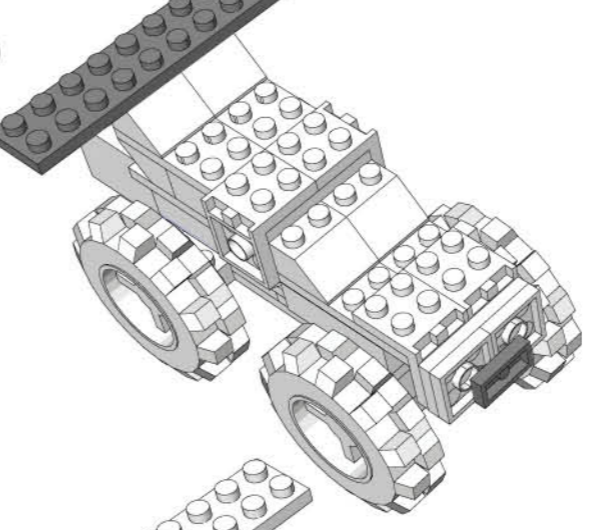
STEP 26



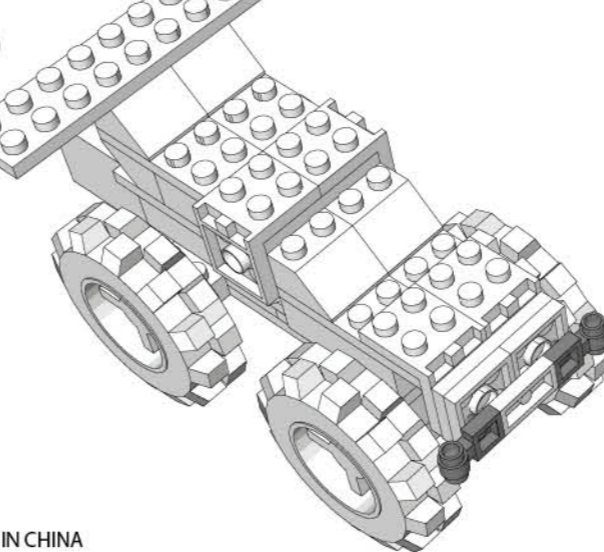
STEP 27



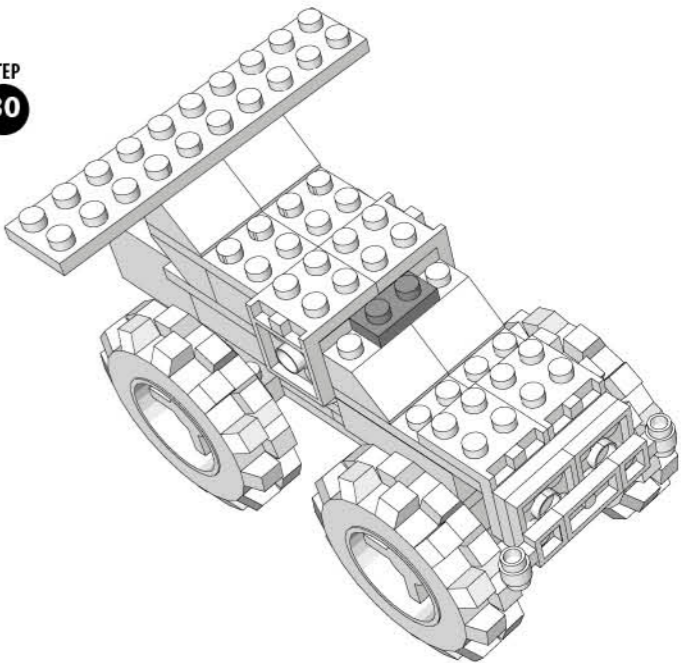
STEP 28



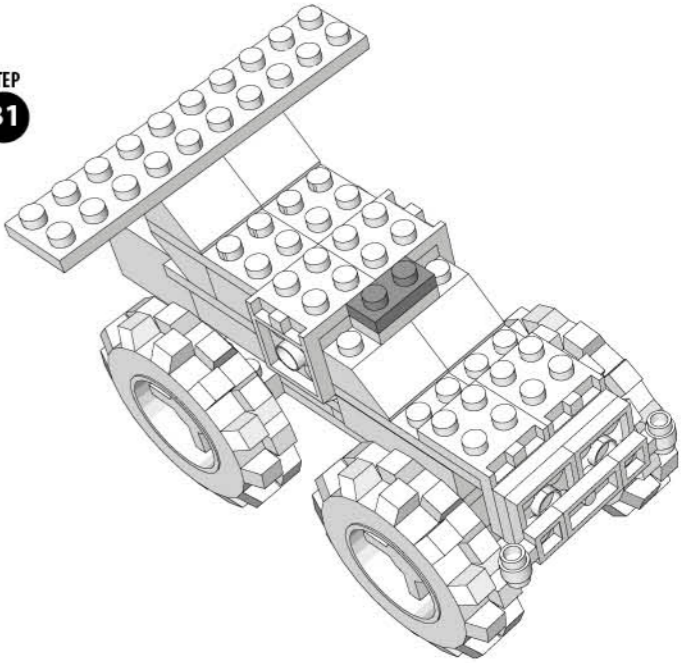
STEP 29



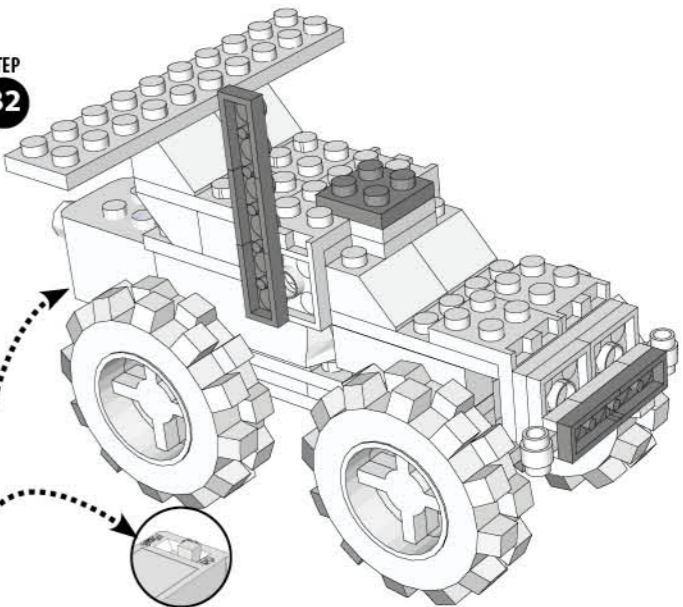
STEP 30



STEP 31



STEP 32



Slide the switch to Light It Up

[www.LaserPegs.com](http://www.LaserPegs.com)

Copyright 2014 © All Rights Reserved Global & Multiple Patents Pending.

US Patent #7,731,558

MADE IN CHINA



# LASER PEGS®

The Ultimate Construction Toy For Kids®

**ZD 110B MONSTER TRUCK**  
AGES 5+  
6 Models+  
Any creation you can build

**LIGHTED**  
CONSTRUCTION SET INCLUDES:

- 1 Laser Pegs®
- 66 Tinted Bricks
- Zippy Do® Power Base
- Instruction Manual

Please read this manual before you begin! Failure to follow this manual's instructions may result in damage to the Zippy Do® Power Base and/or the Zippy Do® pieces. Not adhering to these instructions will void the manufacturer's warranty. The packaging must be kept because it contains important information.

**WARNING: CHOKING HAZARD**-Small parts. Not for children under 3 yrs. Do not submerge in water.

**WARNING: STROBE LIGHTS MAY CAUSE SEIZURES**

Requires 3-LR44 Batteries **DO NOT SUBMERGE IN WATER**

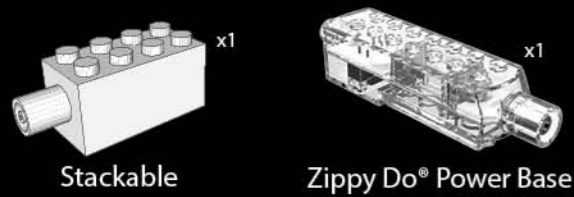


EN71, RoHS COMPLIANT

This product complies to all safety requirements of ASTM F 963

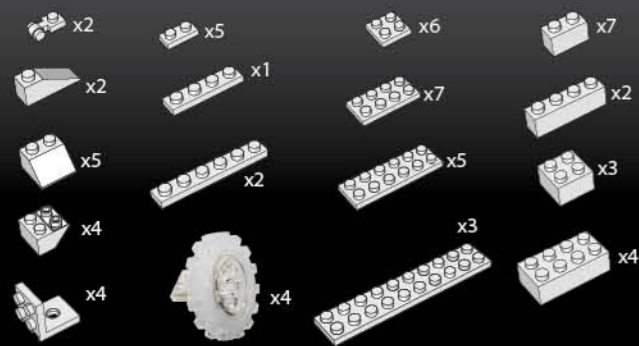


## Laser Pegs® Parts List



The toy is not to be connected to more than the recommended number of power supplies

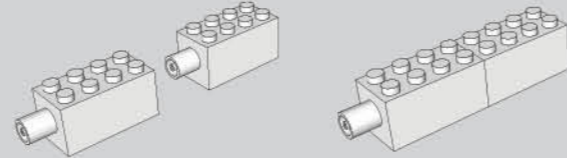
## Tinted Bricks List



[www.LaserPegs.com](http://www.LaserPegs.com)

This manual is copyright and cannot be reproduced or used online without Laser Pegs® Ventures LLC permission. Copyright 2014 © All Rights Reserved US Patent #7,731,558 Additional Global & Multiple Patents Pending. Laser Pegs® Ventures LLC. 8304 Consumer Ct Sarasota FL. 34240. Contact: Support@LaserPegs.com

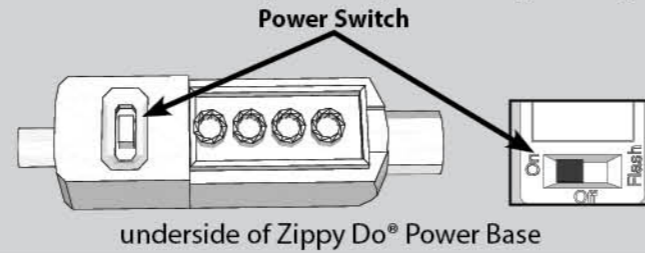
## Connecting Pegs



To construct with Laser Pegs®, slide two pieces together to form a connection. Slide each piece on and off smoothly. (Laser Pegs® pieces sold separately).

\*To avoid short-circuits, keep metal objects and other unauthorized materials from obstructing the peg holes.

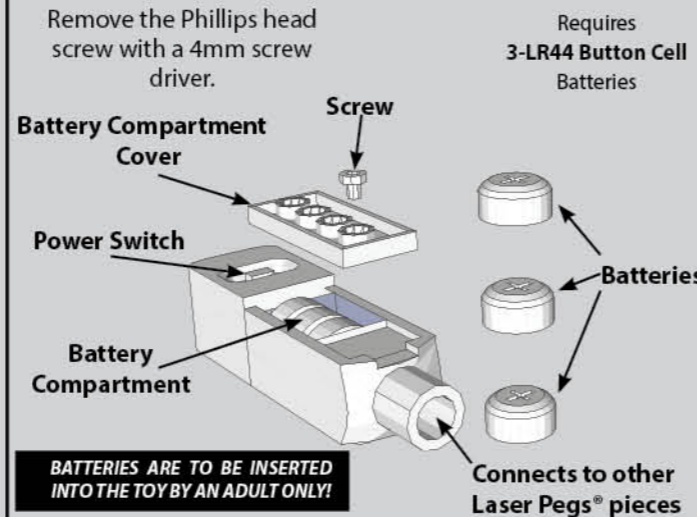
**Slide Power Switch to turn on/off/flash**  
Slide Power Switch to cycle through different light settings.



This Product contains a button battery. If swallowed, it could cause severe injury or death in just 2 hours. Seek medical attention immediately.

## Replacing Batteries

1. Remove the Phillips head screw.
2. Remove the Battery Compartment Cover.
3. Place three (3) LR44 batteries in the correct position. (Batteries are to be inserted with the correct polarity).
4. Replace the Battery Compartment Cover.
5. Replace the Phillips head screw.
6. Slide Power Switch to turn on!
7. Do not mix old and new batteries.
8. Do not mix alkaline, standard (carbon-zinc), or rechargeable (nickel-cadmium, NiMH) batteries!
9. Exhausted batteries are to be removed from the power base.
10. Batteries should be recycled or disposed of as per state and local guidelines.
11. Non-rechargeable batteries are not to be recharged.
12. Rechargeable batteries are only to be recharged under adult supervision.
13. Rechargeable batteries are to be removed from the toy before being recharged.
14. The supply terminals are not to be short-circuited.
15. Do NOT throw batteries into fire!



**BATTERIES ARE TO BE INSERTED INTO THE TOY BY AN ADULT ONLY!**

Connects to other Laser Pegs® pieces

**ONLY ADULTS SHOULD INSTALL THE BATTERIES**

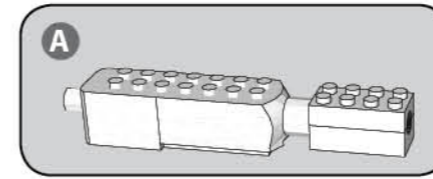
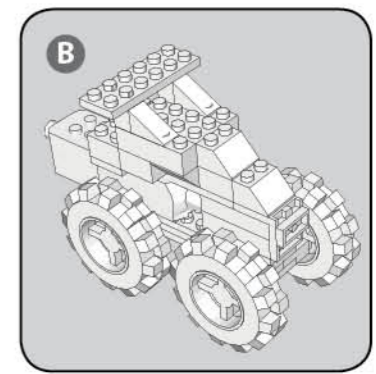
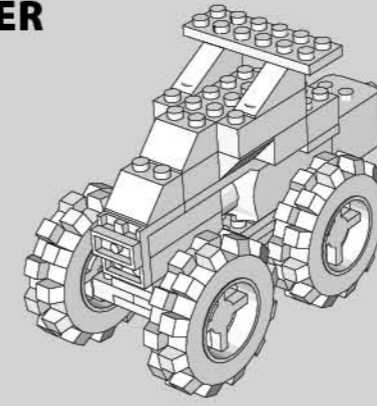
ROCK CLIMBER: An extreme off-road four-wheeler created to crawl over hills and rocks.



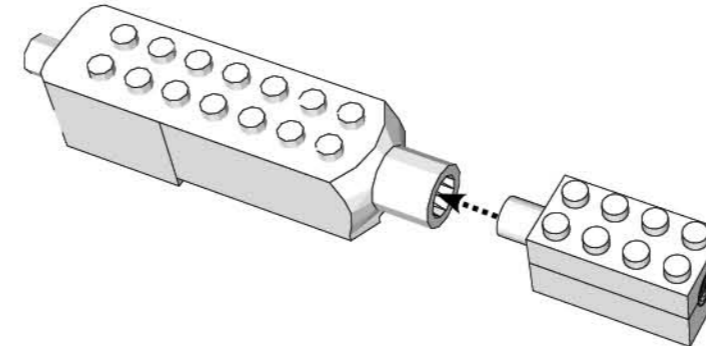
## ROCK CLIMBER

Model Difficulty Level

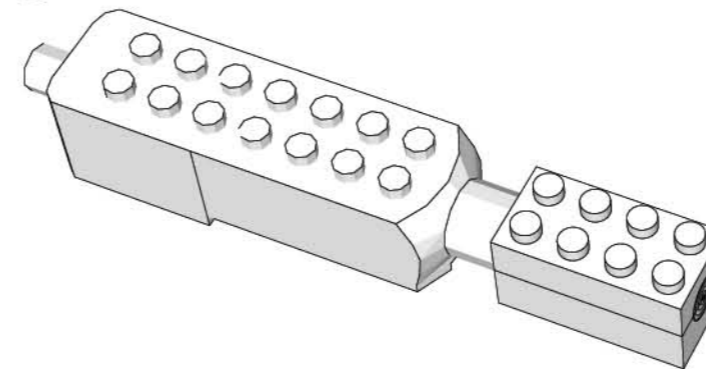
**3**



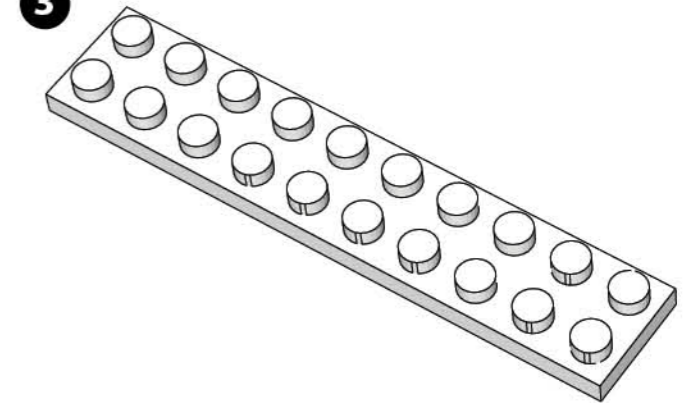
STEP 1



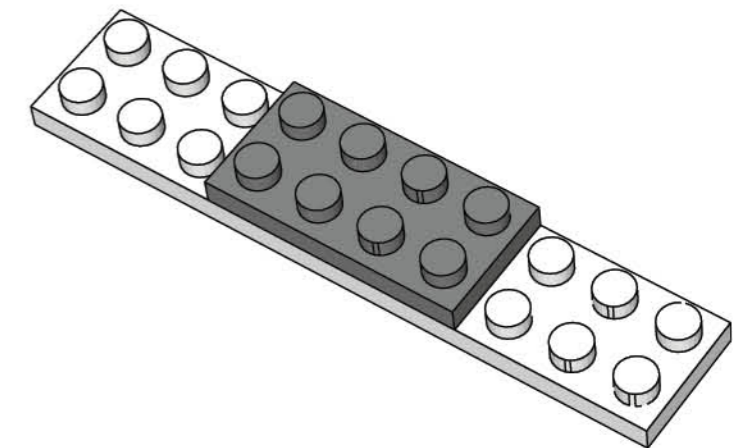
STEP 2



STEP 3



STEP 4



**Laser Pegs® CARES**  
Questions? Comments?  
For additional compliance info:  
1-866-432-3735  
Contact: Support@LaserPegs.com



COMBINE PARTS



FLIP MODEL OVER



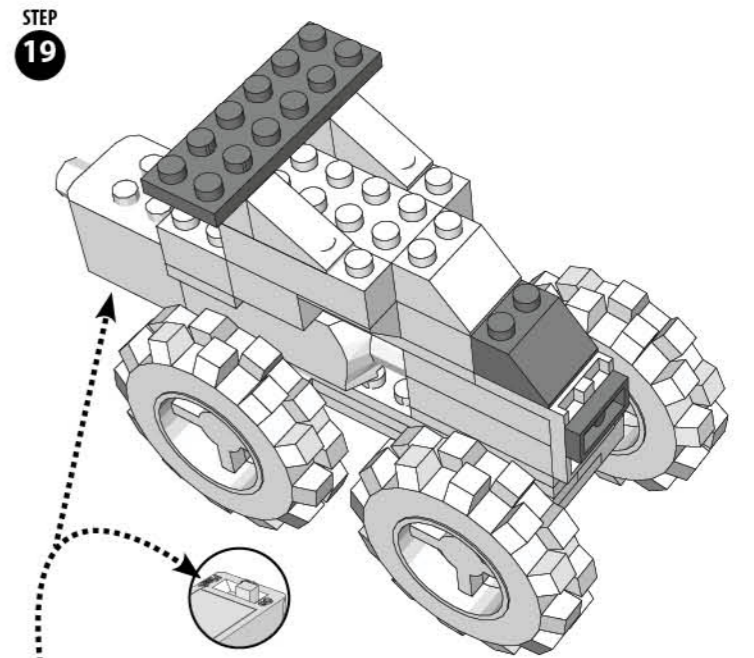
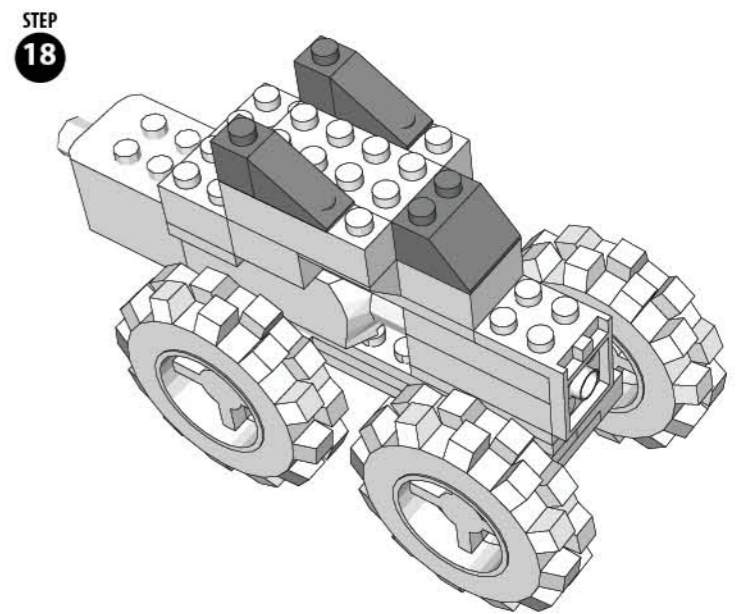
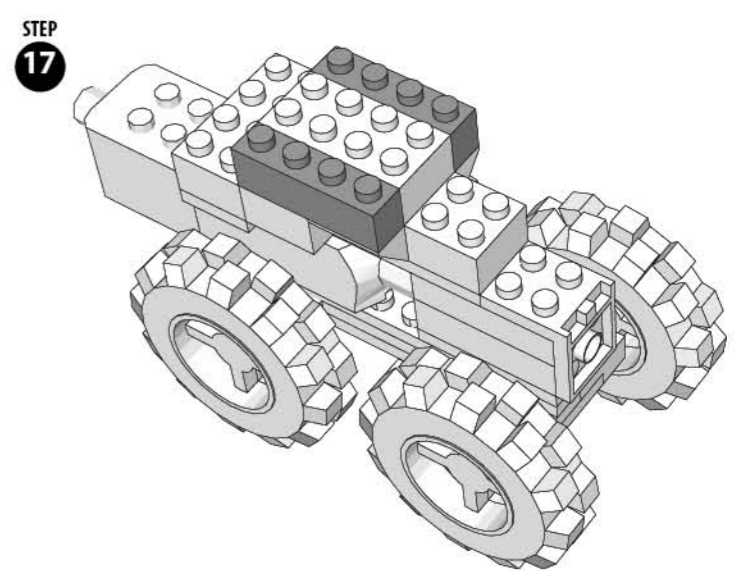
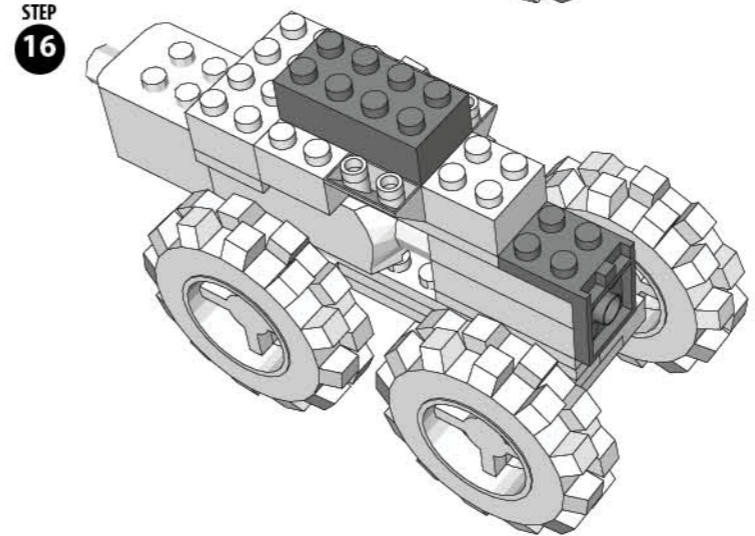
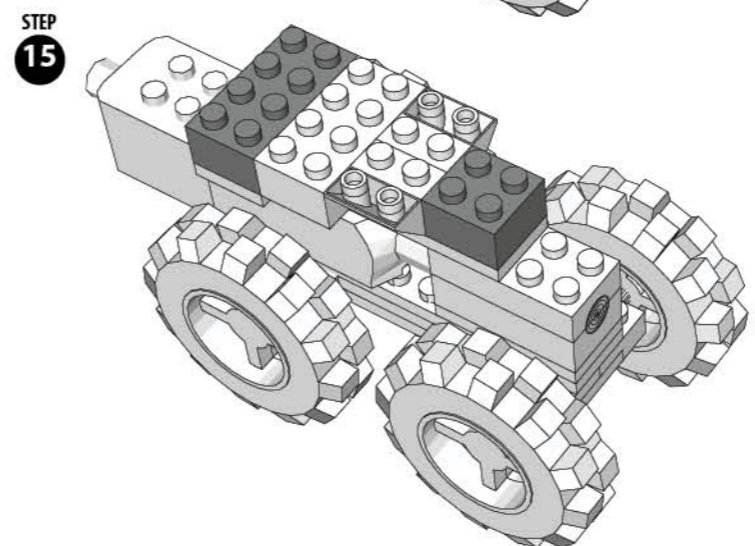
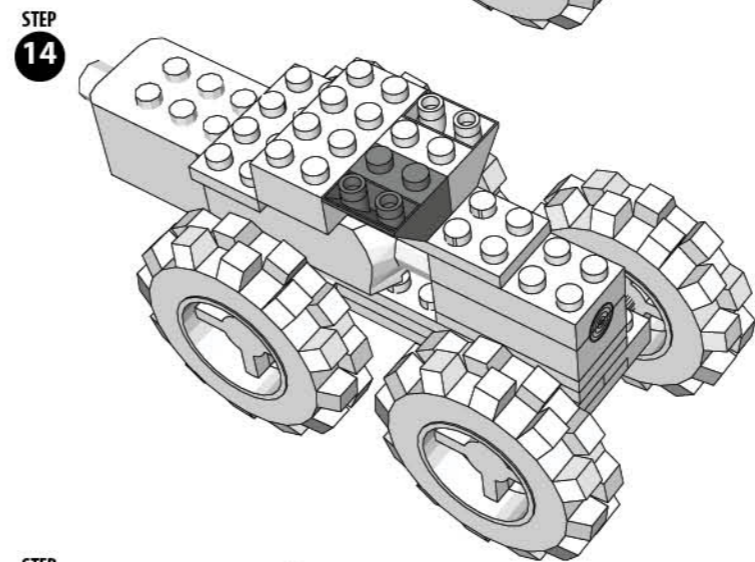
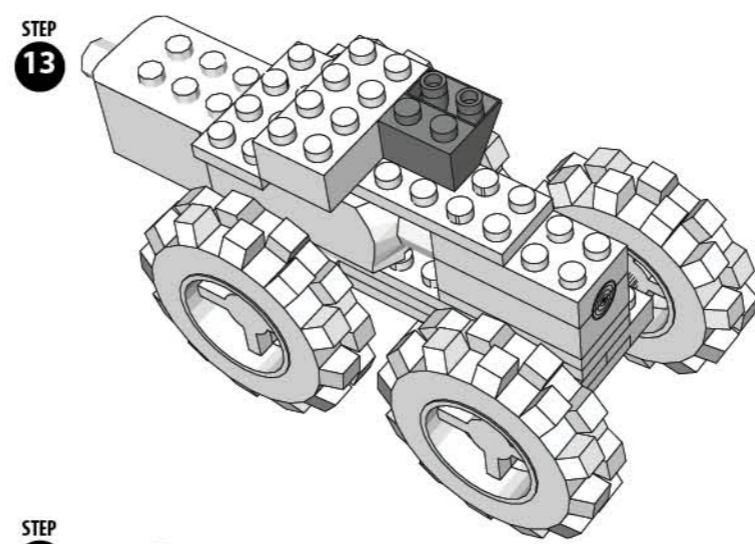
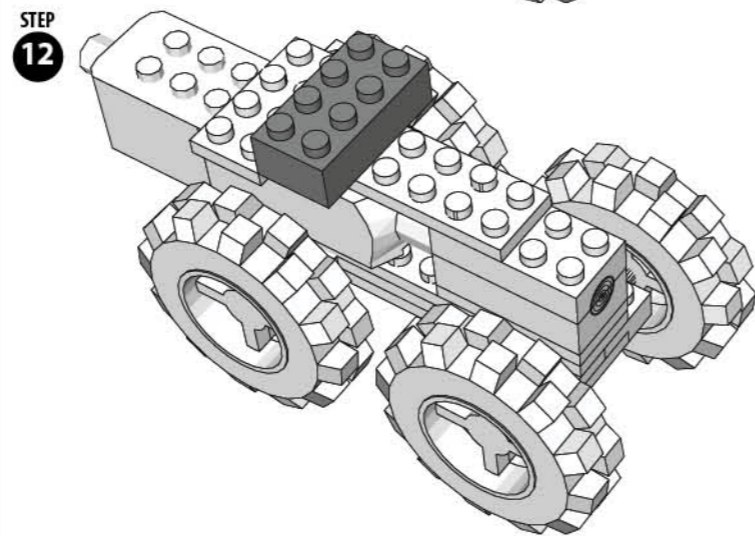
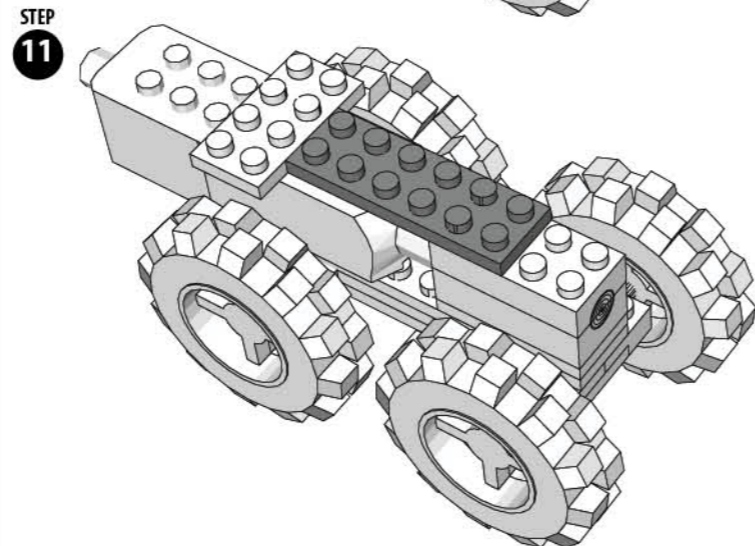
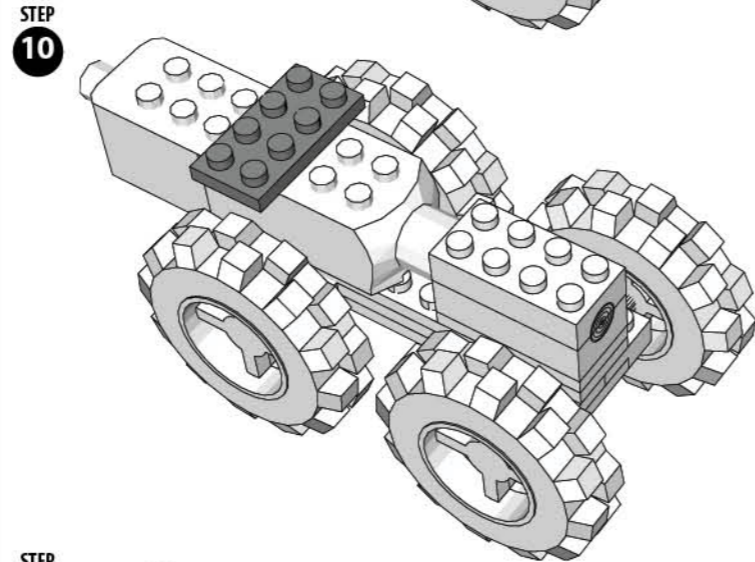
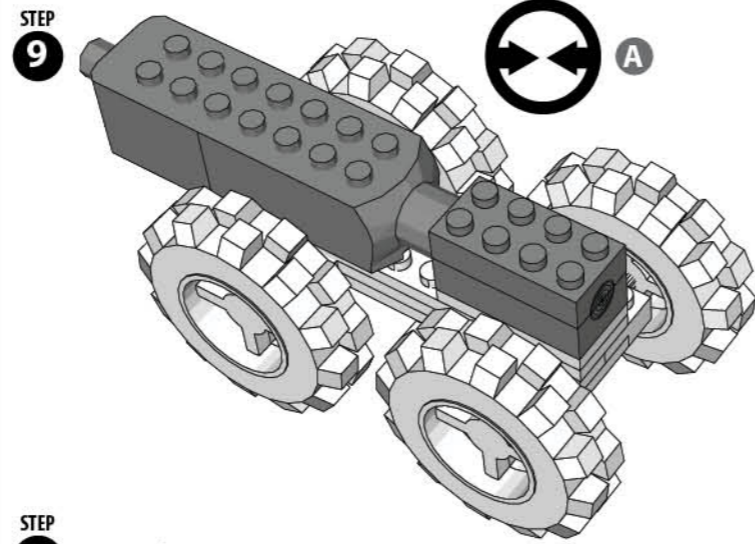
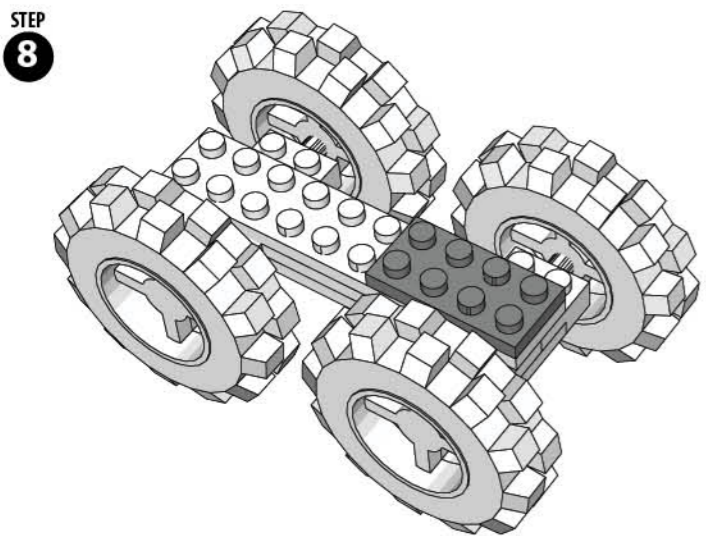
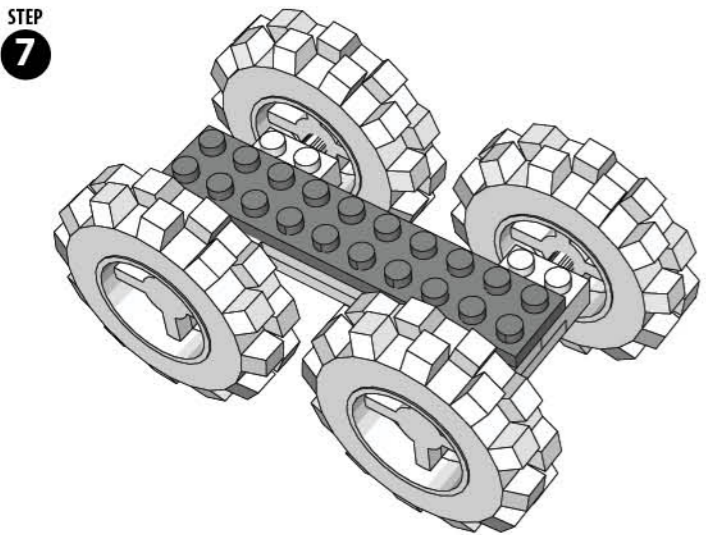
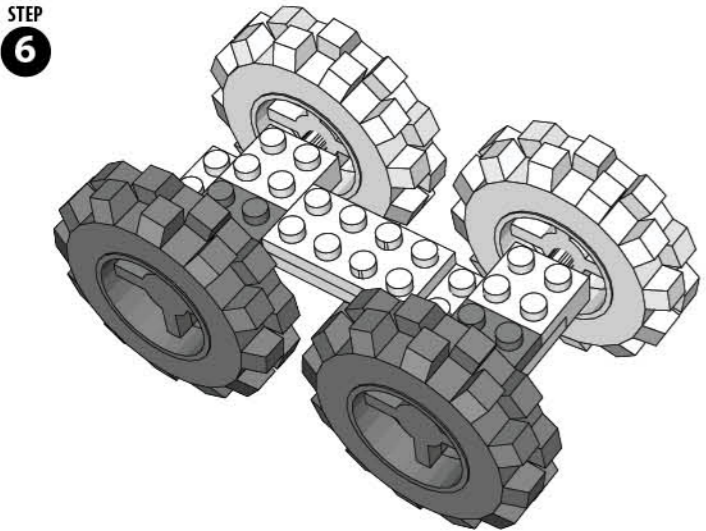
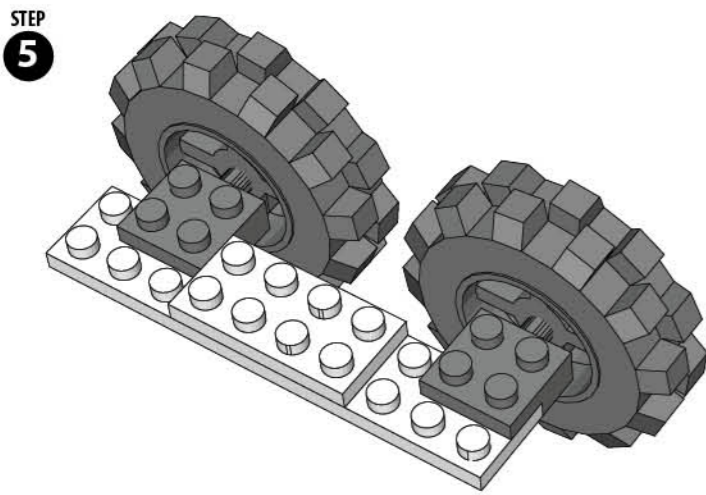
ROTATE MODEL

### Environmental Phenomena

\* The unit may malfunction if subjected to radio-frequency interference. It SHOULD revert to normal operation when the interference stops. If not, it may become necessary to turn the power off and back on, or remove and reinstall the batteries.

\* In the unlikely event of an electrostatic discharge, the unit may malfunction and lose memory, requiring the user to reset the device by removing and reinstalling the batteries.





Slide the switch to Light It Up [www.LaserPegs.com](http://www.LaserPegs.com)  
Copyright 2014 © All Rights Reserved Global & Multiple Patents Pending.  
US Patent #7,731,558



# LASER PEGS®

The Ultimate Construction Toy For Kids®

**ZD 110B MONSTER TRUCK**  
AGES 5+  
6 Models+  
Any creation you can build

**LIGHTED**  
CONSTRUCTION SET INCLUDES:

- 1 Laser Pegs®
- 66 Tinted Bricks
- Zippy Do® Power Base
- Instruction Manual

Please read this manual before you begin! Failure to follow this manual's instructions may result in damage to the Zippy Do® Power Base and/or the Zippy Do® pieces. Not adhering to these instructions will void the manufacturer's warranty. The packaging must be kept because it contains important information.

**WARNING: CHOKING HAZARD**-Small parts. Not for children under 3 yrs. Do not submerge in water.

**WARNING: STROBE LIGHTS MAY CAUSE SEIZURES**

Requires 3-LR44 Batteries **DO NOT SUBMERGE IN WATER**

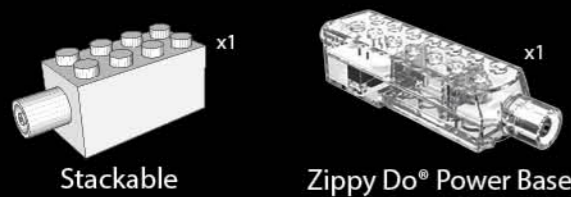


EN71, RoHS COMPLIANT

This product complies to all safety requirements of ASTM F 963

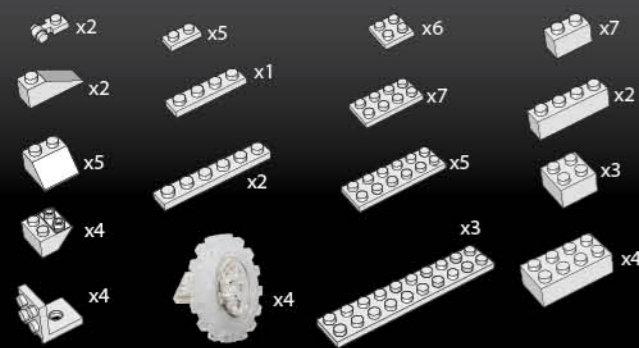


## Laser Pegs® Parts List



The toy is not to be connected to more than the recommended number of power supplies

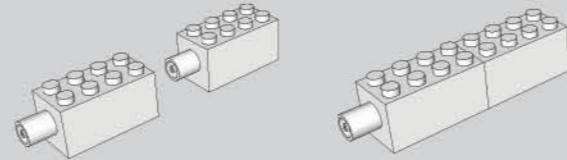
## Tinted Bricks List



[www.LaserPegs.com](http://www.LaserPegs.com)

This manual is copyright and cannot be reproduced or used online without Laser Pegs® Ventures LLC permission. Copyright 2014 © All Rights Reserved US Patent #7,731,558 Additional Global & Multiple Patents Pending. Laser Pegs® Ventures LLC. 8304 Consumer Ct Sarasota FL. 34240. Contact: Support@LaserPegs.com

## Connecting Pegs

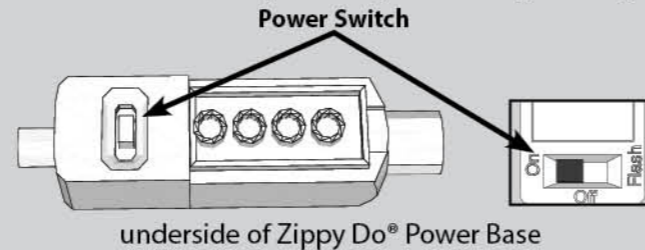


To construct with Laser Pegs®, slide two pieces together to form a connection. Slide each piece on and off smoothly. (Laser Pegs® pieces sold separately).

\*To avoid short-circuits, keep metal objects and other unauthorized materials from obstructing the peg holes.

## Slide Power Switch to turn on/off/flash

Slide Power Switch to cycle through different light settings.



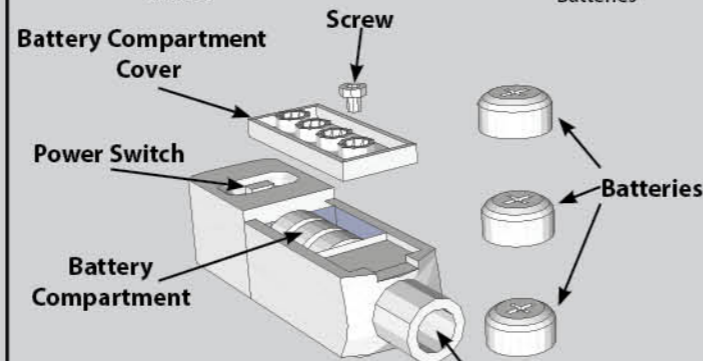
This Product contains a button battery. If swallowed, it could cause severe injury or death in just 2 hours. Seek medical attention immediately.

## Replacing Batteries

1. Remove the Phillips head screw.
2. Remove the Battery Compartment Cover.
3. Place three (3) LR44 batteries in the correct position. (Batteries are to be inserted with the correct polarity).
4. Replace the Battery Compartment Cover.
5. Replace the Phillips head screw.
6. Slide Power Switch to turn on!
7. Do not mix old and new batteries.
8. Do not mix alkaline, standard (carbon-zinc), or rechargeable (nickel-cadmium, NiMH) batteries!
9. Exhausted batteries are to be removed from the power base.
10. Batteries should be recycled or disposed of as per state and local guidelines.
11. Non-rechargeable batteries are not to be recharged.
12. Rechargeable batteries are only to be recharged under adult supervision.
13. Rechargeable batteries are to be removed from the toy before being recharged.
14. The supply terminals are not to be short-circuited.
15. Do NOT throw batteries into fire!

Remove the Phillips head screw with a 4mm screw driver.

Requires 3-LR44 Button Cell Batteries



**BATTERIES ARE TO BE INSERTED INTO THE TOY BY AN ADULT ONLY!**

Connects to other Laser Pegs® pieces

ONLY ADULTS SHOULD INSTALL THE BATTERIES

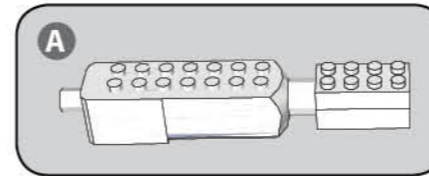
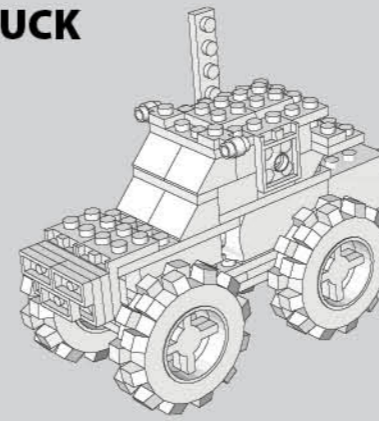
TROPHY TRUCK: The fastest off-road pickup-like truck designed to race in the desert.



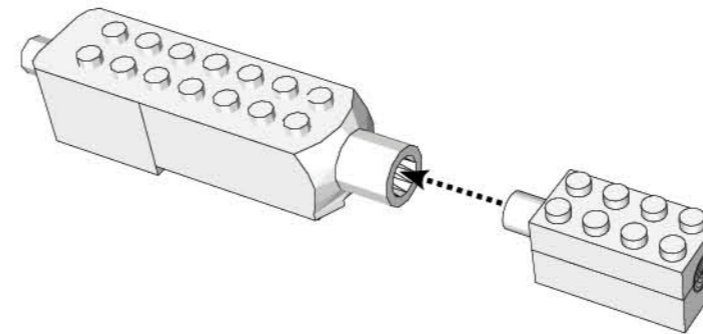
## TROPHY TRUCK

Model Difficulty Level

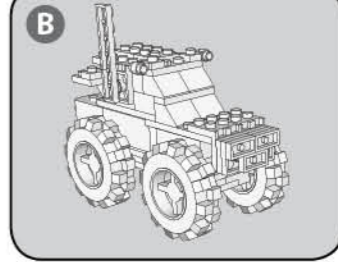
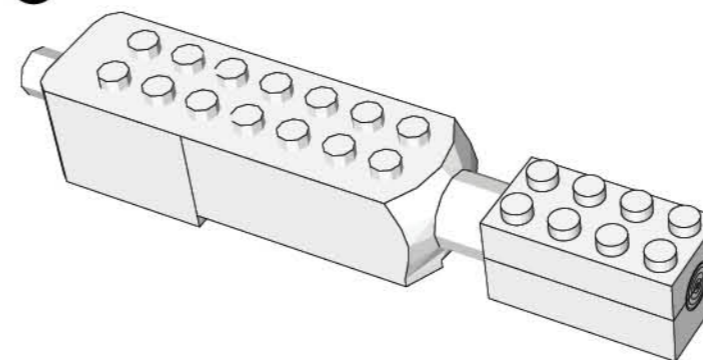
3



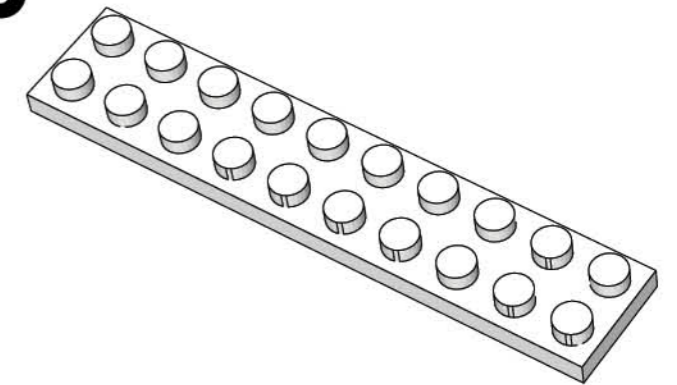
STEP 1



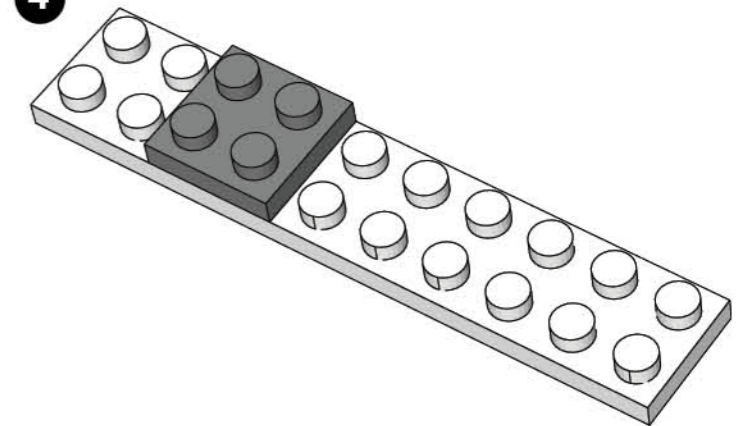
STEP 2



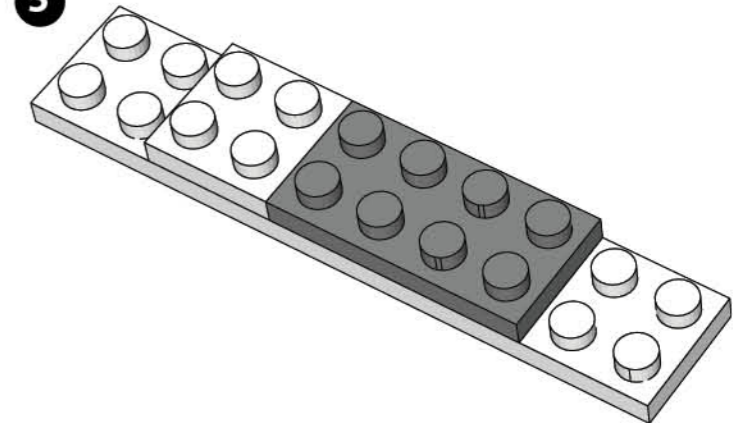
STEP 3



STEP 4



STEP 5



Laser Pegs® CARES  
Questions? Comments?  
For additional compliance info:  
1-866-432-3735  
Contact: Support@LaserPegs.com



COMBINE PARTS



FLIP MODEL OVER



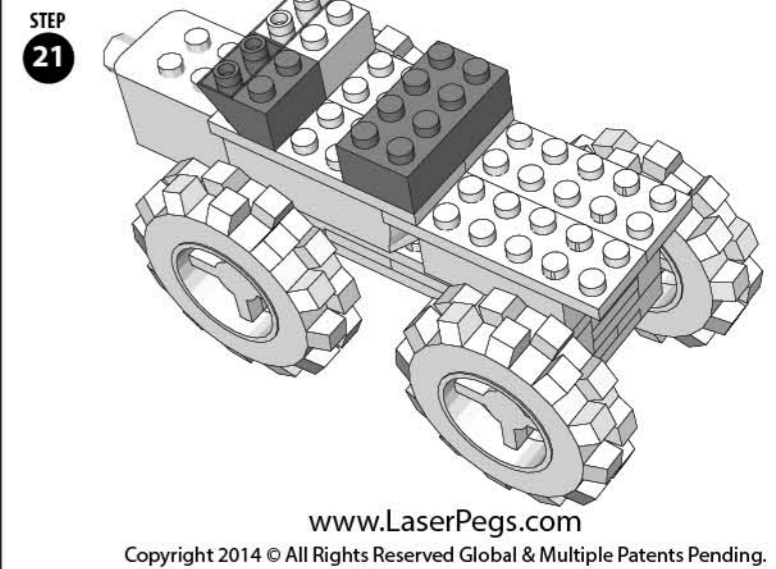
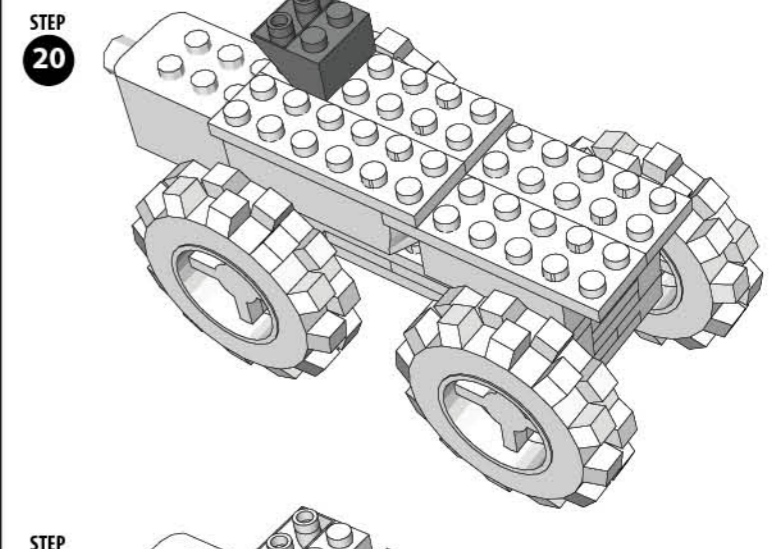
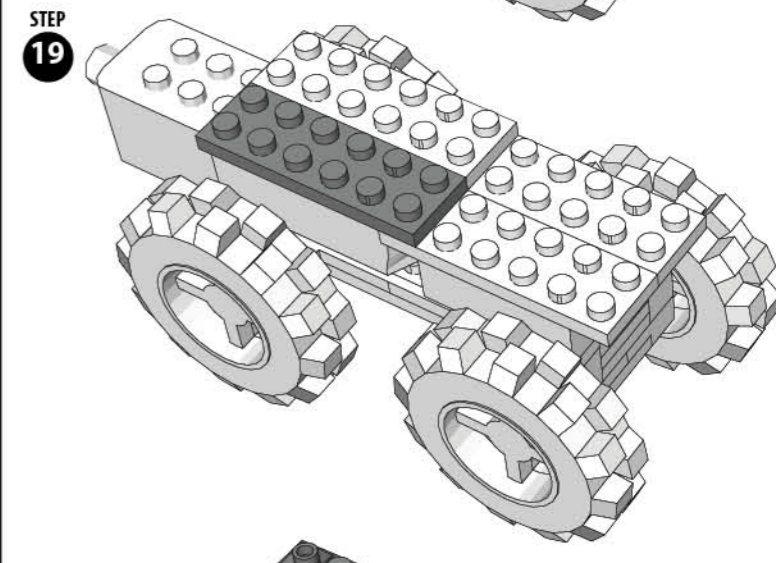
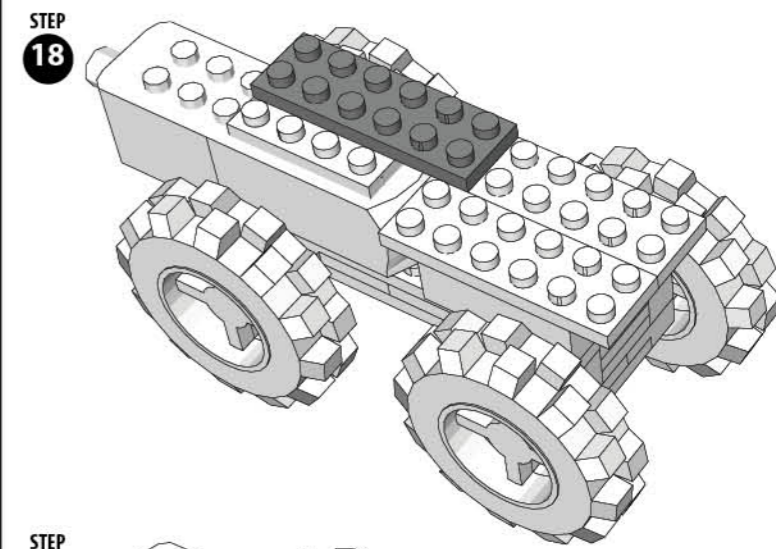
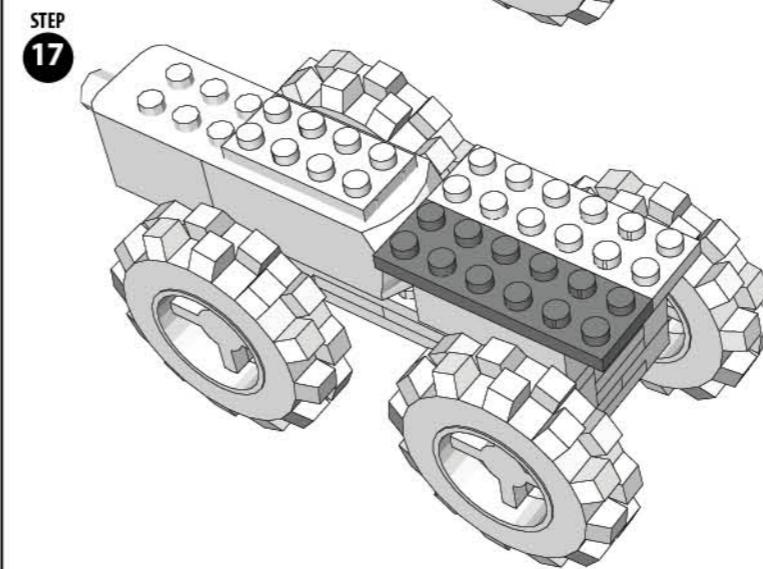
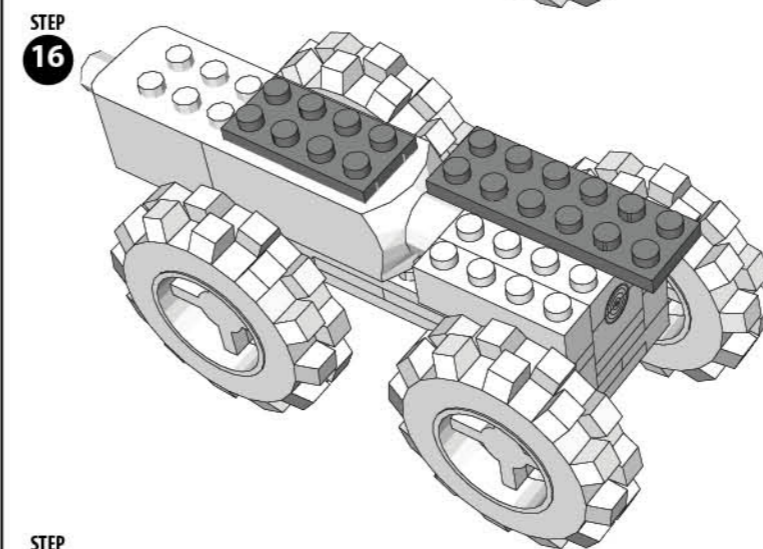
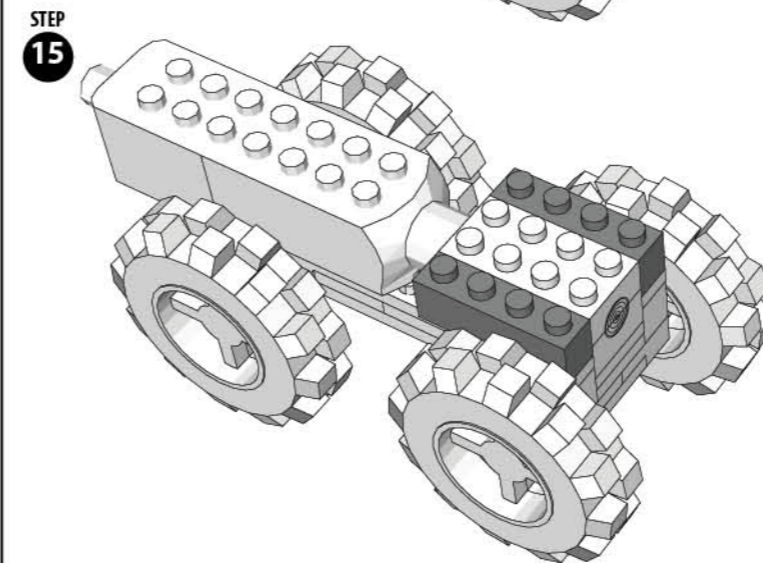
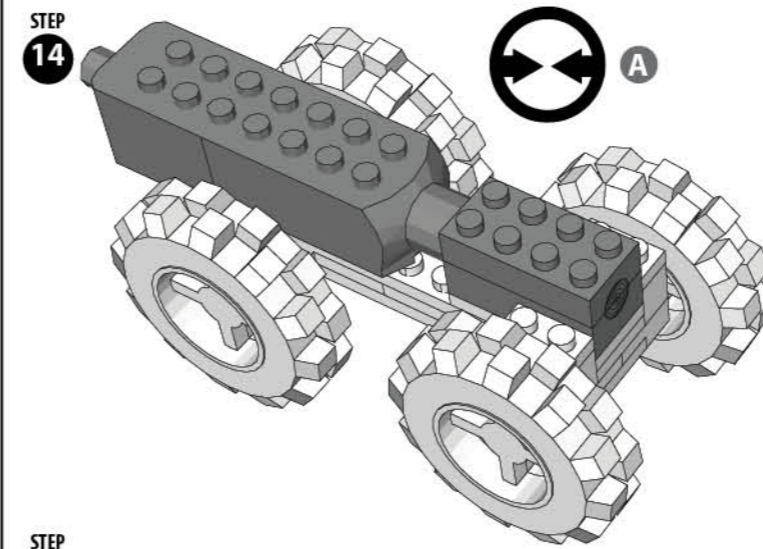
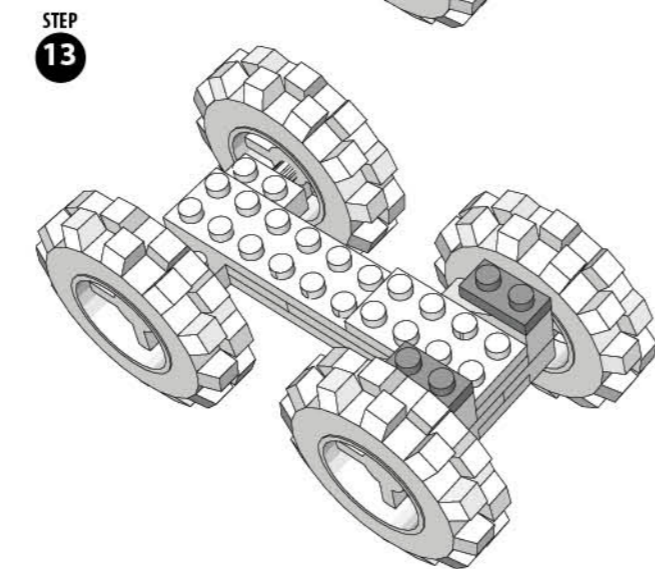
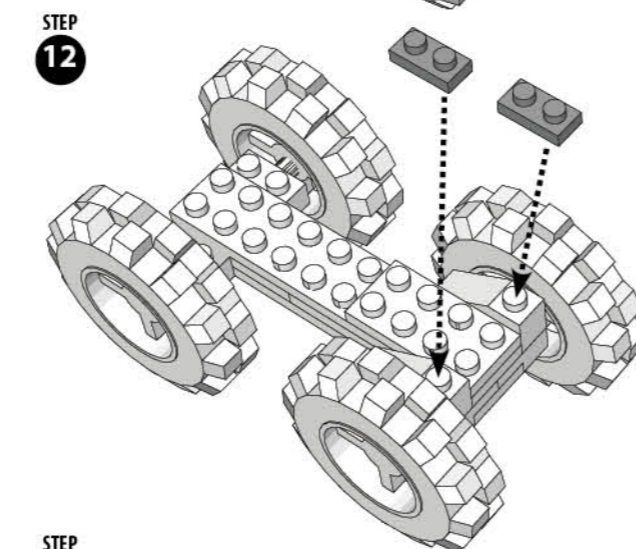
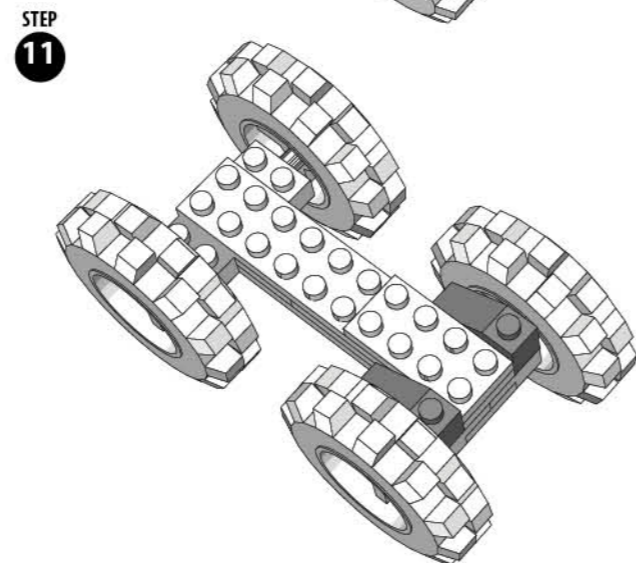
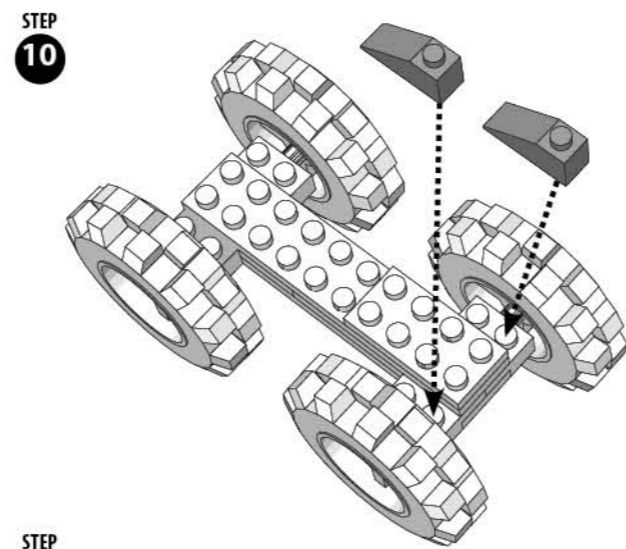
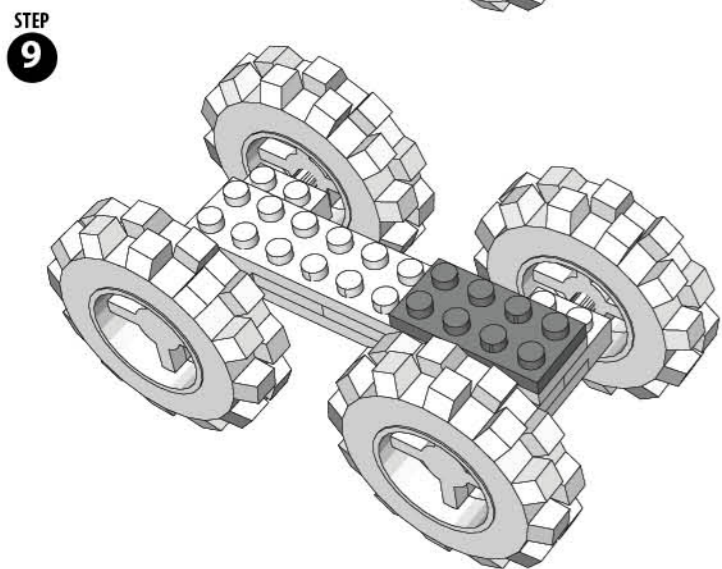
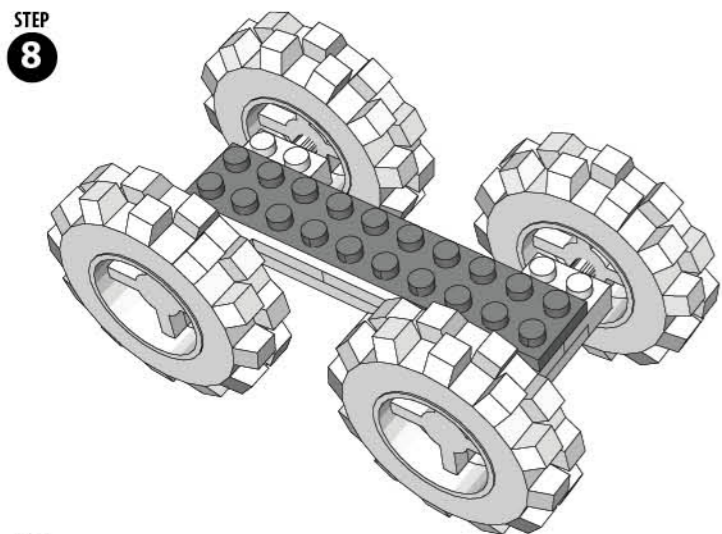
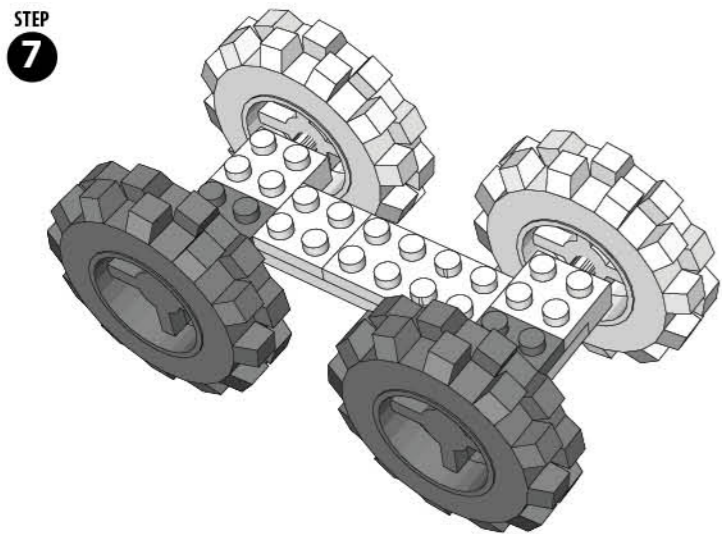
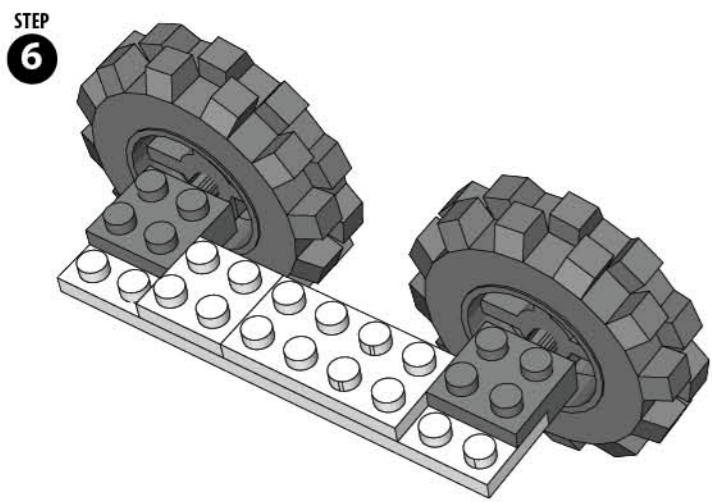
ROTATE MODEL

### Environmental Phenomena

\*The unit may malfunction if subjected to radio-frequency interference. It SHOULD revert to normal operation when the interference stops. If not, it may become necessary to turn the power off and back on, or remove and reinstall the batteries.

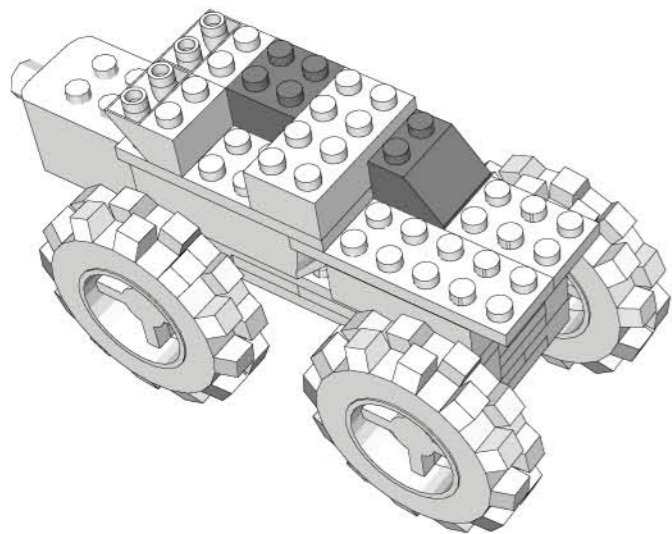
\*In the unlikely event of an electrostatic discharge, the unit may malfunction and lose memory, requiring the user to reset the device by removing and reinstalling the batteries.



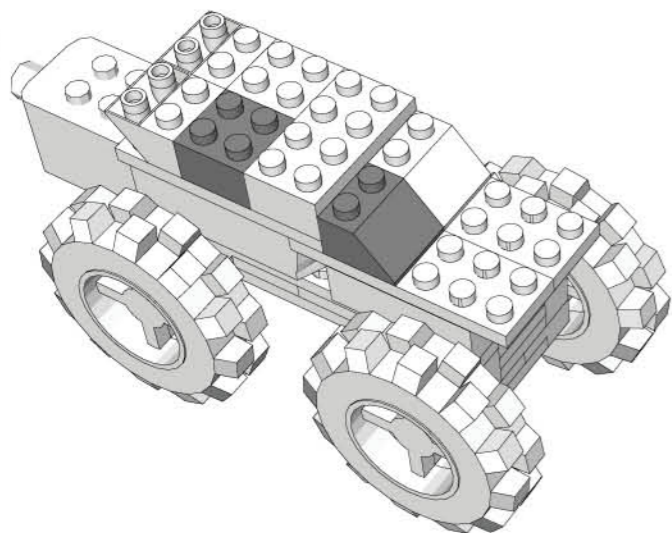




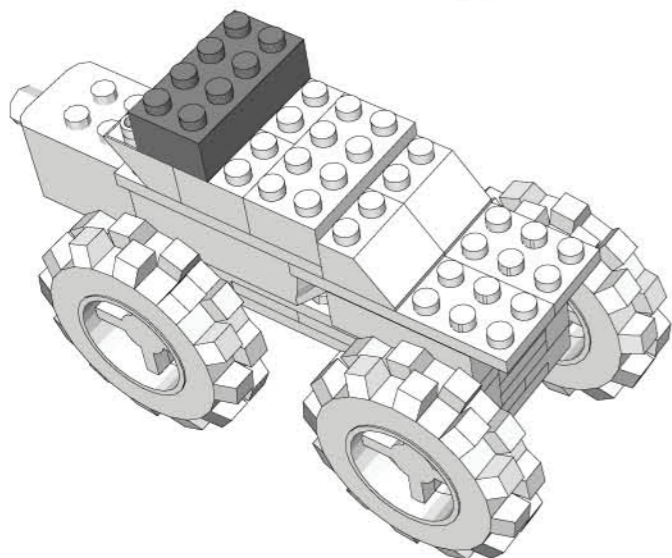
STEP 22



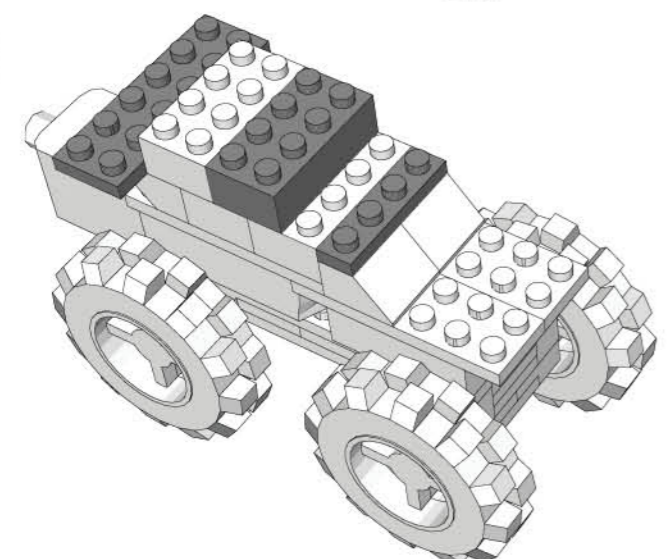
STEP 23



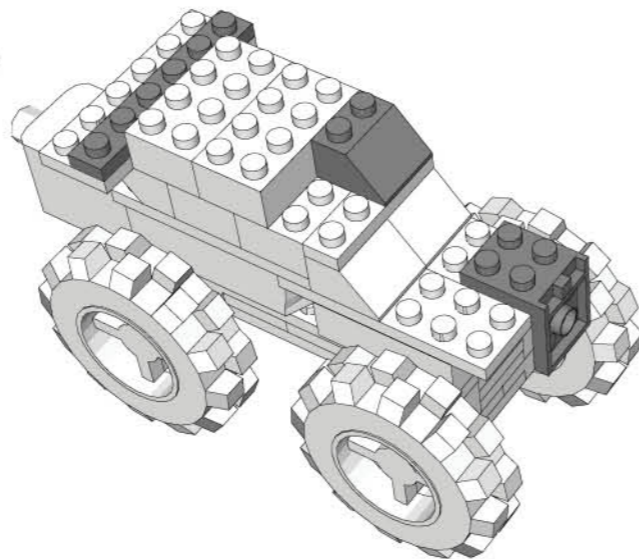
STEP 24



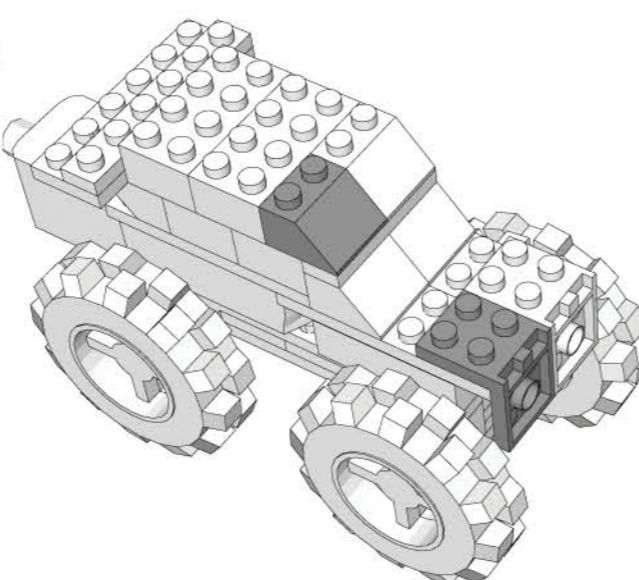
STEP 25



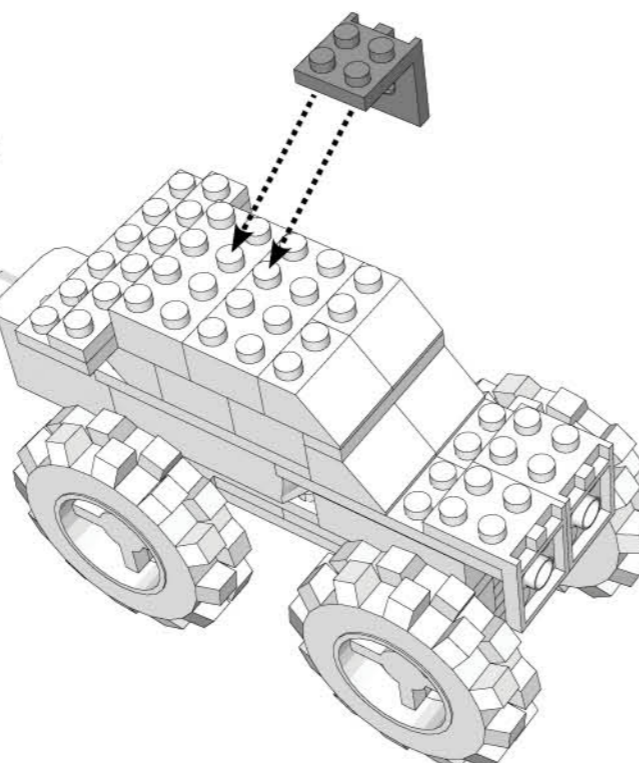
STEP 26



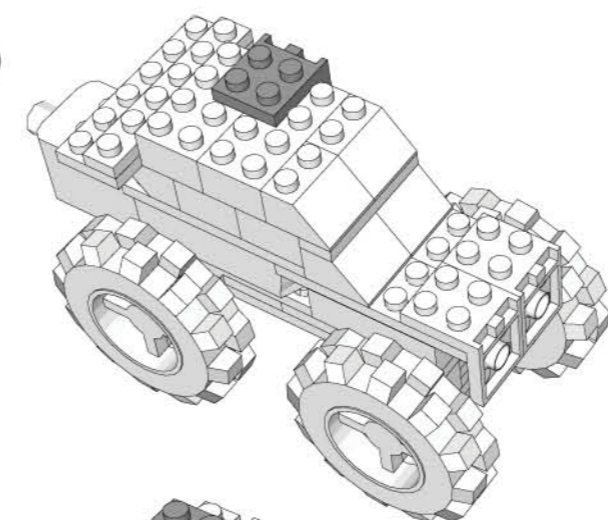
STEP 27



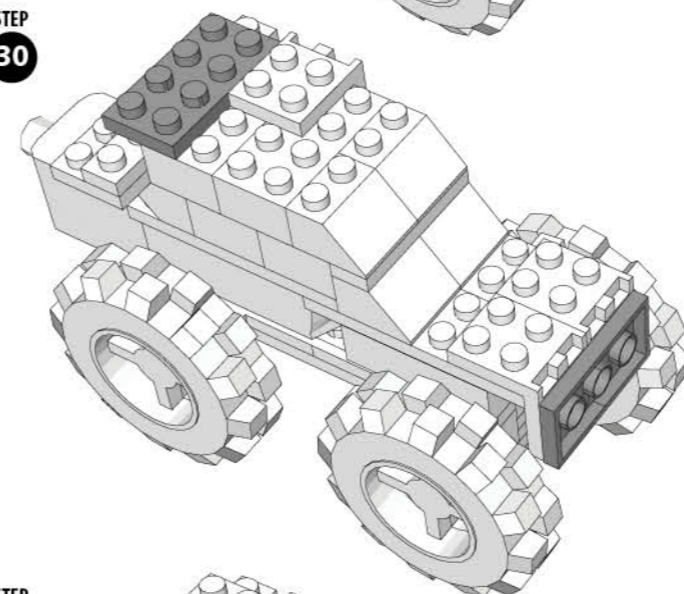
STEP 28



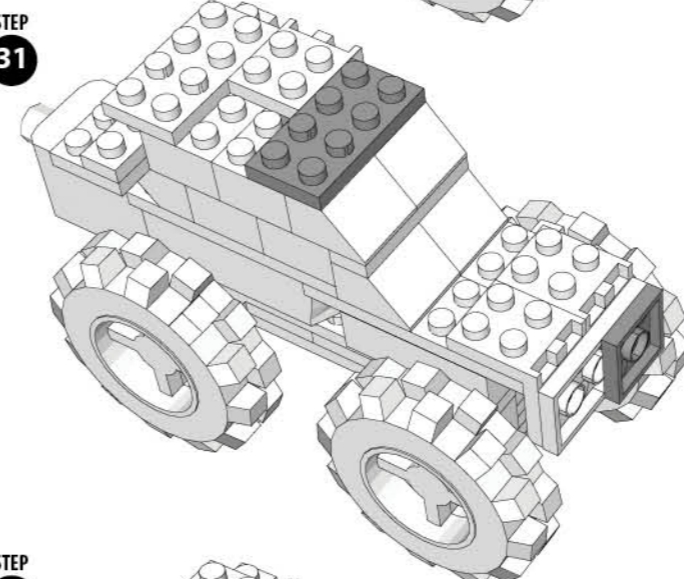
STEP 29



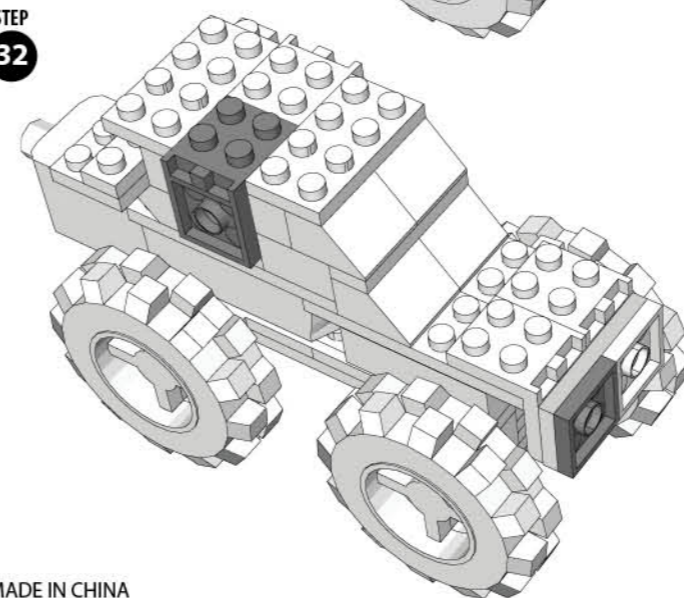
STEP 30



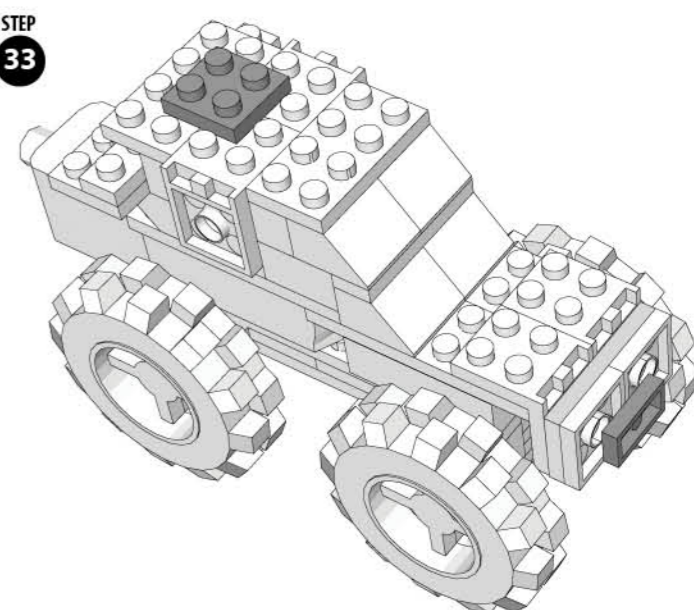
STEP 31



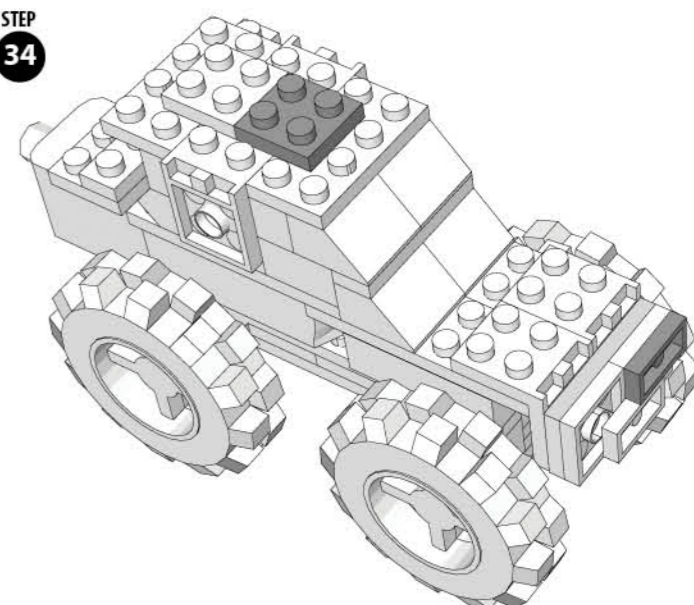
STEP 32



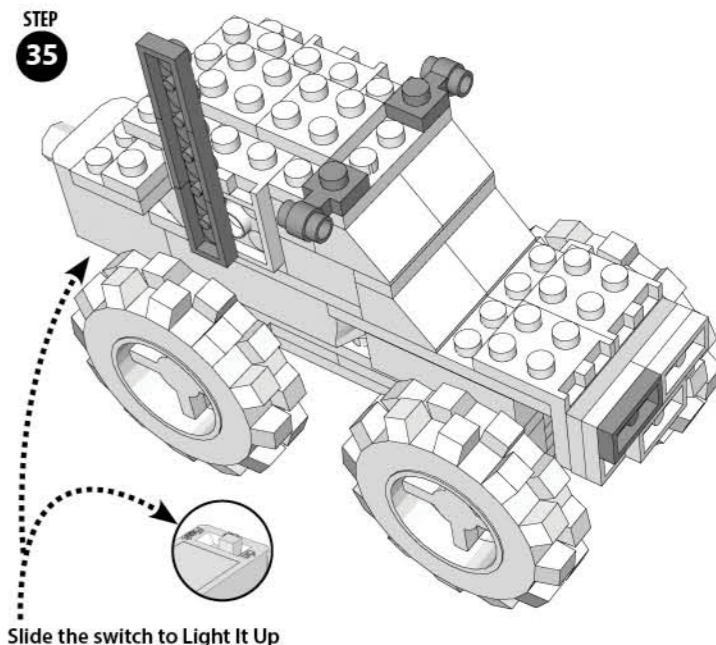
STEP 33



STEP 34



STEP 35



Slide the switch to Light It Up

[www.LaserPegs.com](http://www.LaserPegs.com)

Copyright 2014 © All Rights Reserved Global & Multiple Patents Pending.  
US Patent #7,731,558

MADE IN CHINA