

LASER PEGS®

The Ultimate Construction Toy For Kids®

ZD 120B TRACTOR
AGES 5+

6 Models+
Any creation you can build

LIGHTED
CONSTRUCTION SET INCLUDES:

- 1 Laser Pegs®
- 64 Tinted Bricks
- Zippy Do® Power Base
- Instruction Manual

Please read this manual before you begin! Failure to follow this manual's instructions may result in damage to the Zippy Do® Power Base and/or the Zippy Do® pieces. Not adhering to these instructions will void the manufacturer's warranty. The packaging must be kept because it contains important information.

WARNING: CHOKING HAZARD-Small parts. Not for children under 3 yrs. Do not submerge in water.

WARNING: STROBE LIGHTS MAY CAUSE SEIZURES

Requires 3-LR44 Batteries **DO NOT SUBMERGE IN WATER**

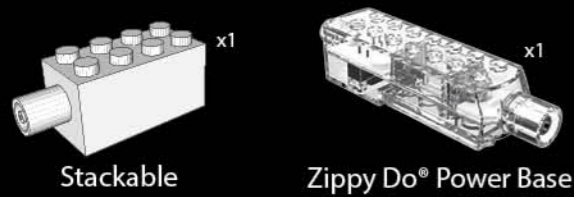
Batteries Included

EN71, RoHS COMPLIANT

This product complies to all safety requirements of ASTM F 963

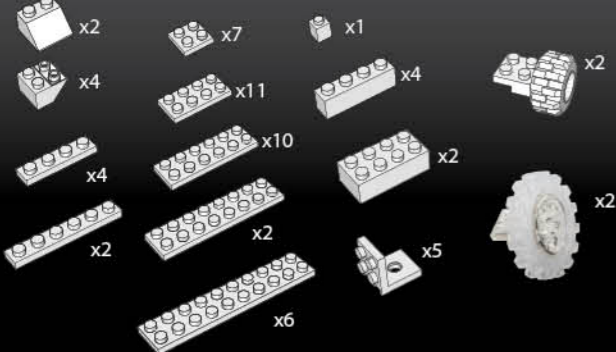


Laser Pegs® Parts List



The toy is not to be connected to more than the recommended number of power supplies

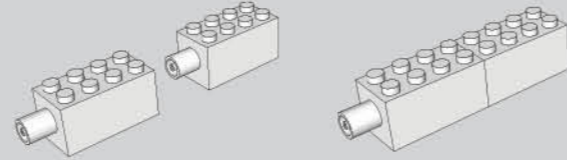
Tinted Bricks List



www.LaserPegs.com

This manual is copyright and cannot be reproduced or used online without Laser Pegs® Ventures LLC permission. Copyright 2014 © All Rights Reserved US Patent #7,731,558 Additional Global & Multiple Patents Pending. Laser Pegs® Ventures LLC. 8304 Consumer Ct Sarasota FL. 34240. Contact: Support@LaserPegs.com

Connecting Pegs

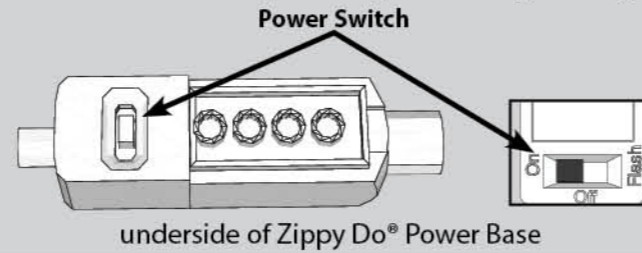


To construct with Laser Pegs®, slide two pieces together to form a connection. Slide each piece on and off smoothly. (Laser Pegs® pieces sold separately).

*To avoid short-circuits, keep metal objects and other unauthorized materials from obstructing the peg holes.

Slide Power Switch to turn on/off/flash

Slide Power Switch to cycle through different light settings.



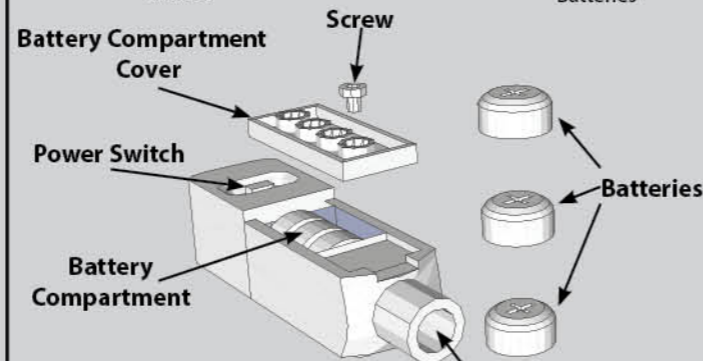
This Product contains a button battery. If swallowed, it could cause severe injury or death in just 2 hours. Seek medical attention immediately.

Replacing Batteries

1. Remove the Phillips head screw.
2. Remove the Battery Compartment Cover.
3. Place three (3) LR44 batteries in the correct position. (Batteries are to be inserted with the correct polarity).
4. Replace the Battery Compartment Cover.
5. Replace the Phillips head screw.
6. Slide Power Switch to turn on!
7. Do not mix old and new batteries.
8. Do not mix alkaline, standard (carbon-zinc), or rechargeable (nickel-cadmium, NiMH) batteries!
9. Exhausted batteries are to be removed from the power base.
10. Batteries should be recycled or disposed of as per state and local guidelines.
11. Non-rechargeable batteries are not to be recharged.
12. Rechargeable batteries are only to be recharged under adult supervision.
13. Rechargeable batteries are to be removed from the toy before being recharged.
14. The supply terminals are not to be short-circuited.
15. Do NOT throw batteries into fire!

Remove the Phillips head screw with a 4mm screw driver.

Requires 3-LR44 Button Cell Batteries



BATTERIES ARE TO BE INSERTED INTO THE TOY BY AN ADULT ONLY!

Connects to other Laser Pegs® pieces

ONLY ADULTS SHOULD INSTALL THE BATTERIES

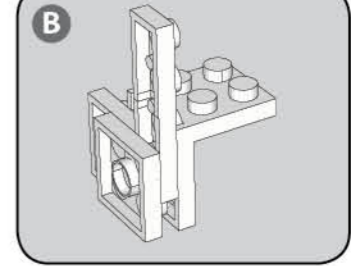
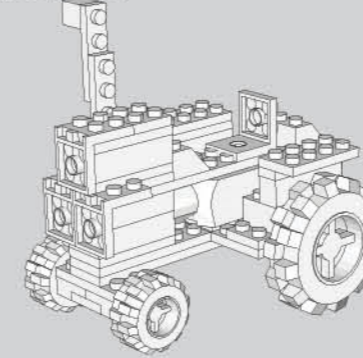
COMPACT TRACTOR: A medium-sized and durable multi-purpose personal or professional tractor.



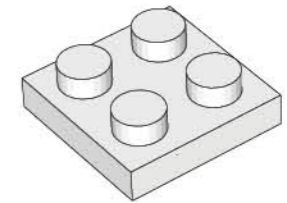
COMPACT TRACTOR

Model Difficulty Level

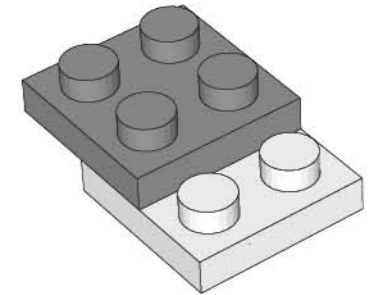
3



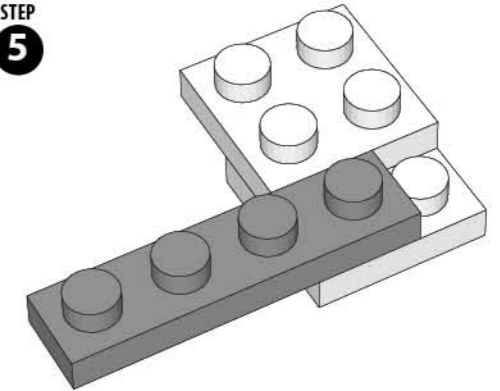
STEP 3



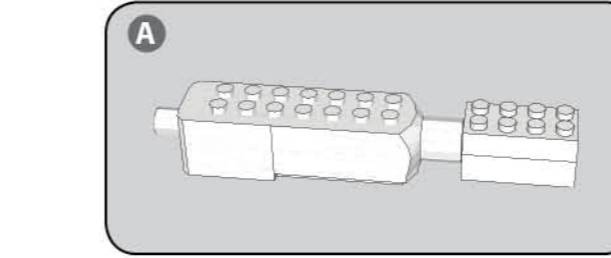
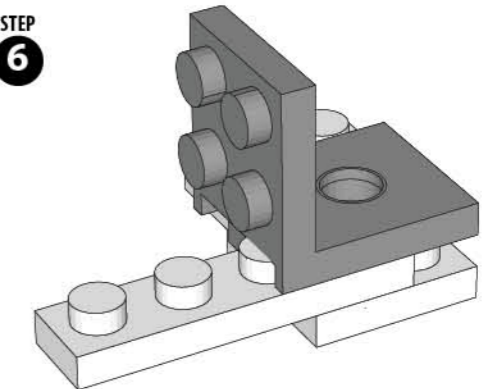
STEP 4



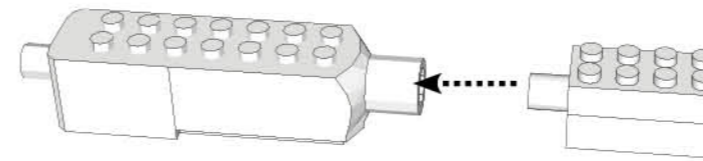
STEP 5



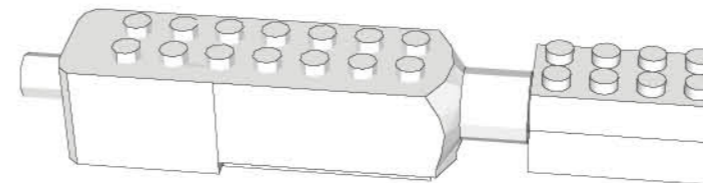
STEP 6



STEP 1



STEP 2



COMBINE PARTS



FLIP MODEL OVER

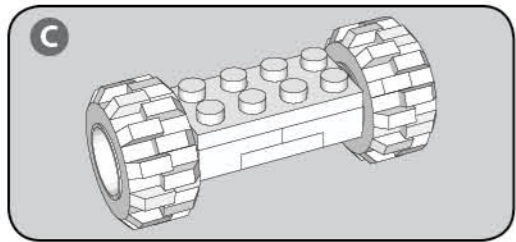


ROTATE MODEL

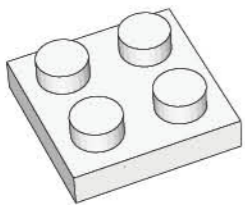
Environmental Phenomena

*The unit may malfunction if subjected to radio-frequency interference. It SHOULD revert to normal operation when the interference stops. If not, it may become necessary to turn the power off and back on, or remove and reinstall the batteries.

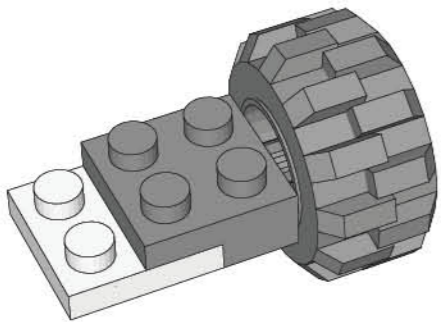
*In the unlikely event of an electrostatic discharge, the unit may malfunction and lose memory, requiring the user to reset the device by removing and reinstalling the batteries.



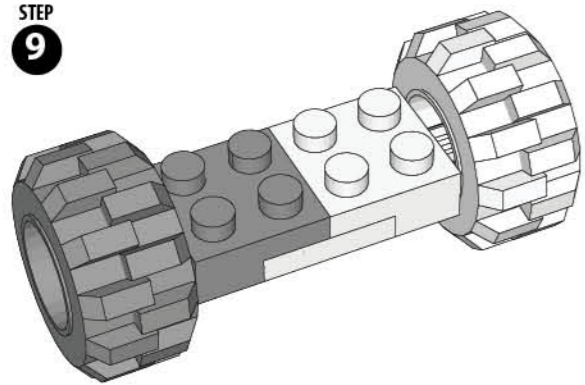
STEP 7



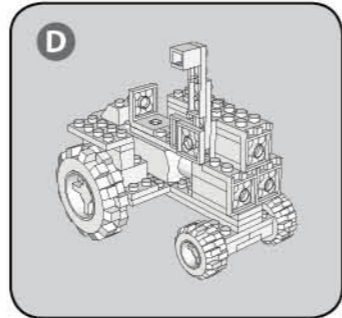
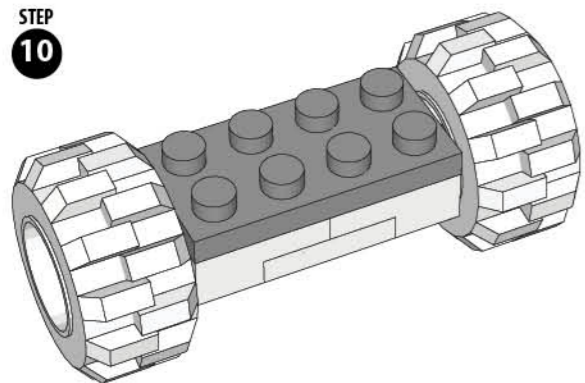
STEP 8



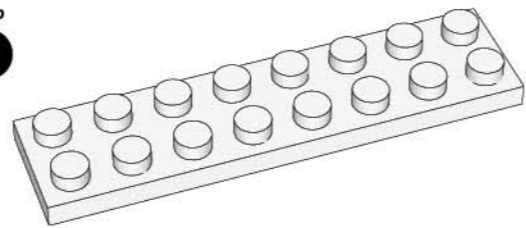
STEP 9



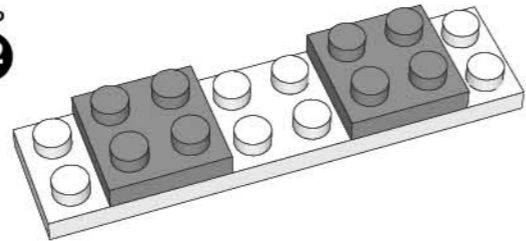
STEP 10



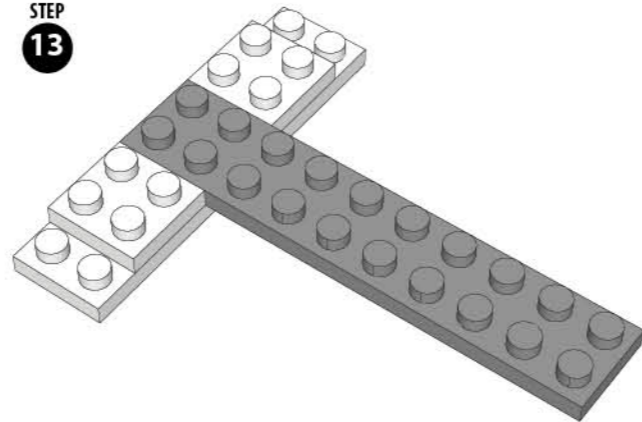
STEP 11



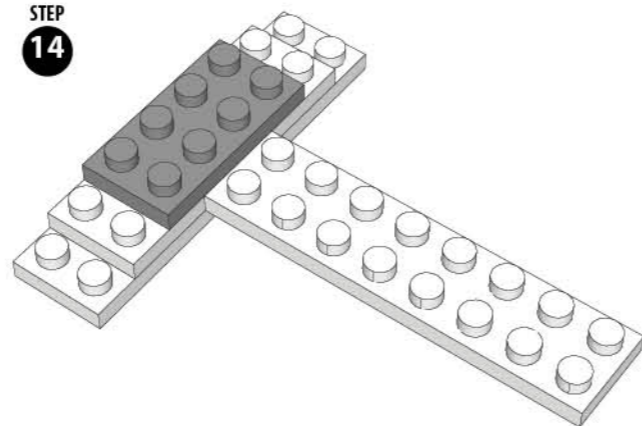
STEP 12



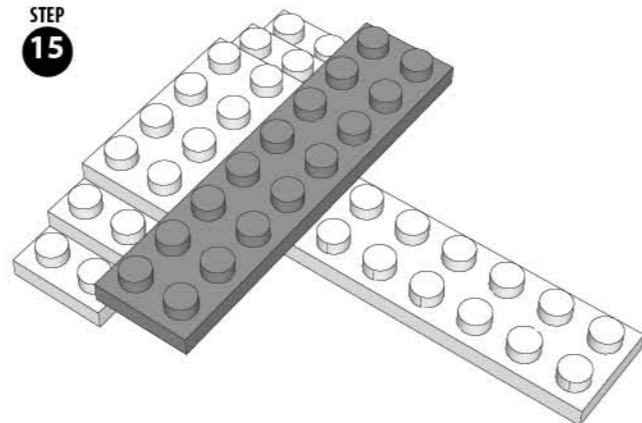
STEP 13



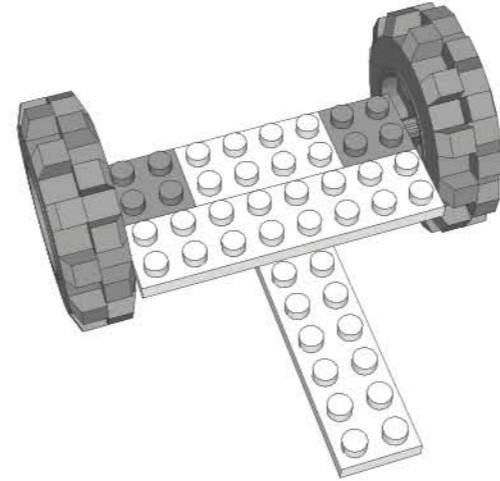
STEP 14



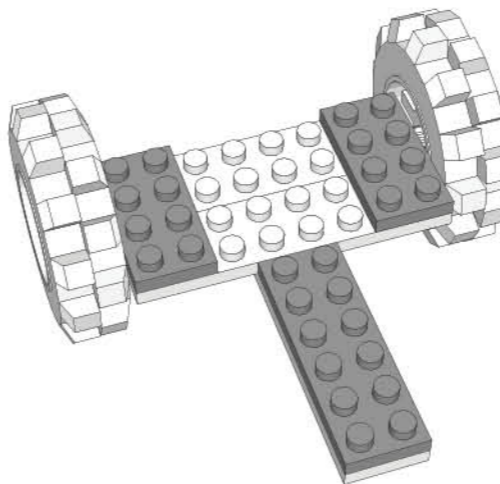
STEP 15



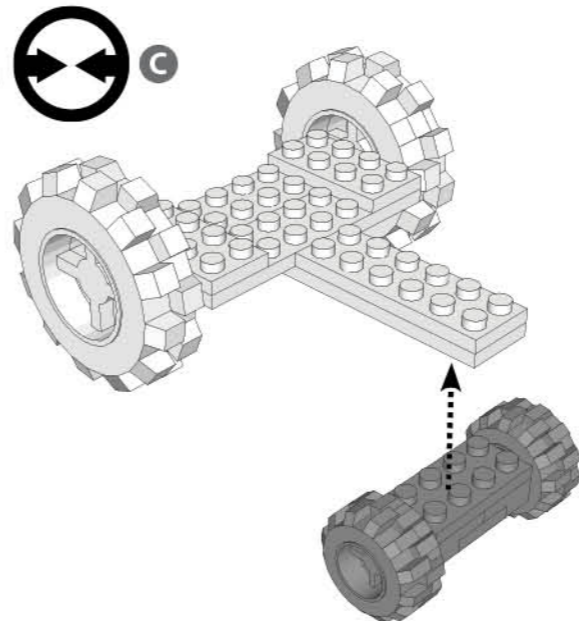
STEP 16



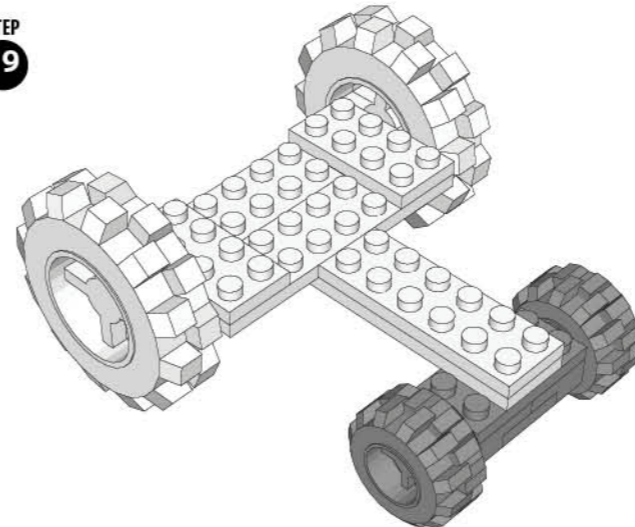
STEP 17



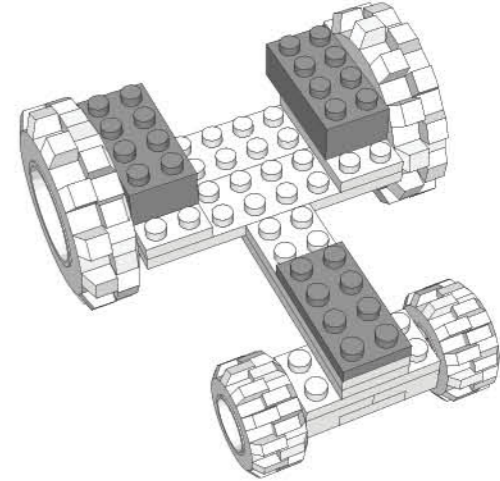
STEP 18



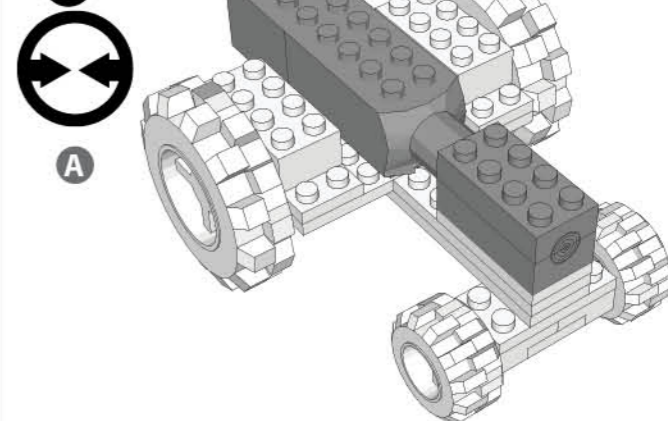
STEP 19



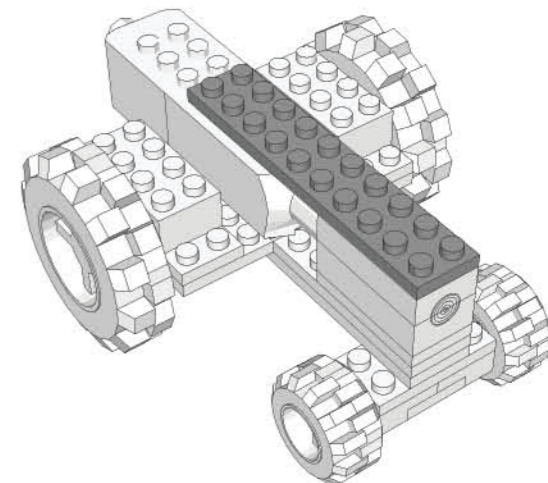
STEP 20



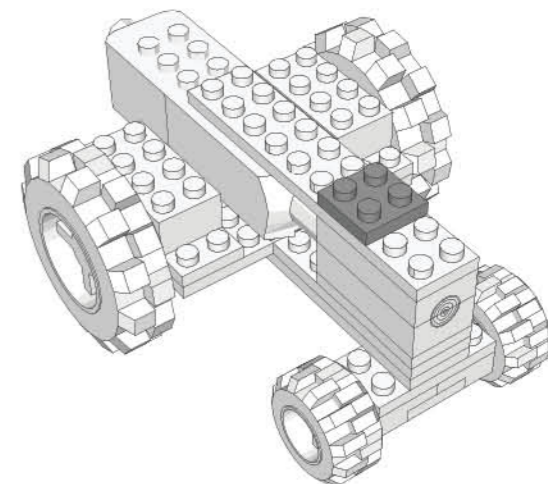
STEP 21



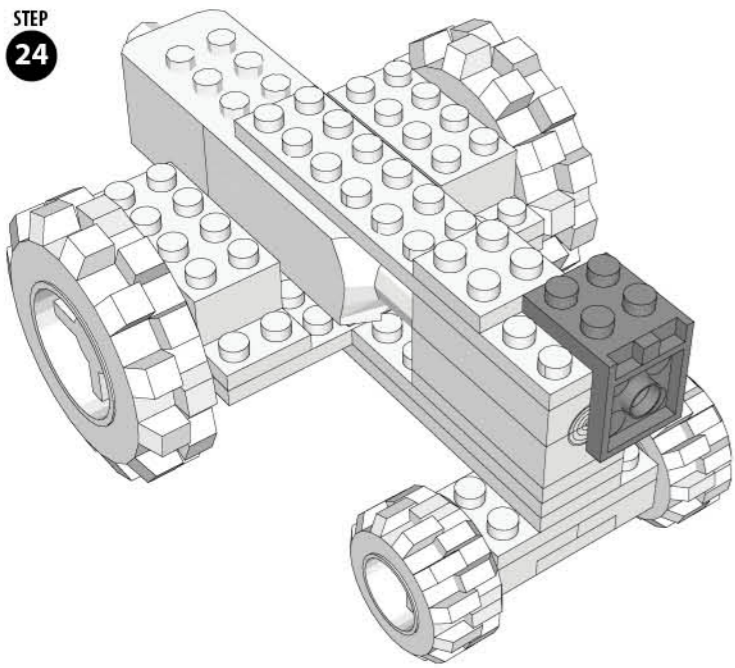
STEP 22



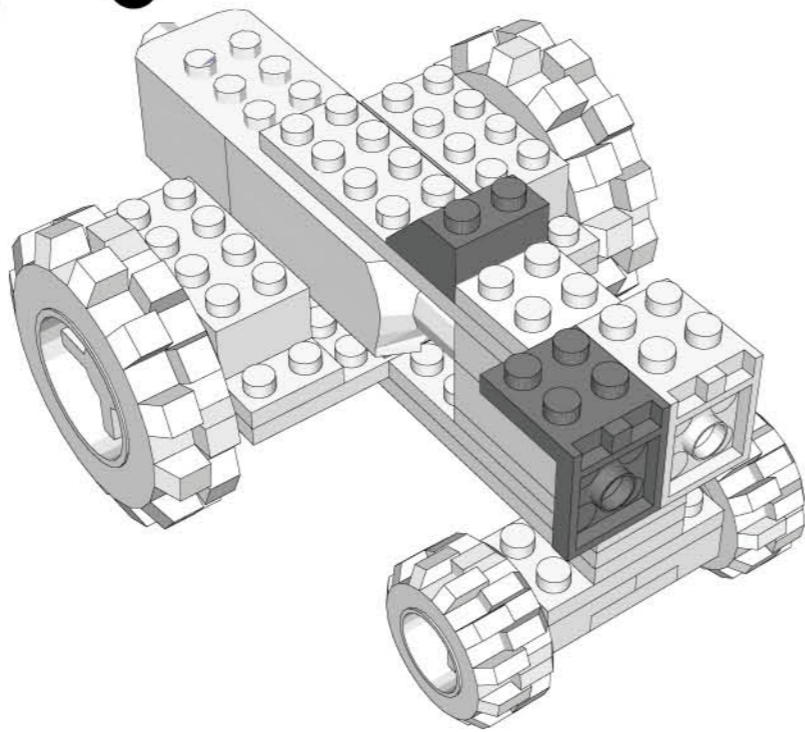
STEP 23



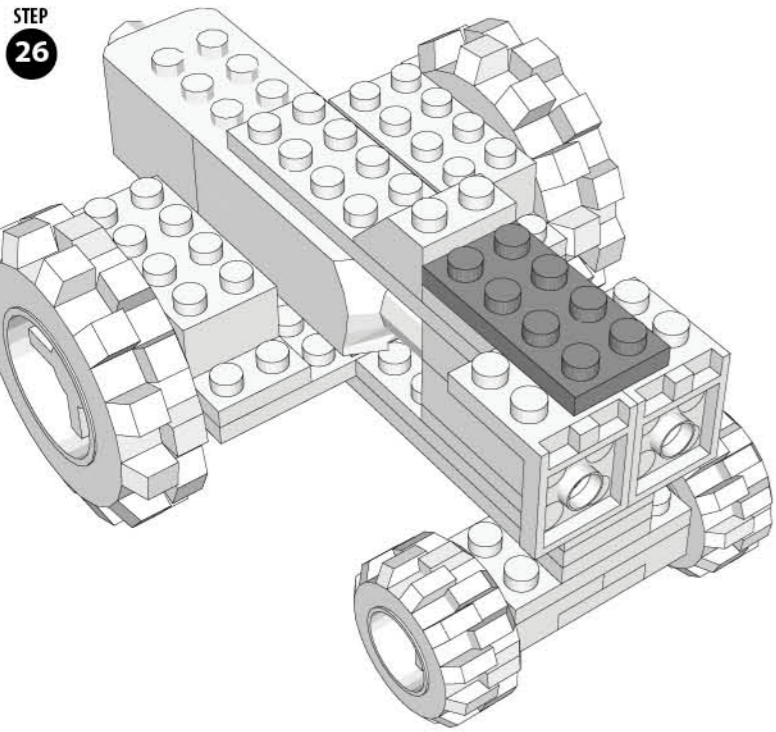
STEP
24



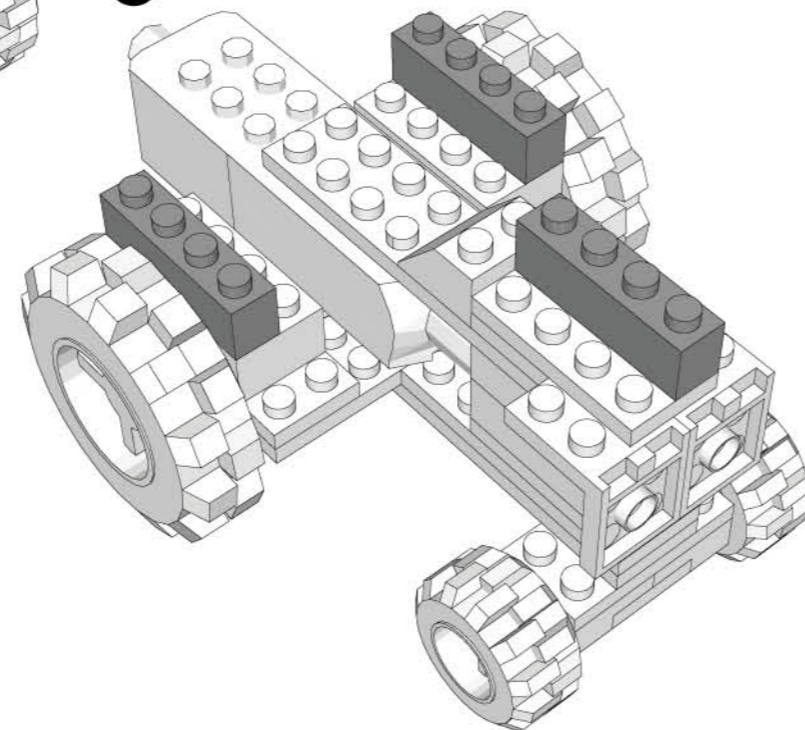
STEP
25



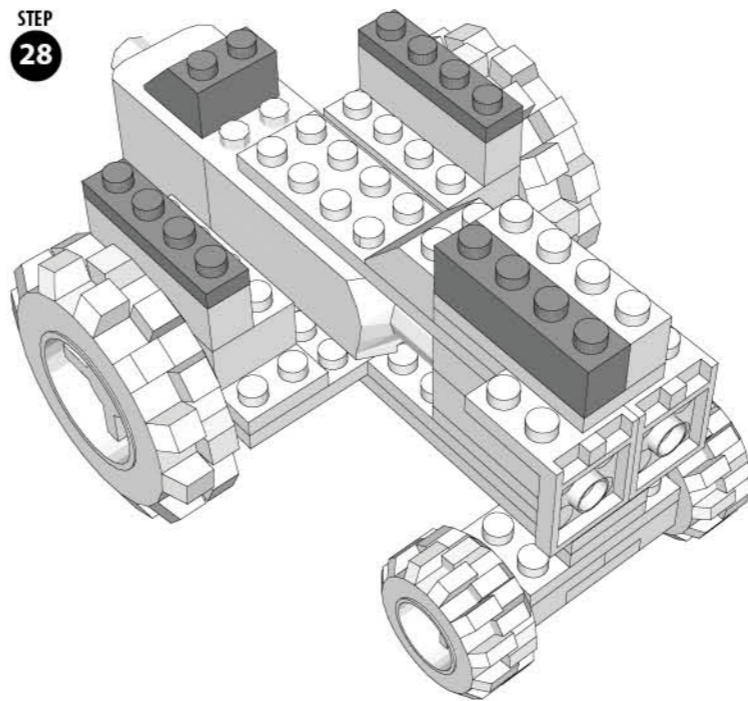
STEP
26



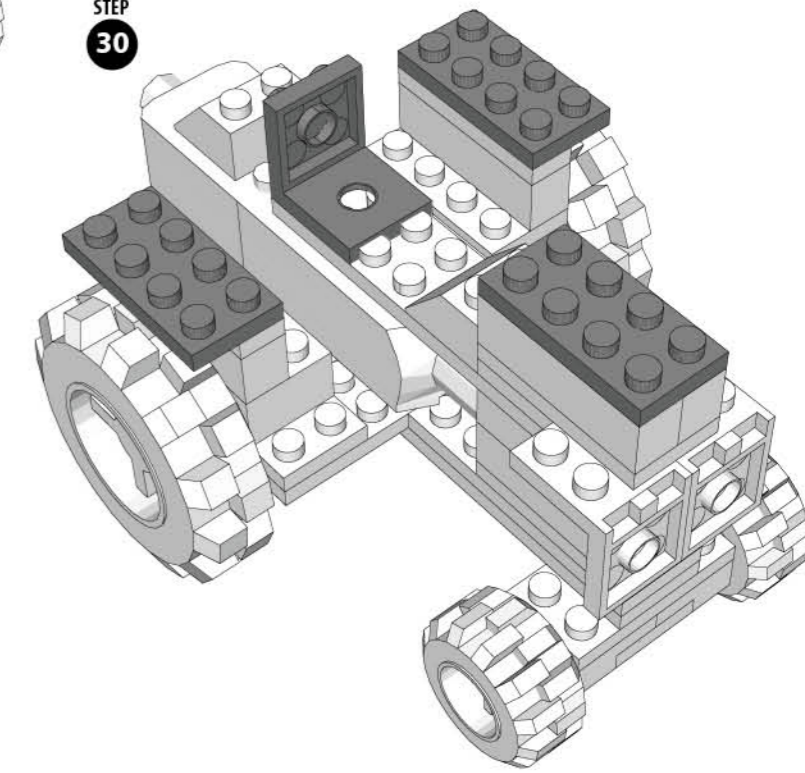
STEP
27



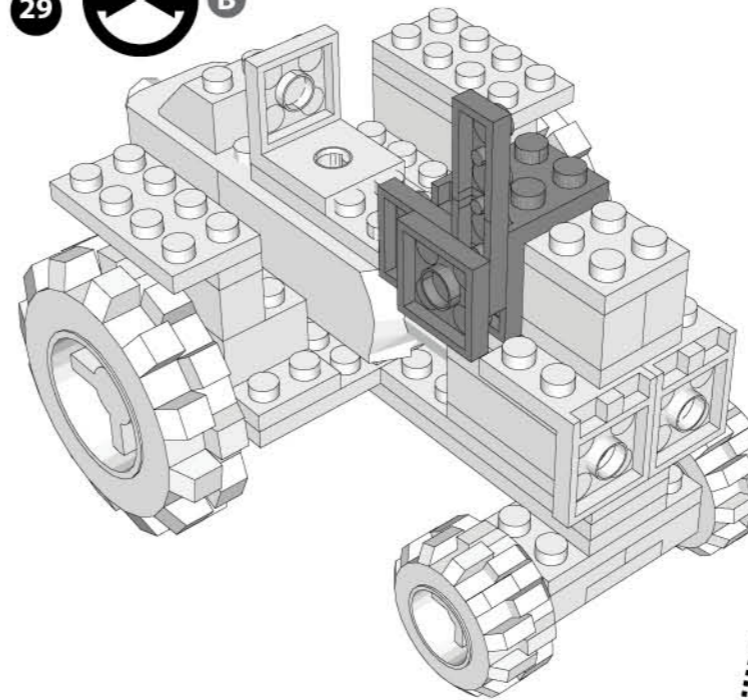
STEP
28



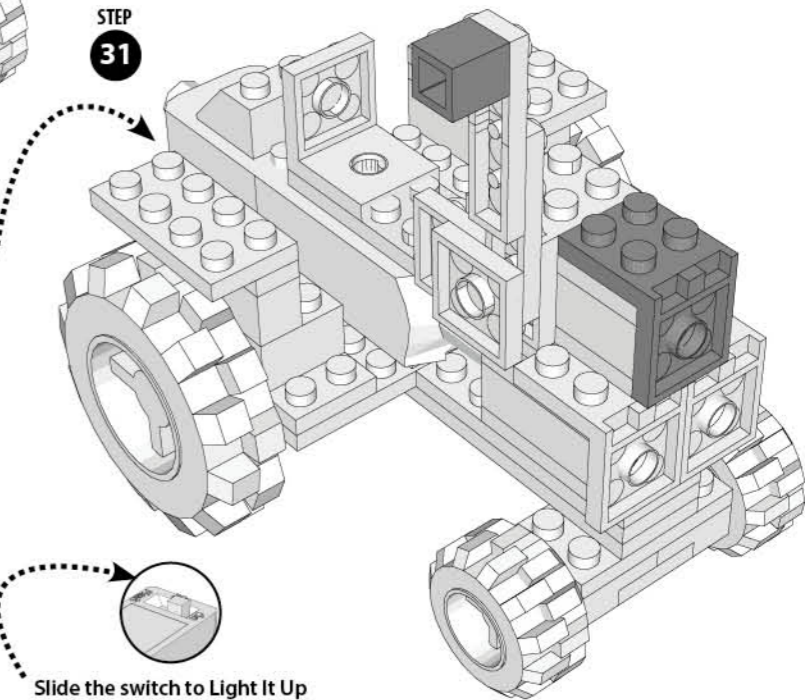
STEP
30



STEP
29



STEP
31



Slide the switch to Light It Up

Laser Pegs® CARES
Questions? Comments?
For additional compliance info:
1-866-432-3735
Contact: Support@LaserPegs.com

MADE IN CHINA

www.LaserPegs.com
Copyright 2014 © All Rights Reserved Global & Multiple Patents Pending.
US Patent #7,731,558

LASER PEGS®

The Ultimate Construction Toy For Kids®

ZD 120B TRACTOR
AGES 5+

6 Models+
Any creation you can build

LIGHTED
CONSTRUCTION SET INCLUDES:

- 1 Laser Pegs®
- 64 Tinted Bricks
- Zippy Do® Power Base
- Instruction Manual

Please read this manual before you begin! Failure to follow this manual's instructions may result in damage to the Zippy Do® Power Base and/or the Zippy Do® pieces. Not adhering to these instructions will void the manufacturer's warranty. The packaging must be kept because it contains important information.

WARNING: CHOKING HAZARD-Small parts. Not for children under 3 yrs. Do not submerge in water.

WARNING: STROBE LIGHTS MAY CAUSE SEIZURES

Requires 3-LR44 Batteries **DO NOT SUBMERGE IN WATER**

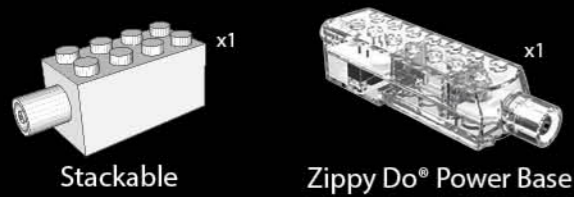
Batteries Included

EN71, RoHS COMPLIANT

This product complies to all safety requirements of ASTM F 963

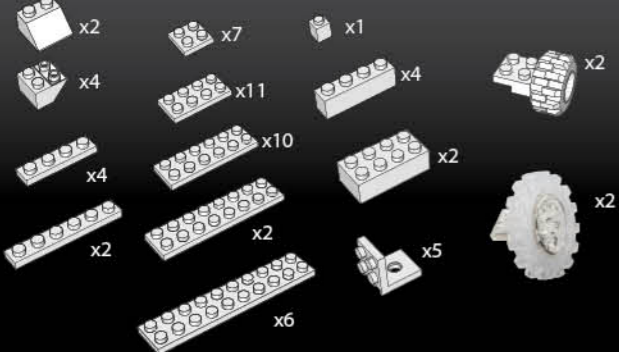


Laser Pegs® Parts List



The toy is not to be connected to more than the recommended number of power supplies

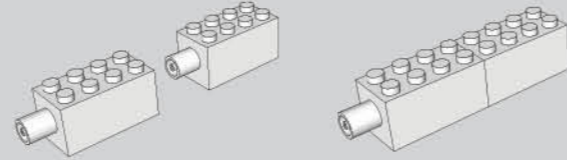
Tinted Bricks List



www.LaserPegs.com

This manual is copyright and cannot be reproduced or used online without Laser Pegs® Ventures LLC permission. Copyright 2014 © All Rights Reserved US Patent #7,731,558 Additional Global & Multiple Patents Pending. Laser Pegs® Ventures LLC. 8304 Consumer Ct Sarasota FL. 34240. Contact: Support@LaserPegs.com

Connecting Pegs

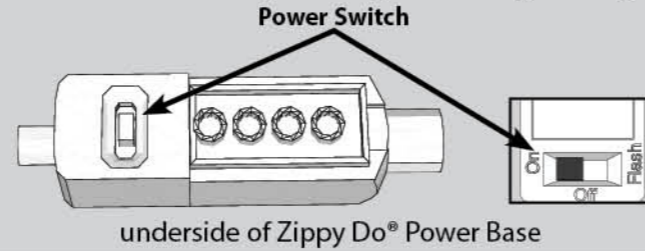


To construct with Laser Pegs®, slide two pieces together to form a connection. Slide each piece on and off smoothly. (Laser Pegs® pieces sold separately).

*To avoid short-circuits, keep metal objects and other unauthorized materials from obstructing the peg holes.

Slide Power Switch to turn on/off/flash

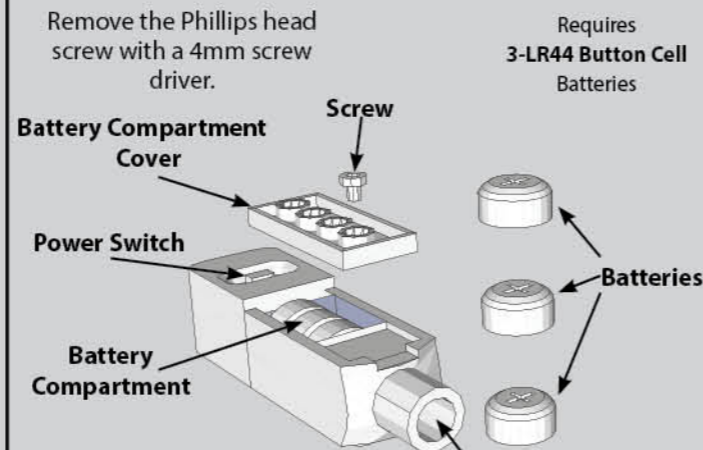
Slide Power Switch to cycle through different light settings.



This Product contains a button battery. If swallowed, it could cause severe injury or death in just 2 hours. Seek medical attention immediately.

Replacing Batteries

1. Remove the Phillips head screw.
2. Remove the Battery Compartment Cover.
3. Place three (3) LR44 batteries in the correct position. (Batteries are to be inserted with the correct polarity).
4. Replace the Battery Compartment Cover.
5. Replace the Phillips head screw.
6. Slide Power Switch to turn on!
7. Do not mix old and new batteries.
8. Do not mix alkaline, standard (carbon-zinc), or rechargeable (nickel-cadmium, NiMH) batteries!
9. Exhausted batteries are to be removed from the power base.
10. Batteries should be recycled or disposed of as per state and local guidelines.
11. Non-rechargeable batteries are not to be recharged.
12. Rechargeable batteries are only to be recharged under adult supervision.
13. Rechargeable batteries are to be removed from the toy before being recharged.
14. The supply terminals are not to be short-circuited.
15. Do NOT throw batteries into fire!



BATTERIES ARE TO BE INSERTED INTO THE TOY BY AN ADULT ONLY!

Connects to other Laser Pegs® pieces

ONLY ADULTS SHOULD INSTALL THE BATTERIES

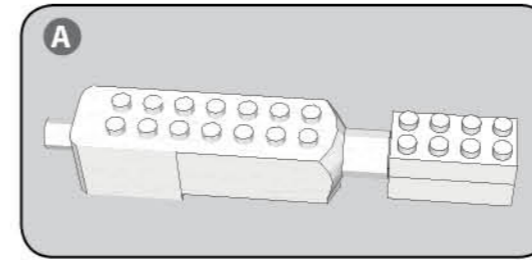
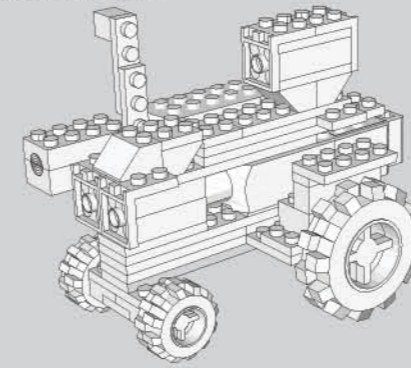
HIGH CROP TRACTOR: Specially designed to move safely over tall crops without damaging them.



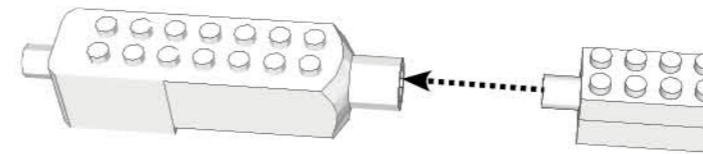
HIGH CROP TRACTOR

Model Difficulty Level

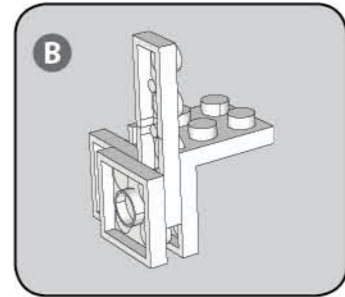
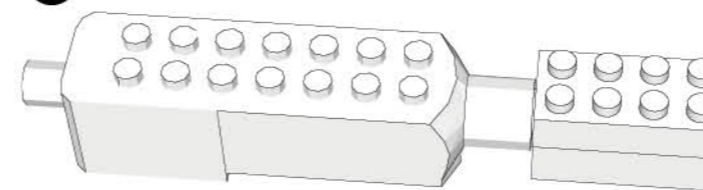
3



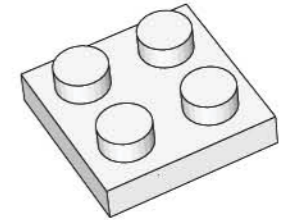
STEP 1



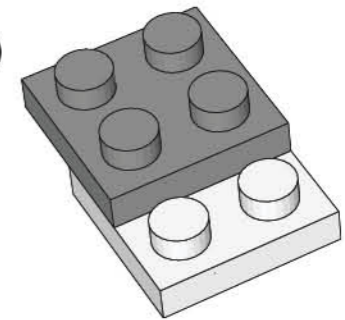
STEP 2



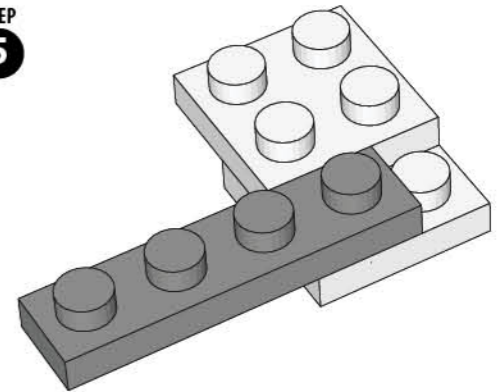
STEP 3



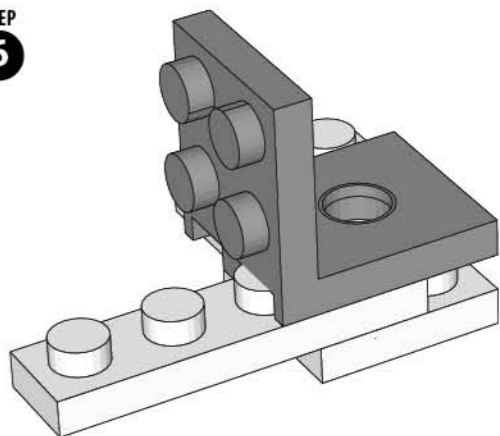
STEP 4



STEP 5



STEP 6



COMBINE PARTS



FLIP MODEL OVER

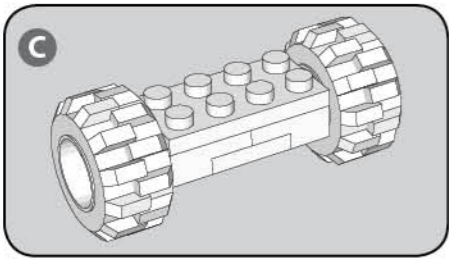


ROTATE MODEL

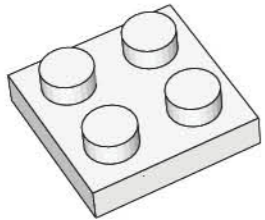
Environmental Phenomena

* The unit may malfunction if subjected to radio-frequency interference. It SHOULD revert to normal operation when the interference stops. If not, it may become necessary to turn the power off and back on, or remove and reinstall the batteries.

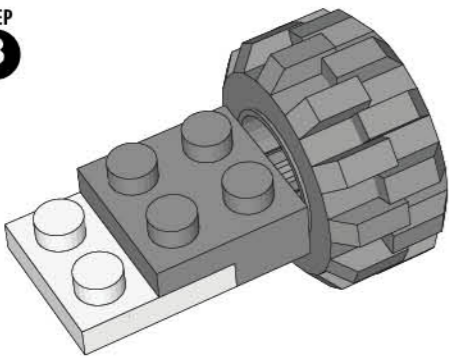
* In the unlikely event of an electrostatic discharge, the unit may malfunction and lose memory, requiring the user to reset the device by removing and reinstalling the batteries.



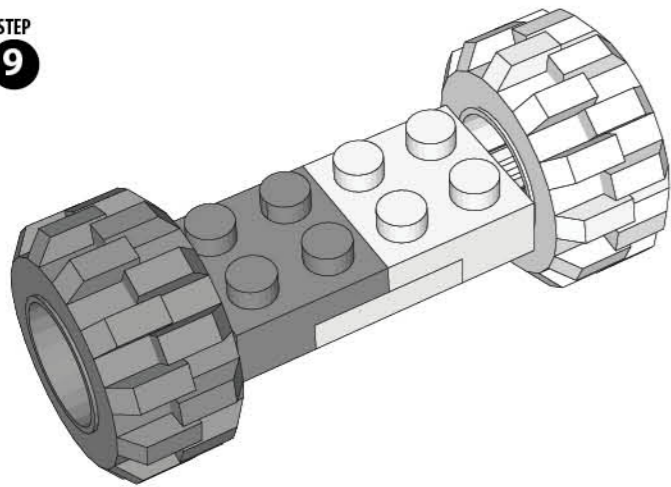
STEP 7



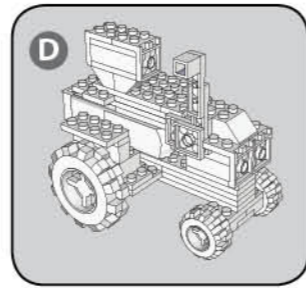
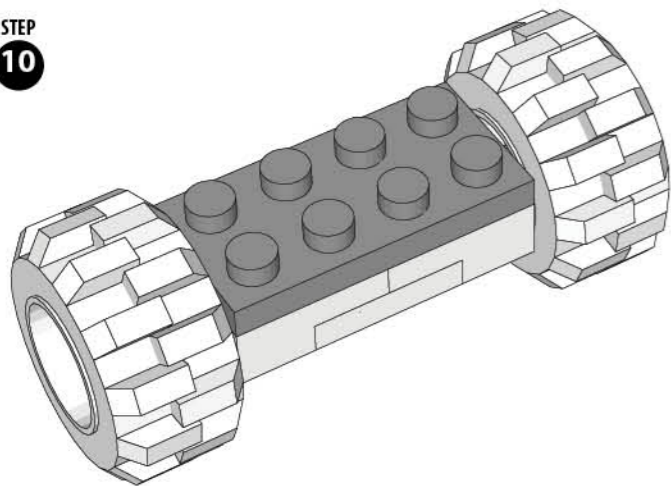
STEP 8



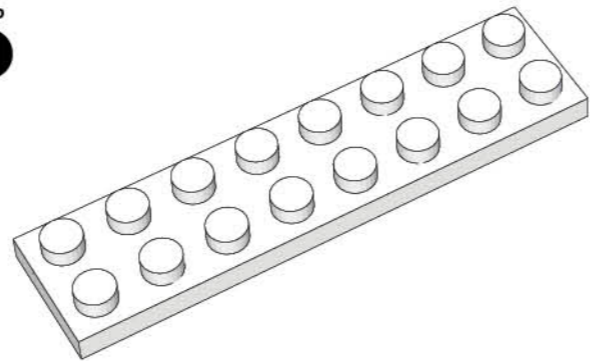
STEP 9



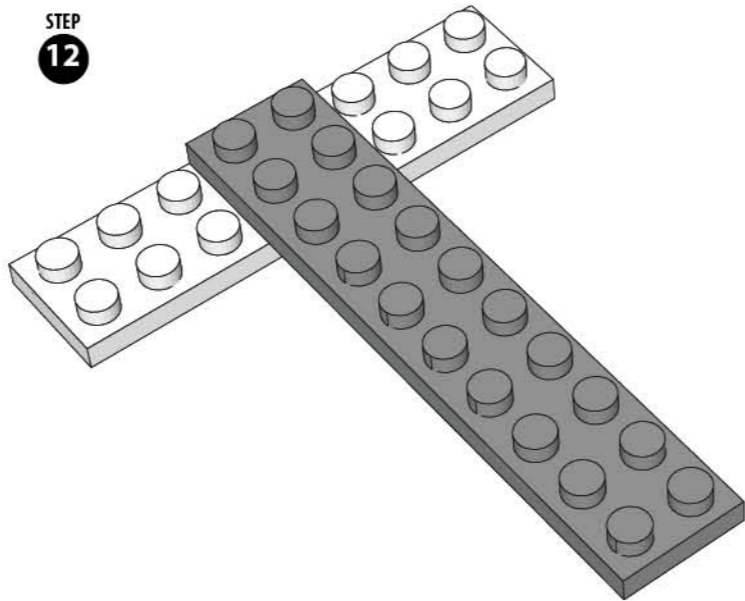
STEP 10



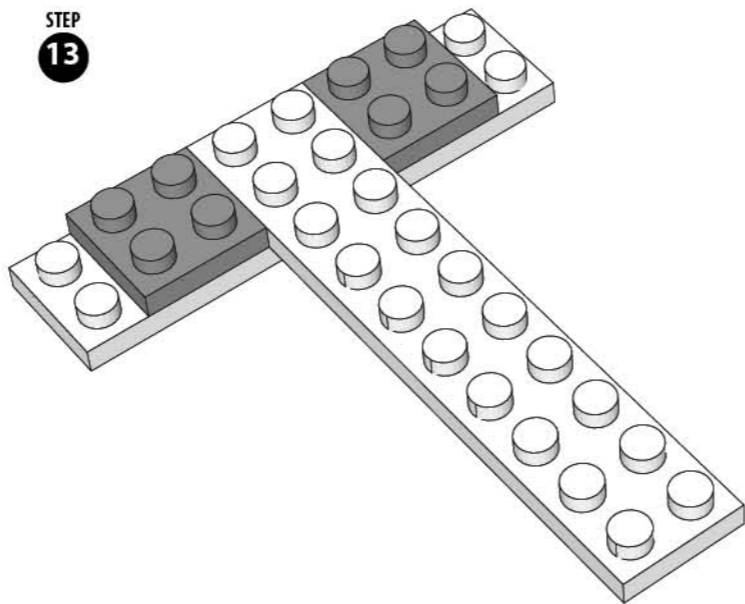
STEP 11



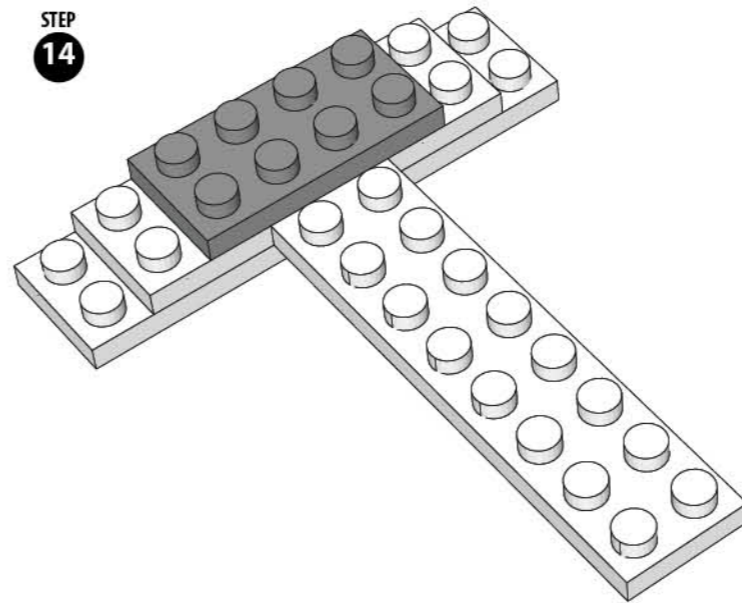
STEP 12



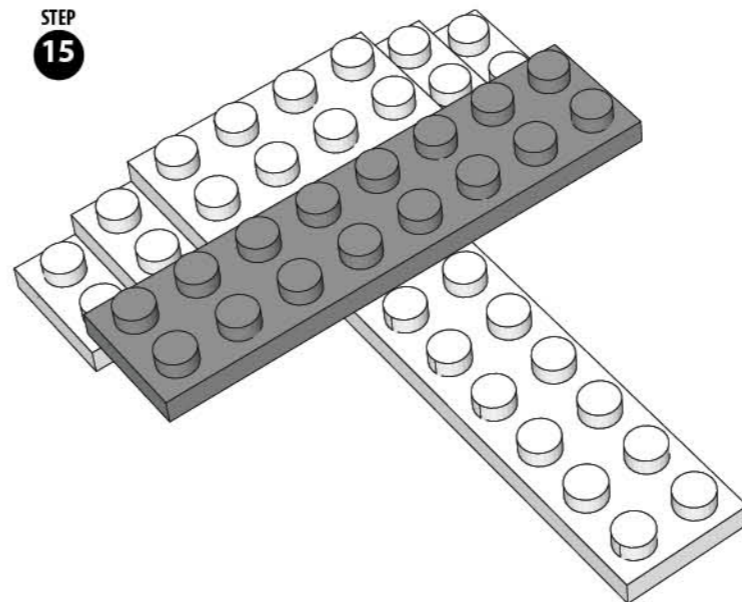
STEP 13



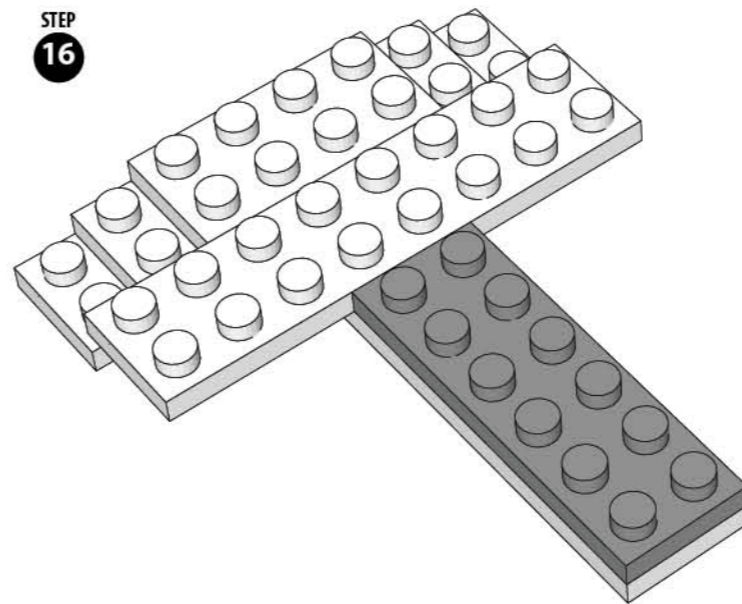
STEP 14



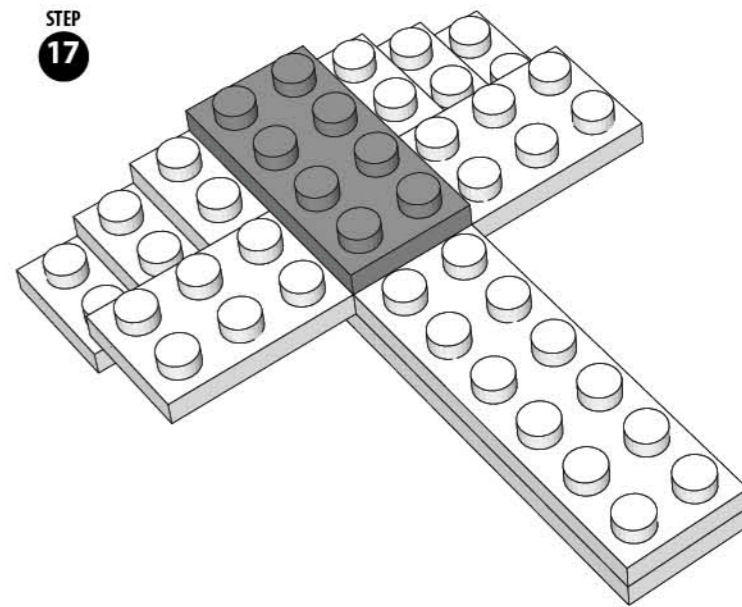
STEP 15



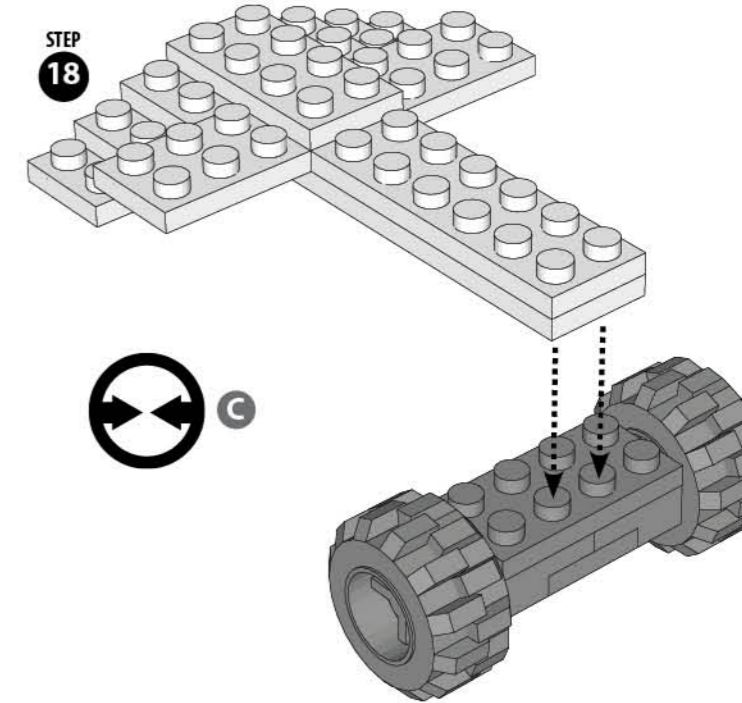
STEP 16



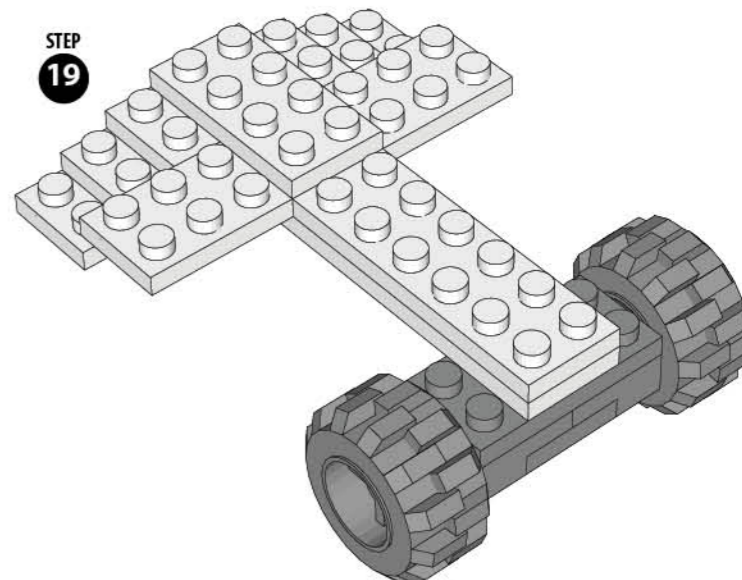
STEP 17



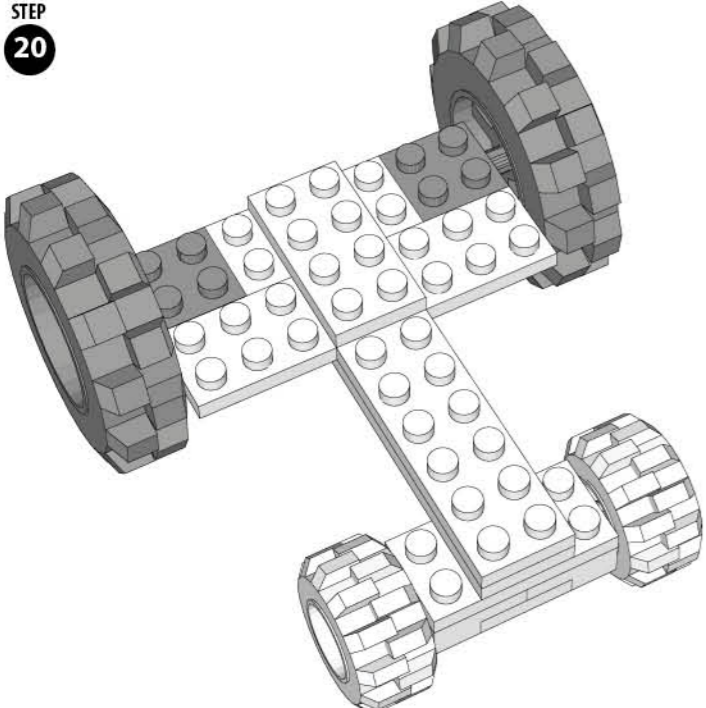
STEP 18



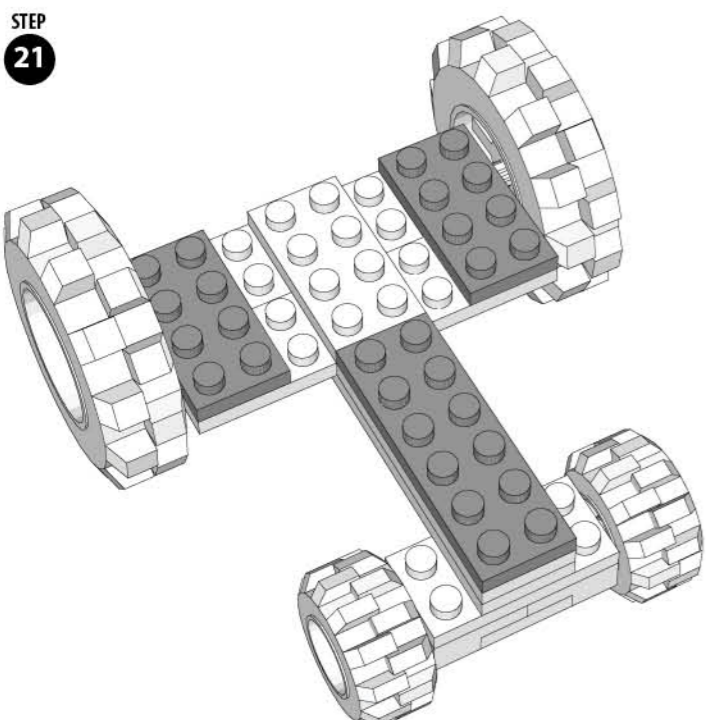
STEP 19



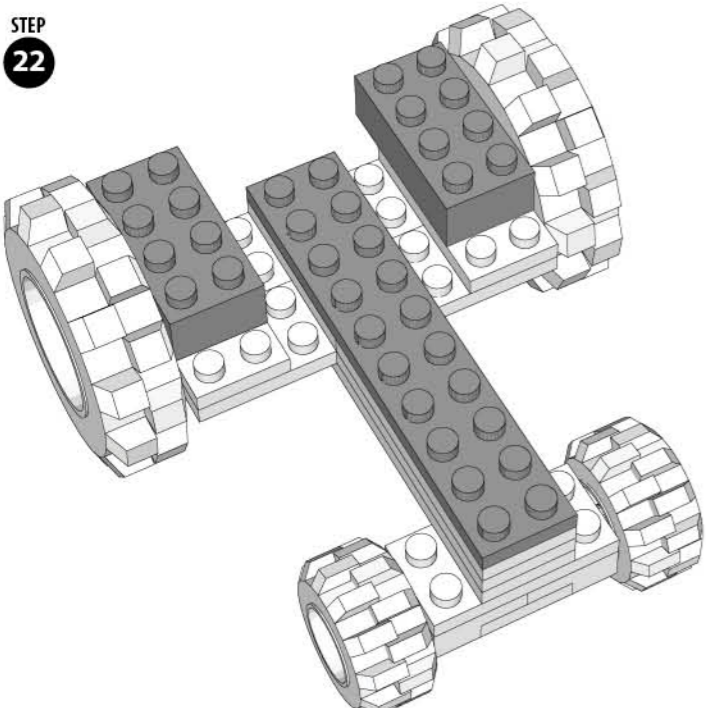
STEP 20



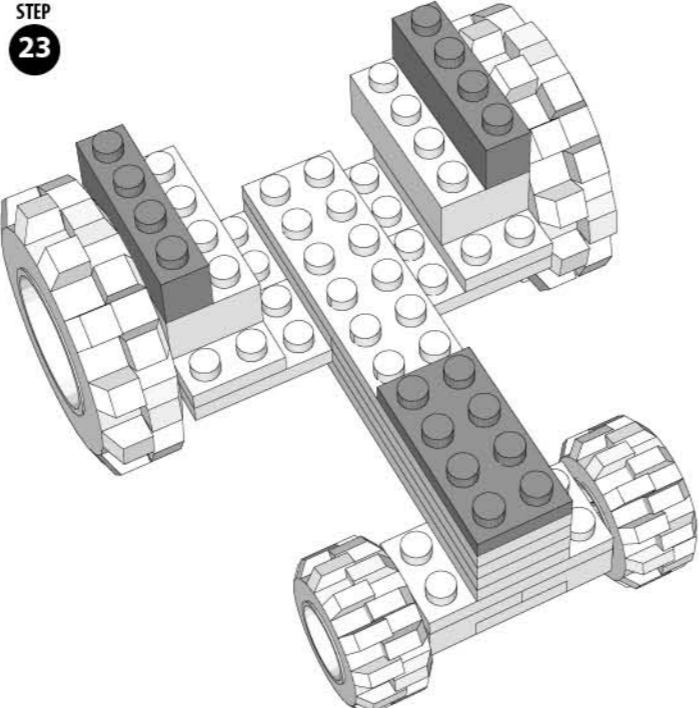
STEP 21



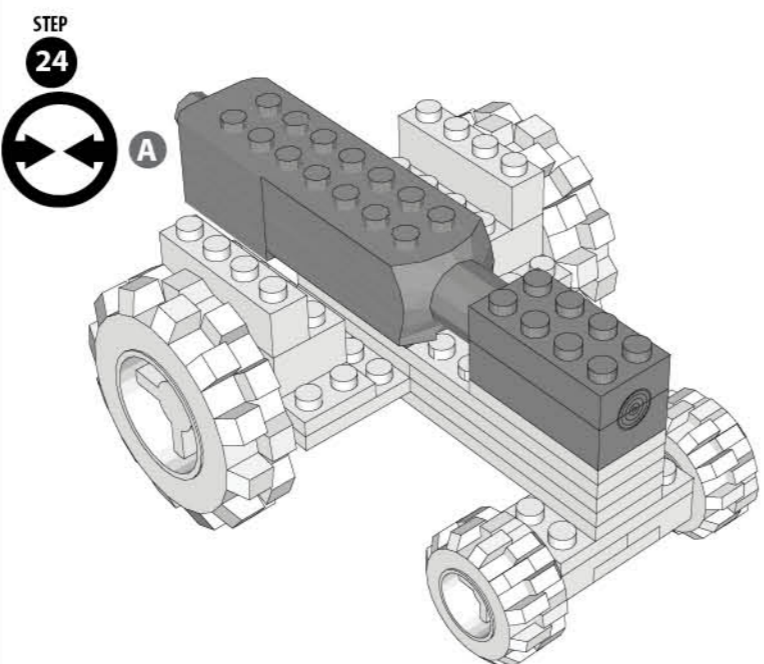
STEP 22



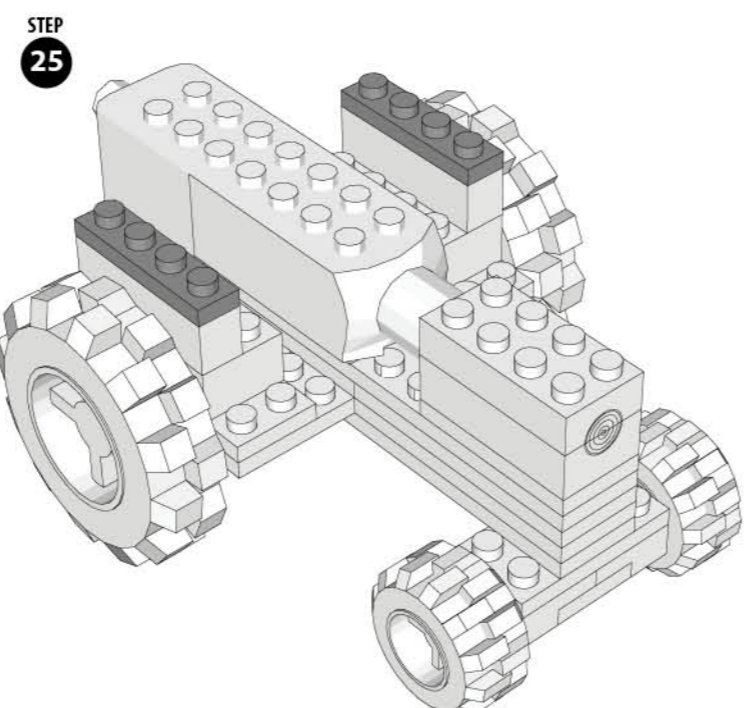
STEP 23



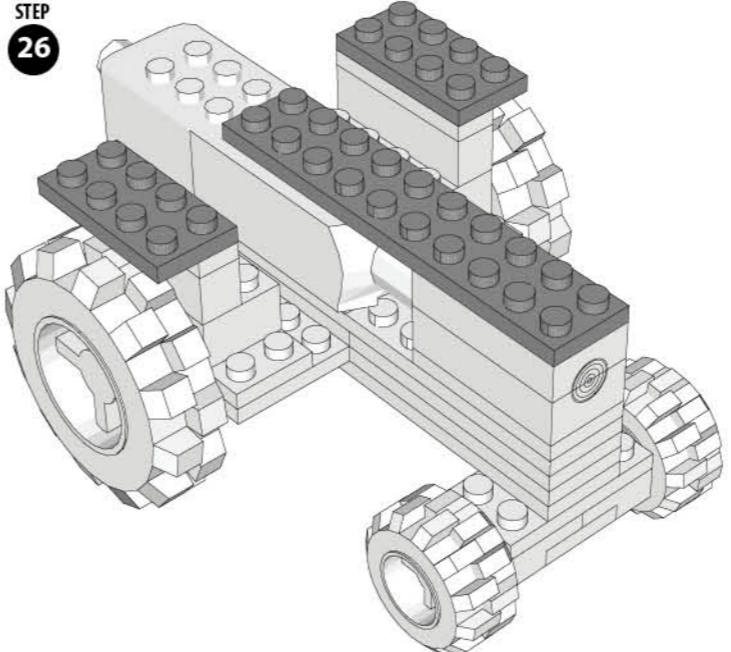
STEP 24



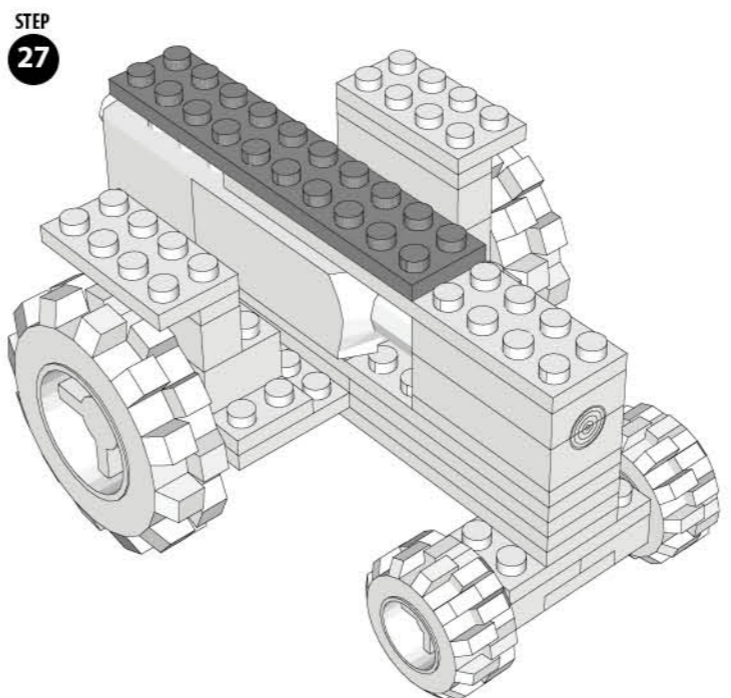
STEP 25



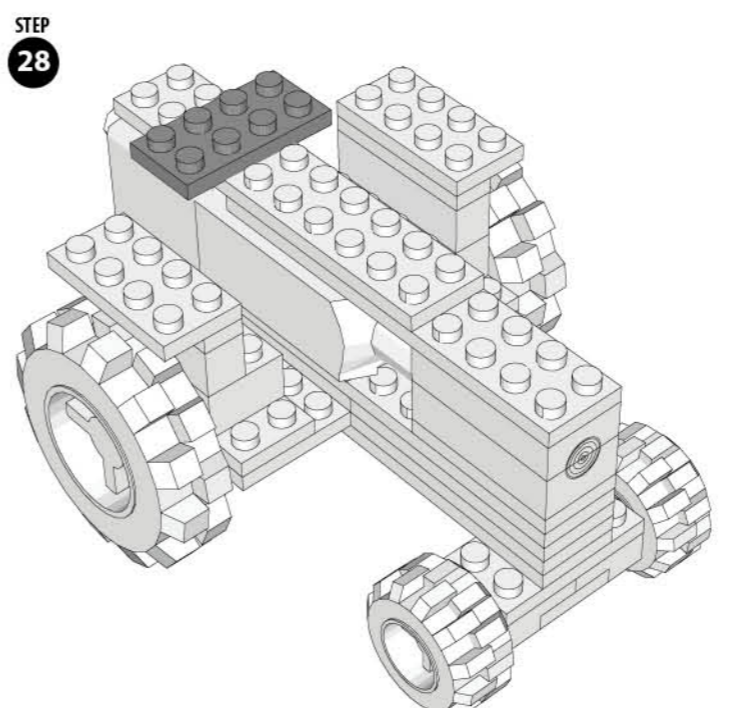
STEP 26



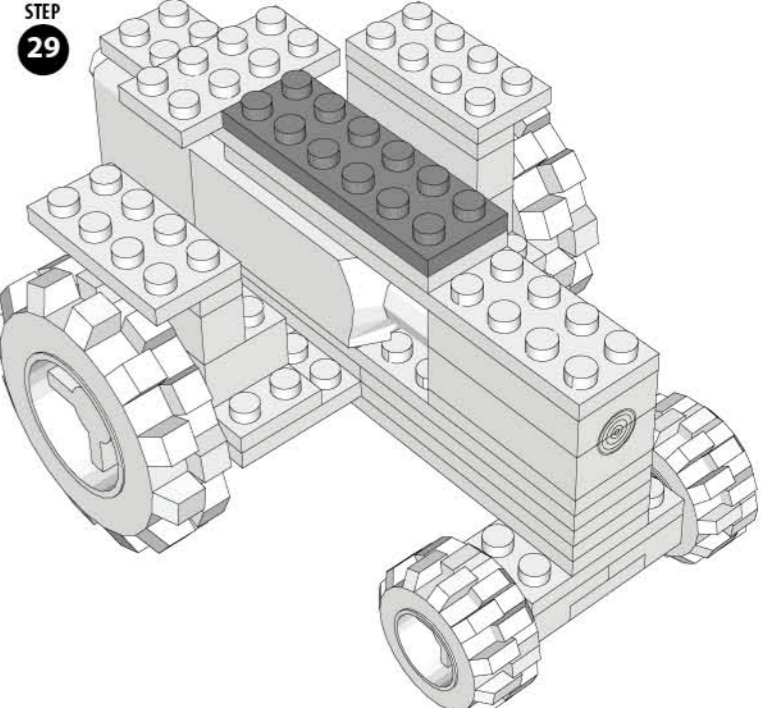
STEP 27



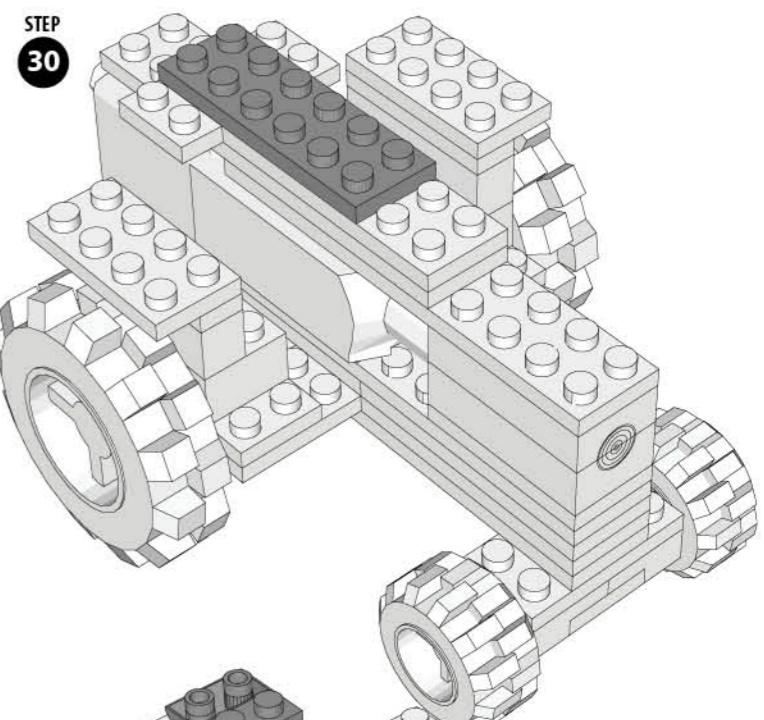
STEP 28



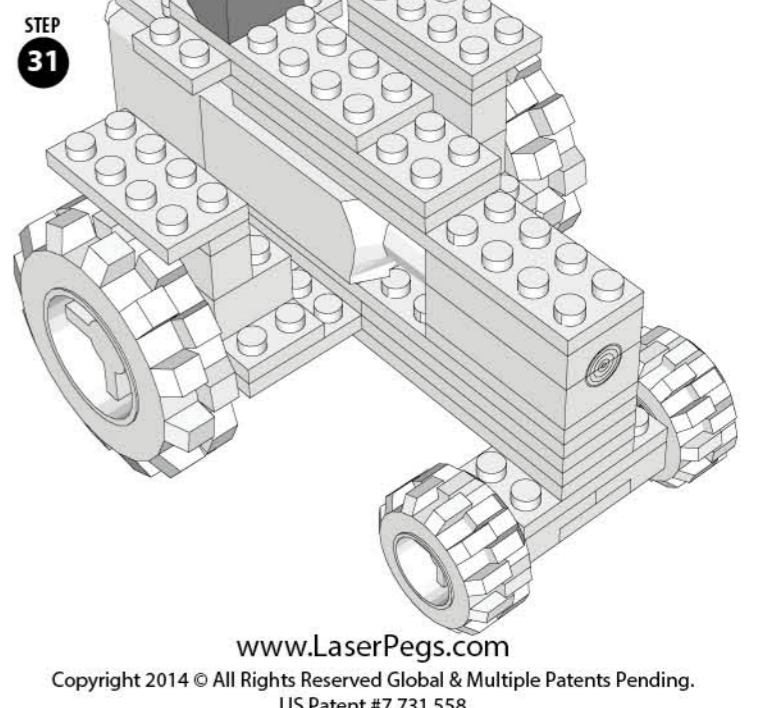
STEP 29



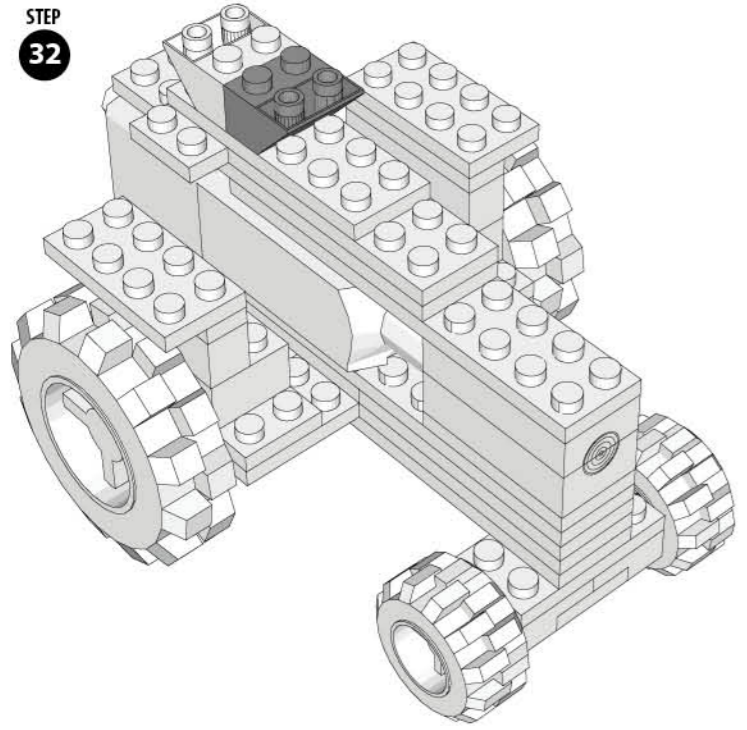
STEP 30



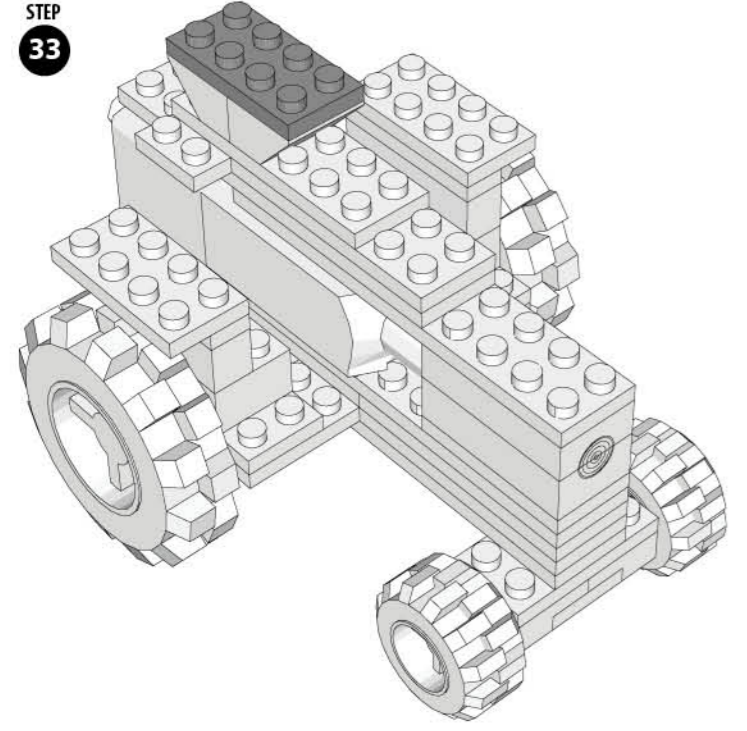
STEP 31



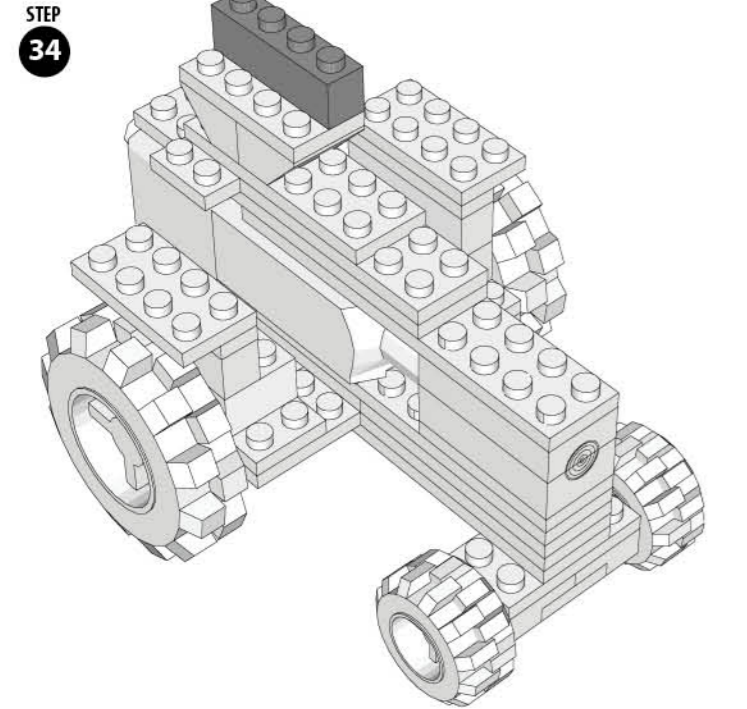
STEP 32



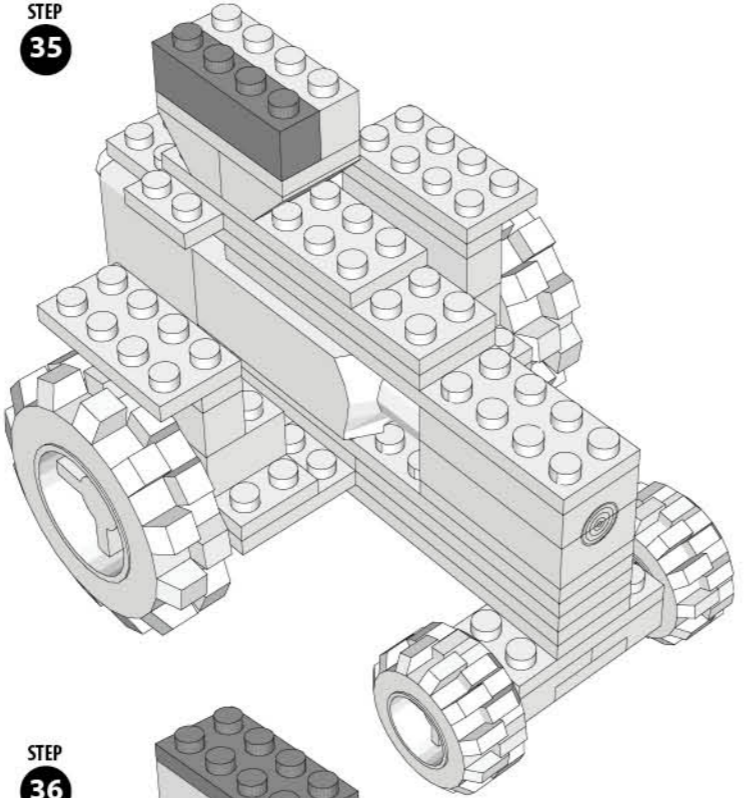
STEP 33



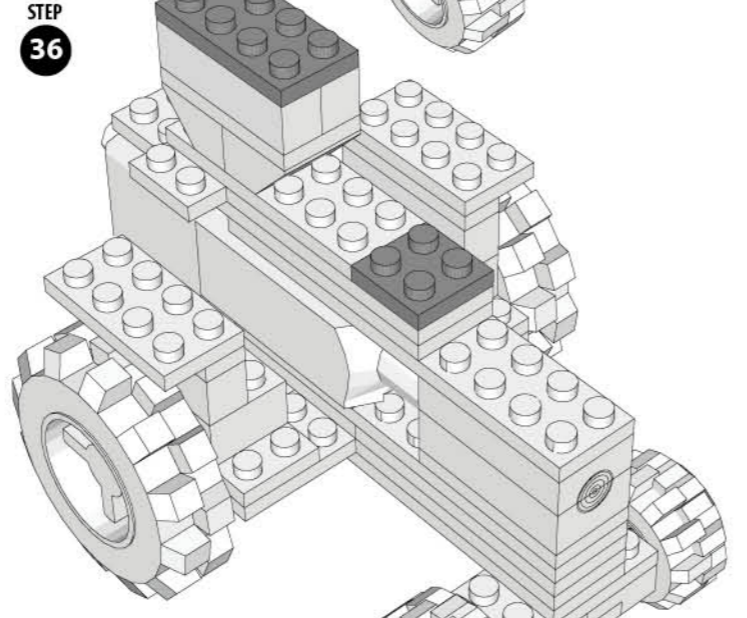
STEP 34



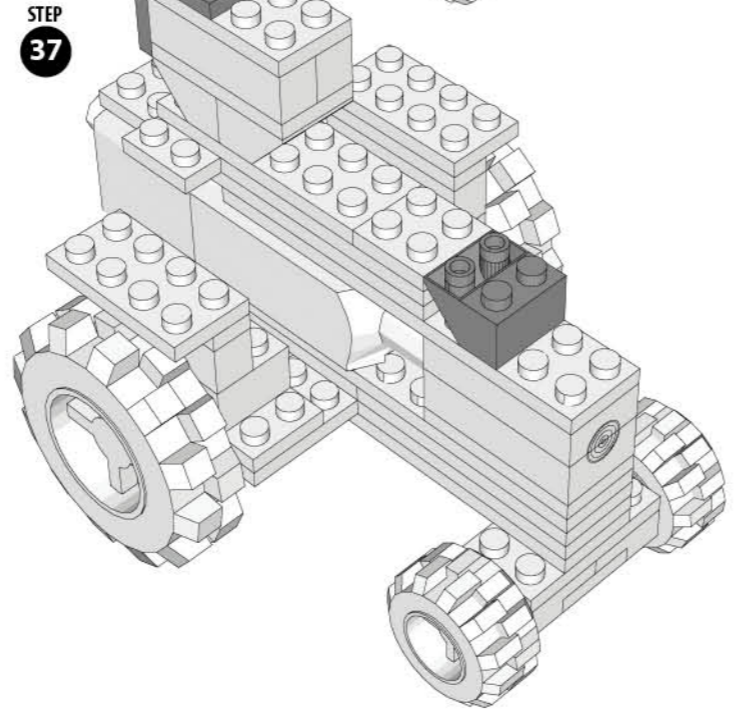
STEP 35



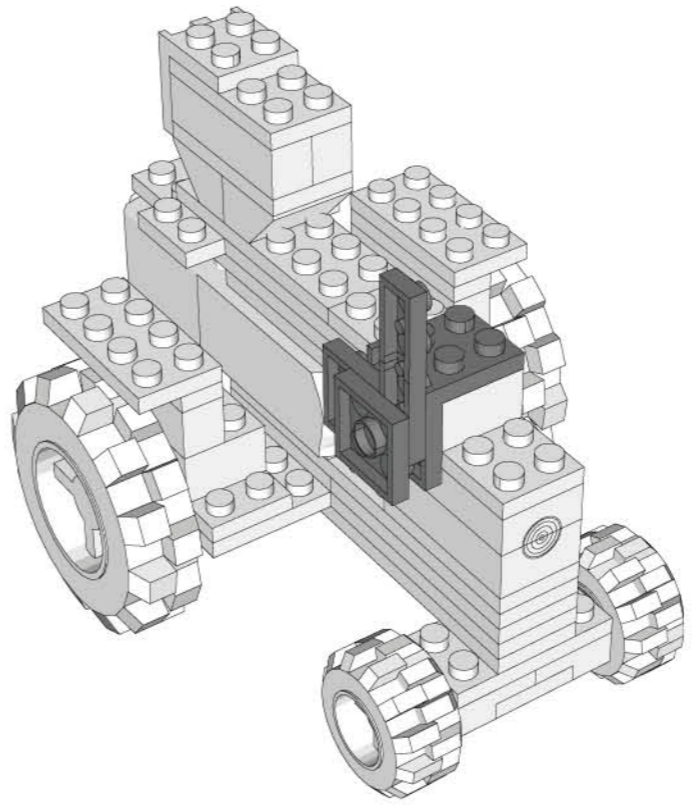
STEP 36



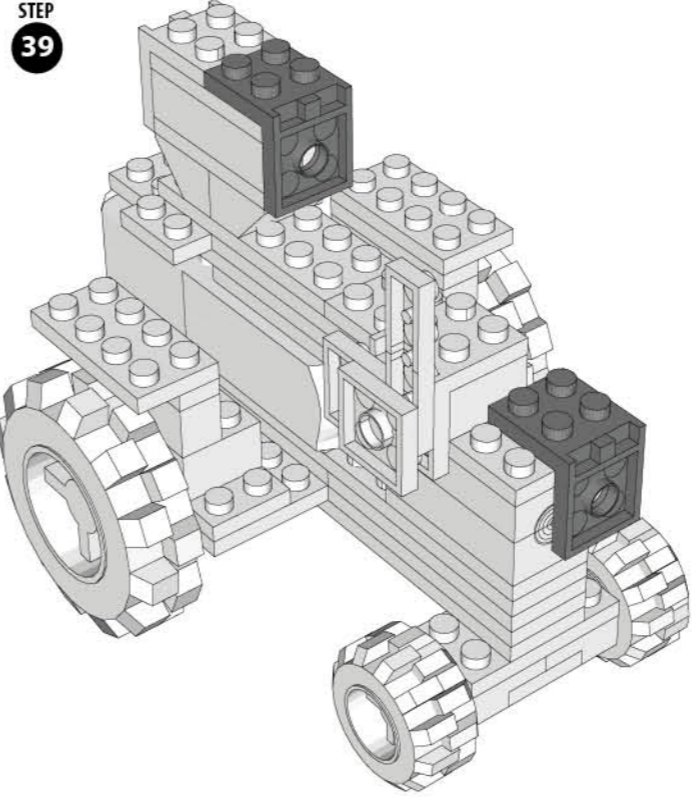
STEP 37



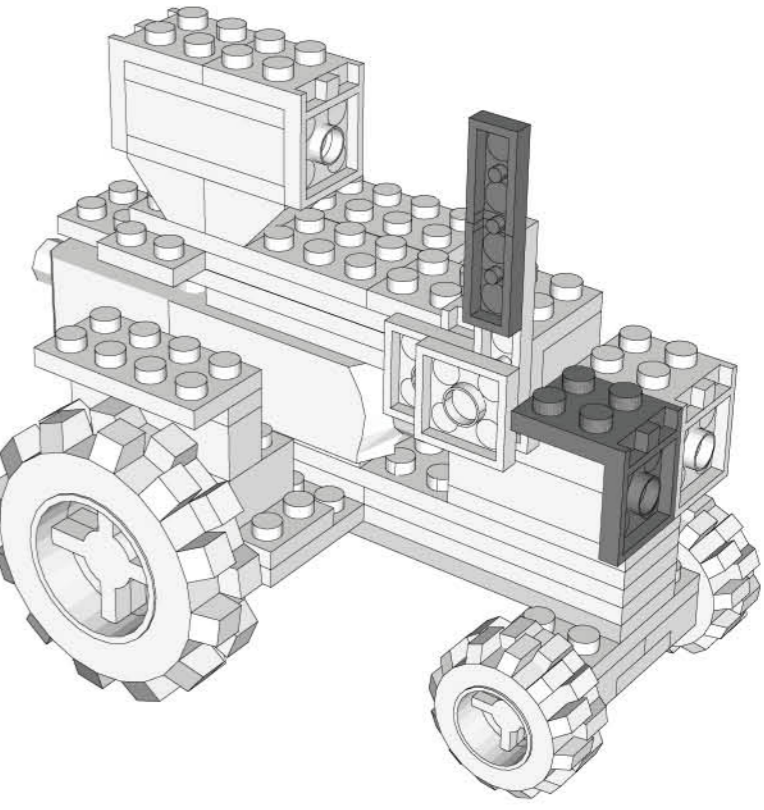
STEP 38



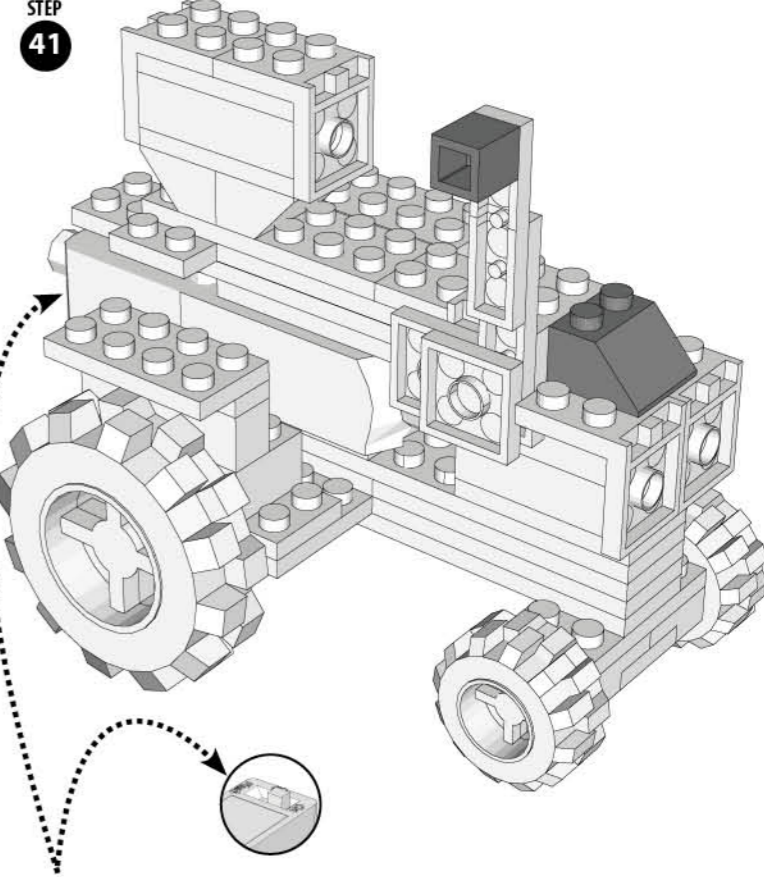
STEP 39



STEP 40



STEP 41



Slide the switch to Light It Up

MADE IN CHINA

Laser Pegs® CARES
Questions? Comments?
For additional compliance info:
1-866-432-3735
Contact: Support@LaserPegs.com

www.LaserPegs.com
Copyright 2014 © All Rights Reserved Global & Multiple Patents Pending.
US Patent #7,731,558

LASER PEGS®

The Ultimate Construction Toy For Kids®

ZD 120B TRACTOR
AGES 5+

6 Models+
Any creation you can build

LIGHTED
CONSTRUCTION SET INCLUDES:

- 1 Laser Pegs®
- 64 Tinted Bricks
- Zippy Do® Power Base
- Instruction Manual

Please read this manual before you begin! Failure to follow this manual's instructions may result in damage to the Zippy Do® Power Base and/or the Zippy Do® pieces. Not adhering to these instructions will void the manufacturer's warranty. The packaging must be kept because it contains important information.

WARNING: CHOKING HAZARD-Small parts. Not for children under 3 yrs. Do not submerge in water.

WARNING: STROBE LIGHTS MAY CAUSE SEIZURES

Requires 3-LR44 Batteries **DO NOT SUBMERGE IN WATER**

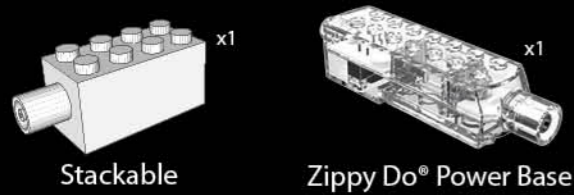


EN71, RoHS COMPLIANT

This product complies to all safety requirements of ASTM F 963

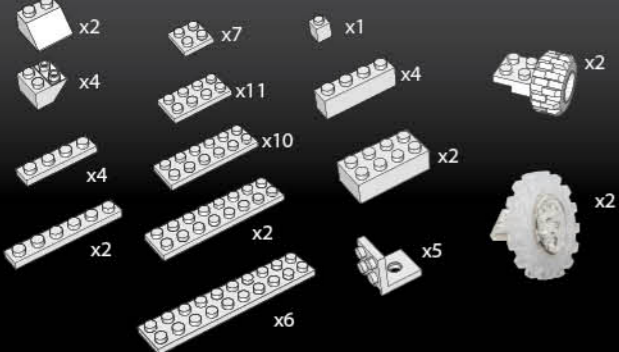


Laser Pegs® Parts List



The toy is not to be connected to more than the recommended number of power supplies

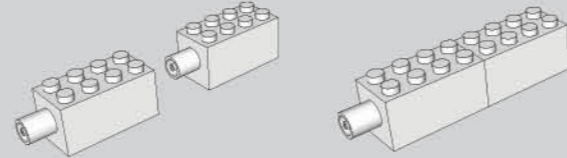
Tinted Bricks List



www.LaserPegs.com

This manual is copyright and cannot be reproduced or used online without Laser Pegs® Ventures LLC permission. Copyright 2014 © All Rights Reserved US Patent #7,731,558 Additional Global & Multiple Patents Pending. Laser Pegs® Ventures LLC. 8304 Consumer Ct Sarasota FL. 34240. Contact: Support@LaserPegs.com

Connecting Pegs

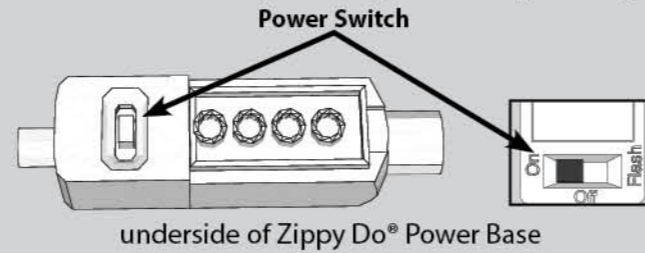


To construct with Laser Pegs®, slide two pieces together to form a connection. Slide each piece on and off smoothly. (Laser Pegs® pieces sold separately).

*To avoid short-circuits, keep metal objects and other unauthorized materials from obstructing the peg holes.

Slide Power Switch to turn on/off/flash

Slide Power Switch to cycle through different light settings.



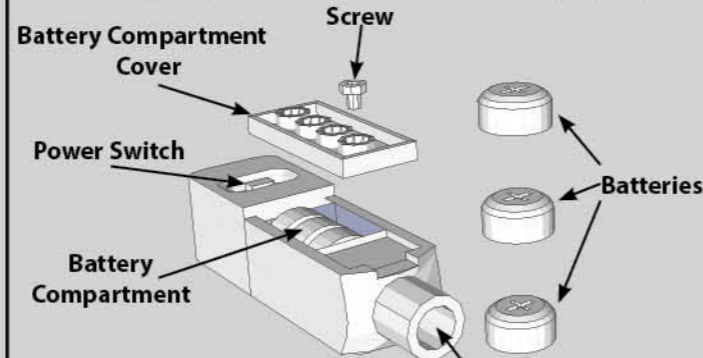
This Product contains a button battery. If swallowed, it could cause severe injury or death in just 2 hours. Seek medical attention immediately.

Replacing Batteries

1. Remove the Phillips head screw.
2. Remove the Battery Compartment Cover.
3. Place three (3) LR44 batteries in the correct position. (Batteries are to be inserted with the correct polarity).
4. Replace the Battery Compartment Cover.
5. Replace the Phillips head screw.
6. Slide Power Switch to turn on!
7. Do not mix old and new batteries.
8. Do not mix alkaline, standard (carbon-zinc), or rechargeable (nickel-cadmium, NiMH) batteries!
9. Exhausted batteries are to be removed from the power base.
10. Batteries should be recycled or disposed of as per state and local guidelines.
11. Non-rechargeable batteries are not to be recharged.
12. Rechargeable batteries are only to be recharged under adult supervision.
13. Rechargeable batteries are to be removed from the toy before being recharged.
14. The supply terminals are not to be short-circuited.
15. Do NOT throw batteries into fire!

Remove the Phillips head screw with a 4mm screw driver.

Requires 3-LR44 Button Cell Batteries



BATTERIES ARE TO BE INSERTED INTO THE TOY BY AN ADULT ONLY!

Connects to other Laser Pegs® pieces

ONLY ADULTS SHOULD INSTALL THE BATTERIES

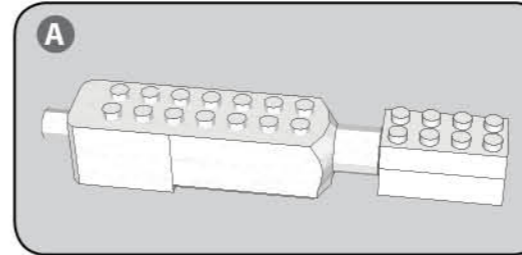
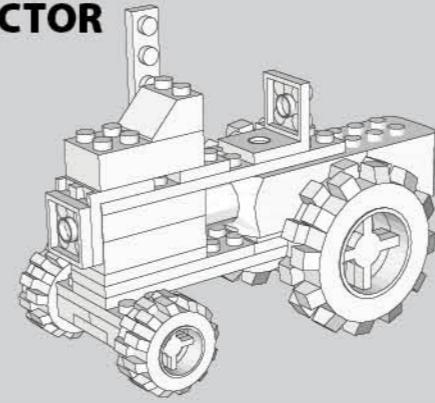
LAWN TRACTOR: A common small vehicle ideal for lawn and garden maintenance.



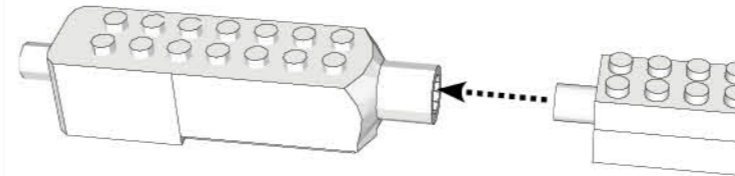
LAWN TRACTOR

Model Difficulty Level

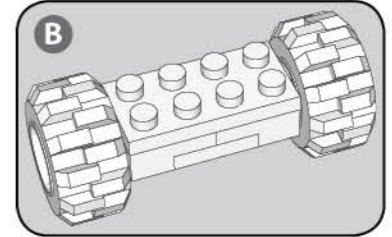
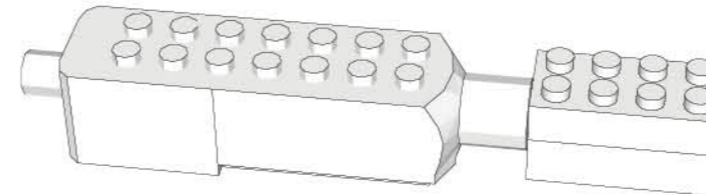
3



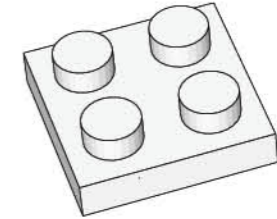
STEP 1



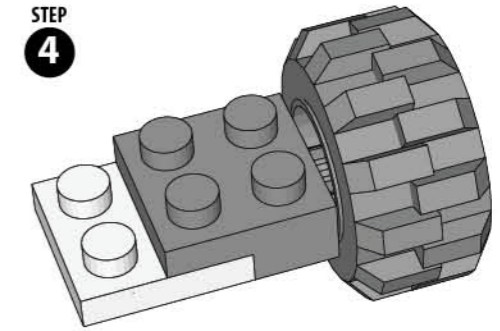
STEP 2



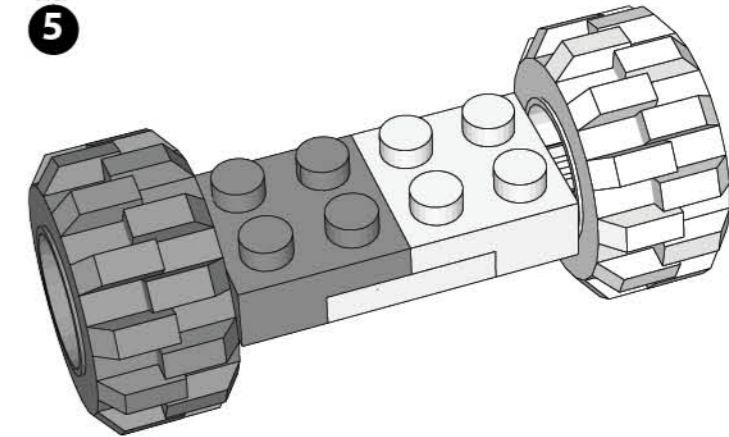
STEP 3



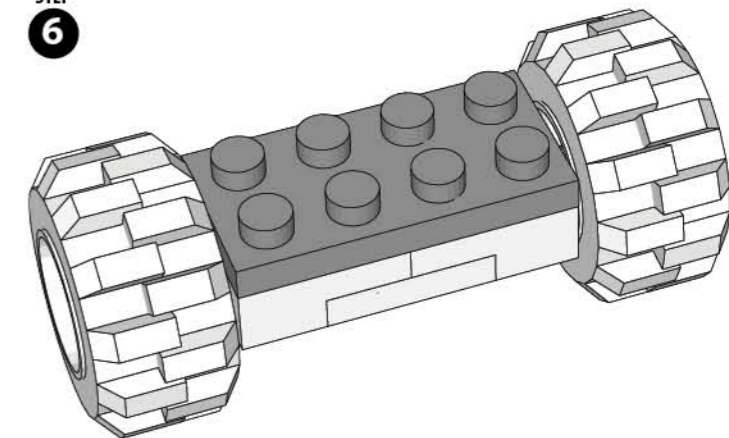
STEP 4



STEP 5



STEP 6



Laser Pegs® CARES
Questions? Comments?
For additional compliance info:
1-866-432-3735
Contact: Support@LaserPegs.com



COMBINE PARTS



FLIP MODEL OVER

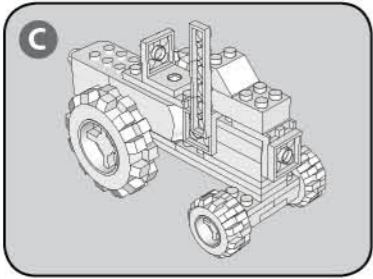


ROTATE MODEL

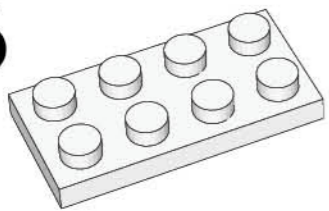
Environmental Phenomena

*The unit may malfunction if subjected to radio-frequency interference. It SHOULD revert to normal operation when the interference stops. If not, it may become necessary to turn the power off and back on, or remove and reinstall the batteries.

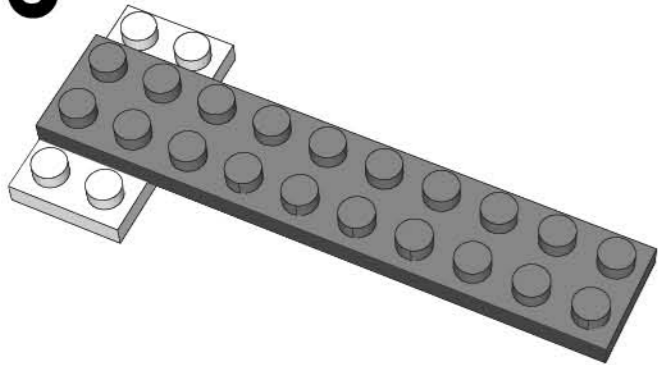
*In the unlikely event of an electrostatic discharge, the unit may malfunction and lose memory, requiring the user to reset the device by removing and reinstalling the batteries.



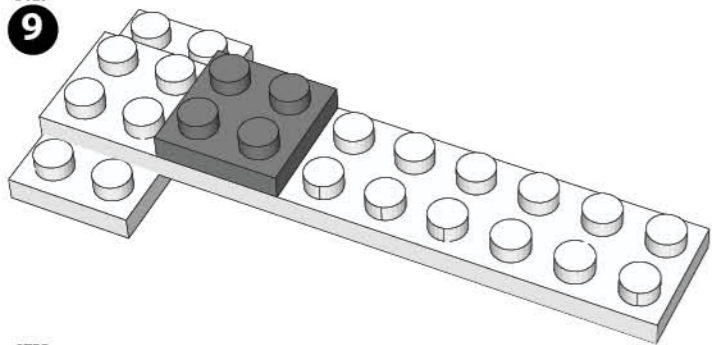
STEP 7



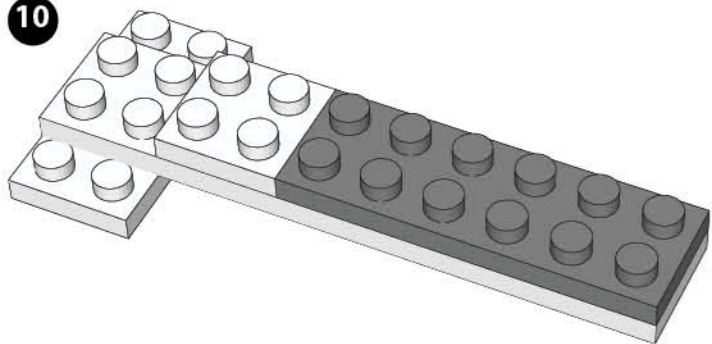
STEP 8



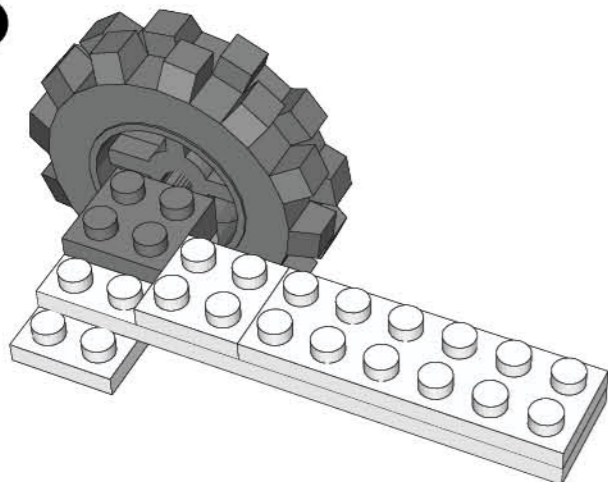
STEP 9



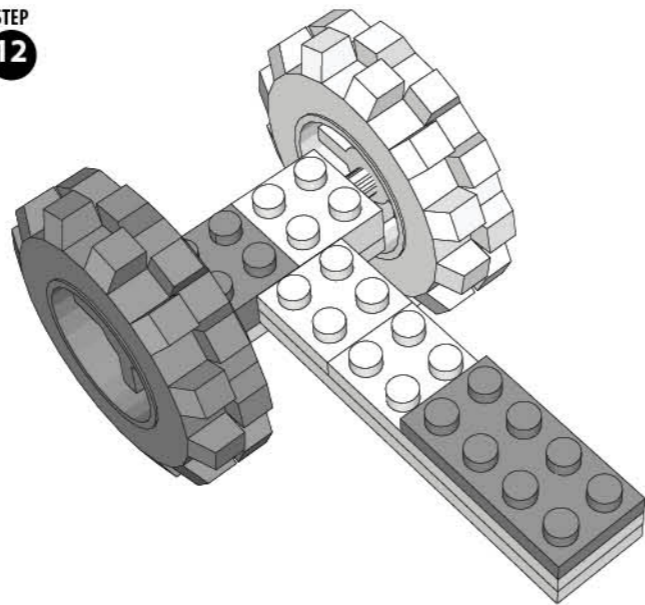
STEP 10



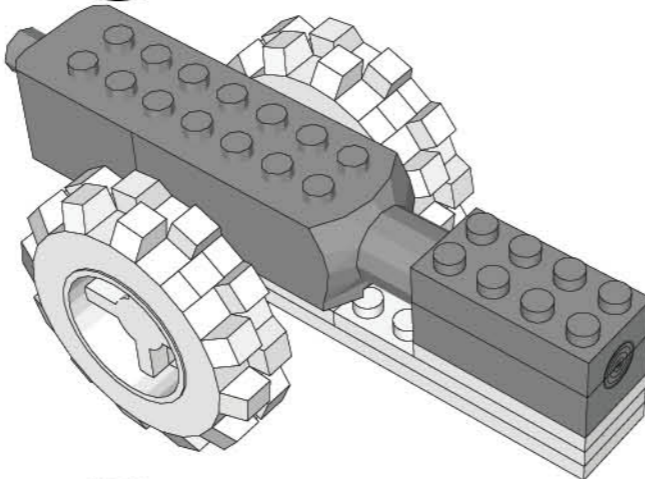
STEP 11



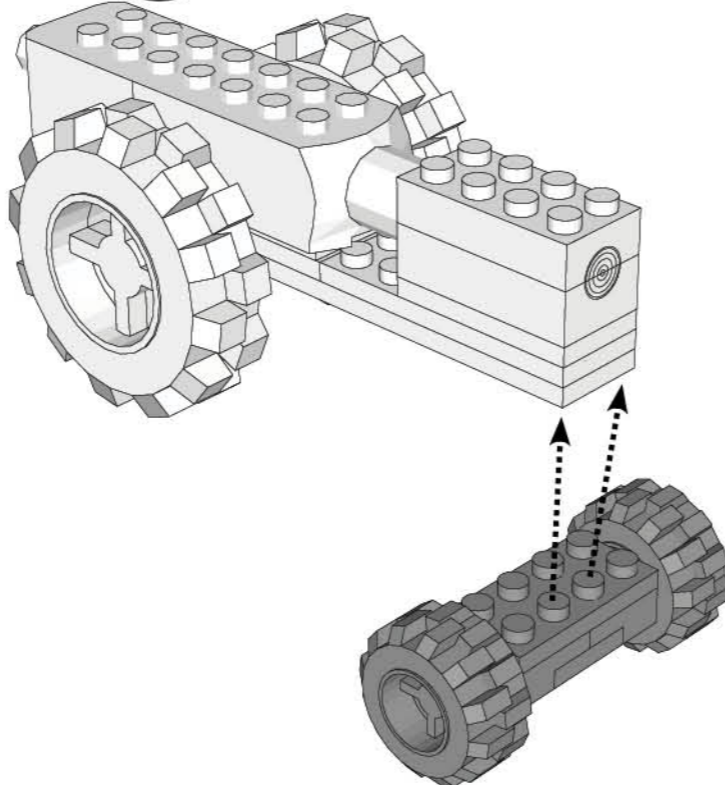
STEP 12



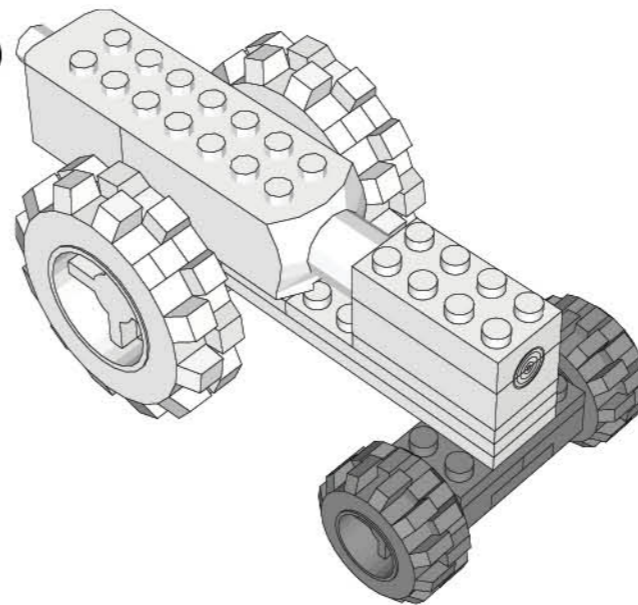
STEP 13



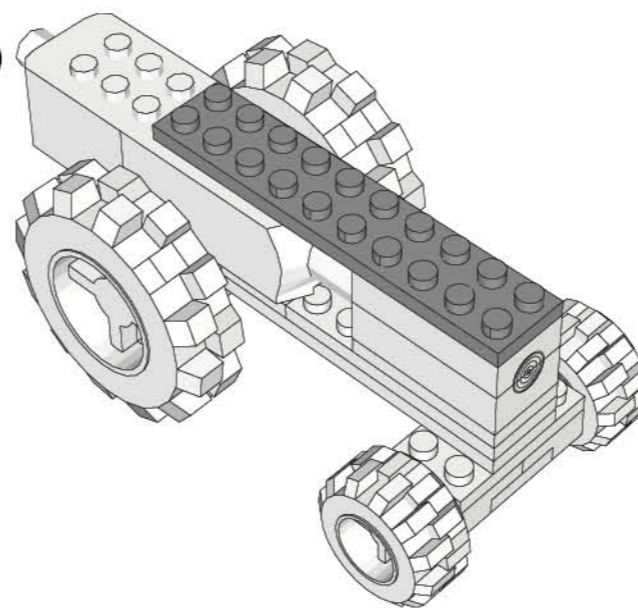
STEP 14



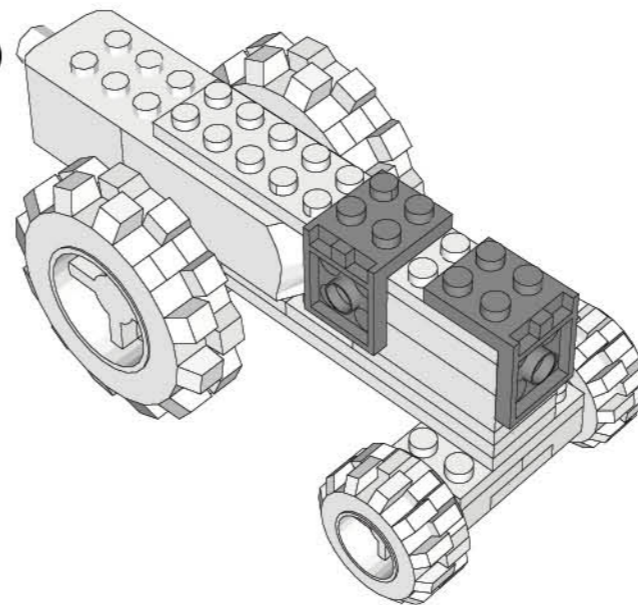
STEP 15



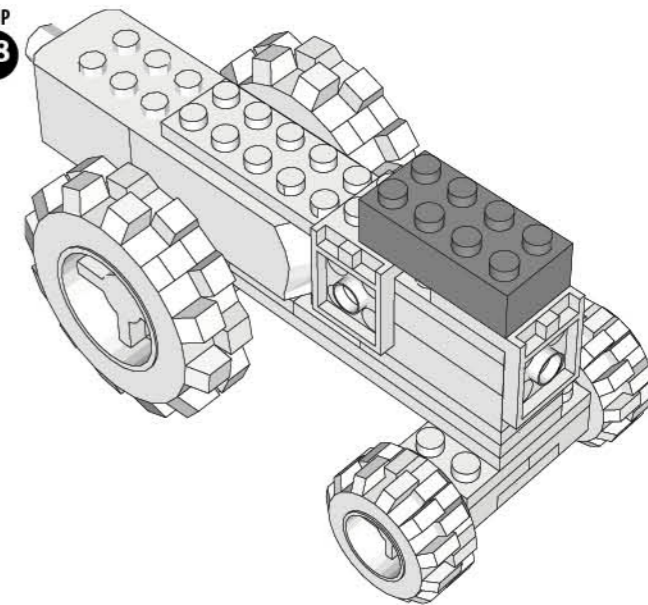
STEP 16



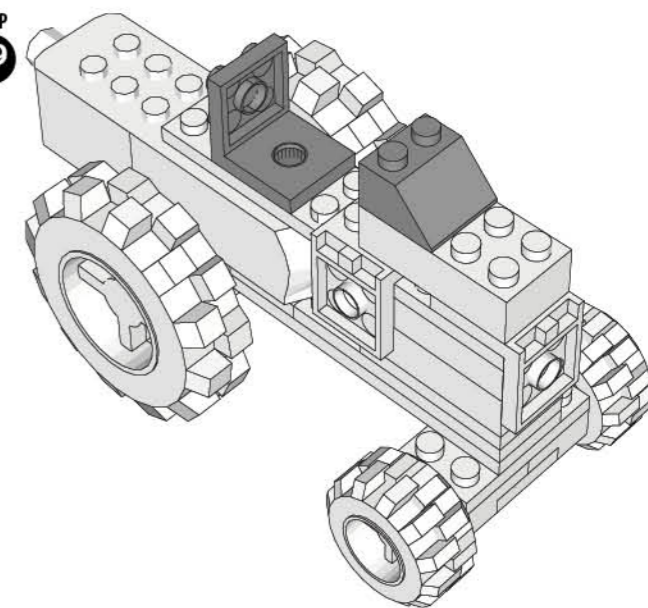
STEP 17



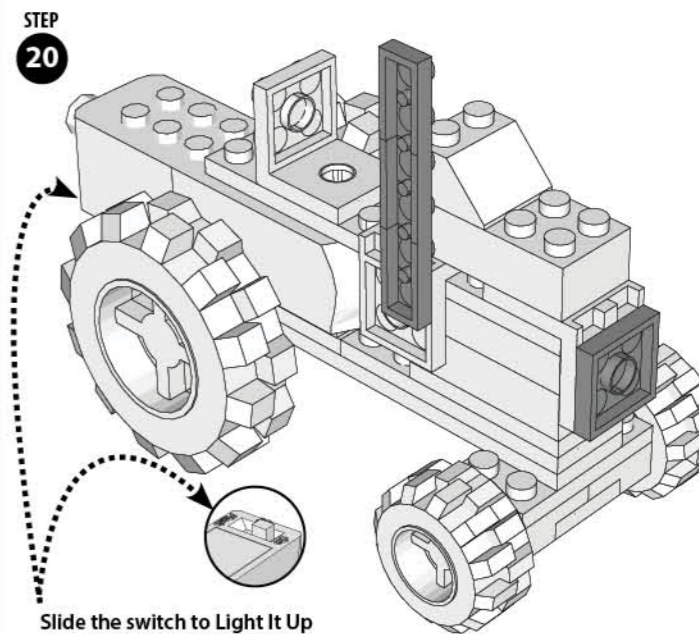
STEP 18



STEP 19



STEP 20



Slide the switch to Light It Up

MADE IN CHINA

LASER PEGS®

The Ultimate Construction Toy For Kids®

ZD 120B TRACTOR
AGES 5+

6 Models+
Any creation you can build

LIGHTED
CONSTRUCTION SET INCLUDES:

- 1 Laser Pegs®
- 64 Tinted Bricks
- Zippy Do® Power Base
- Instruction Manual

Please read this manual before you begin! Failure to follow this manual's instructions may result in damage to the Zippy Do® Power Base and/or the Zippy Do® pieces. Not adhering to these instructions will void the manufacturer's warranty. The packaging must be kept because it contains important information.

WARNING: CHOKING HAZARD-Small parts. Not for children under 3 yrs. Do not submerge in water.

WARNING: STROBE LIGHTS MAY CAUSE SEIZURES

Requires 3-LR44 Batteries **DO NOT SUBMERGE IN WATER**

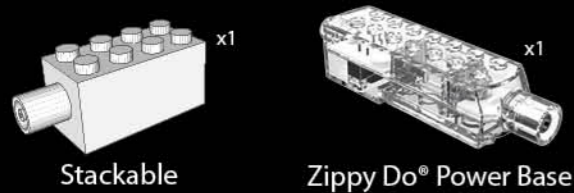
Batteries Included

EN71, RoHS COMPLIANT

This product complies to all safety requirements of ASTM F 963

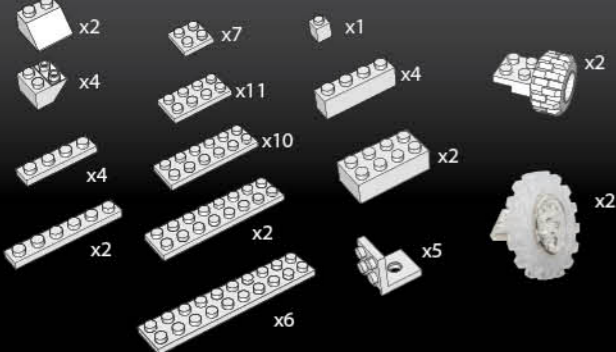


Laser Pegs® Parts List



The toy is not to be connected to more than the recommended number of power supplies

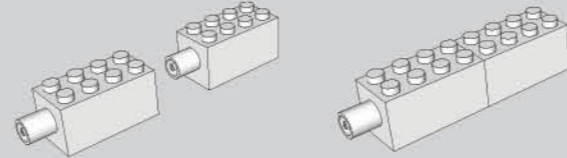
Tinted Bricks List



www.LaserPegs.com

This manual is copyright and cannot be reproduced or used online without Laser Pegs® Ventures LLC permission. Copyright 2014 © All Rights Reserved US Patent #7,731,558 Additional Global & Multiple Patents Pending. Laser Pegs® Ventures LLC. 8304 Consumer Ct Sarasota FL. 34240. Contact: Support@LaserPegs.com

Connecting Pegs

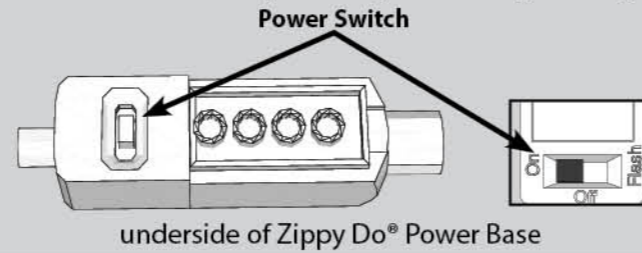


To construct with Laser Pegs®, slide two pieces together to form a connection. Slide each piece on and off smoothly. (Laser Pegs® pieces sold separately).

*To avoid short-circuits, keep metal objects and other unauthorized materials from obstructing the peg holes.

Slide Power Switch to turn on/off/flash

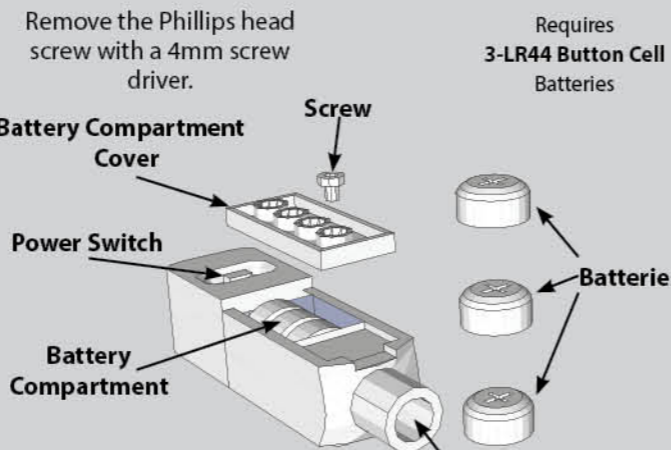
Slide Power Switch to cycle through different light settings.



This Product contains a button battery. If swallowed, it could cause severe injury or death in just 2 hours. Seek medical attention immediately.

Replacing Batteries

1. Remove the Phillips head screw.
2. Remove the Battery Compartment Cover.
3. Place three (3) LR44 batteries in the correct position. (Batteries are to be inserted with the correct polarity).
4. Replace the Battery Compartment Cover.
5. Replace the Phillips head screw.
6. Slide Power Switch to turn on!
7. Do not mix old and new batteries.
8. Do not mix alkaline, standard (carbon-zinc), or rechargeable (nickel-cadmium, NiMH) batteries!
9. Exhausted batteries are to be removed from the power base.
10. Batteries should be recycled or disposed of as per state and local guidelines.
11. Non-rechargeable batteries are not to be recharged.
12. Rechargeable batteries are only to be recharged under adult supervision.
13. Rechargeable batteries are to be removed from the toy before being recharged.
14. The supply terminals are not to be short-circuited.
15. Do NOT throw batteries into fire!



BATTERIES ARE TO BE INSERTED INTO THE TOY BY AN ADULT ONLY!

Connects to other Laser Pegs® pieces

ONLY ADULTS SHOULD INSTALL THE BATTERIES

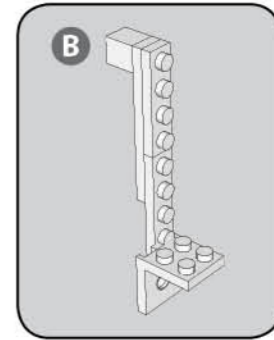
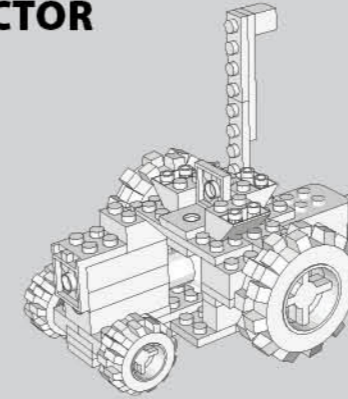
UTILITY TRACTOR: A super-strong, heavy-duty tractor built to lift and move hefty loads.



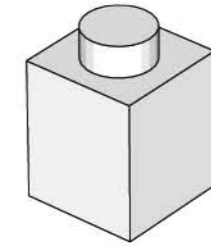
UTILITY TRACTOR

Model Difficulty Level

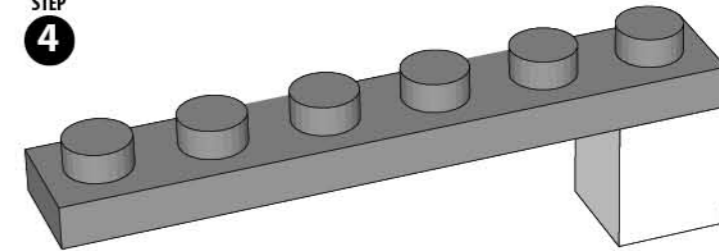
3



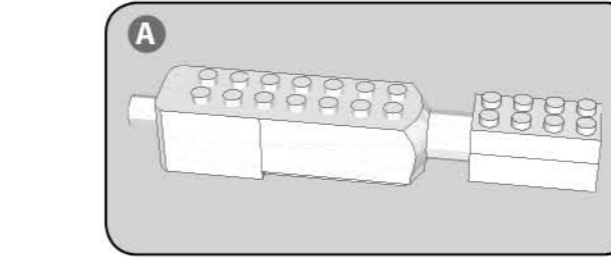
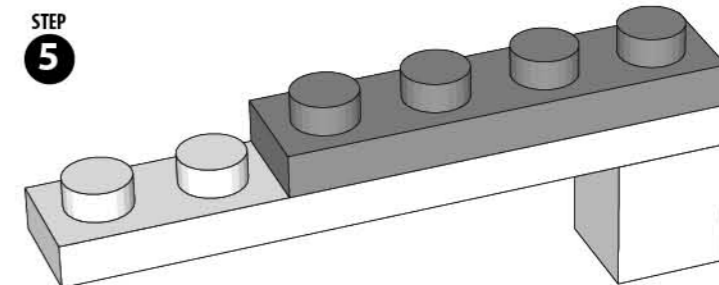
STEP 3



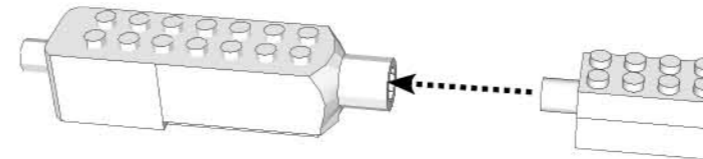
STEP 4



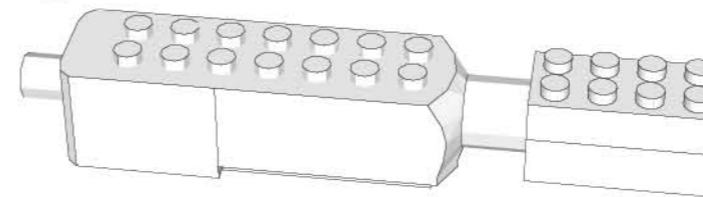
STEP 5



STEP 1



STEP 2



Laser Pegs® CARES
Questions? Comments?
For additional compliance info:
1-866-432-3735
Contact: Support@LaserPegs.com



COMBINE PARTS



FLIP MODEL OVER



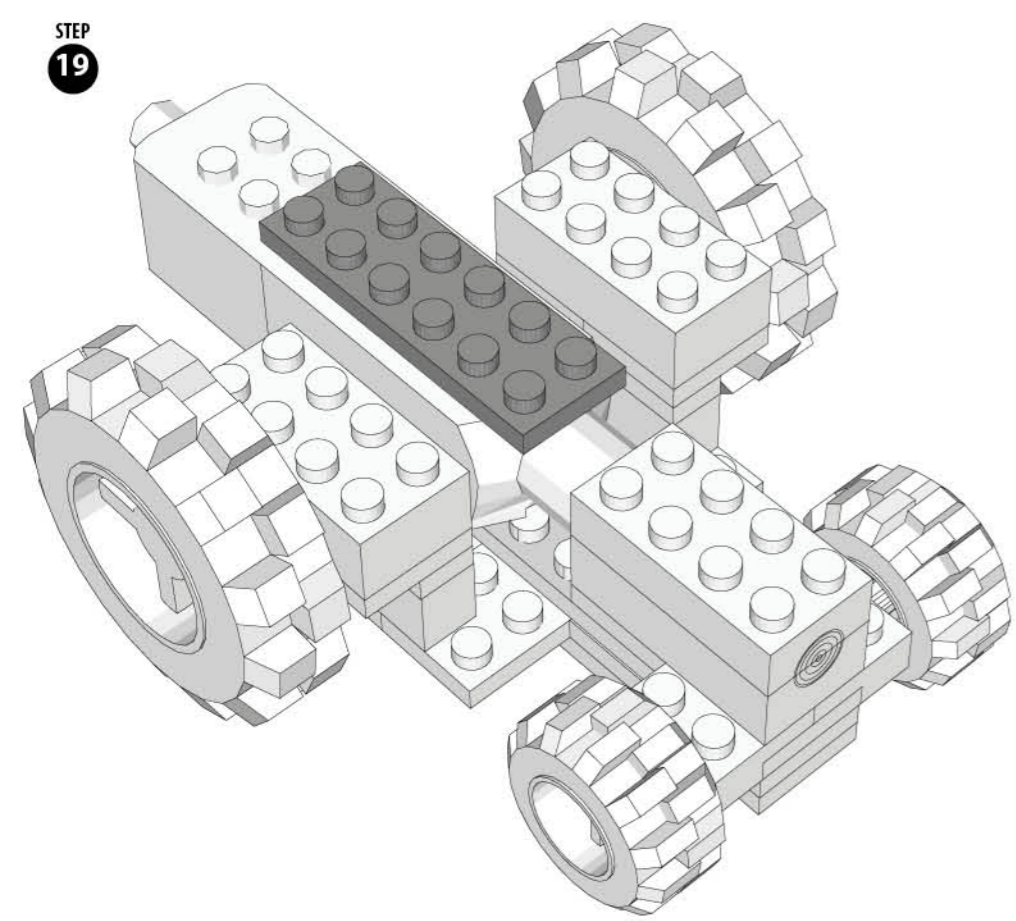
ROTATE MODEL

Environmental Phenomena

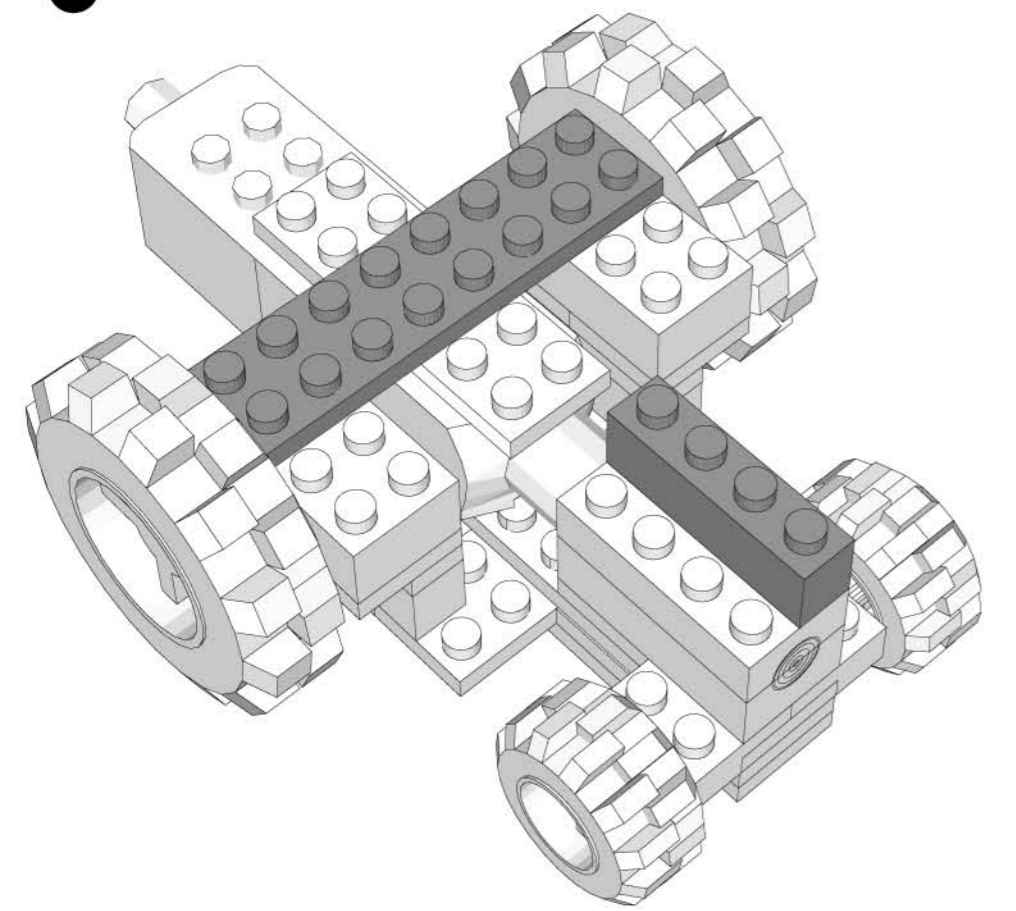
* The unit may malfunction if subjected to radio-frequency interference. It SHOULD revert to normal operation when the interference stops. If not, it may become necessary to turn the power off and back on, or remove and reinstall the batteries.

* In the unlikely event of an electrostatic discharge, the unit may malfunction and lose memory, requiring the user to reset the device by removing and reinstalling the batteries.

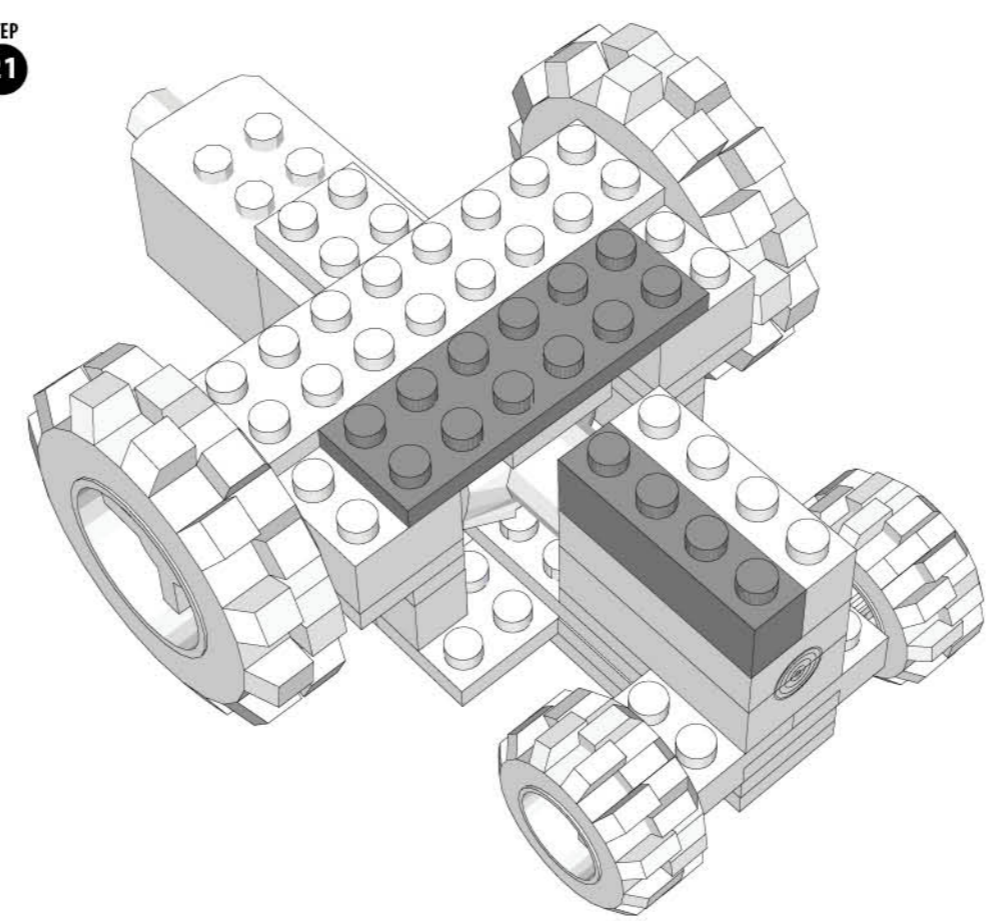
STEP 19



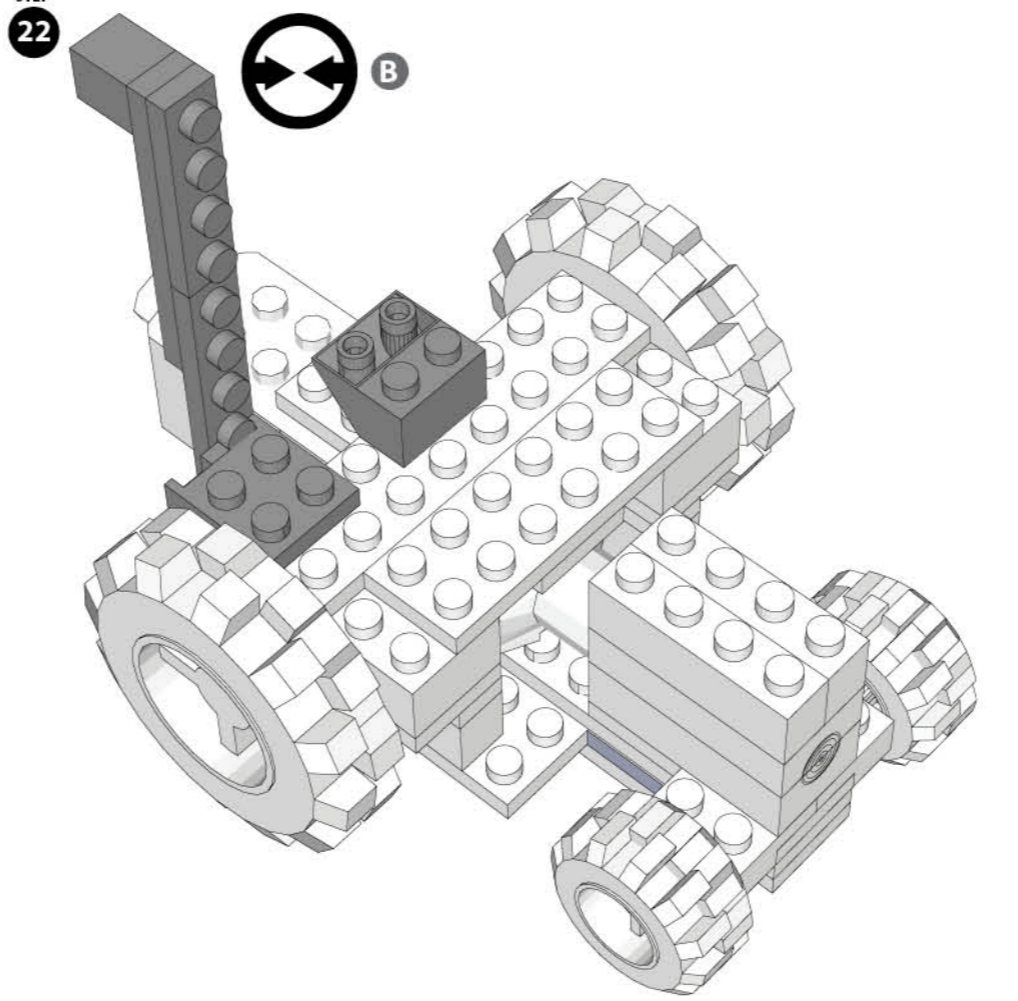
STEP 20



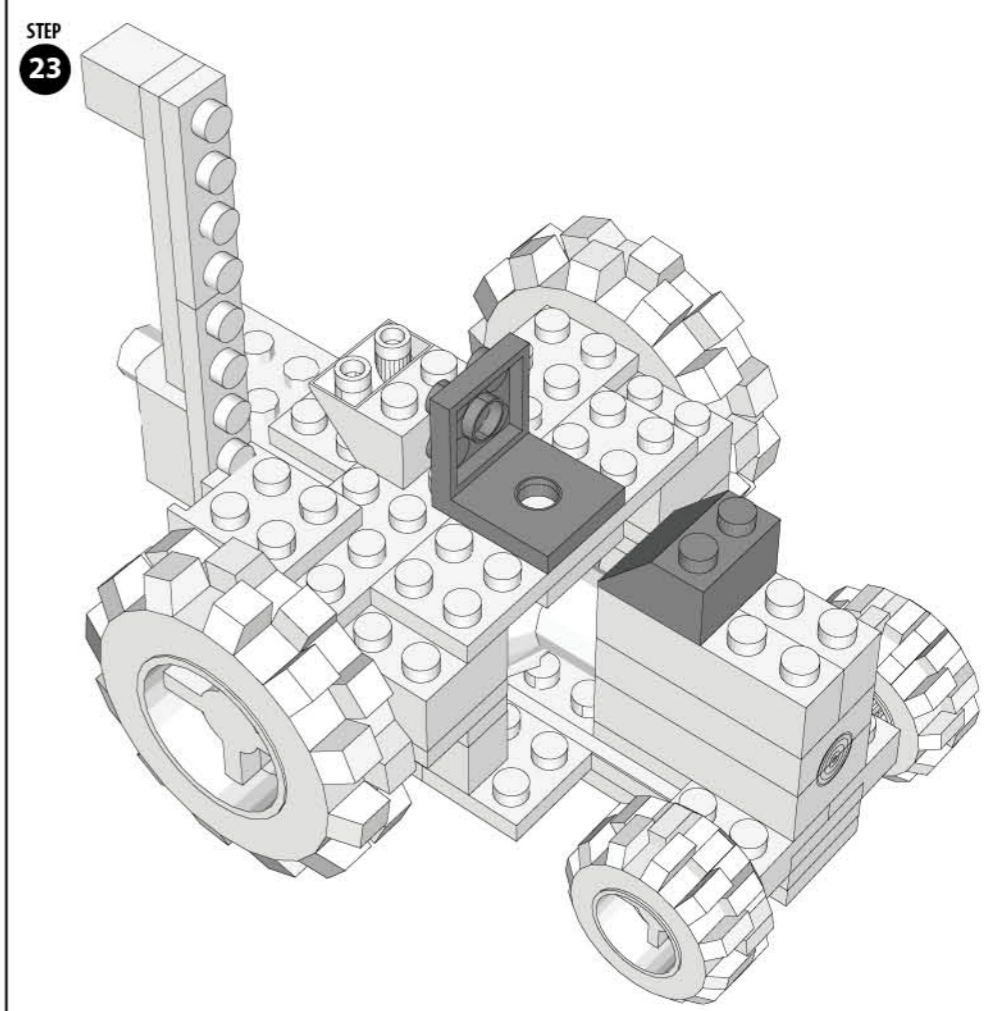
STEP 21



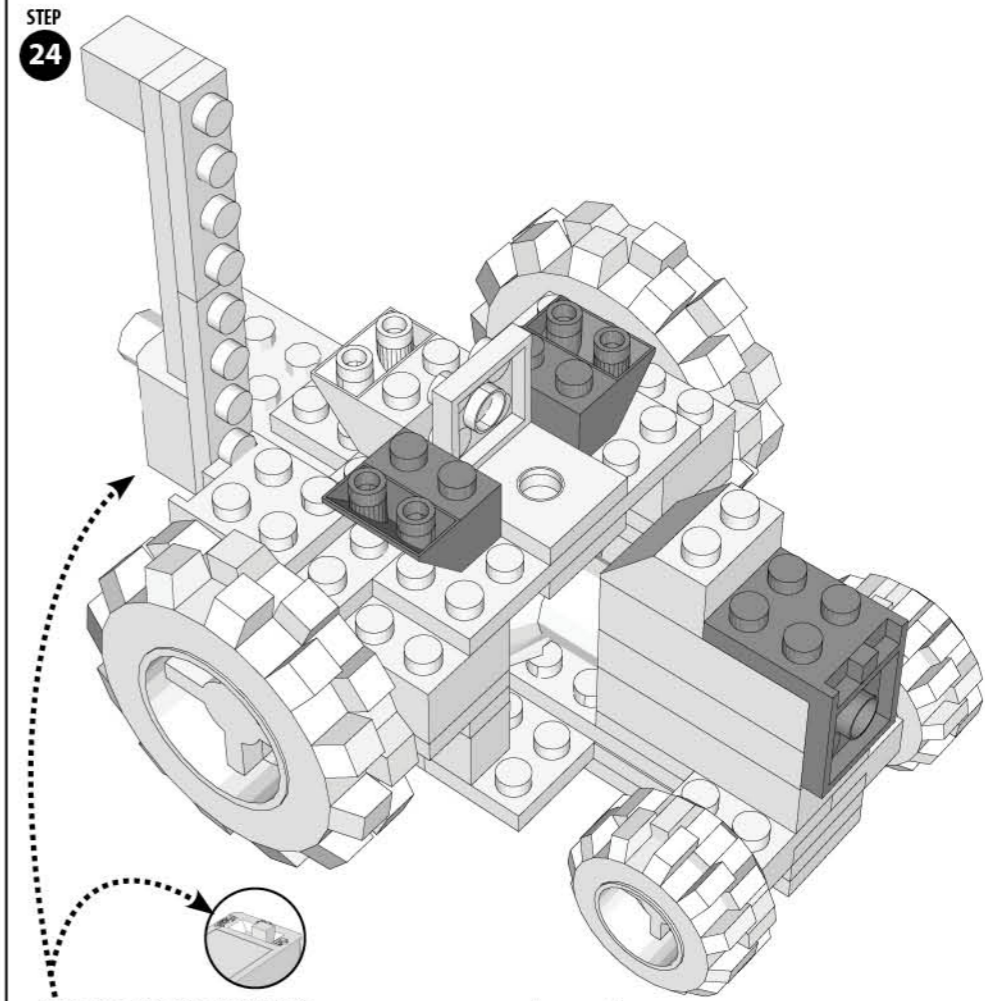
STEP 22



STEP 23



STEP 24



Slide the switch to Light It Up

www.LaserPegs.com

Copyright 2014 © All Rights Reserved Global & Multiple Patents Pending.

US Patent #7,731,558

MADE IN CHINA

LASER PEGS®

The Ultimate Construction Toy For Kids®

ZD 120B TRACTOR
AGES 5+

6 Models+
Any creation you can build

LIGHTED
CONSTRUCTION SET INCLUDES:

- 1 Laser Pegs®
- 64 Tinted Bricks
- Zippy Do® Power Base
- Instruction Manual

Please read this manual before you begin! Failure to follow this manual's instructions may result in damage to the Zippy Do® Power Base and/or the Zippy Do® pieces. Not adhering to these instructions will void the manufacturer's warranty. The packaging must be kept because it contains important information.

WARNING: CHOKING HAZARD-Small parts. Not for children under 3 yrs. Do not submerge in water.

WARNING: STROBE LIGHTS MAY CAUSE SEIZURES

Requires 3-LR44 Batteries **DO NOT SUBMERGE IN WATER**

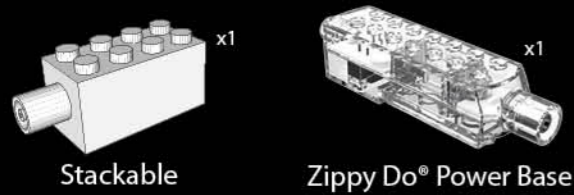
Batteries Included

EN71, RoHS COMPLIANT

This product complies to all safety requirements of ASTM F 963

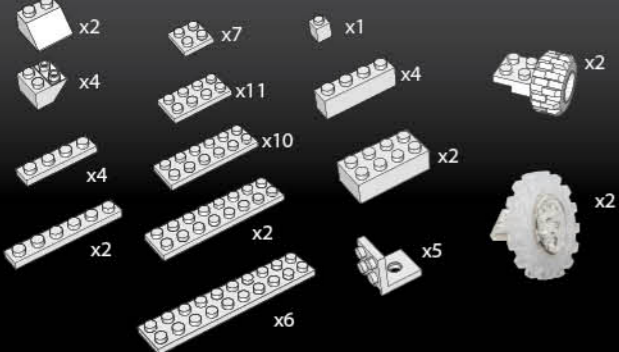


Laser Pegs® Parts List



The toy is not to be connected to more than the recommended number of power supplies

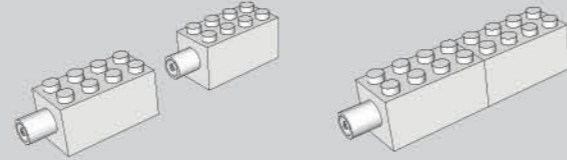
Tinted Bricks List



www.LaserPegs.com

This manual is copyright and cannot be reproduced or used online without Laser Pegs® Ventures LLC permission. Copyright 2014 © All Rights Reserved US Patent #7,731,558 Additional Global & Multiple Patents Pending. Laser Pegs® Ventures LLC. 8304 Consumer Ct Sarasota FL. 34240. Contact: Support@LaserPegs.com

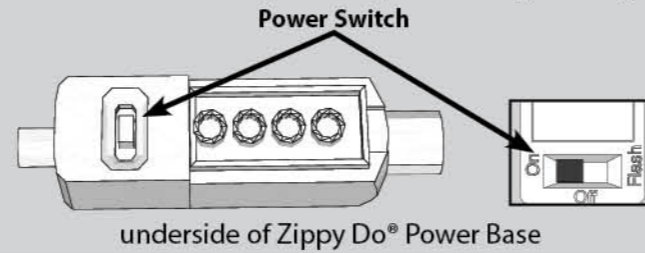
Connecting Pegs



To construct with Laser Pegs®, slide two pieces together to form a connection. Slide each piece on and off smoothly. (Laser Pegs® pieces sold separately).

*To avoid short-circuits, keep metal objects and other unauthorized materials from obstructing the peg holes.

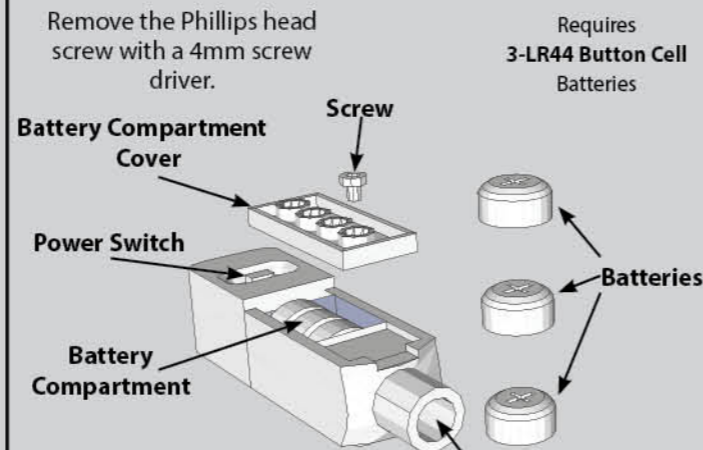
Slide Power Switch to turn on/off/flash
Slide Power Switch to cycle through different light settings.



This Product contains a button battery. If swallowed, it could cause severe injury or death in just 2 hours. Seek medical attention immediately.

Replacing Batteries

1. Remove the Phillips head screw.
2. Remove the Battery Compartment Cover.
3. Place three (3) LR44 batteries in the correct position. (Batteries are to be inserted with the correct polarity).
4. Replace the Battery Compartment Cover.
5. Replace the Phillips head screw.
6. Slide Power Switch to turn on!
7. Do not mix old and new batteries.
8. Do not mix alkaline, standard (carbon-zinc), or rechargeable (nickel-cadmium, NiMH) batteries!
9. Exhausted batteries are to be removed from the power base.
10. Batteries should be recycled or disposed of as per state and local guidelines.
11. Non-rechargeable batteries are not to be recharged.
12. Rechargeable batteries are only to be recharged under adult supervision.
13. Rechargeable batteries are to be removed from the toy before being recharged.
14. The supply terminals are not to be short-circuited.
15. Do NOT throw batteries into fire!



BATTERIES ARE TO BE INSERTED INTO THE TOY BY AN ADULT ONLY!

Connects to other Laser Pegs® pieces

ONLY ADULTS SHOULD INSTALL THE BATTERIES

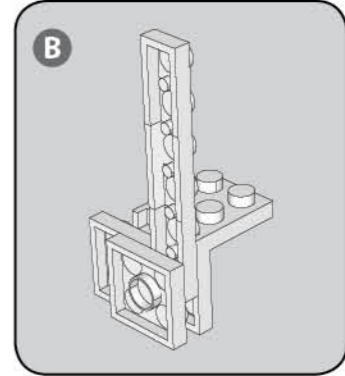
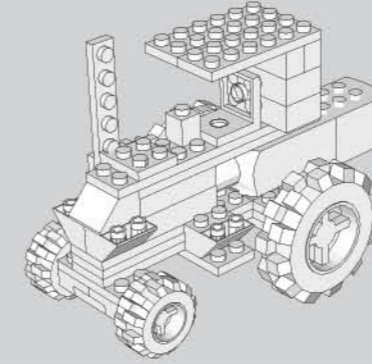
WHEATLAND STANDARD TRACTOR: A classic, large frame tractor with big rear wheels and smaller front wheels.



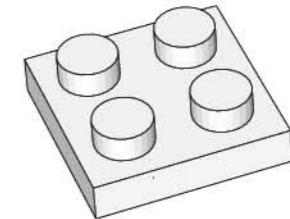
WHEATLAND STANDARD TRACTOR

Model Difficulty Level

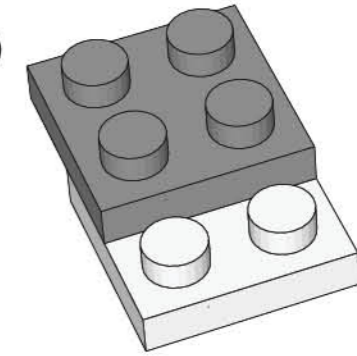
3



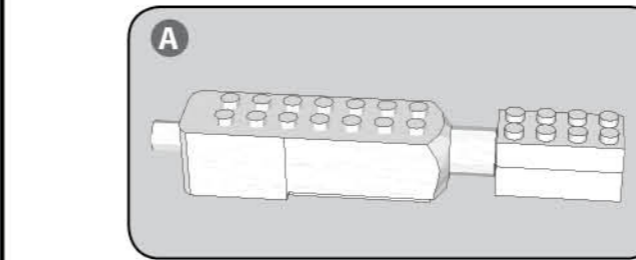
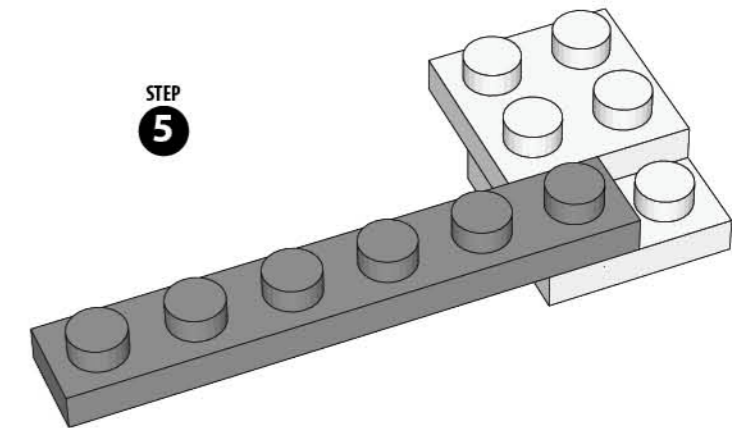
STEP 3



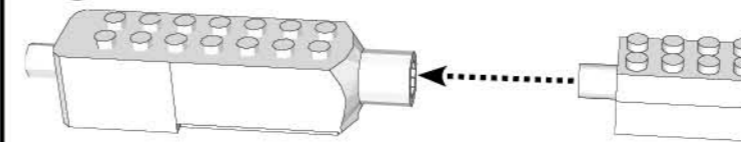
STEP 4



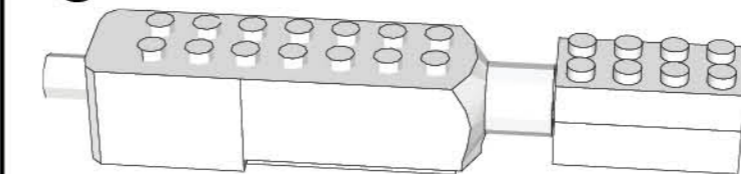
STEP 5



STEP 1



STEP 2



Laser Pegs® CARES
Questions? Comments?
For additional compliance info:
1-866-432-3735
Contact: Support@LaserPegs.com



COMBINE PARTS



FLIP MODEL OVER



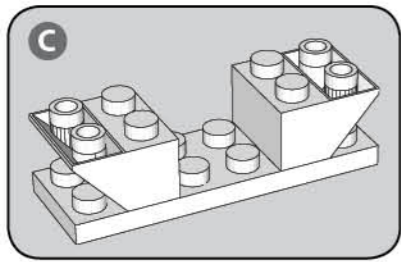
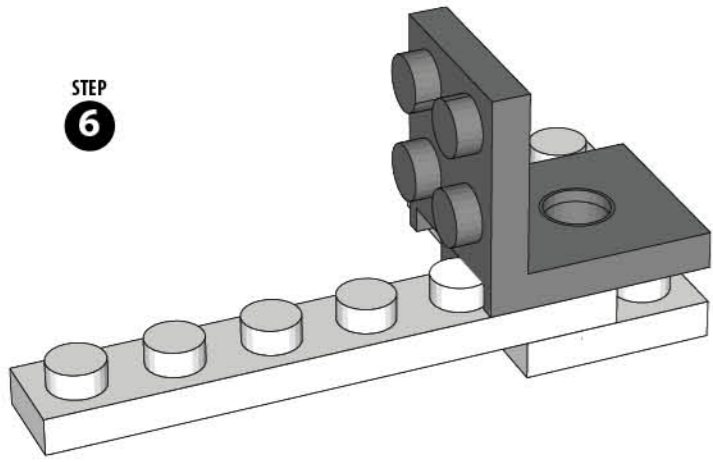
ROTATE MODEL

Environmental Phenomena

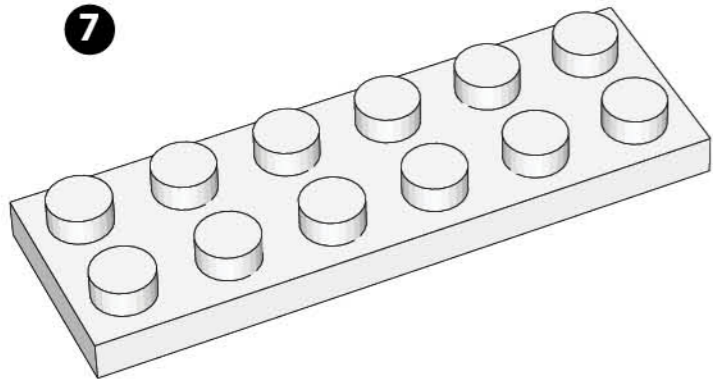
* The unit may malfunction if subjected to radio-frequency interference. It SHOULD revert to normal operation when the interference stops. If not, it may become necessary to turn the power off and back on, or remove and reinstall the batteries.

* In the unlikely event of an electrostatic discharge, the unit may malfunction and lose memory, requiring the user to reset the device by removing and reinstalling the batteries.

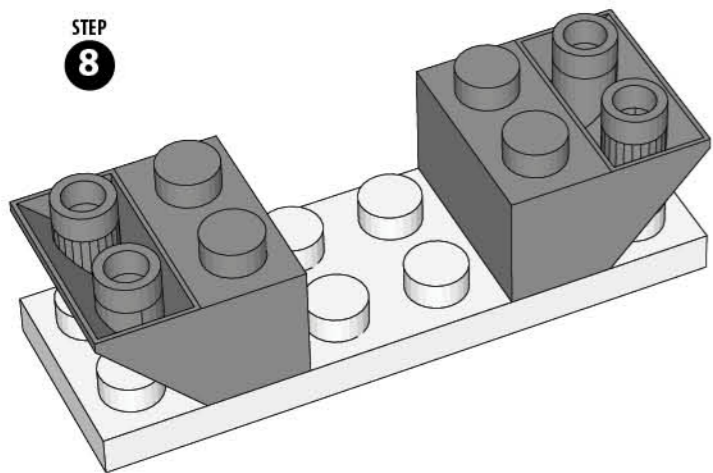
STEP 6



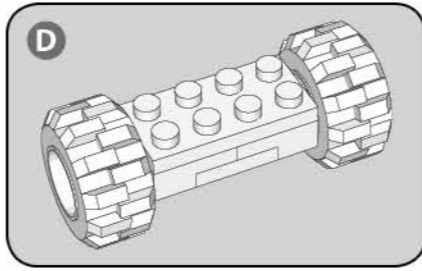
STEP 7



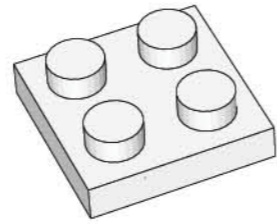
STEP 8



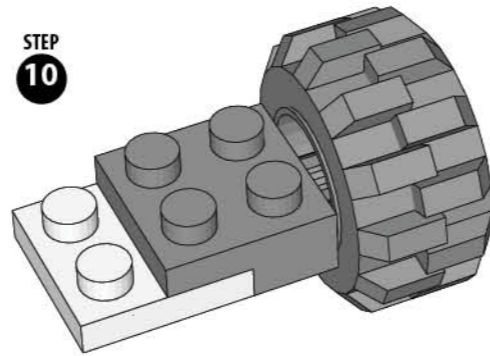
D



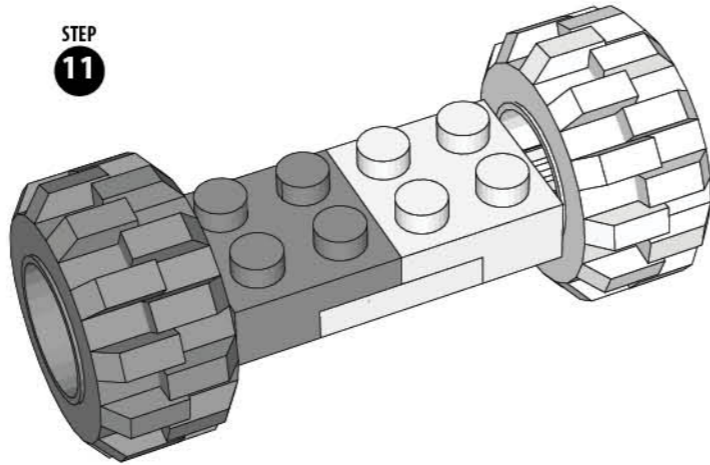
STEP 9



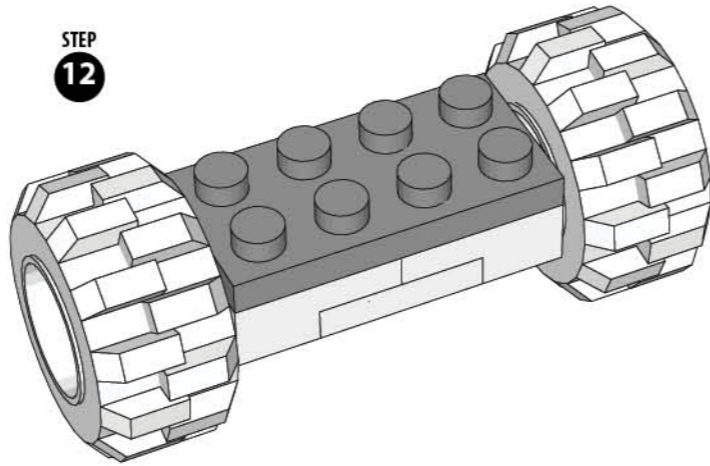
STEP 10



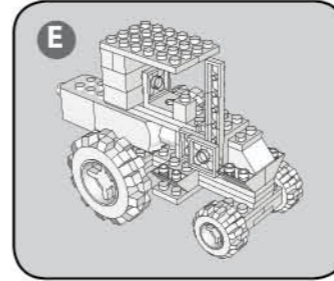
STEP 11



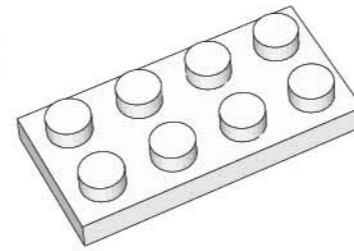
STEP 12



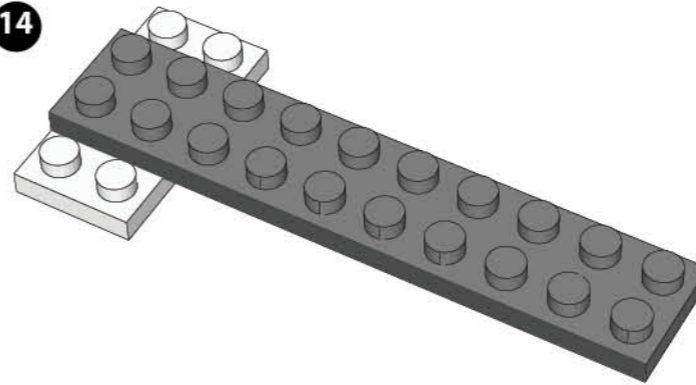
E



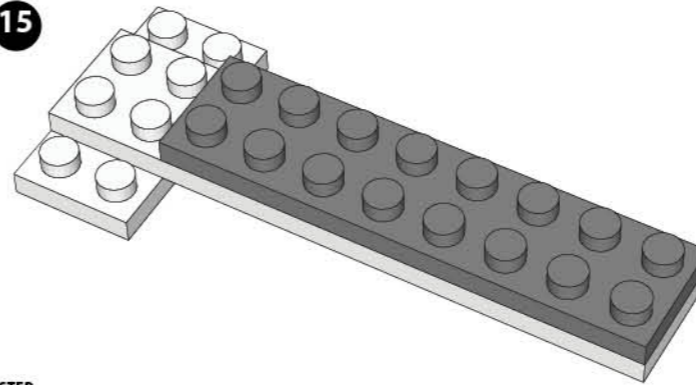
STEP 13



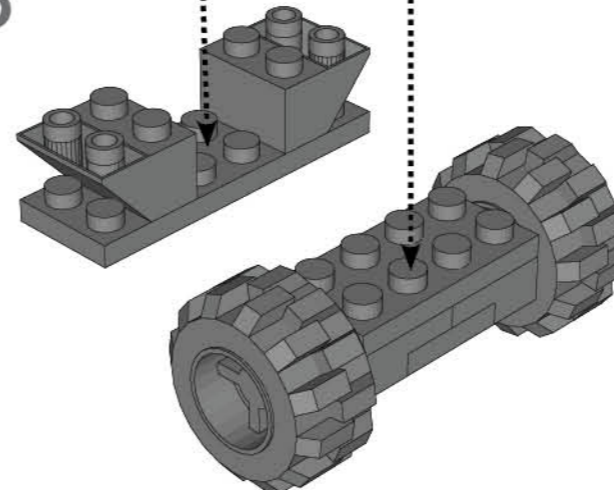
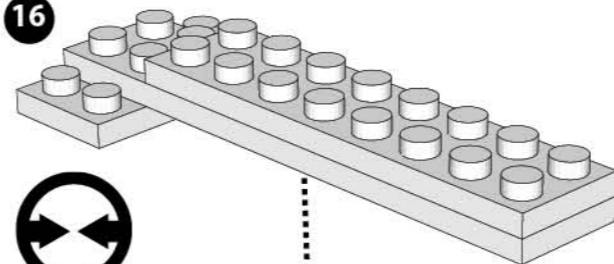
STEP 14



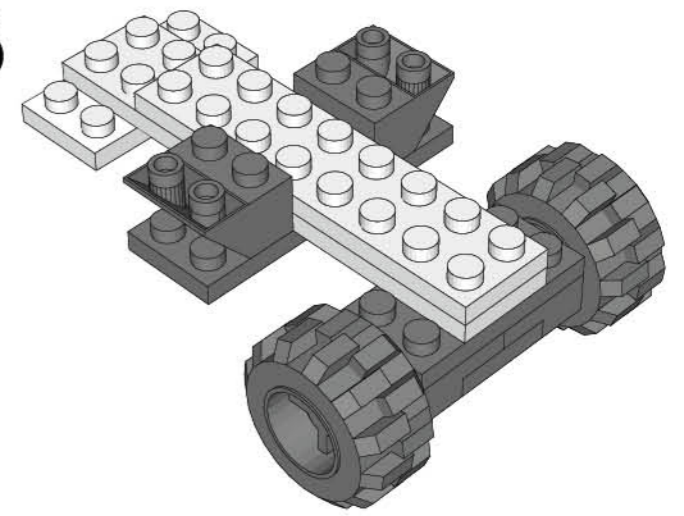
STEP 15



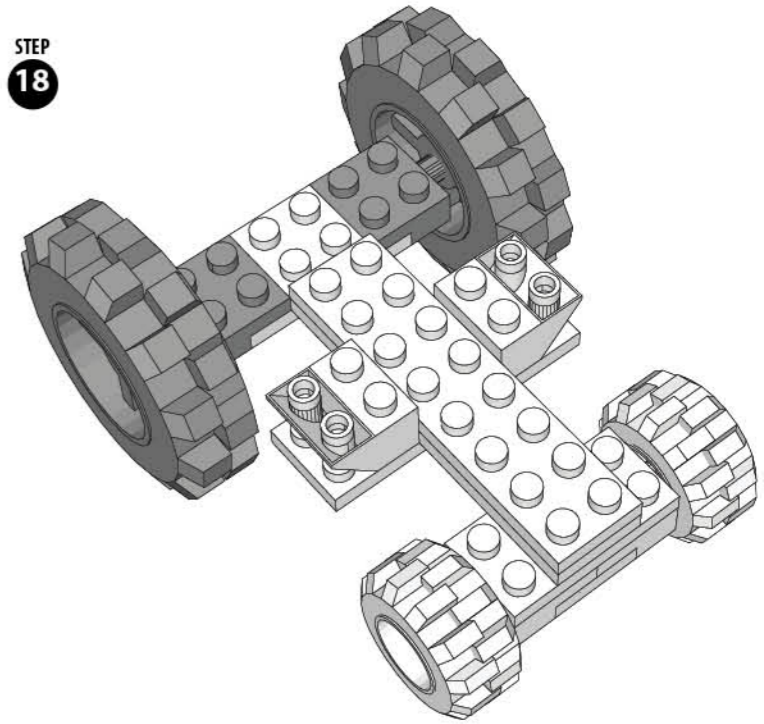
STEP 16



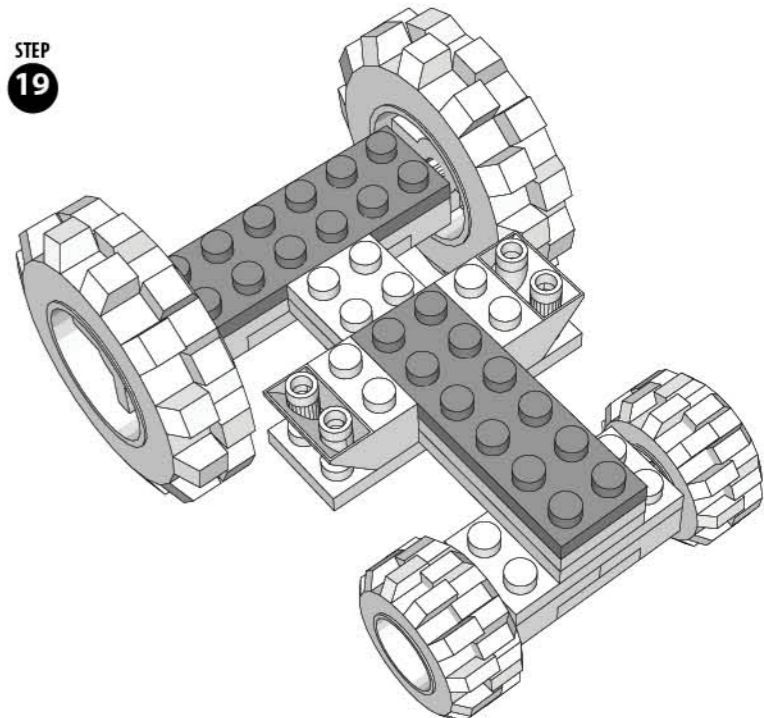
STEP 17



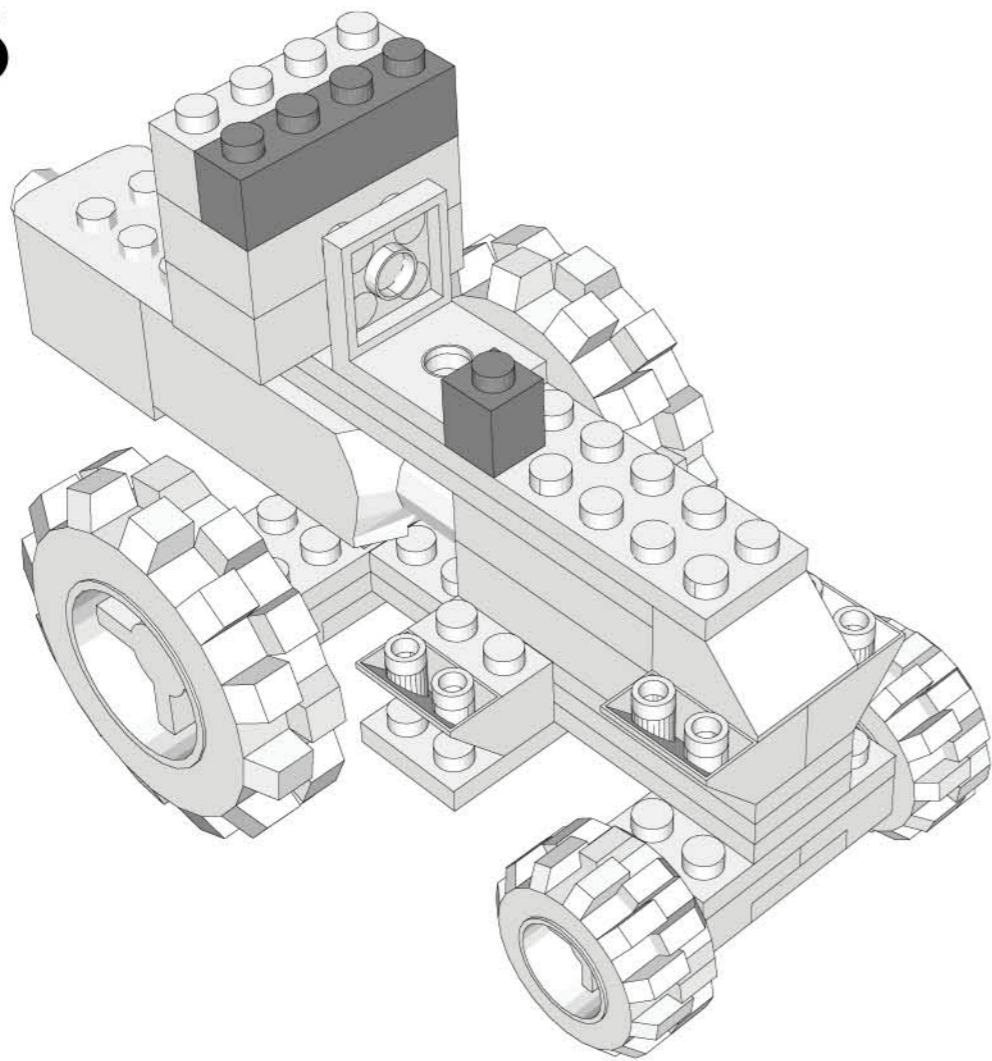
STEP 18



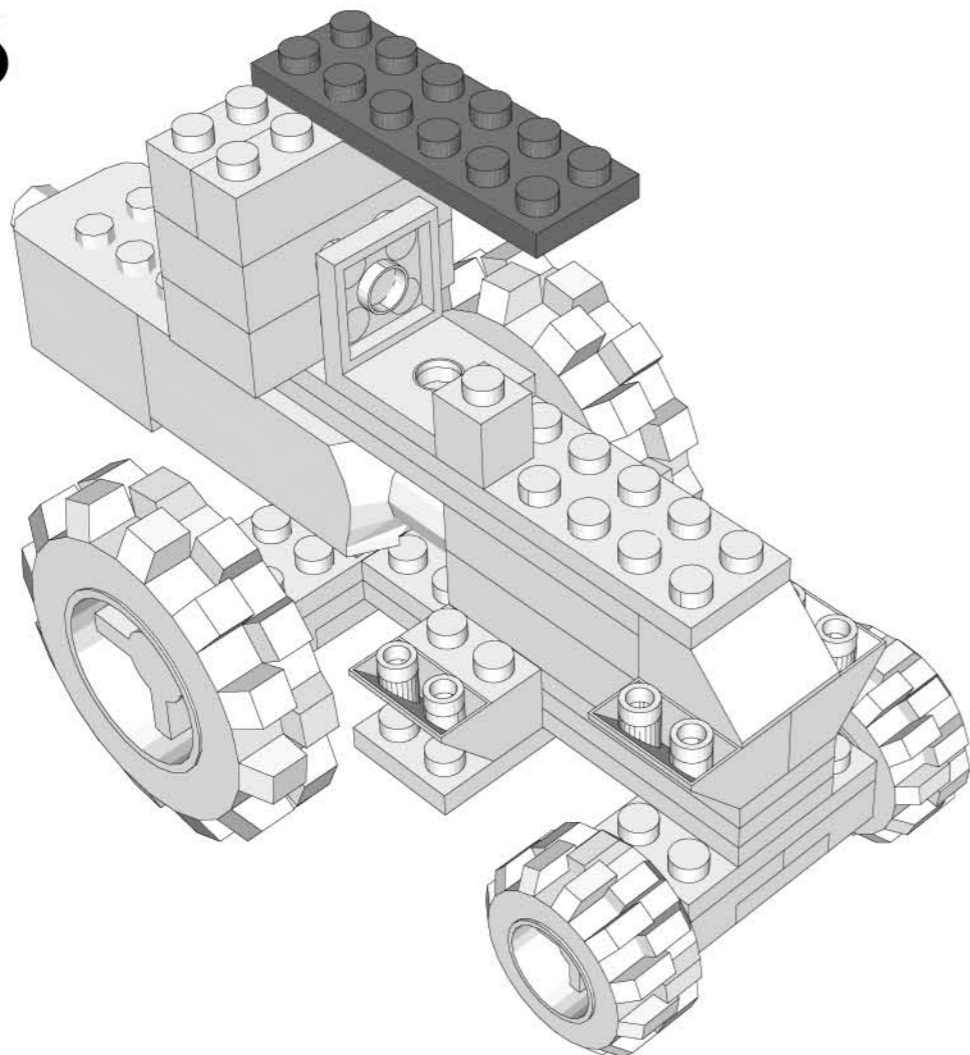
STEP 19



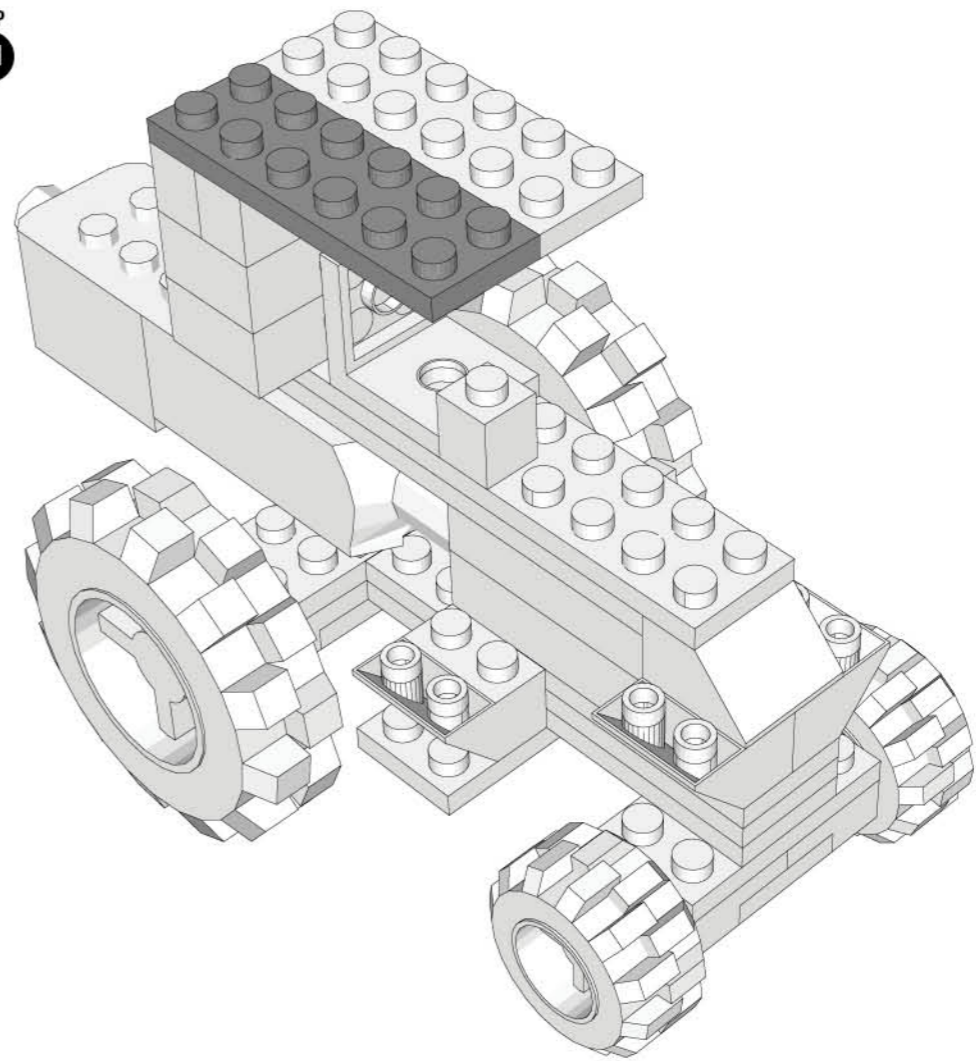
STEP
29



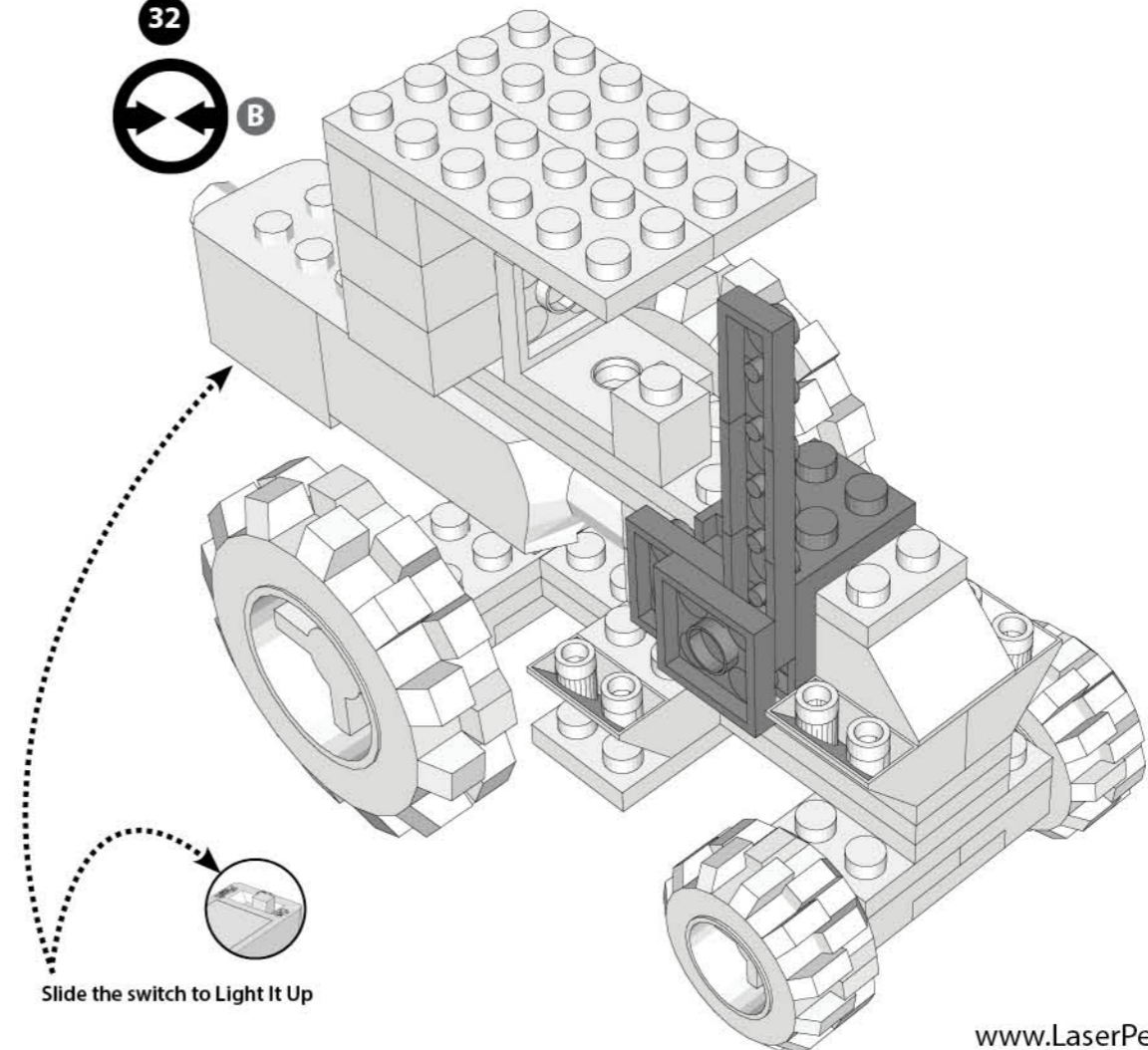
STEP
30



STEP
31



STEP
32



Slide the switch to Light It Up

MADE IN CHINA