

LASER PEGS®

The Ultimate Construction Toy For Kids®

PBI410B
POWER BLOCK
CAR SERIES

Ages 5+

8 Models+
Any creation you can build

LIGHTED
MOBILE POWER BLOCK™ SET
INCLUDES:

- 83 Tinted Bricks
- 4 Tire Pegs
- 2 Square M-M Pegs
- 1 Mobile Power Block™

Requires 3 AAA Batteries

Batteries NOT
Included

WARNING:
CHOKING HAZARD - Small parts.
Not for children under 3 yrs.
Do not submerge in water.

DO NOT SUBMERGE IN WATER

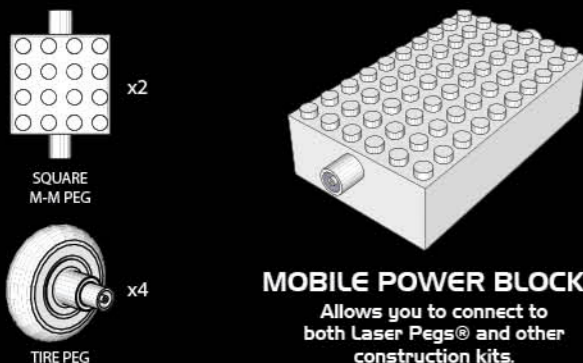
EN71, RoHS COMPLIANT

This product complies to
all safety requirements
of ASTM F 963

MODEL INSTRUCTIONS

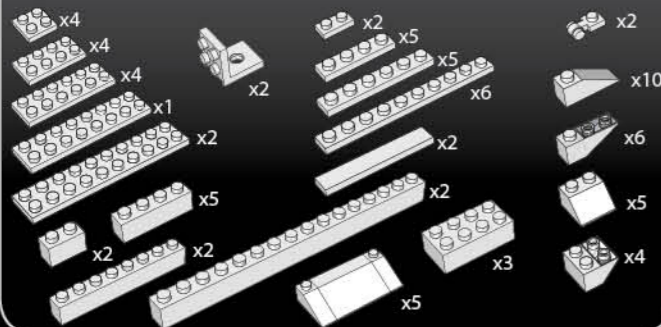
All additional model instructions can
be downloaded at www.LaserPegs.com

Laser Pegs® Parts List



Color Code Each Laser Peg® is color coded on the circuit board inside each shape.

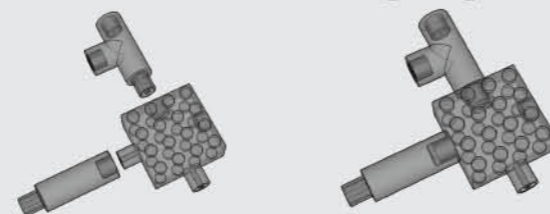
Tinted Bricks List



www.LaserPegs.com

This manual is copyright and cannot be reproduced or used online without Laser Pegs® Ventures LLC permission. Copyright 2014 © All Rights Reserved US Patent #7,731,558 Additional Global & Multiple Patents Pending. Laser Pegs® Ventures LLC, 8304 Consumer Ct., Sarasota FL 34240. Contact: Support@LaserPegs.com

Connecting Pegs



To construct with Laser Pegs®, slide two pieces together to form a connection. Slide each piece on and off smoothly.

POWER BLOCK

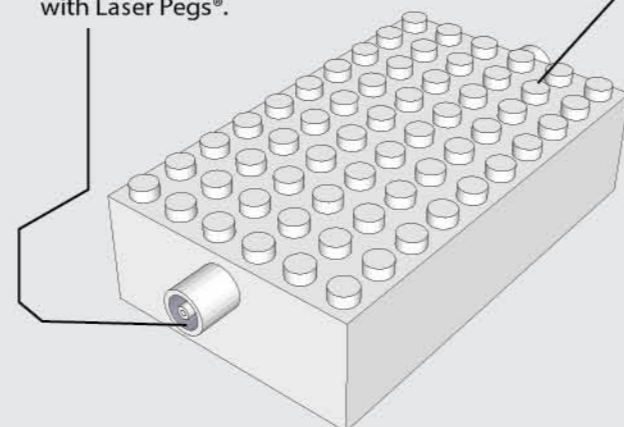
The Power Block is a Power Base that allows you to build with Laser Pegs® and construction parts to build models that light up. It is battery operated. (BATTERIES NOT INCLUDED.)

Laser Pegs® Connections

Allows you to construct with Laser Pegs®.

Construction Part Connections

Allows you to connect to other construction kits.

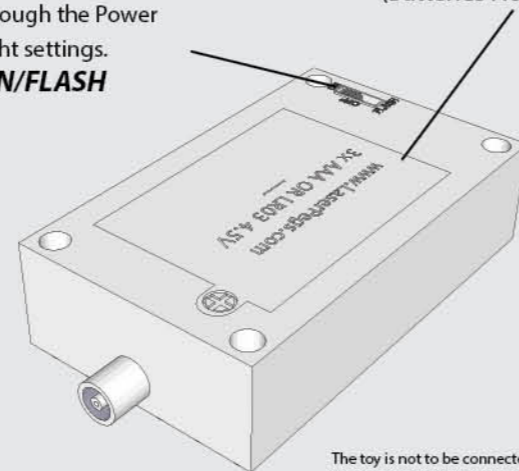


Power Switch

Move the Power Switch to cycle through the Power Block light settings.
OFF/ON/FLASH

Battery Compartment

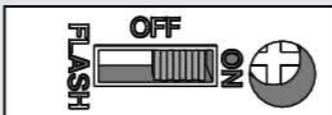
Requires 3-AAA Batteries (Batteries Not Included)



The toy is not to be connected to more than the recommended number of power supplies

LIGHT SETTINGS

OFF - Turns lights OFF
ON - Turns lights ON
FLASH - Makes lights FLASH



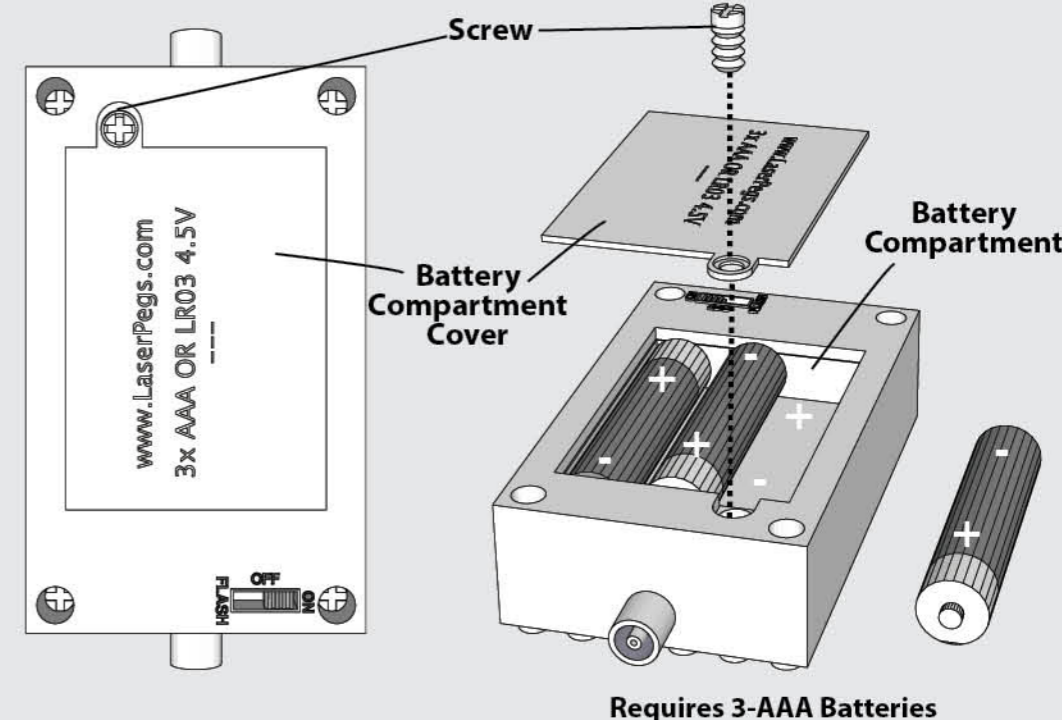
**WARNING: STROBE LIGHTS
MAY CAUSE SEIZURES**

WARNING! Each Laser Peg® draws current from the batteries. Therefore, the more pegs you use, the quicker you will deplete your battery power! As the power weakens, the current will slowly fail and some Laser Pegs® will illuminate (typically the reds and yellows) and some won't. When the Laser Pegs® dim, the Laser Pegs® are not broken, they just need stronger batteries. You have 2 simple options...
1. Change the batteries.
2. Use high quality batteries. They will last a little longer, but they will still deplete rapidly the more Laser Pegs® you connect!

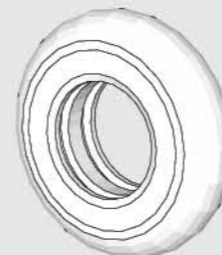
Replacing Batteries

1. Remove Screw.
2. Lift off Battery Compartment Cover.
3. Place three (3) AAA batteries in the correct position - as displayed inside of the Power Block.
4. Replace Battery Compartment Cover and Screw.
5. Slide Power Switch setting to OFF/ON/FLASH.
6. Do not mix old and new batteries.
7. Do not mix alkaline, standard (carbon-zinc), or rechargeable (nickel-cadmium, NiMH) batteries!
8. Exhausted batteries are to be removed from the power base.
9. Never connect more than 30 Laser Pegs® at one time!
10. Non-rechargeable batteries are not to be recharged.
11. Rechargeable batteries are only to be recharged under adult supervision.
12. Rechargeable batteries are to be removed from the toy before being recharged.
13. Batteries are to be inserted with the correct polarity.
14. The supply terminals are not to be short-circuited.
15. DO NOT THROW BATTERIES INTO FIRE!

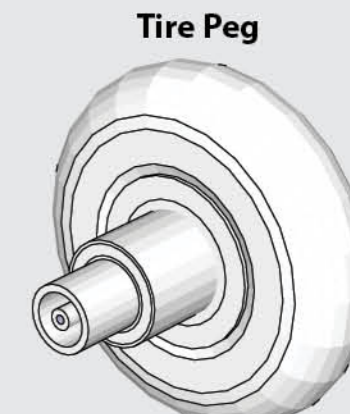
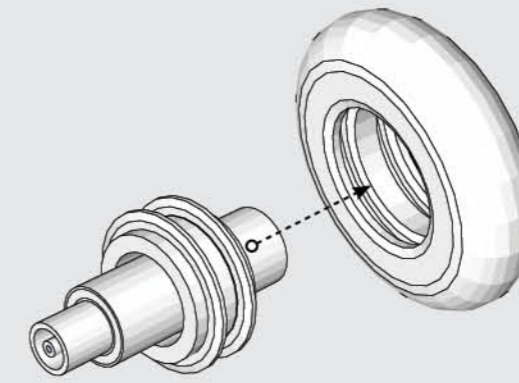
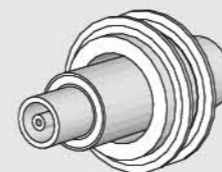
Remove the Phillips head screw with a 4mm screw driver.
Requires 3-AAA Batteries
Batteries NOT Included



Connecting the Laser Pegs® Tire to the Axle Peg



Place Axle Peg through the Tire

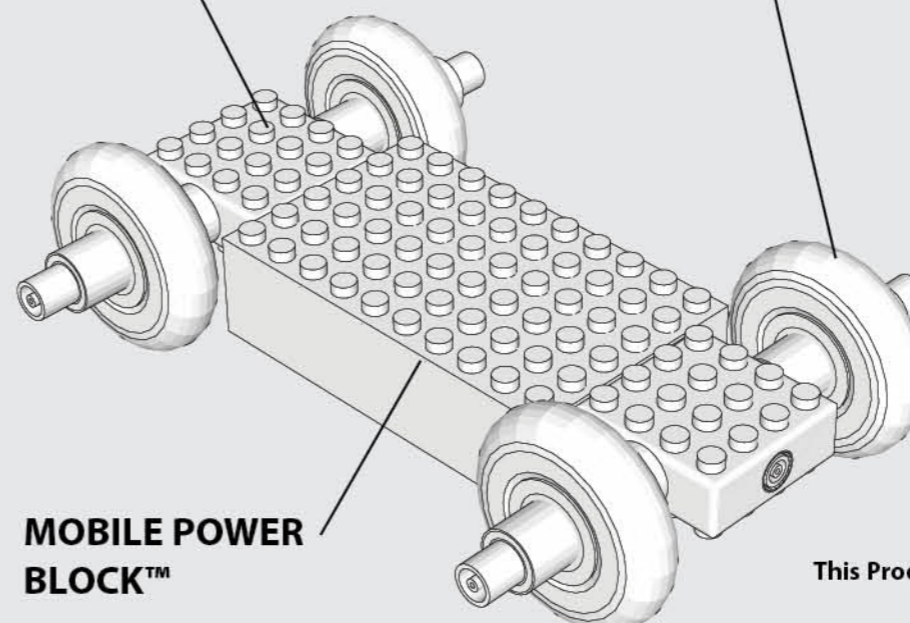


POWER BLOCK™

Use the Laser Pegs® Square M-M Peg to attach the Tire Pegs to the Power Block™.

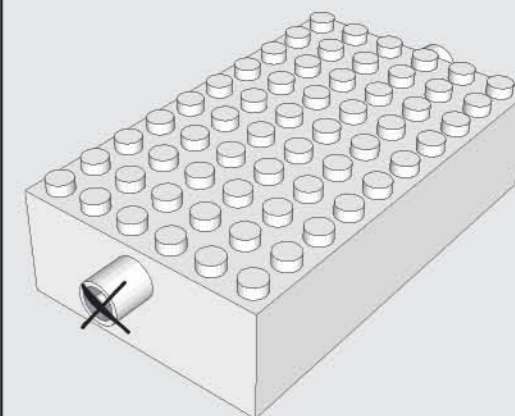
Laser Pegs® Square M-M Peg

Tire Peg



AVOID DAMAGE TO PEG HOLES

*To avoid short-circuits, keep metal objects and other unauthorized materials from obstructing the peg holes.



Never connect more than 30 Laser Pegs® to the Power Block at one time.

This Product contains a button battery. If swallowed, it could cause severe injury or death in just 2 hours. Seek medical attention immediately.

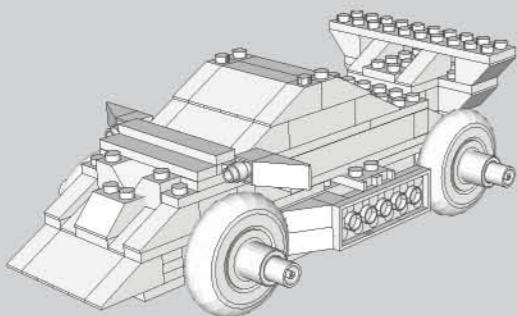
SPORTS CAR - A SMALL, USUALLY TWO SEAT, TWO DOOR AUTOMOBILE DESIGNED FOR HIGH PERFORMANCE, SPEED AND HANDLING.



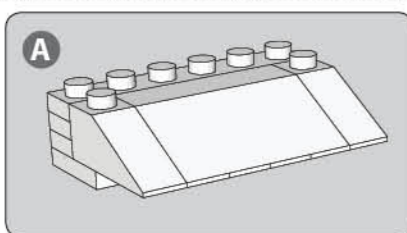
SPORTS CAR

Model
Difficulty
Level

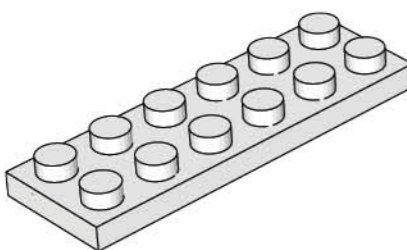
2



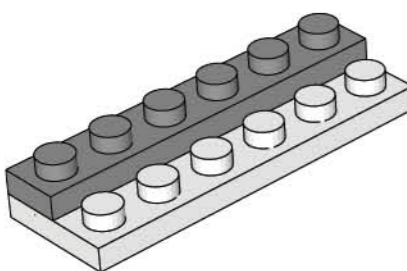
The TRY-ME mechanism is for display purposes ONLY and should be discarded as per state and local regulations. It is NOT intended to be used for the building of this model.



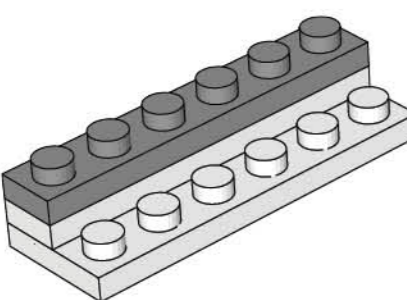
STEP 1



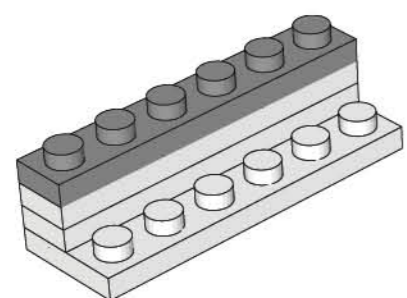
STEP 2



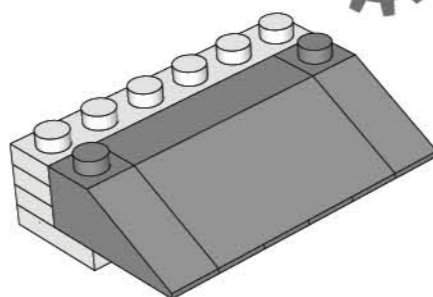
STEP 3



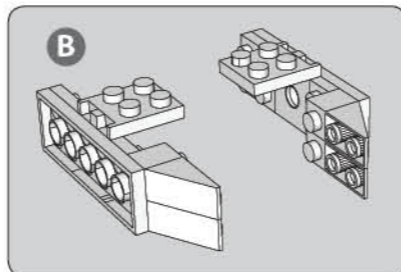
STEP 4



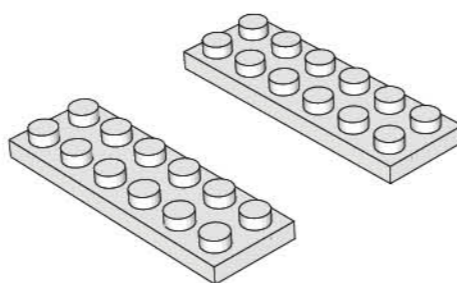
STEP 5



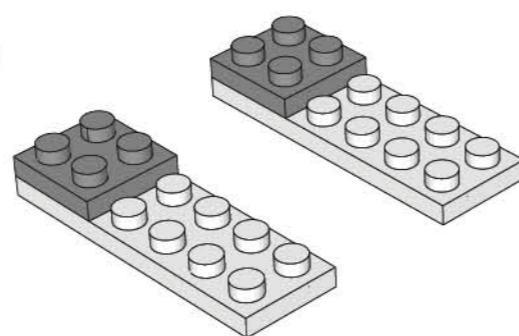
B



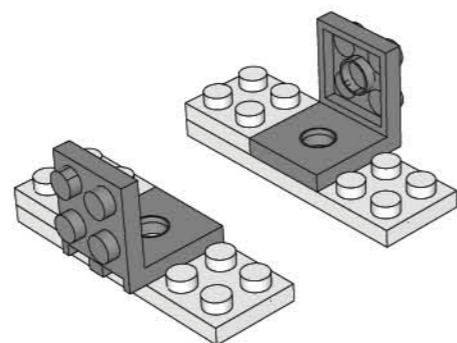
STEP 6



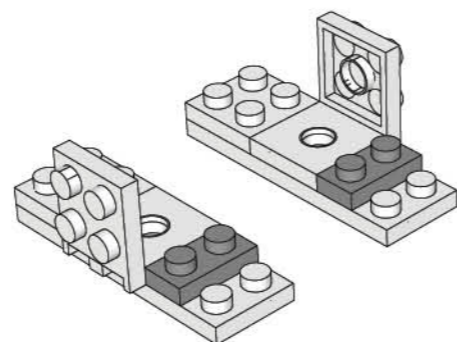
STEP 7



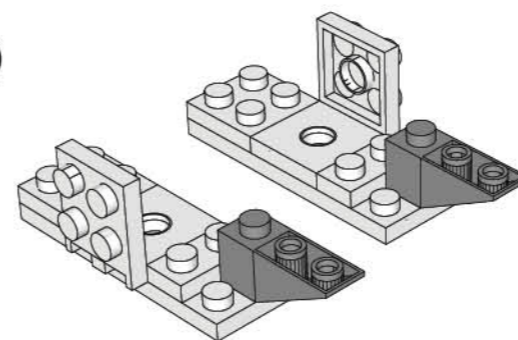
STEP 8



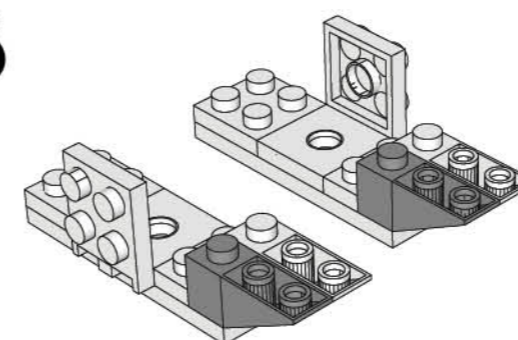
STEP 9



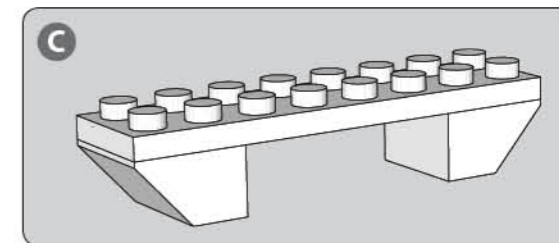
STEP 10



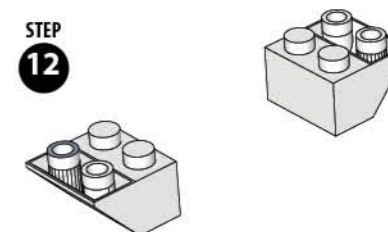
STEP 11



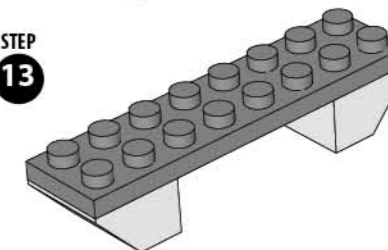
C



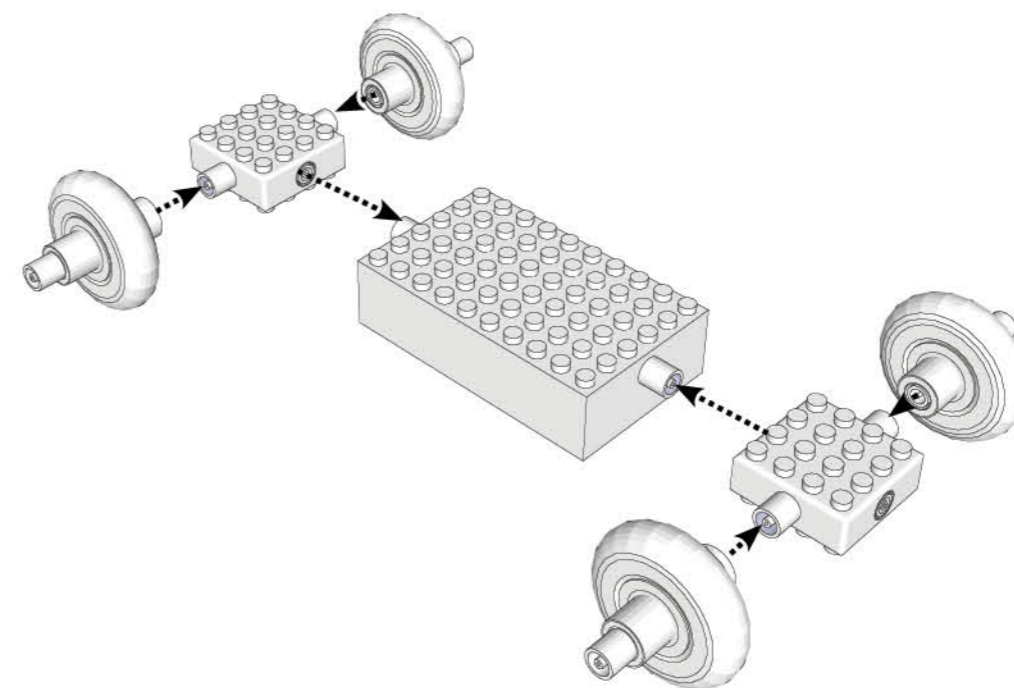
STEP 12



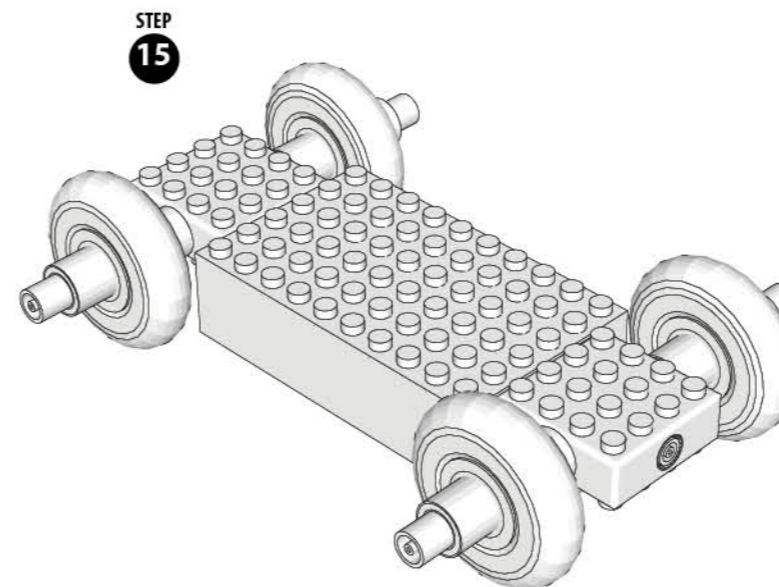
STEP 13



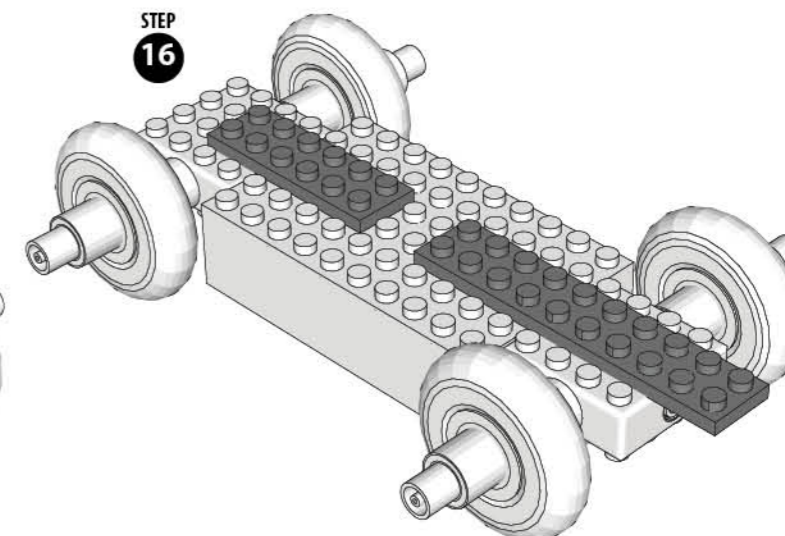
STEP 14



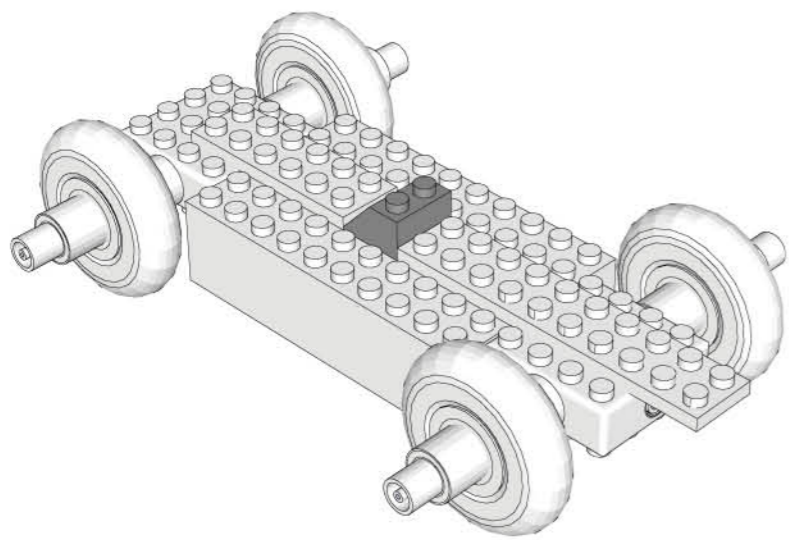
STEP 15



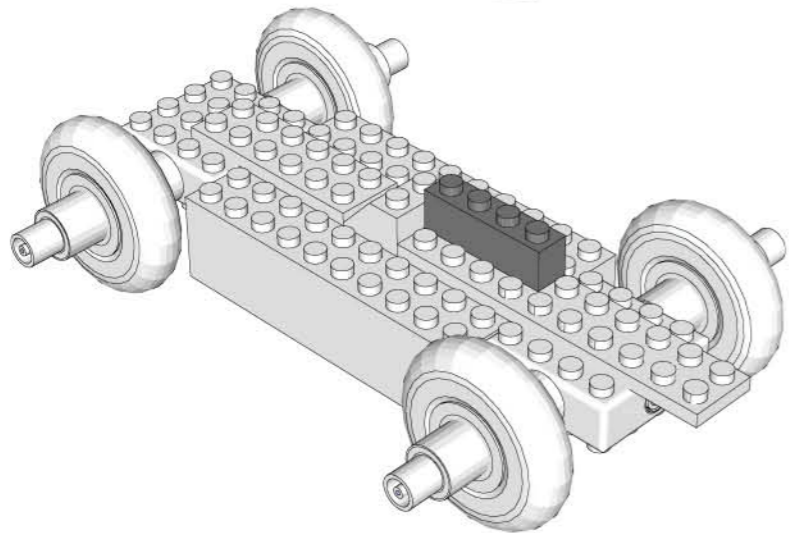
STEP 16



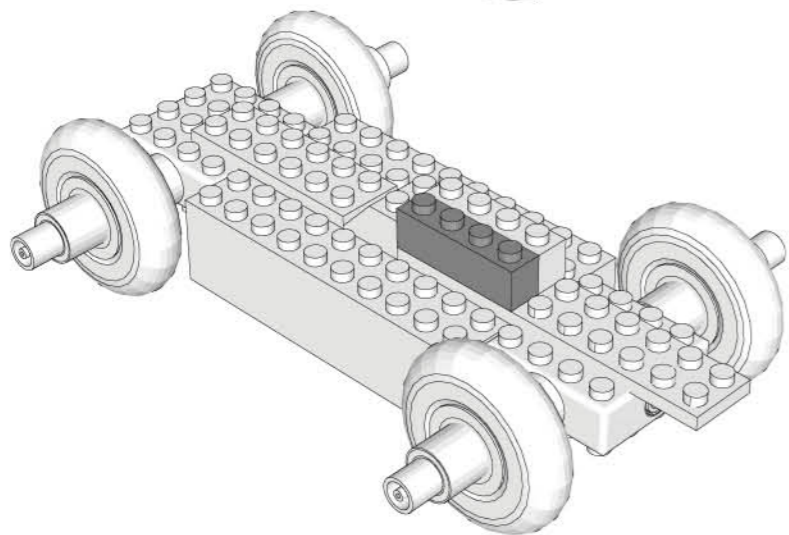
STEP
17



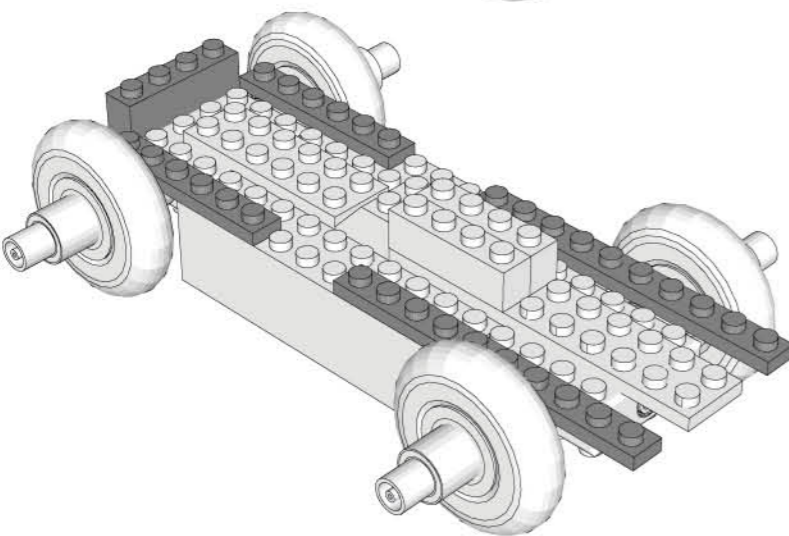
STEP
18



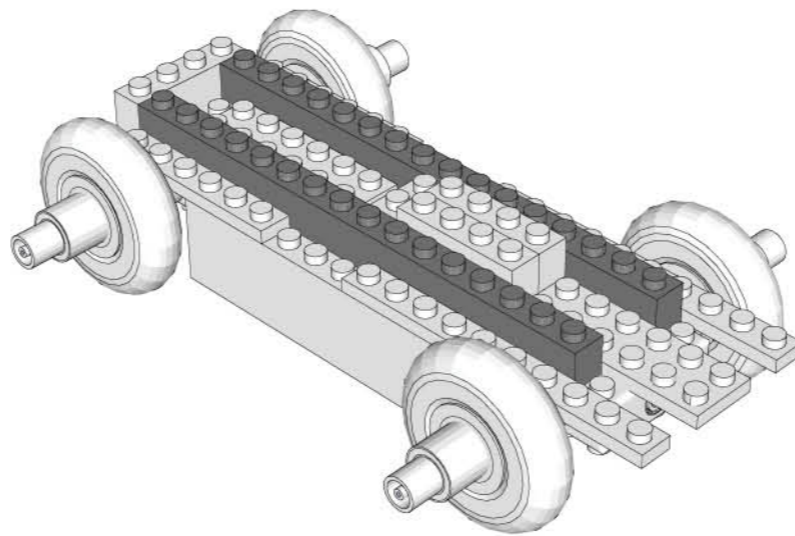
STEP
19



STEP
20

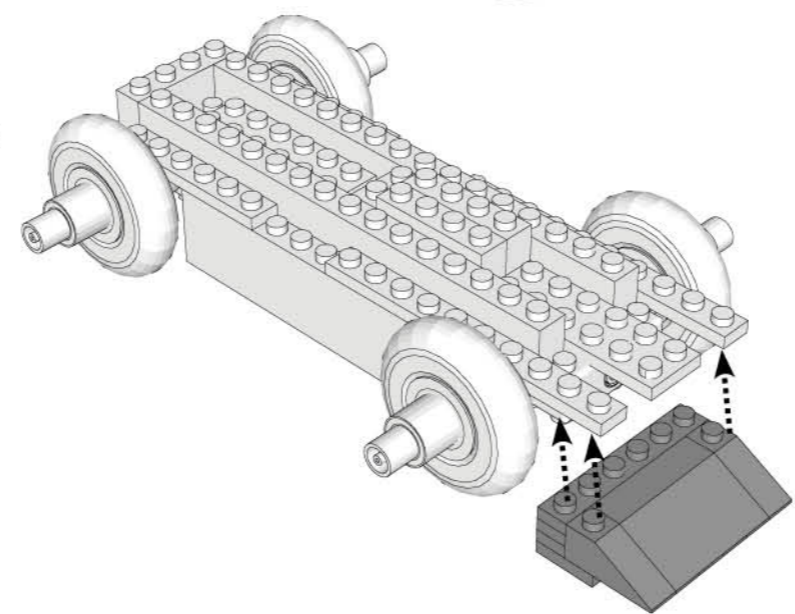


STEP
21

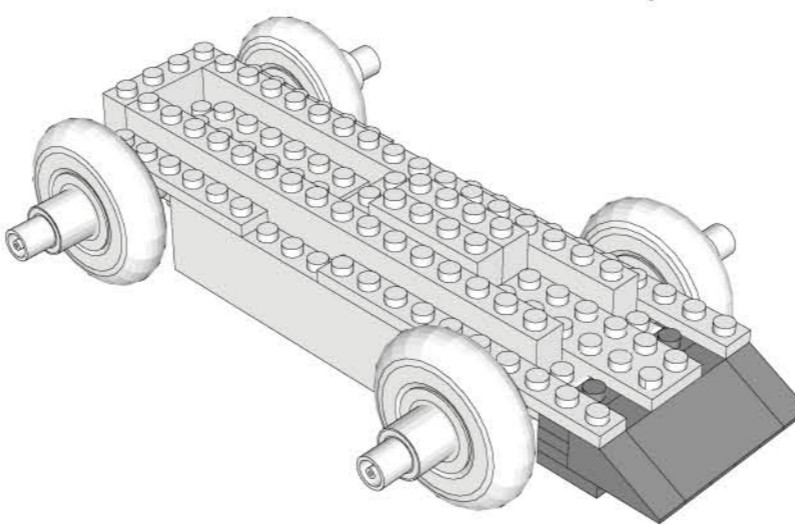


STEP
22

COMBINE
A

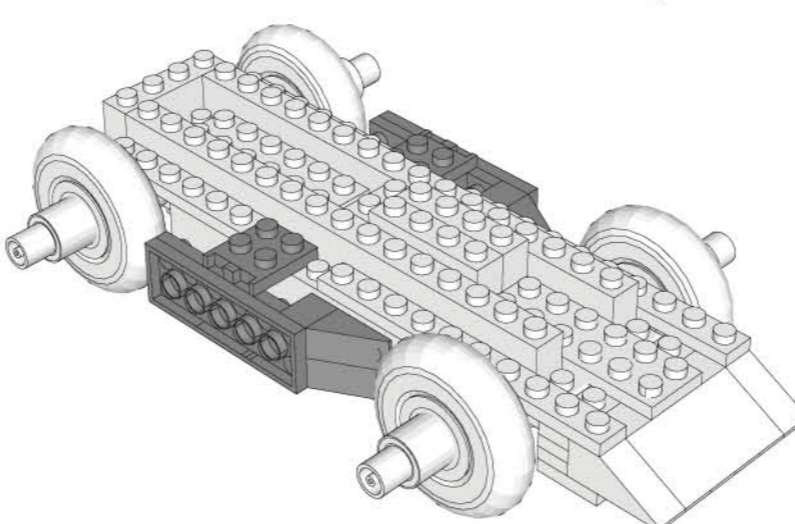


STEP
23

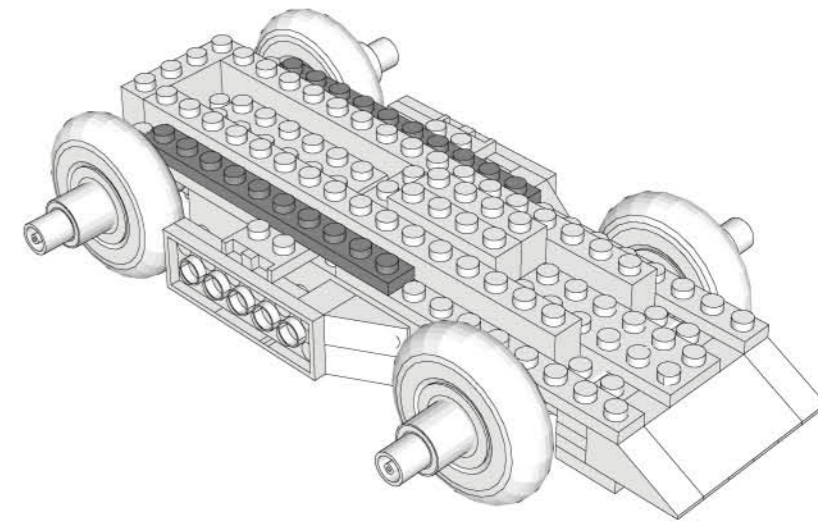


STEP
24

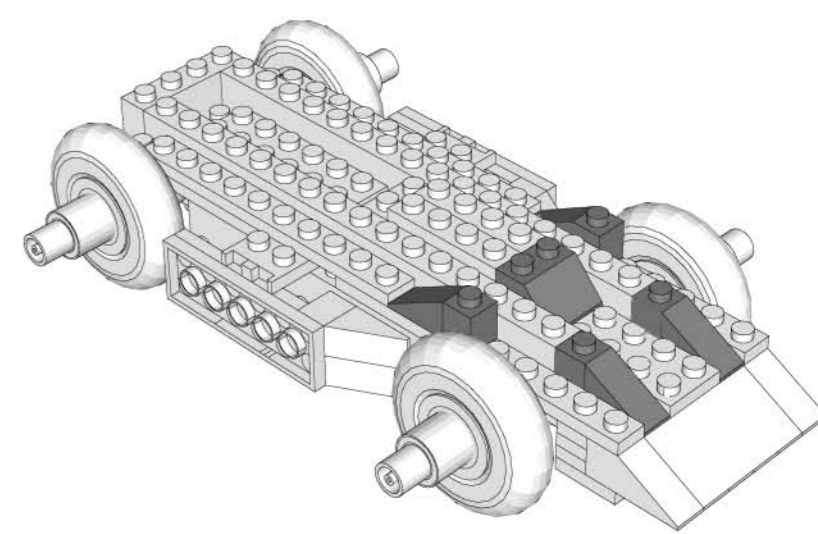
COMBINE
B



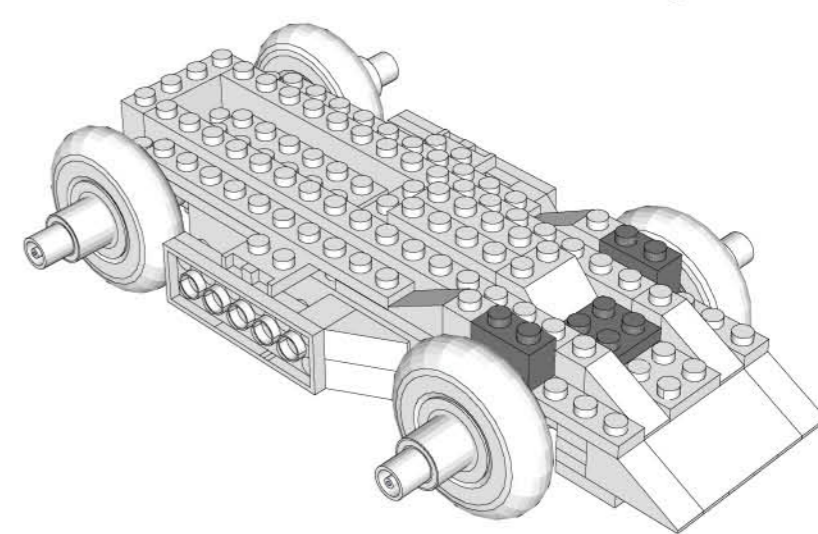
STEP
25



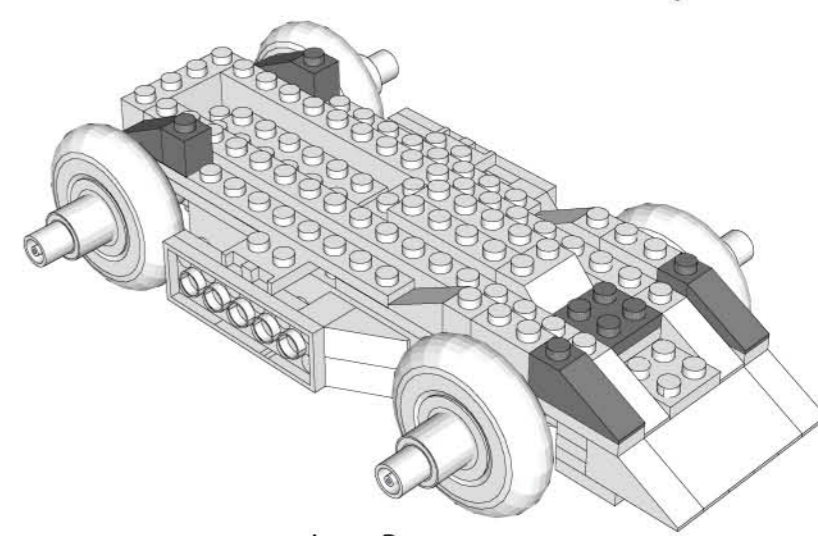
STEP
26



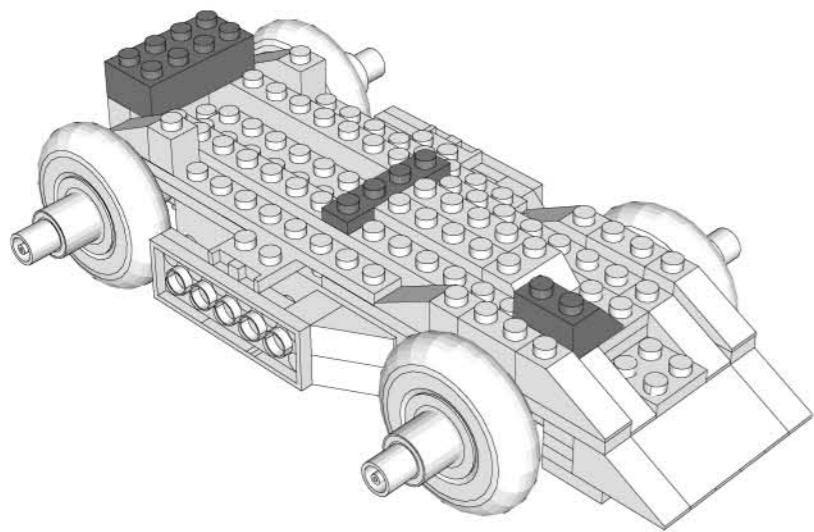
STEP
27



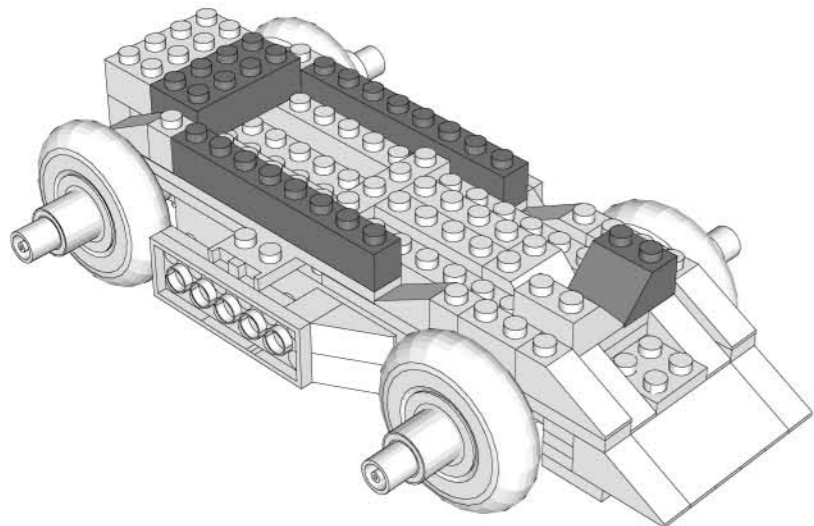
STEP
28



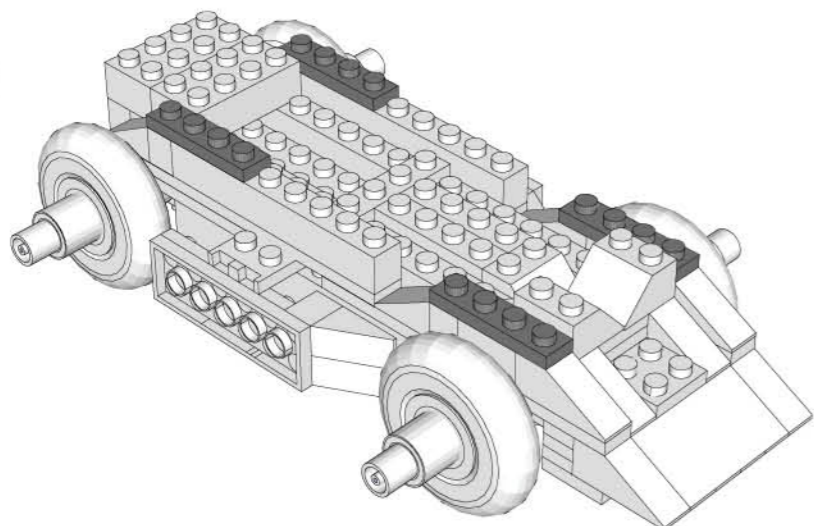
STEP 29



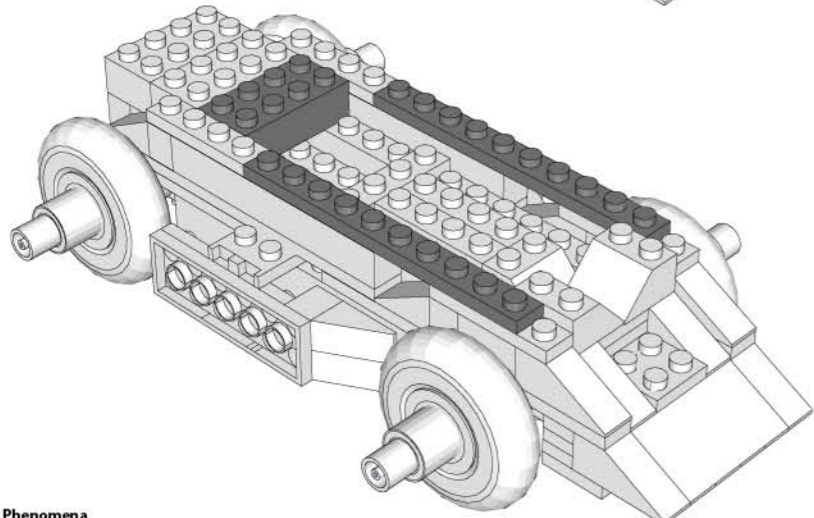
STEP 30



STEP 31

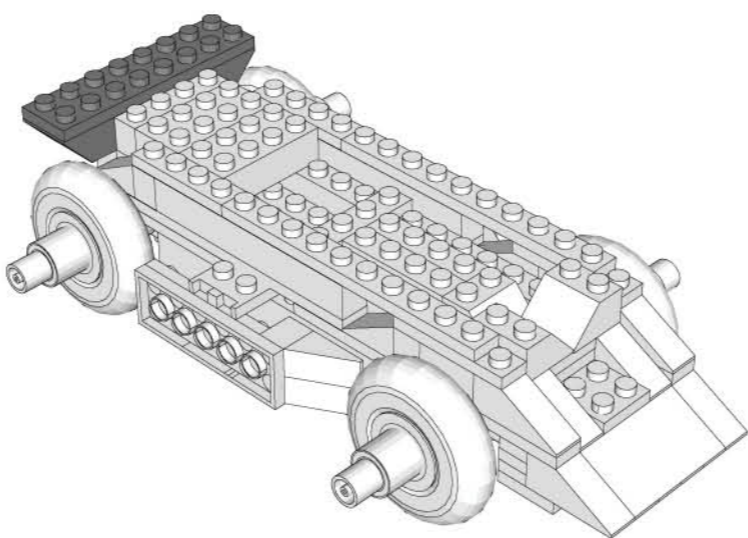


STEP 32

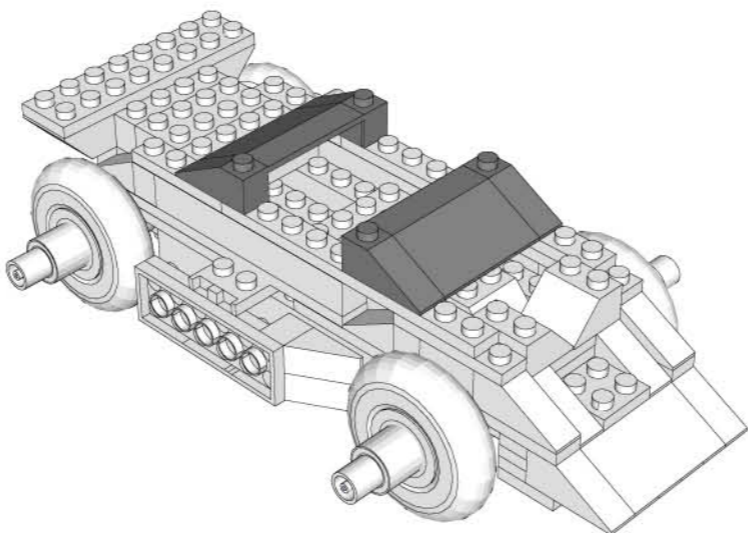


STEP 33

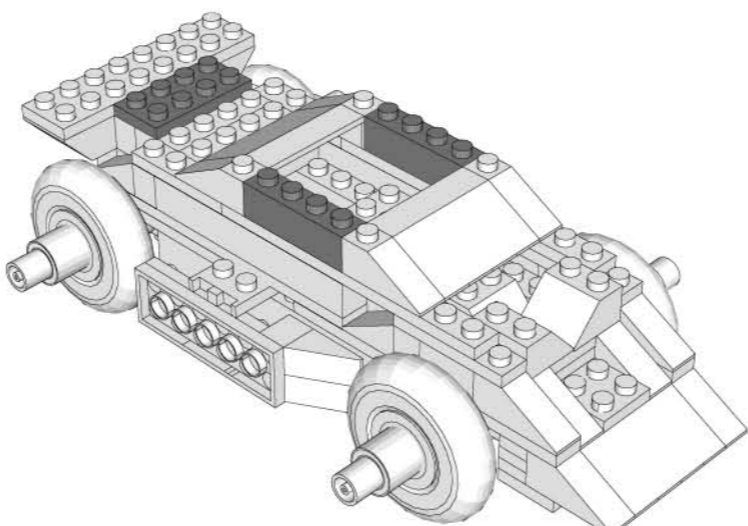
COMBINE C



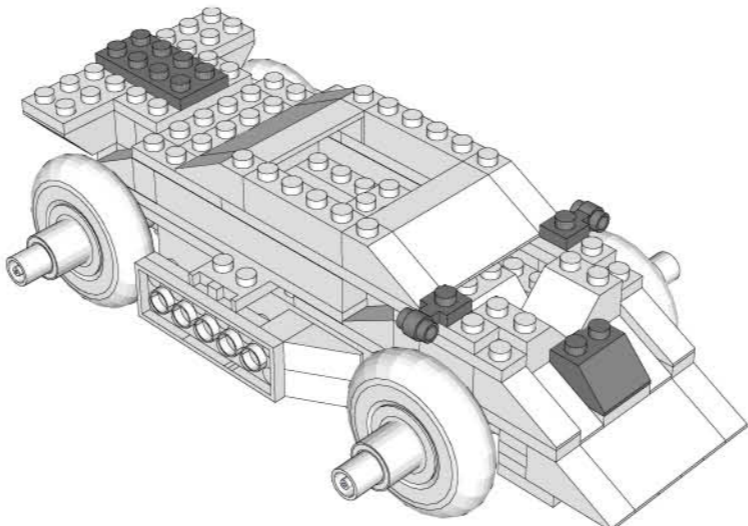
STEP 34



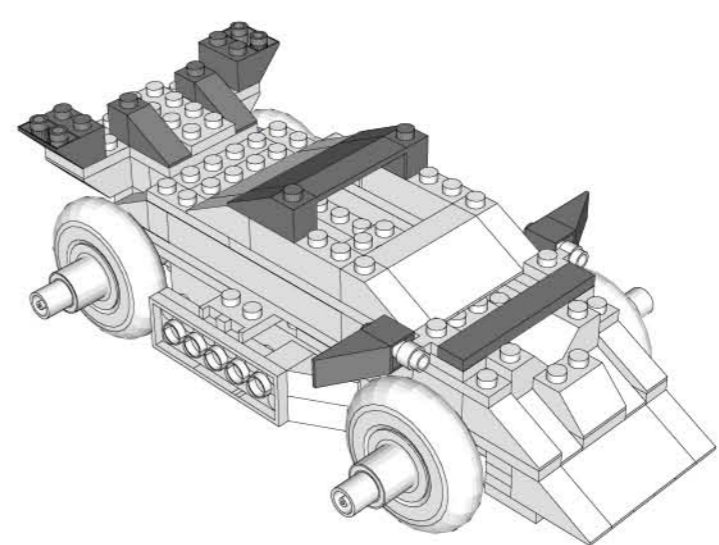
STEP 35



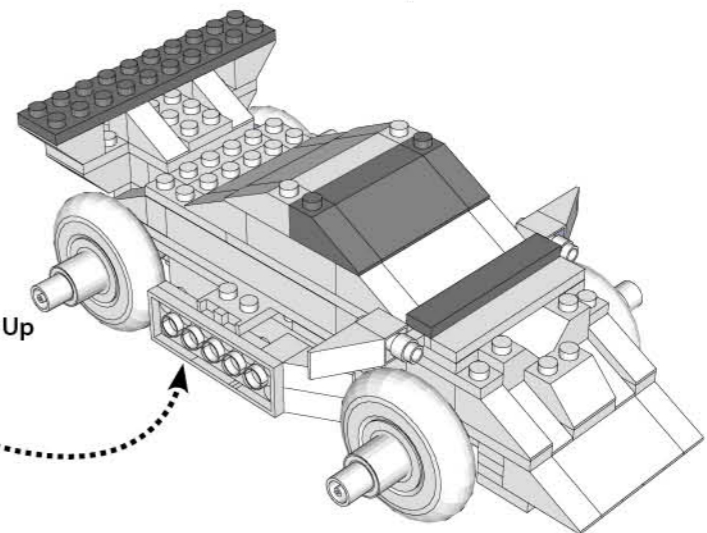
STEP 36



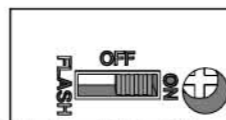
STEP 37



STEP 38



Slide the switch to Light It Up

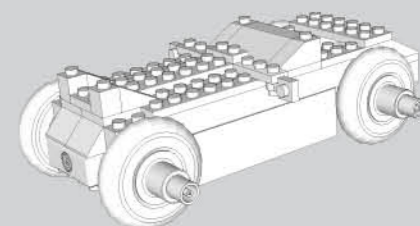


OFF - Turns lights OFF
ON - Turns lights ON
FLASH - Makes lights FLASH

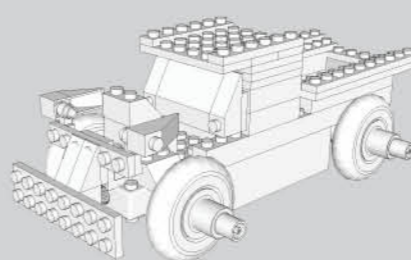
MODEL INSTRUCTIONS

All additional model instructions can be downloaded at www.LaserPegs.com

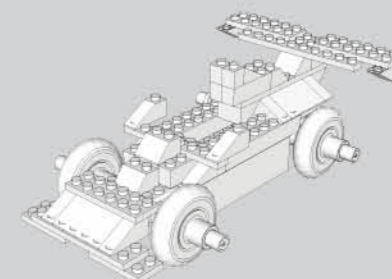
Laser Pegs® CARES
Questions? Comments?
For additional compliance info:
1-866-432-3735
Contact: Support@LaserPegs.com



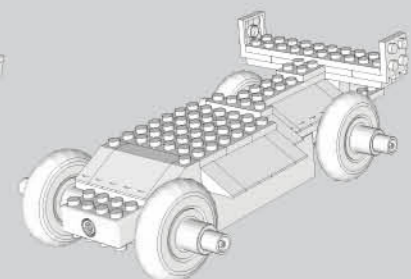
20's ROADSTER



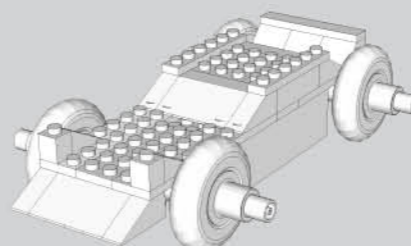
TRUCK HOT ROD



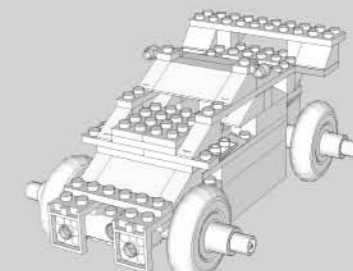
F-1 RACER



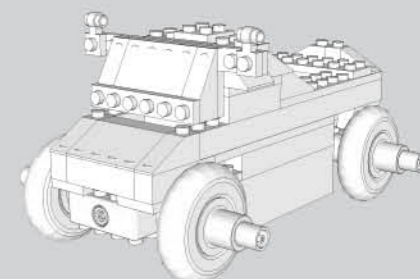
LAND SPEED RECORD



MODIFIED RACER



RALLY CAR
MADE IN CHINA



UTILITY TRUCK

Environmental Phenomena
* The unit may malfunction if subjected to radio-frequency interference. It SHOULD revert to normal operation when the interference stops. If not, it may become necessary to turn the power off and back on, or remove and reinstall the batteries. * In the unlikely event of an electrostatic discharge, the unit may malfunction and lose memory, requiring the user to reset the device by removing and reinstalling the batteries.

LASER PEGS®

The Ultimate Construction Toy For Kids®

PBI410B
POWER BLOCK
CAR SERIES
Ages 5+

8 Models+
Any creation you can build

LIGHTED
MOBILE POWER BLOCK™ SET
INCLUDES:

- 83 Tinted Bricks
 - 4 Tire Pegs
 - 2 Square M-M Pegs
 - 1 Mobile Power Block™
- Requires 3 AAA Batteries

Batteries NOT Included

WARNING: CHOKING HAZARD - Small parts. Not for children under 3 yrs. Do not submerge in water.

DO NOT SUBMERGE IN WATER

EN71, RoHS COMPLIANT

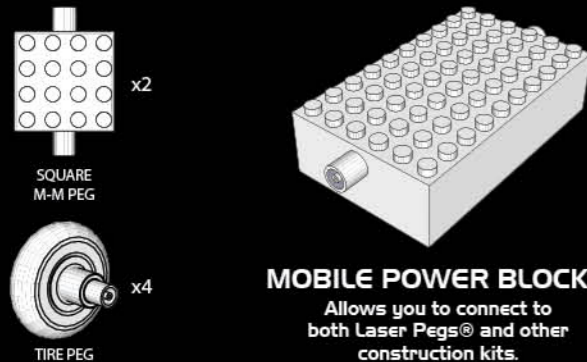


This product complies to all safety requirements of ASTM F 963

MODEL INSTRUCTIONS

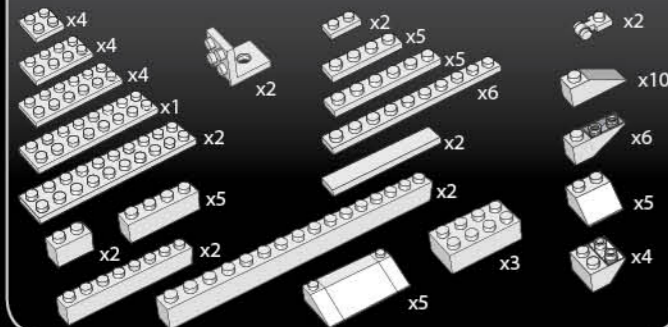
All additional model instructions can be downloaded at www.LaserPegs.com

Laser Pegs® Parts List



Color Code Each Laser Peg® is color coded on the circuit board inside each shape.

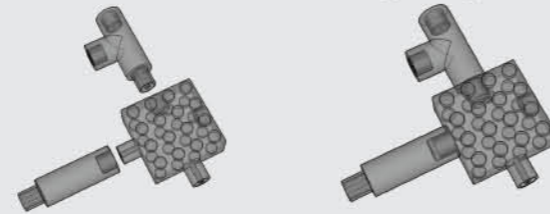
Tinted Bricks List



www.LaserPegs.com

This manual is copyright and cannot be reproduced or used online without Laser Pegs® Ventures LLC permission. Copyright 2014 © All Rights Reserved US Patent #7,731,558 Additional Global & Multiple Patents Pending. Laser Pegs® Ventures LLC, 8304 Consumer Ct., Sarasota FL 34240. Contact: Support@LaserPegs.com

Connecting Pegs



To construct with Laser Pegs®, slide two pieces together to form a connection. Slide each piece on and off smoothly.

POWER BLOCK

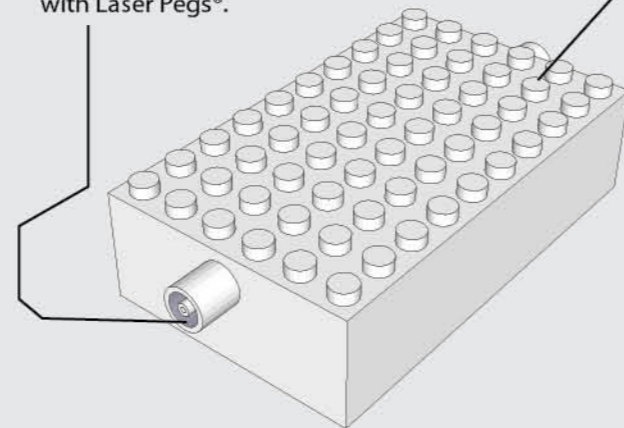
The Power Block is a Power Base that allows you to build with Laser Pegs® and construction parts to build models that light up. It is battery operated. (BATTERIES NOT INCLUDED.)

Laser Pegs® Connections

Allows you to construct with Laser Pegs®.

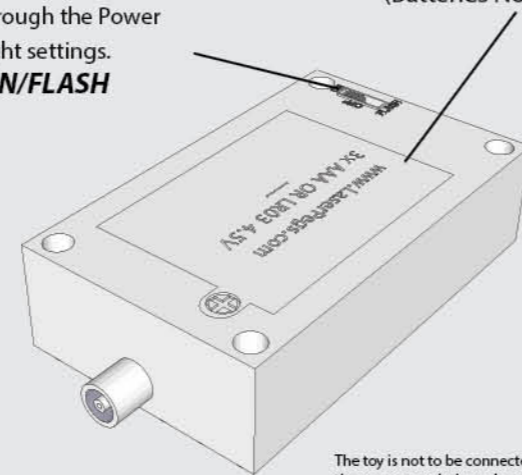
Construction Part Connections

Allows you to connect to other construction kits.



Power Switch

Move the Power Switch to cycle through the Power Block light settings. **OFF/ON/FLASH**

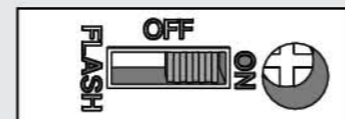


Battery Compartment

Requires 3-AAA Batteries (Batteries Not Included)

LIGHT SETTINGS

OFF - Turns lights OFF
ON - Turns lights ON
FLASH - Makes lights FLASH



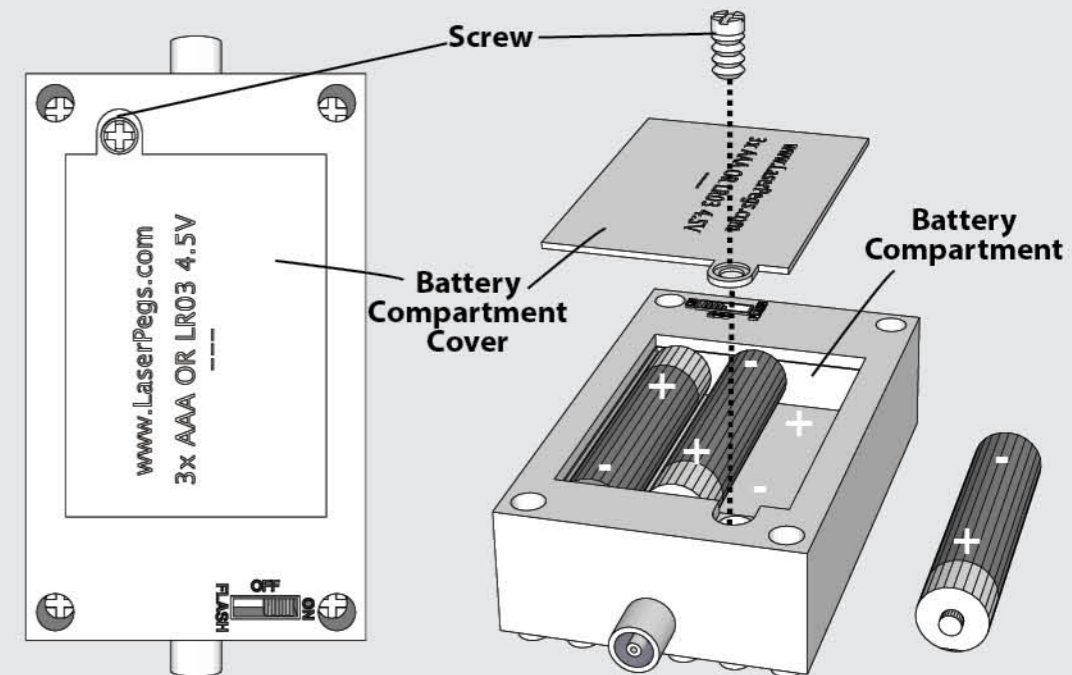
WARNING: STROBE LIGHTS MAY CAUSE SEIZURES

WARNING! Each Laser Peg® draws current from the batteries. Therefore, the more pegs you use, the quicker you will deplete your battery power! As the power weakens, the current will slowly fail and some Laser Pegs® will illuminate (typically the reds and yellows) and some won't. When the Laser Pegs® dim, the Laser Pegs® are not broken, they just need stronger batteries. You have 2 simple options...
1. Change the batteries.
2. Use high quality batteries. They will last a little longer, but they will still deplete rapidly the more Laser Pegs® you connect!

Replacing Batteries

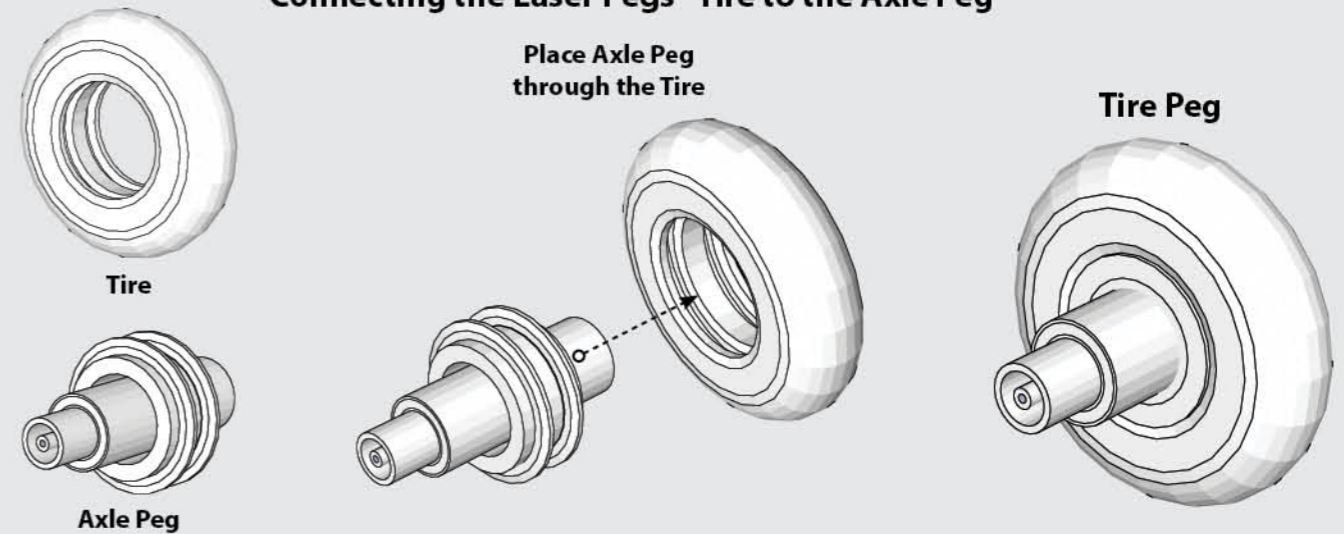
1. Remove Screw.
2. Lift off Battery Compartment Cover.
3. Place three (3) AAA batteries in the correct position - as displayed inside of the Power Block.
4. Replace Battery Compartment Cover and Screw.
5. Slide Power Switch setting to OFF/ON/FLASH.
6. Do not mix old and new batteries.
7. Do not mix alkaline, standard (carbon-zinc), or rechargeable (nickel-cadmium, NiMH) batteries!
8. Exhausted batteries are to be removed from the power base.
9. Never connect more than 30 Laser Pegs® at one time!
10. Non-rechargeable batteries are not to be recharged.
11. Rechargeable batteries are only to be recharged under adult supervision.
12. Rechargeable batteries are to be removed from the toy before being recharged.
13. Batteries are to be inserted with the correct polarity.
14. The supply terminals are not to be short-circuited.
15. DO NOT THROW BATTERIES INTO FIRE!

Remove the Phillips head screw with a 4mm screw driver. **Requires 3-AAA Batteries**
Batteries NOT Included



Requires 3-AAA Batteries

Connecting the Laser Pegs® Tire to the Axle Peg

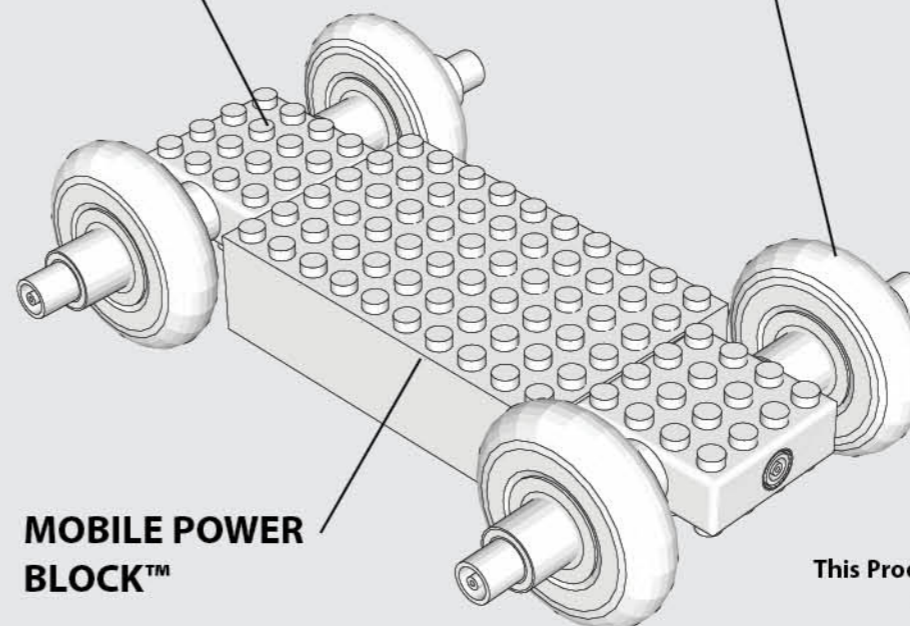


POWER BLOCK™

Use the Laser Pegs® Square M-M Peg to attach the Tire Pegs to the Power Block™.

Laser Pegs® Square M-M Peg

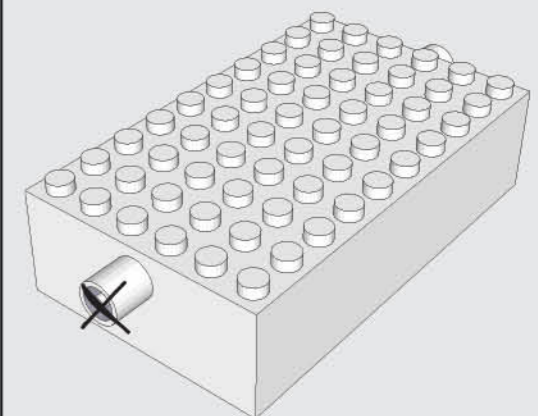
Tire Peg



MOBILE POWER BLOCK™

AVOID DAMAGE TO PEG HOLES

*To avoid short-circuits, keep metal objects and other unauthorized materials from obstructing the peg holes.



Never connect more than 30 Laser Pegs® to the Power Block at one time.

This Product contains a button battery. If swallowed, it could cause severe injury or death in just 2 hours. Seek medical attention immediately.

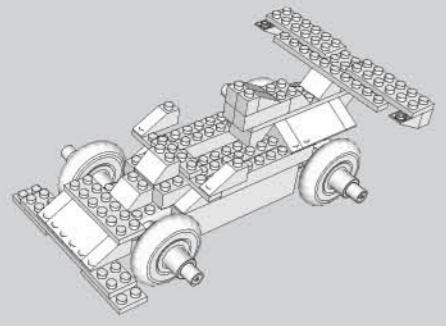
F - 1 RACER: The primitive cars at the first Grand Prix, took over an hour to complete one lap.



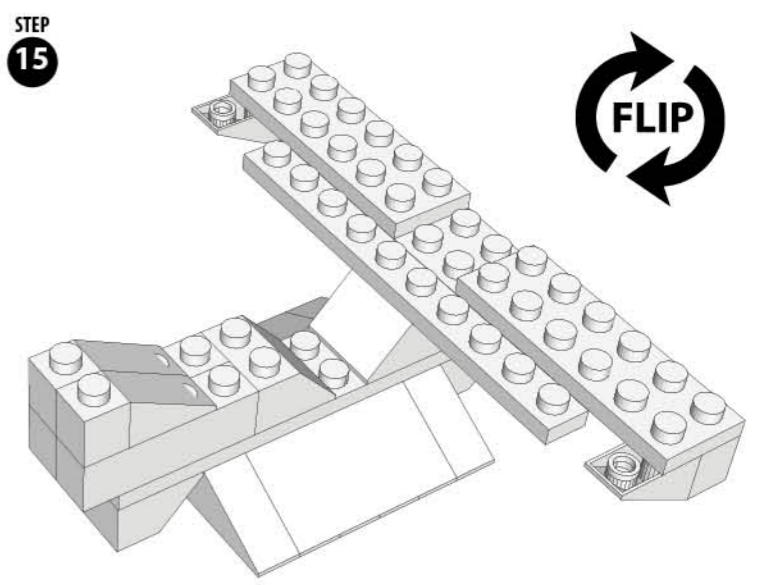
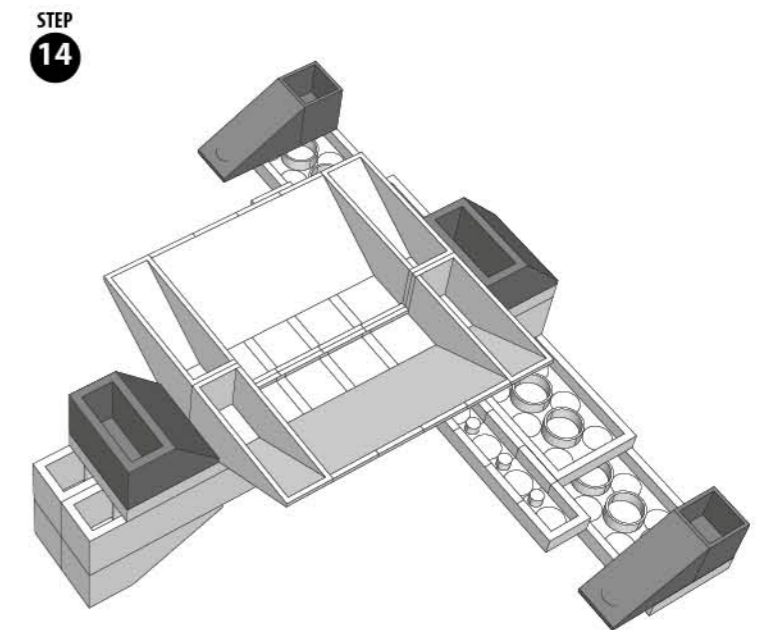
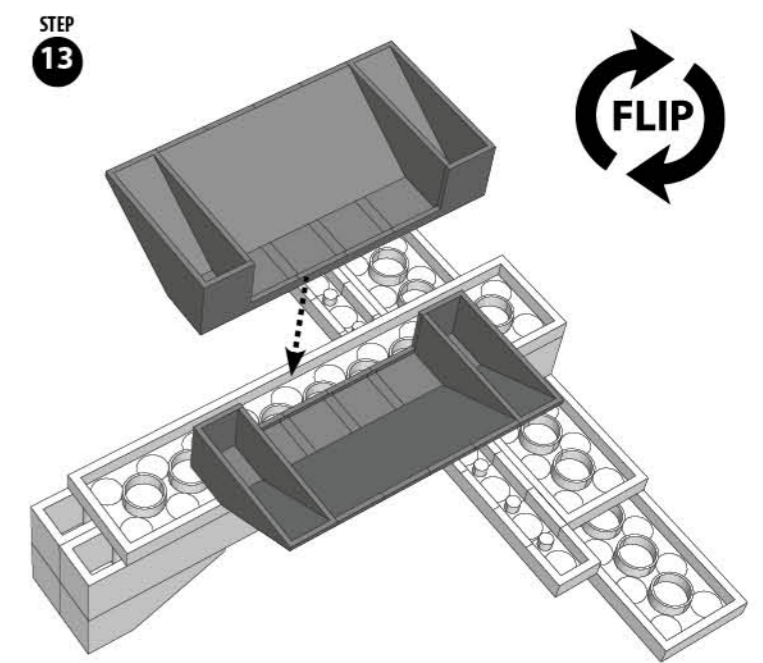
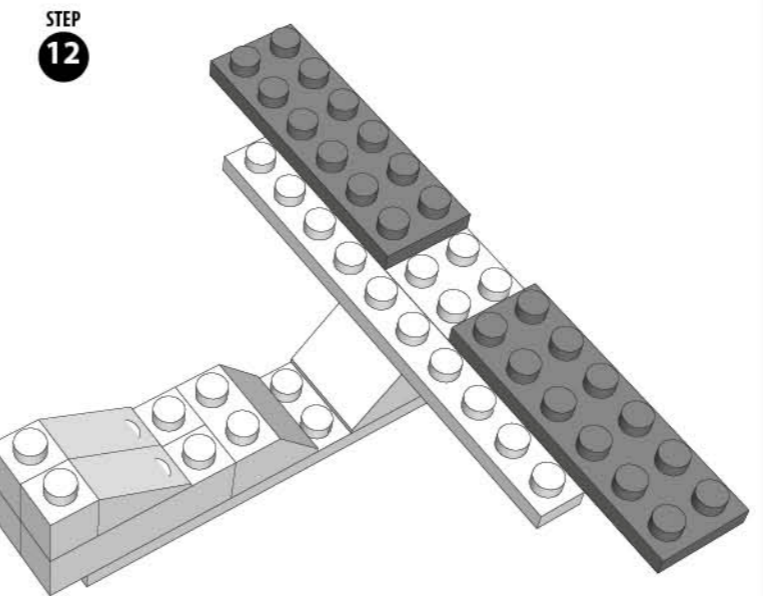
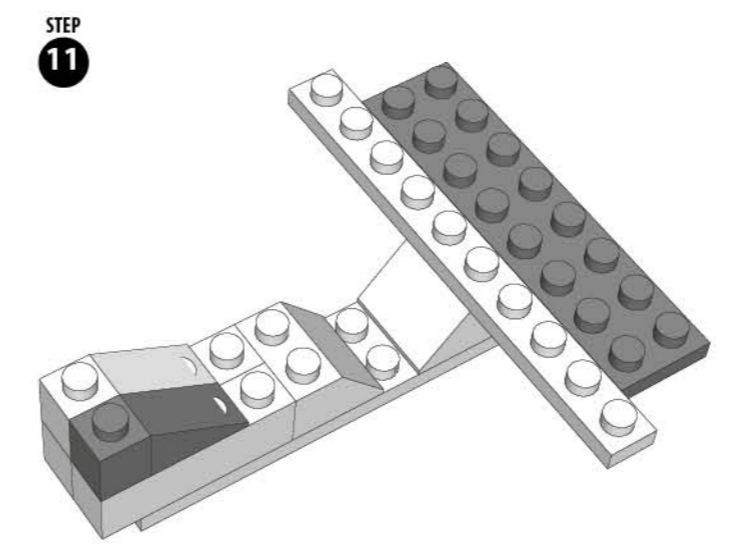
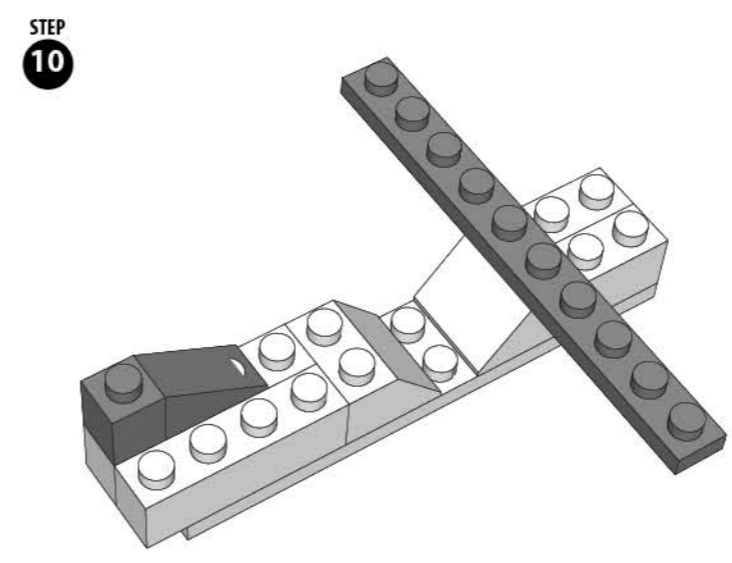
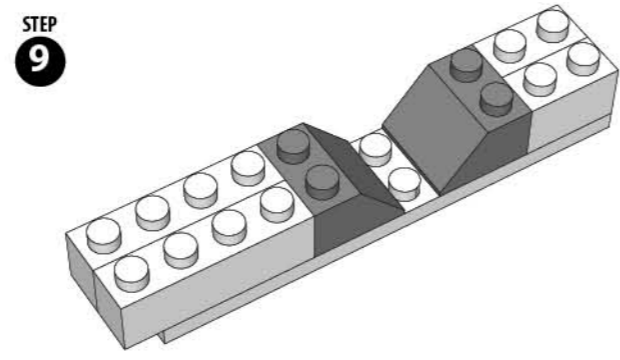
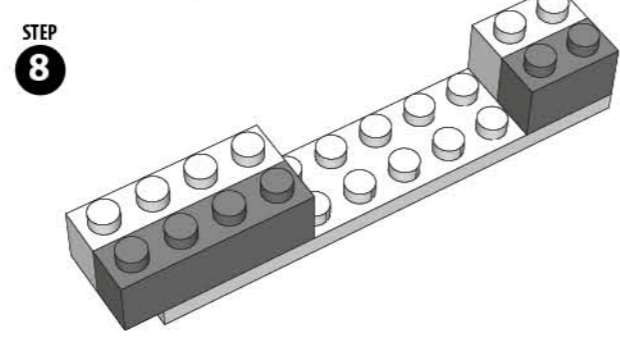
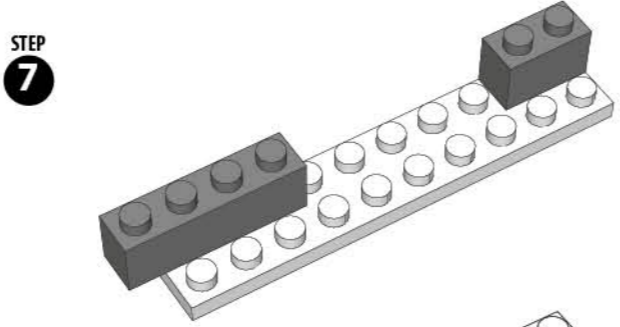
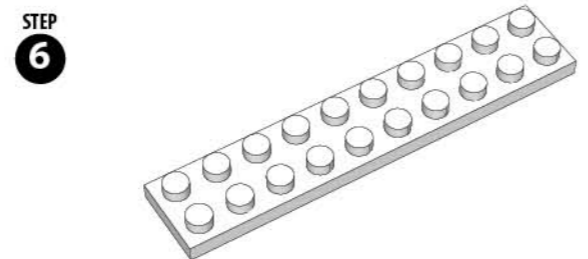
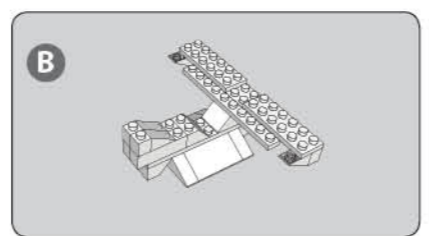
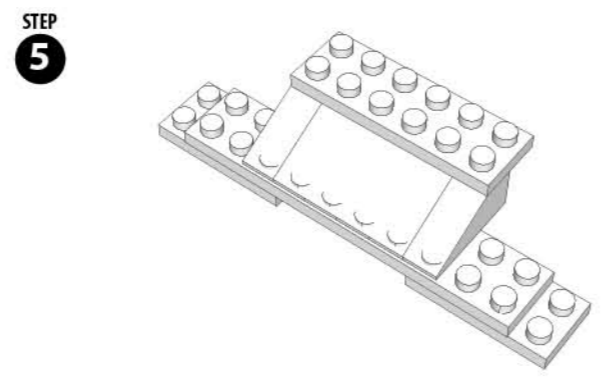
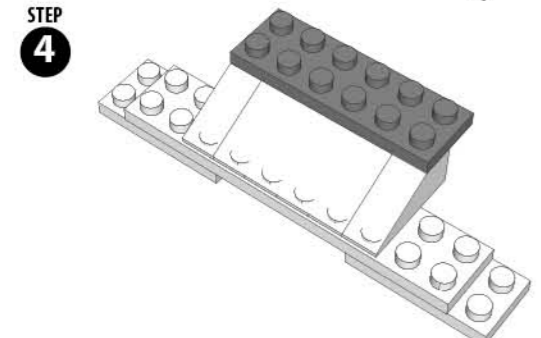
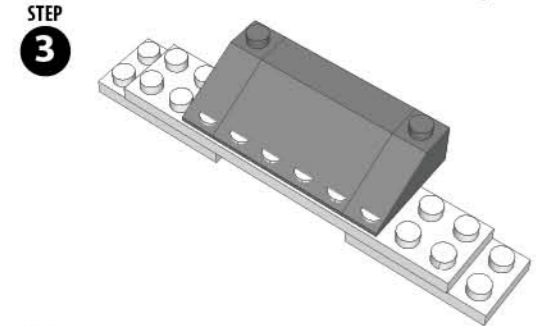
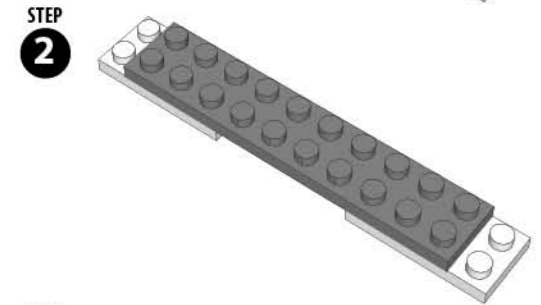
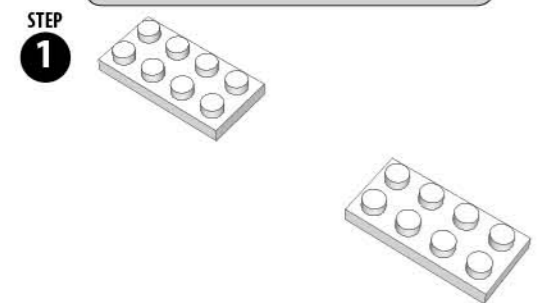
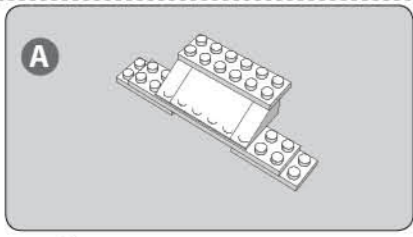
F-1 RACER

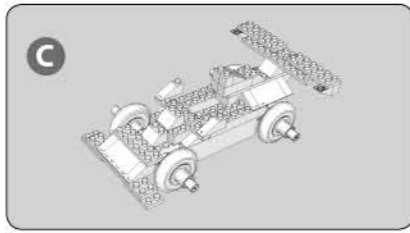
Model
Difficulty
Level

2

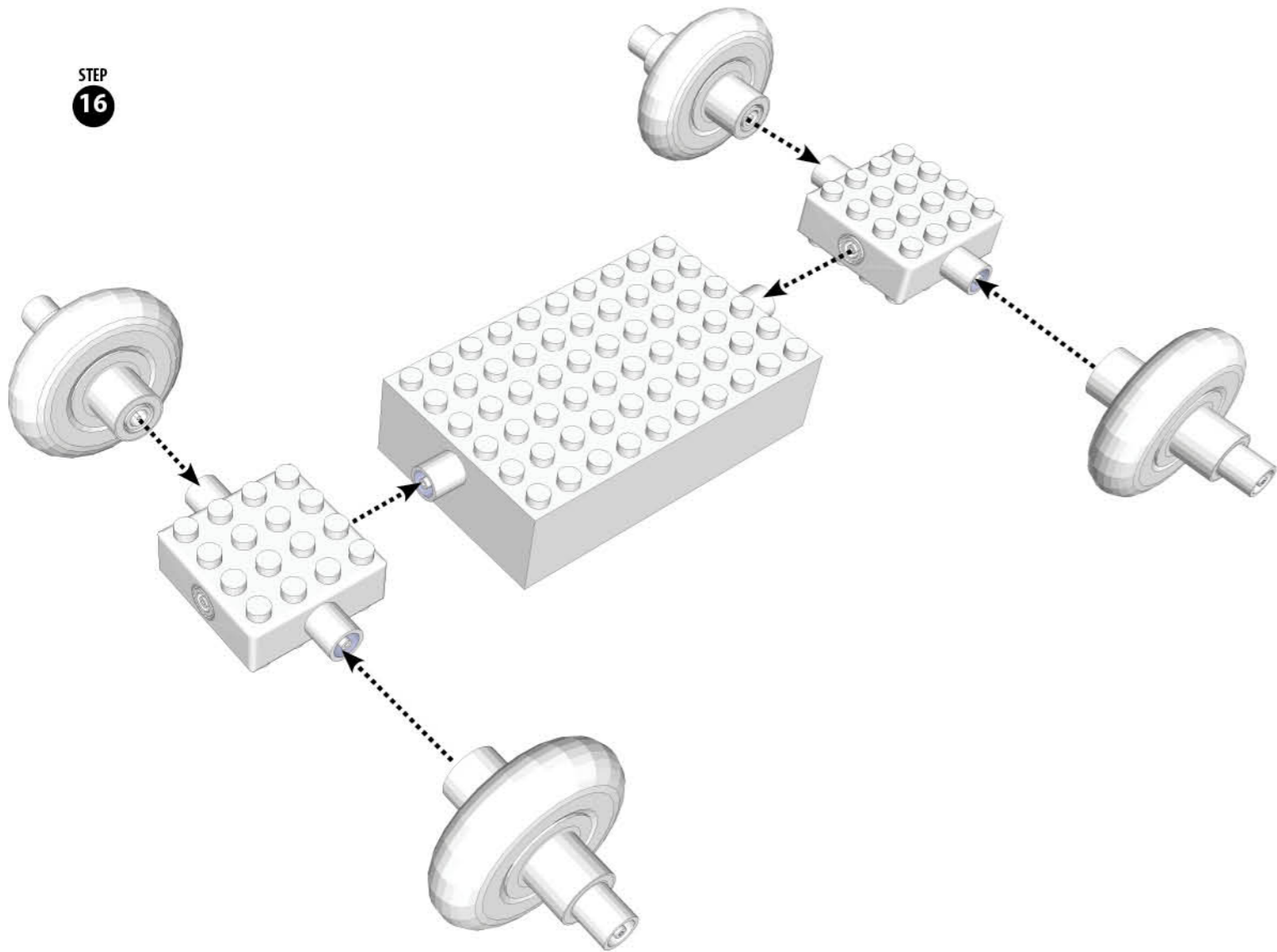


The TRY-ME mechanism is for display purposes ONLY and should be discarded as per state and local regulations. It is NOT intended to be used for the building of this model.

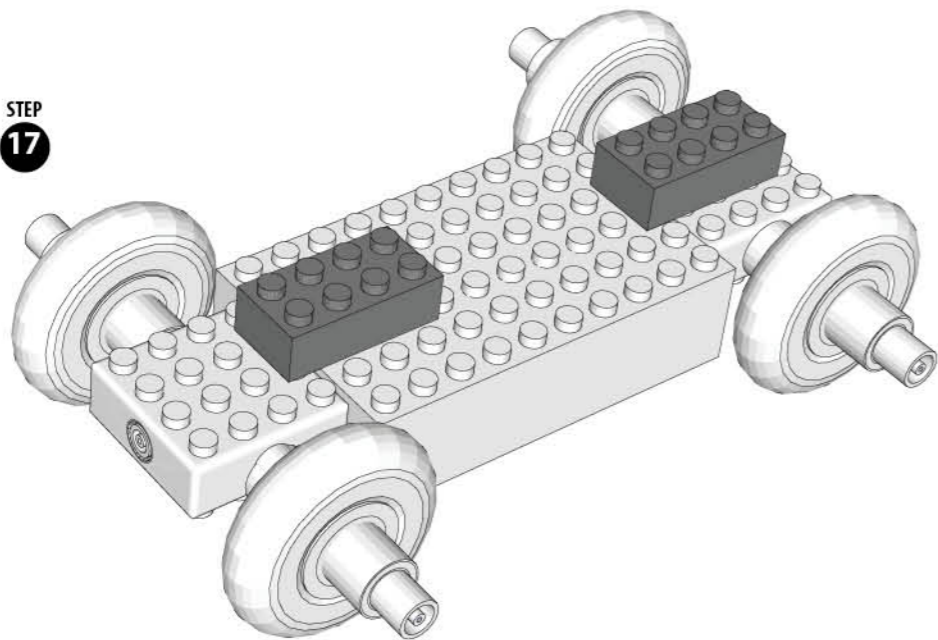




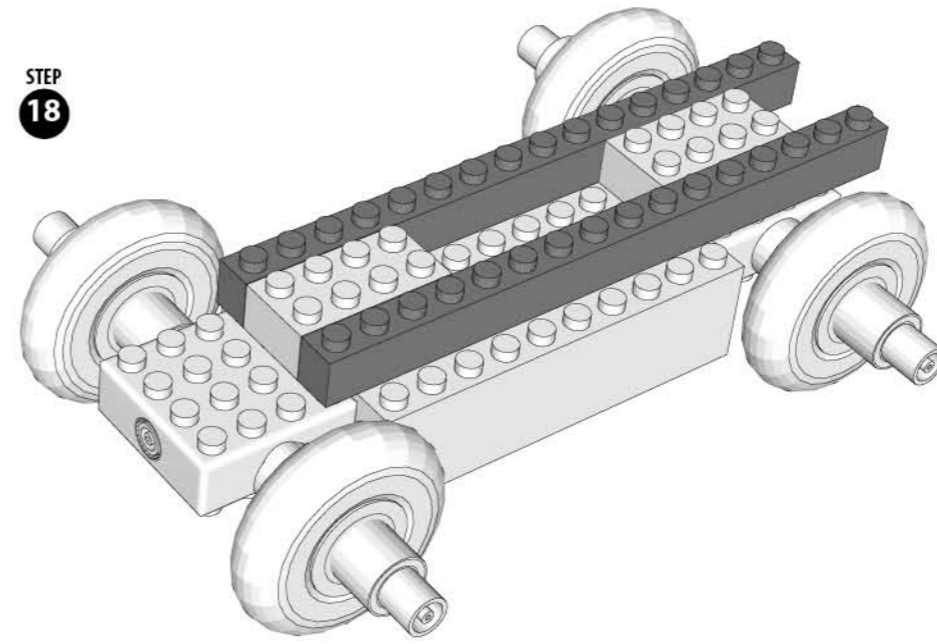
STEP
16



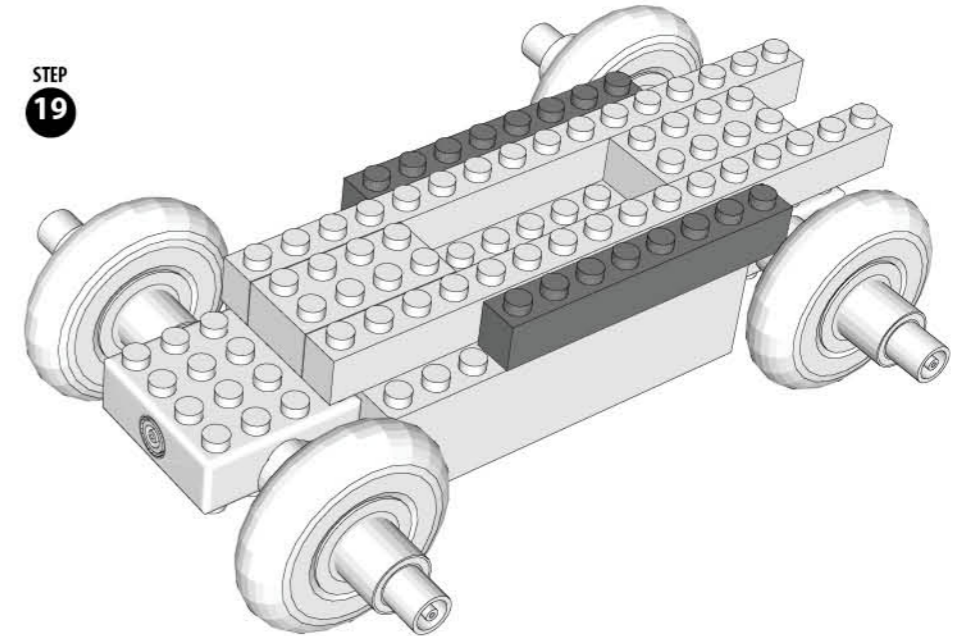
STEP
17



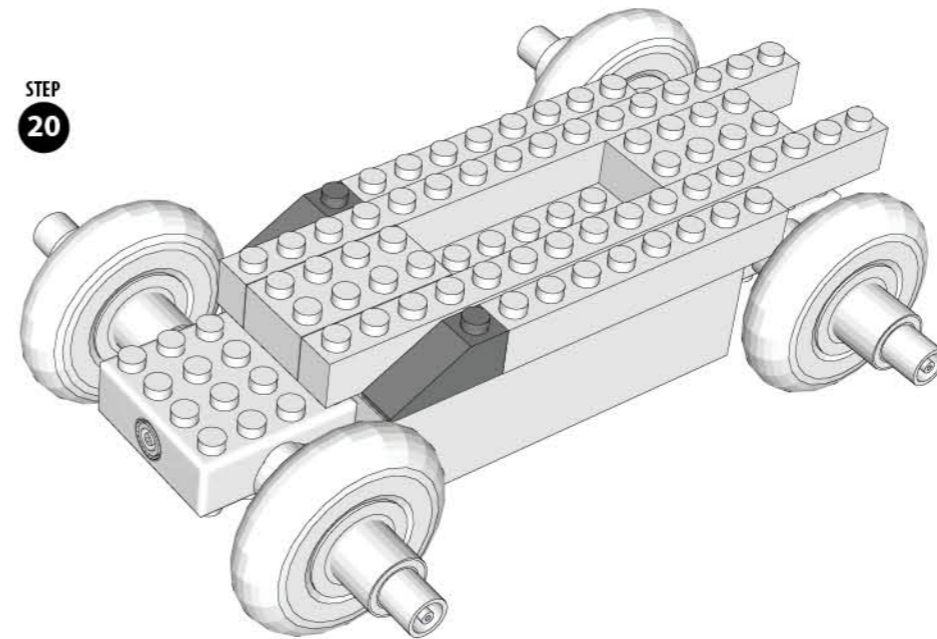
STEP
18



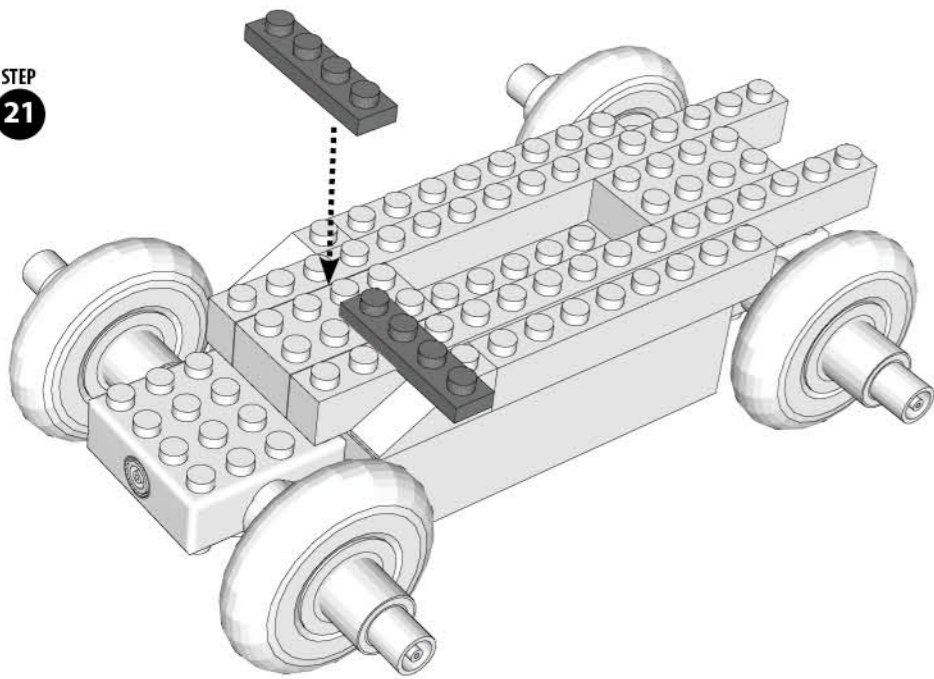
STEP
19



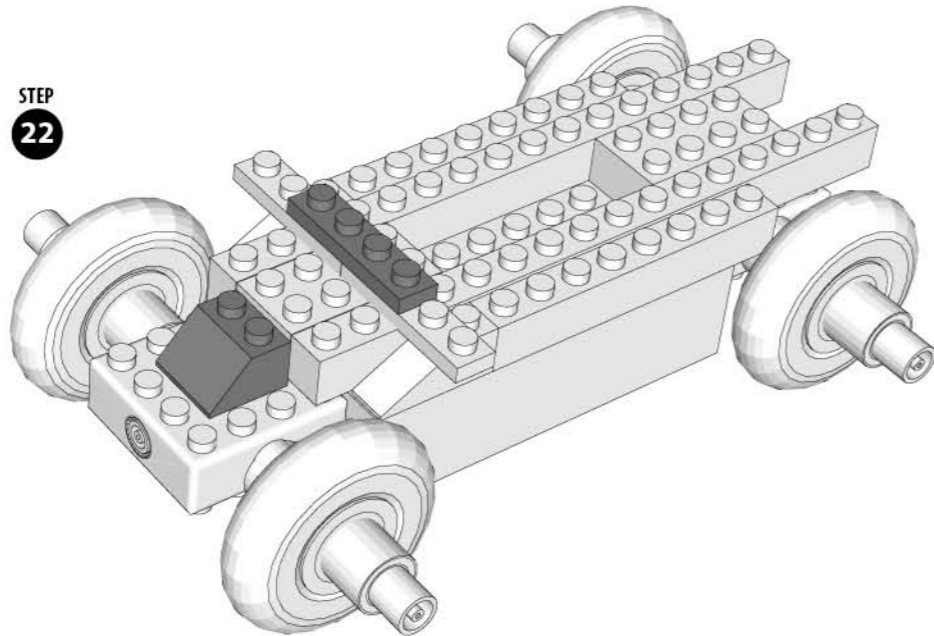
STEP
20



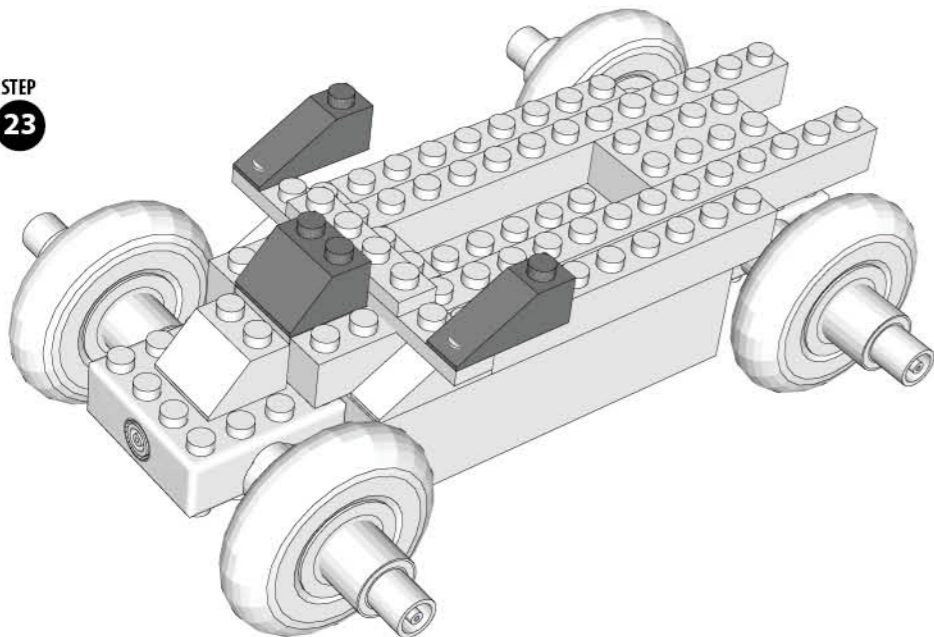
STEP
21



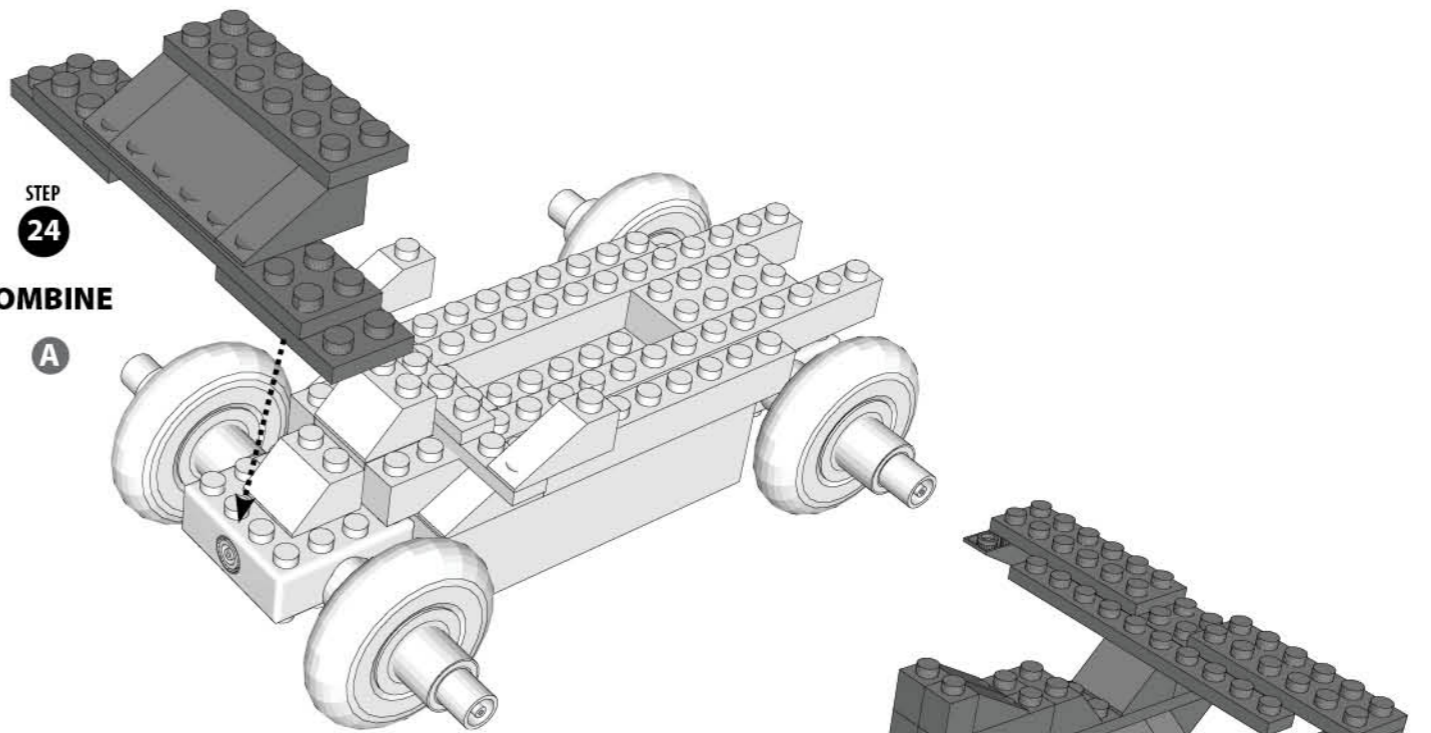
STEP
22



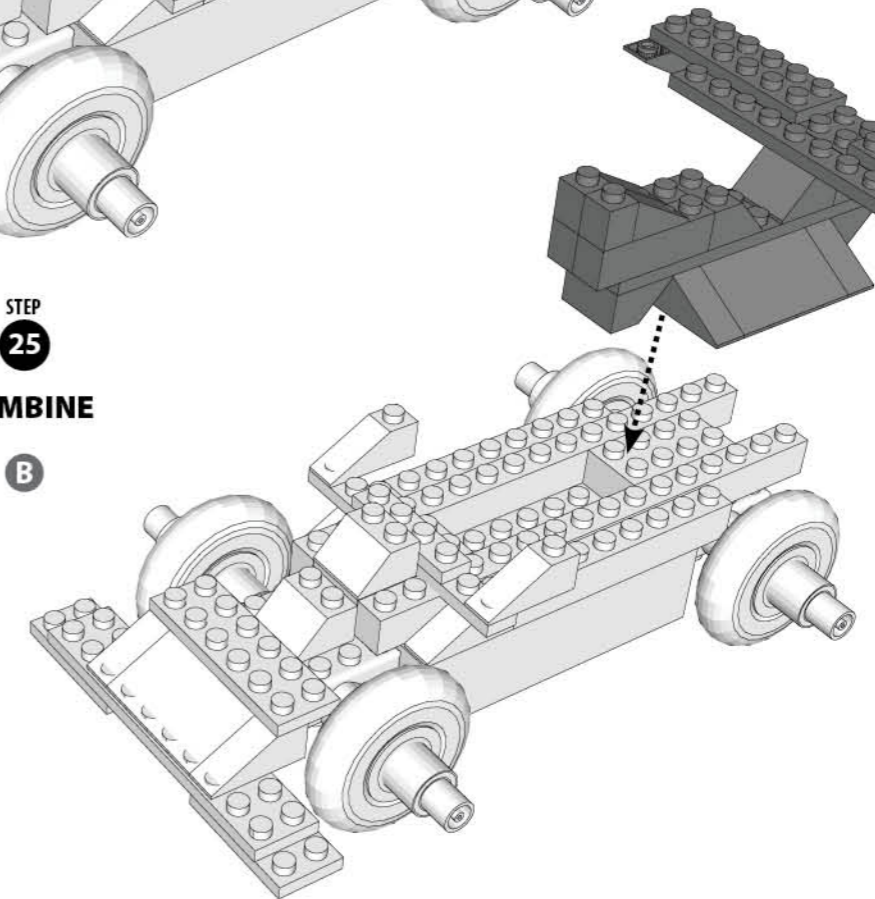
STEP
23



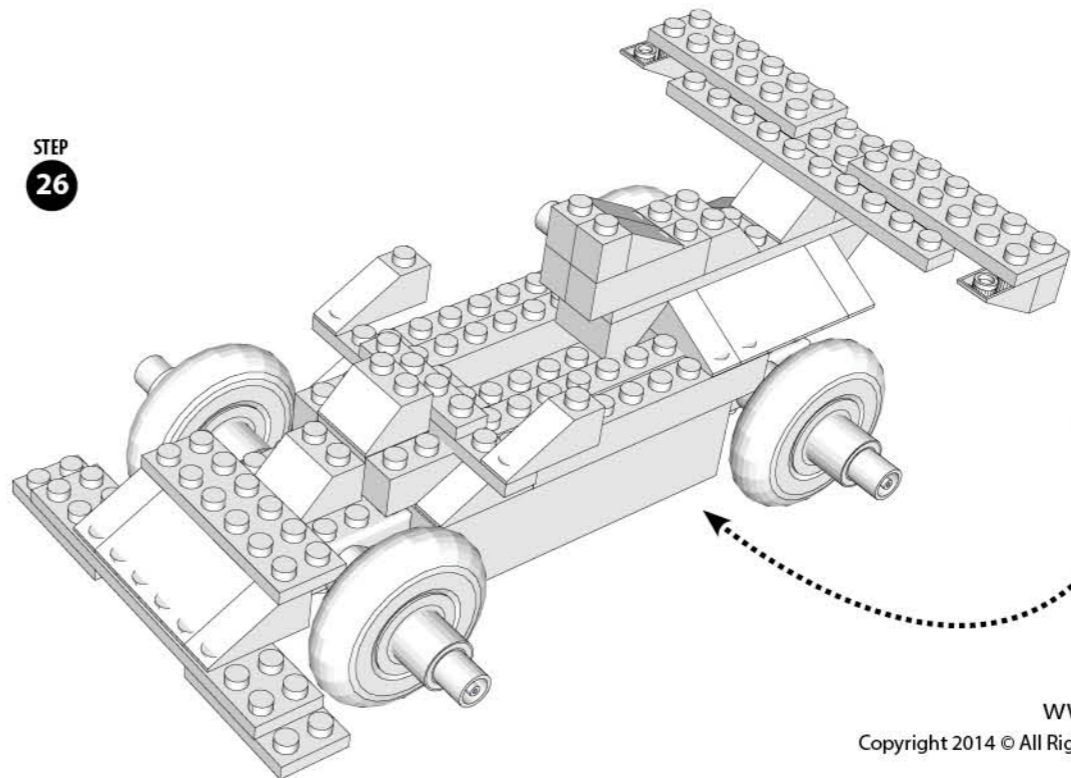
STEP
24
COMBINE



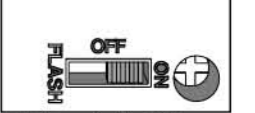
STEP
25
COMBINE



STEP
26



Slide the switch to Light It Up!



OFF - Turns lights OFF
ON - Turns lights ON
FLASH - Makes lights FLASH

LASER PEGS®

The Ultimate Construction Toy For Kids®

PBI410B
POWER BLOCK
CAR SERIES

Ages 5+

8 Models+
Any creation you can build

LIGHTED
MOBILE POWER BLOCK™ SET
INCLUDES:

- 83 Tinted Bricks
 - 4 Tire Pegs
 - 2 Square M-M Pegs
 - 1 Mobile Power Block™
- Requires 3 AAA Batteries

Batteries NOT Included

WARNING: CHOKING HAZARD - Small parts. Not for children under 3 yrs. Do not submerge in water.

DO NOT SUBMERGE IN WATER

EN71, RoHS COMPLIANT

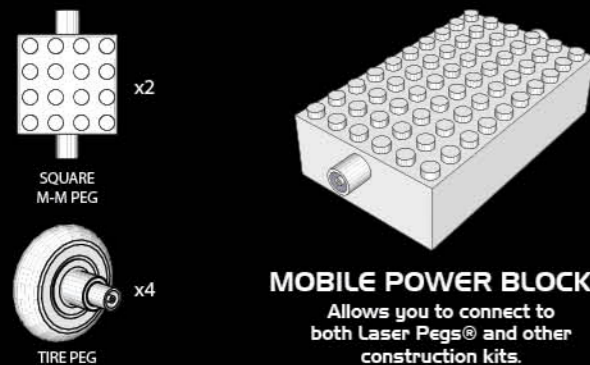


This product complies to all safety requirements of ASTM F 963

MODEL INSTRUCTIONS

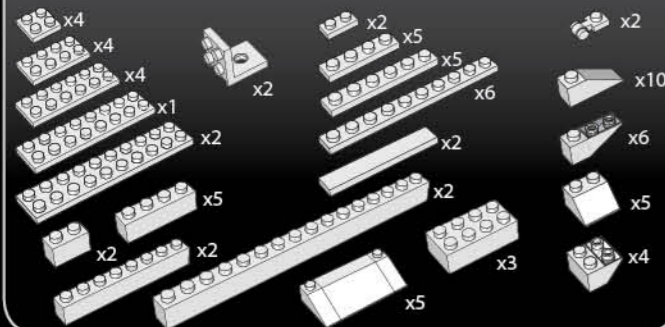
All additional model instructions can be downloaded at www.LaserPegs.com

Laser Pegs® Parts List



Color Code Each Laser Peg® is color coded on the circuit board inside each shape.

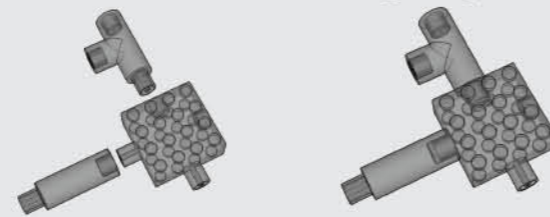
Tinted Bricks List



www.LaserPegs.com

This manual is copyright and cannot be reproduced or used online without Laser Pegs® Ventures LLC permission. Copyright 2014 © All Rights Reserved US Patent #7,731,558 Additional Global & Multiple Patents Pending. Laser Pegs® Ventures LLC, 8304 Consumer Ct., Sarasota FL 34240. Contact: Support@LaserPegs.com

Connecting Pegs



To construct with Laser Pegs®, slide two pieces together to form a connection. Slide each piece on and off smoothly.

POWER BLOCK

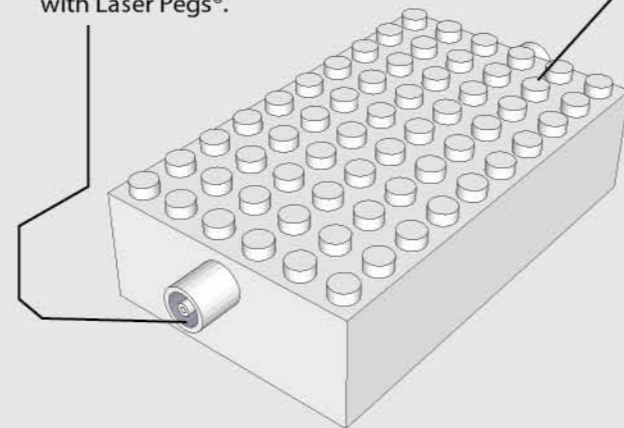
The Power Block is a Power Base that allows you to build with Laser Pegs® and construction parts to build models that light up. It is battery operated. (BATTERIES NOT INCLUDED.)

Laser Pegs® Connections

Allows you to construct with Laser Pegs®.

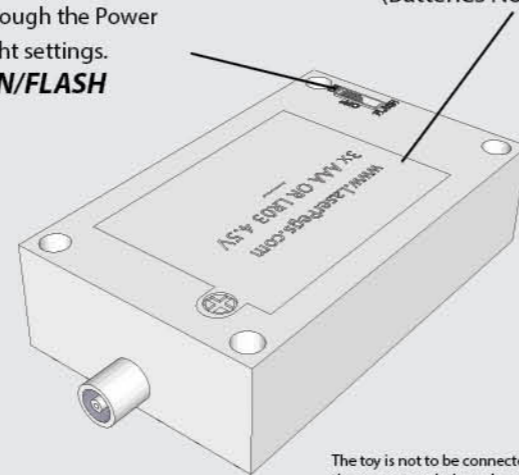
Construction Part Connections

Allows you to connect to other construction kits.



Power Switch

Move the Power Switch to cycle through the Power Block light settings.
OFF/ON/FLASH

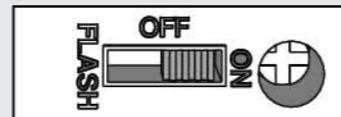


Battery Compartment

Requires 3-AAA Batteries (Batteries Not Included)

LIGHT SETTINGS

OFF - Turns lights OFF
ON - Turns lights ON
FLASH - Makes lights FLASH



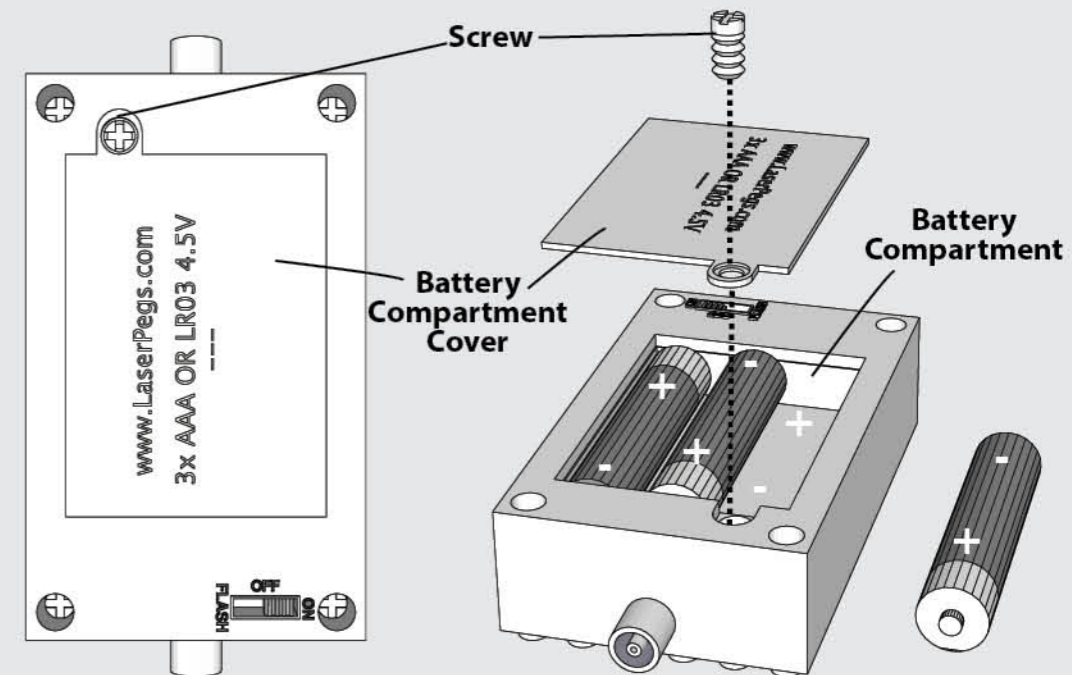
WARNING: STROBE LIGHTS MAY CAUSE SEIZURES

WARNING! Each Laser Peg® draws current from the batteries. Therefore, the more pegs you use, the quicker you will deplete your battery power! As the power weakens, the current will slowly fail and some Laser Pegs® will illuminate (typically the reds and yellows) and some won't. When the Laser Pegs® dim, the Laser Pegs® are not broken, they just need stronger batteries. You have 2 simple options...
1. Change the batteries.
2. Use high quality batteries. They will last a little longer, but they will still deplete rapidly the more Laser Pegs® you connect!

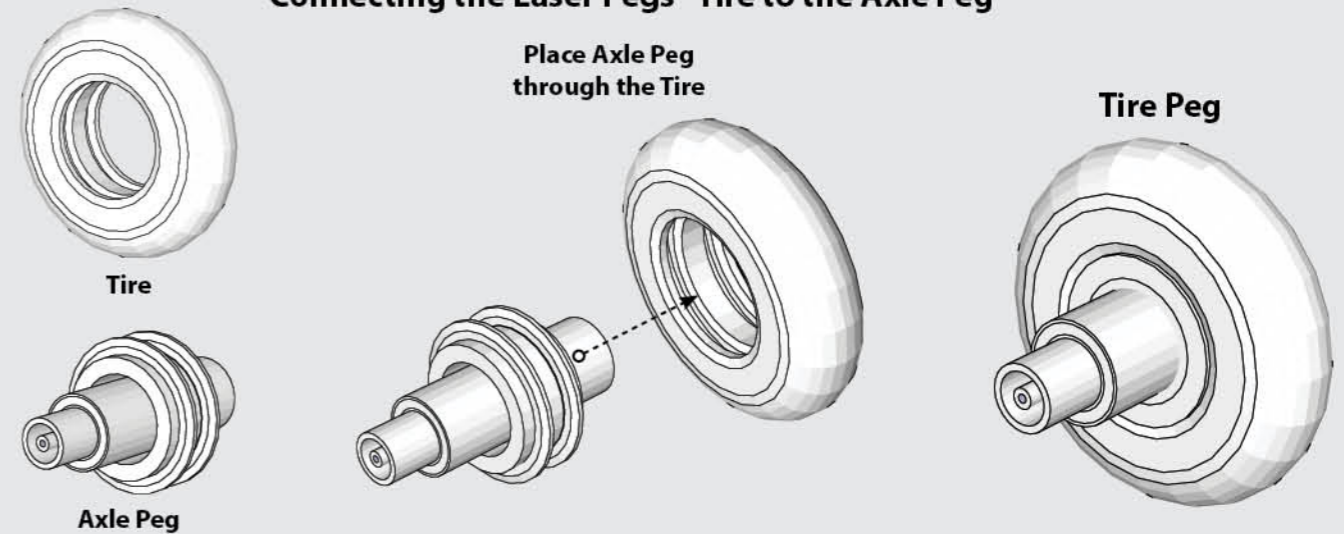
Replacing Batteries

1. Remove Screw.
2. Lift off Battery Compartment Cover.
3. Place three (3) AAA batteries in the correct position - as displayed inside of the Power Block.
4. Replace Battery Compartment Cover and Screw.
5. Slide Power Switch setting to OFF/ON/FLASH.
6. Do not mix old and new batteries.
7. Do not mix alkaline, standard (carbon-zinc), or rechargeable (nickel-cadmium, NiMH) batteries!
8. Exhausted batteries are to be removed from the power base.
9. Never connect more than 30 Laser Pegs® at one time!
10. Non-rechargeable batteries are not to be recharged.
11. Rechargeable batteries are only to be recharged under adult supervision.
12. Rechargeable batteries are to be removed from the toy before being recharged.
13. Batteries are to be inserted with the correct polarity.
14. The supply terminals are not to be short-circuited.
15. DO NOT THROW BATTERIES INTO FIRE!

Remove the Phillips head screw with a 4mm screw driver.
Requires 3-AAA Batteries
Batteries NOT Included



Connecting the Laser Pegs® Tire to the Axle Peg

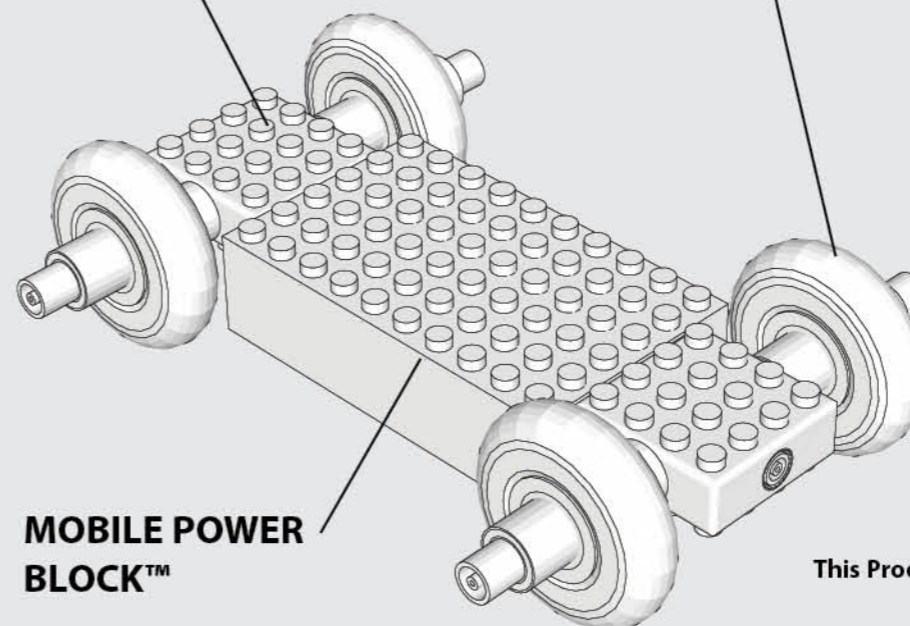


POWER BLOCK™

Use the Laser Pegs® Square M-M Peg to attach the Tire Pegs to the Power Block™.

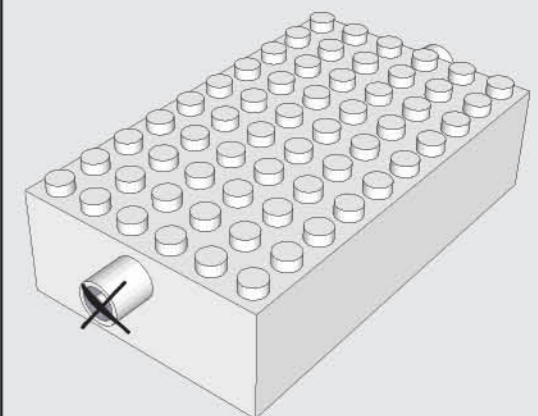
Laser Pegs® Square M-M Peg

Tire Peg



AVOID DAMAGE TO PEG HOLES

*To avoid short-circuits, keep metal objects and other unauthorized materials from obstructing the peg holes.



Never connect more than 30 Laser Pegs® to the Power Block at one time.

This Product contains a button battery. If swallowed, it could cause severe injury or death in just 2 hours. Seek medical attention immediately.

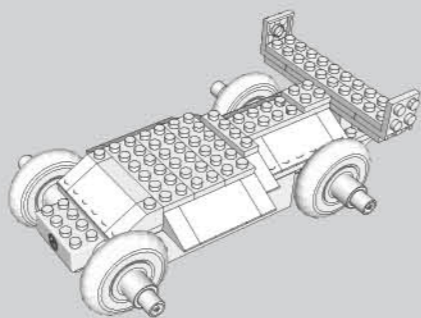
LAND SPEED RECORD: At 763 mph, the current land speed record is also the first supersonic record.



LAND SPEED RECORD

Model
Difficulty
Level

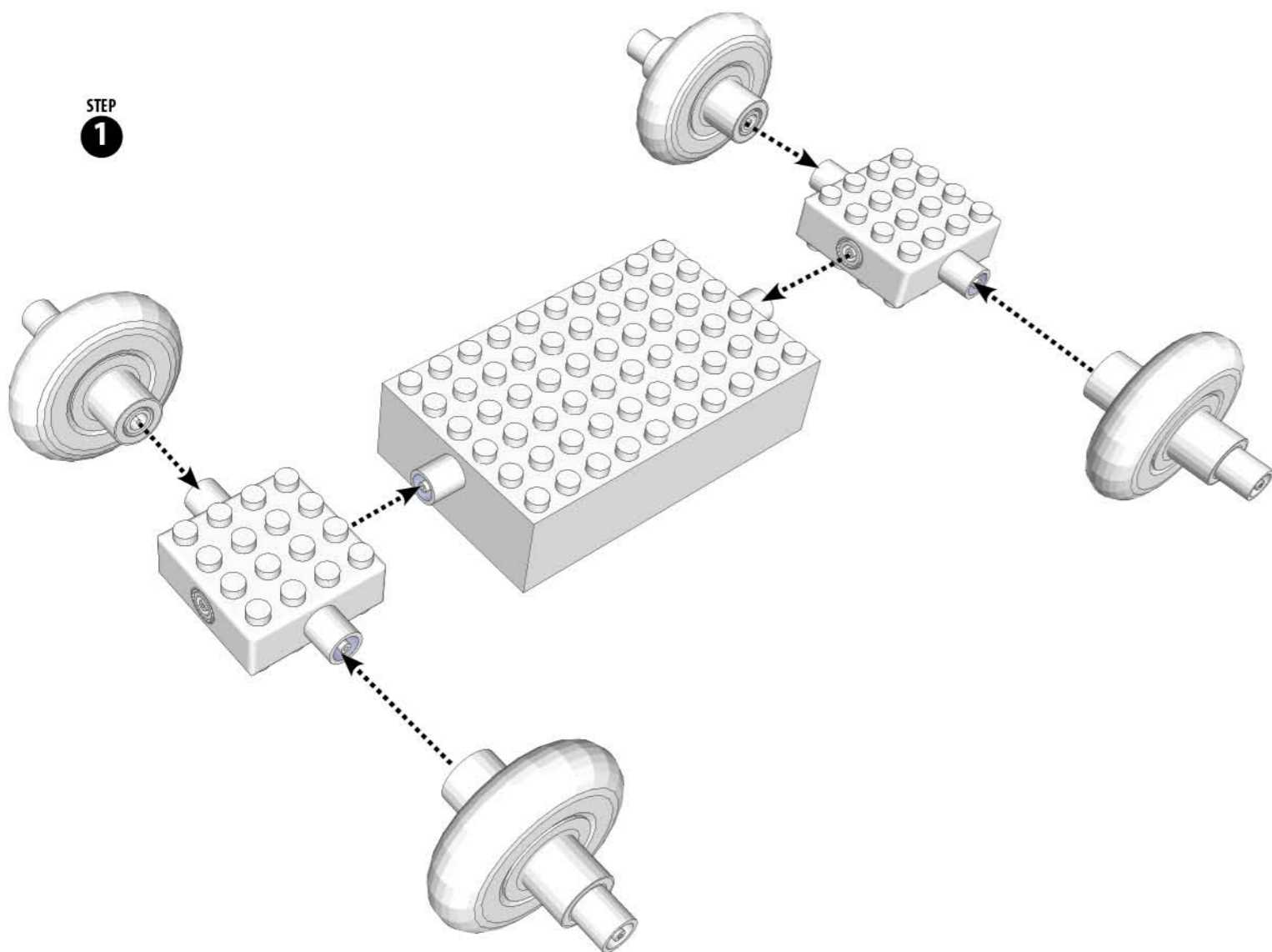
3



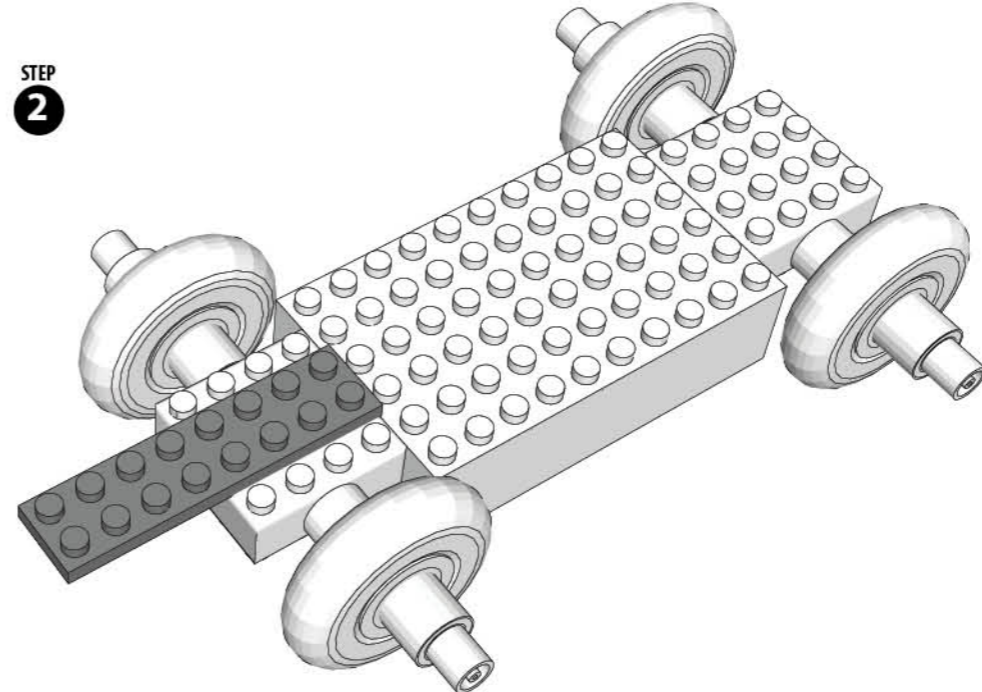
The TRY-ME mechanism is for display purposes ONLY and should be discarded as per state and local regulations. It is NOT intended to be used for the building of this model.



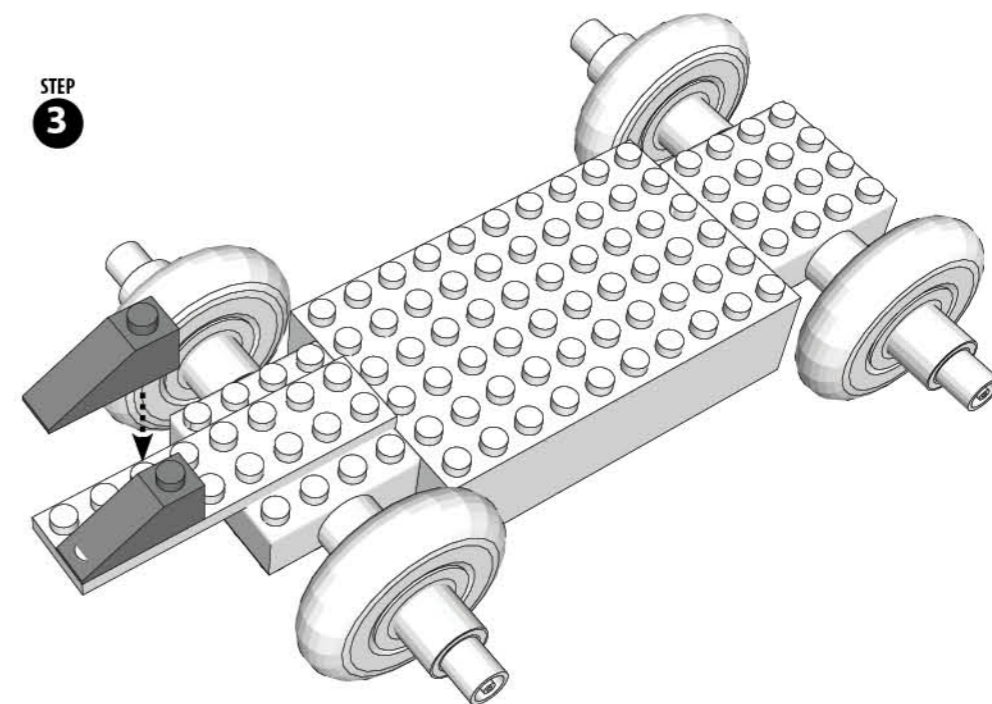
STEP 1



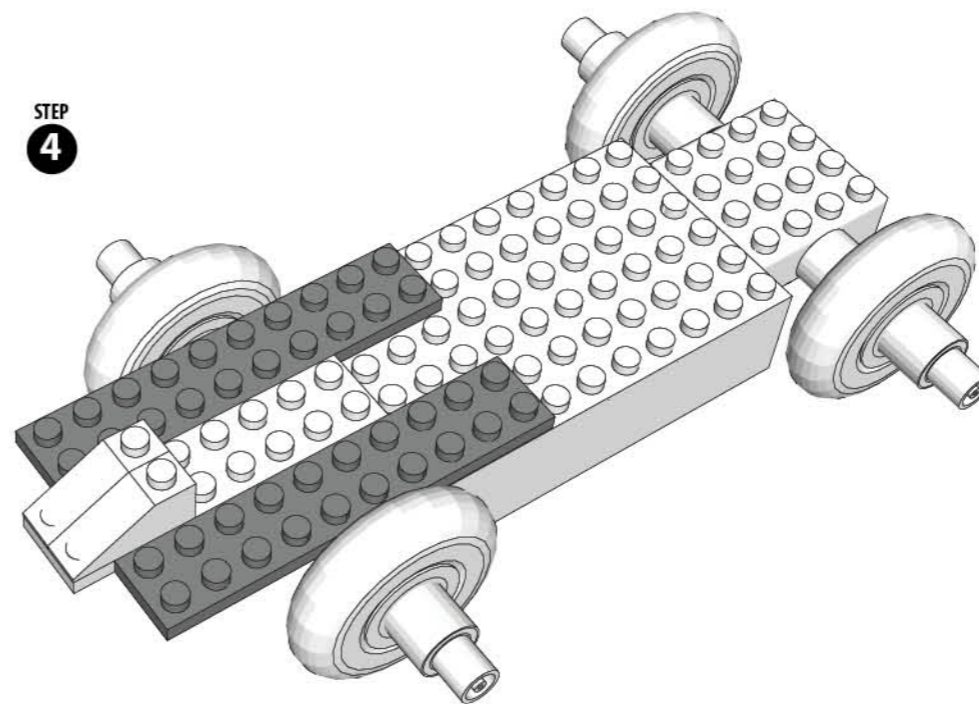
STEP 2

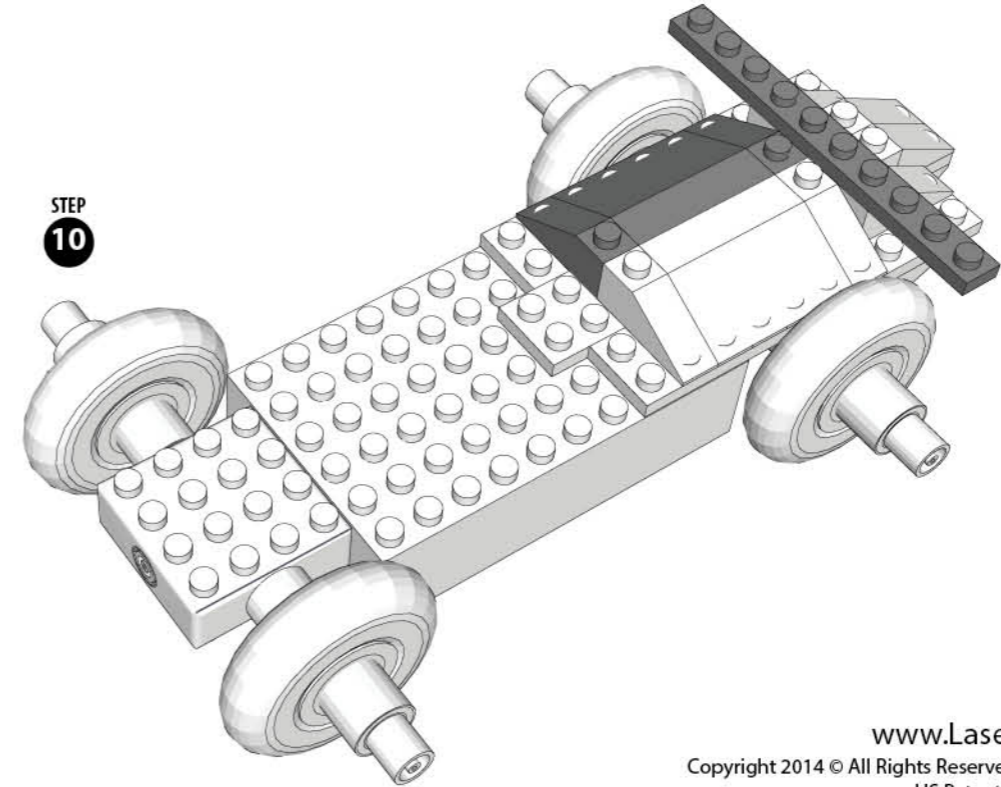
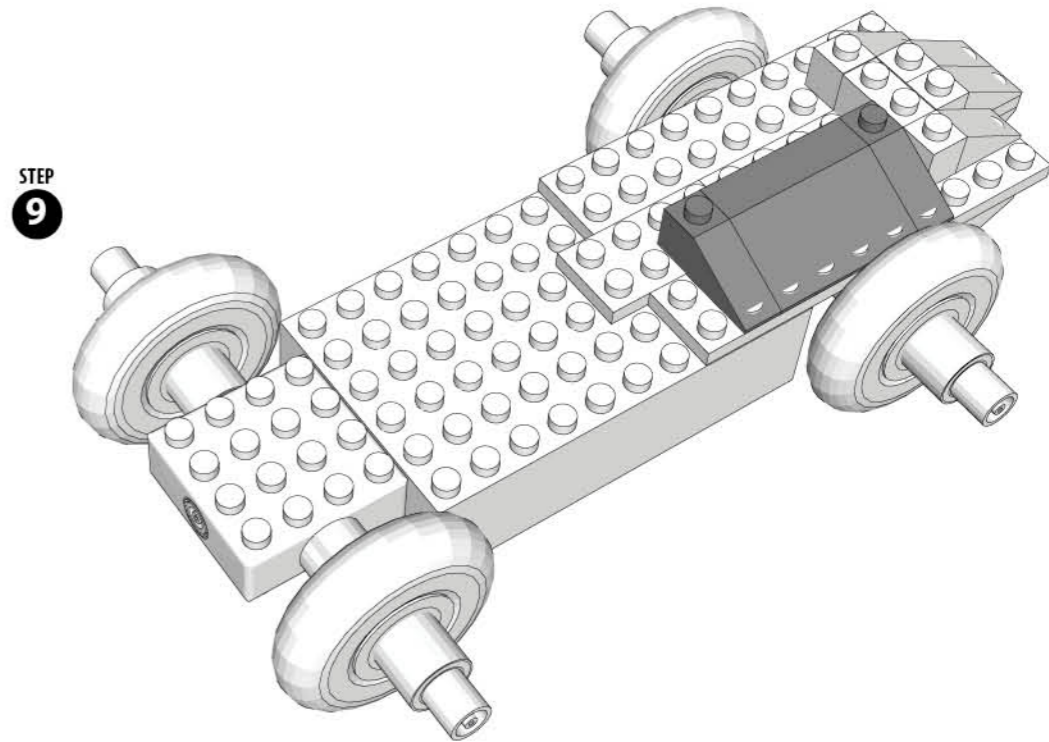
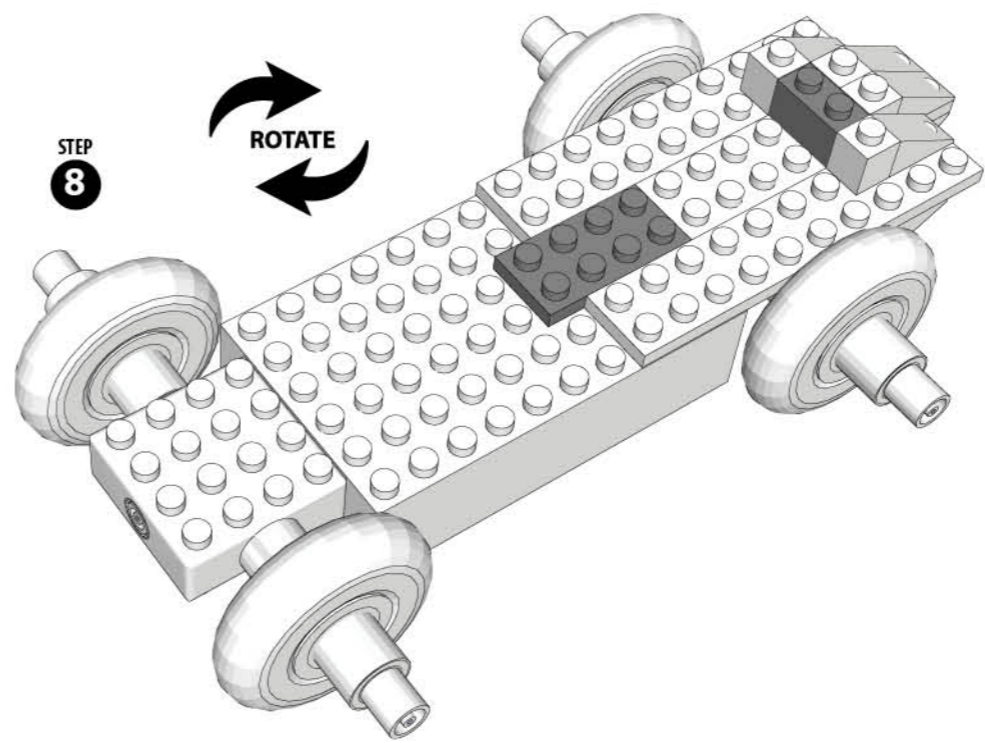
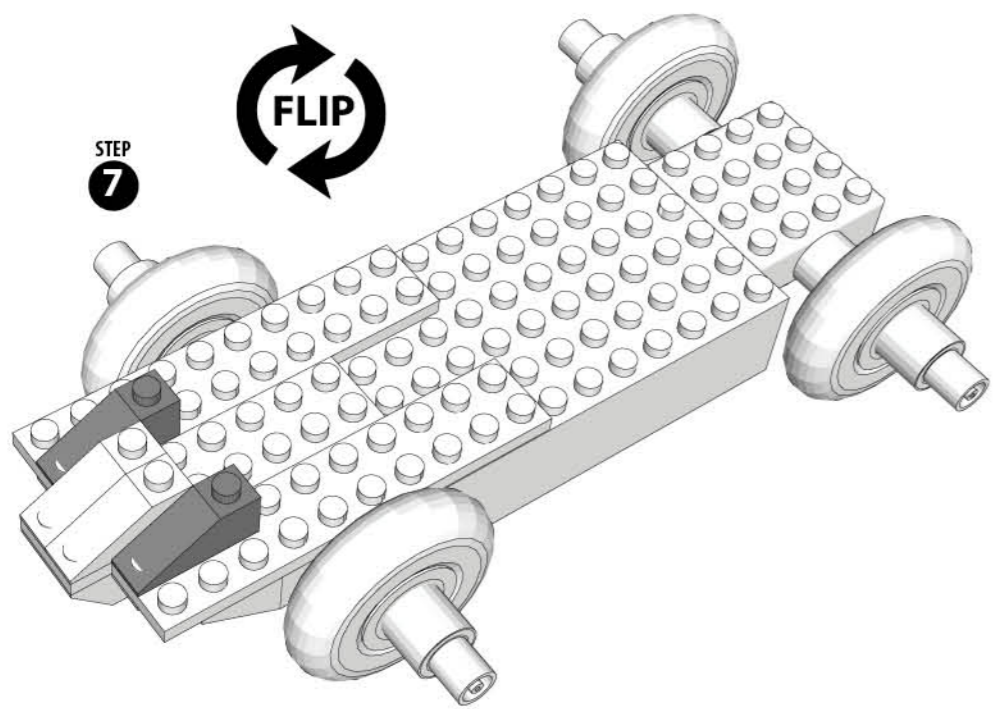
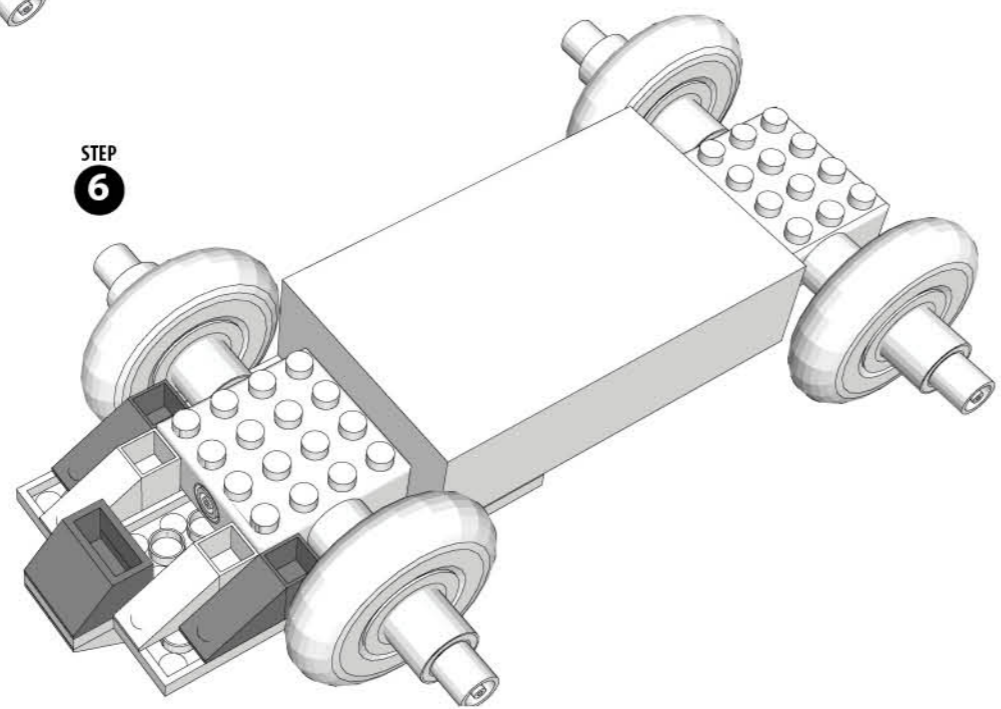
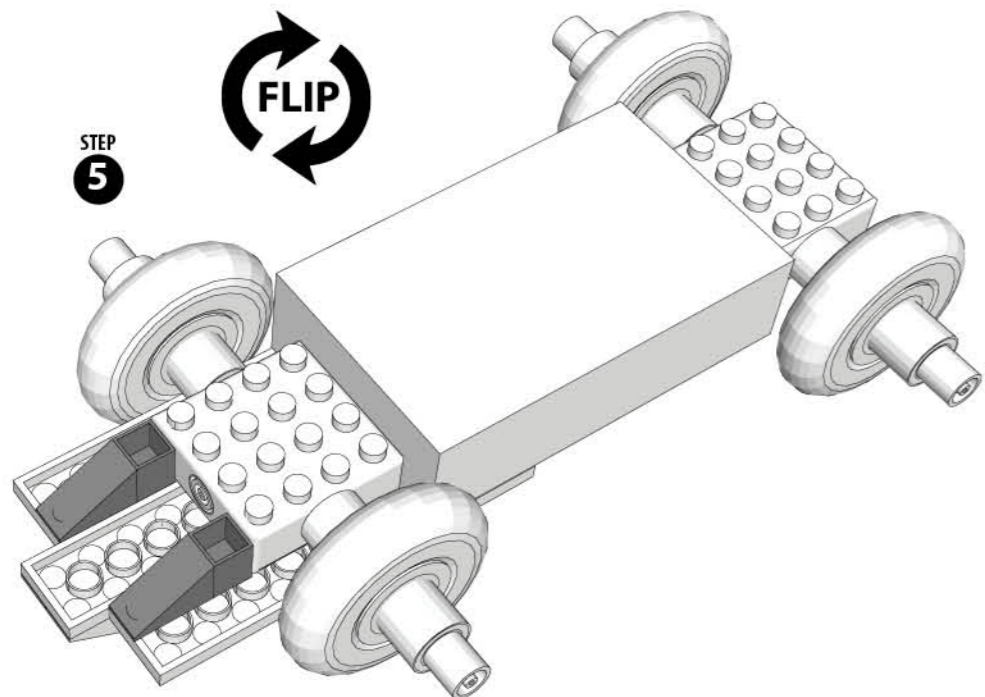


STEP 3

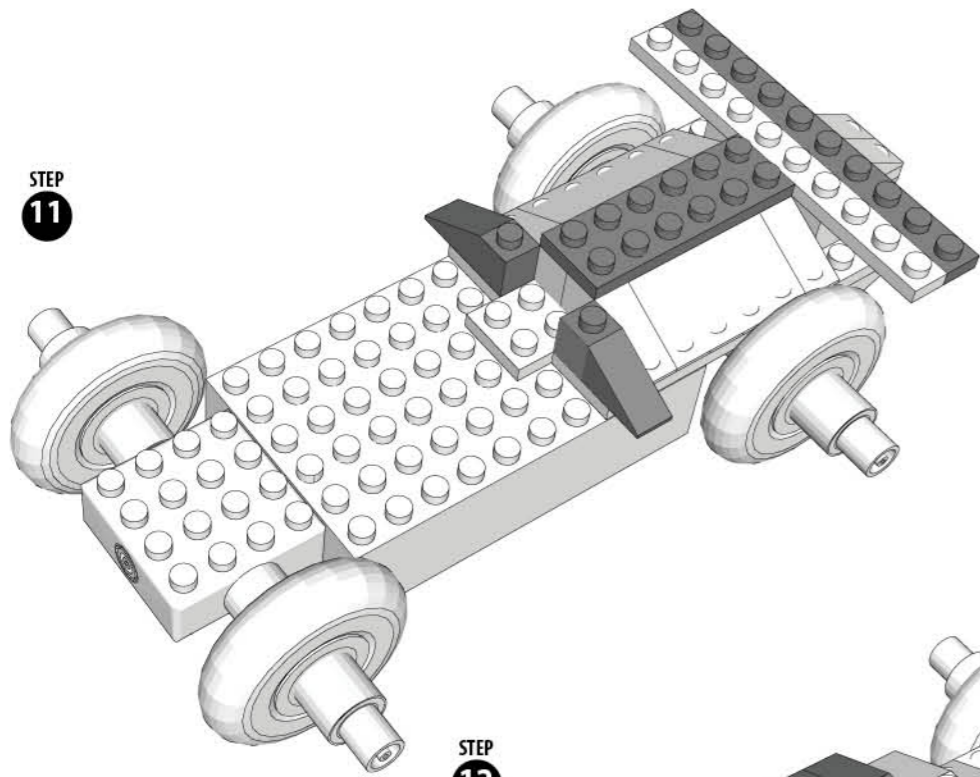


STEP 4

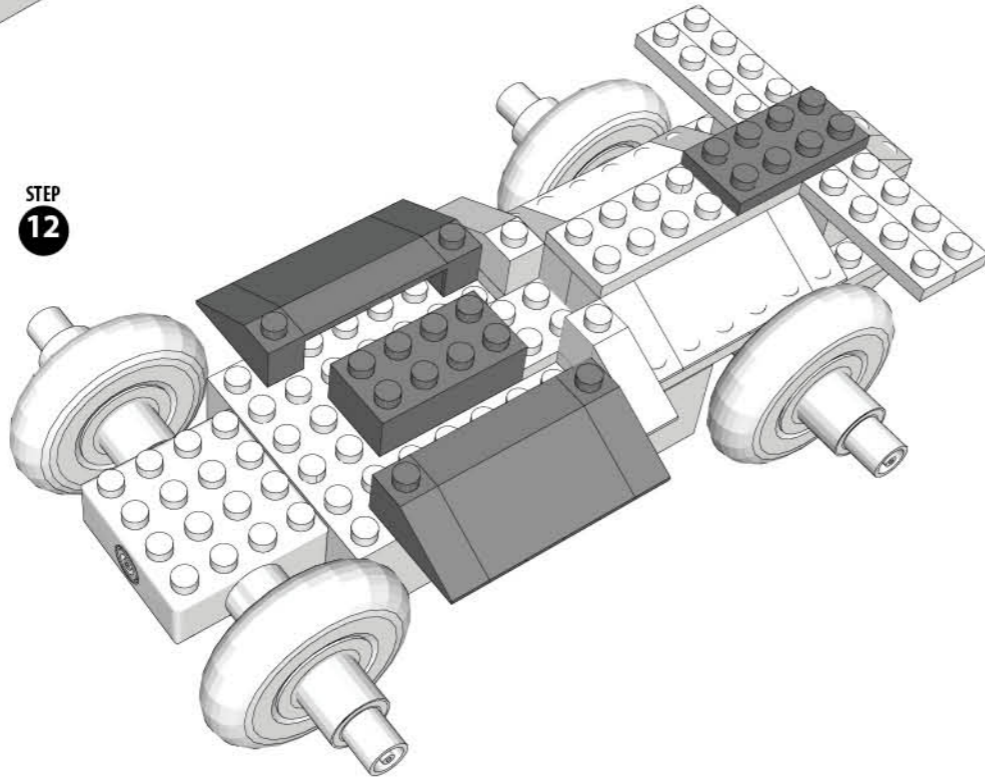




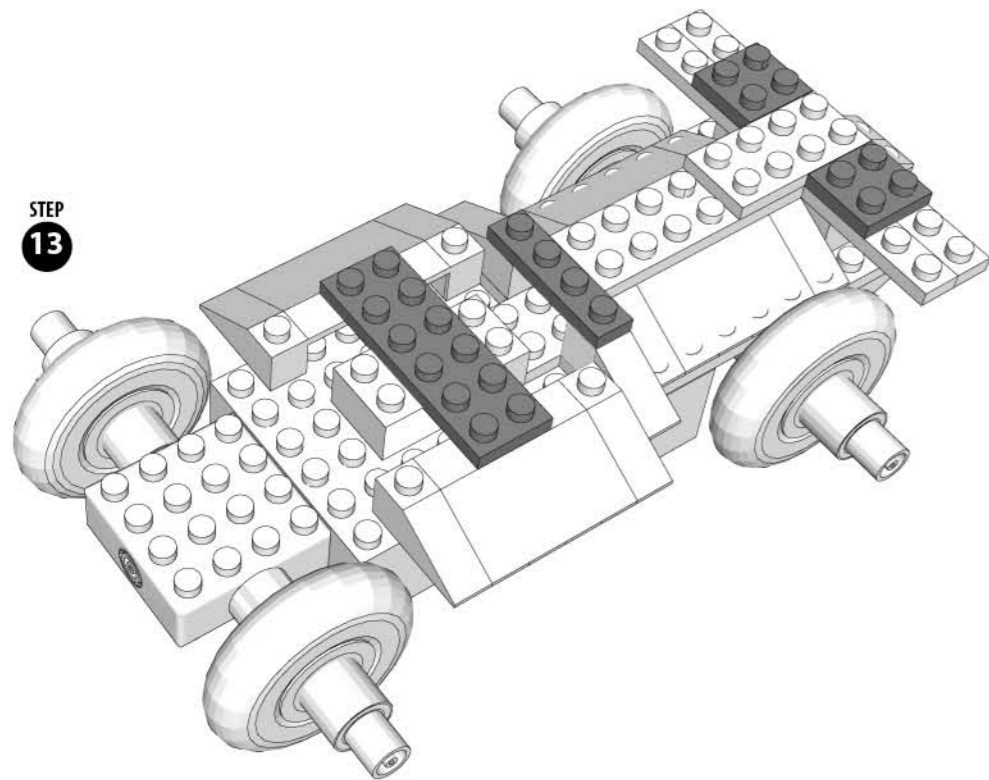
STEP
11



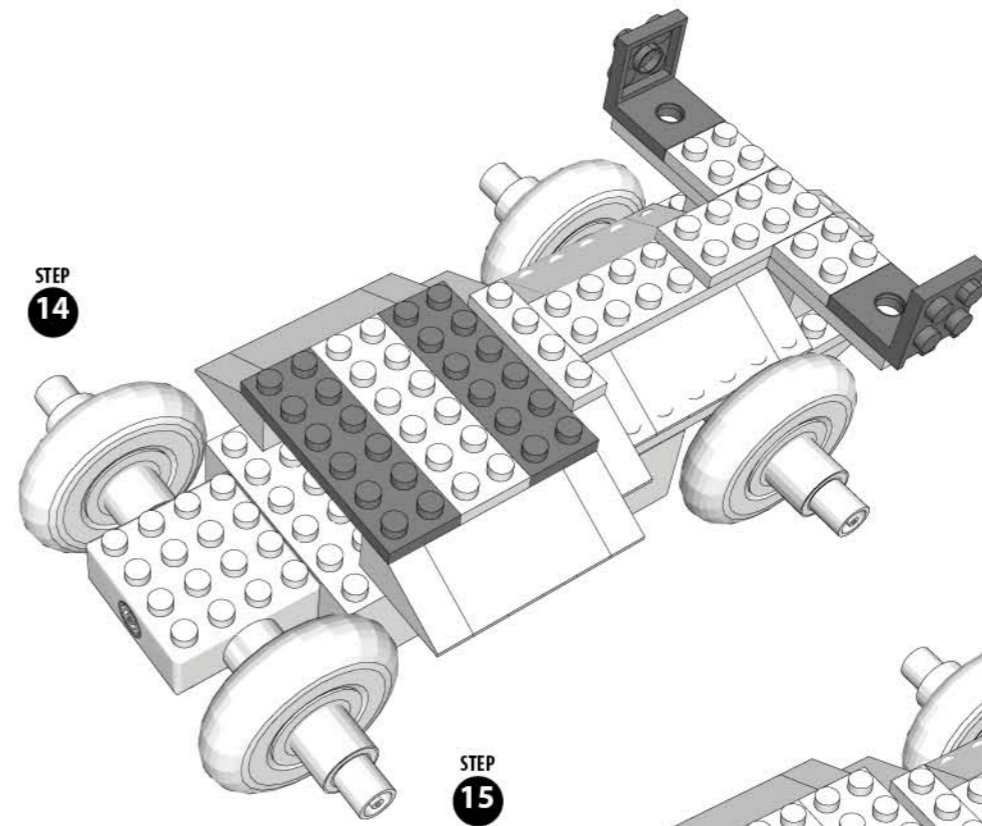
STEP
12



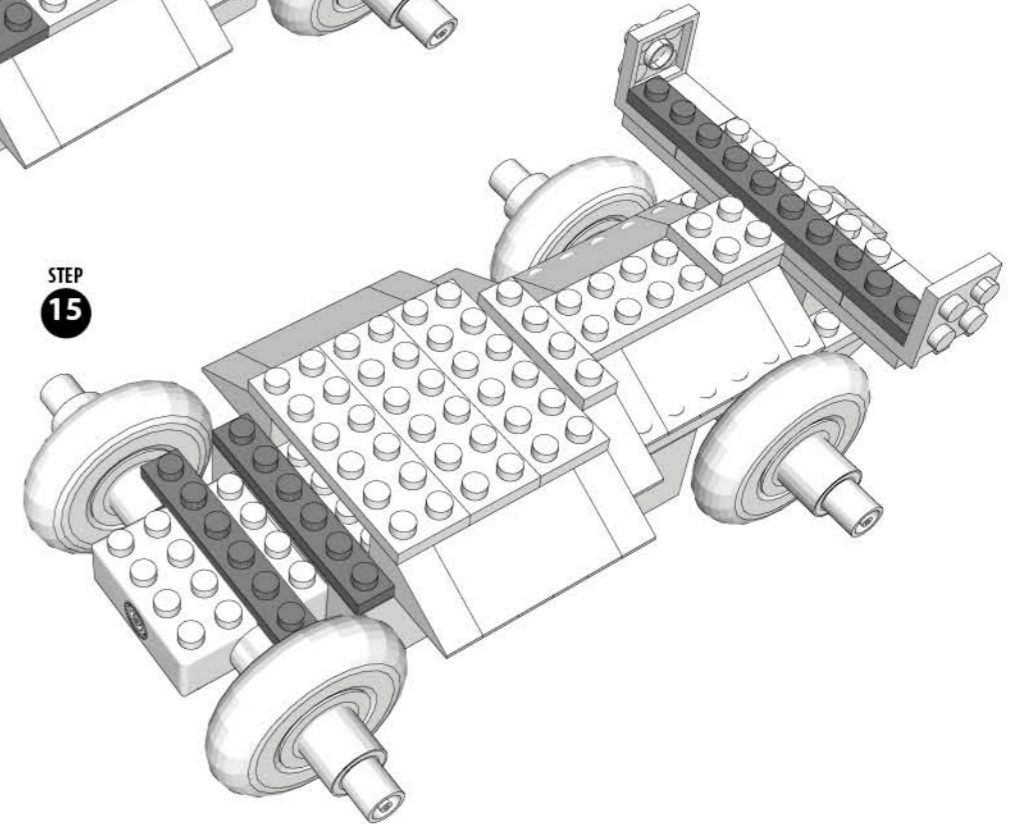
STEP
13



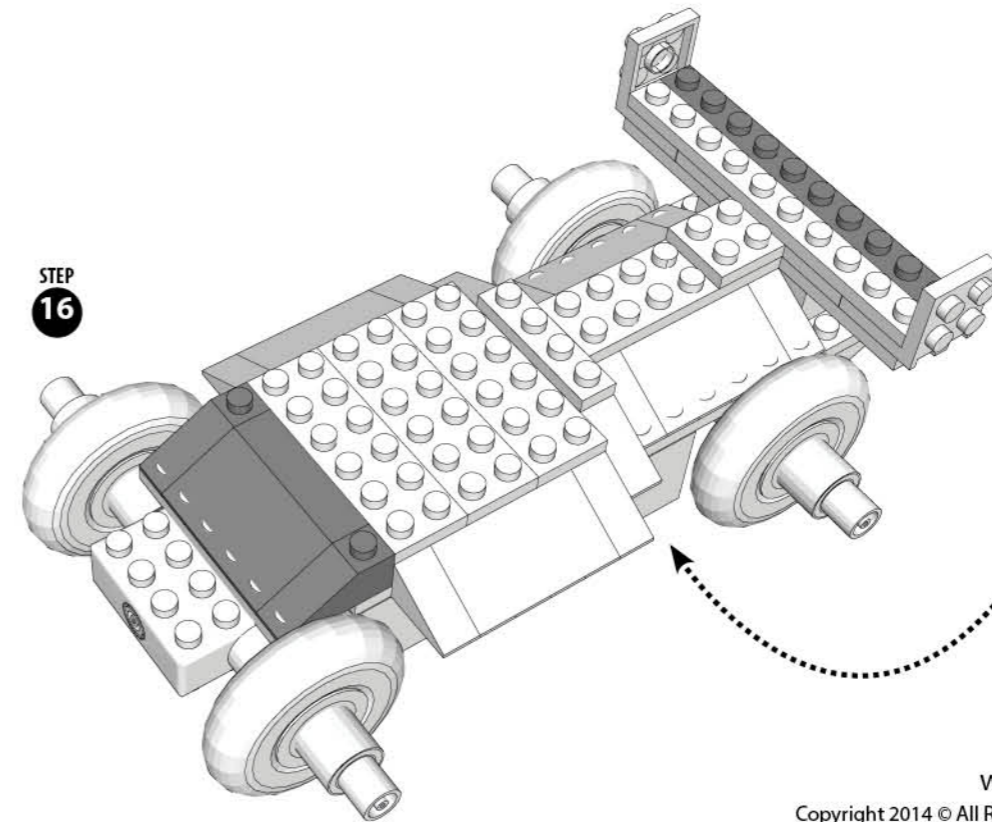
STEP
14



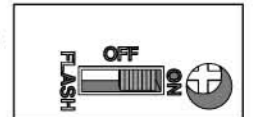
STEP
15



STEP
16



Slide the switch to Light It Up!



OFF - Turns lights OFF
ON - Turns lights ON
FLASH - Makes lights FLASH

www.LaserPegs.com

Copyright 2014 © All Rights Reserved Global & Multiple Patents Pending.
US Patent #7,731,558

LASER PEGS®

The Ultimate Construction Toy For Kids®

PBI410B
POWER BLOCK
CAR SERIES

Ages 5+

8 Models+
Any creation you can build

LIGHTED
MOBILE POWER BLOCK™ SET
INCLUDES:

- 83 Tinted Bricks
 - 4 Tire Pegs
 - 2 Square M-M Pegs
 - 1 Mobile Power Block™
- Requires 3 AAA Batteries

Batteries NOT Included

WARNING: CHOKING HAZARD - Small parts. Not for children under 3 yrs. Do not submerge in water.

DO NOT SUBMERGE IN WATER

EN71, RoHS COMPLIANT

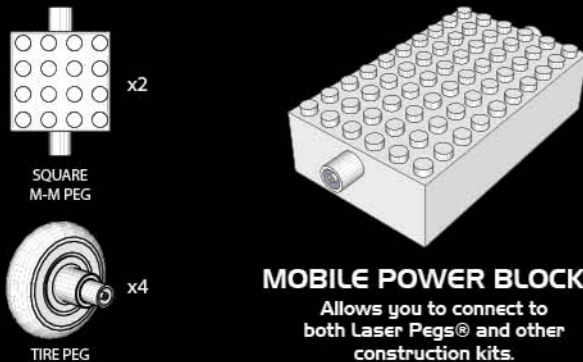


This product complies to all safety requirements of ASTM F 963

MODEL INSTRUCTIONS

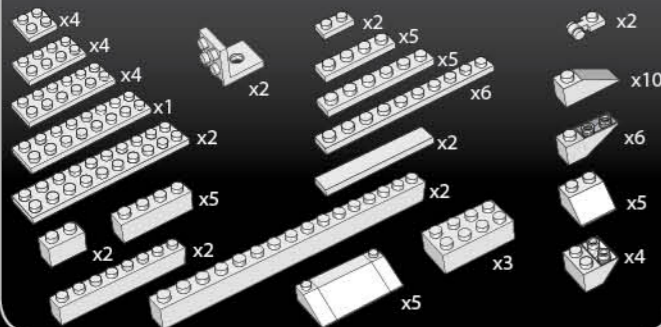
All additional model instructions can be downloaded at www.LaserPegs.com

Laser Pegs® Parts List



Color Code Each Laser Peg® is color coded on the circuit board inside each shape.

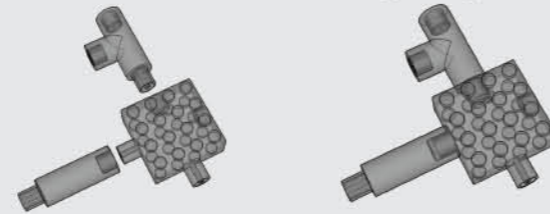
Tinted Bricks List



www.LaserPegs.com

This manual is copyright and cannot be reproduced or used online without Laser Pegs® Ventures LLC permission. Copyright 2014 © All Rights Reserved US Patent #7,731,558 Additional Global & Multiple Patents Pending. Laser Pegs® Ventures LLC, 8304 Consumer Ct., Sarasota FL 34240. Contact: Support@LaserPegs.com

Connecting Pegs



To construct with Laser Pegs®, slide two pieces together to form a connection. Slide each piece on and off smoothly.

POWER BLOCK

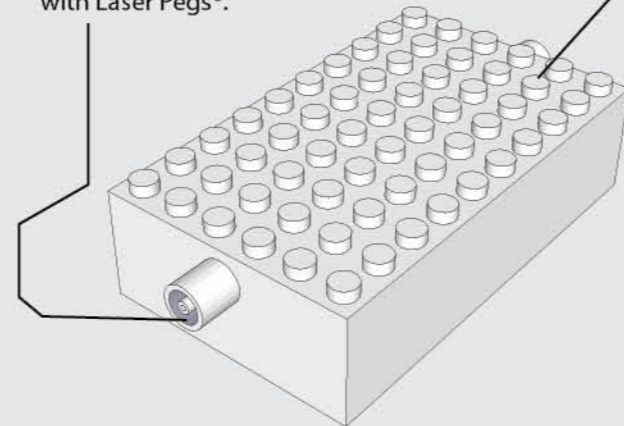
The Power Block is a Power Base that allows you to build with Laser Pegs® and construction parts to build models that light up. It is battery operated. (BATTERIES NOT INCLUDED.)

Laser Pegs® Connections

Allows you to construct with Laser Pegs®.

Construction Part Connections

Allows you to connect to other construction kits.

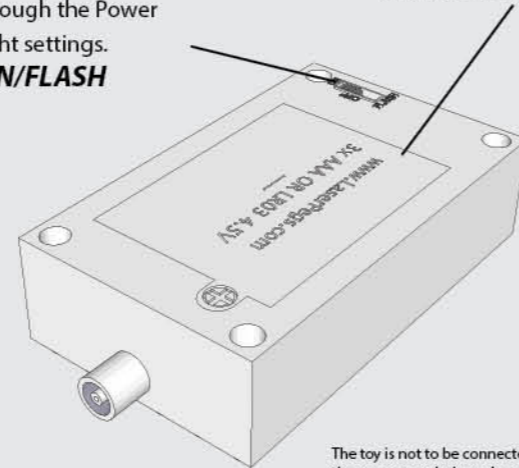


Power Switch

Move the Power Switch to cycle through the Power Block light settings.
OFF/ON/FLASH

Battery Compartment

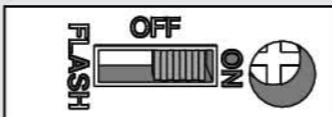
Requires 3-AAA Batteries (Batteries Not Included)



The toy is not to be connected to more than the recommended number of power supplies

LIGHT SETTINGS

OFF - Turns lights OFF
ON - Turns lights ON
FLASH - Makes lights FLASH



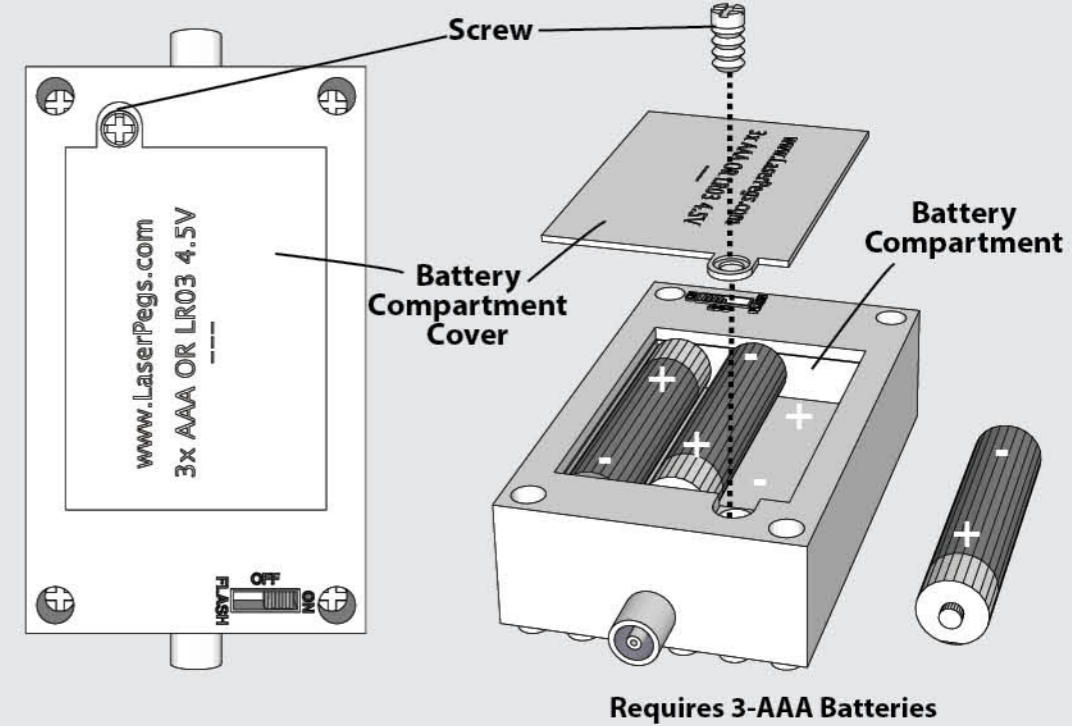
WARNING: STROBE LIGHTS MAY CAUSE SEIZURES

WARNING! Each Laser Peg® draws current from the batteries. Therefore, the more pegs you use, the quicker you will deplete your battery power! As the power weakens, the current will slowly fail and some Laser Pegs® will illuminate (typically the reds and yellows) and some won't. When the Laser Pegs® dim, the Laser Pegs® are not broken, they just need stronger batteries. You have 2 simple options...
1. Change the batteries.
2. Use high quality batteries. They will last a little longer, but they will still deplete rapidly the more Laser Pegs® you connect!

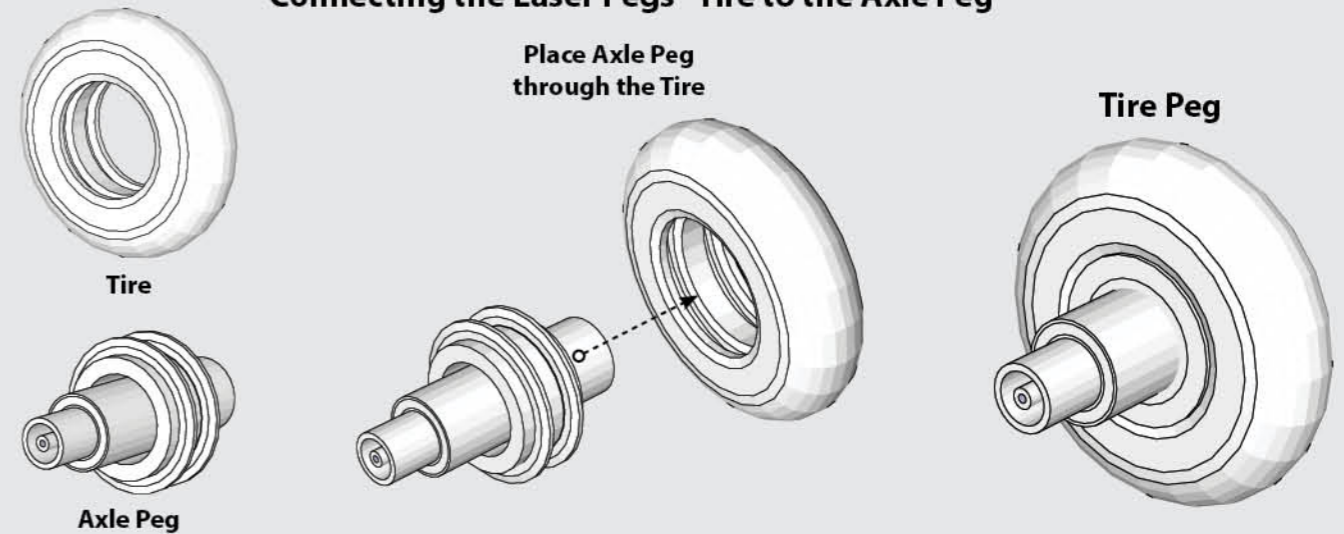
Replacing Batteries

1. Remove Screw.
2. Lift off Battery Compartment Cover.
3. Place three (3) AAA batteries in the correct position - as displayed inside of the Power Block.
4. Replace Battery Compartment Cover and Screw.
5. Slide Power Switch setting to OFF/ON/FLASH.
6. Do not mix old and new batteries.
7. Do not mix alkaline, standard (carbon-zinc), or rechargeable (nickel-cadmium, NiMH) batteries!
8. Exhausted batteries are to be removed from the power base.
9. Never connect more than 30 Laser Pegs® at one time!
10. Non-rechargeable batteries are not to be recharged.
11. Rechargeable batteries are only to be recharged under adult supervision.
12. Rechargeable batteries are to be removed from the toy before being recharged.
13. Batteries are to be inserted with the correct polarity.
14. The supply terminals are not to be short-circuited.
15. DO NOT THROW BATTERIES INTO FIRE!

Remove the Phillips head screw with a 4mm screw driver.
Requires 3-AAA Batteries
Batteries NOT Included



Connecting the Laser Pegs® Tire to the Axle Peg

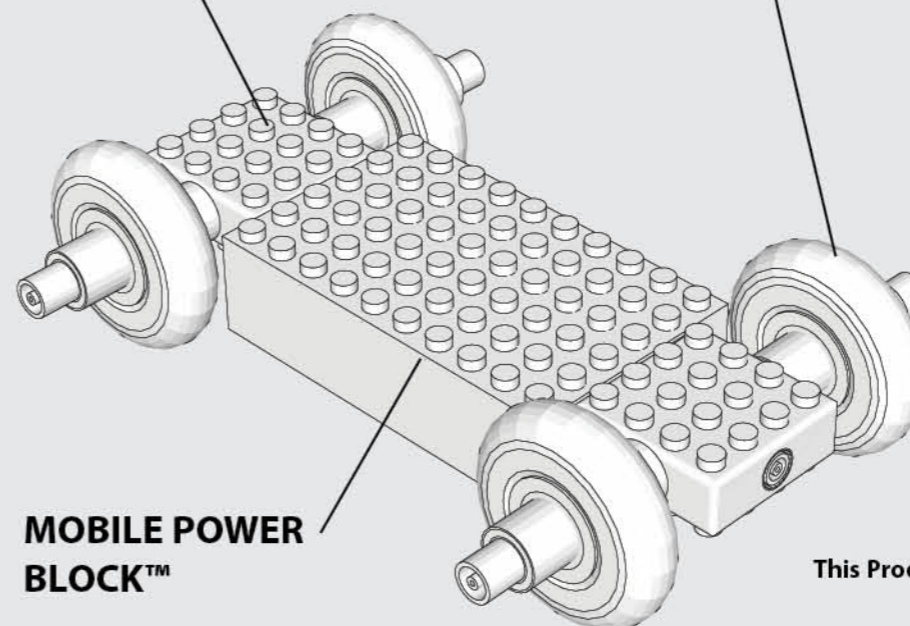


POWER BLOCK™

Use the Laser Pegs® Square M-M Peg to attach the Tire Pegs to the Power Block™.

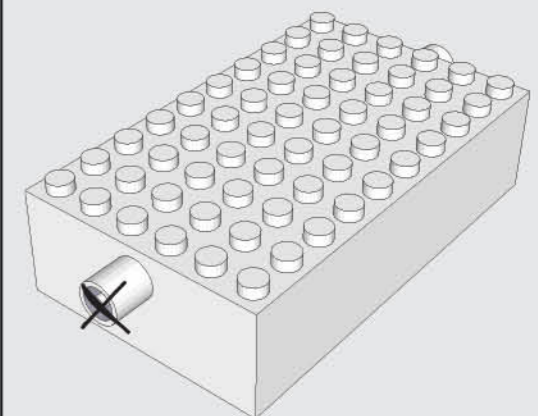
Laser Pegs® Square M-M Peg

Tire Peg



AVOID DAMAGE TO PEG HOLES

*To avoid short-circuits, keep metal objects and other unauthorized materials from obstructing the peg holes.



Never connect more than 30 Laser Pegs® to the Power Block at one time.

This Product contains a button battery. If swallowed, it could cause severe injury or death in just 2 hours. Seek medical attention immediately.

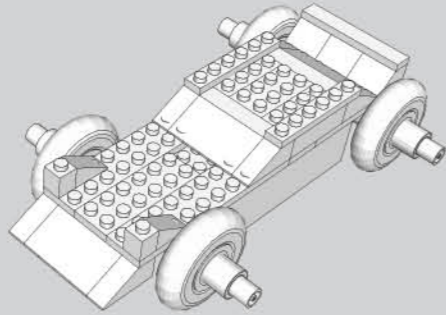
MODIFIED RACER: Modified racing began after World War II and was designed to have more affordable cars for younger racers.



MODIFIED RACER

Model
Difficulty
Level

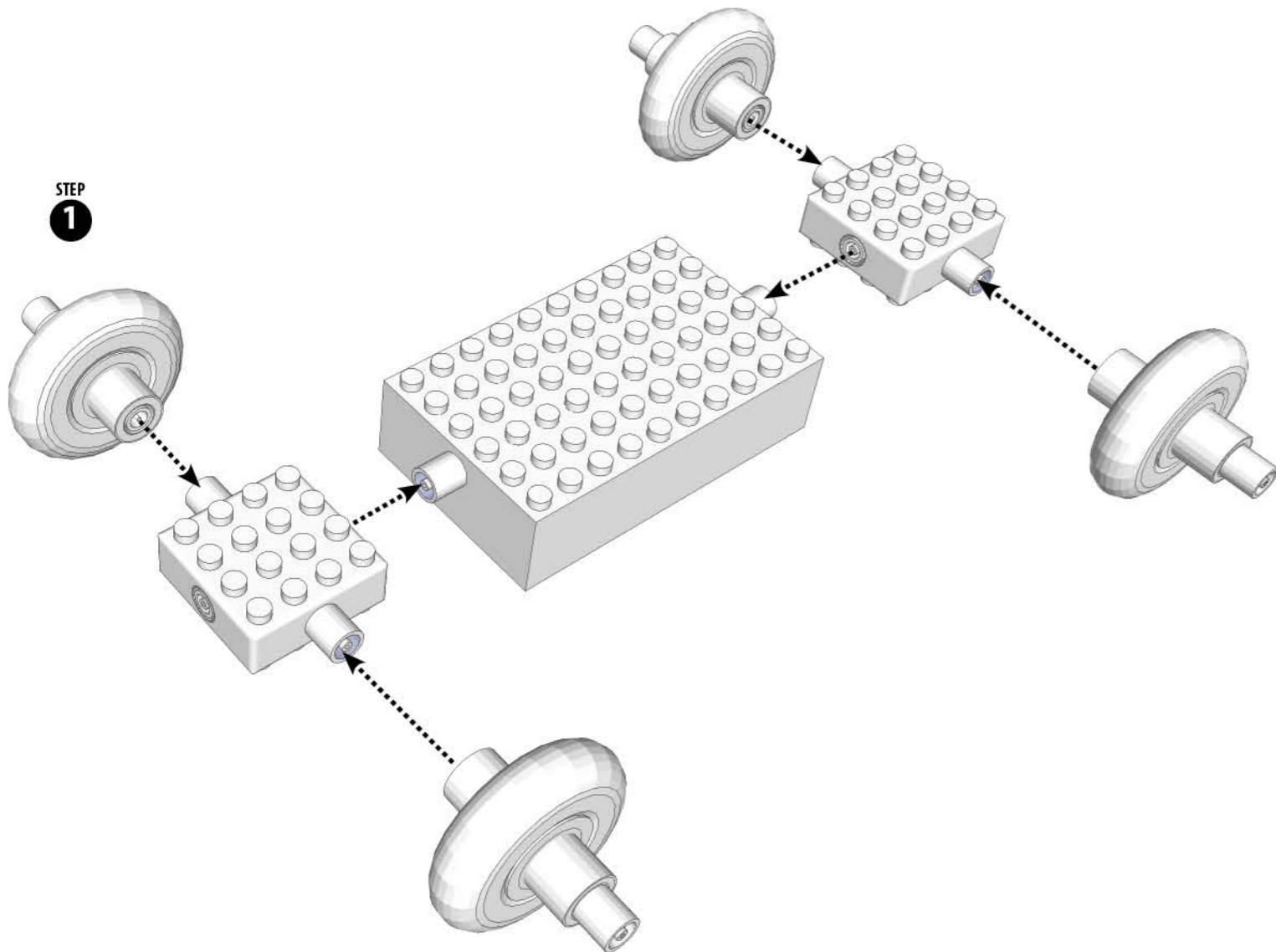
2



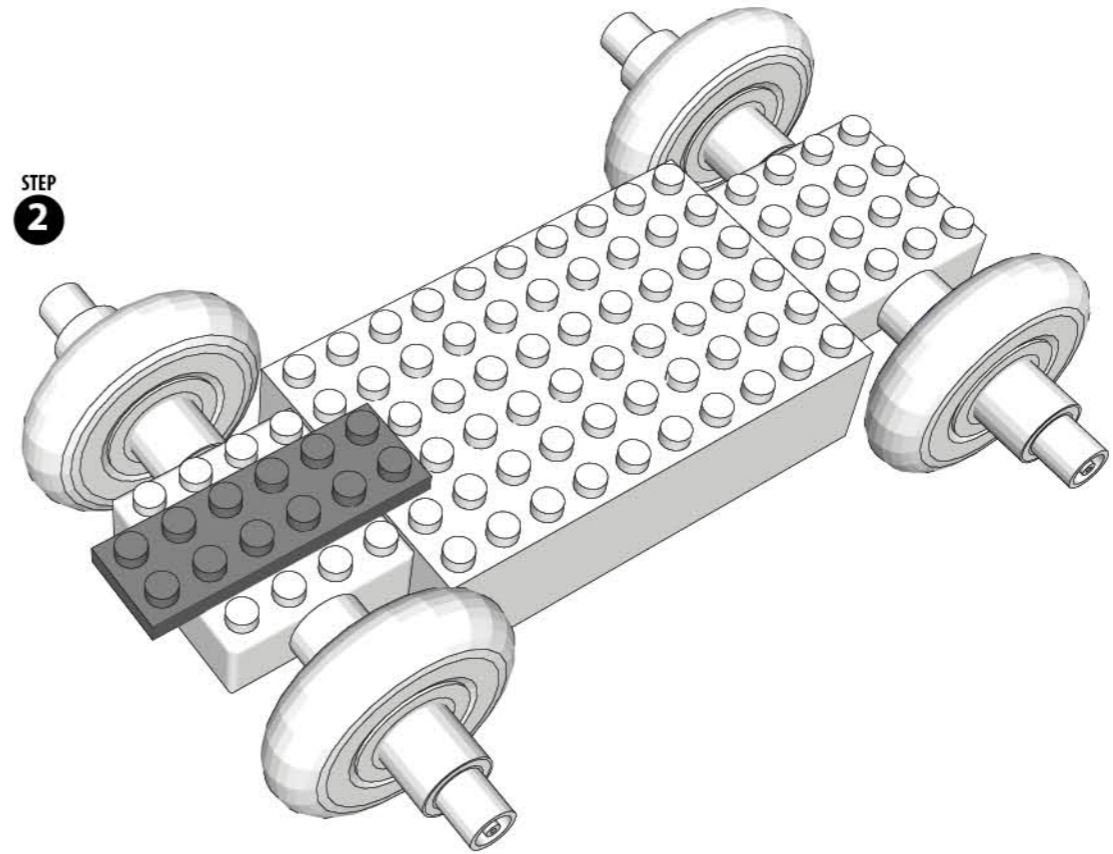
The TRY-ME mechanism is for display purposes ONLY and should be discarded as per state and local regulations. It is NOT intended to be used for the building of this model.



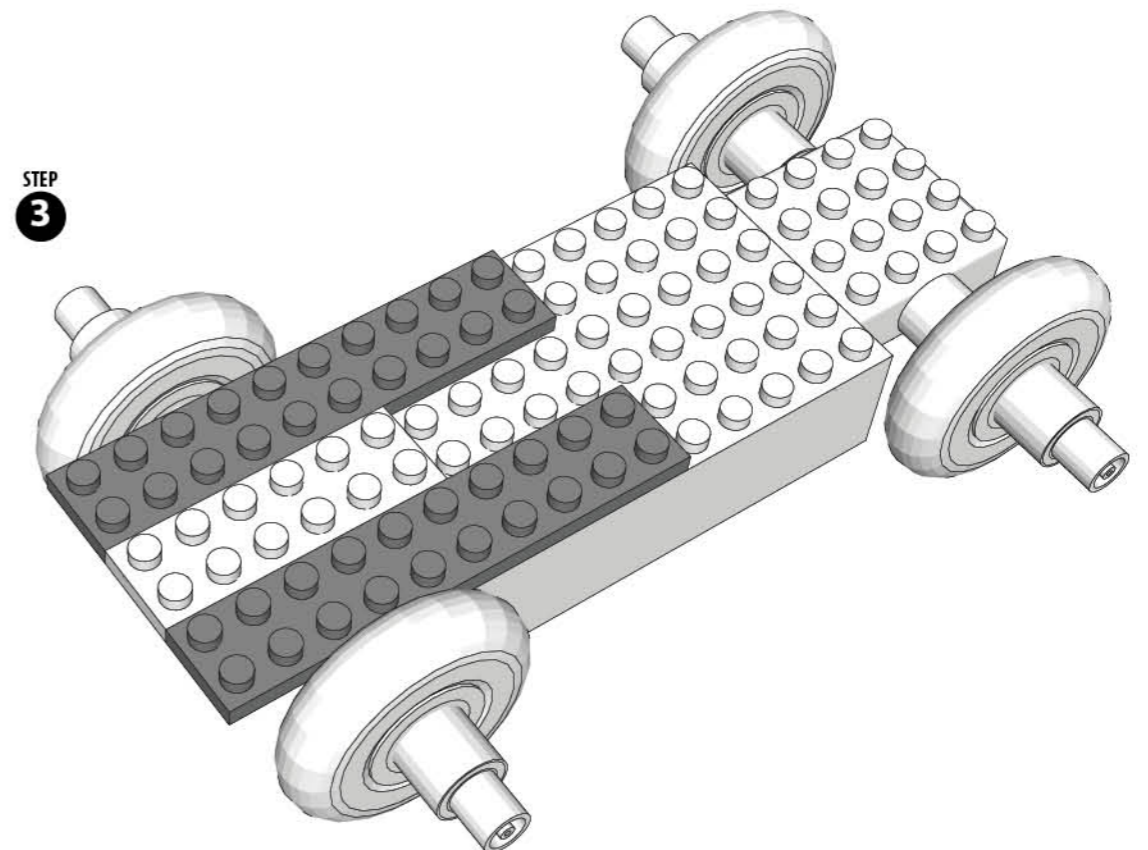
STEP
1



STEP
2

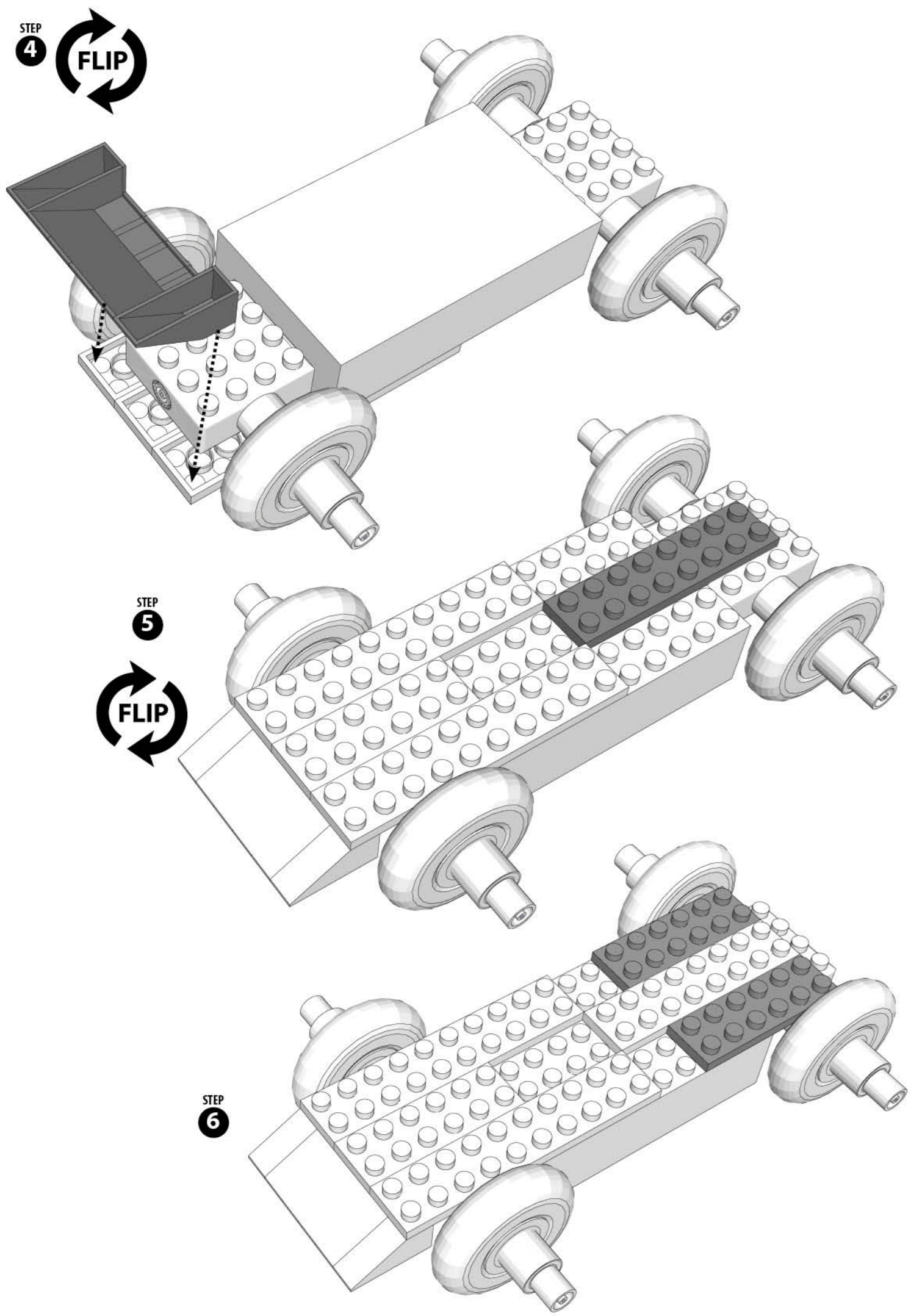


STEP
3

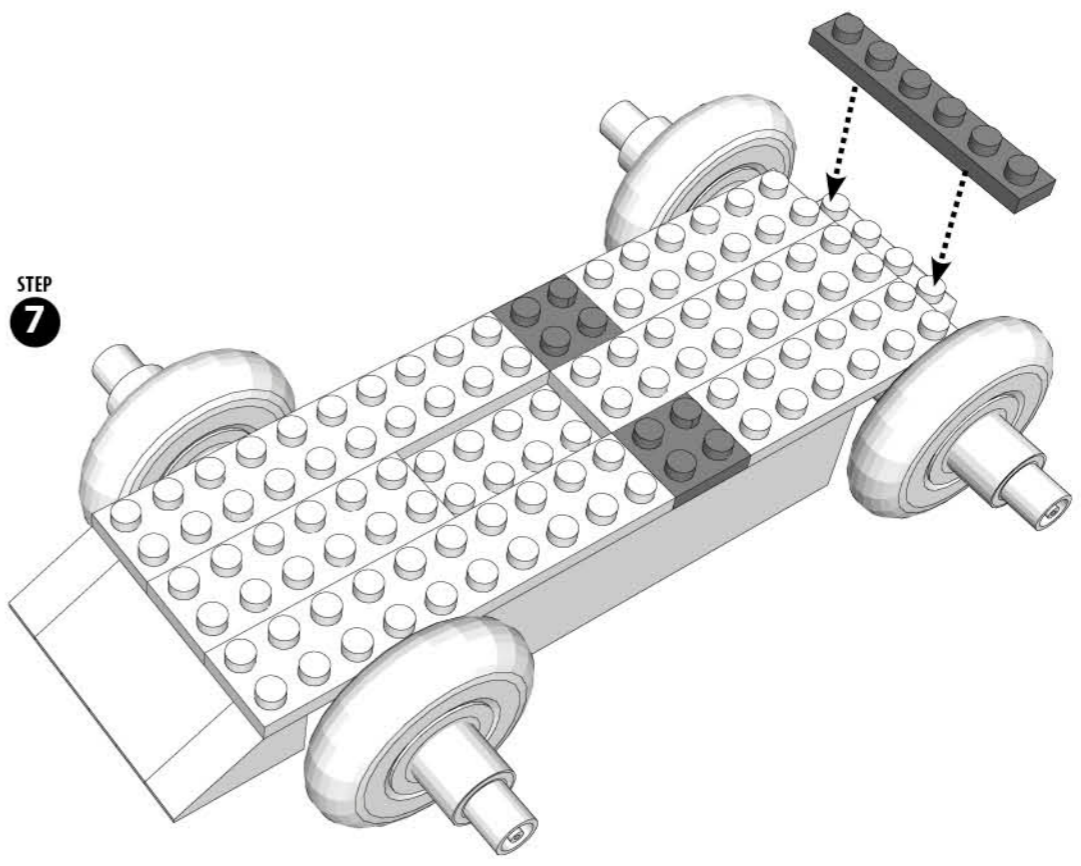


STEP 4

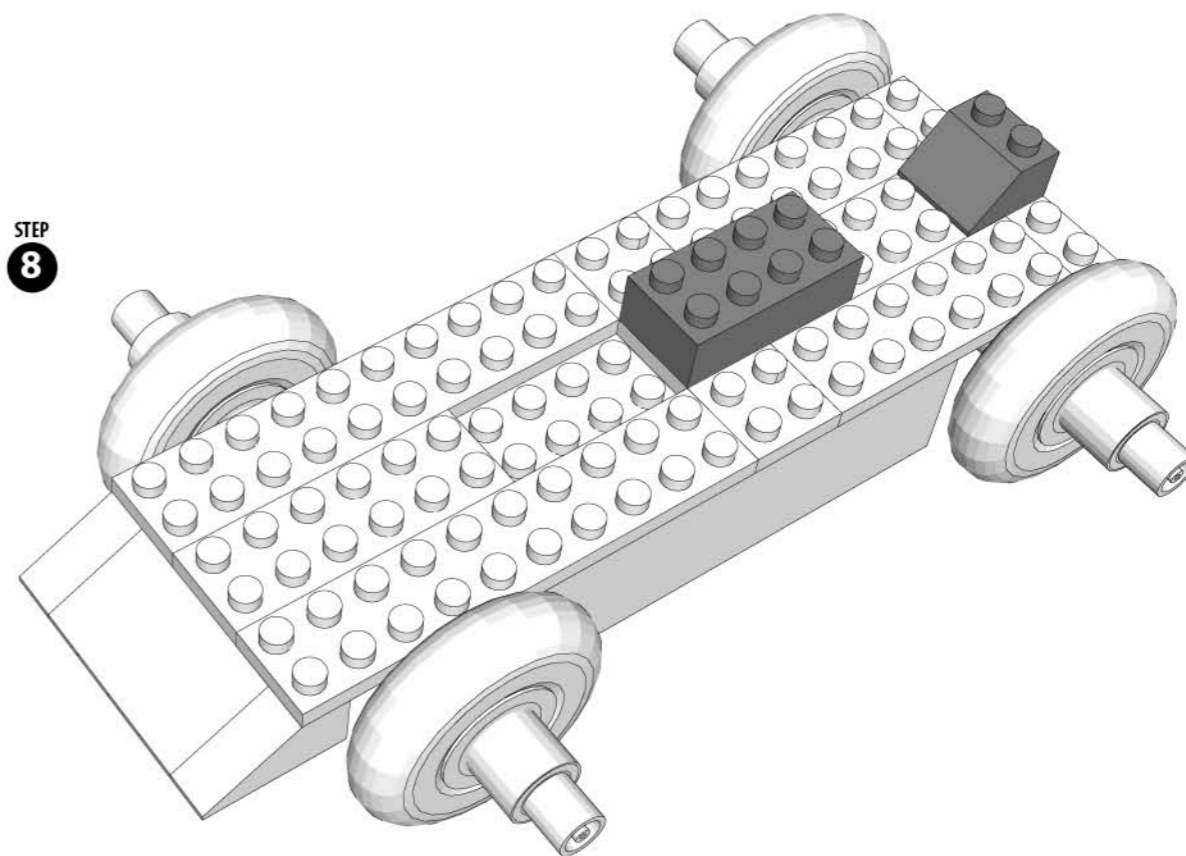
FLIP



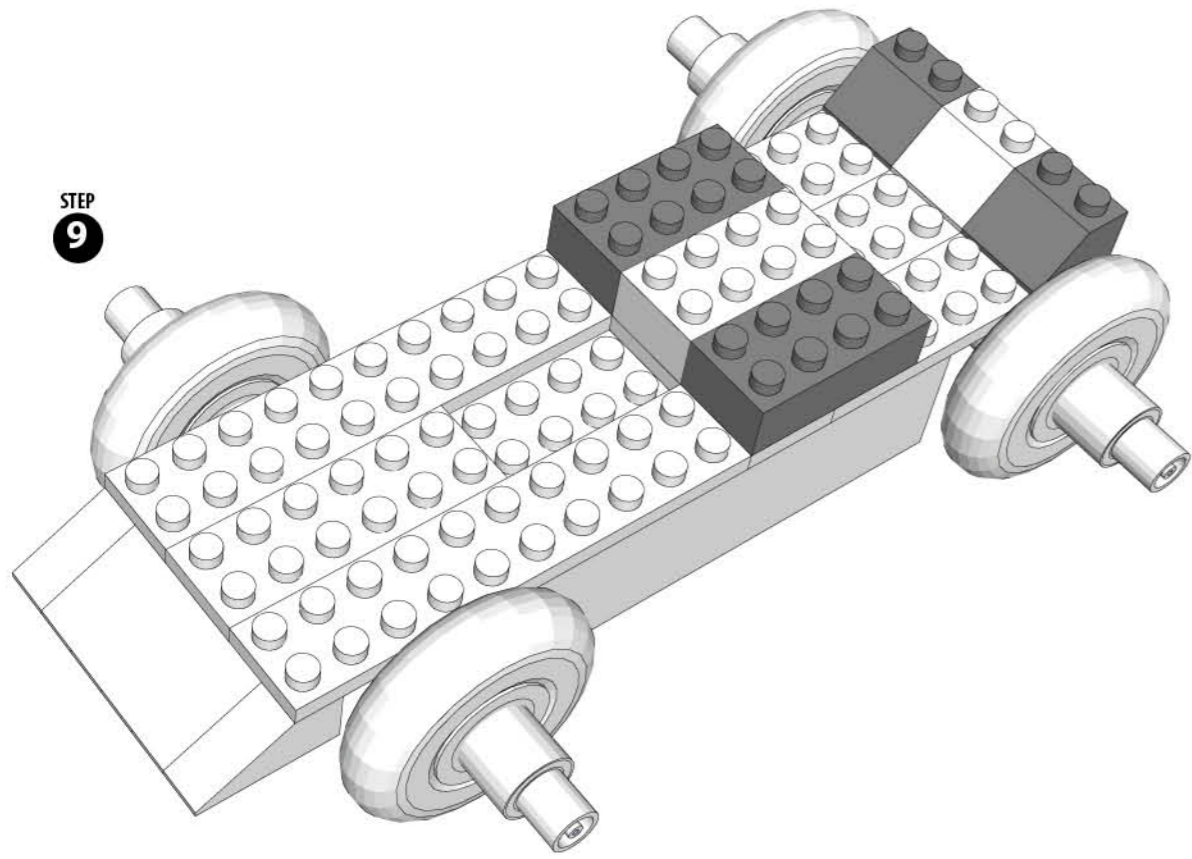
STEP 7



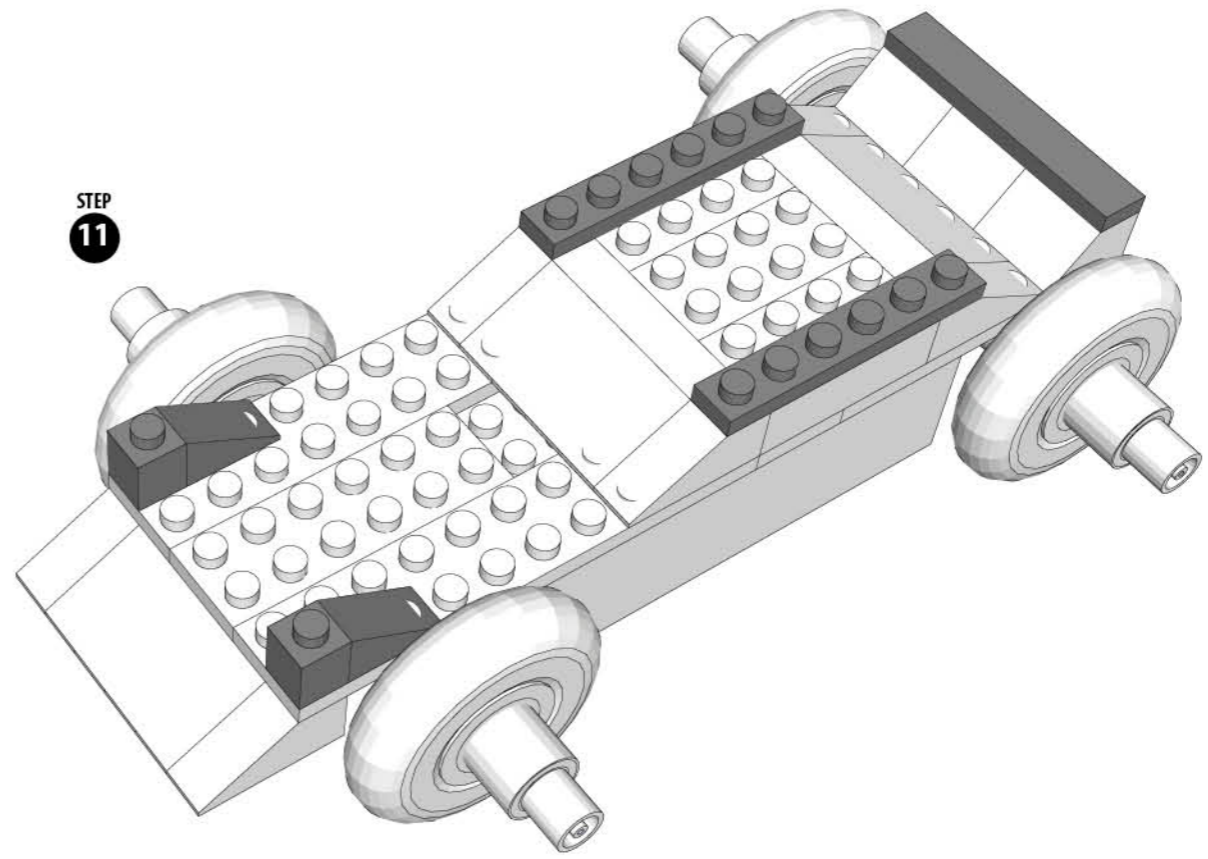
STEP 8



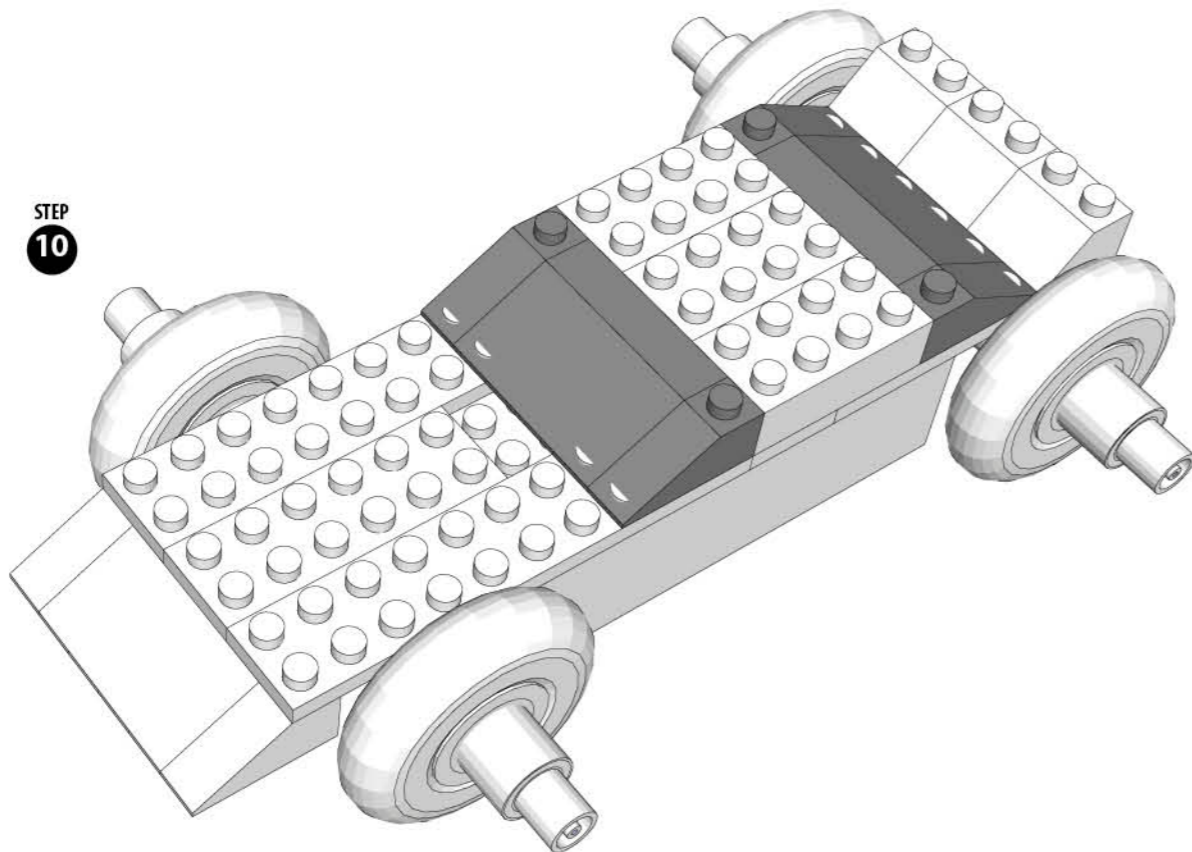
STEP 9



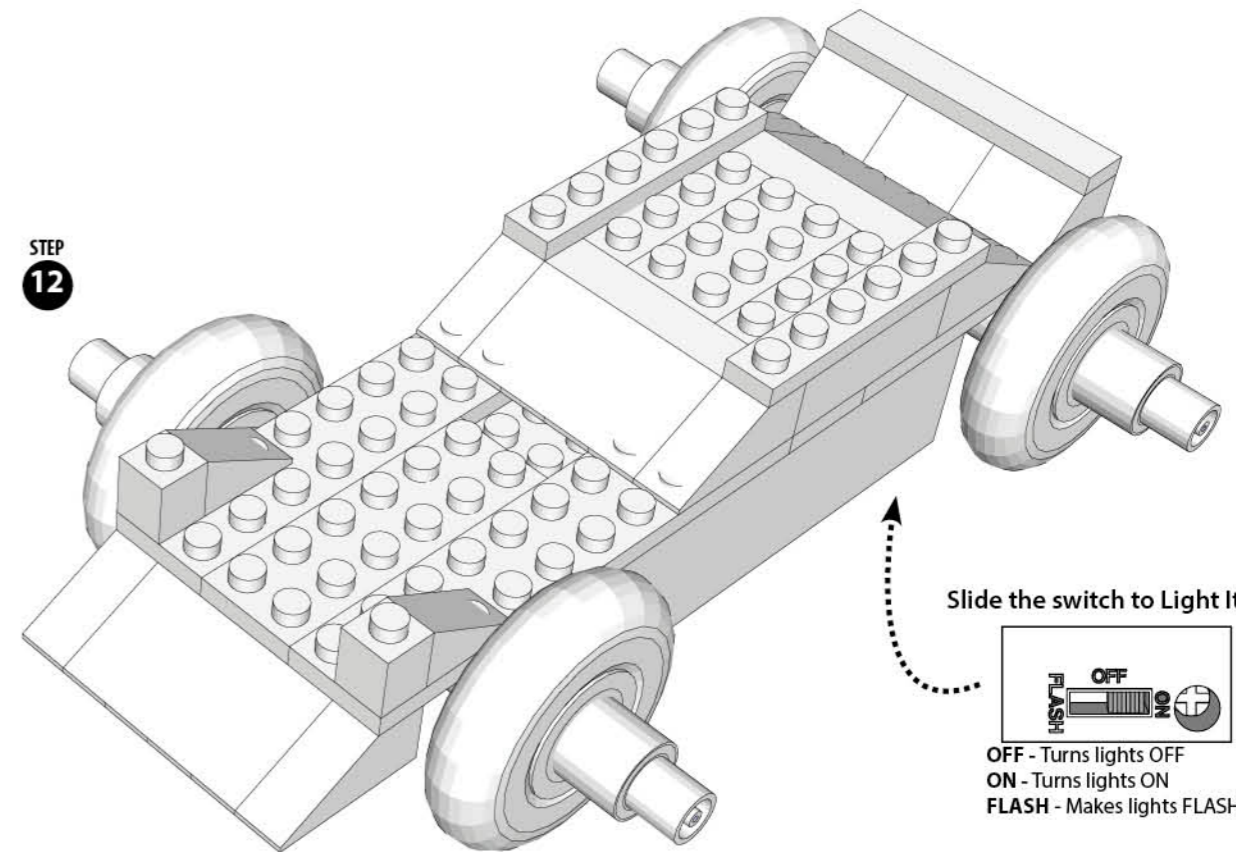
STEP 11



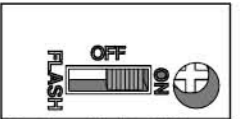
STEP 10



STEP 12



Slide the switch to Light It Up!



OFF - Turns lights OFF
 ON - Turns lights ON
 FLASH - Makes lights FLASH

LASER PEGS®

The Ultimate Construction Toy For Kids®

PBI410B
POWER BLOCK
CAR SERIES

Ages 5+

8 Models+
Any creation you can build

LIGHTED
MOBILE POWER BLOCK™ SET
INCLUDES:

- 83 Tinted Bricks
- 4 Tire Pegs
- 2 Square M-M Pegs
- 1 Mobile Power Block™

Requires 3 AAA Batteries

Batteries NOT Included

WARNING: CHOKING HAZARD - Small parts. Not for children under 3 yrs. Do not submerge in water.

DO NOT SUBMERGE IN WATER

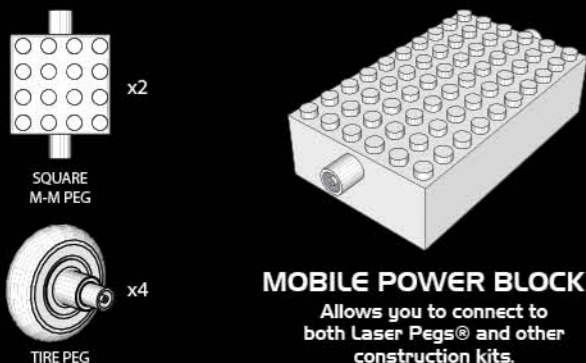
EN71, RoHS COMPLIANT

This product complies to all safety requirements of ASTM F 963

MODEL INSTRUCTIONS

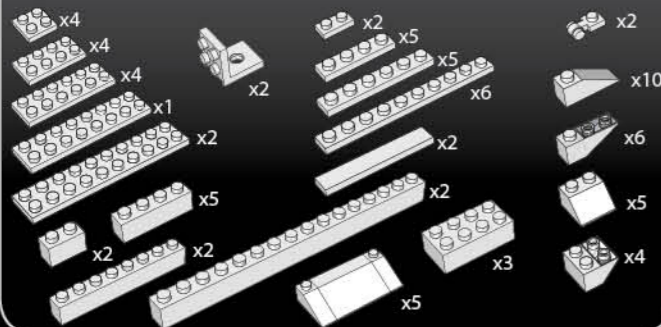
All additional model instructions can be downloaded at www.LaserPegs.com

Laser Pegs® Parts List



Color Code Each Laser Peg® is color coded on the circuit board inside each shape.

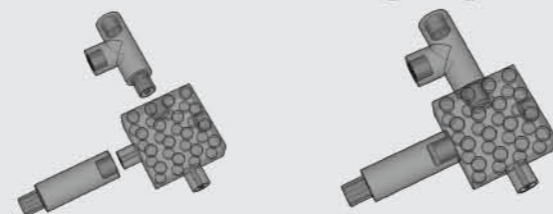
Tinted Bricks List



www.LaserPegs.com

This manual is copyright and cannot be reproduced or used online without Laser Pegs® Ventures LLC permission. Copyright 2014 © All Rights Reserved US Patent #7,731,558 Additional Global & Multiple Patents Pending. Laser Pegs® Ventures LLC, 8304 Consumer Ct., Sarasota FL 34240. Contact: Support@LaserPegs.com

Connecting Pegs



To construct with Laser Pegs®, slide two pieces together to form a connection. Slide each piece on and off smoothly.

POWER BLOCK

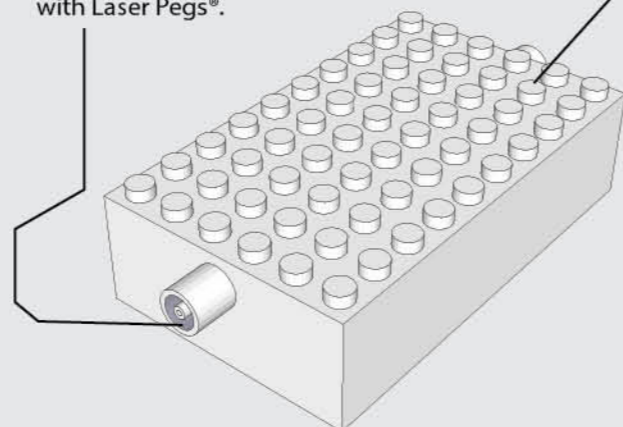
The Power Block is a Power Base that allows you to build with Laser Pegs® and construction parts to build models that light up. It is battery operated. (BATTERIES NOT INCLUDED.)

Laser Pegs® Connections

Allows you to construct with Laser Pegs®.

Construction Part Connections

Allows you to connect to other construction kits.

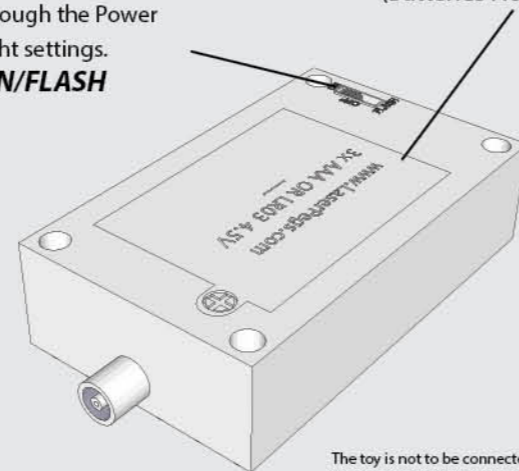


Power Switch

Move the Power Switch to cycle through the Power Block light settings.
OFF/ON/FLASH

Battery Compartment

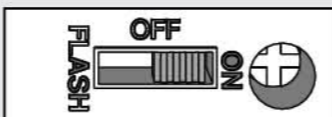
Requires 3-AAA Batteries (Batteries Not Included)



The toy is not to be connected to more than the recommended number of power supplies

LIGHT SETTINGS

OFF - Turns lights OFF
ON - Turns lights ON
FLASH - Makes lights FLASH



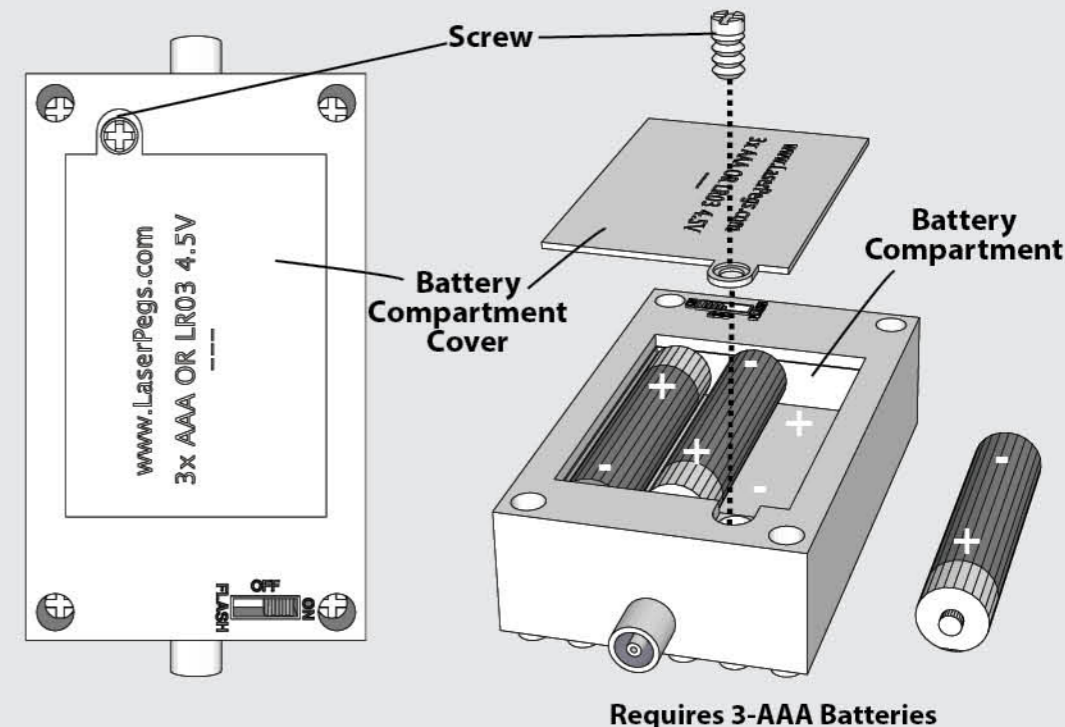
WARNING: STROBE LIGHTS MAY CAUSE SEIZURES

WARNING! Each Laser Peg® draws current from the batteries. Therefore, the more pegs you use, the quicker you will deplete your battery power! As the power weakens, the current will slowly fail and some Laser Pegs® will illuminate (typically the reds and yellows) and some won't. When the Laser Pegs® dim, the Laser Pegs® are not broken, they just need stronger batteries. You have 2 simple options...
1. Change the batteries.
2. Use high quality batteries. They will last a little longer, but they will still deplete rapidly the more Laser Pegs® you connect!

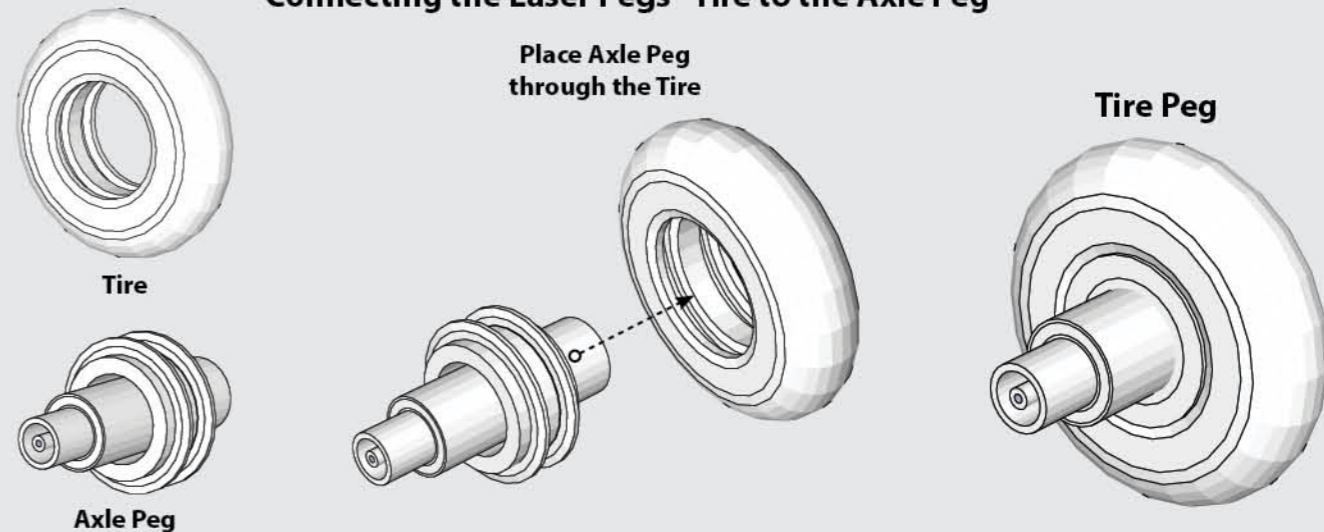
Replacing Batteries

1. Remove Screw.
2. Lift off Battery Compartment Cover.
3. Place three (3) AAA batteries in the correct position - as displayed inside of the Power Block.
4. Replace Battery Compartment Cover and Screw.
5. Slide Power Switch setting to OFF/ON/FLASH.
6. Do not mix old and new batteries.
7. Do not mix alkaline, standard (carbon-zinc), or rechargeable (nickel-cadmium, NiMH) batteries!
8. Exhausted batteries are to be removed from the power base.
9. Never connect more than 30 Laser Pegs® at one time!
10. Non-rechargeable batteries are not to be recharged.
11. Rechargeable batteries are only to be recharged under adult supervision.
12. Rechargeable batteries are to be removed from the toy before being recharged.
13. Batteries are to be inserted with the correct polarity.
14. The supply terminals are not to be short-circuited.
15. DO NOT THROW BATTERIES INTO FIRE!

Remove the Phillips head screw with a 4mm screw driver.
Requires 3-AAA Batteries
Batteries NOT Included



Connecting the Laser Pegs® Tire to the Axle Peg

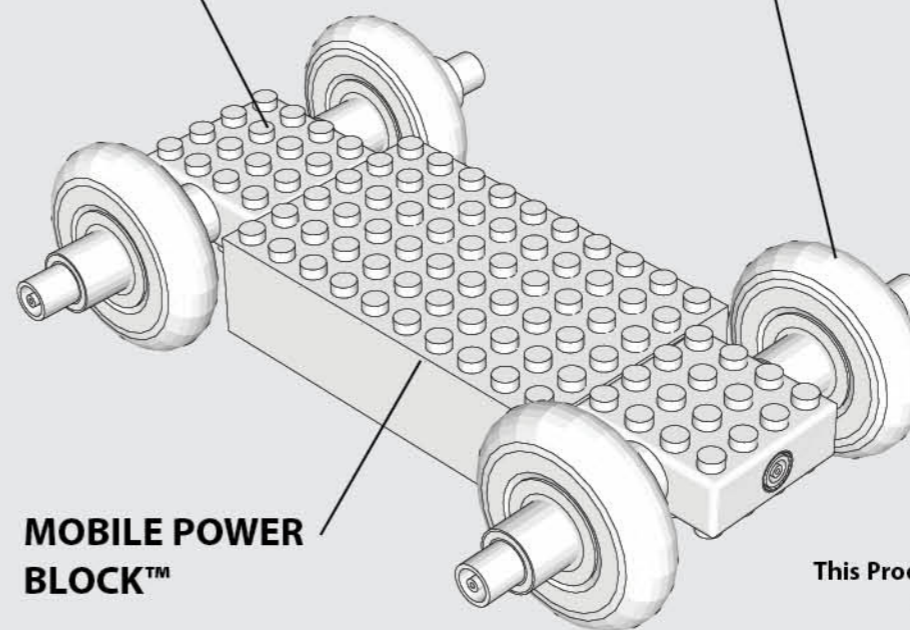


POWER BLOCK™

Use the Laser Pegs® Square M-M Peg to attach the Tire Pegs to the Power Block™.

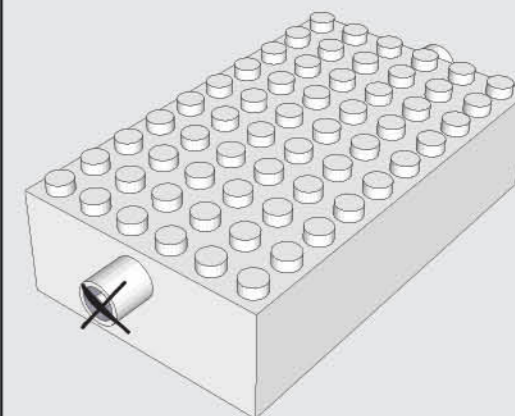
Laser Pegs® Square M-M Peg

Tire Peg



AVOID DAMAGE TO PEG HOLES

*To avoid short-circuits, keep metal objects and other unauthorized materials from obstructing the peg holes.



Never connect more than 30 Laser Pegs® to the Power Block at one time.

This Product contains a button battery. If swallowed, it could cause severe injury or death in just 2 hours. Seek medical attention immediately.

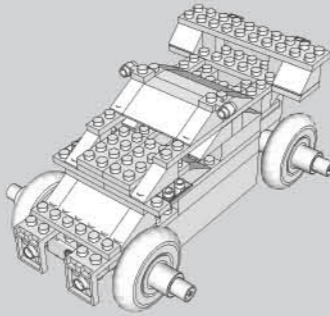
RALLY CAR: The winner of the first horse-less rally race was disqualified because his steam-powered vehicle was ineligible for competition.



RALLY CAR

Model
Difficulty
Level

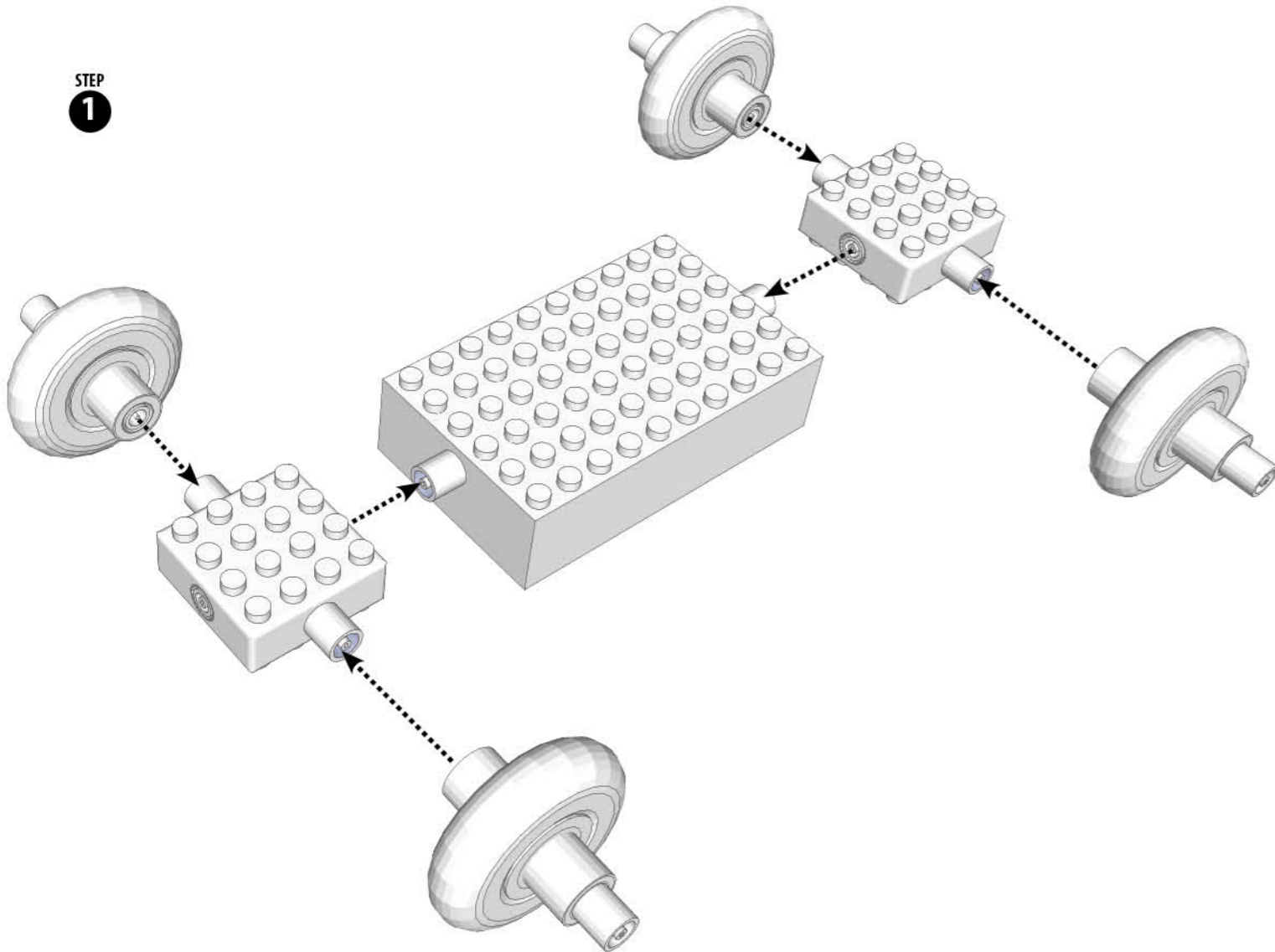
4



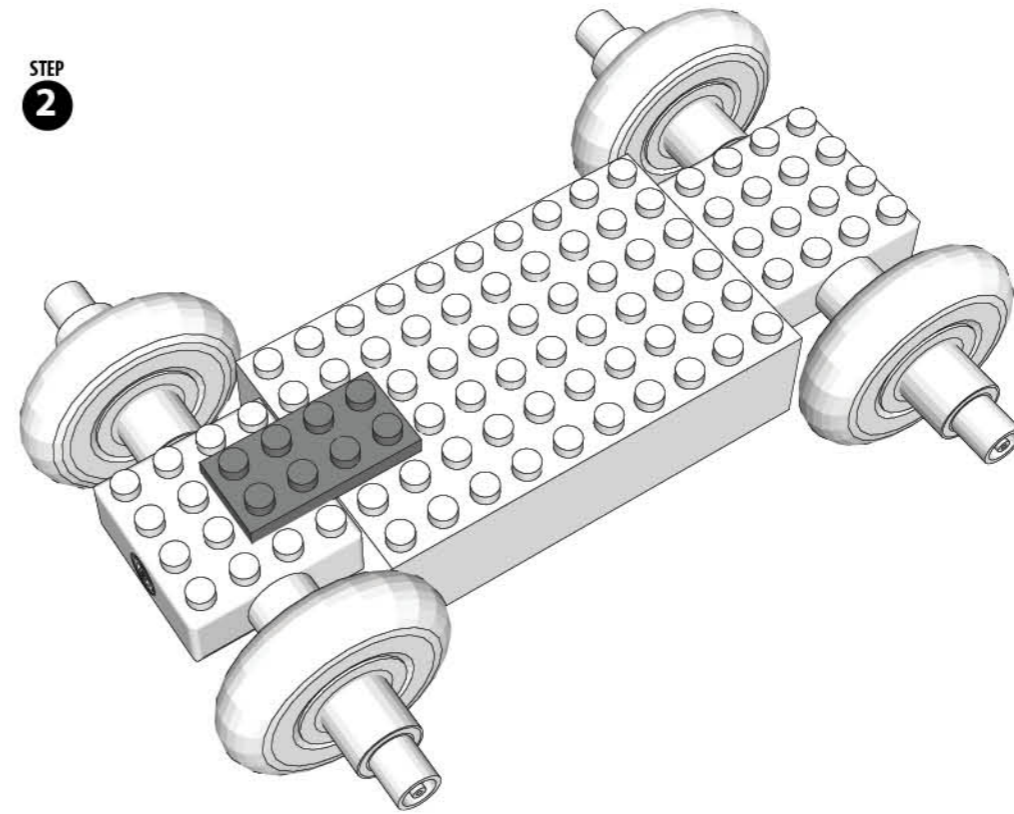
The TRY-ME mechanism is for display purposes ONLY and should be discarded as per state and local regulations. It is NOT intended to be used for the building of this model.



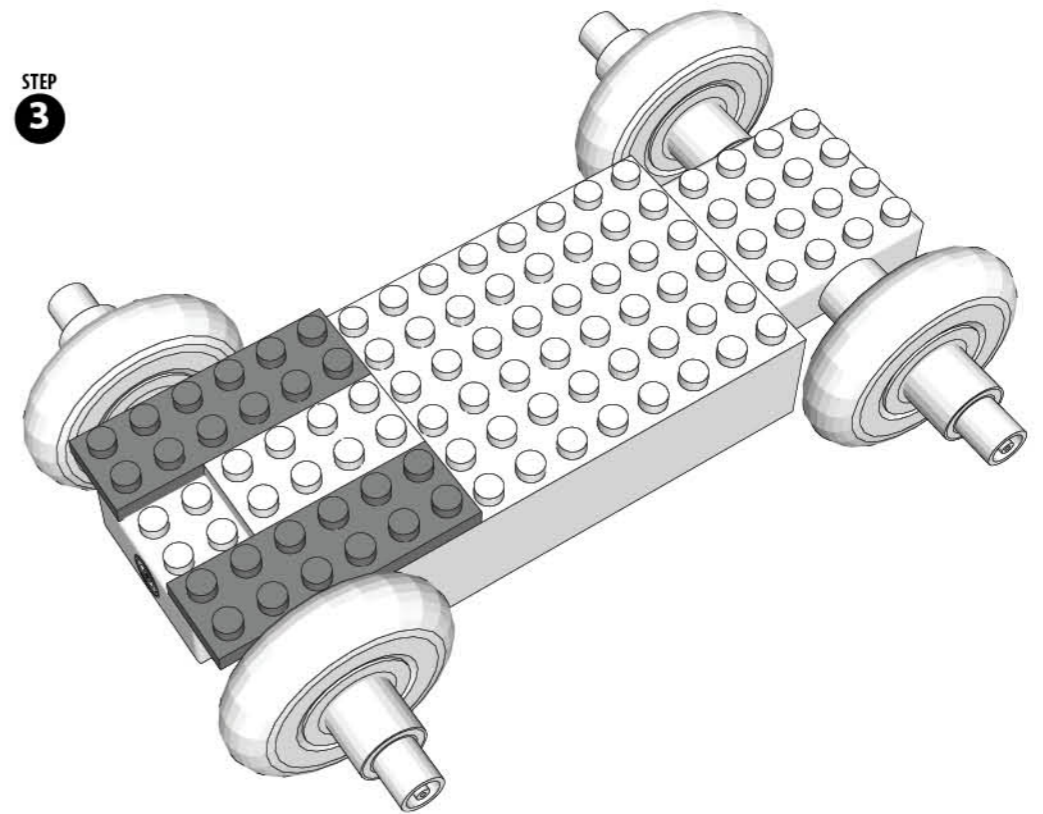
STEP
1



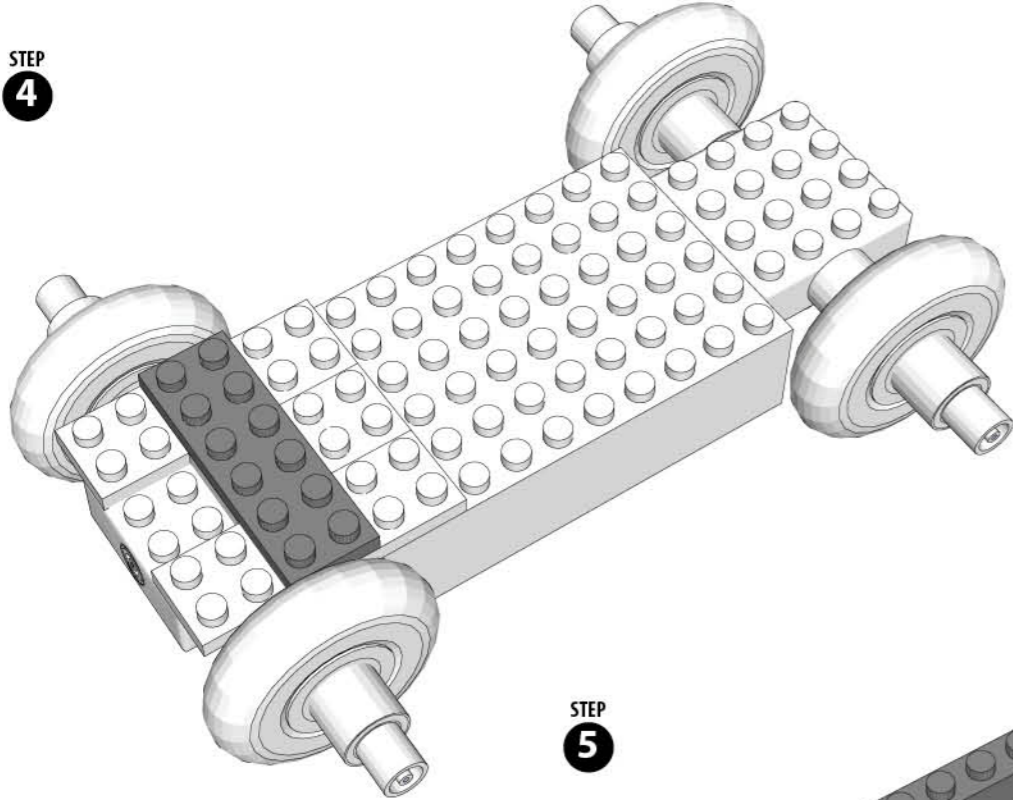
STEP
2



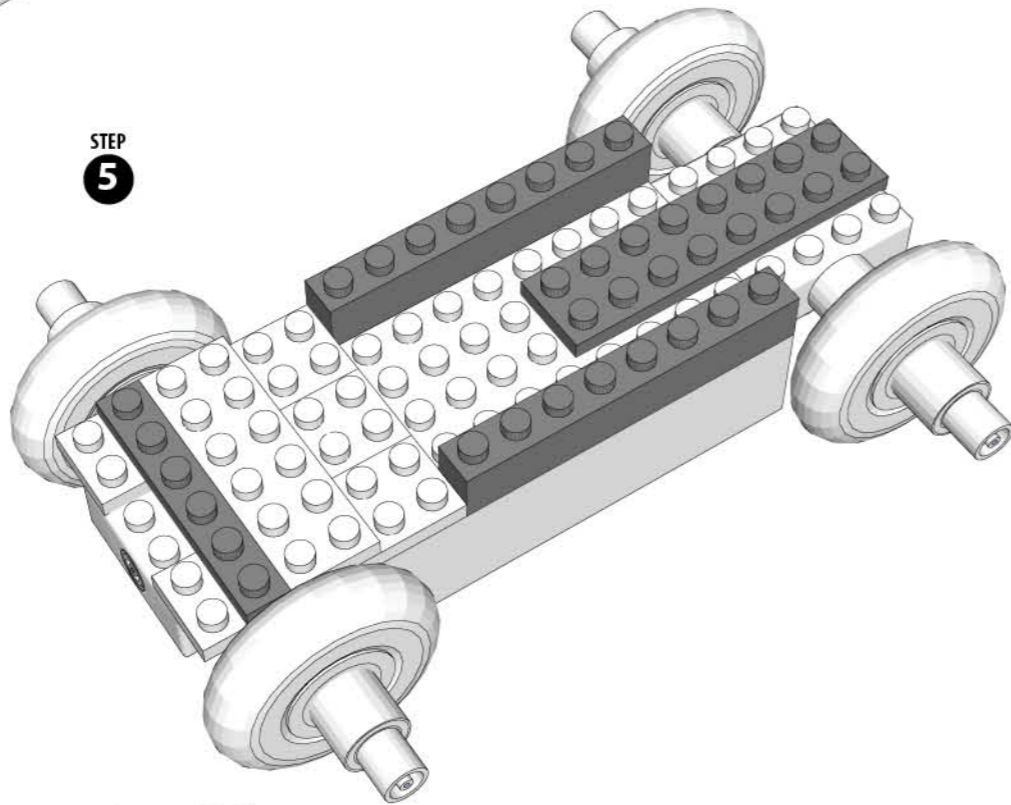
STEP
3



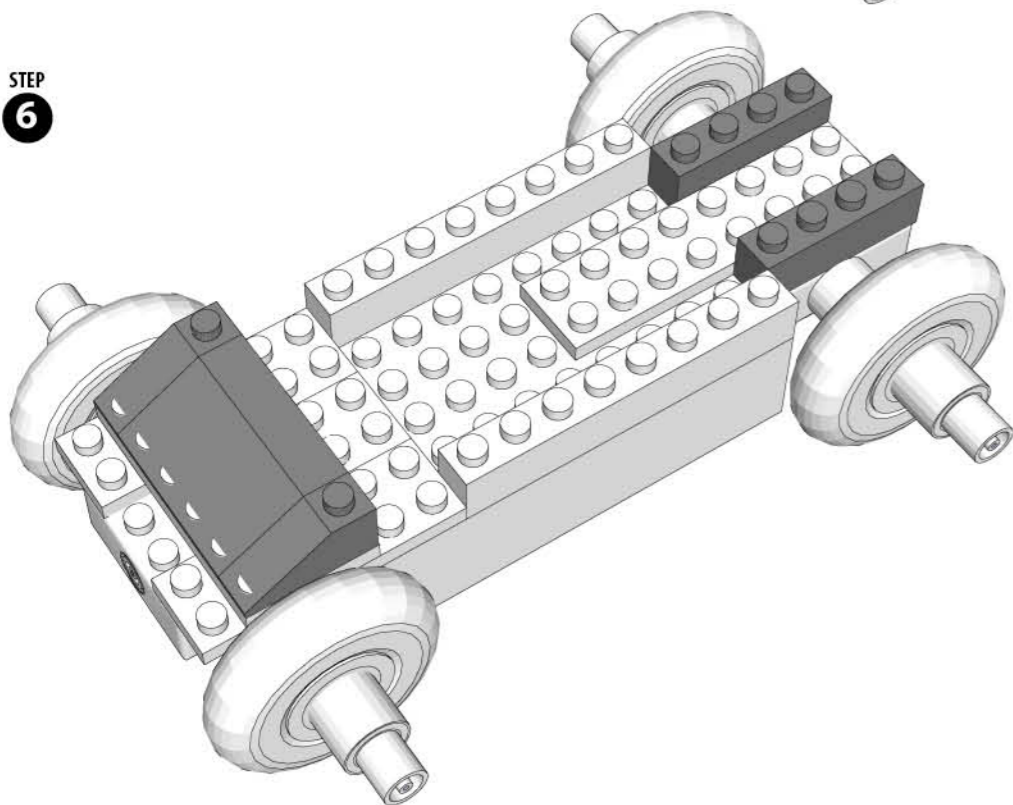
STEP
4



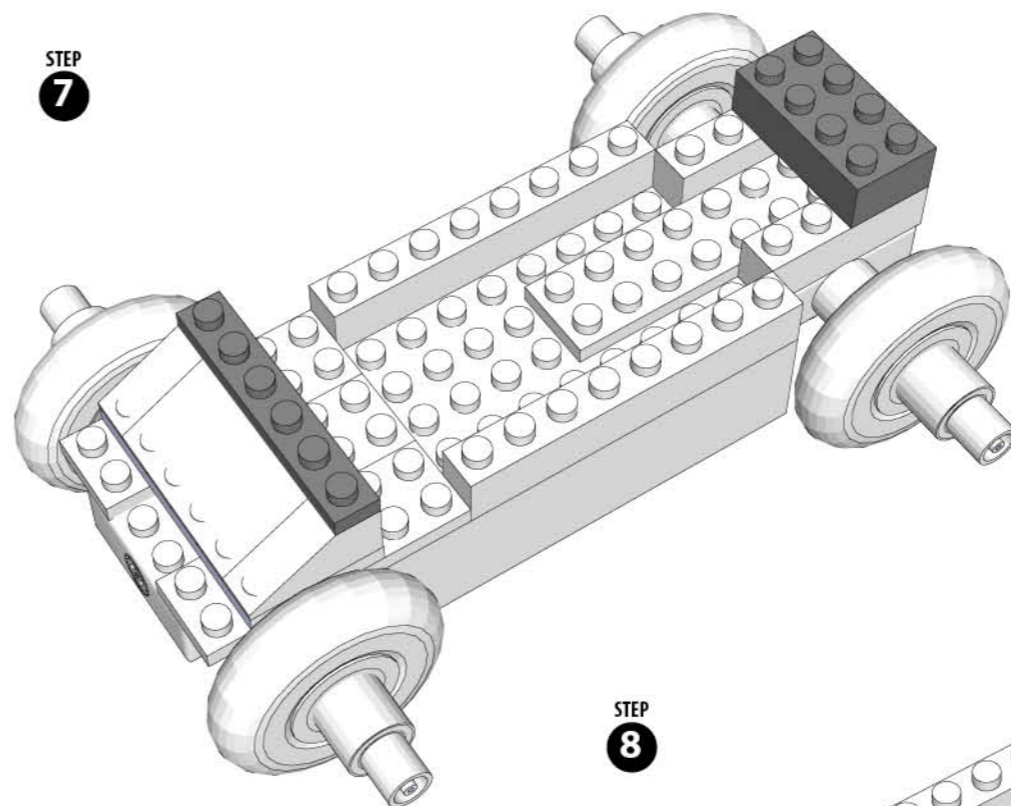
STEP
5



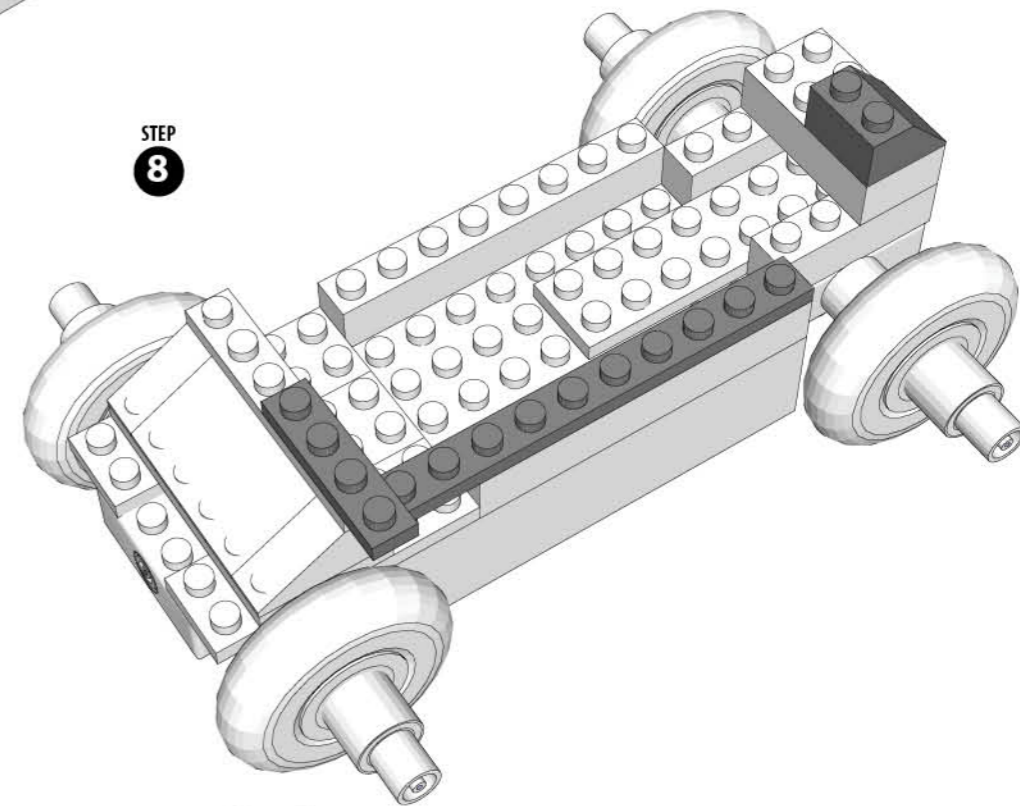
STEP
6



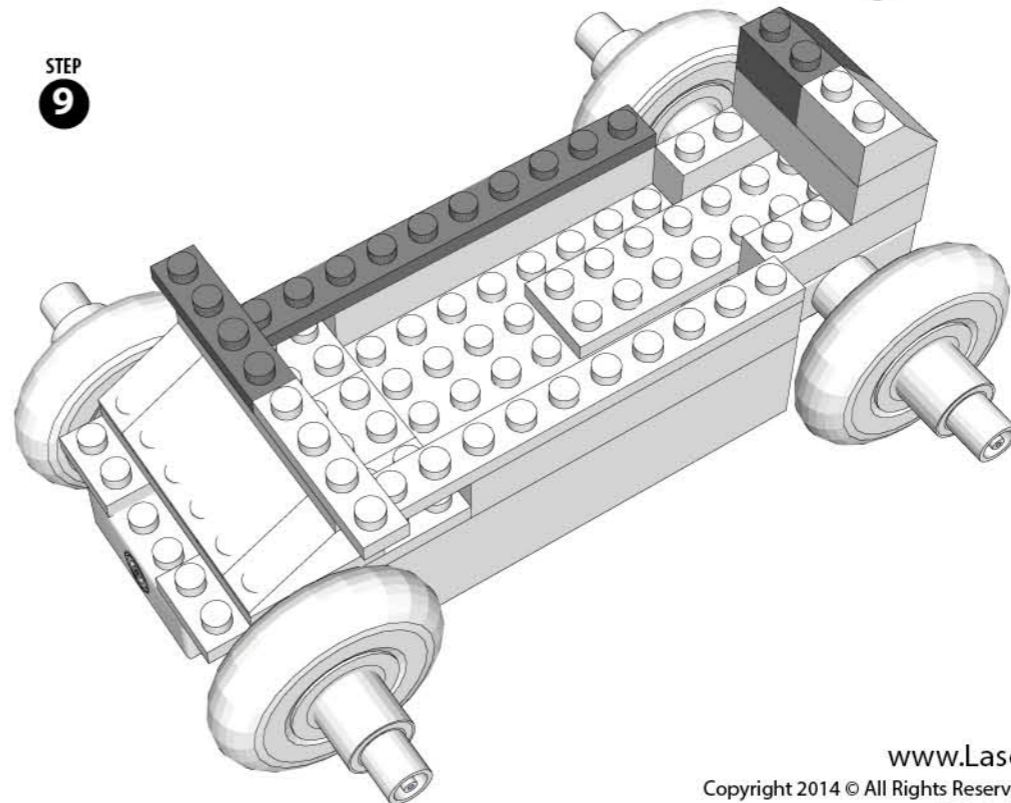
STEP
7



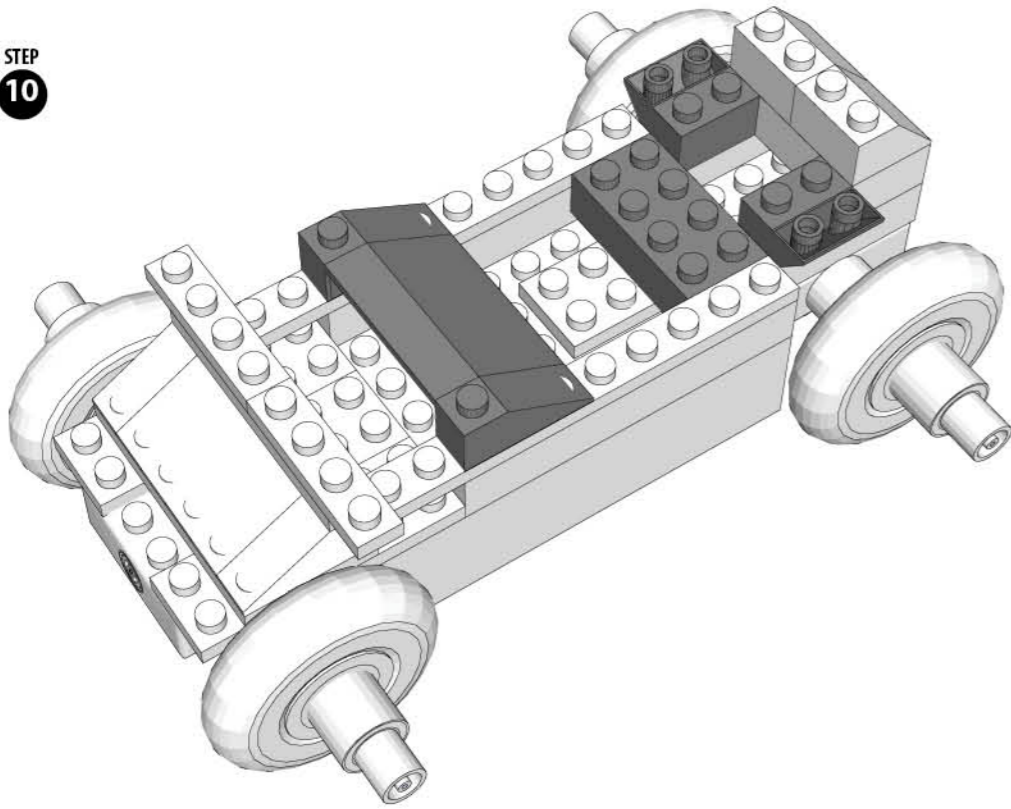
STEP
8



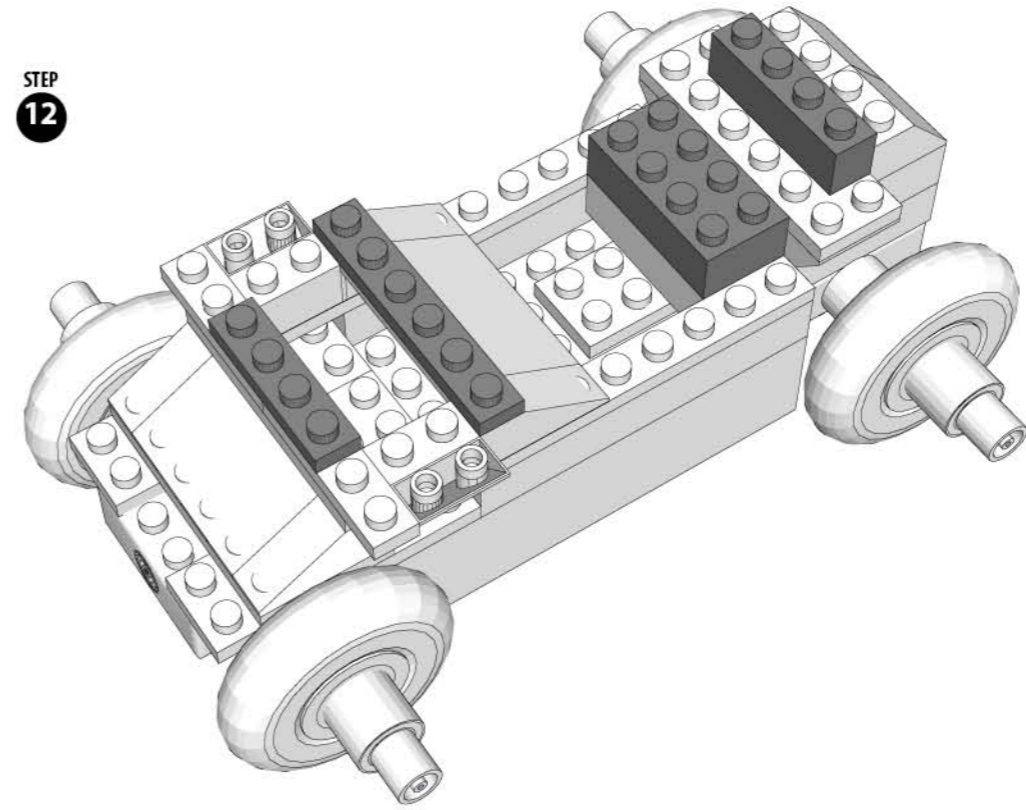
STEP
9



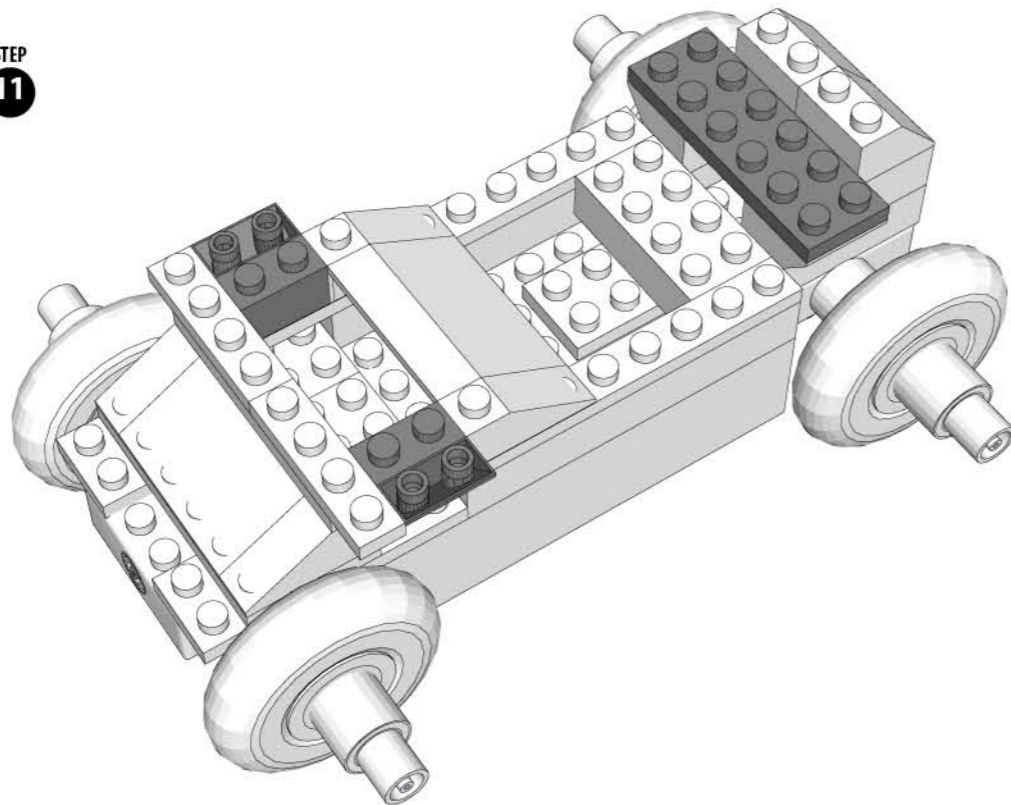
STEP
10



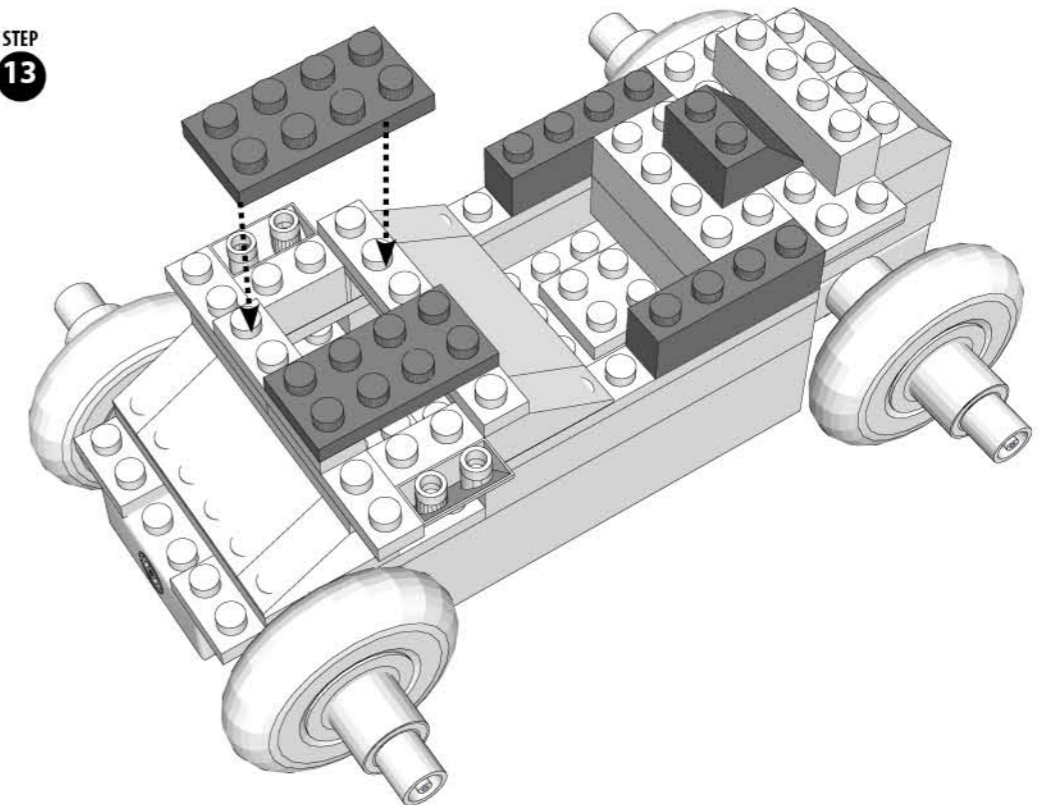
STEP
12



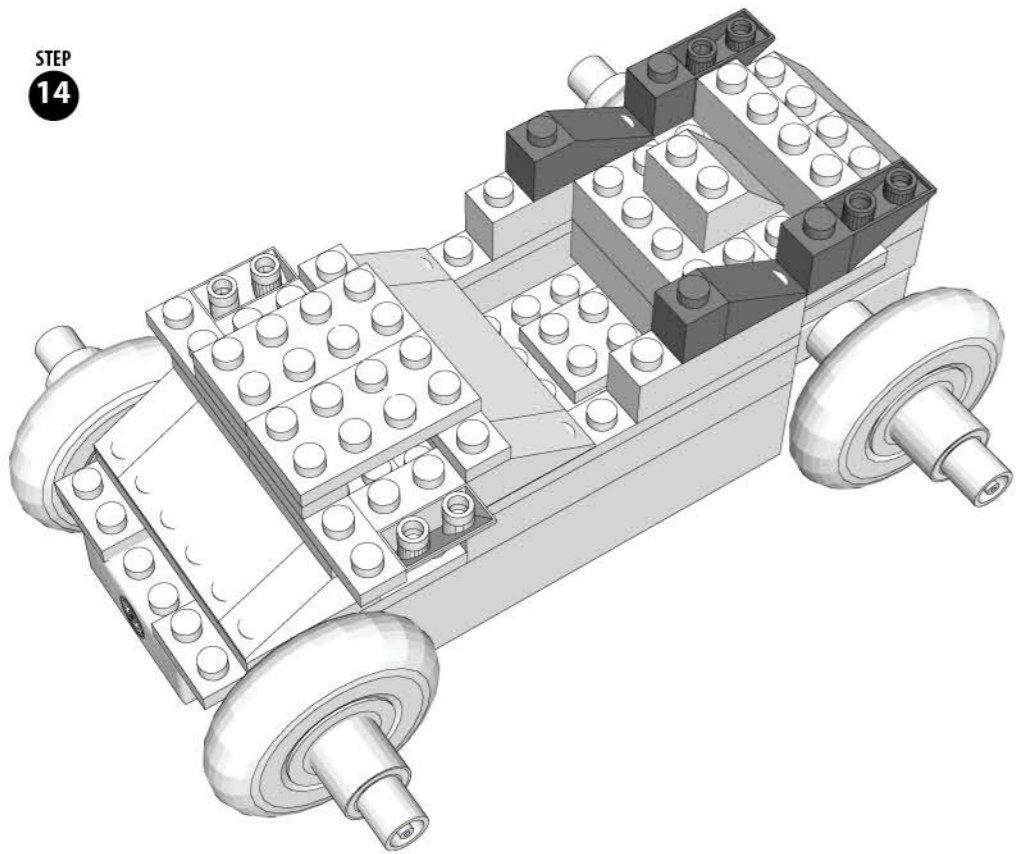
STEP
11



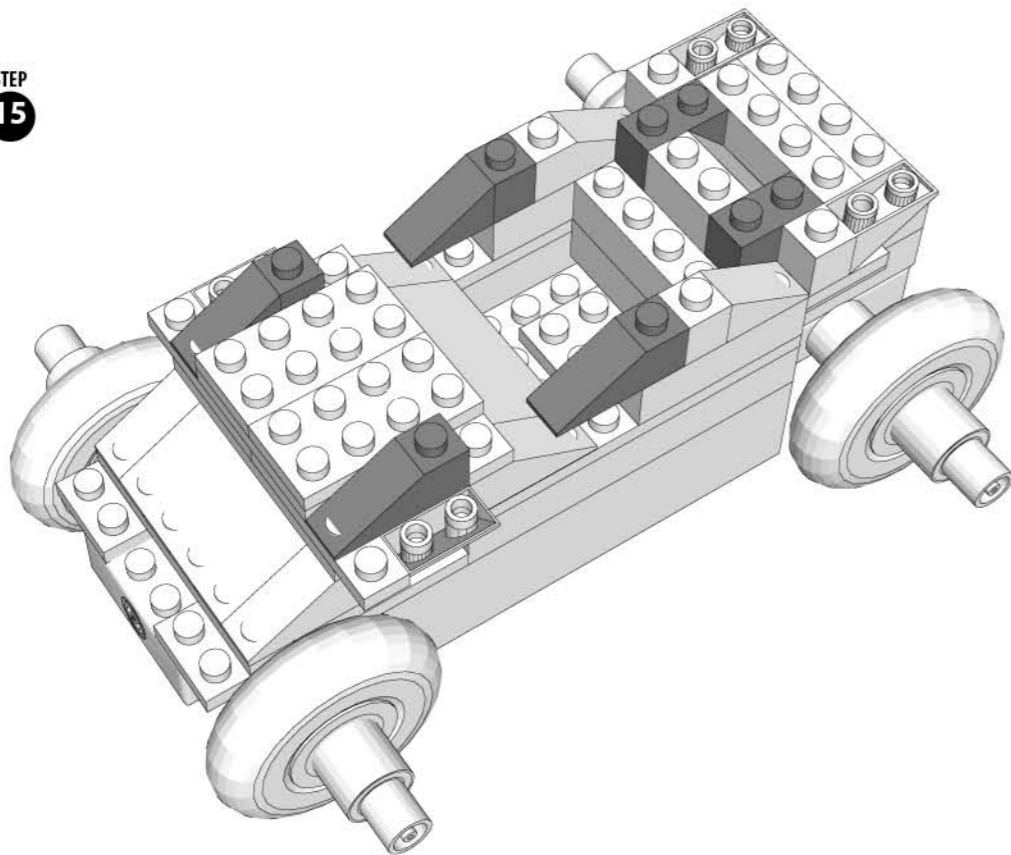
STEP
13



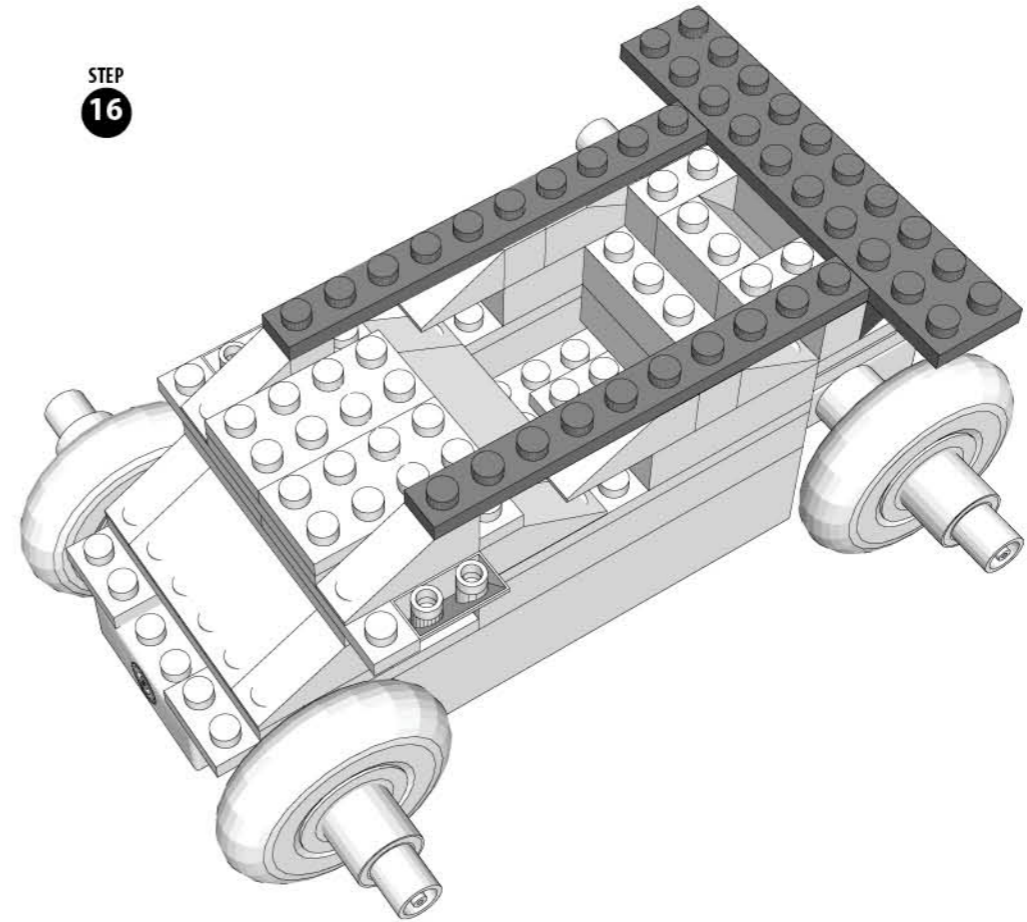
STEP
14



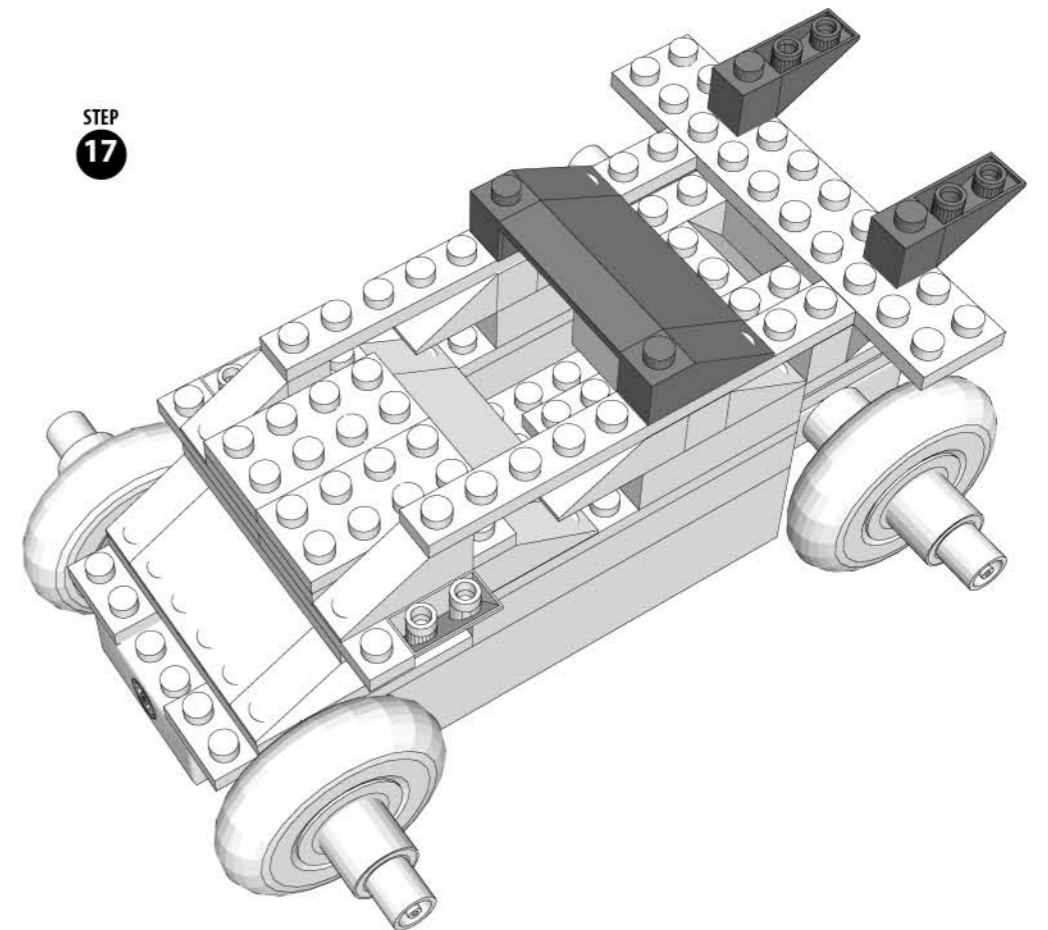
STEP
15



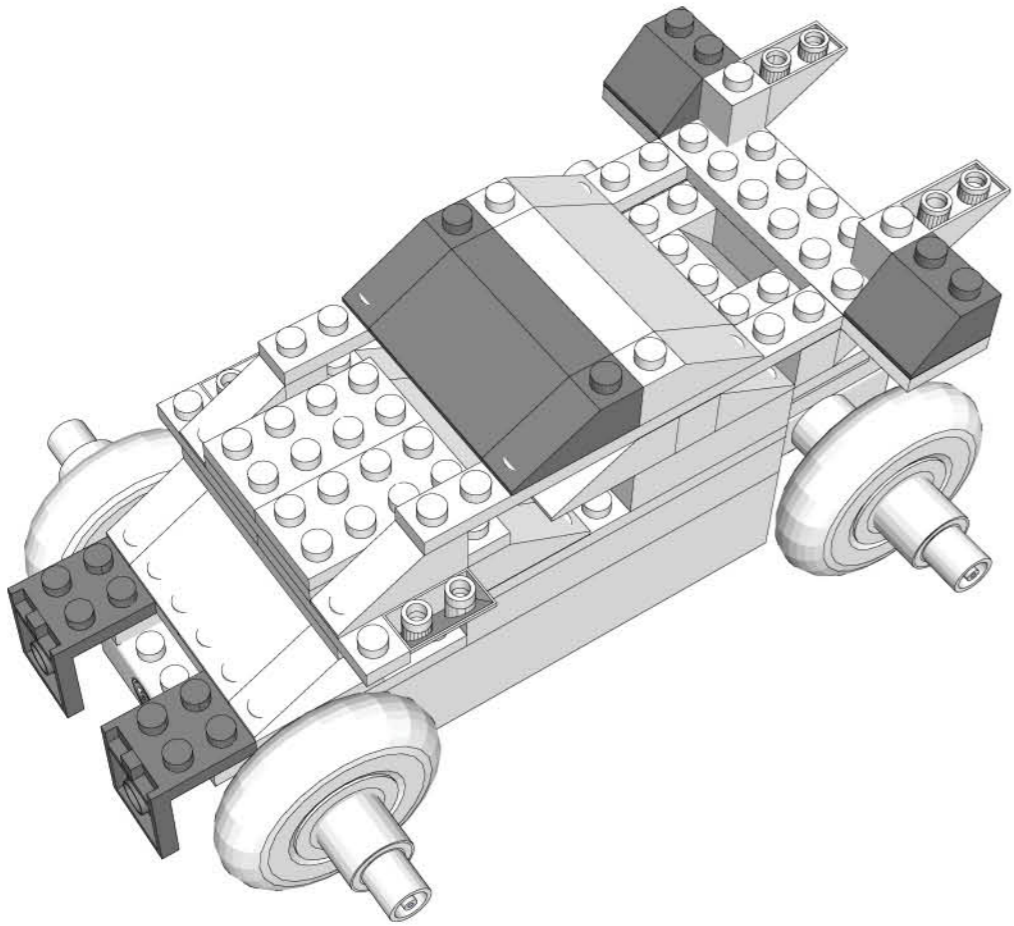
STEP
16



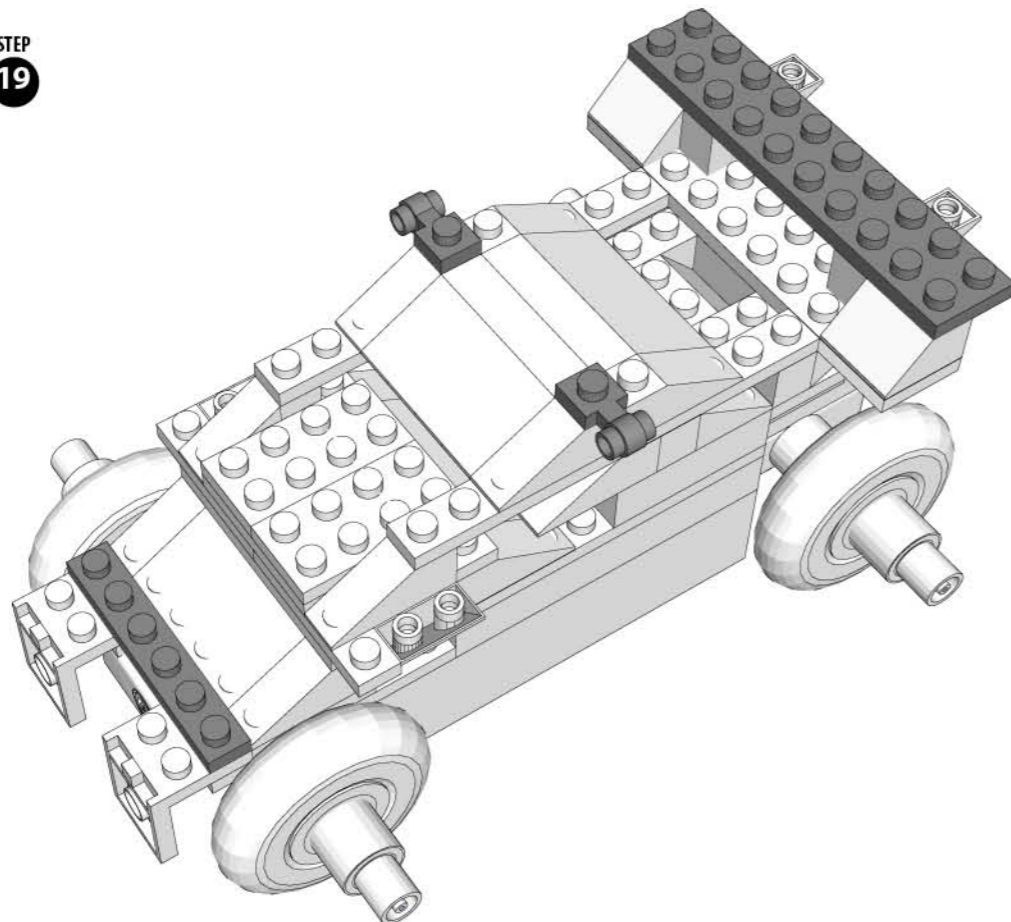
STEP
17



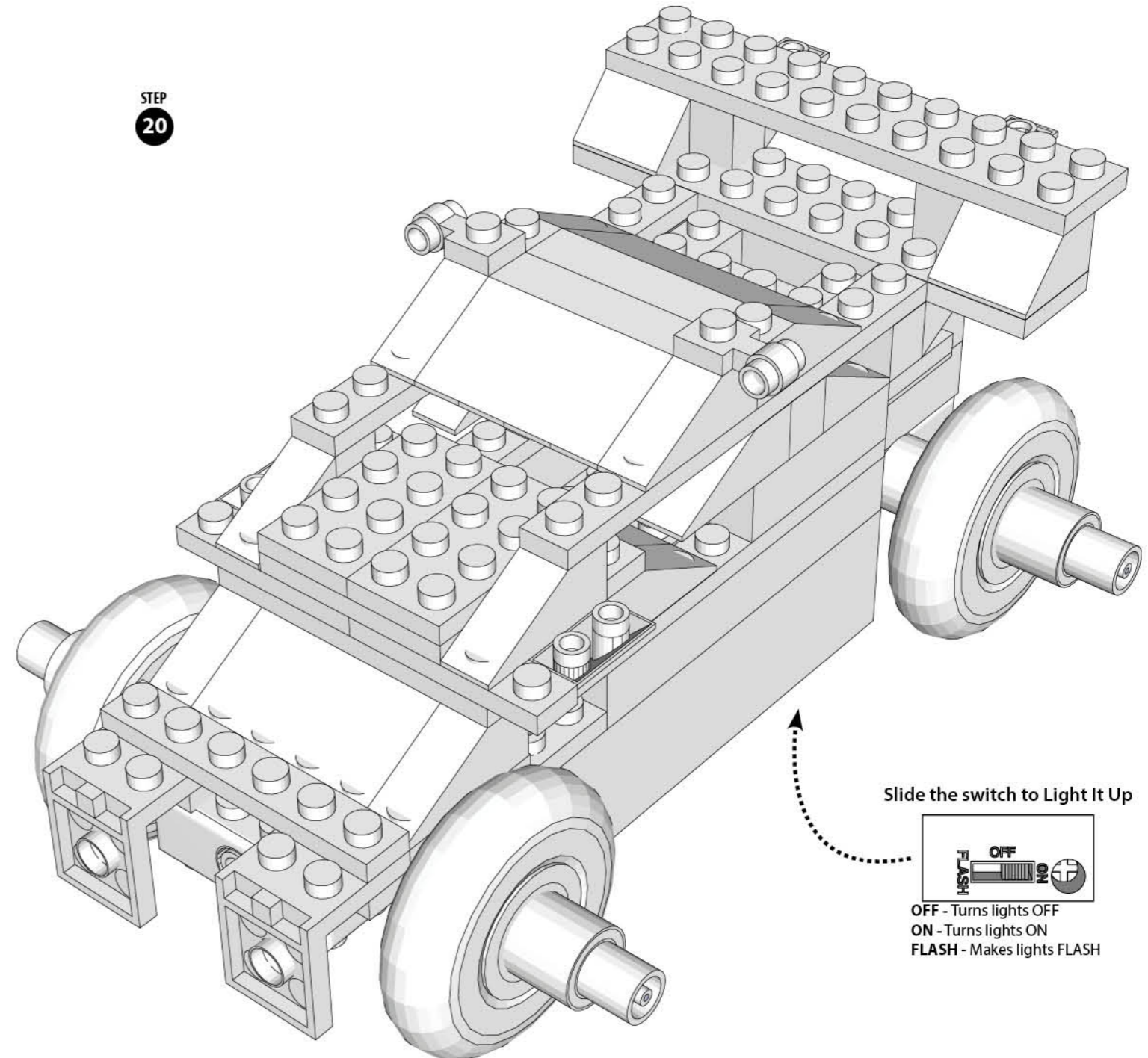
STEP
18



STEP
19



STEP
20



LASER PEGS®

The Ultimate Construction Toy For Kids®

PBI410B
POWER BLOCK
CAR SERIES

Ages 5+

8 Models+
Any creation you can build

LIGHTED
MOBILE POWER BLOCK™ SET
INCLUDES:

- 83 Tinted Bricks
- 4 Tire Pegs
- 2 Square M-M Pegs
- 1 Mobile Power Block™

Requires 3 AAA Batteries

Batteries NOT Included

WARNING: CHOKING HAZARD - Small parts. Not for children under 3 yrs. Do not submerge in water.

DO NOT SUBMERGE IN WATER

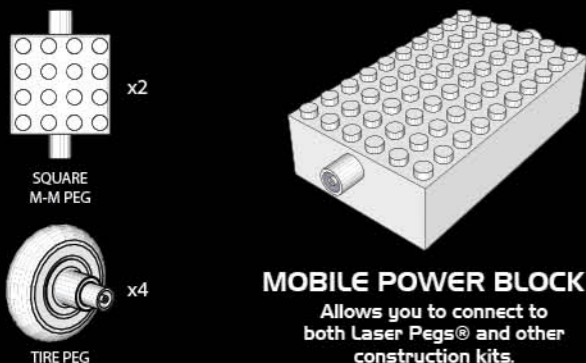
EN71, RoHS COMPLIANT

This product complies to all safety requirements of ASTM F 963

MODEL INSTRUCTIONS

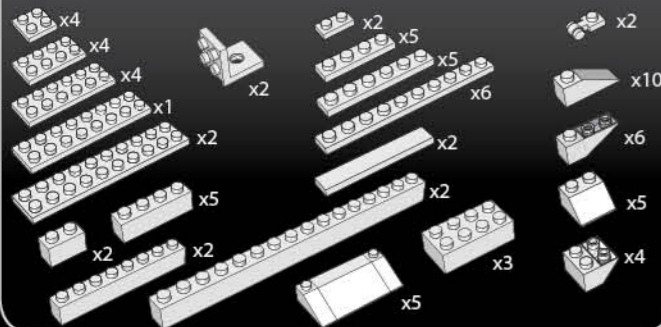
All additional model instructions can be downloaded at www.LaserPegs.com

Laser Pegs® Parts List



Color Code Each Laser Peg® is color coded on the circuit board inside each shape.

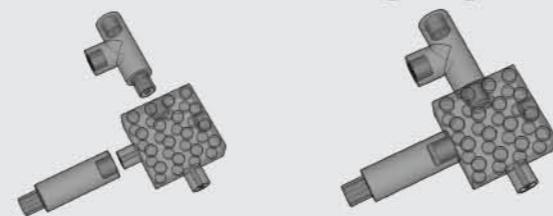
Tinted Bricks List



www.LaserPegs.com

This manual is copyright and cannot be reproduced or used online without Laser Pegs® Ventures LLC permission. Copyright 2014 © All Rights Reserved US Patent #7,731,558 Additional Global & Multiple Patents Pending. Laser Pegs® Ventures LLC, 8304 Consumer Ct., Sarasota FL 34240. Contact: Support@LaserPegs.com

Connecting Pegs



To construct with Laser Pegs®, slide two pieces together to form a connection. Slide each piece on and off smoothly.

POWER BLOCK

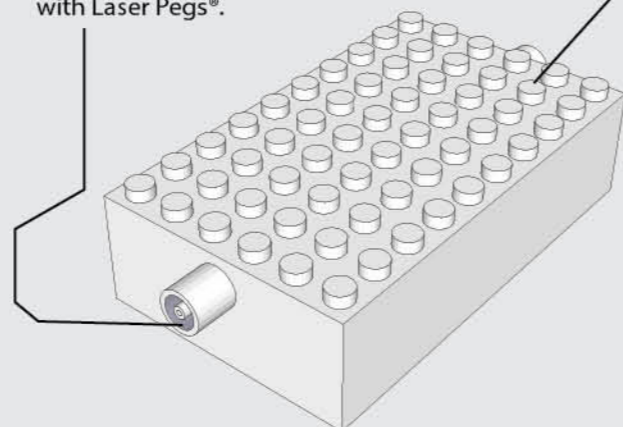
The Power Block is a Power Base that allows you to build with Laser Pegs® and construction parts to build models that light up. It is battery operated. (BATTERIES NOT INCLUDED.)

Laser Pegs® Connections

Allows you to construct with Laser Pegs®.

Construction Part Connections

Allows you to connect to other construction kits.

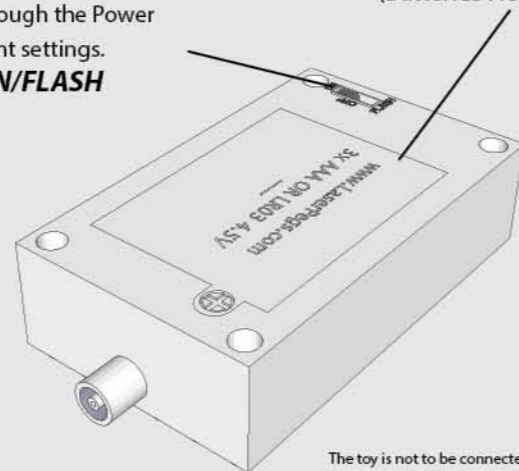


Power Switch

Move the Power Switch to cycle through the Power Block light settings.
OFF/ON/FLASH

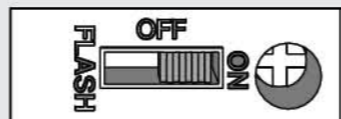
Battery Compartment

Requires 3-AAA Batteries (Batteries Not Included)



LIGHT SETTINGS

OFF - Turns lights OFF
ON - Turns lights ON
FLASH - Makes lights FLASH



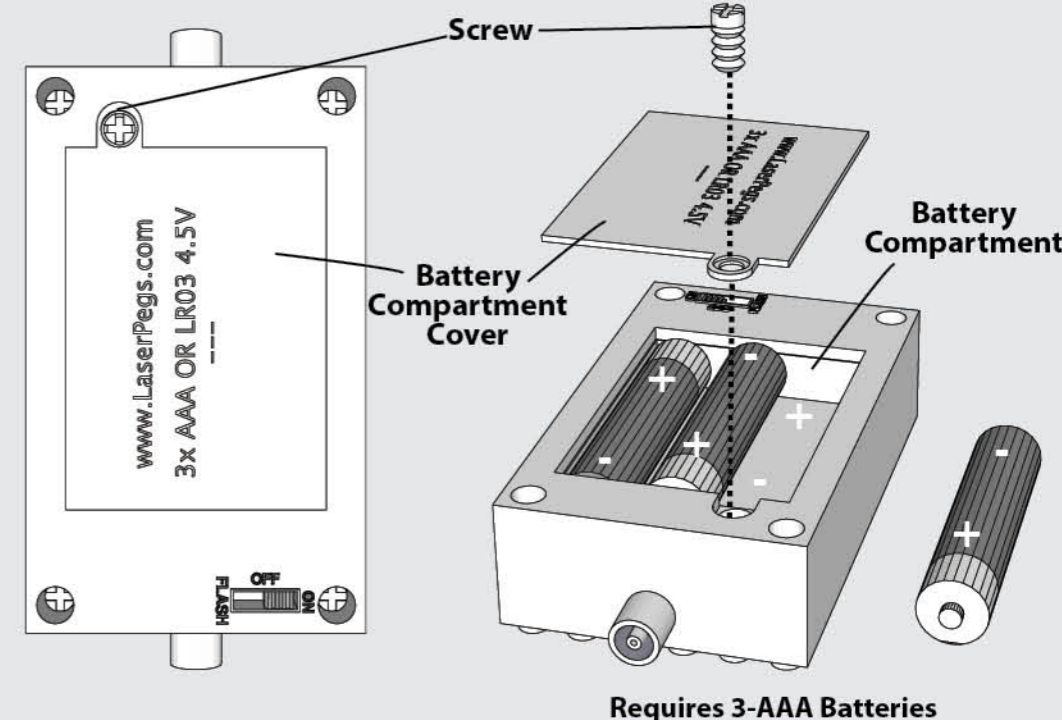
WARNING: STROBE LIGHTS MAY CAUSE SEIZURES

WARNING! Each Laser Peg® draws current from the batteries. Therefore, the more pegs you use, the quicker you will deplete your battery power! As the power weakens, the current will slowly fail and some Laser Pegs® will illuminate (typically the reds and yellows) and some won't. When the Laser Pegs® dim, the Laser Pegs® are not broken, they just need stronger batteries. You have 2 simple options...
1. Change the batteries.
2. Use high quality batteries. They will last a little longer, but they will still deplete rapidly the more Laser Pegs® you connect!

Replacing Batteries

1. Remove Screw.
2. Lift off Battery Compartment Cover.
3. Place three (3) AAA batteries in the correct position - as displayed inside of the Power Block.
4. Replace Battery Compartment Cover and Screw.
5. Slide Power Switch setting to OFF/ON/FLASH.
6. Do not mix old and new batteries.
7. Do not mix alkaline, standard (carbon-zinc), or rechargeable (nickel-cadmium, NiMH) batteries!
8. Exhausted batteries are to be removed from the power base.
9. Never connect more than 30 Laser Pegs® at one time!
10. Non-rechargeable batteries are not to be recharged.
11. Rechargeable batteries are only to be recharged under adult supervision.
12. Rechargeable batteries are to be removed from the toy before being recharged.
13. Batteries are to be inserted with the correct polarity.
14. The supply terminals are not to be short-circuited.
15. DO NOT THROW BATTERIES INTO FIRE!

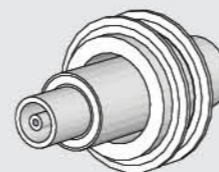
Remove the Phillips head screw with a 4mm screw driver.
Requires 3-AAA Batteries
Batteries NOT Included



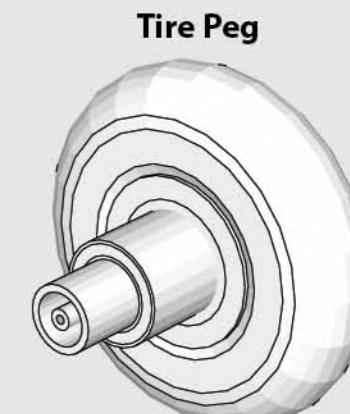
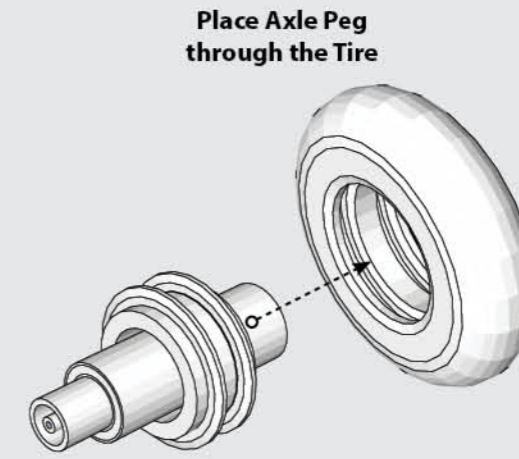
Connecting the Laser Pegs® Tire to the Axle Peg



Tire Peg



Axle Peg

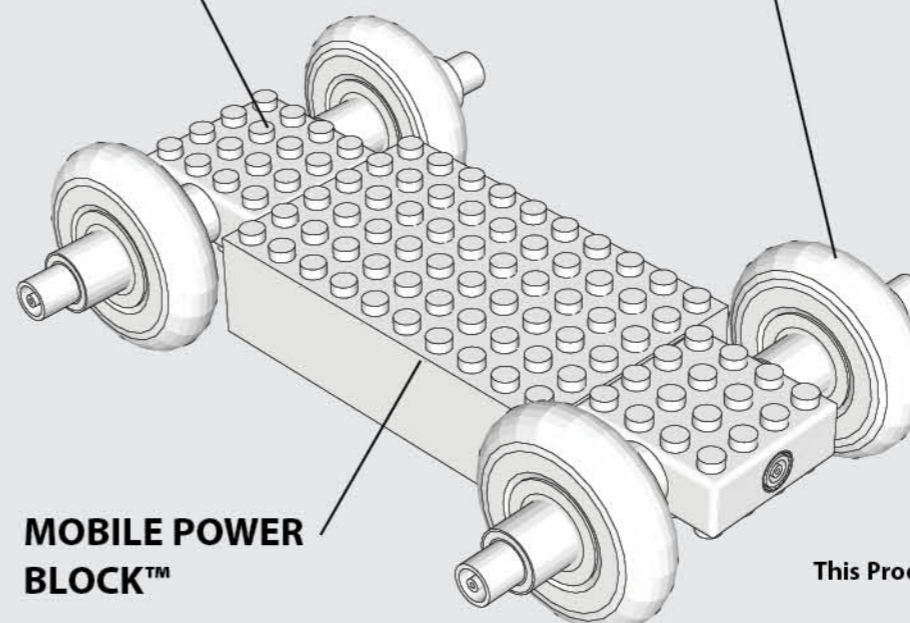


POWER BLOCK™

Use the Laser Pegs® Square M-M Peg to attach the Tire Pegs to the Power Block™.

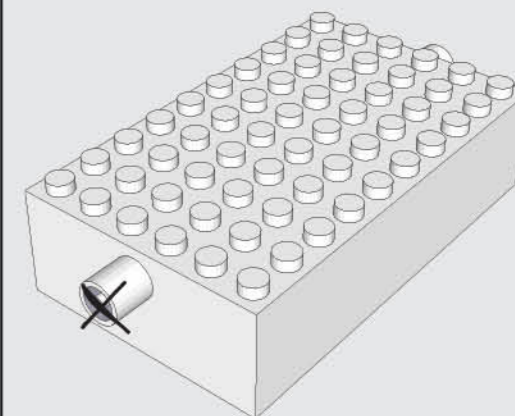
Laser Pegs® Square M-M Peg

Tire Peg



AVOID DAMAGE TO PEG HOLES

*To avoid short-circuits, keep metal objects and other unauthorized materials from obstructing the peg holes.



Never connect more than 30 Laser Pegs® to the Power Block at one time.

This Product contains a button battery. If swallowed, it could cause severe injury or death in just 2 hours. Seek medical attention immediately.

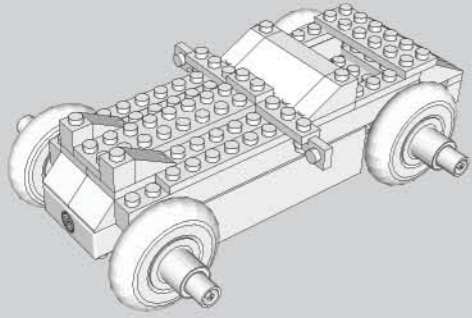
ROADSTER: Traditionally, roadsters did not have any windows or doors, which is why drivers wore goggles and were in good shape.



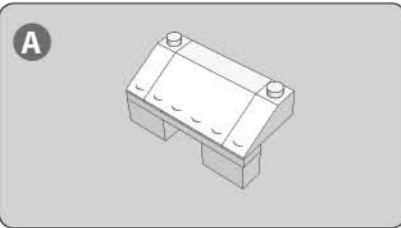
ROADSTER

Model
Difficulty
Level

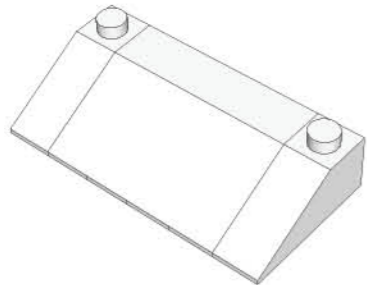
2



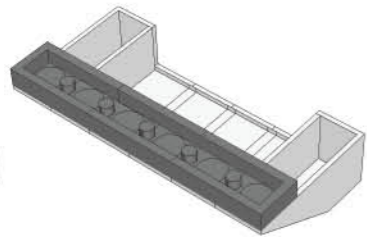
The TRY-ME mechanism is for display purposes ONLY and should be discarded as per state and local regulations. It is NOT intended to be used for the building of this model.



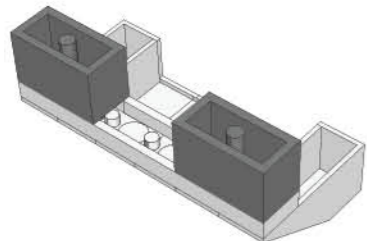
STEP 1



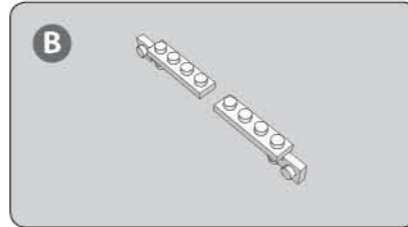
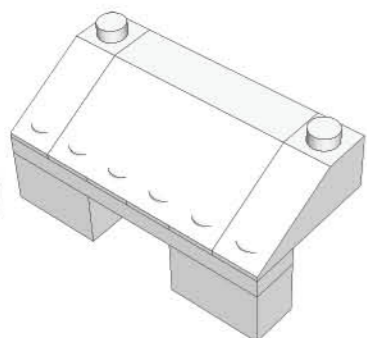
STEP 2



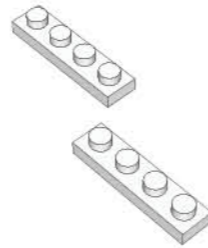
STEP 3



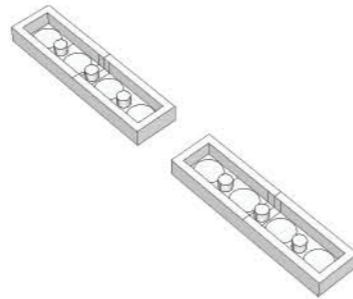
STEP 4



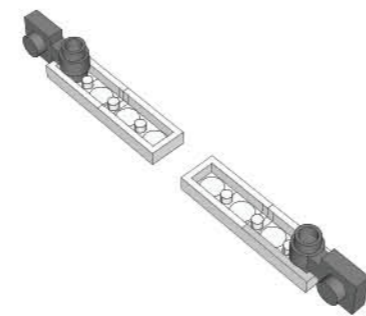
STEP 5



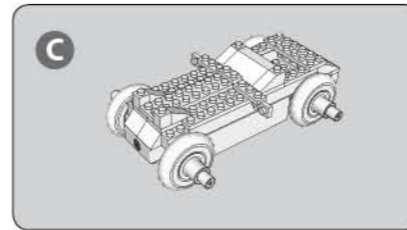
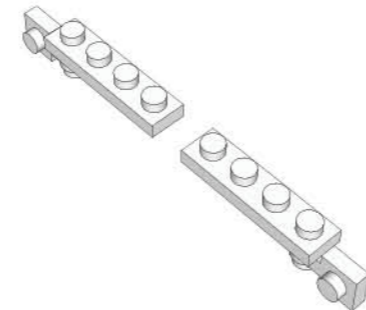
STEP 6



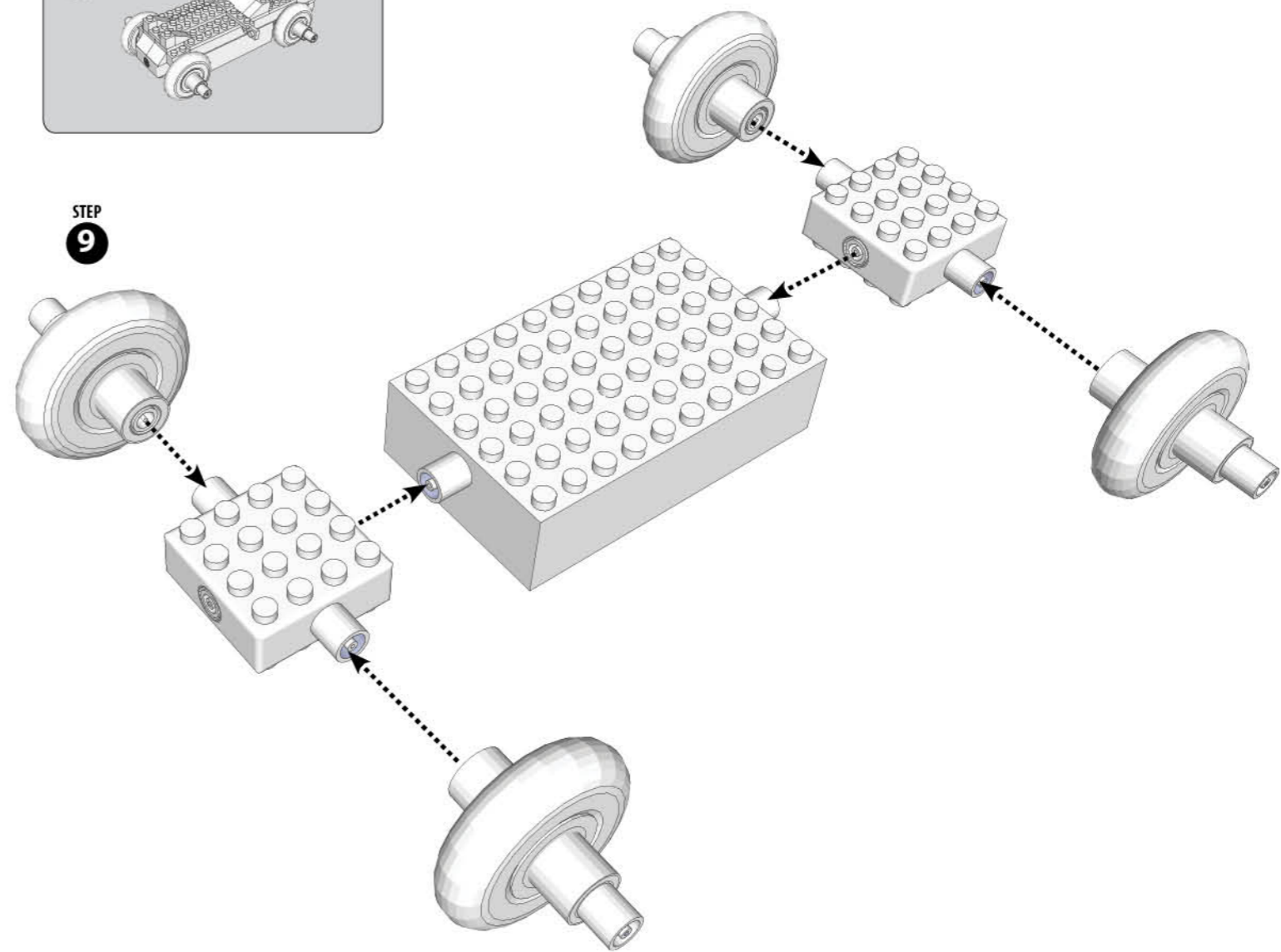
STEP 7



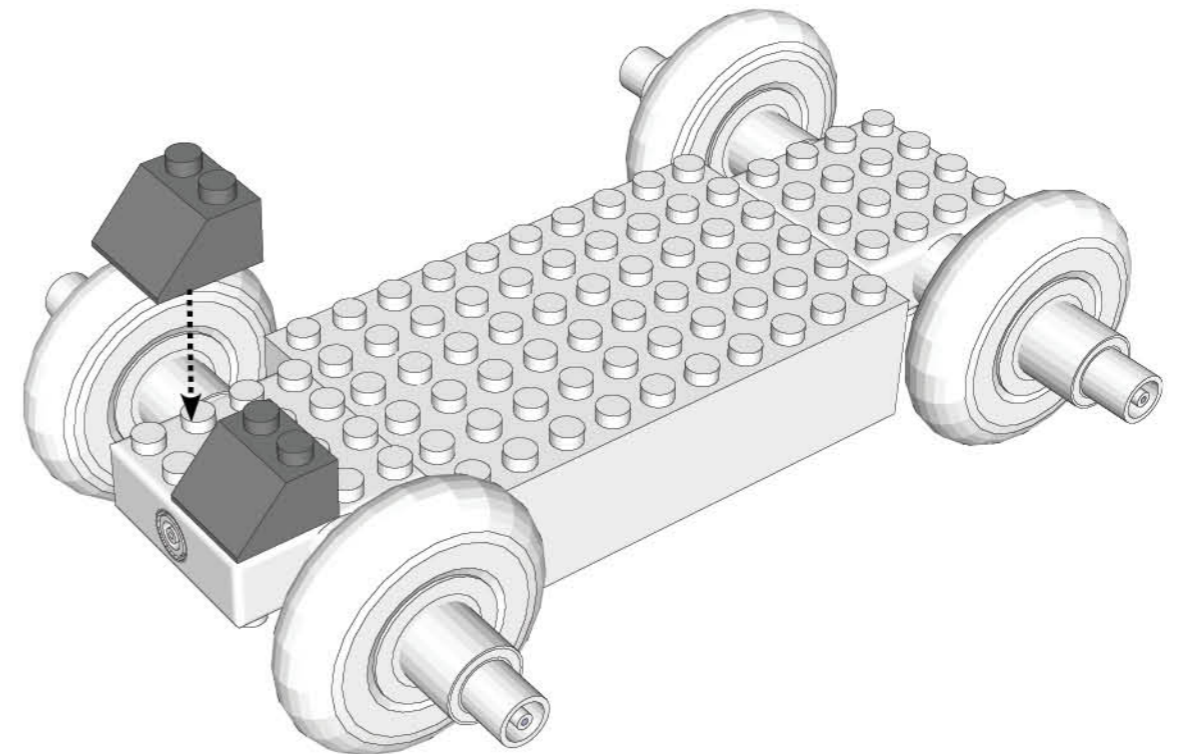
STEP 8



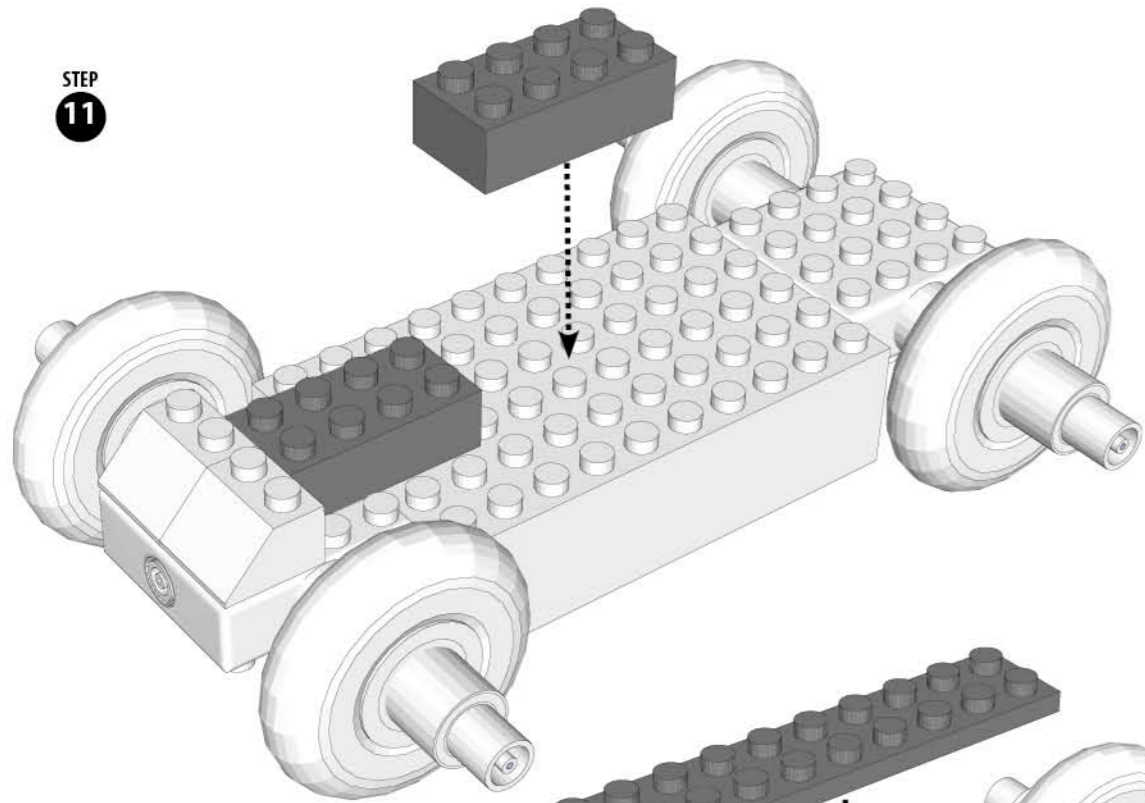
STEP 9



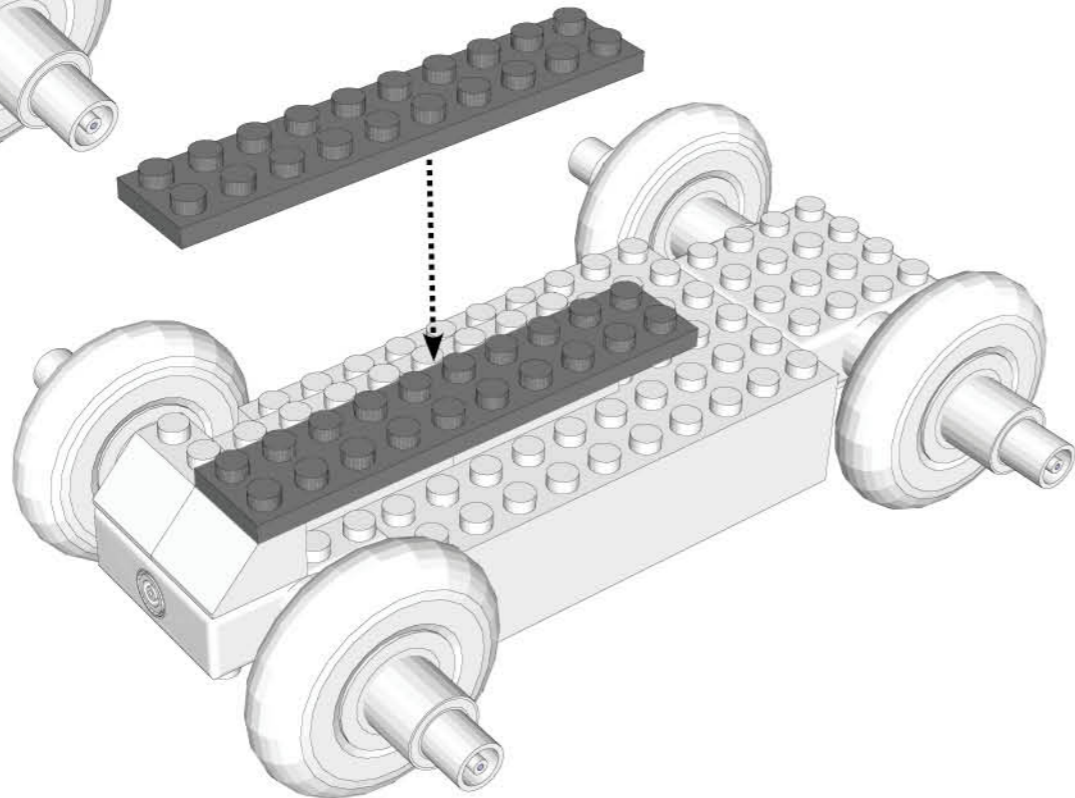
STEP 10



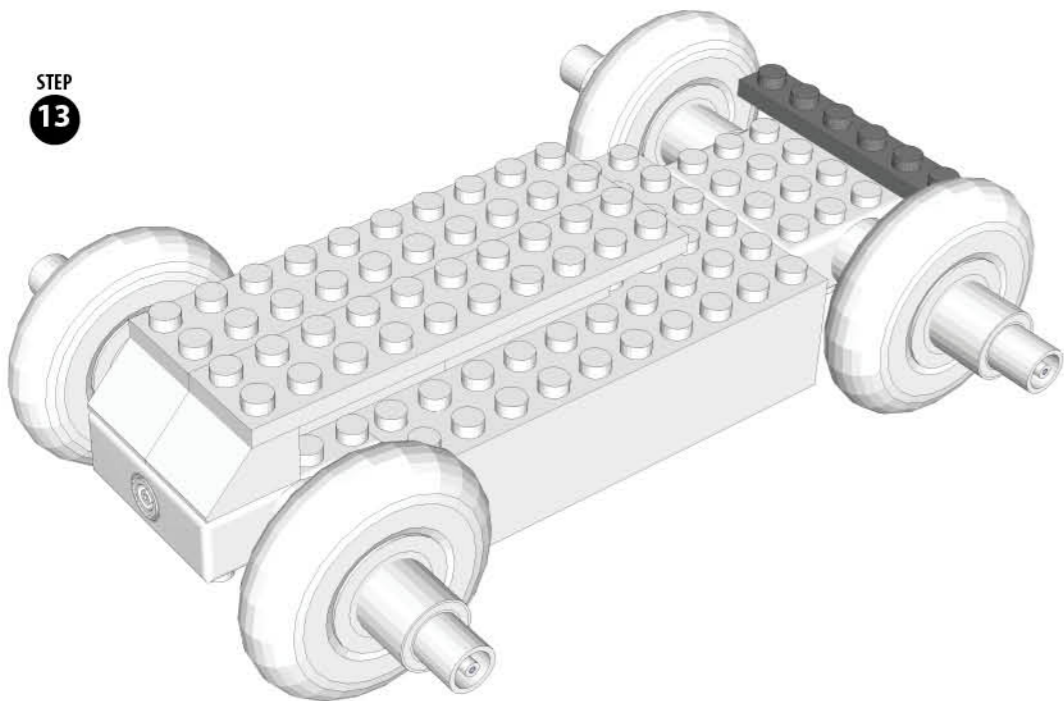
STEP
11



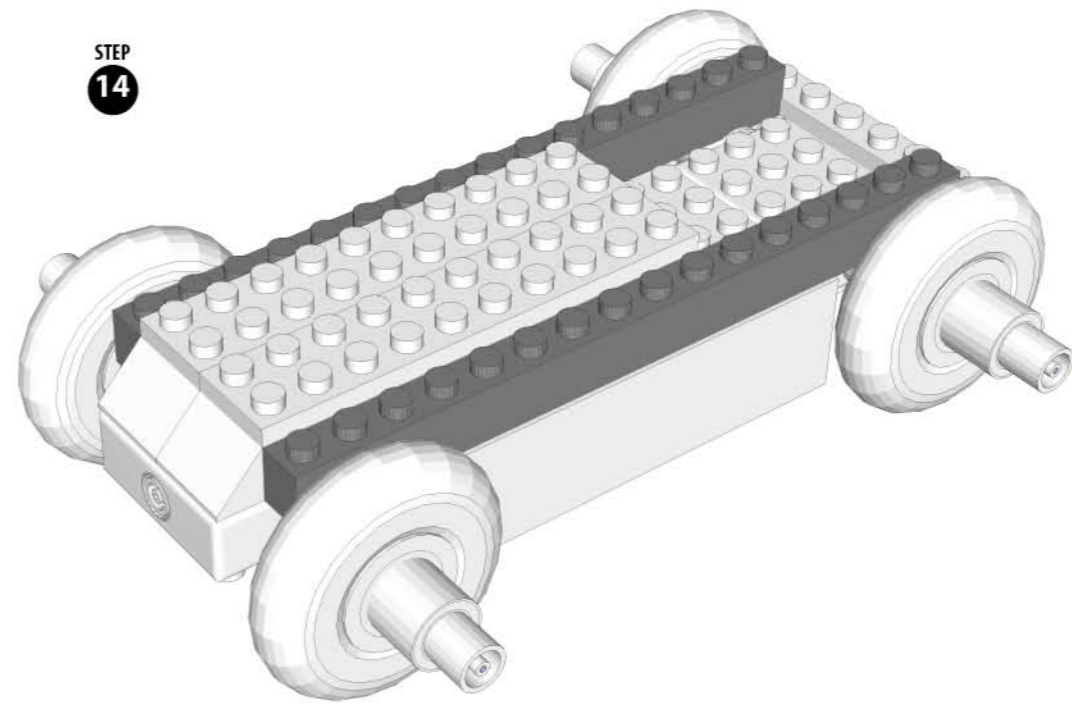
STEP
12



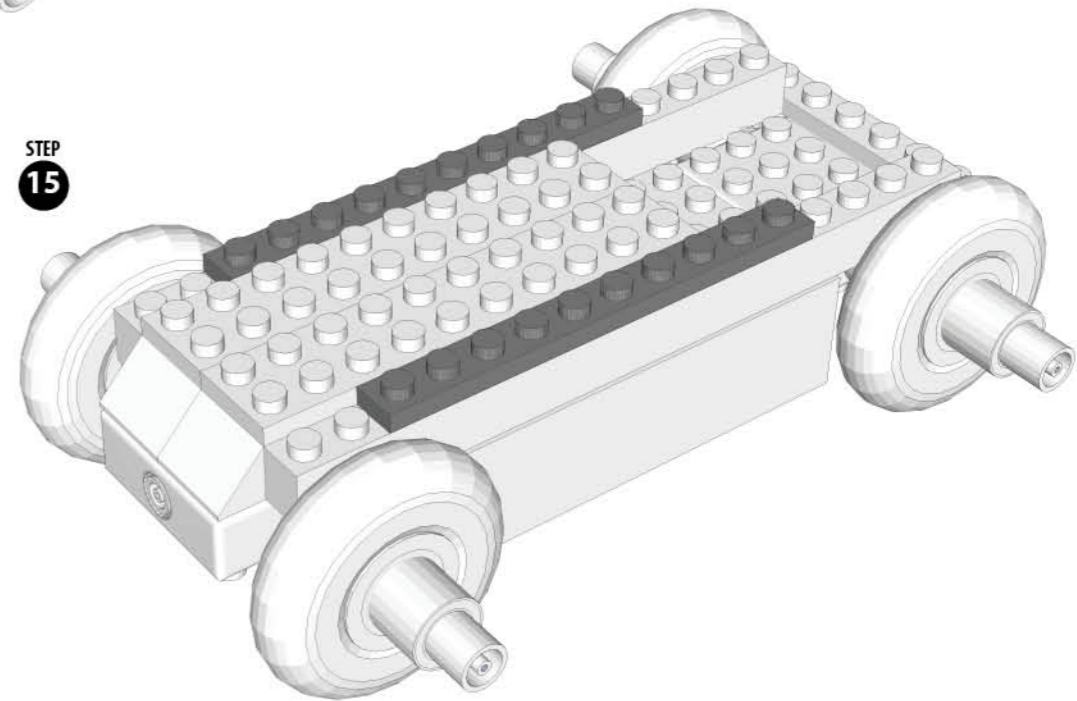
STEP
13



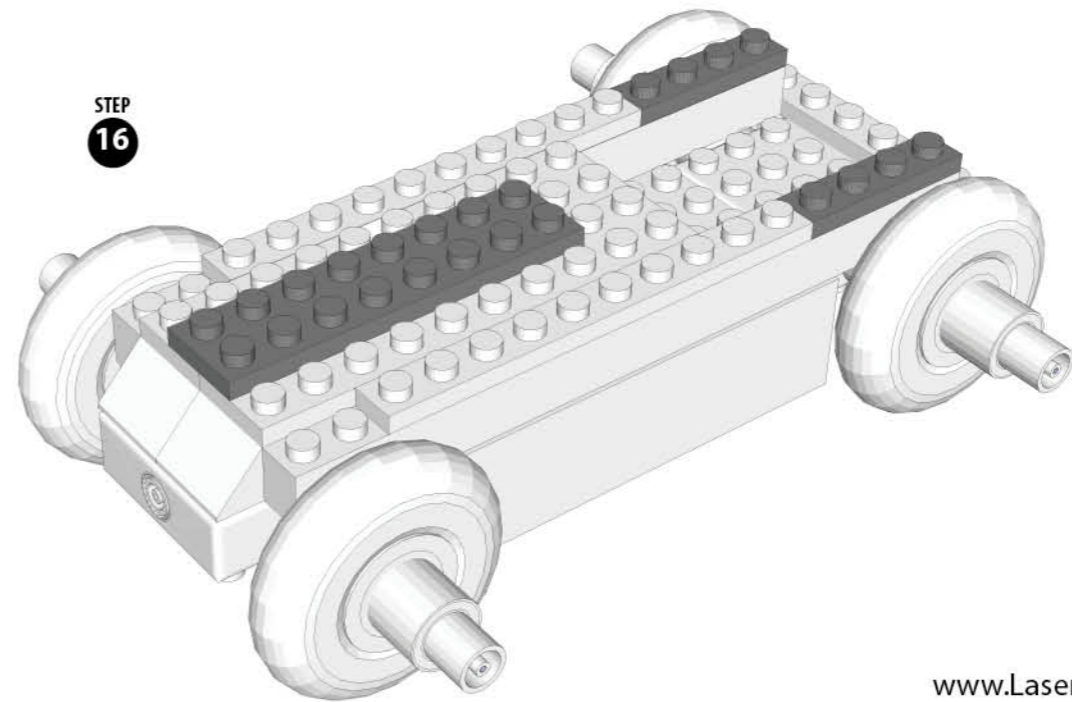
STEP
14

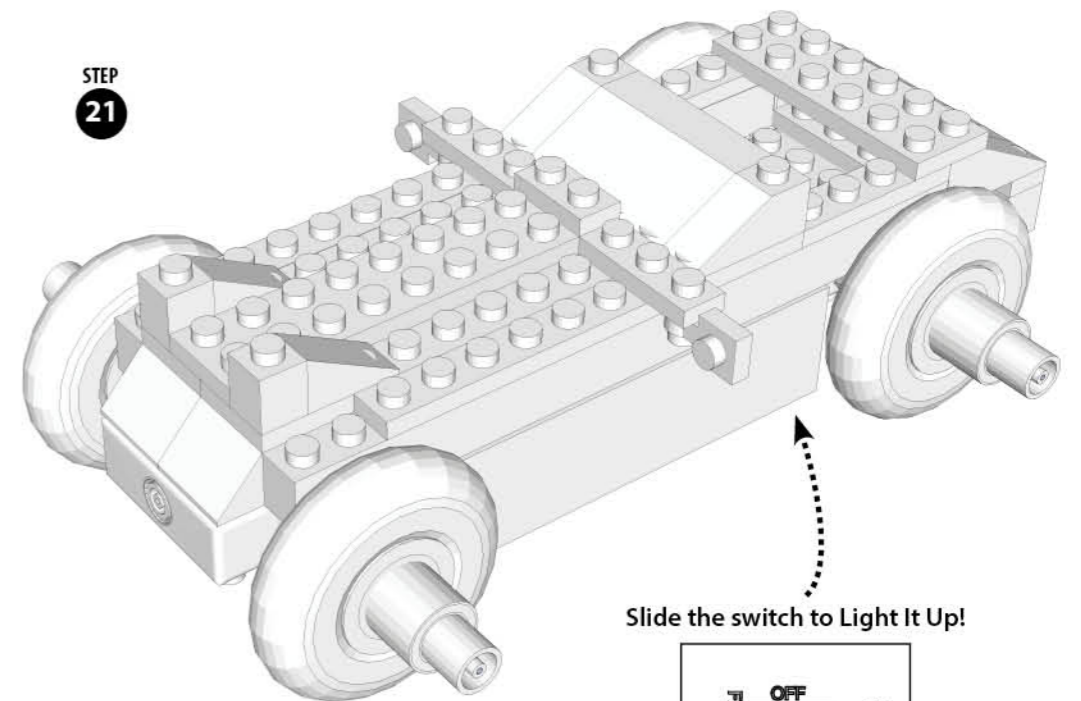
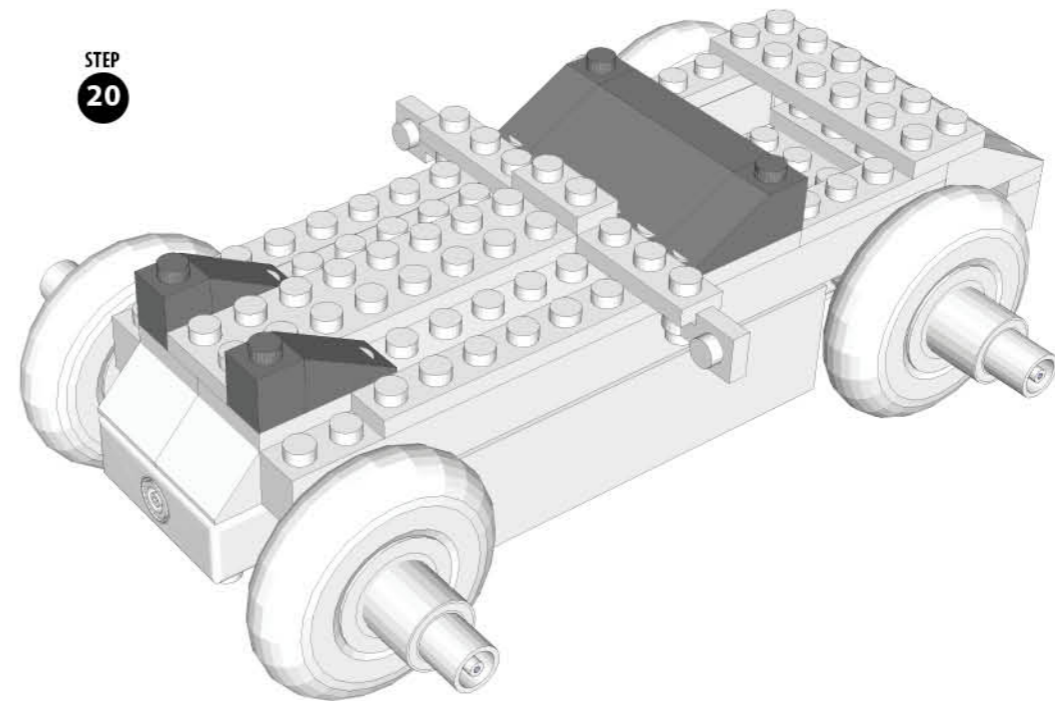
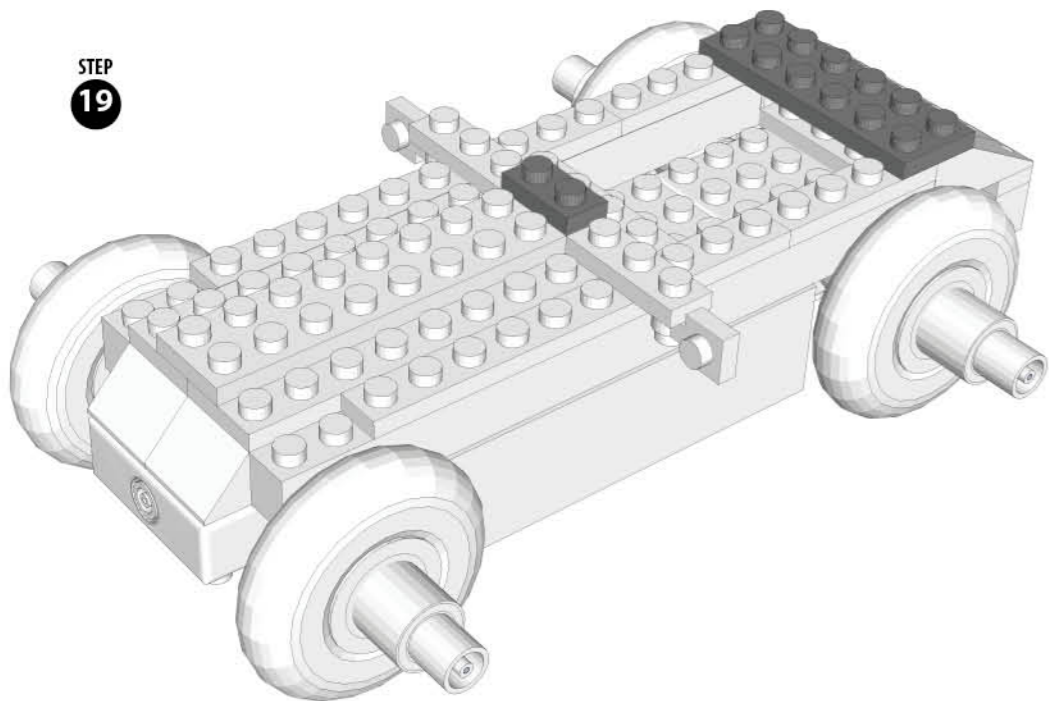
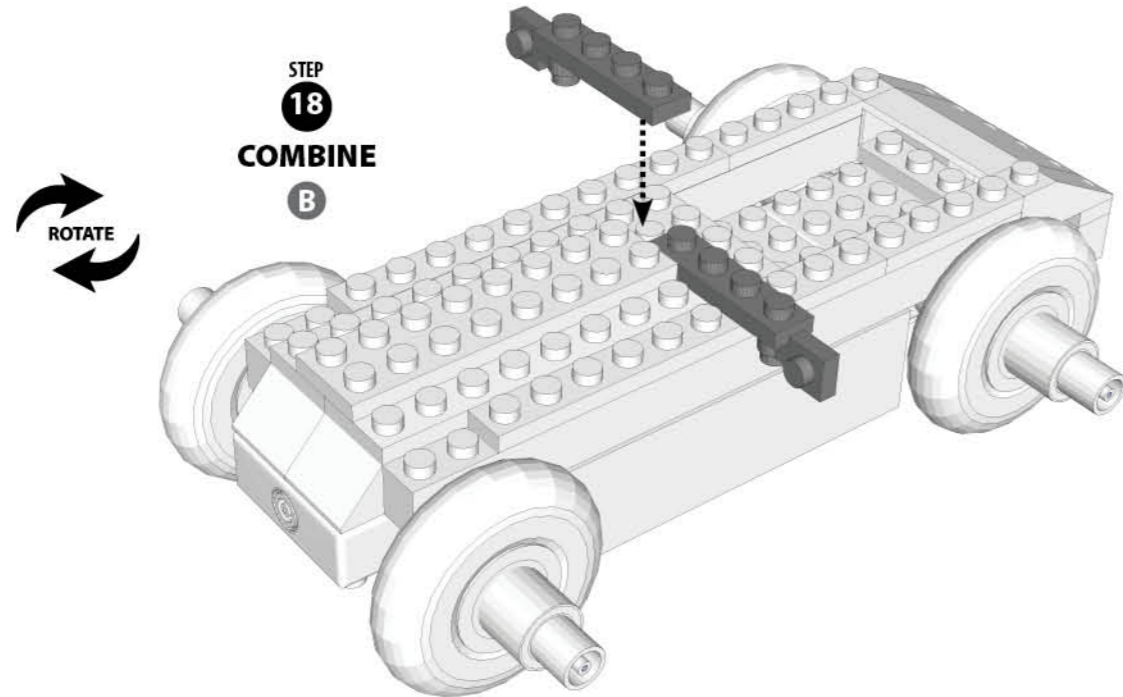
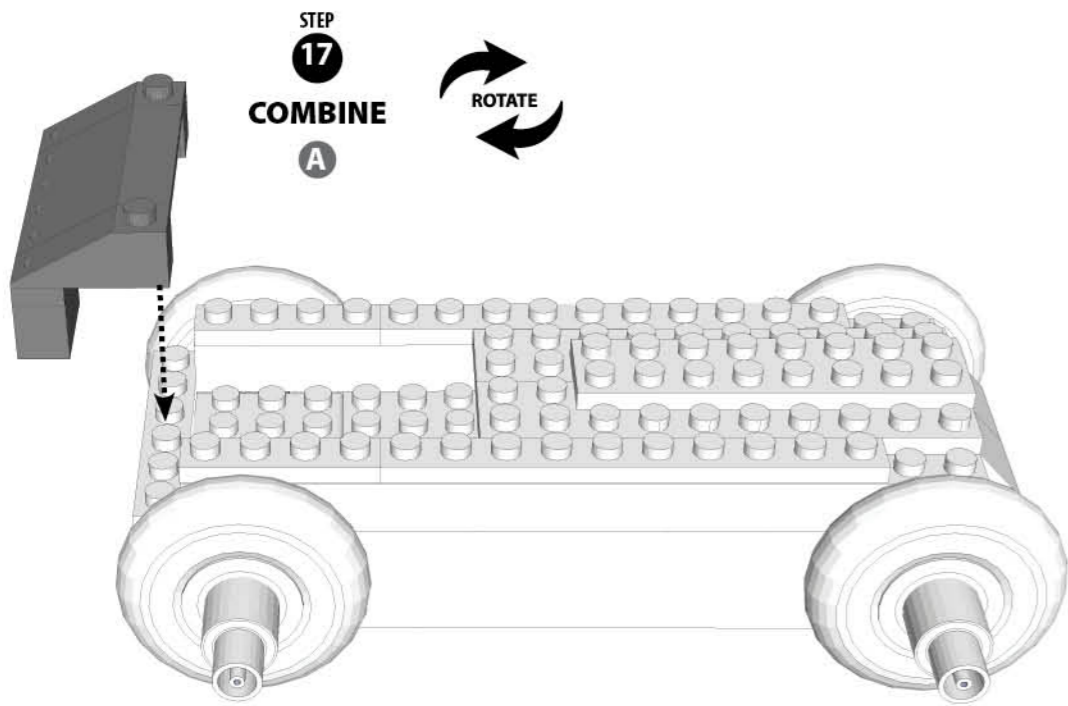


STEP
15



STEP
16





Slide the switch to Light It Up!



OFF - Turns lights OFF
ON - Turns lights ON
FLASH - Makes lights FLASH

LASER PEGS®

The Ultimate Construction Toy For Kids®

PBI410B
POWER BLOCK
CAR SERIES

Ages 5+

8 Models+
Any creation you can build

LIGHTED
MOBILE POWER BLOCK™ SET
INCLUDES:

- 83 Tinted Bricks
- 4 Tire Pegs
- 2 Square M-M Pegs
- 1 Mobile Power Block™

Requires 3 AAA Batteries

Batteries NOT Included

WARNING: CHOKING HAZARD - Small parts. Not for children under 3 yrs. Do not submerge in water.

DO NOT SUBMERGE IN WATER

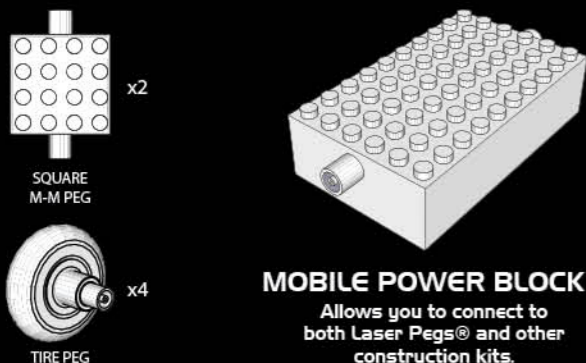
EN71, RoHS COMPLIANT

This product complies to all safety requirements of ASTM F 963

MODEL INSTRUCTIONS

All additional model instructions can be downloaded at www.LaserPegs.com

Laser Pegs® Parts List



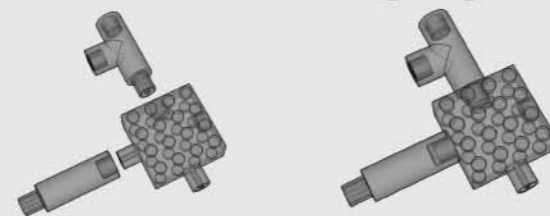
Color Code Each Laser Peg® is color coded on the circuit board inside each shape.



www.LaserPegs.com

This manual is copyright and cannot be reproduced or used online without Laser Pegs® Ventures LLC permission. Copyright 2014 © All Rights Reserved US Patent #7,731,558 Additional Global & Multiple Patents Pending. Laser Pegs® Ventures LLC, 8304 Consumer Ct., Sarasota FL 34240. Contact: Support@LaserPegs.com

Connecting Pegs



To construct with Laser Pegs®, slide two pieces together to form a connection. Slide each piece on and off smoothly.

POWER BLOCK

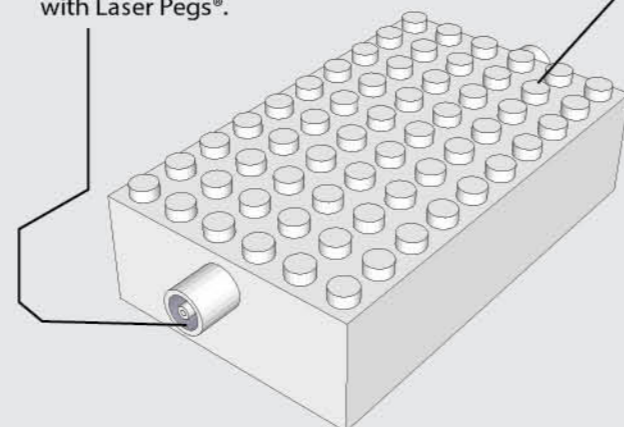
The Power Block is a Power Base that allows you to build with Laser Pegs® and construction parts to build models that light up. It is battery operated. (BATTERIES NOT INCLUDED.)

Laser Pegs® Connections

Allows you to construct with Laser Pegs®.

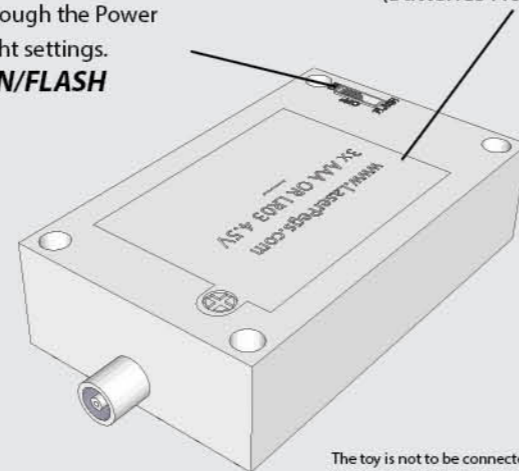
Construction Part Connections

Allows you to connect to other construction kits.



Power Switch

Move the Power Switch to cycle through the Power Block light settings.
OFF/ON/FLASH

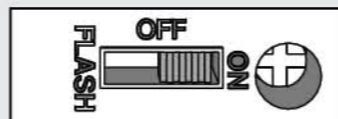


Battery Compartment

Requires 3-AAA Batteries (Batteries Not Included)

LIGHT SETTINGS

OFF - Turns lights OFF
ON - Turns lights ON
FLASH - Makes lights FLASH



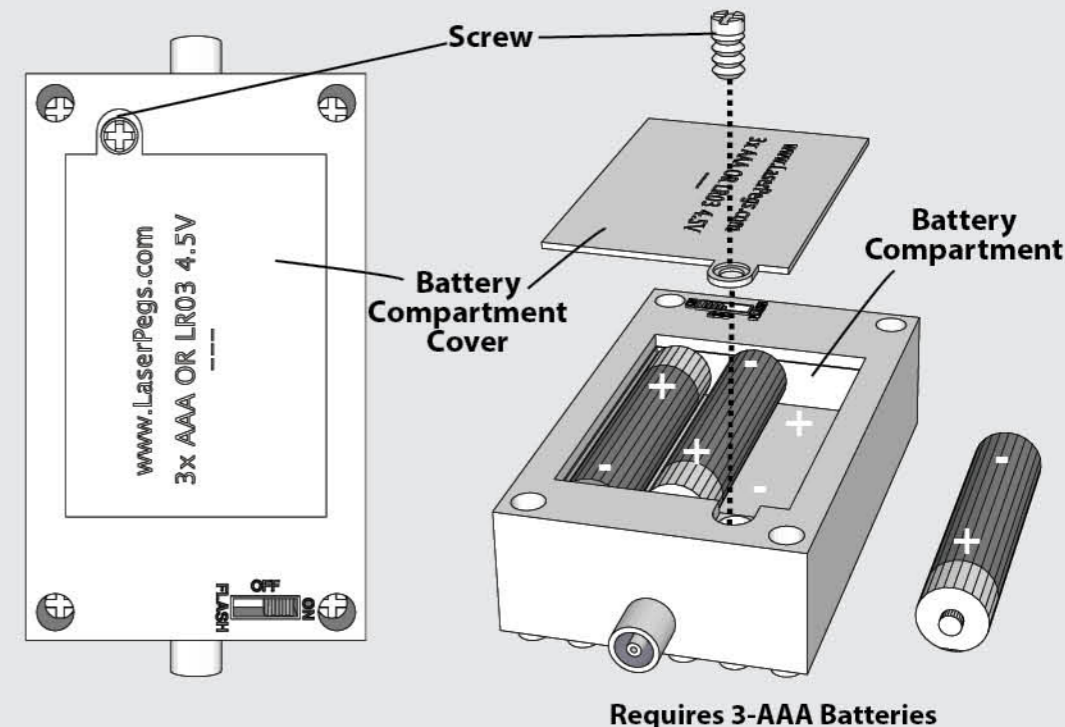
WARNING: STROBE LIGHTS MAY CAUSE SEIZURES

WARNING! Each Laser Peg® draws current from the batteries. Therefore, the more pegs you use, the quicker you will deplete your battery power! As the power weakens, the current will slowly fail and some Laser Pegs® will illuminate (typically the reds and yellows) and some won't. When the Laser Pegs® dim, the Laser Pegs® are not broken, they just need stronger batteries. You have 2 simple options...
1. Change the batteries.
2. Use high quality batteries. They will last a little longer, but they will still deplete rapidly the more Laser Pegs® you connect!

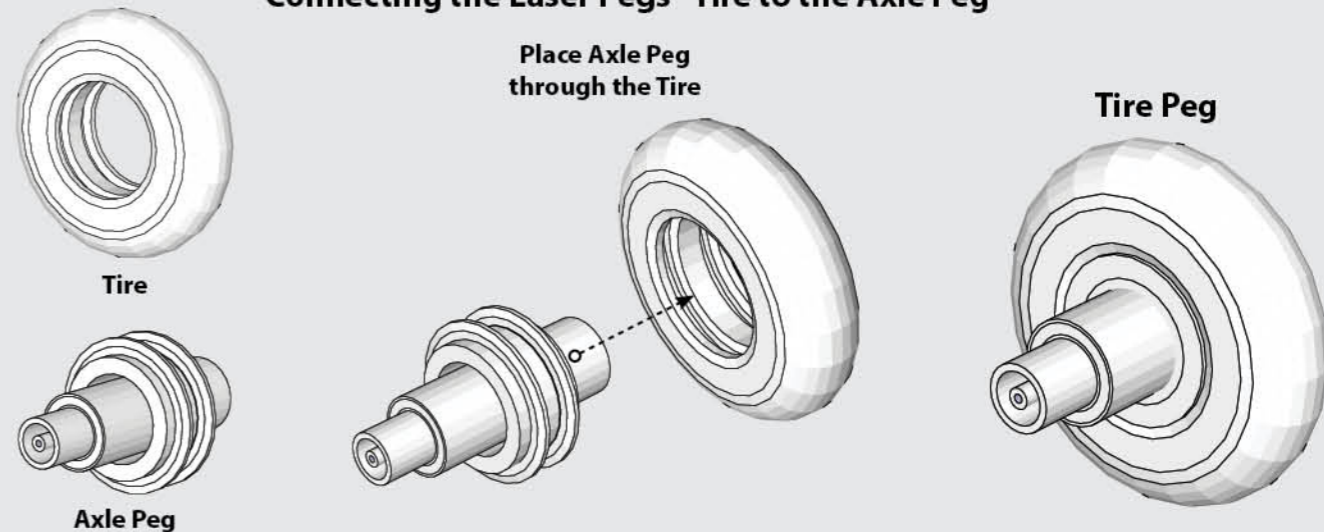
Replacing Batteries

1. Remove Screw.
2. Lift off Battery Compartment Cover.
3. Place three (3) AAA batteries in the correct position - as displayed inside of the Power Block.
4. Replace Battery Compartment Cover and Screw.
5. Slide Power Switch setting to OFF/ON/FLASH.
6. Do not mix old and new batteries.
7. Do not mix alkaline, standard (carbon-zinc), or rechargeable (nickel-cadmium, NiMH) batteries!
8. Exhausted batteries are to be removed from the power base.
9. Never connect more than 30 Laser Pegs® at one time!
10. Non-rechargeable batteries are not to be recharged.
11. Rechargeable batteries are only to be recharged under adult supervision.
12. Rechargeable batteries are to be removed from the toy before being recharged.
13. Batteries are to be inserted with the correct polarity.
14. The supply terminals are not to be short-circuited.
15. DO NOT THROW BATTERIES INTO FIRE!

Remove the Phillips head screw with a 4mm screw driver.
Requires 3-AAA Batteries
Batteries NOT Included



Connecting the Laser Pegs® Tire to the Axle Peg

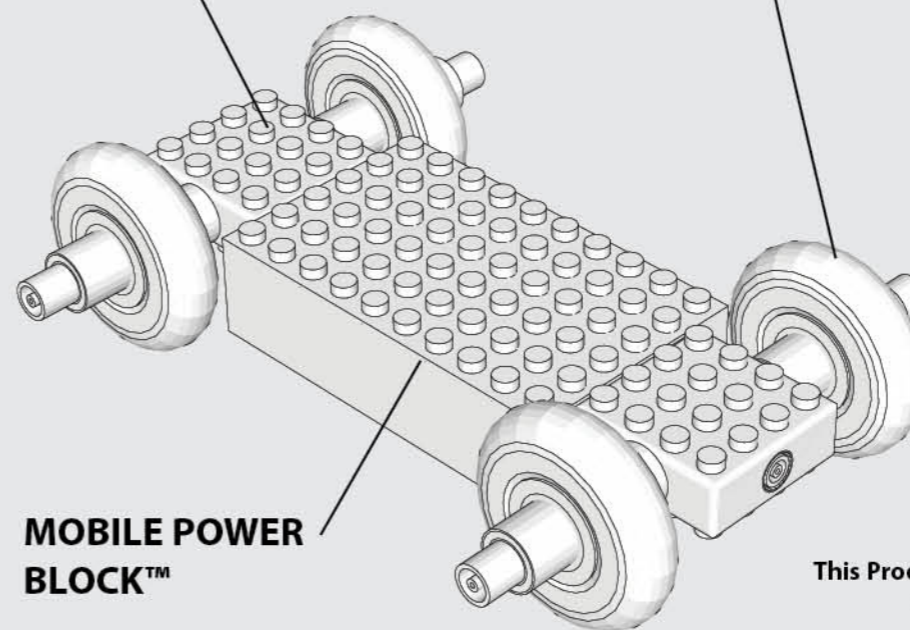


POWER BLOCK™

Use the Laser Pegs® Square M-M Peg to attach the Tire Pegs to the Power Block™.

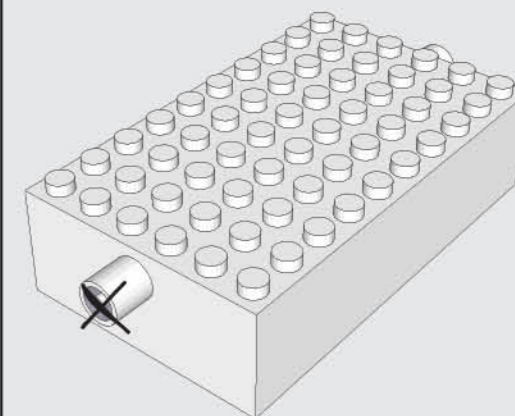
Laser Pegs® Square M-M Peg

Tire Peg



AVOID DAMAGE TO PEG HOLES

*To avoid short-circuits, keep metal objects and other unauthorized materials from obstructing the peg holes.



Never connect more than 30 Laser Pegs® to the Power Block at one time.

This Product contains a button battery. If swallowed, it could cause severe injury or death in just 2 hours. Seek medical attention immediately.

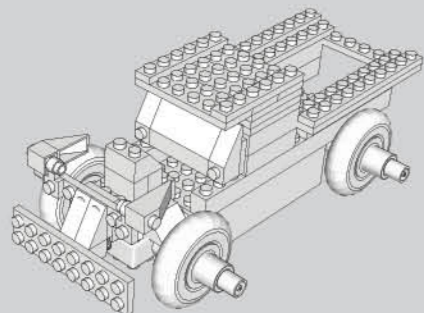
TRUCK HOT ROD: In Europe, all trucks are fitted with a speed limiter set to 56 miles per hour or less.



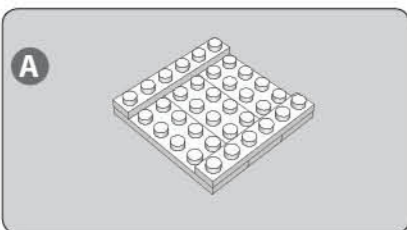
TRUCK HOT ROD

Model
Difficulty
Level

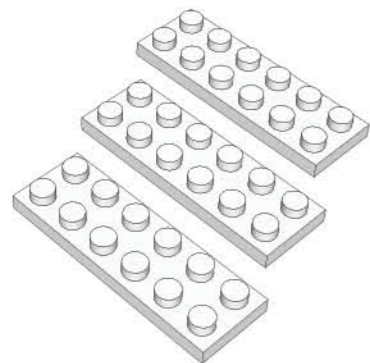
3



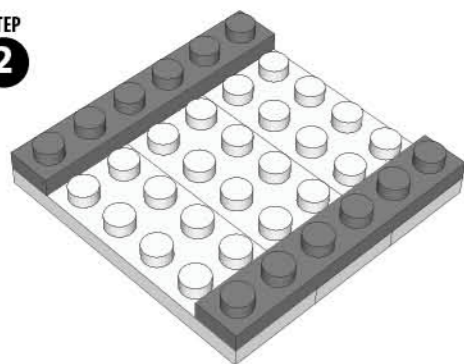
The TRY-ME mechanism is for display purposes ONLY and should be discarded as per state and local regulations. It is NOT intended to be used for the building of this model.



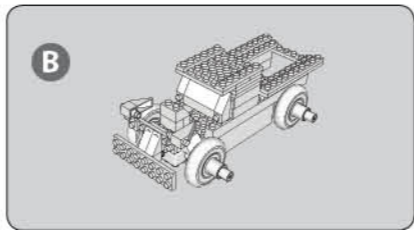
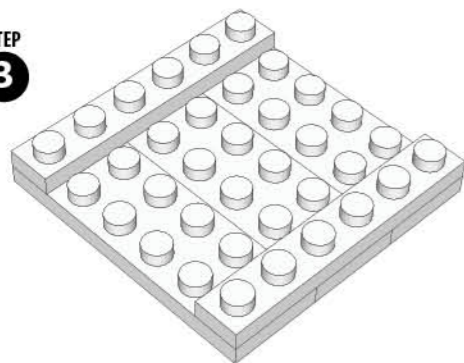
STEP 1



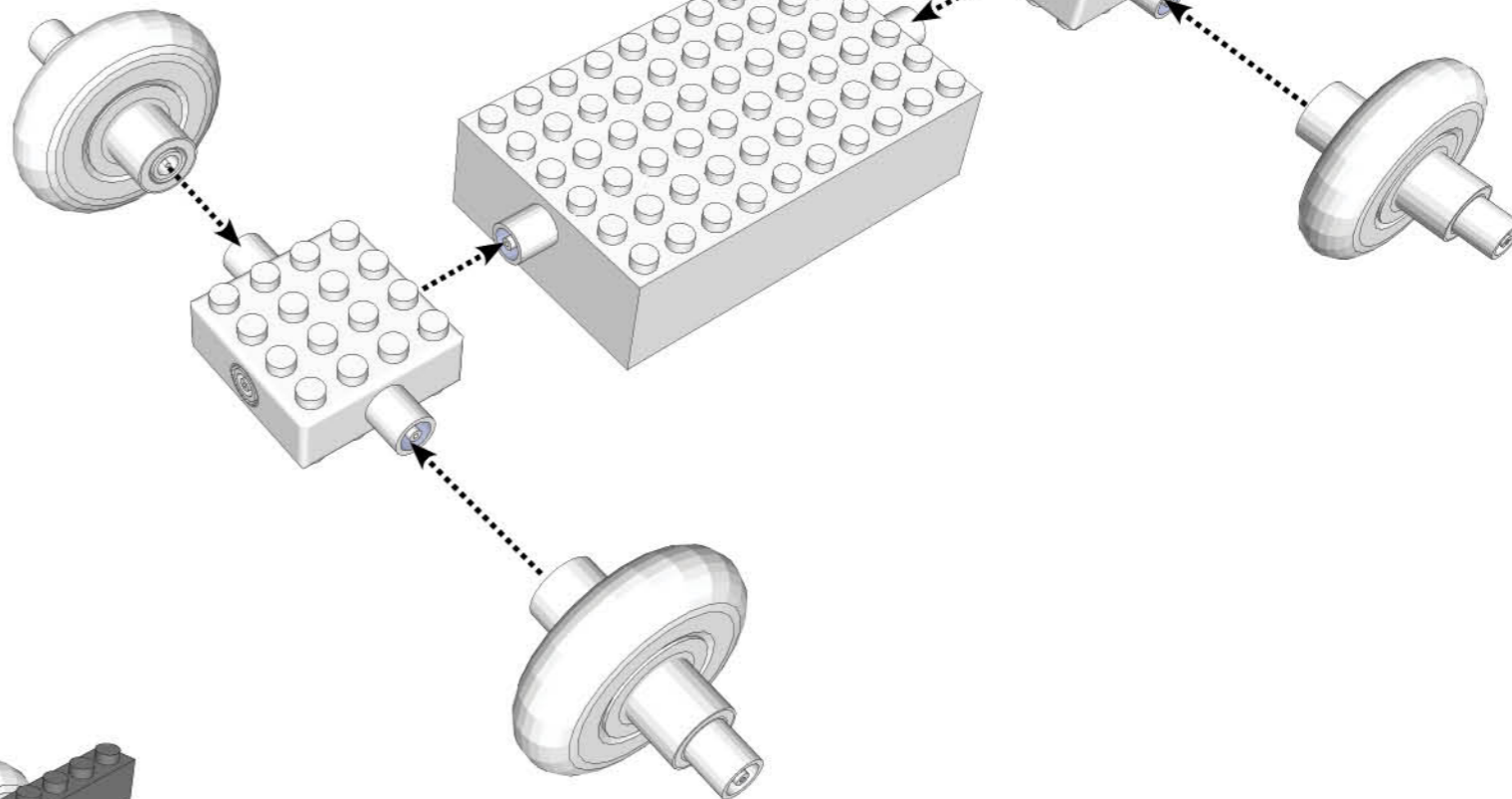
STEP 2



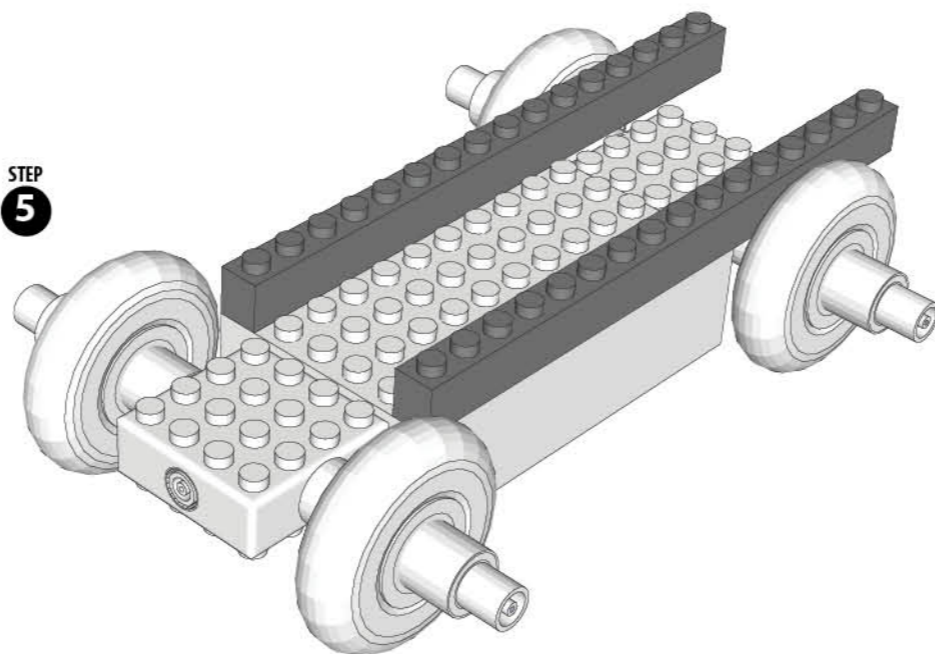
STEP 3



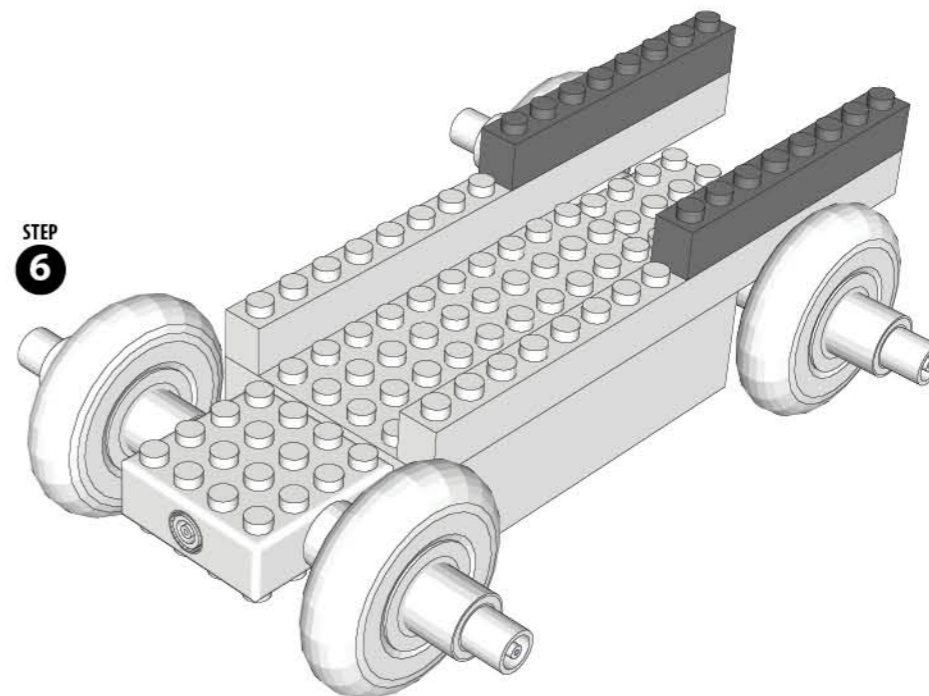
STEP 4

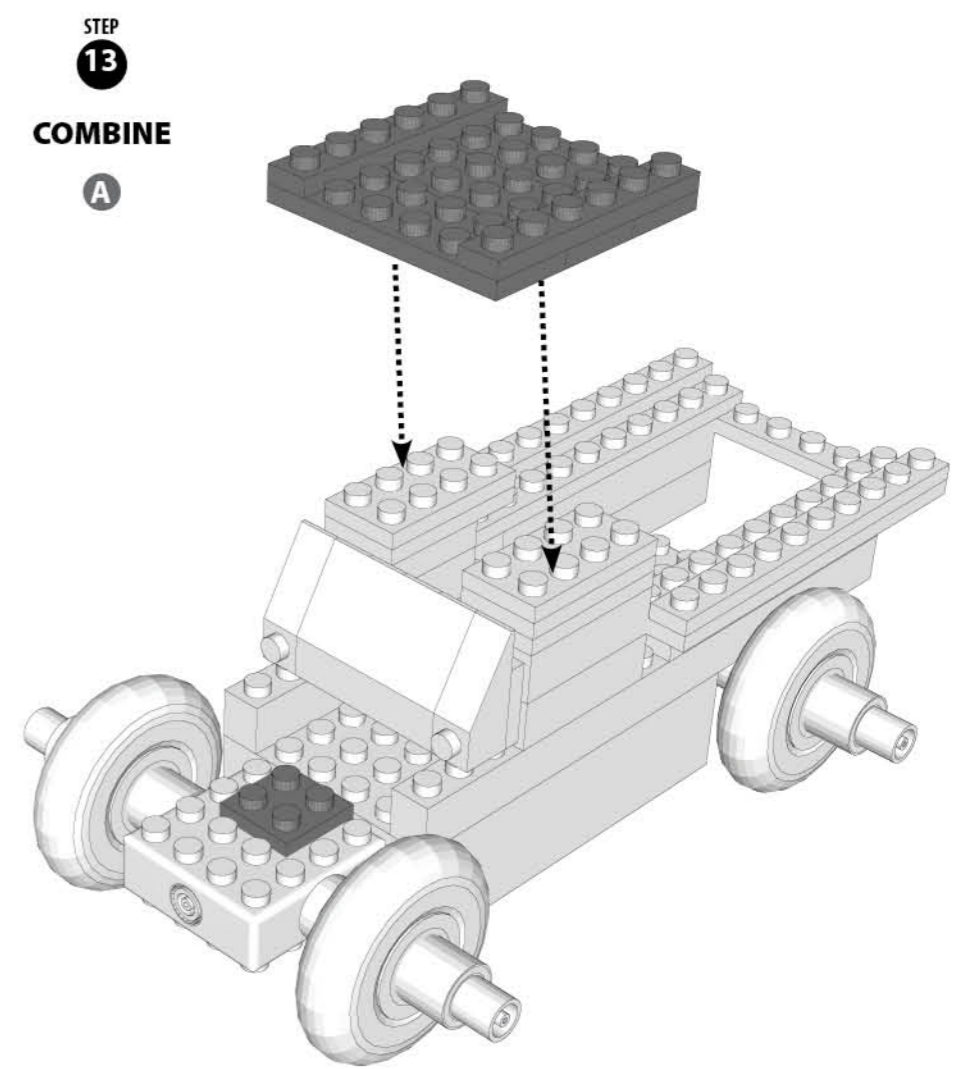
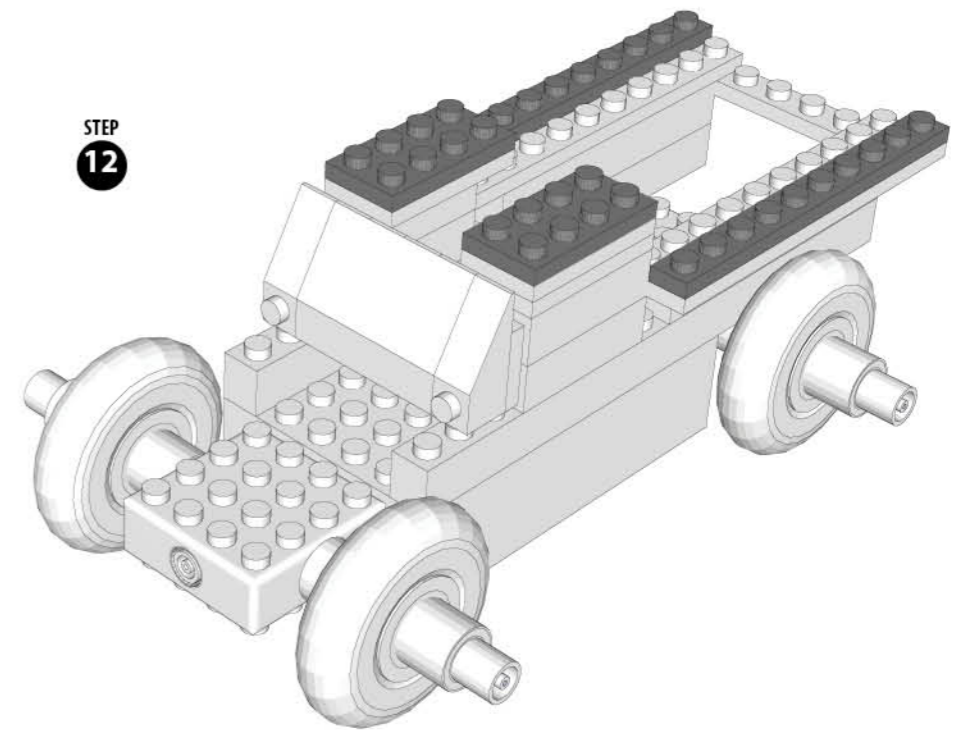
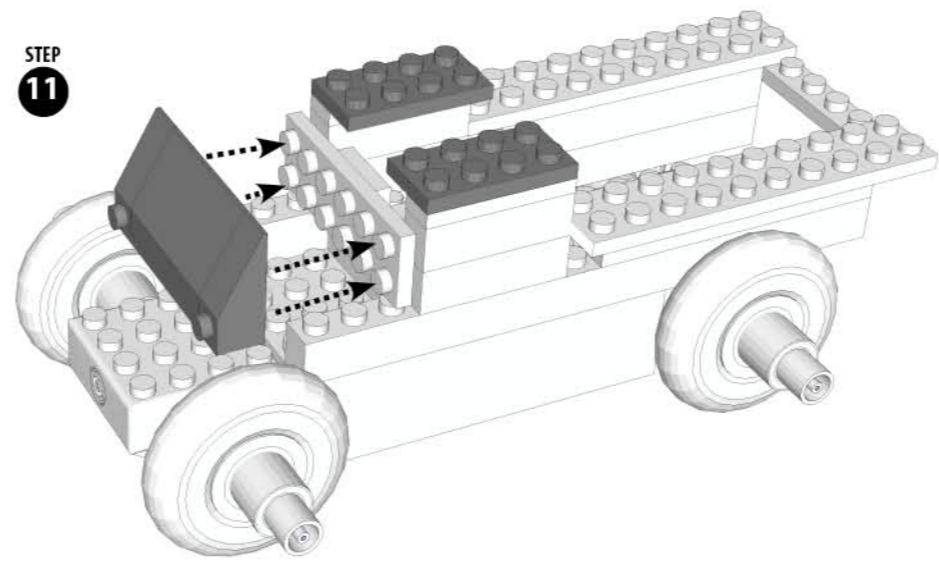
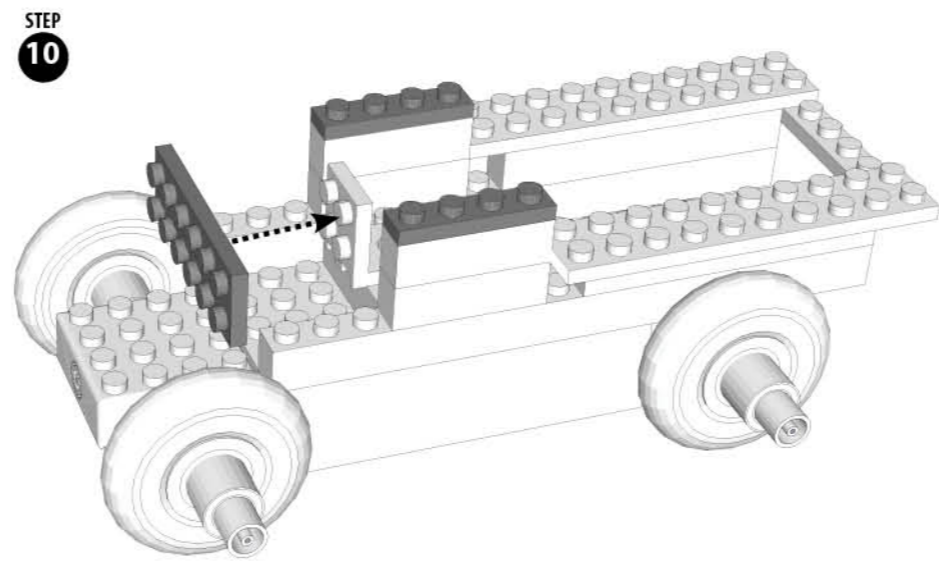
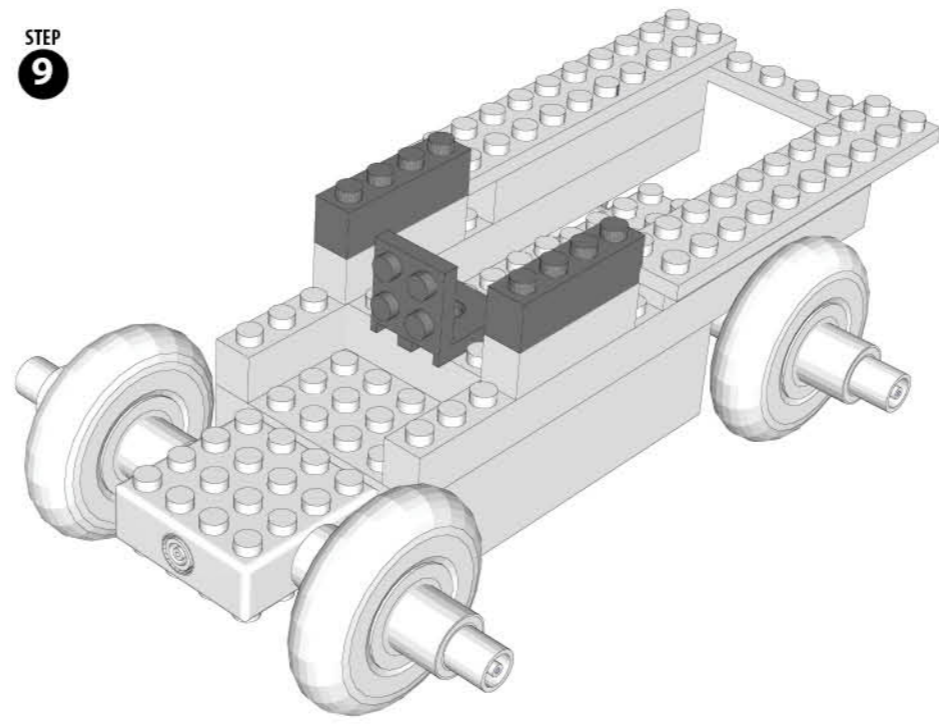
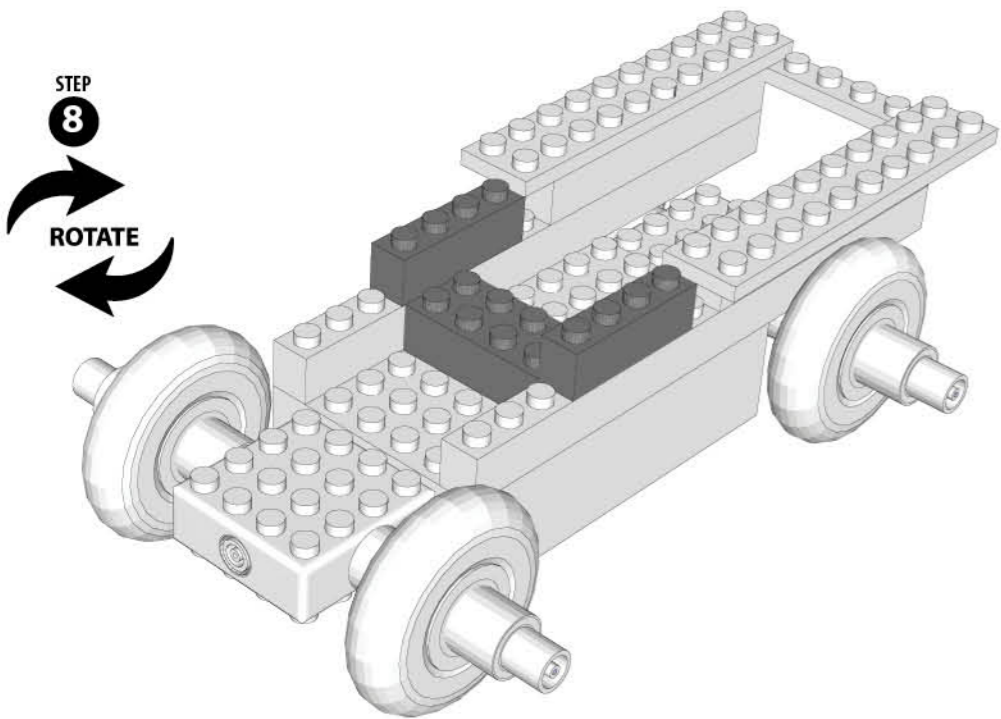
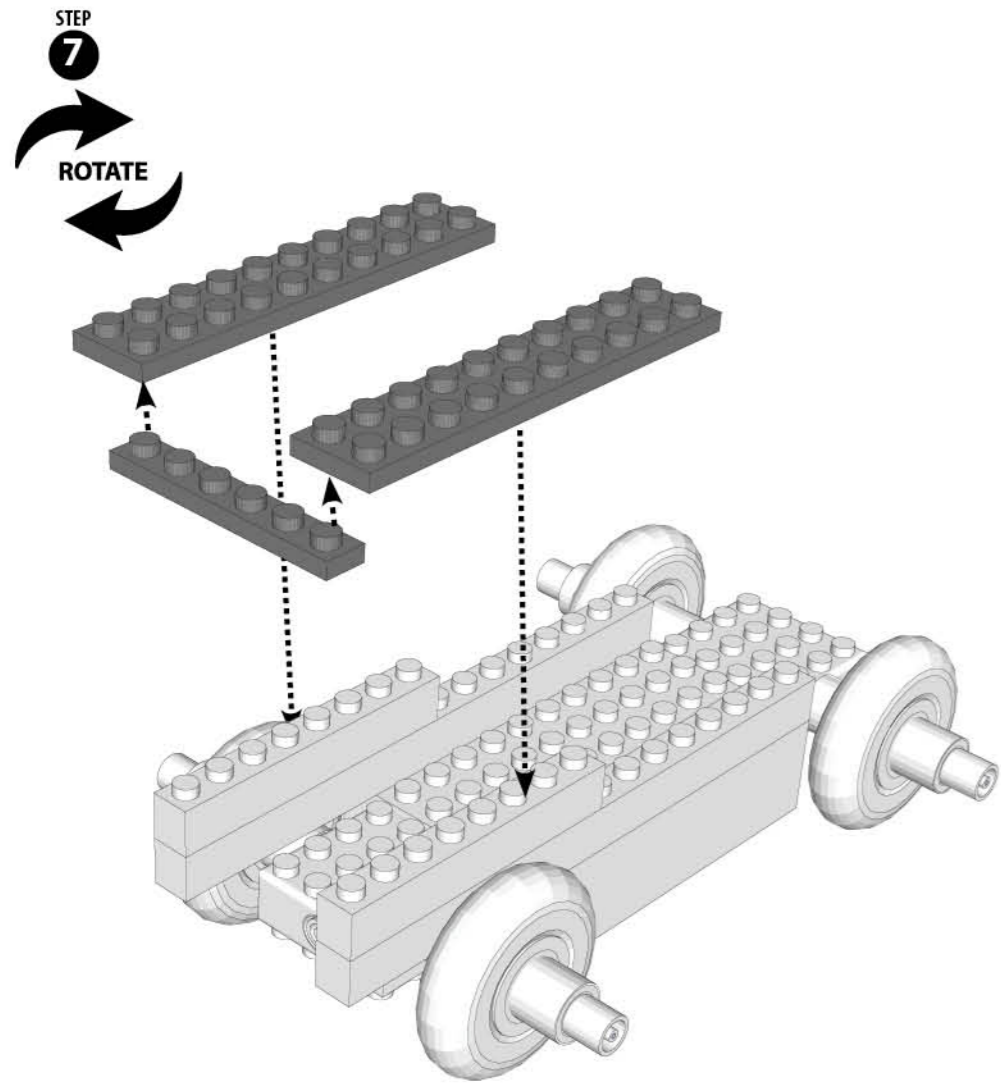


STEP 5

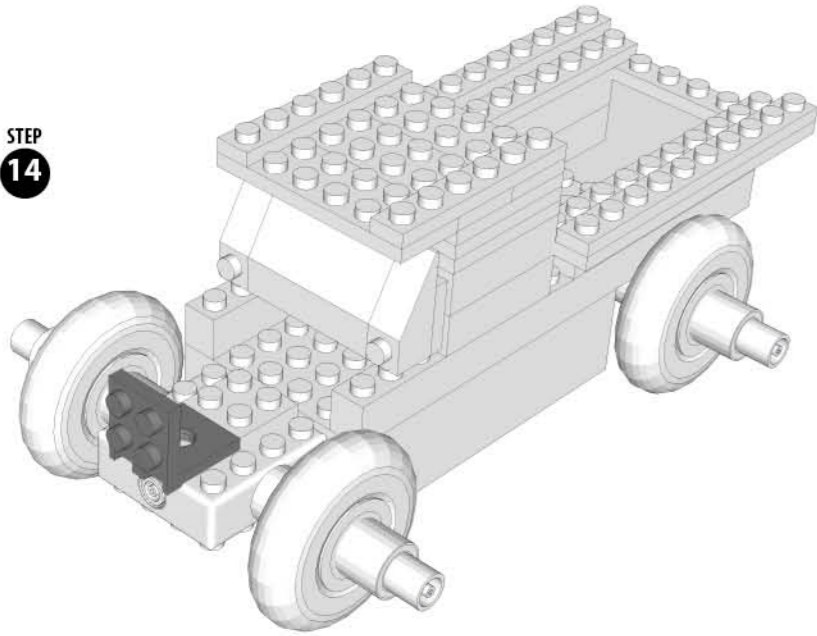


STEP 6

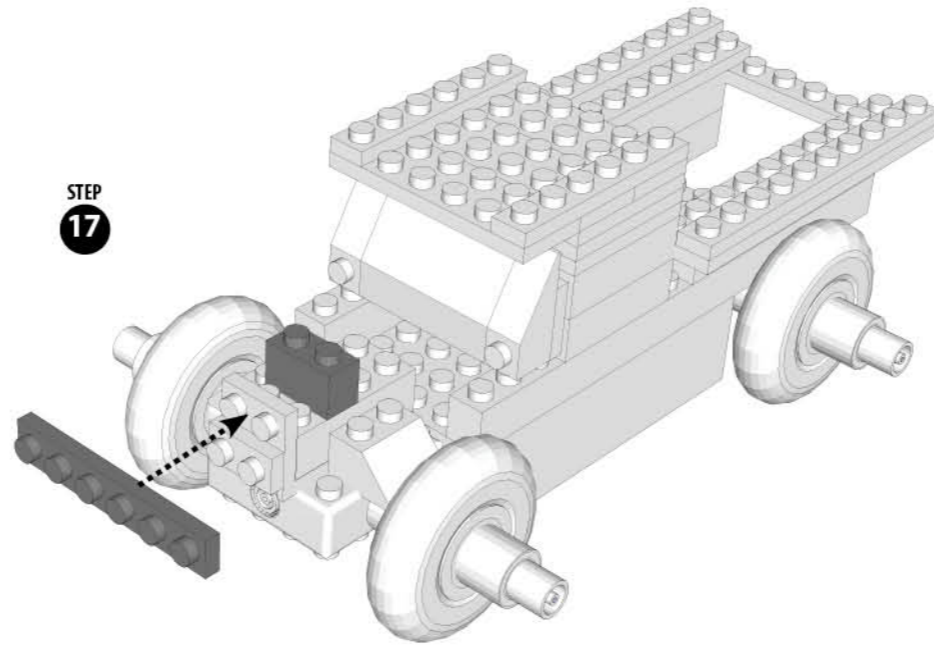




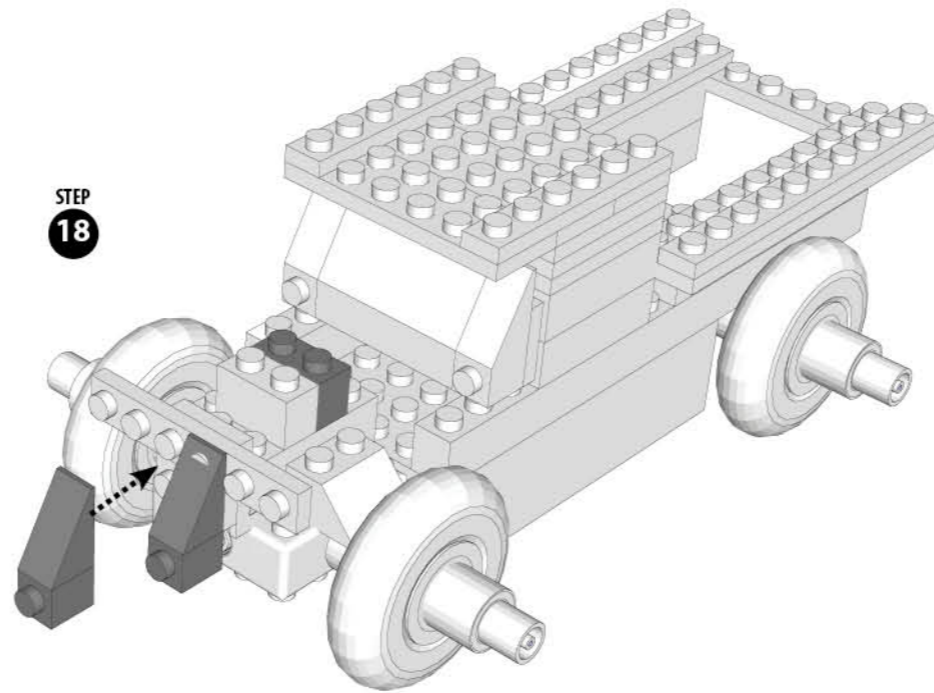
STEP 14



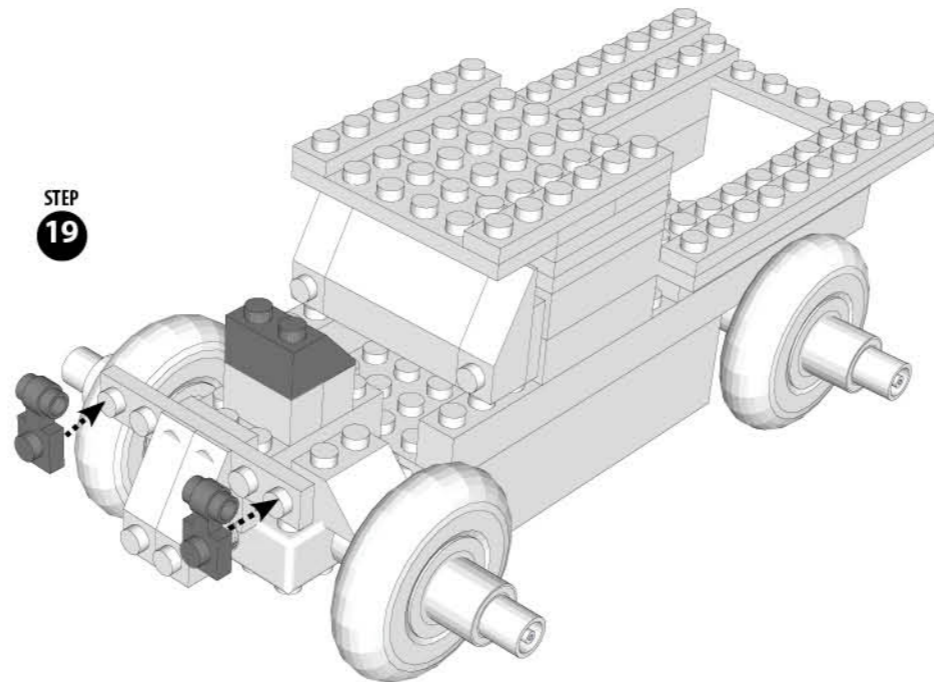
STEP 17



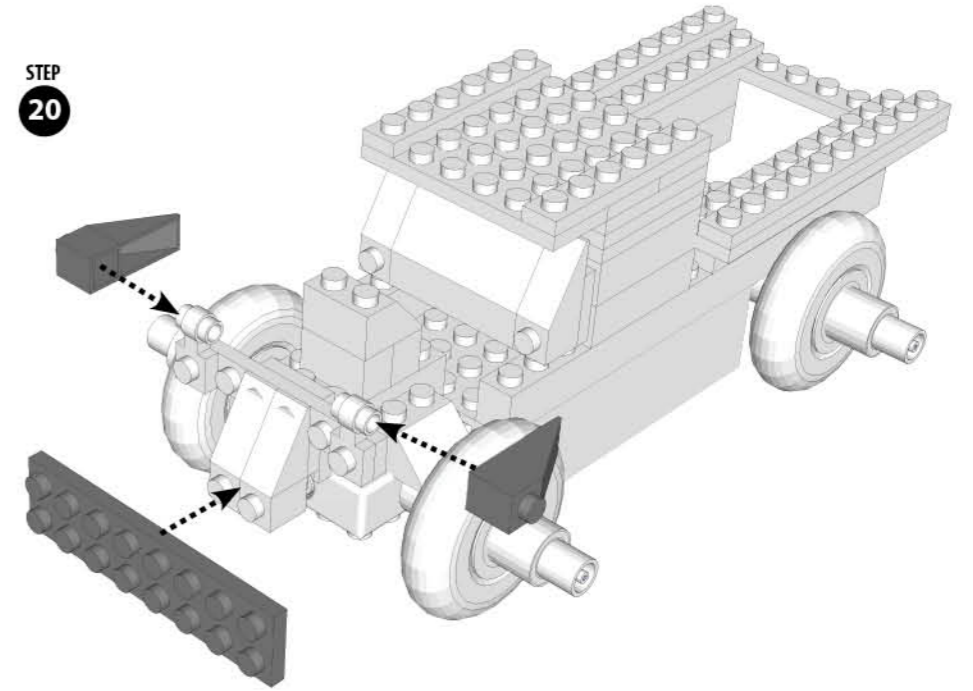
STEP 18



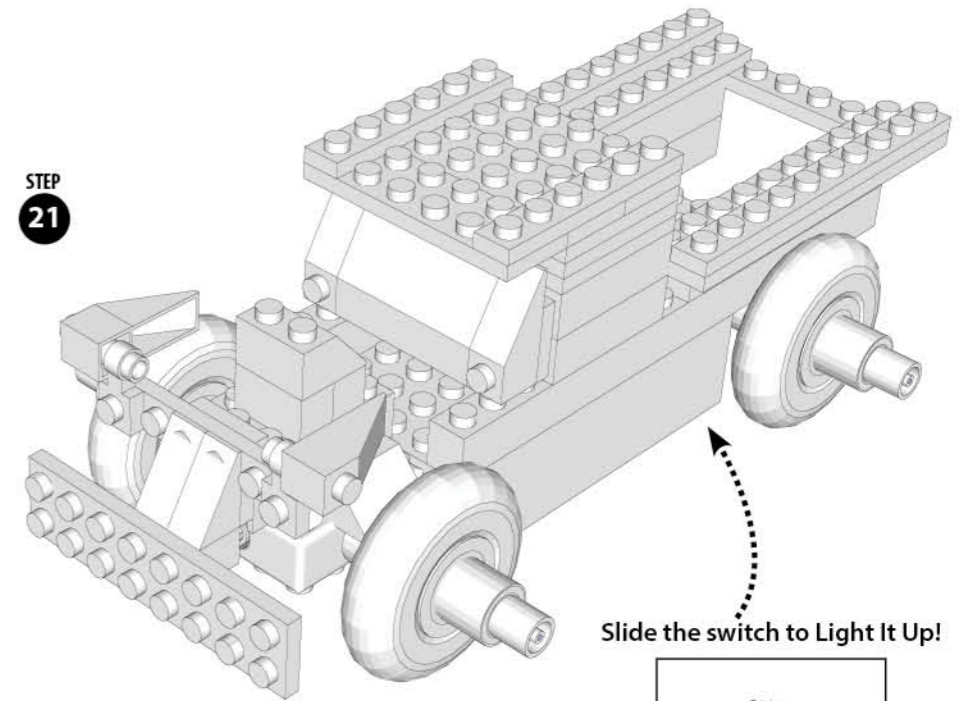
STEP 19



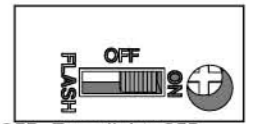
STEP 20



STEP 21



Slide the switch to Light It Up!



OFF - Turns lights OFF
ON - Turns lights ON
FLASH - Makes lights FLASH

www.LaserPegs.com

Copyright 2014 © All Rights Reserved Global & Multiple Patents Pending.
US Patent #7,731,558

LASER PEGS®

The Ultimate Construction Toy For Kids®

PBI410B
POWER BLOCK
CAR SERIES

Ages 5+

8 Models+
Any creation you can build

LIGHTED
MOBILE POWER BLOCK™ SET
INCLUDES:

- 83 Tinted Bricks
- 4 Tire Pegs
- 2 Square M-M Pegs
- 1 Mobile Power Block™

Requires 3 AAA Batteries

Batteries NOT Included

WARNING: CHOKING HAZARD - Small parts. Not for children under 3 yrs. Do not submerge in water.

DO NOT SUBMERGE IN WATER

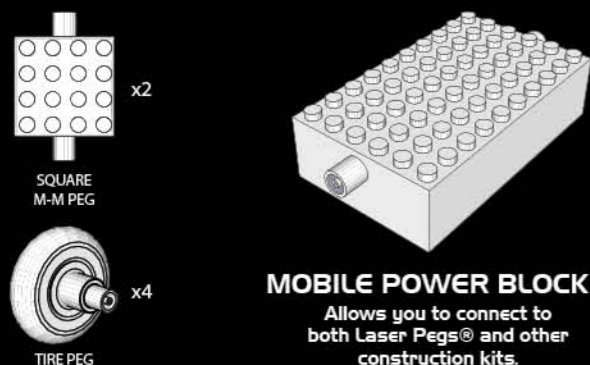
EN71, RoHS COMPLIANT

This product complies to all safety requirements of ASTM F 963

MODEL INSTRUCTIONS

All additional model instructions can be downloaded at www.LaserPegs.com

Laser Pegs® Parts List



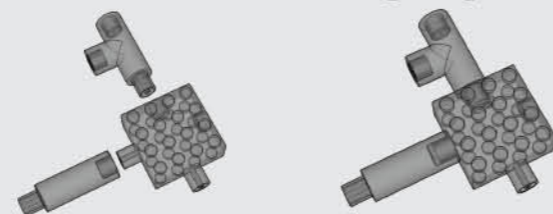
Color Code Each Laser Peg® is color coded on the circuit board inside each shape.



www.LaserPegs.com

This manual is copyright and cannot be reproduced or used online without Laser Pegs® Ventures LLC permission. Copyright 2014 © All Rights Reserved US Patent #7,731,558 Additional Global & Multiple Patents Pending. Laser Pegs® Ventures LLC, 8304 Consumer Ct., Sarasota FL 34240. Contact: Support@LaserPegs.com

Connecting Pegs



To construct with Laser Pegs®, slide two pieces together to form a connection. Slide each piece on and off smoothly.

POWER BLOCK

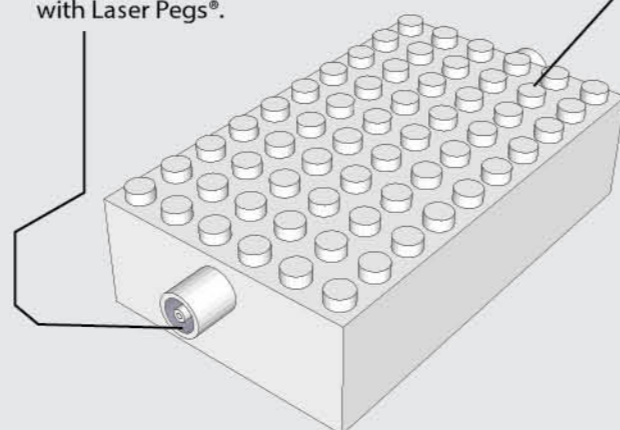
The Power Block is a Power Base that allows you to build with Laser Pegs® and construction parts to build models that light up. It is battery operated. (BATTERIES NOT INCLUDED.)

Laser Pegs® Connections

Allows you to construct with Laser Pegs®.

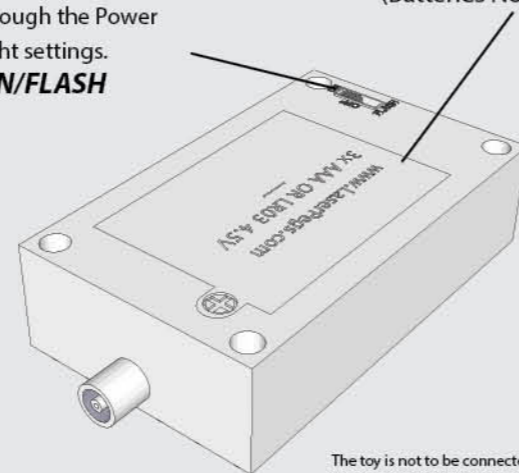
Construction Part Connections

Allows you to connect to other construction kits.



Power Switch

Move the Power Switch to cycle through the Power Block light settings.
OFF/ON/FLASH

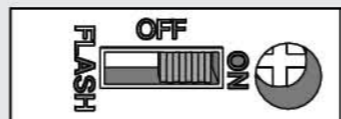


Battery Compartment

Requires 3-AAA Batteries (Batteries Not Included)

LIGHT SETTINGS

OFF - Turns lights OFF
ON - Turns lights ON
FLASH - Makes lights FLASH



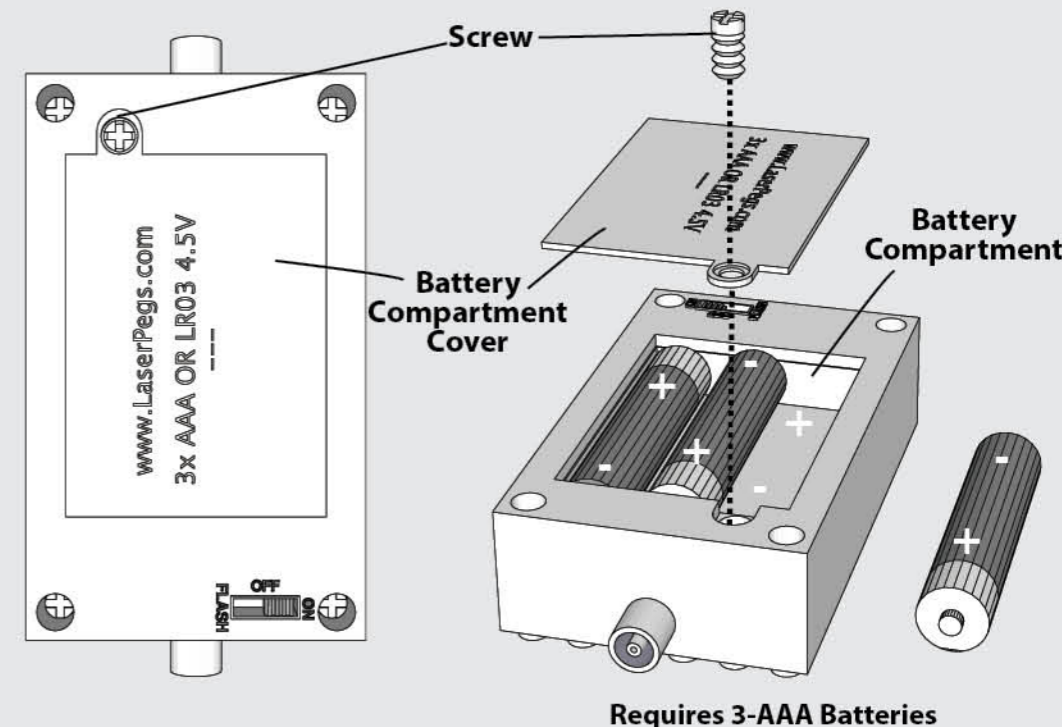
WARNING: STROBE LIGHTS MAY CAUSE SEIZURES

WARNING! Each Laser Peg® draws current from the batteries. Therefore, the more pegs you use, the quicker you will deplete your battery power! As the power weakens, the current will slowly fail and some Laser Pegs® will illuminate (typically the reds and yellows) and some won't. When the Laser Pegs® dim, the Laser Pegs® are not broken, they just need stronger batteries. You have 2 simple options...
1. Change the batteries.
2. Use high quality batteries. They will last a little longer, but they will still deplete rapidly the more Laser Pegs® you connect!

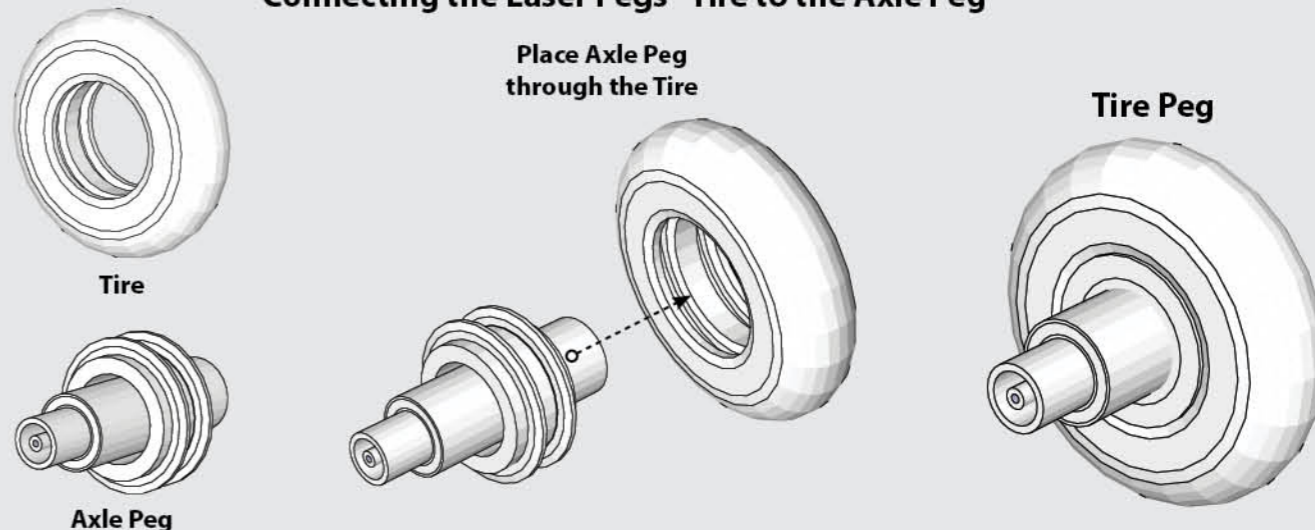
Replacing Batteries

1. Remove Screw.
2. Lift off Battery Compartment Cover.
3. Place three (3) AAA batteries in the correct position - as displayed inside of the Power Block.
4. Replace Battery Compartment Cover and Screw.
5. Slide Power Switch setting to OFF/ON/FLASH.
6. Do not mix old and new batteries.
7. Do not mix alkaline, standard (carbon-zinc), or rechargeable (nickel-cadmium, NiMH) batteries!
8. Exhausted batteries are to be removed from the power base.
9. Never connect more than 30 Laser Pegs® at one time!
10. Non-rechargeable batteries are not to be recharged.
11. Rechargeable batteries are only to be recharged under adult supervision.
12. Rechargeable batteries are to be removed from the toy before being recharged.
13. Batteries are to be inserted with the correct polarity.
14. The supply terminals are not to be short-circuited.
15. DO NOT THROW BATTERIES INTO FIRE!

Remove the Phillips head screw with a 4mm screw driver.
Requires 3-AAA Batteries
Batteries NOT Included



Connecting the Laser Pegs® Tire to the Axle Peg

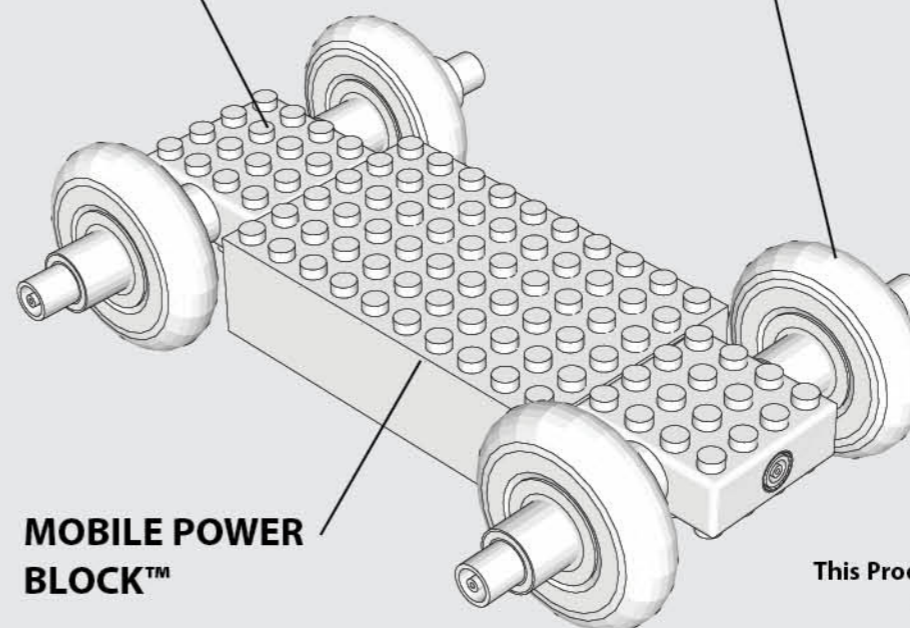


POWER BLOCK™

Use the Laser Pegs® Square M-M Peg to attach the Tire Pegs to the Power Block™.

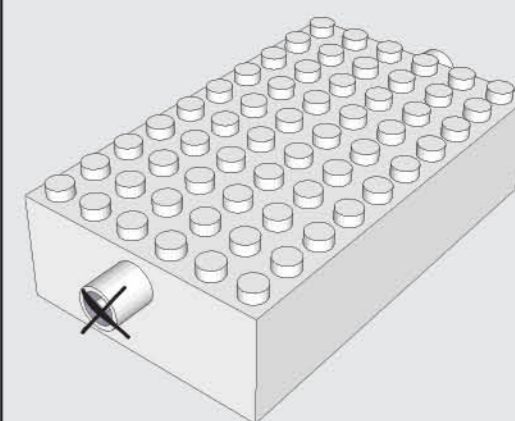
Laser Pegs® Square M-M Peg

Tire Peg



AVOID DAMAGE TO PEG HOLES

*To avoid short-circuits, keep metal objects and other unauthorized materials from obstructing the peg holes.



Never connect more than 30 Laser Pegs® to the Power Block at one time.

This Product contains a button battery. If swallowed, it could cause severe injury or death in just 2 hours. Seek medical attention immediately.

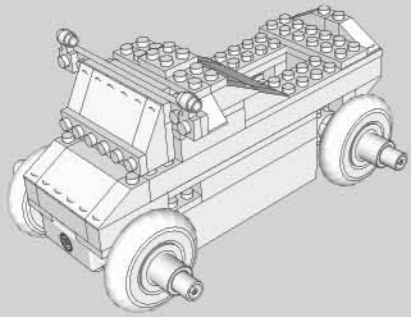
UTILITY TRUCK: This most recognized utility vehicle originated in World War II, while a less recognized utility vehicle is the station wagon.



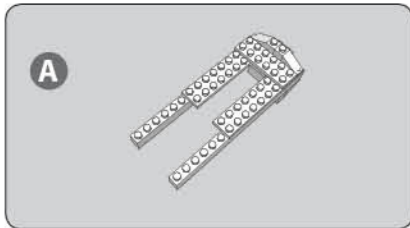
UTILITY TRUCK

Model
Difficulty
Level

3



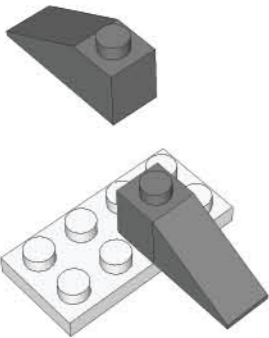
The TRY-ME mechanism is for display purposes ONLY and should be discarded as per state and local regulations. It is NOT intended to be used for the building of this model.



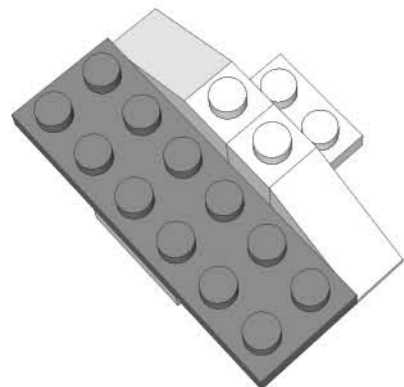
STEP 1



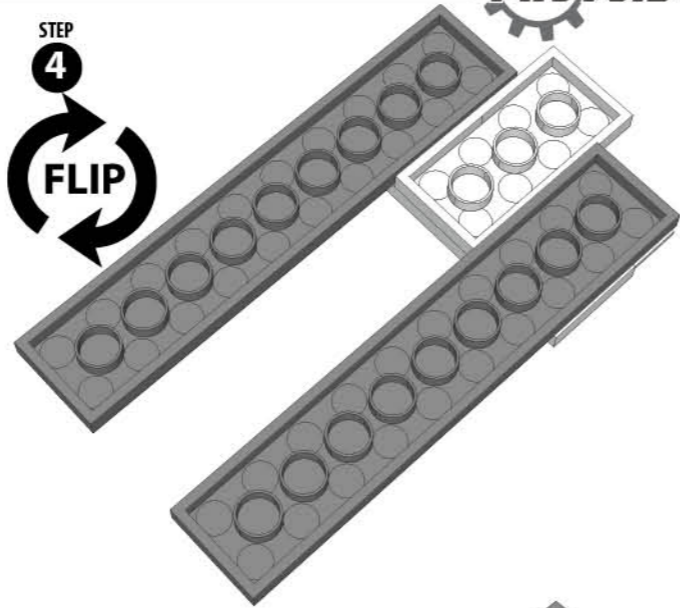
STEP 2



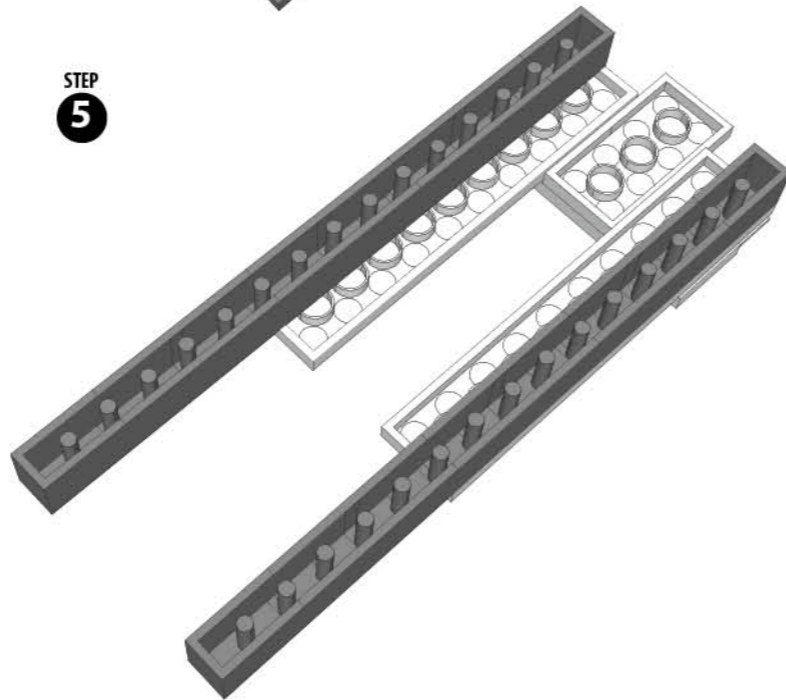
STEP 3



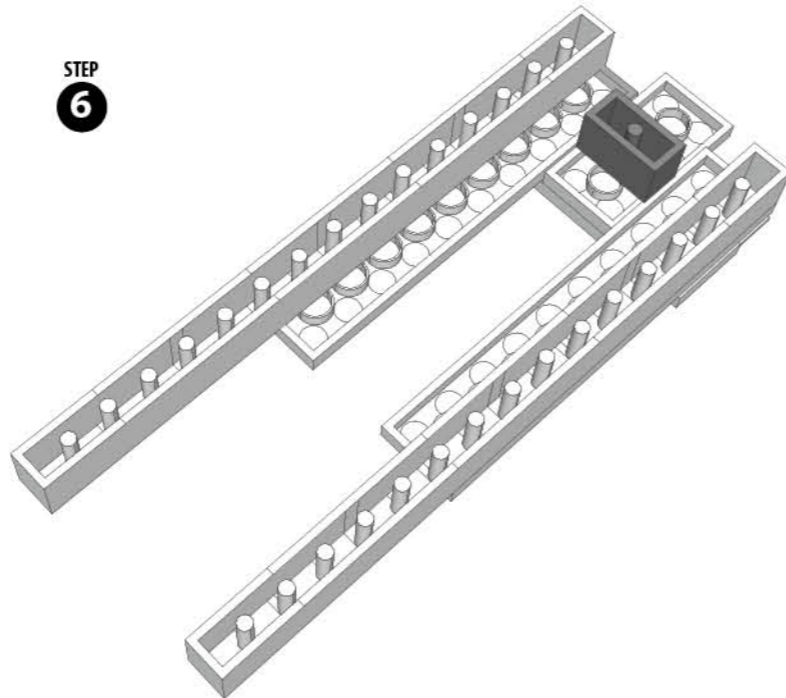
STEP 4
FLIP



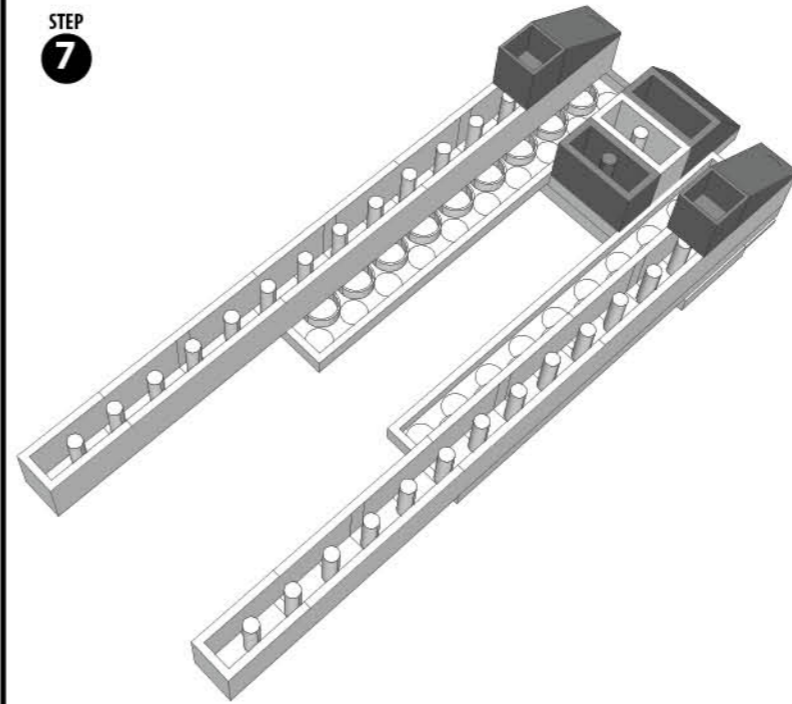
STEP 5



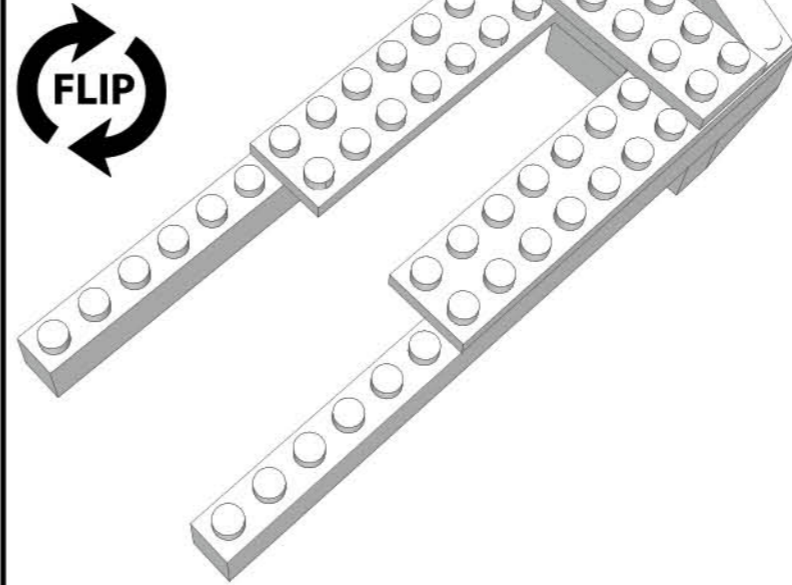
STEP 6



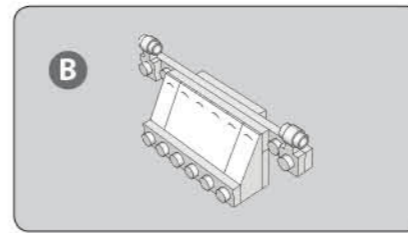
STEP 7



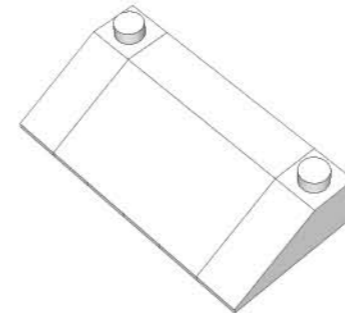
STEP 8



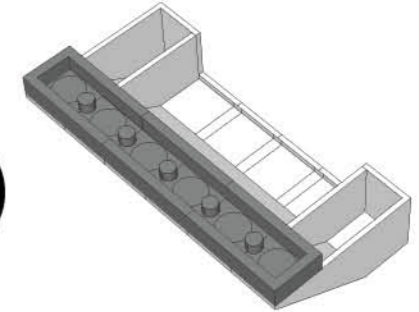
B



STEP 9



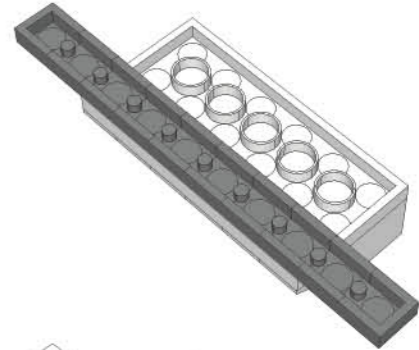
STEP 10



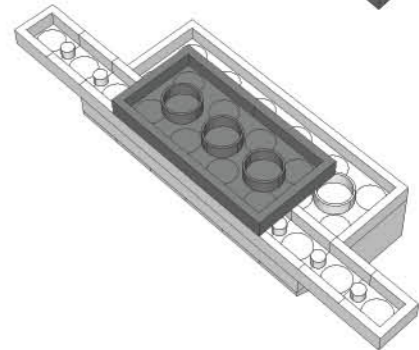
STEP 11



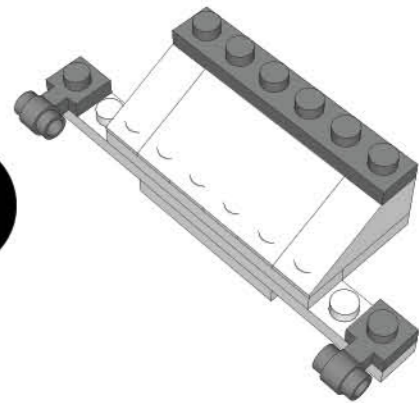
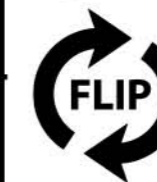
STEP 12



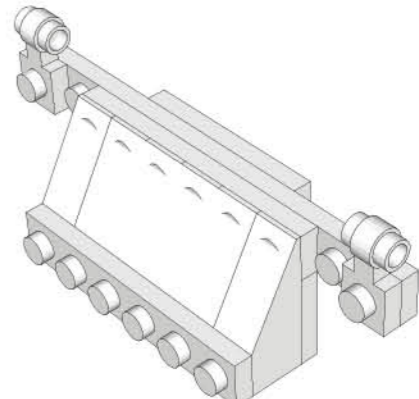
STEP 13

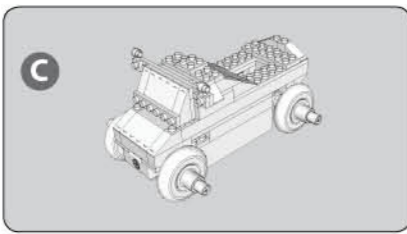


STEP 14

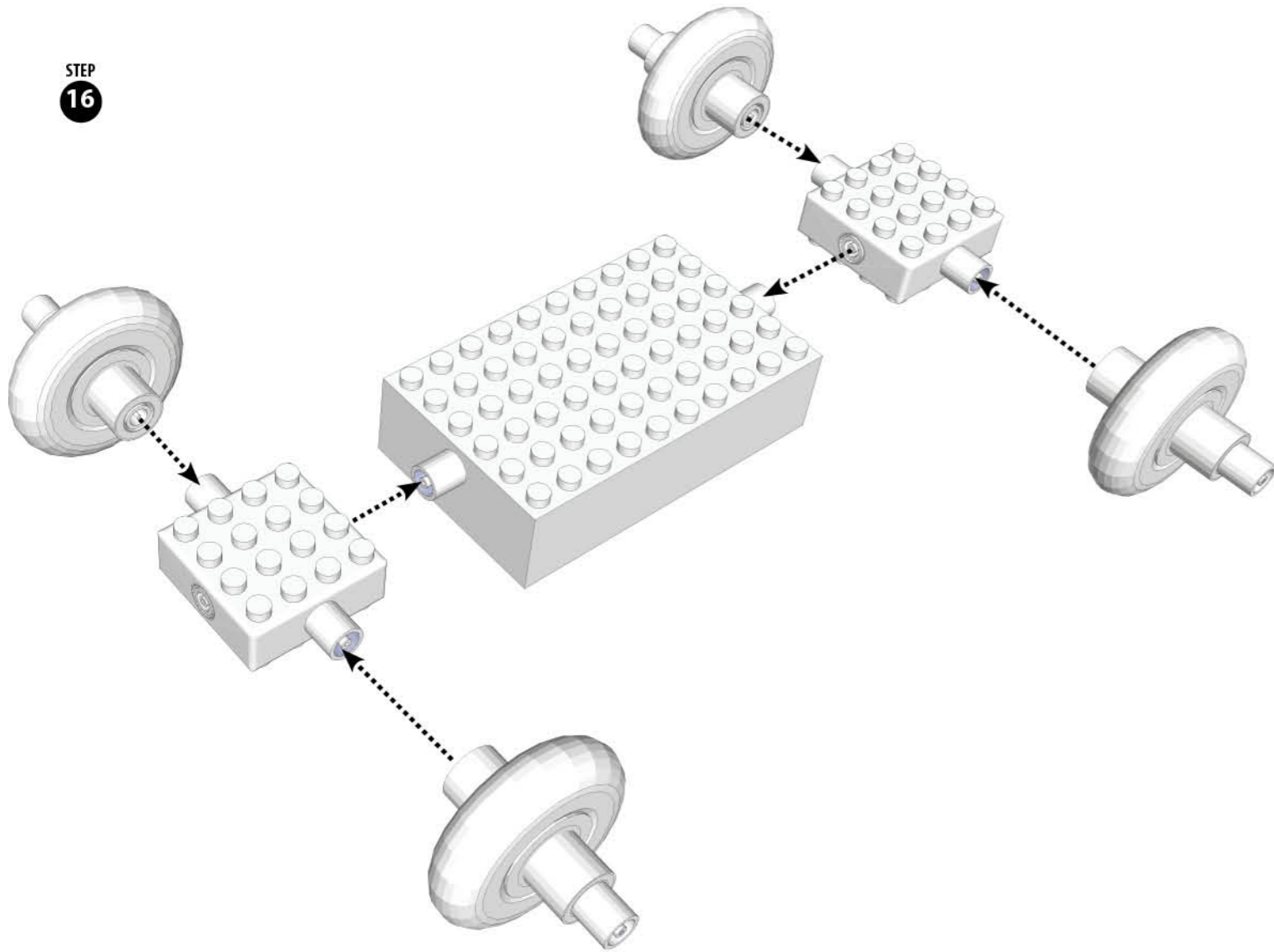


STEP 15

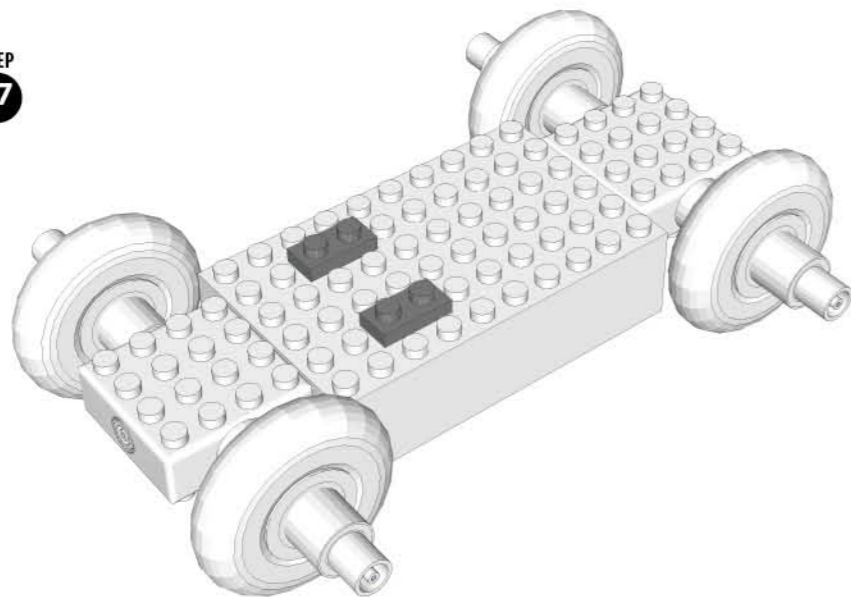




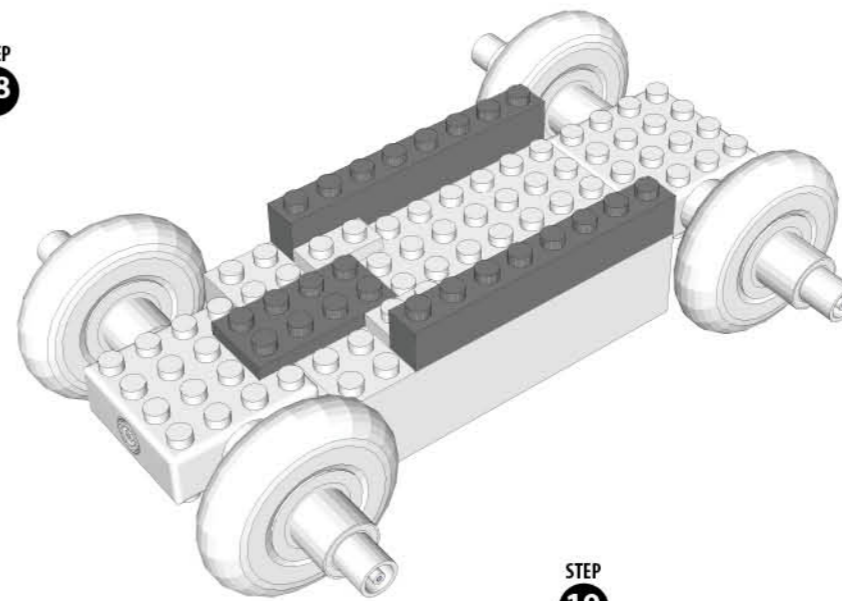
STEP 16



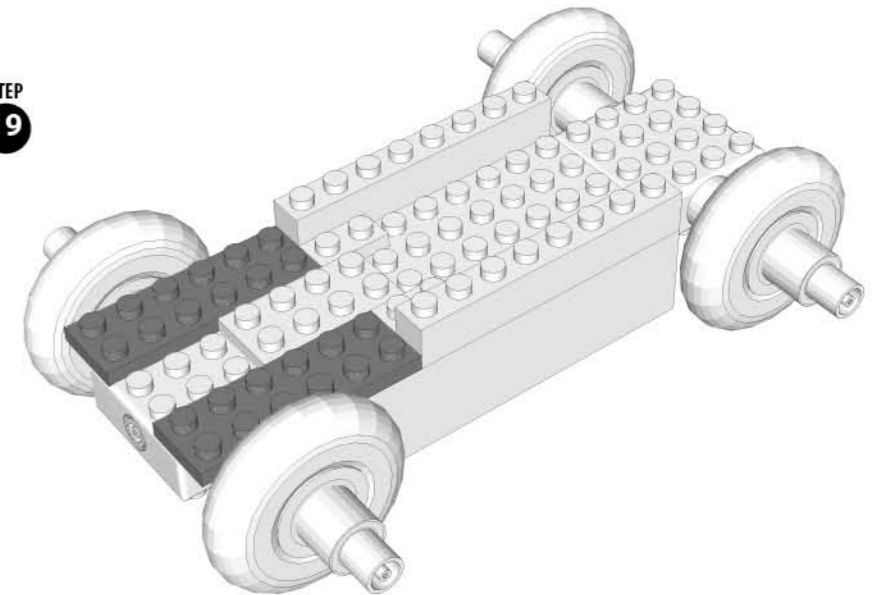
STEP 17



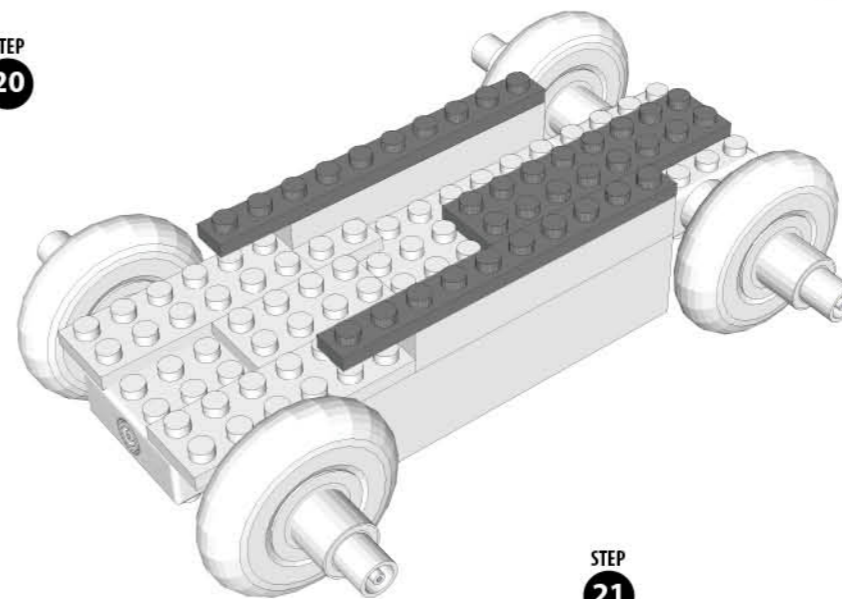
STEP 18



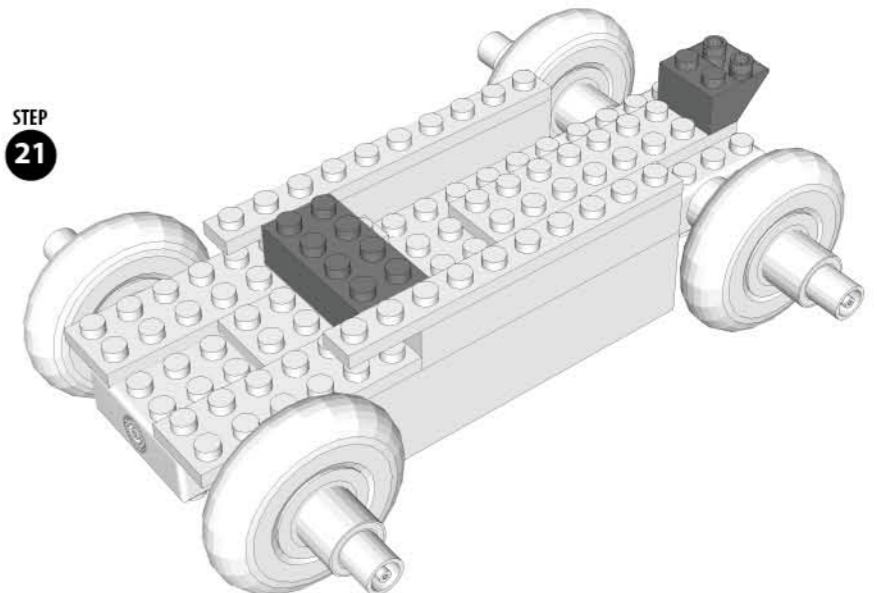
STEP 19



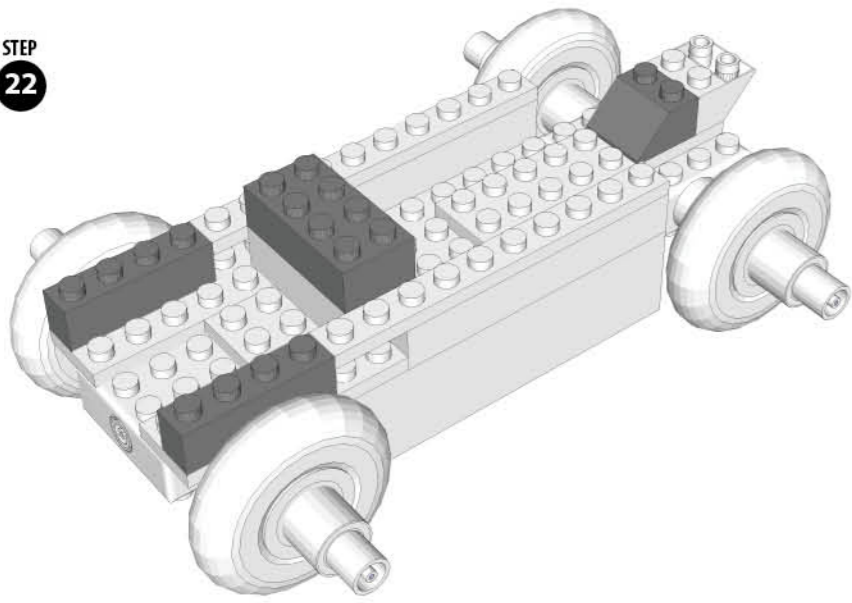
STEP 20



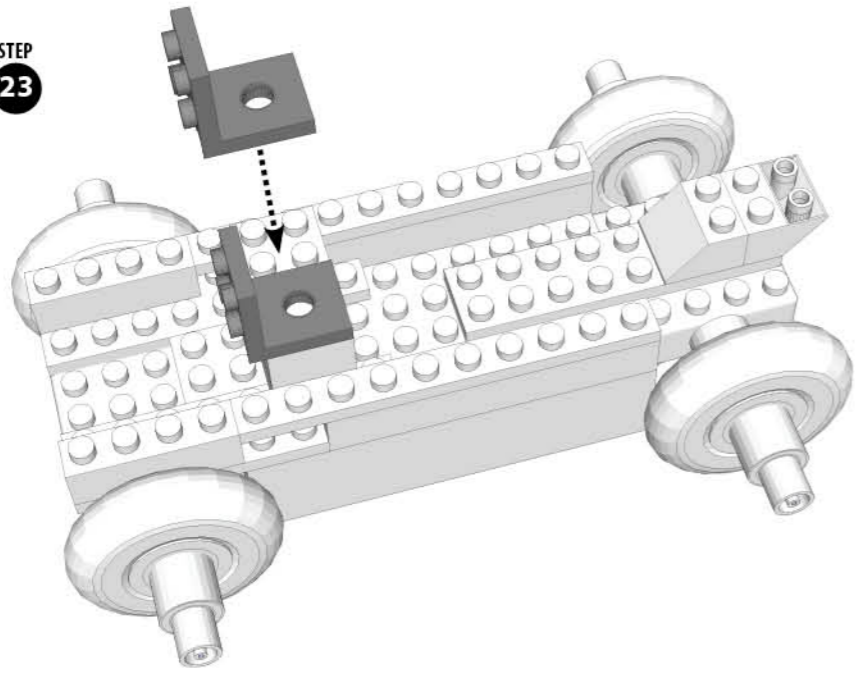
STEP 21



STEP
22

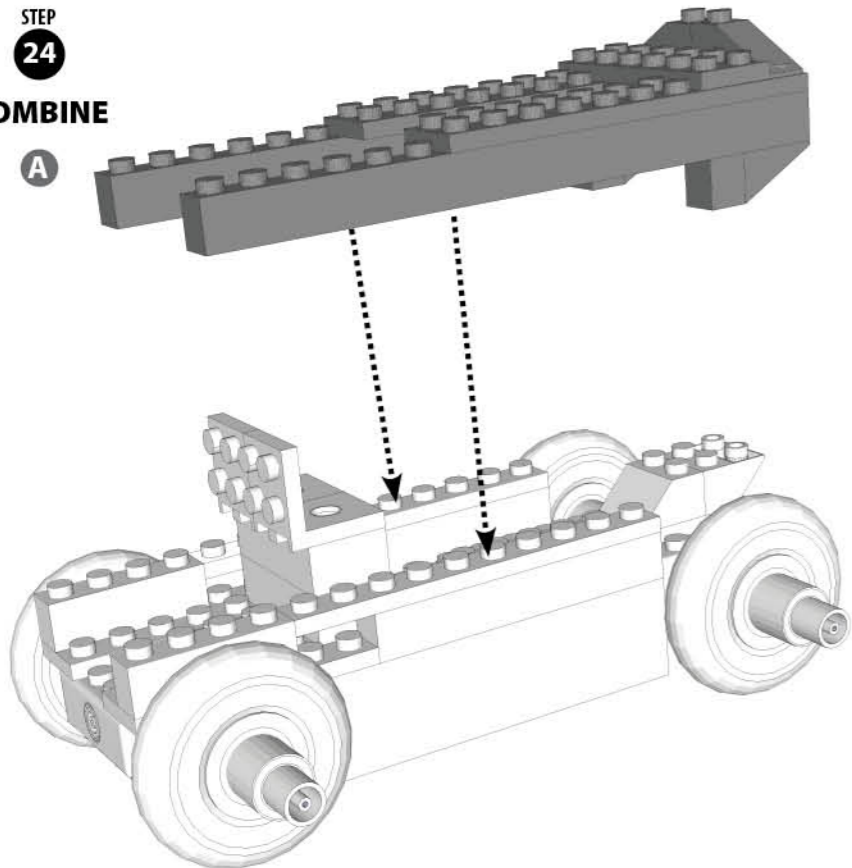


STEP
23

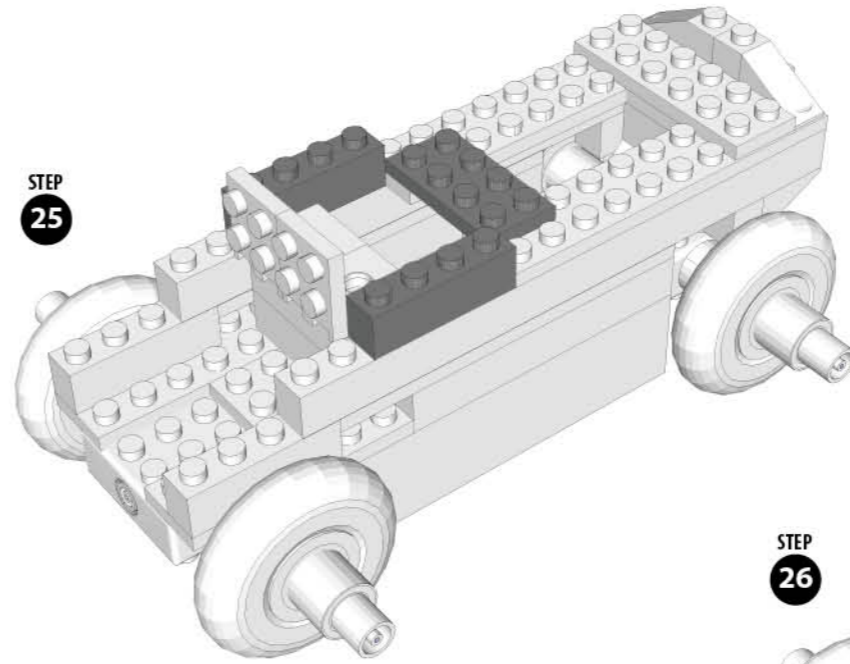


STEP
24
COMBINE

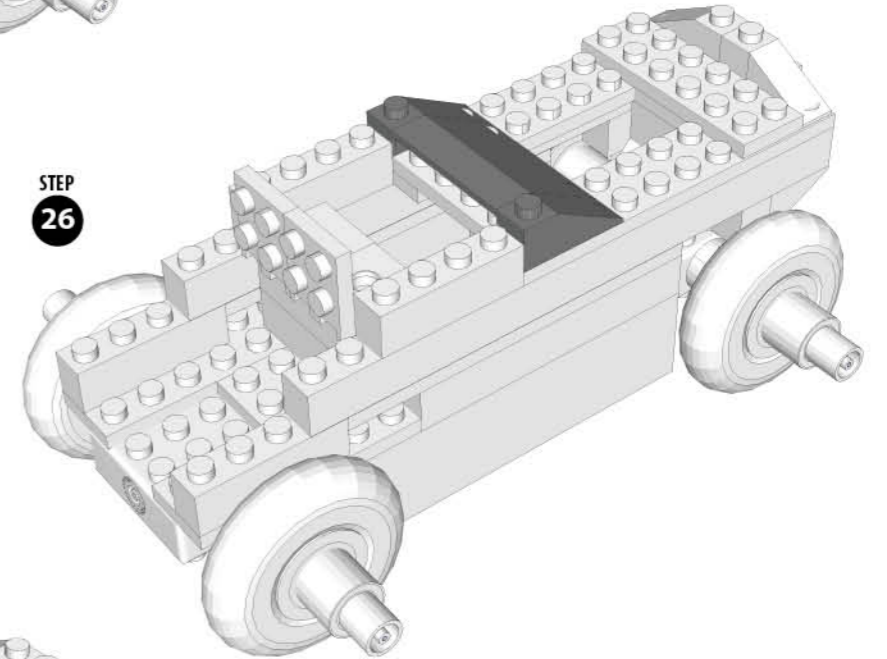
A



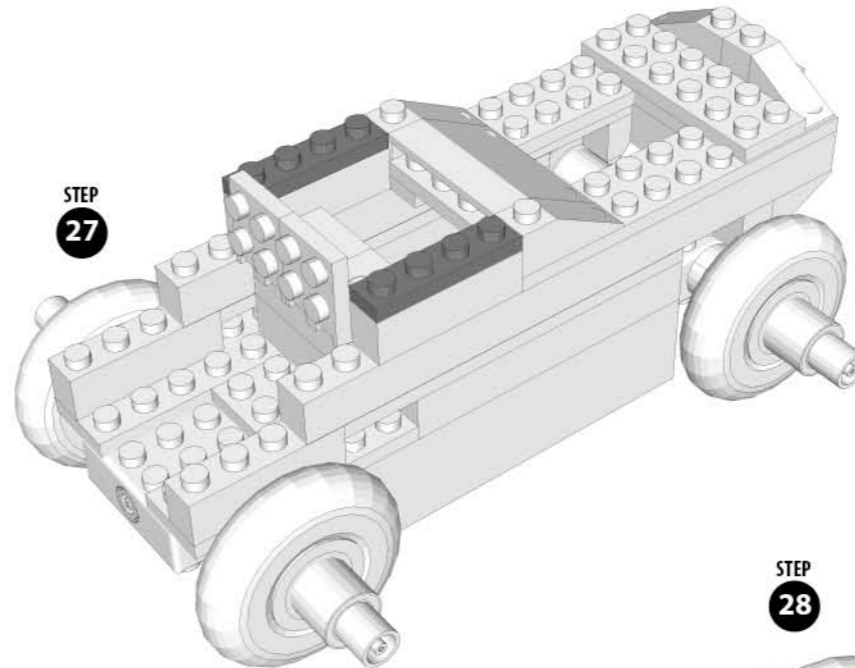
STEP
25



STEP
26



STEP
27



STEP
28

