

LASER PEGS®

The Ultimate Construction Toy For Kids®

PBI420B

POWER BLOCK
Construction Series

Ages 5+

8 Models+
Any creation you can build

LIGHTED
MOBILE POWER BLOCK™ SET INCLUDES:

- 100 Tinted Bricks
- 4 Tire Pegs
- 2 Square M-M Pegs
- 1 Mobile Power Block™

Requires 3 AAA Batteries

Batteries NOT Included

WARNING: CHOKING HAZARD—Small parts. Not for children under 3 yrs. Do not submerge in water.

DO NOT SUBMERGE IN WATER

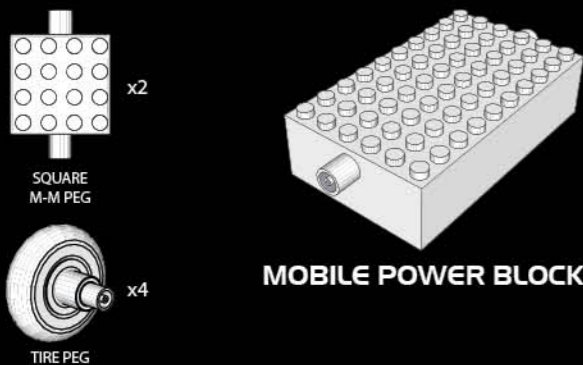
EN71, RoHS COMPLIANT

This product complies to all safety requirements of ASTM F 963

MODEL INSTRUCTIONS

All additional model instructions can be downloaded at www.LaserPegs.com

Laser Pegs® Parts List



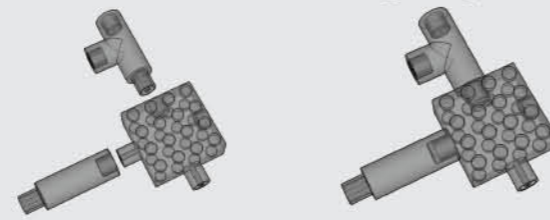
Color Code Each Laser Peg® is color coded on the circuit board inside each shape.



www.LaserPegs.com

This manual is copyright and cannot be reproduced or used online without Laser Pegs® Ventures LLC permission. Copyright 2014 © All Rights Reserved US Patent #7,731,558 Additional Global & Multiple Patents Pending. Laser Pegs® Ventures LLC, 8304 Consumer Ct., Sarasota FL 34240. Contact: Support@LaserPegs.com

Connecting Pegs



To construct with Laser Pegs®, slide two pieces together to form a connection. Slide each piece on and off smoothly.

POWER BLOCK

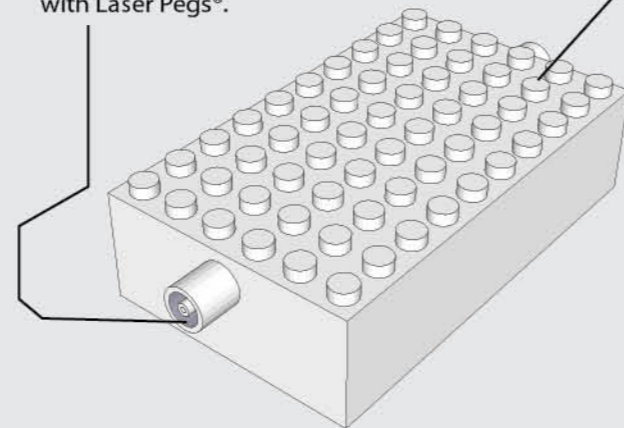
The Power Block is a Power Base that allows you to build with Laser Pegs® and construction parts to build models that light up. It is battery operated. (BATTERIES NOT INCLUDED.)

Laser Pegs® Connections

Allows you to construct with Laser Pegs®.

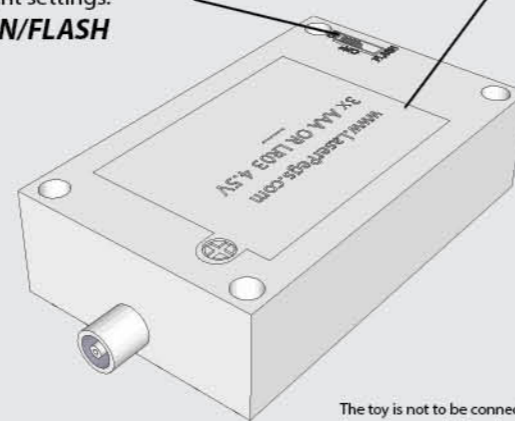
Construction Part Connections

Allows you to connect to other construction kits.



Power Switch

Move the Power Switch to cycle through the Power Block light settings.
OFF/ON/FLASH

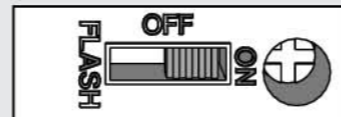


Battery Compartment

Requires 3-AAA Batteries (Batteries Not Included)

LIGHT SETTINGS

OFF - Turns lights OFF
ON - Turns lights ON
FLASH - Makes lights FLASH



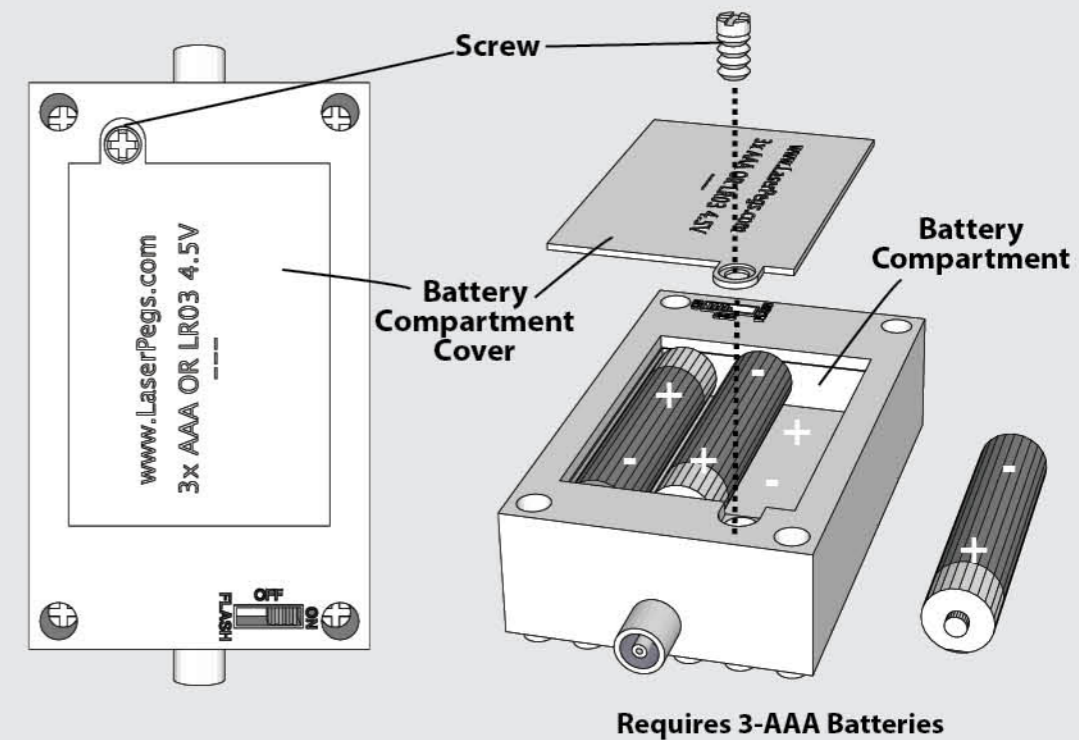
WARNING: STROBE LIGHTS MAY CAUSE SEIZURES

WARNING! Each Laser Peg® draws current from the batteries. Therefore, the more pegs you use, the quicker you will deplete your battery power! As the power weakens, the current will slowly fail and some Laser Pegs® will illuminate (typically the reds and yellows) and some won't. When the Laser Pegs® dim, the Laser Pegs® are not broken, they just need stronger batteries. You have 2 simple options...
1. Change the batteries.
2. Use high quality batteries. They will last a little longer, but they will still deplete rapidly the more Laser Pegs® you connect!

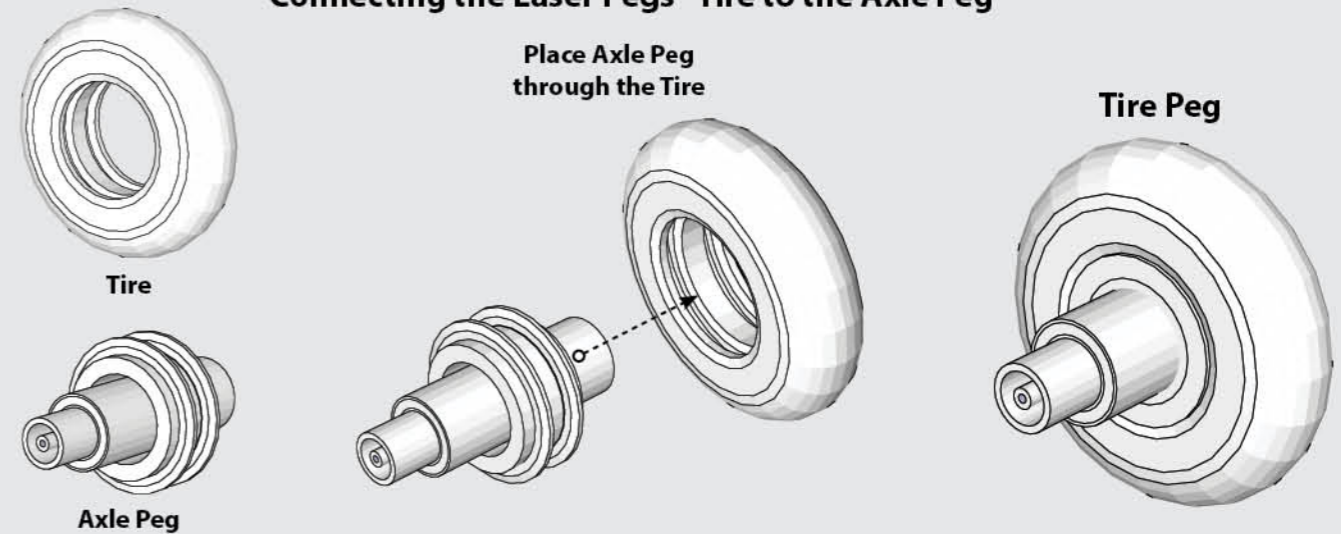
Replacing Batteries

1. Remove Screw.
2. Lift off Battery Compartment Cover.
3. Place three (3) AAA batteries in the correct position - as displayed inside of the Power Block.
4. Replace Battery Compartment Cover and Screw.
5. Slide Power Switch setting to OFF/ON/FLASH.
6. Do not mix old and new batteries.
7. Do not mix alkaline, standard (carbon-zinc), or rechargeable (nickel-cadmium, NiMH) batteries!
8. Exhausted batteries are to be removed from the power base.
9. Never connect more than 30 Laser Pegs® at one time!
10. Non-rechargeable batteries are not to be recharged.
11. Rechargeable batteries are only to be recharged under adult supervision.
12. Rechargeable batteries are to be removed from the toy before being recharged.
13. Batteries are to be inserted with the correct polarity.
14. The supply terminals are not to be short-circuited.
15. DO NOT THROW BATTERIES INTO FIRE!

Remove the Phillips head screw with a 4mm screw driver.
Requires 3-AAA Batteries
Batteries NOT Included



Connecting the Laser Pegs® Tire to the Axle Peg

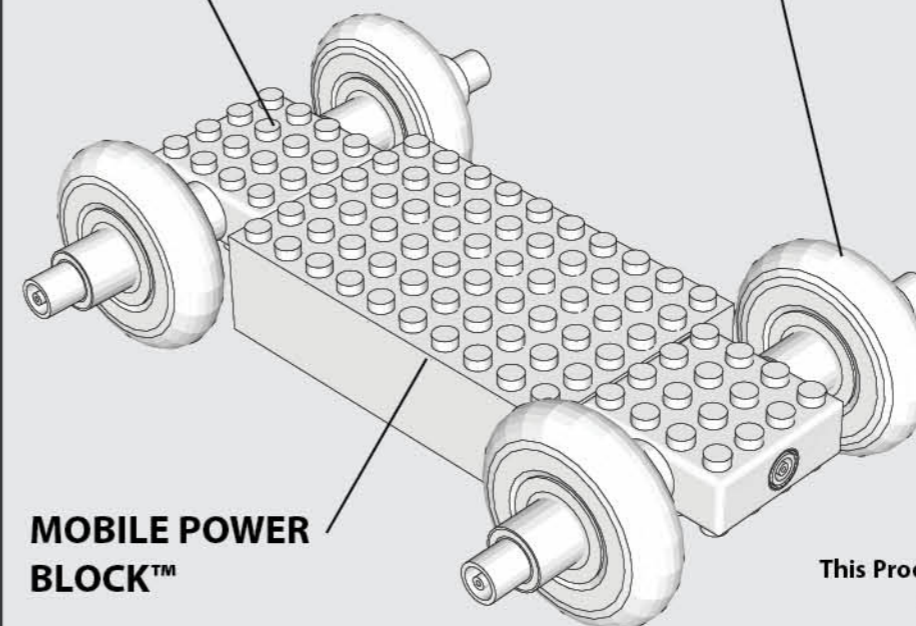


POWER BLOCK™

Use the Laser Pegs® Square M-M Peg to attach the Tire Pegs to the Power Block™.

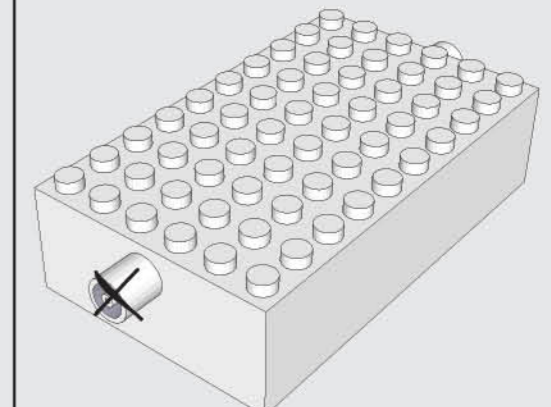
Laser Pegs® Square M-M Peg

Tire Peg



AVOID DAMAGE TO PEG HOLES

*To avoid short-circuits, keep metal objects and other unauthorized materials from obstructing the peg holes.



Never connect more than 30 Laser Pegs® to the Power Block at one time.

This Product contains a button battery. If swallowed, it could cause severe injury or death in just 2 hours. Seek medical attention immediately.

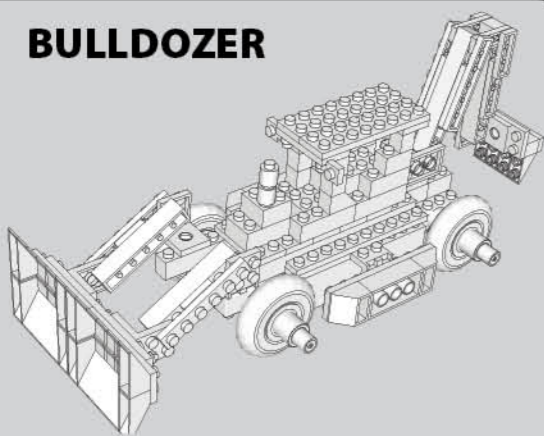
BULLDOZER: With a weight of over 183 tons, the ACCO Super Bulldozer is the largest bulldozer ever built.



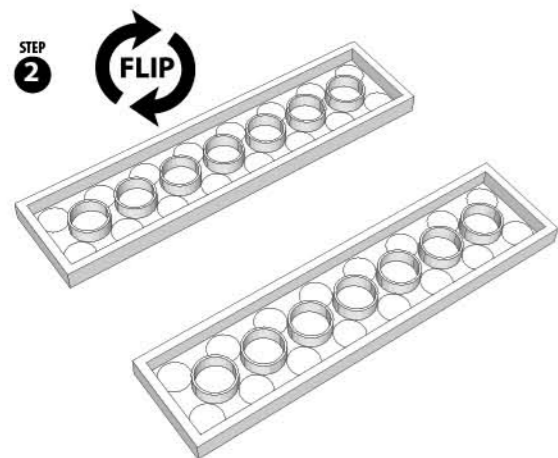
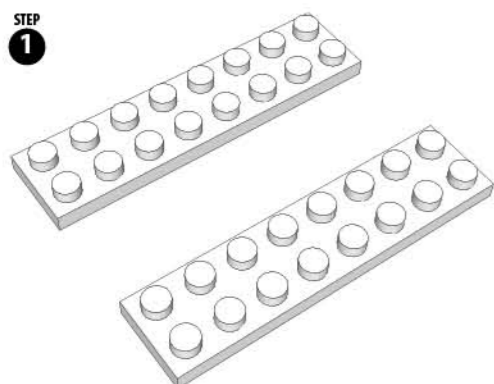
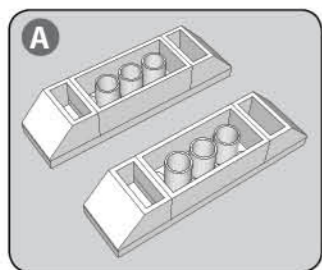
BULLDOZER

Model
Difficulty
Level

3

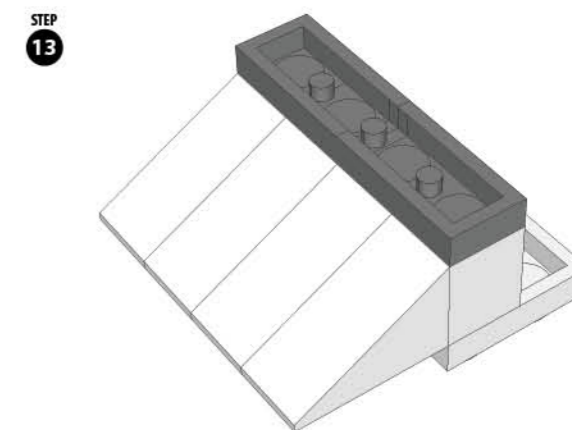
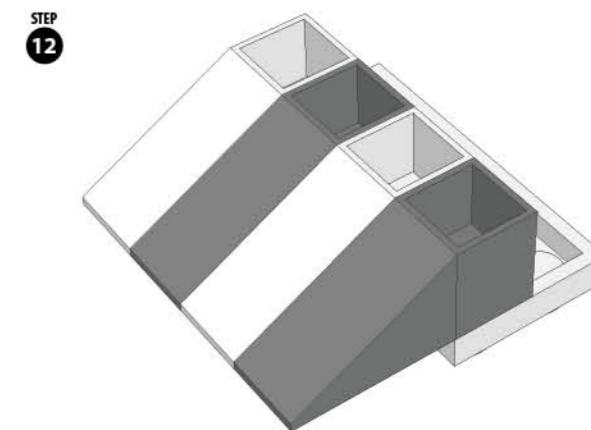
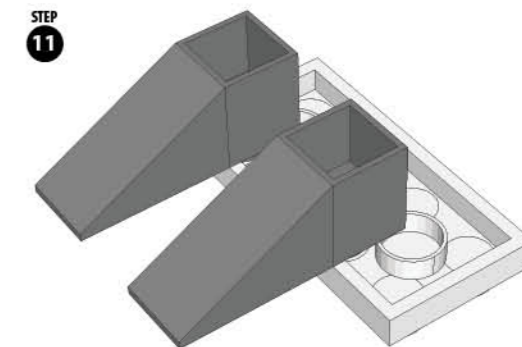
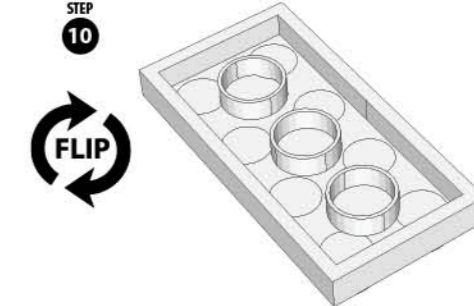
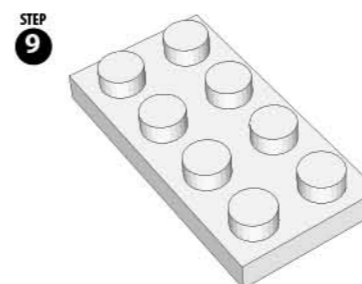
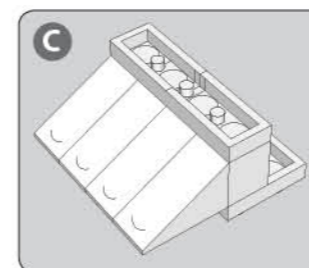
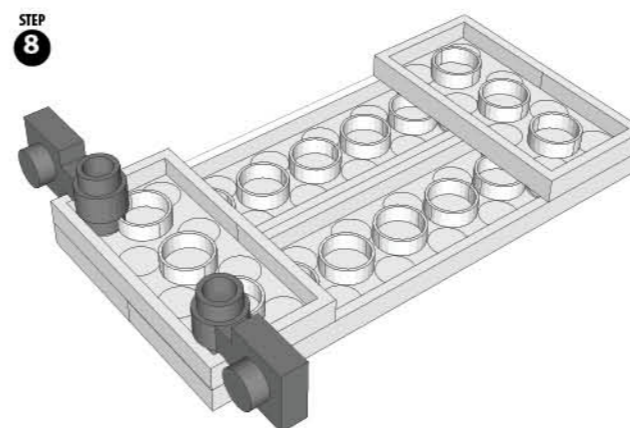
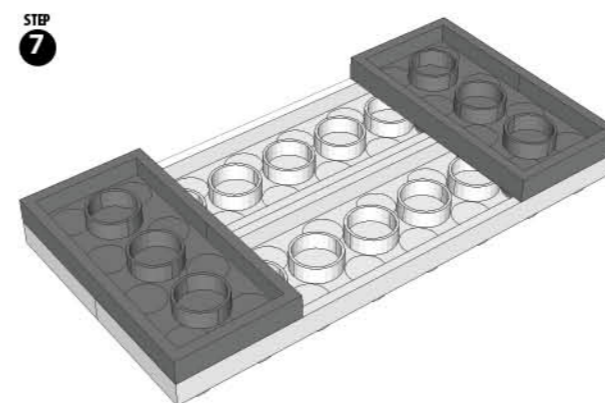
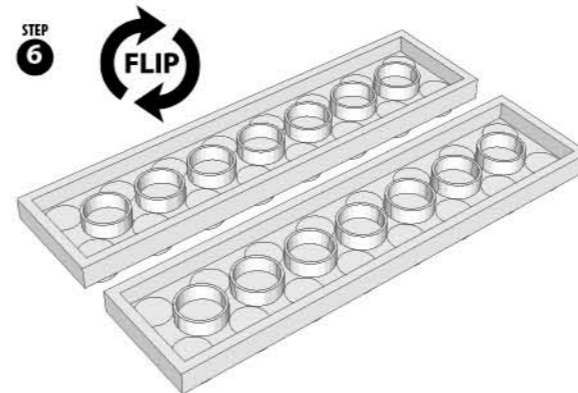
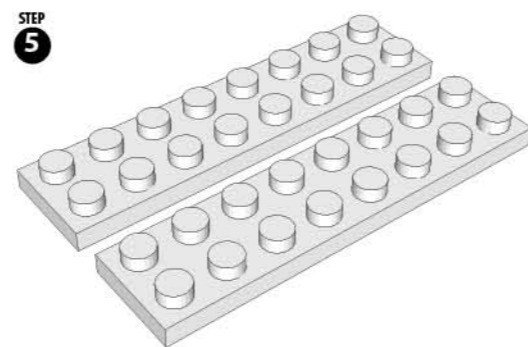
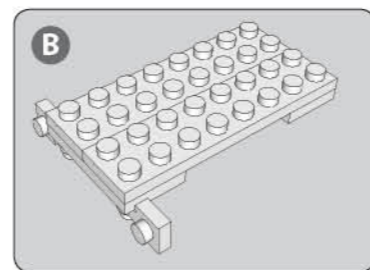
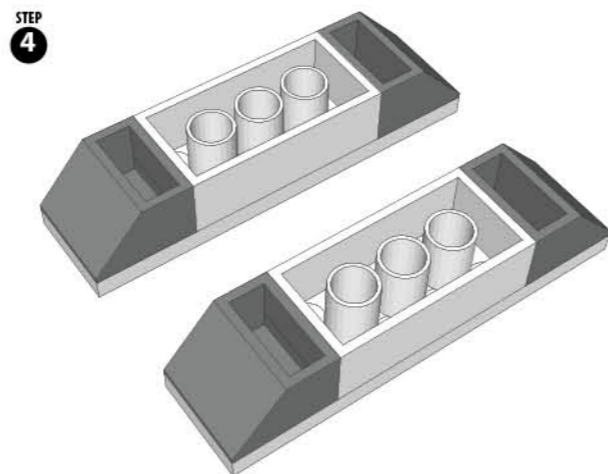
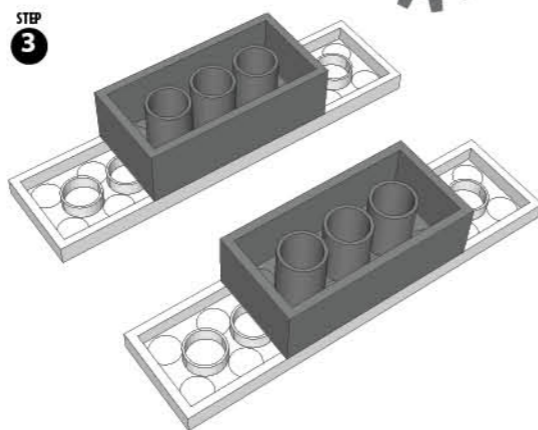


The TRY-ME mechanism is for display purposes ONLY and should be discarded as per state and local regulations. It is NOT intended to be used for the building of this model.



Environmental Phenomena

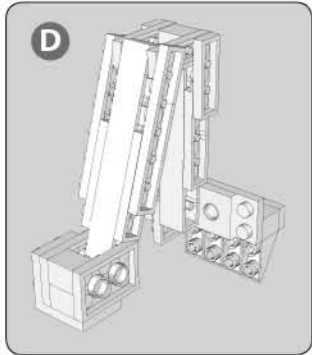
* The unit may malfunction if subjected to radio-frequency interference. It SHOULD revert to normal operation when the interference stops. If not, it may become necessary to turn the power off and back on, or remove and reinstall the batteries. * In the unlikely event of an electrostatic discharge, the unit may malfunction and lose memory, requiring the user to reset the device by removing and reinstalling the batteries.



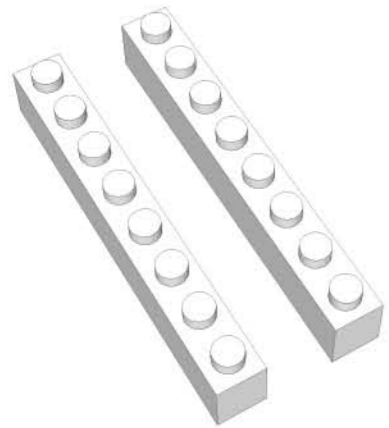
MADE IN CHINA

www.LaserPegs.com

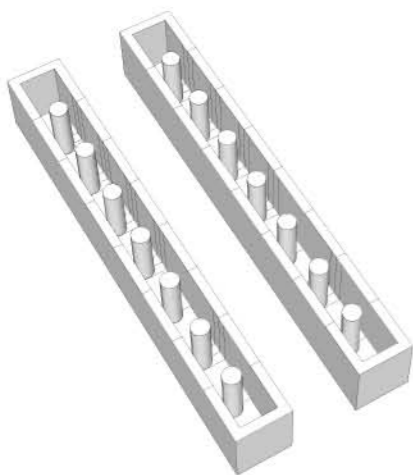
Copyright 2014 © All Rights Reserved Global & Multiple Patents Pending.
US Patent #7,731,558



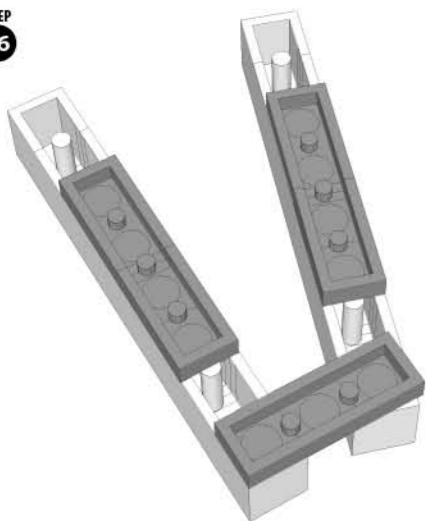
STEP 14



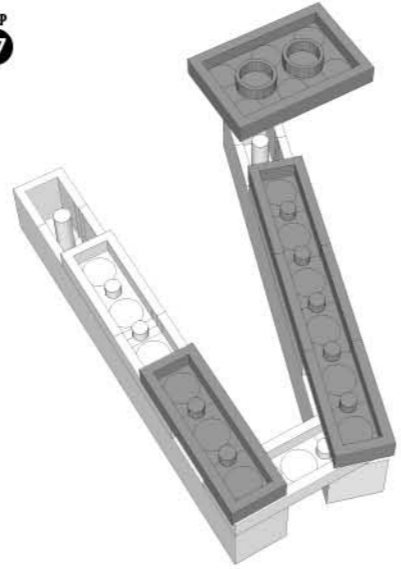
STEP 15
FLIP



STEP 16



STEP 17

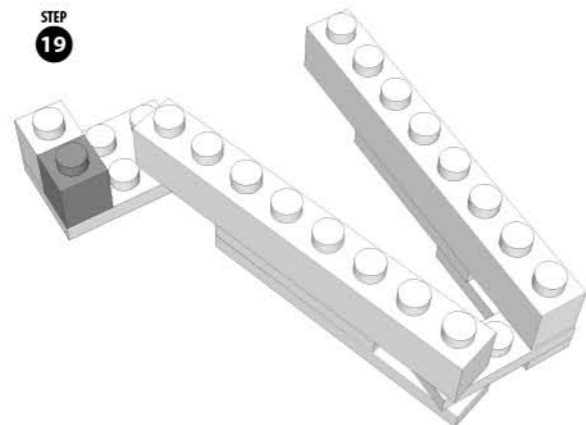


STEP 18

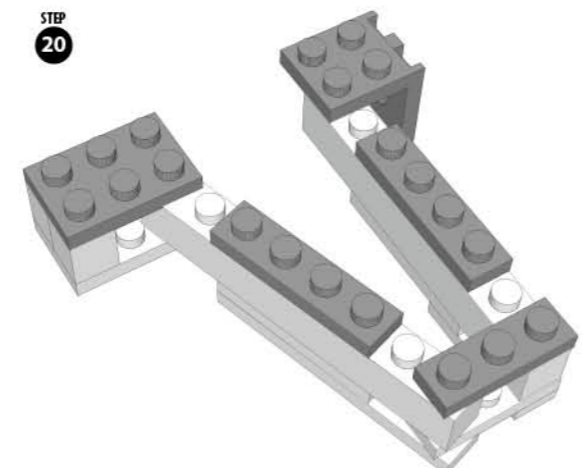
FLIP



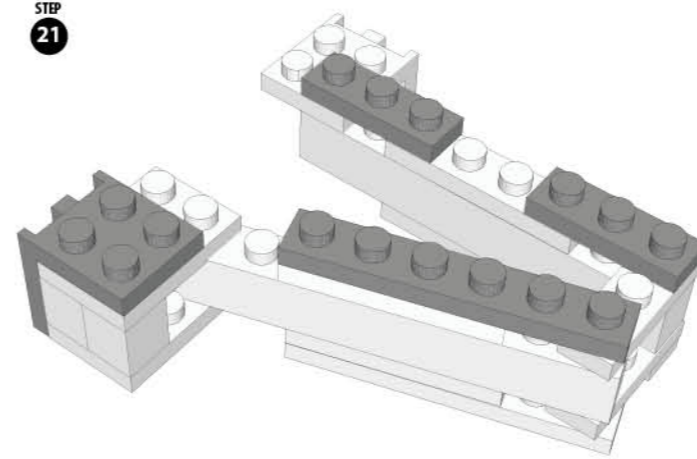
STEP 19



STEP 20



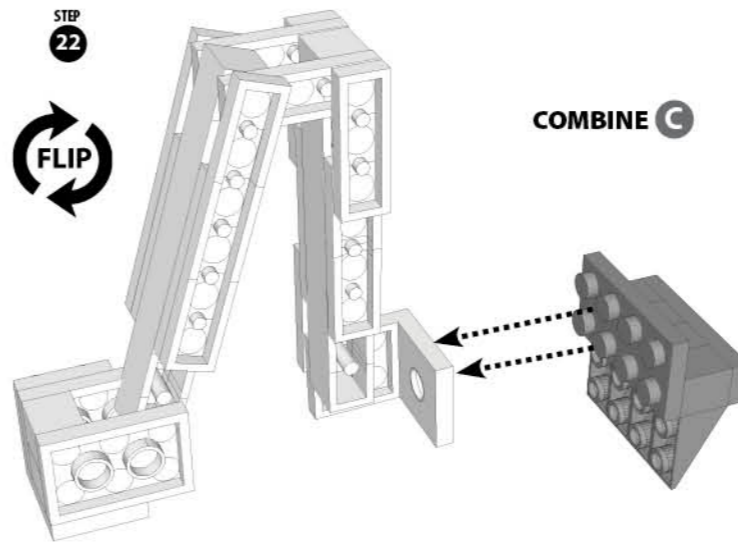
STEP 21



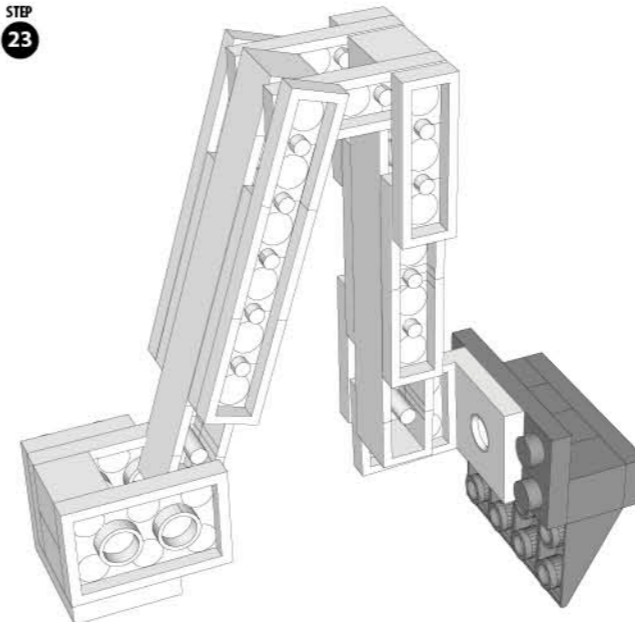
STEP 22

FLIP

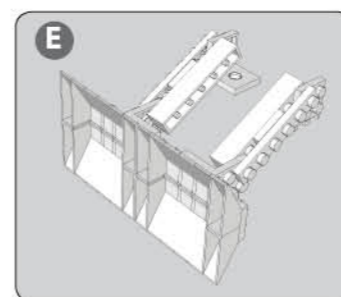
COMBINE C



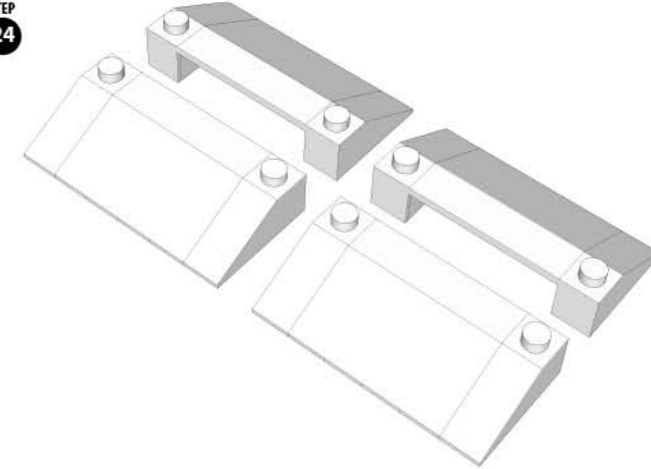
STEP 23



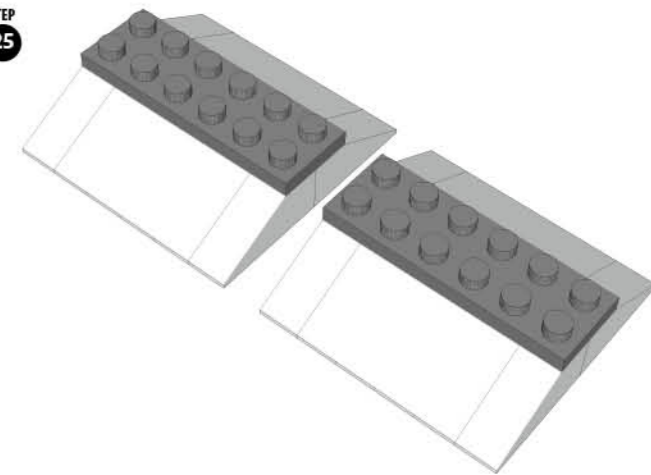
E



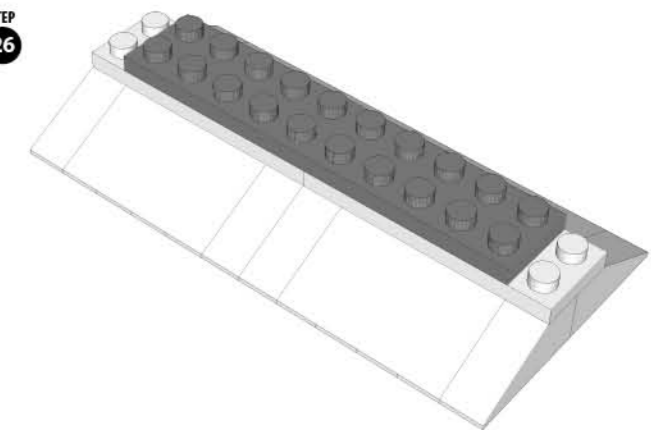
STEP 24



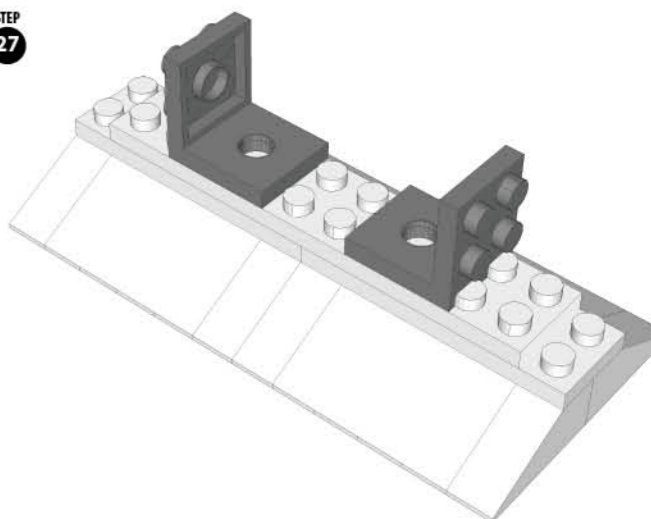
STEP 25



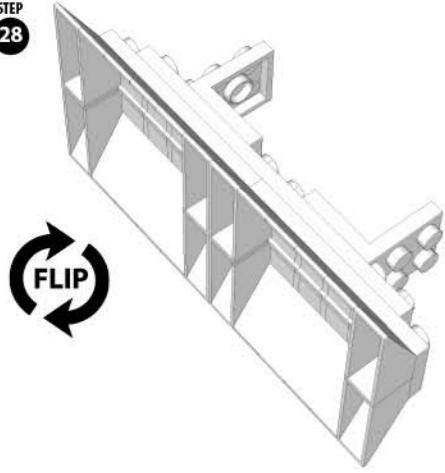
STEP 26



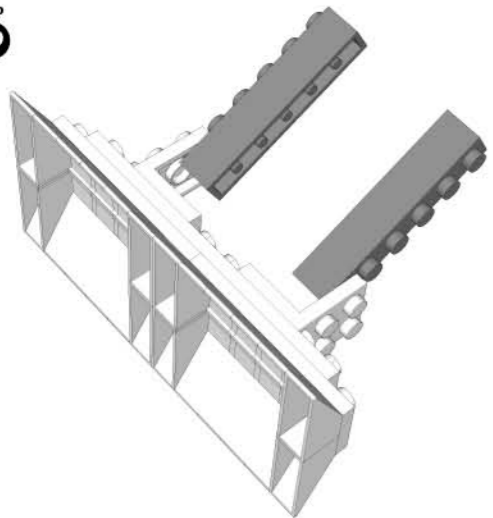
STEP 27



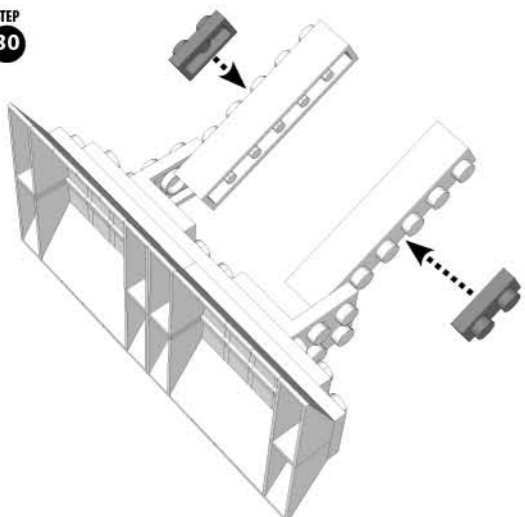
STEP 28



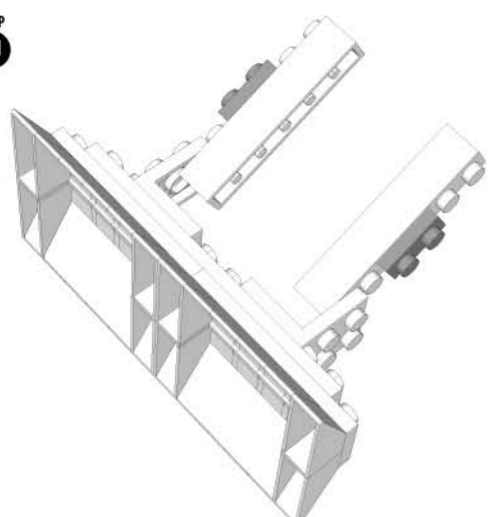
STEP 29



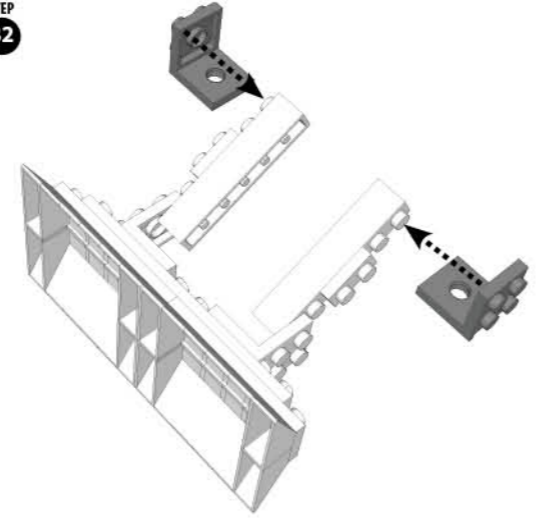
STEP 30



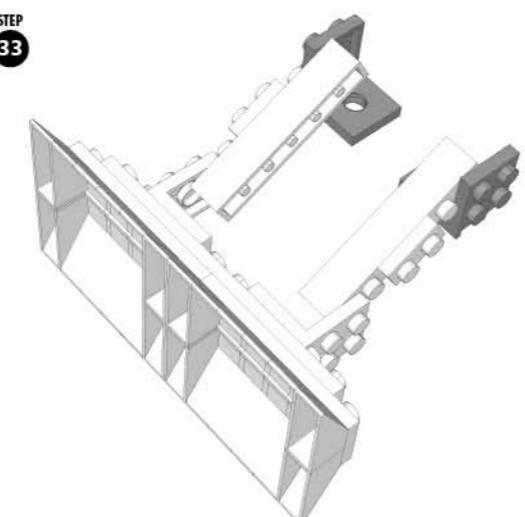
STEP 31



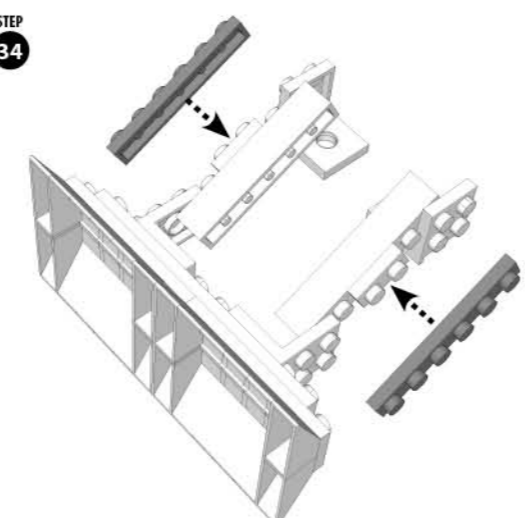
STEP 32



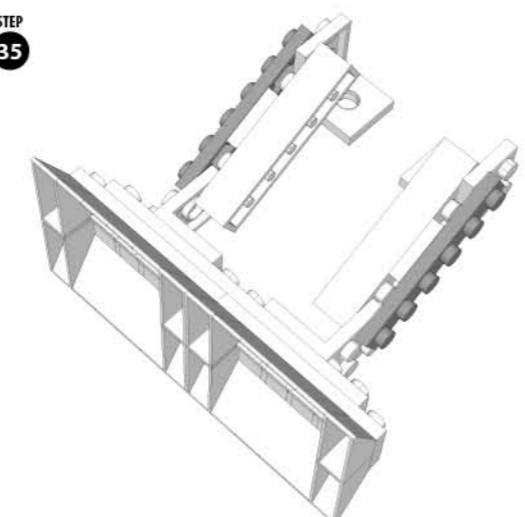
STEP 33



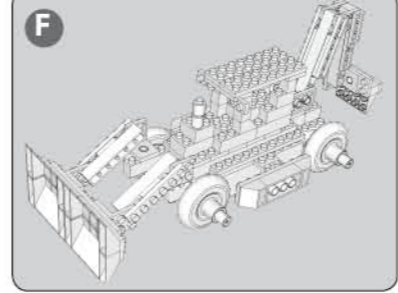
STEP 34



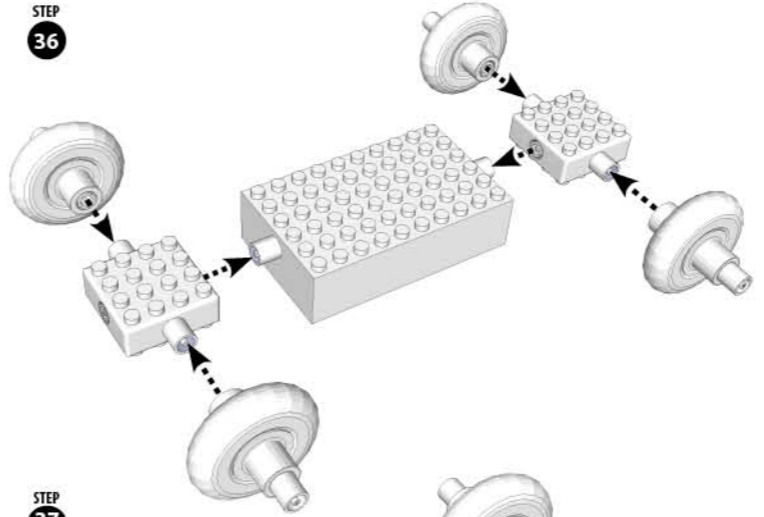
STEP 35



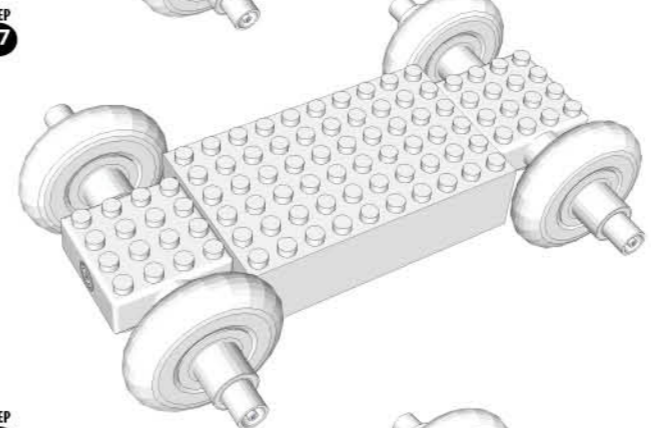
F



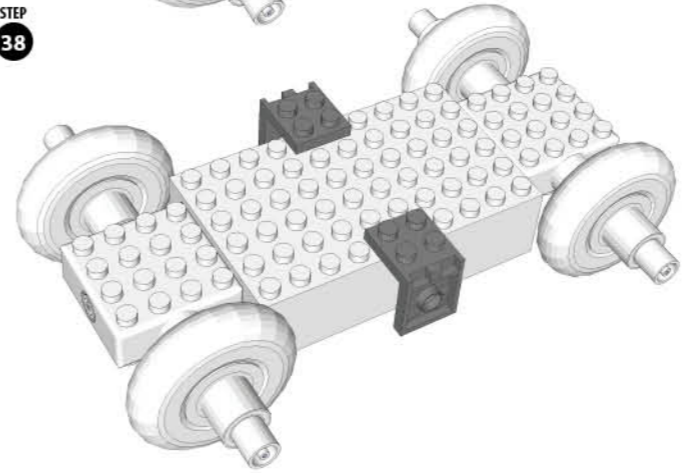
STEP 36



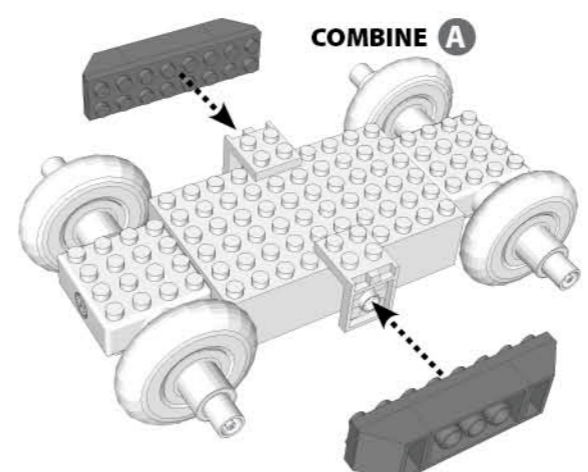
STEP 37



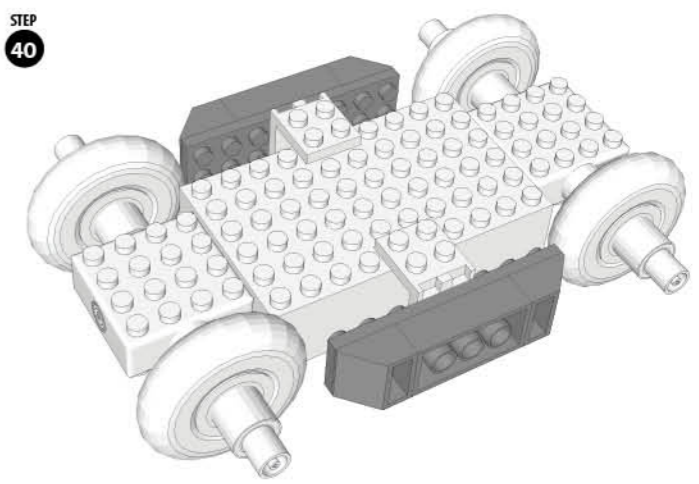
STEP 38



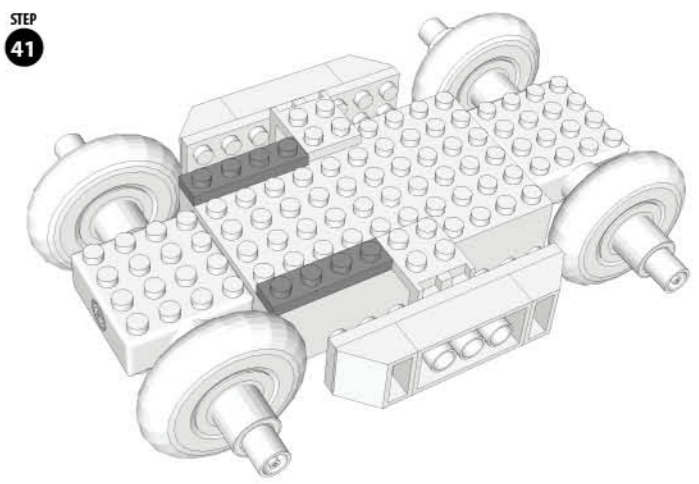
STEP 39



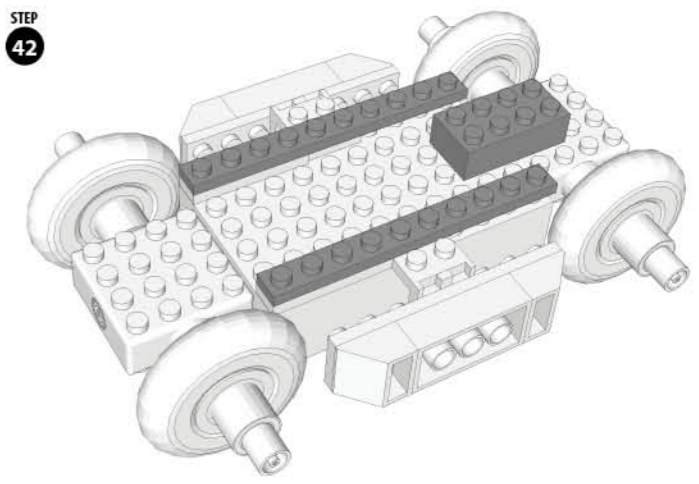
STEP 40



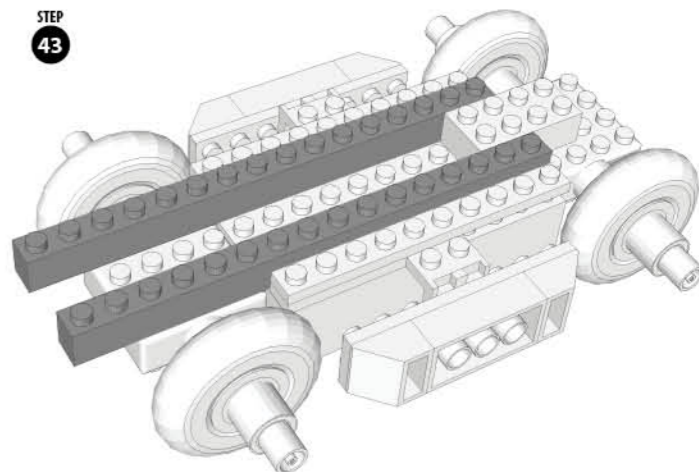
STEP 41



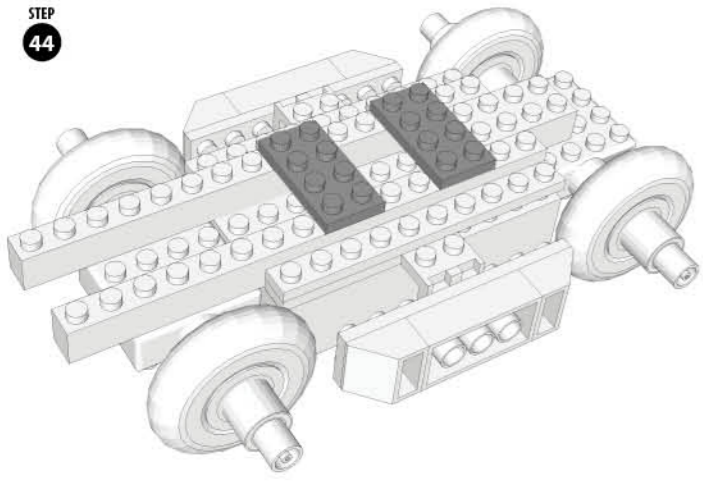
STEP 42



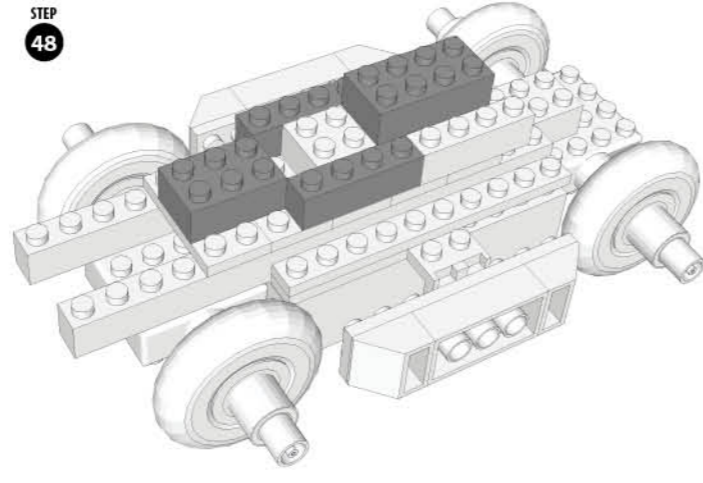
STEP 43



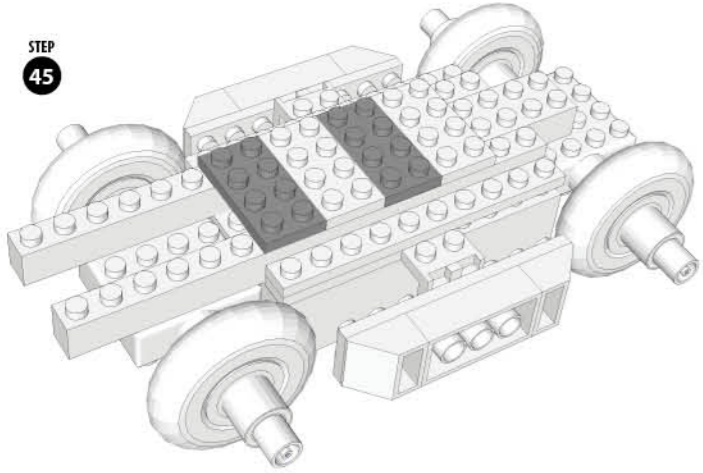
STEP 44



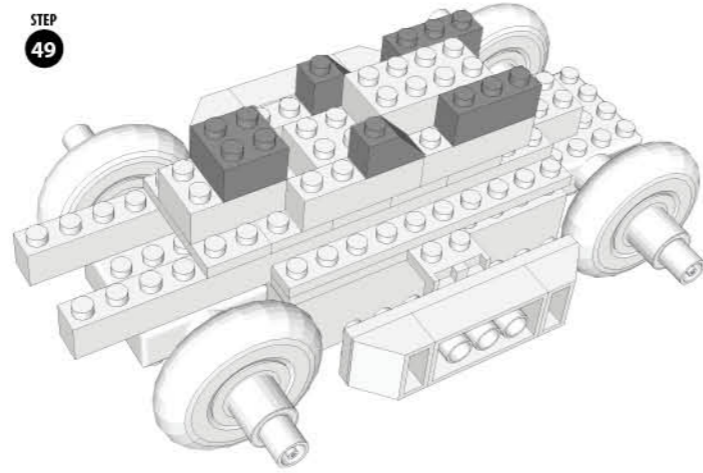
STEP 48



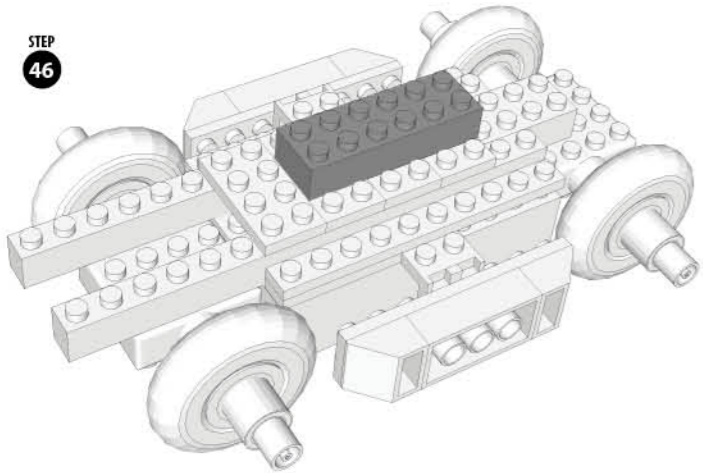
STEP 45



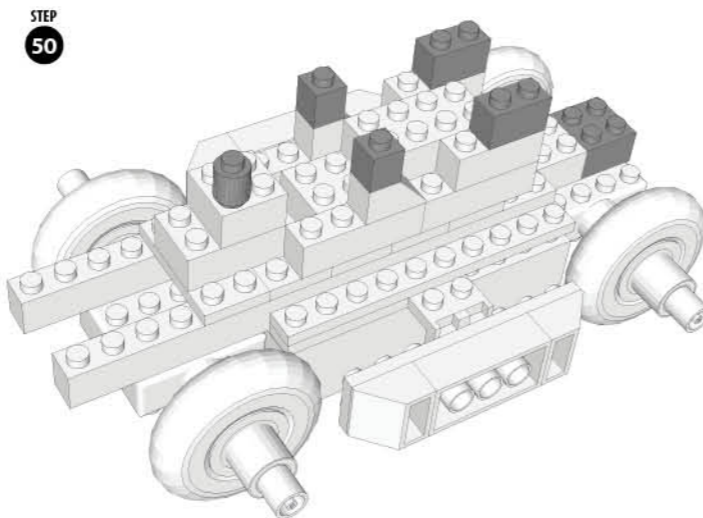
STEP 49



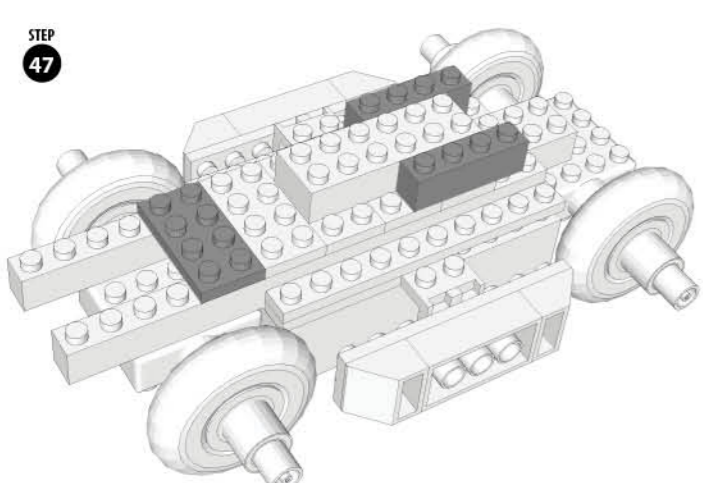
STEP 46



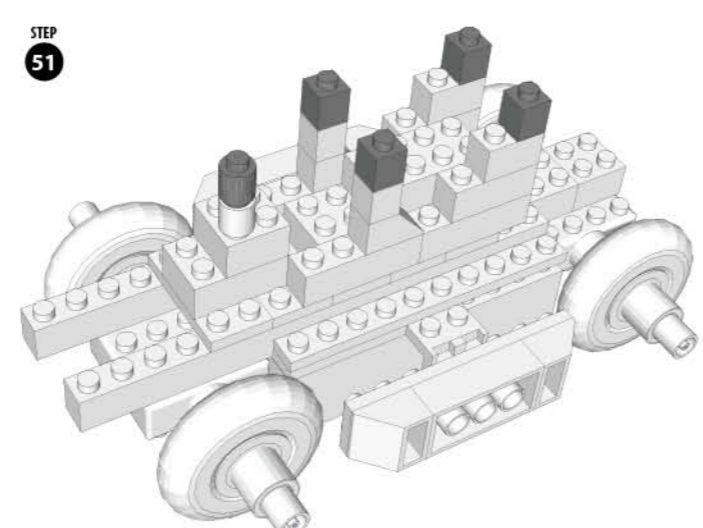
STEP 50



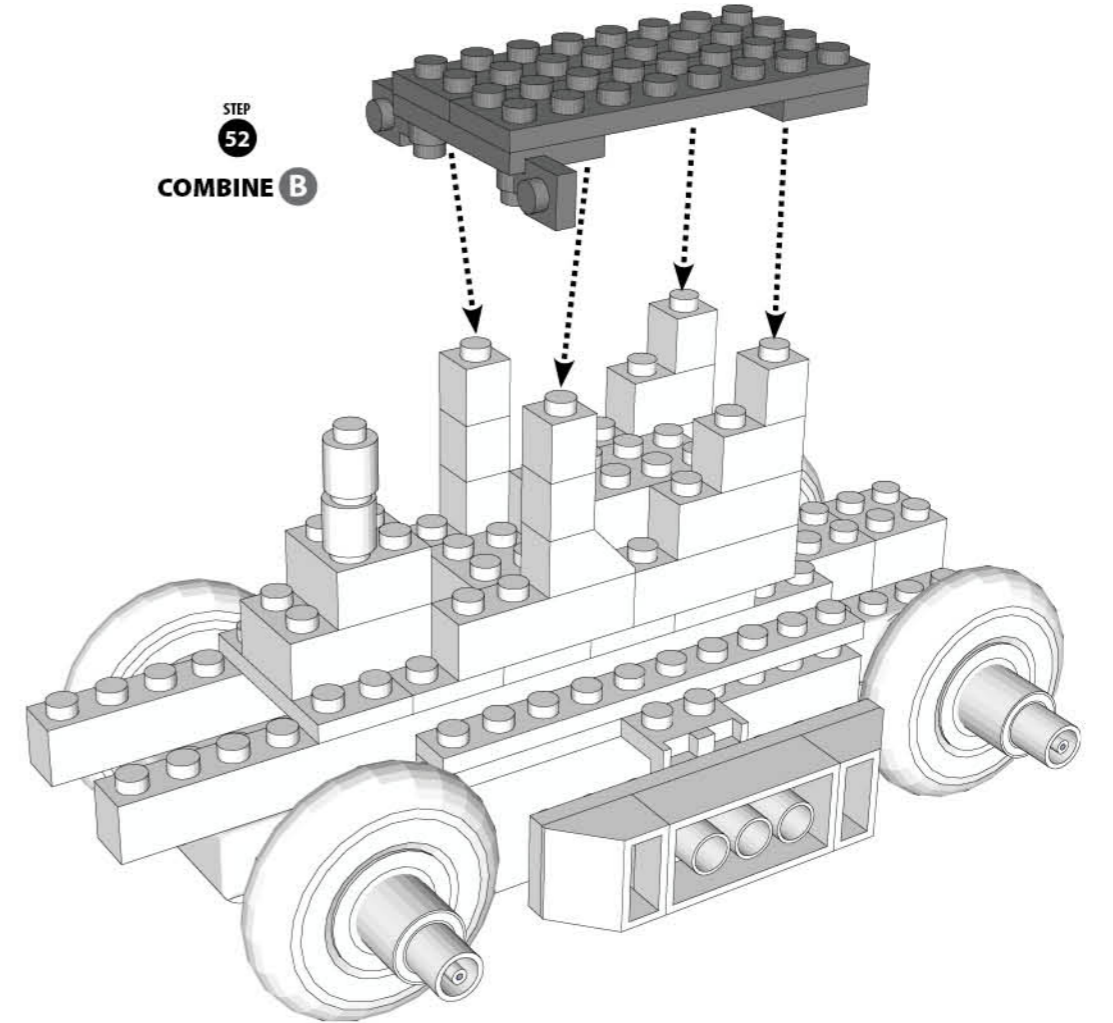
STEP 47



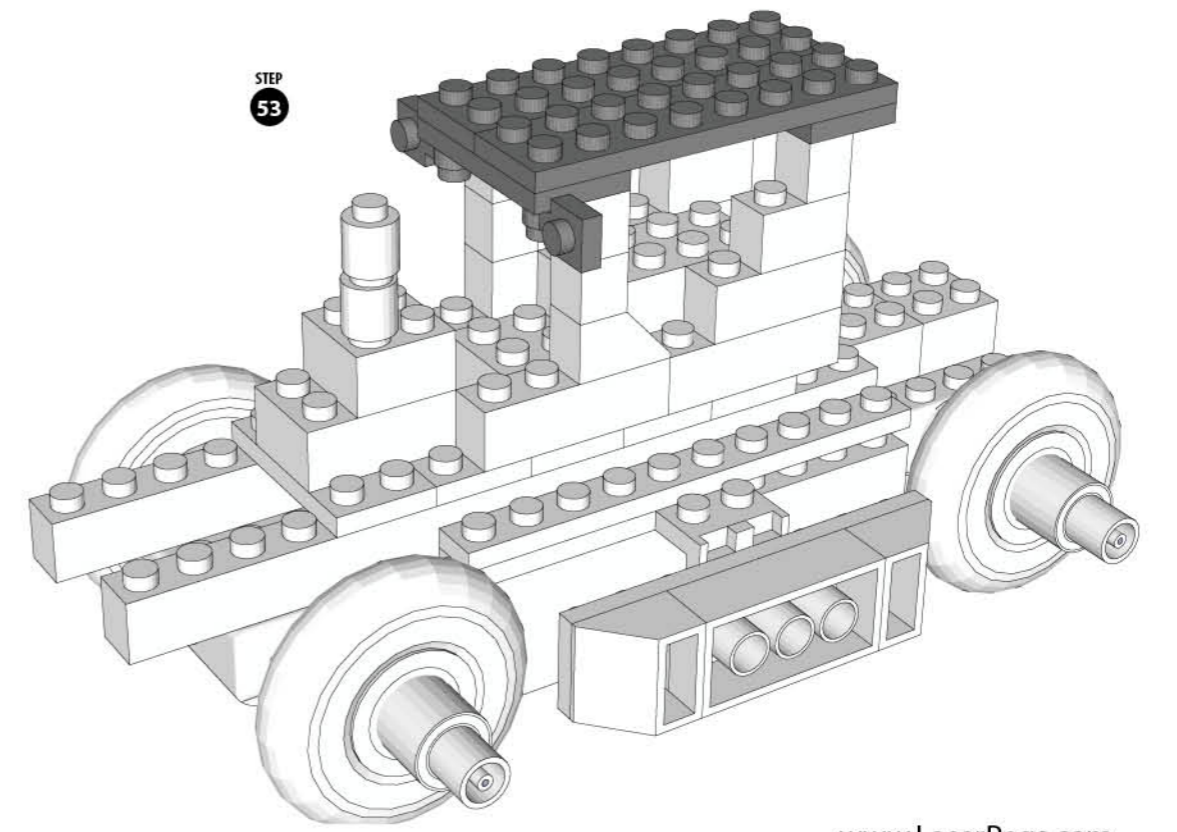
STEP 51



STEP 52
COMBINE B



STEP 53



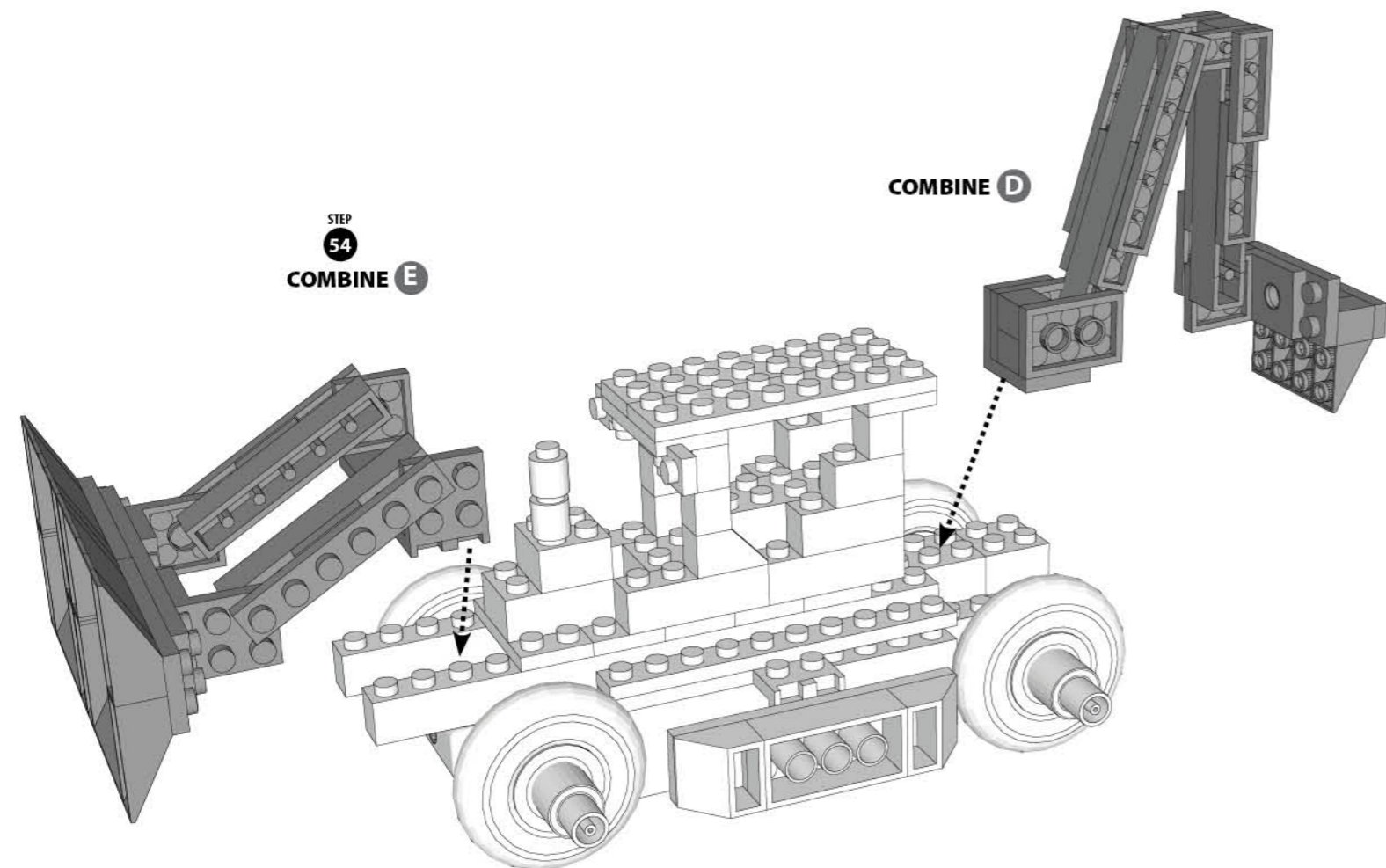
MODEL INSTRUCTIONS

All additional model instructions can be downloaded at www.LaserPegs.com

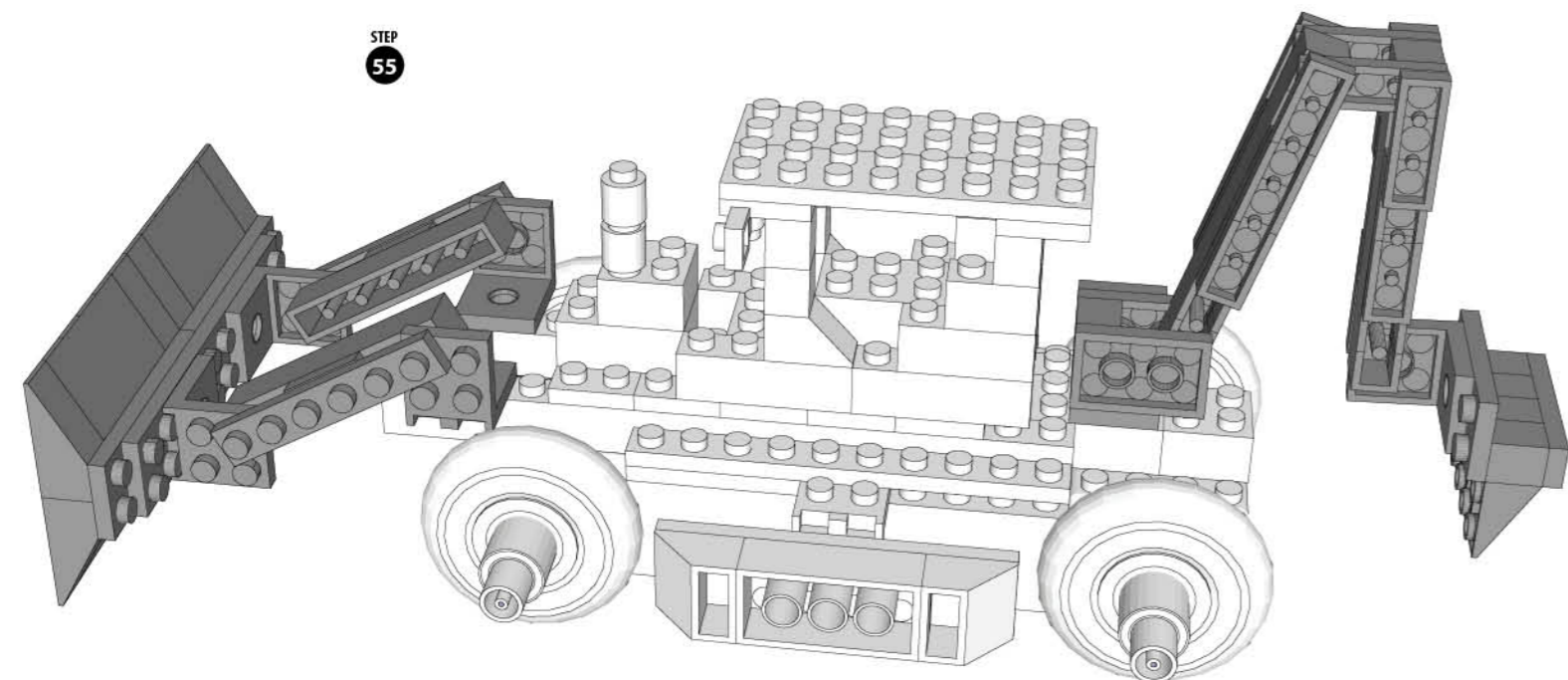
Laser Pegs® CARES
Questions? Comments?
For additional compliance info:
1-866-432-3735
Contact: Support@LaserPegs.com

STEP 54
COMBINE E

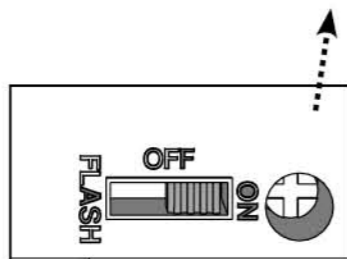
COMBINE D



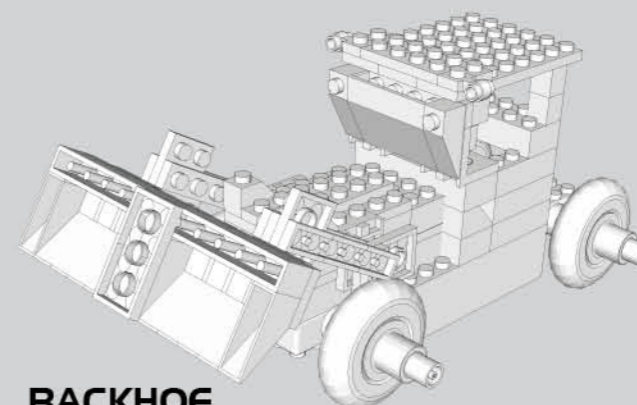
STEP 55



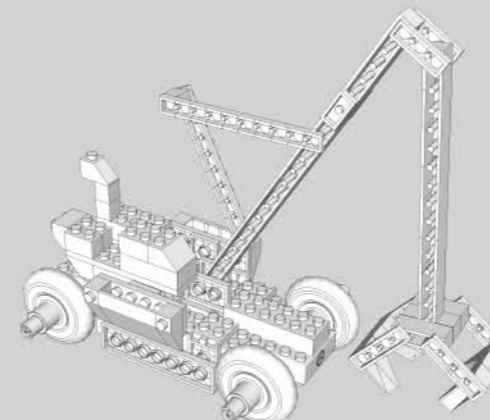
Slide the switch to Light It Up



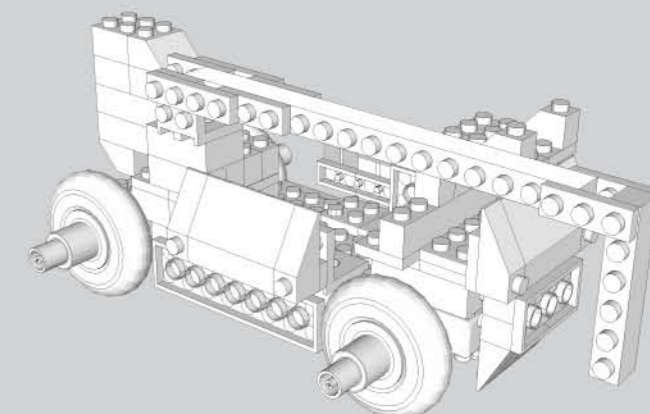
OFF - Turns lights OFF
ON - Turns lights ON
FLASH - Makes lights FLASH



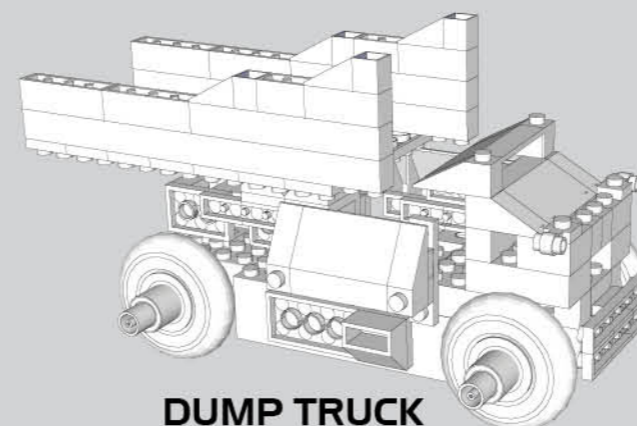
BACKHOE



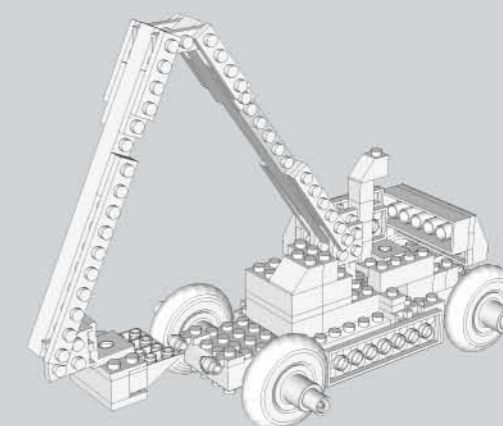
CLAW CRANE



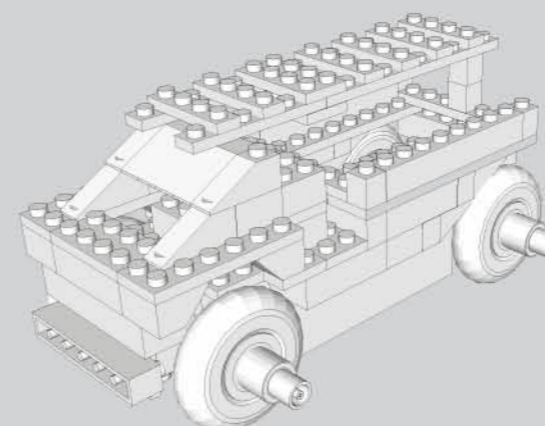
CRANE TRUCK



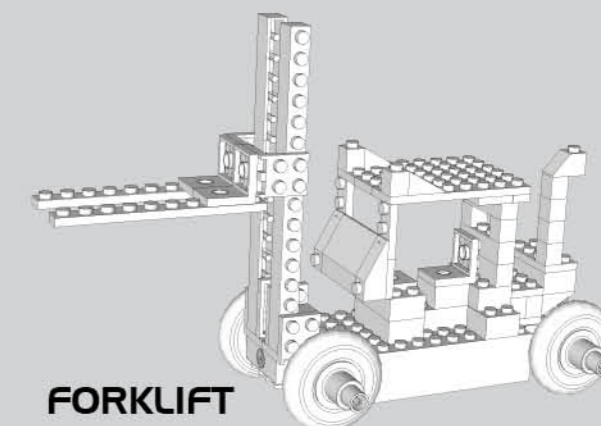
DUMP TRUCK



EXCAVATOR



FOREMAN UTILITY TRUCK



FORKLIFT

MADE IN CHINA

www.LaserPegs.com

Copyright 2014 © All Rights Reserved Global & Multiple Patents Pending.
US Patent #7,731,558

LASER PEGS®

The Ultimate Construction Toy For Kids®

PBI420B

POWER BLOCK
Construction Series

Ages 5+

8 Models+
Any creation you can build

LIGHTED
MOBILE POWER BLOCK™ SET INCLUDES:

- 100 Tinted Bricks
- 4 Tire Pegs
- 2 Square M-M Pegs
- 1 Mobile Power Block™

Requires 3 AAA Batteries

Batteries NOT Included

WARNING: CHOKING HAZARD—Small parts. Not for children under 3 yrs. Do not submerge in water.

DO NOT SUBMERGE IN WATER

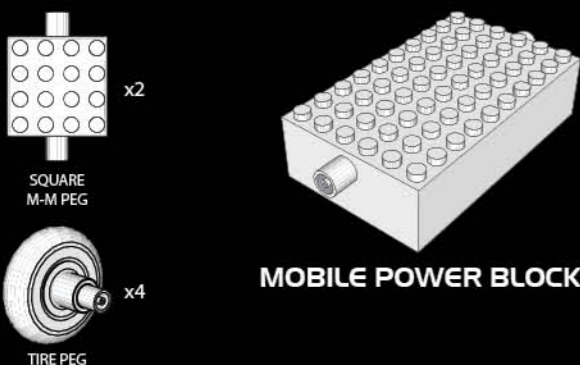
EN71, RoHS COMPLIANT

This product complies to all safety requirements of ASTM F 963

MODEL INSTRUCTIONS

All additional model instructions can be downloaded at www.LaserPegs.com

Laser Pegs® Parts List



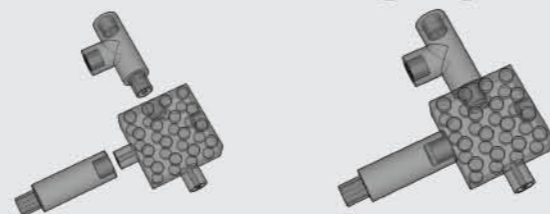
Color Code Each Laser Peg® is color coded on the circuit board inside each shape.



www.LaserPegs.com

This manual is copyright and cannot be reproduced or used online without Laser Pegs® Ventures LLC permission. Copyright 2014 © All Rights Reserved US Patent #7,731,558 Additional Global & Multiple Patents Pending. Laser Pegs® Ventures LLC, 8304 Consumer Ct., Sarasota FL 34240. Contact: Support@LaserPegs.com

Connecting Pegs



To construct with Laser Pegs®, slide two pieces together to form a connection. Slide each piece on and off smoothly.

POWER BLOCK

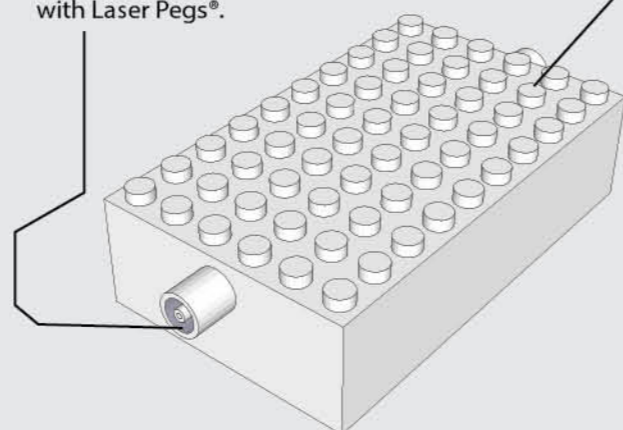
The Power Block is a Power Base that allows you to build with Laser Pegs® and construction parts to build models that light up. It is battery operated. (BATTERIES NOT INCLUDED.)

Laser Pegs® Connections

Allows you to construct with Laser Pegs®.

Construction Part Connections

Allows you to connect to other construction kits.

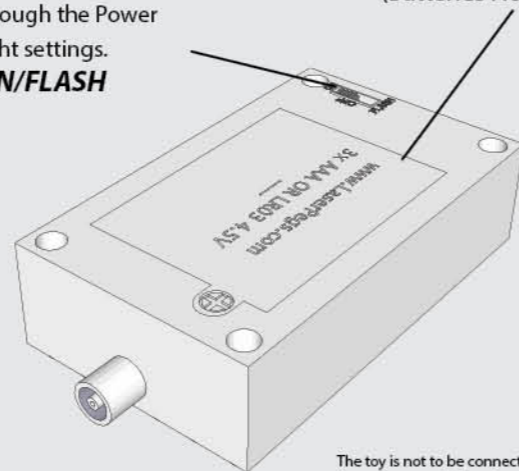


Power Switch

Move the Power Switch to cycle through the Power Block light settings. **OFF/ON/FLASH**

Battery Compartment

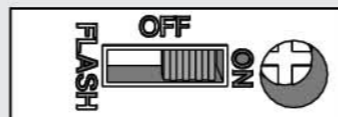
Requires 3-AAA Batteries (Batteries Not Included)



The toy is not to be connected to more than the recommended number of power supplies

LIGHT SETTINGS

OFF - Turns lights OFF
ON - Turns lights ON
FLASH - Makes lights FLASH



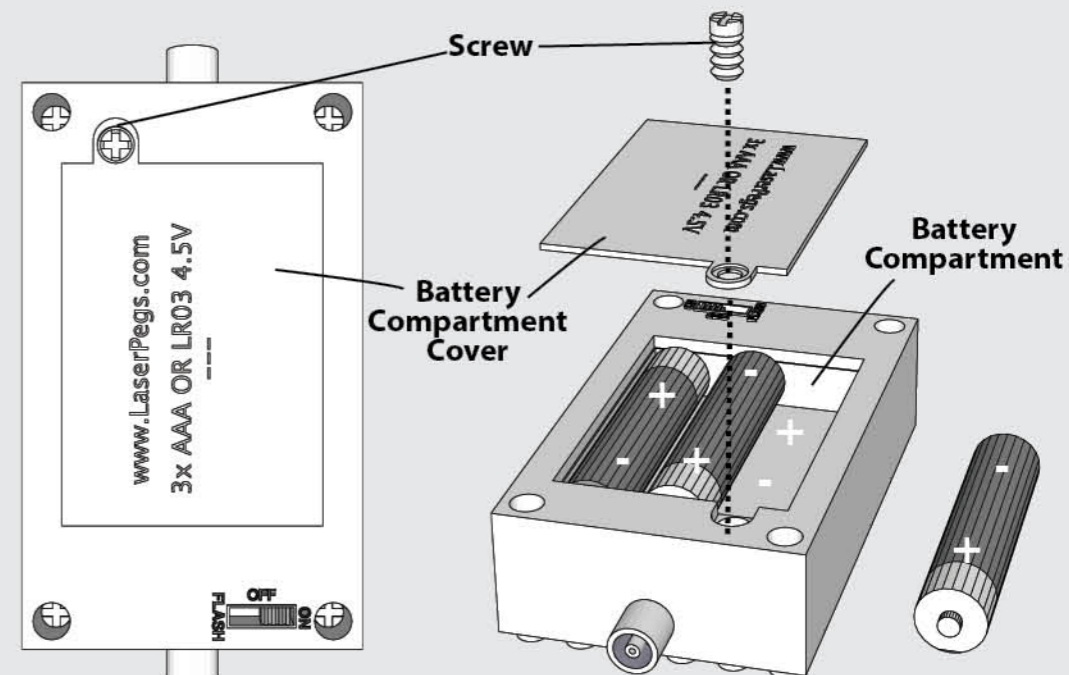
WARNING: STROBE LIGHTS MAY CAUSE SEIZURES

WARNING! Each Laser Peg® draws current from the batteries. Therefore, the more pegs you use, the quicker you will deplete your battery power! As the power weakens, the current will slowly fail and some Laser Pegs® will illuminate (typically the reds and yellows) and some won't. When the Laser Pegs® dim, the Laser Pegs® are not broken, they just need stronger batteries. You have 2 simple options...
1. Change the batteries.
2. Use high quality batteries. They will last a little longer, but they will still deplete rapidly the more Laser Pegs® you connect!

Replacing Batteries

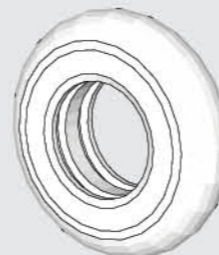
1. Remove Screw.
2. Lift off Battery Compartment Cover.
3. Place three (3) AAA batteries in the correct position - as displayed inside of the Power Block.
4. Replace Battery Compartment Cover and Screw.
5. Slide Power Switch setting to OFF/ON/FLASH.
6. Do not mix old and new batteries.
7. Do not mix alkaline, standard (carbon-zinc), or rechargeable (nickel-cadmium, NiMH) batteries!
8. Exhausted batteries are to be removed from the power base.
9. Never connect more than 30 Laser Pegs® at one time!
10. Non-rechargeable batteries are not to be recharged.
11. Rechargeable batteries are only to be recharged under adult supervision.
12. Rechargeable batteries are to be removed from the toy before being recharged.
13. Batteries are to be inserted with the correct polarity.
14. The supply terminals are not to be short-circuited.
15. DO NOT THROW BATTERIES INTO FIRE!

Remove the Phillips head screw with a 4mm screw driver. **Requires 3-AAA Batteries** Batteries NOT Included

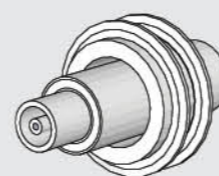


Requires 3-AAA Batteries

Connecting the Laser Pegs® Tire to the Axle Peg

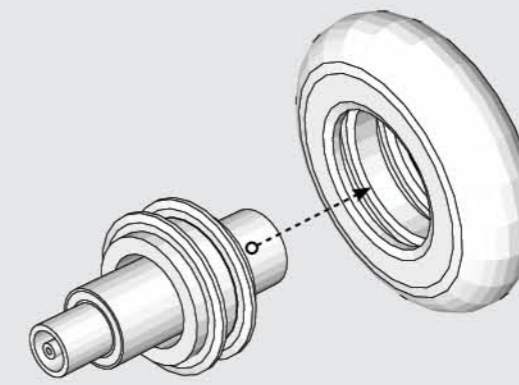


Tire

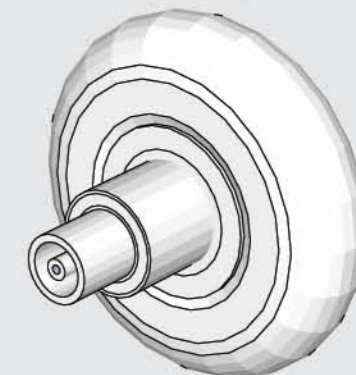


Axle Peg

Place Axle Peg through the Tire



Tire Peg

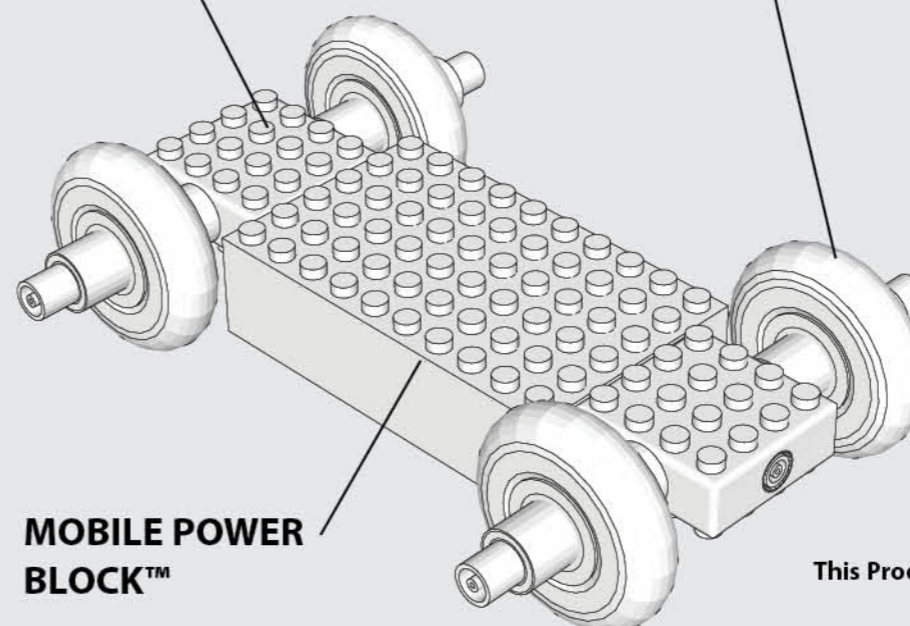


POWER BLOCK™

Use the Laser Pegs® Square M-M Peg to attach the Tire Pegs to the Power Block™.

Laser Pegs® Square M-M Peg

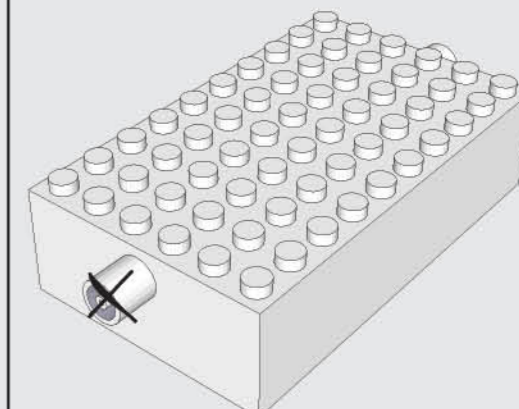
Tire Peg



MOBILE POWER BLOCK™

AVOID DAMAGE TO PEG HOLES

*To avoid short-circuits, keep metal objects and other unauthorized materials from obstructing the peg holes.



Never connect more than 30 Laser Pegs® to the Power Block at one time.

This Product contains a button battery. If swallowed, it could cause severe injury or death in just 2 hours. Seek medical attention immediately.

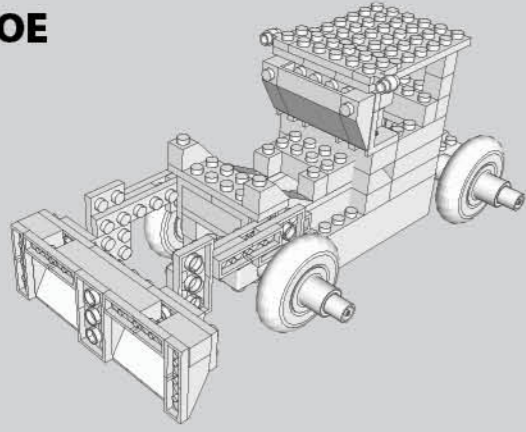
BACKHOE: Early development of hydraulic systems for what would become the backhoe loader proceeded in parallel in the USA and the UK.



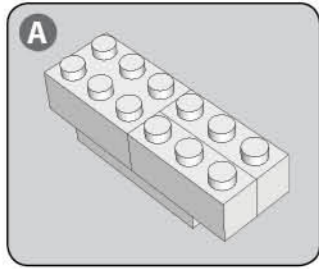
BACKHOE

Model Difficulty Level

4



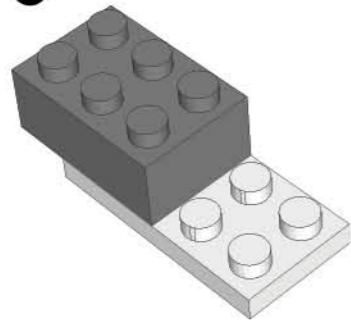
The TRY-ME mechanism is for display purposes ONLY and should be discarded as per state and local regulations. It is NOT intended to be used for the building of this model.



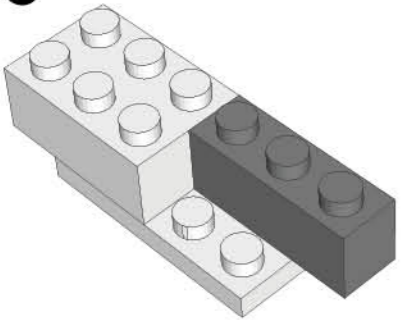
STEP 1



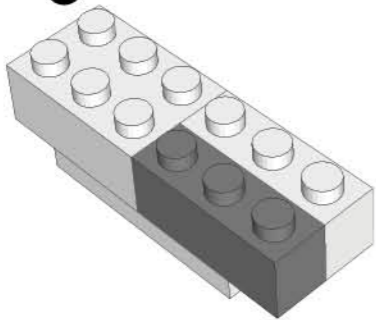
STEP 2



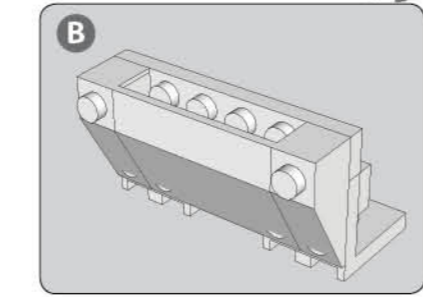
STEP 3



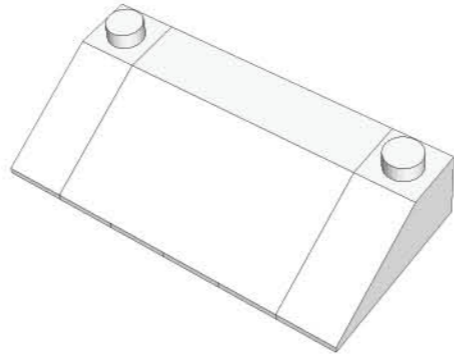
STEP 4



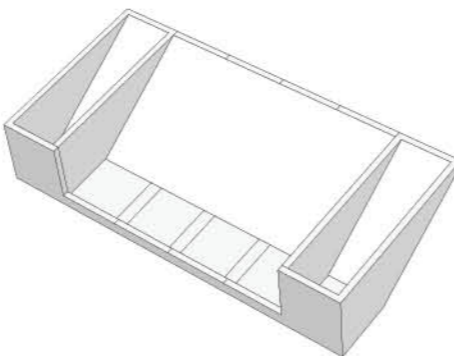
STEP 5



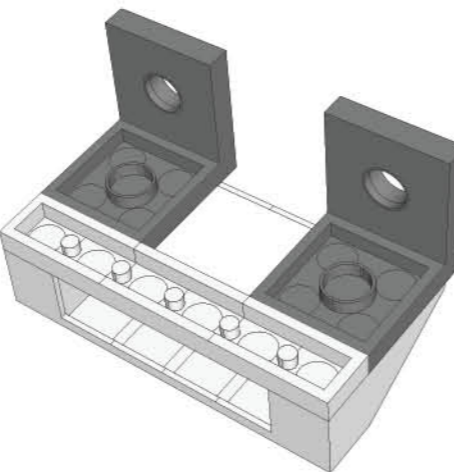
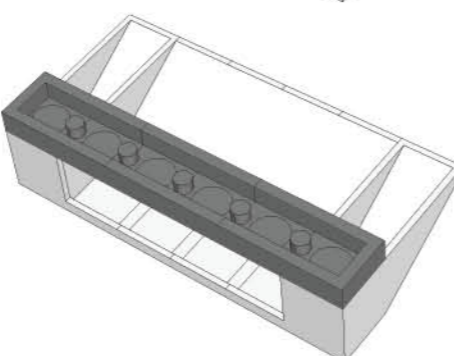
STEP 6



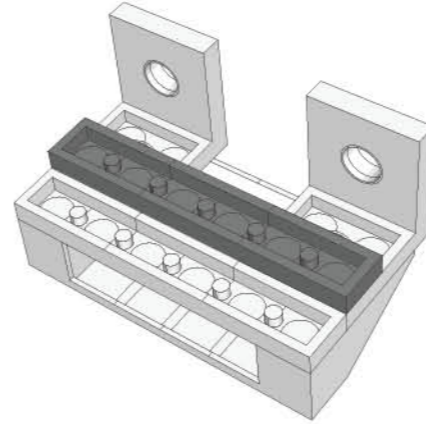
STEP 7



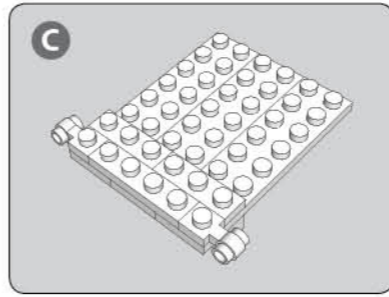
STEP 8



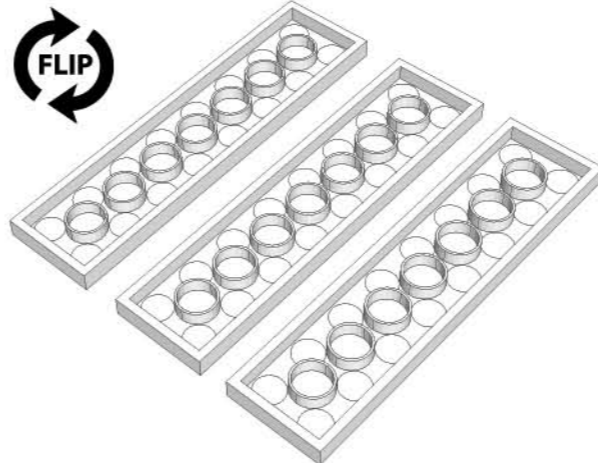
STEP 9



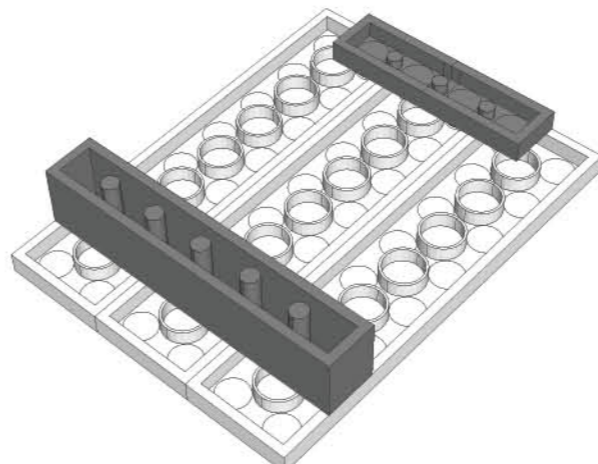
STEP 10



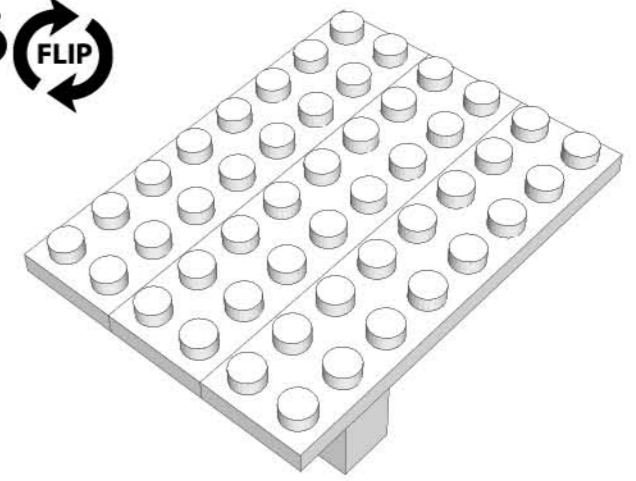
STEP 11



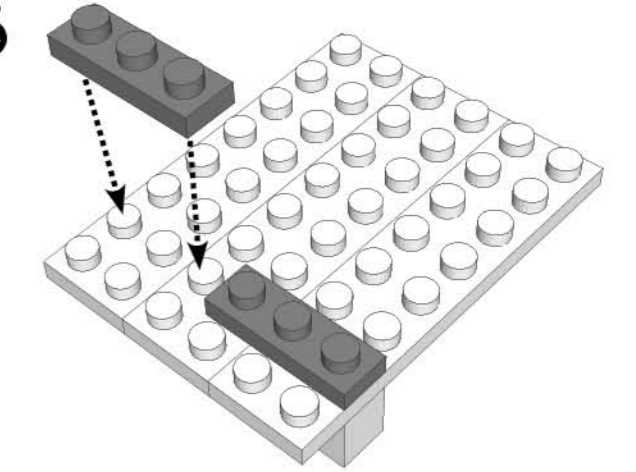
STEP 12



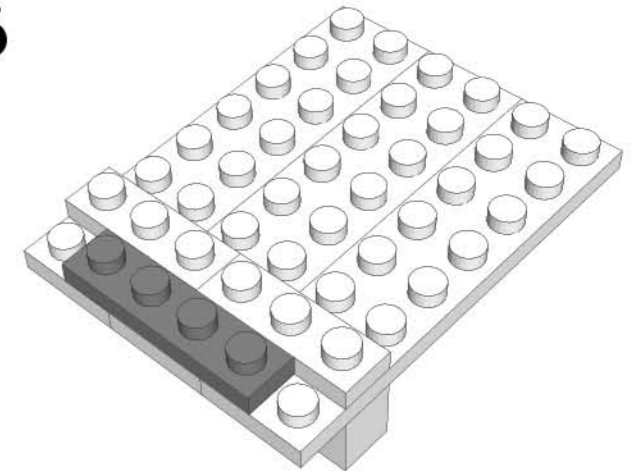
STEP 13



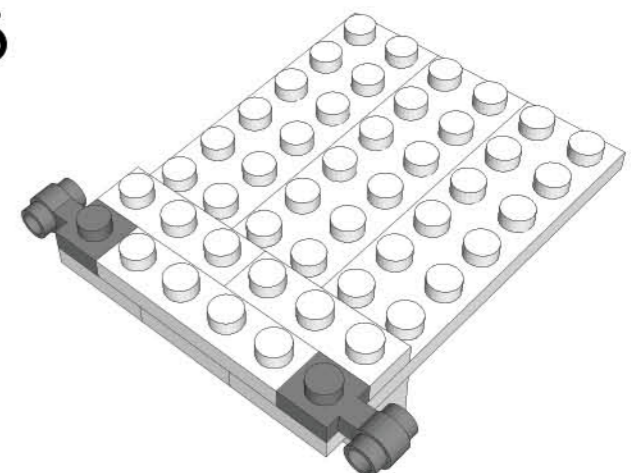
STEP 14



STEP 15

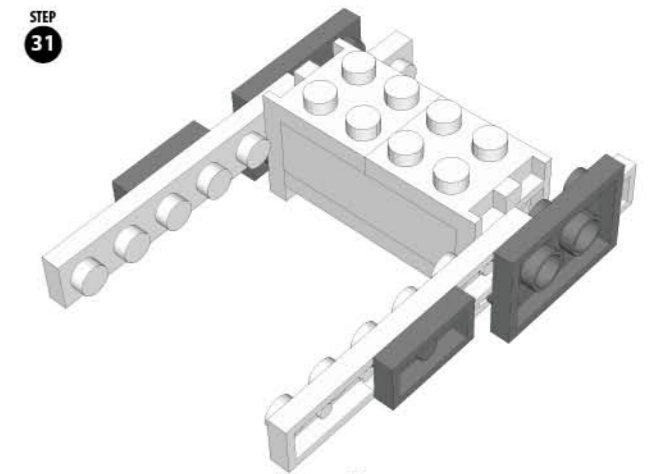
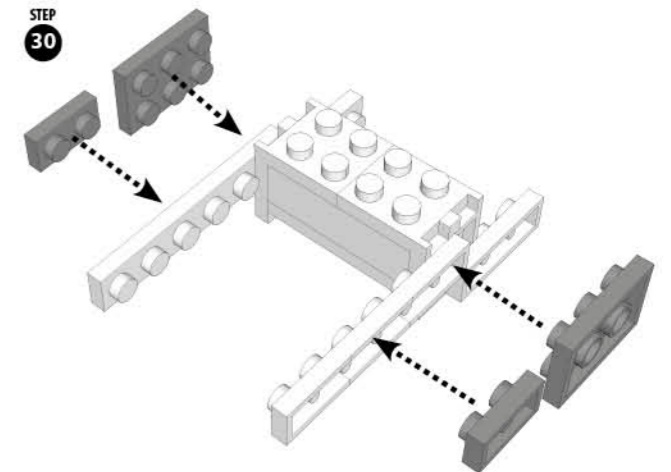
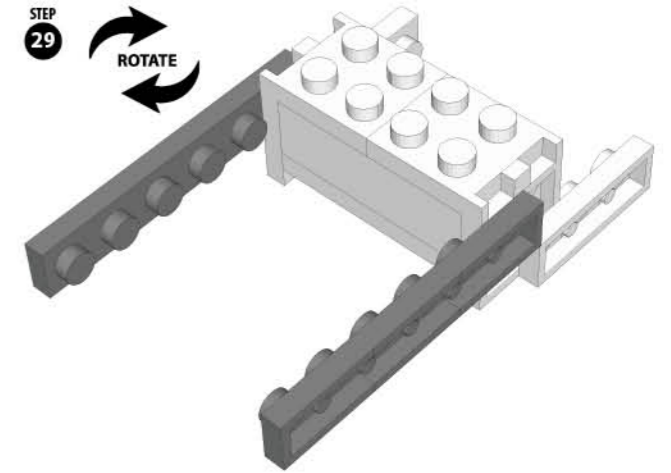
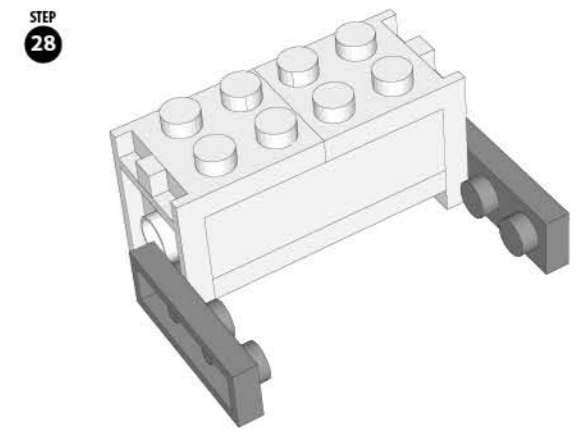
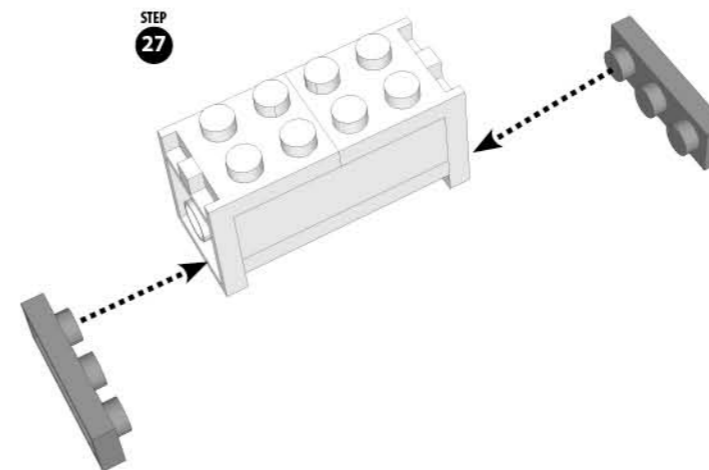
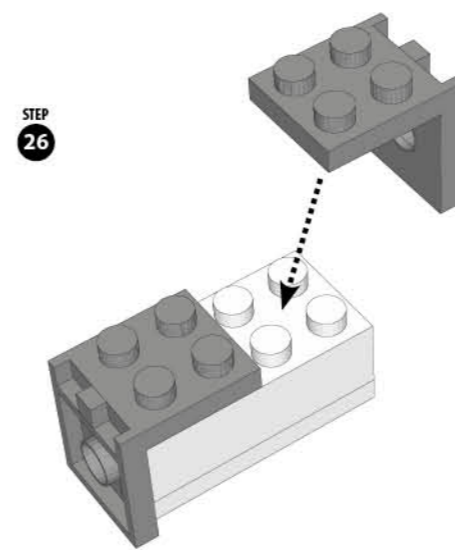
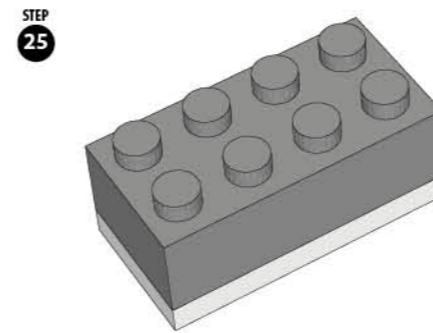
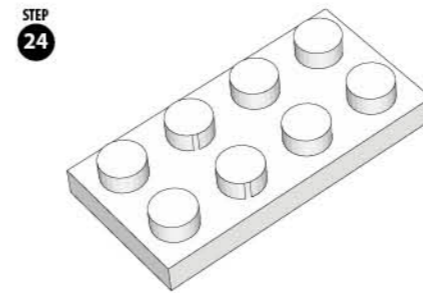
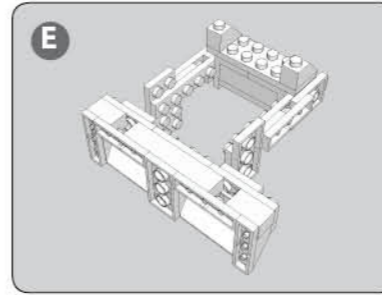
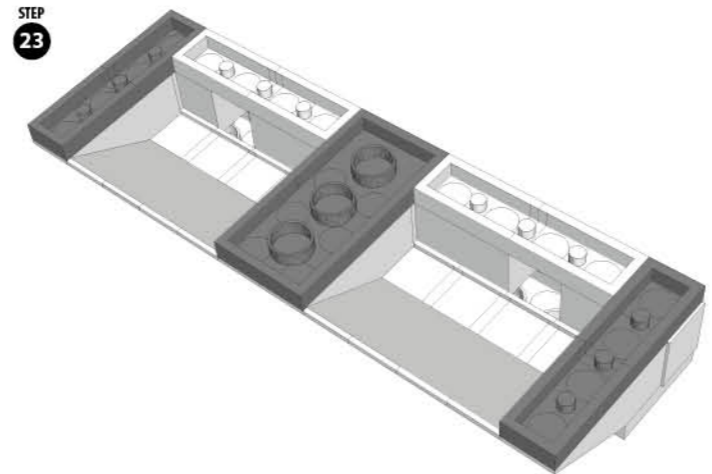
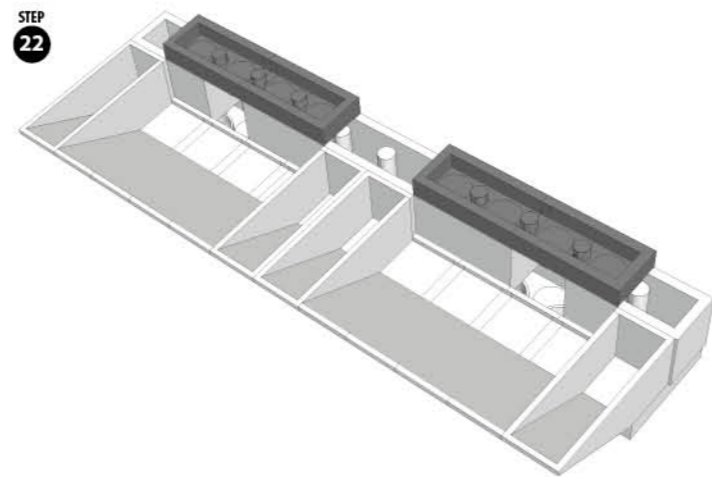
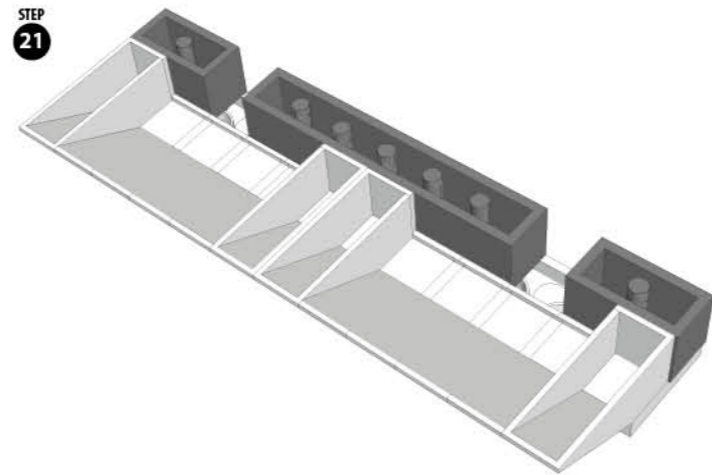
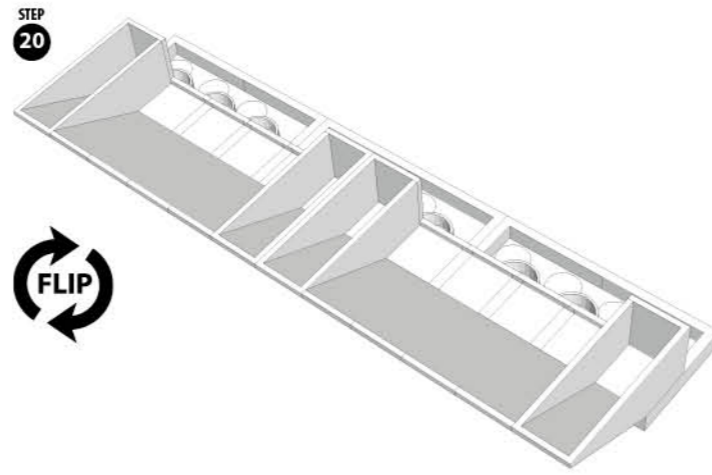
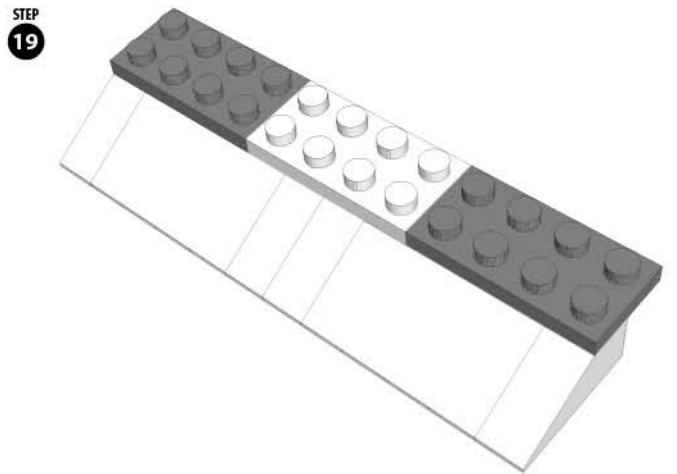
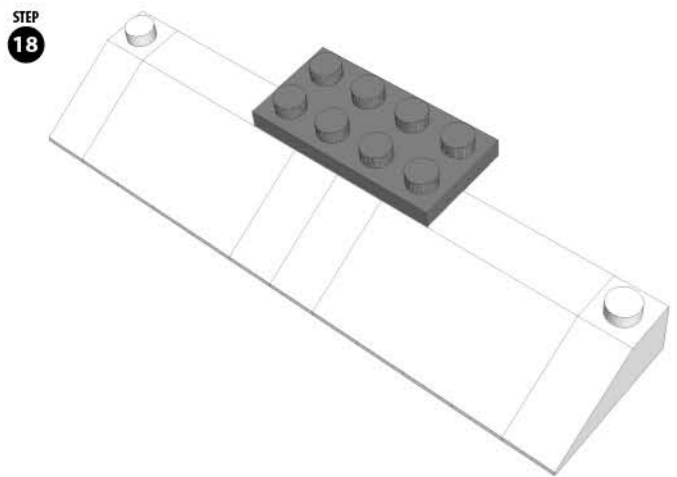
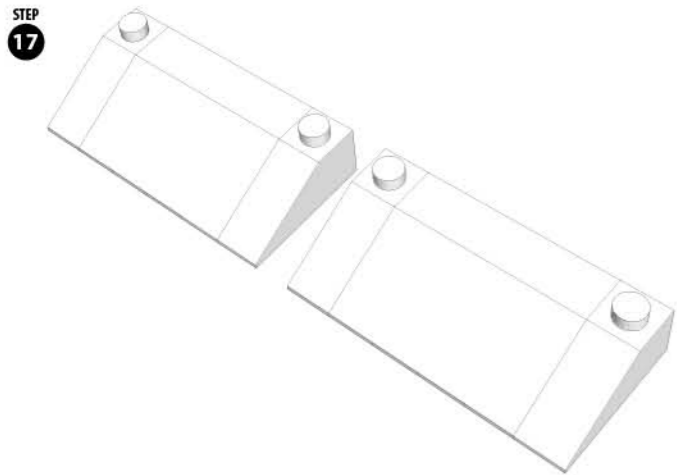
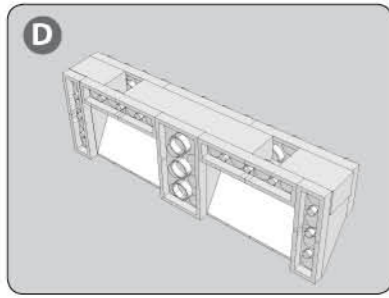


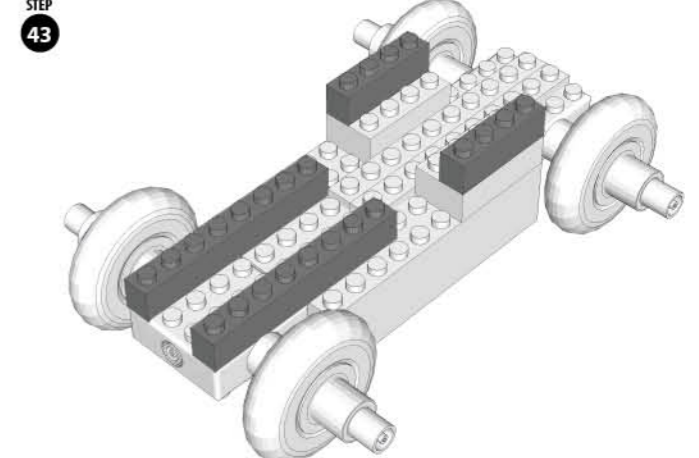
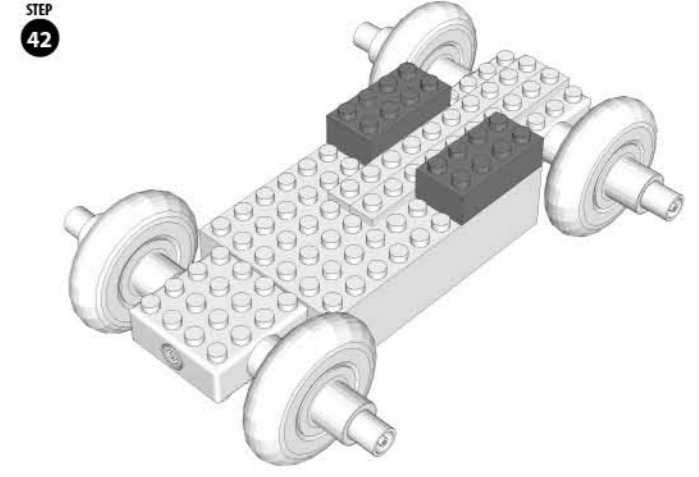
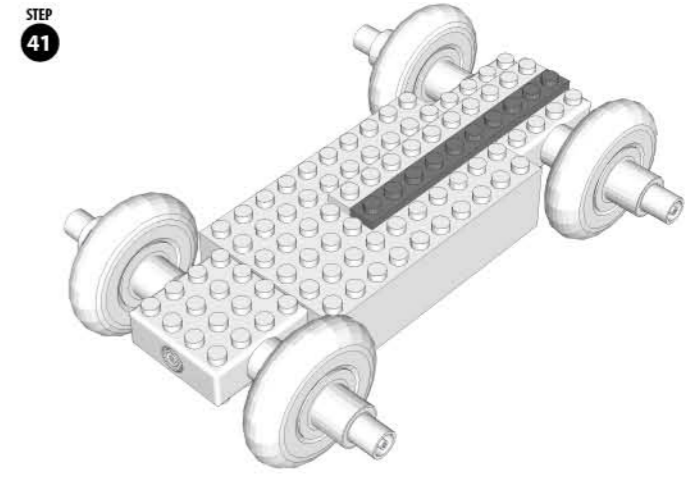
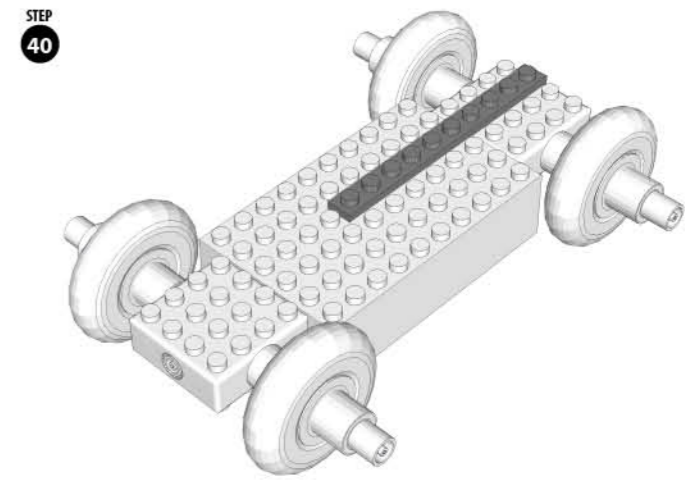
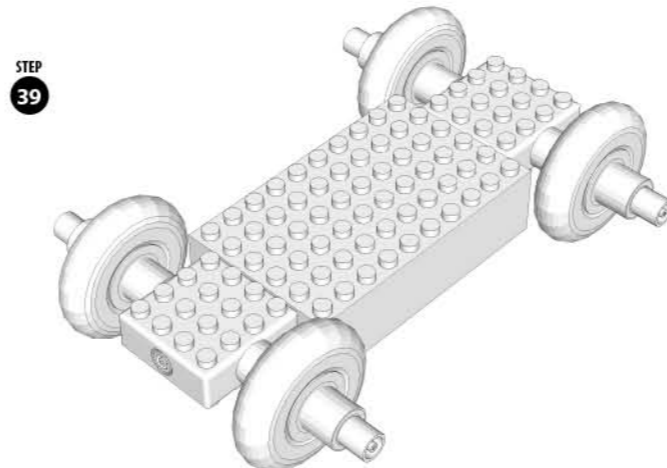
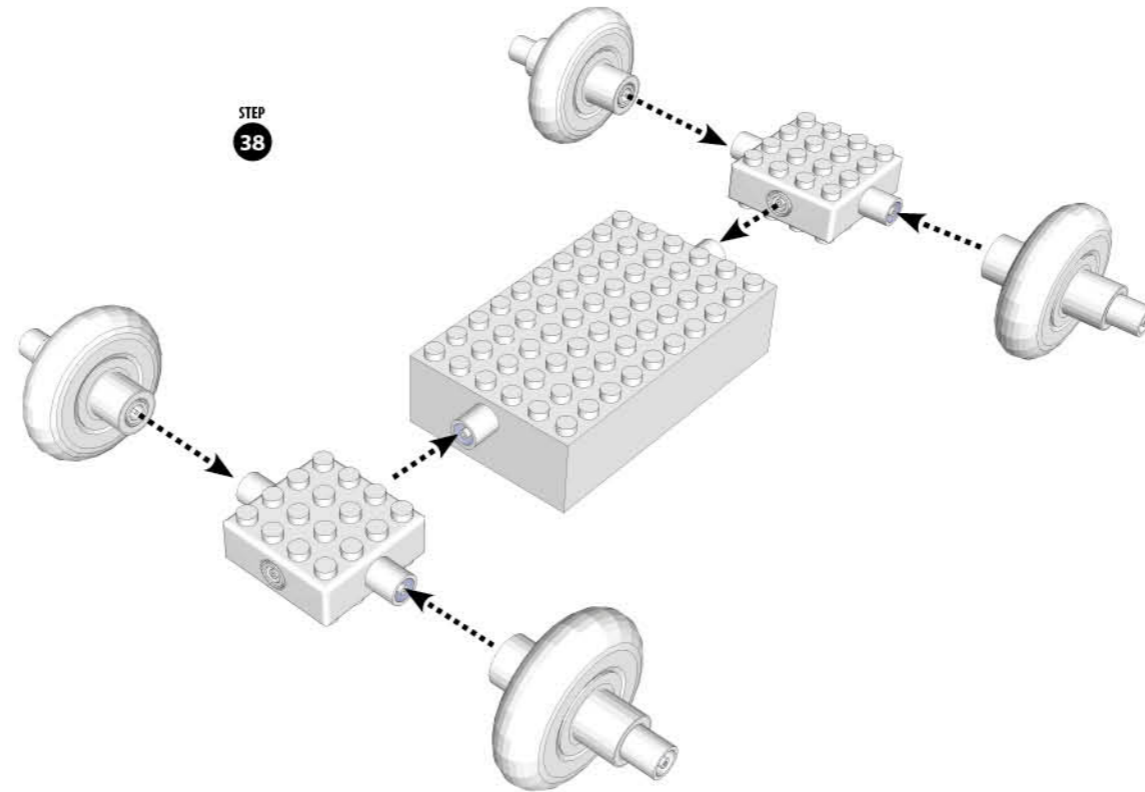
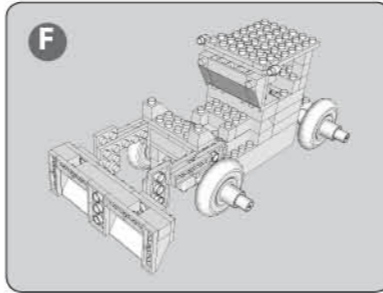
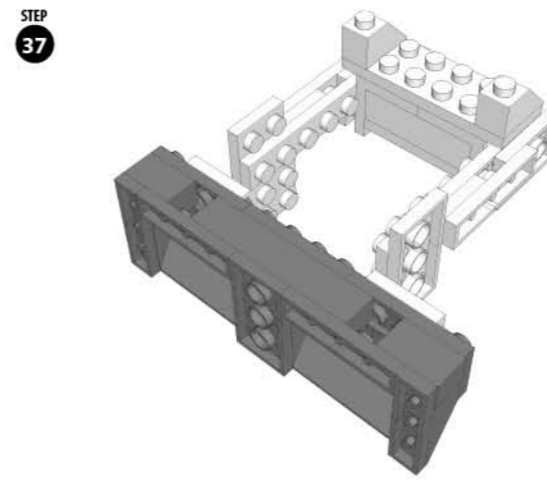
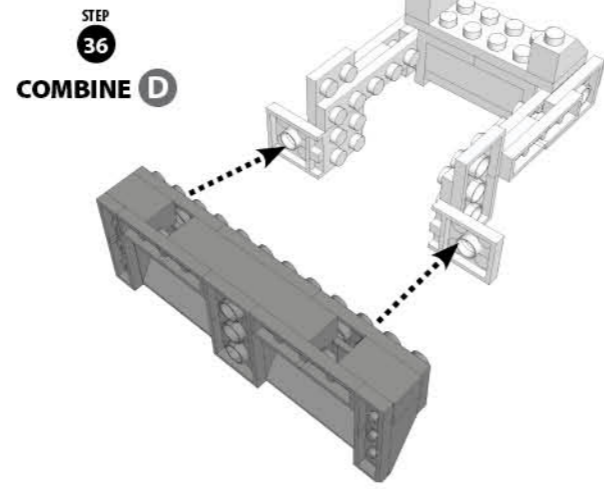
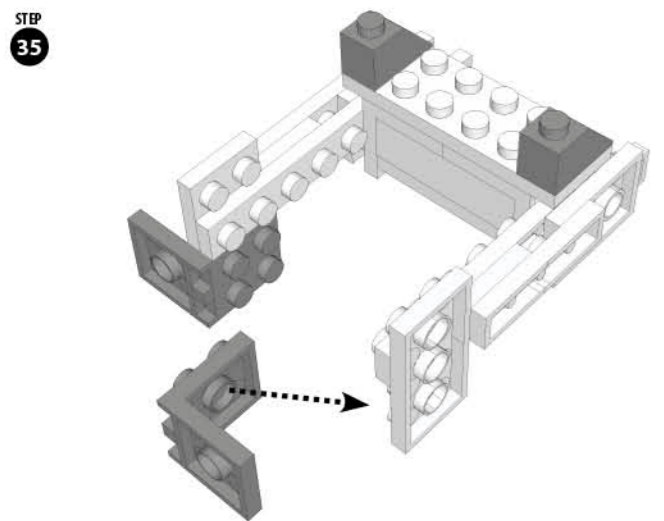
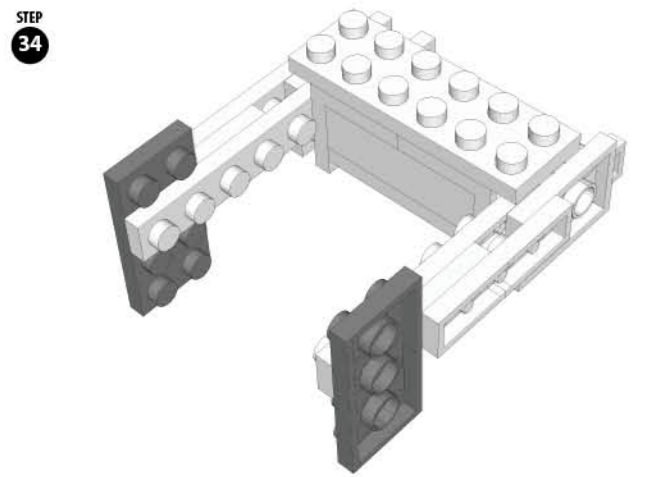
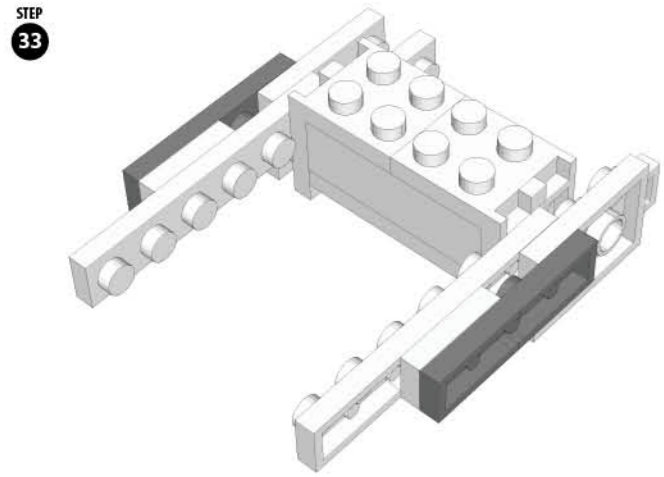
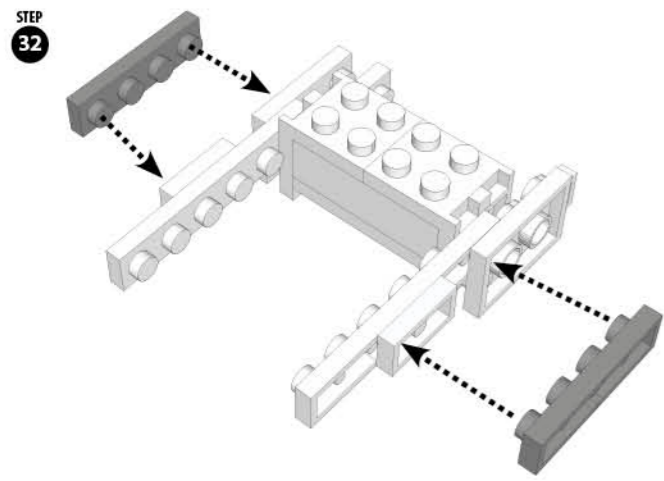
STEP 16

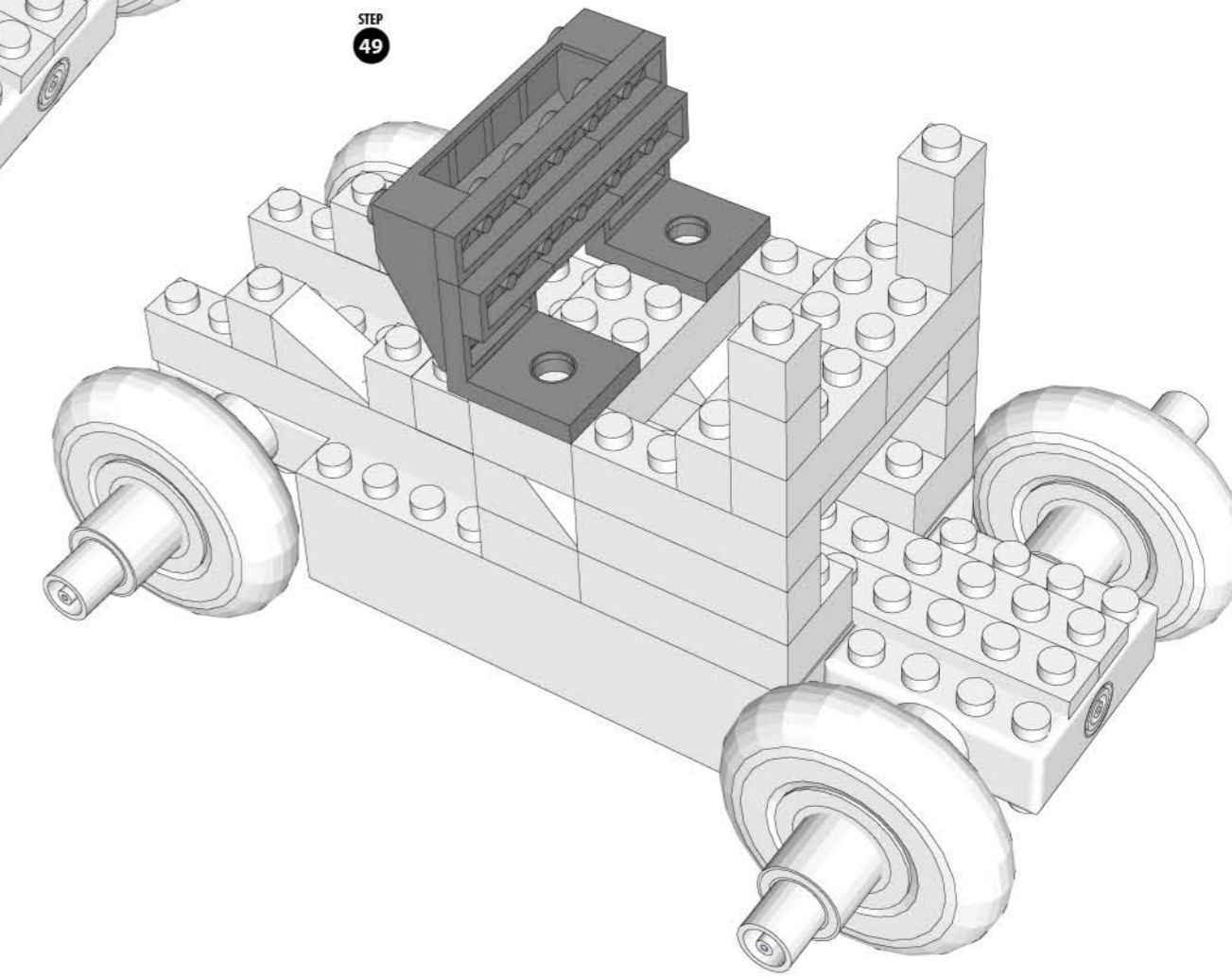
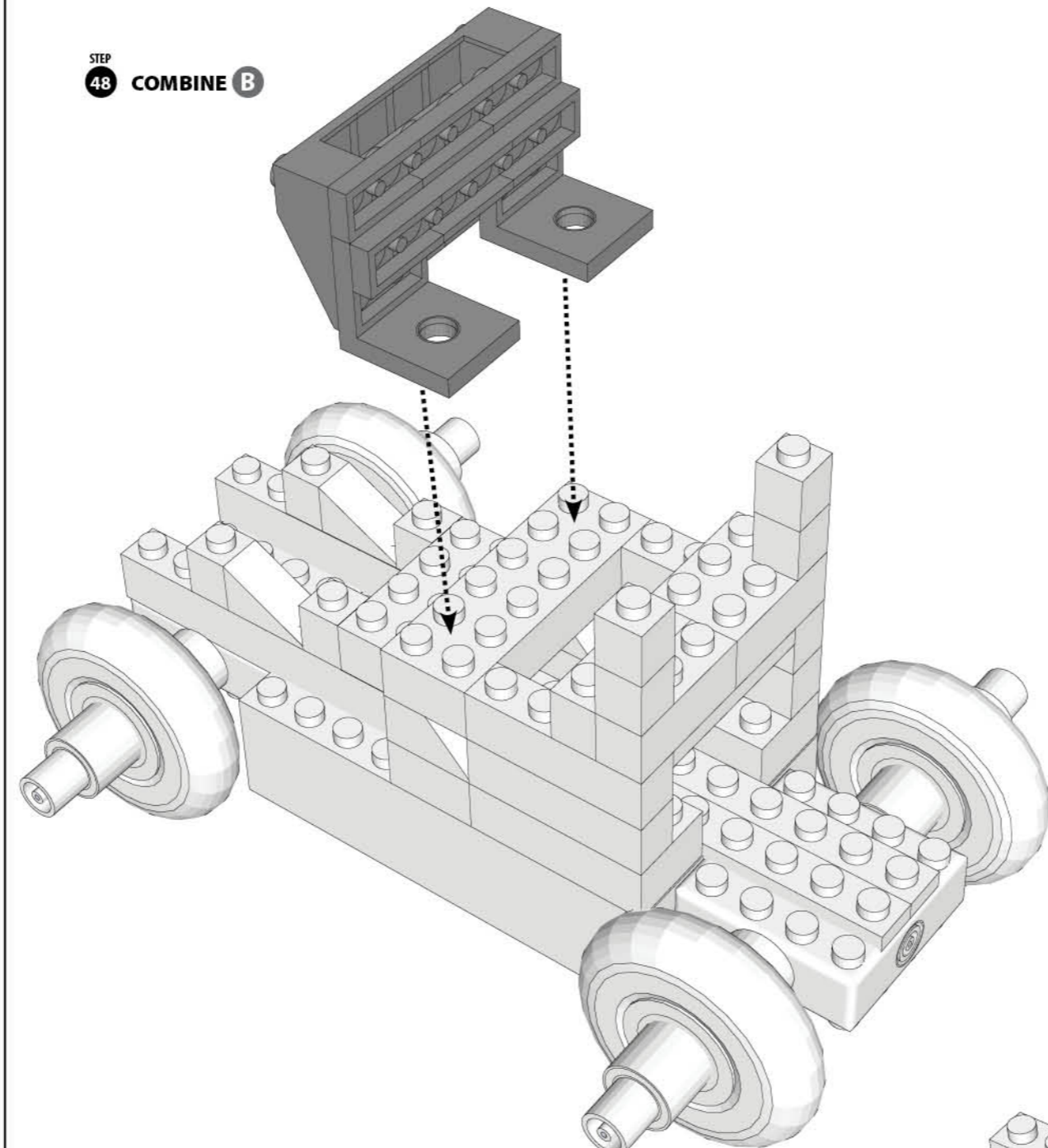
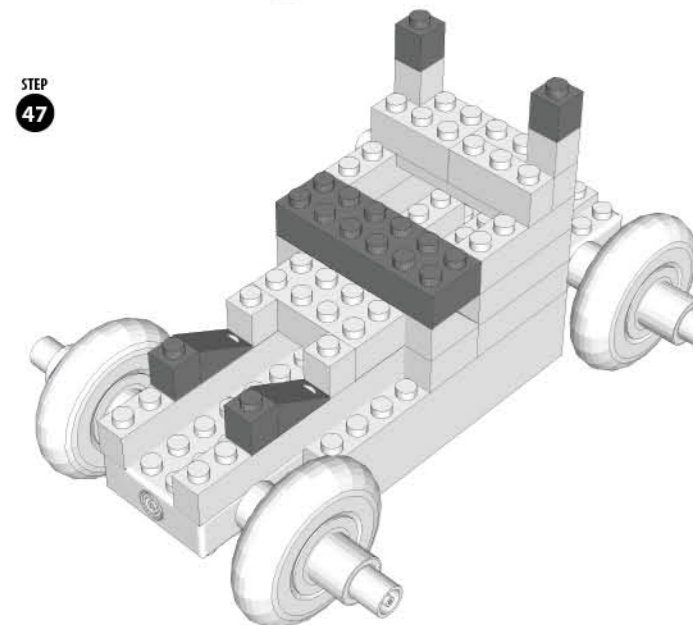
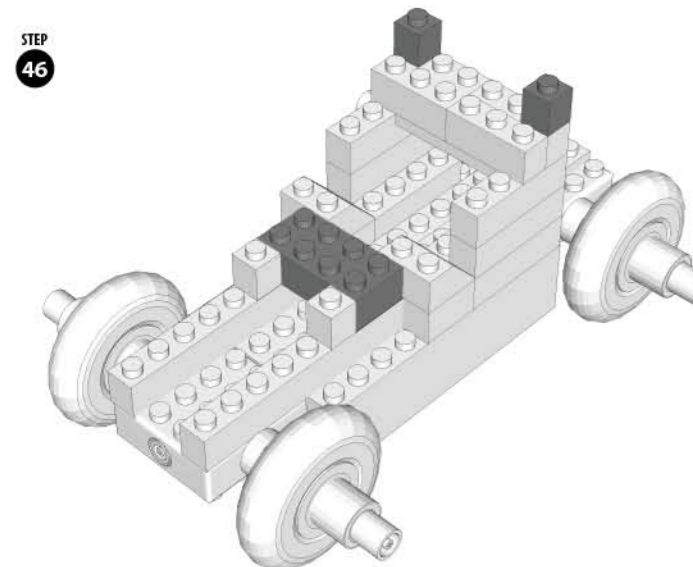
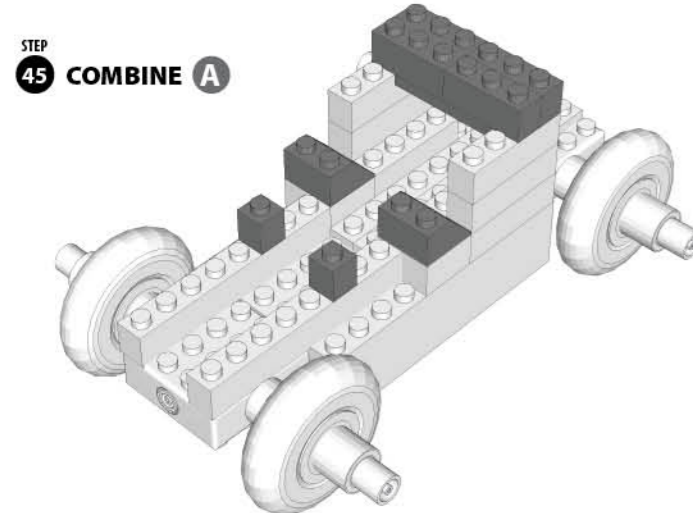
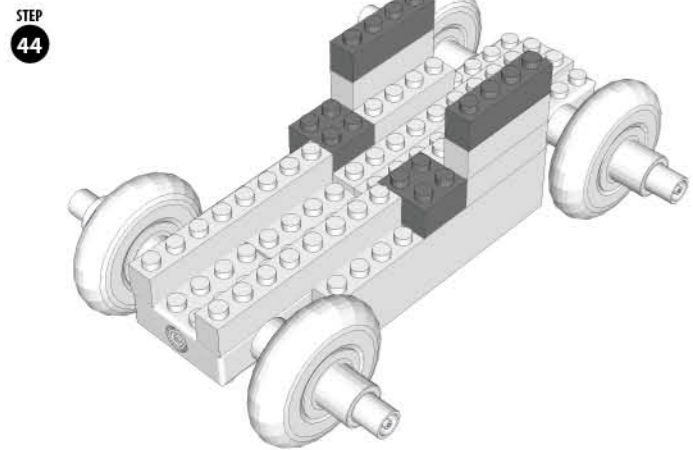


Environmental Phenomena

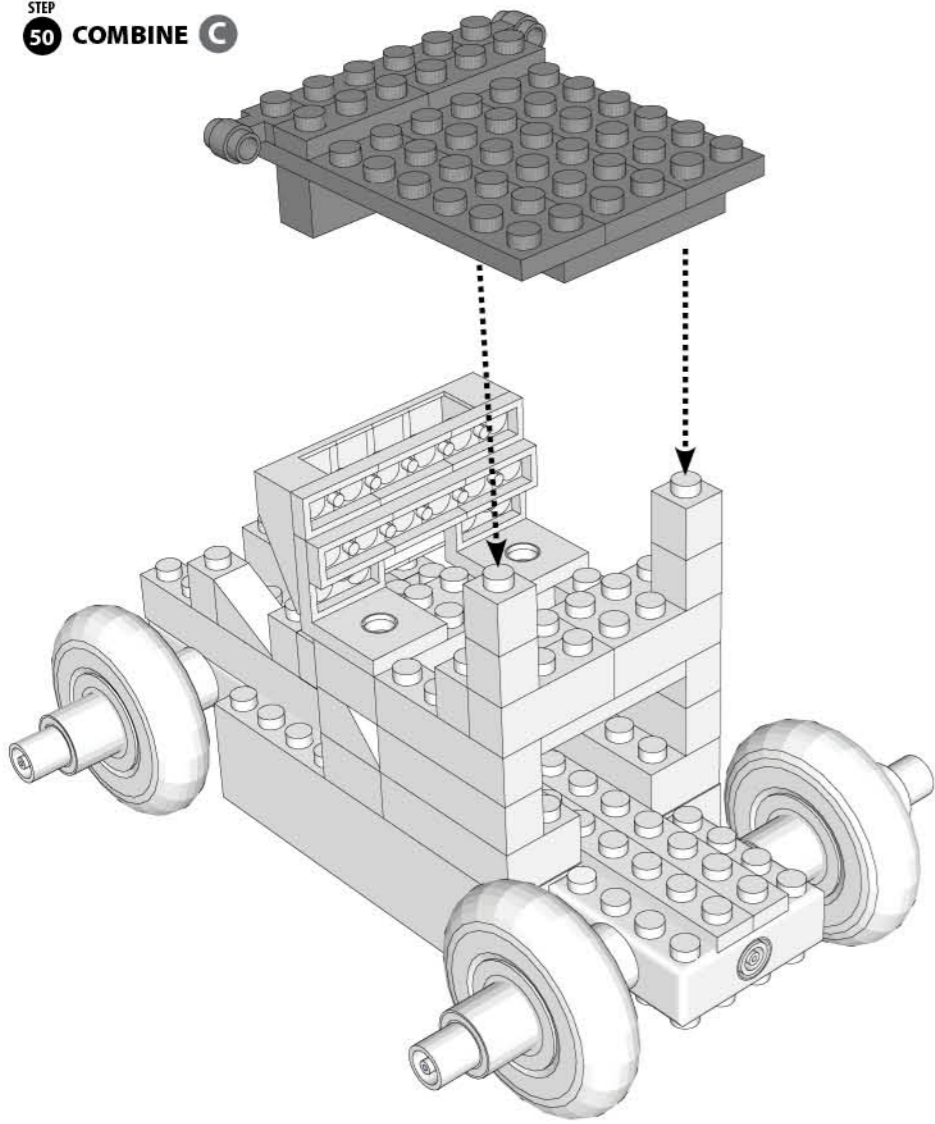
* The unit may malfunction if subjected to radio-frequency interference. It SHOULD revert to normal operation when the interference stops. If not, it may become necessary to turn the power off and back on, or remove and reinstall the batteries. * In the unlikely event of an electrostatic discharge, the unit may malfunction and lose memory, requiring the user to reset the device by removing and reinstalling the batteries.



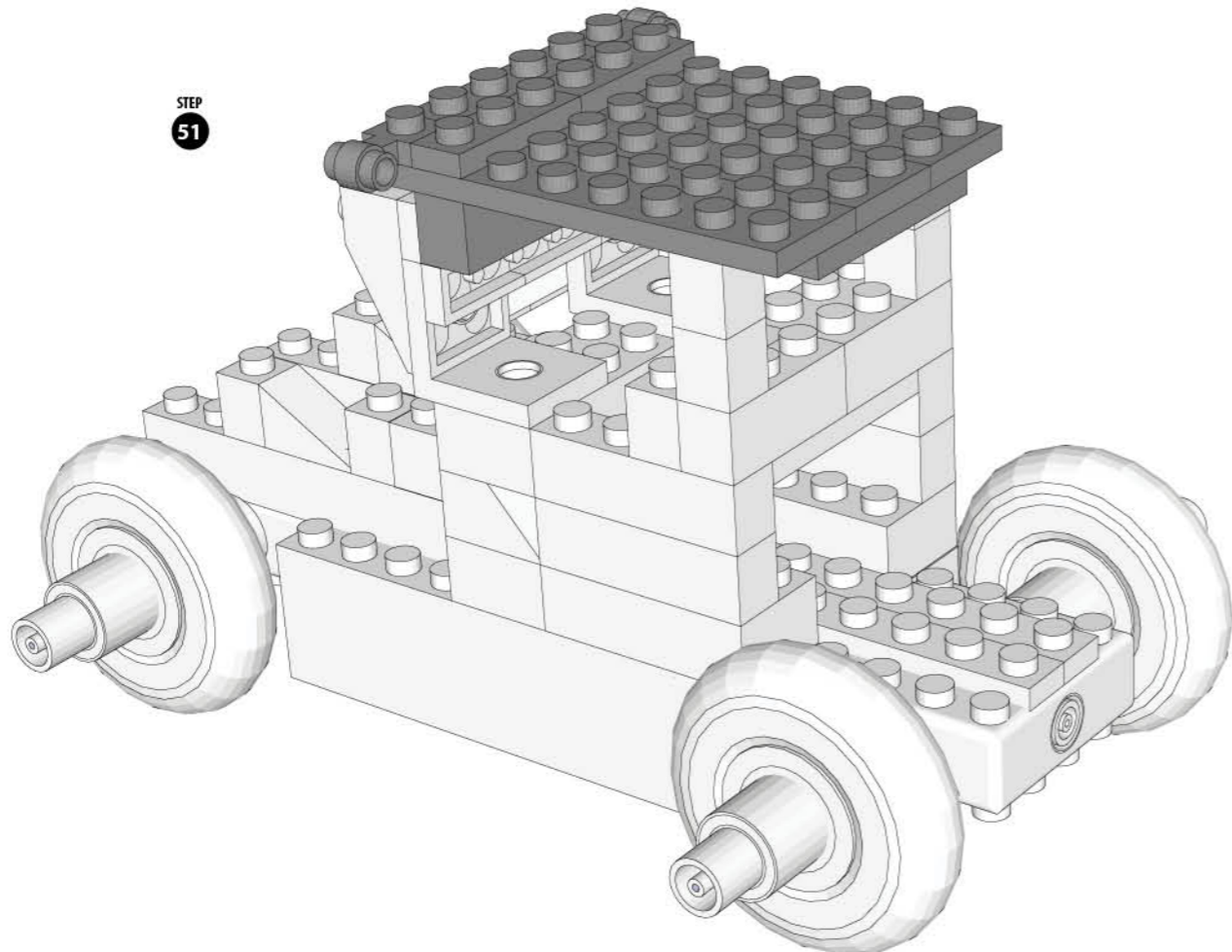




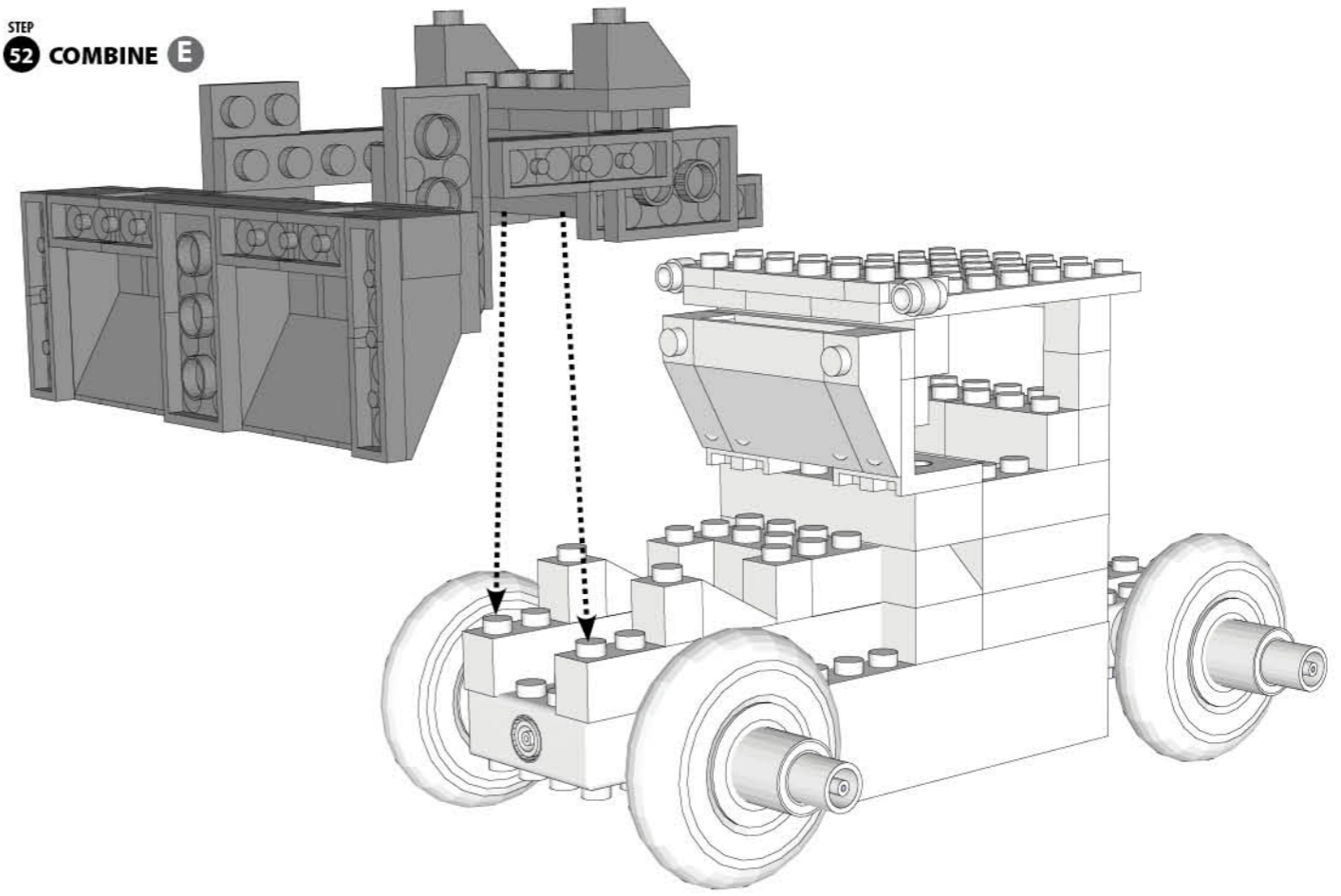
STEP 50 COMBINE C



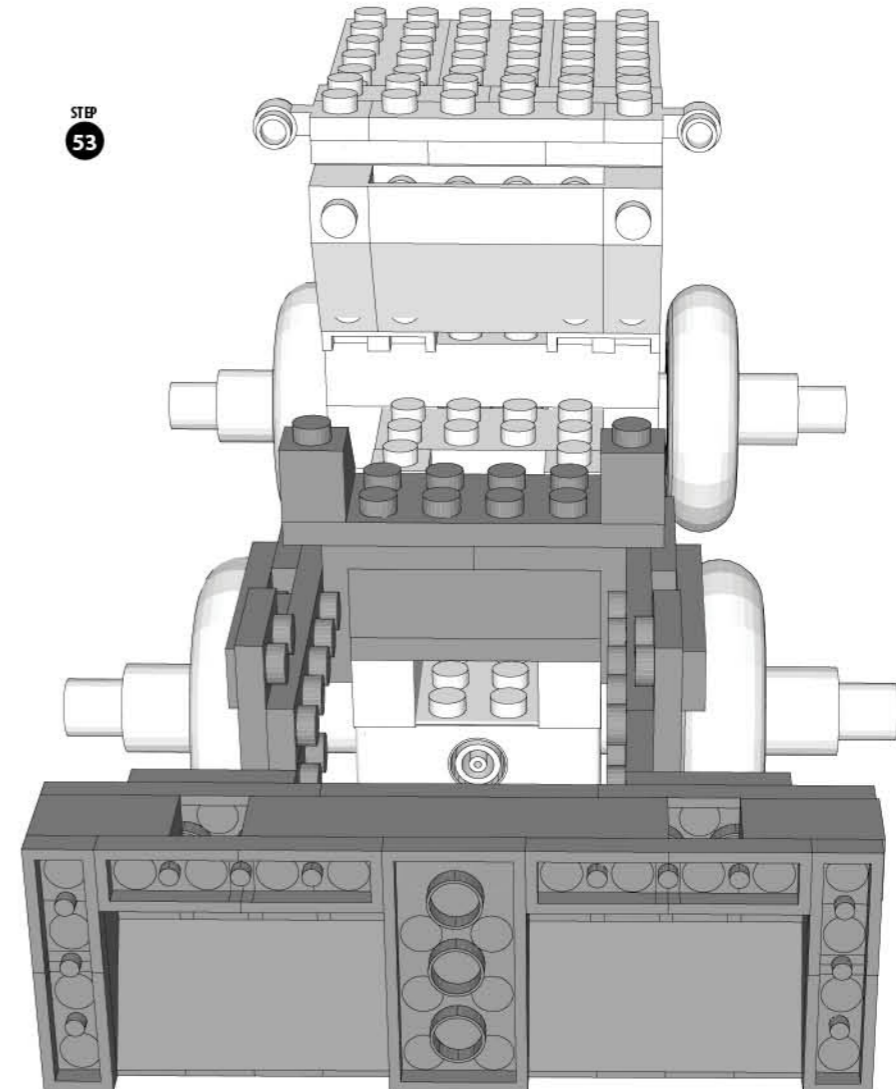
STEP 51



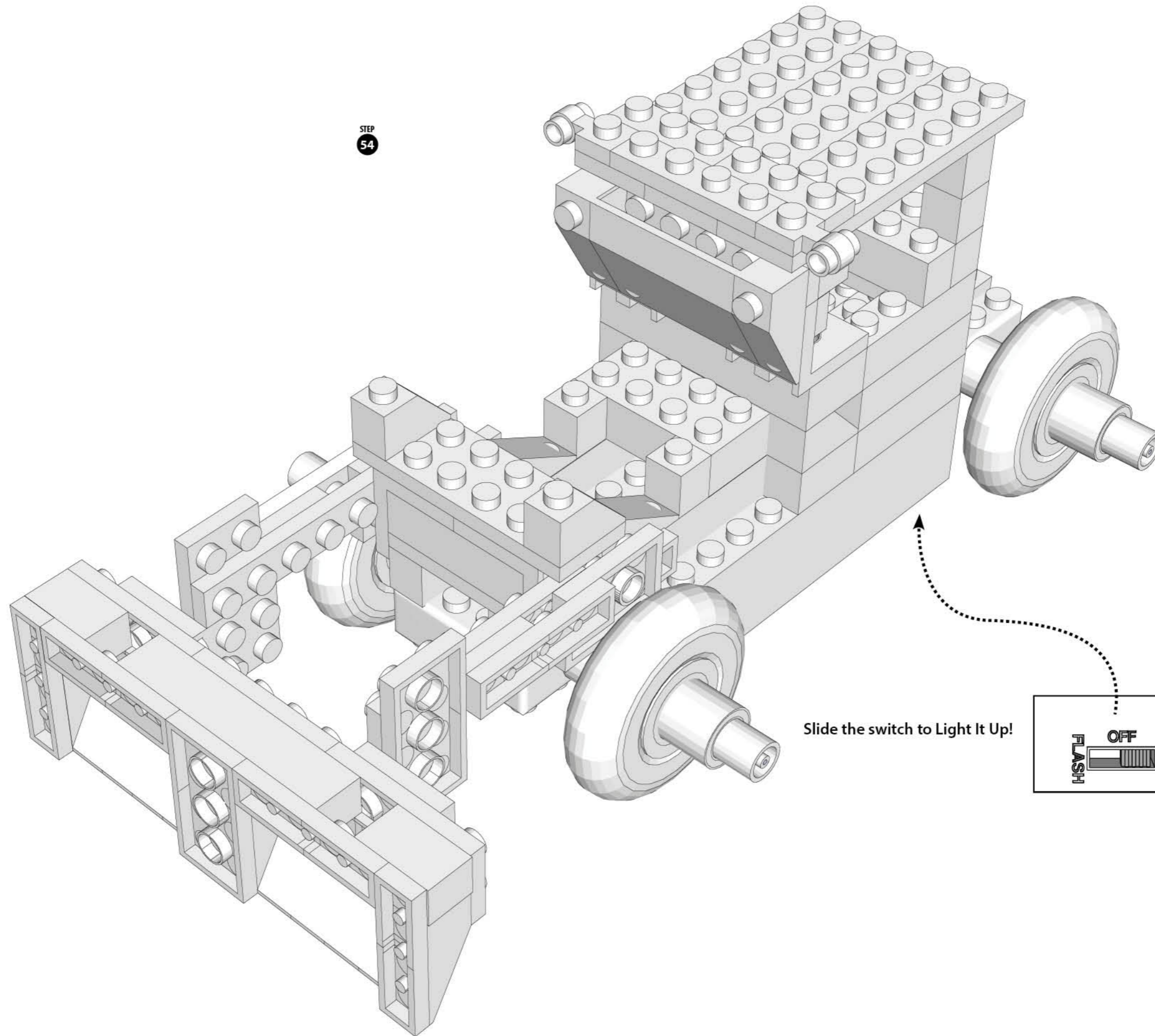
STEP 52 COMBINE E



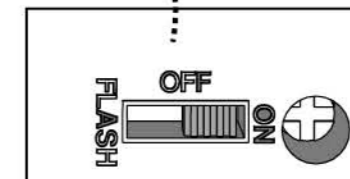
STEP 53



STEP
54



Slide the switch to Light It Up!



OFF - Turns lights OFF
ON - Turns lights ON
FLASH - Makes lights FLASH

LASER PEGS®

The Ultimate Construction Toy For Kids®

PBI420B

POWER BLOCK
Construction Series

Ages 5+

8 Models+
Any creation you can build

LIGHTED
MOBILE POWER BLOCK™ SET INCLUDES:

- 100 Tinted Bricks
- 4 Tire Pegs
- 2 Square M-M Pegs
- 1 Mobile Power Block™

Requires 3 AAA Batteries

Batteries NOT Included

WARNING: CHOKING HAZARD—Small parts. Not for children under 3 yrs. Do not submerge in water.

DO NOT SUBMERGE IN WATER

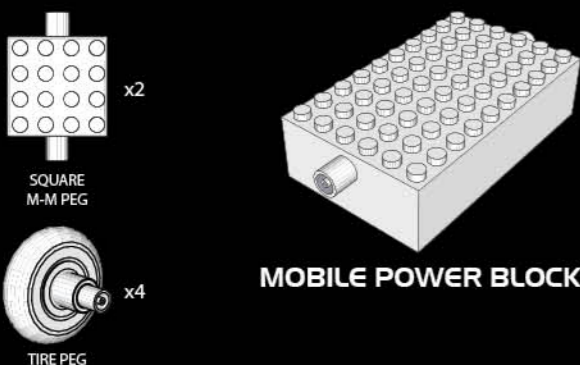
EN71, RoHS COMPLIANT

This product complies to all safety requirements of ASTM F 963

MODEL INSTRUCTIONS

All additional model instructions can be downloaded at www.LaserPegs.com

Laser Pegs® Parts List



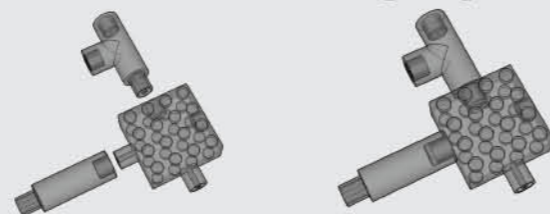
Color Code Each Laser Peg® is color coded on the circuit board inside each shape.



www.LaserPegs.com

This manual is copyright and cannot be reproduced or used online without Laser Pegs® Ventures LLC permission. Copyright 2014 © All Rights Reserved US Patent #7,731,558 Additional Global & Multiple Patents Pending. Laser Pegs® Ventures LLC, 8304 Consumer Ct., Sarasota FL 34240. Contact: Support@LaserPegs.com

Connecting Pegs



To construct with Laser Pegs®, slide two pieces together to form a connection. Slide each piece on and off smoothly.

POWER BLOCK

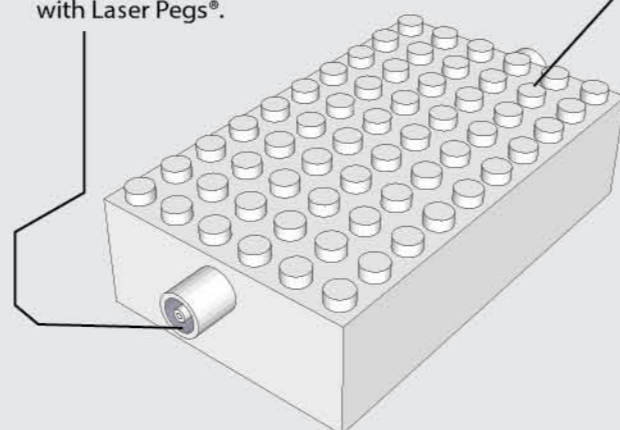
The Power Block is a Power Base that allows you to build with Laser Pegs® and construction parts to build models that light up. It is battery operated. (BATTERIES NOT INCLUDED.)

Laser Pegs® Connections

Allows you to construct with Laser Pegs®.

Construction Part Connections

Allows you to connect to other construction kits.

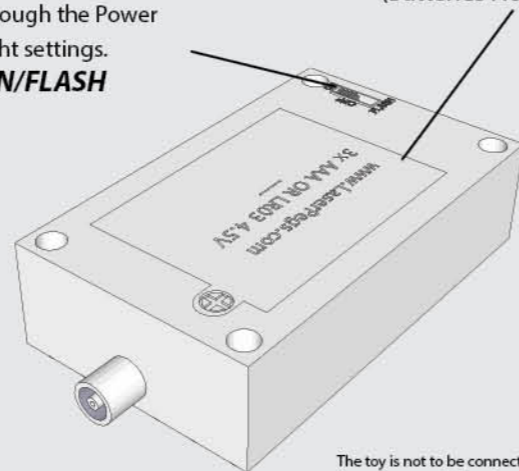


Power Switch

Move the Power Switch to cycle through the Power Block light settings. **OFF/ON/FLASH**

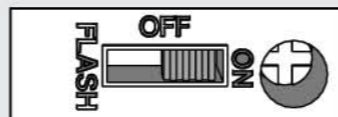
Battery Compartment

Requires 3-AAA Batteries (Batteries Not Included)



LIGHT SETTINGS

OFF - Turns lights OFF
ON - Turns lights ON
FLASH - Makes lights FLASH



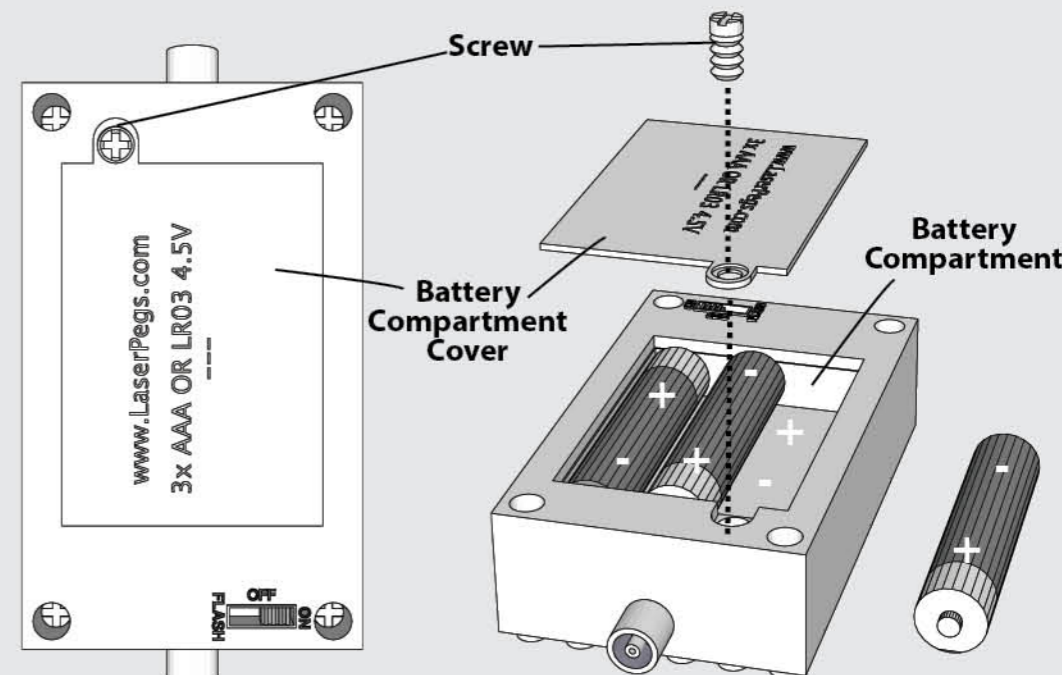
WARNING: STROBE LIGHTS MAY CAUSE SEIZURES

WARNING! Each Laser Peg® draws current from the batteries. Therefore, the more pegs you use, the quicker you will deplete your battery power! As the power weakens, the current will slowly fail and some Laser Pegs® will illuminate (typically the reds and yellows) and some won't. When the Laser Pegs® dim, the Laser Pegs® are not broken, they just need stronger batteries. You have 2 simple options...
1. Change the batteries.
2. Use high quality batteries. They will last a little longer, but they will still deplete rapidly the more Laser Pegs® you connect!

Replacing Batteries

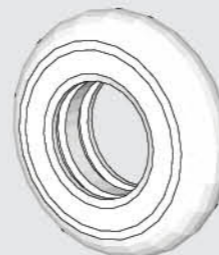
1. Remove Screw.
2. Lift off Battery Compartment Cover.
3. Place three (3) AAA batteries in the correct position - as displayed inside of the Power Block.
4. Replace Battery Compartment Cover and Screw.
5. Slide Power Switch setting to OFF/ON/FLASH.
6. Do not mix old and new batteries.
7. Do not mix alkaline, standard (carbon-zinc), or rechargeable (nickel-cadmium, NiMH) batteries!
8. Exhausted batteries are to be removed from the power base.
9. Never connect more than 150 Laser Pegs® at one time!
10. Non-rechargeable batteries are not to be recharged.
11. Rechargeable batteries are only to be recharged under adult supervision.
12. Rechargeable batteries are to be removed from the toy before being recharged.
13. Batteries are to be inserted with the correct polarity.
14. The supply terminals are not to be short-circuited.
15. DO NOT THROW BATTERIES INTO FIRE!

Remove the Phillips head screw with a 4mm screw driver. **Requires 3-AAA Batteries** Batteries NOT Included

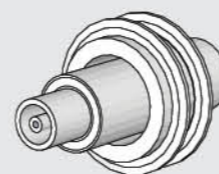


Requires 3-AAA Batteries

Connecting the Laser Pegs® Tire to the Axle Peg

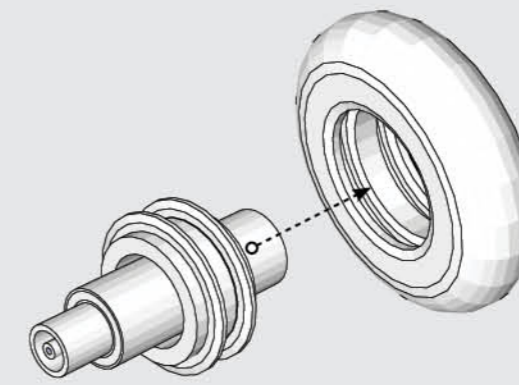


Tire

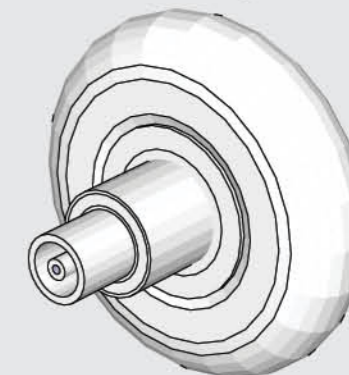


Axle Peg

Place Axle Peg through the Tire



Tire Peg

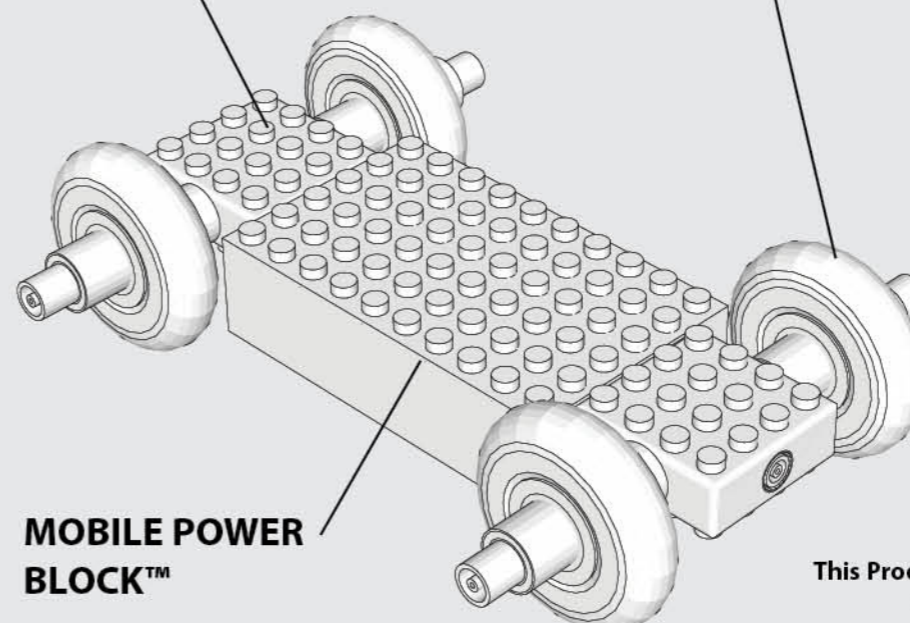


POWER BLOCK™

Use the Laser Pegs® Square M-M Peg to attach the Tire Pegs to the Power Block™.

Laser Pegs® Square M-M Peg

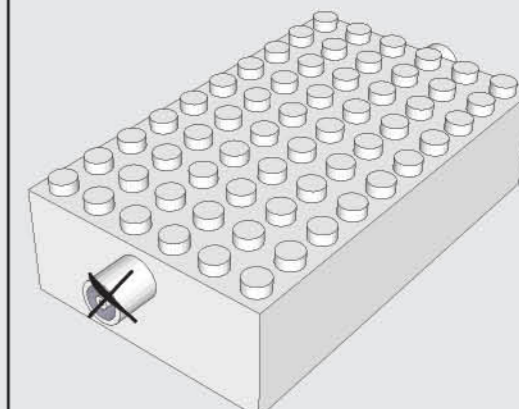
Tire Peg



MOBILE POWER BLOCK™

AVOID DAMAGE TO PEG HOLES

*To avoid short-circuits, keep metal objects and other unauthorized materials from obstructing the peg holes.



Never connect more than 150 Laser Pegs® to the Power Block at one time.

This Product contains a button battery. If swallowed, it could cause severe injury or death in just 2 hours. Seek medical attention immediately.

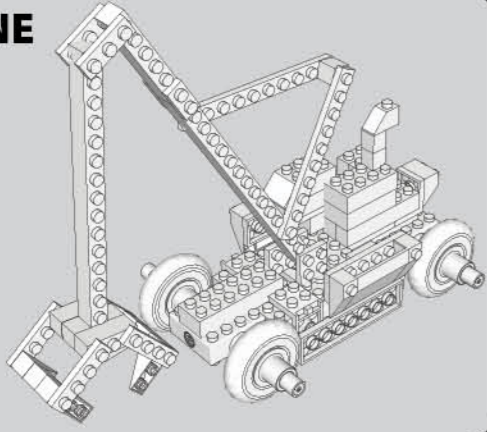
CLAW CRANE: A claw crane may also be referred to as a teddy picker, candy crane, claw machine, grab machine, or simply the claw.



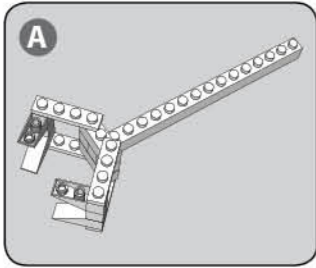
CLAW CRANE

Model
Difficulty
Level

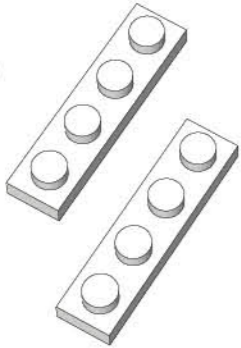
4



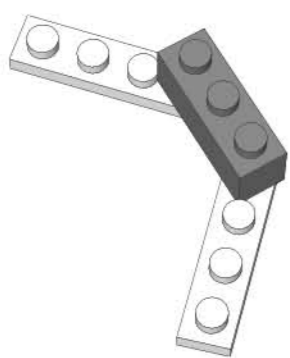
The TRY-ME mechanism is for display purposes ONLY and should be discarded as per state and local regulations. It is NOT intended to be used for the building of this model.



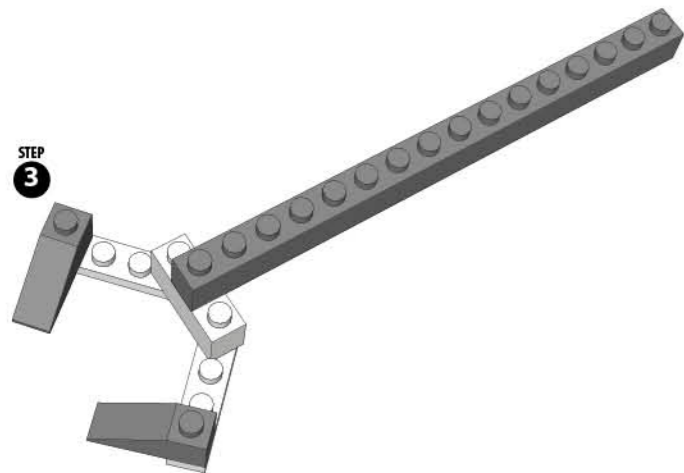
STEP 1



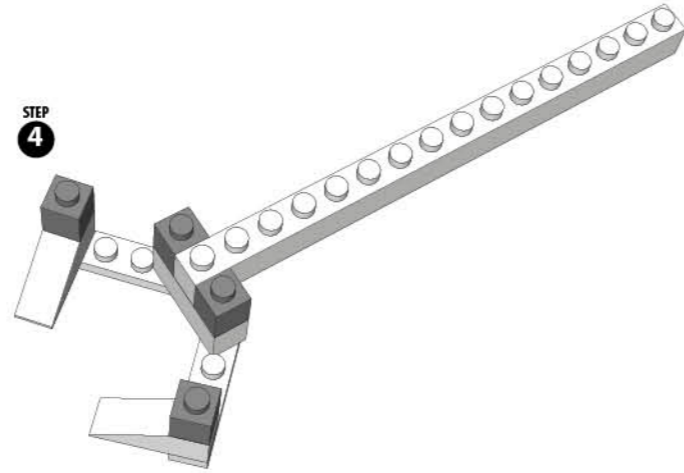
STEP 2



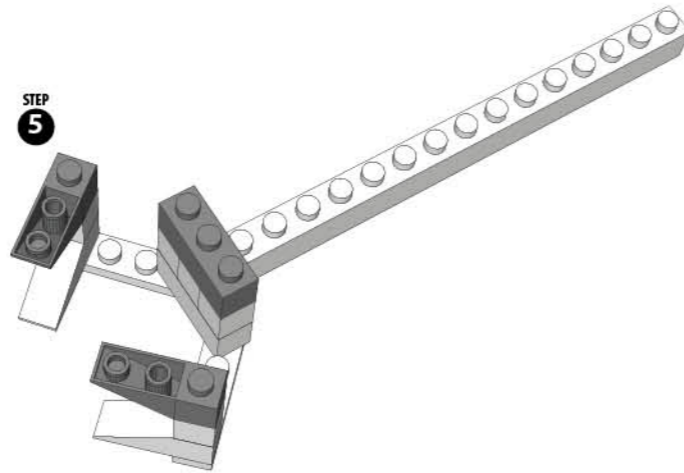
STEP 3



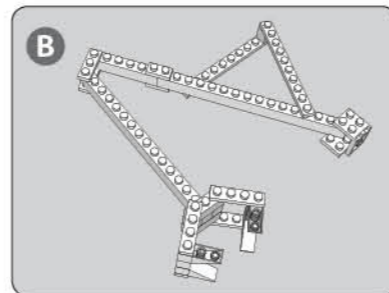
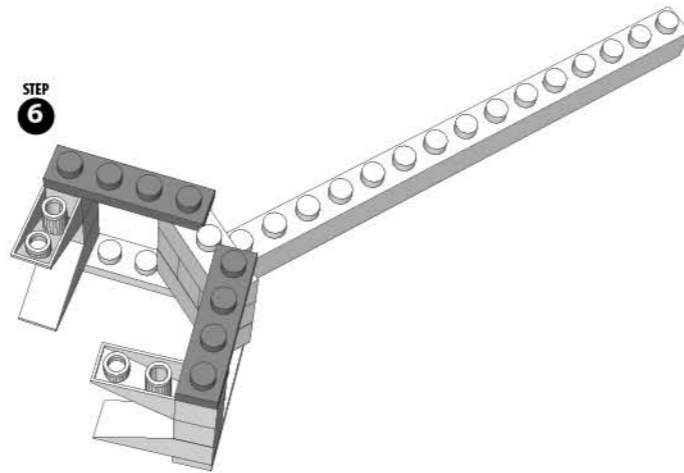
STEP 4



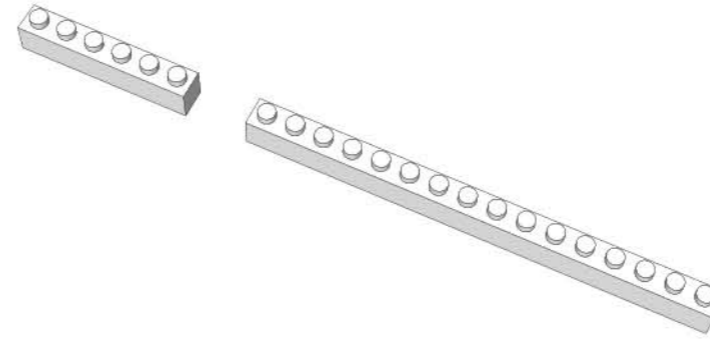
STEP 5



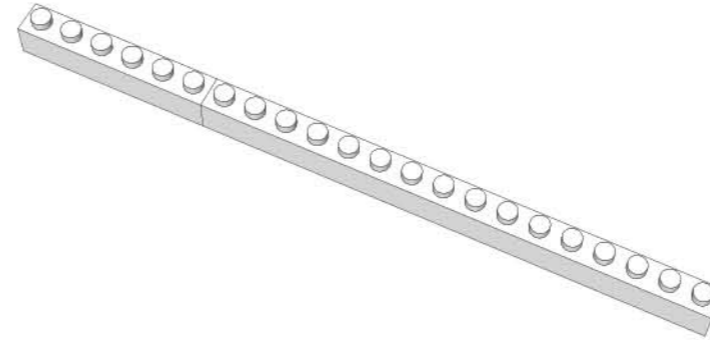
STEP 6



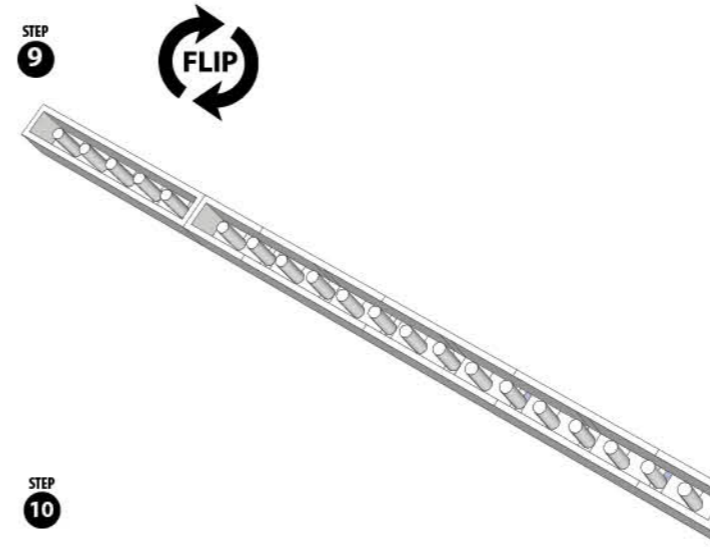
STEP 7



STEP 8



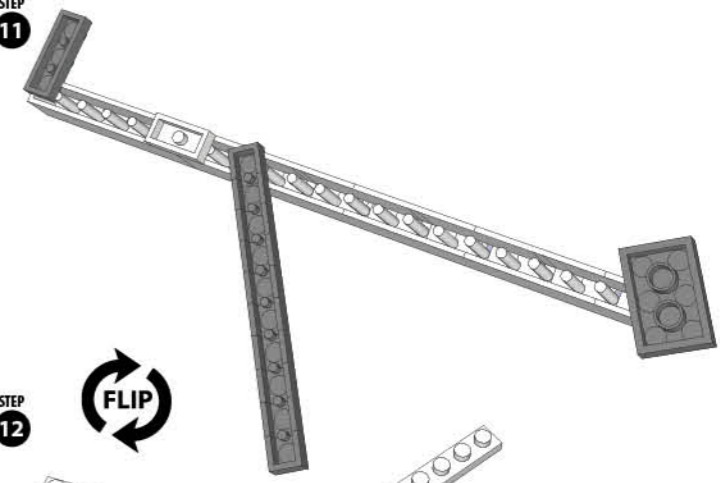
STEP 9



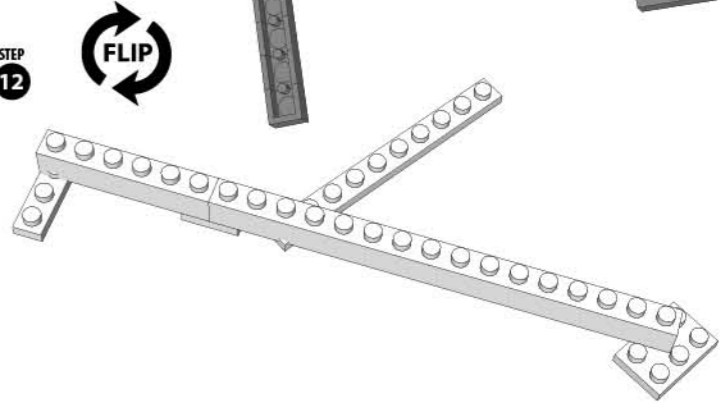
STEP 10



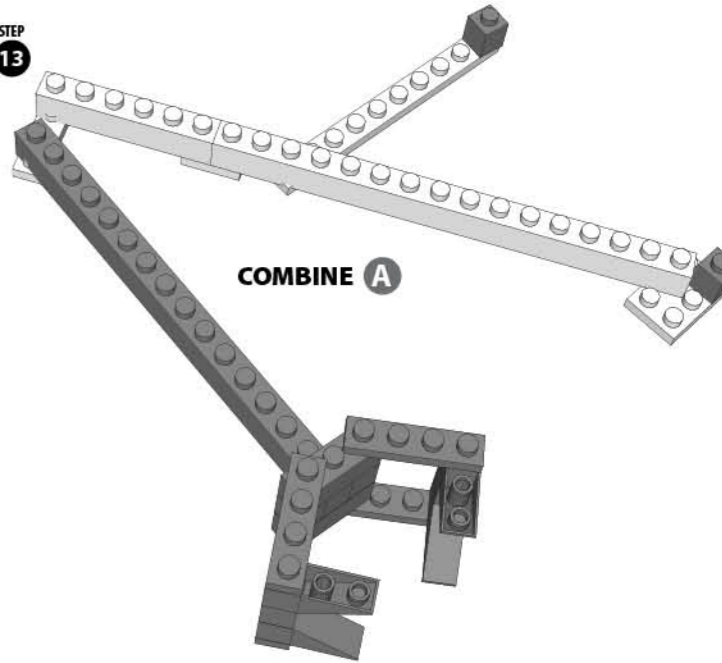
STEP 11



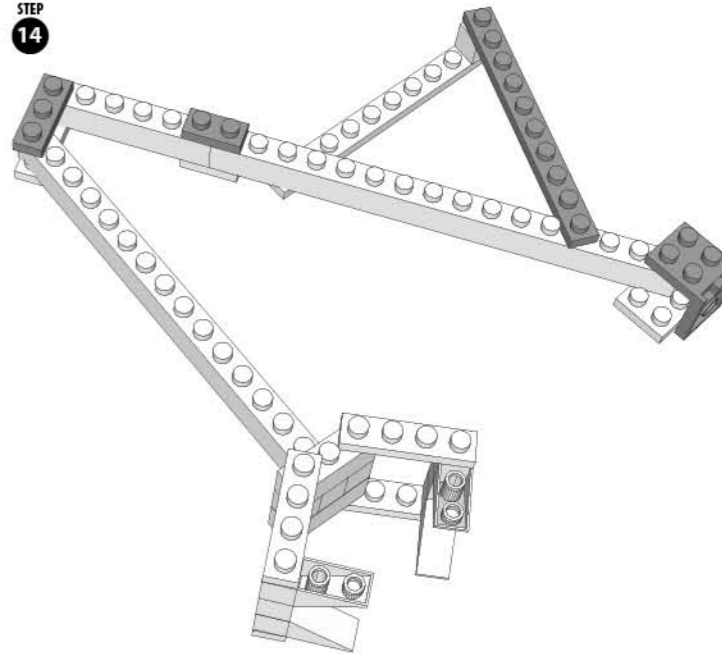
STEP 12

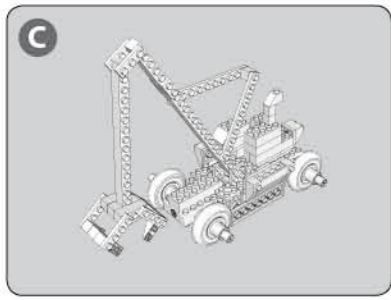


STEP 13

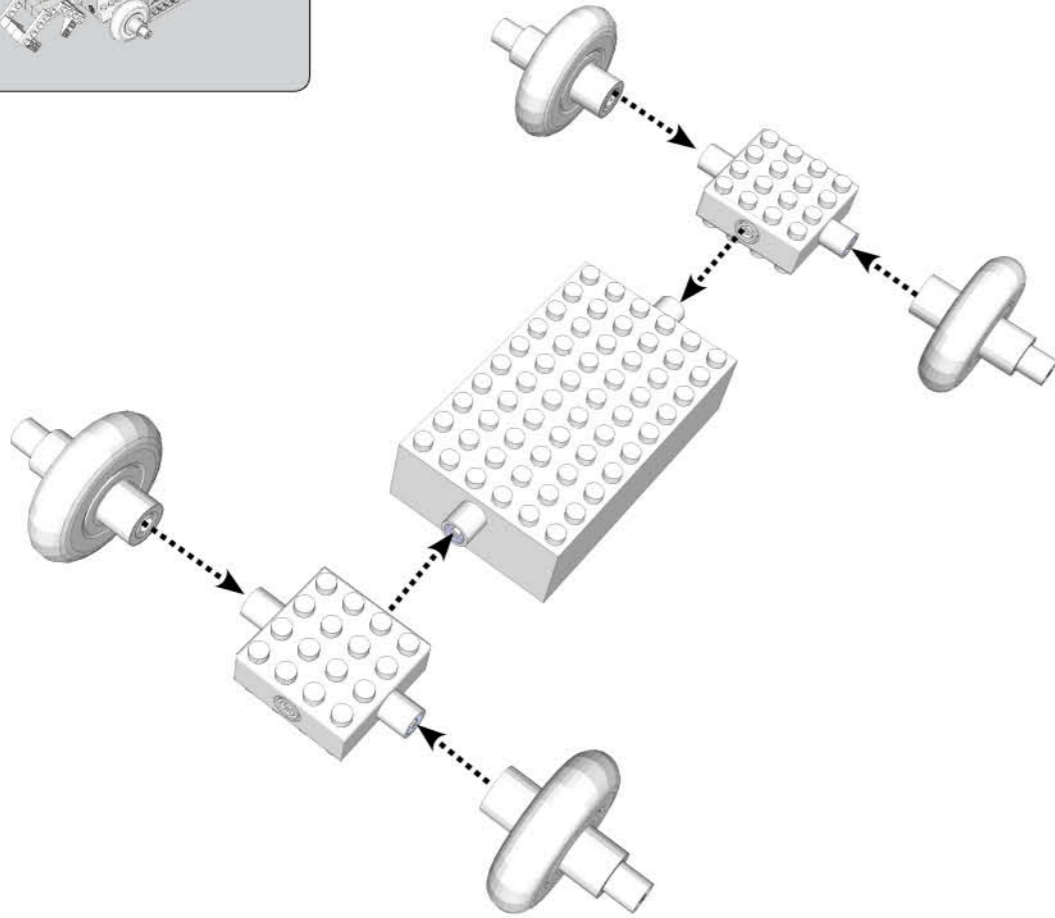


STEP 14

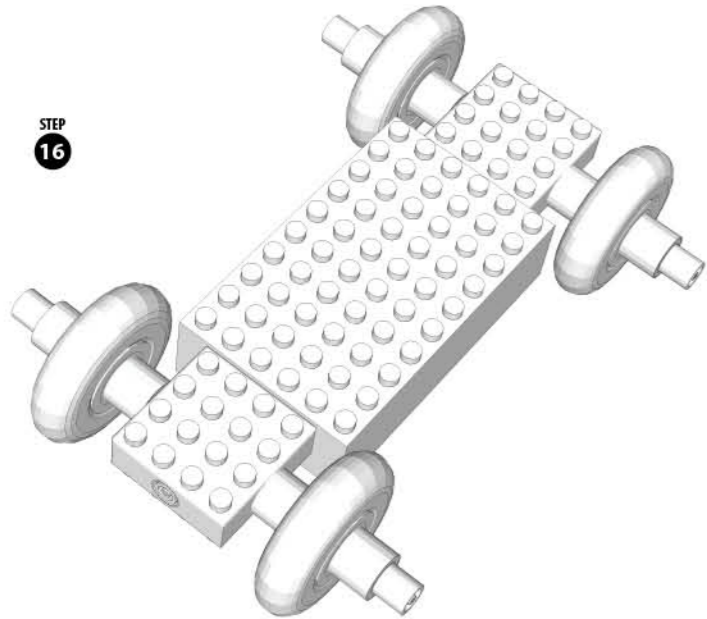




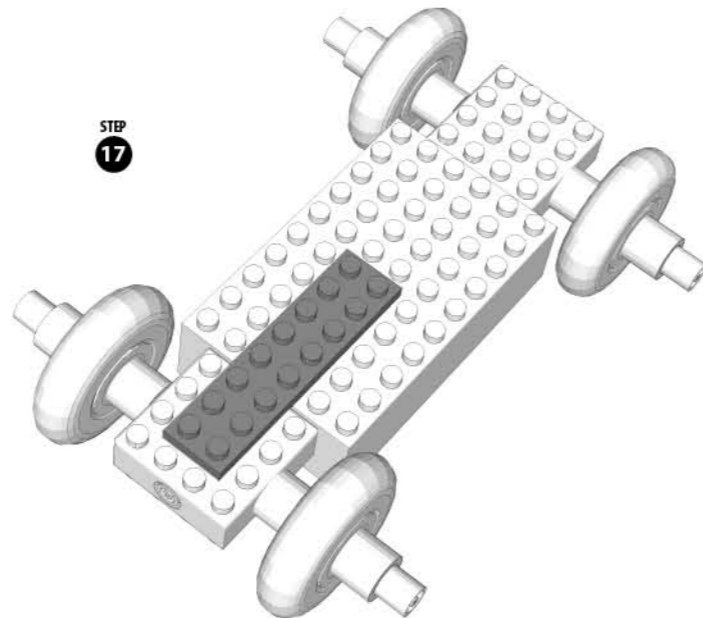
STEP 15



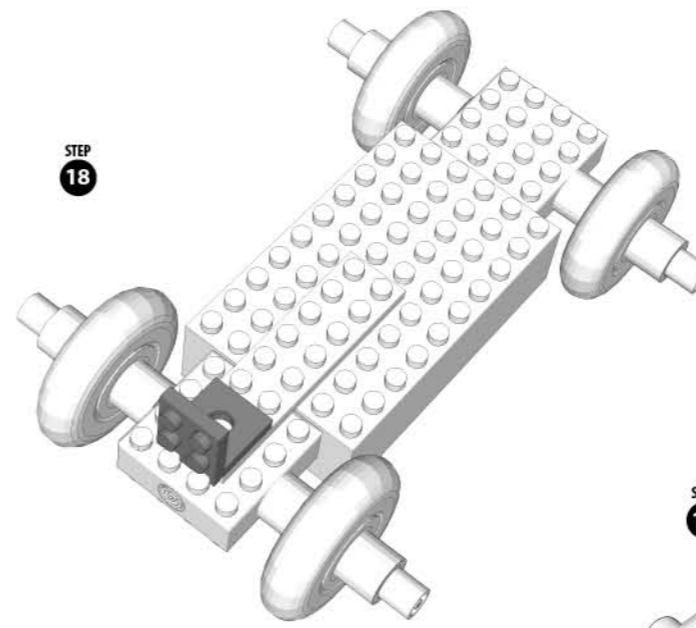
STEP 16



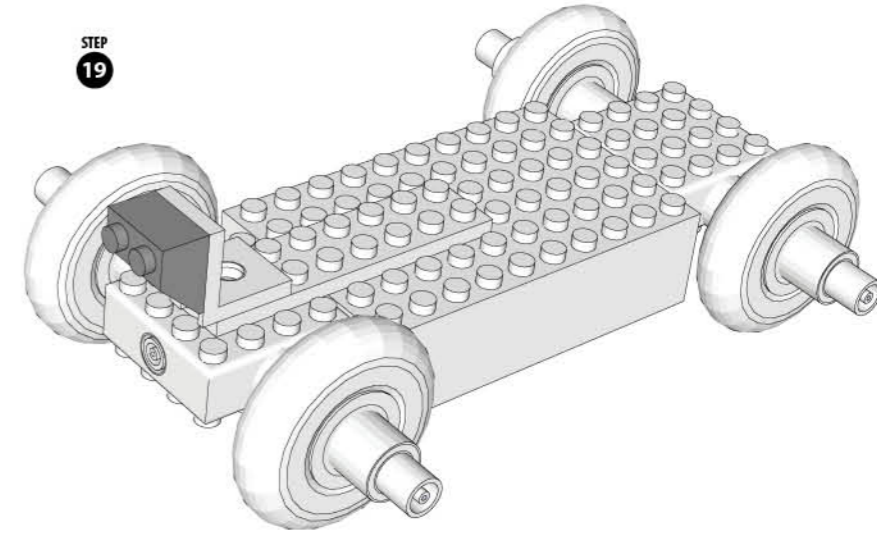
STEP 17



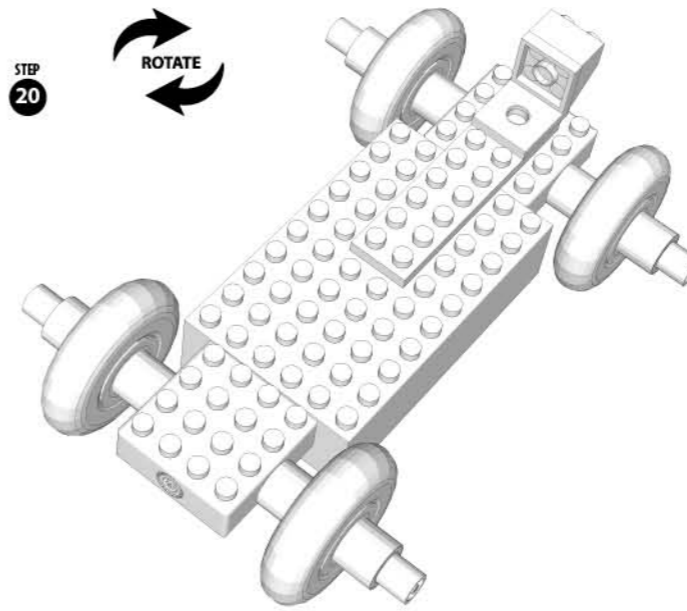
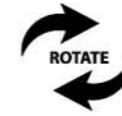
STEP 18



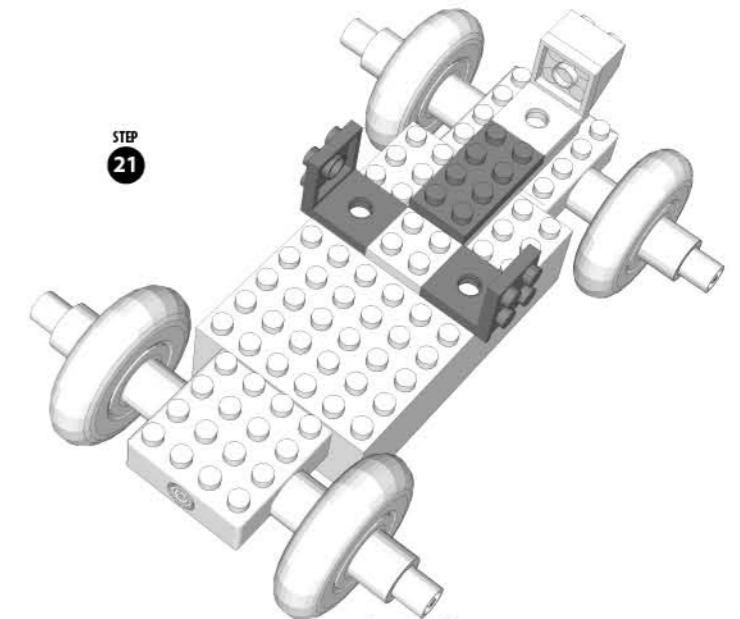
STEP 19



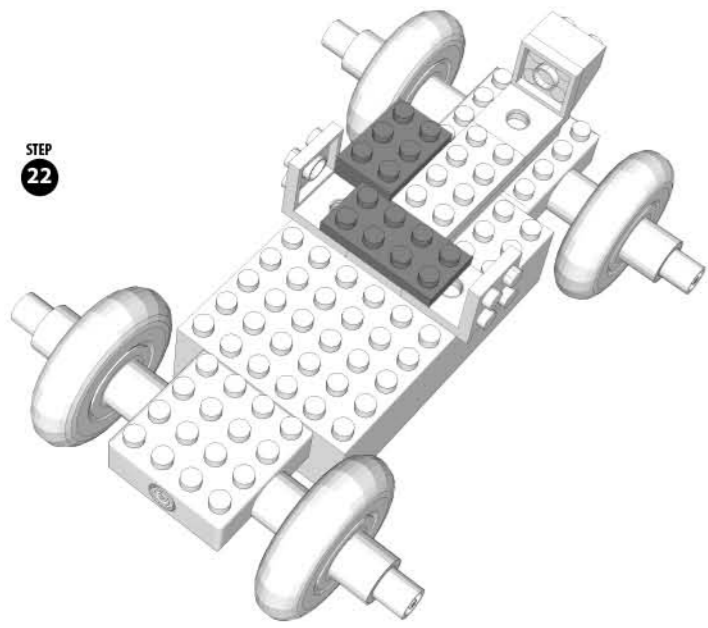
STEP 20



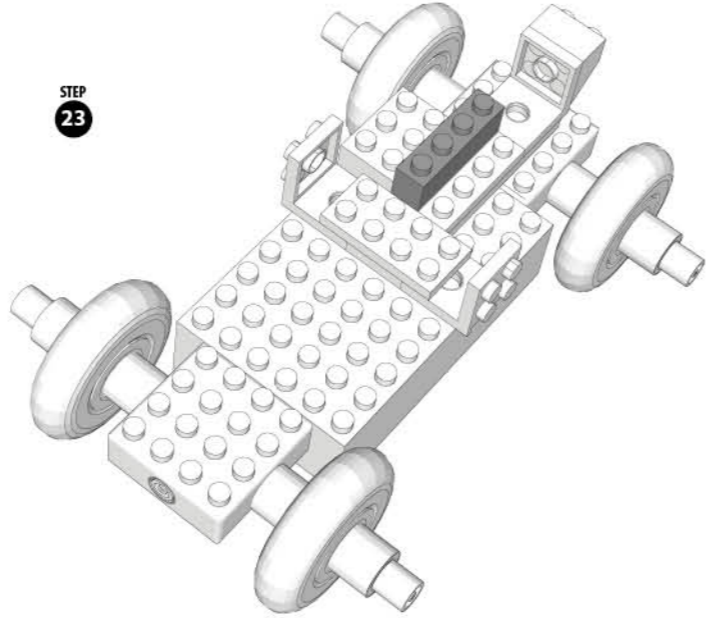
STEP 21



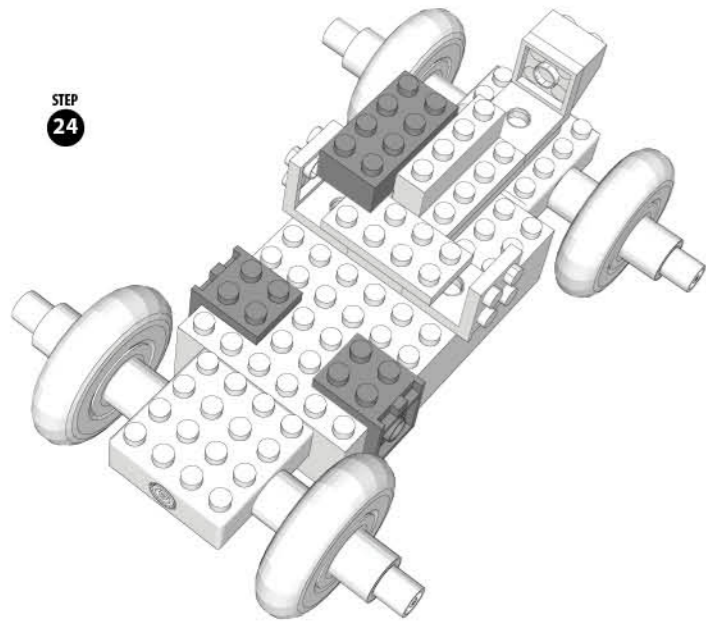
STEP 22



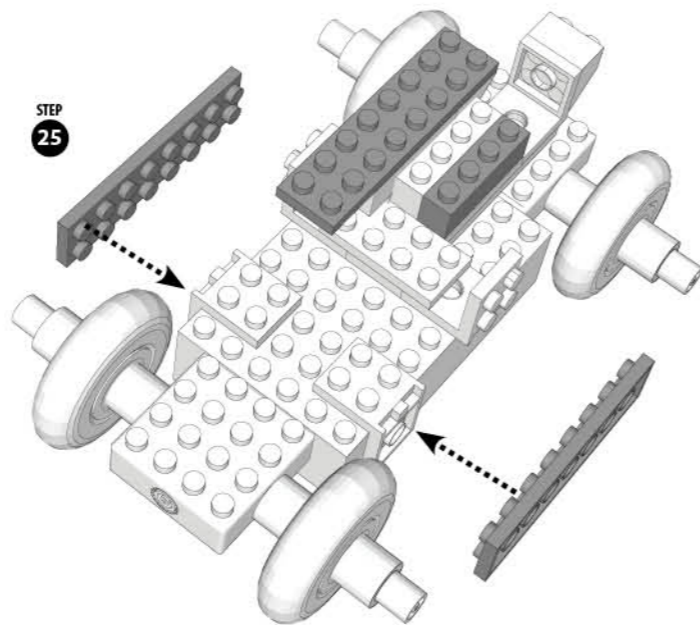
STEP 23



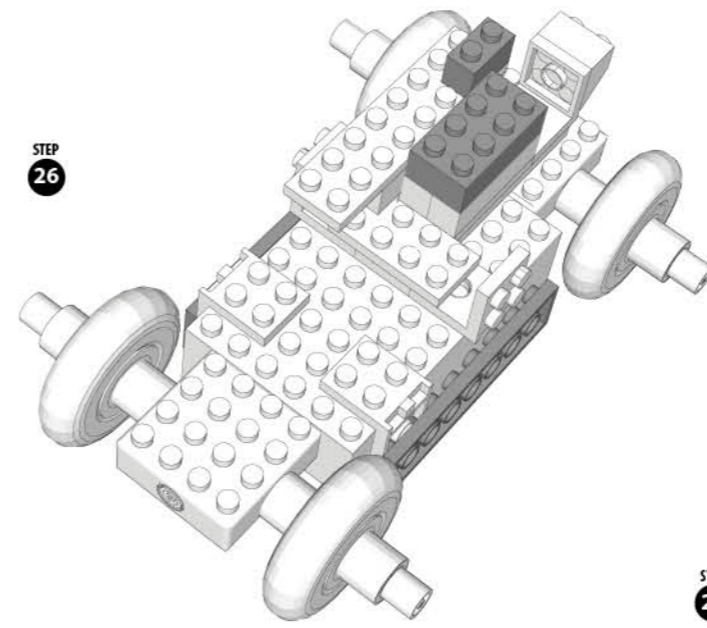
STEP 24



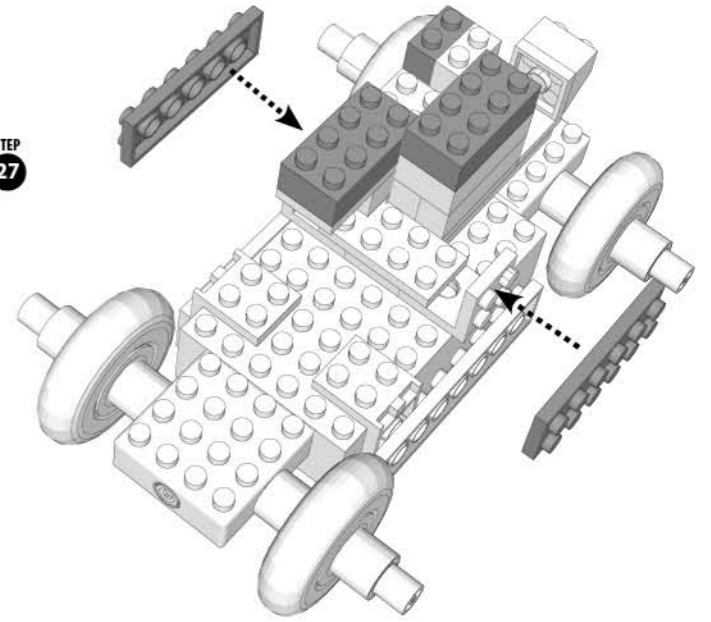
STEP 25



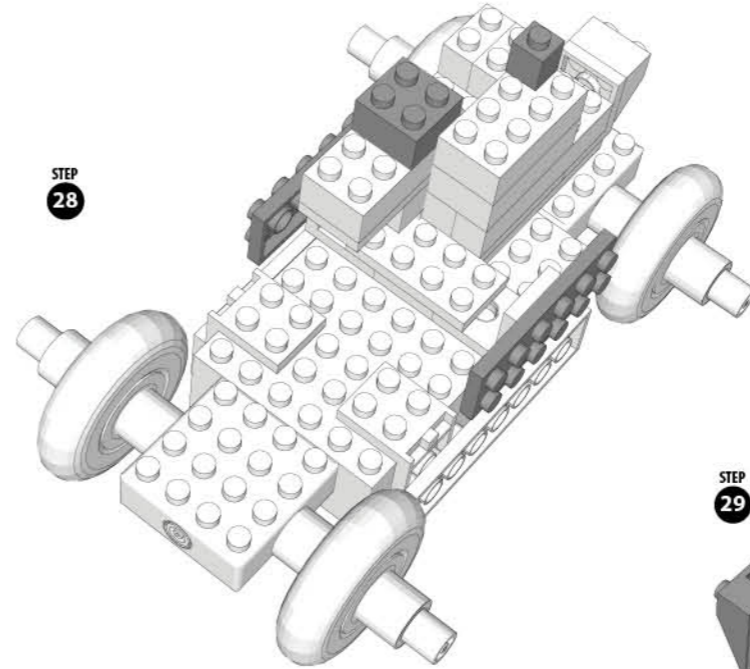
STEP 26



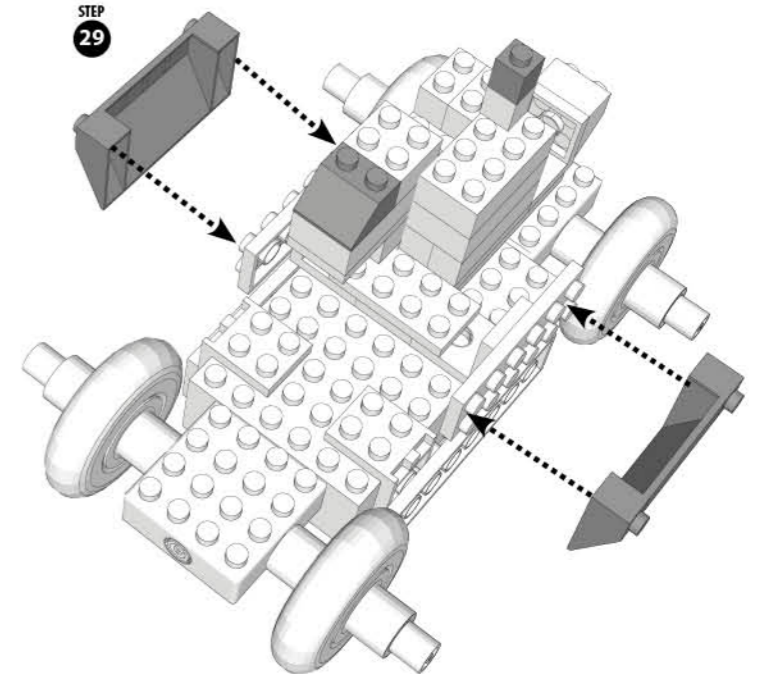
STEP 27



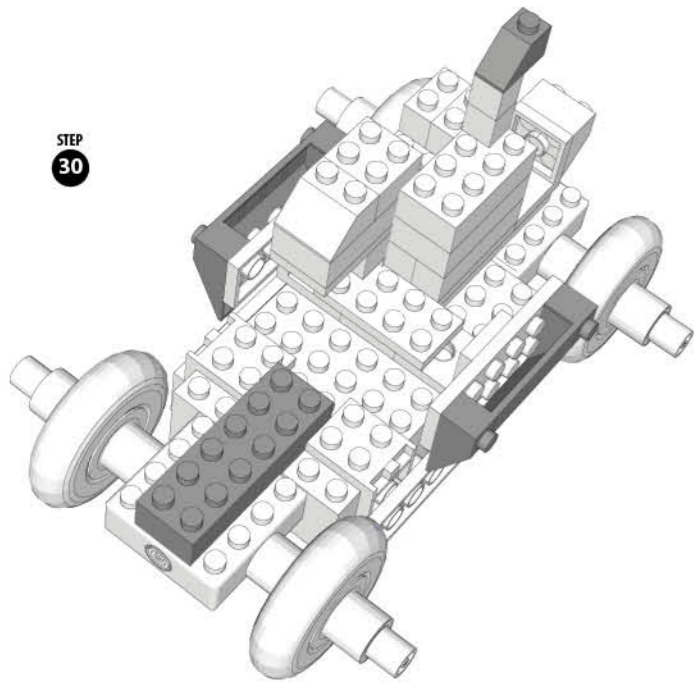
STEP 28



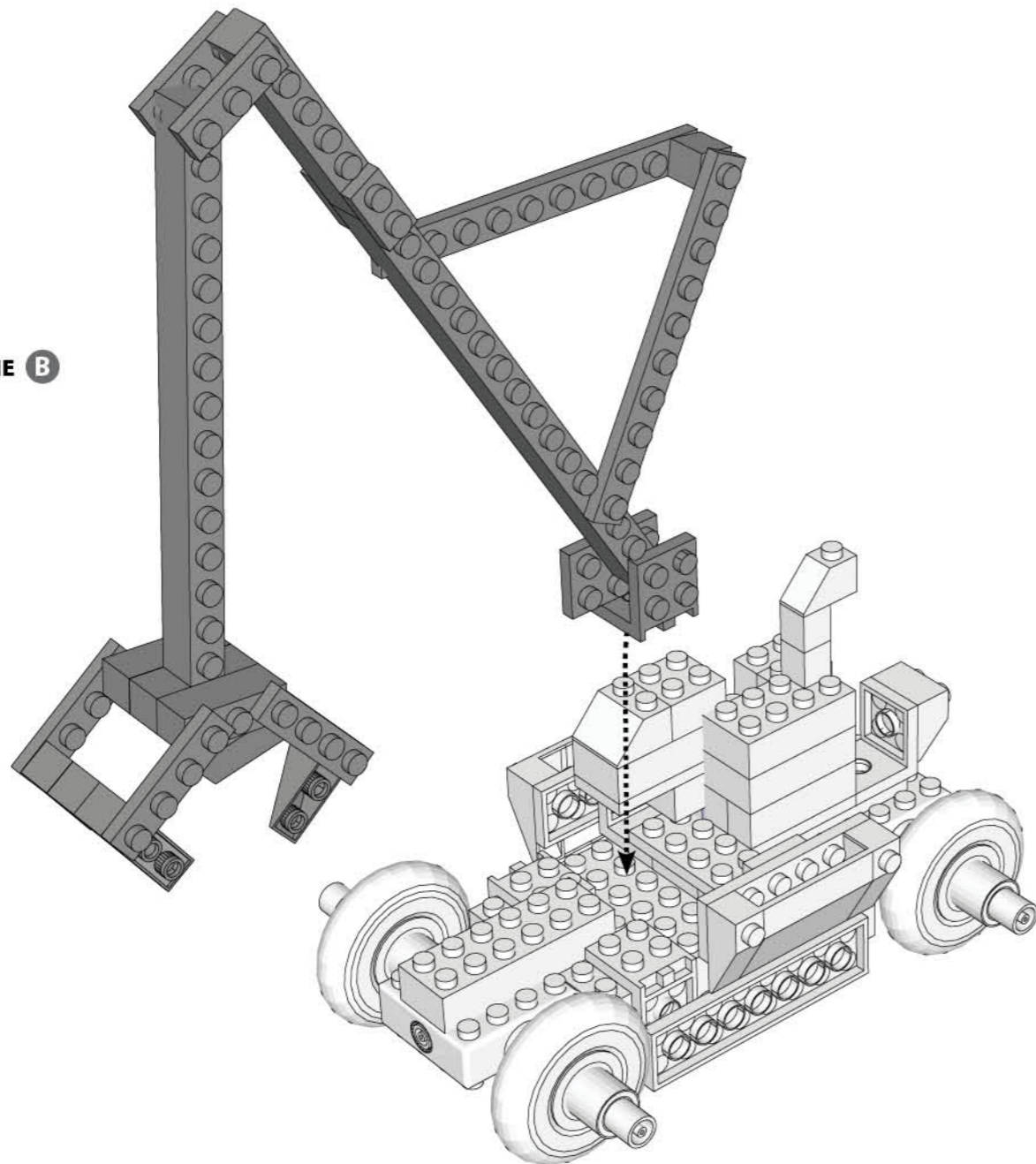
STEP 29



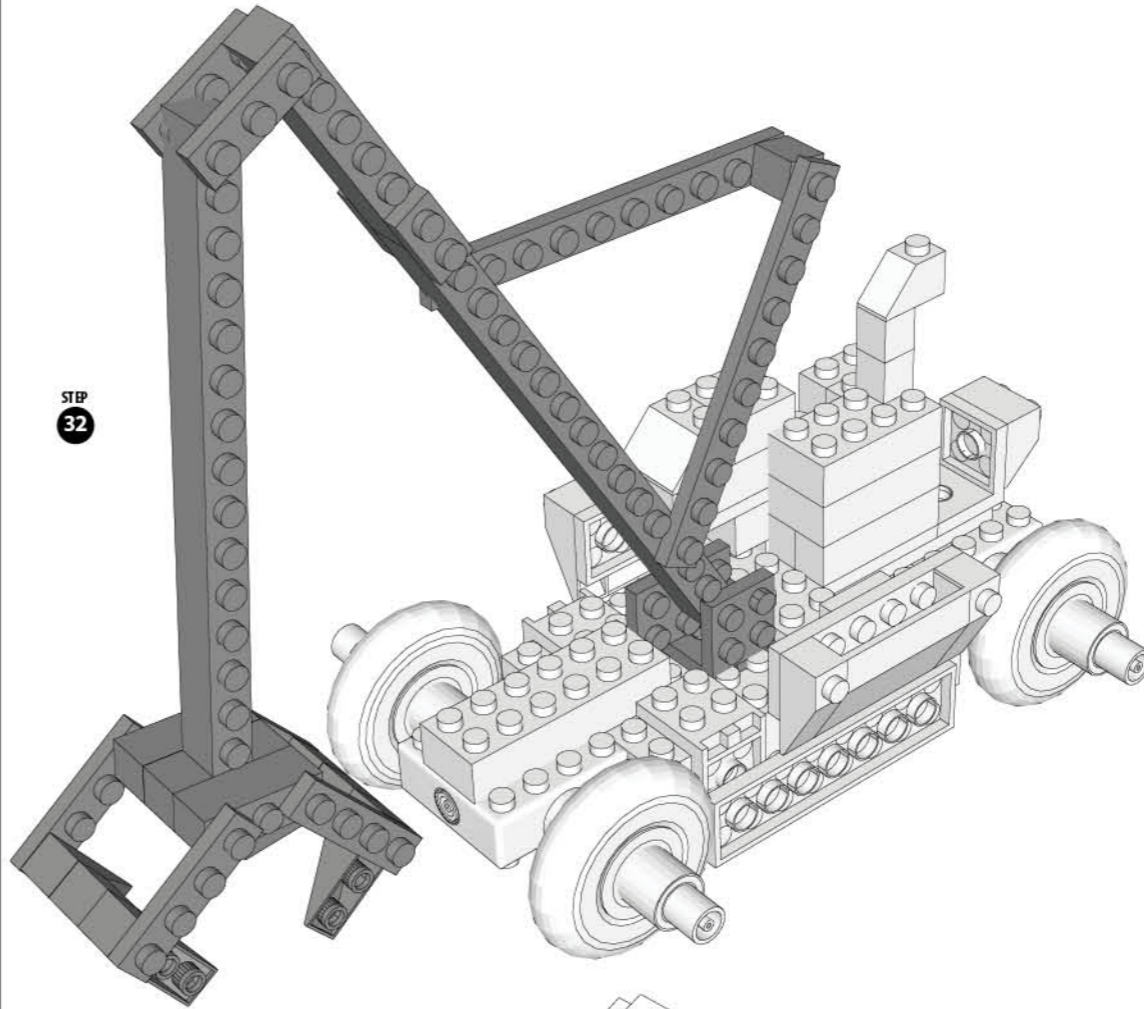
STEP 30



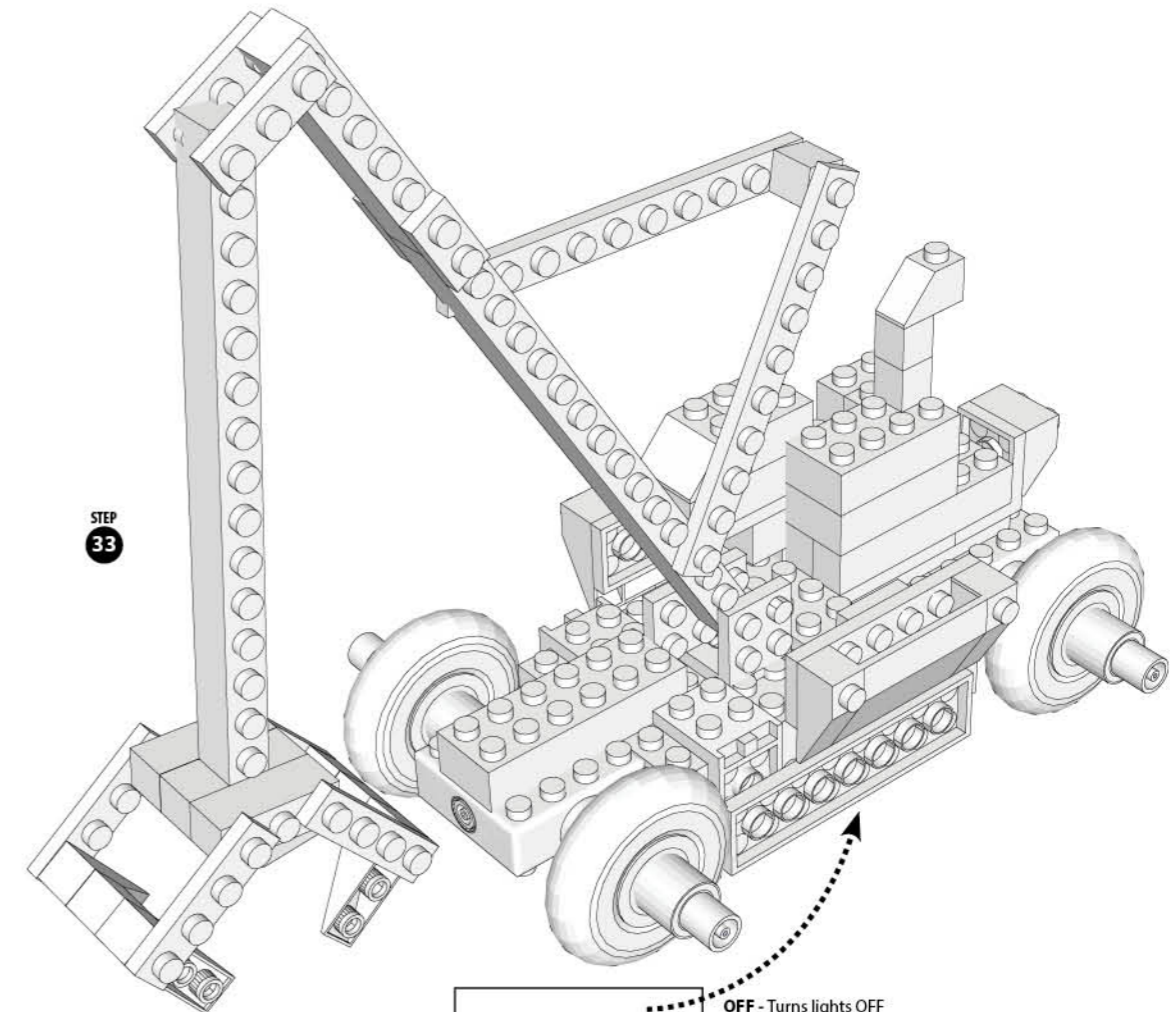
STEP 31 COMBINE B



STEP 32



STEP 33



Slide the switch to Light It Up!



www.LaserPegs.com

Copyright 2014 © All Rights Reserved Global & Multiple Patents Pending.
 US Patent #7,731,558

Environmental Phenomena
 * The unit may malfunction if subjected to radio-frequency interference. It SHOULD revert to normal operation when the interference stops. If not, it may become necessary to turn the power off and back on, or remove and reinstall the batteries. * In the unlikely event of an electrostatic discharge, the unit may malfunction and lose memory, requiring the user to reset the device by removing and reinstalling the batteries.

MADE IN CHINA

LASER PEGS®

The Ultimate Construction Toy For Kids®

PBI420B

POWER BLOCK
Construction Series

Ages 5+
8 Models+
Any creation you can build

LIGHTED
MOBILE POWER BLOCK™ SET
INCLUDES:

- 100 Tinted Bricks
- 4 Tire Pegs
- 2 Square M-M Pegs
- 1 Mobile Power Block™

Requires 3 AAA Batteries

Please read this manual before you begin! Failure to follow this manual's instructions may result in damage to the Power Base and/or Laser Pegs®. Not adhering to these instructions will void the manufacturer's warranty. The packaging must be kept because it contains important information.

WARNING: CHOKING HAZARD—Small parts. Not for children under 3 yrs. Do not submerge in water.

DO NOT SUBMERGE IN WATER

Batteries NOT Included

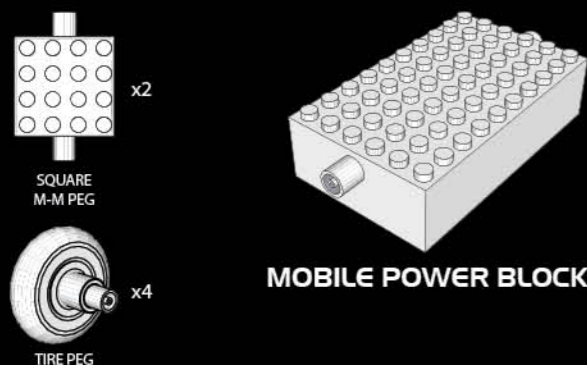
EN71, RoHS COMPLIANT

This product complies to all safety requirements of ASTM F 963

MODEL INSTRUCTIONS

All additional model instructions can be downloaded at www.LaserPegs.com

Laser Pegs® Parts List



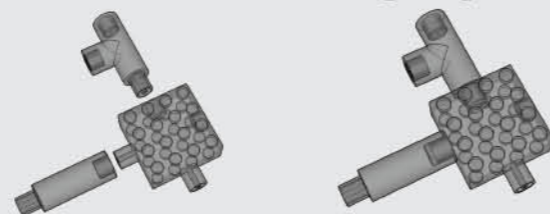
Color Code Each Laser Peg® is color coded on the circuit board inside each shape.



www.LaserPegs.com

This manual is copyright and cannot be reproduced or used online without Laser Pegs® Ventures LLC permission. Copyright 2014 © All Rights Reserved US Patent #7,731,558 Additional Global & Multiple Patents Pending. Laser Pegs® Ventures LLC, 8304 Consumer Ct., Sarasota FL 34240. Contact: Support@LaserPegs.com

Connecting Pegs



To construct with Laser Pegs®, slide two pieces together to form a connection. Slide each piece on and off smoothly.

POWER BLOCK

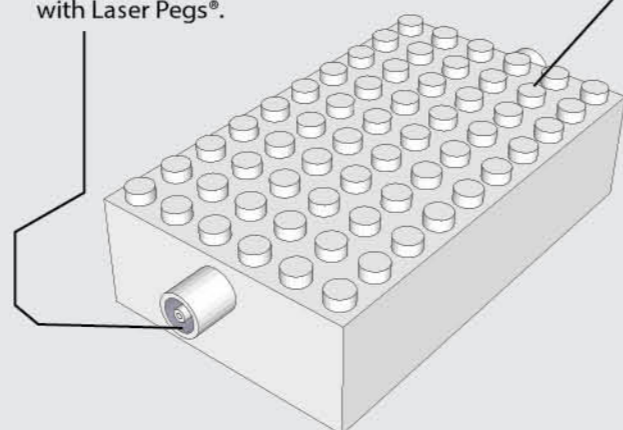
The Power Block is a Power Base that allows you to build with Laser Pegs® and construction parts to build models that light up. It is battery operated. (BATTERIES NOT INCLUDED.)

Laser Pegs® Connections

Allows you to construct with Laser Pegs®.

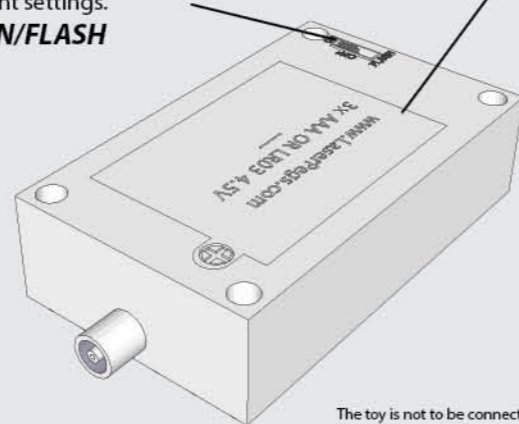
Construction Part Connections

Allows you to connect to other construction kits.



Power Switch

Move the Power Switch to cycle through the Power Block light settings.
OFF/ON/FLASH

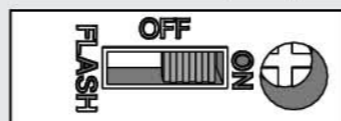


Battery Compartment

Requires 3-AAA Batteries (Batteries Not Included)

LIGHT SETTINGS

OFF - Turns lights OFF
ON - Turns lights ON
FLASH - Makes lights FLASH



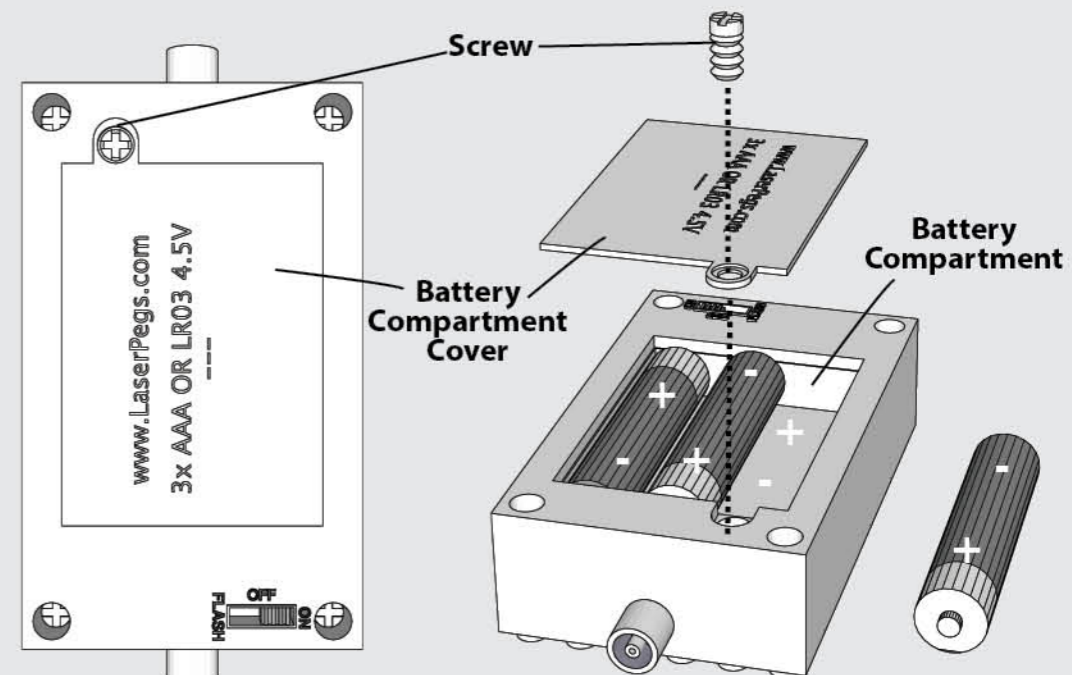
WARNING: STROBE LIGHTS MAY CAUSE SEIZURES

WARNING! Each Laser Peg® draws current from the batteries. Therefore, the more pegs you use, the quicker you will deplete your battery power! As the power weakens, the current will slowly fail and some Laser Pegs® will illuminate (typically the reds and yellows) and some won't. When the Laser Pegs® dim, the Laser Pegs® are not broken, they just need stronger batteries. You have 2 simple options...
1. Change the batteries.
2. Use high quality batteries. They will last a little longer, but they will still deplete rapidly the more Laser Pegs® you connect!

Replacing Batteries

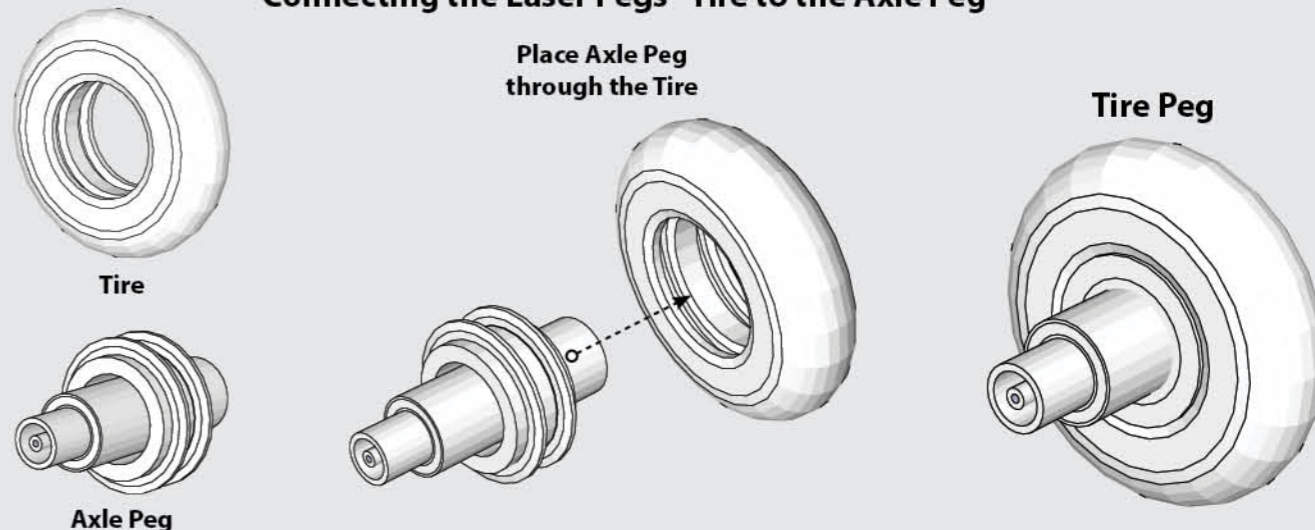
1. Remove Screw.
2. Lift off Battery Compartment Cover.
3. Place three (3) AAA batteries in the correct position - as displayed inside of the Power Block.
4. Replace Battery Compartment Cover and Screw.
5. Slide Power Switch setting to OFF/ON/FLASH.
6. Do not mix old and new batteries.
7. Do not mix alkaline, standard (carbon-zinc), or rechargeable (nickel-cadmium, NiMH) batteries!
8. Exhausted batteries are to be removed from the power base.
9. Never connect more than 30 Laser Pegs® at one time!
10. Non-rechargeable batteries are not to be recharged.
11. Rechargeable batteries are only to be recharged under adult supervision.
12. Rechargeable batteries are to be removed from the toy before being recharged.
13. Batteries are to be inserted with the correct polarity.
14. The supply terminals are not to be short-circuited.
15. DO NOT THROW BATTERIES INTO FIRE!

Remove the Phillips head screw with a 4mm screw driver.
Requires 3-AAA Batteries
Batteries NOT Included



Requires 3-AAA Batteries

Connecting the Laser Pegs® Tire to the Axle Peg

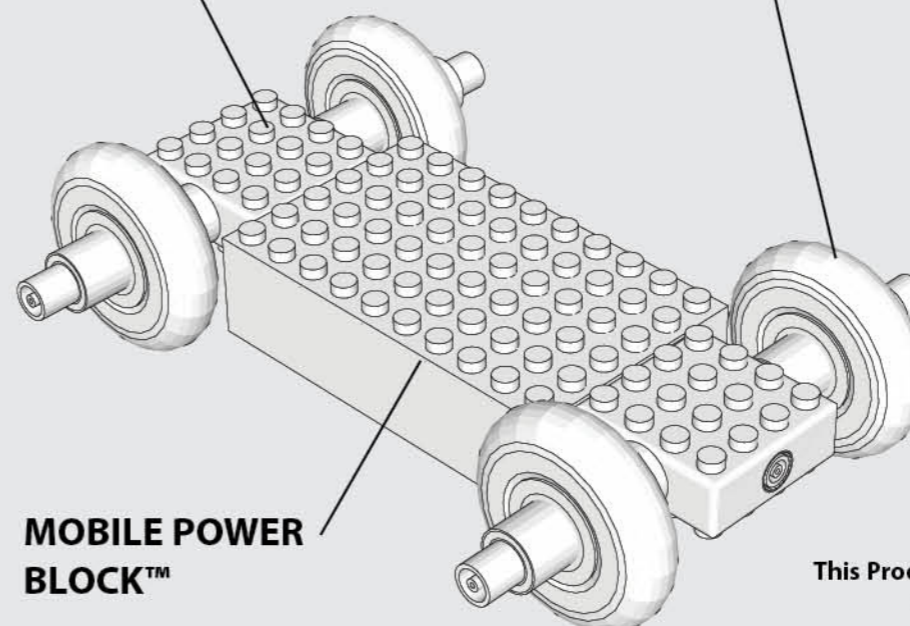


POWER BLOCK™

Use the Laser Pegs® Square M-M Peg to attach the Tire Pegs to the Power Block™.

Laser Pegs® Square M-M Peg

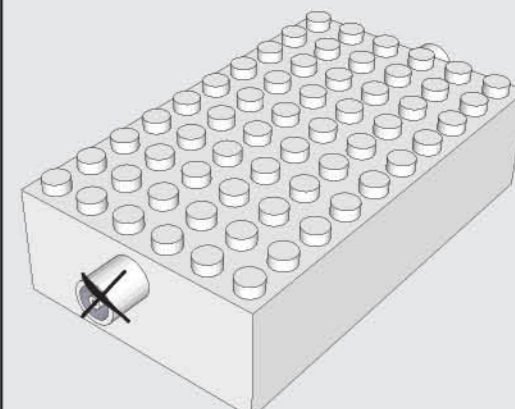
Tire Peg



MOBILE POWER BLOCK™

AVOID DAMAGE TO PEG HOLES

*To avoid short-circuits, keep metal objects and other unauthorized materials from obstructing the peg holes.



Never connect more than 30 Laser Pegs® to the Power Block at one time.

This Product contains a button battery. If swallowed, it could cause severe injury or death in just 2 hours. Seek medical attention immediately.

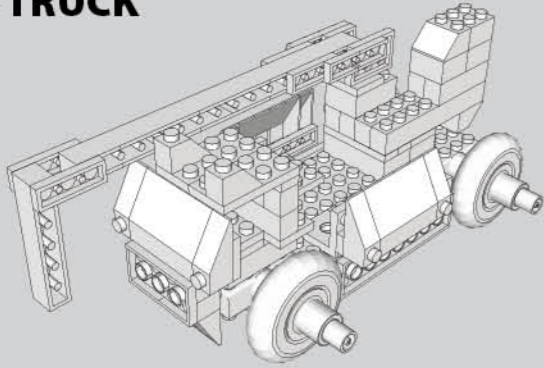
CRANE TRUCK: Advanced engineering and rigorous testing make telescopic boom crane trucks top in their class.



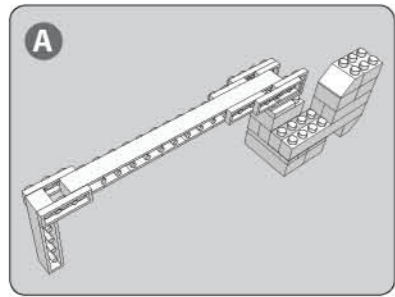
CRANE TRUCK

Model
Difficulty
Level

2



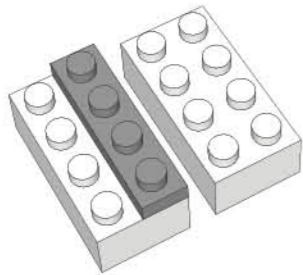
The TRY-ME mechanism is for display purposes ONLY and should be discarded as per state and local regulations. It is NOT intended to be used for the building of this model.



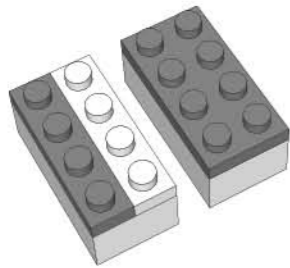
STEP 1



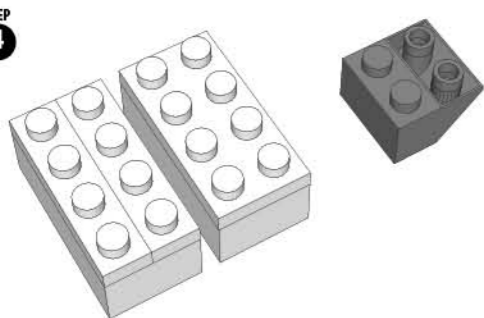
STEP 2



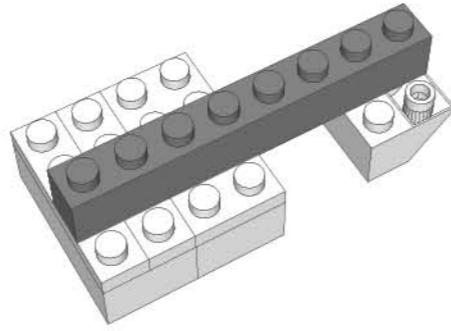
STEP 3



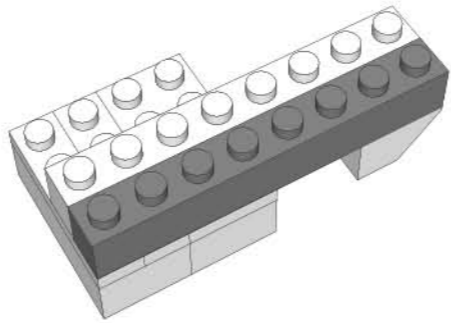
STEP 4



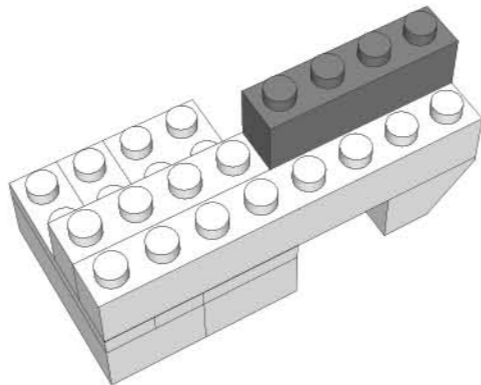
STEP 5



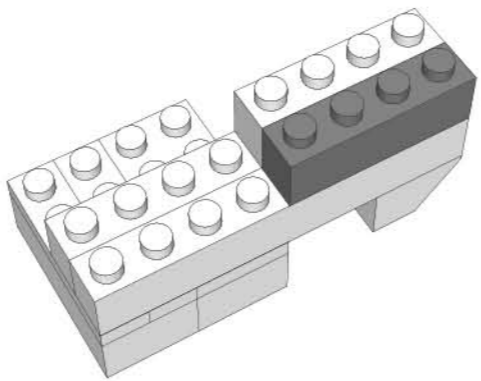
STEP 6



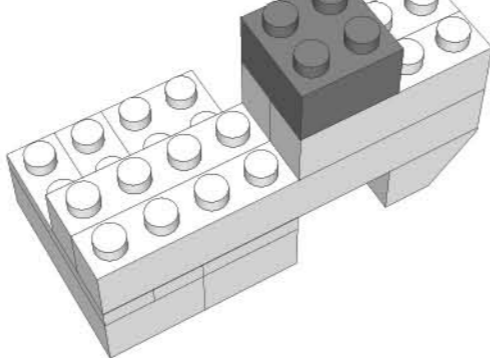
STEP 7



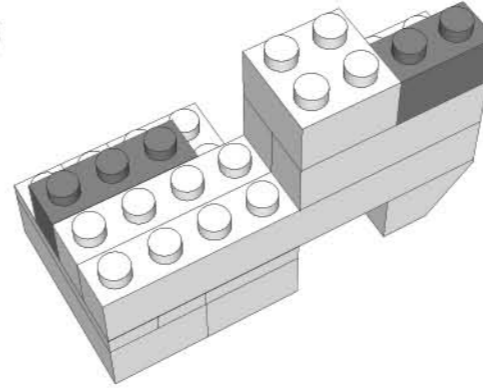
STEP 8



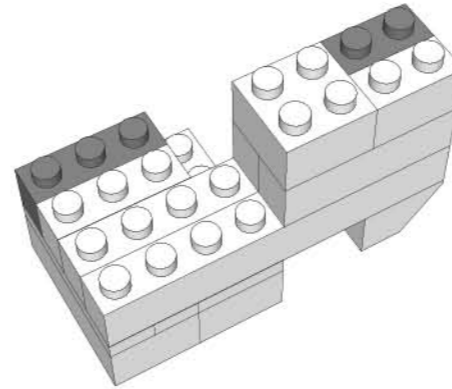
STEP 9



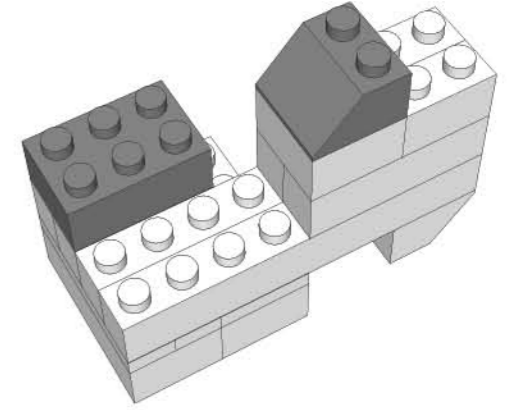
STEP 10



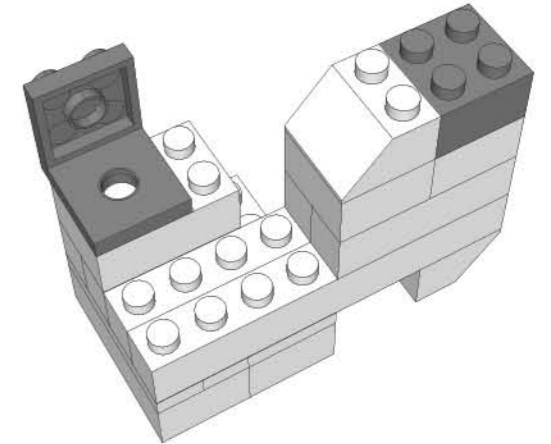
STEP 11



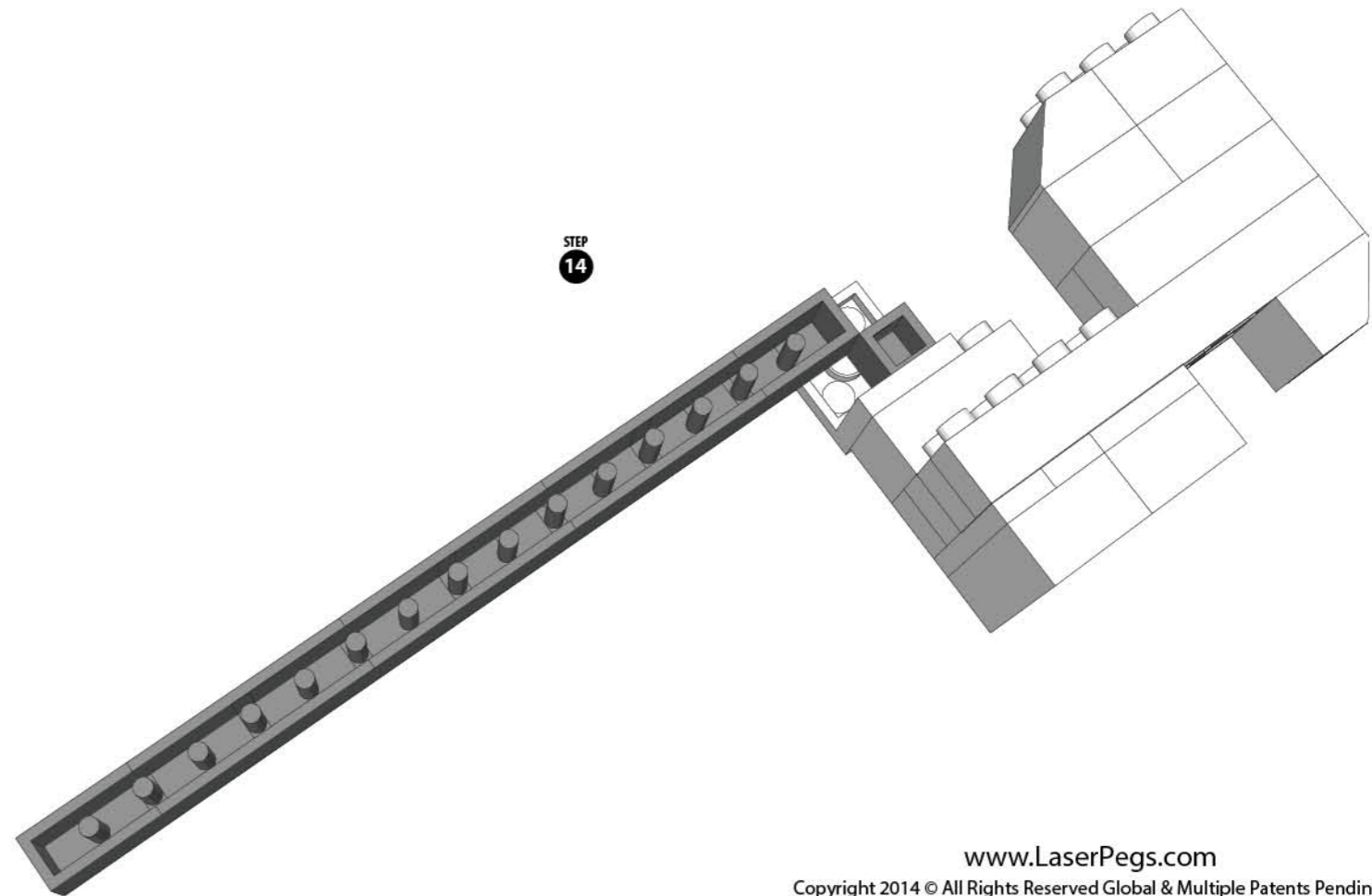
STEP 12



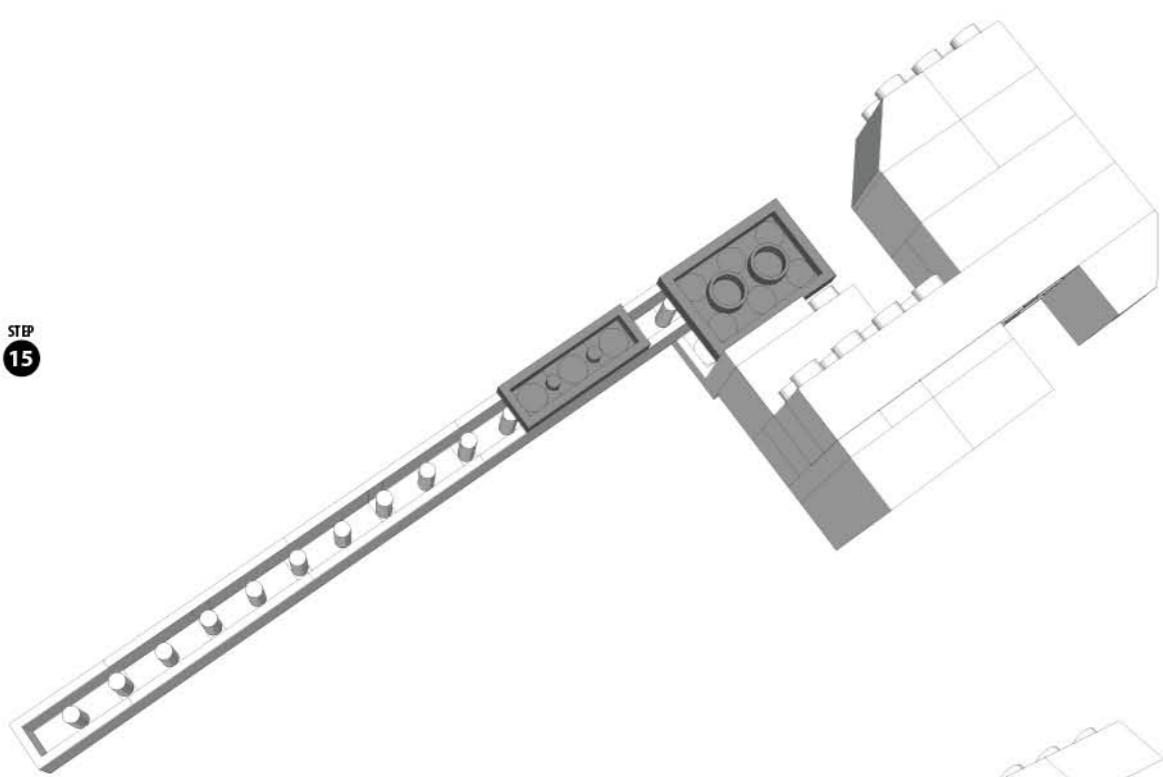
STEP 13



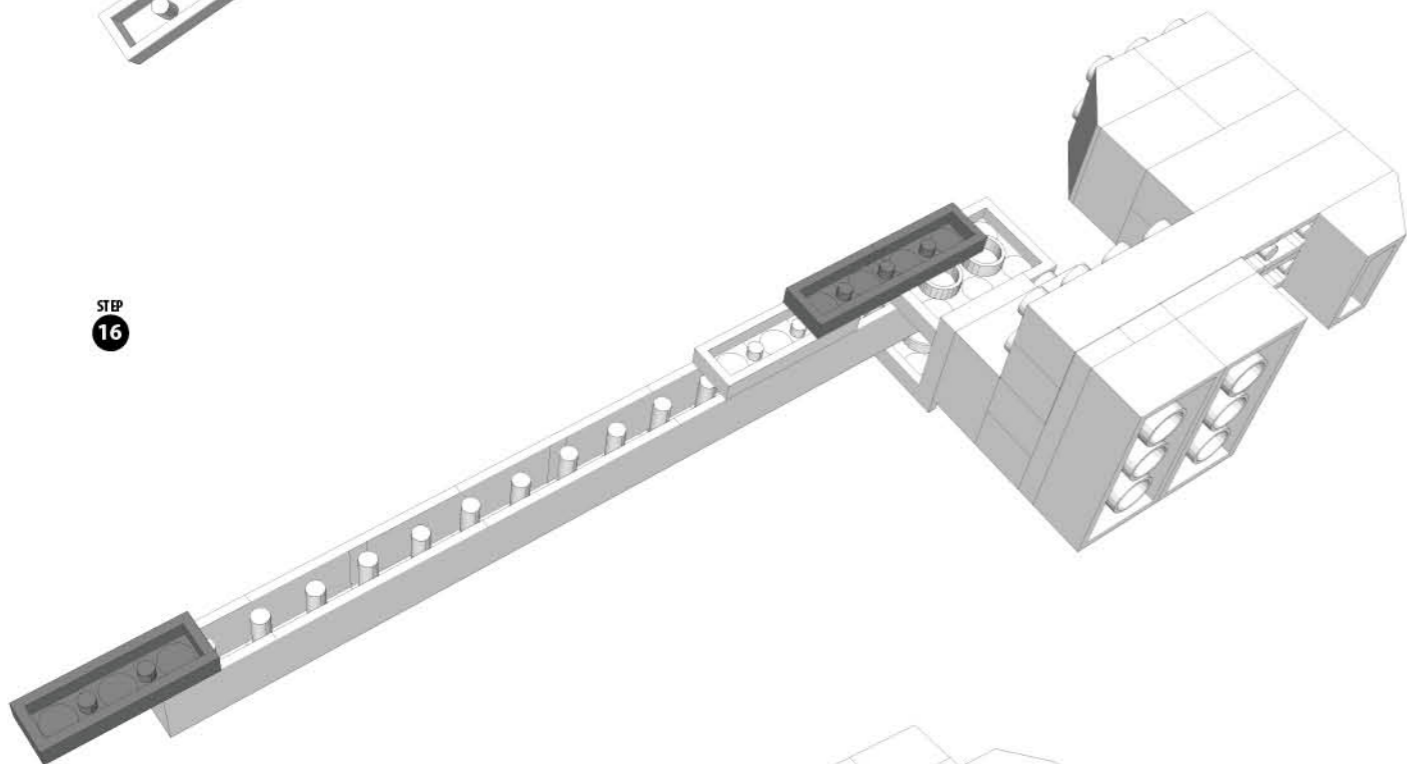
STEP 14



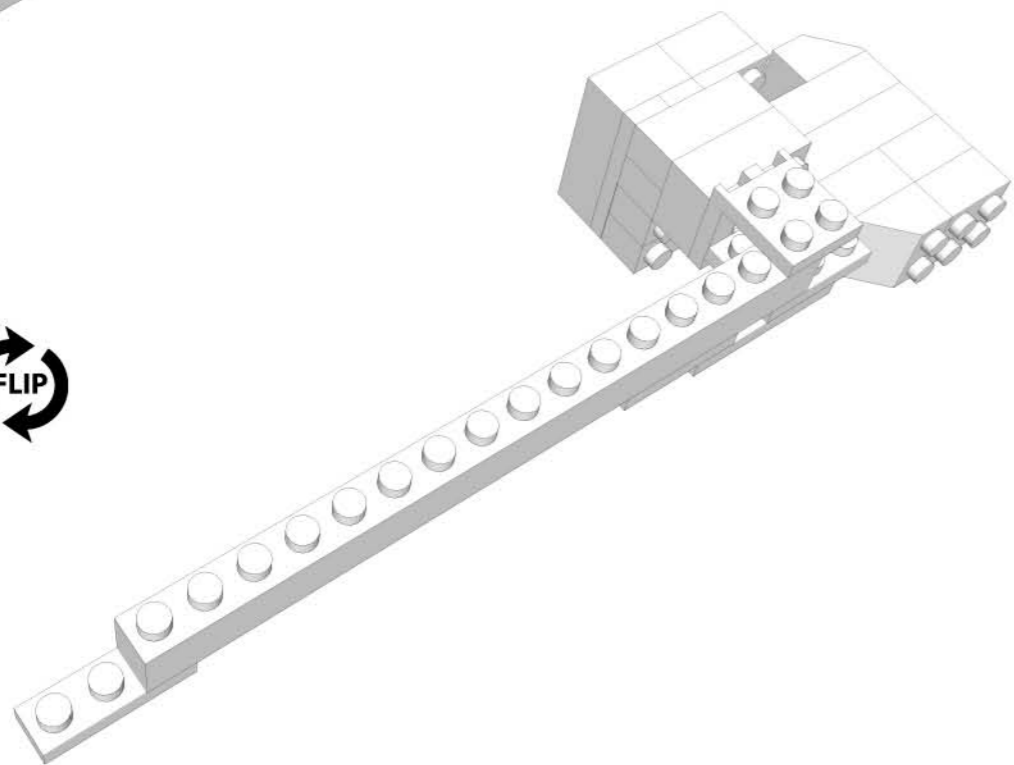
STEP
15



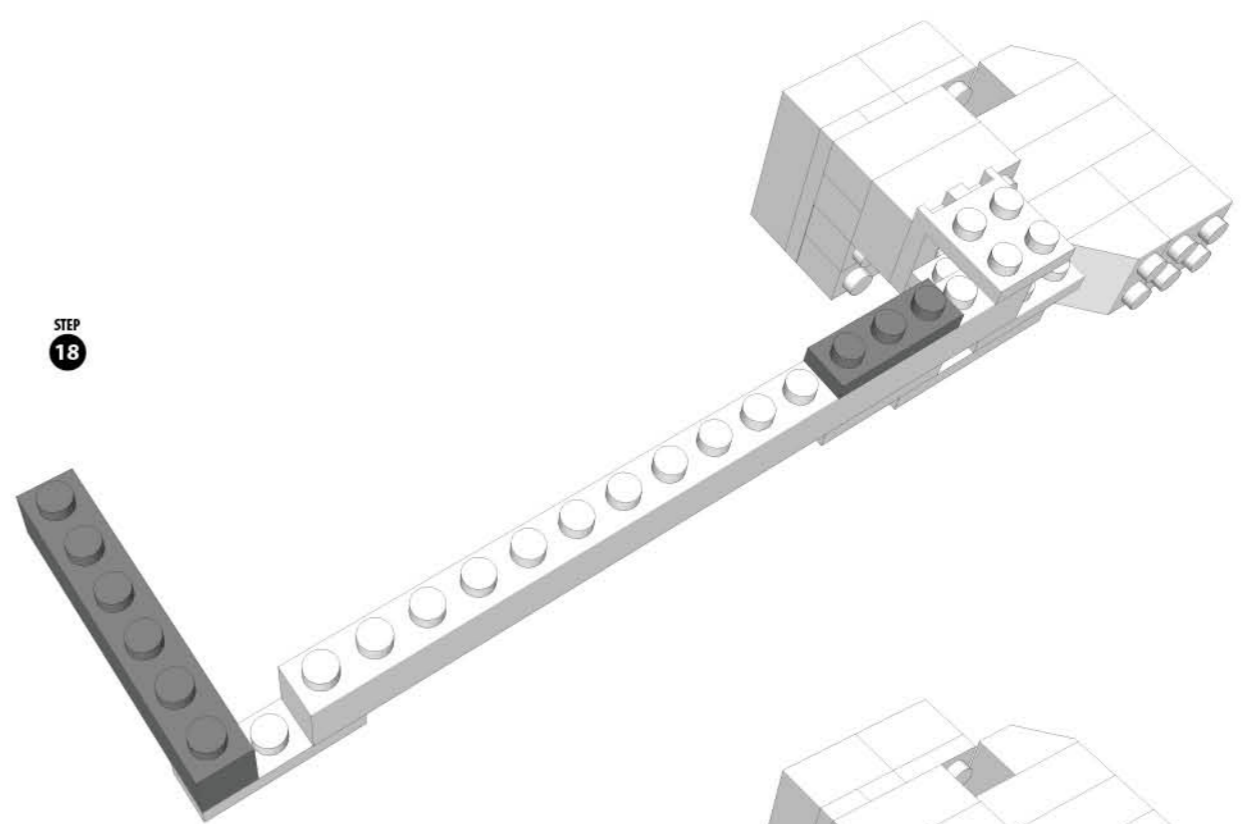
STEP
16



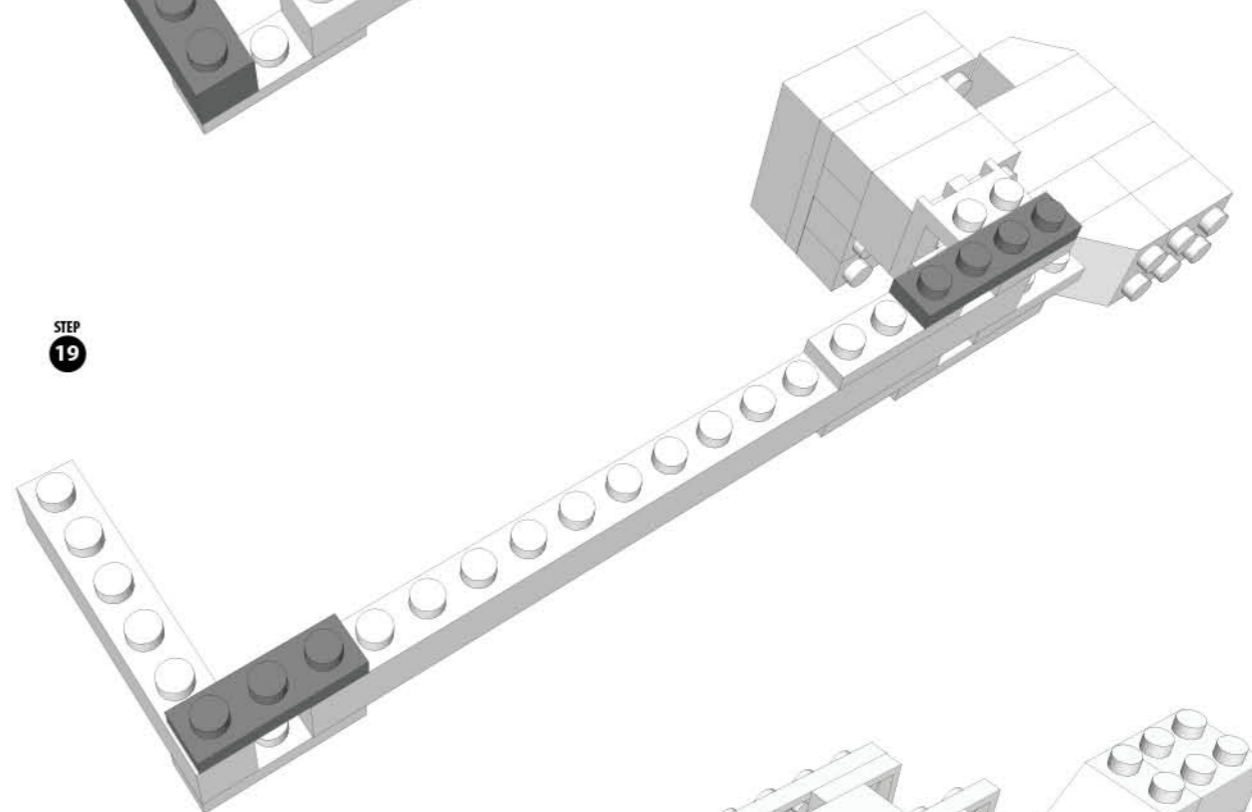
STEP
17



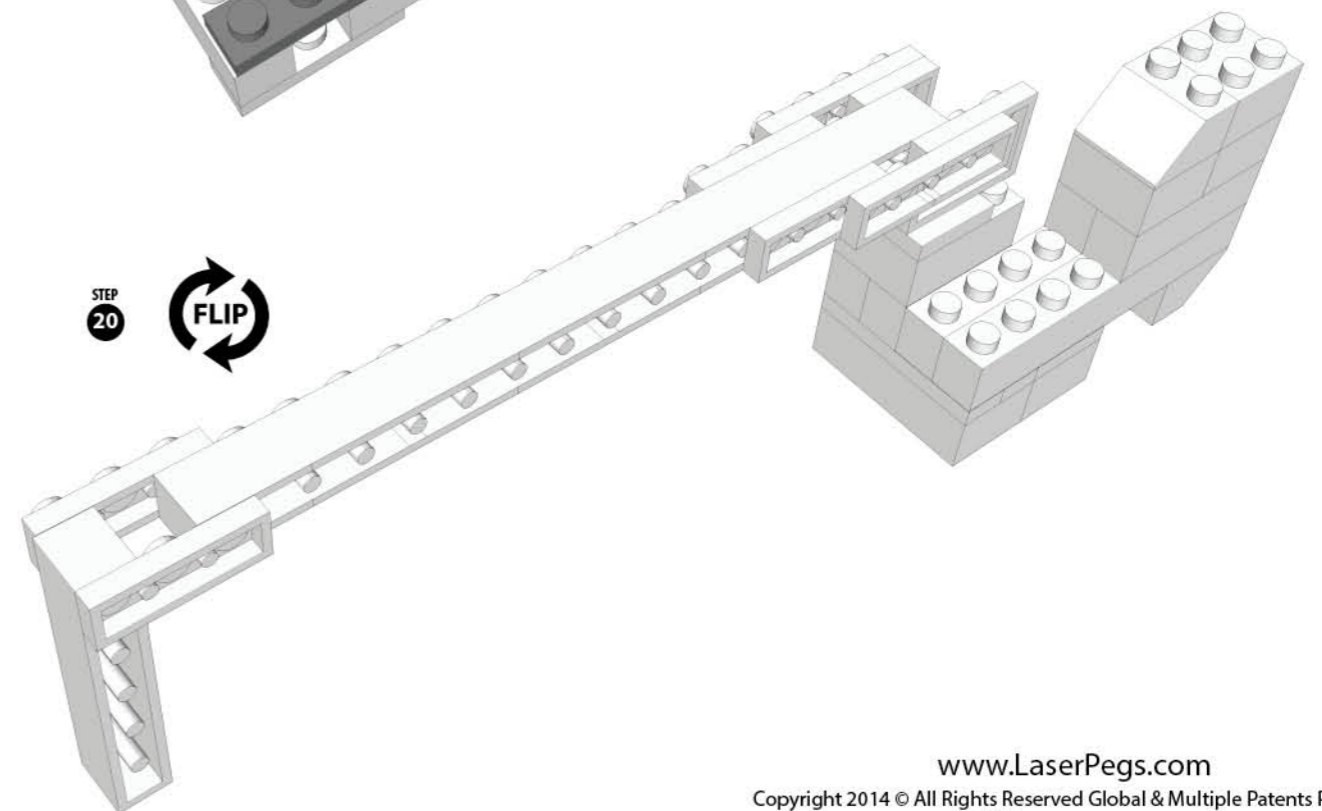
STEP
18

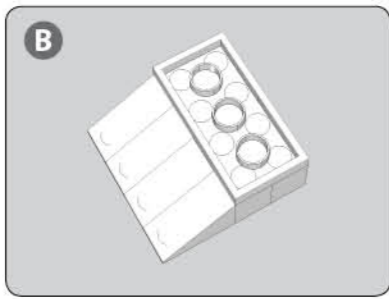


STEP
19

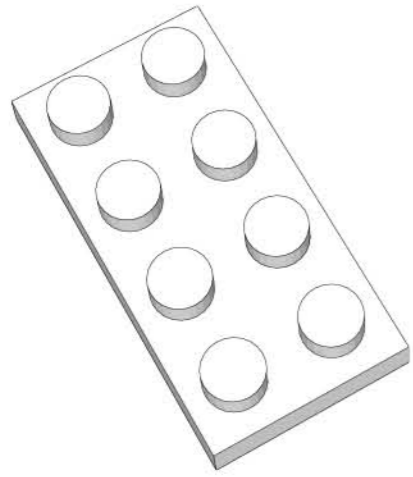


STEP
20

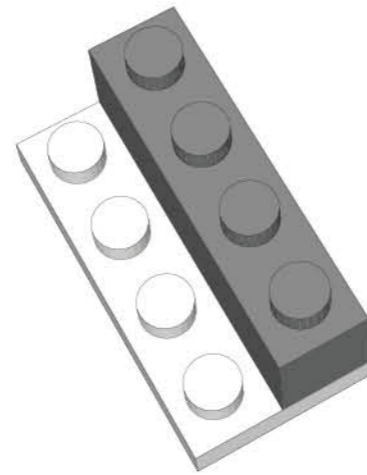




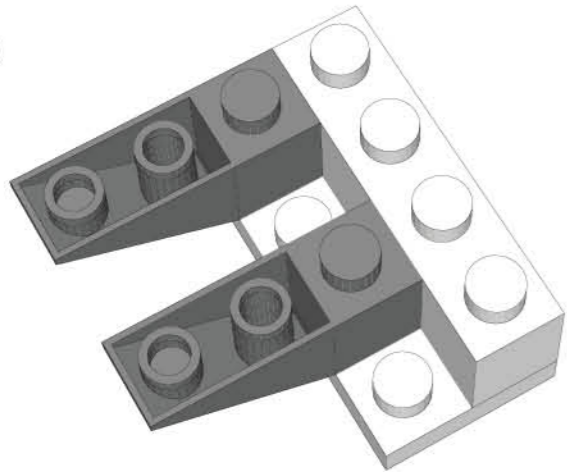
STEP 21



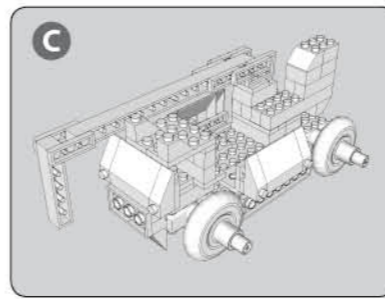
STEP 22



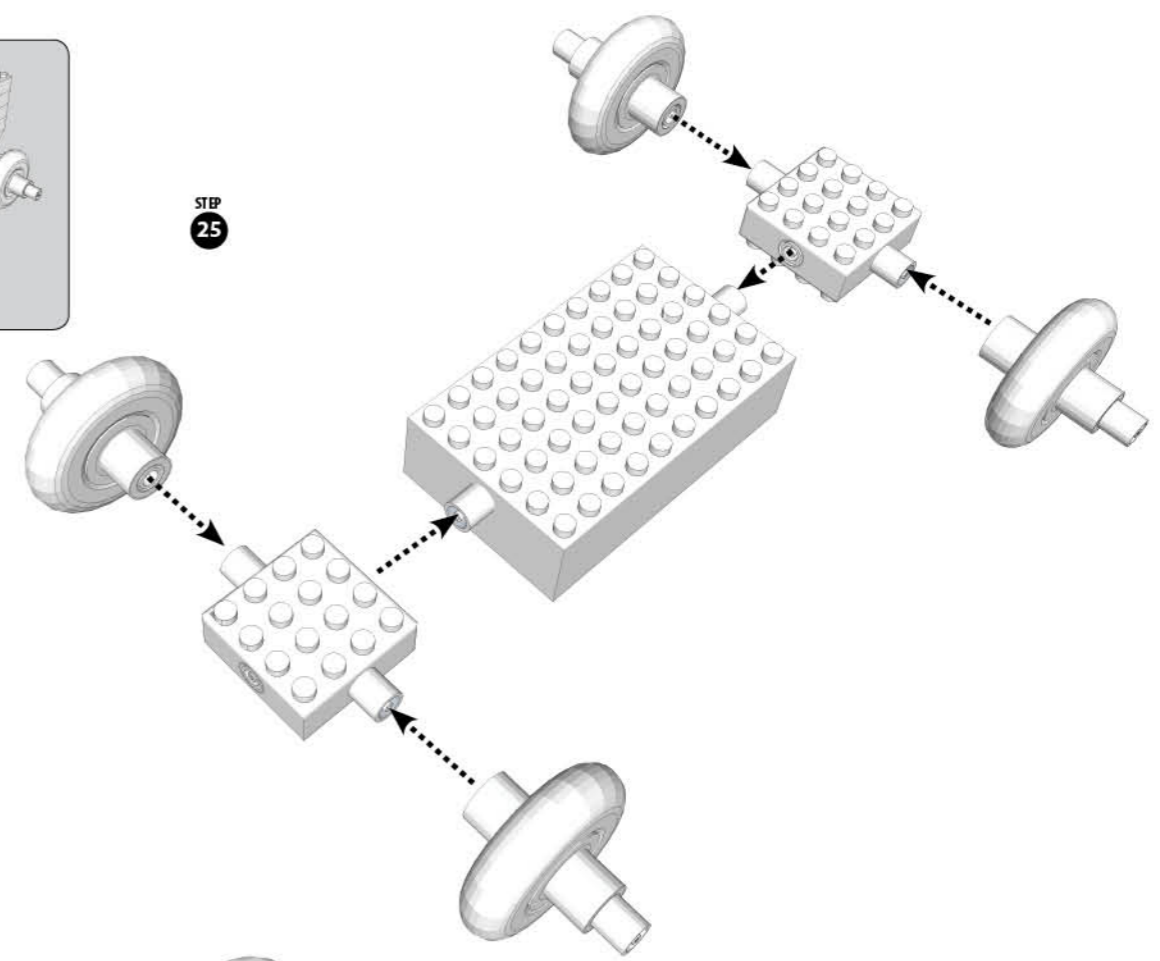
STEP 23



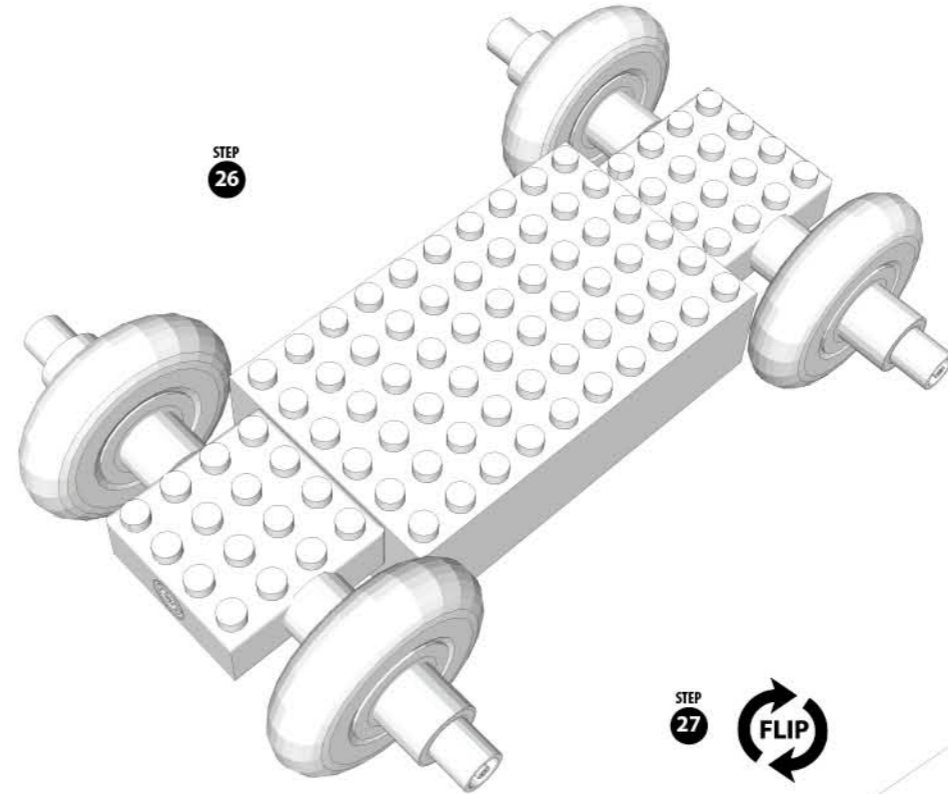
STEP 24



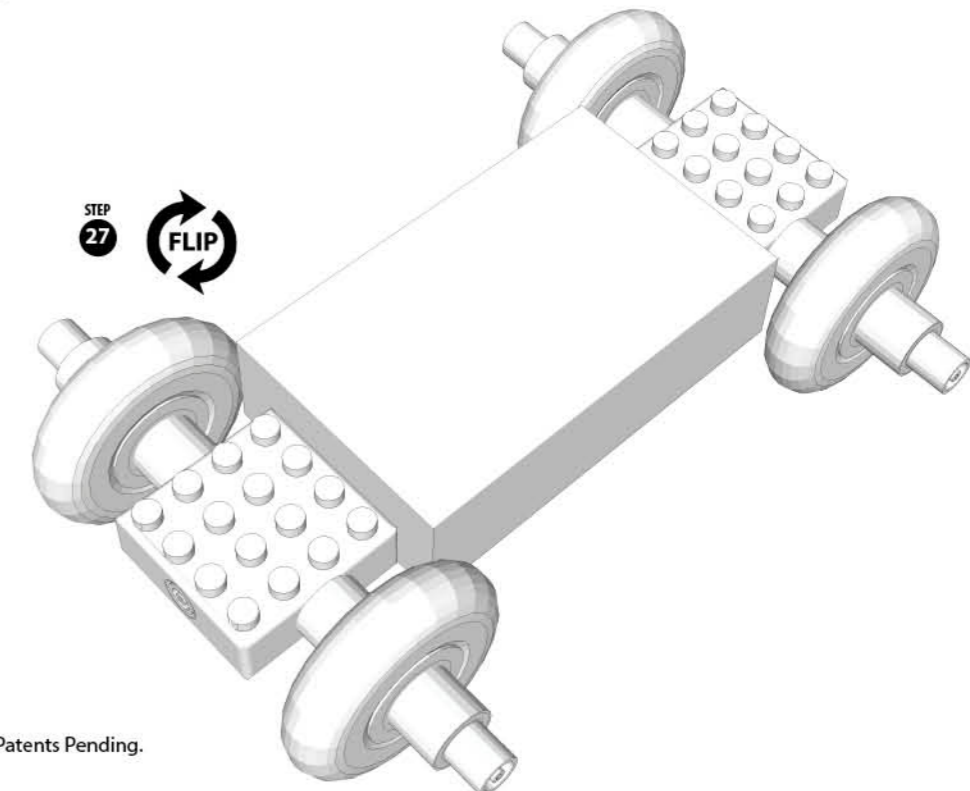
STEP 25

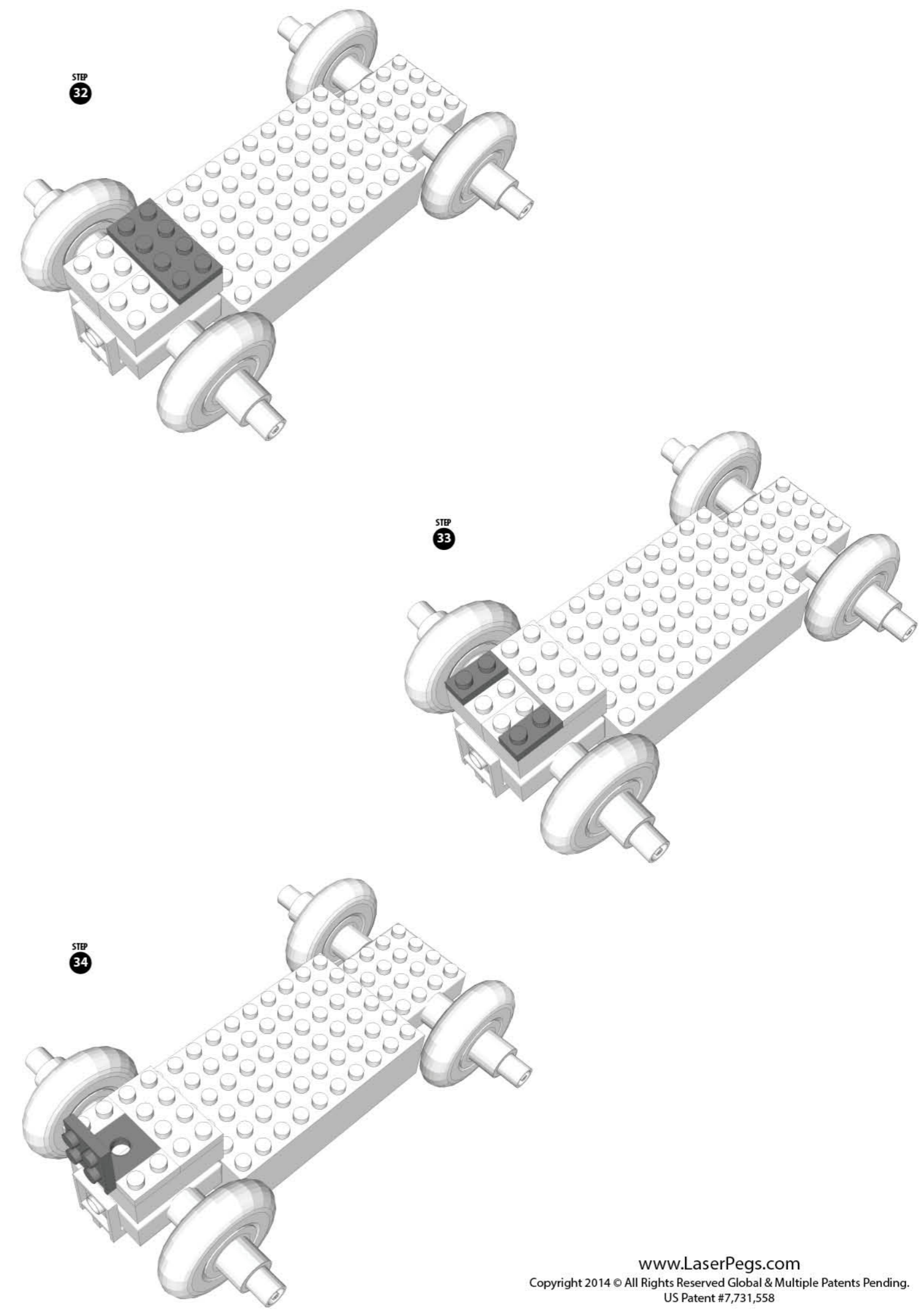
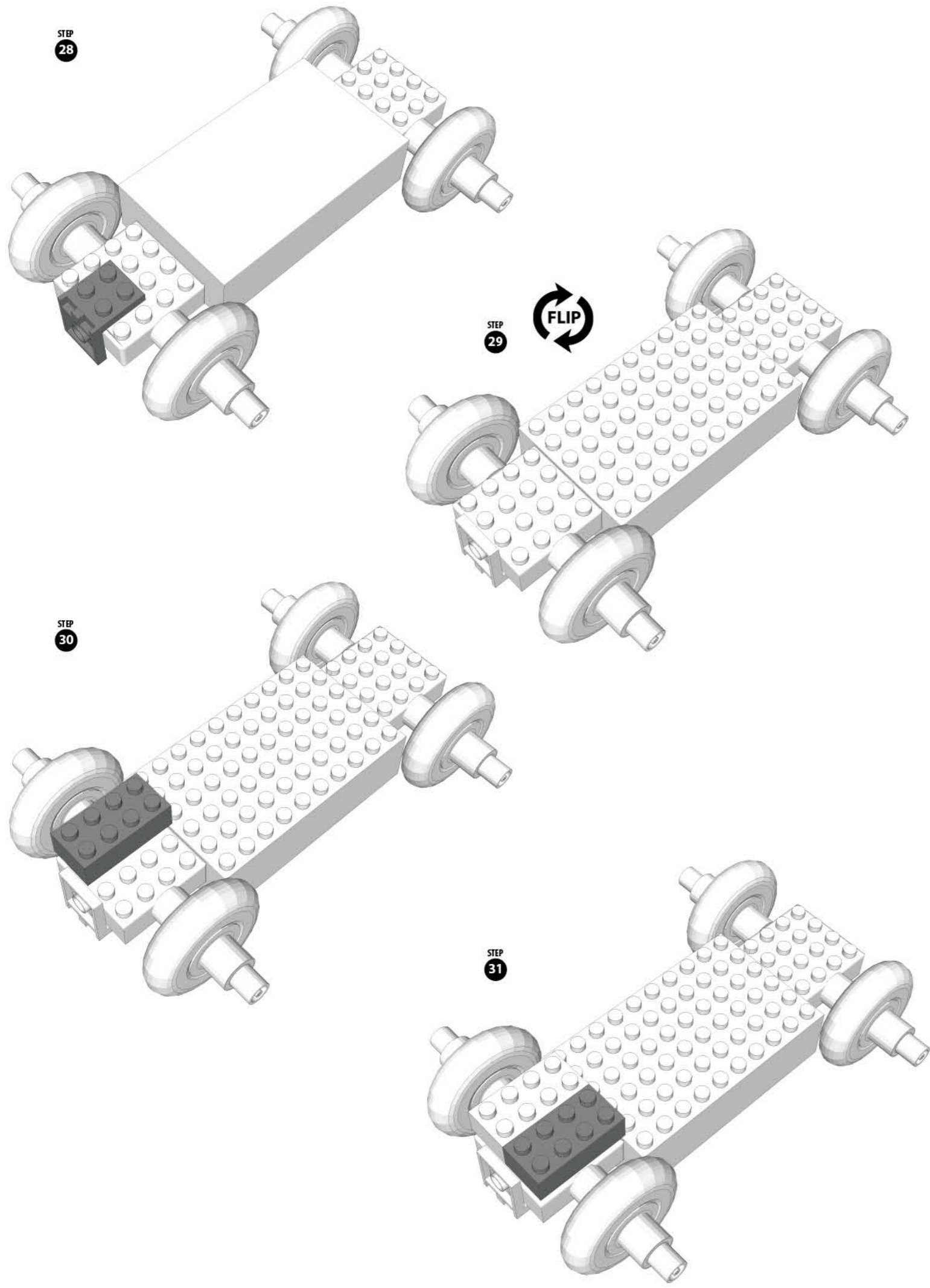


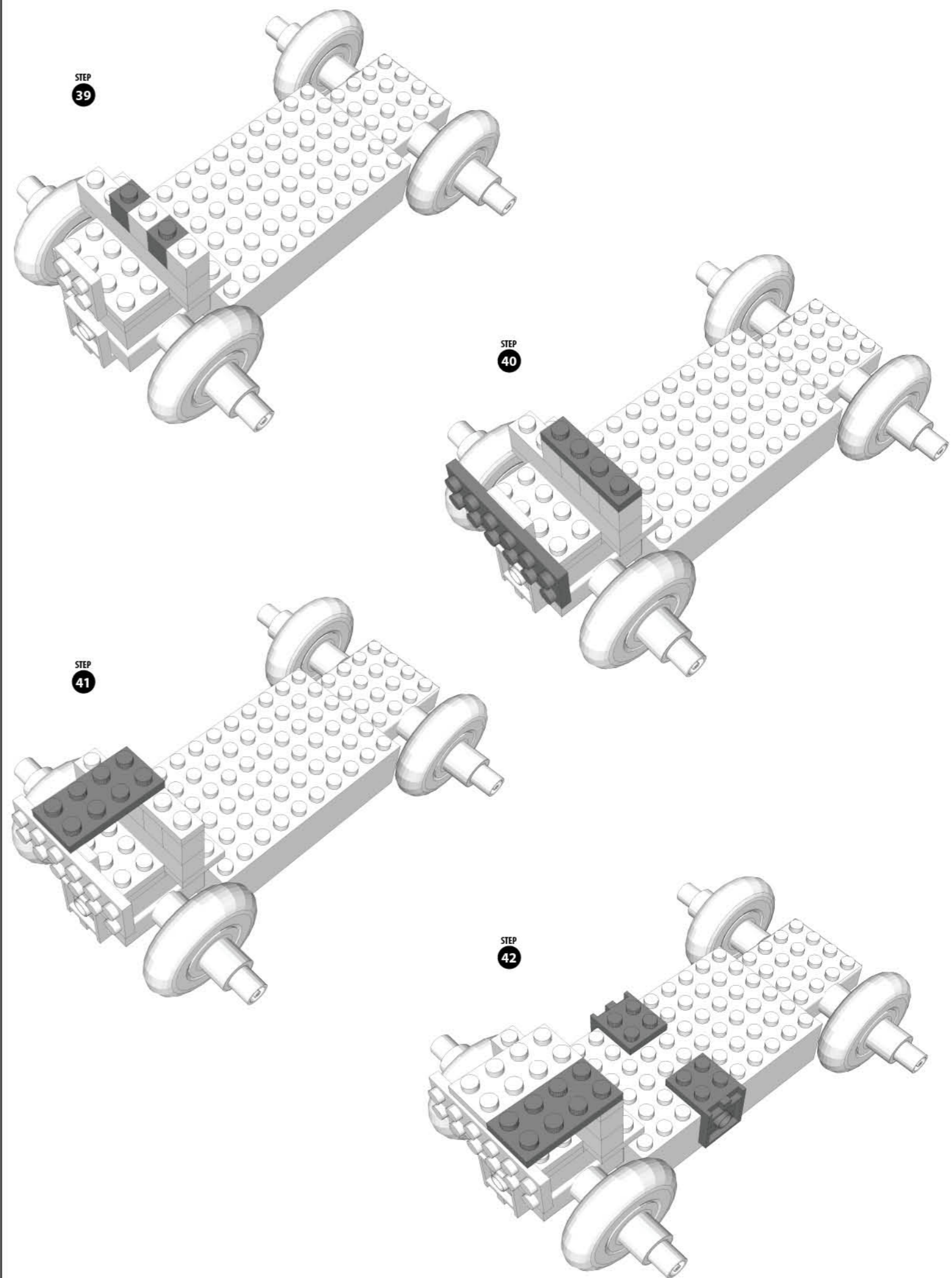
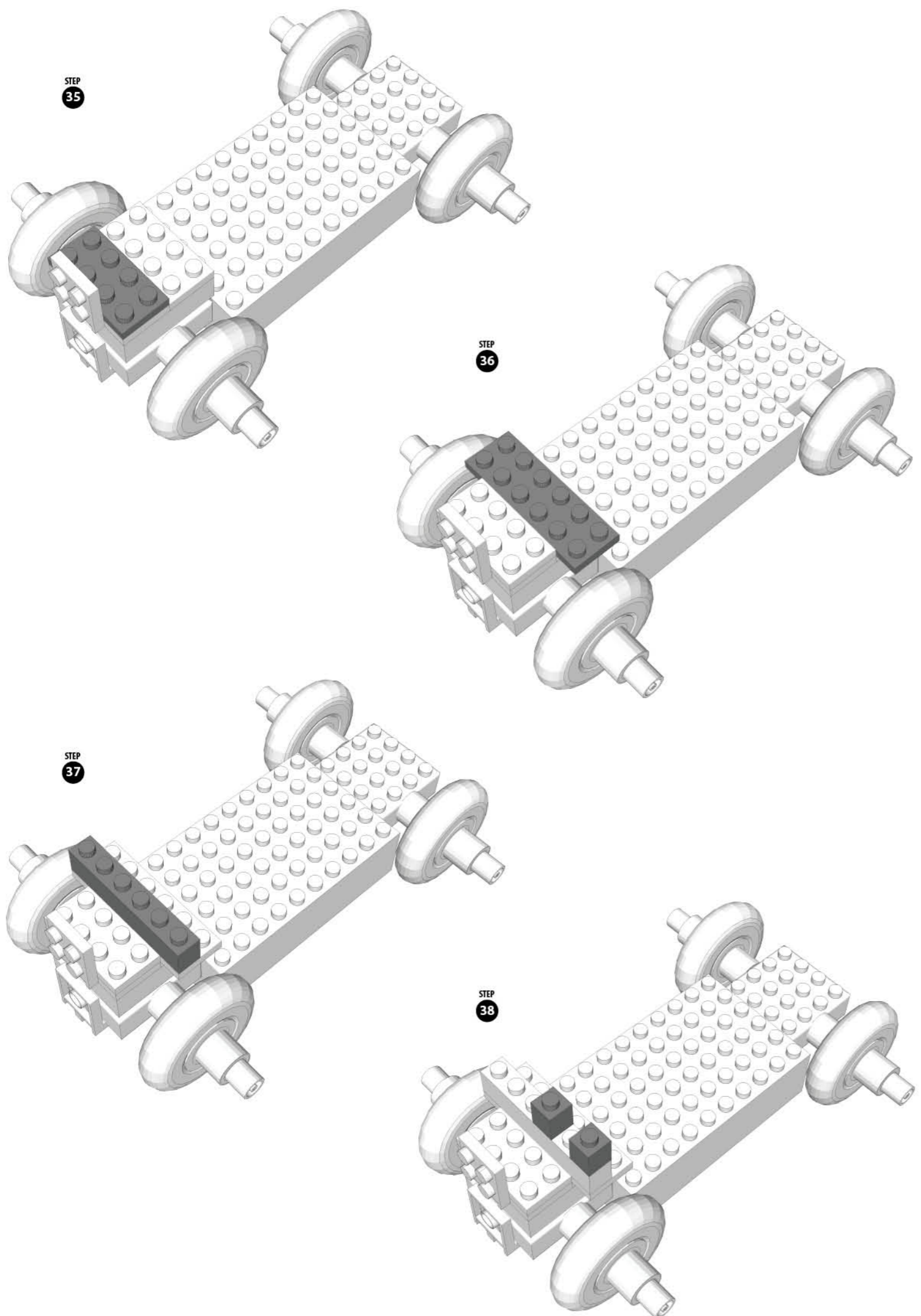
STEP 26

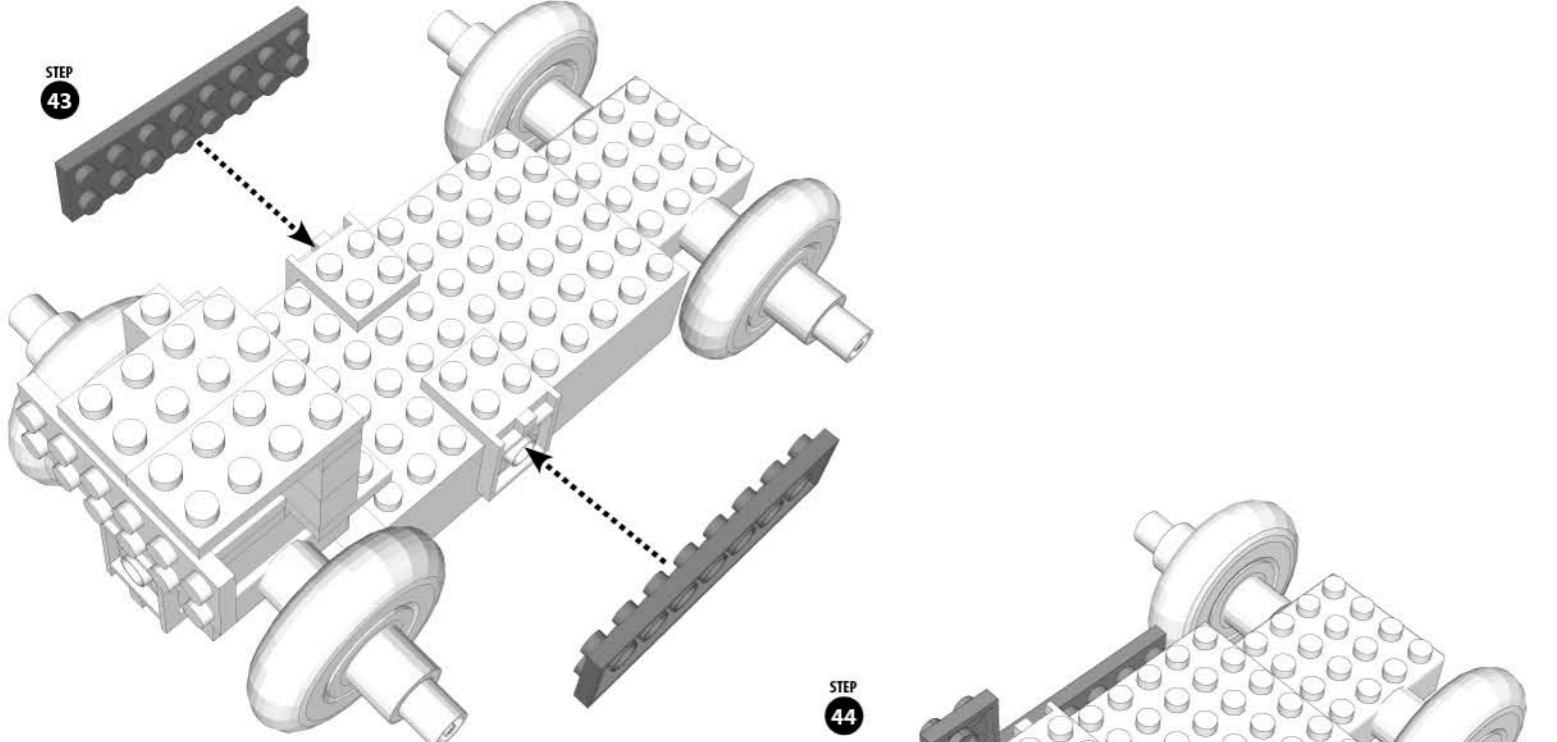


STEP 27

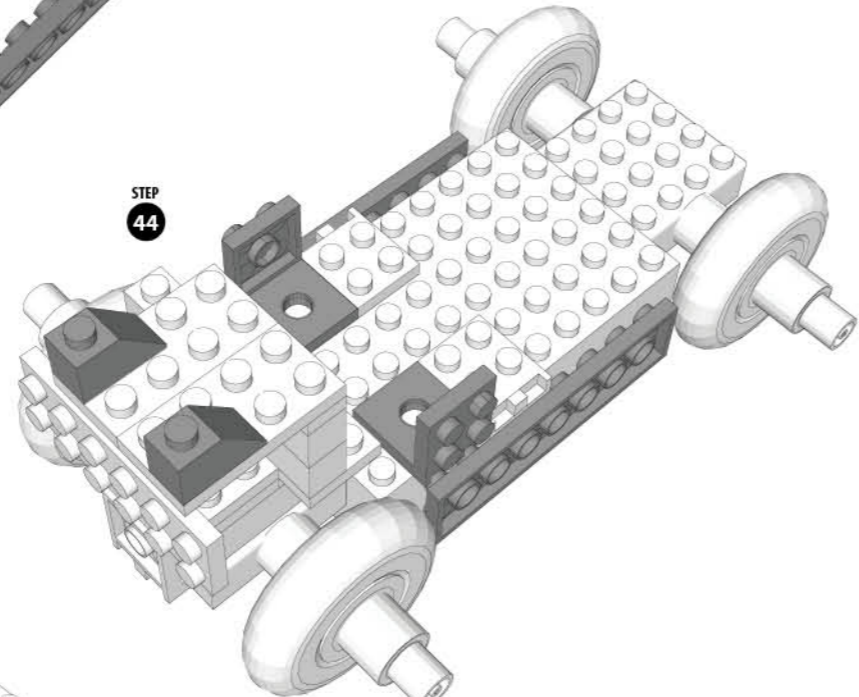




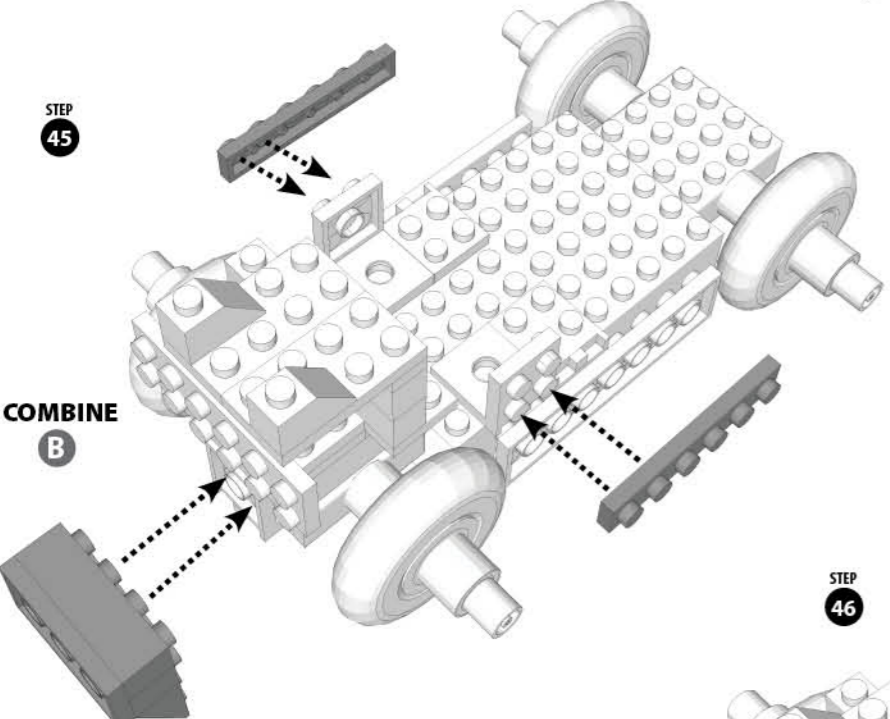




STEP 43

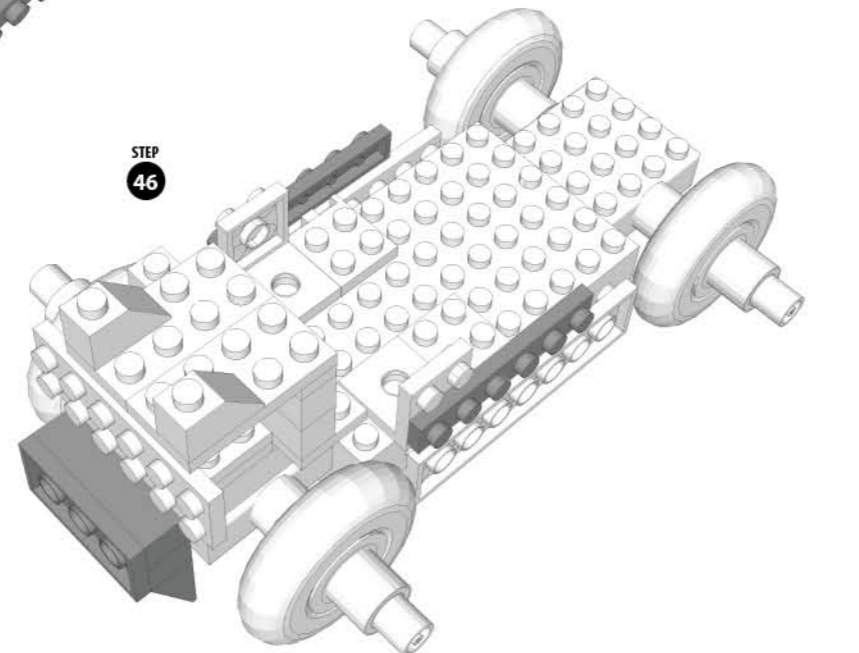


STEP 44

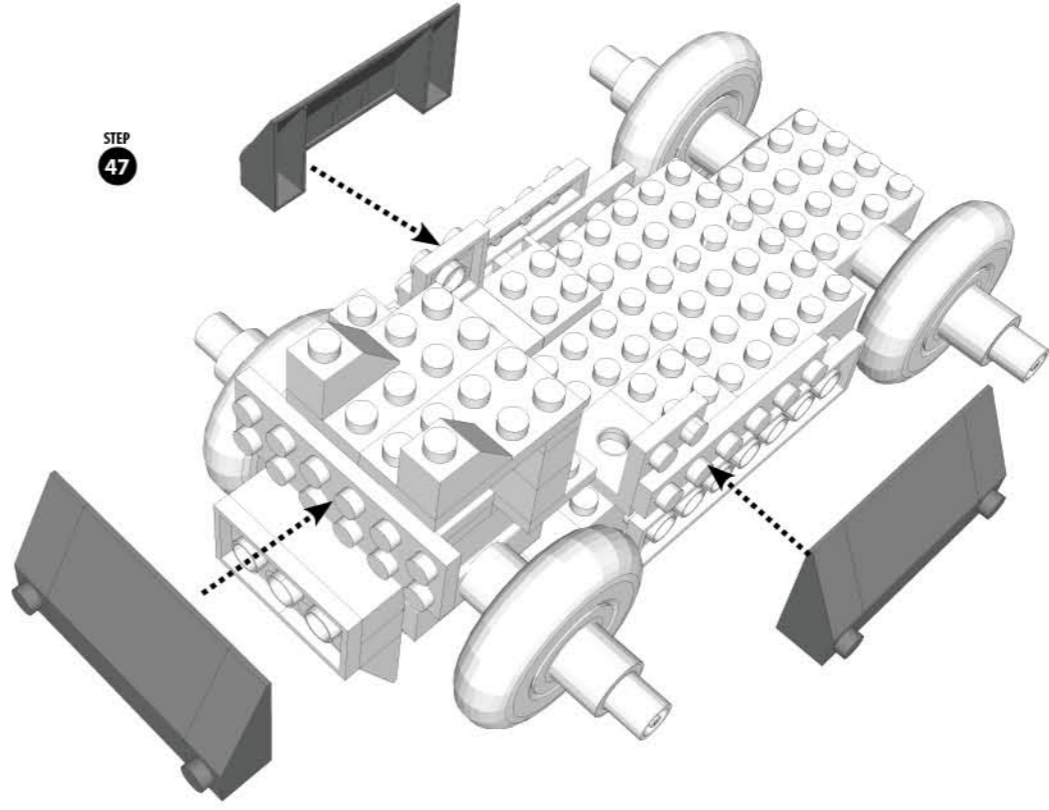


STEP 45

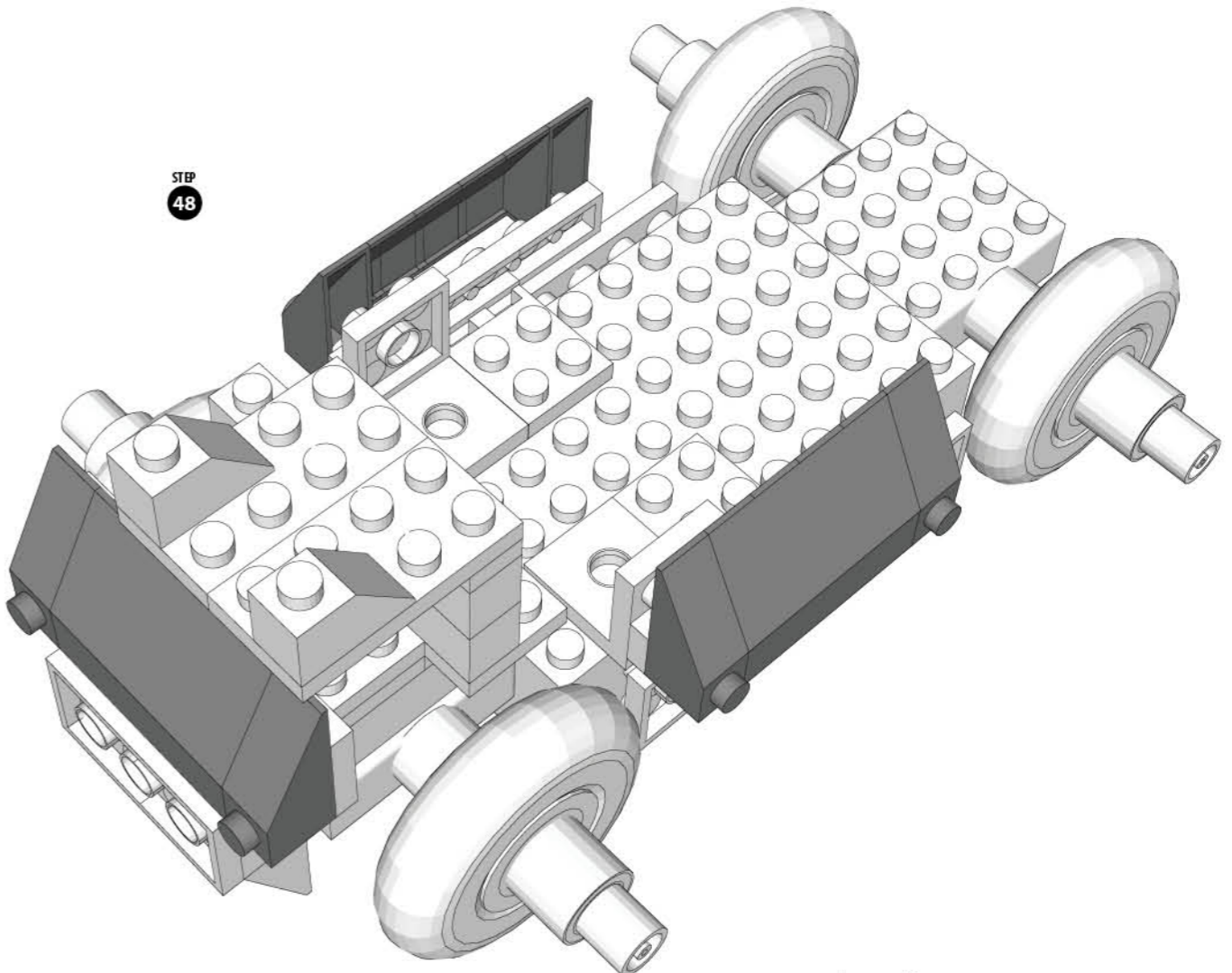
COMBINE B



STEP 46



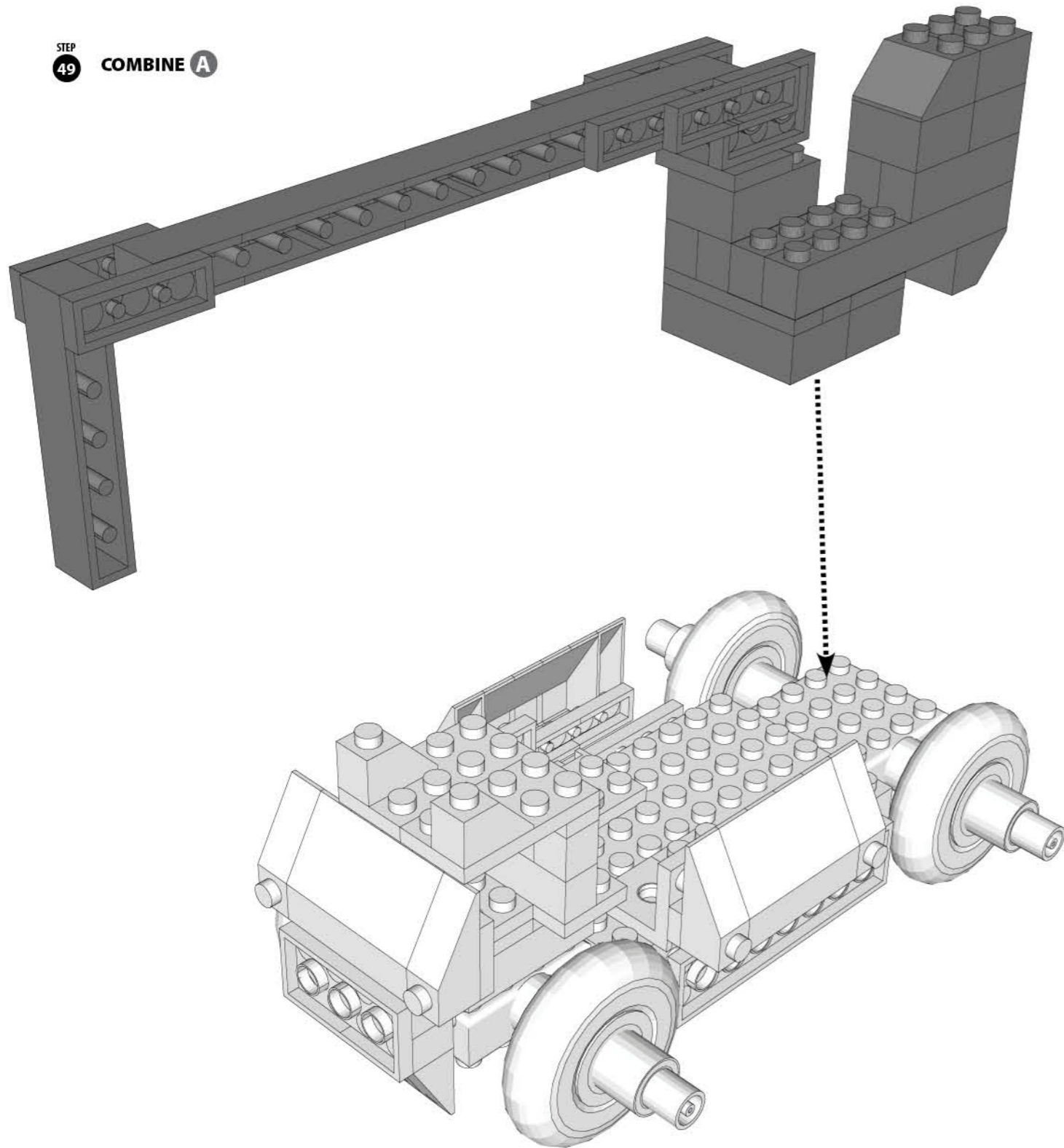
STEP 47



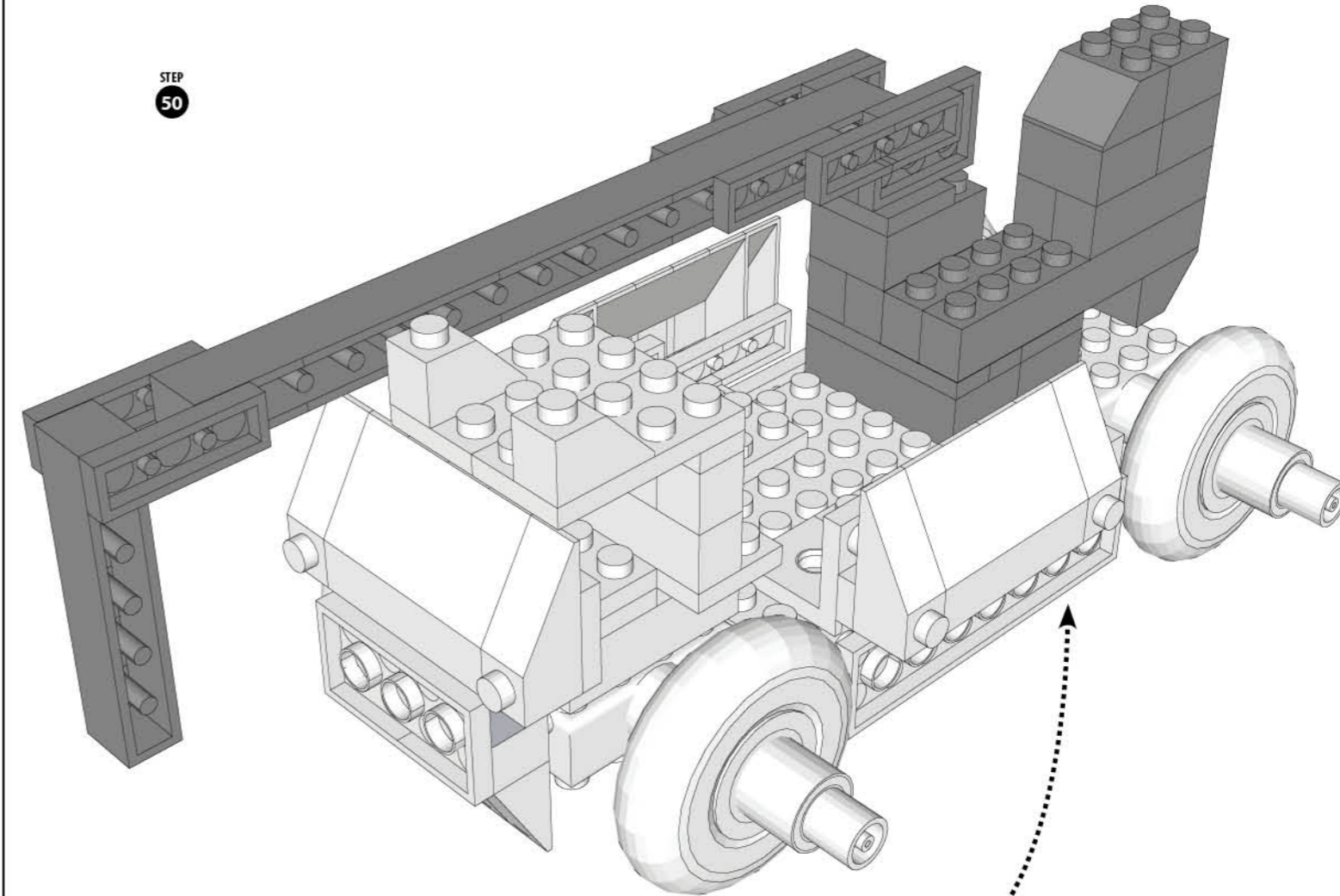
STEP 48

Laser Pegs® CARES
Questions? Comments?
For additional compliance info:
1-866-432-3735
Contact: Support@LaserPegs.com

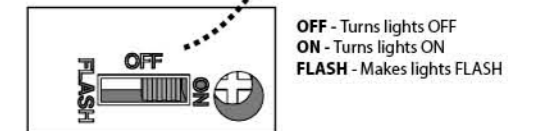
STEP
49 COMBINE A



STEP
50



Slide the switch to Light It Up!



Environmental Phenomena

*The unit may malfunction if subjected to radio-frequency interference. It SHOULD revert to normal operation when the interference stops. If not, it may become necessary to turn the power off and back on, or remove and reinstall the batteries. * In the unlikely event of an electrostatic discharge, the unit may malfunction and lose memory, requiring the user to reset the device by removing and reinstalling the batteries.

MADE IN CHINA

www.LaserPegs.com
Copyright 2014 © All Rights Reserved Global & Multiple Patents Pending.
US Patent #7,731,558

LASER PEGS®

The Ultimate Construction Toy For Kids®

PBI420B

POWER BLOCK
Construction Series

Ages 5+

8 Models+
Any creation you can build

LIGHTED
MOBILE POWER BLOCK™ SET INCLUDES:

- 100 Tinted Bricks
- 4 Tire Pegs
- 2 Square M-M Pegs
- 1 Mobile Power Block™

Requires 3 AAA Batteries

Batteries NOT Included

WARNING: CHOKING HAZARD—Small parts. Not for children under 3 yrs. Do not submerge in water.

DO NOT SUBMERGE IN WATER

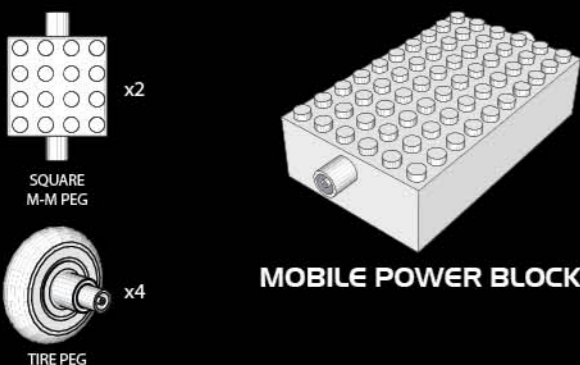
EN71, RoHS COMPLIANT

This product complies to all safety requirements of ASTM F 963

MODEL INSTRUCTIONS

All additional model instructions can be downloaded at www.LaserPegs.com

Laser Pegs® Parts List



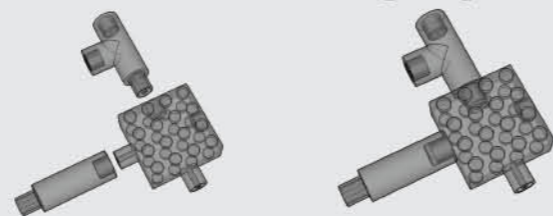
Color Code Each Laser Peg® is color coded on the circuit board inside each shape.



www.LaserPegs.com

This manual is copyright and cannot be reproduced or used online without Laser Pegs® Ventures LLC permission. Copyright 2014 © All Rights Reserved US Patent #7,731,558 Additional Global & Multiple Patents Pending. Laser Pegs® Ventures LLC, 8304 Consumer Ct., Sarasota FL 34240. Contact: Support@LaserPegs.com

Connecting Pegs



To construct with Laser Pegs®, slide two pieces together to form a connection. Slide each piece on and off smoothly.

POWER BLOCK

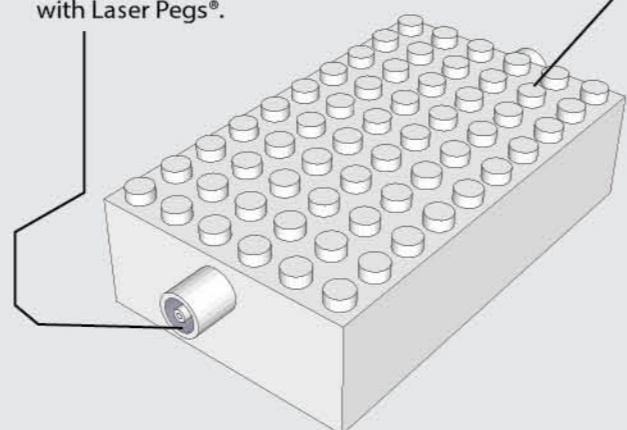
The Power Block is a Power Base that allows you to build with Laser Pegs® and construction parts to build models that light up. It is battery operated. (BATTERIES NOT INCLUDED.)

Laser Pegs® Connections

Allows you to construct with Laser Pegs®.

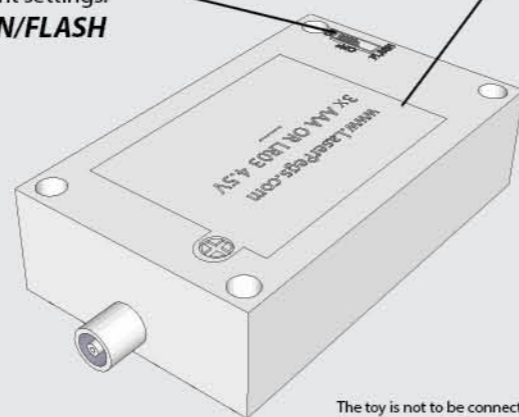
Construction Part Connections

Allows you to connect to other construction kits.



Power Switch

Move the Power Switch to cycle through the Power Block light settings.
OFF/ON/FLASH

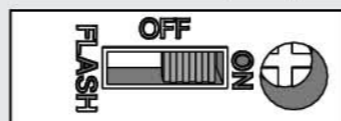


Battery Compartment

Requires 3-AAA Batteries (Batteries Not Included)

LIGHT SETTINGS

OFF - Turns lights OFF
ON - Turns lights ON
FLASH - Makes lights FLASH



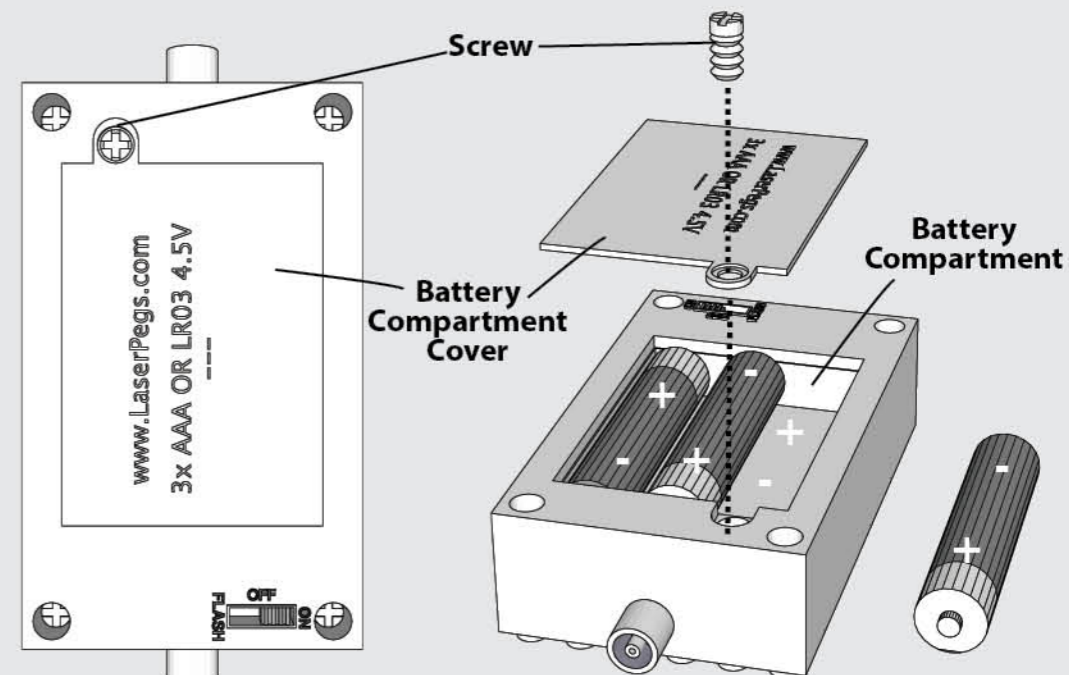
WARNING: STROBE LIGHTS MAY CAUSE SEIZURES

WARNING! Each Laser Peg® draws current from the batteries. Therefore, the more pegs you use, the quicker you will deplete your battery power! As the power weakens, the current will slowly fail and some Laser Pegs® will illuminate (typically the reds and yellows) and some won't. When the Laser Pegs® dim, the Laser Pegs® are not broken, they just need stronger batteries. You have 2 simple options...
1. Change the batteries.
2. Use high quality batteries. They will last a little longer, but they will still deplete rapidly the more Laser Pegs® you connect!

Replacing Batteries

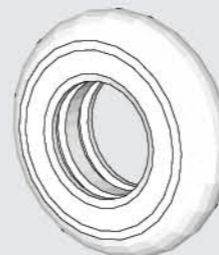
1. Remove Screw.
2. Lift off Battery Compartment Cover.
3. Place three (3) AAA batteries in the correct position - as displayed inside of the Power Block.
4. Replace Battery Compartment Cover and Screw.
5. Slide Power Switch setting to OFF/ON/FLASH.
6. Do not mix old and new batteries.
7. Do not mix alkaline, standard (carbon-zinc), or rechargeable (nickel-cadmium, NiMH) batteries!
8. Exhausted batteries are to be removed from the power base.
9. Never connect more than 30 Laser Pegs® at one time!
10. Non-rechargeable batteries are not to be recharged.
11. Rechargeable batteries are only to be recharged under adult supervision.
12. Rechargeable batteries are to be removed from the toy before being recharged.
13. Batteries are to be inserted with the correct polarity.
14. The supply terminals are not to be short-circuited.
15. DO NOT THROW BATTERIES INTO FIRE!

Remove the Phillips head screw with a 4mm screw driver.
Requires 3-AAA Batteries
Batteries NOT Included

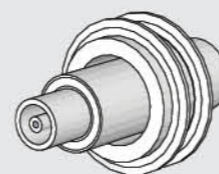


Requires 3-AAA Batteries

Connecting the Laser Pegs® Tire to the Axle Peg

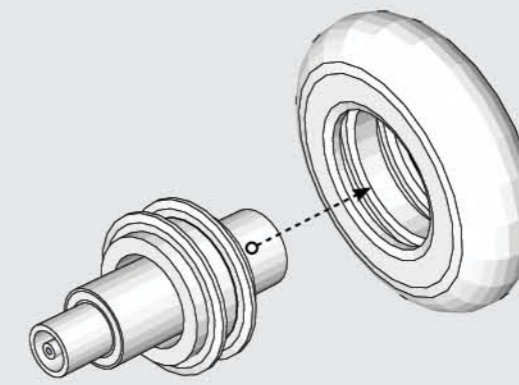


Tire

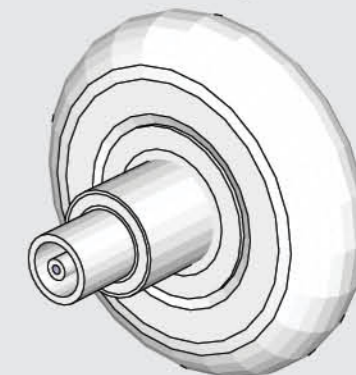


Axle Peg

Place Axle Peg through the Tire



Tire Peg

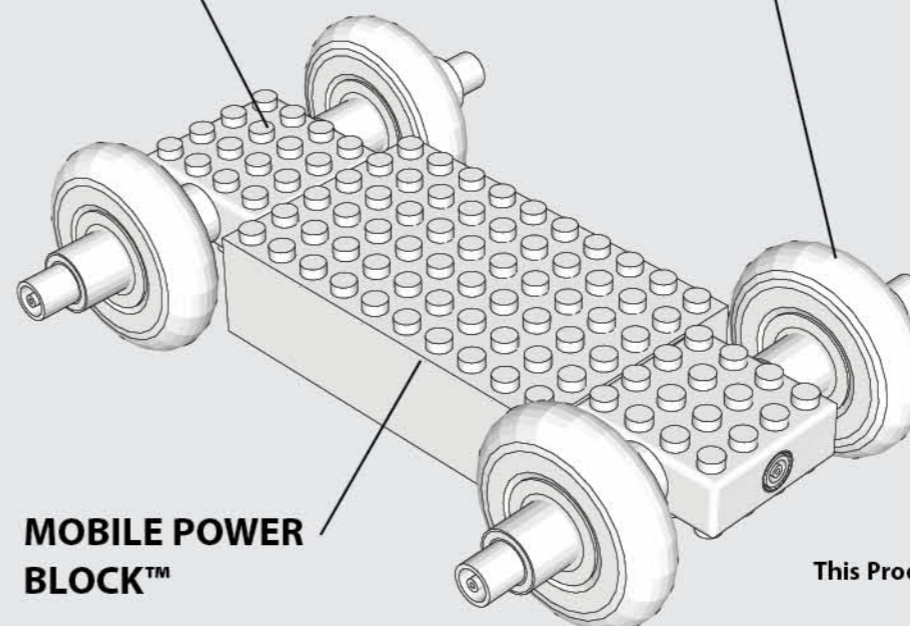


POWER BLOCK™

Use the Laser Pegs® Square M-M Peg to attach the Tire Pegs to the Power Block™.

Laser Pegs® Square M-M Peg

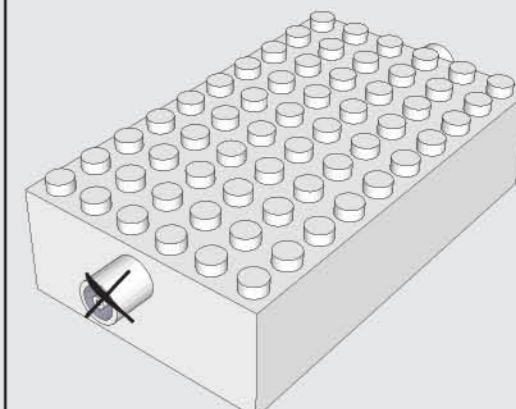
Tire Peg



MOBILE POWER BLOCK™

AVOID DAMAGE TO PEG HOLES

*To avoid short-circuits, keep metal objects and other unauthorized materials from obstructing the peg holes.



Never connect more than 30 Laser Pegs® to the Power Block at one time.

This Product contains a button battery. If swallowed, it could cause severe injury or death in just 2 hours. Seek medical attention immediately.

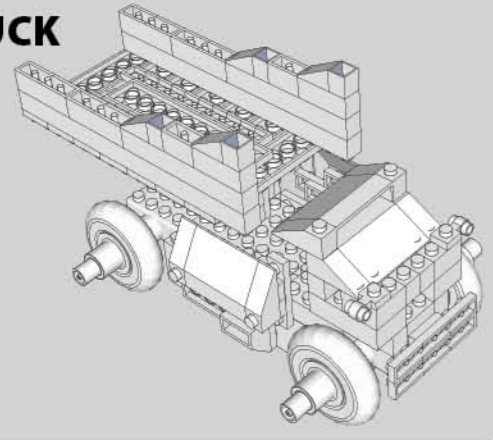
DUMP TRUCK: Thought to have been first conceived in the farms of late 19th century western Europe, the first motorized dumping vehicles were developed as early as 1905.



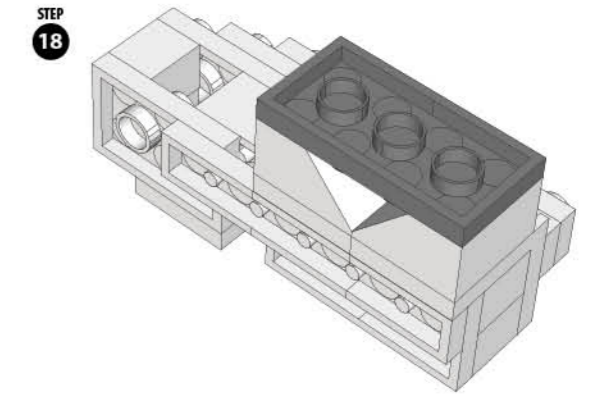
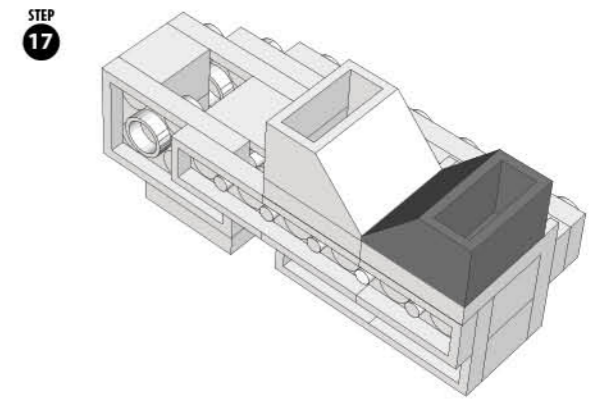
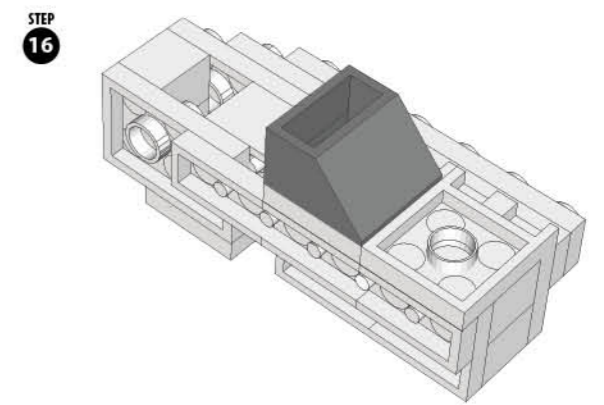
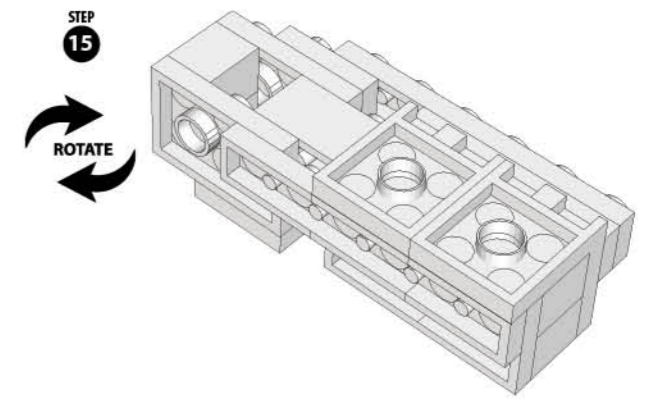
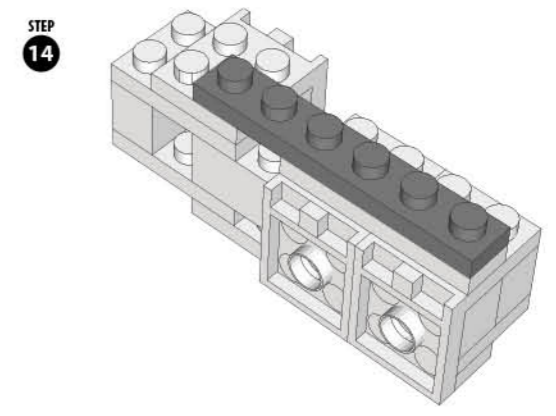
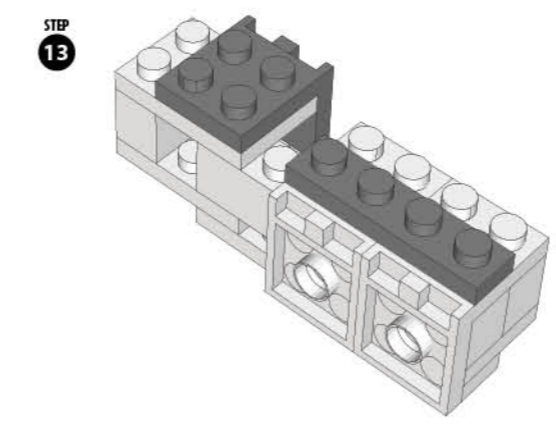
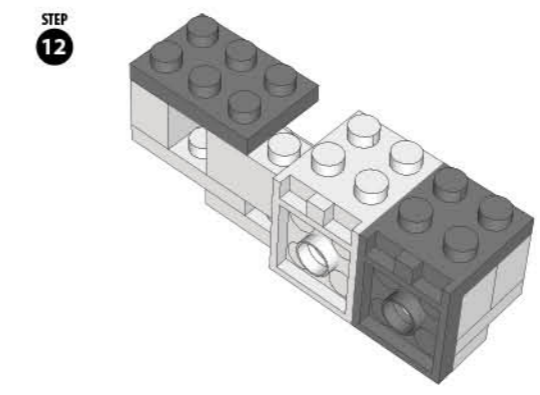
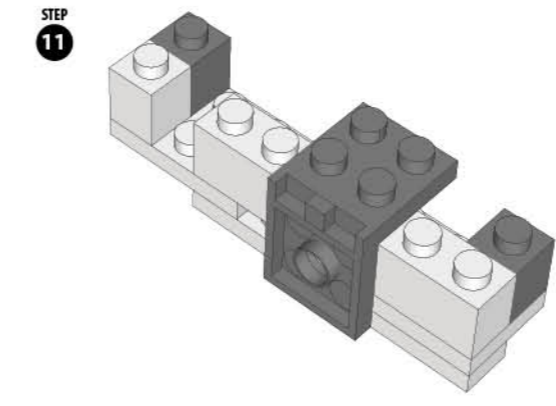
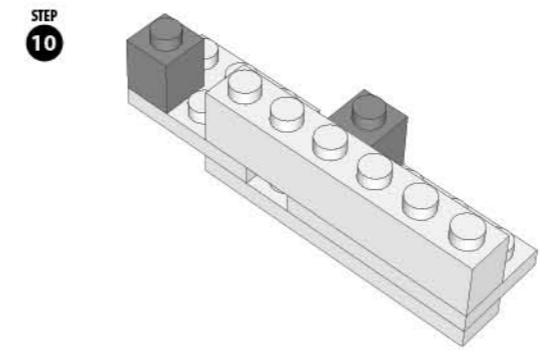
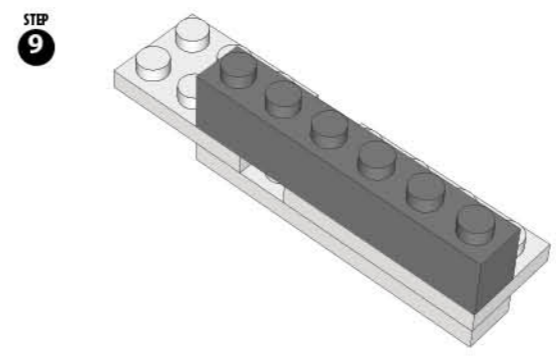
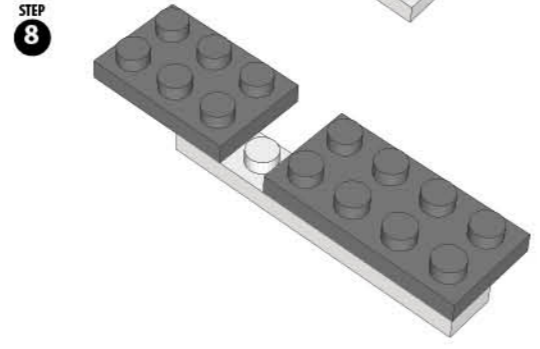
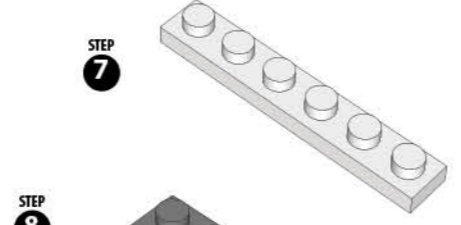
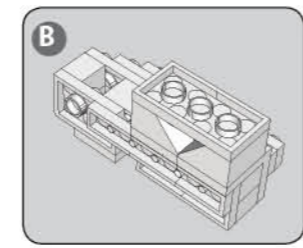
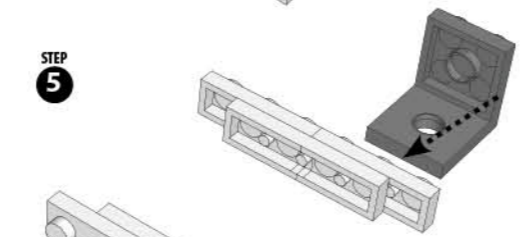
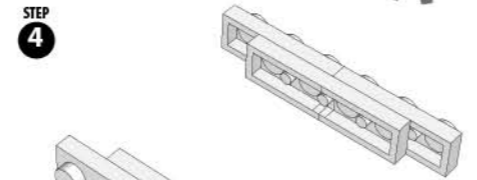
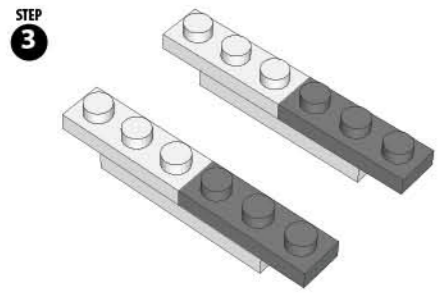
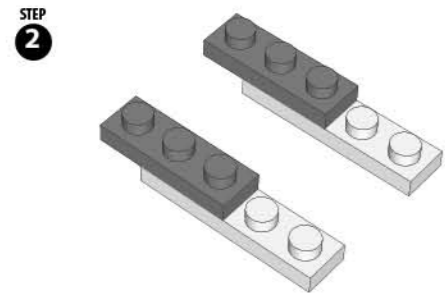
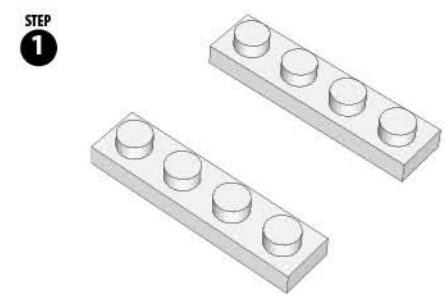
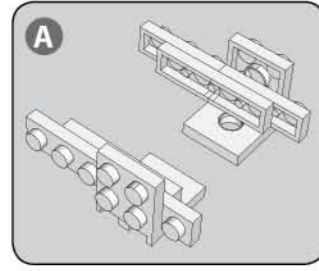
DUMP TRUCK

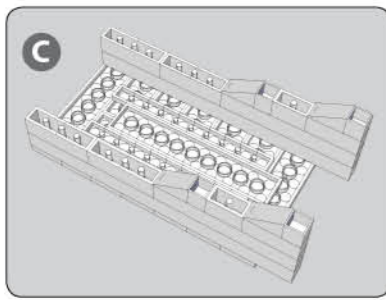
Model Difficulty Level

4

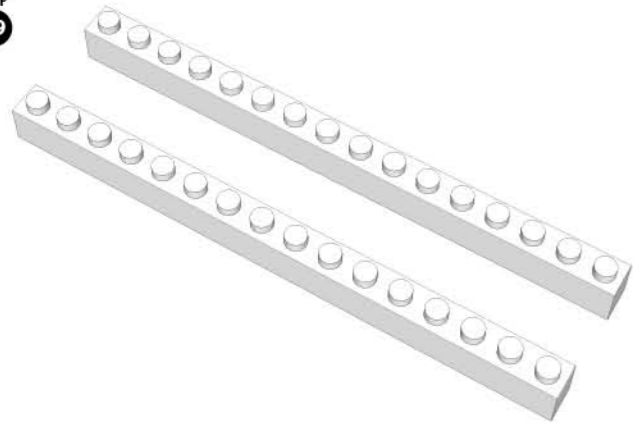


The TRY-ME mechanism is for display purposes ONLY and should be discarded as per state and local regulations. It is NOT intended to be used for the building of this model.

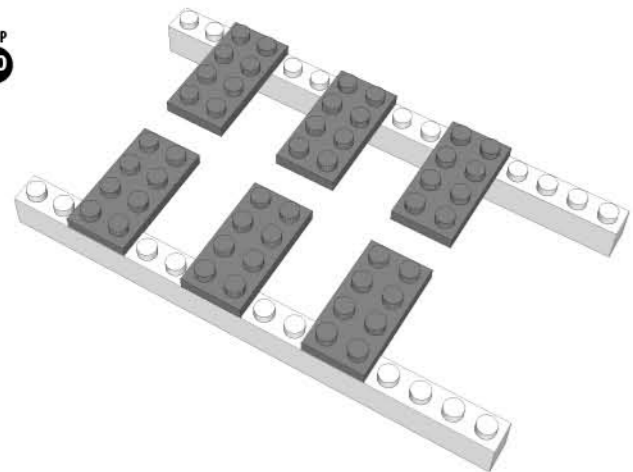




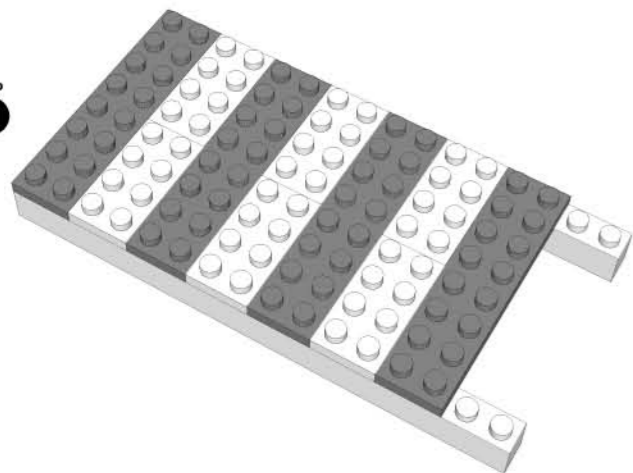
STEP 19



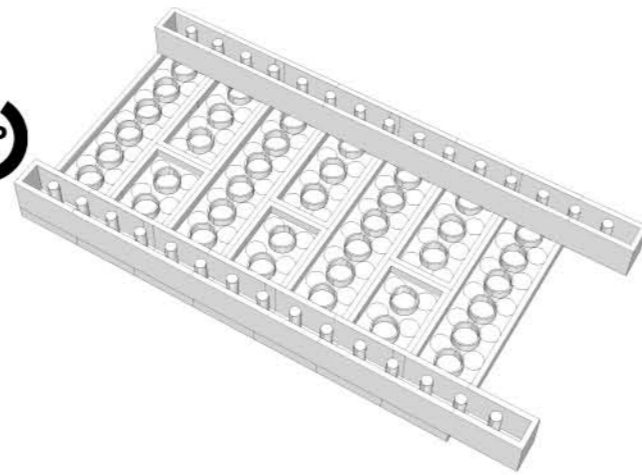
STEP 20



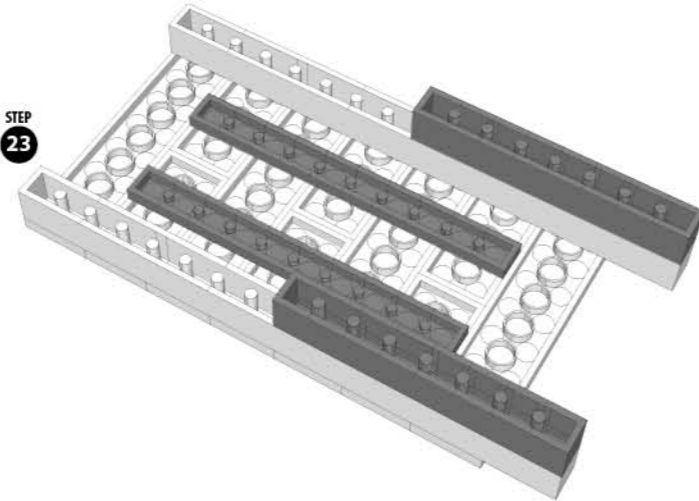
STEP 21



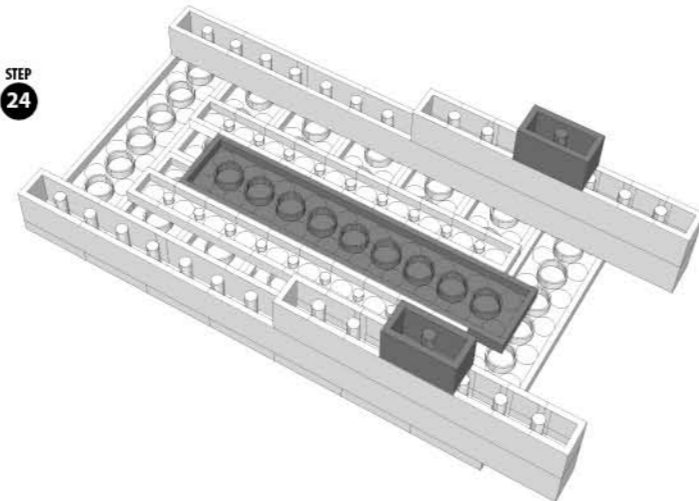
STEP 22
FLIP



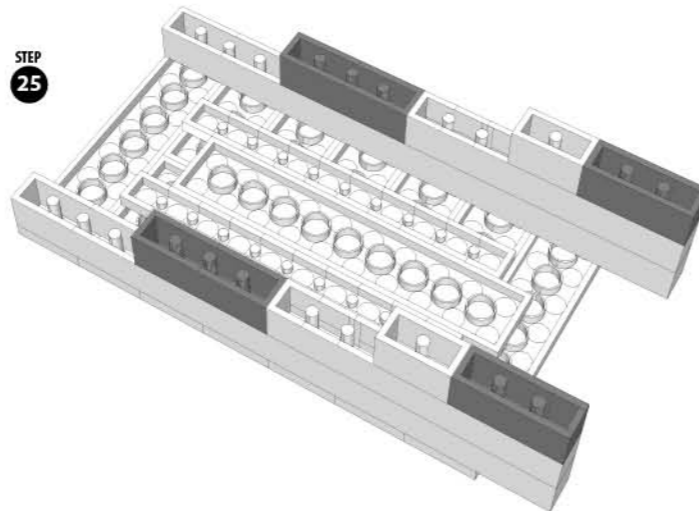
STEP 23



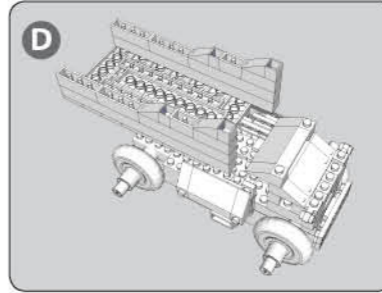
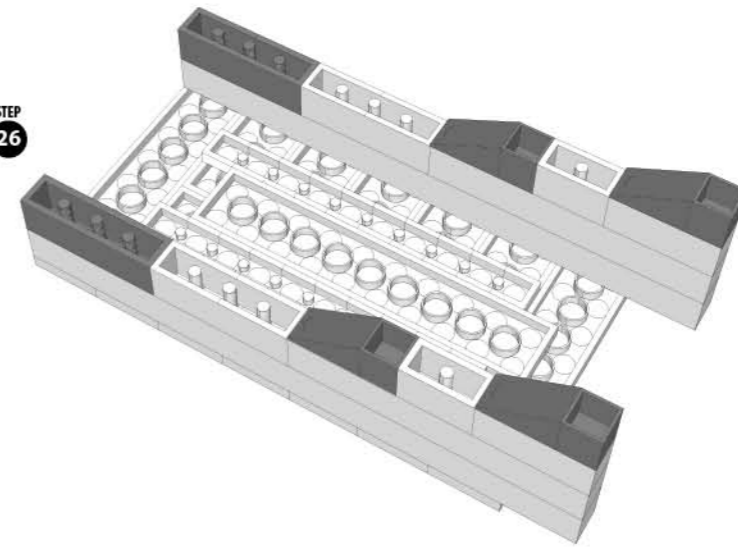
STEP 24



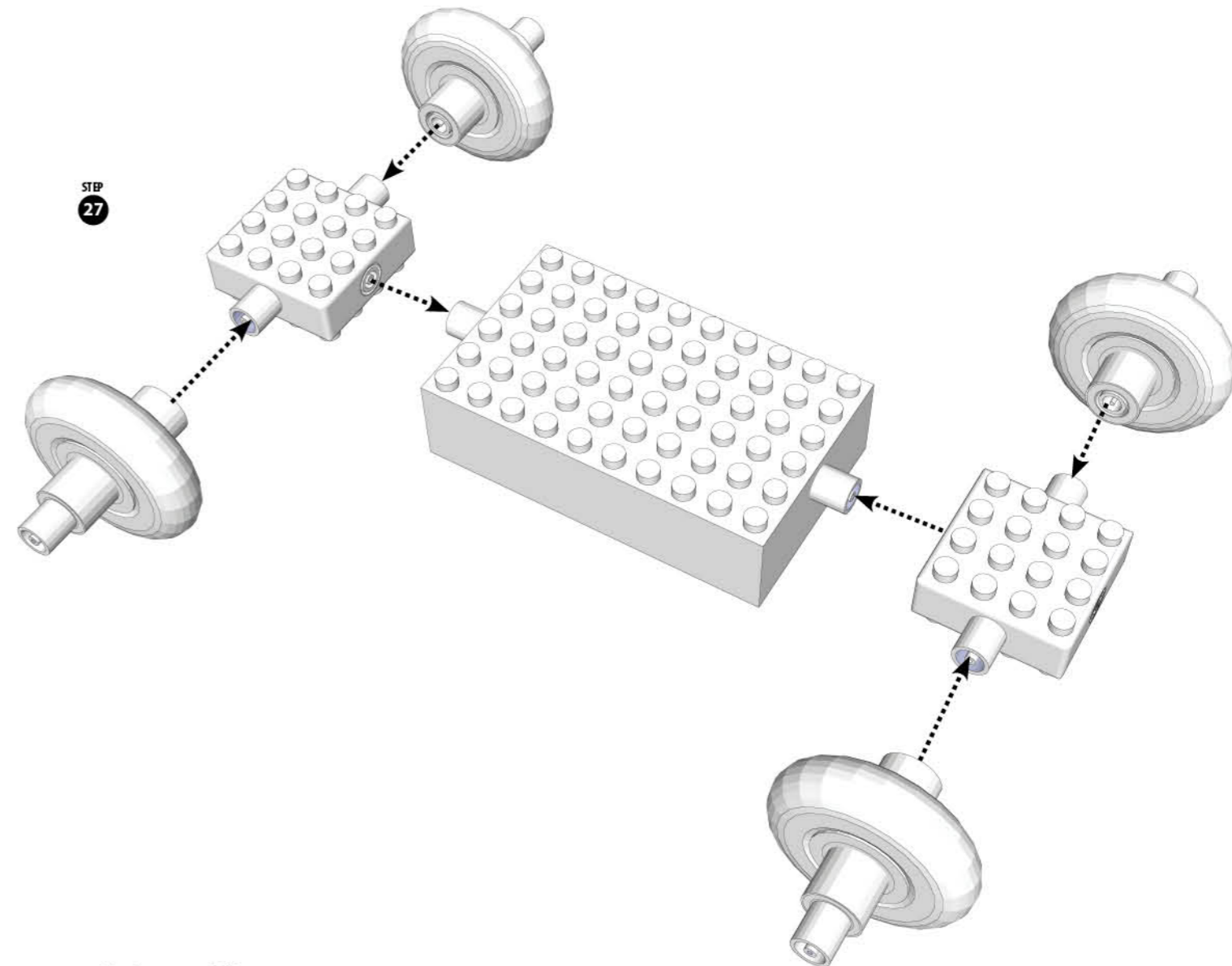
STEP 25



STEP 26



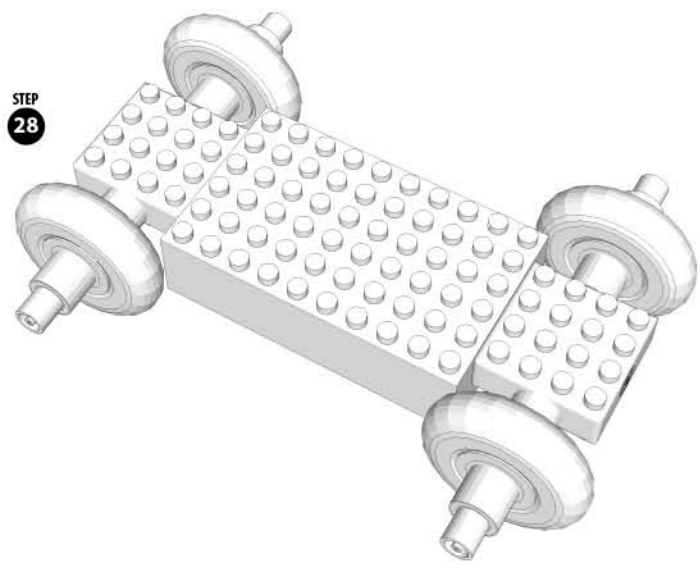
STEP 27



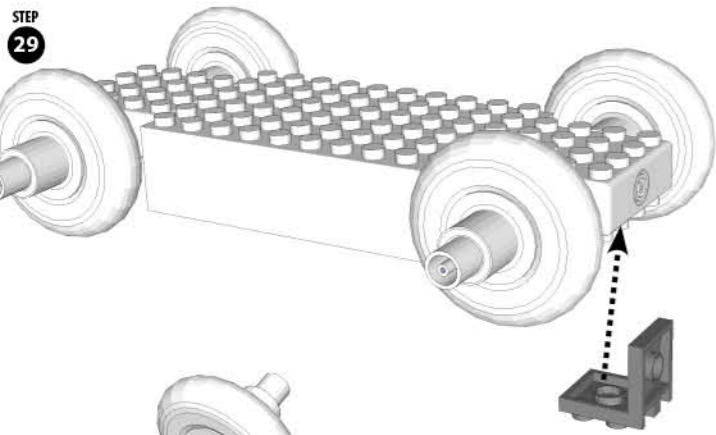
Environmental Phenomena

* The unit may malfunction if subjected to radio-frequency interference. It SHOULD revert to normal operation when the interference stops. If not, it may become necessary to turn the power off and back on, or remove and reinstall the batteries. * In the unlikely event of an electrostatic discharge, the unit may malfunction and lose memory, requiring the user to reset the device by removing and reinstalling the batteries.

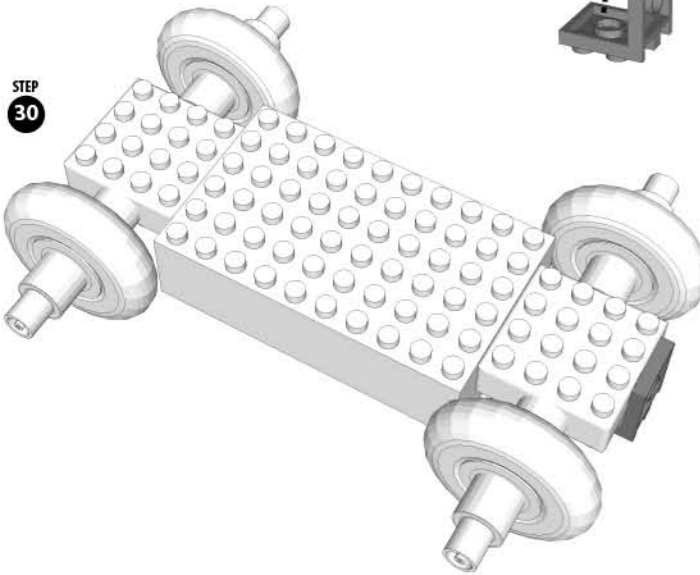
STEP 28



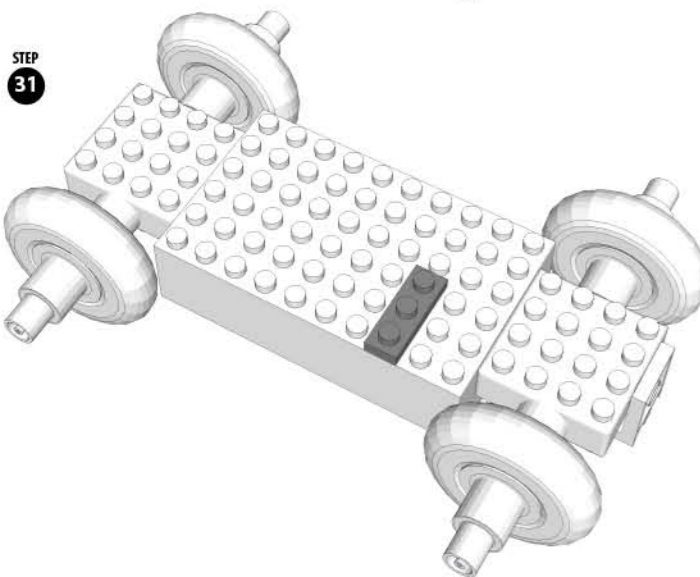
STEP 29



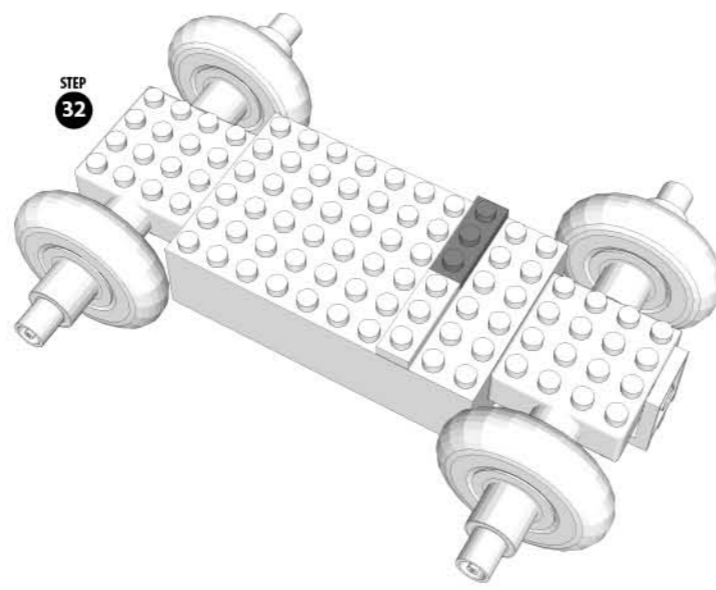
STEP 30



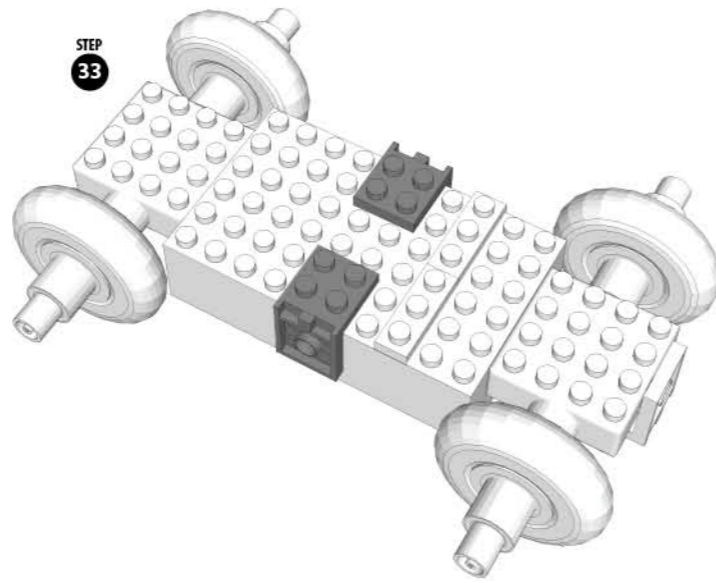
STEP 31



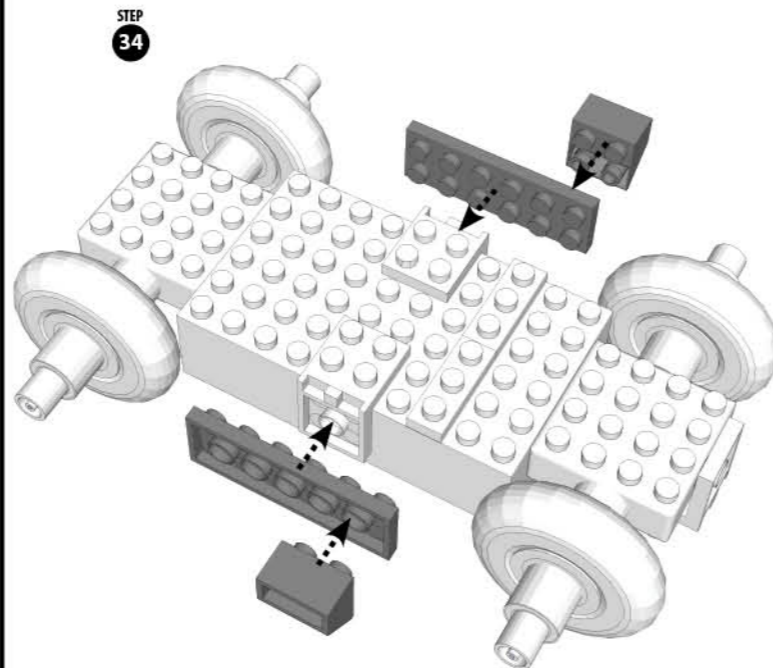
STEP 32



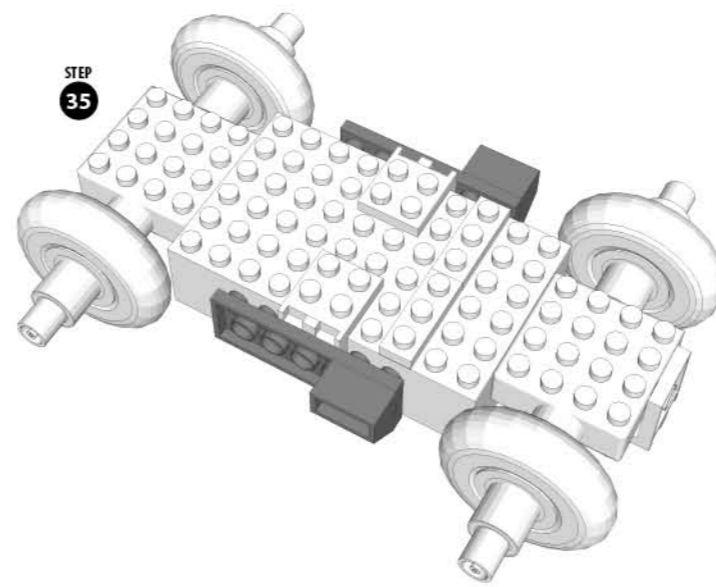
STEP 33



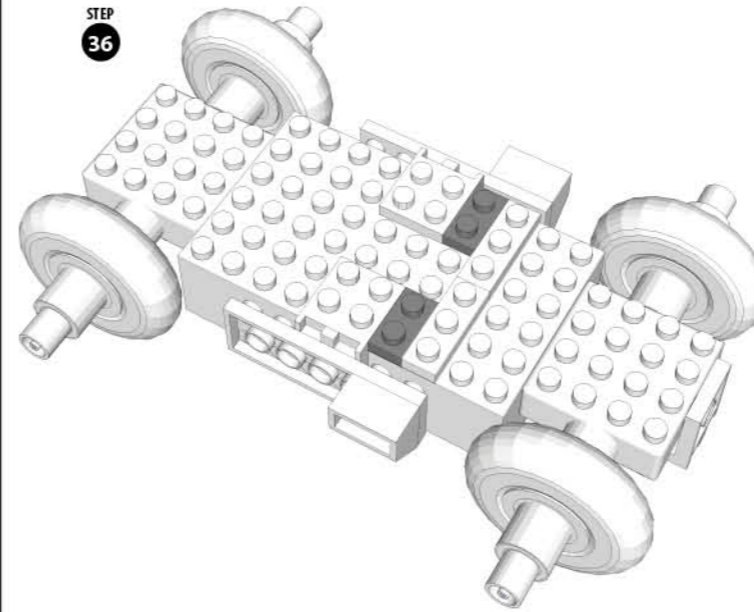
STEP 34



STEP 35

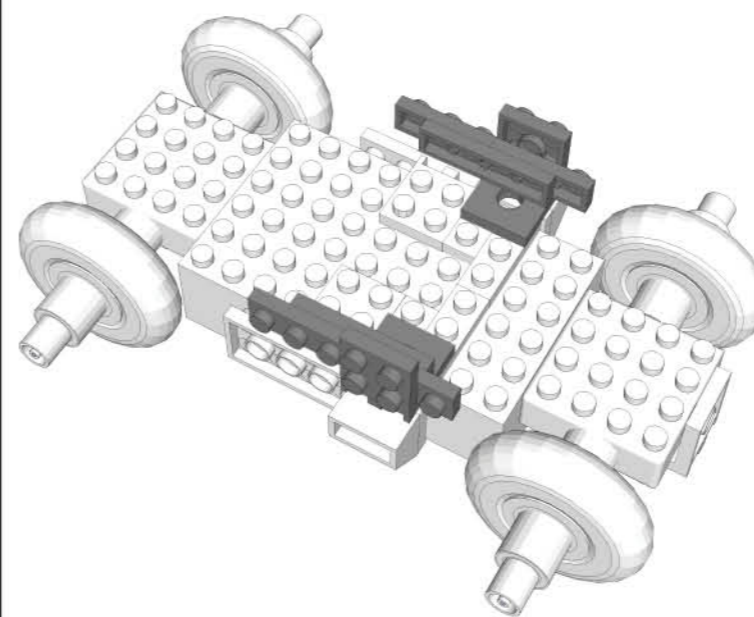


STEP 36

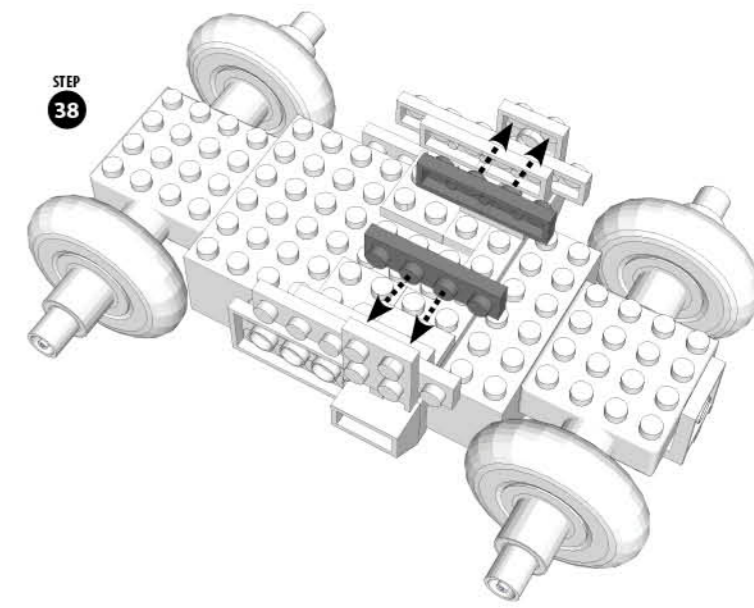


STEP 37

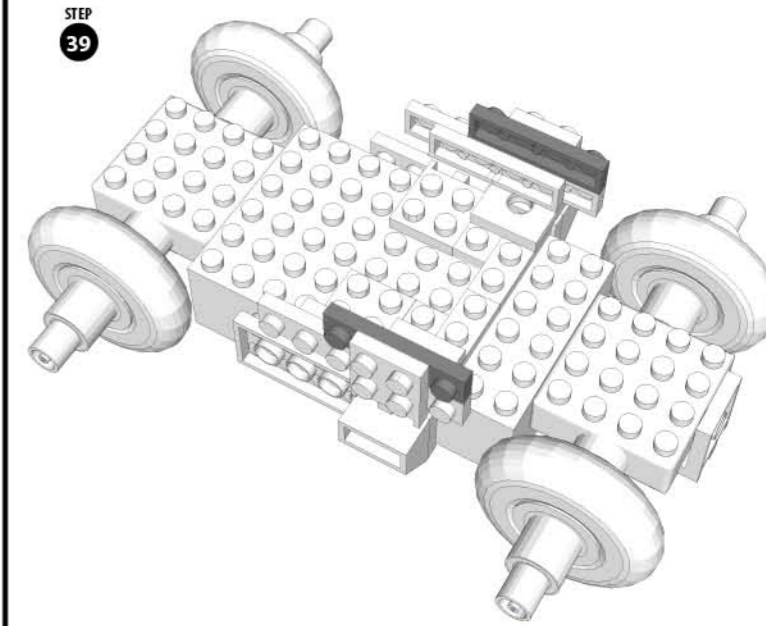
COMBINE A



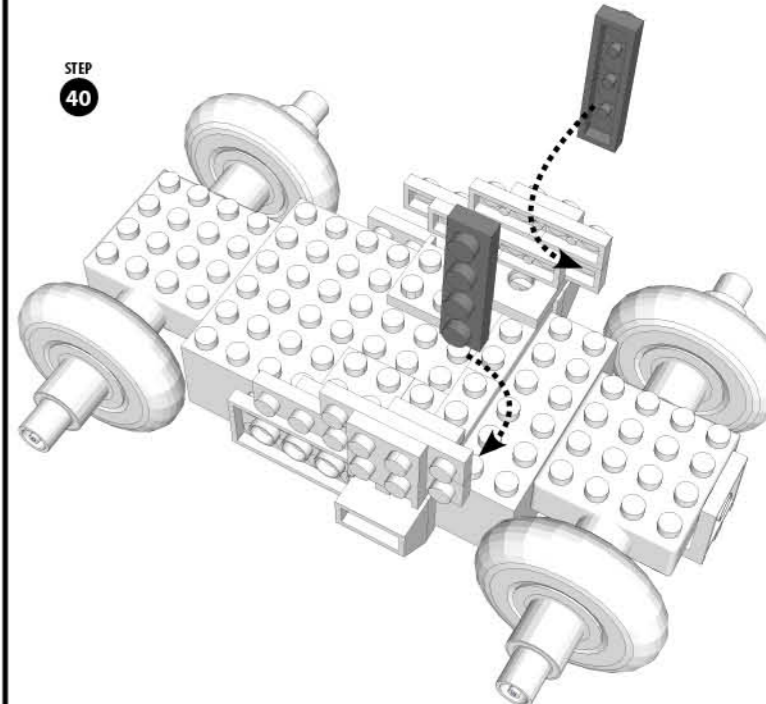
STEP 38



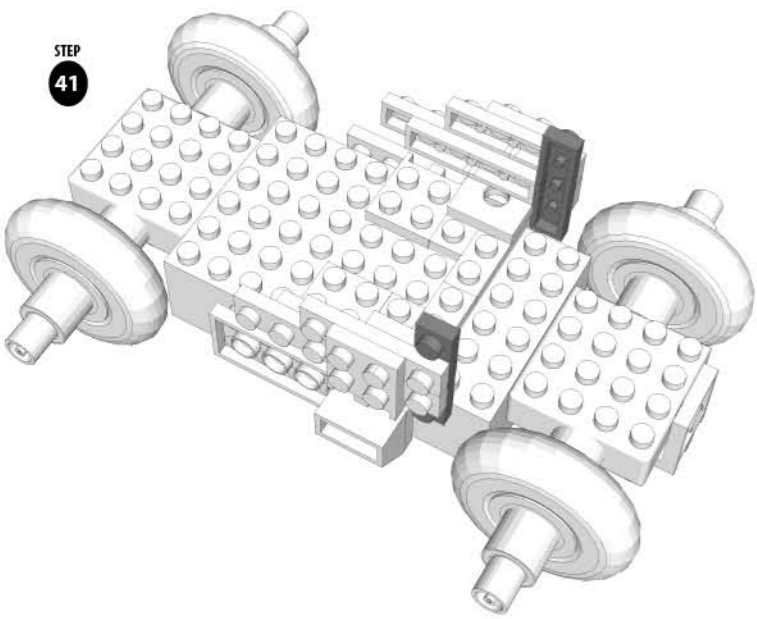
STEP 39



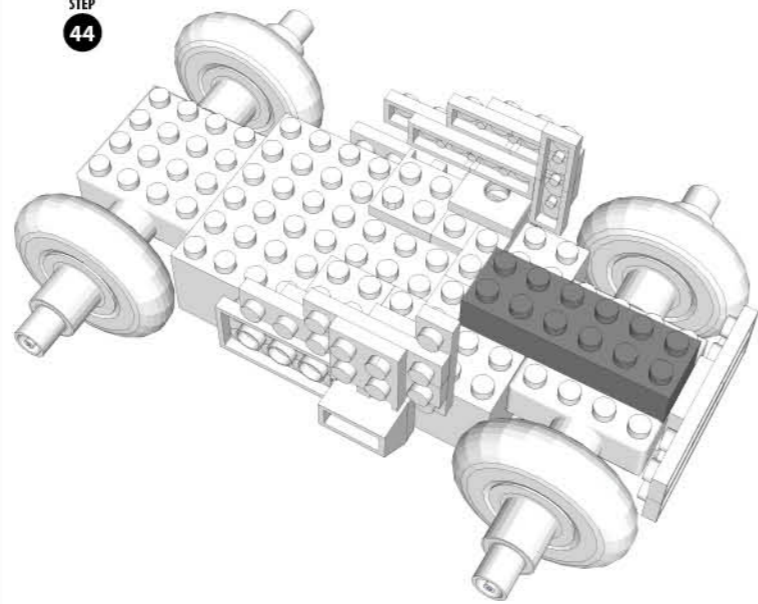
STEP 40



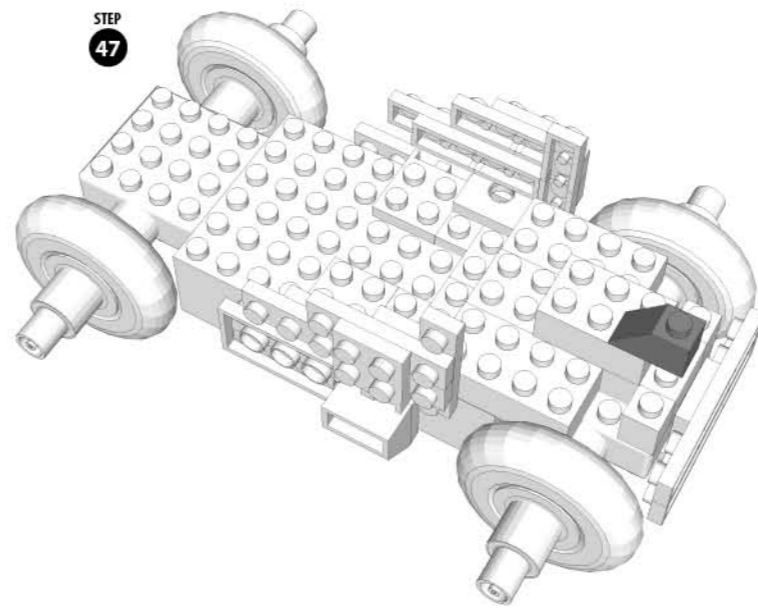
STEP
41



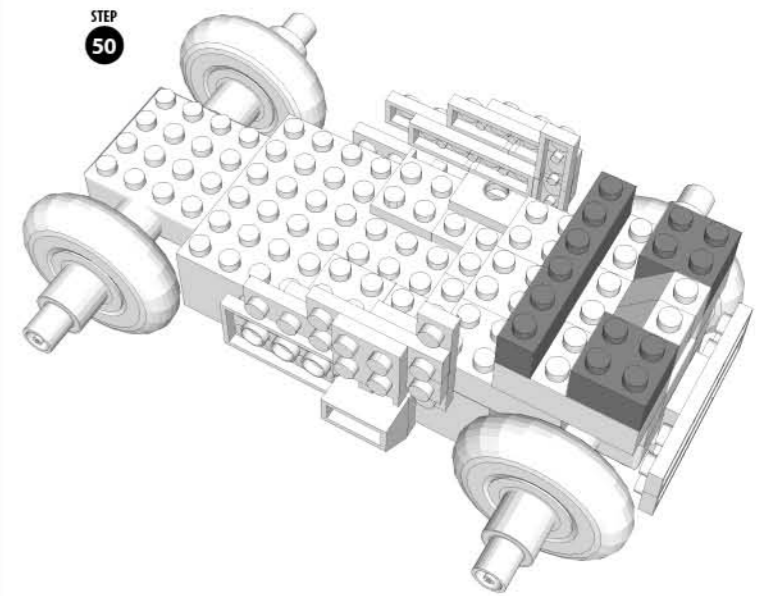
STEP
44



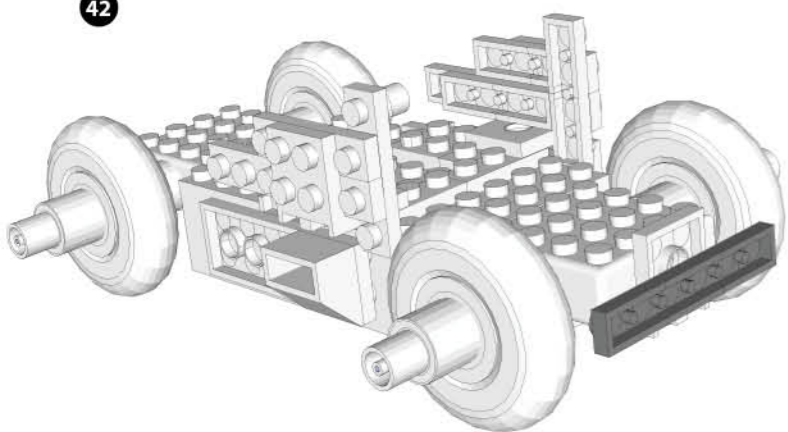
STEP
47



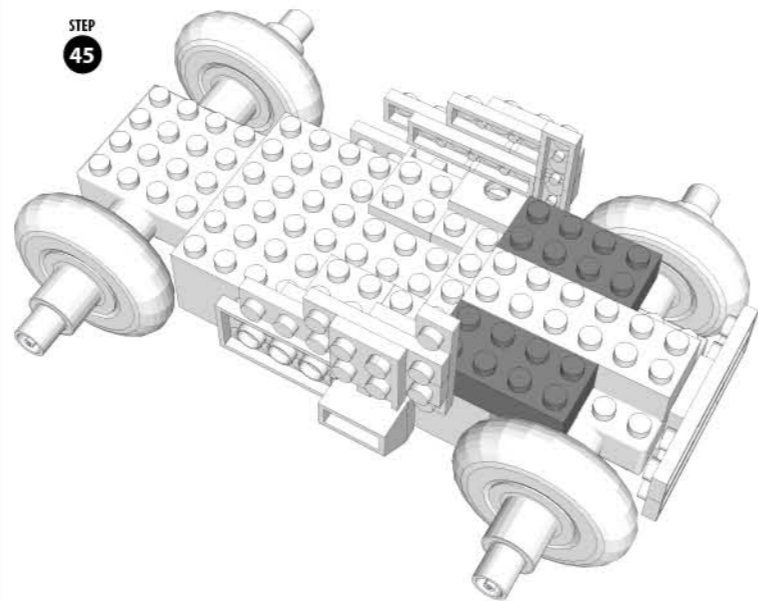
STEP
50



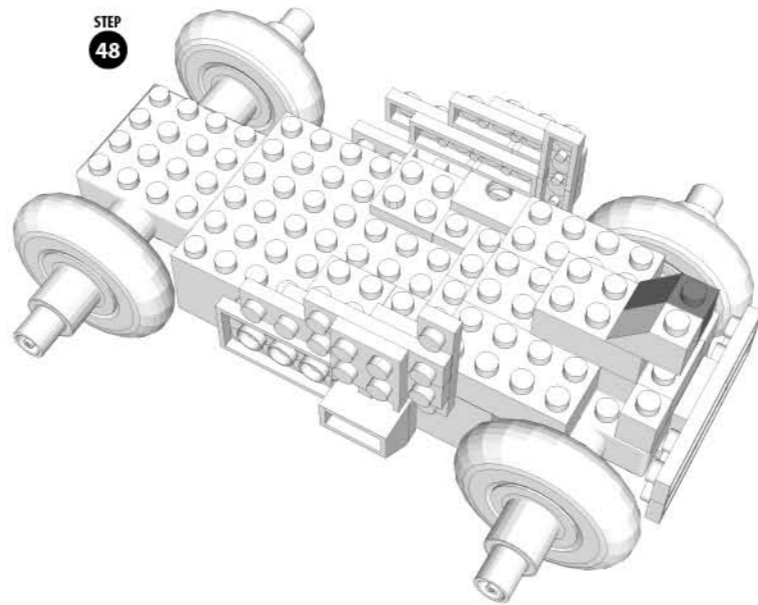
STEP
42



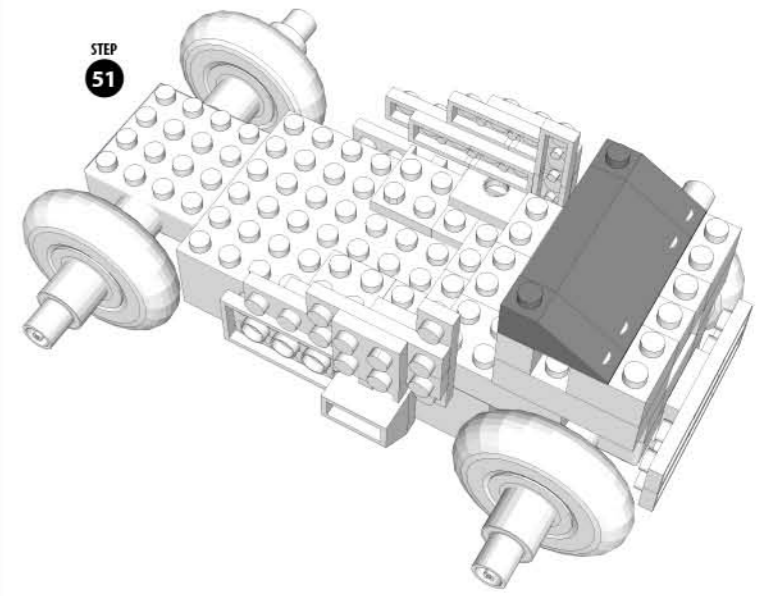
STEP
45



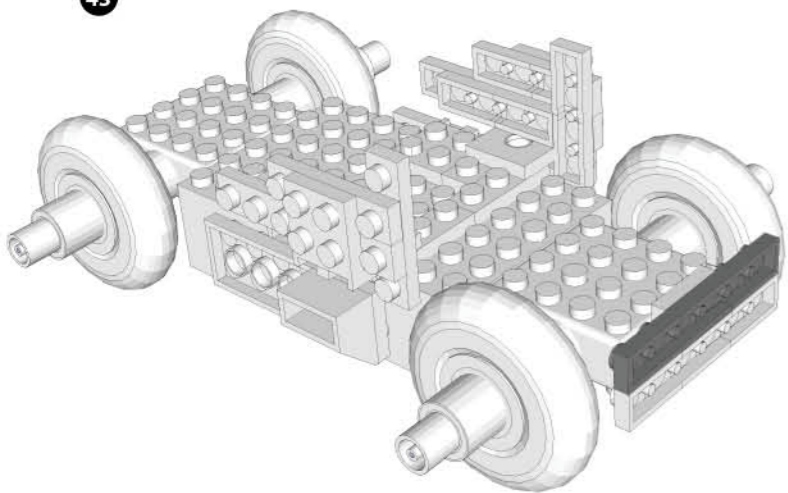
STEP
48



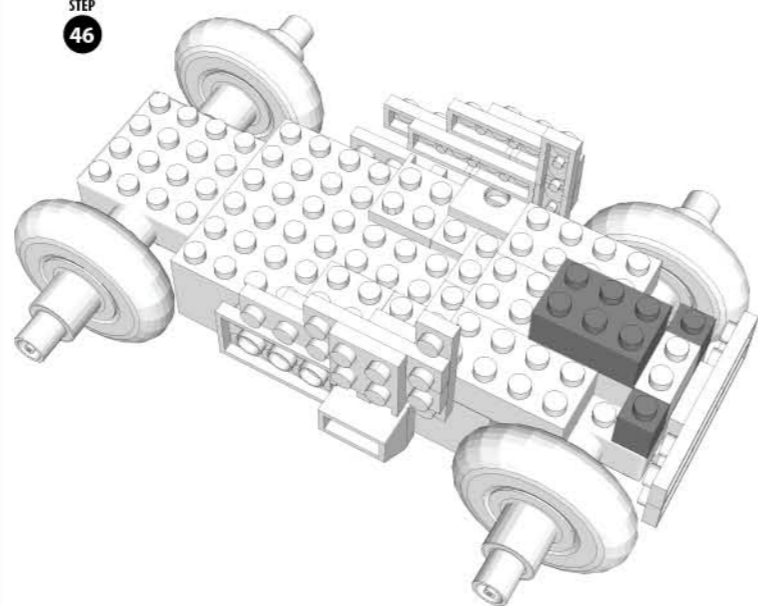
STEP
51



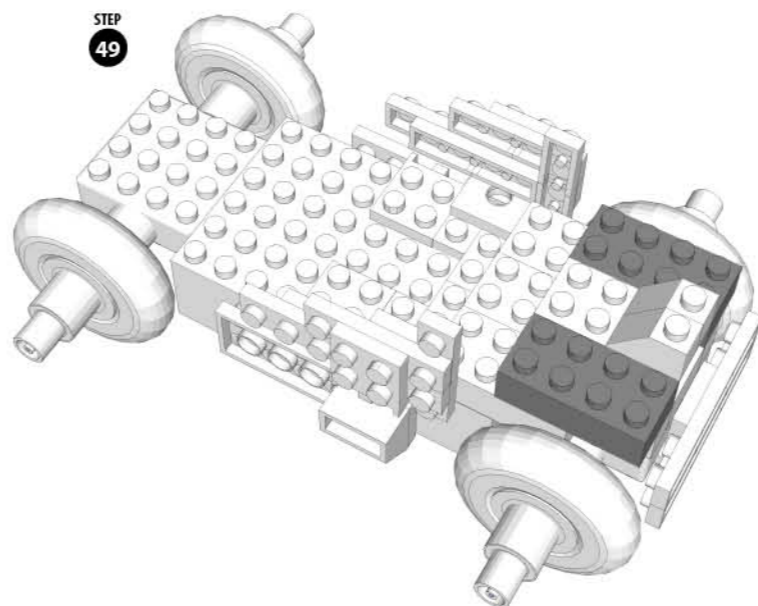
STEP
43



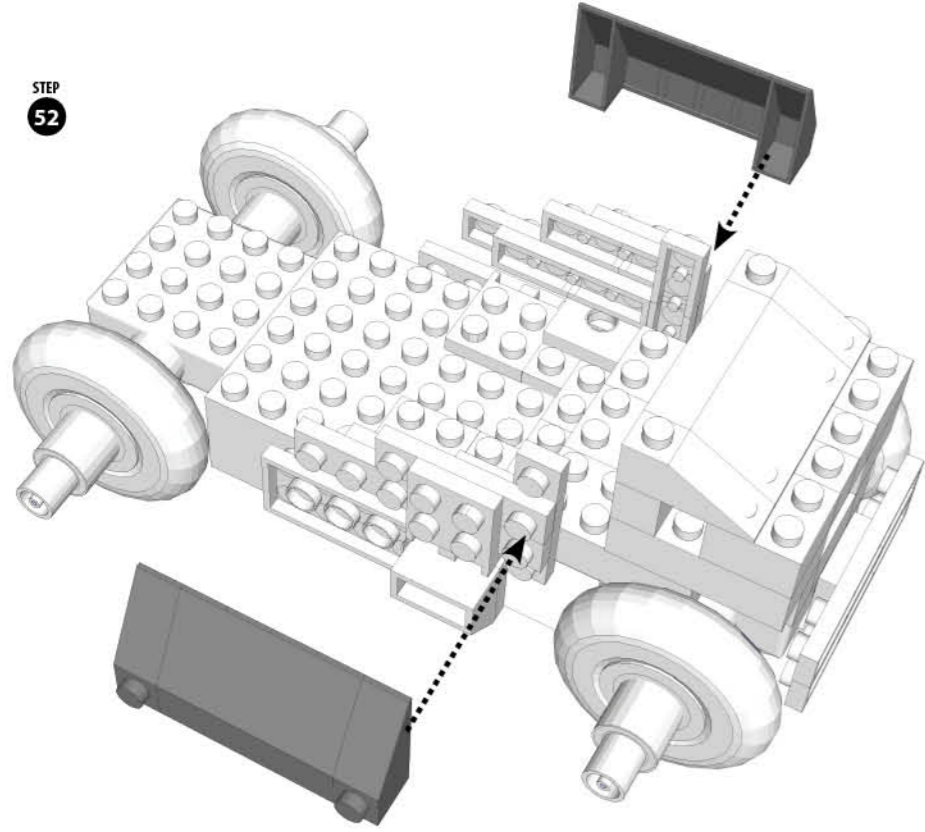
STEP
46



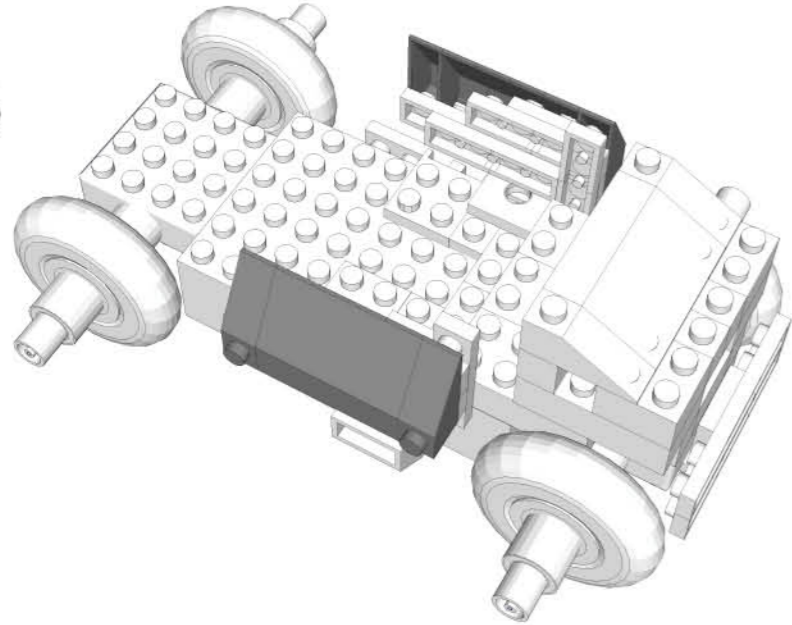
STEP
49



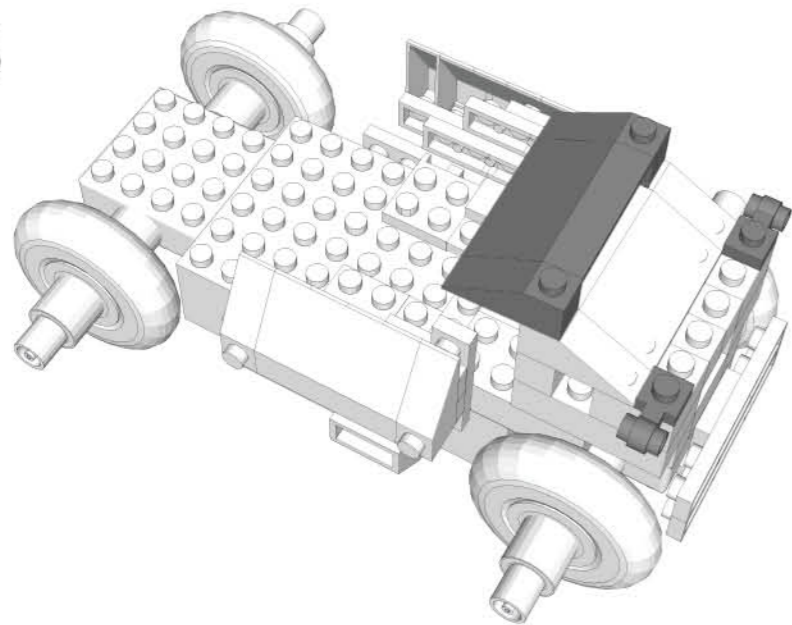
STEP 52



STEP 53

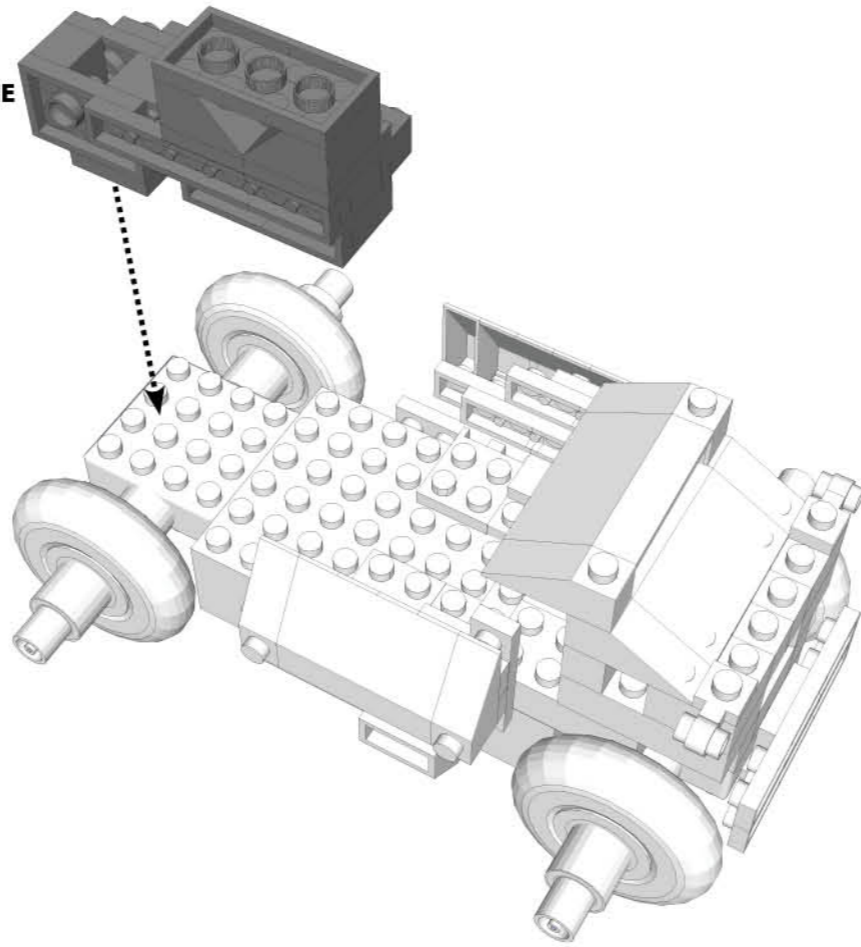


STEP 54

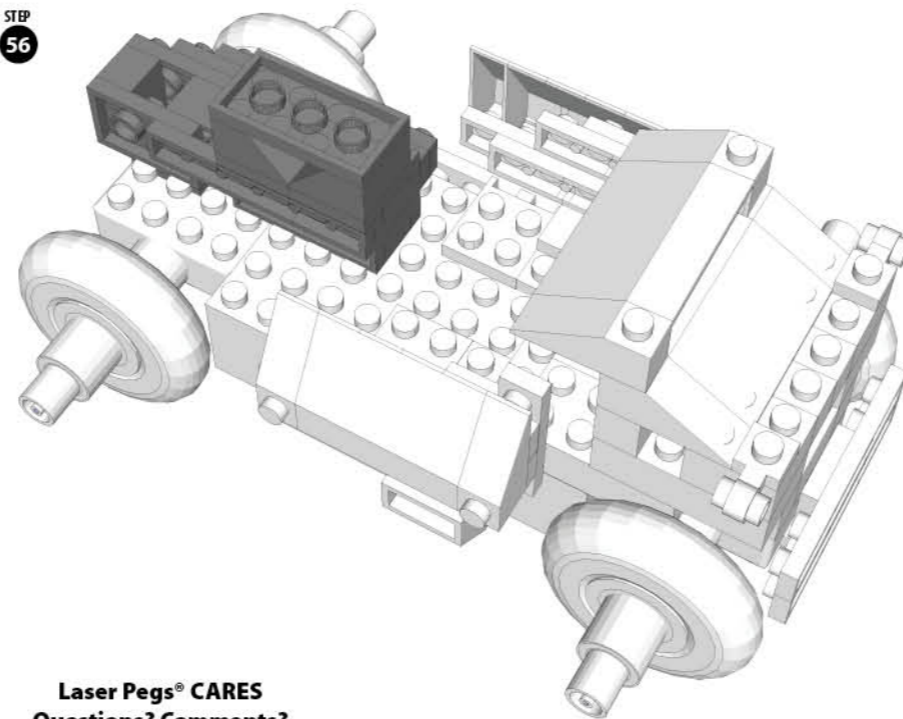


STEP 55

COMBINE B

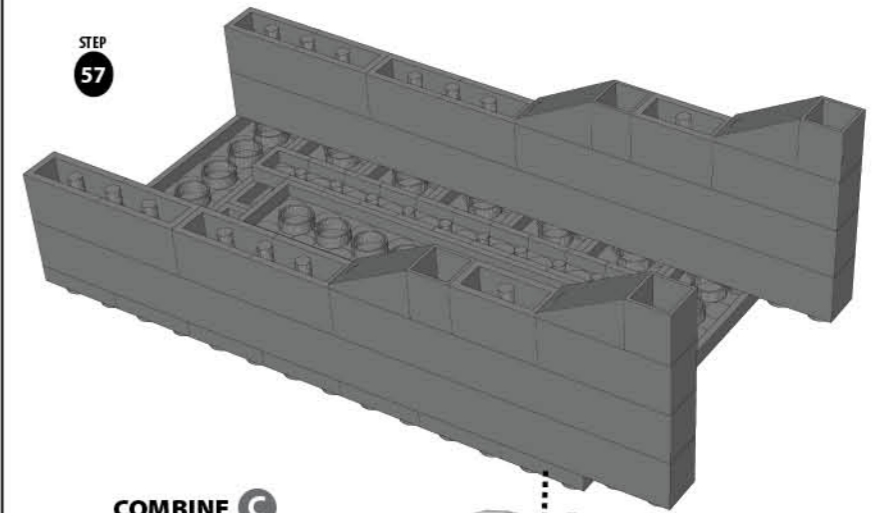


STEP 56

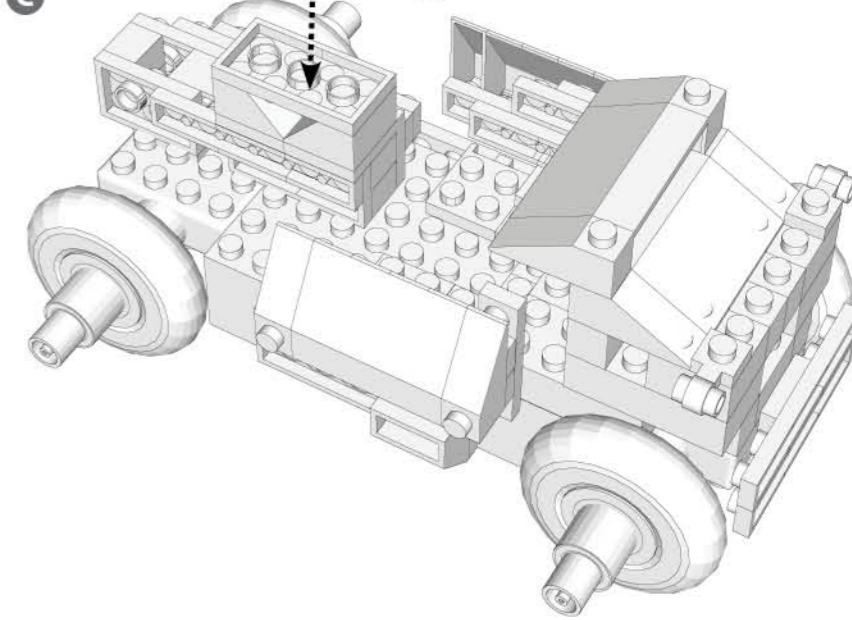


Laser Pegs® CARES
 Questions? Comments?
 For additional compliance info:
 1-866-432-3735
 Contact: Support@LaserPegs.com

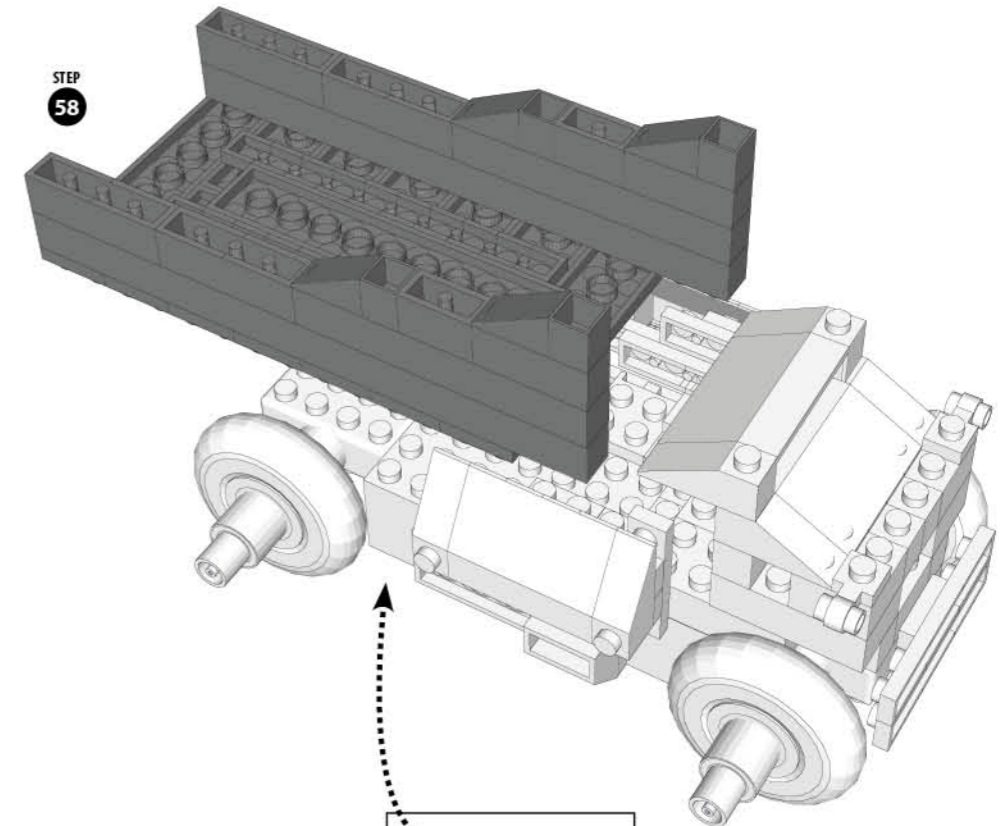
STEP 57



COMBINE C



STEP 58



Slide the switch to Light It Up!



OFF - Turns lights OFF
 ON - Turns lights ON
 FLASH - Makes lights FLASH

MADE IN CHINA

www.LaserPegs.com
 Copyright 2014 © All Rights Reserved Global & Multiple Patents Pending.
 US Patent #7,731,558

LASER PEGS®

The Ultimate Construction Toy For Kids®

PBI420B

POWER BLOCK
Construction Series

Ages 5+

8 Models+
Any creation you can build

LIGHTED
MOBILE POWER BLOCK™ SET INCLUDES:

- 100 Tinted Bricks
- 4 Tire Pegs
- 2 Square M-M Pegs
- 1 Mobile Power Block™

Requires 3 AAA Batteries

Batteries NOT Included

WARNING: CHOKING HAZARD—Small parts. Not for children under 3 yrs. Do not submerge in water.

DO NOT SUBMERGE IN WATER

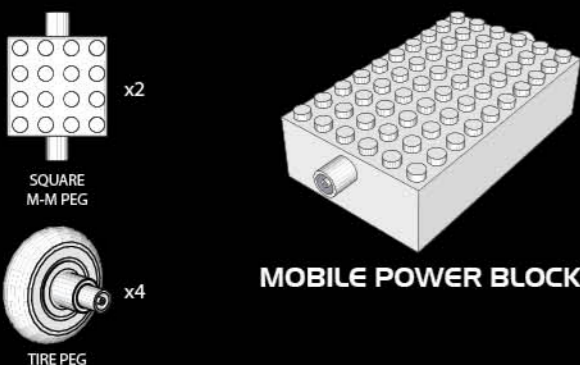
EN71, RoHS COMPLIANT

This product complies to all safety requirements of ASTM F 963

MODEL INSTRUCTIONS

All additional model instructions can be downloaded at www.LaserPegs.com

Laser Pegs® Parts List



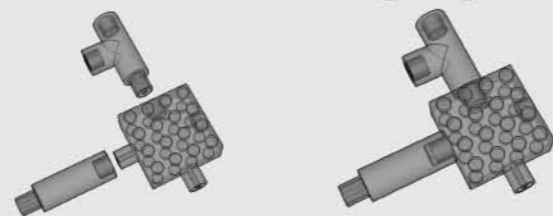
Color Code Each Laser Peg® is color coded on the circuit board inside each shape.



www.LaserPegs.com

This manual is copyright and cannot be reproduced or used online without Laser Pegs® Ventures LLC permission. Copyright 2014 © All Rights Reserved US Patent #7,731,558 Additional Global & Multiple Patents Pending. Laser Pegs® Ventures LLC, 8304 Consumer Ct., Sarasota FL 34240. Contact: Support@LaserPegs.com

Connecting Pegs



To construct with Laser Pegs®, slide two pieces together to form a connection. Slide each piece on and off smoothly.

POWER BLOCK

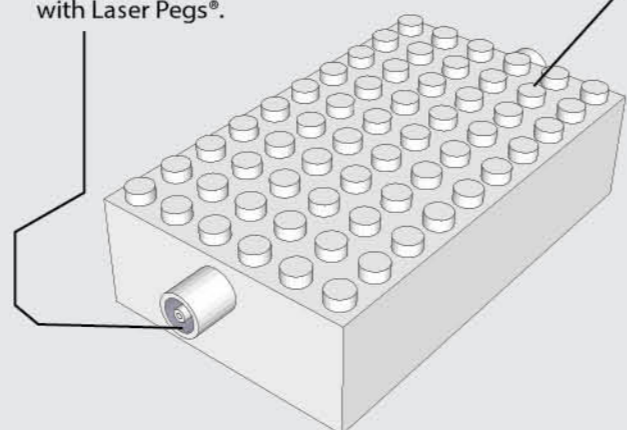
The Power Block is a Power Base that allows you to build with Laser Pegs® and construction parts to build models that light up. It is battery operated. (BATTERIES NOT INCLUDED.)

Laser Pegs® Connections

Allows you to construct with Laser Pegs®.

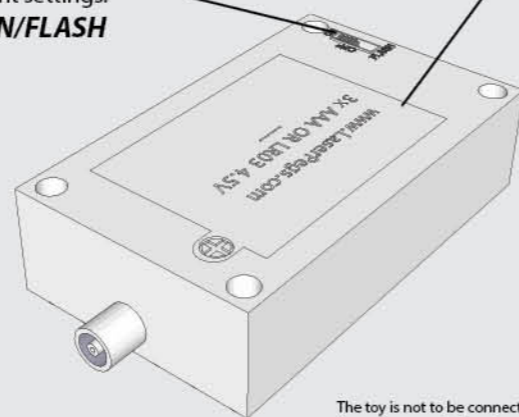
Construction Part Connections

Allows you to connect to other construction kits.



Power Switch

Move the Power Switch to cycle through the Power Block light settings. **OFF/ON/FLASH**

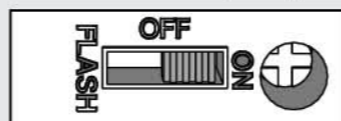


Battery Compartment

Requires 3-AAA Batteries (Batteries Not Included)

LIGHT SETTINGS

OFF - Turns lights OFF
ON - Turns lights ON
FLASH - Makes lights FLASH



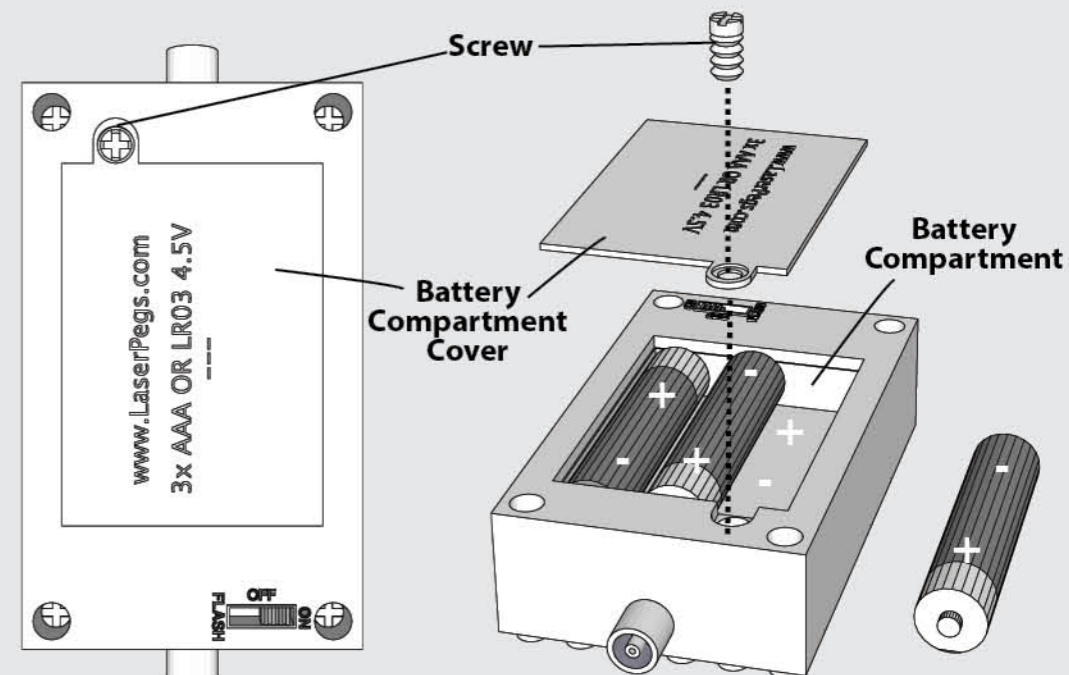
WARNING: STROBE LIGHTS MAY CAUSE SEIZURES

WARNING! Each Laser Peg® draws current from the batteries. Therefore, the more pegs you use, the quicker you will deplete your battery power! As the power weakens, the current will slowly fail and some Laser Pegs® will illuminate (typically the reds and yellows) and some won't. When the Laser Pegs® dim, the Laser Pegs® are not broken, they just need stronger batteries. You have 2 simple options...
1. Change the batteries.
2. Use high quality batteries. They will last a little longer, but they will still deplete rapidly the more Laser Pegs® you connect!

Replacing Batteries

1. Remove Screw.
2. Lift off Battery Compartment Cover.
3. Place three (3) AAA batteries in the correct position - as displayed inside of the Power Block.
4. Replace Battery Compartment Cover and Screw.
5. Slide Power Switch setting to OFF/ON/FLASH.
6. Do not mix old and new batteries.
7. Do not mix alkaline, standard (carbon-zinc), or rechargeable (nickel-cadmium, NiMH) batteries!
8. Exhausted batteries are to be removed from the power base.
9. Never connect more than 30 Laser Pegs® at one time!
10. Non-rechargeable batteries are not to be recharged.
11. Rechargeable batteries are only to be recharged under adult supervision.
12. Rechargeable batteries are to be removed from the toy before being recharged.
13. Batteries are to be inserted with the correct polarity.
14. The supply terminals are not to be short-circuited.
15. DO NOT THROW BATTERIES INTO FIRE!

Remove the Phillips head screw with a 4mm screw driver. **Requires 3-AAA Batteries** Batteries NOT Included

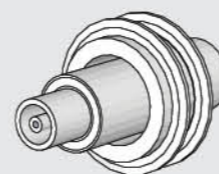


Requires 3-AAA Batteries

Connecting the Laser Pegs® Tire to the Axle Peg

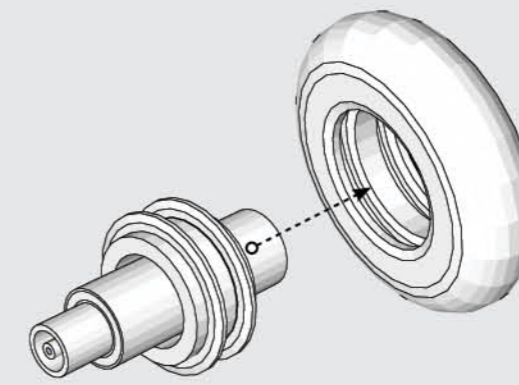


Tire

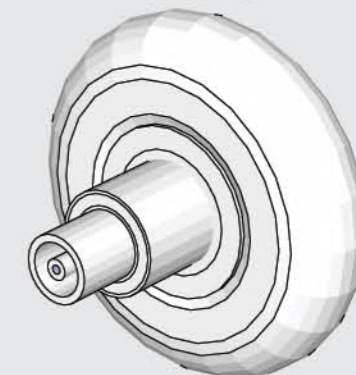


Axle Peg

Place Axle Peg through the Tire



Tire Peg

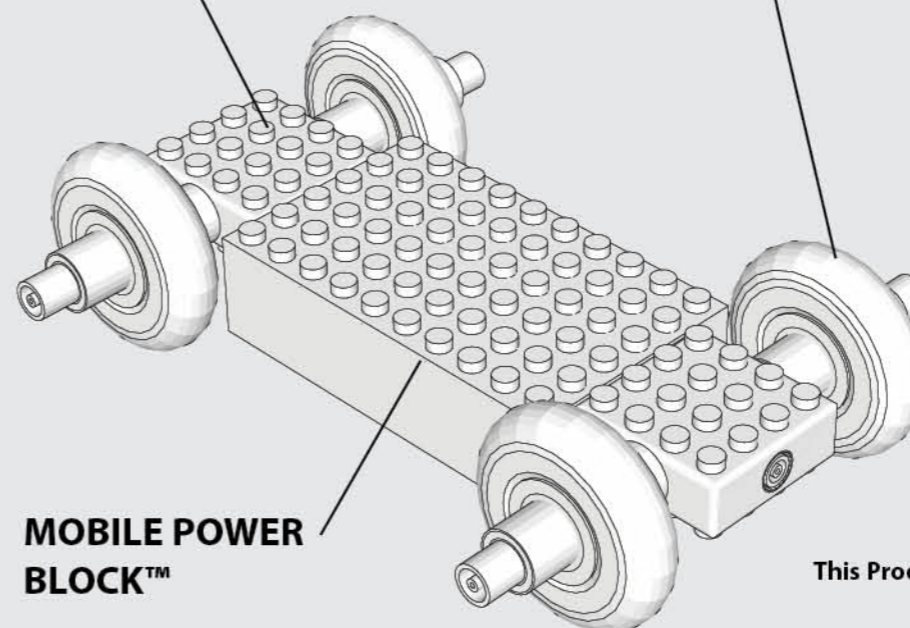


POWER BLOCK™

Use the Laser Pegs® Square M-M Peg to attach the Tire Pegs to the Power Block™.

Laser Pegs® Square M-M Peg

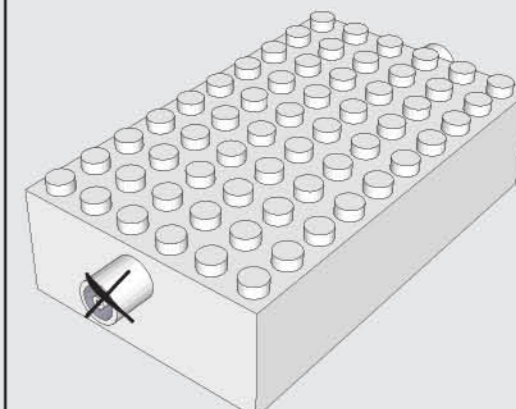
Tire Peg



MOBILE POWER BLOCK™

AVOID DAMAGE TO PEG HOLES

*To avoid short-circuits, keep metal objects and other unauthorized materials from obstructing the peg holes.



Never connect more than 30 Laser Pegs® to the Power Block at one time.

This Product contains a button battery. If swallowed, it could cause severe injury or death in just 2 hours. Seek medical attention immediately.

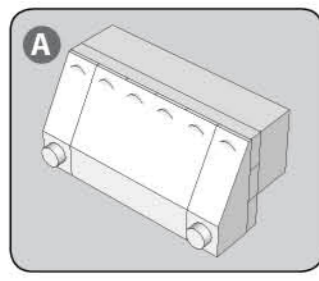
EXCAVATOR: With the advent of hydraulic-powered attachments such as a breaker, a grapple or an auger, the excavator is frequently used in many applications other than excavation.



EXCAVATOR

Model
Difficulty
Level
4

The TRY-ME mechanism is for display purposes ONLY and should be discarded as per state and local regulations. It is NOT intended to be used for the building of this model.



STEP 1

STEP 2

STEP 3

STEP 4

FLIP

STEP 5

STEP 6

STEP 7

FLIP

B

STEP 8

STEP 9

FLIP

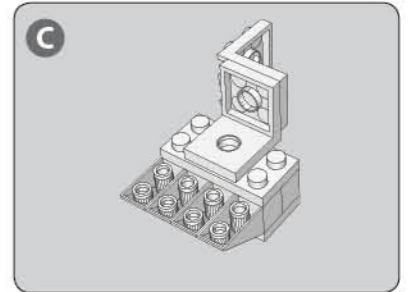
STEP 10

STEP 11

STEP 12

STEP 13

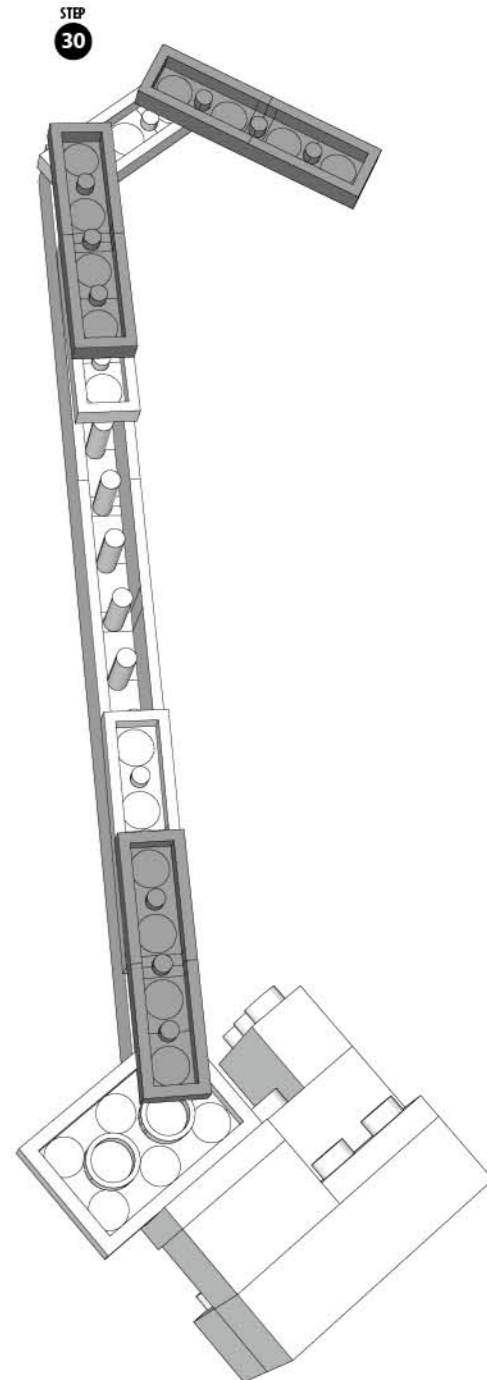
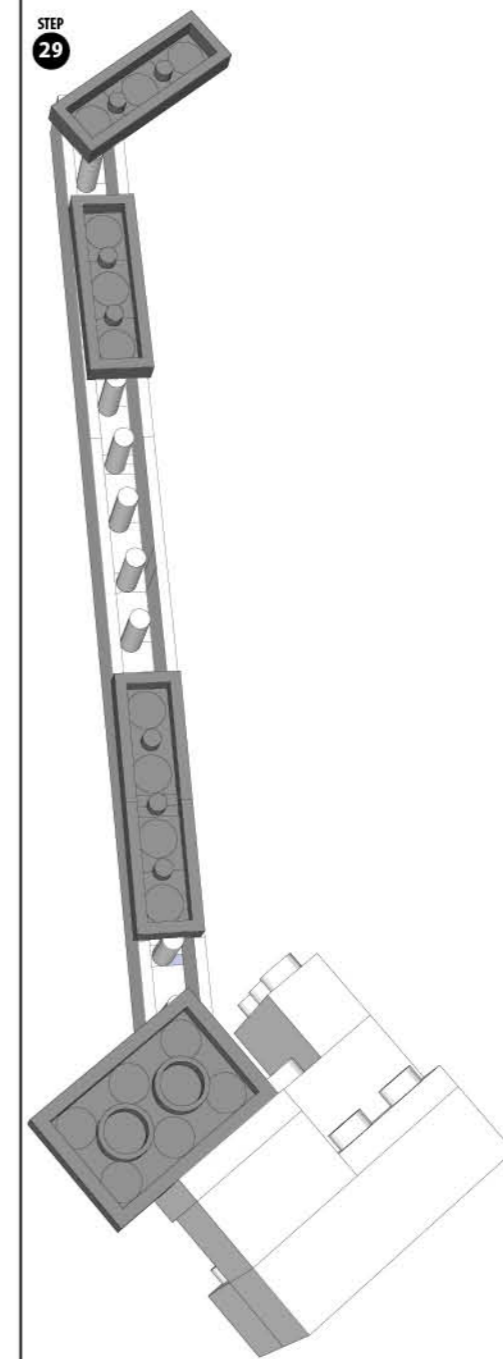
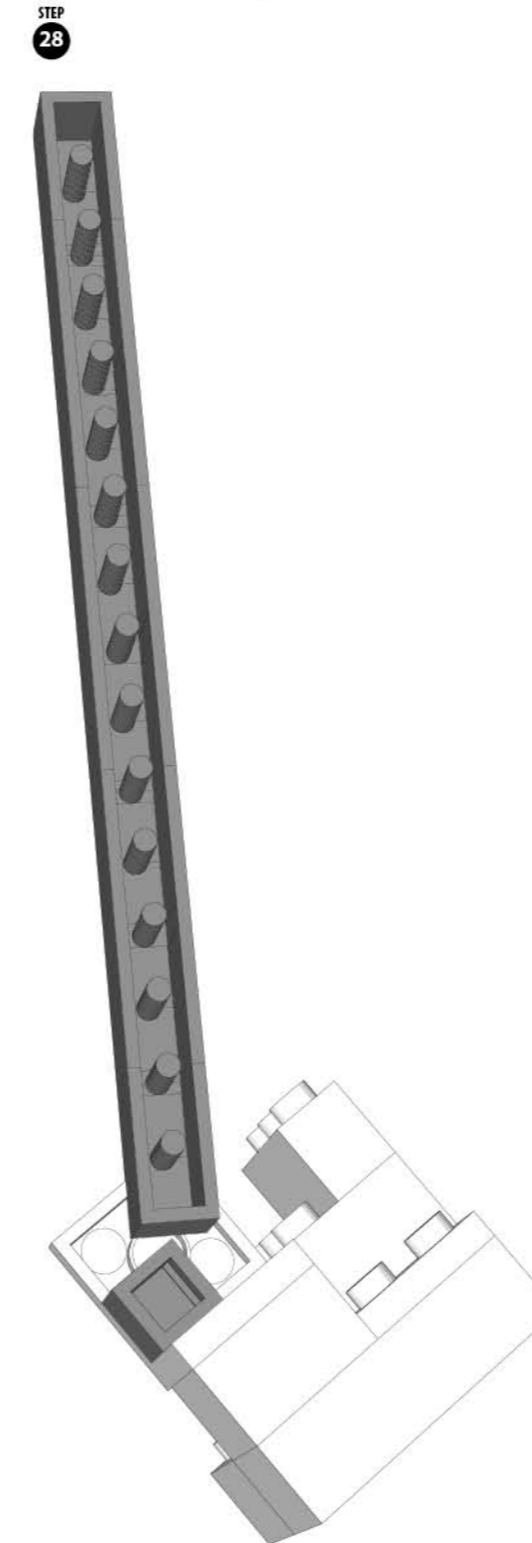
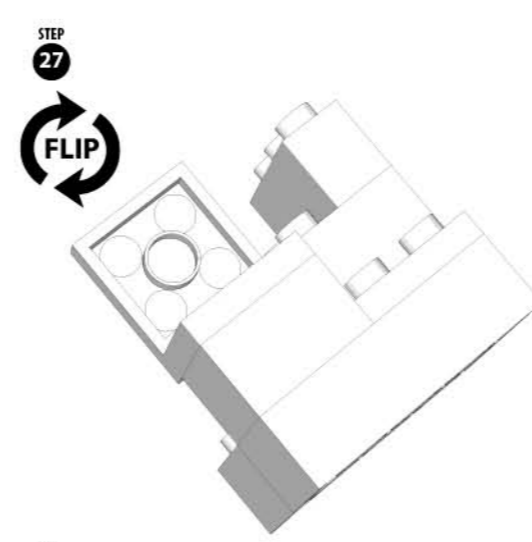
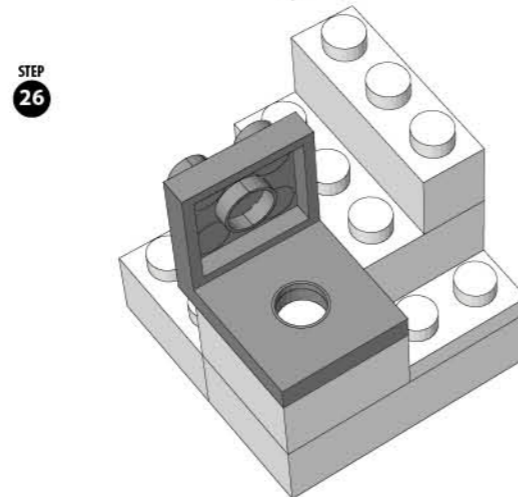
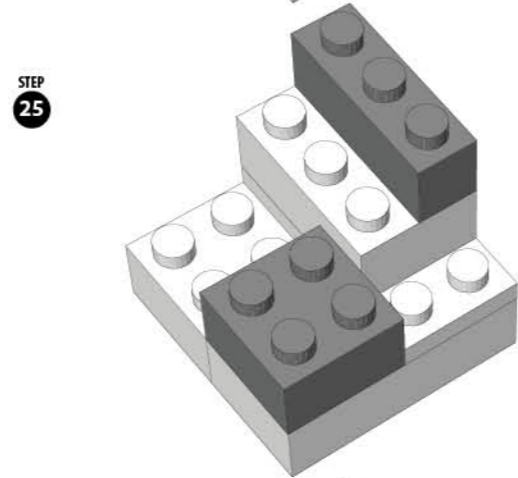
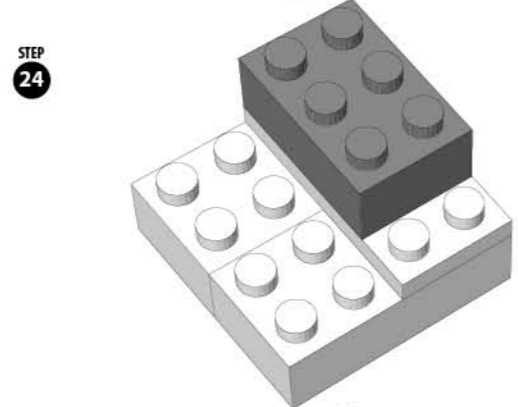
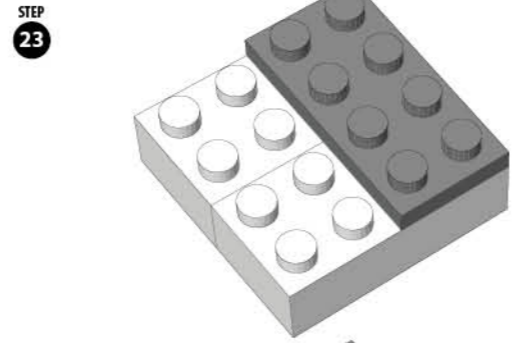
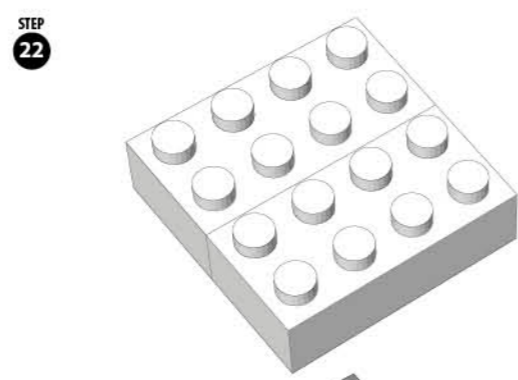
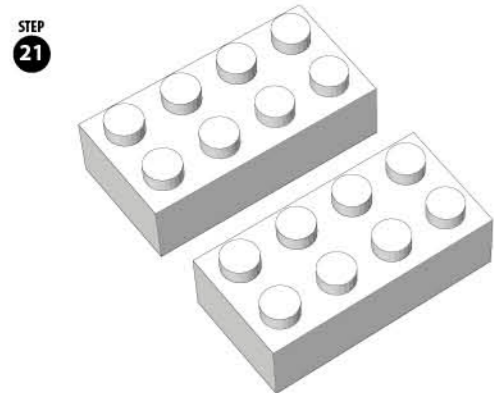
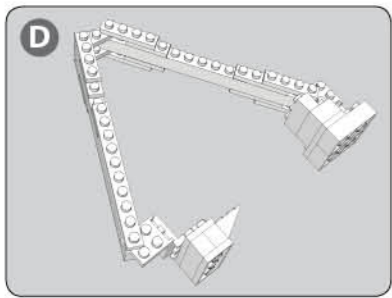
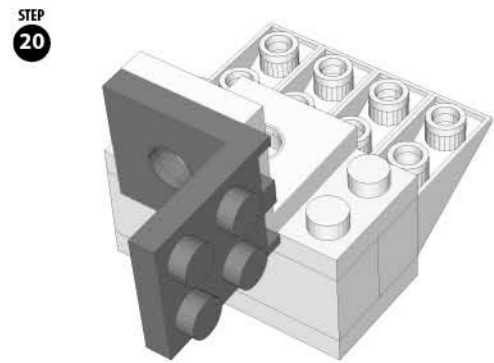
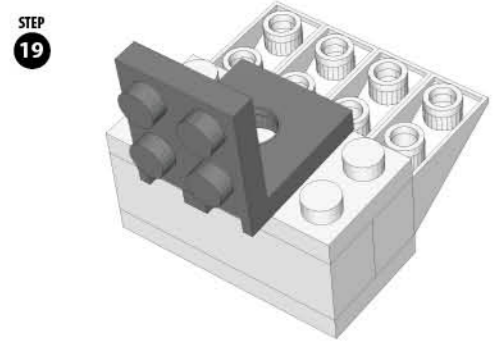
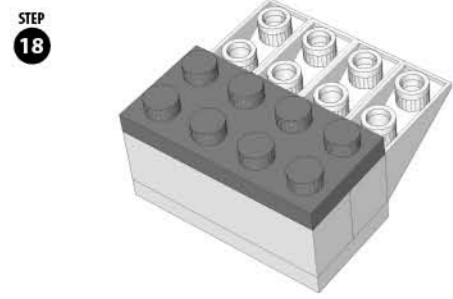
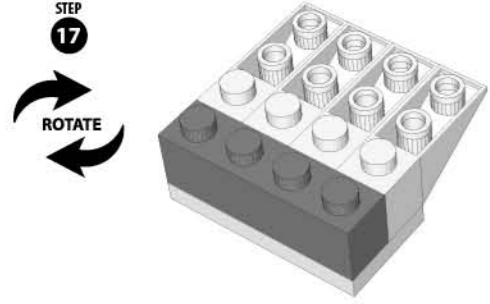
FLIP



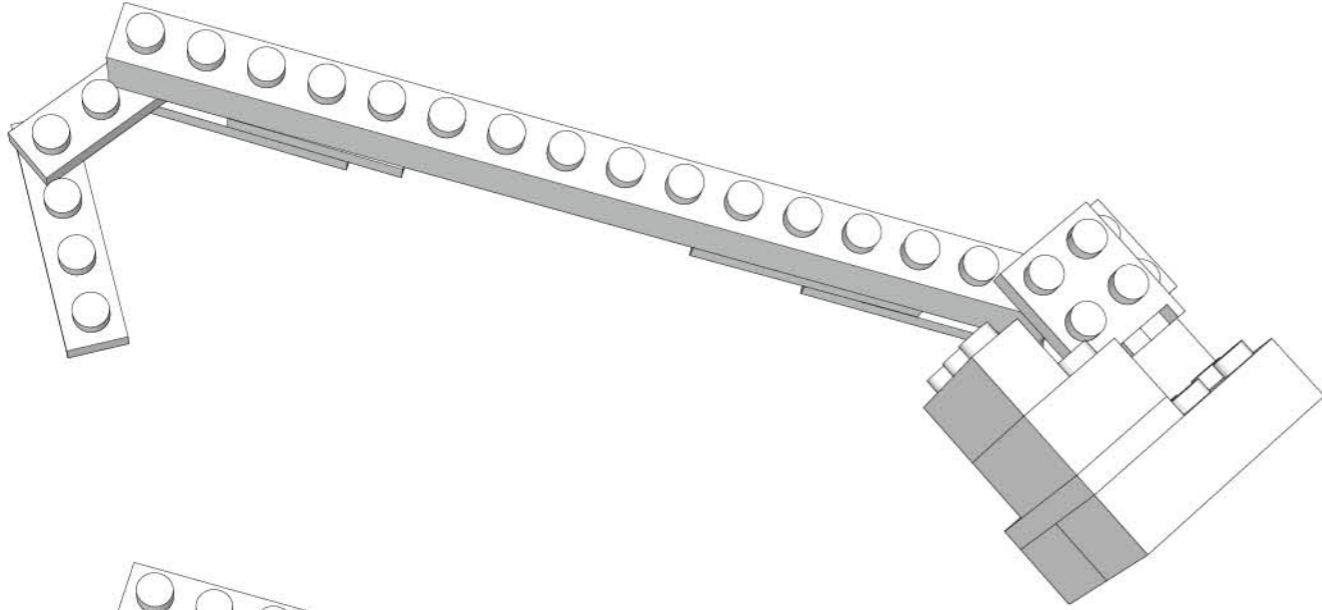
STEP 14

STEP 15

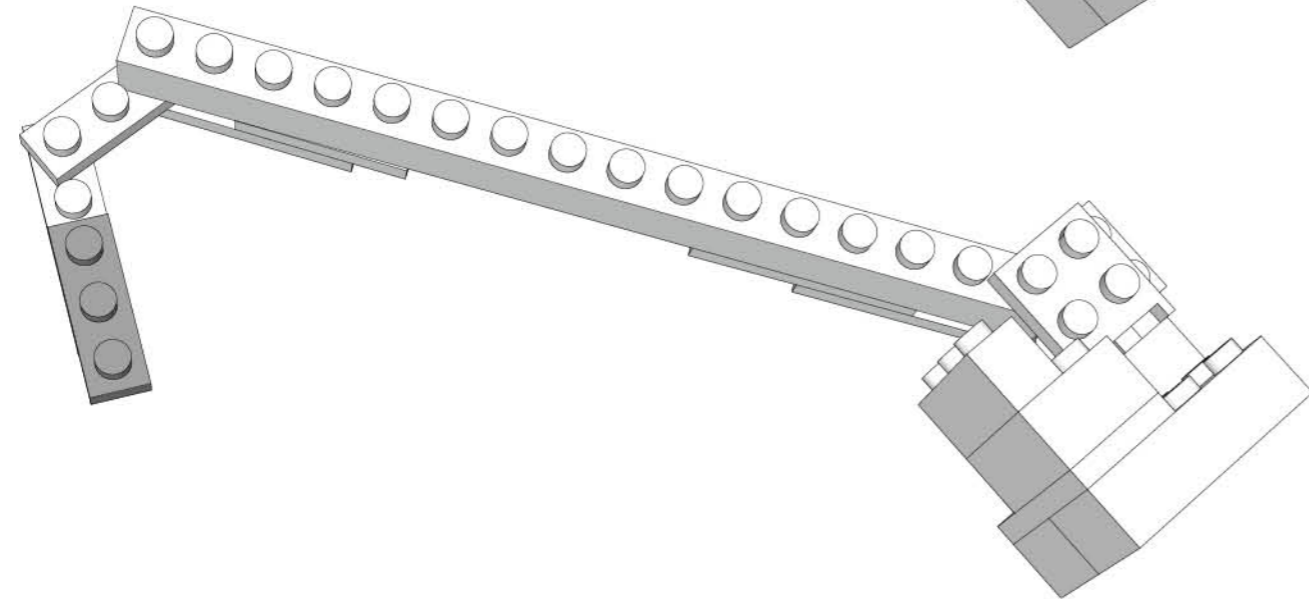
STEP 16



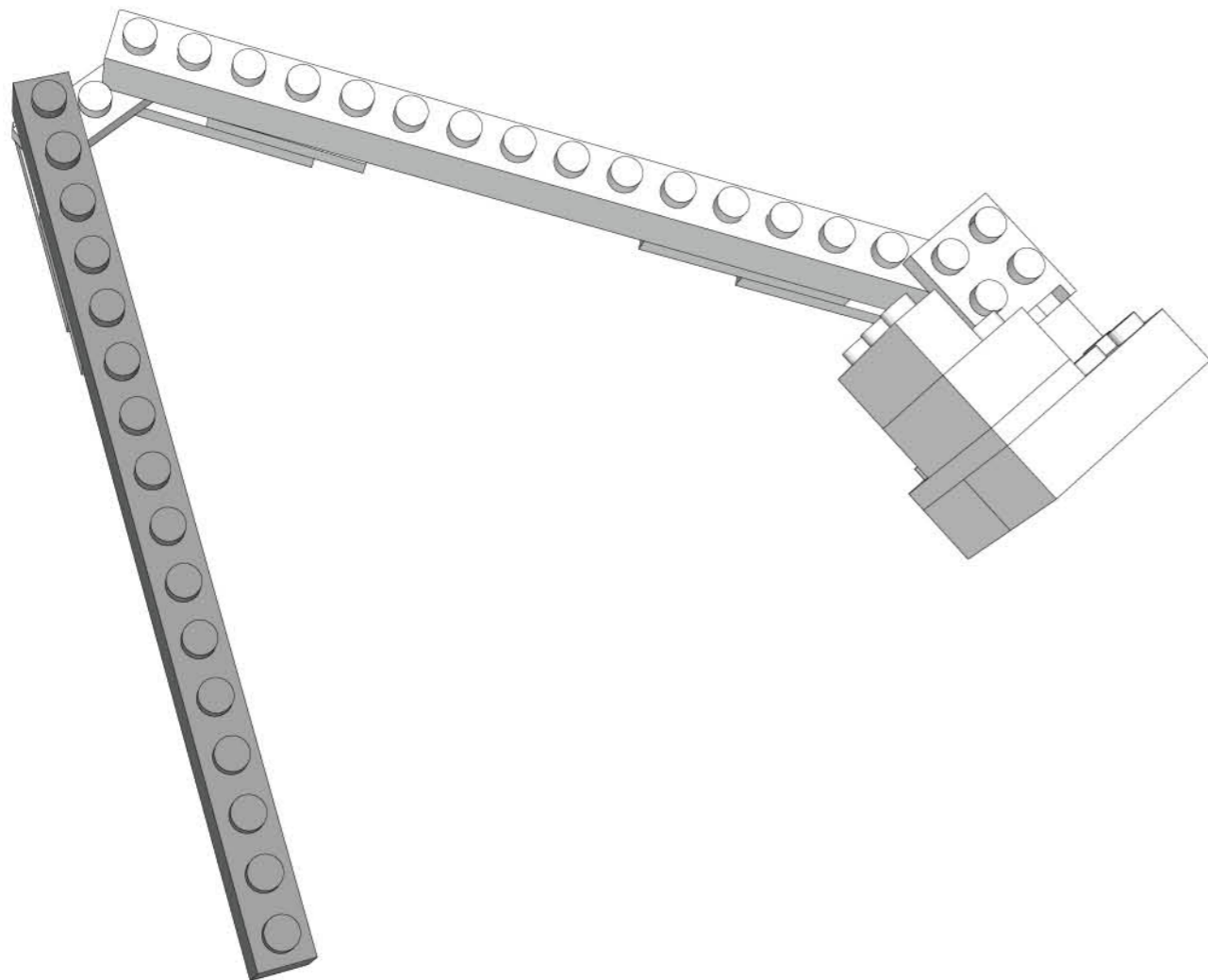
STEP 31



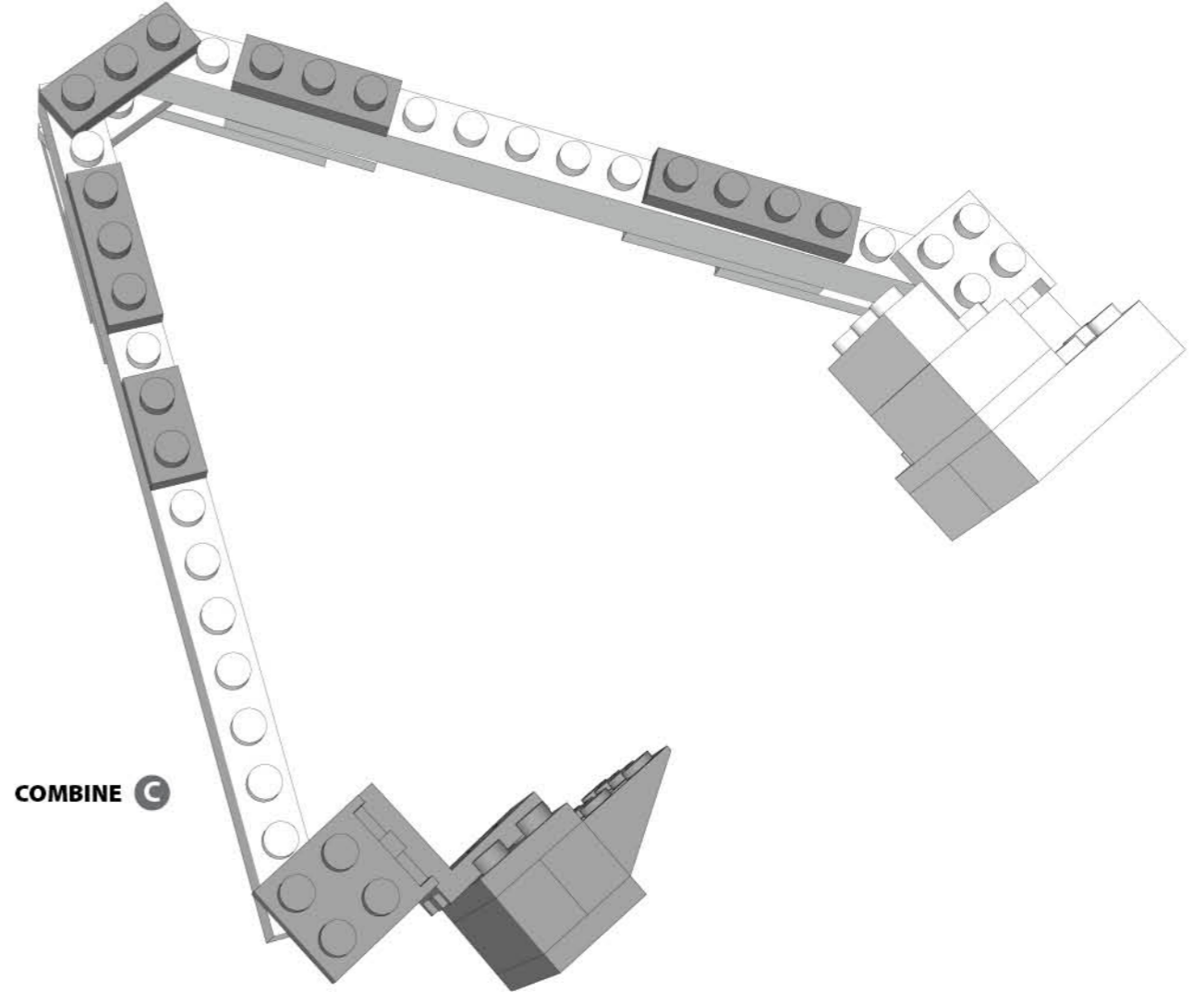
STEP 32



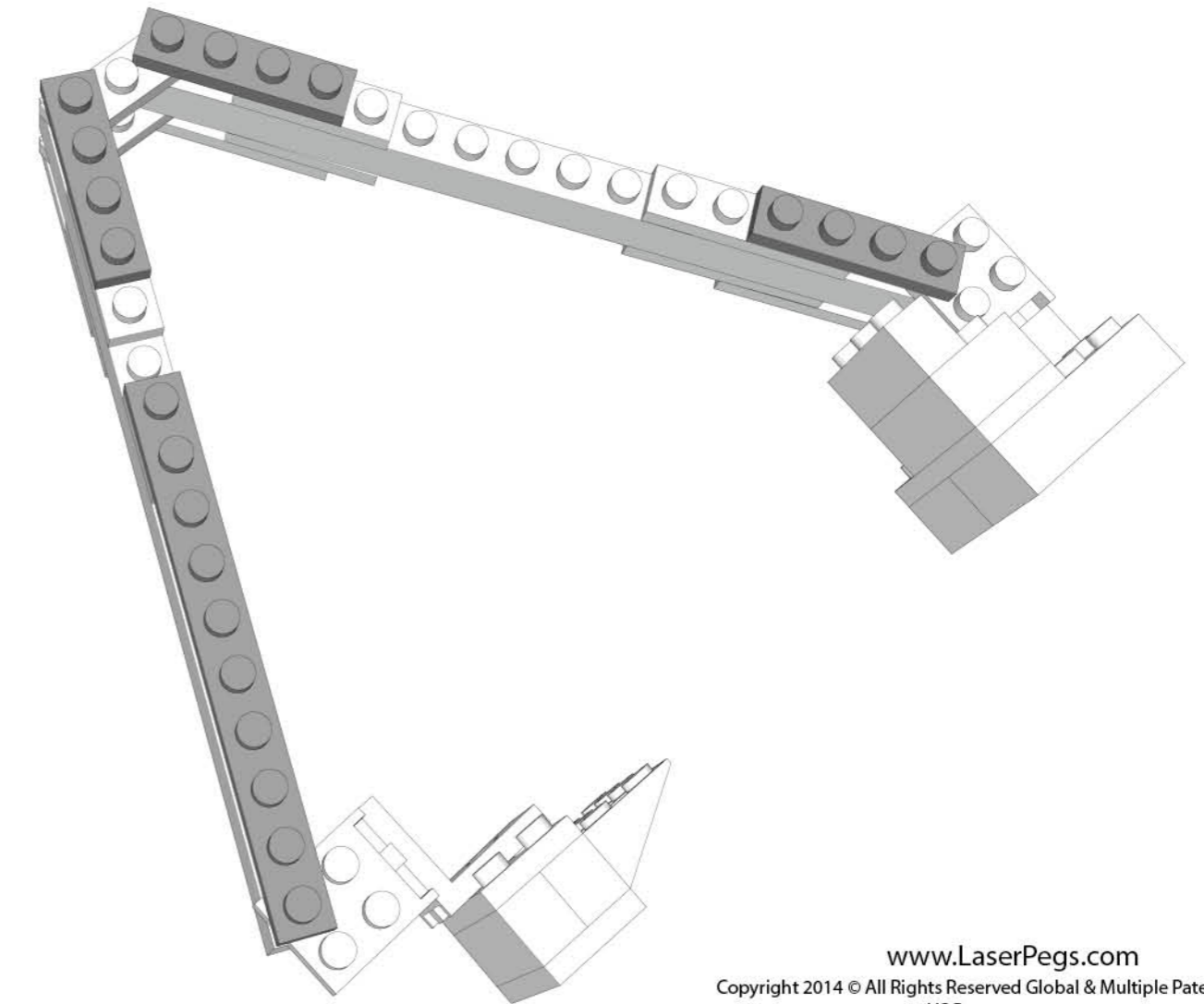
STEP 33

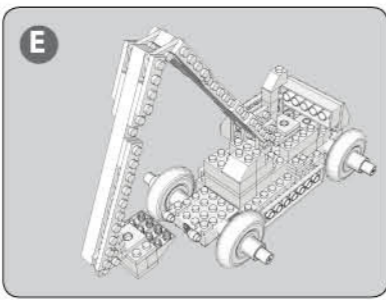


STEP 34

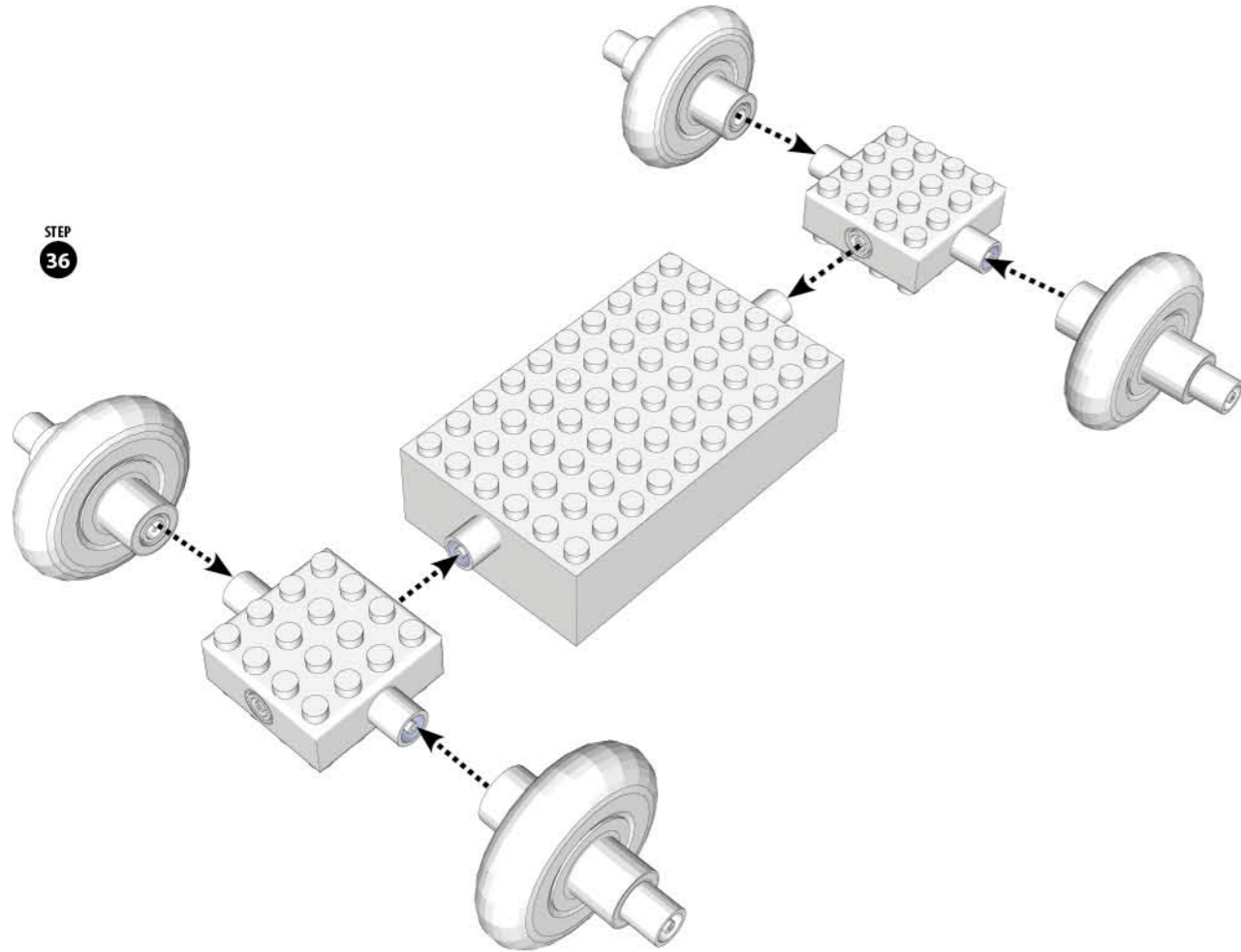


STEP 35

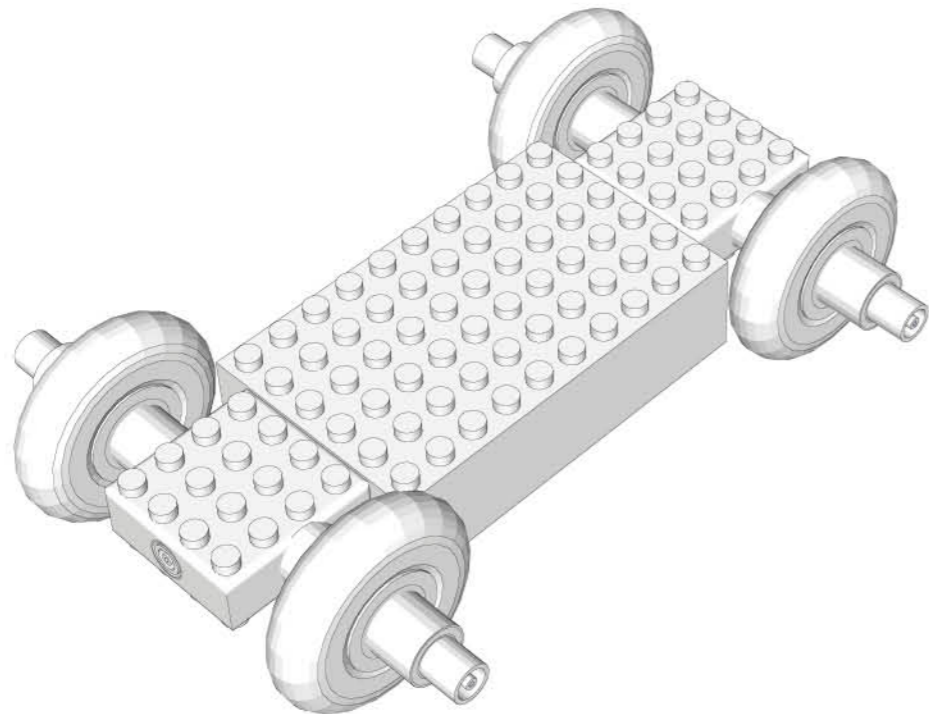




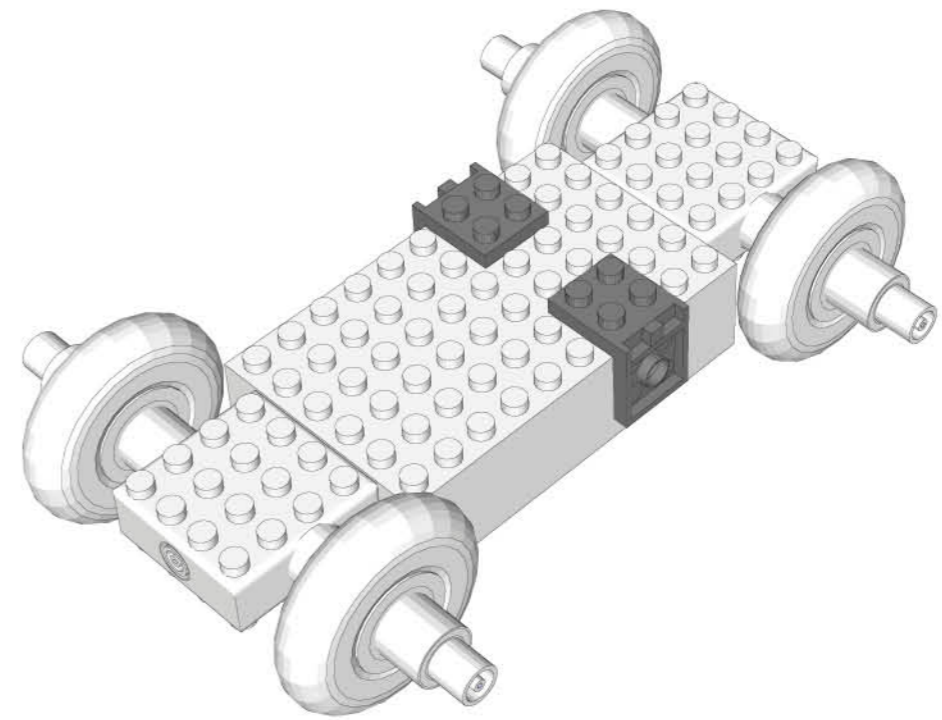
STEP
36



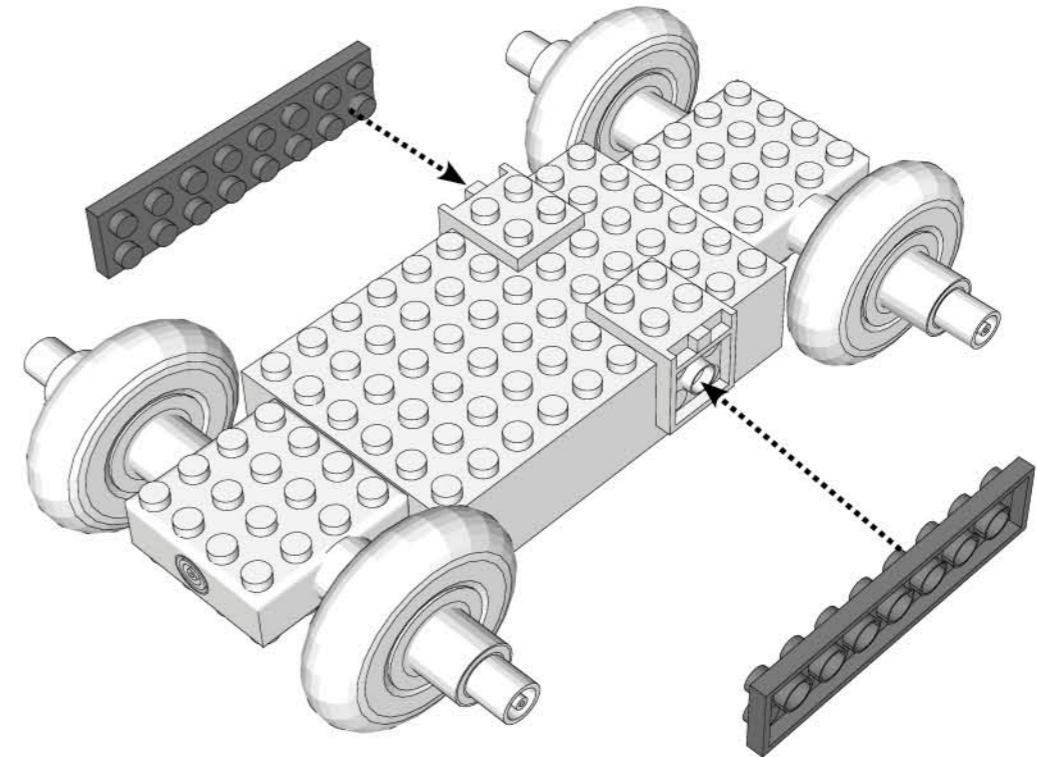
STEP
37



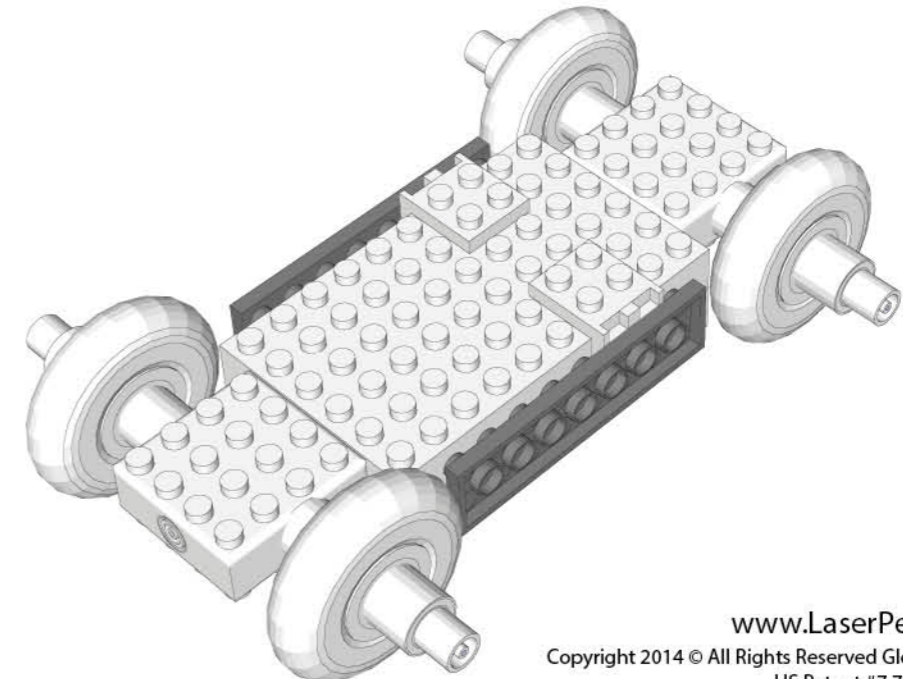
STEP
38



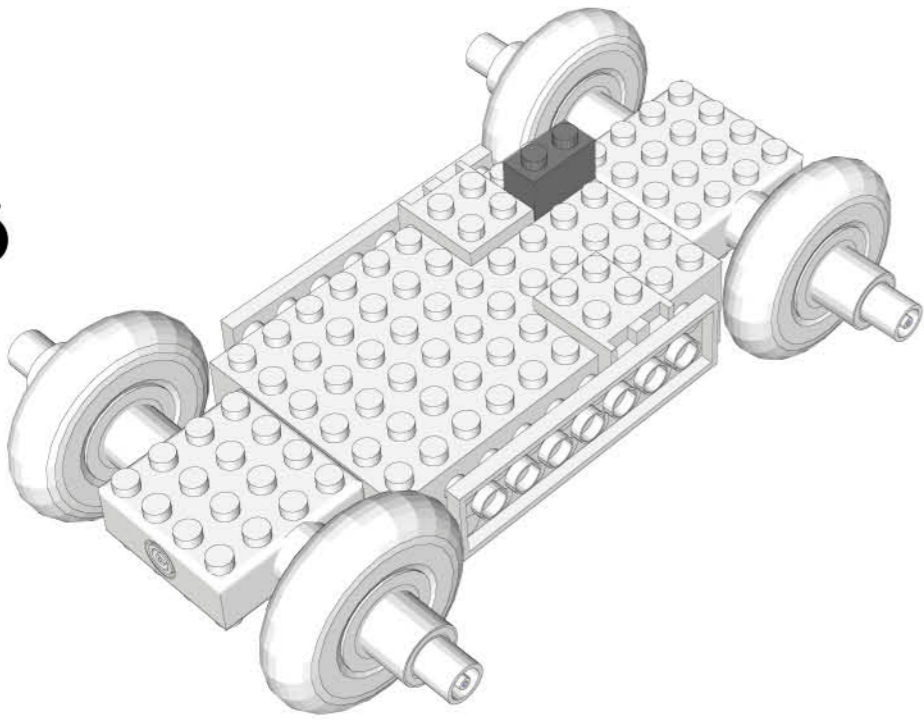
STEP
39



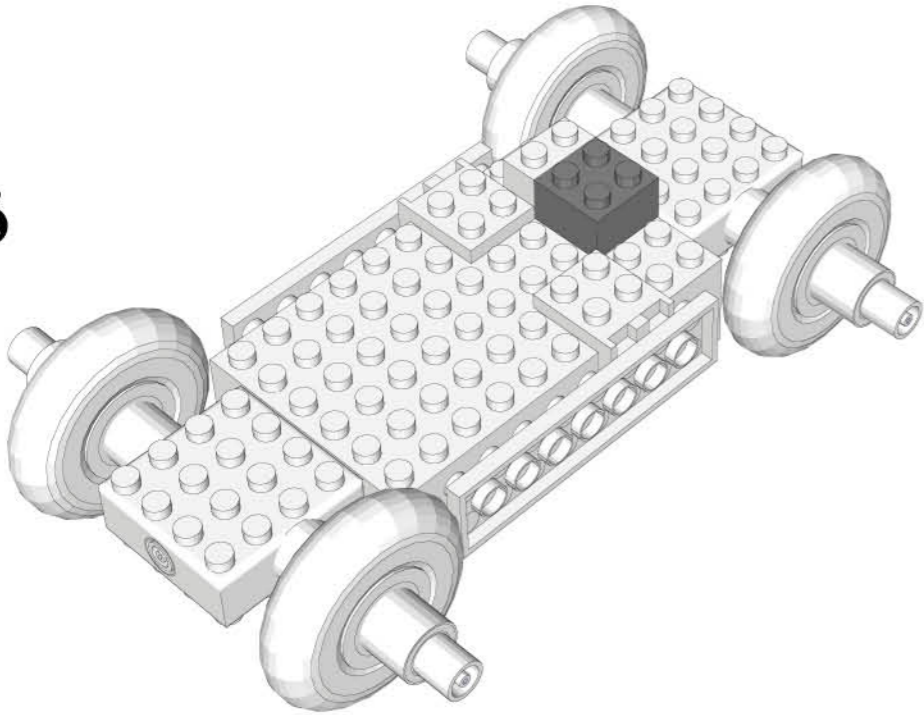
STEP
40



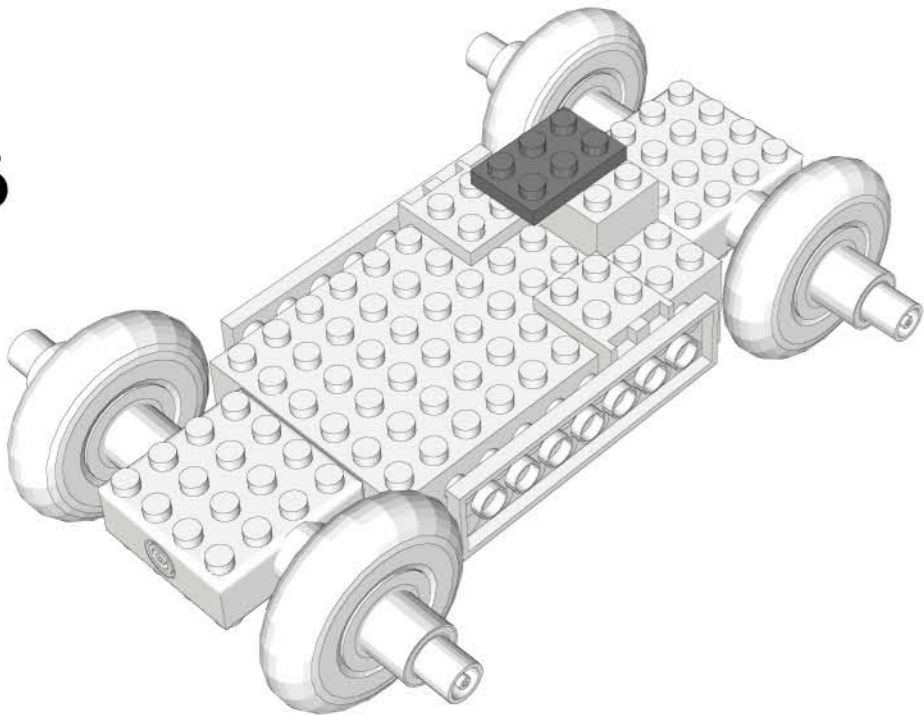
STEP
41



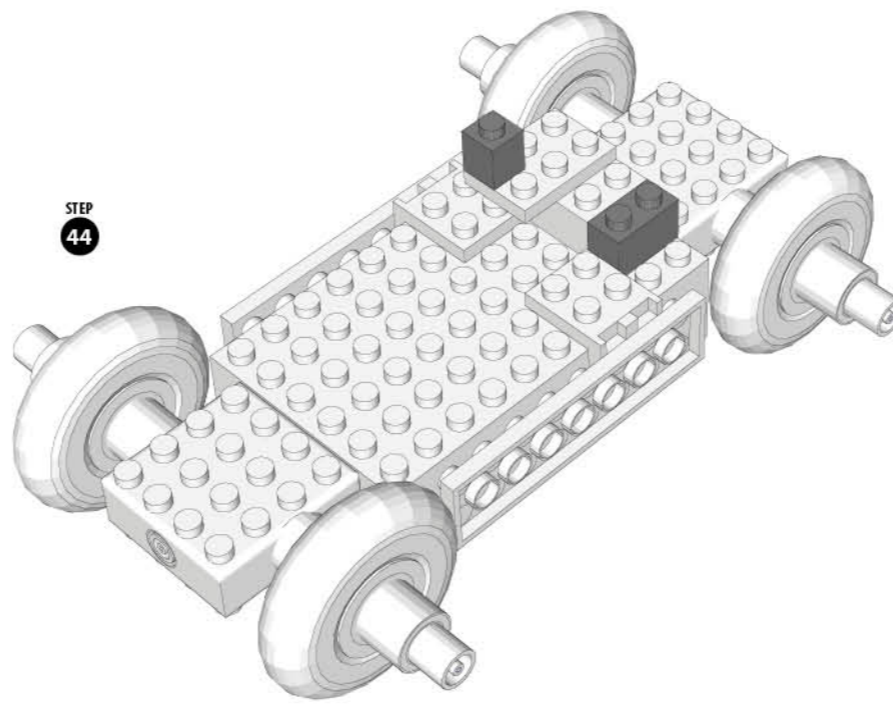
STEP
42



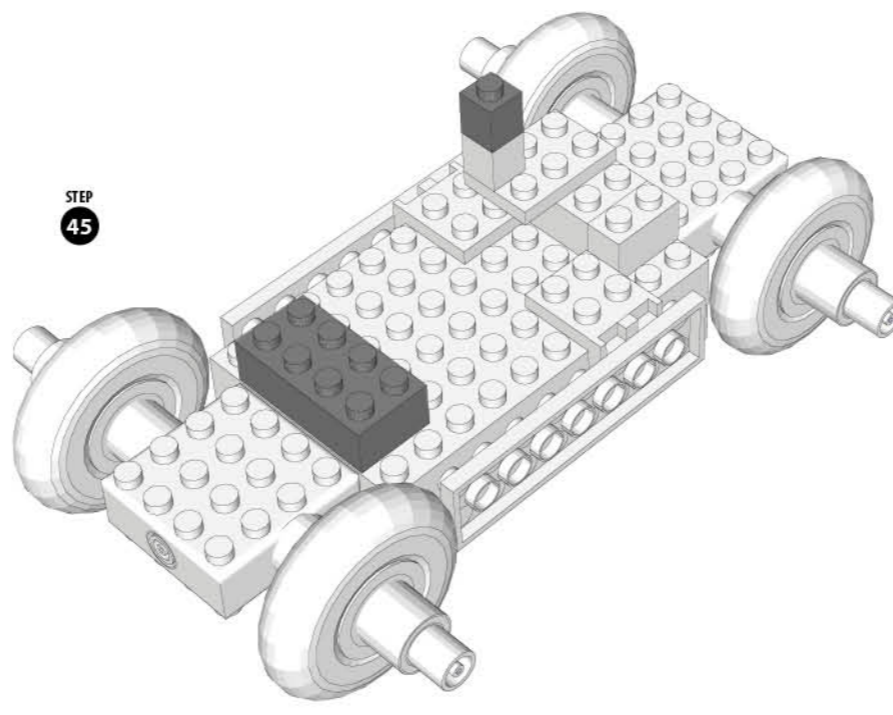
STEP
43



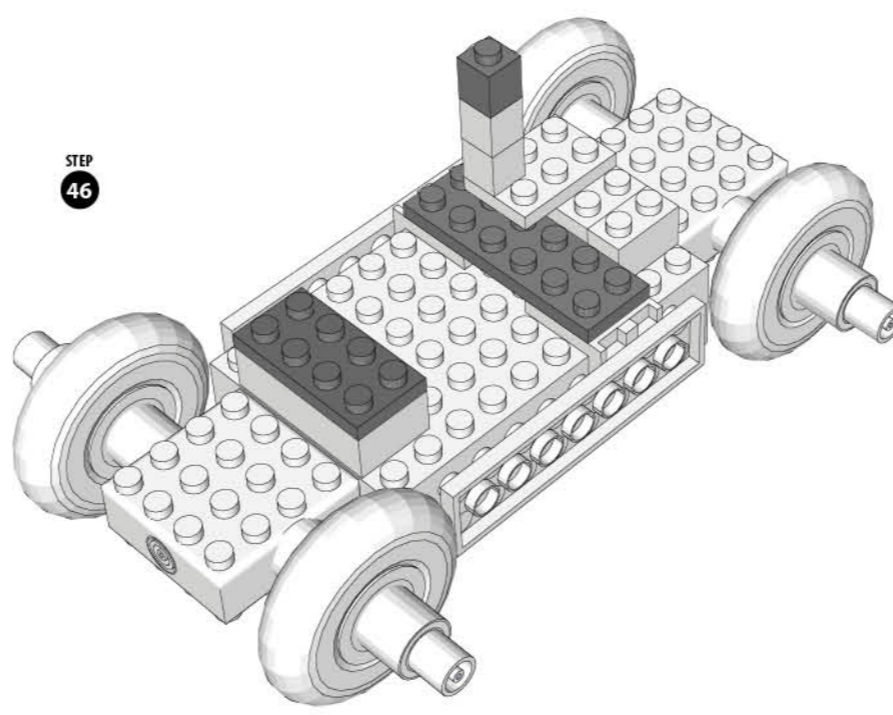
STEP
44



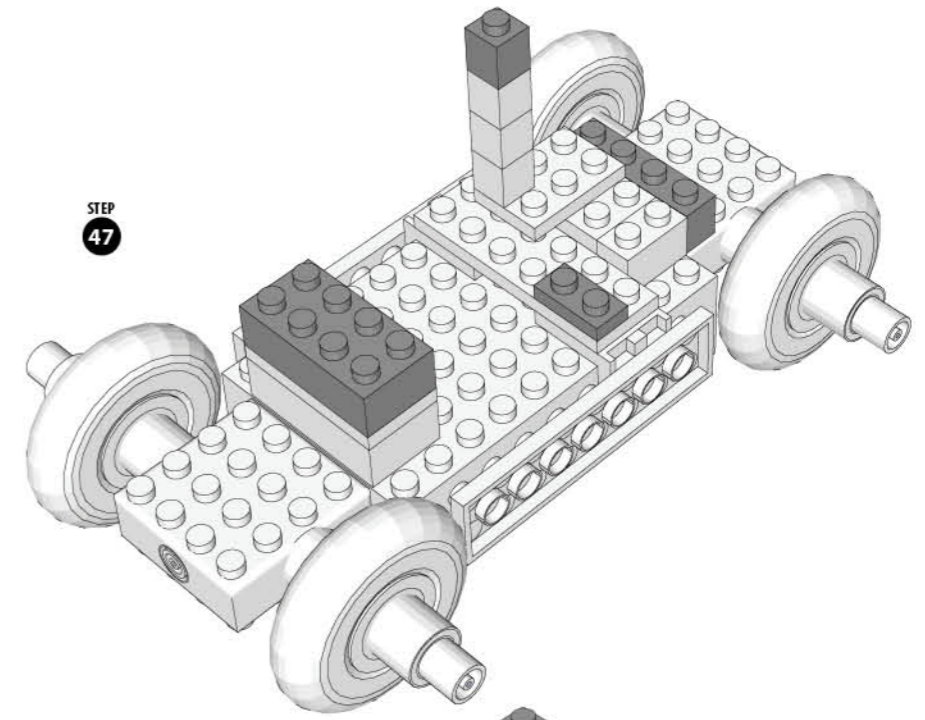
STEP
45



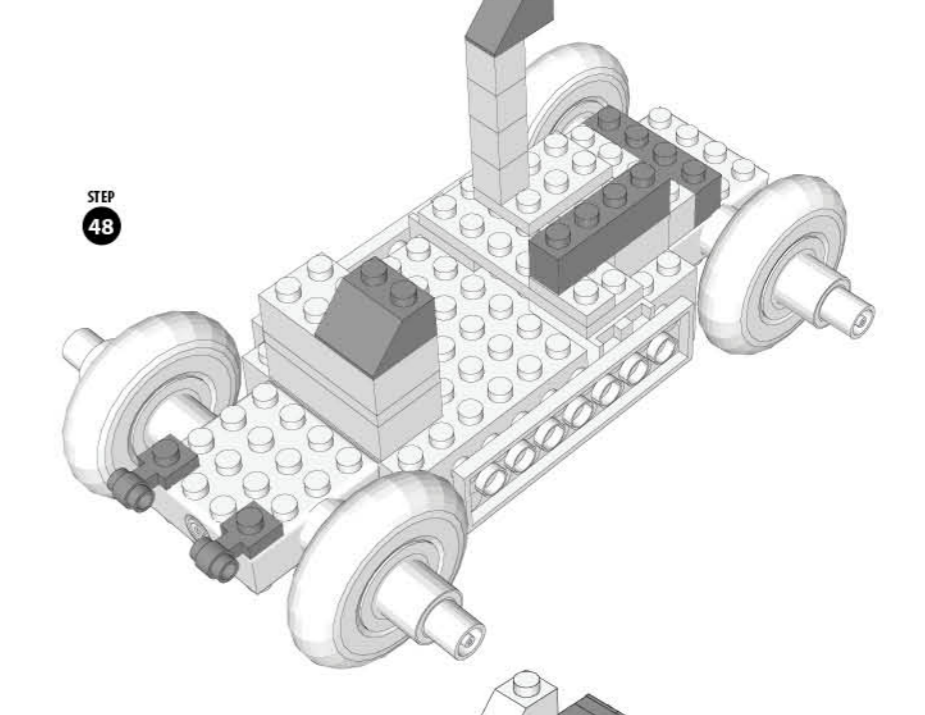
STEP
46



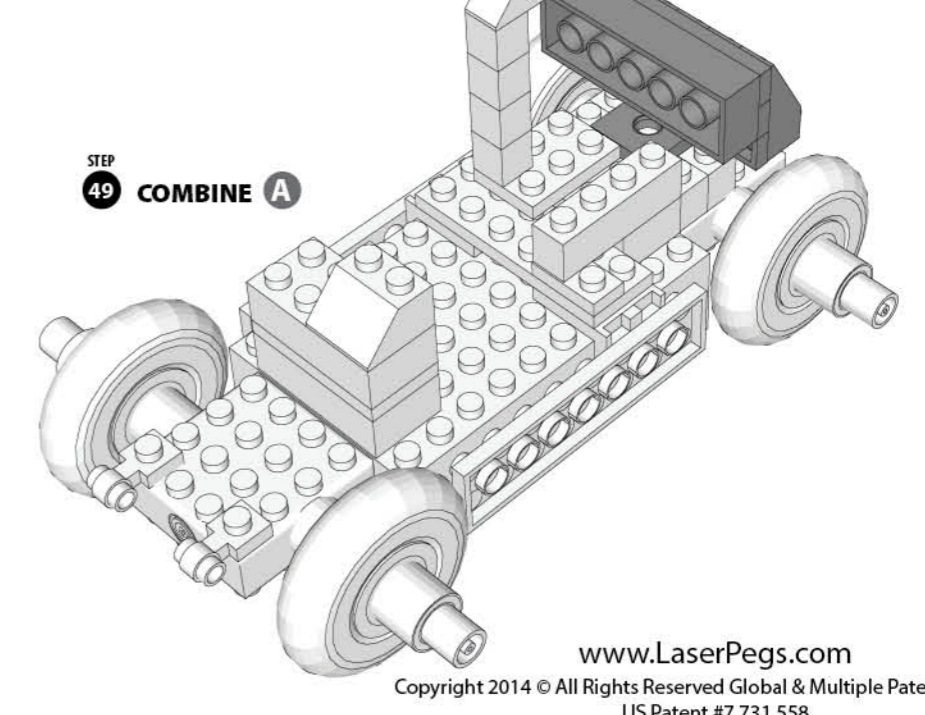
STEP
47



STEP
48



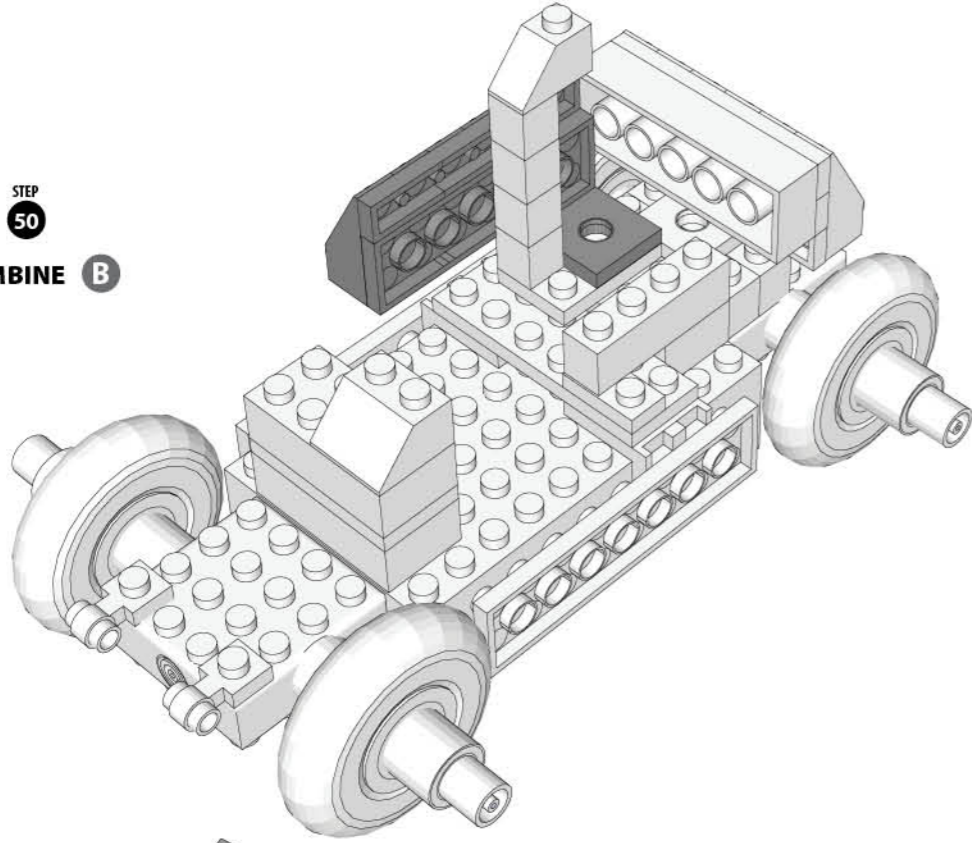
STEP
49



Laser Pegs® CARES
 Questions? Comments?
 For additional compliance info:
 1-866-432-3735
 Contact: Support@LaserPegs.com

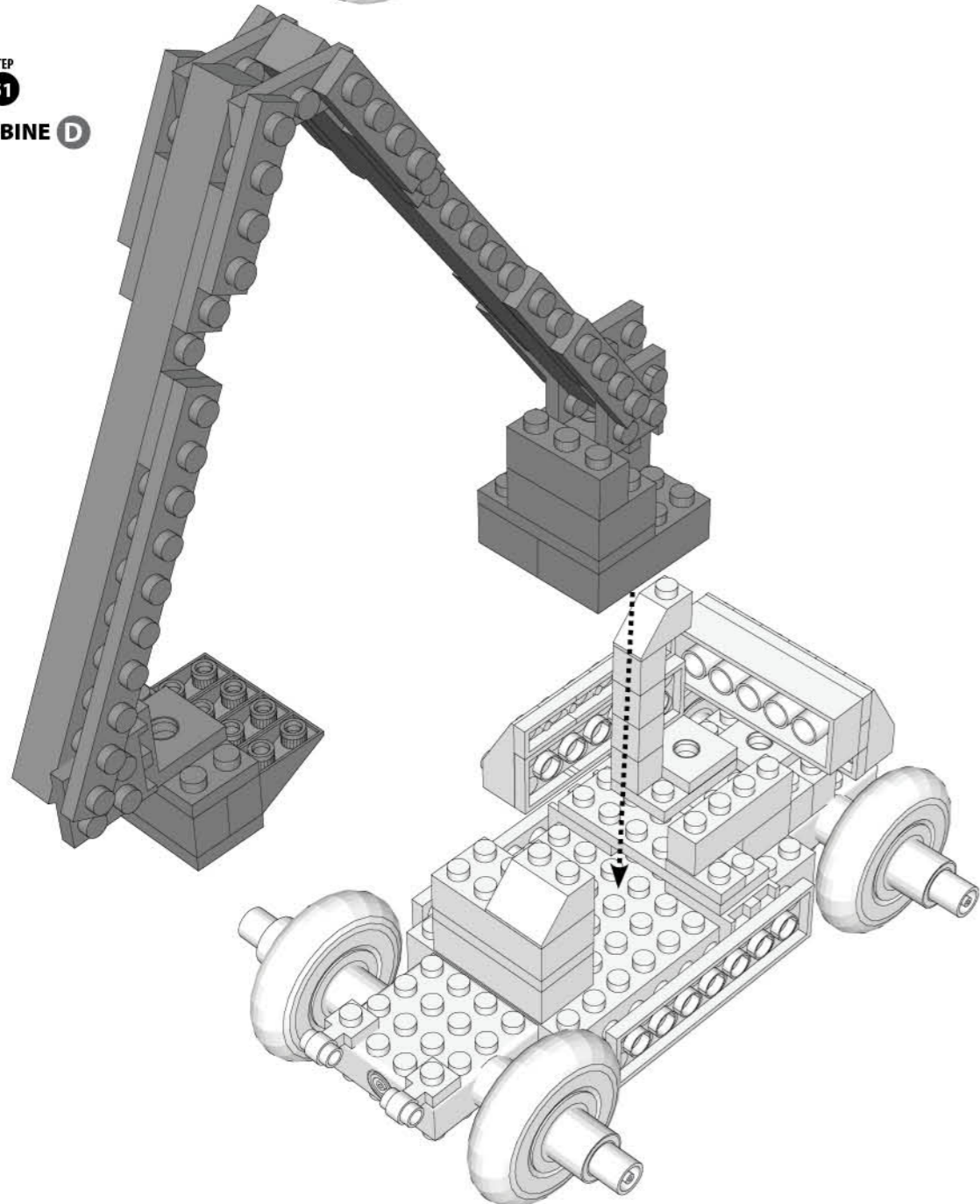
STEP
 50

COMBINE B

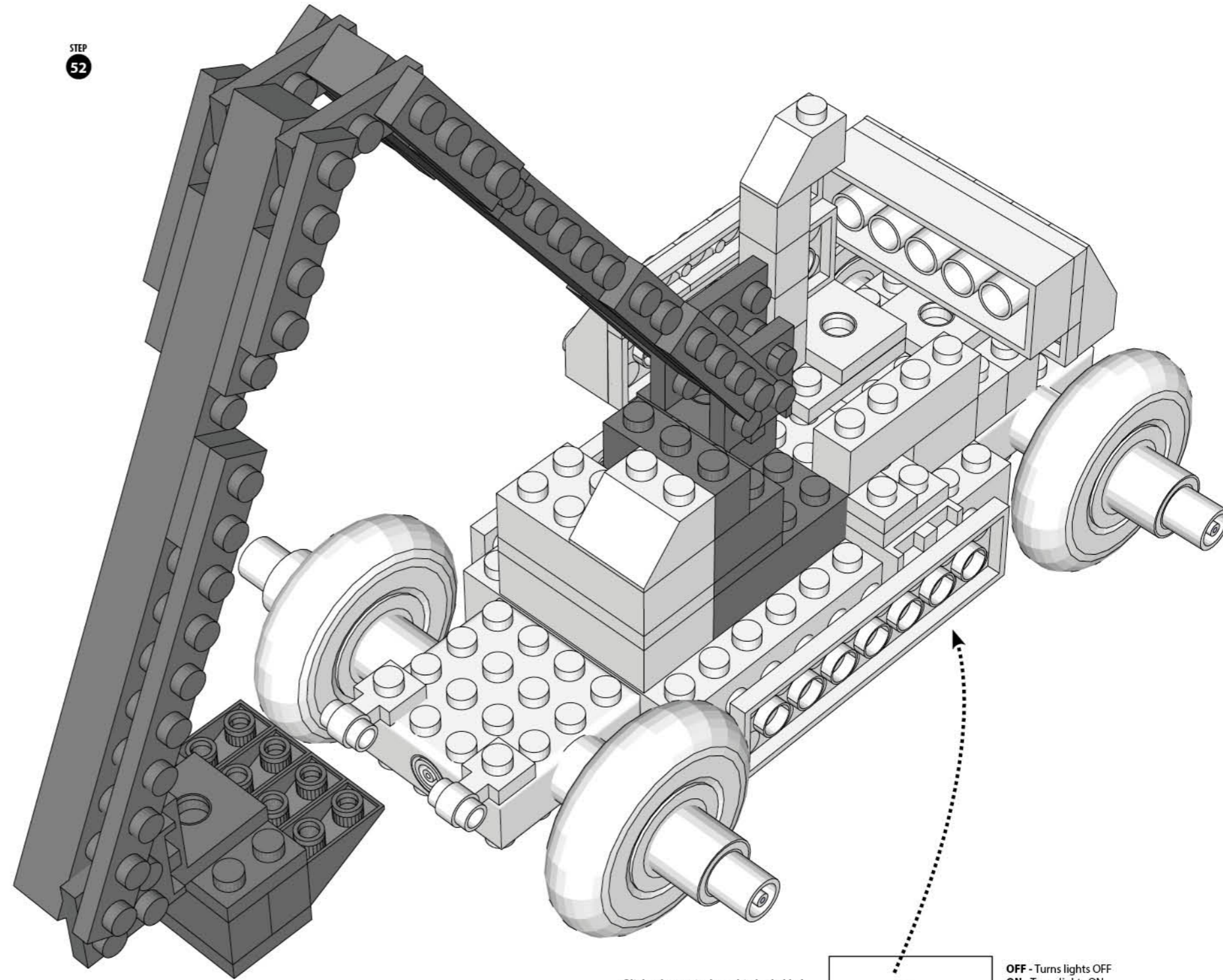


STEP
 51

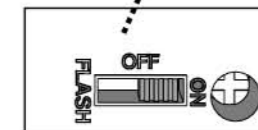
COMBINE D



STEP
 52



Slide the switch to Light It Up!



OFF - Turns lights OFF
 ON - Turns lights ON
 FLASH - Makes lights FLASH

Environmental Phenomena

* The unit may malfunction if subjected to radio-frequency interference. It SHOULD revert to normal operation when the interference stops. If not, it may become necessary to turn the power off and back on, or remove and reinstall the batteries. * In the unlikely event of an electrostatic discharge, the unit may malfunction and lose memory, requiring the user to reset the device by removing and reinstalling the batteries.

MADE IN CHINA

www.LaserPegs.com

Copyright 2014 © All Rights Reserved Global & Multiple Patents Pending.
 US Patent #7,731,558

LASER PEGS®

The Ultimate Construction Toy For Kids®

PBI420B

POWER BLOCK
Construction Series

Ages 5+

8 Models+
Any creation you can build

LIGHTED
MOBILE POWER BLOCK™ SET
INCLUDES:

- 100 Tinted Bricks
- 4 Tire Pegs
- 2 Square M-M Pegs
- 1 Mobile Power Block™

Requires 3 AAA Batteries

Batteries NOT Included

WARNING: CHOKING HAZARD—Small parts. Not for children under 3 yrs. Do not submerge in water.

DO NOT SUBMERGE IN WATER

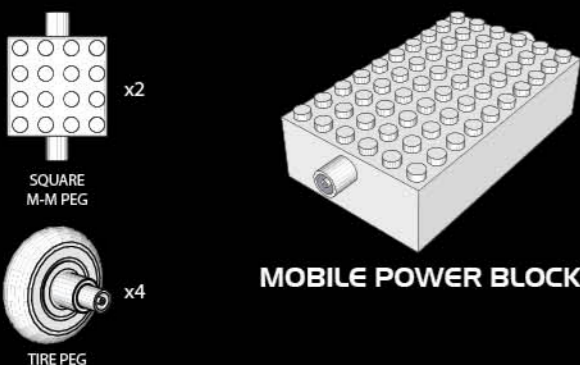
EN71, RoHS COMPLIANT

This product complies to all safety requirements of ASTM F 963

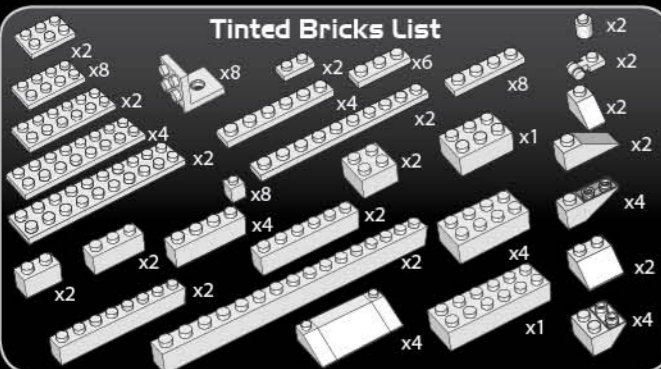
MODEL INSTRUCTIONS

All additional model instructions can be downloaded at www.LaserPegs.com

Laser Pegs® Parts List



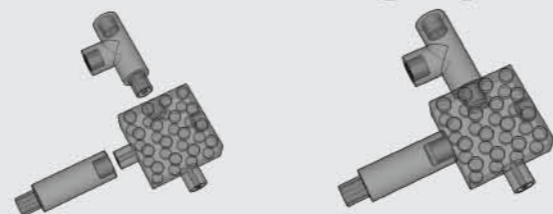
Color Code Each Laser Peg® is color coded on the circuit board inside each shape.



www.LaserPegs.com

This manual is copyright and cannot be reproduced or used online without Laser Pegs® Ventures LLC permission. Copyright 2014 © All Rights Reserved US Patent #7,731,558 Additional Global & Multiple Patents Pending. Laser Pegs® Ventures LLC, 8304 Consumer Ct., Sarasota FL 34240. Contact: Support@LaserPegs.com

Connecting Pegs



To construct with Laser Pegs®, slide two pieces together to form a connection. Slide each piece on and off smoothly.

POWER BLOCK

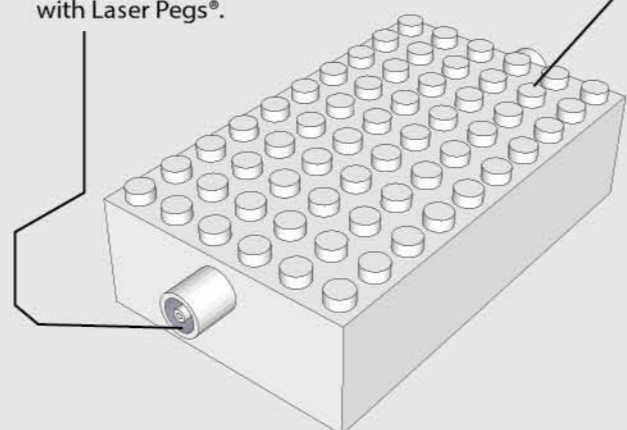
The Power Block is a Power Base that allows you to build with Laser Pegs® and construction parts to build models that light up. It is battery operated. (BATTERIES NOT INCLUDED.)

Laser Pegs® Connections

Allows you to construct with Laser Pegs®.

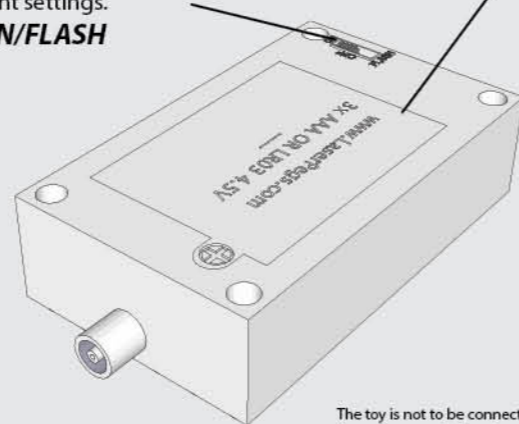
Construction Part Connections

Allows you to connect to other construction kits.



Power Switch

Move the Power Switch to cycle through the Power Block light settings.
OFF/ON/FLASH

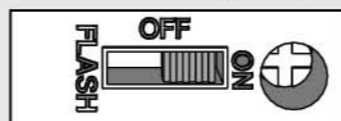


Battery Compartment

Requires 3-AAA Batteries (Batteries Not Included)

LIGHT SETTINGS

OFF - Turns lights OFF
ON - Turns lights ON
FLASH - Makes lights FLASH



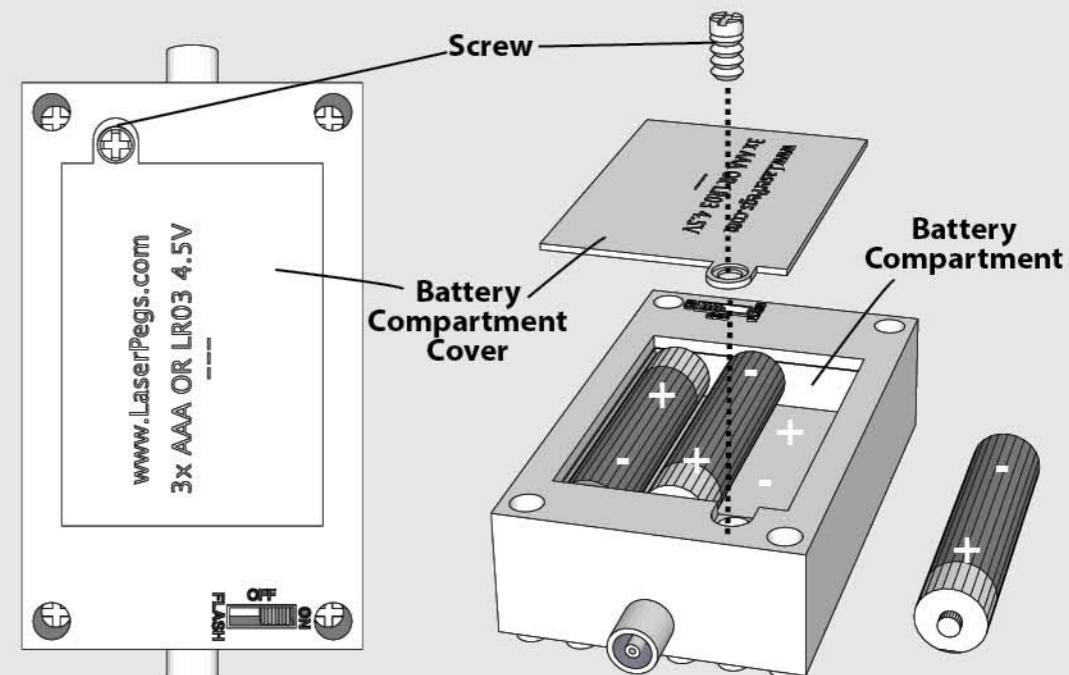
WARNING: STROBE LIGHTS MAY CAUSE SEIZURES

WARNING! Each Laser Peg® draws current from the batteries. Therefore, the more pegs you use, the quicker you will deplete your battery power! As the power weakens, the current will slowly fail and some Laser Pegs® will illuminate (typically the reds and yellows) and some won't. When the Laser Pegs® dim, the Laser Pegs® are not broken, they just need stronger batteries. You have 2 simple options...
1. Change the batteries.
2. Use high quality batteries. They will last a little longer, but they will still deplete rapidly the more Laser Pegs® you connect!

Replacing Batteries

1. Remove Screw.
2. Lift off Battery Compartment Cover.
3. Place three (3) AAA batteries in the correct position - as displayed inside of the Power Block.
4. Replace Battery Compartment Cover and Screw.
5. Slide Power Switch setting to OFF/ON/FLASH.
6. Do not mix old and new batteries.
7. Do not mix alkaline, standard (carbon-zinc), or rechargeable (nickel-cadmium, NiMH) batteries!
8. Exhausted batteries are to be removed from the power base.
9. Never connect more than 30 Laser Pegs® at one time!
10. Non-rechargeable batteries are not to be recharged.
11. Rechargeable batteries are only to be recharged under adult supervision.
12. Rechargeable batteries are to be removed from the toy before being recharged.
13. Batteries are to be inserted with the correct polarity.
14. The supply terminals are not to be short-circuited.
15. DO NOT THROW BATTERIES INTO FIRE!

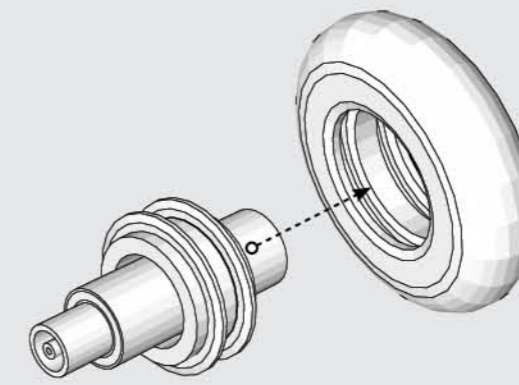
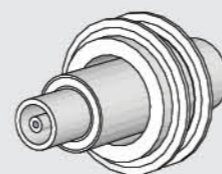
Remove the Phillips head screw with a 4mm screw driver.
Requires 3-AAA Batteries
Batteries NOT Included



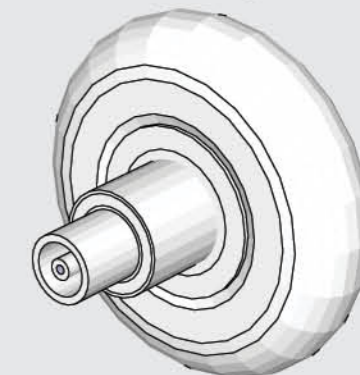
Connecting the Laser Pegs® Tire to the Axle Peg



Place Axle Peg through the Tire



Tire Peg

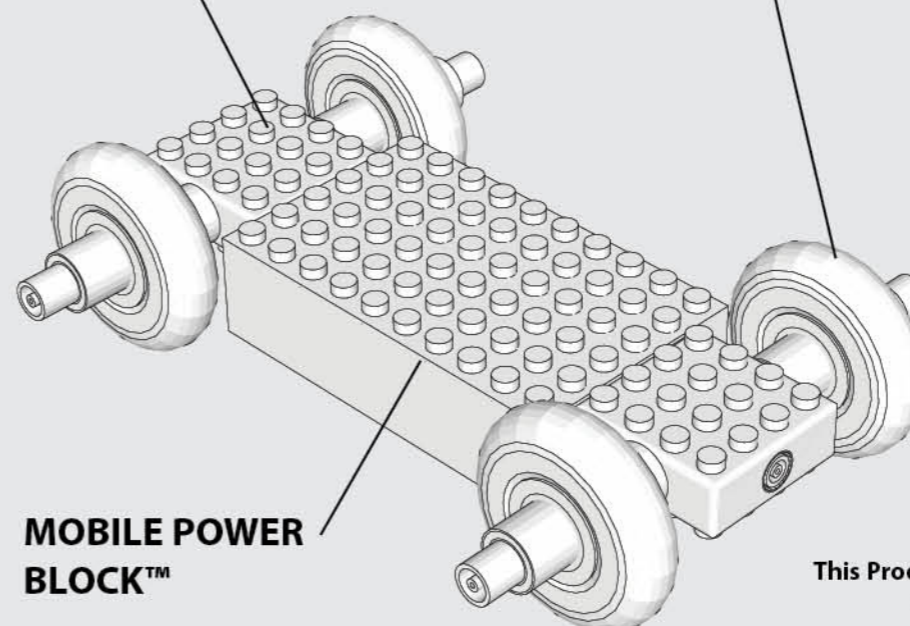


POWER BLOCK™

Use the Laser Pegs® Square M-M Peg to attach the Tire Pegs to the Power Block™.

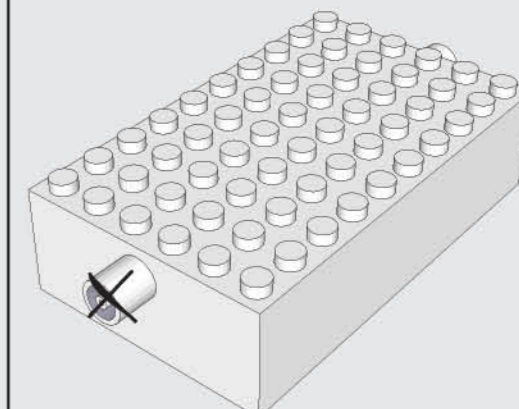
Laser Pegs® Square M-M Peg

Tire Peg



AVOID DAMAGE TO PEG HOLES

*To avoid short-circuits, keep metal objects and other unauthorized materials from obstructing the peg holes.



Never connect more than 30 Laser Pegs® to the Power Block at one time.

This Product contains a button battery. If swallowed, it could cause severe injury or death in just 2 hours. Seek medical attention immediately.

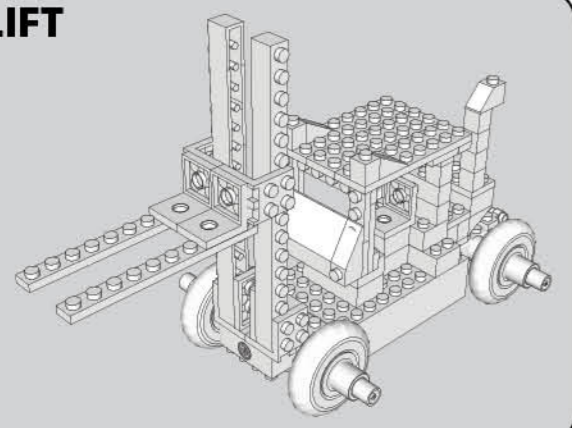
FORKLIFT: Also called a lift truck, or a fork truck, a forklift is a powered industrial truck used to lift and move materials short distances.



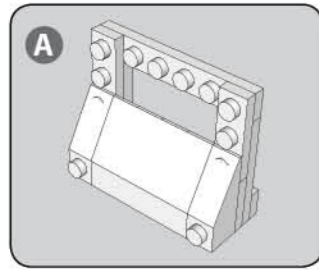
FORKLIFT

Model
Difficulty
Level

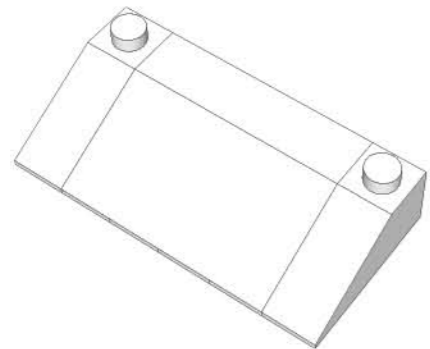
3



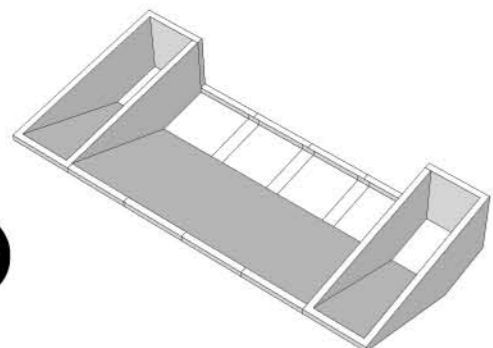
The TRY-ME mechanism is for display purposes ONLY and should be discarded as per state and local regulations. It is NOT intended to be used for the building of this model.



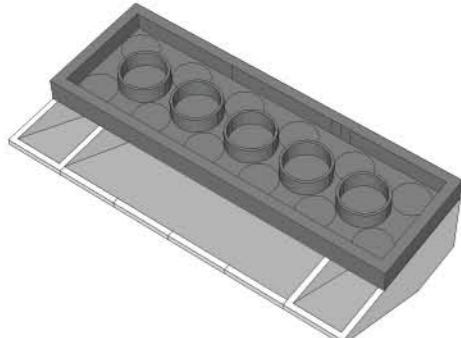
STEP 1



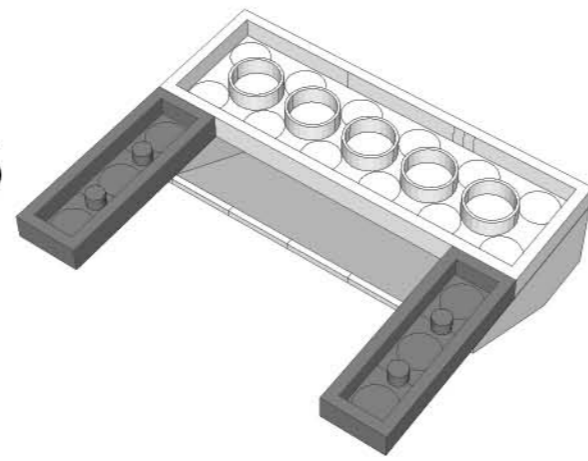
STEP 2



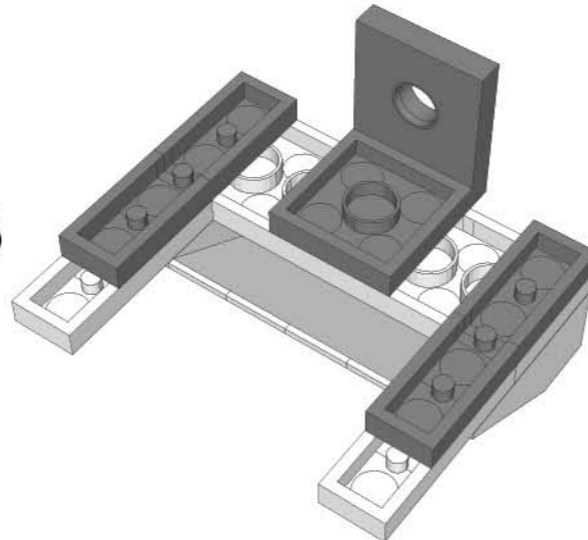
STEP 3



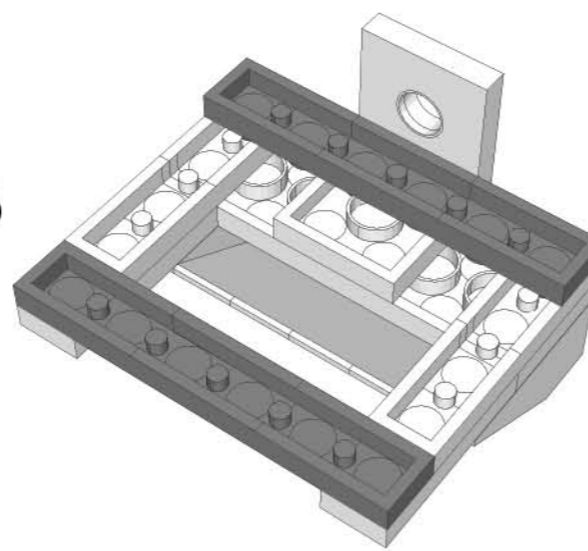
STEP 4



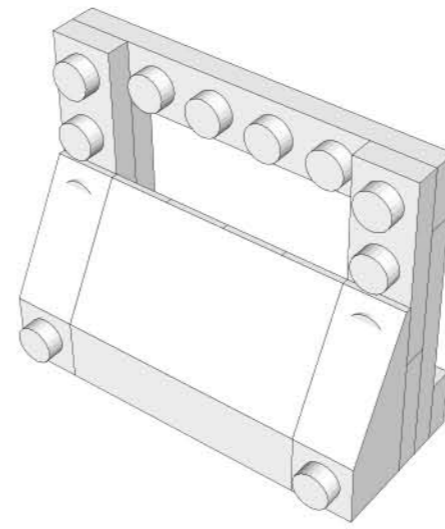
STEP 5



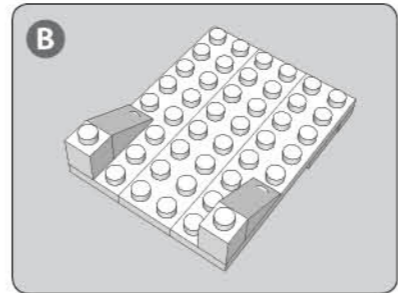
STEP 6



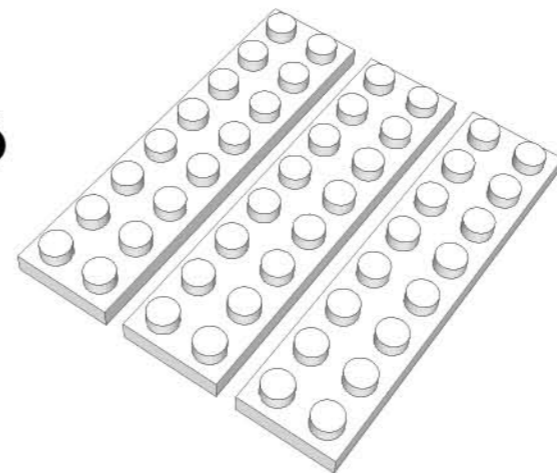
STEP 7



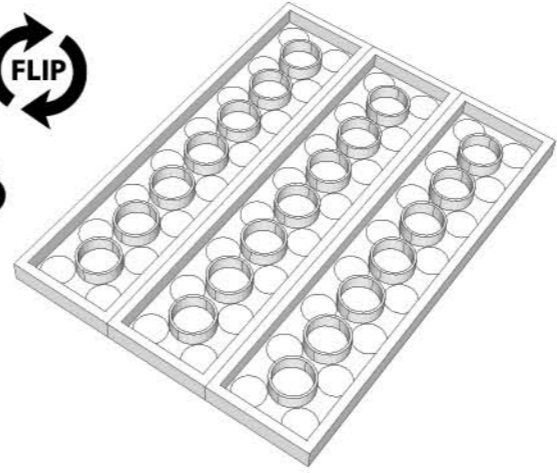
B



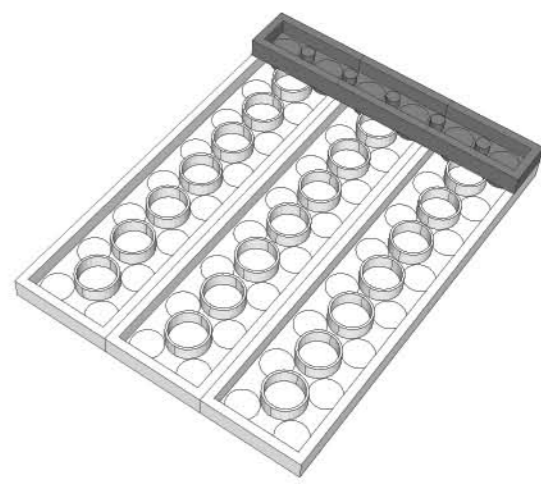
STEP 8



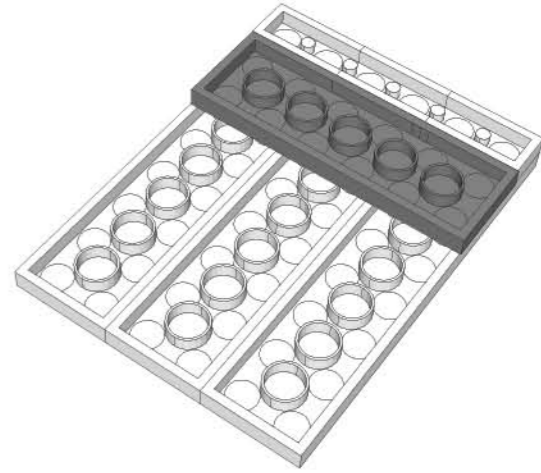
STEP 9



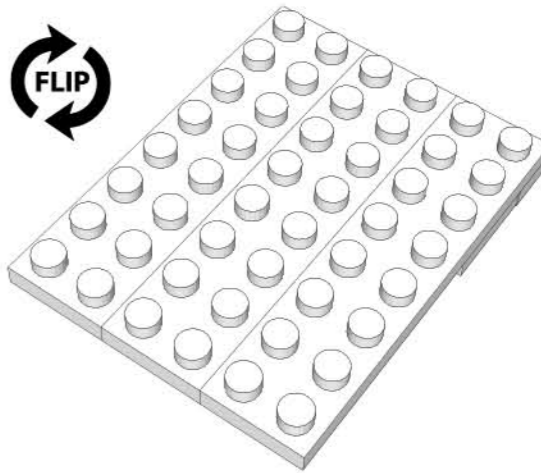
STEP 10



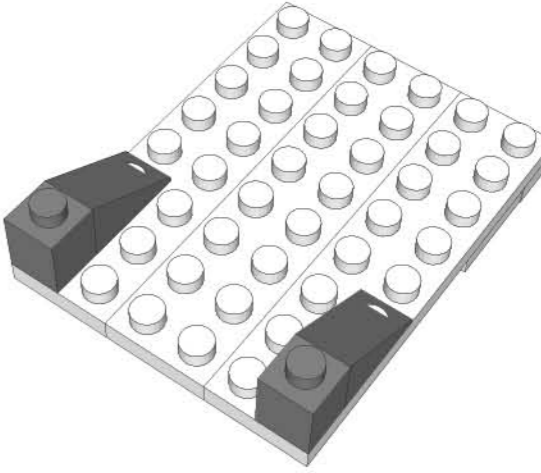
STEP 11

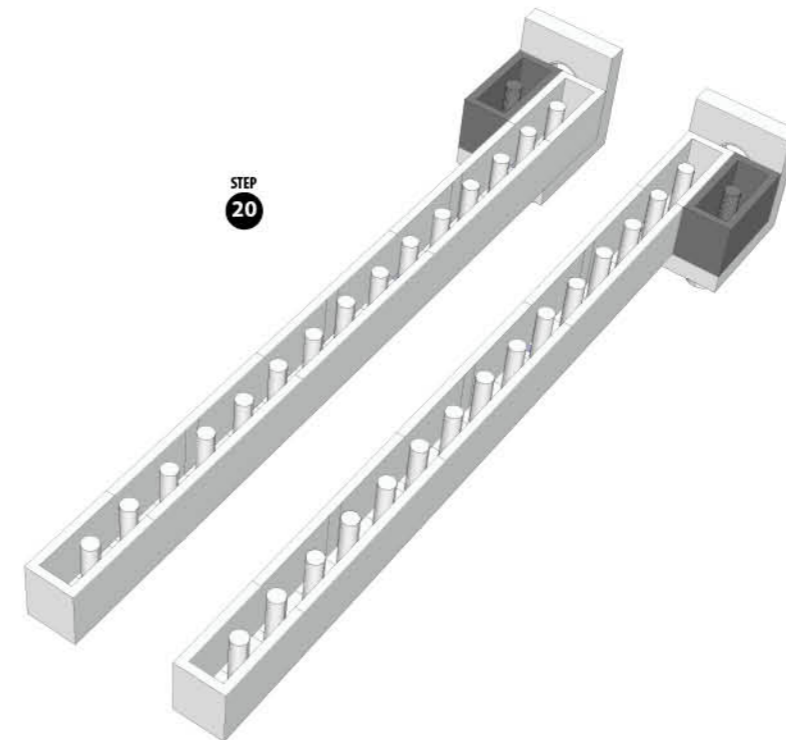
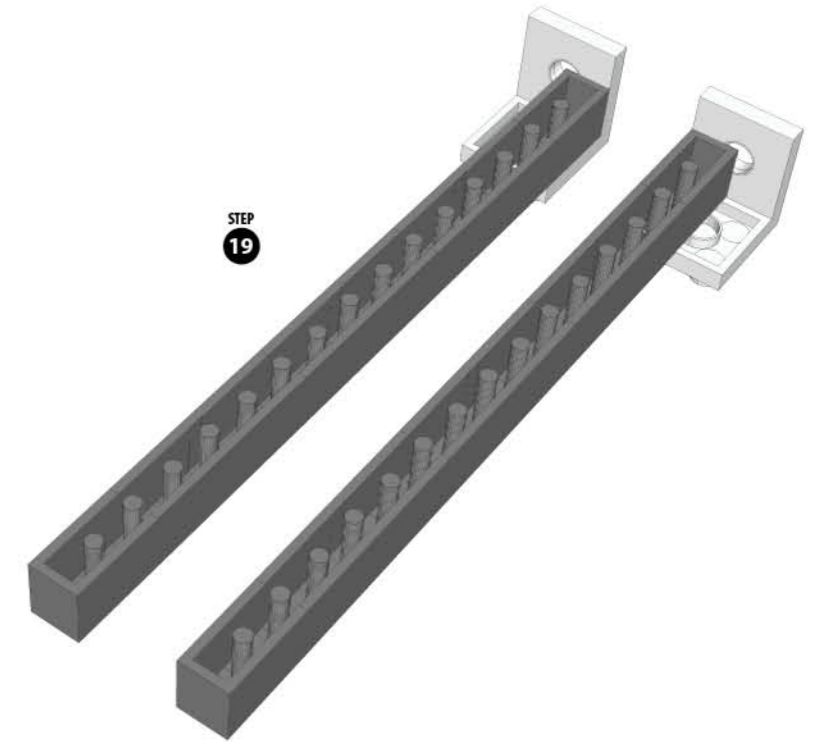
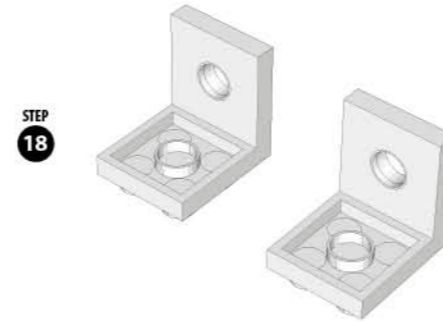
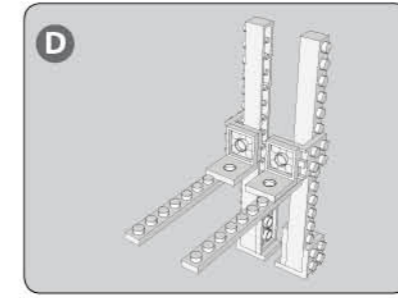
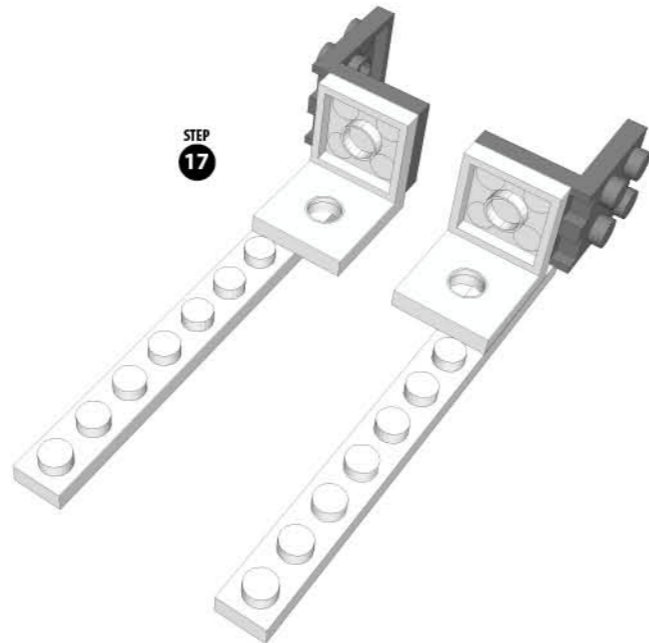
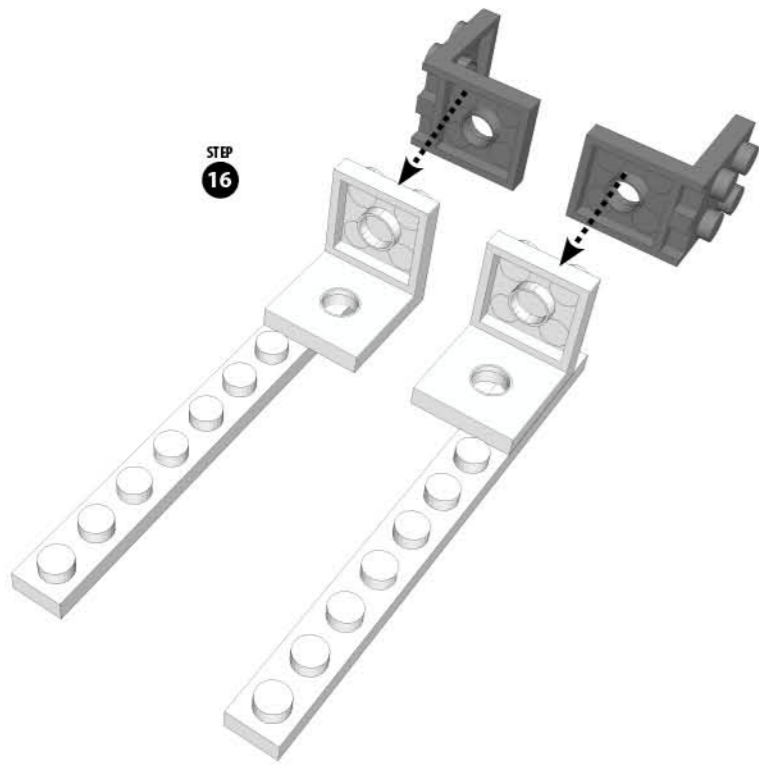
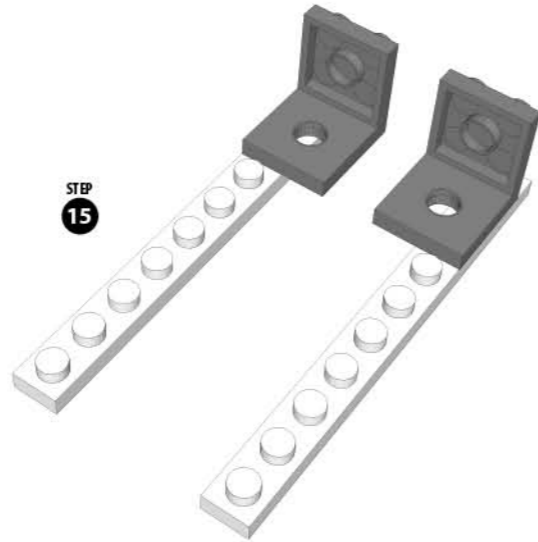
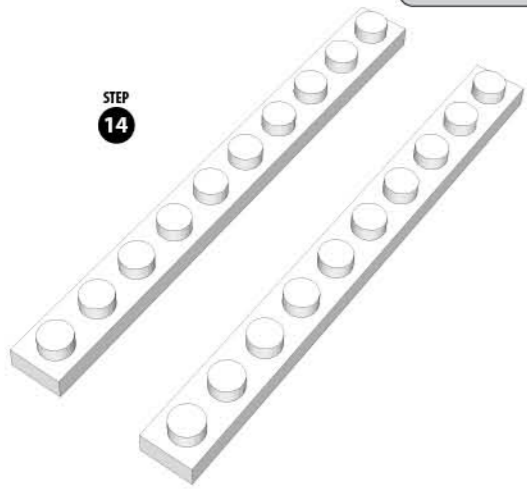
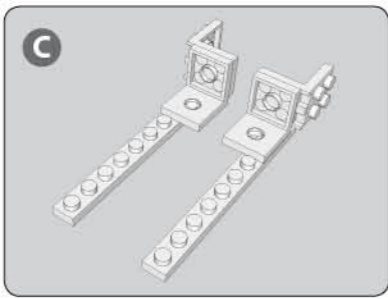


STEP 12

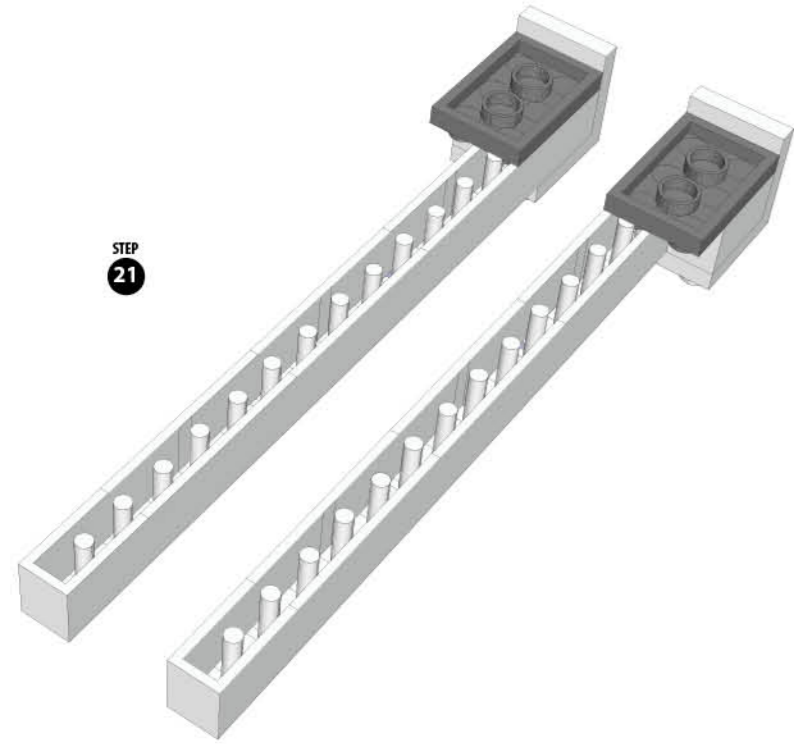


STEP 13



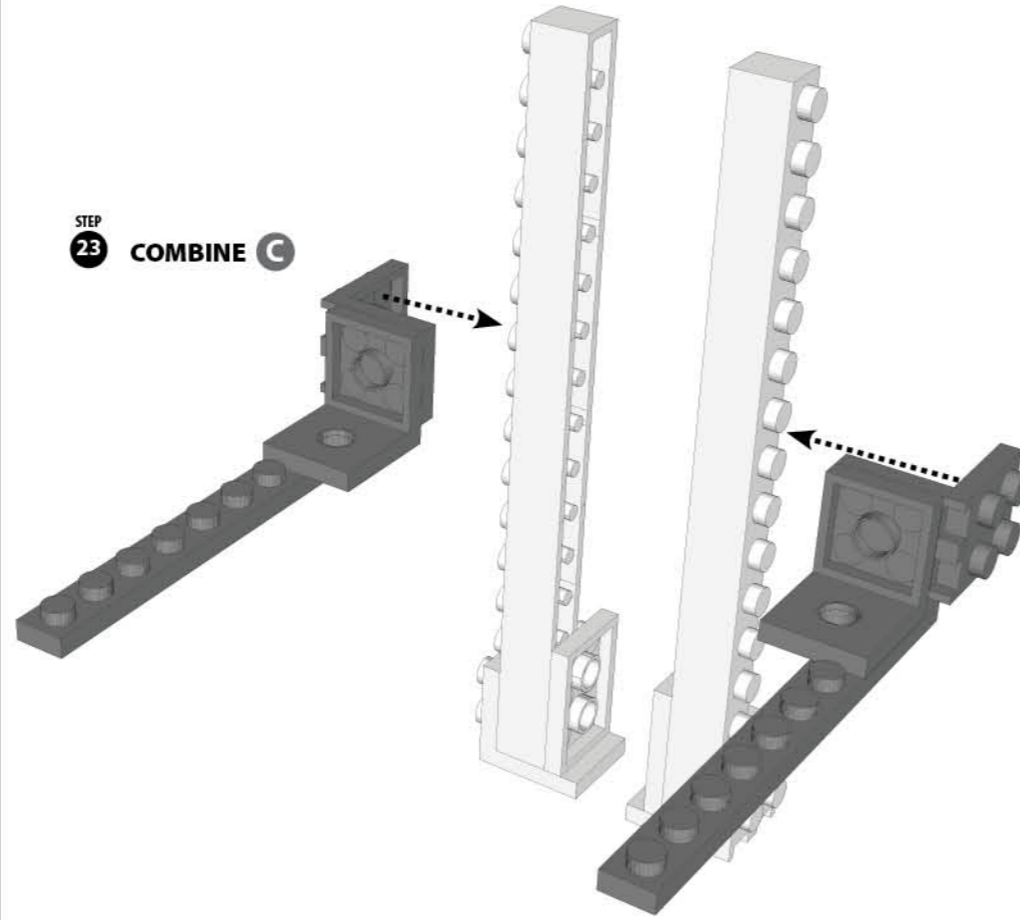


STEP 21

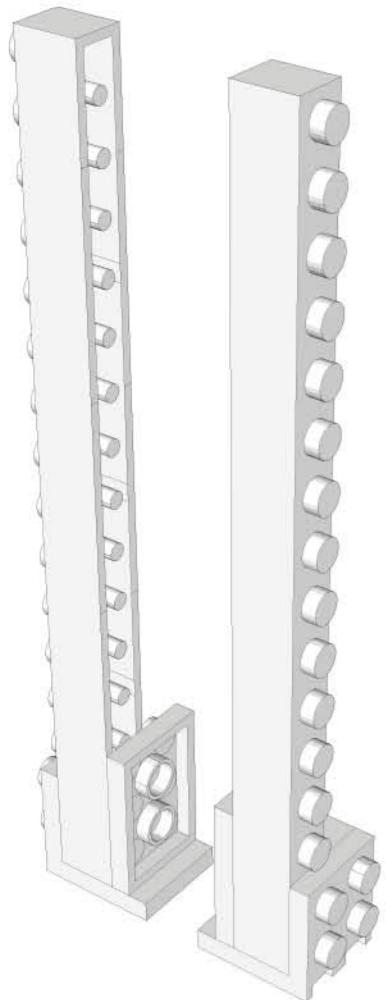


STEP 23

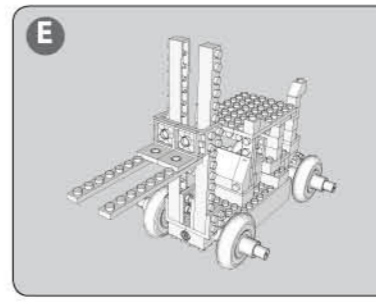
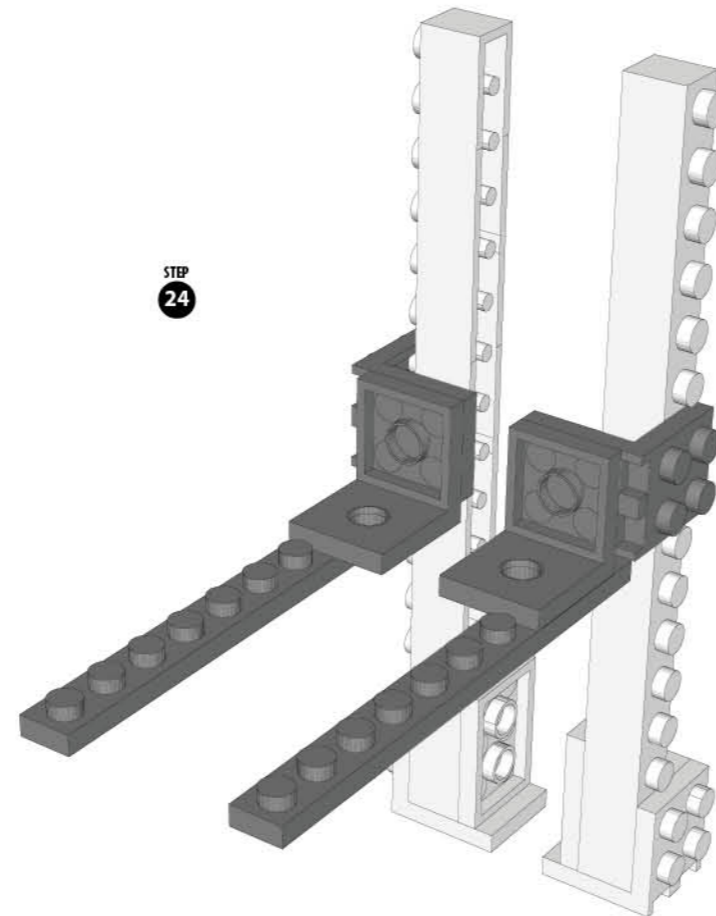
COMBINE C



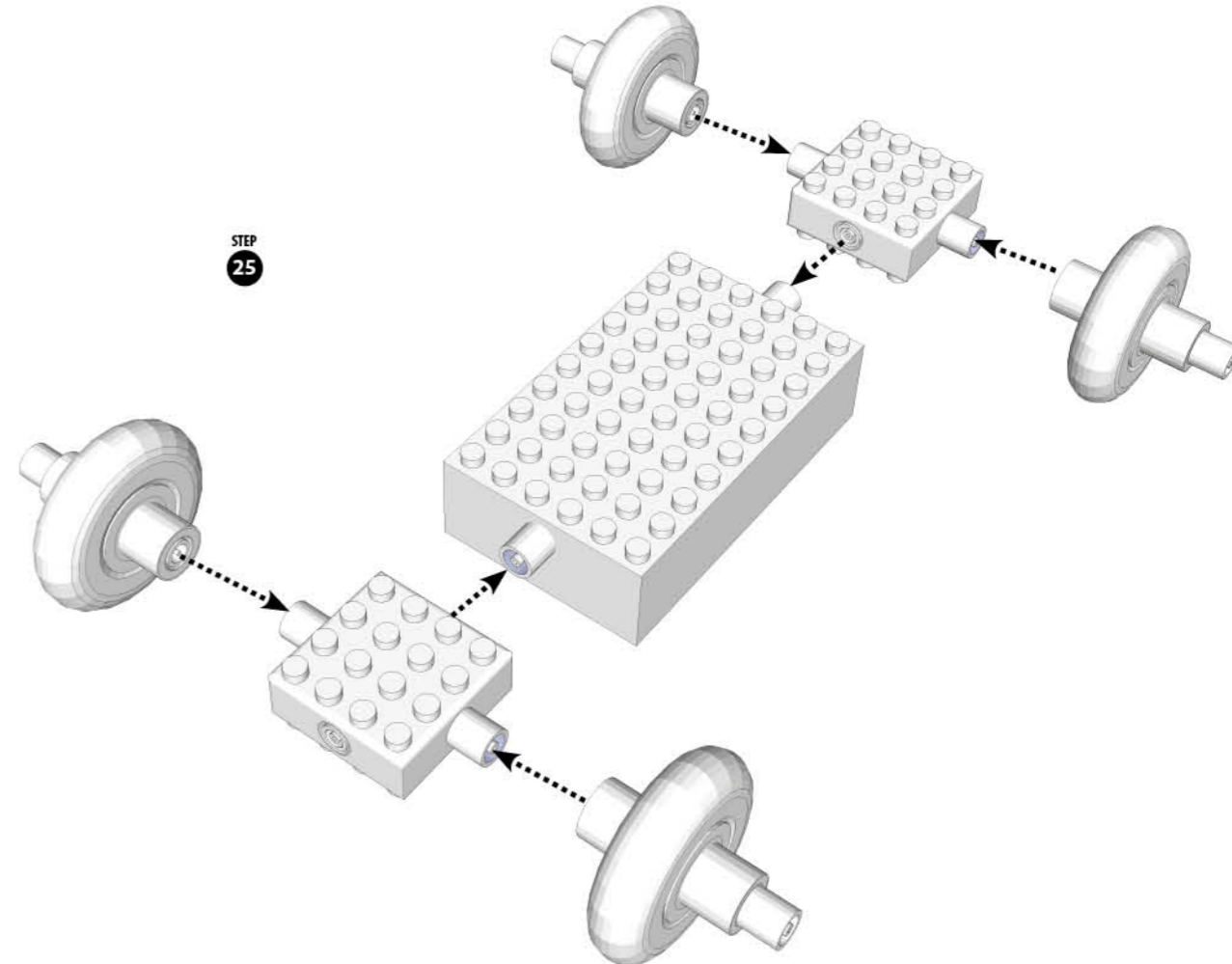
STEP 22



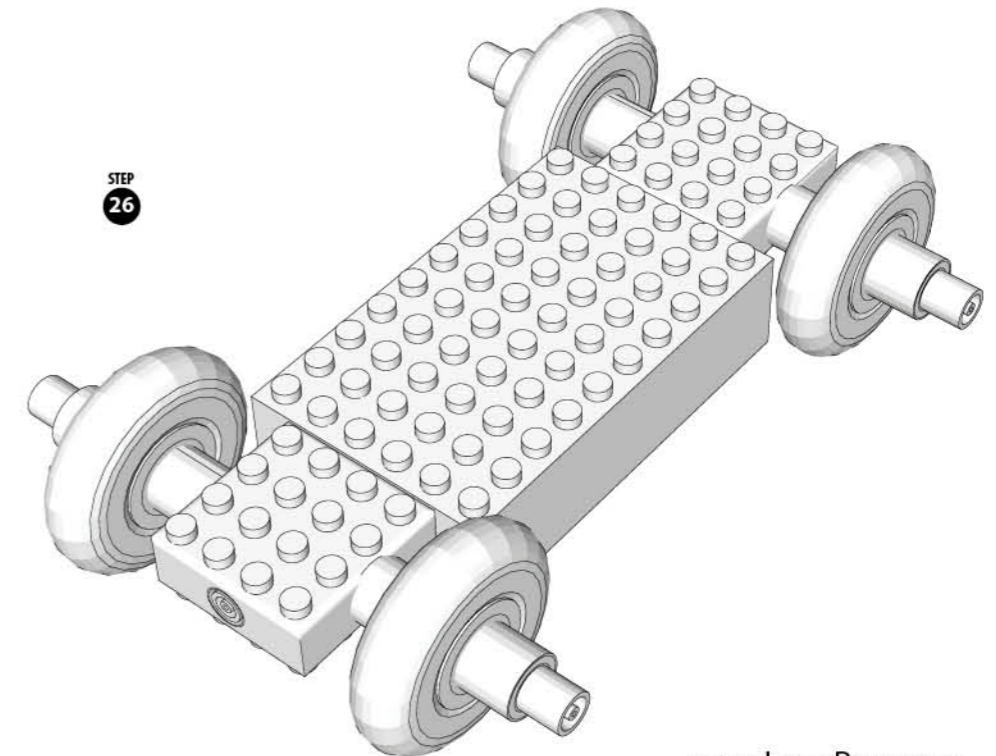
STEP 24



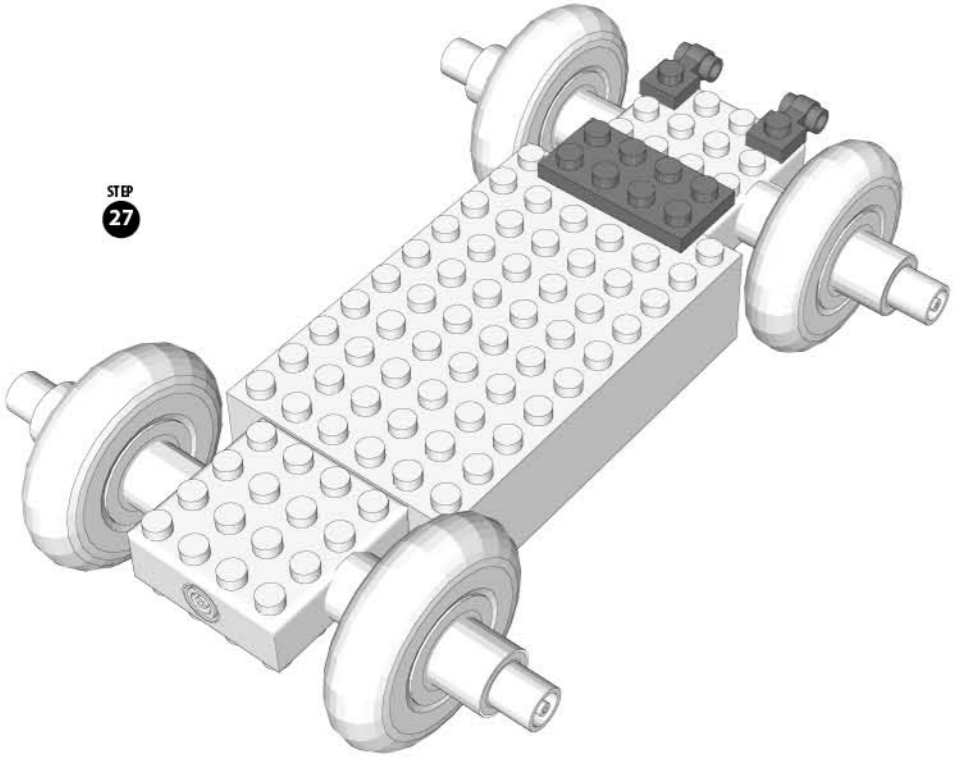
STEP 25



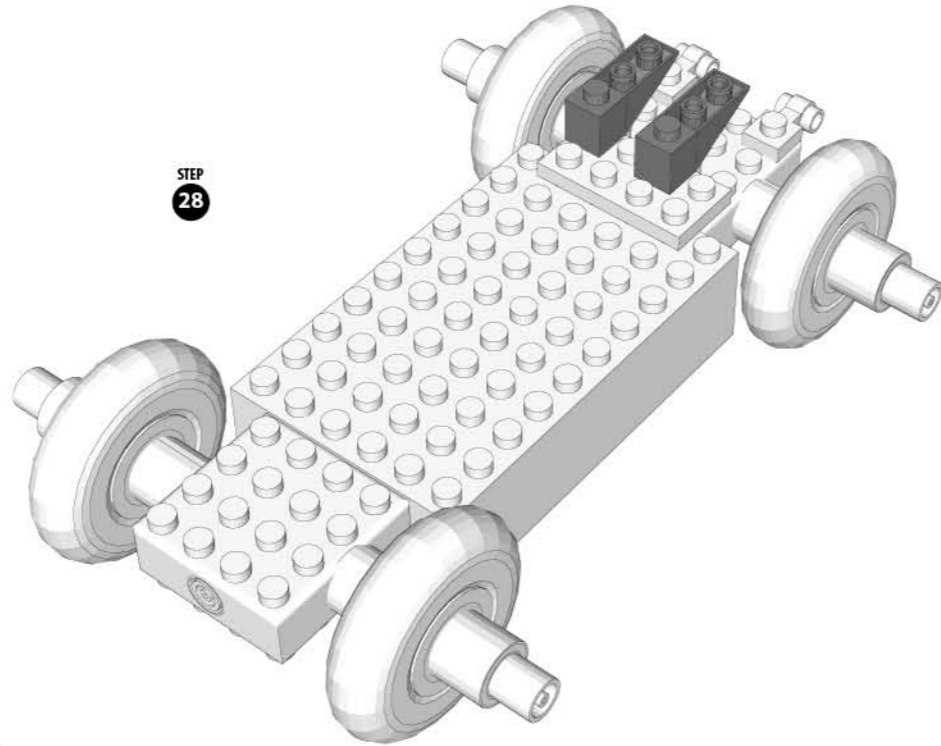
STEP 26



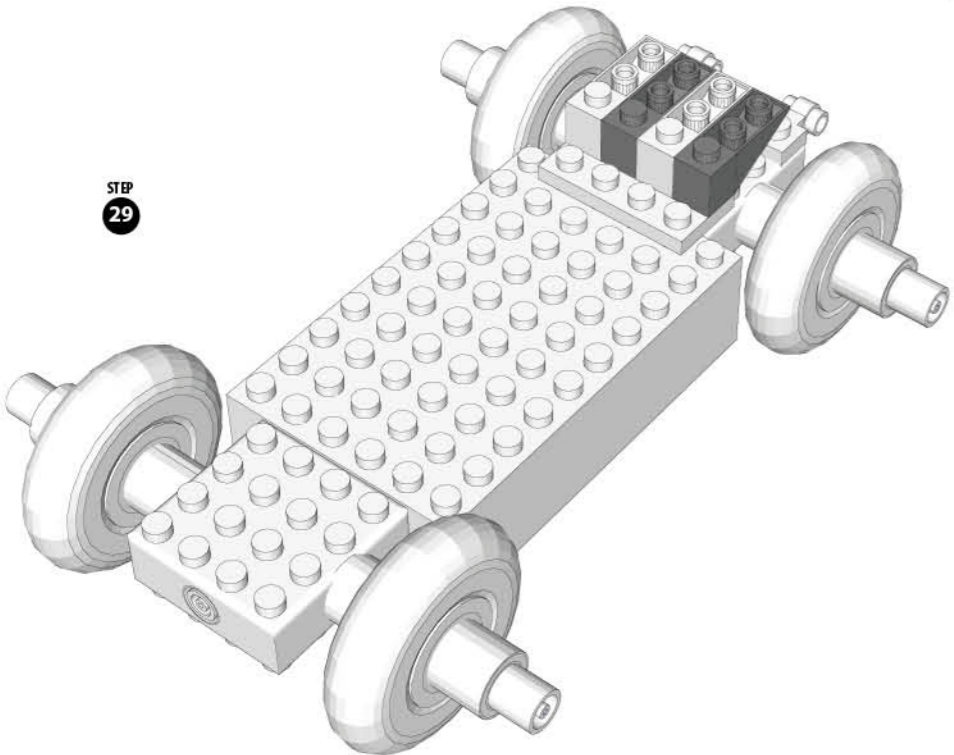
STEP
27



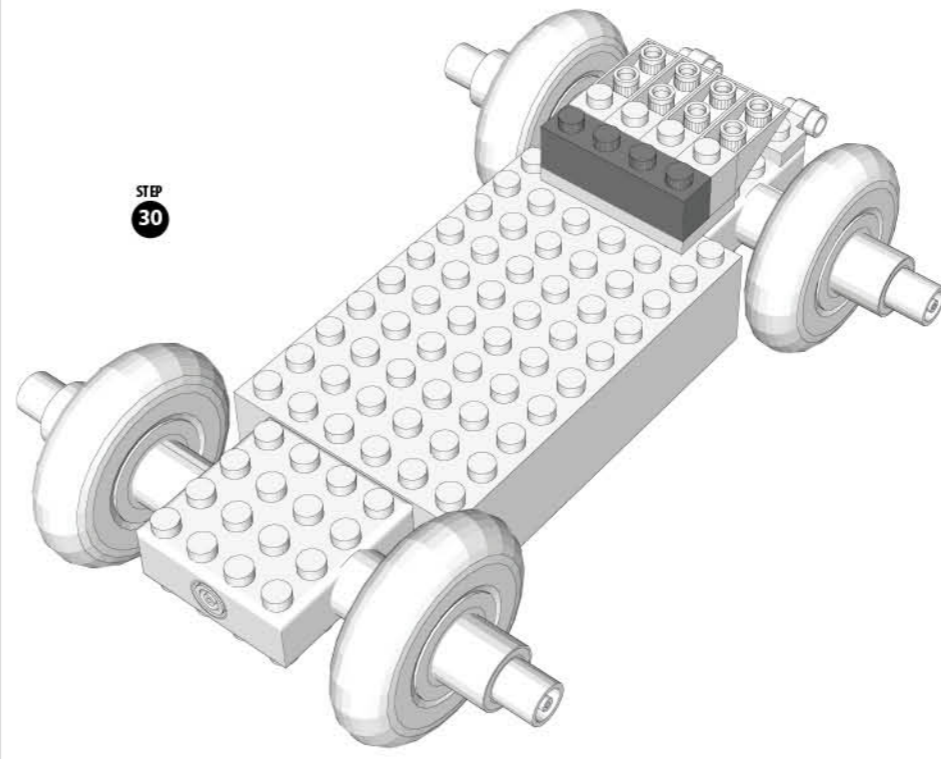
STEP
28



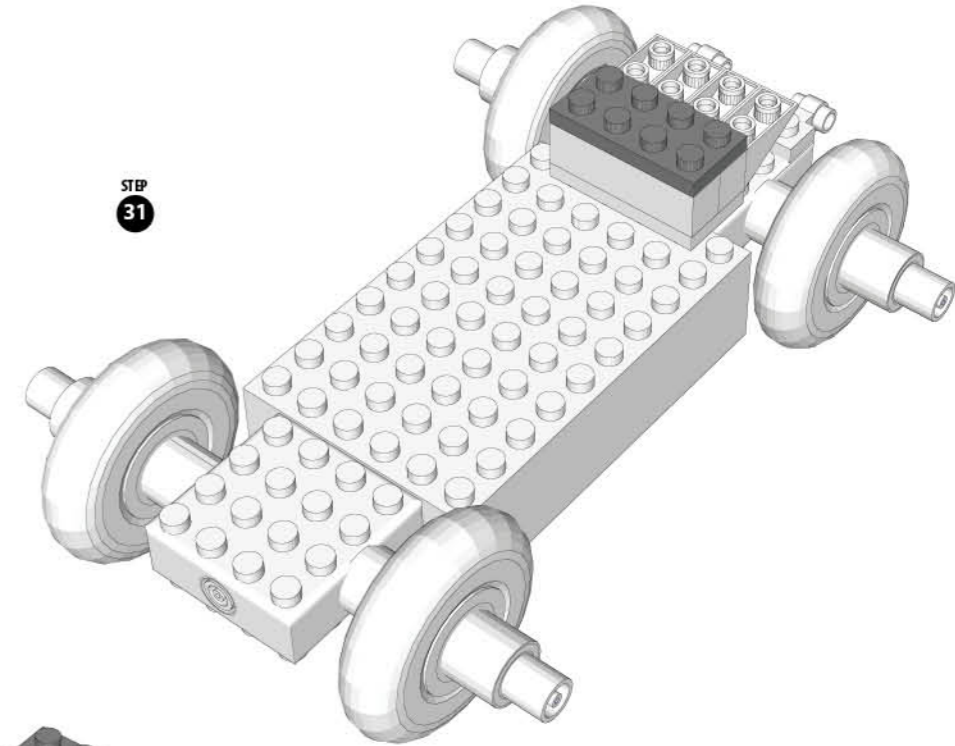
STEP
29



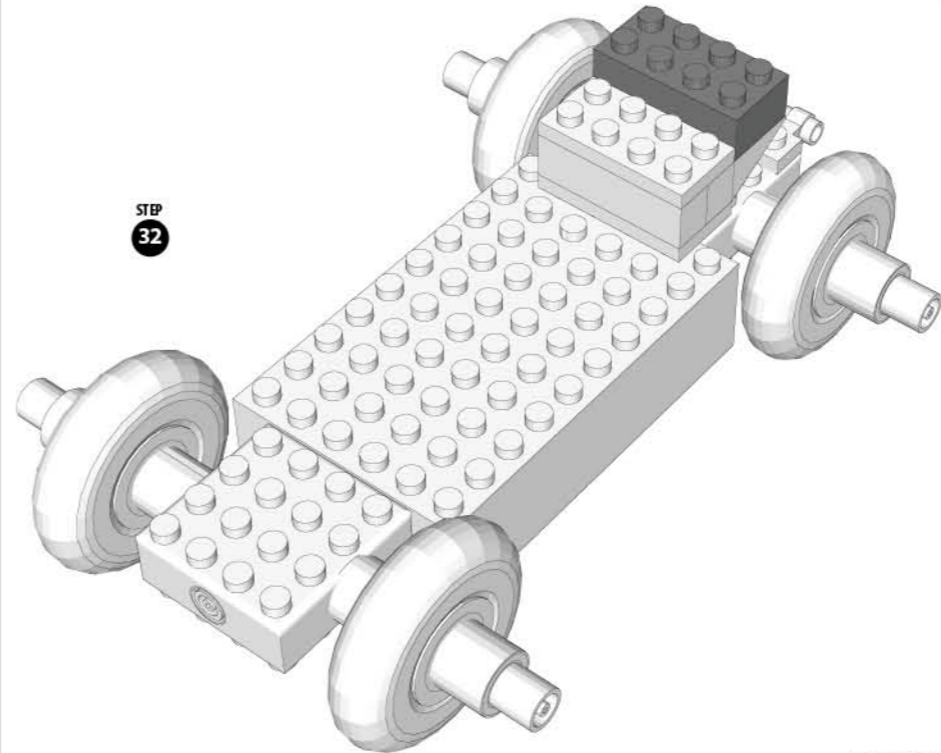
STEP
30



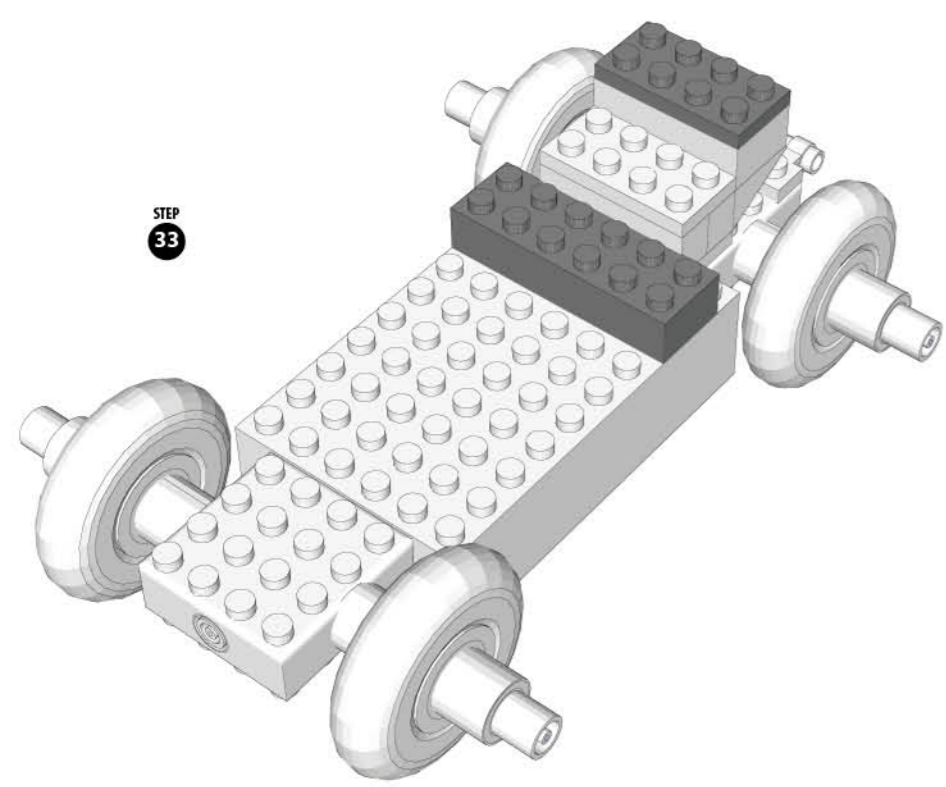
STEP
31



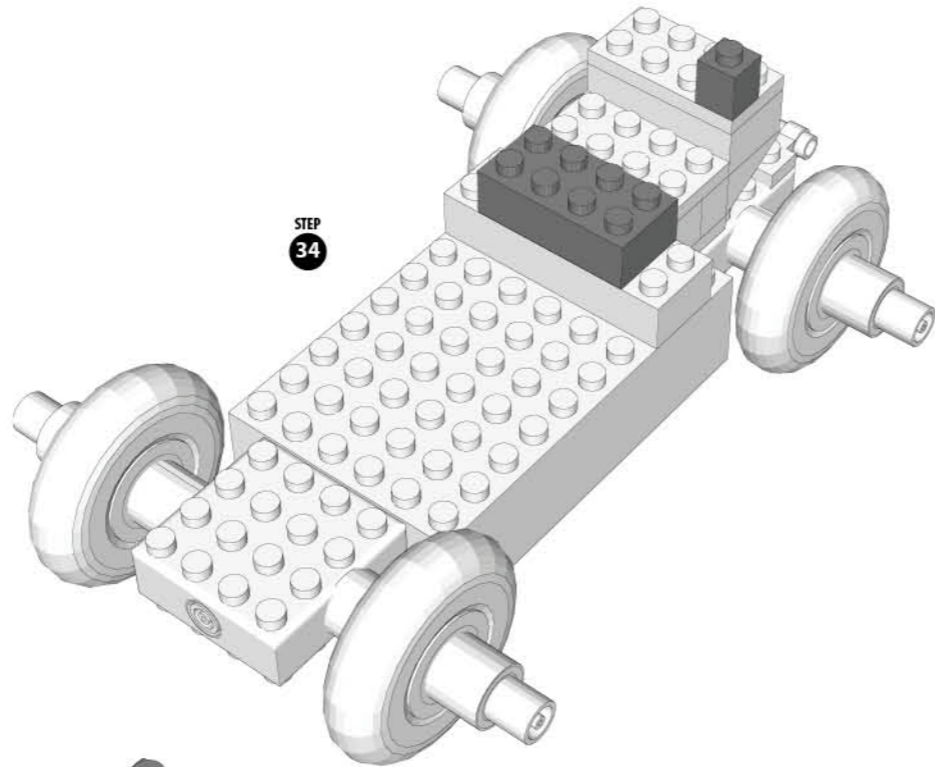
STEP
32



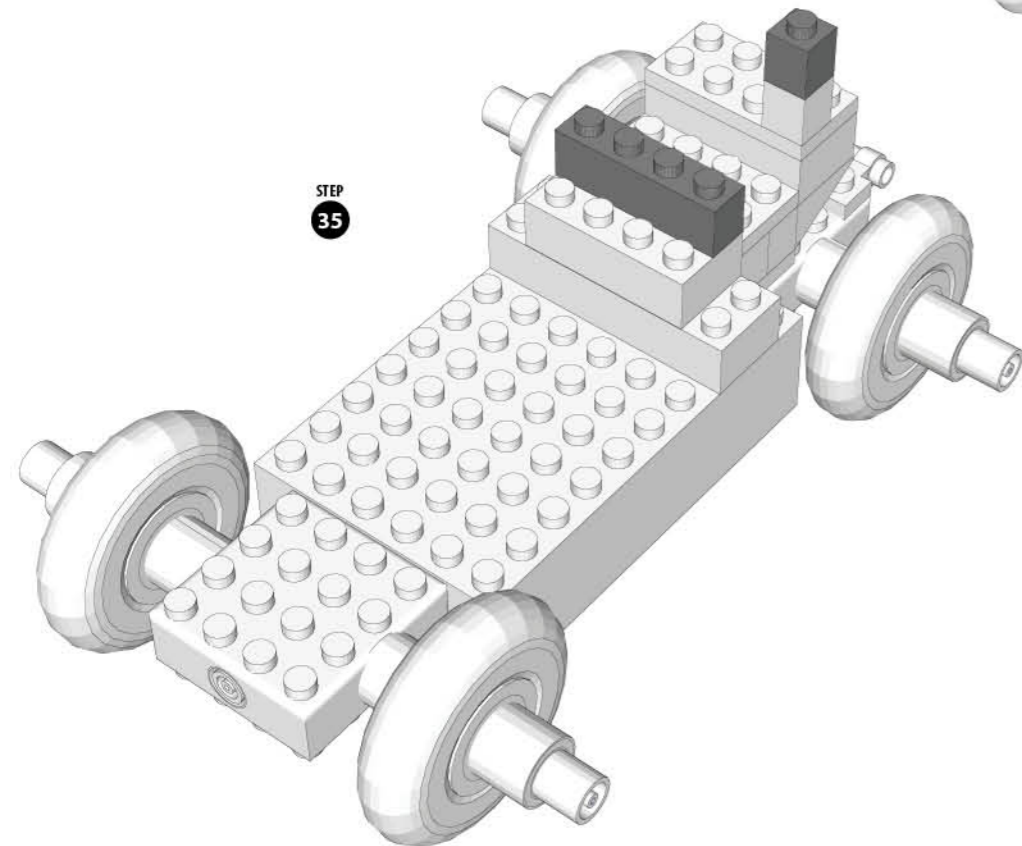
STEP
33



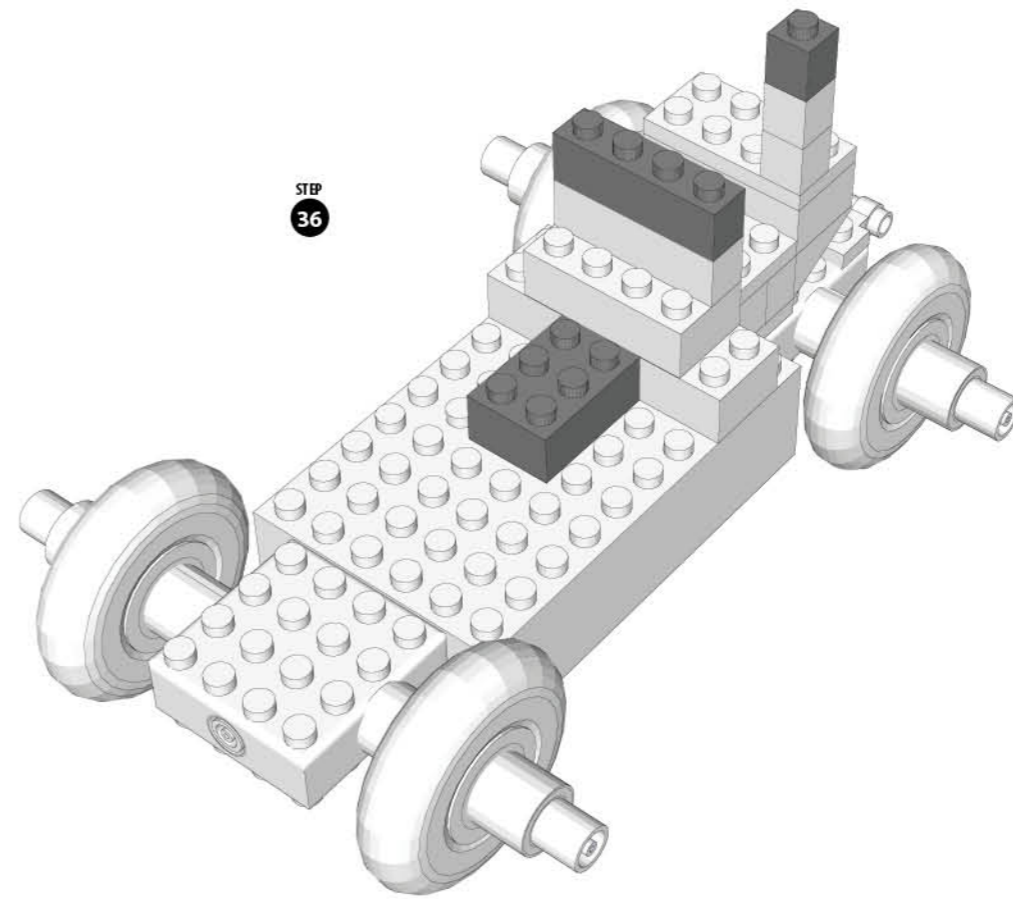
STEP
34



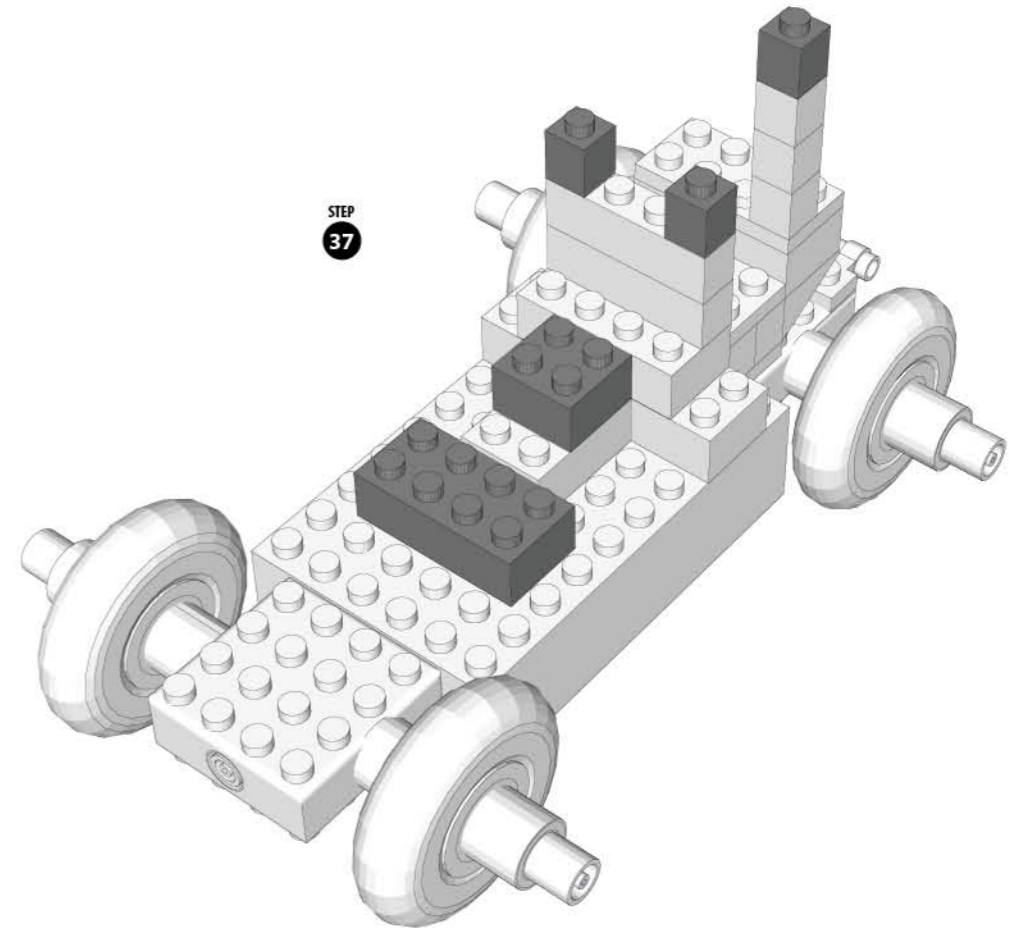
STEP
35



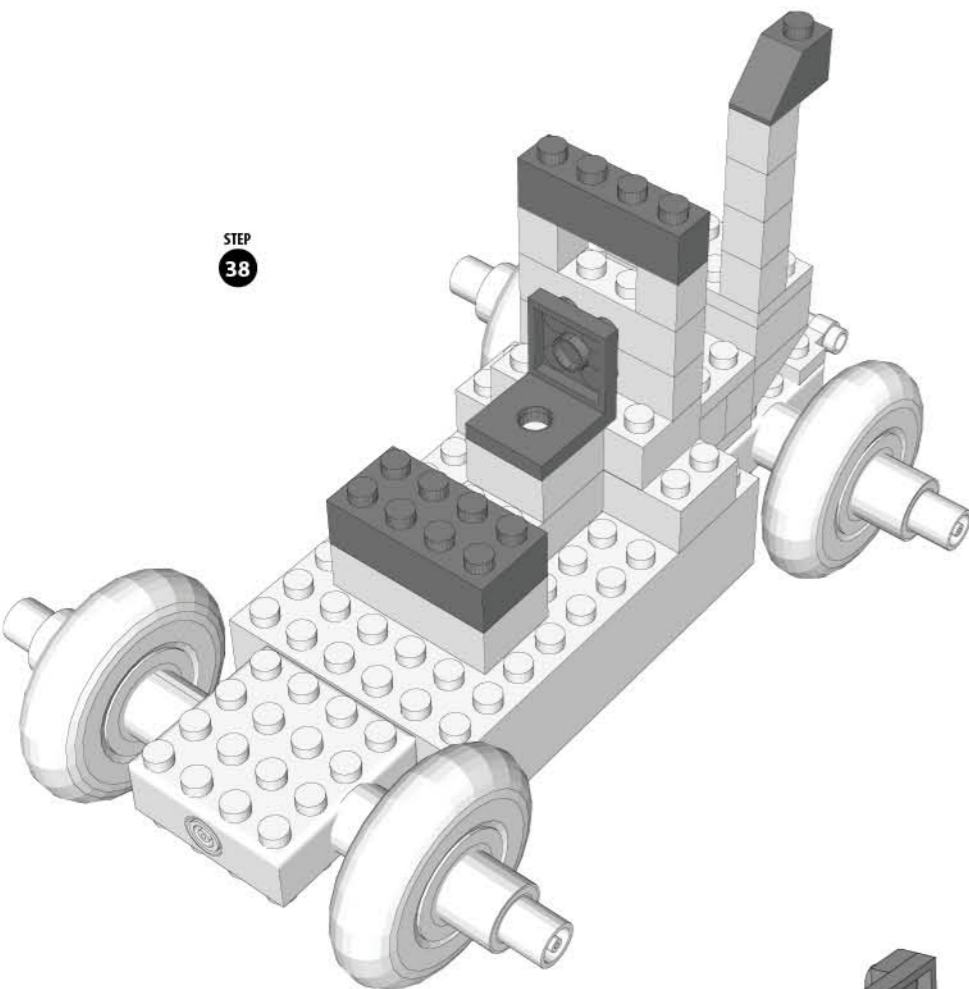
STEP
36



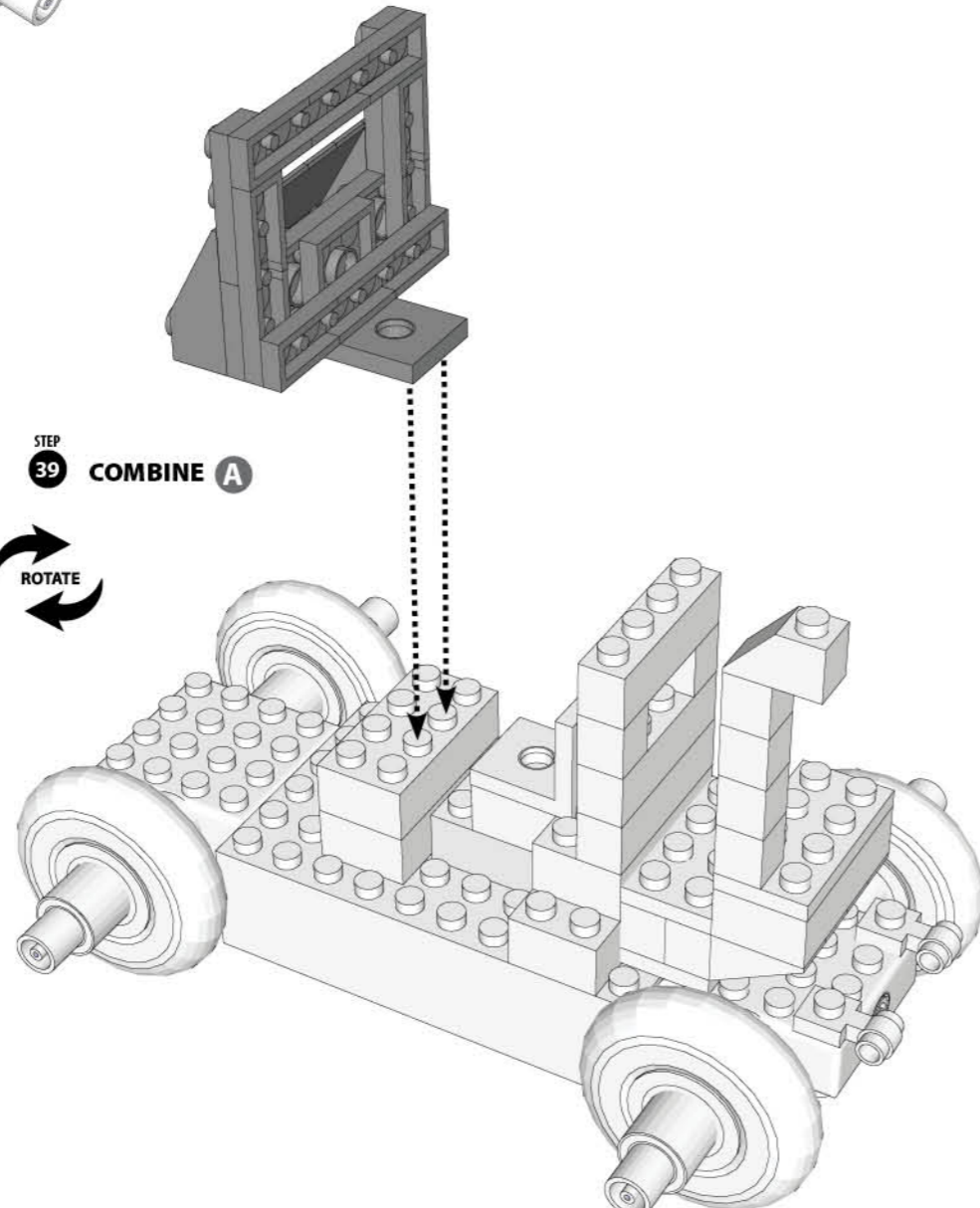
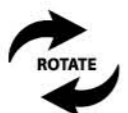
STEP
37



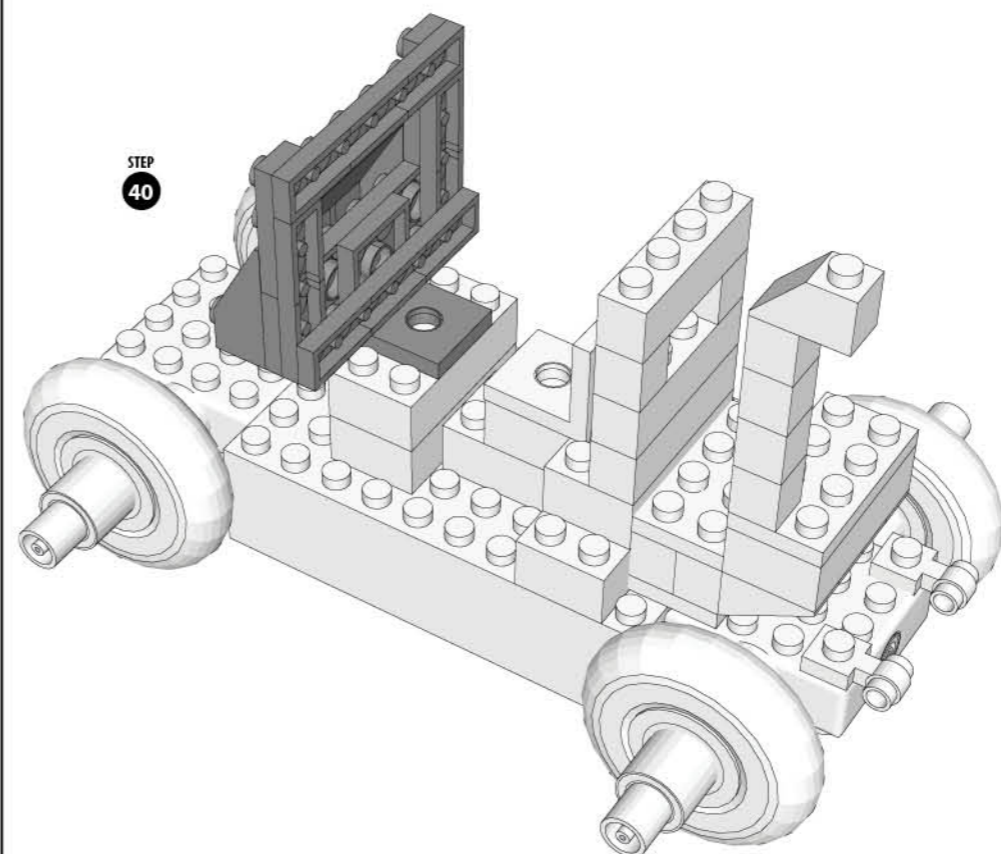
STEP
38



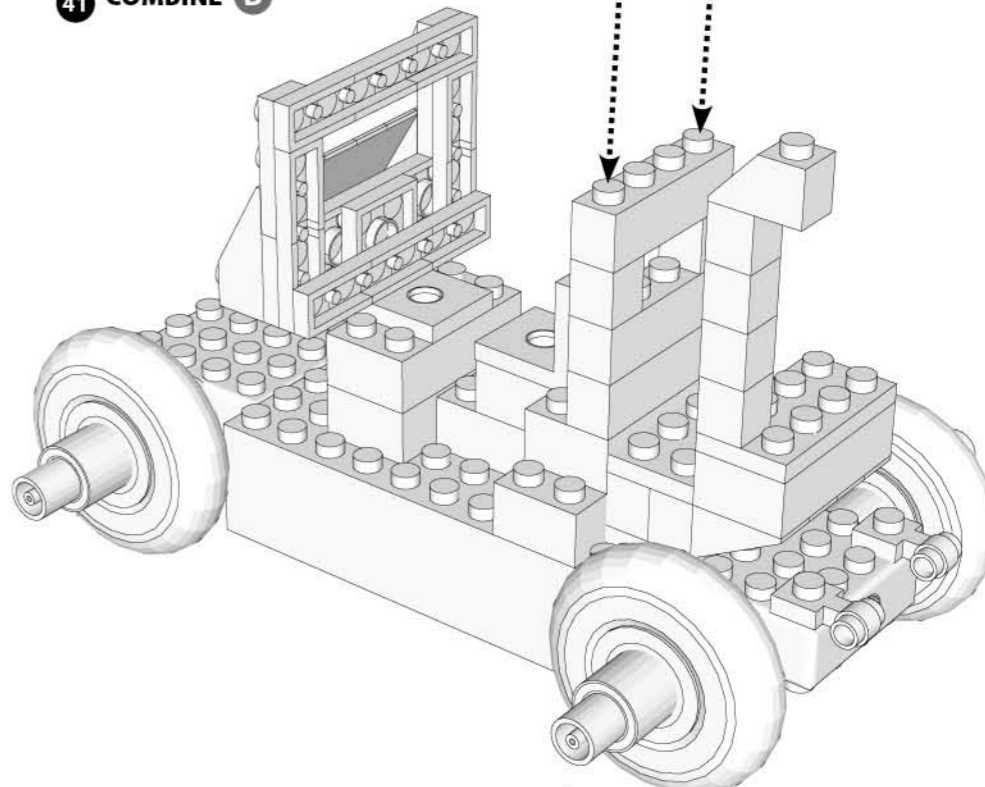
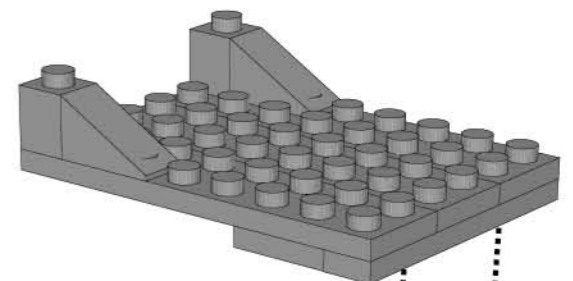
STEP
39 COMBINE A



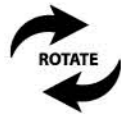
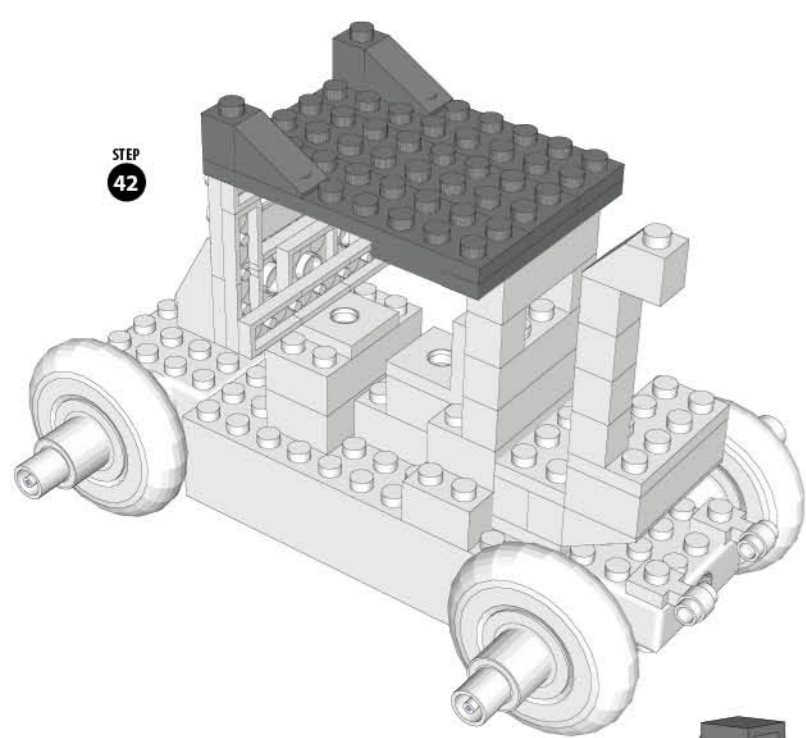
STEP
40



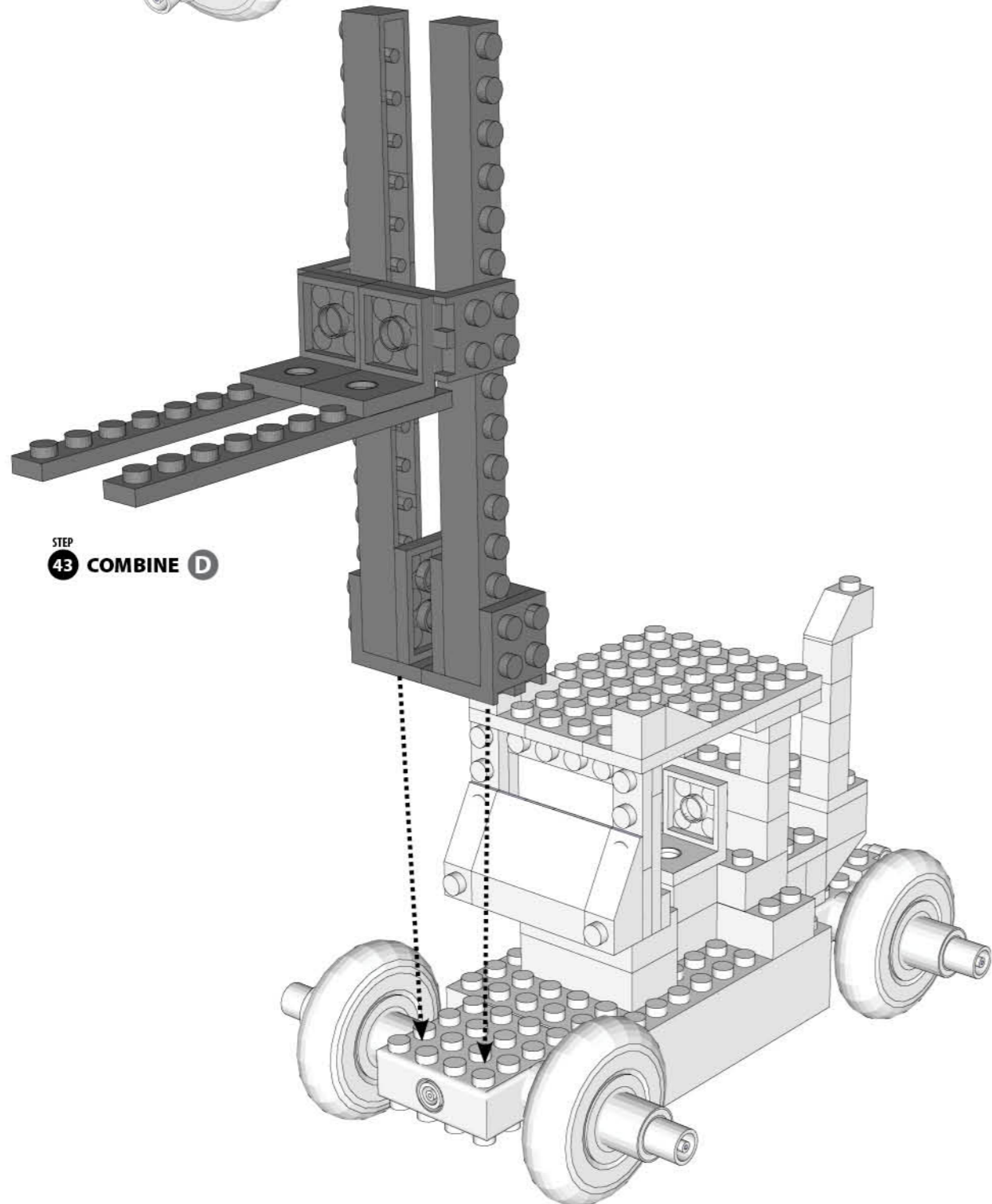
STEP
41 COMBINE B



STEP
42



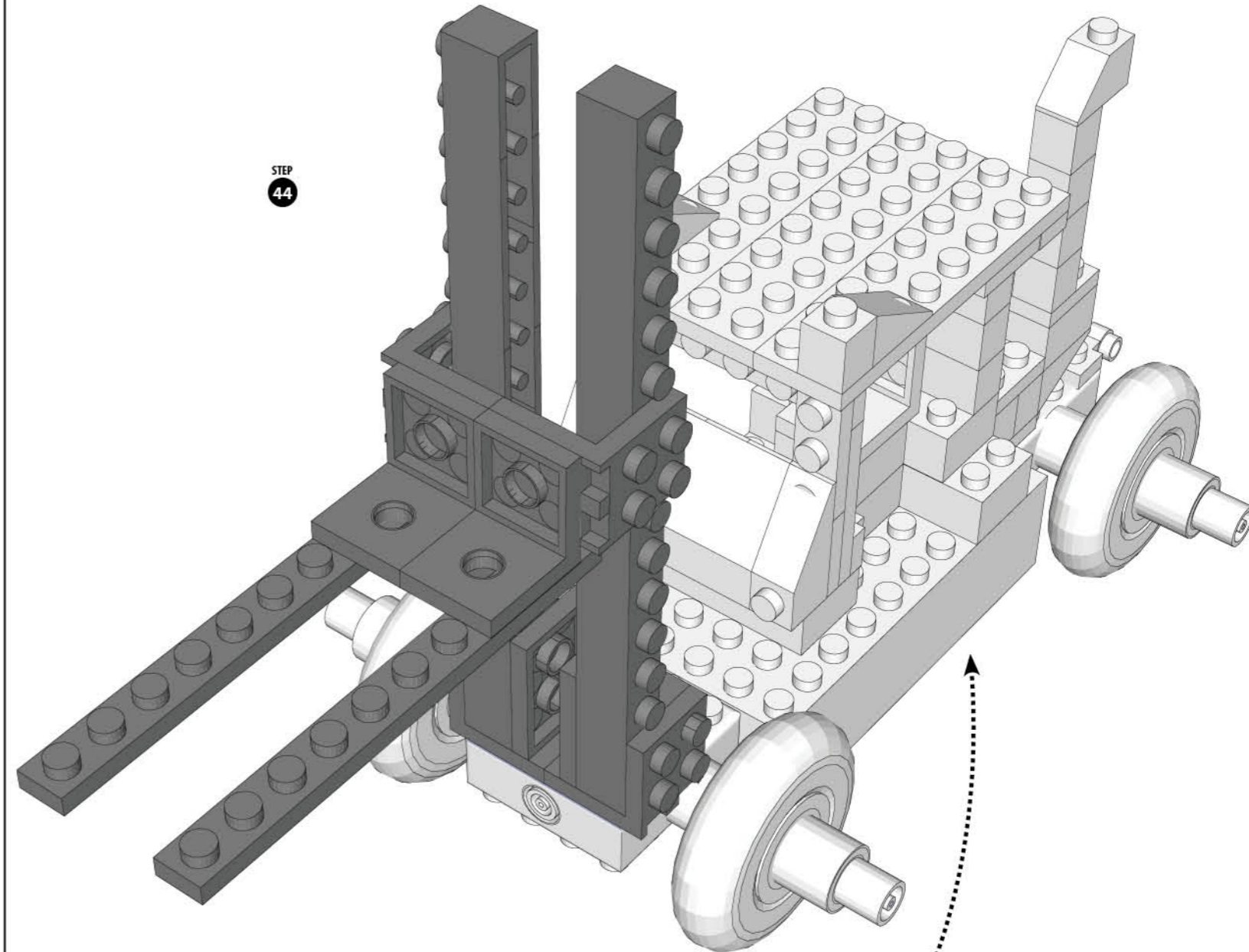
STEP
43 COMBINE D



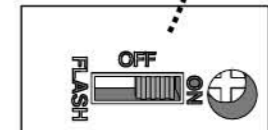
Environmental Phenomena

* The unit may malfunction if subjected to radio-frequency interference. It SHOULD revert to normal operation when the interference stops. If not, it may become necessary to turn the power off and back on, or remove and reinstall the batteries. * In the unlikely event of an electrostatic discharge, the unit may malfunction and lose memory, requiring the user to reset the device by removing and reinstalling the batteries.

STEP
44



Slide the switch to Light It Up!



OFF - Turns lights OFF
ON - Turns lights ON
FLASH - Makes lights FLASH

Laser Pegs® CARES
Questions? Comments?
For additional compliance info:
1-866-432-3735
Contact: Support@LaserPegs.com

MADE IN CHINA
www.LaserPegs.com
Copyright 2014 © All Rights Reserved Global & Multiple Patents Pending.
US Patent #7,731,558

LASER PEGS®

The Ultimate Construction Toy For Kids®

PBI420B

POWER BLOCK
Construction Series

Ages 5+

8 Models+
Any creation you can build

LIGHTED
MOBILE POWER BLOCK™ SET
INCLUDES:

- 100 Tinted Bricks
- 4 Tire Pegs
- 2 Square M-M Pegs
- 1 Mobile Power Block™

Requires 3 AAA Batteries

Batteries NOT Included

WARNING: CHOKING HAZARD—Small parts. Not for children under 3 yrs. Do not submerge in water.

DO NOT SUBMERGE IN WATER

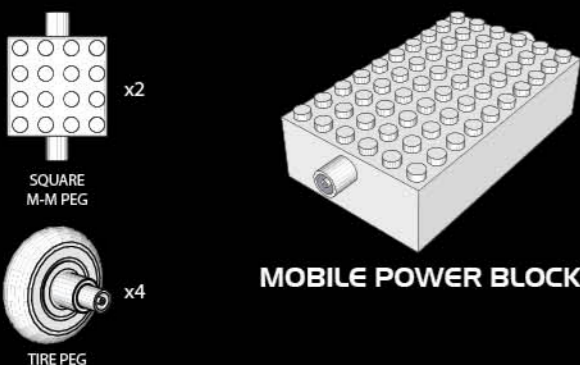
EN71, RoHS COMPLIANT

This product complies to all safety requirements of ASTM F 963

MODEL INSTRUCTIONS

All additional model instructions can be downloaded at www.LaserPegs.com

Laser Pegs® Parts List



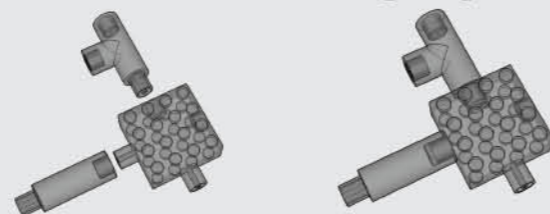
Color Code Each Laser Peg® is color coded on the circuit board inside each shape.



www.LaserPegs.com

This manual is copyright and cannot be reproduced or used online without Laser Pegs® Ventures LLC permission. Copyright 2014 © All Rights Reserved US Patent #7,731,558 Additional Global & Multiple Patents Pending. Laser Pegs® Ventures LLC, 8304 Consumer Ct., Sarasota FL 34240. Contact: Support@LaserPegs.com

Connecting Pegs



To construct with Laser Pegs®, slide two pieces together to form a connection. Slide each piece on and off smoothly.

POWER BLOCK

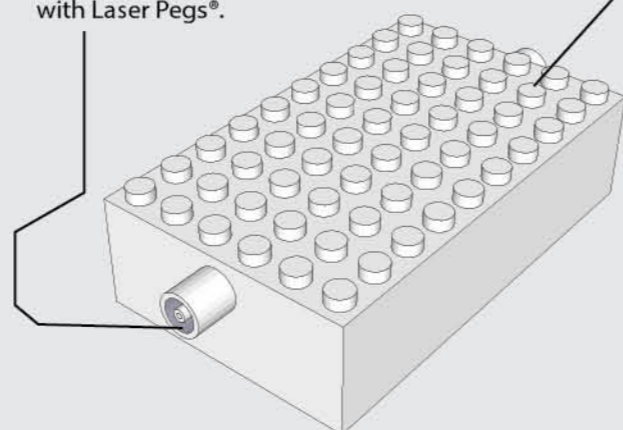
The Power Block is a Power Base that allows you to build with Laser Pegs® and construction parts to build models that light up. It is battery operated. (BATTERIES NOT INCLUDED.)

Laser Pegs® Connections

Allows you to construct with Laser Pegs®.

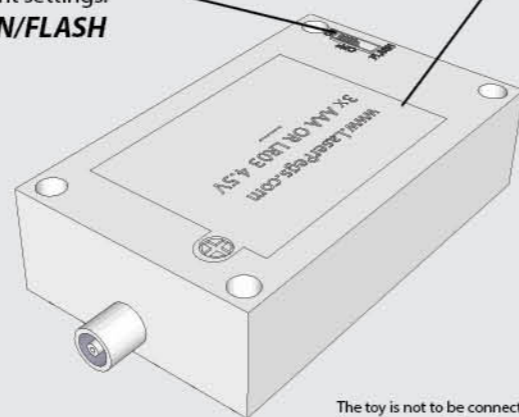
Construction Part Connections

Allows you to connect to other construction kits.



Power Switch

Move the Power Switch to cycle through the Power Block light settings.
OFF/ON/FLASH

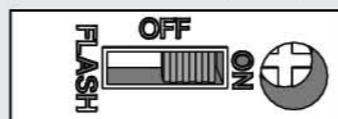


Battery Compartment

Requires 3-AAA Batteries (Batteries Not Included)

LIGHT SETTINGS

OFF - Turns lights OFF
ON - Turns lights ON
FLASH - Makes lights FLASH



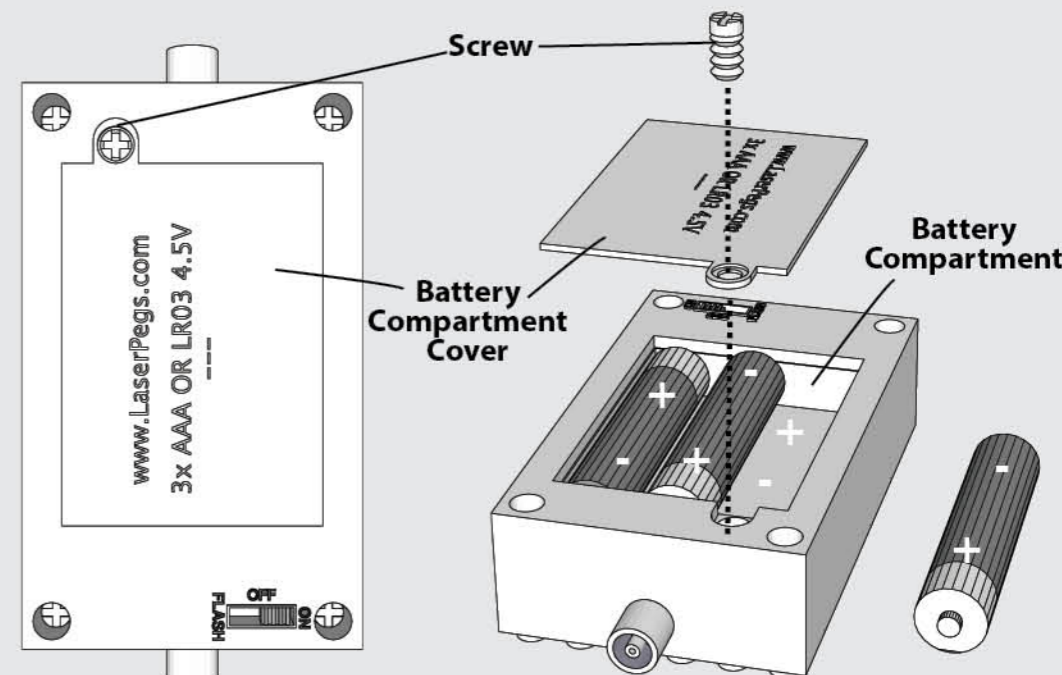
WARNING: STROBE LIGHTS MAY CAUSE SEIZURES

WARNING! Each Laser Peg® draws current from the batteries. Therefore, the more pegs you use, the quicker you will deplete your battery power! As the power weakens, the current will slowly fail and some Laser Pegs® will illuminate (typically the reds and yellows) and some won't. When the Laser Pegs® dim, the Laser Pegs® are not broken, they just need stronger batteries. You have 2 simple options...
1. Change the batteries.
2. Use high quality batteries. They will last a little longer, but they will still deplete rapidly the more Laser Pegs® you connect!

Replacing Batteries

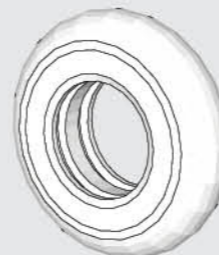
1. Remove Screw.
2. Lift off Battery Compartment Cover.
3. Place three (3) AAA batteries in the correct position - as displayed inside of the Power Block.
4. Replace Battery Compartment Cover and Screw.
5. Slide Power Switch setting to OFF/ON/FLASH.
6. Do not mix old and new batteries.
7. Do not mix alkaline, standard (carbon-zinc), or rechargeable (nickel-cadmium, NiMH) batteries!
8. Exhausted batteries are to be removed from the power base.
9. Never connect more than 30 Laser Pegs® at one time!
10. Non-rechargeable batteries are not to be recharged.
11. Rechargeable batteries are only to be recharged under adult supervision.
12. Rechargeable batteries are to be removed from the toy before being recharged.
13. Batteries are to be inserted with the correct polarity.
14. The supply terminals are not to be short-circuited.
15. DO NOT THROW BATTERIES INTO FIRE!

Remove the Phillips head screw with a 4mm screw driver.
Requires 3-AAA Batteries
Batteries NOT Included

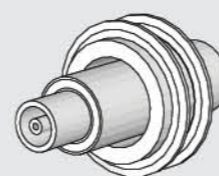


Requires 3-AAA Batteries

Connecting the Laser Pegs® Tire to the Axle Peg

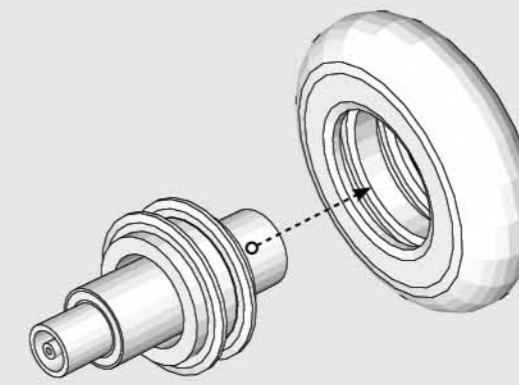


Tire

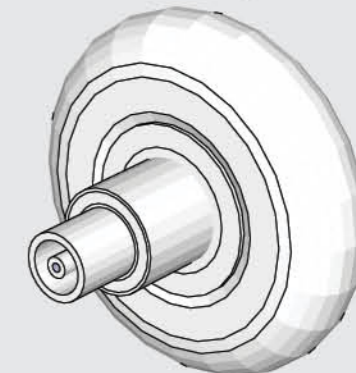


Axle Peg

Place Axle Peg through the Tire



Tire Peg

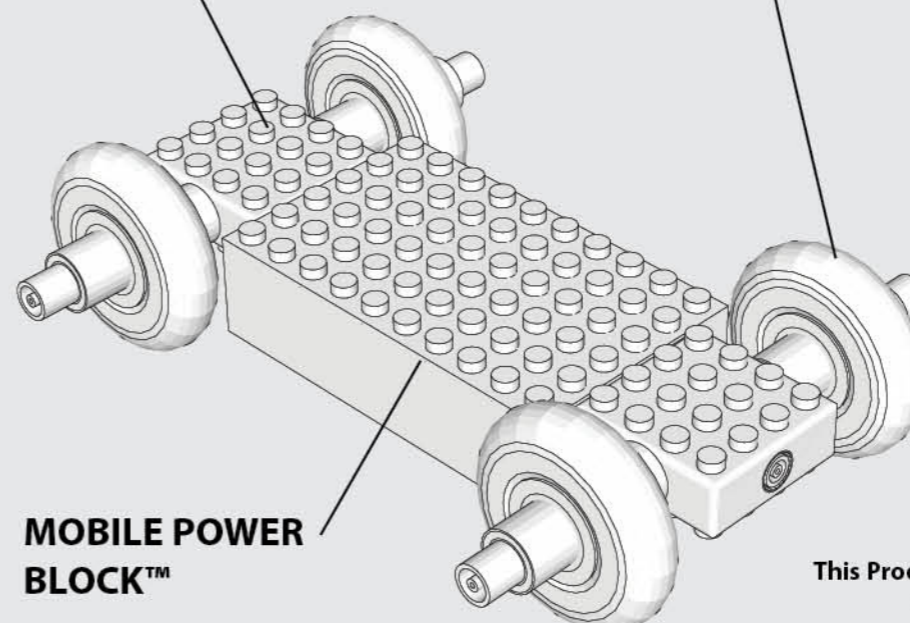


POWER BLOCK™

Use the Laser Pegs® Square M-M Peg to attach the Tire Pegs to the Power Block™.

Laser Pegs® Square M-M Peg

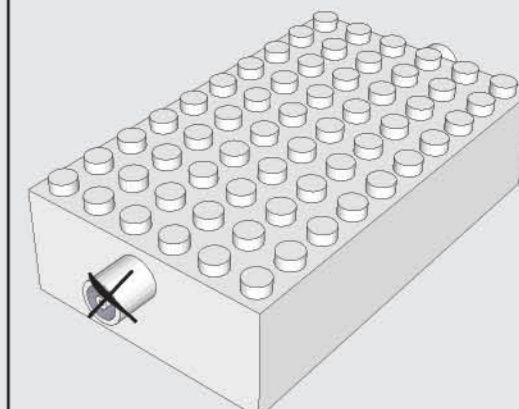
Tire Peg



MOBILE POWER BLOCK™

AVOID DAMAGE TO PEG HOLES

*To avoid short-circuits, keep metal objects and other unauthorized materials from obstructing the peg holes.



Never connect more than 30 Laser Pegs® to the Power Block at one time.

This Product contains a button battery. If swallowed, it could cause severe injury or death in just 2 hours. Seek medical attention immediately.

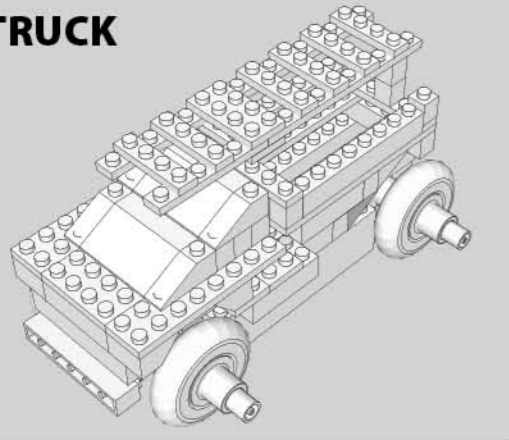
UTILITY TRUCK: A vehicle that is designed to carry equipment, ladders, etc., with more effectiveness than a general-purpose vehicle.



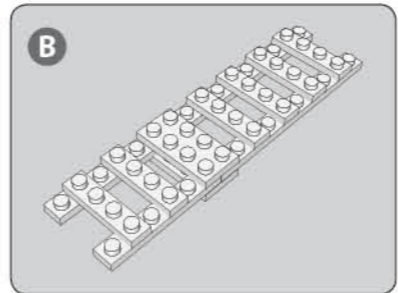
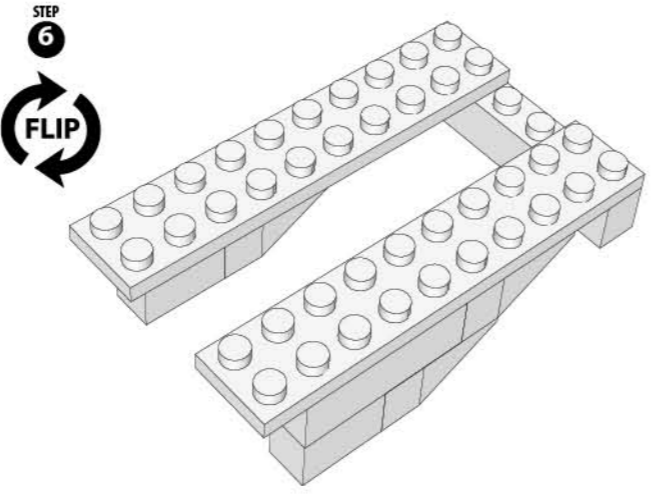
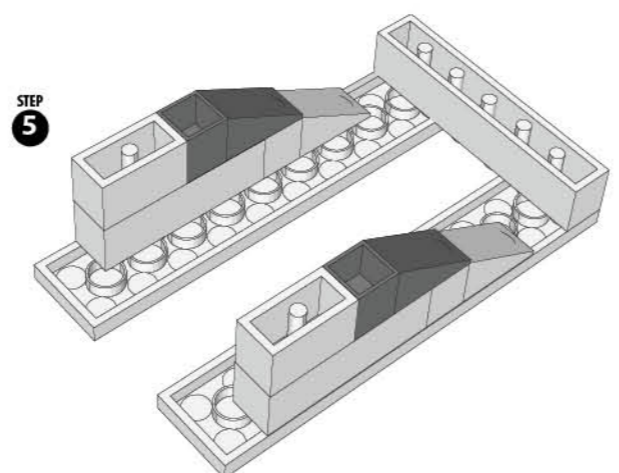
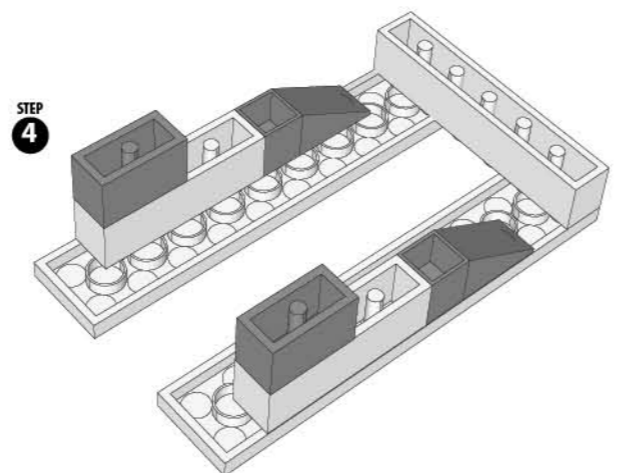
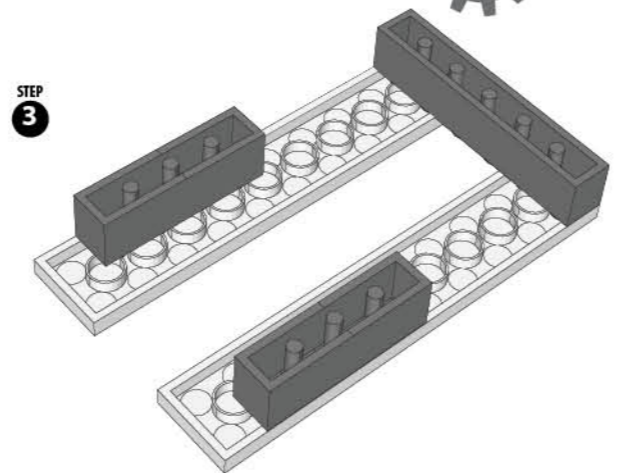
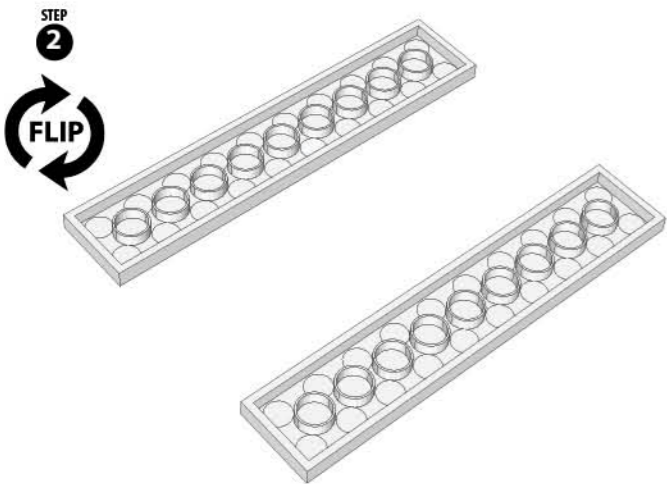
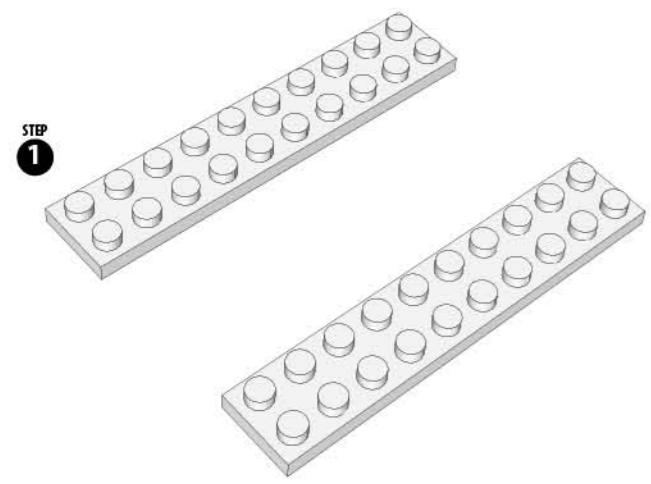
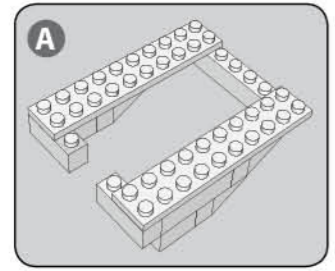
UTILITY TRUCK

Model Difficulty Level

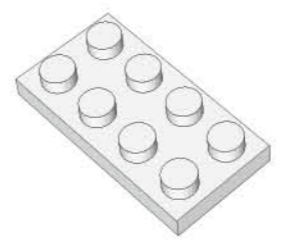
2



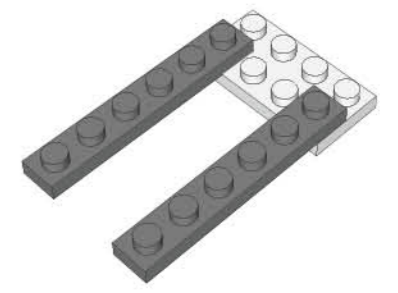
The TRY-ME mechanism is for display purposes ONLY and should be discarded as per state and local regulations. It is NOT intended to be used for the building of this model.



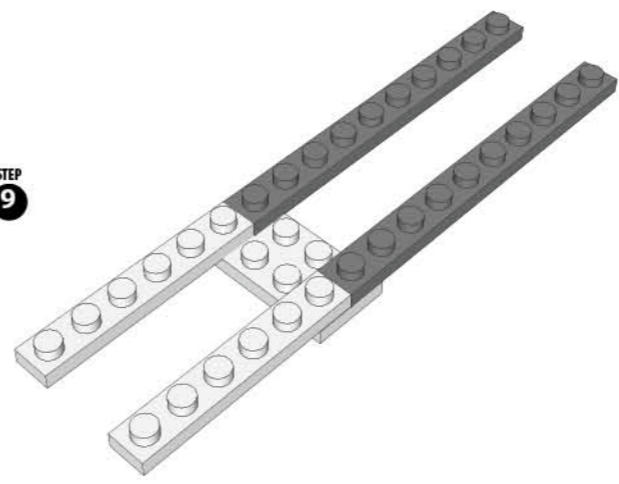
STEP 7



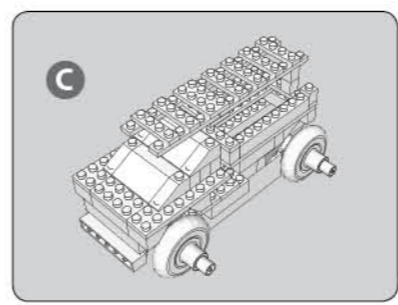
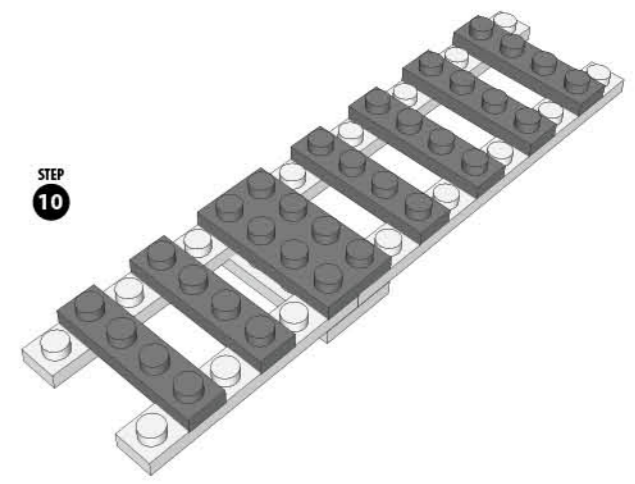
STEP 8



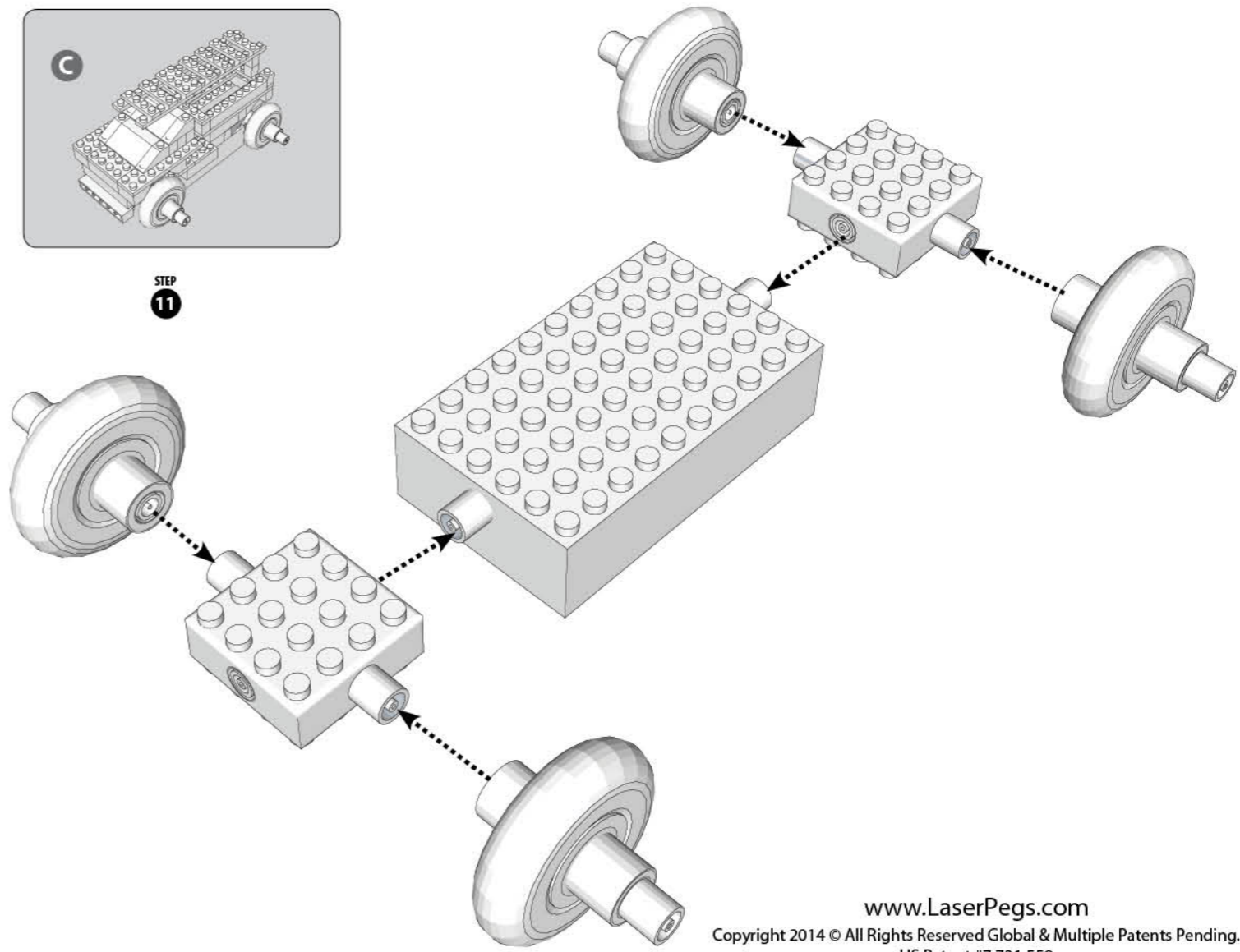
STEP 9



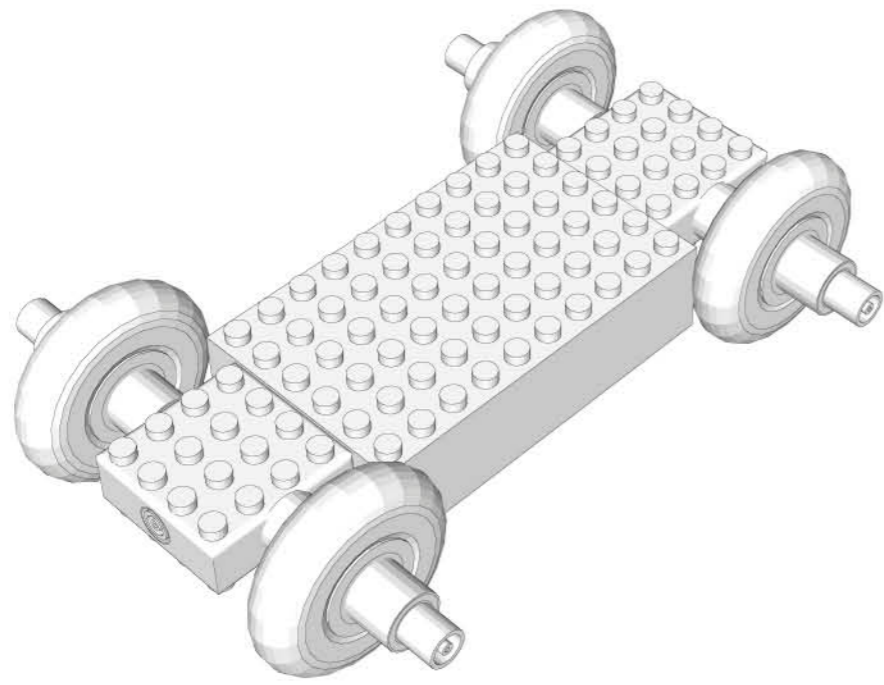
STEP 10



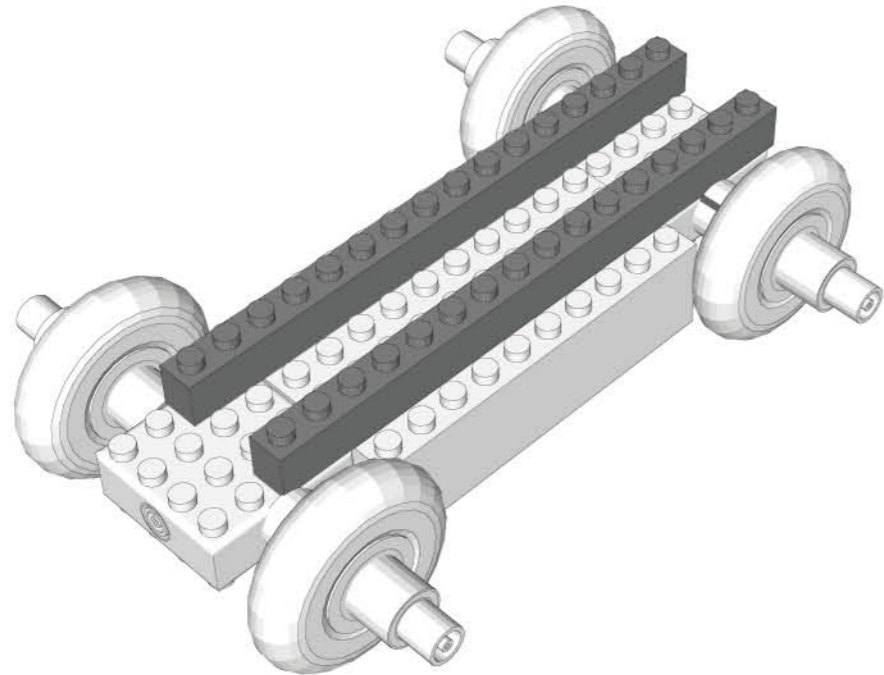
STEP 11



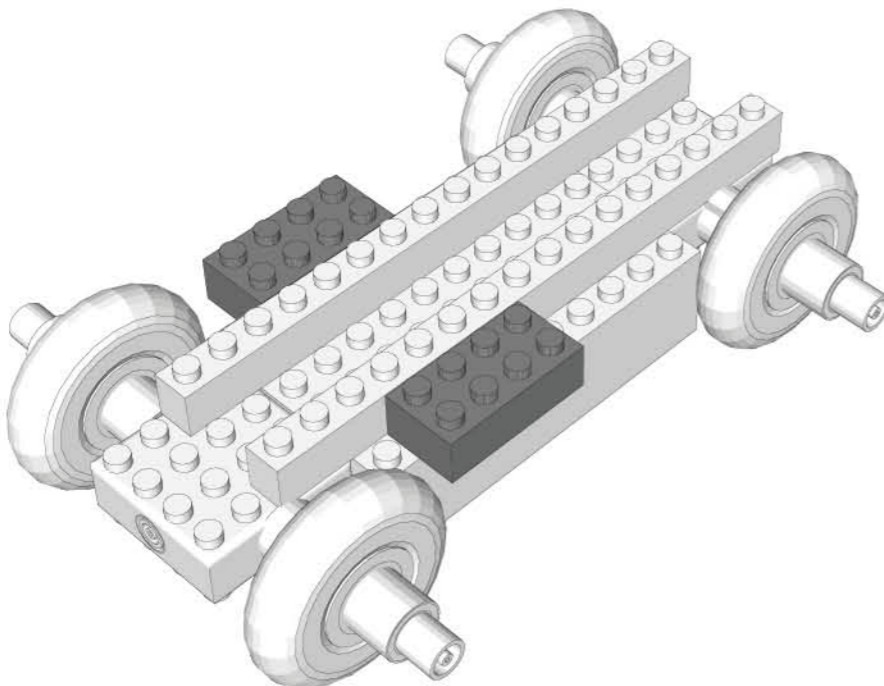
STEP
12



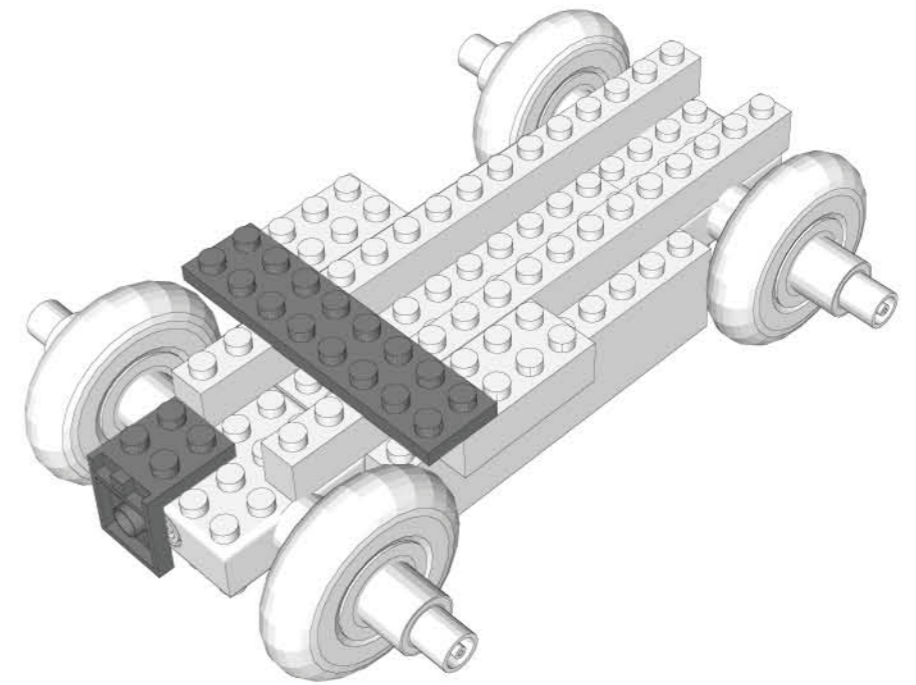
STEP
13



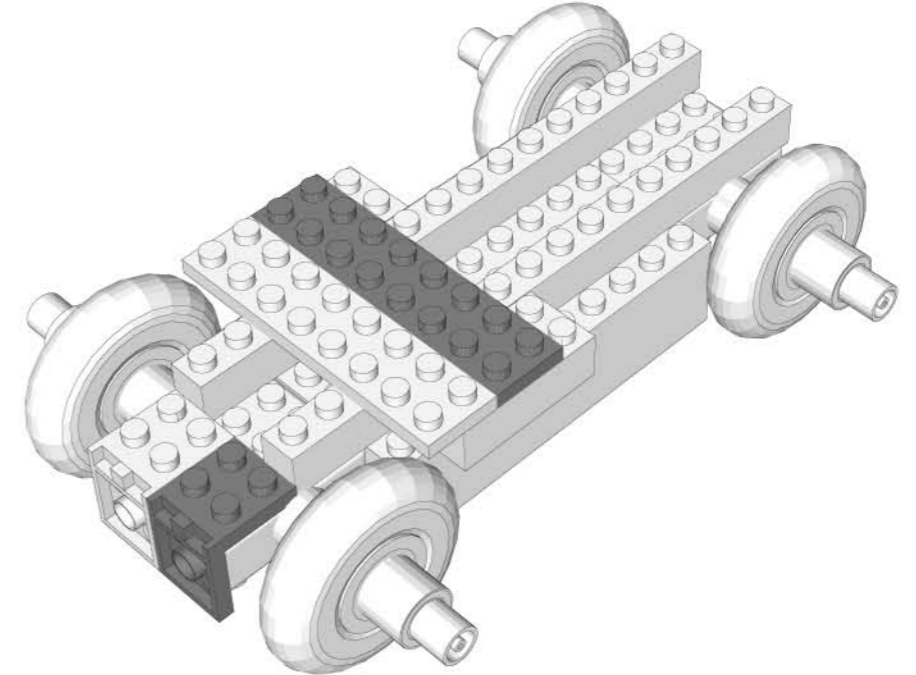
STEP
14



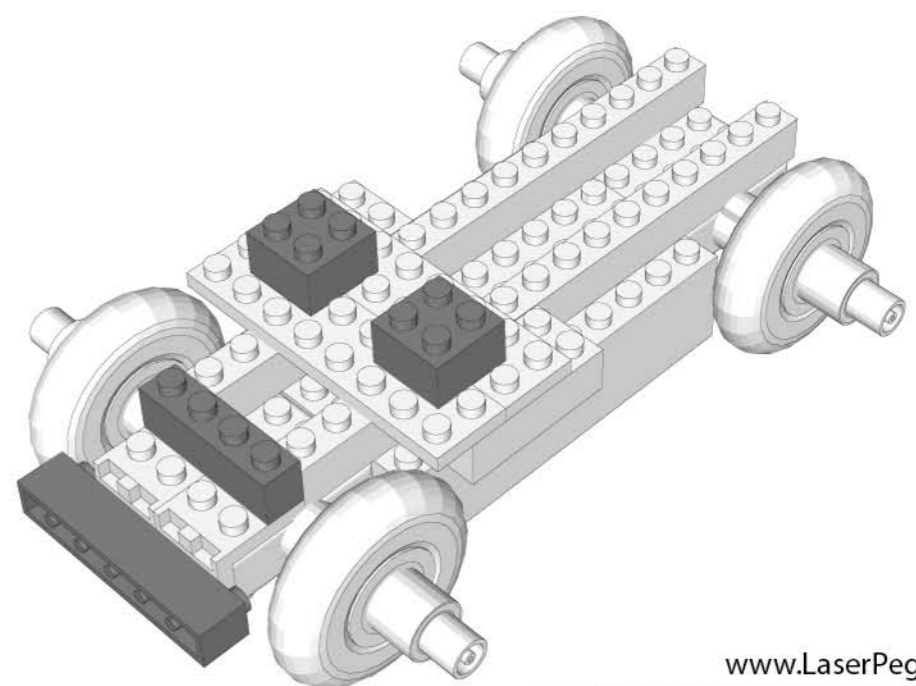
STEP
15



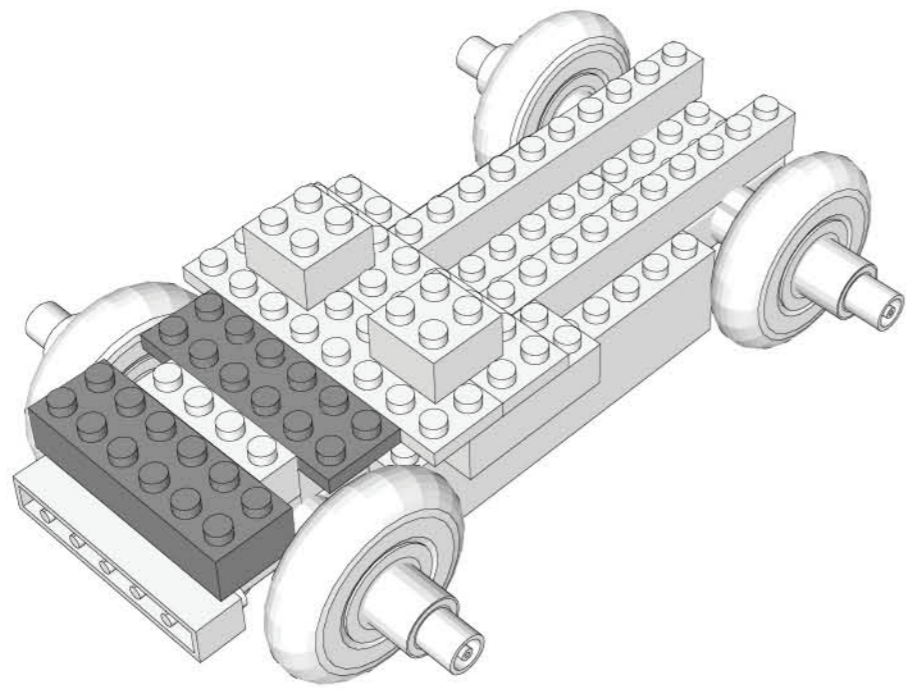
STEP
16



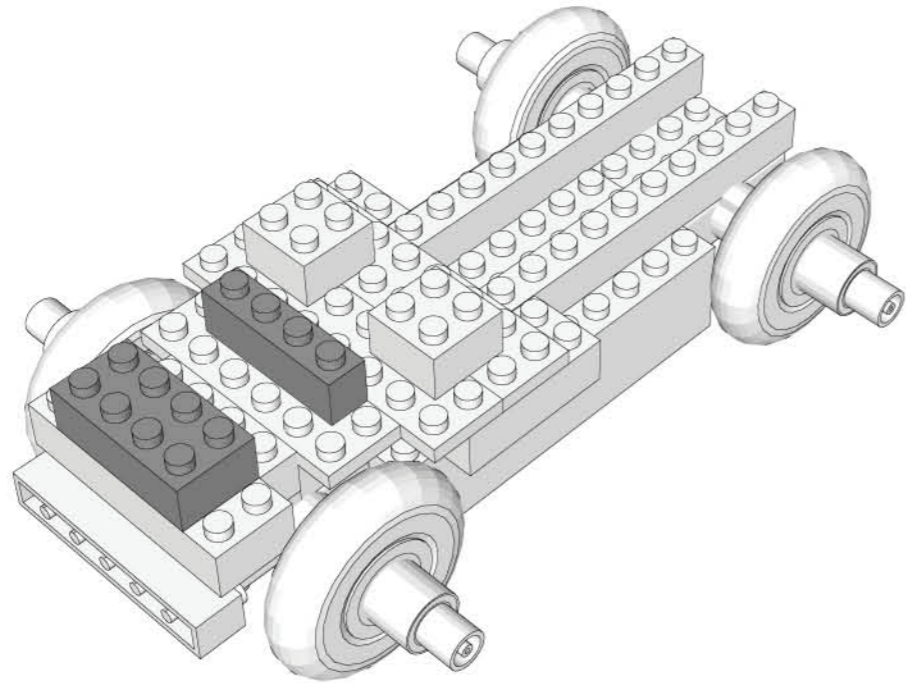
STEP
17



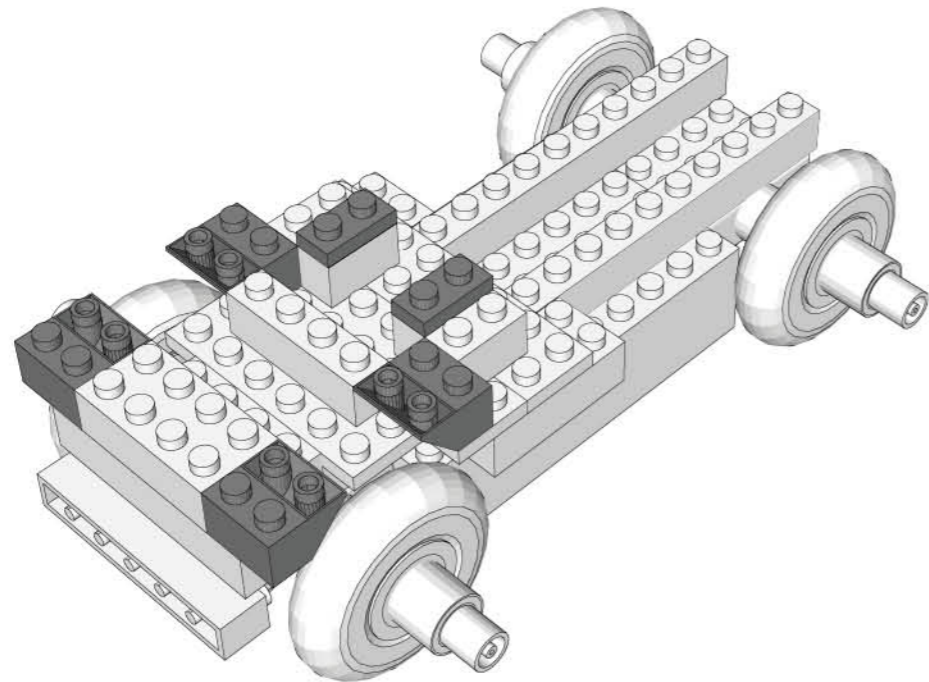
STEP
18



STEP
19

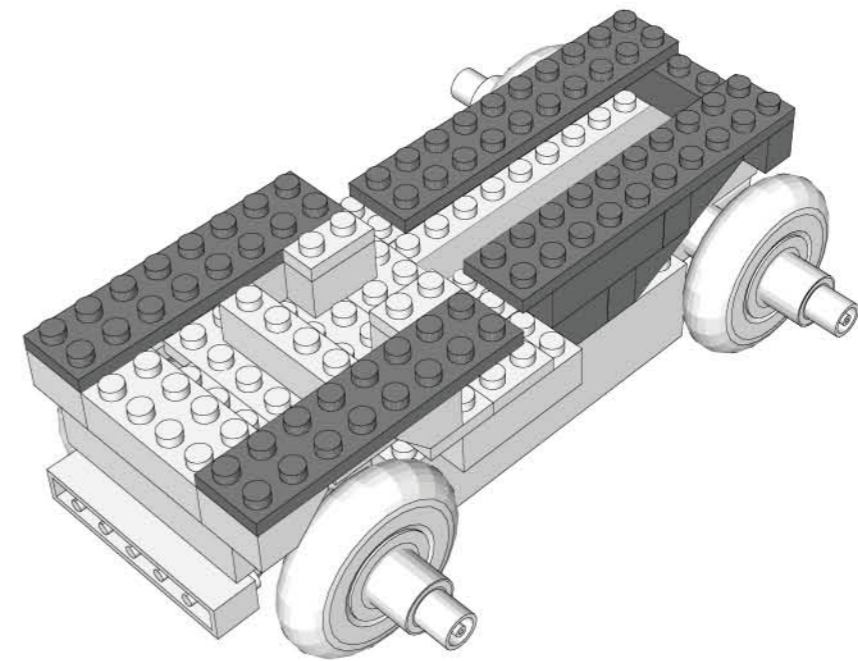


STEP
20

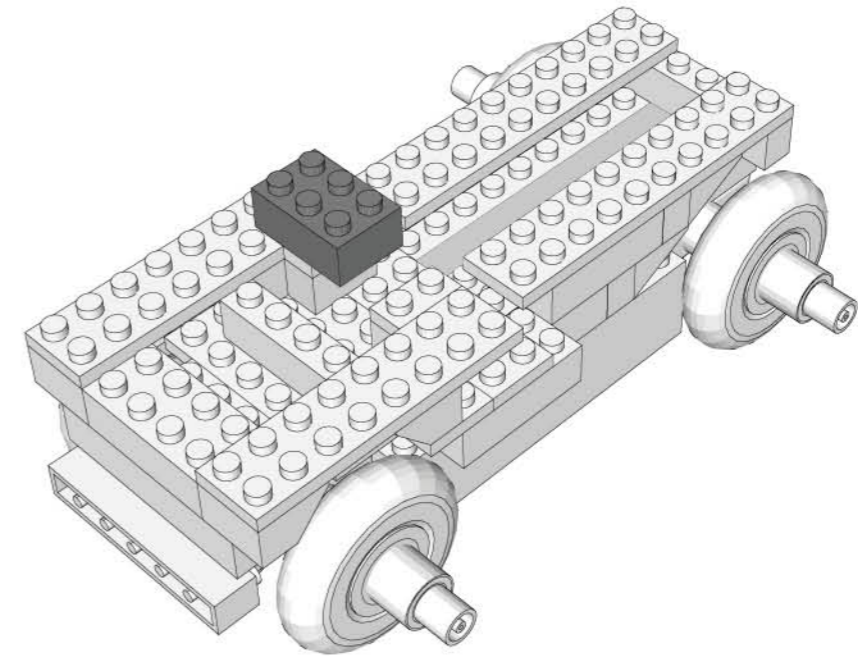


STEP
21

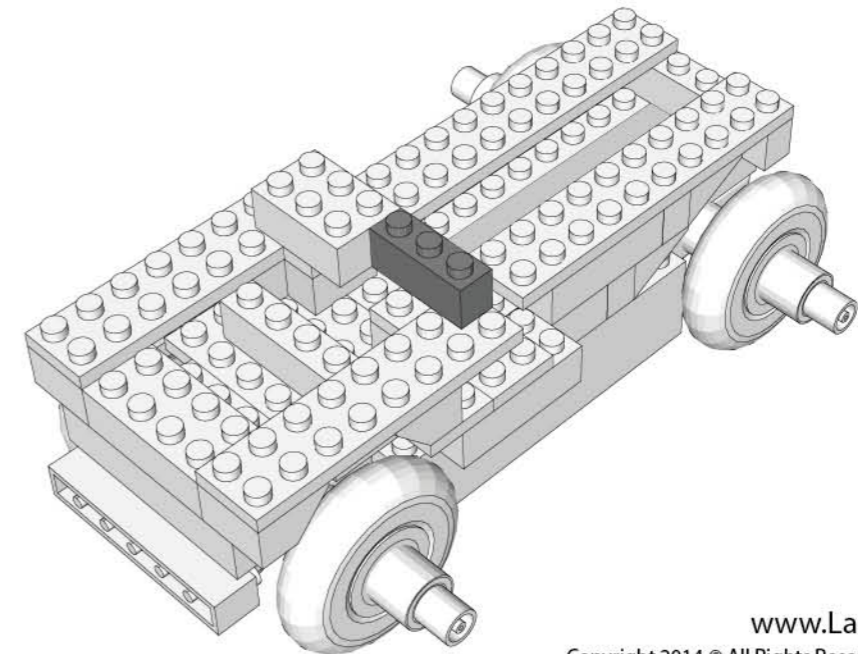
COMBINE A



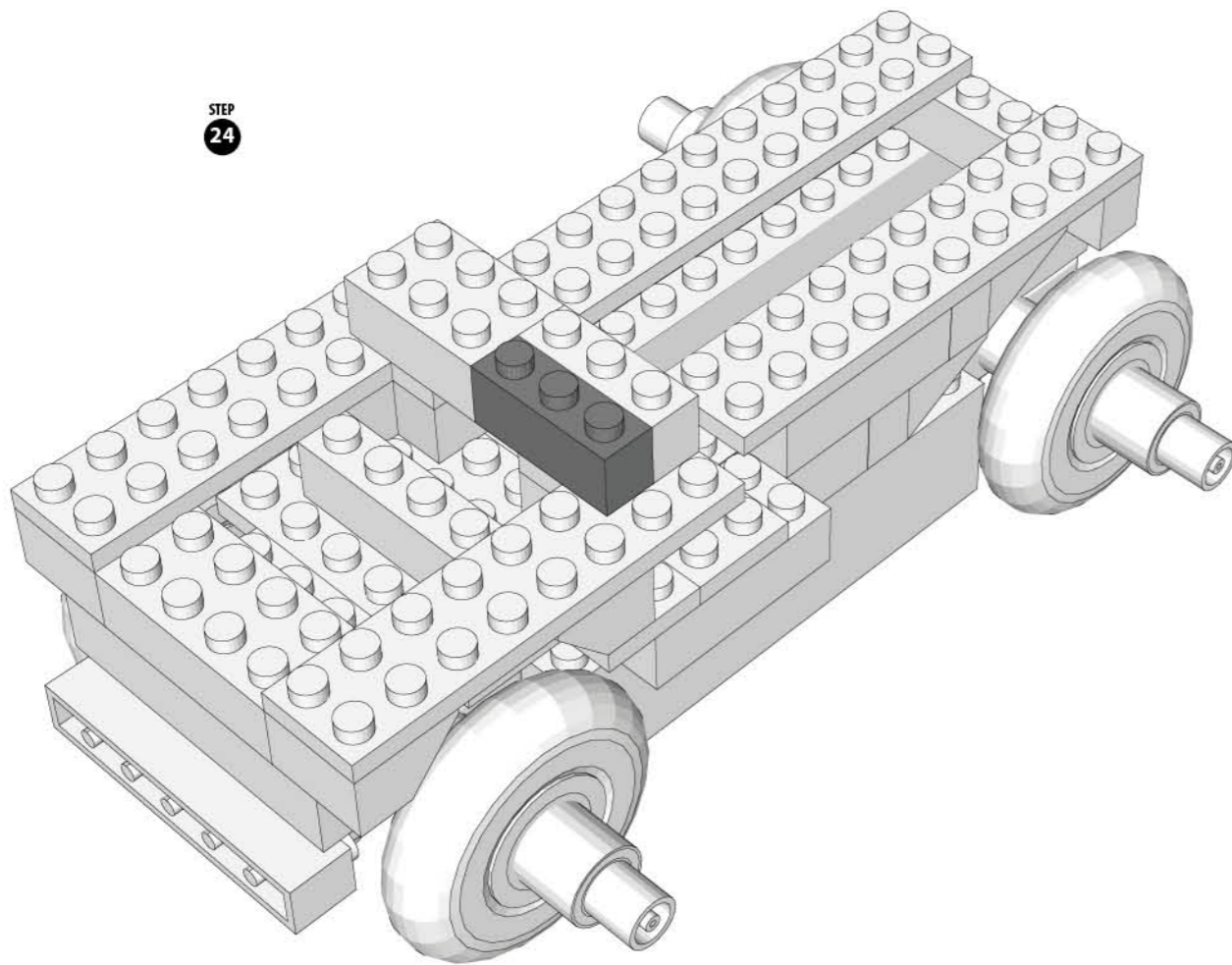
STEP
22



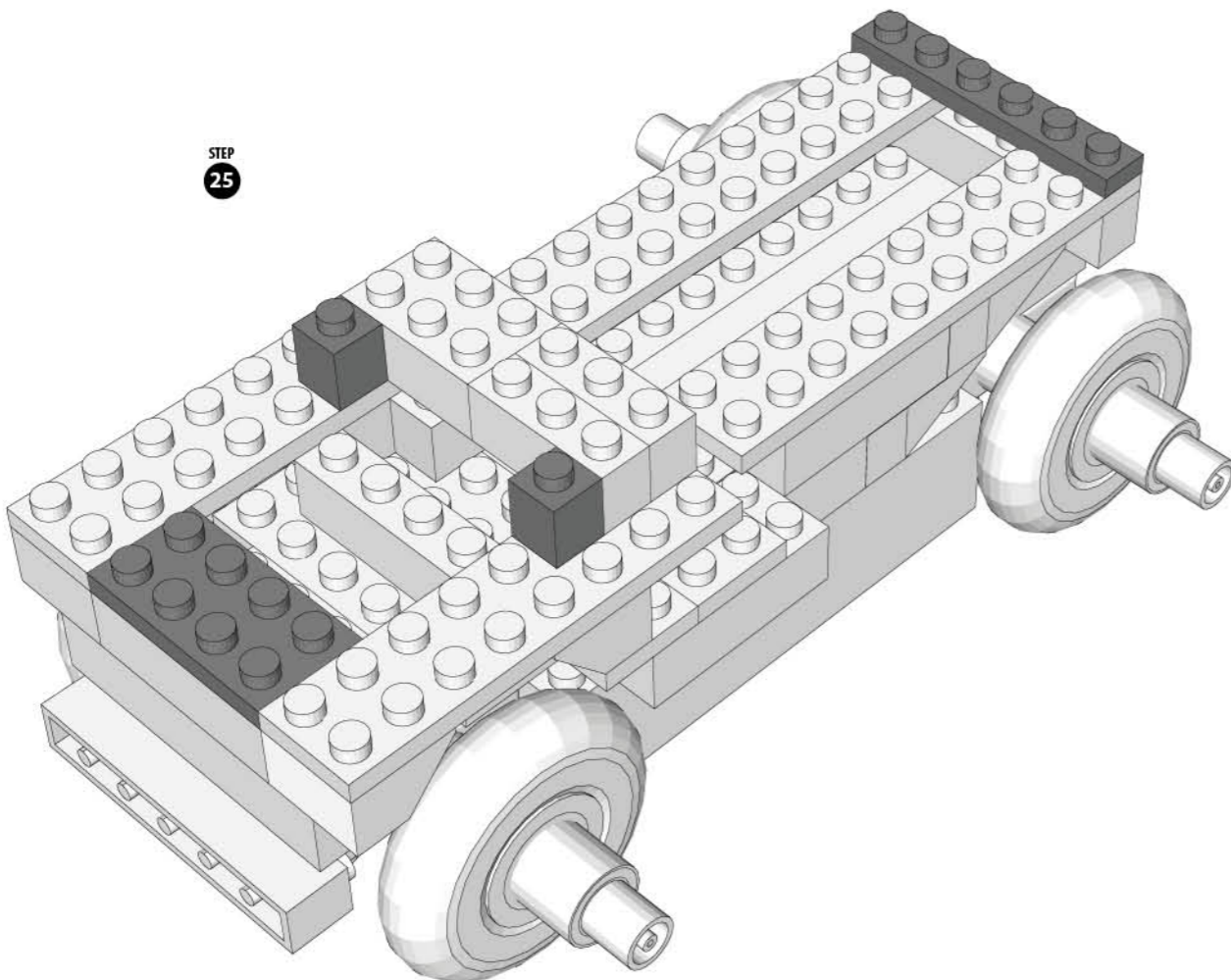
STEP
23



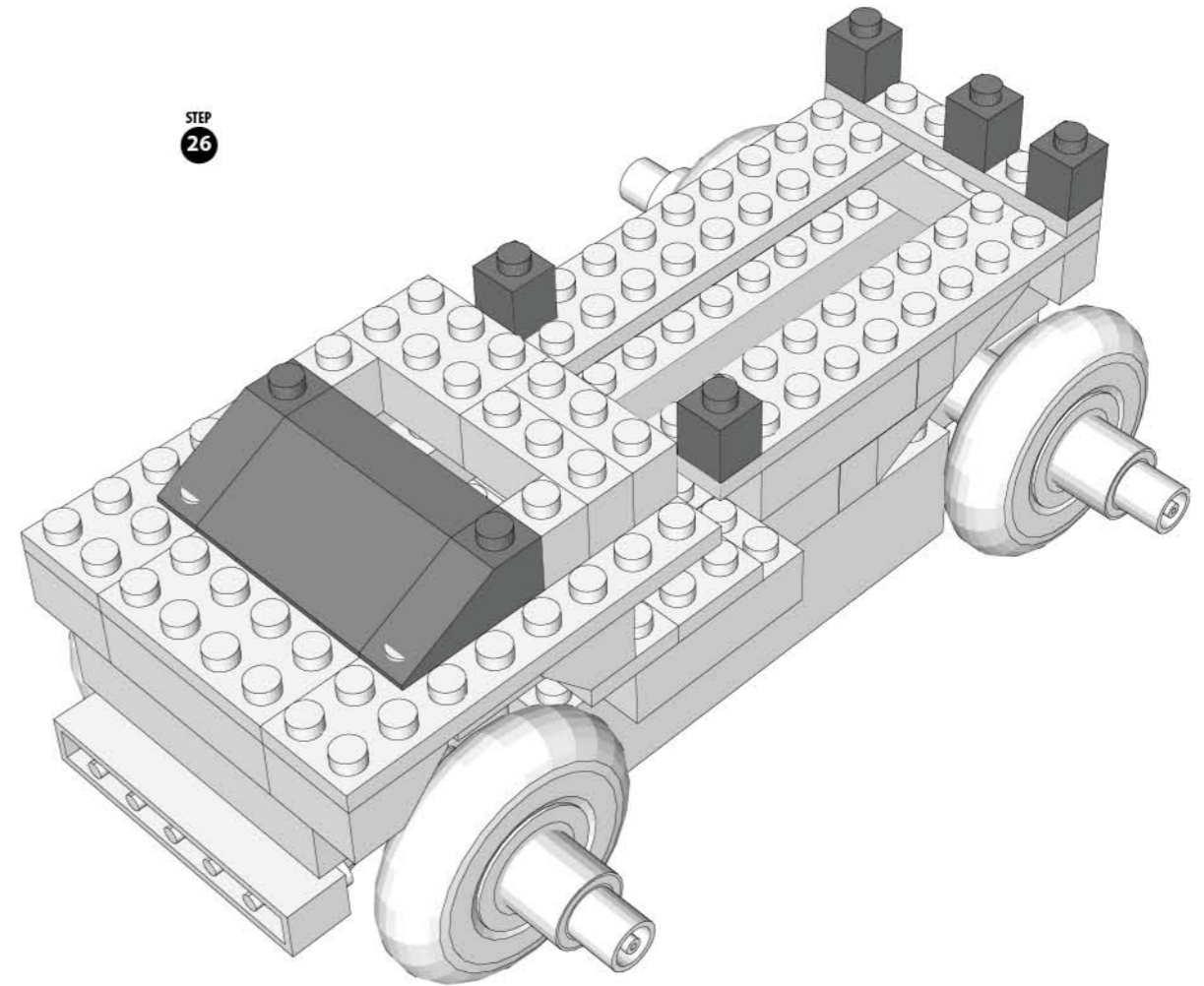
STEP
24



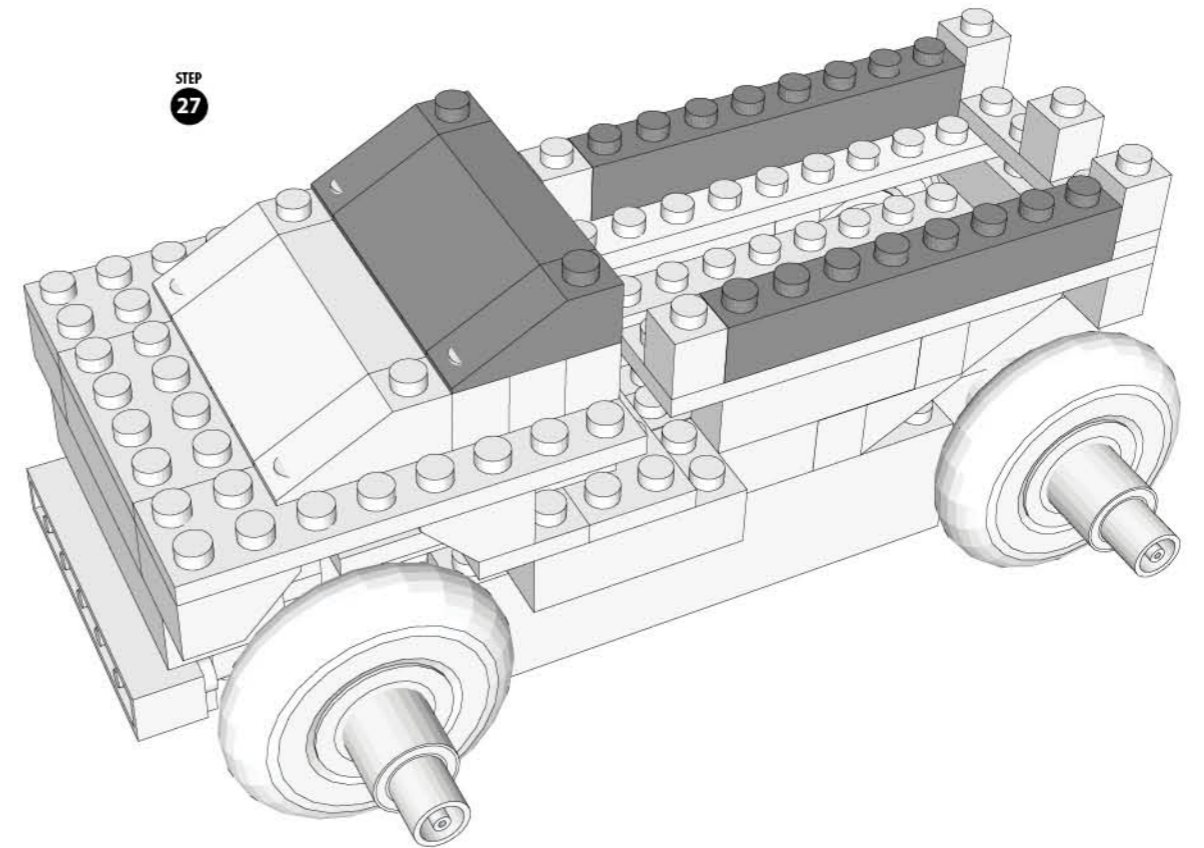
STEP
25



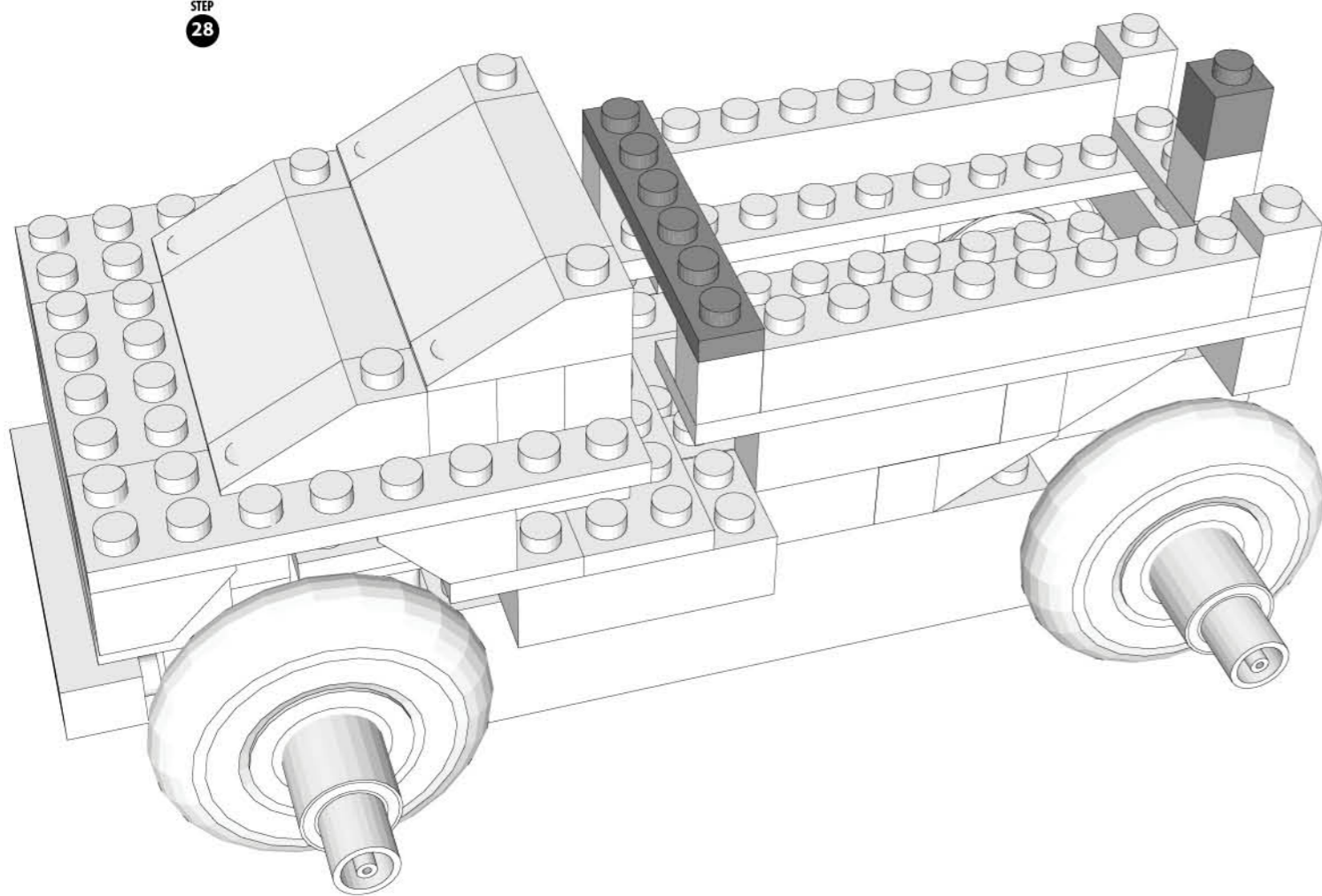
STEP
26



STEP
27



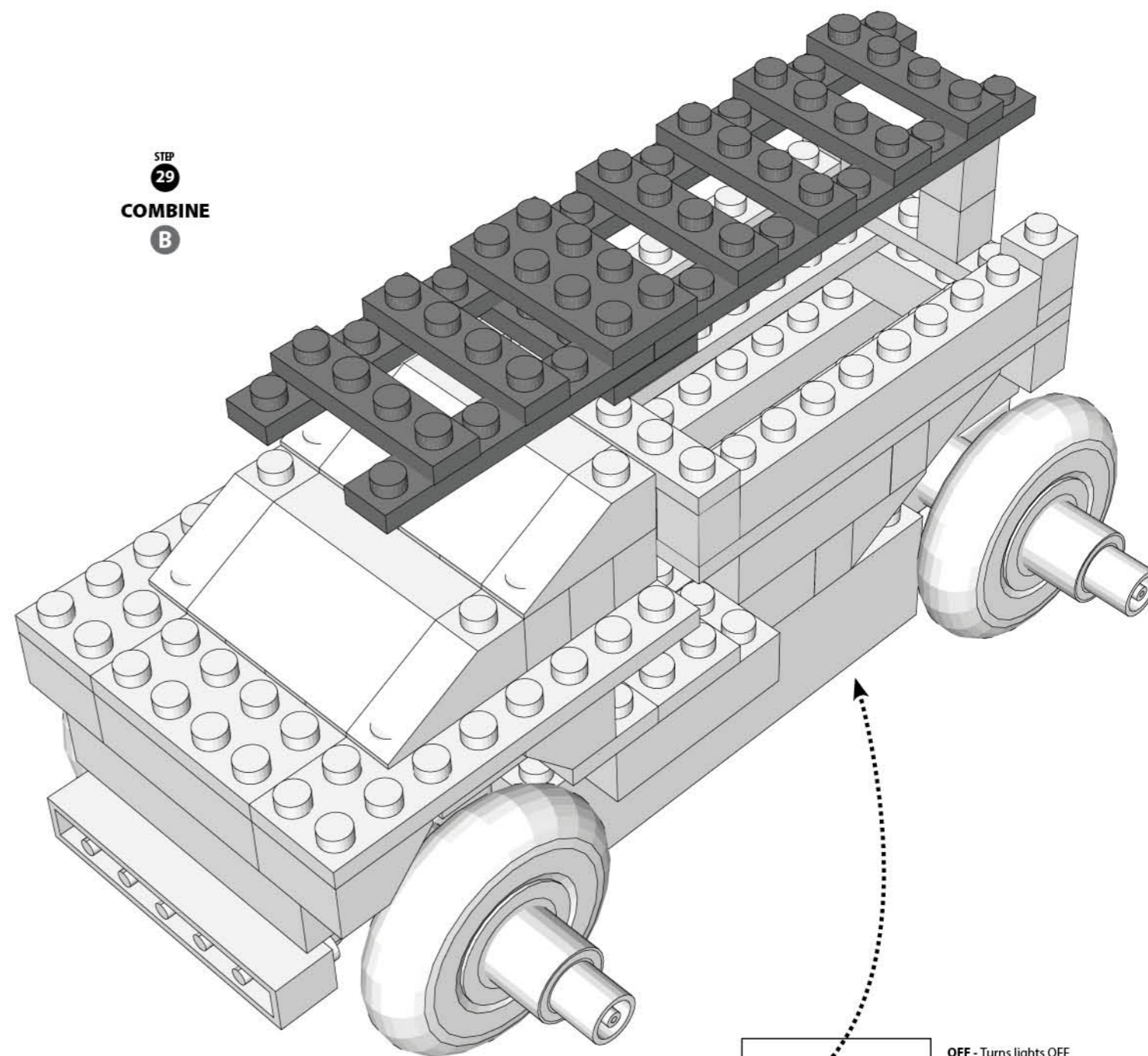
STEP
28



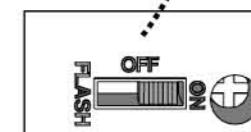
Environmental Phenomena

*The unit may malfunction if subjected to radio-frequency interference. It SHOULD revert to normal operation when the interference stops. If not, it may become necessary to turn the power off and back on, or remove and reinstall the batteries. * In the unlikely event of an electrostatic discharge, the unit may malfunction and lose memory, requiring the user to reset the device by removing and reinstalling the batteries.

STEP
29
COMBINE
B



Slide the switch to Light It Up!



OFF - Turns lights OFF
ON - Turns lights ON
FLASH - Makes lights FLASH

Laser Pegs® CARES
Questions? Comments?
For additional compliance info:
1-866-432-3735
Contact: Support@LaserPegs.com

MADE IN CHINA

www.LaserPegs.com
Copyright 2014 © All Rights Reserved Global & Multiple Patents Pending.
US Patent #7,731,558