

LASER PEGS®

The Ultimate Construction Toy For Kids®

PBI430B

POWER BLOCK

TRUCK Series

Ages 5+

8 Models+

Any creation you can build

LIGHTED

MOBILE POWER BLOCK™ SET

INCLUDES:

- 100 Tinted Bricks
- 4 Tire Pegs
- 2 Square M-M Pegs
- 1 Mobile Power Block™

Requires 3 AAA Batteries

Batteries NOT Included

WARNING: CHOKING HAZARD-Small parts. Not for children under 3 yrs. Do not submerge in water.

DO NOT SUBMERGE IN WATER

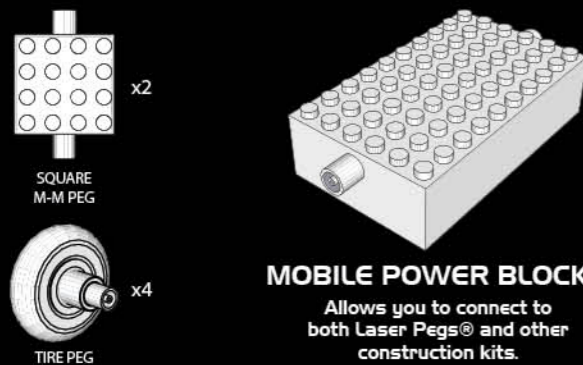
EN71, RoHS COMPLIANT

This product complies to all safety requirements of ASTM F 963

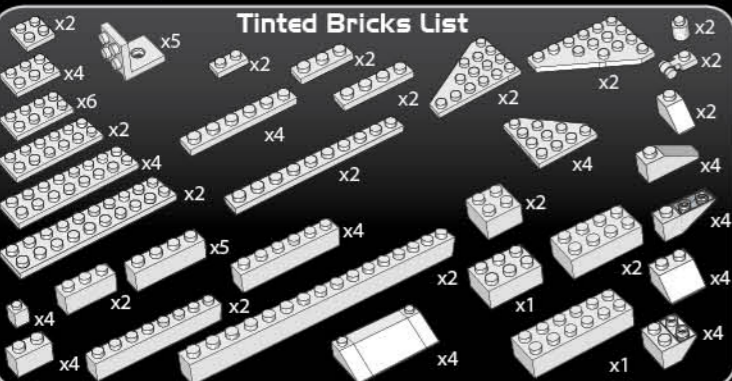
MODEL INSTRUCTIONS

All additional model instructions can be downloaded at www.LaserPegs.com

Laser Pegs® Parts List



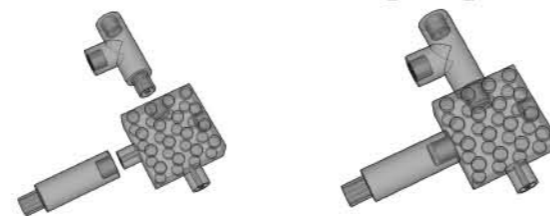
Color Code Each Laser Peg® is color coded on the circuit board inside each shape.



www.LaserPegs.com

This manual is copyright and cannot be reproduced or used online without Laser Pegs® Ventures LLC permission. Copyright 2014 © All Rights Reserved US Patent #7,731,558 Additional Global & Multiple Patents Pending. Laser Pegs® Ventures LLC, 8304 Consumer Ct., Sarasota FL 34240. Contact: Support@LaserPegs.com

Connecting Pegs



To construct with Laser Pegs®, slide two pieces together to form a connection. Slide each piece on and off smoothly.

POWER BLOCK

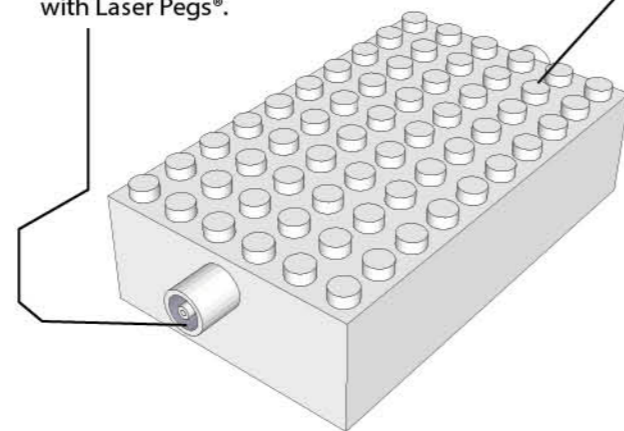
The Power Block is a Power Base that allows you to build with Laser Pegs® and construction parts to build models that light up. It is battery operated. (BATTERIES NOT INCLUDED.)

Laser Pegs® Connections

Allows you to construct with Laser Pegs®.

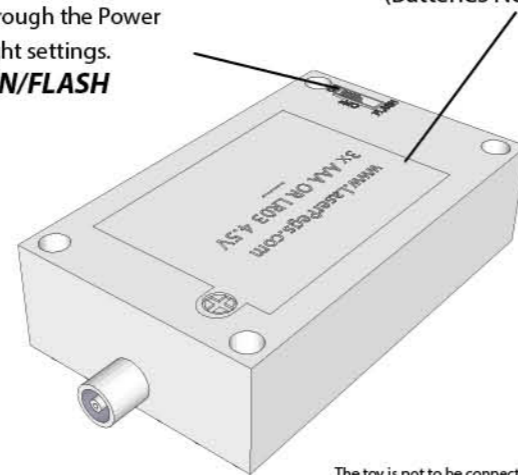
Construction Part Connections

Allows you to connect to other construction kits.



Power Switch

Move the Power Switch to cycle through the Power Block light settings.
OFF/ON/FLASH

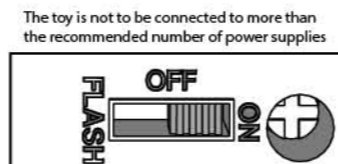


Battery Compartment

Requires 3-AAA Batteries (Batteries Not Included)

LIGHT SETTINGS

OFF - Turns lights OFF
ON - Turns lights ON
FLASH - Makes lights FLASH



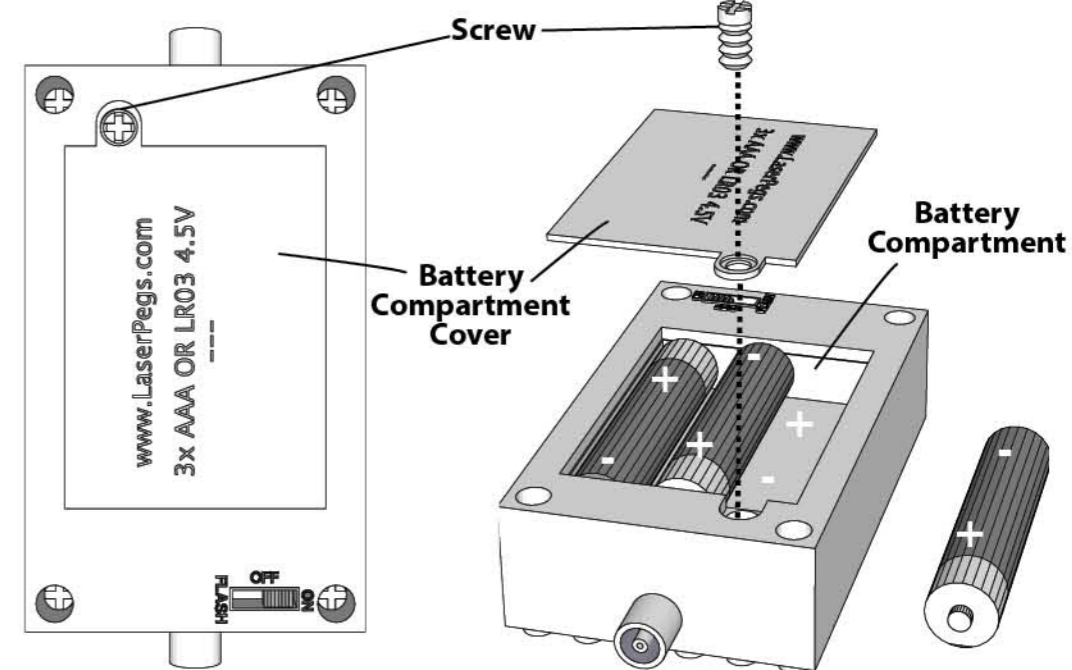
WARNING: STROBE LIGHTS MAY CAUSE SEIZURES

WARNING! Each Laser Peg® draws current from the batteries. Therefore, the more pegs you use, the quicker you will deplete your battery power! As the power weakens, the current will slowly fail and some Laser Pegs® will illuminate (typically the reds and yellows) and some won't. When the Laser Pegs® dim, the Laser Pegs® are not broken, they just need stronger batteries. You have 2 simple options...
1. Change the batteries.
2. Use high quality batteries. They will last a little longer, but they will still deplete rapidly the more Laser Pegs® you connect!

Replacing Batteries

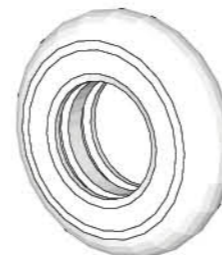
1. Remove Screw.
2. Lift off Battery Compartment Cover.
3. Place three (3) AAA batteries in the correct position - as displayed inside of the Power Block.
4. Replace Battery Compartment Cover and Screw.
5. Slide Power Switch setting to OFF/ON/FLASH.
6. Do not mix old and new batteries.
7. Do not mix alkaline, standard (carbon-zinc), or rechargeable (nickel-cadmium, NiMH) batteries!
8. Exhausted batteries are to be removed from the power base.
9. Never connect more than 30 Laser Pegs® at one time!
10. Non-rechargeable batteries are not to be recharged.
11. Rechargeable batteries are only to be recharged under adult supervision.
12. Rechargeable batteries are to be removed from the toy before being recharged.
13. Batteries are to be inserted with the correct polarity.
14. The supply terminals are not to be short-circuited.
15. DO NOT THROW BATTERIES INTO FIRE!

Remove the Phillips head screw with a 4mm screw driver.
Requires 3-AAA Batteries
Batteries NOT Included



Requires 3-AAA Batteries

Connecting the Laser Pegs® Tire to the Axle Peg

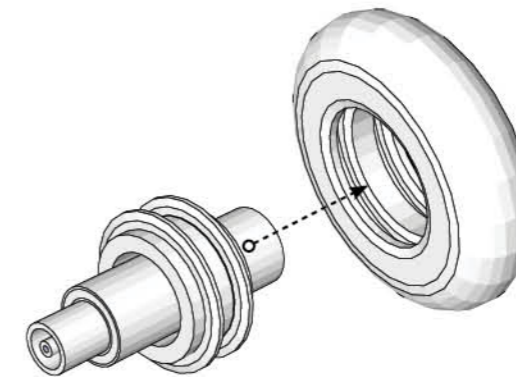


Tire

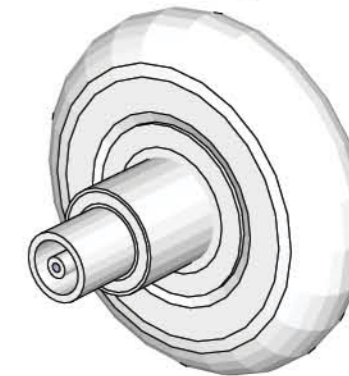


Axle Peg

Place Axle Peg through the Tire



Tire Peg

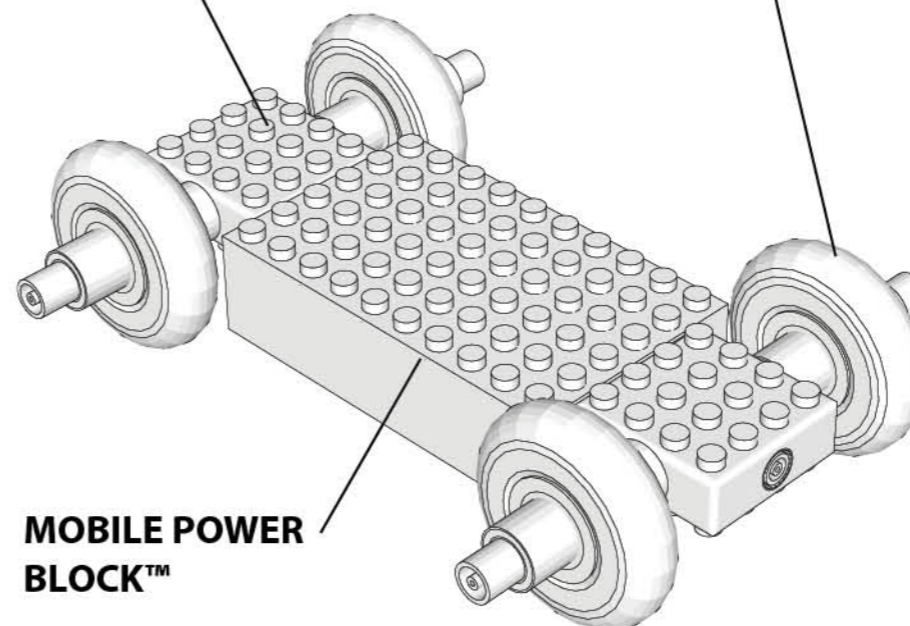


POWER BLOCK™

Use the Laser Pegs® Square M-M Peg to attach the Tire Pegs to the Power Block™.

Laser Pegs® Square M-M Peg

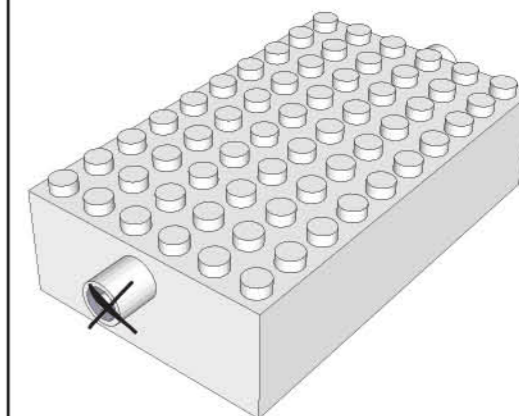
Tire Peg



MOBILE POWER BLOCK™

AVOID DAMAGE TO PEG HOLES

*To avoid short-circuits, keep metal objects and other unauthorized materials from obstructing the peg holes.



Never connect more than 30 Laser Pegs® to the Power Block at one time.

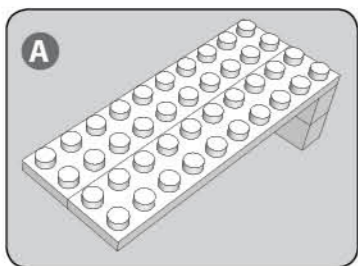
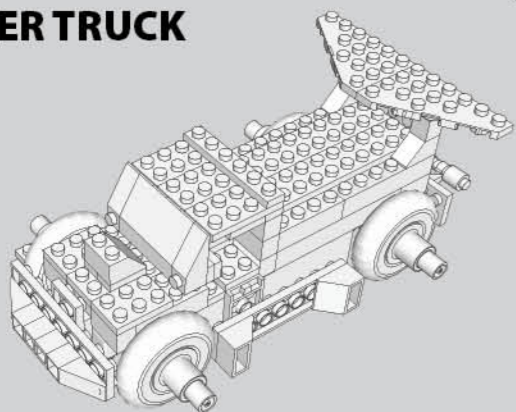
DRAGSTER TRUCK: A class of drag racing vehicle that has a high horsepower engine on a custom chassis and lightweight carbon fiber body that resembles everyday stock truck models.



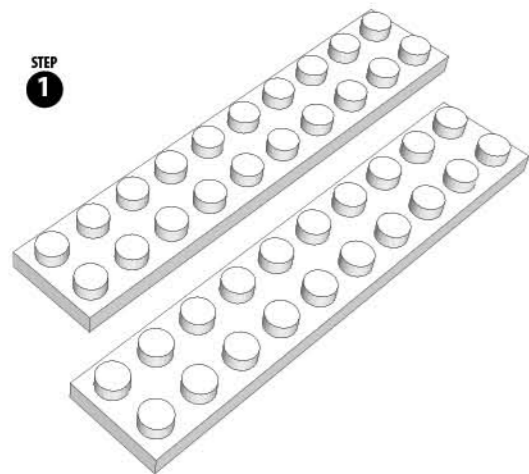
DRAGSTER TRUCK

Model
Difficulty
Level

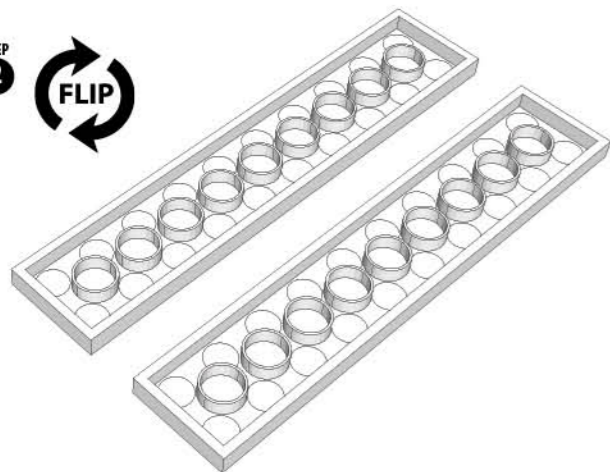
4



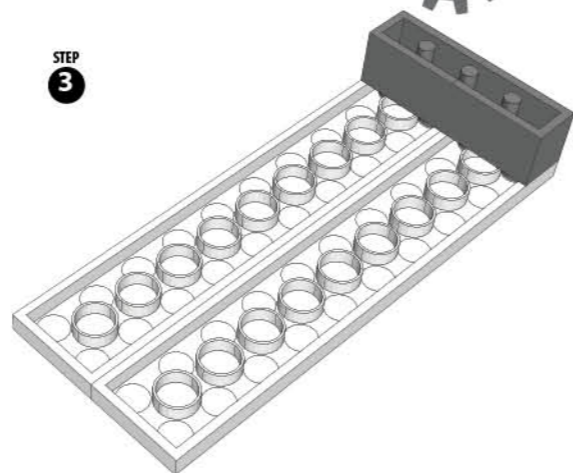
STEP 1



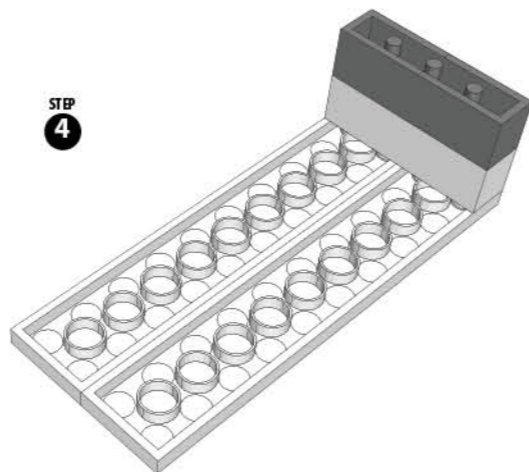
STEP 2



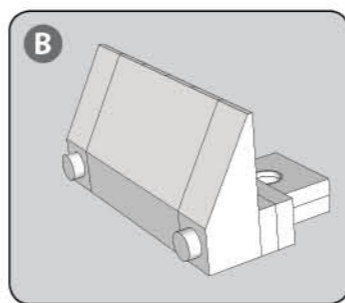
STEP 3



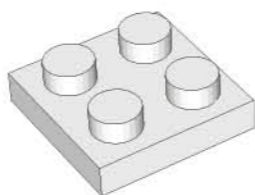
STEP 4



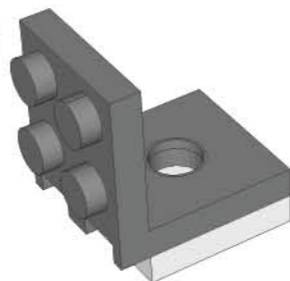
B



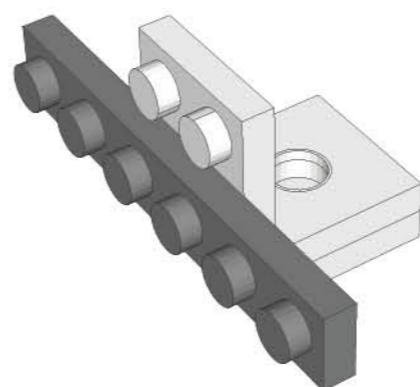
STEP 5



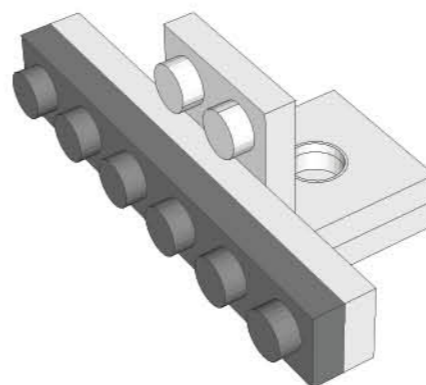
STEP 6



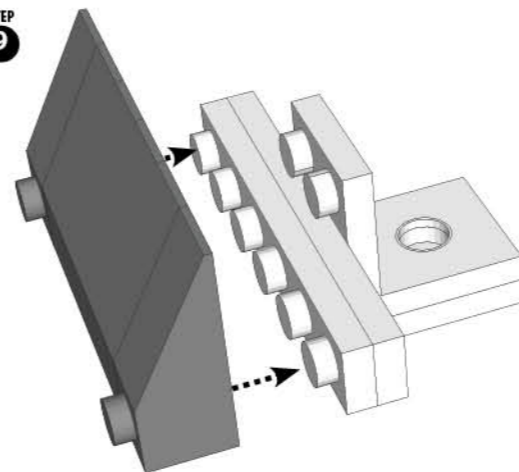
STEP 7



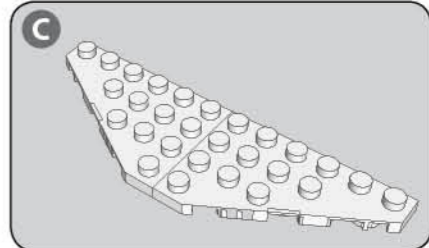
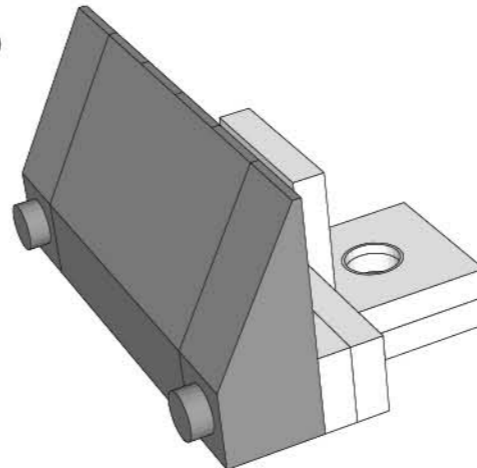
STEP 8



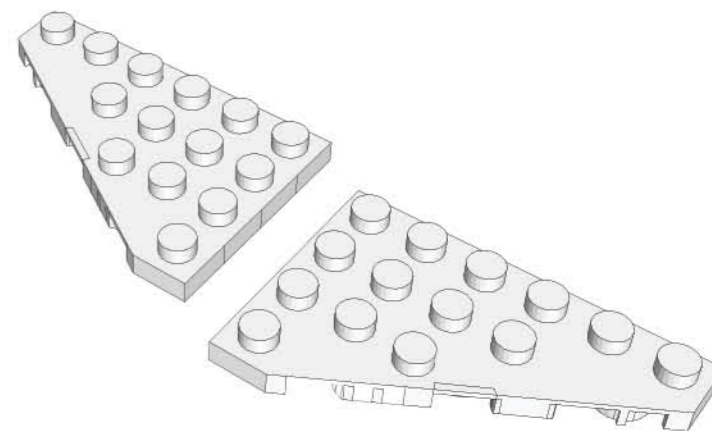
STEP 9



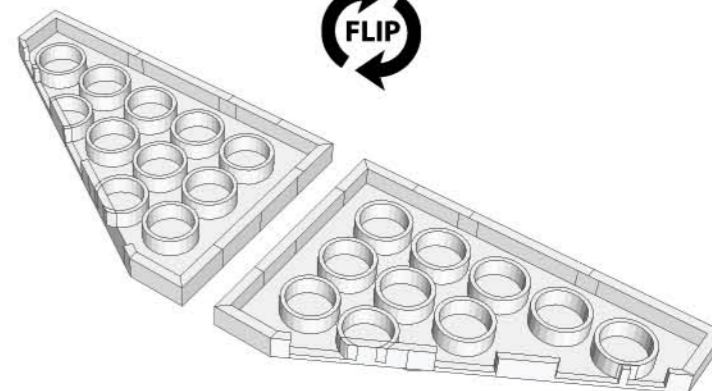
STEP 10



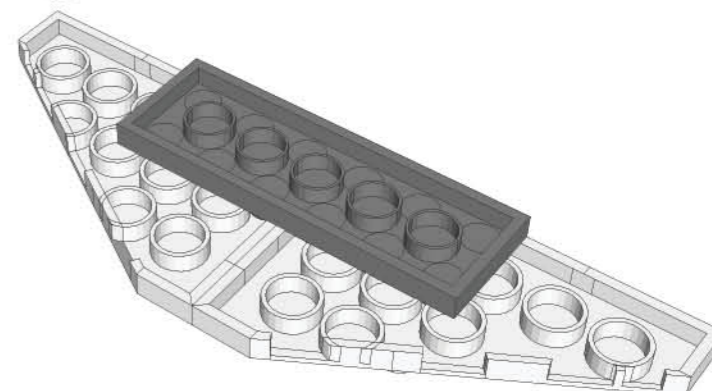
STEP 11



STEP 12



STEP 13



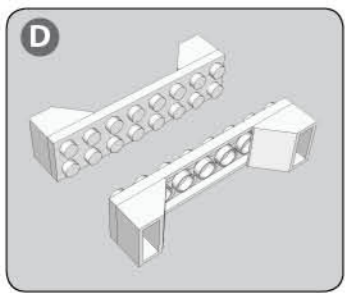
Environmental Phenomena

* The unit may malfunction if subjected to radio-frequency interference. It SHOULD revert to normal operation when the interference stops. If not, it may become necessary to turn the power off and back on, or remove and reinstall the batteries. * In the unlikely event of an electrostatic discharge, the unit may malfunction and lose memory, requiring the user to reset the device by removing and reinstalling the batteries.

MADE IN CHINA

www.LaserPegs.com

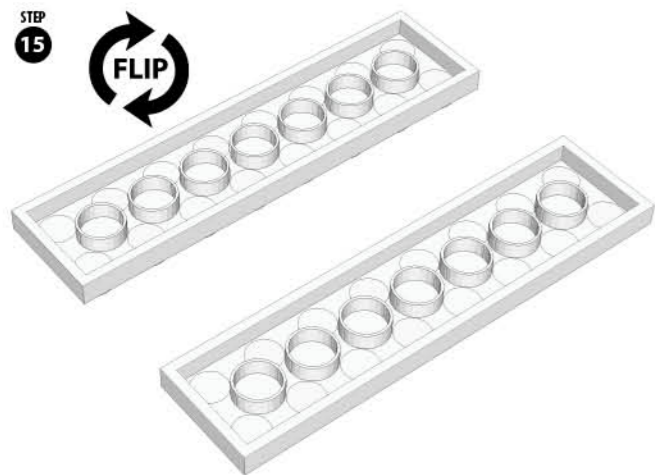
Copyright 2014 © All Rights Reserved Global & Multiple Patents Pending.
US Patent #7,731,558



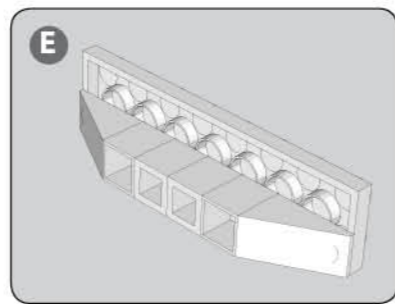
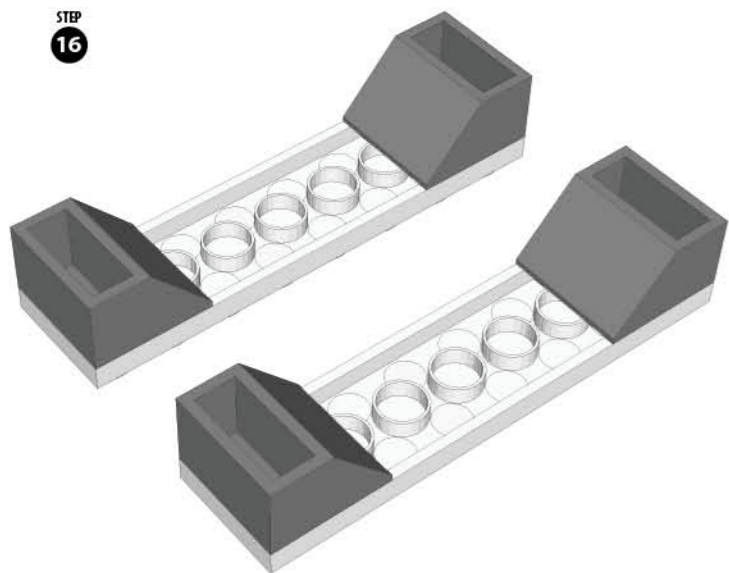
STEP 14



STEP 15



STEP 16



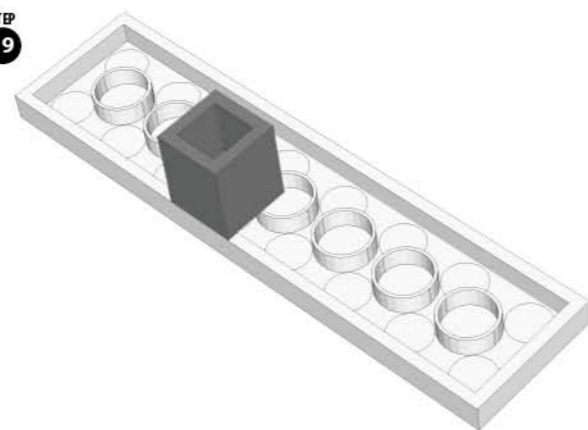
STEP 17



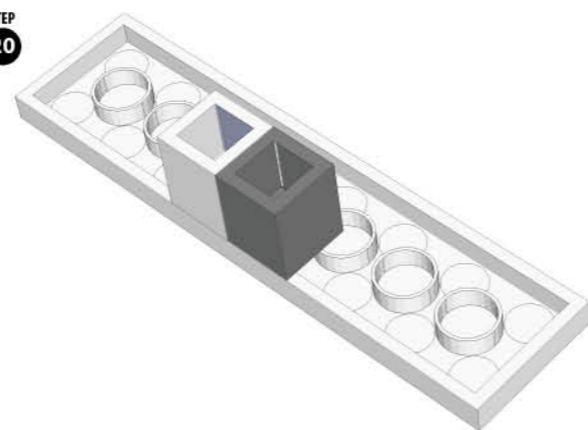
STEP 18



STEP 19



STEP 20



STEP 21

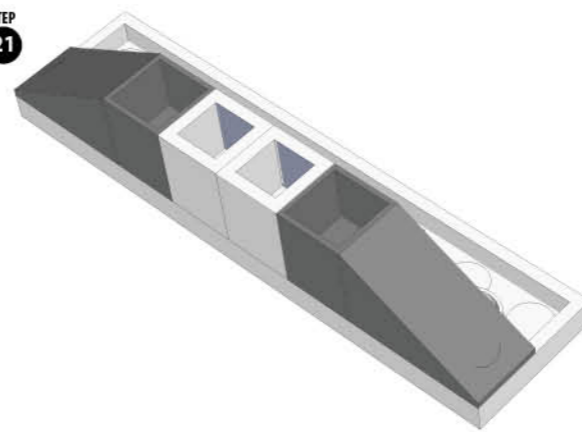
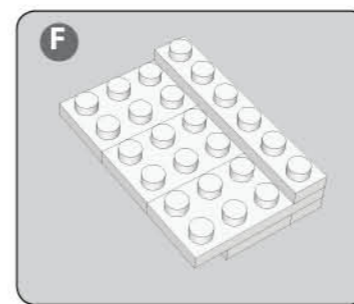
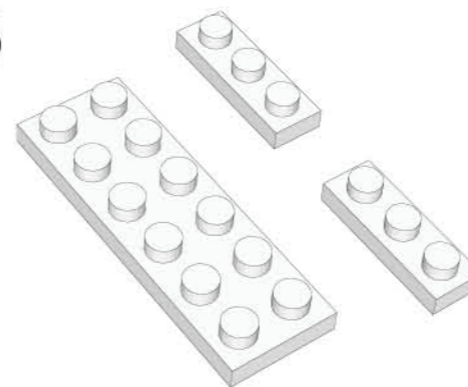


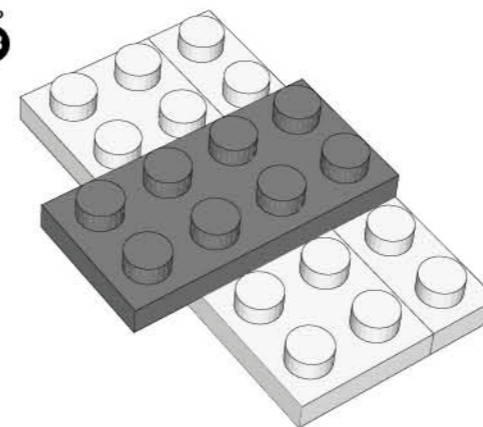
Diagram F



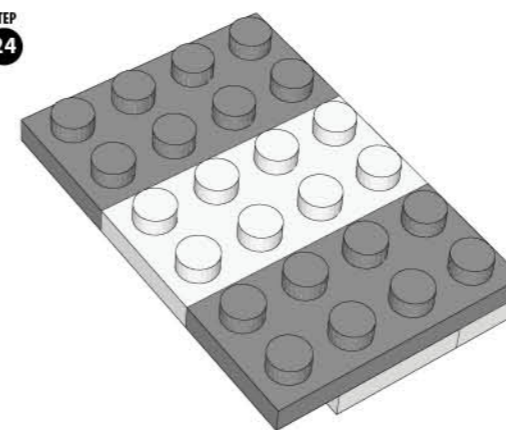
STEP 22



STEP 23



STEP 24



STEP 25

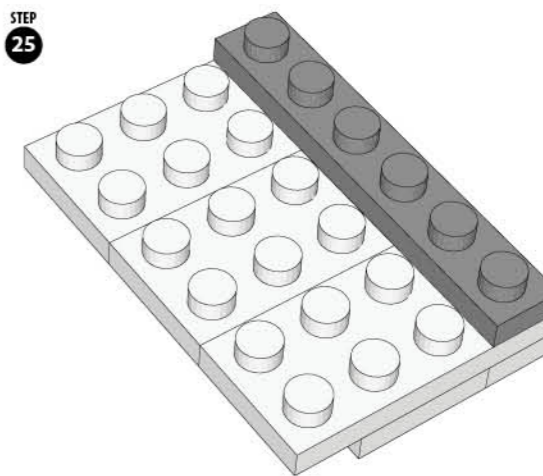
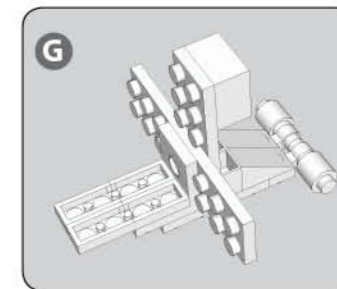


Diagram G



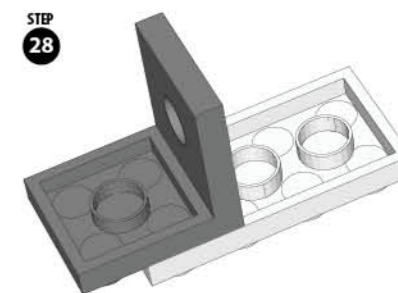
STEP 26



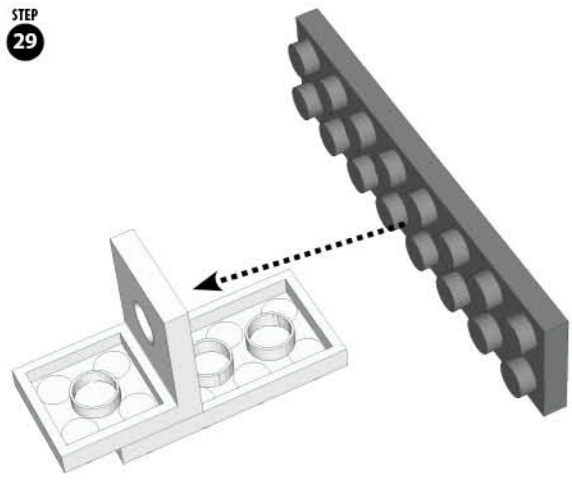
STEP 27



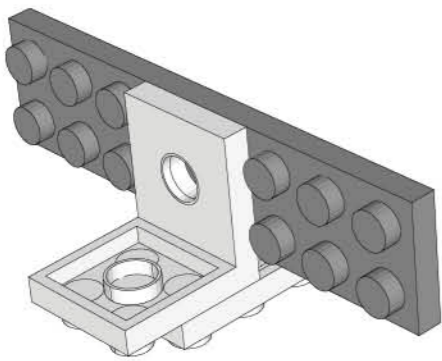
STEP 28



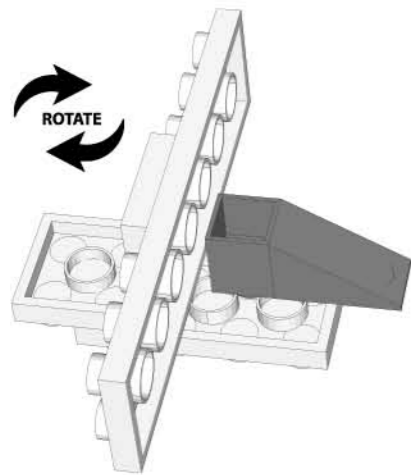
STEP 29



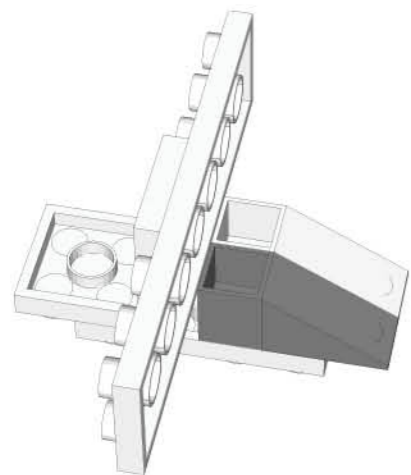
STEP 30



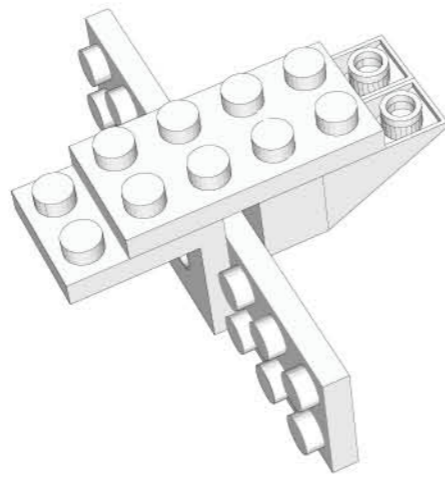
STEP 31



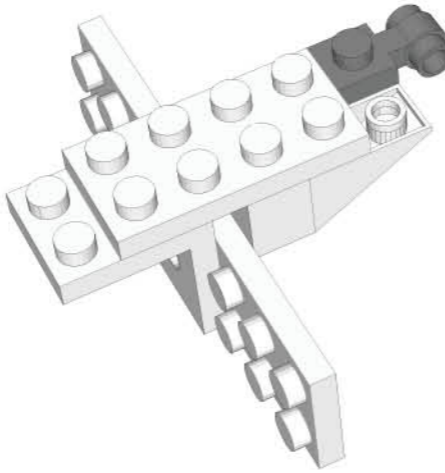
STEP 32



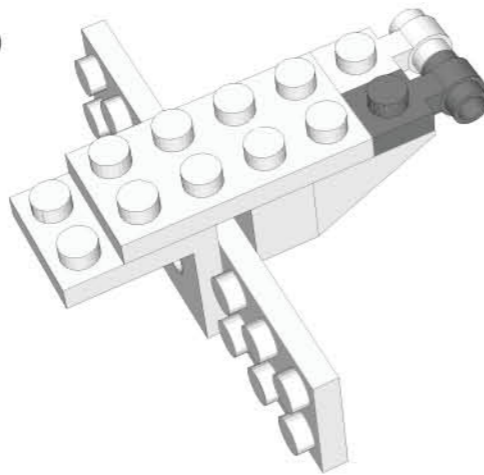
STEP 33
FLIP



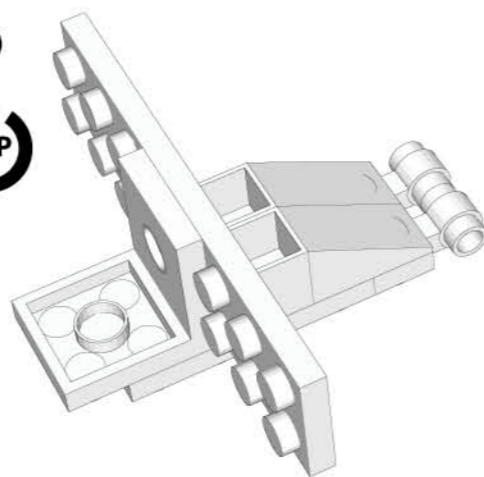
STEP 34



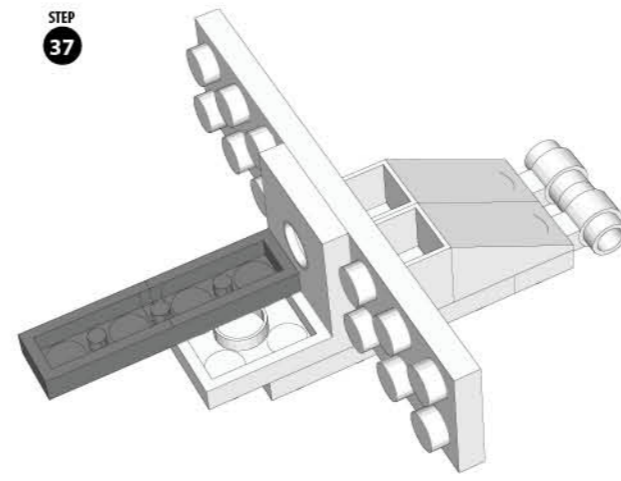
STEP 35



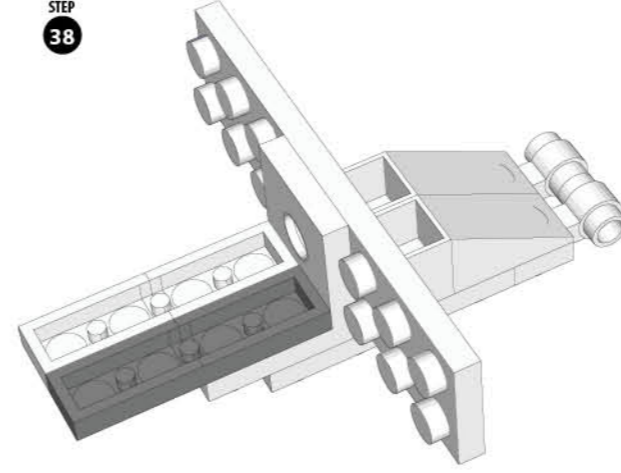
STEP 36
FLIP



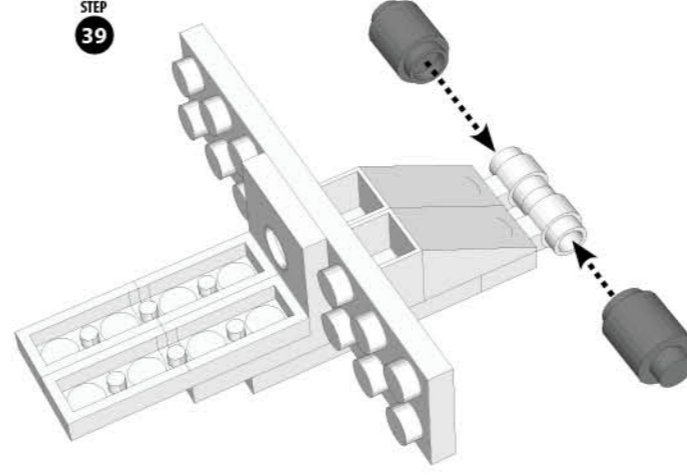
STEP 37



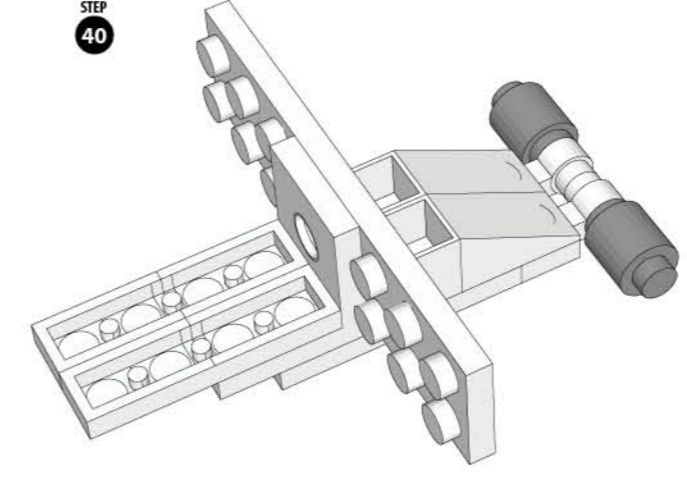
STEP 38



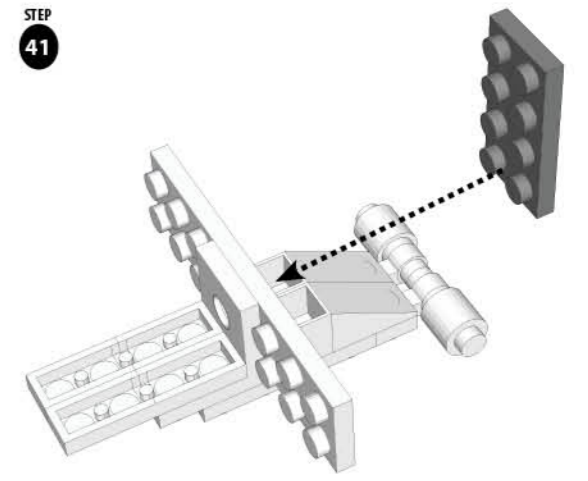
STEP 39



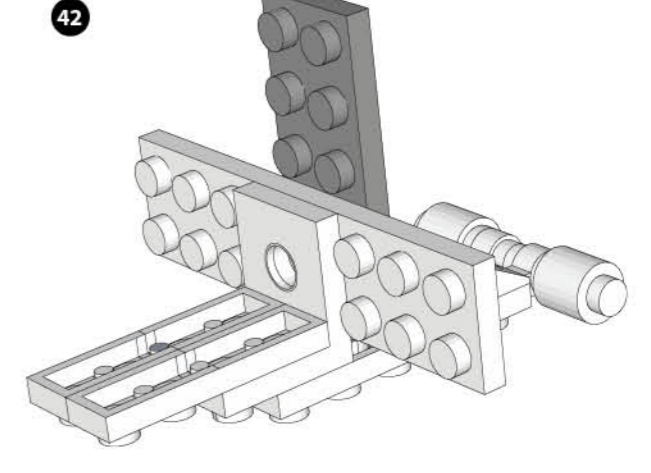
STEP 40



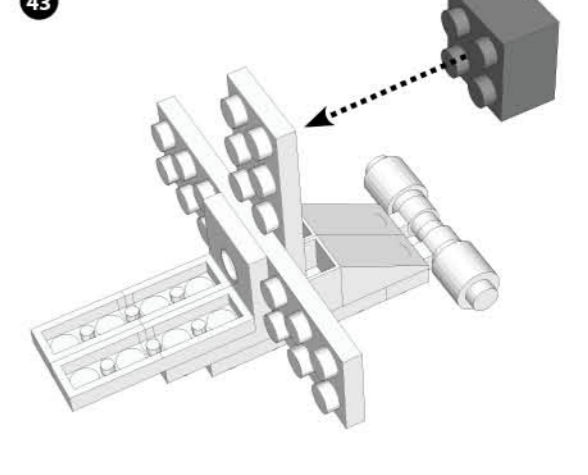
STEP 41



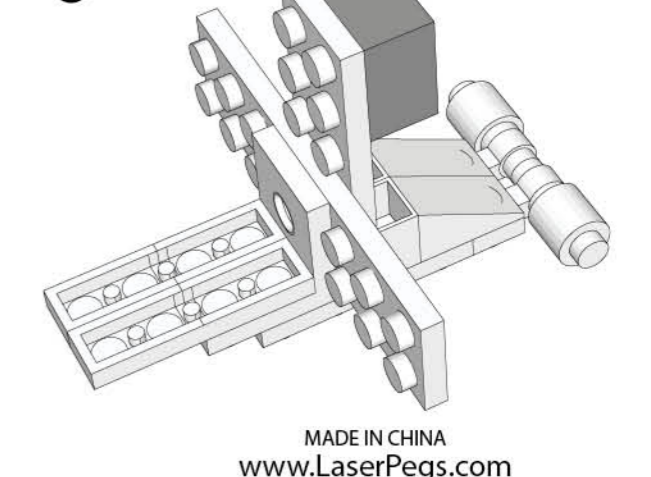
STEP 42

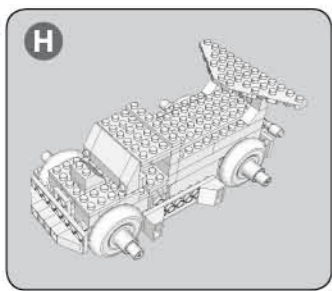


STEP 43

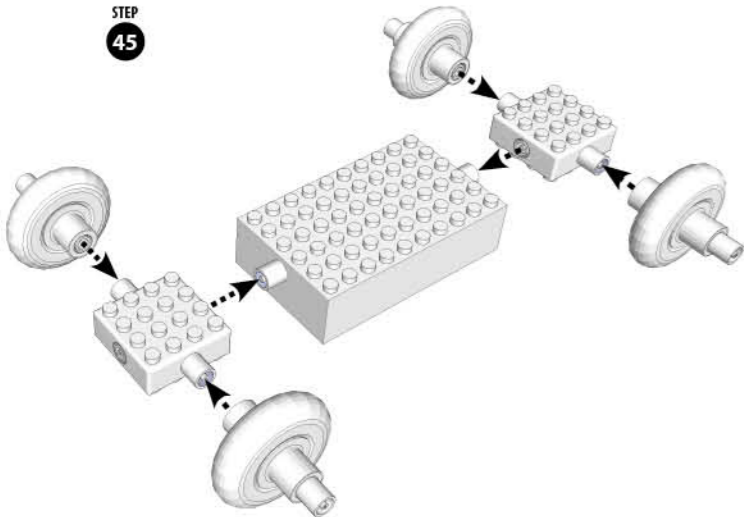


STEP 44

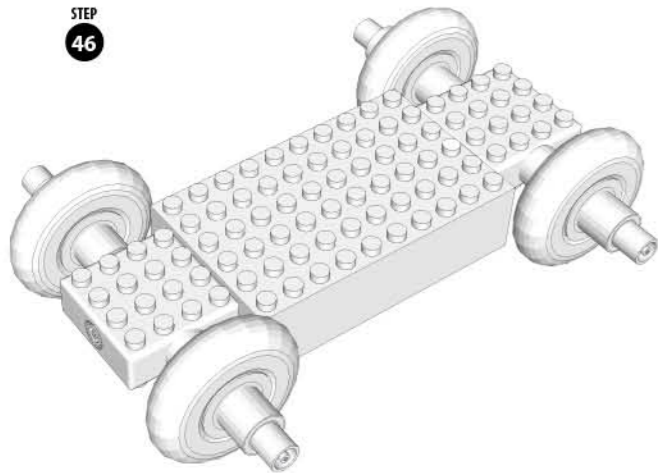




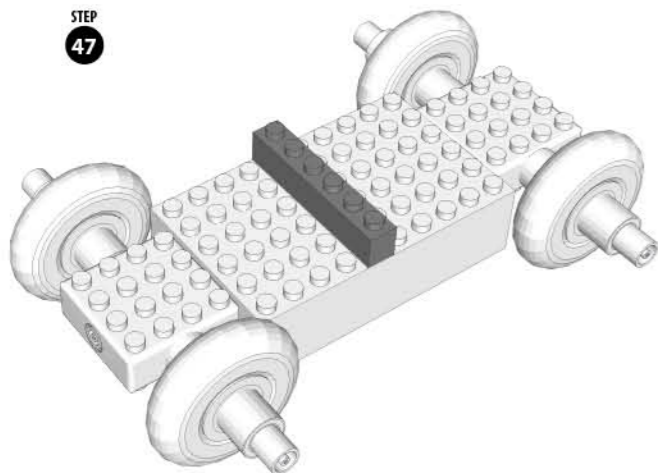
STEP 45



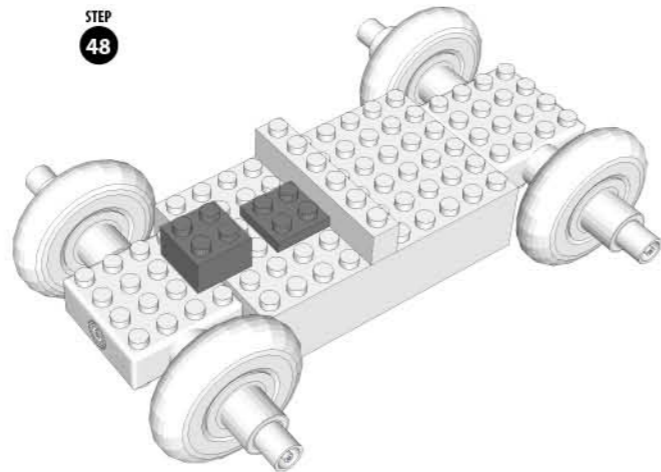
STEP 46



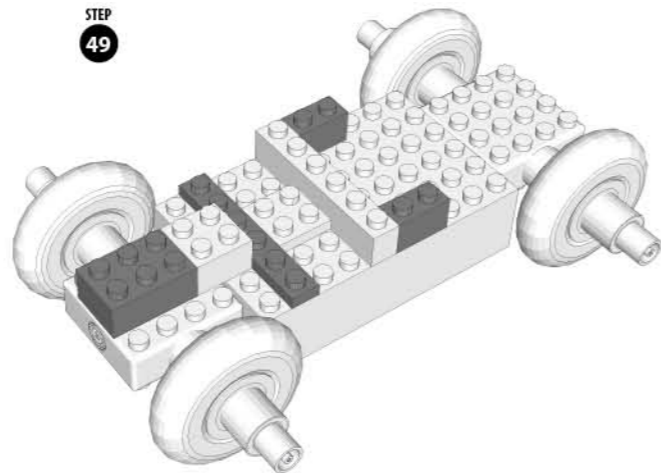
STEP 47



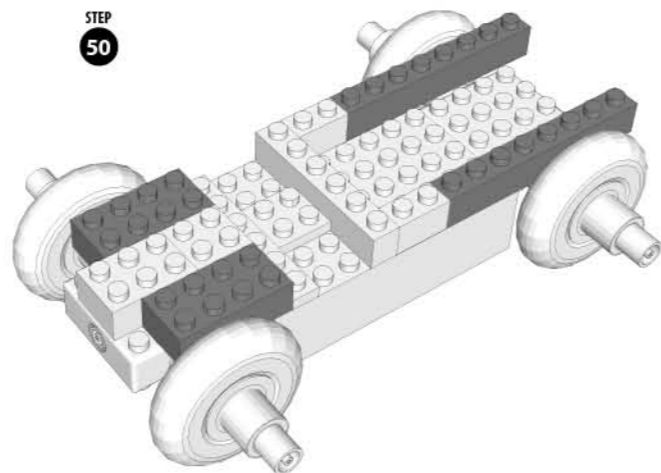
STEP 48



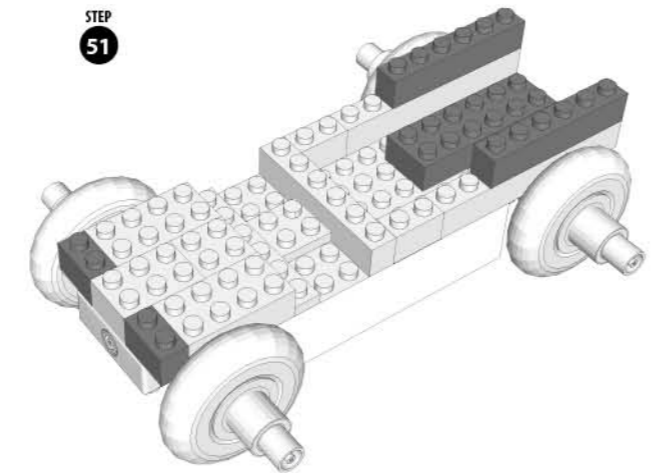
STEP 49



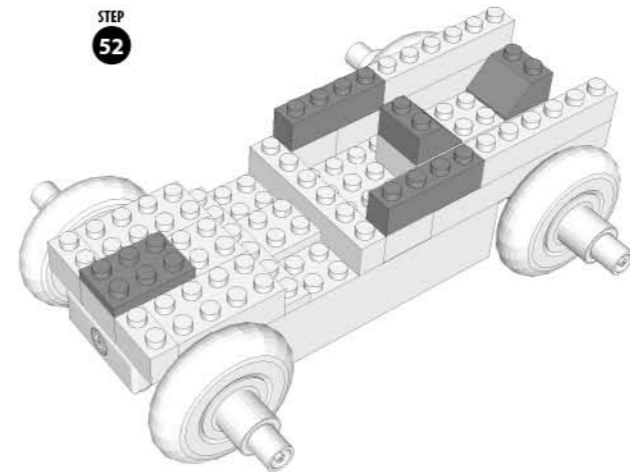
STEP 50



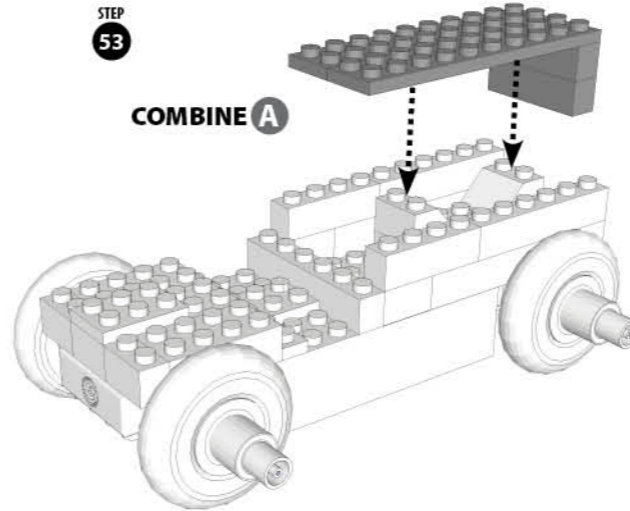
STEP 51



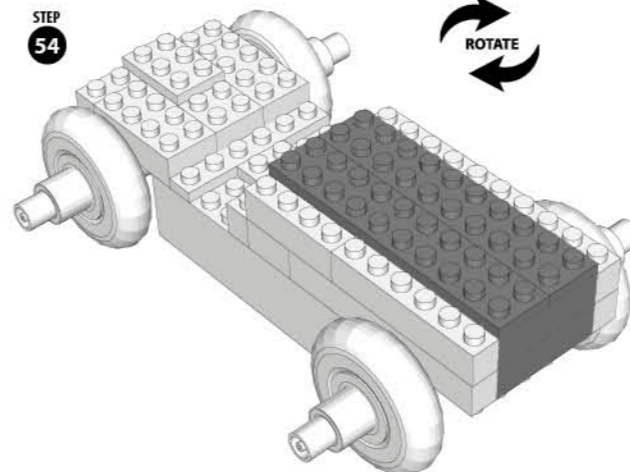
STEP 52



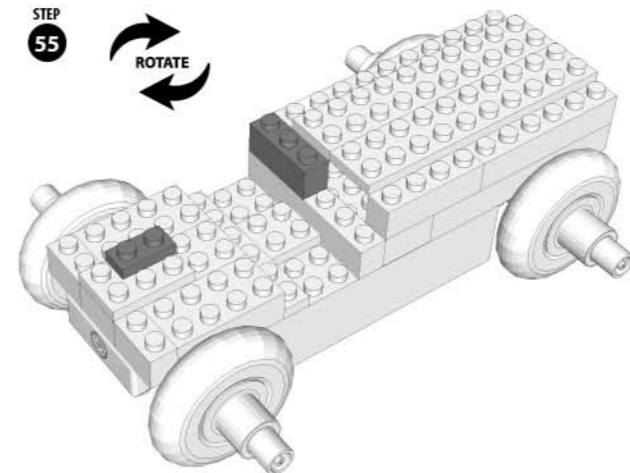
STEP 53



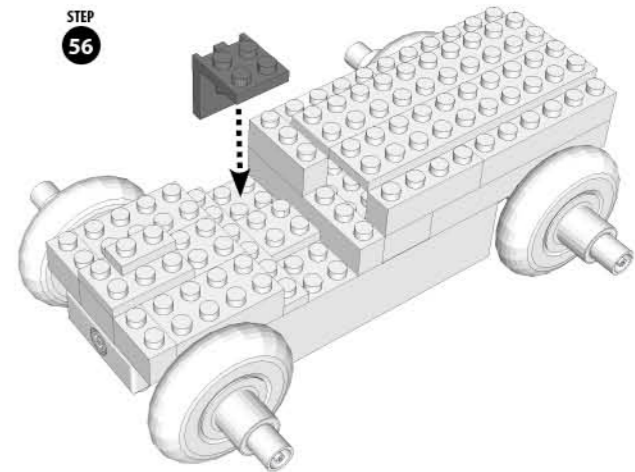
STEP 54



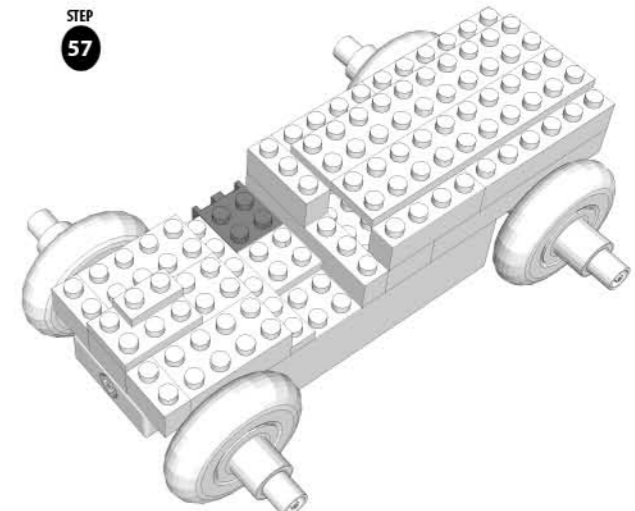
STEP 55



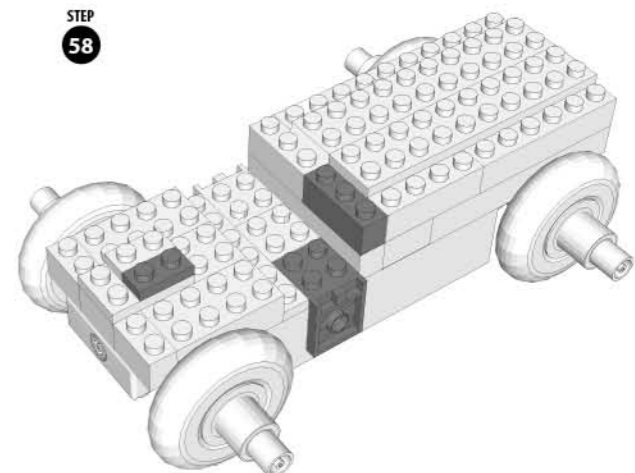
STEP 56



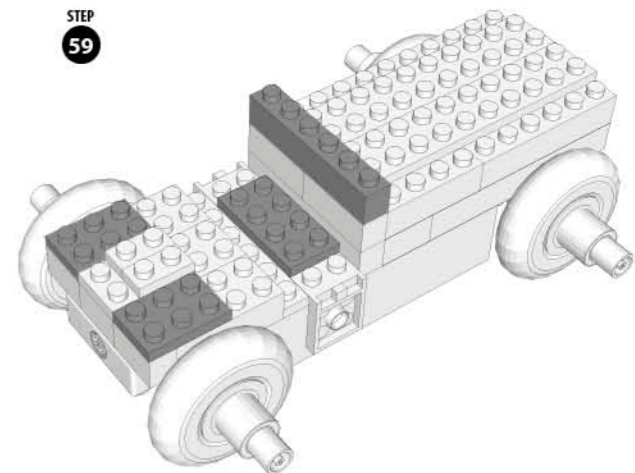
STEP 57



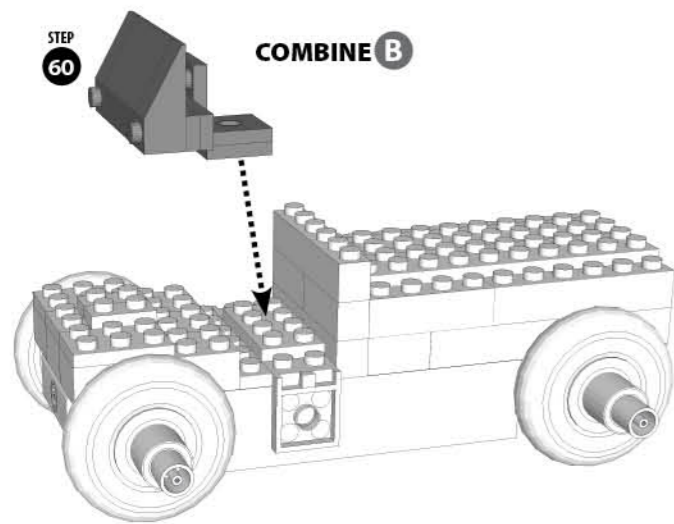
STEP 58



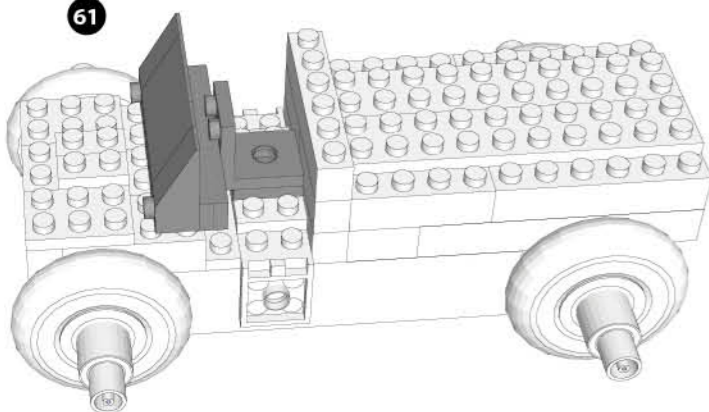
STEP 59



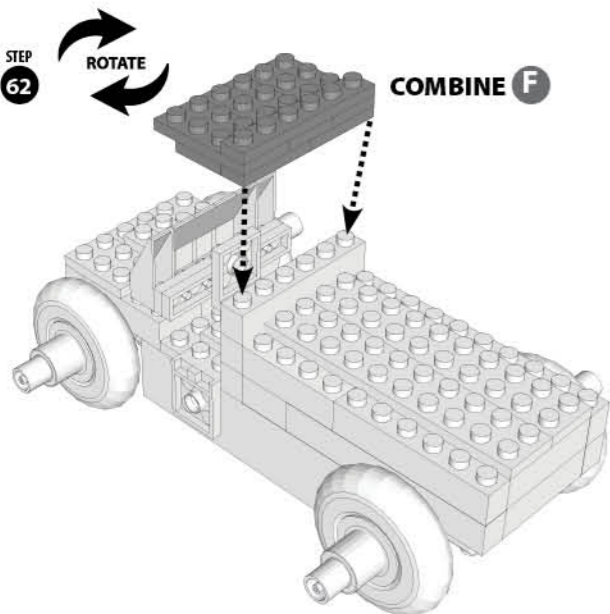
STEP 60 COMBINE B



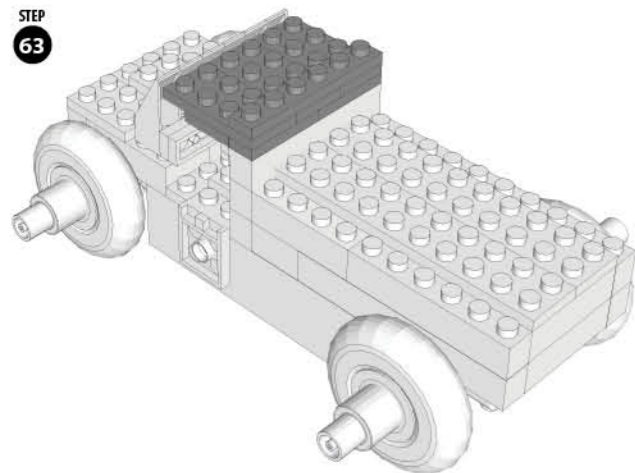
STEP 61



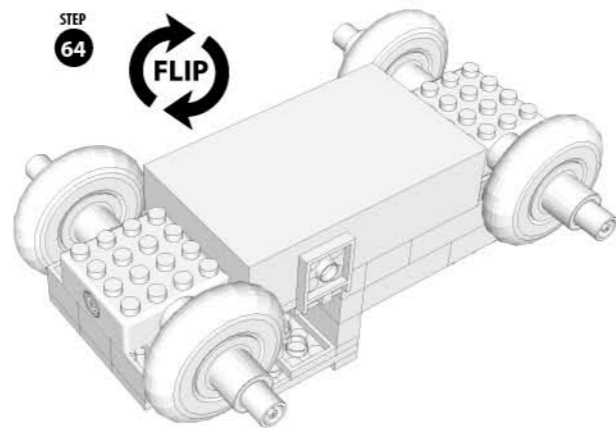
STEP 62 ROTATE COMBINE F



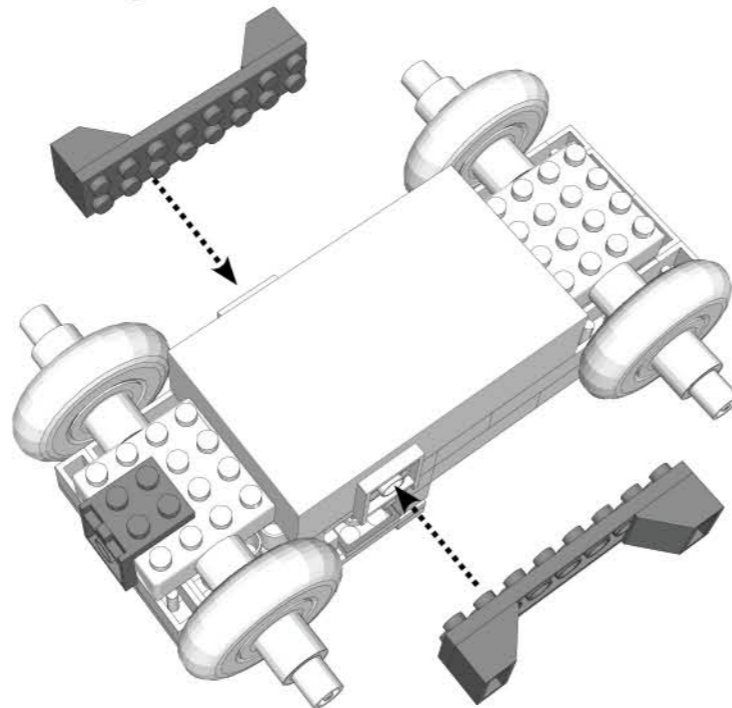
STEP 63



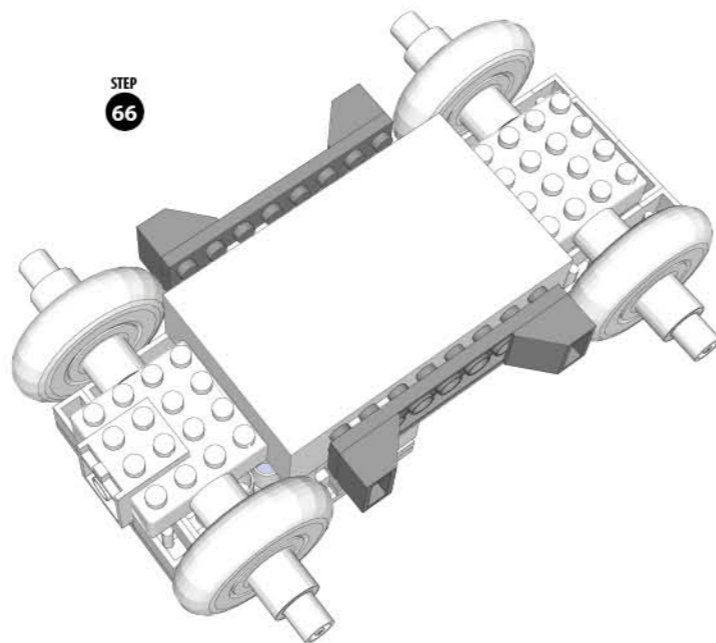
STEP 64 FLIP



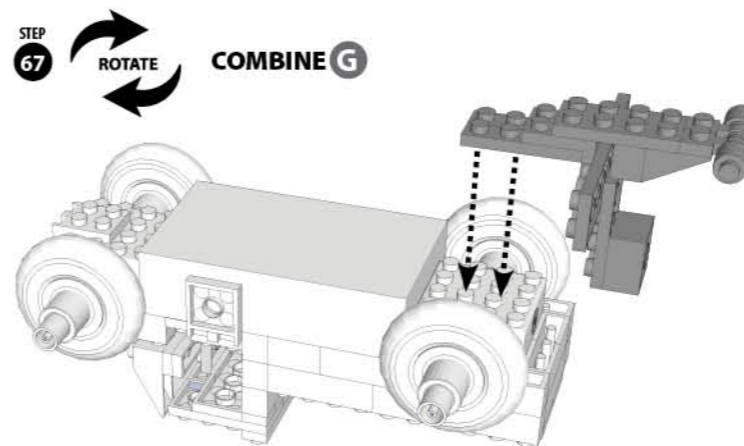
STEP 65 COMBINE D



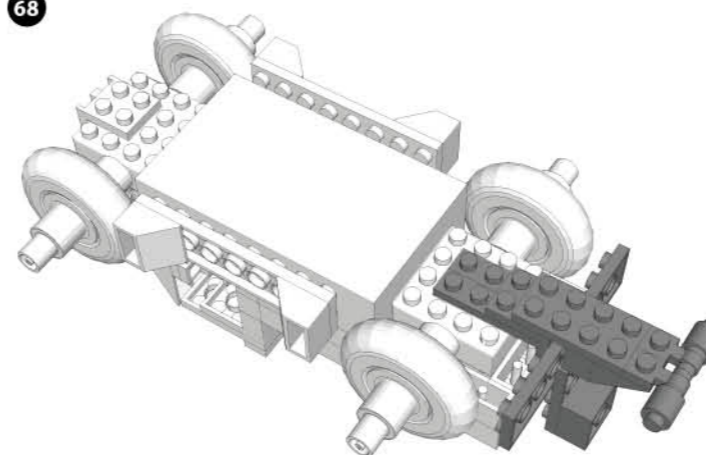
STEP 66



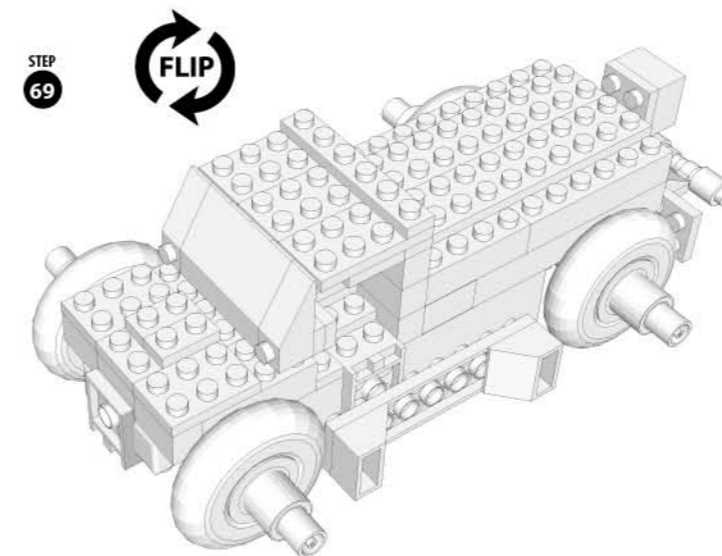
STEP 67 ROTATE COMBINE G



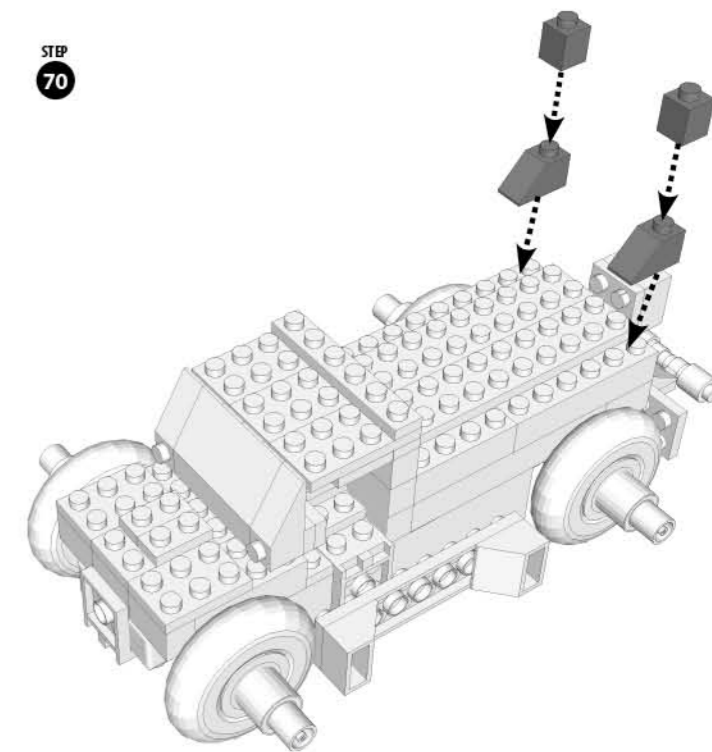
STEP 68



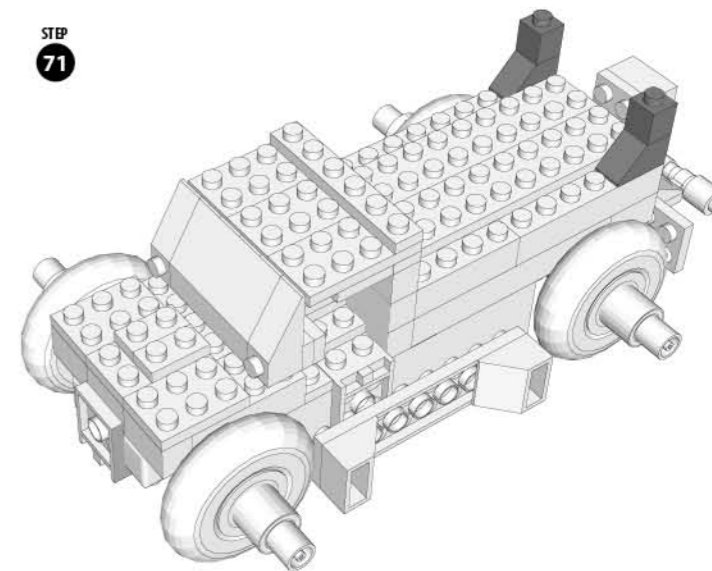
STEP 69



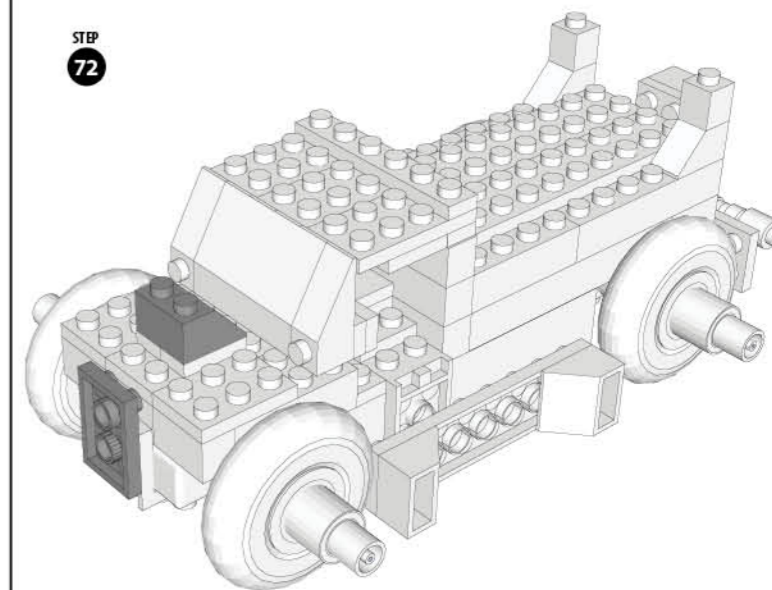
STEP 70



STEP 71

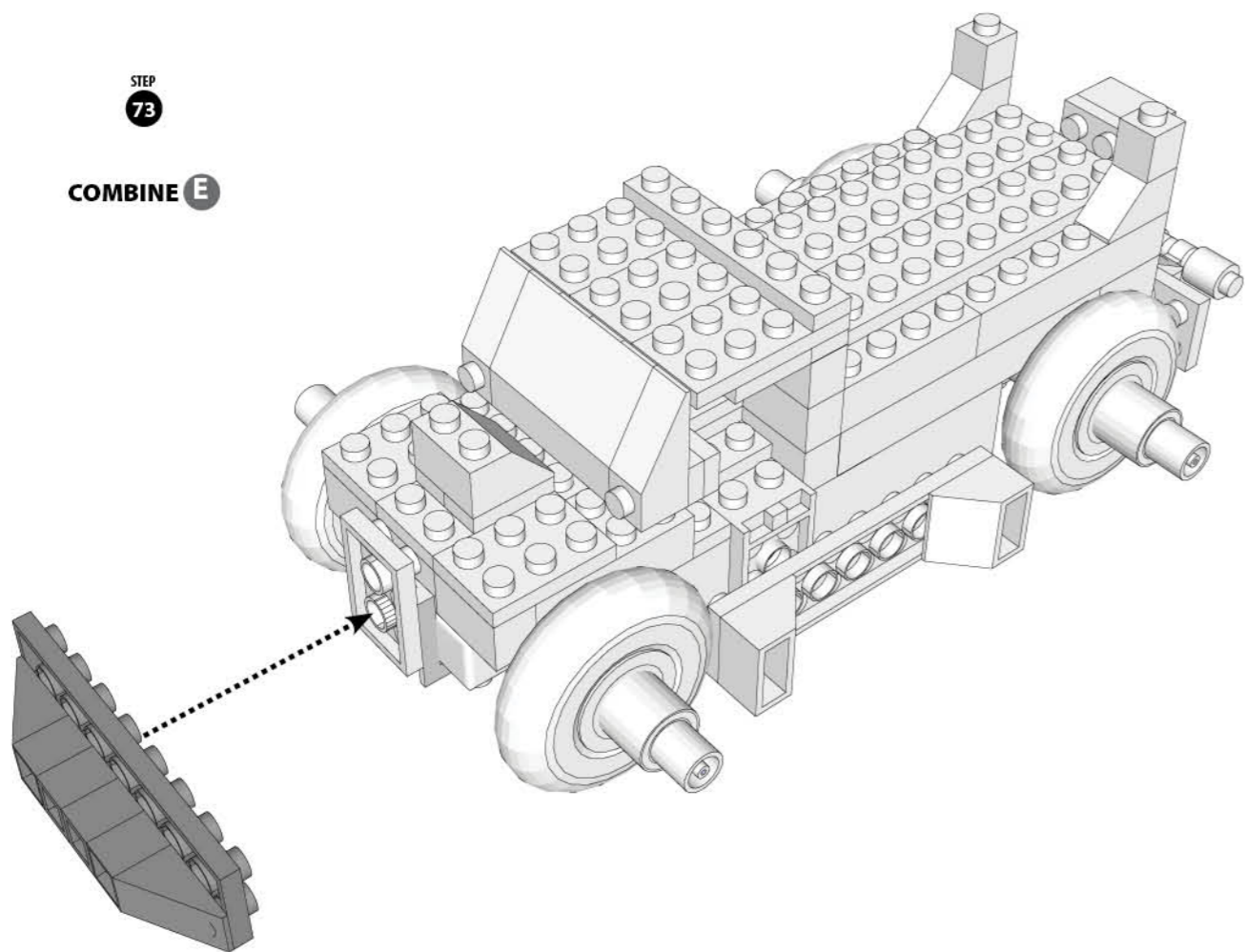


STEP 72

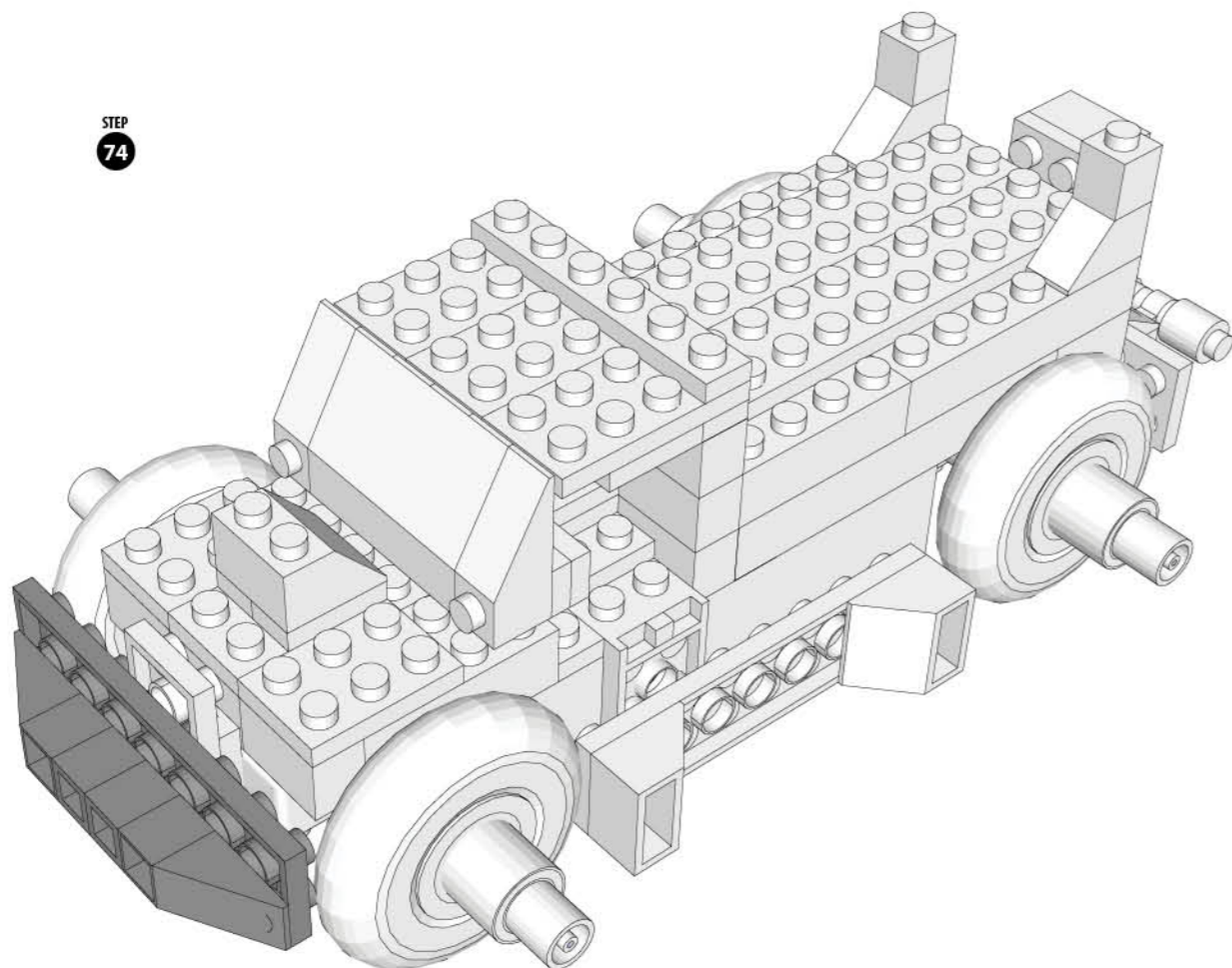


STEP
73

COMBINE E

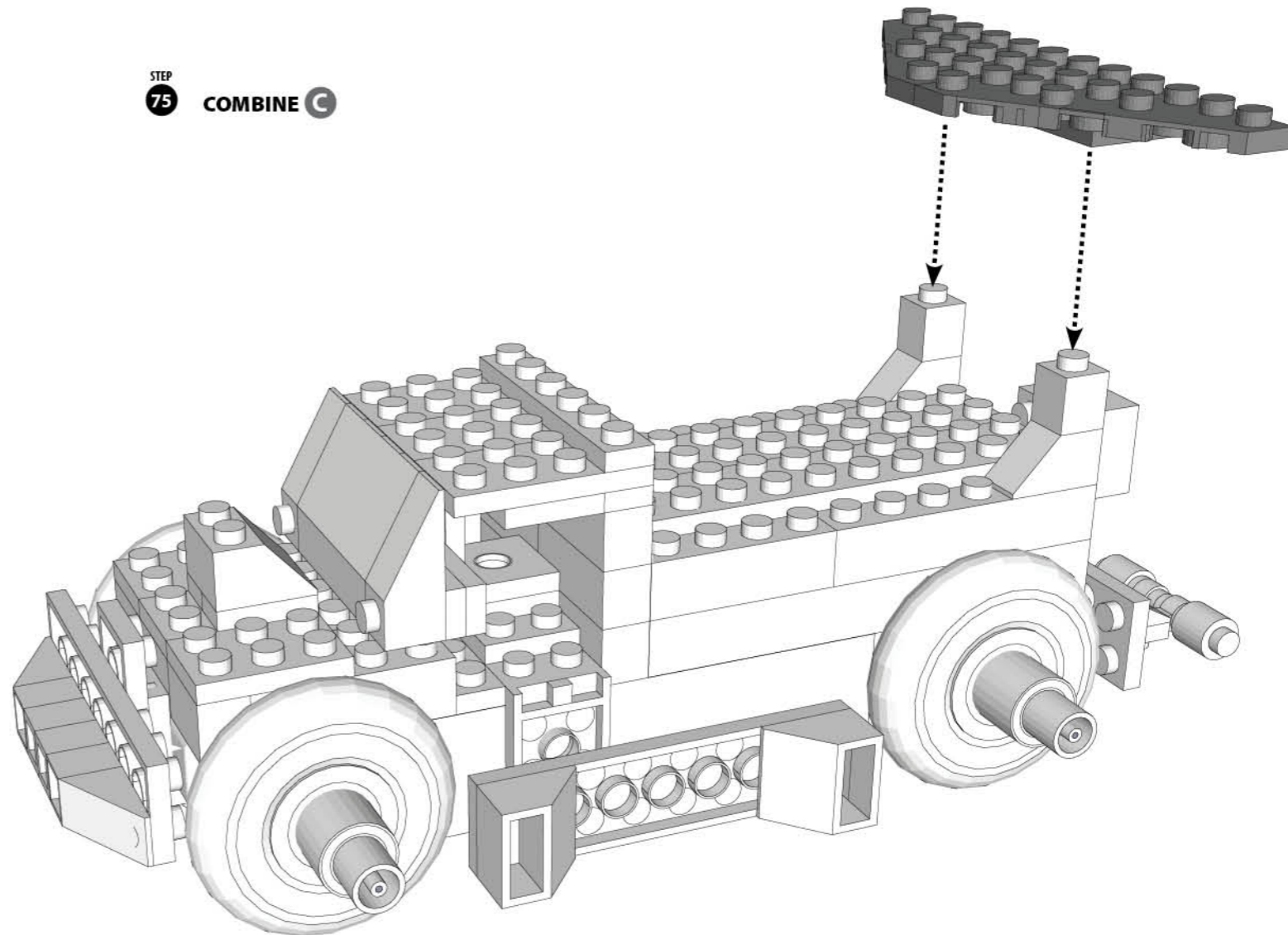


STEP
74

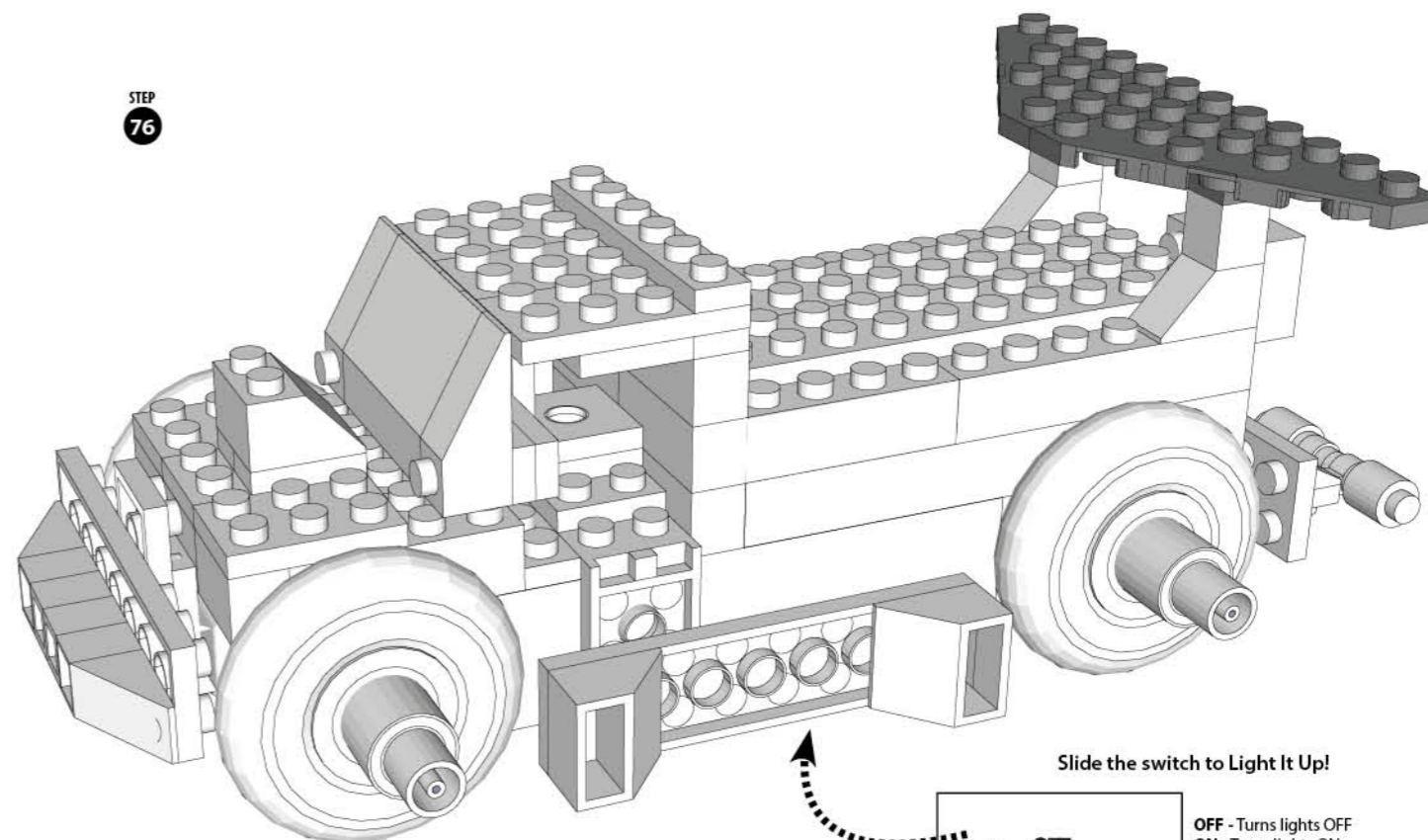


STEP
75

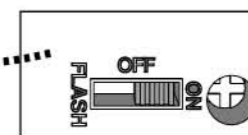
COMBINE C



STEP
76



Slide the switch to Light It Up!



OFF - Turns lights OFF
 ON - Turns lights ON
 FLASH - Makes lights FLASH

Laser Pegs® CARES
 Questions? Comments?
 For additional compliance info:
 1-866-432-3735
 Contact: Support@LaserPegs.com

MADE IN CHINA

www.LaserPegs.com

Copyright 2014 © All Rights Reserved Global & Multiple Patents Pending.
US Patent #7,731,558

LASER PEGS®

The Ultimate Construction Toy For Kids®

PBI430B

POWER BLOCK

TRUCK Series

Ages 5+

8 Models+

Any creation you can build

LIGHTED

MOBILE POWER BLOCK™ SET

INCLUDES:

- 100 Tinted Bricks
- 4 Tire Pegs
- 2 Square M-M Pegs
- 1 Mobile Power Block™

Requires 3 AAA Batteries

Batteries NOT Included

WARNING: CHOKING HAZARD-Small parts. Not for children under 3 yrs. Do not submerge in water.

DO NOT SUBMERGE IN WATER

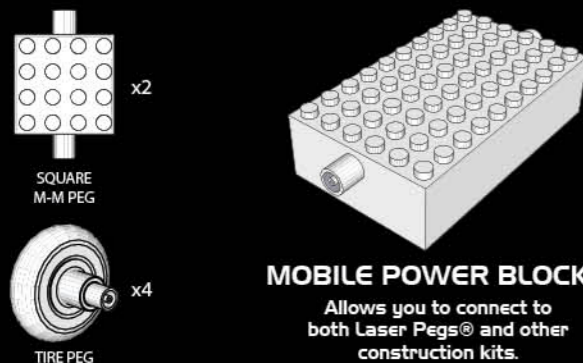
EN71, RoHS COMPLIANT

This product complies to all safety requirements of ASTM F 963

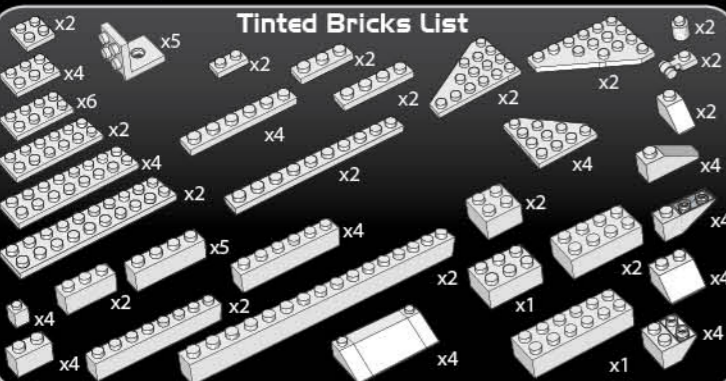
MODEL INSTRUCTIONS

All additional model instructions can be downloaded at www.LaserPegs.com

Laser Pegs® Parts List



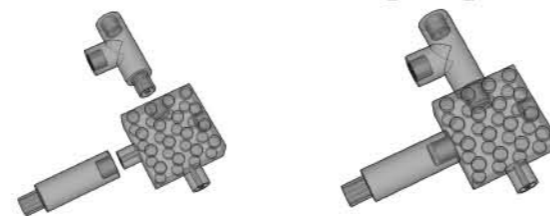
Color Code Each Laser Peg® is color coded on the circuit board inside each shape.



www.LaserPegs.com

This manual is copyright and cannot be reproduced or used online without Laser Pegs® Ventures LLC permission. Copyright 2014 © All Rights Reserved US Patent #7,731,558 Additional Global & Multiple Patents Pending. Laser Pegs® Ventures LLC, 8304 Consumer Ct., Sarasota FL 34240. Contact: Support@LaserPegs.com

Connecting Pegs



To construct with Laser Pegs®, slide two pieces together to form a connection. Slide each piece on and off smoothly.

POWER BLOCK

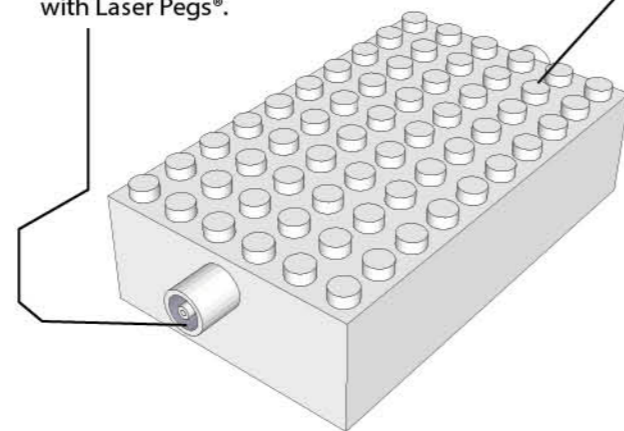
The Power Block is a Power Base that allows you to build with Laser Pegs® and construction parts to build models that light up. It is battery operated. (BATTERIES NOT INCLUDED.)

Laser Pegs® Connections

Allows you to construct with Laser Pegs®.

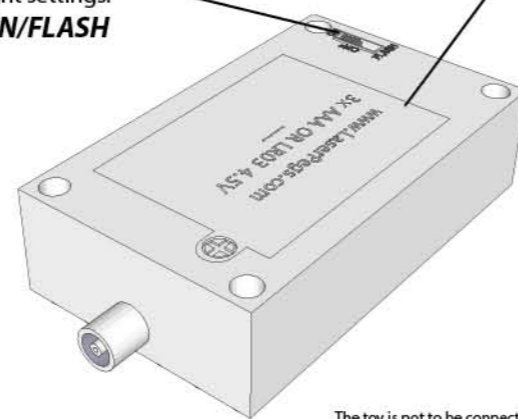
Construction Part Connections

Allows you to connect to other construction kits.



Power Switch

Move the Power Switch to cycle through the Power Block light settings.
OFF/ON/FLASH

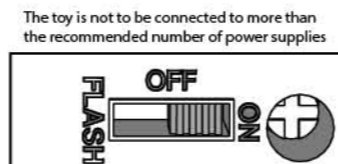


Battery Compartment

Requires 3-AAA Batteries (Batteries Not Included)

LIGHT SETTINGS

OFF - Turns lights OFF
ON - Turns lights ON
FLASH - Makes lights FLASH



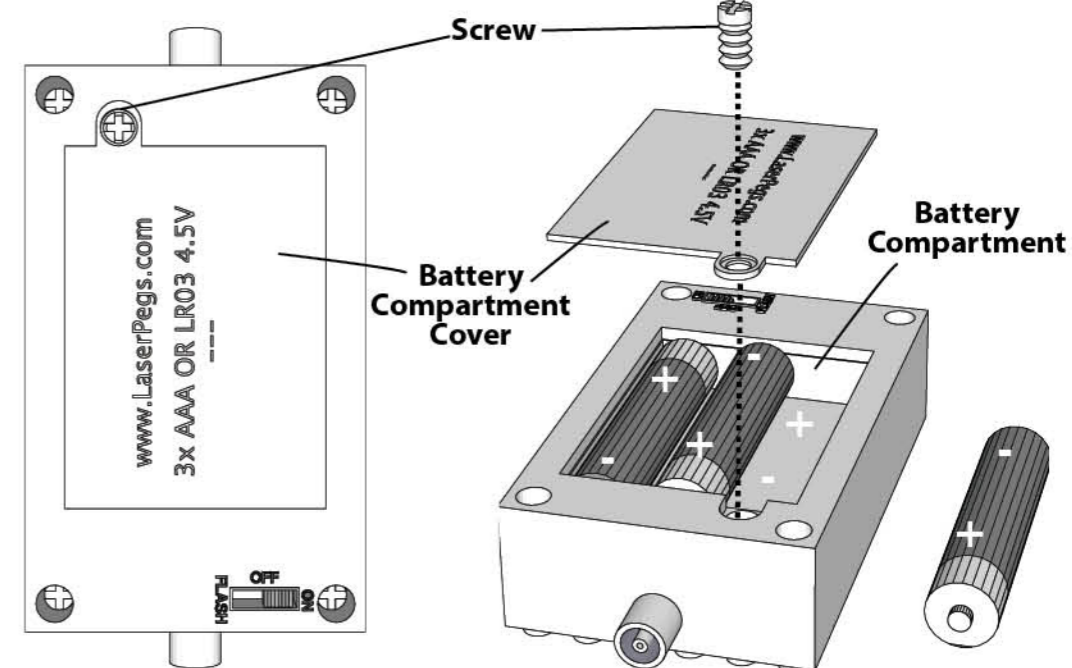
WARNING: STROBE LIGHTS MAY CAUSE SEIZURES

WARNING! Each Laser Peg® draws current from the batteries. Therefore, the more pegs you use, the quicker you will deplete your battery power! As the power weakens, the current will slowly fail and some Laser Pegs® will illuminate (typically the reds and yellows) and some won't. When the Laser Pegs® dim, the Laser Pegs® are not broken, they just need stronger batteries. You have 2 simple options...
1. Change the batteries.
2. Use high quality batteries. They will last a little longer, but they will still deplete rapidly the more Laser Pegs® you connect!

Replacing Batteries

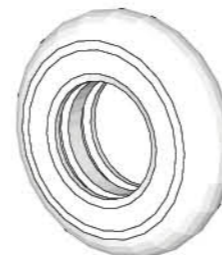
1. Remove Screw.
2. Lift off Battery Compartment Cover.
3. Place three (3) AAA batteries in the correct position - as displayed inside of the Power Block.
4. Replace Battery Compartment Cover and Screw.
5. Slide Power Switch setting to OFF/ON/FLASH.
6. Do not mix old and new batteries.
7. Do not mix alkaline, standard (carbon-zinc), or rechargeable (nickel-cadmium, NiMH) batteries!
8. Exhausted batteries are to be removed from the power base.
9. Never connect more than 30 Laser Pegs® at one time!
10. Non-rechargeable batteries are not to be recharged.
11. Rechargeable batteries are only to be recharged under adult supervision.
12. Rechargeable batteries are to be removed from the toy before being recharged.
13. Batteries are to be inserted with the correct polarity.
14. The supply terminals are not to be short-circuited.
15. DO NOT THROW BATTERIES INTO FIRE!

Remove the Phillips head screw with a 4mm screw driver.
Requires 3-AAA Batteries
Batteries NOT Included



Requires 3-AAA Batteries

Connecting the Laser Pegs® Tire to the Axle Peg

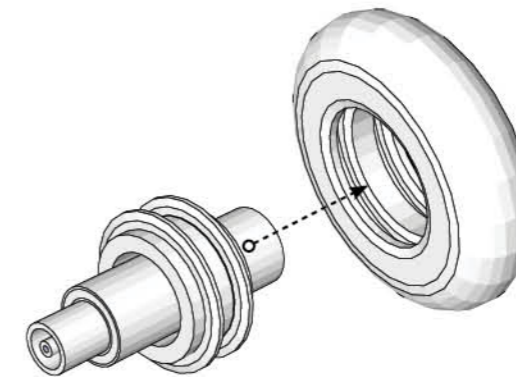


Tire

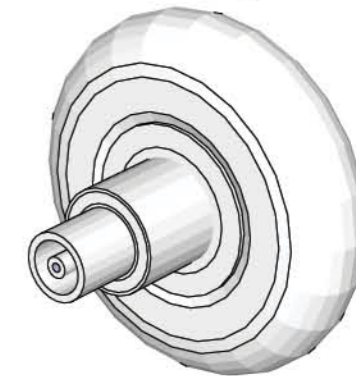


Axle Peg

Place Axle Peg through the Tire



Tire Peg

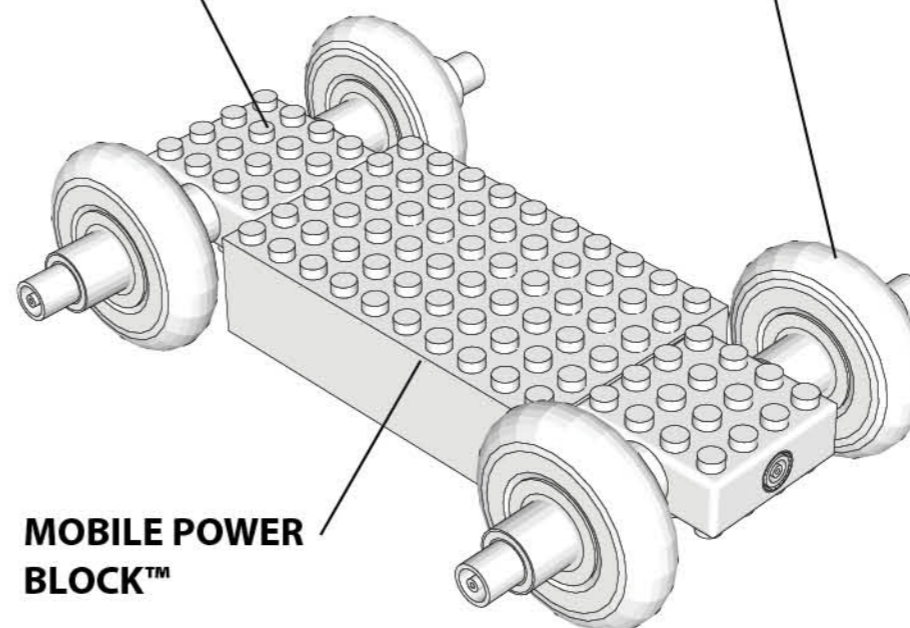


POWER BLOCK™

Use the Laser Pegs® Square M-M Peg to attach the Tire Pegs to the Power Block™.

Laser Pegs® Square M-M Peg

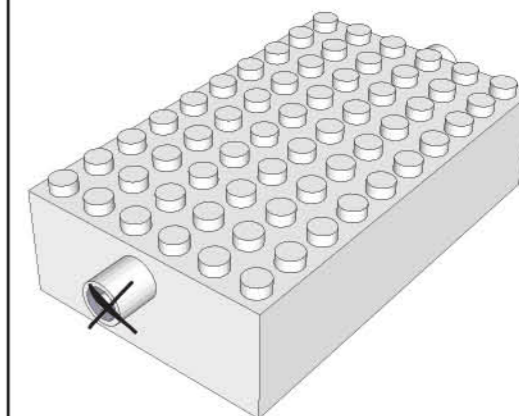
Tire Peg



MOBILE POWER BLOCK™

AVOID DAMAGE TO PEG HOLES

*To avoid short-circuits, keep metal objects and other unauthorized materials from obstructing the peg holes.



Never connect more than 30 Laser Pegs® to the Power Block at one time.

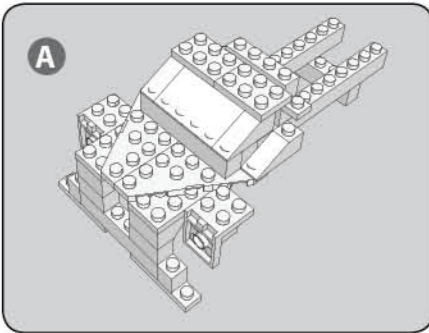
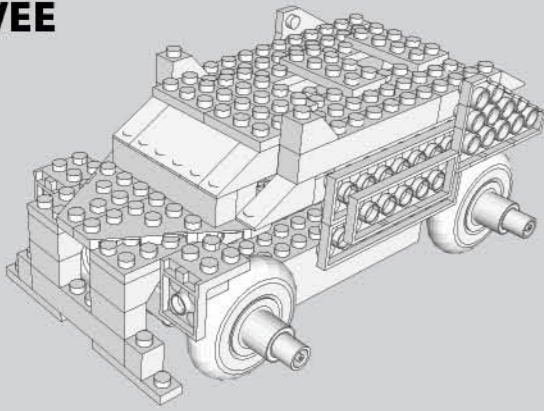
HUMVEE: The High Mobility Multipurpose Wheeled Vehicle (HMMWV), commonly known as the Humvee, is a four-wheel drive military automobile that has largely replaced older Military light utility vehicles.



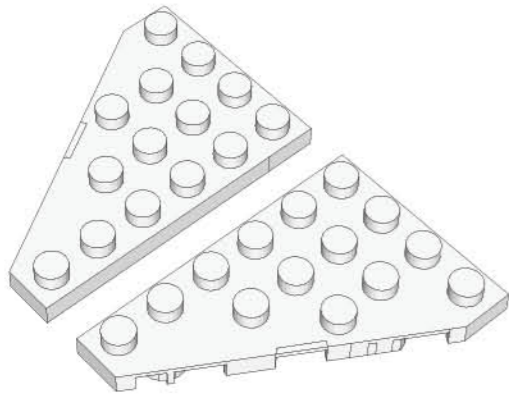
HUMVEE

Model
Difficulty
Level

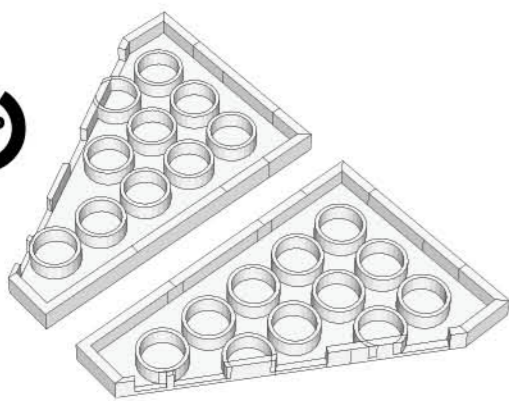
4



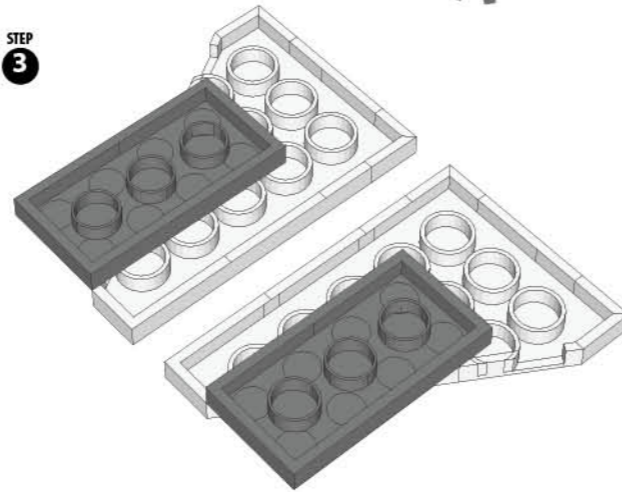
STEP 1



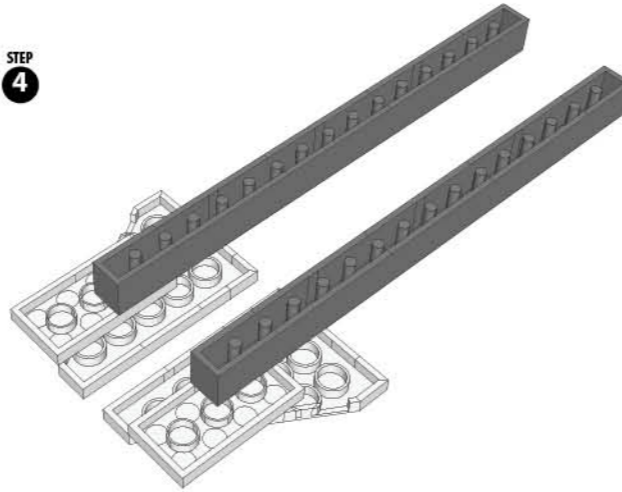
STEP 2



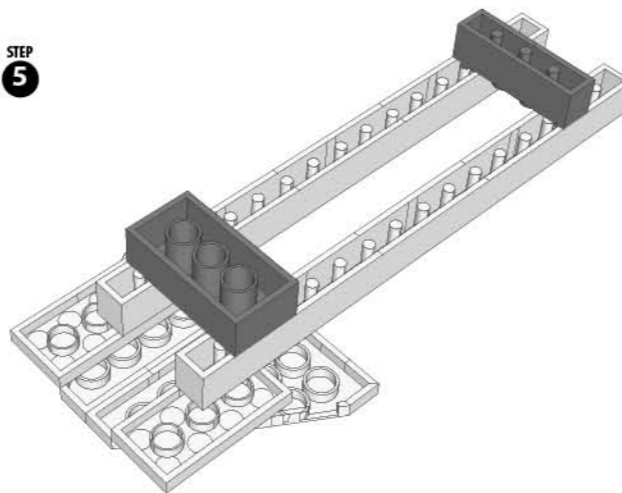
STEP 3



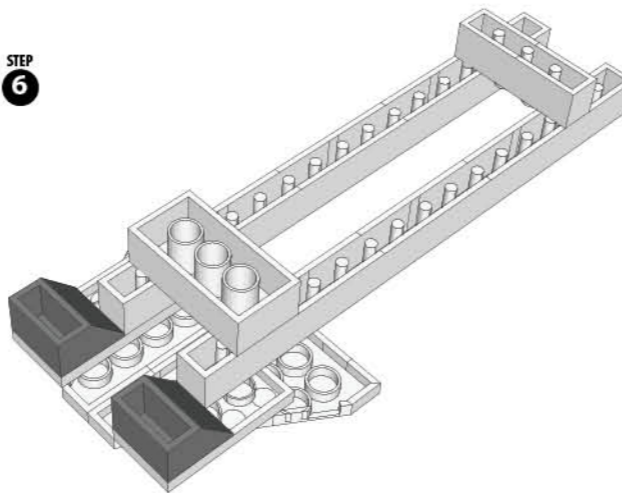
STEP 4



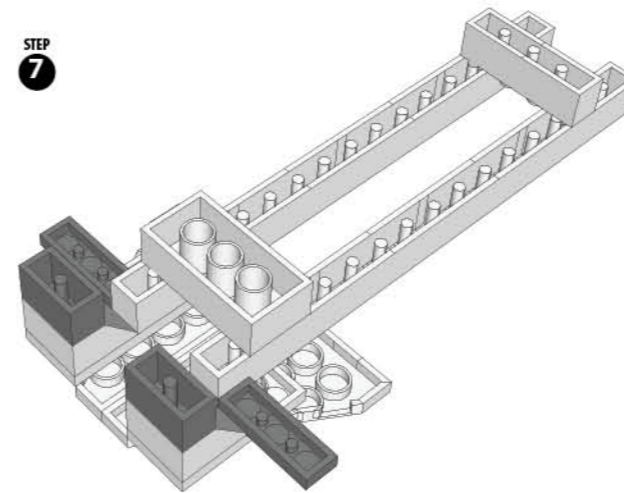
STEP 5



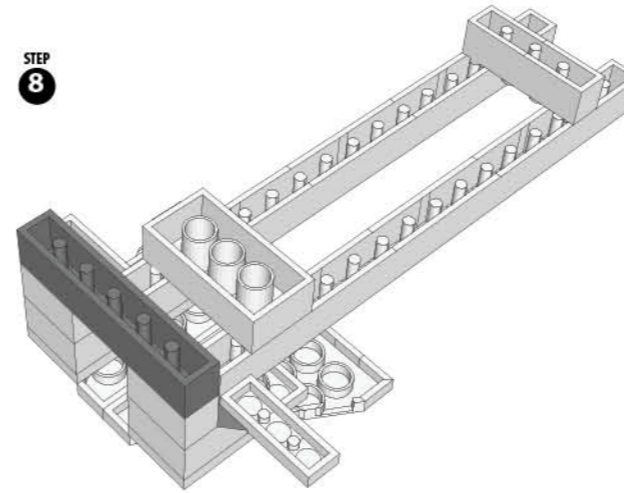
STEP 6



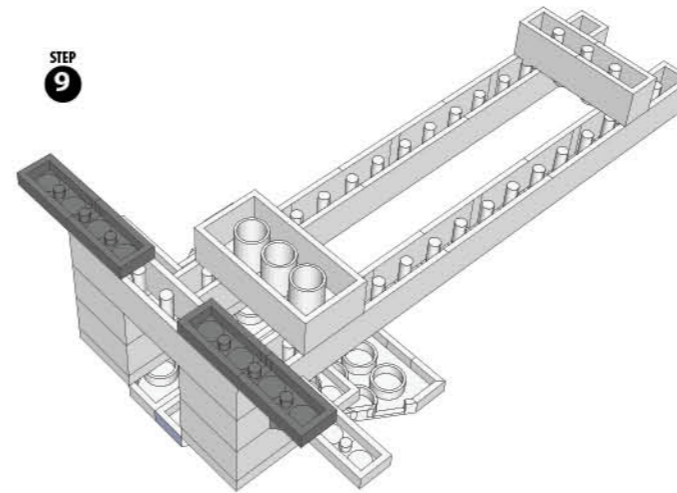
STEP 7



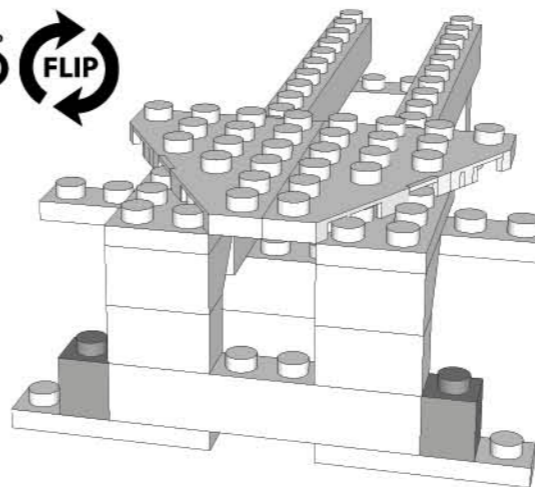
STEP 8



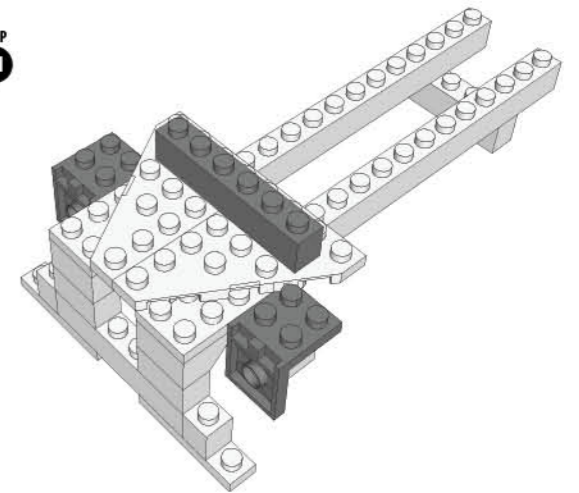
STEP 9



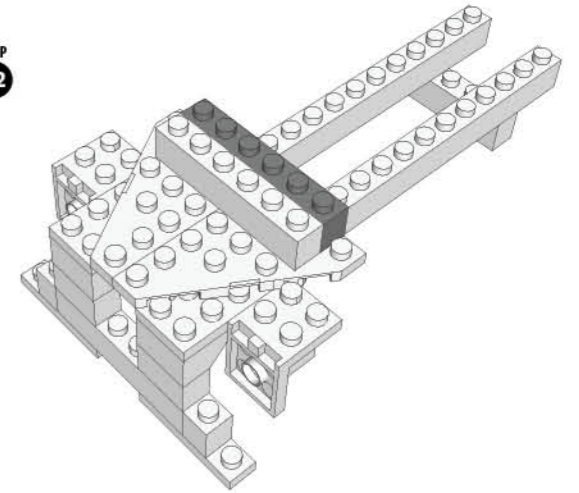
STEP 10



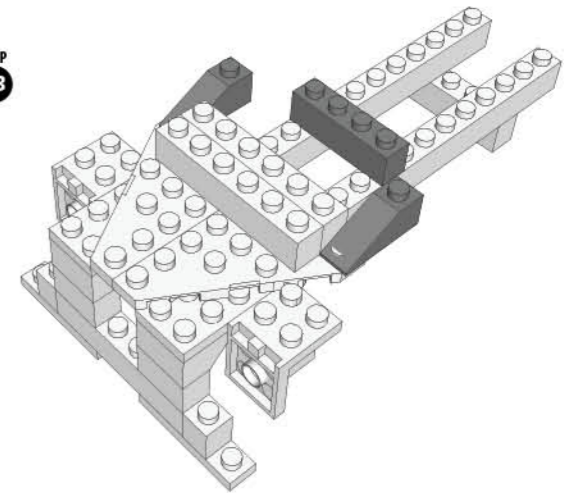
STEP 11



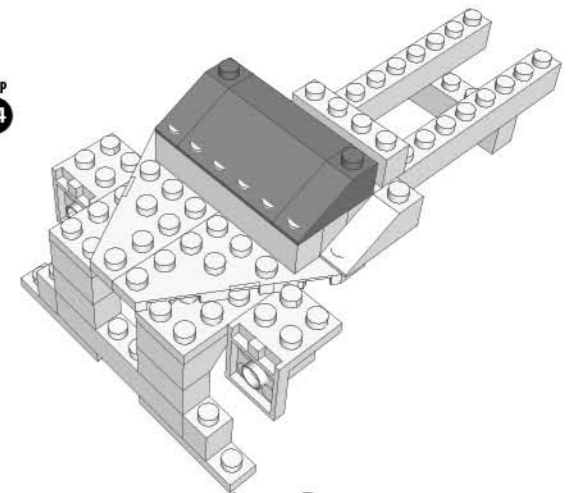
STEP 12



STEP 13

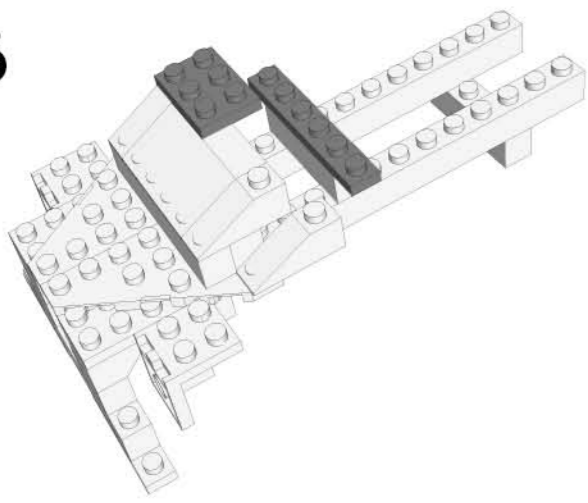


STEP 14

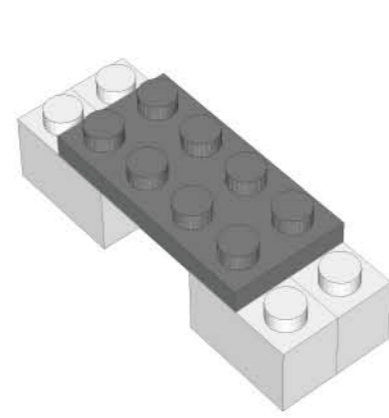


Laser Pegs® CARES
Questions? Comments?
For additional compliance info:
1-866-432-3735
Contact: Support@LaserPegs.com

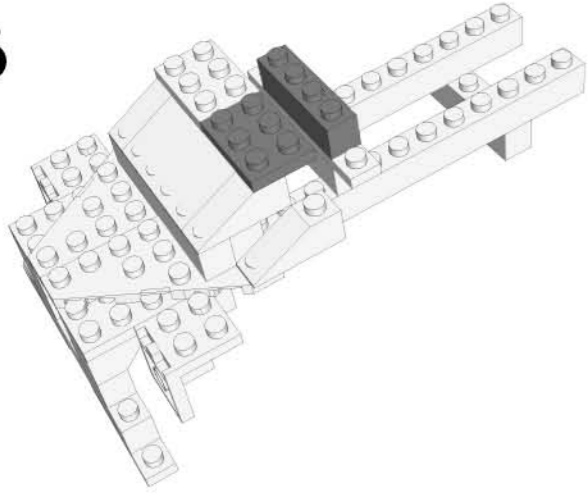
STEP 15



STEP 18



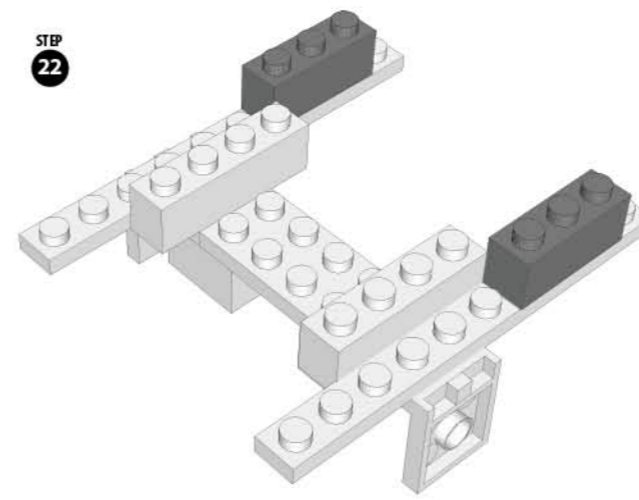
STEP 16



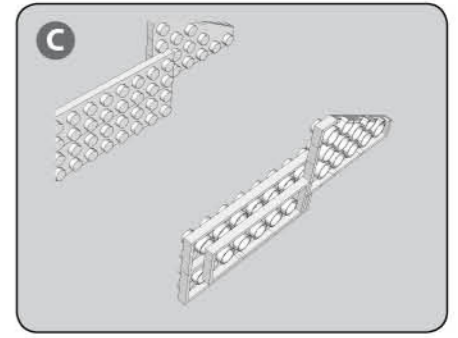
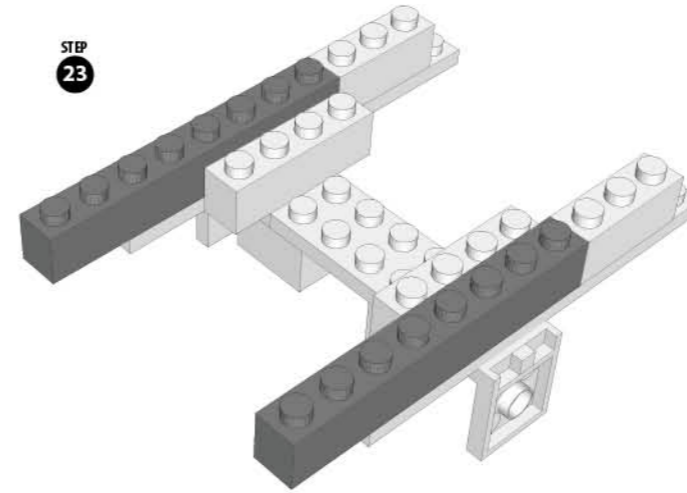
STEP 19



STEP 22



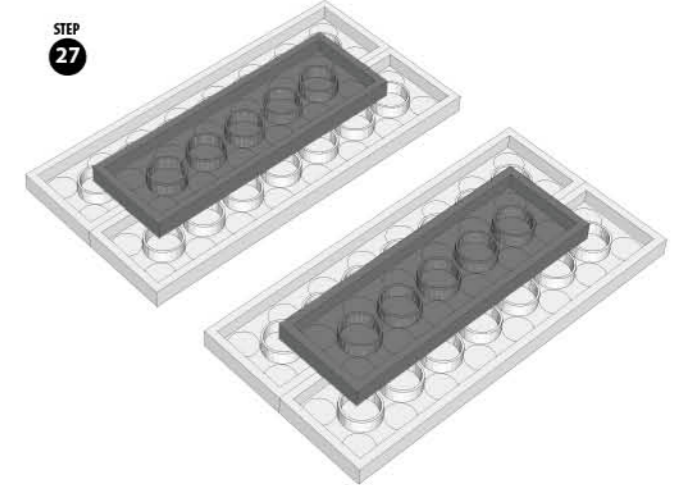
STEP 23



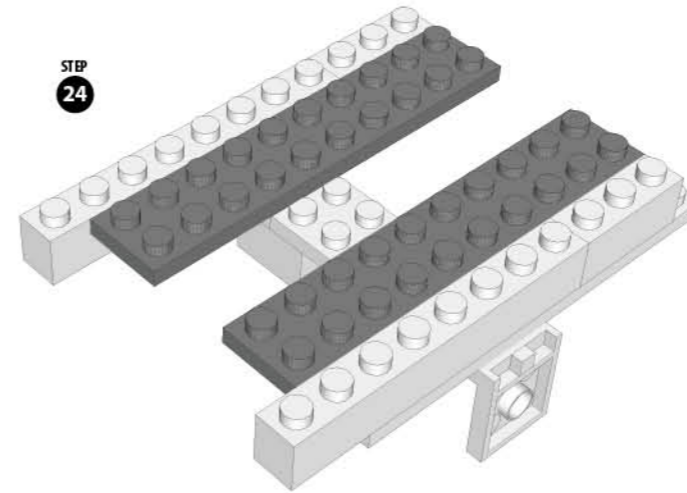
STEP 26



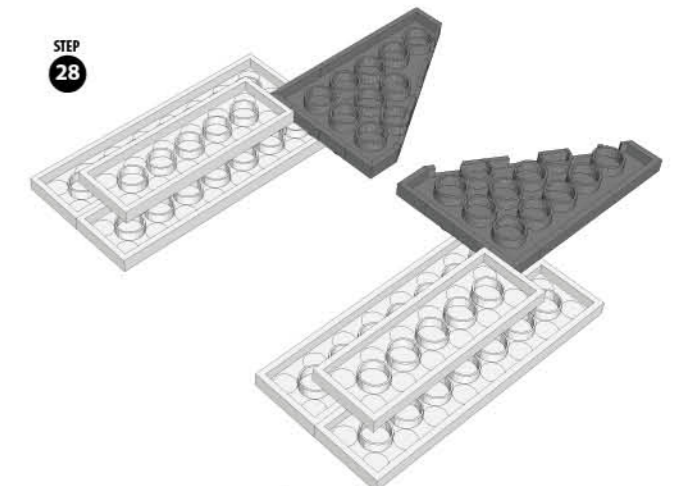
STEP 27



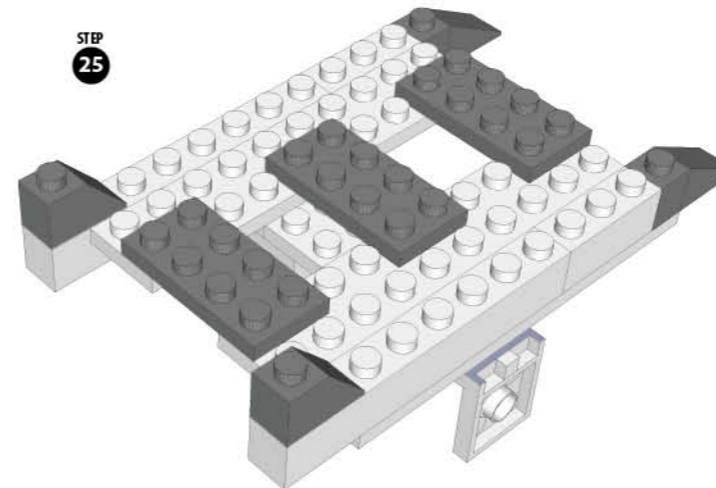
STEP 24



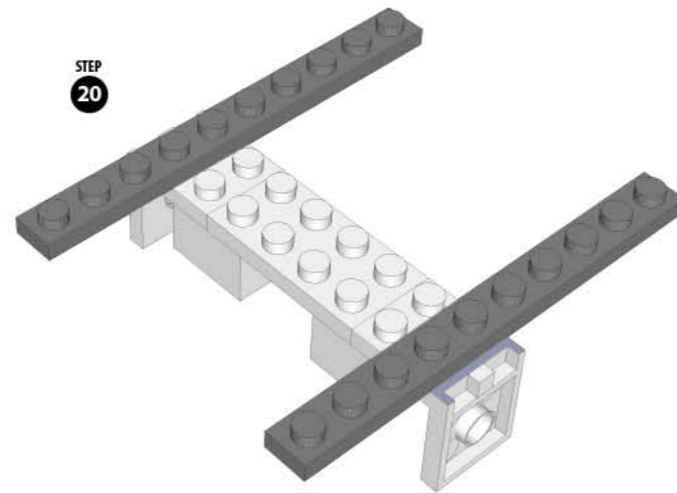
STEP 28



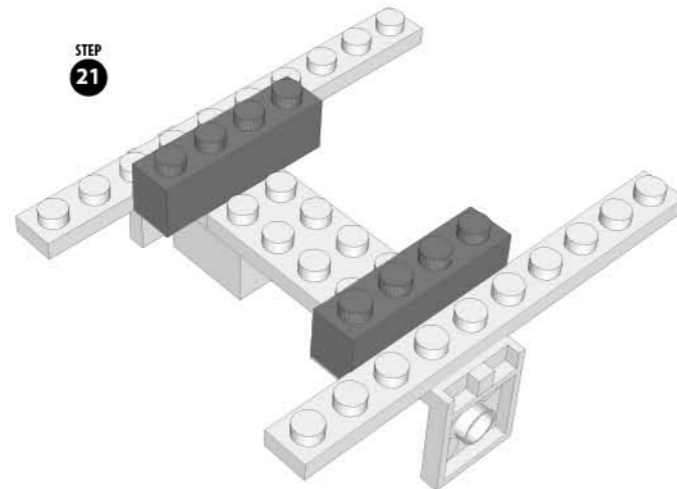
STEP 25



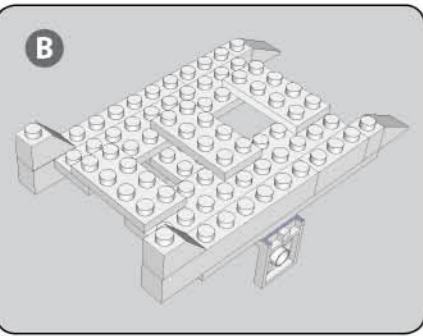
STEP 20



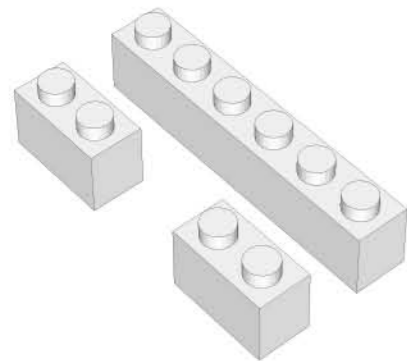
STEP 21

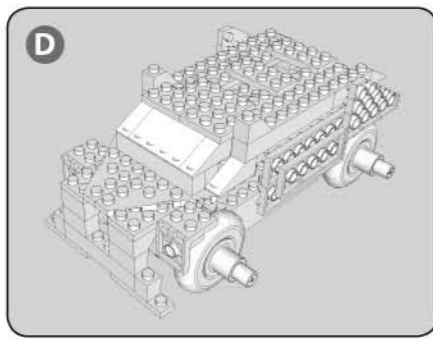


B

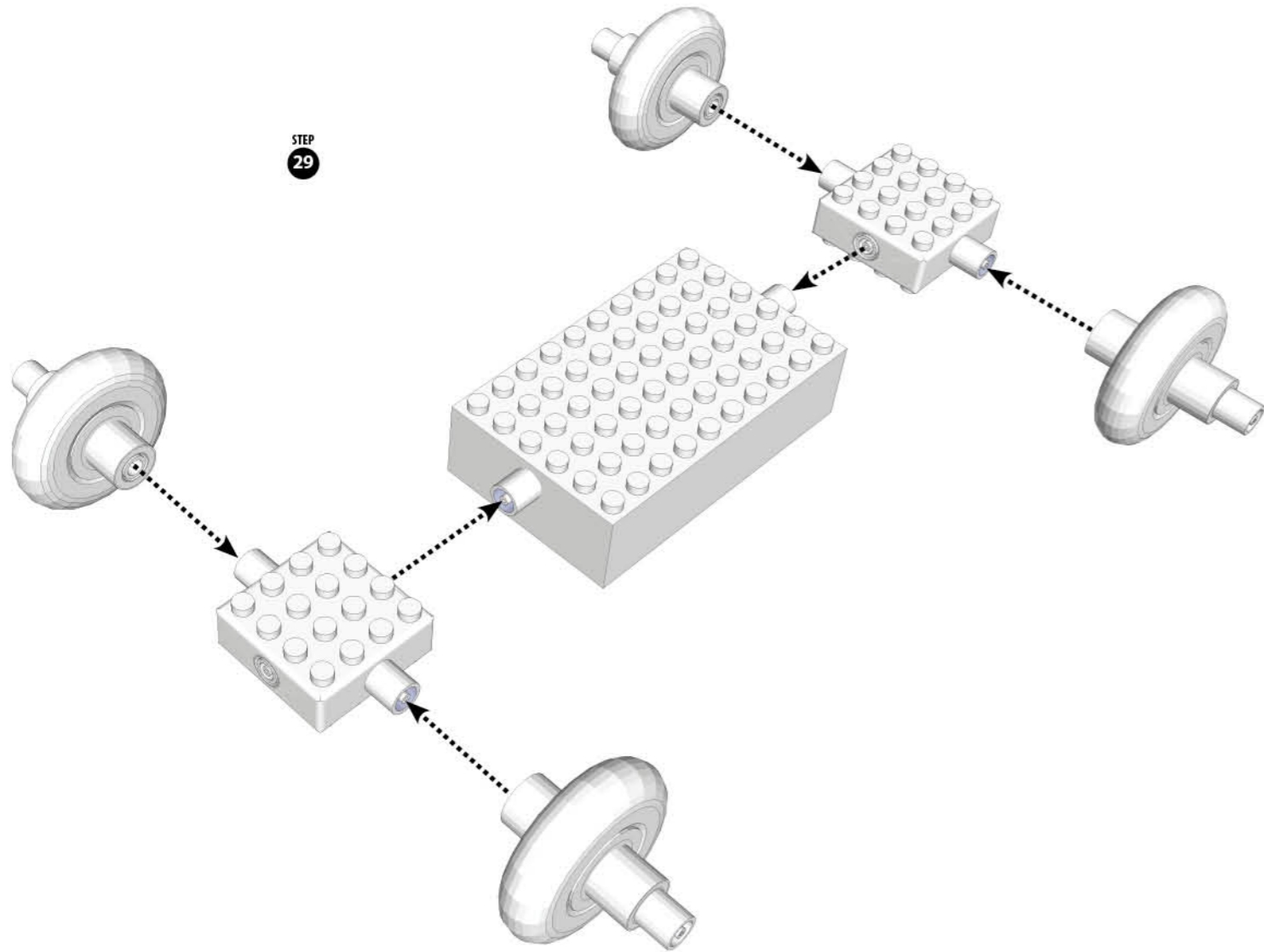


STEP 17

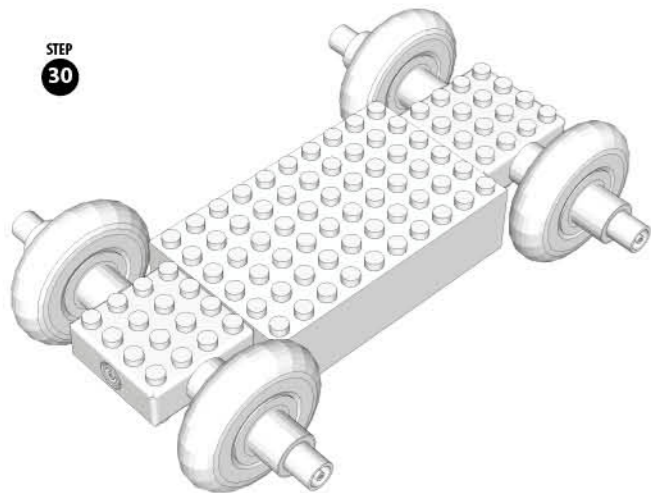




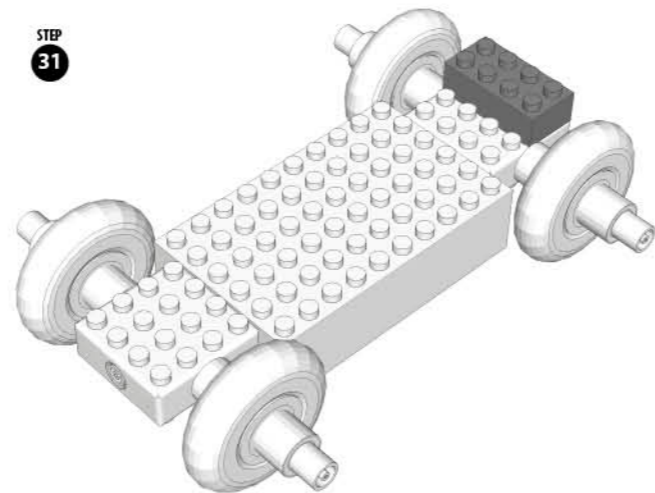
STEP 29



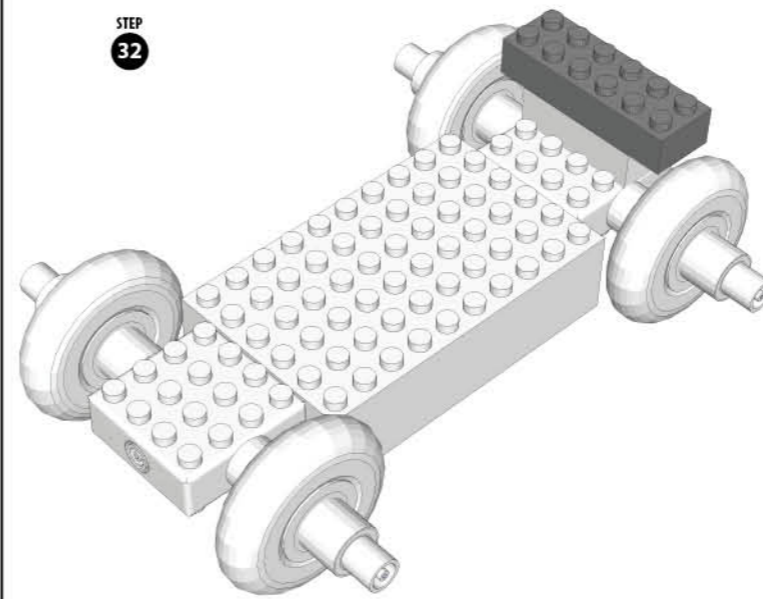
STEP 30



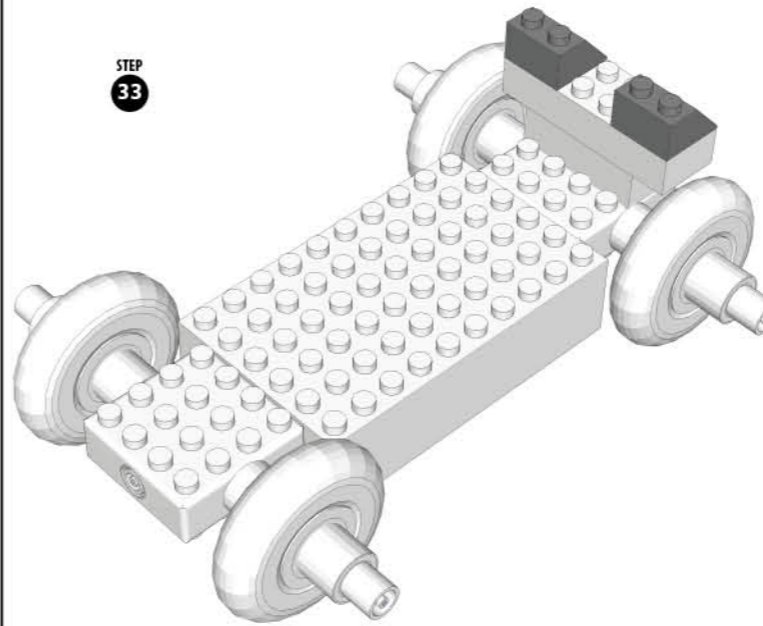
STEP 31



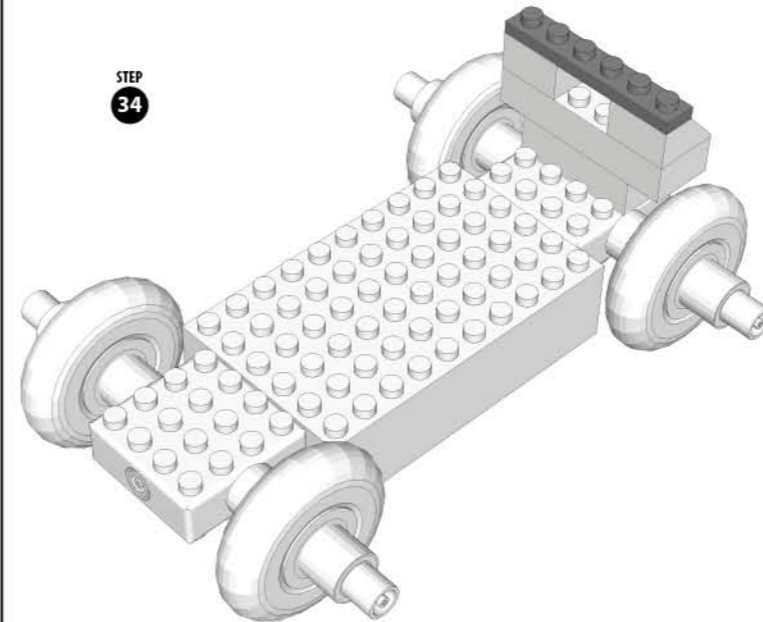
STEP 32



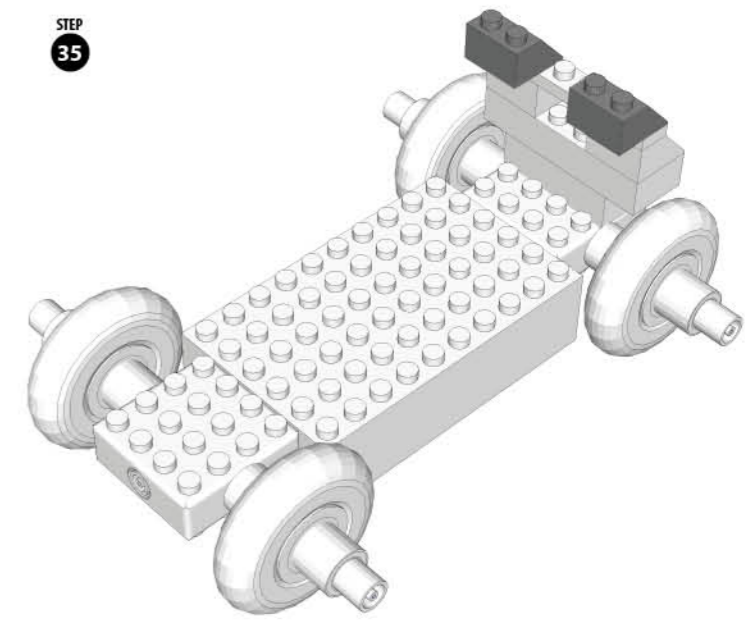
STEP 33



STEP 34

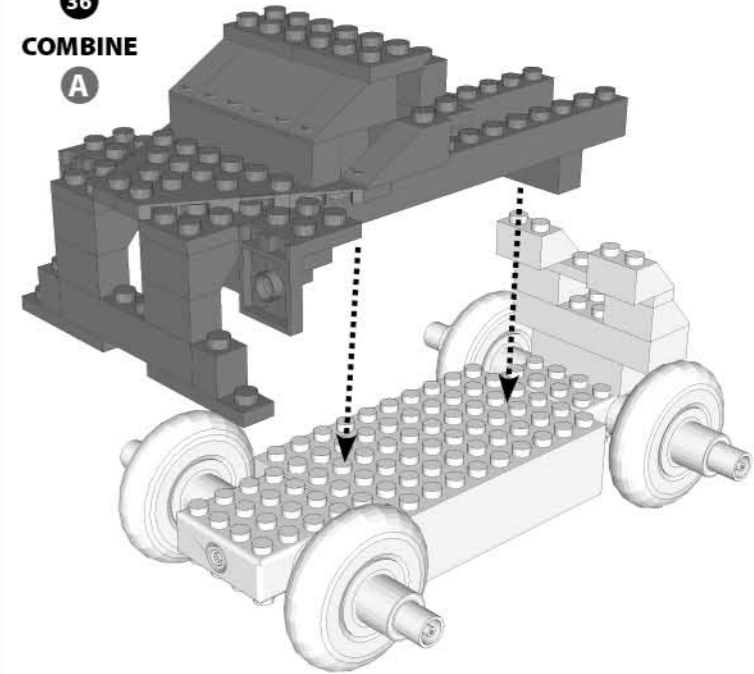


STEP 35

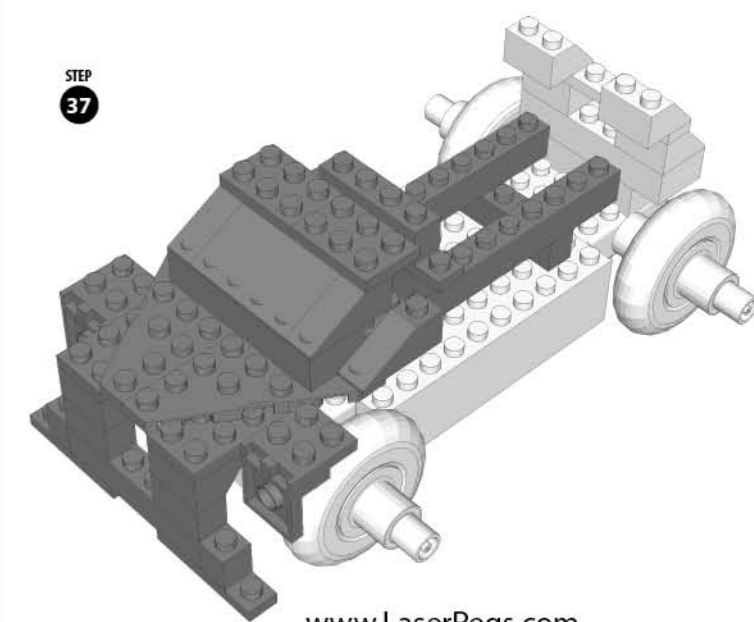


STEP 36

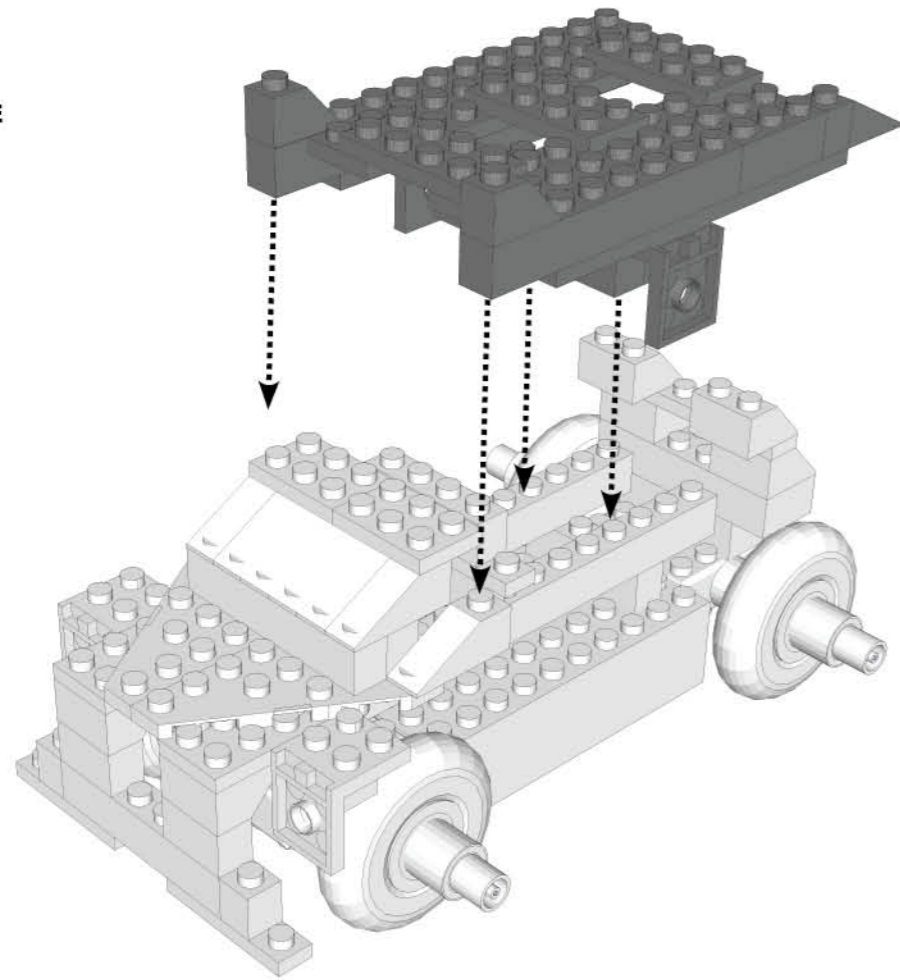
COMBINE
A



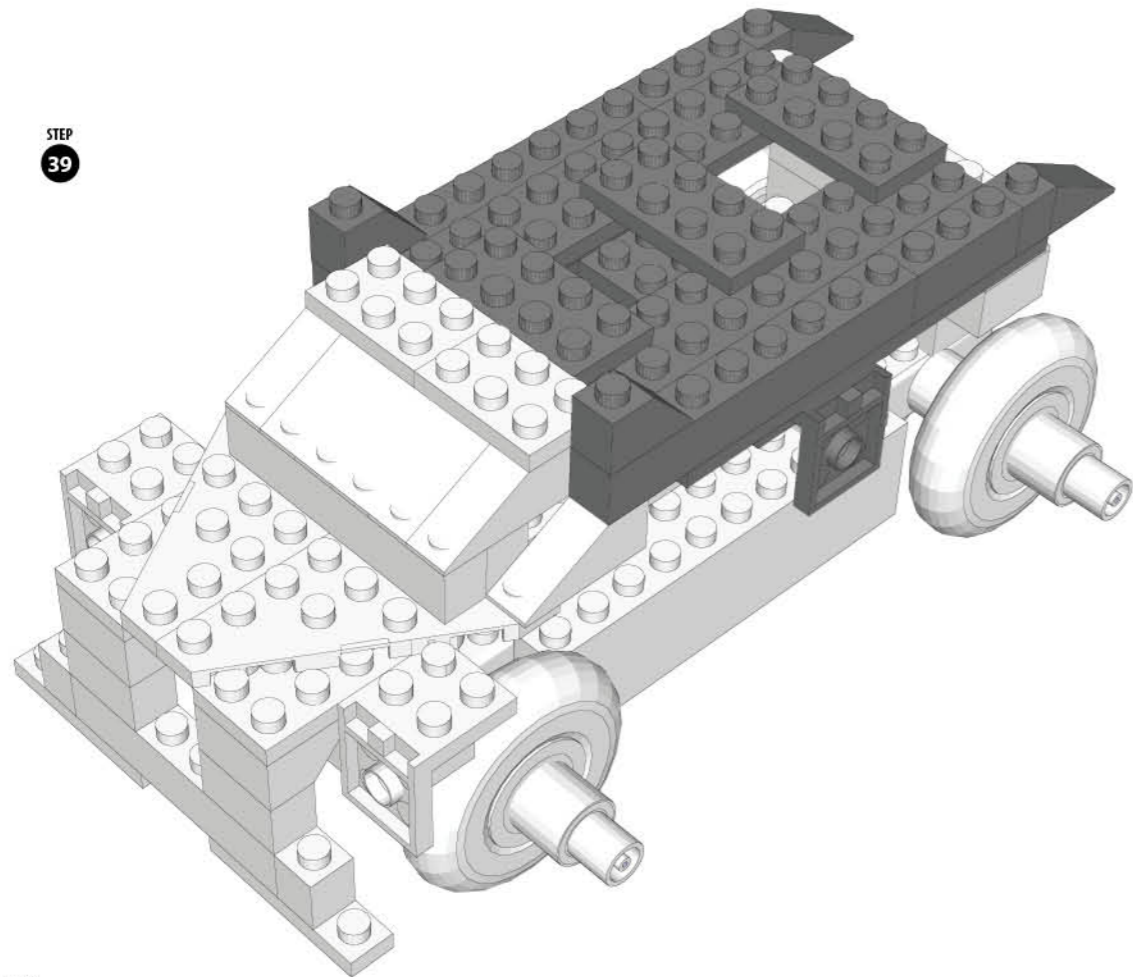
STEP 37



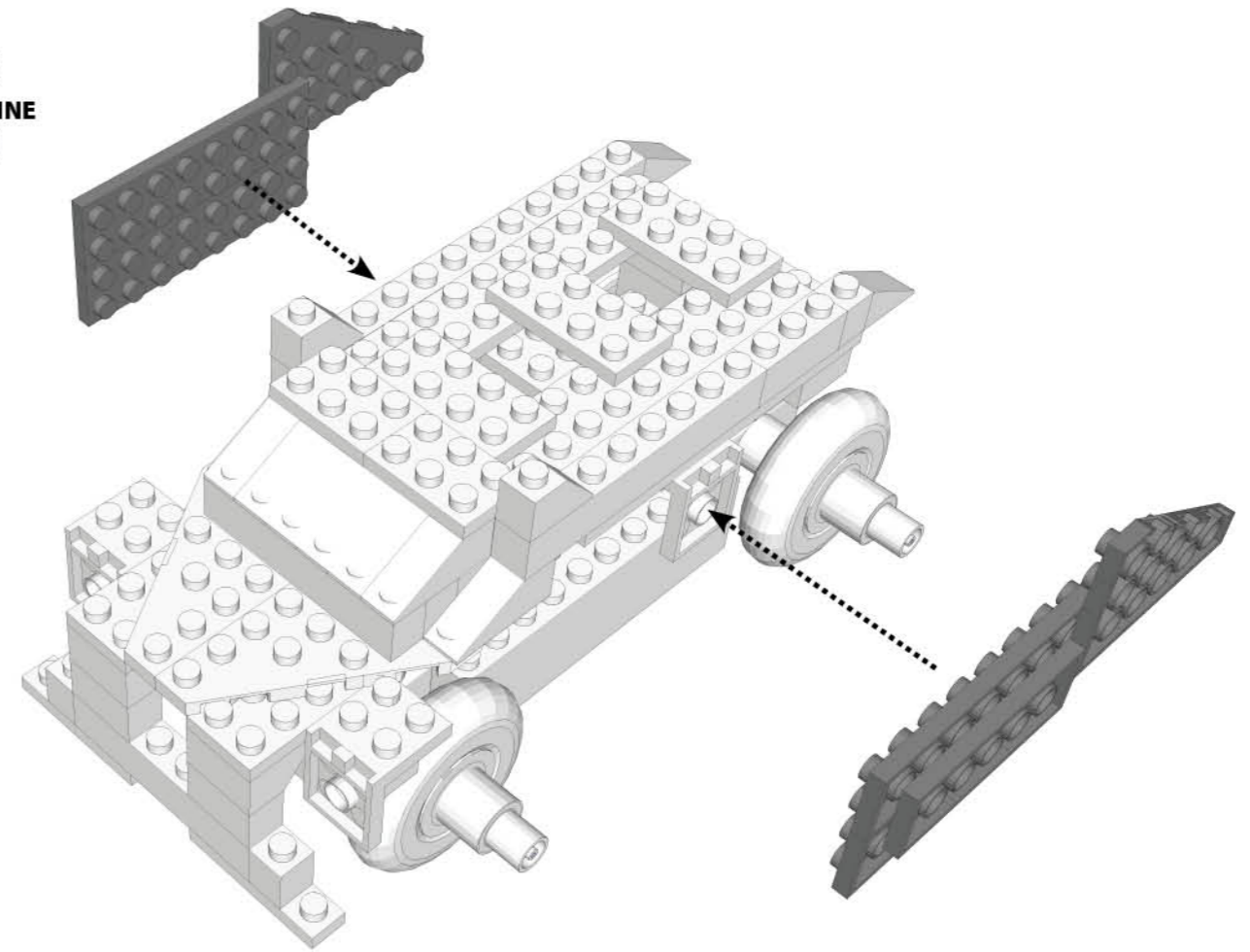
STEP
38
COMBINE
B



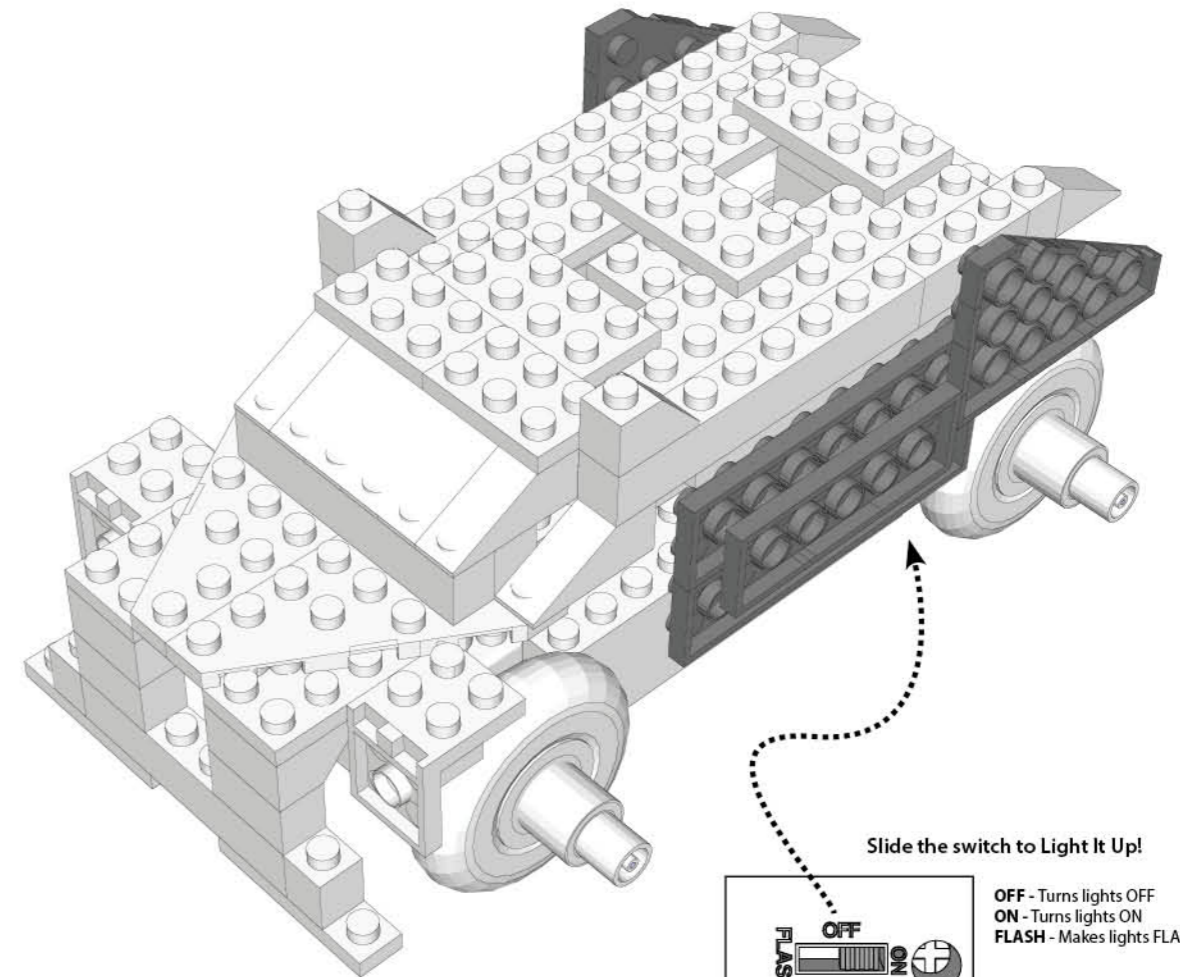
STEP
39



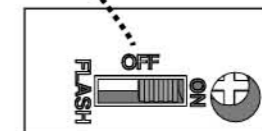
STEP
40
COMBINE
C



STEP
41



Slide the switch to Light It Up!



OFF - Turns lights OFF
ON - Turns lights ON
FLASH - Makes lights FLASH

Environmental Phenomena

* The unit may malfunction if subjected to radio-frequency interference. It SHOULD revert to normal operation when the interference stops. If not, it may become necessary to turn the power off and back on, or remove and reinstall the batteries.

* In the unlikely event of an electrostatic discharge, the unit may malfunction and lose memory, requiring the user to reset the device by removing and reinstalling the batteries.

Laser Pegs® CARES
Questions? Comments?
For additional compliance info:
1-866-432-3735
Contact: Support@LaserPegs.com

MADE IN CHINA

www.LaserPegs.com
 Copyright 2014 © All Rights Reserved Global & Multiple Patents Pending.
 US Patent #7,731,558

LASER PEGS®

The Ultimate Construction Toy For Kids®

PBI430B

POWER BLOCK
TRUCK Series

Ages 5+

8 Models+
Any creation you can build

LIGHTED
MOBILE POWER BLOCK™ SET
INCLUDES:

- 100 Tinted Bricks
- 4 Tire Pegs
- 2 Square M-M Pegs
- 1 Mobile Power Block™

Requires 3 AAA Batteries

Batteries NOT
Included

EN71, RoHS COMPLIANT

This product complies to
all safety requirements
of ASTM F 963

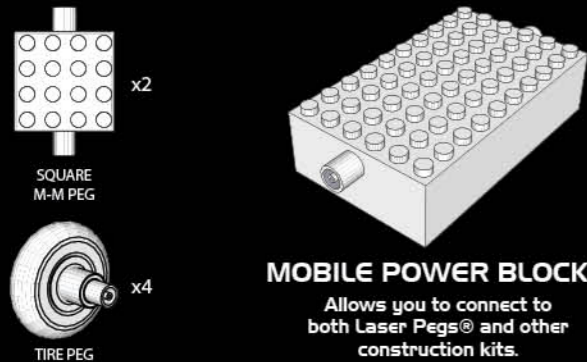
DO NOT SUBMERGE IN WATER

WARNING: CHOKING HAZARD-Small parts.
Not for children under 3 yrs.
Do not submerge in water.

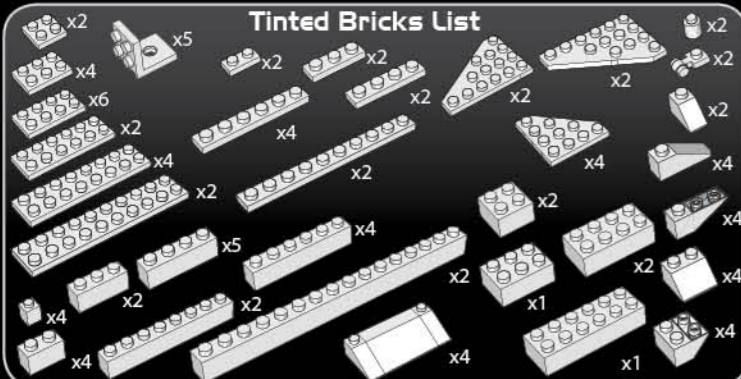
MODEL INSTRUCTIONS

All additional model instructions can
be downloaded at www.LaserPegs.com

Laser Pegs® Parts List



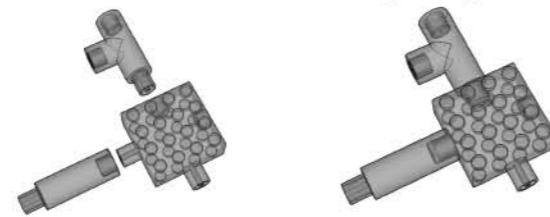
Color Code Each Laser Peg® is color coded on the circuit board inside each shape.



www.LaserPegs.com

This manual is copyright and cannot be reproduced or used online without Laser Pegs® Ventures LLC permission. Copyright 2014 © All Rights Reserved US Patent #7,731,558 Additional Global & Multiple Patents Pending. Laser Pegs® Ventures LLC, 8304 Consumer Ct., Sarasota FL 34240. Contact: Support@LaserPegs.com

Connecting Pegs



To construct with Laser Pegs®, slide two pieces together to form a connection. Slide each piece on and off smoothly.

POWER BLOCK

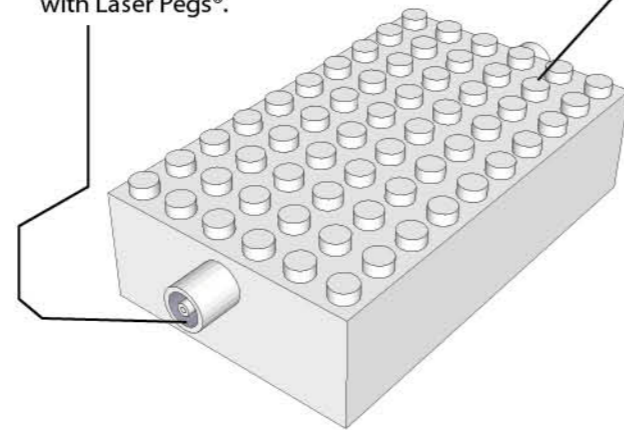
The Power Block is a Power Base that allows you to build with Laser Pegs® and construction parts to build models that light up. It is battery operated. (BATTERIES NOT INCLUDED.)

Laser Pegs® Connections

Allows you to construct with Laser Pegs®.

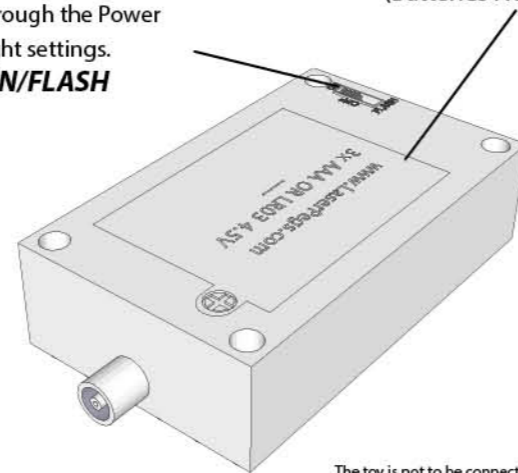
Construction Part Connections

Allows you to connect to other construction kits.



Power Switch

Move the Power Switch to cycle through the Power Block light settings.
OFF/ON/FLASH

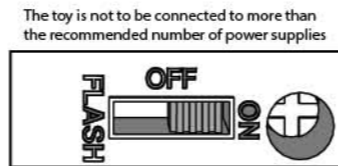


Battery Compartment

Requires 3-AAA Batteries (Batteries Not Included)

LIGHT SETTINGS

OFF - Turns lights OFF
ON - Turns lights ON
FLASH - Makes lights FLASH



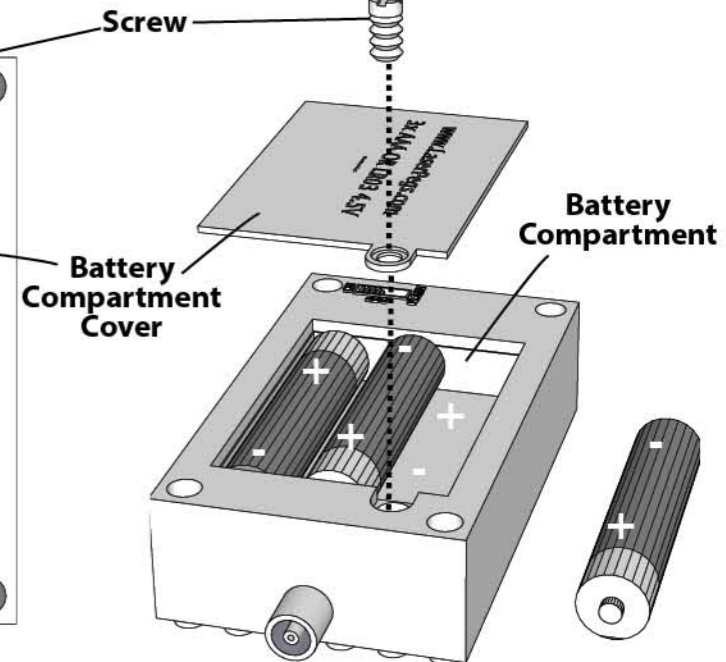
WARNING: STROBE LIGHTS MAY CAUSE SEIZURES

WARNING! Each Laser Peg® draws current from the batteries. Therefore, the more pegs you use, the quicker you will deplete your battery power! As the power weakens, the current will slowly fail and some Laser Pegs® will illuminate (typically the reds and yellows) and some won't. When the Laser Pegs® dim, the Laser Pegs® are not broken, they just need stronger batteries. You have 2 simple options...
1. Change the batteries.
2. Use high quality batteries. They will last a little longer, but they will still deplete rapidly the more Laser Pegs® you connect!

Replacing Batteries

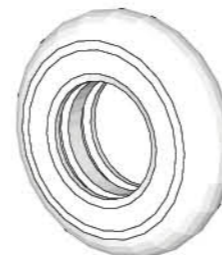
1. Remove Screw.
2. Lift off Battery Compartment Cover.
3. Place three (3) AAA batteries in the correct position - as displayed inside of the Power Block.
4. Replace Battery Compartment Cover and Screw.
5. Slide Power Switch setting to OFF/ON/FLASH.
6. Do not mix old and new batteries.
7. Do not mix alkaline, standard (carbon-zinc), or rechargeable (nickel-cadmium, NiMH) batteries!
8. Exhausted batteries are to be removed from the power base.
9. Never connect more than 30 Laser Pegs® at one time!
10. Non-rechargeable batteries are not to be recharged.
11. Rechargeable batteries are only to be recharged under adult supervision.
12. Rechargeable batteries are to be removed from the toy before being recharged.
13. Batteries are to be inserted with the correct polarity.
14. The supply terminals are not to be short-circuited.
15. DO NOT THROW BATTERIES INTO FIRE!

Remove the Phillips head screw with a 4mm screw driver.
Requires 3-AAA Batteries
Batteries NOT Included



Requires 3-AAA Batteries

Connecting the Laser Pegs® Tire to the Axle Peg

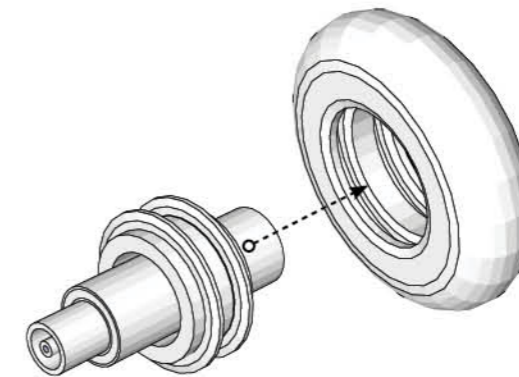


Tire Peg

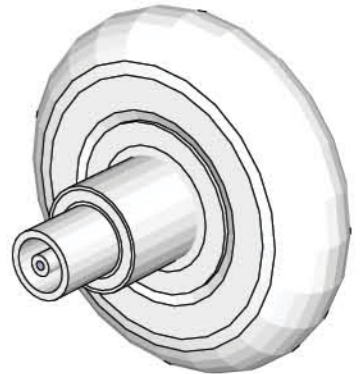


Axle Peg

Place Axle Peg through the Tire



Tire Peg

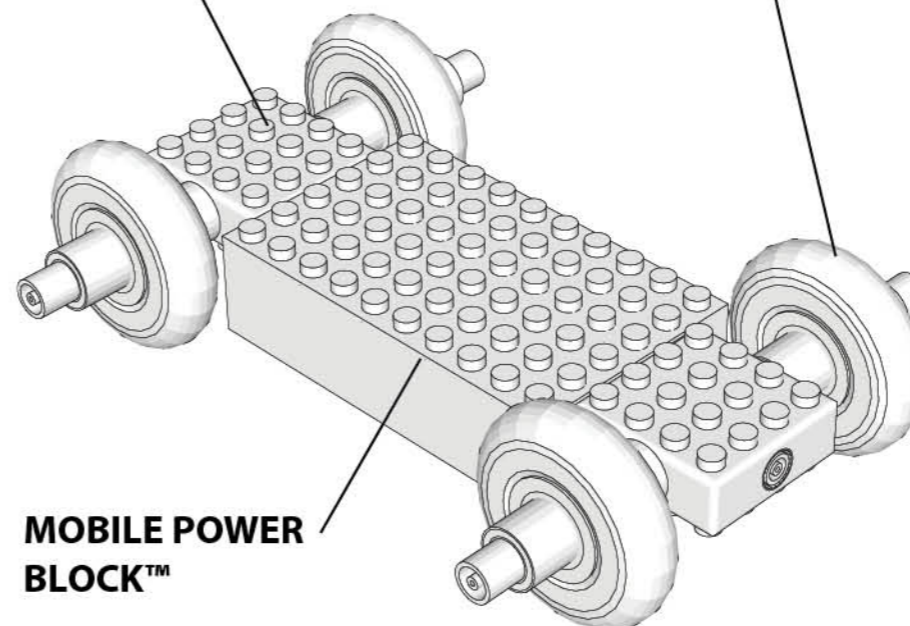


POWER BLOCK™

Use the Laser Pegs® Square M-M Peg to attach the Tire Pegs to the Power Block™.

Laser Pegs® Square M-M Peg

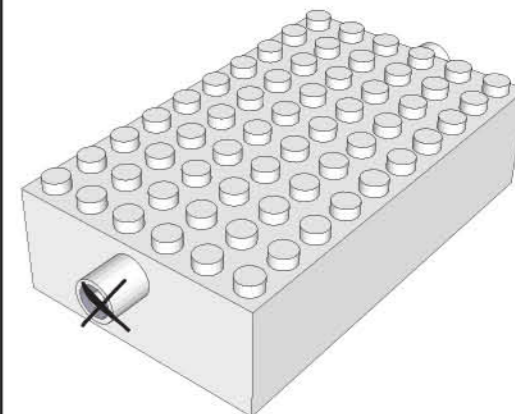
Tire Peg



MOBILE POWER BLOCK™

AVOID DAMAGE TO PEG HOLES

*To avoid short-circuits, keep metal objects and other unauthorized materials from obstructing the peg holes.



Never connect more than 30 Laser Pegs® to the Power Block at one time.

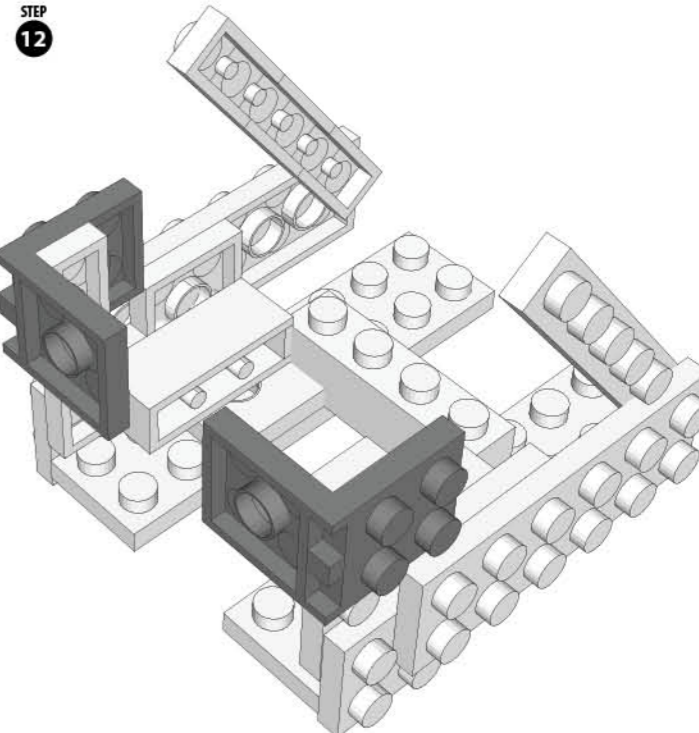
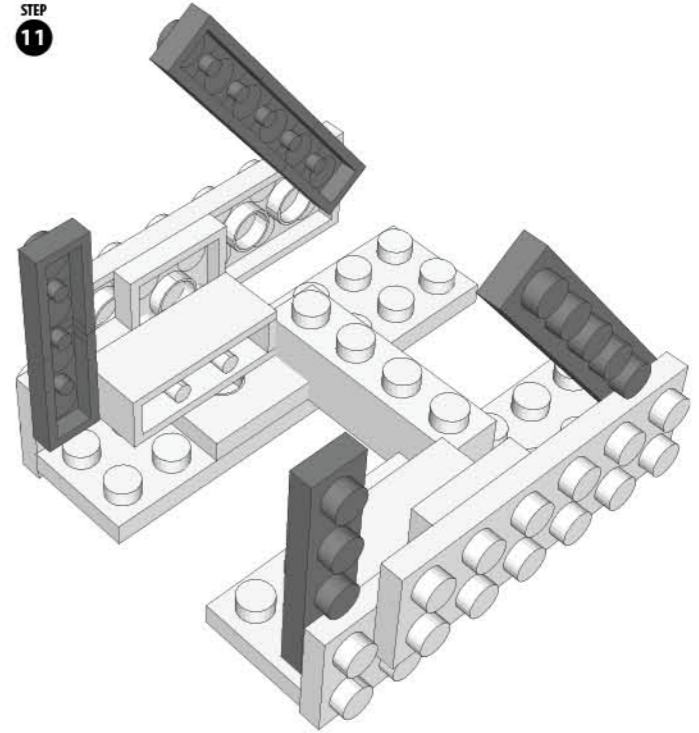
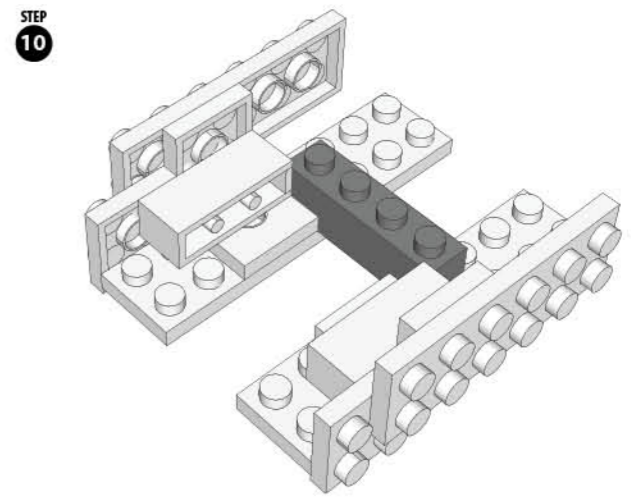
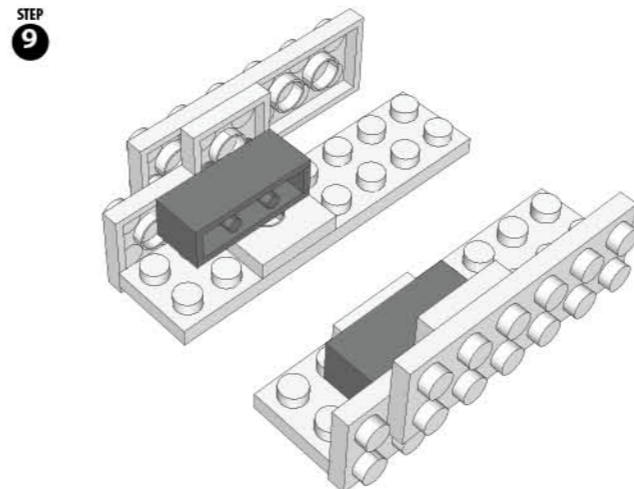
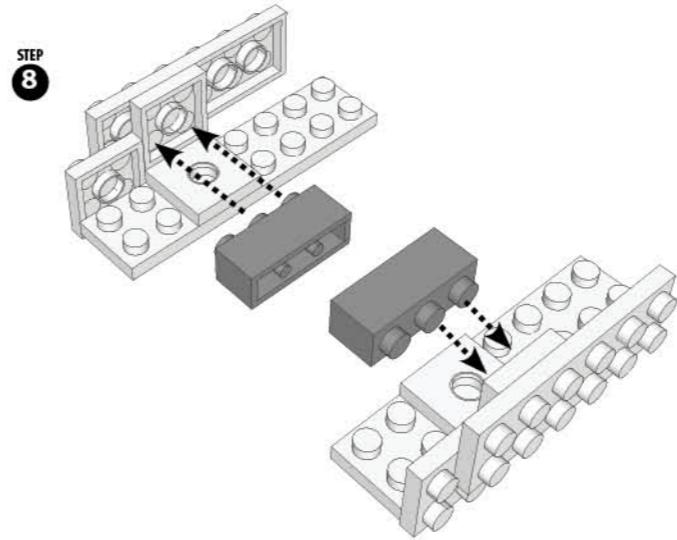
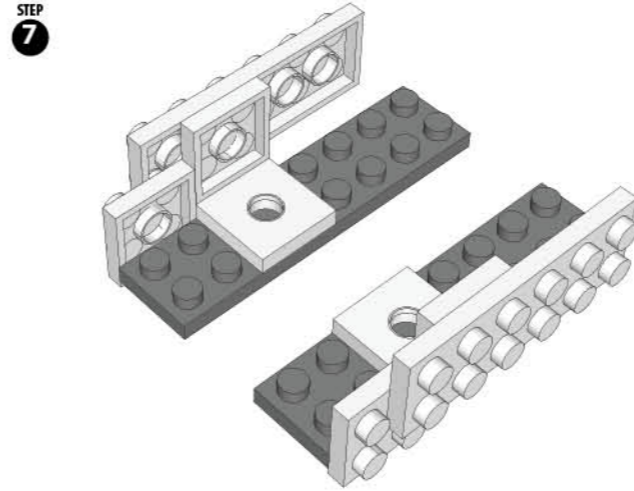
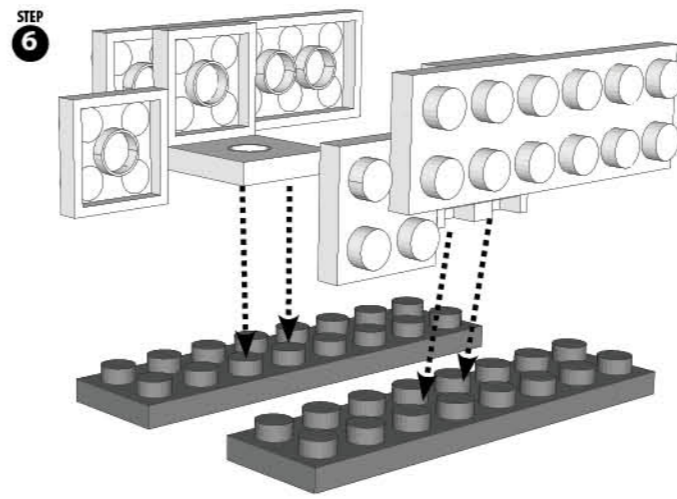
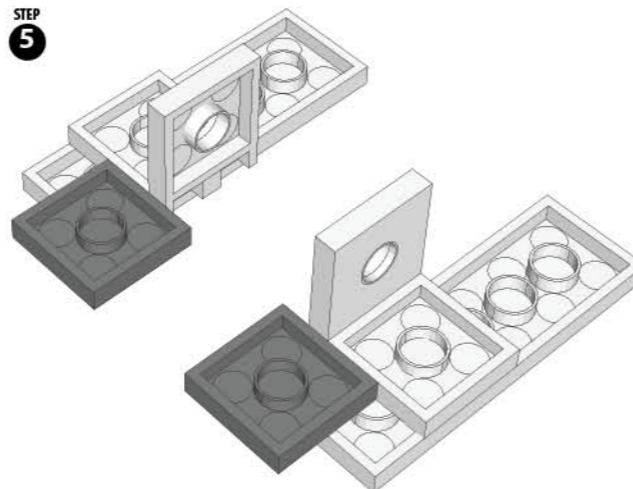
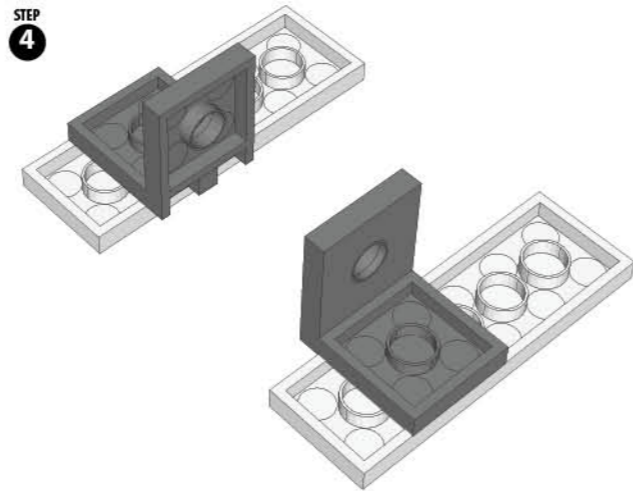
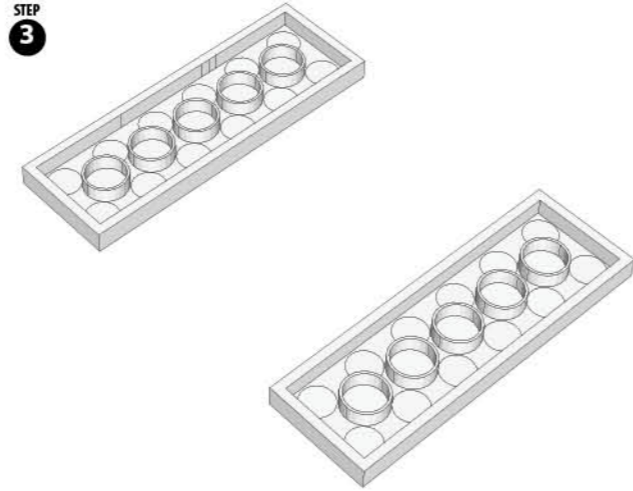
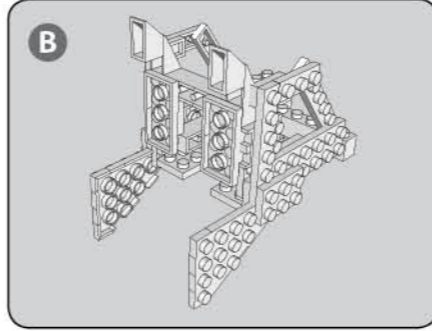
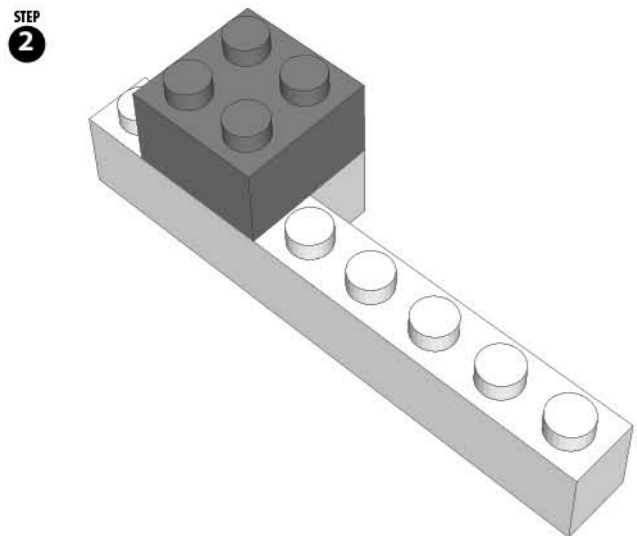
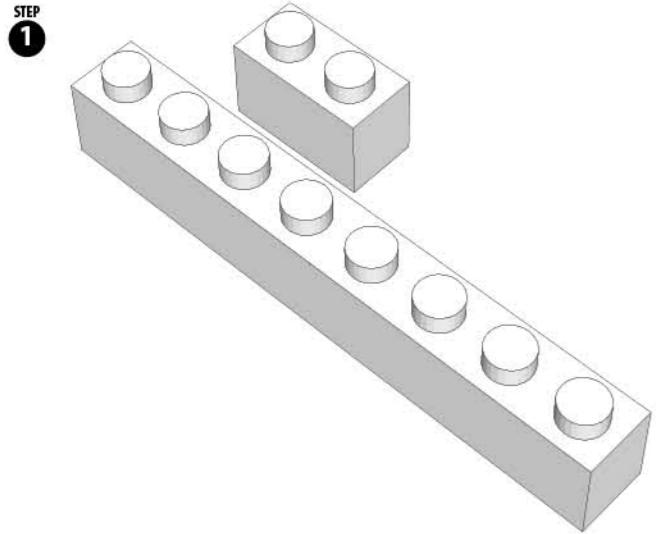
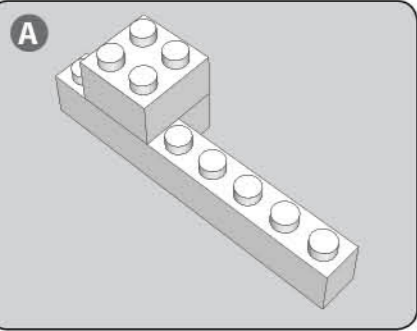
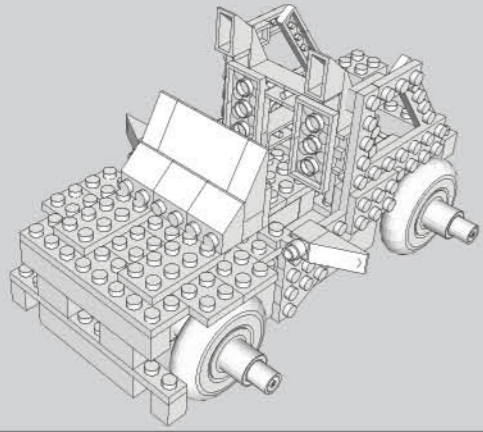
JEEP: The first Willys MB Jeeps were produced in 1941, making it the oldest off-road vehicle ever made, and the first civilian models were produced in 1945.

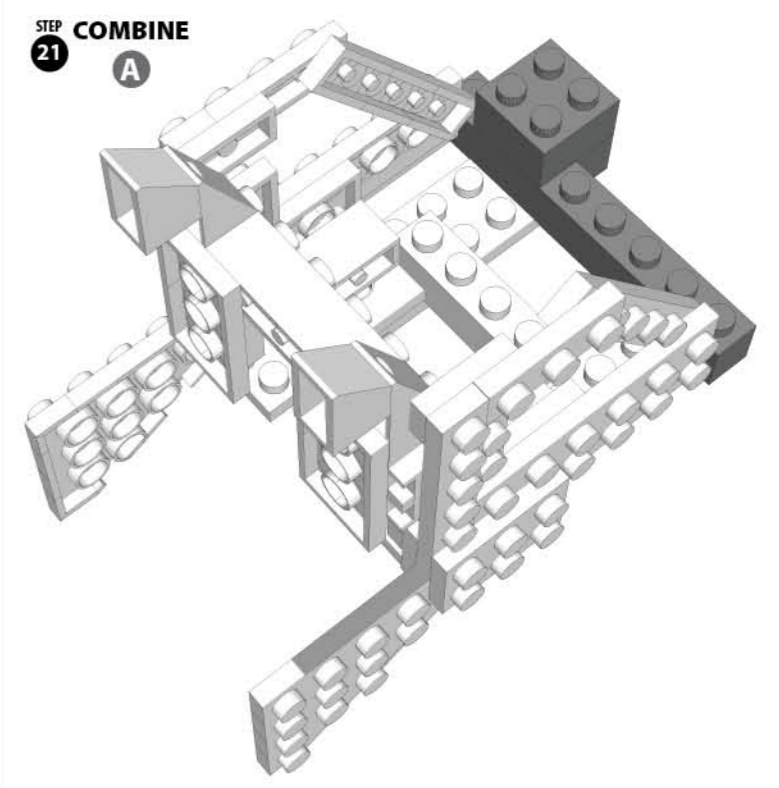
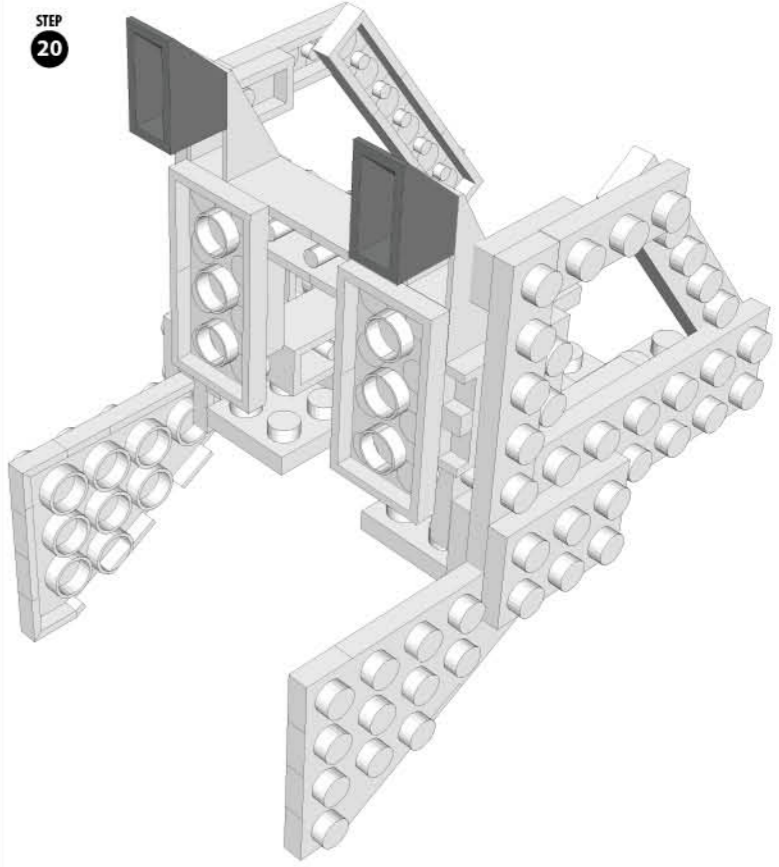
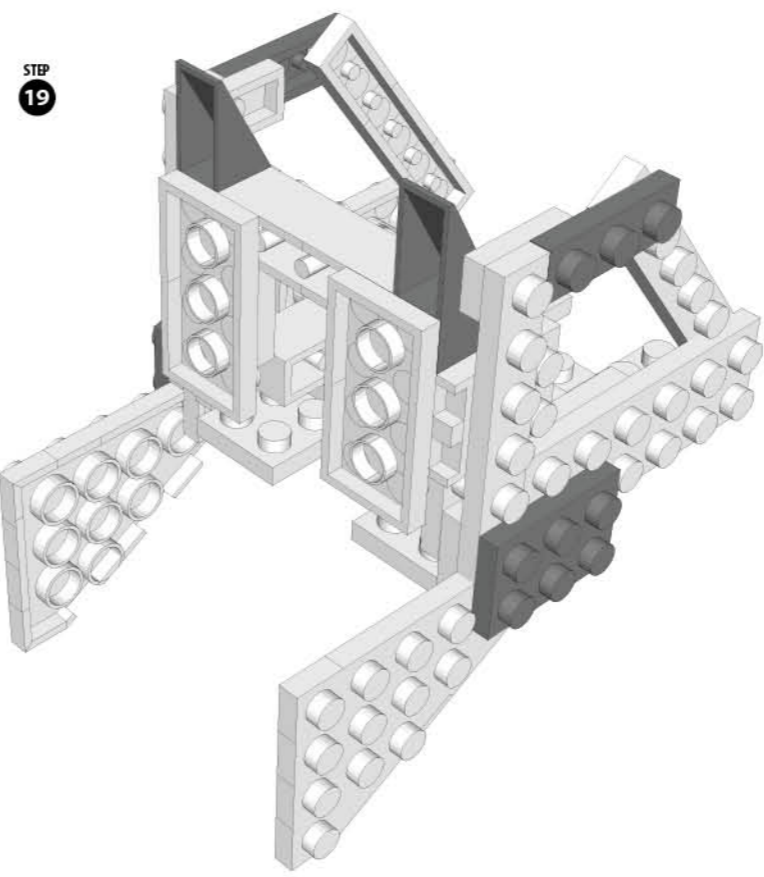
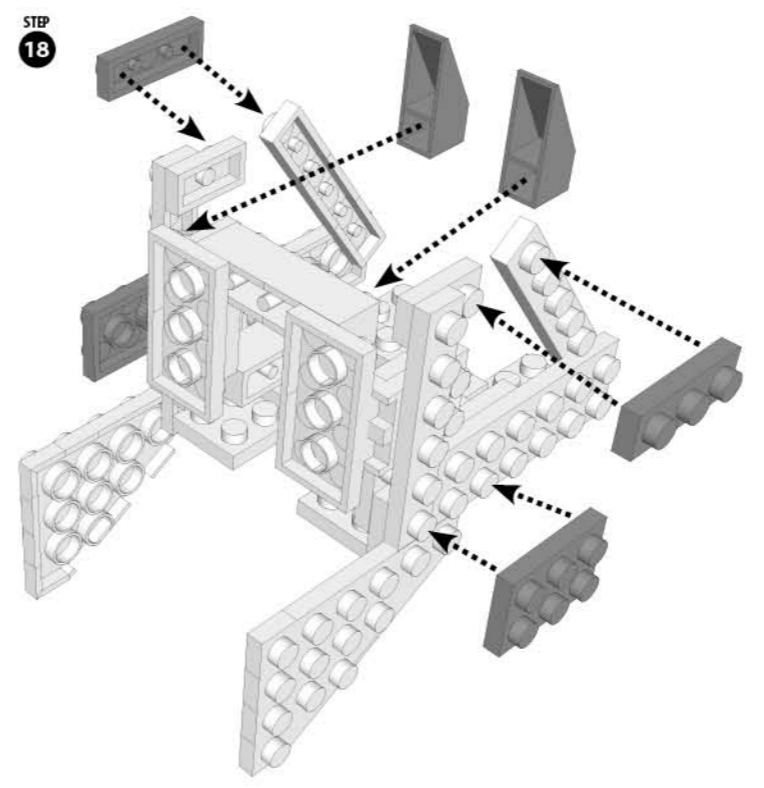
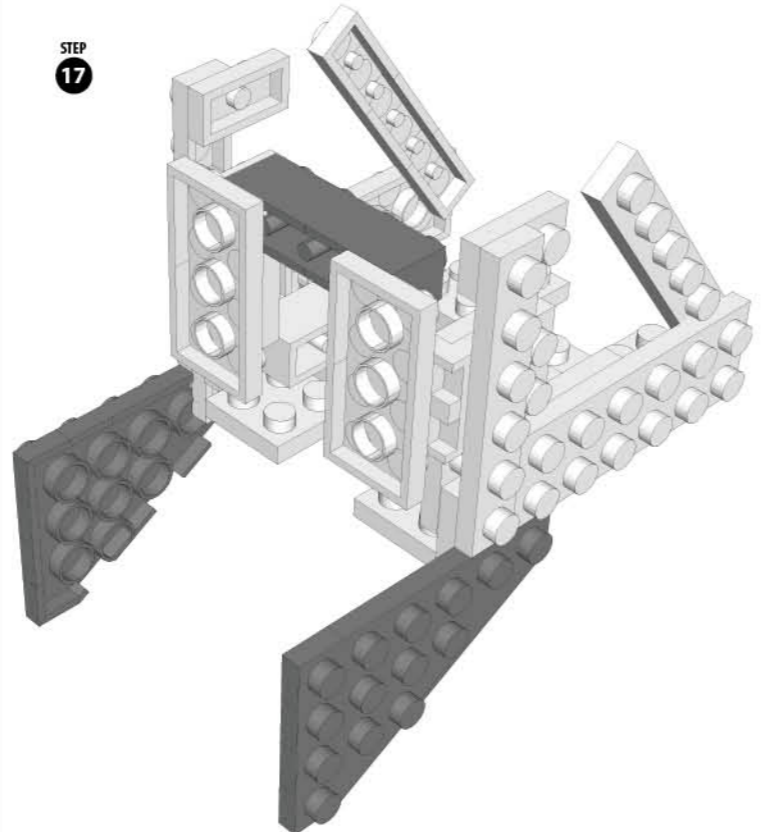
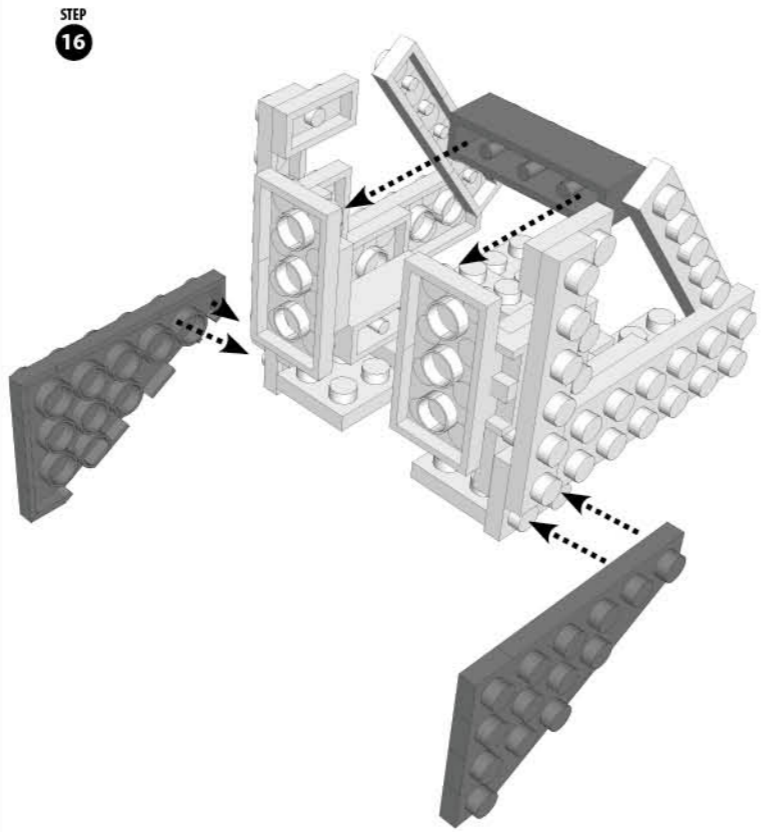
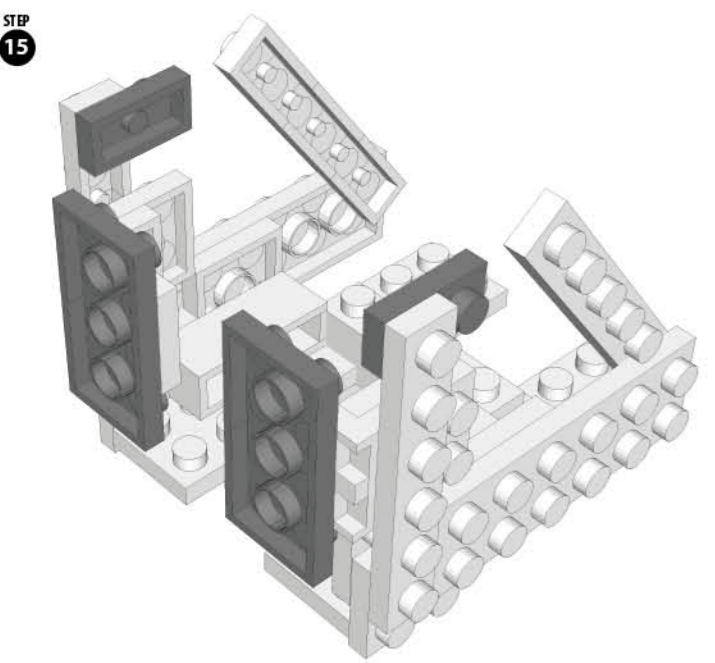
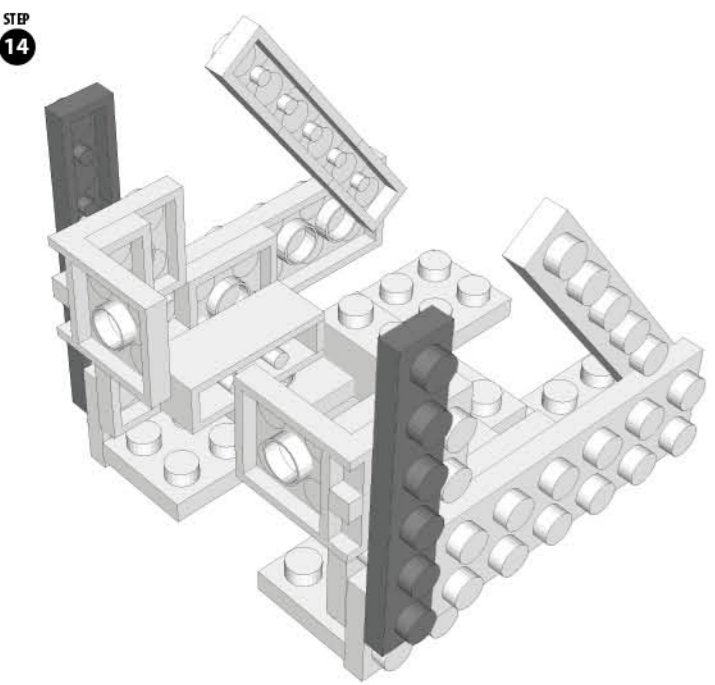
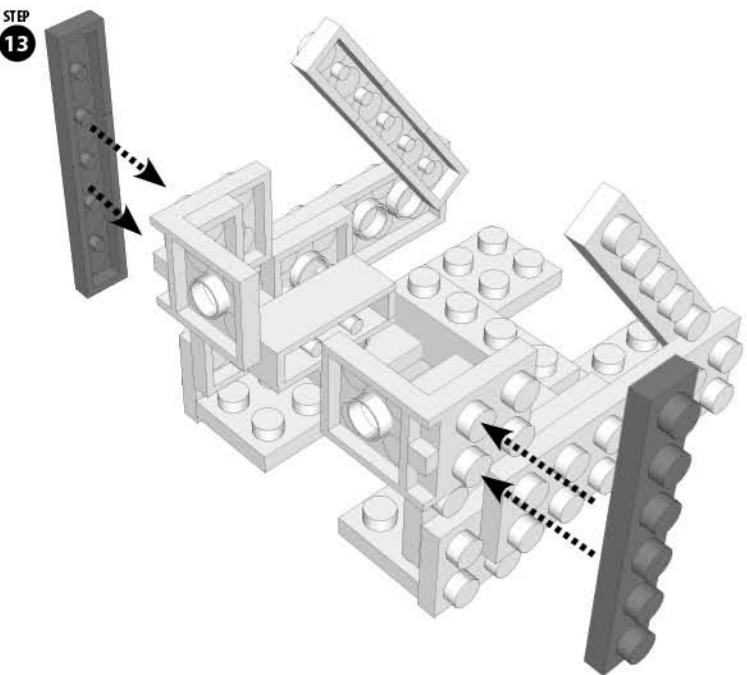


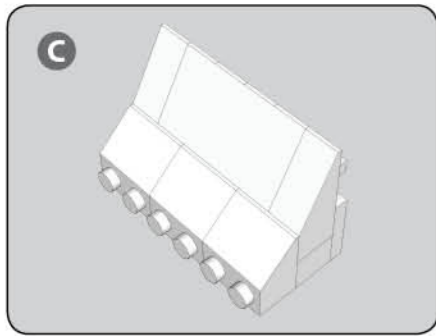
JEEP

Model
Difficulty
Level

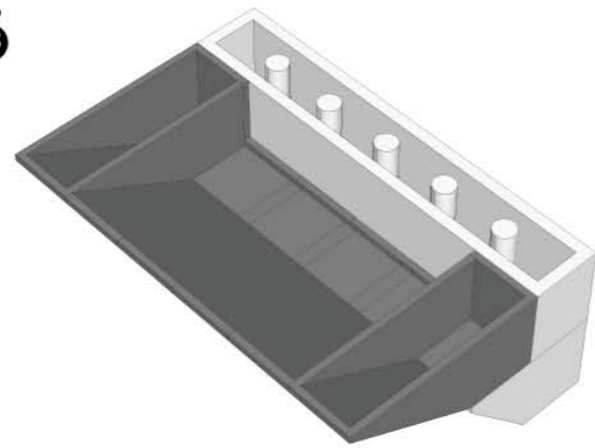
5



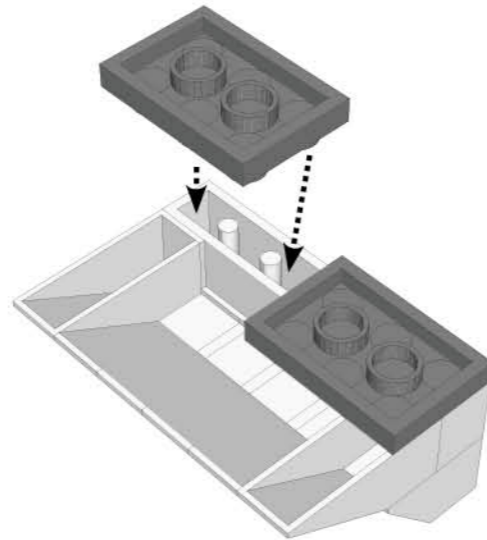




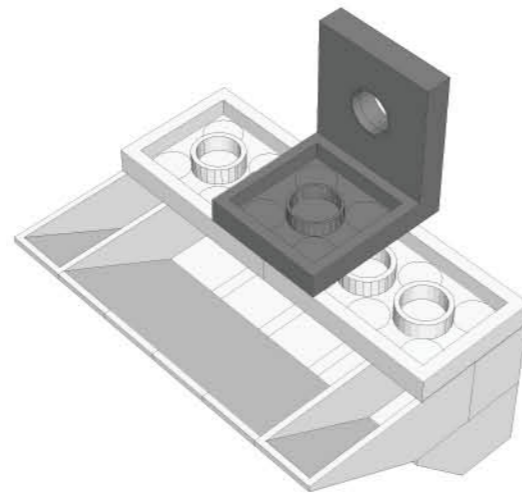
STEP 25



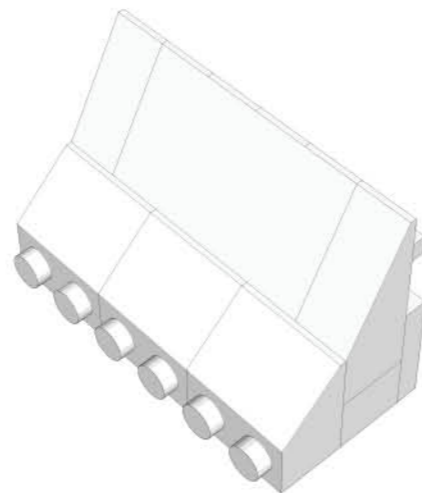
STEP 26



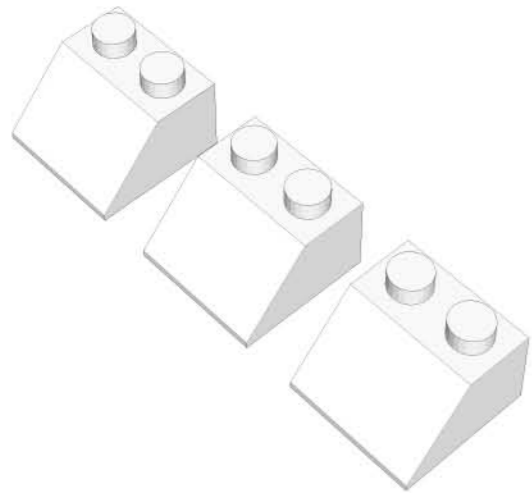
STEP 27



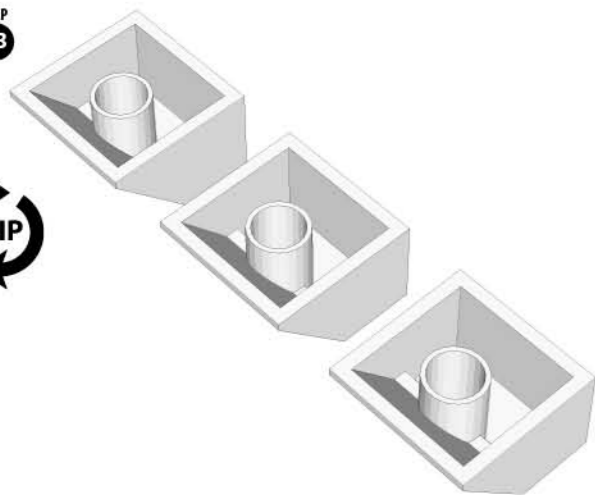
STEP 28



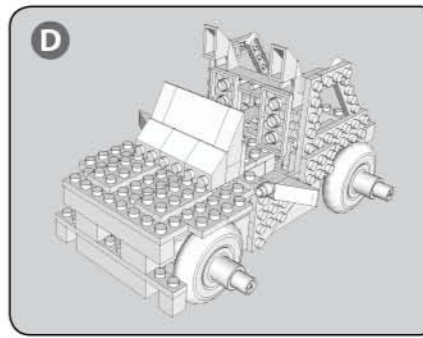
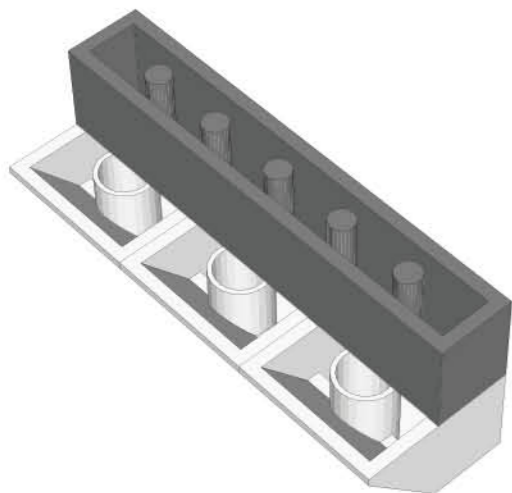
STEP 22



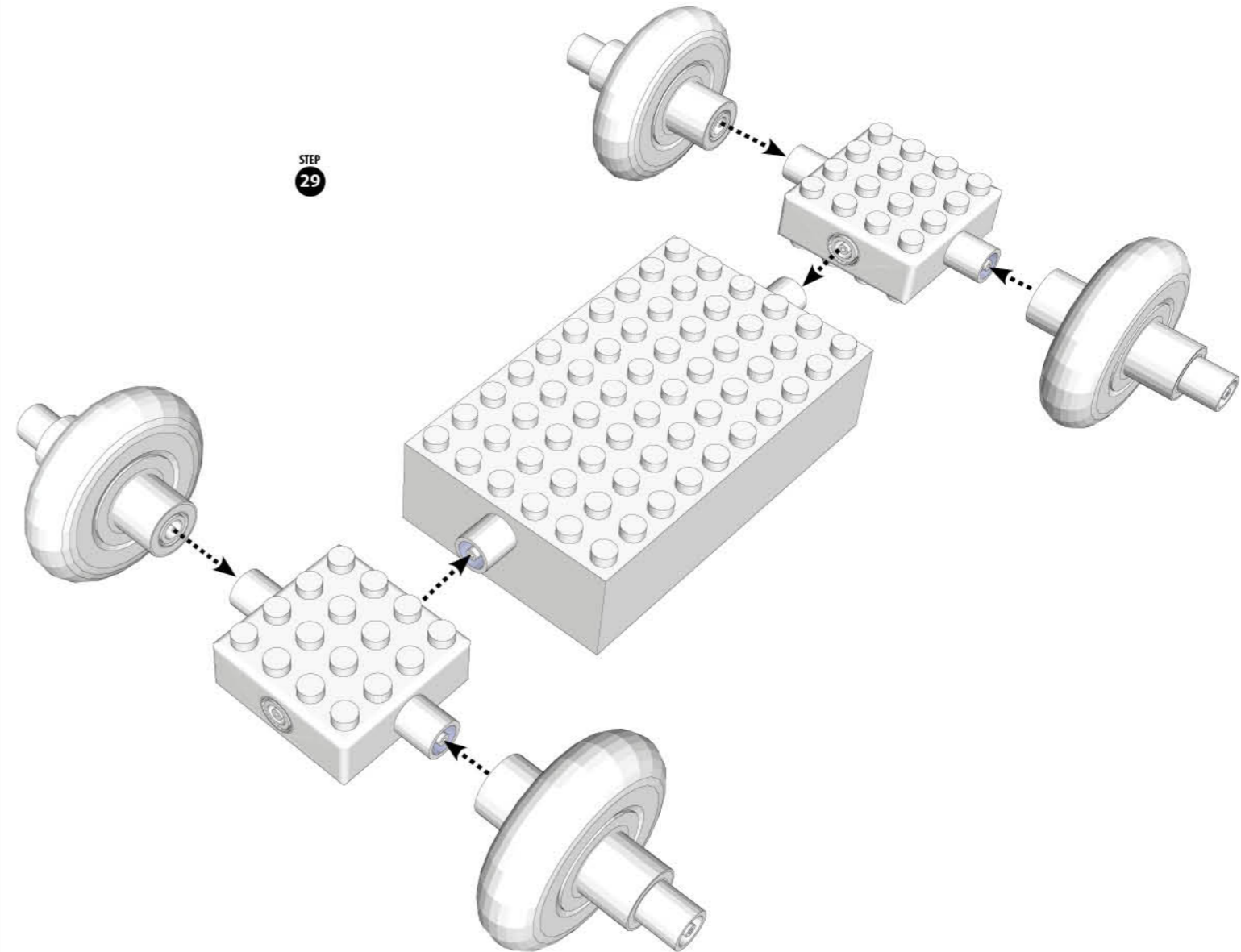
STEP 23



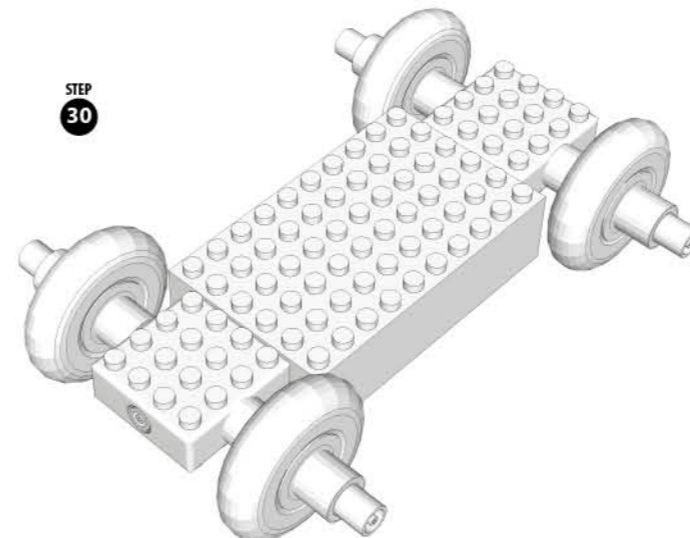
STEP 24



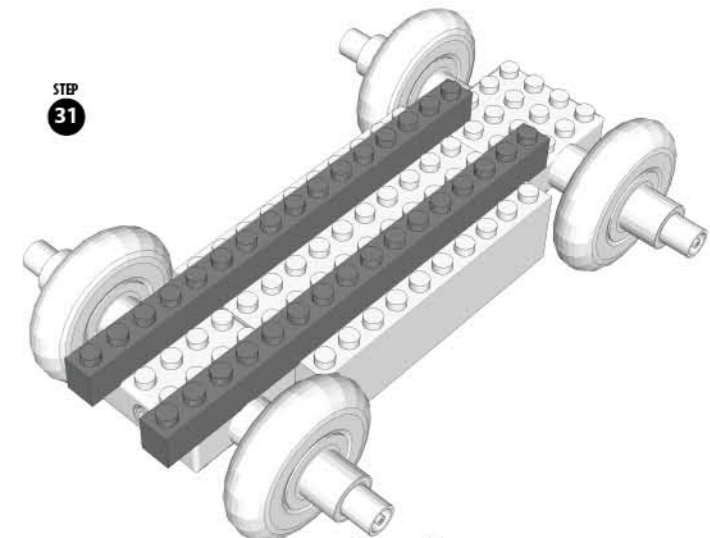
STEP 29



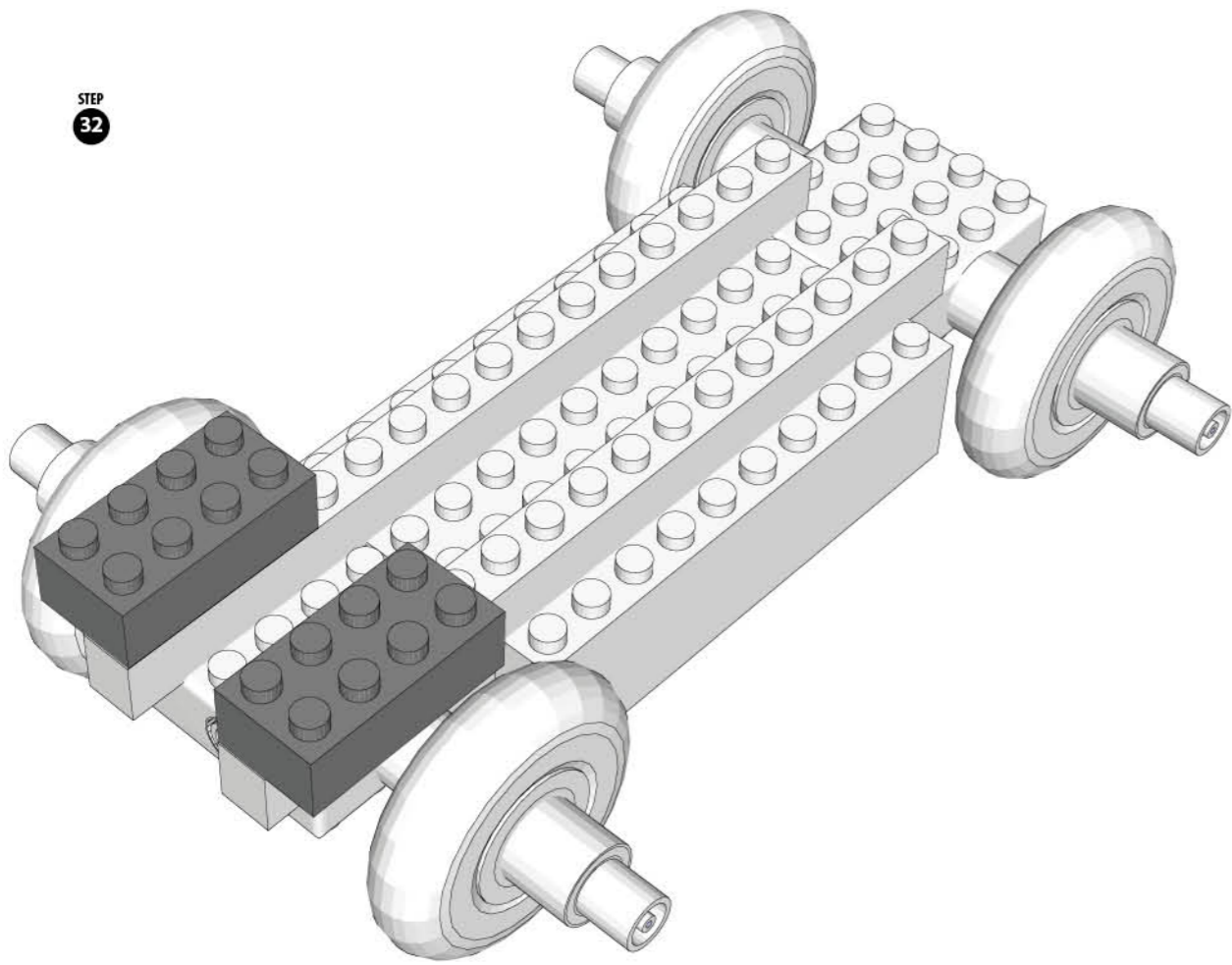
STEP 30



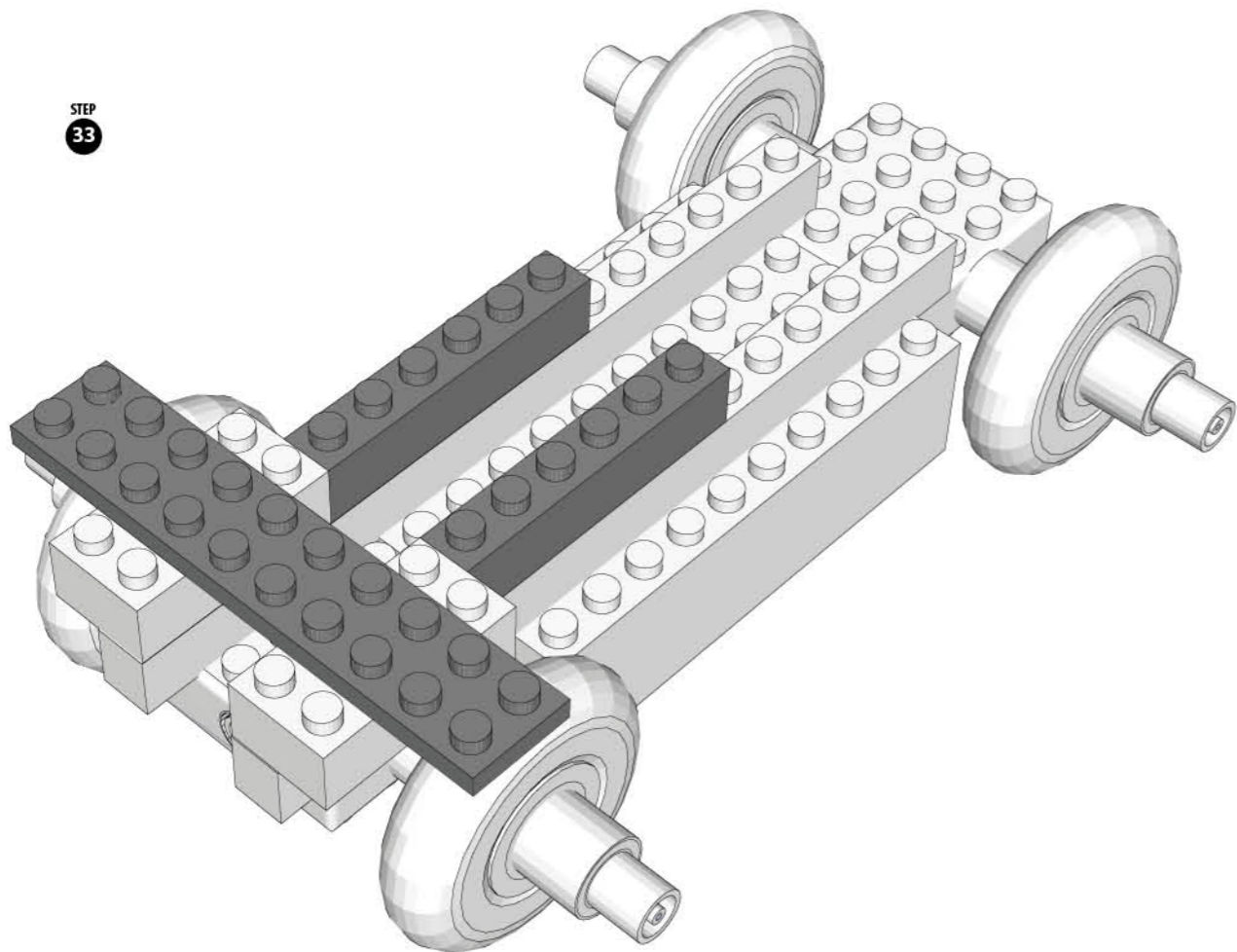
STEP 31



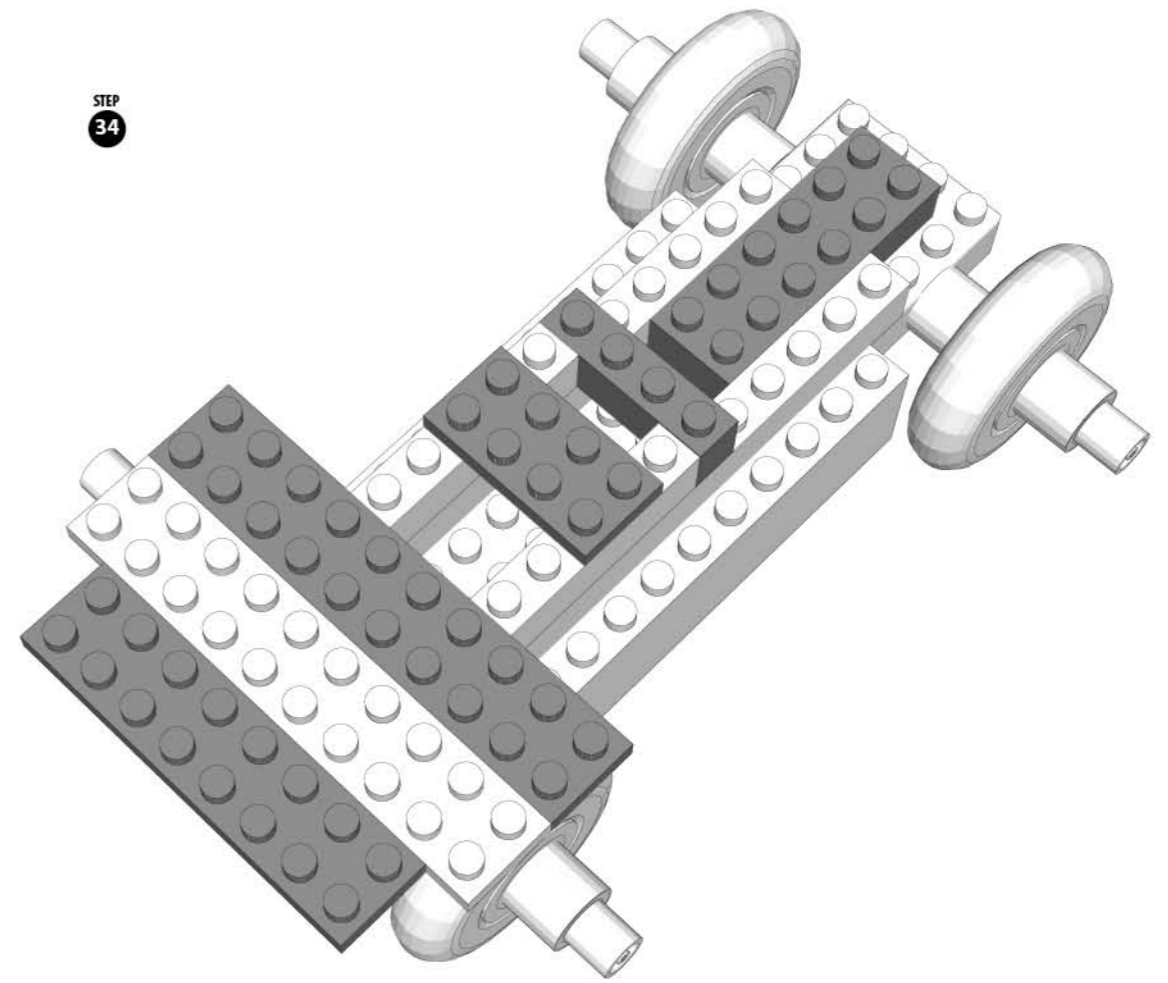
STEP
32



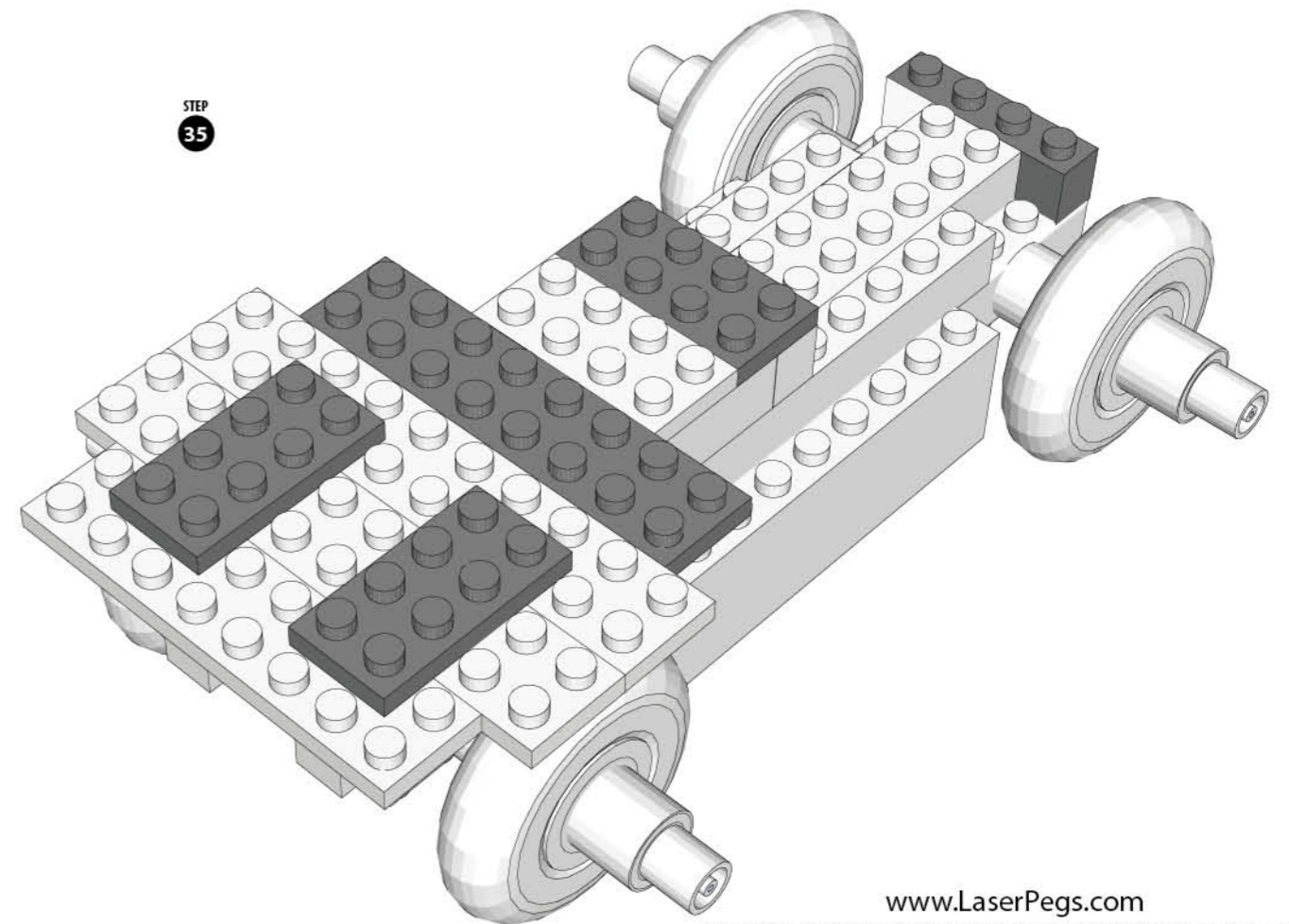
STEP
33



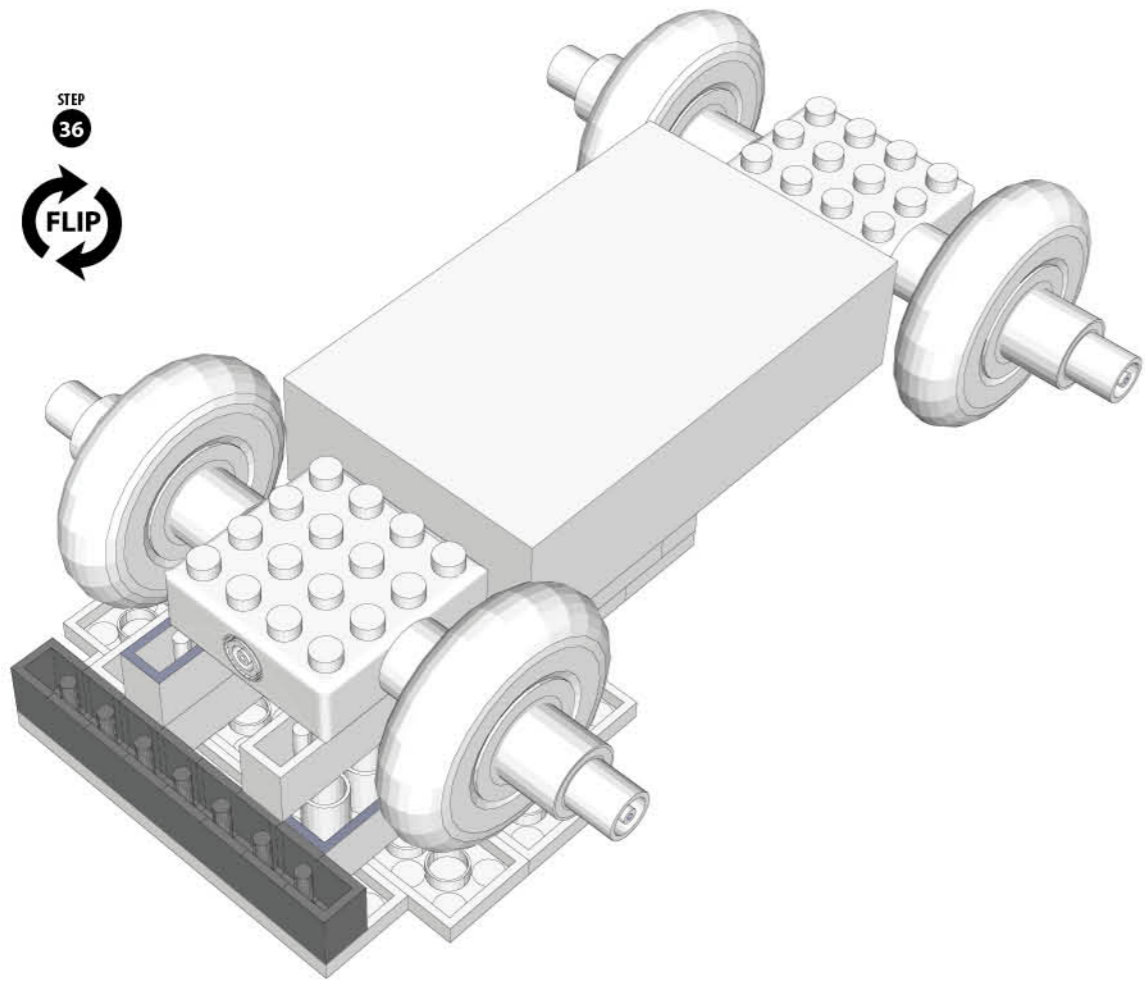
STEP
34



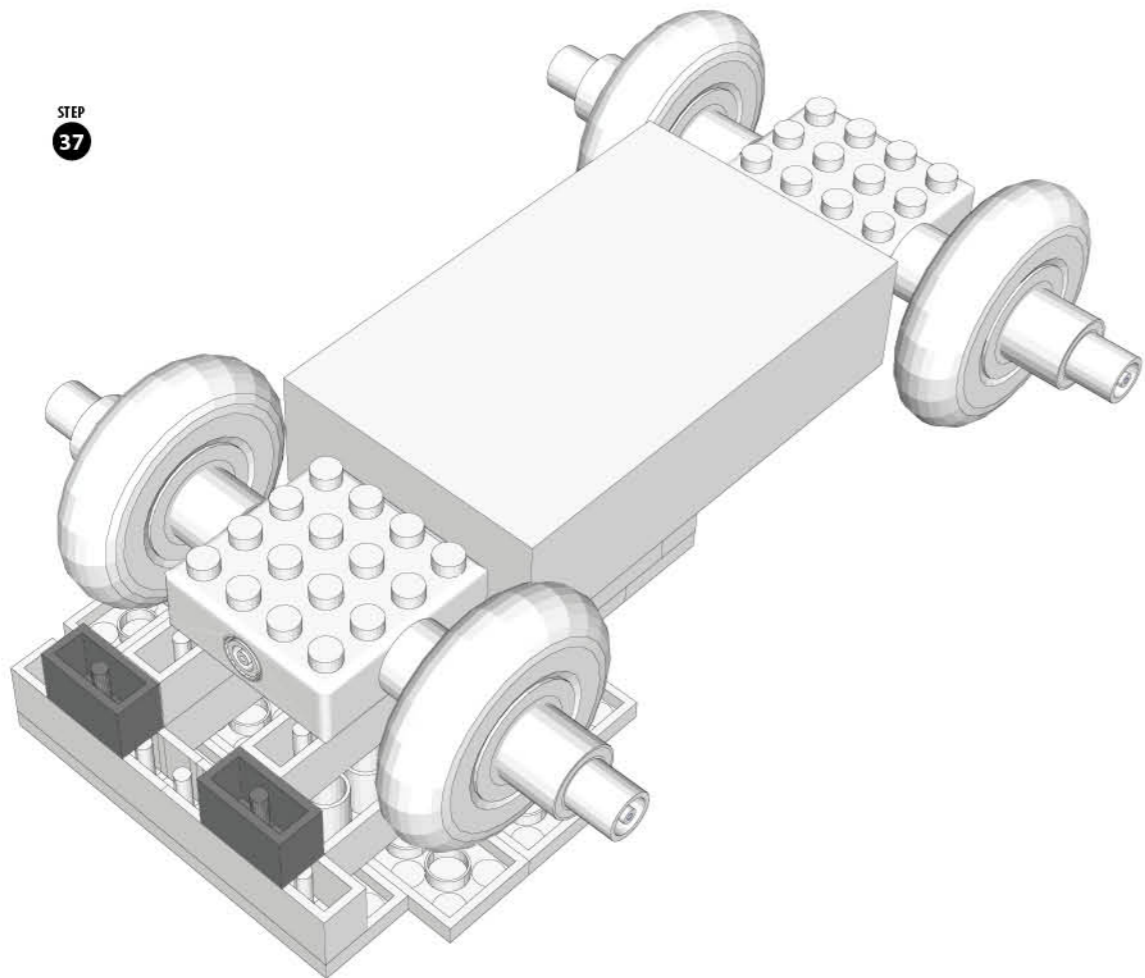
STEP
35



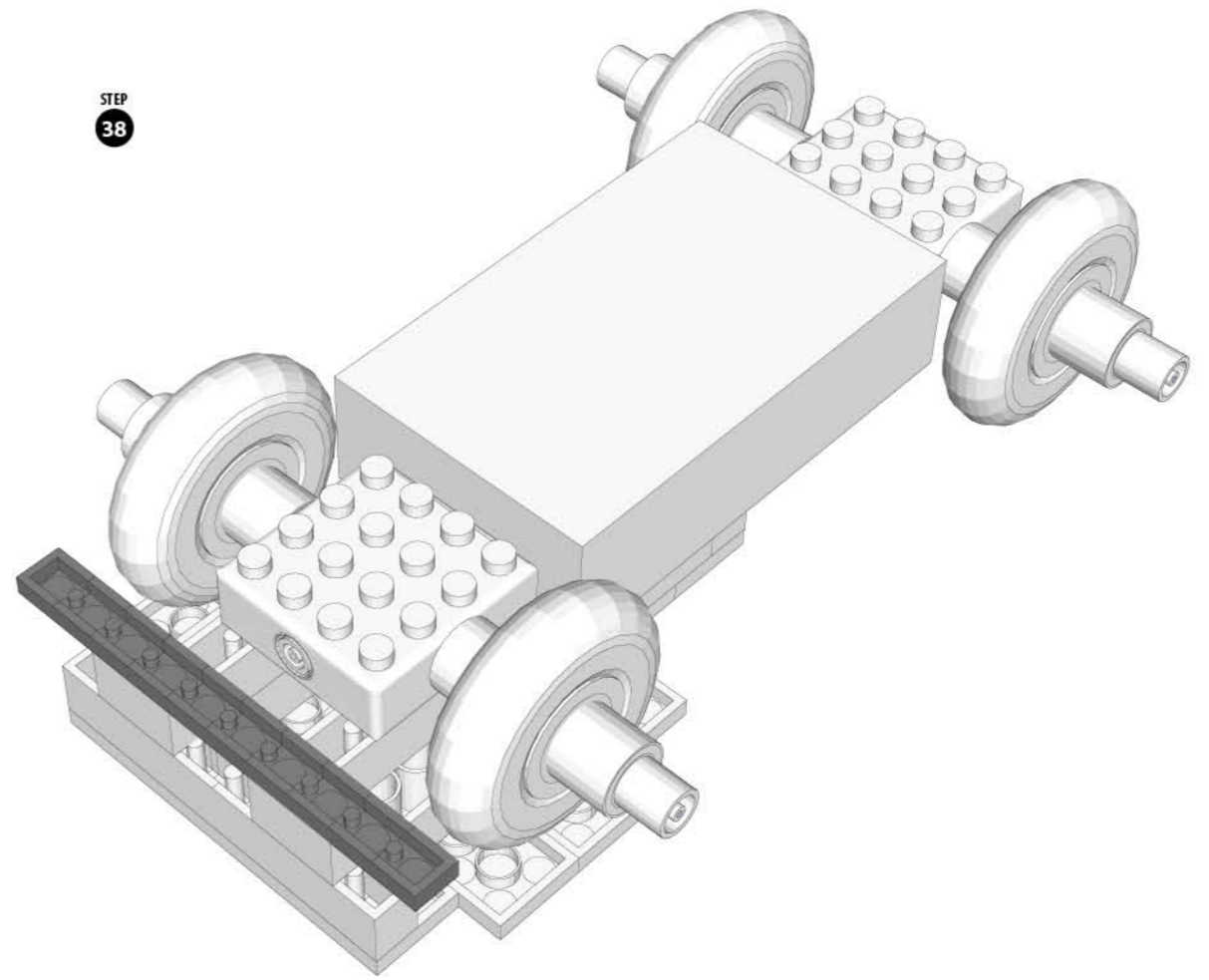
STEP 36
FLIP



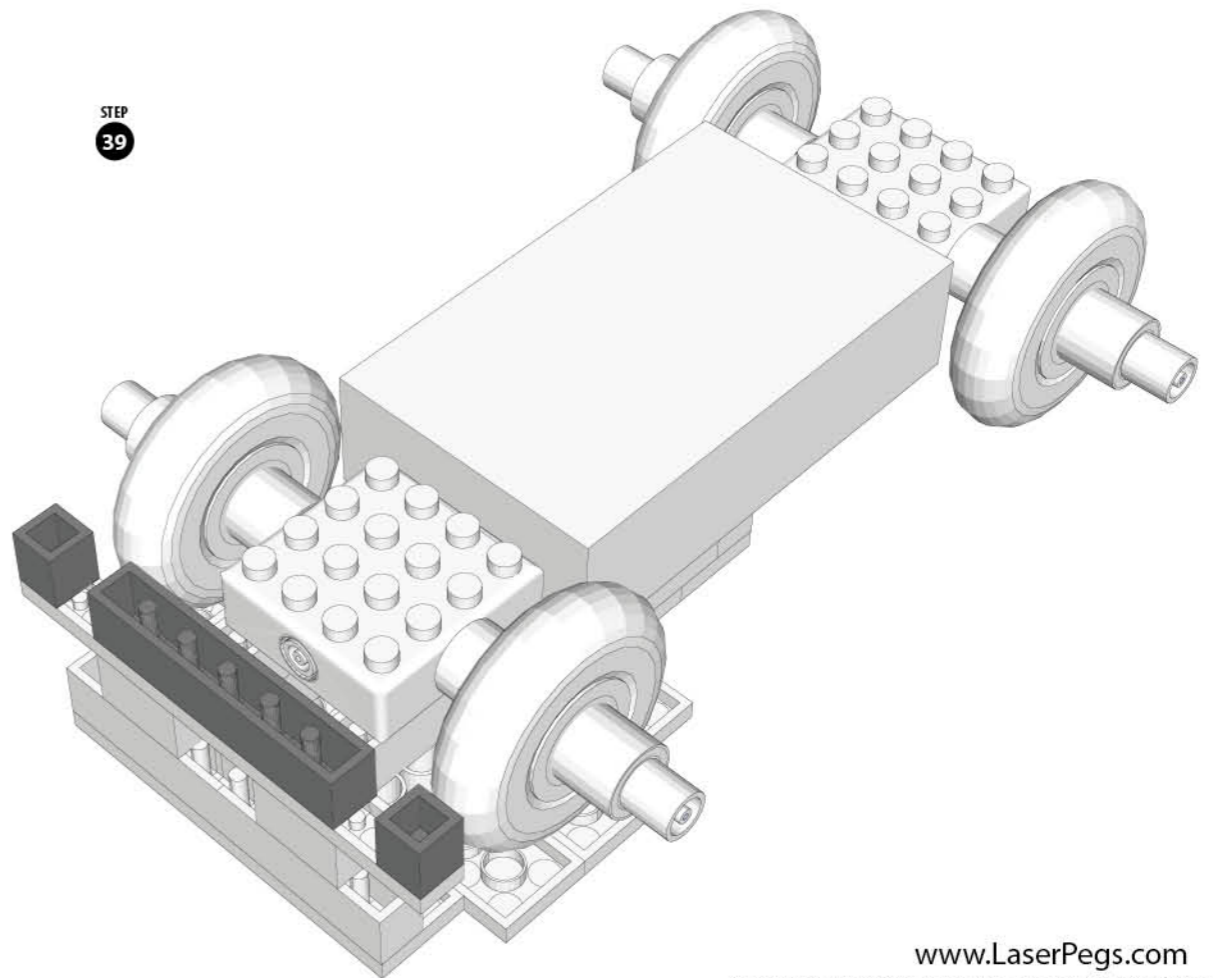
STEP 37



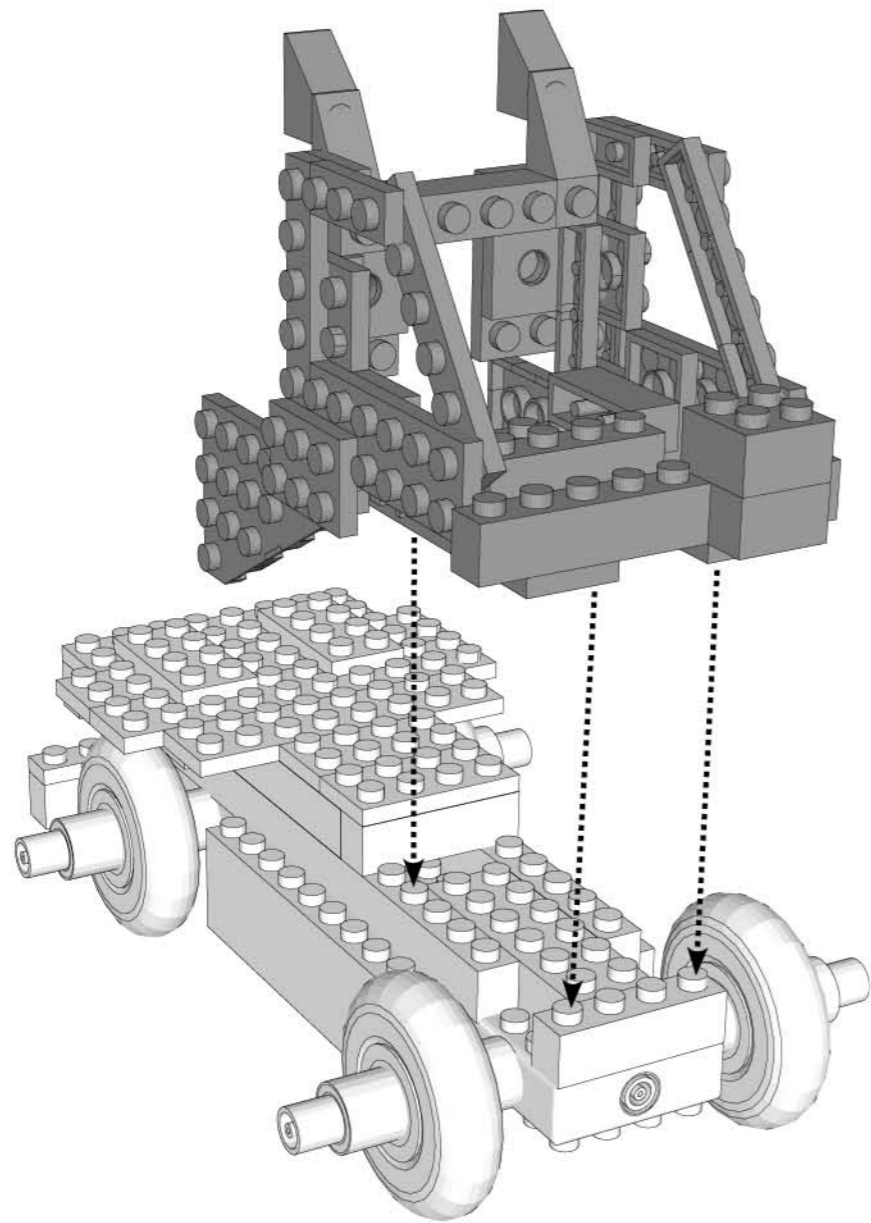
STEP 38



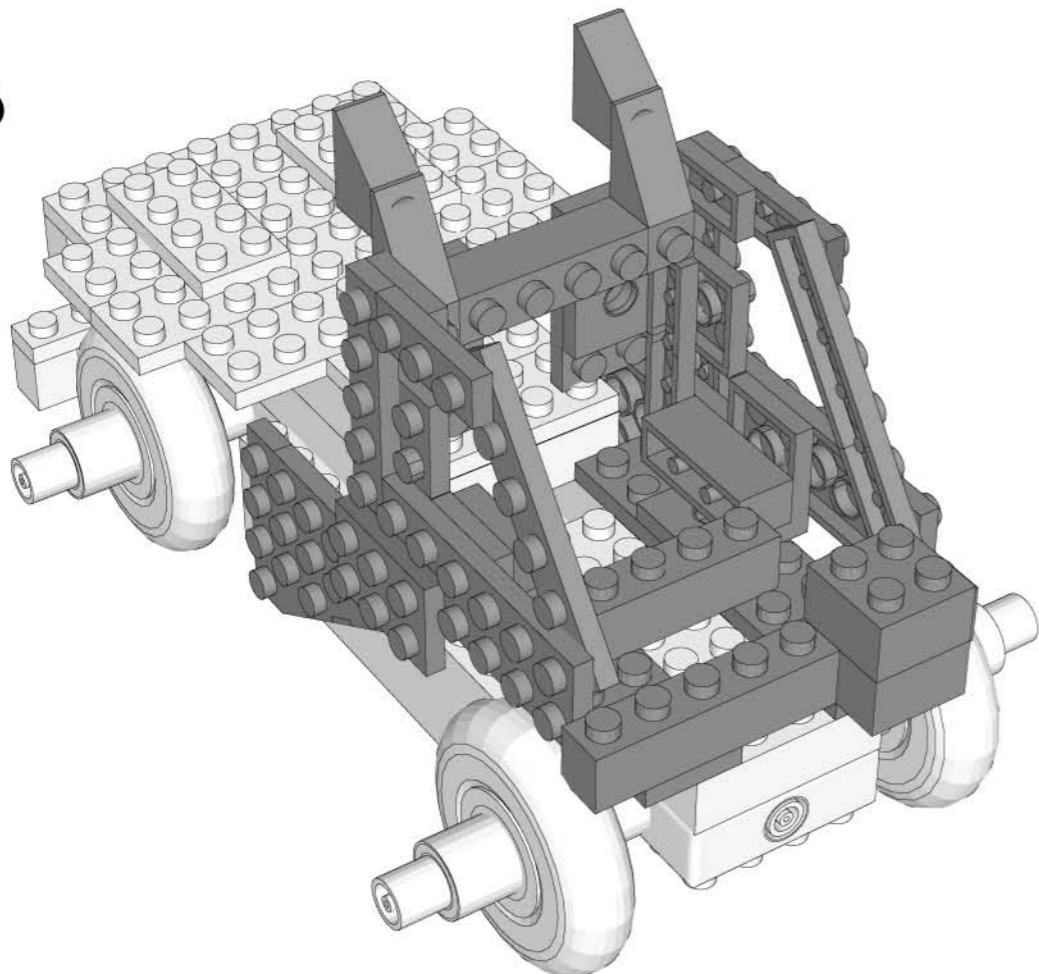
STEP 39



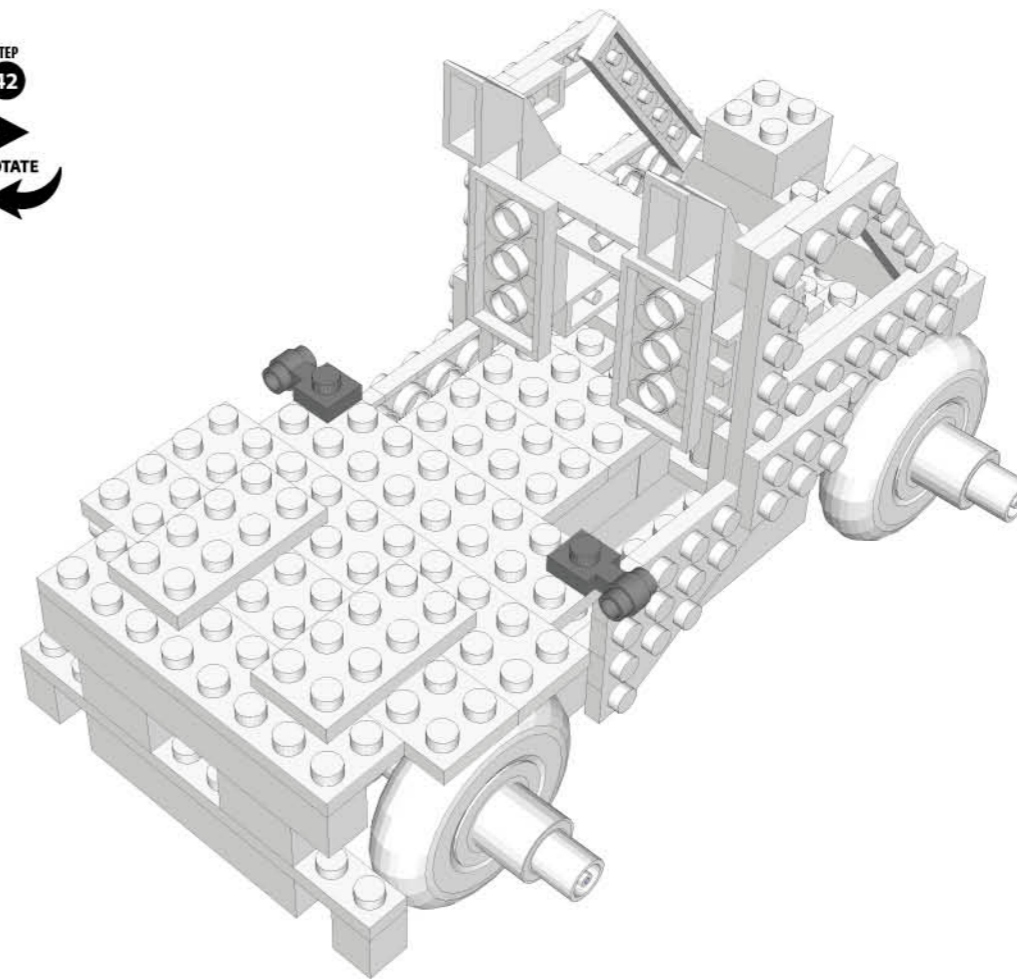
STEP 40
FLIP
ROTATE
COMBINE B



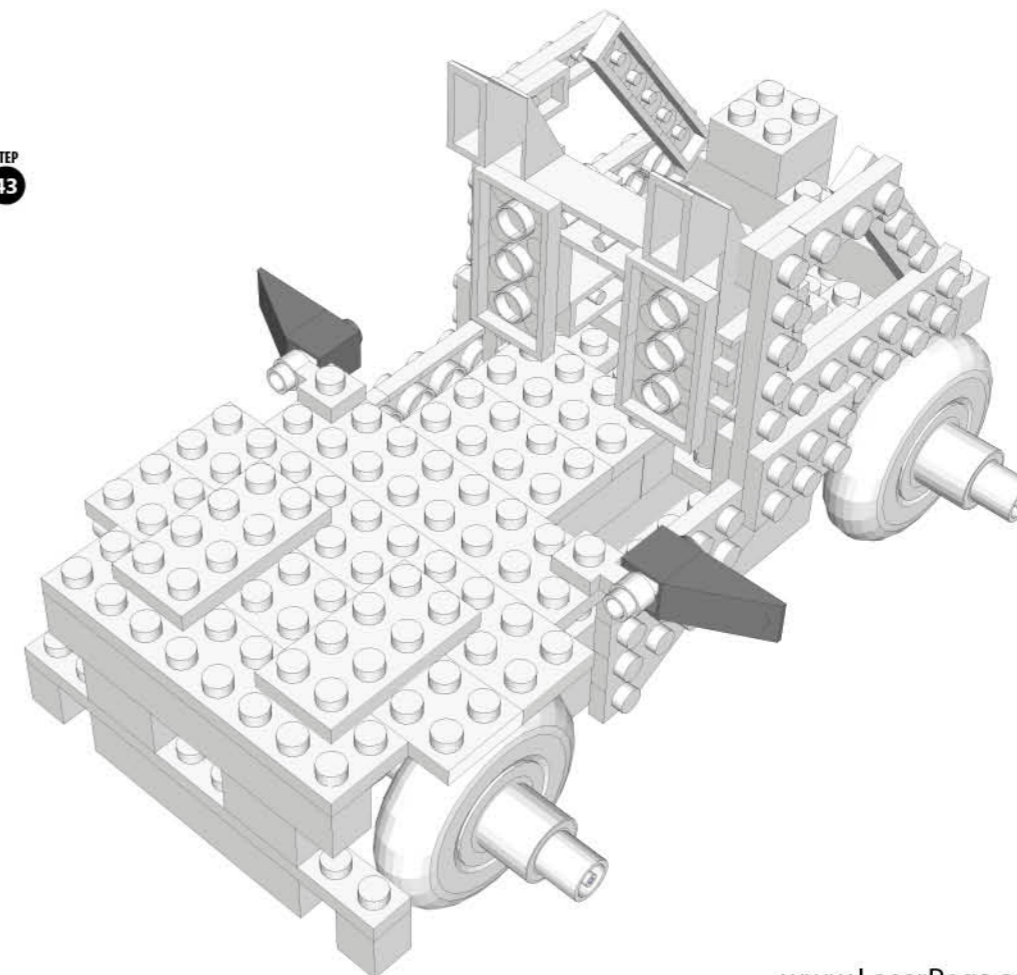
STEP 41

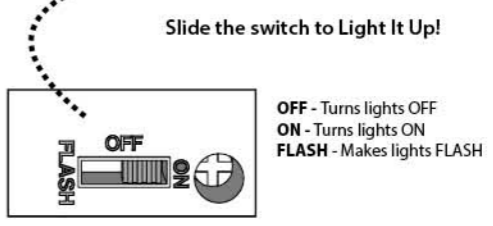
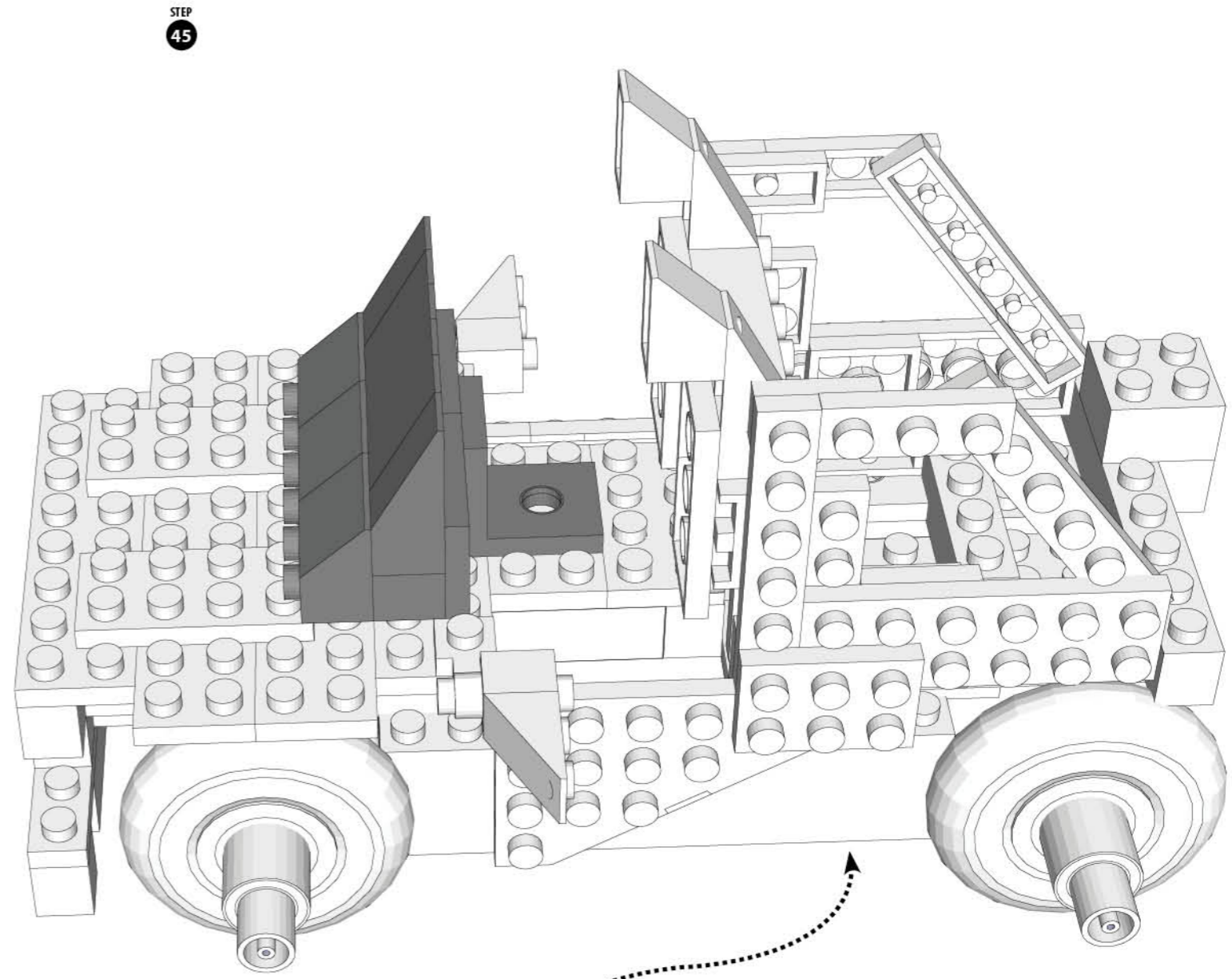
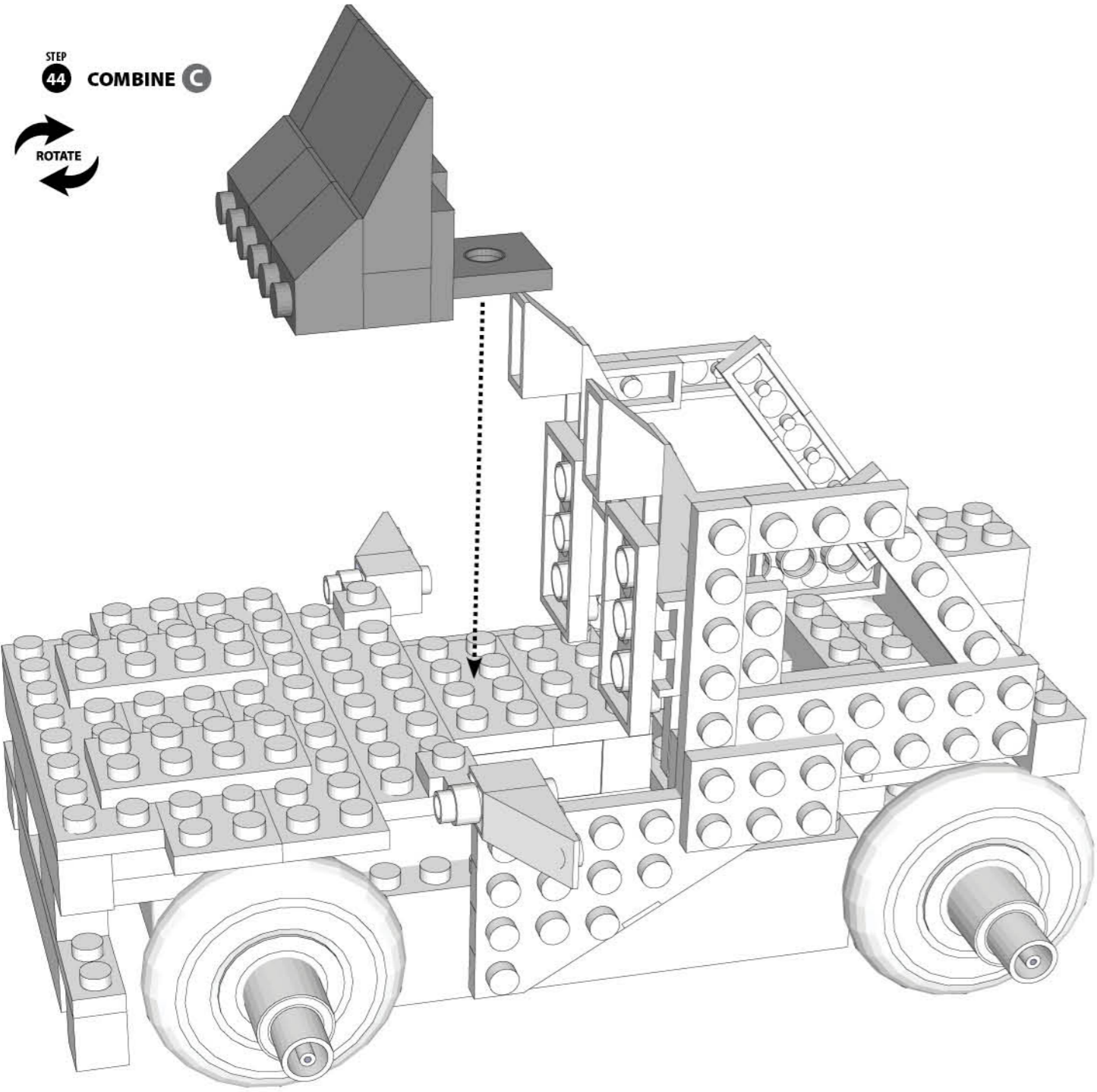


STEP 42
ROTATE



STEP 43





Environmental Phenomena

*The unit may malfunction if subjected to radio-frequency interference. It SHOULD revert to normal operation when the interference stops. If not, it may become necessary to turn the power off and back on, or remove and reinstall the batteries.

*In the unlikely event of an electrostatic discharge, the unit may malfunction and lose memory, requiring the user to reset the device by removing and reinstalling the batteries.

Laser Pegs® CARES
Questions? Comments?
For additional compliance info:
1-866-432-3735
Contact: Support@LaserPegs.com

MADE IN CHINA
www.LaserPegs.com
 Copyright 2014 © All Rights Reserved Global & Multiple Patents Pending.
 US Patent #7,731,558

LASER PEGS®

The Ultimate Construction Toy For Kids®

PBI430B

POWER BLOCK

TRUCK Series

Ages 5+

8 Models+

Any creation you can build

LIGHTED

MOBILE POWER BLOCK™ SET

INCLUDES:

- 100 Tinted Bricks
- 4 Tire Pegs
- 2 Square M-M Pegs
- 1 Mobile Power Block™

Requires 3 AAA Batteries

Batteries NOT Included

EN71, RoHS COMPLIANT

This product complies to all safety requirements of ASTM F 963

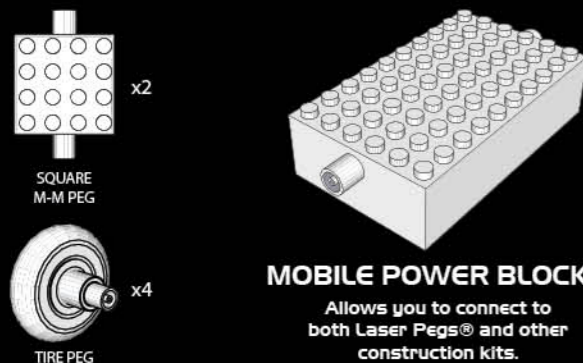
DO NOT SUBMERGE IN WATER

WARNING: CHOKING HAZARD-Small parts. Not for children under 3 yrs. Do not submerge in water.

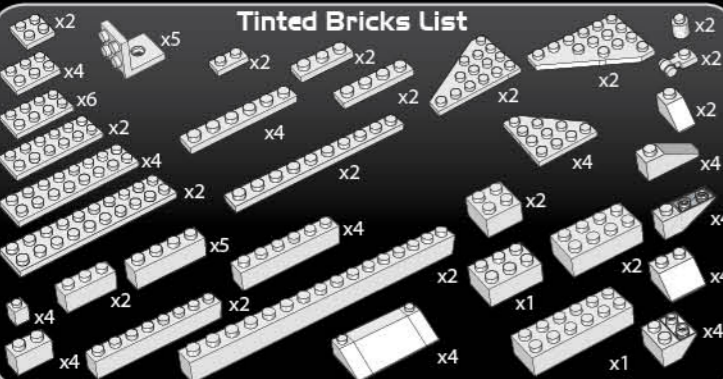
MODEL INSTRUCTIONS

All additional model instructions can be downloaded at www.LaserPegs.com

Laser Pegs® Parts List



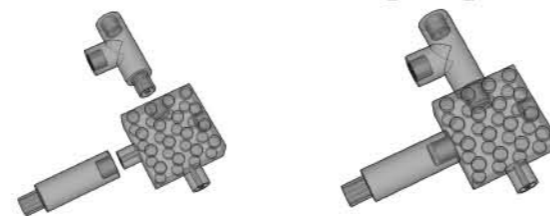
Color Code Each Laser Peg® is color coded on the circuit board inside each shape.



www.LaserPegs.com

This manual is copyright and cannot be reproduced or used online without Laser Pegs® Ventures LLC permission. Copyright 2014 © All Rights Reserved US Patent #7,731,558 Additional Global & Multiple Patents Pending. Laser Pegs® Ventures LLC, 8304 Consumer Ct., Sarasota FL 34240. Contact: Support@LaserPegs.com

Connecting Pegs



To construct with Laser Pegs®, slide two pieces together to form a connection. Slide each piece on and off smoothly.

POWER BLOCK

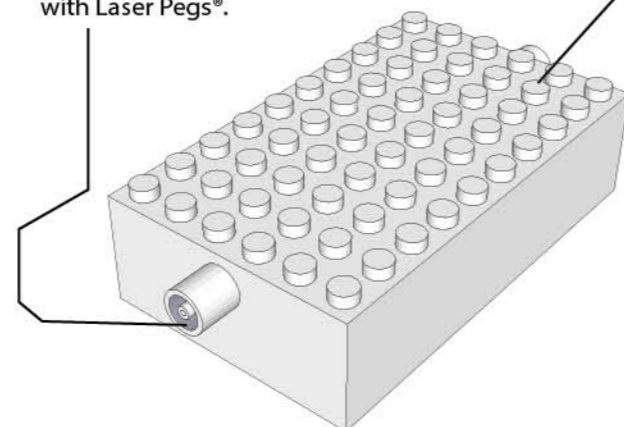
The Power Block is a Power Base that allows you to build with Laser Pegs® and construction parts to build models that light up. It is battery operated. (BATTERIES NOT INCLUDED.)

Laser Pegs® Connections

Allows you to construct with Laser Pegs®.

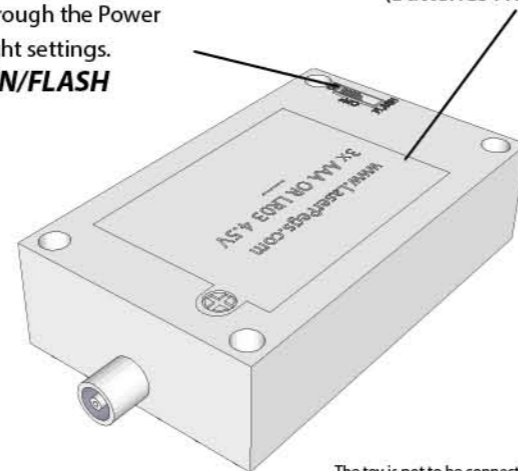
Construction Part Connections

Allows you to connect to other construction kits.



Power Switch

Move the Power Switch to cycle through the Power Block light settings.
OFF/ON/FLASH

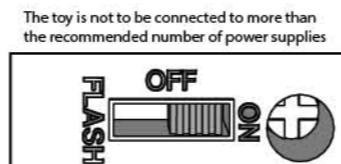


Battery Compartment

Requires 3-AAA Batteries (Batteries Not Included)

LIGHT SETTINGS

OFF - Turns lights OFF
ON - Turns lights ON
FLASH - Makes lights FLASH



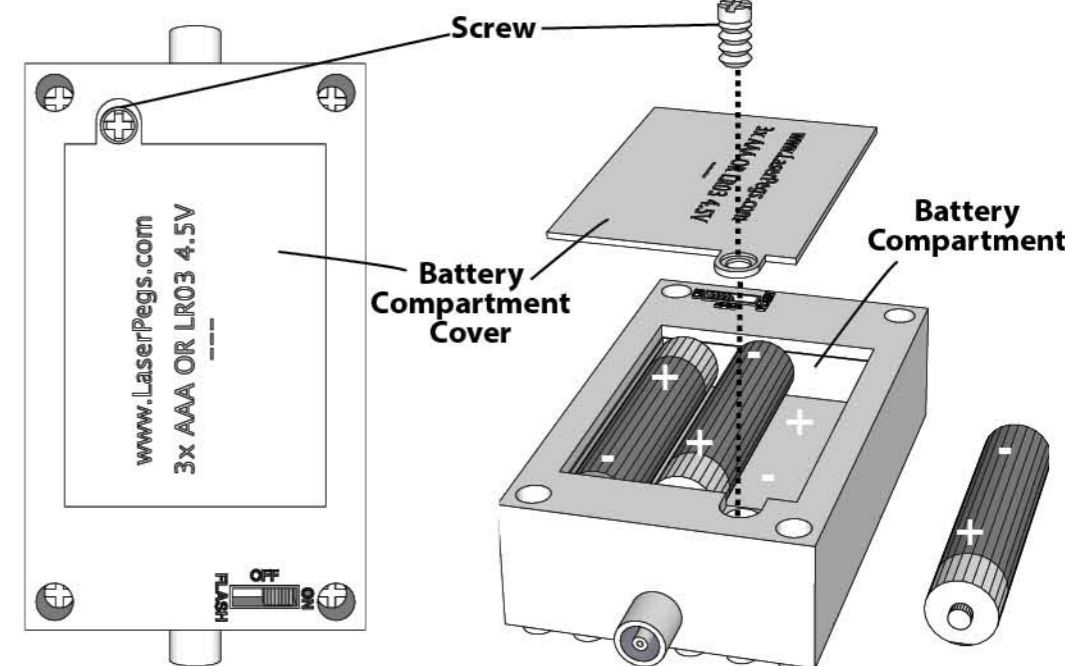
WARNING: STROBE LIGHTS MAY CAUSE SEIZURES

WARNING! Each Laser Peg® draws current from the batteries. Therefore, the more pegs you use, the quicker you will deplete your battery power! As the power weakens, the current will slowly fail and some Laser Pegs® will illuminate (typically the reds and yellows) and some won't. When the Laser Pegs® dim, the Laser Pegs® are not broken, they just need stronger batteries. You have 2 simple options...
1. Change the batteries.
2. Use high quality batteries. They will last a little longer, but they will still deplete rapidly the more Laser Pegs® you connect!

Replacing Batteries

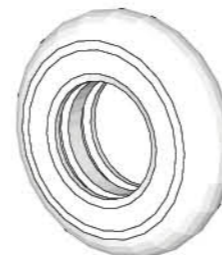
1. Remove Screw.
2. Lift off Battery Compartment Cover.
3. Place three (3) AAA batteries in the correct position - as displayed inside of the Power Block.
4. Replace Battery Compartment Cover and Screw.
5. Slide Power Switch setting to OFF/ON/FLASH.
6. Do not mix old and new batteries.
7. Do not mix alkaline, standard (carbon-zinc), or rechargeable (nickel-cadmium, NiMH) batteries!
8. Exhausted batteries are to be removed from the power base.
9. Never connect more than 30 Laser Pegs® at one time!
10. Non-rechargeable batteries are not to be recharged.
11. Rechargeable batteries are only to be recharged under adult supervision.
12. Rechargeable batteries are to be removed from the toy before being recharged.
13. Batteries are to be inserted with the correct polarity.
14. The supply terminals are not to be short-circuited.
15. DO NOT THROW BATTERIES INTO FIRE!

Remove the Phillips head screw with a 4mm screw driver.
Requires 3-AAA Batteries
Batteries NOT Included



Requires 3-AAA Batteries

Connecting the Laser Pegs® Tire to the Axle Peg

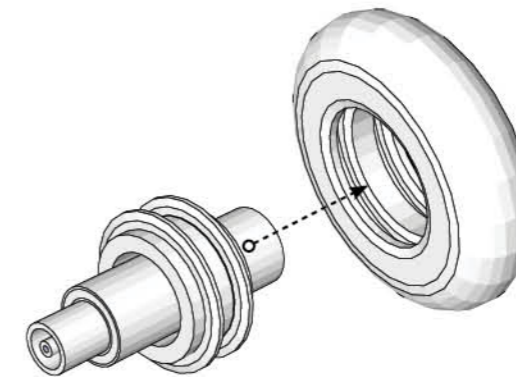


Tire

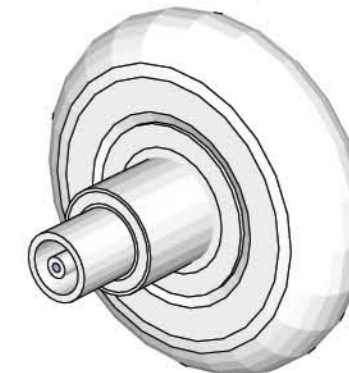


Axle Peg

Place Axle Peg through the Tire



Tire Peg

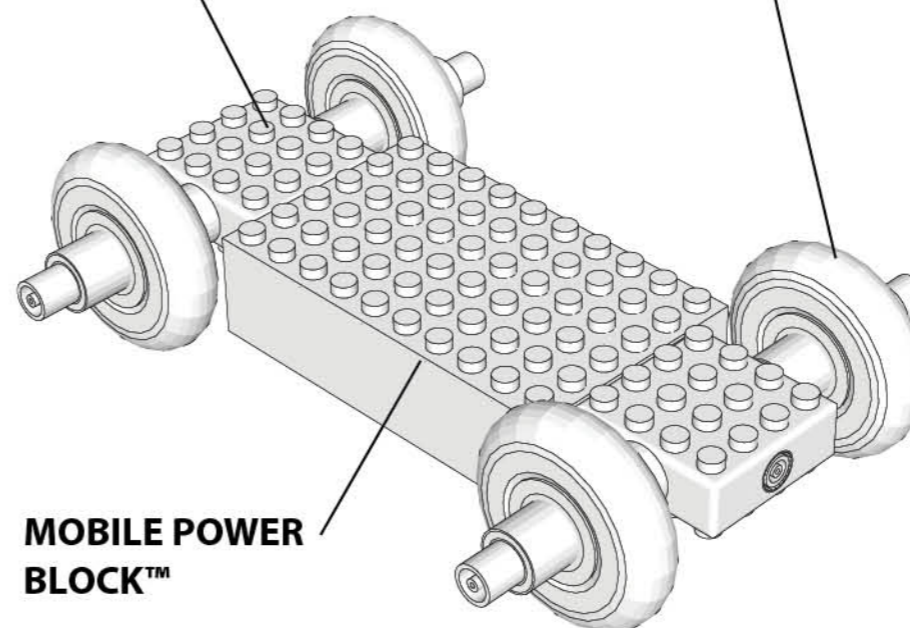


POWER BLOCK™

Use the Laser Pegs® Square M-M Peg to attach the Tire Pegs to the Power Block™.

Laser Pegs® Square M-M Peg

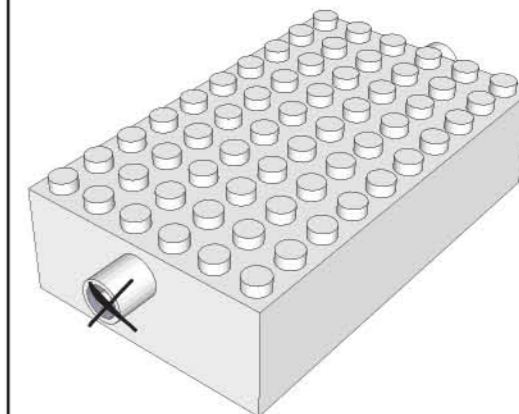
Tire Peg



MOBILE POWER BLOCK™

AVOID DAMAGE TO PEG HOLES

*To avoid short-circuits, keep metal objects and other unauthorized materials from obstructing the peg holes.



Never connect more than 30 Laser Pegs® to the Power Block at one time.

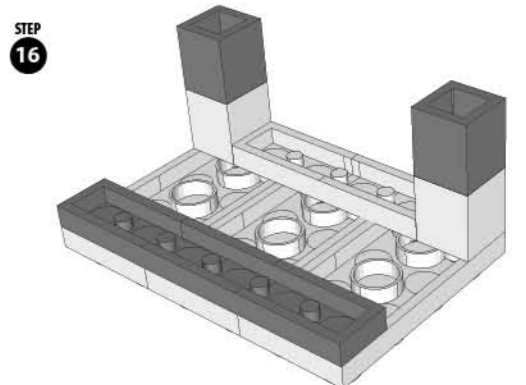
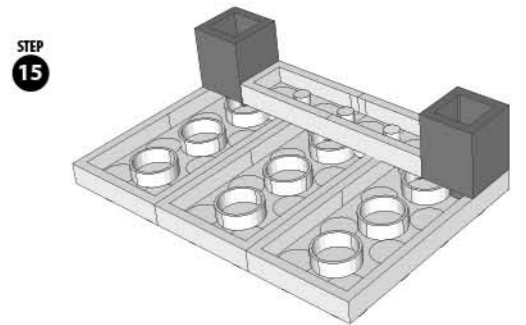
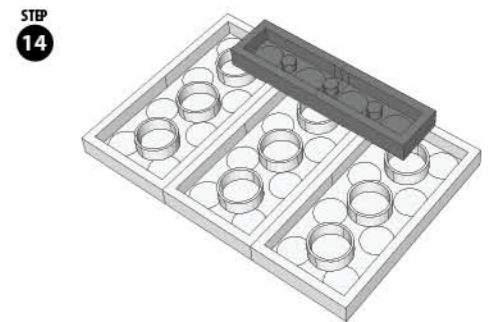
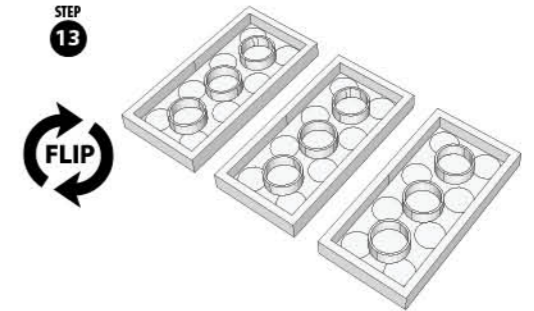
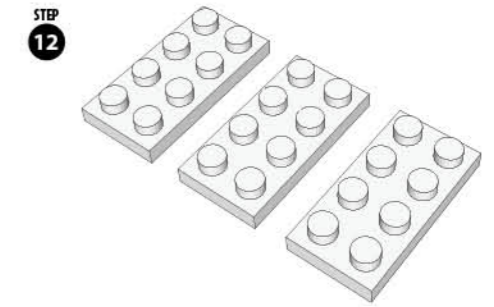
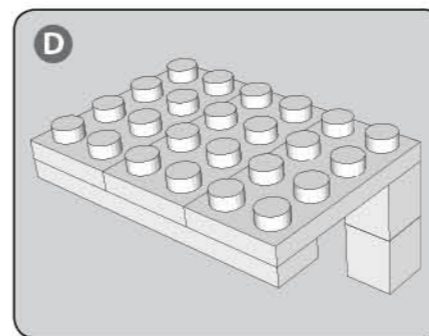
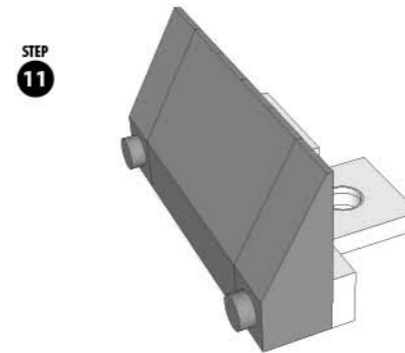
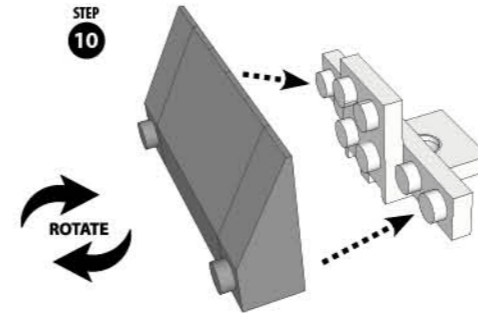
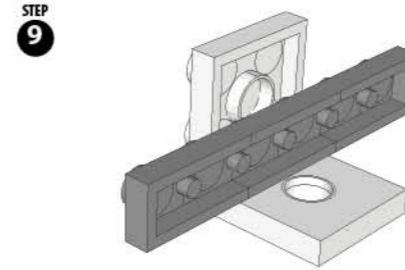
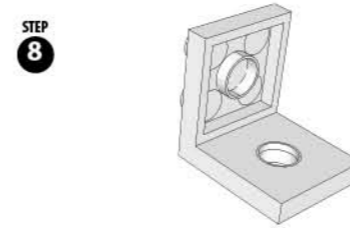
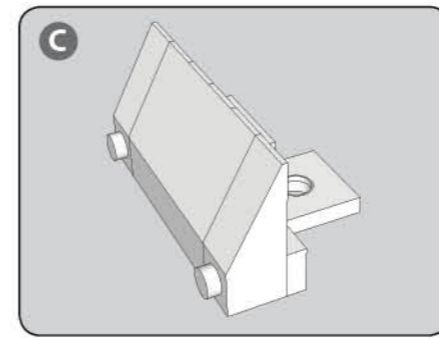
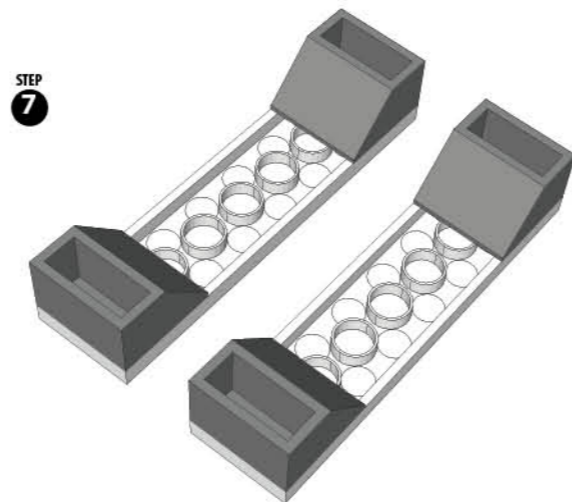
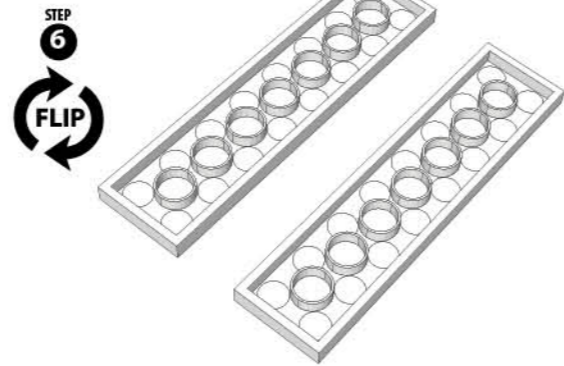
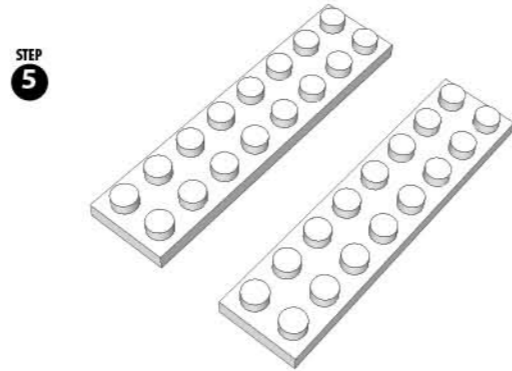
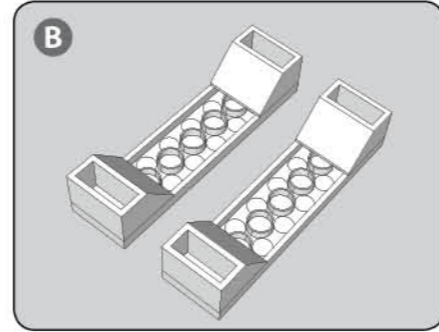
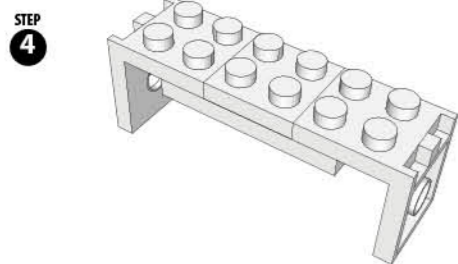
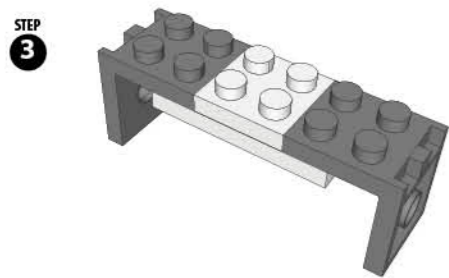
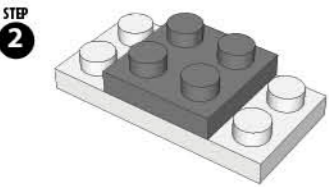
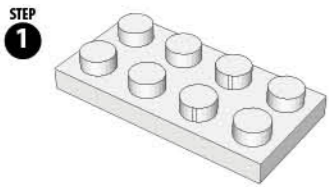
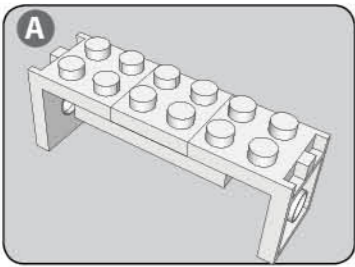
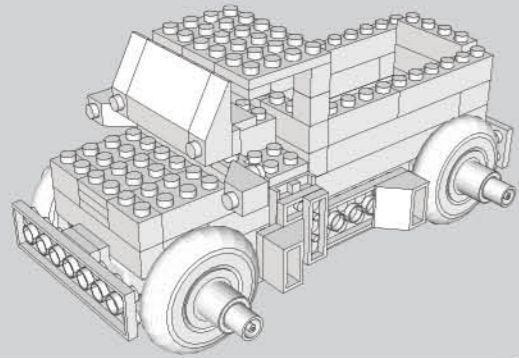
PICKUP - The first "Pick-Up" truck was built by Gottlieb Daimler in 1896. It had a four horsepower belt driven engine with two forward speeds and one speed for reverse.

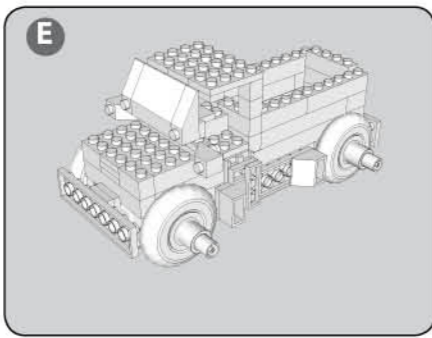


PICKUP

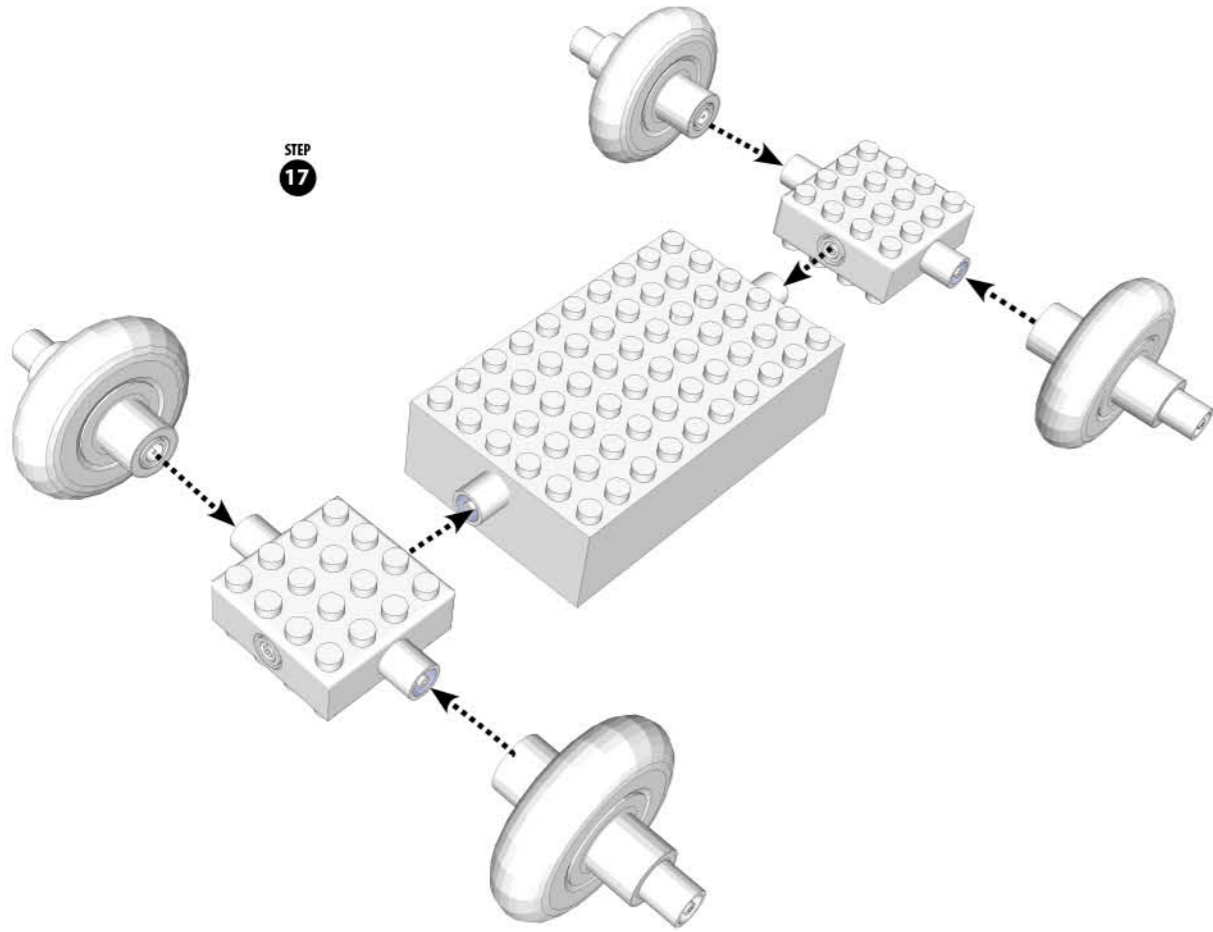
Model
Difficulty
Level

3

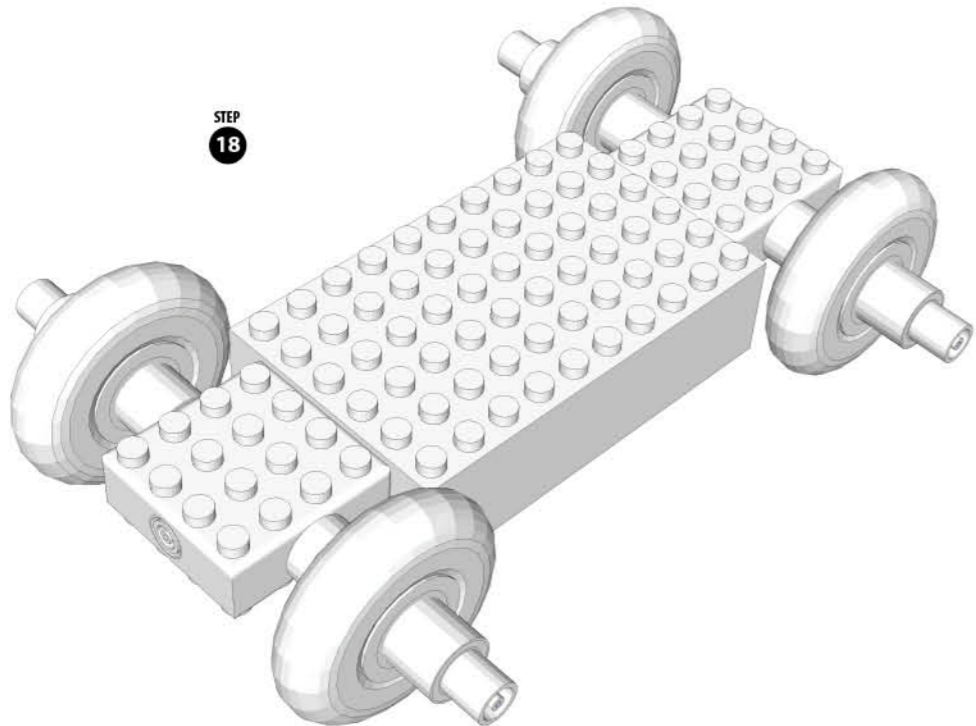




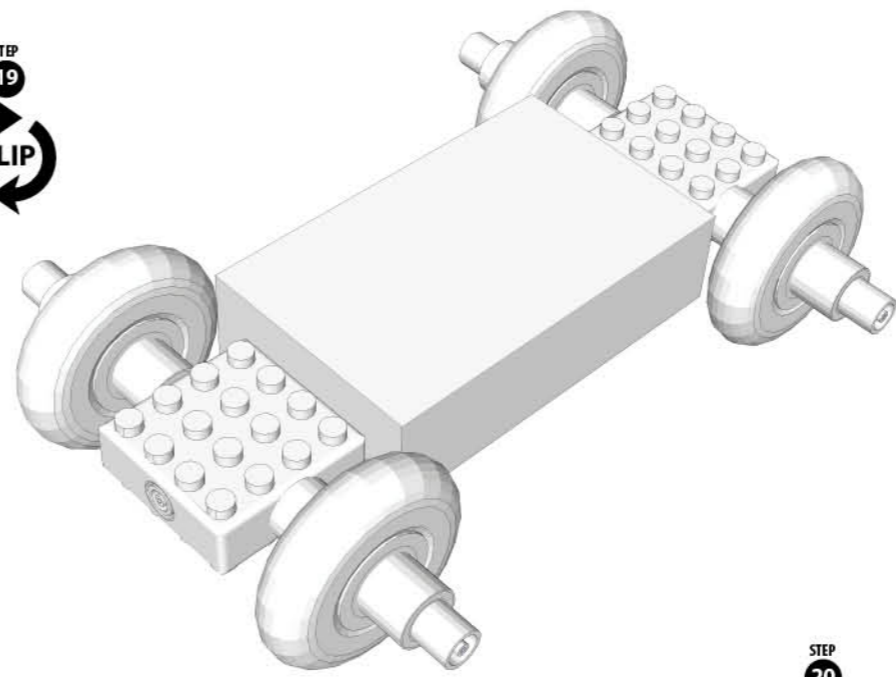
STEP 17



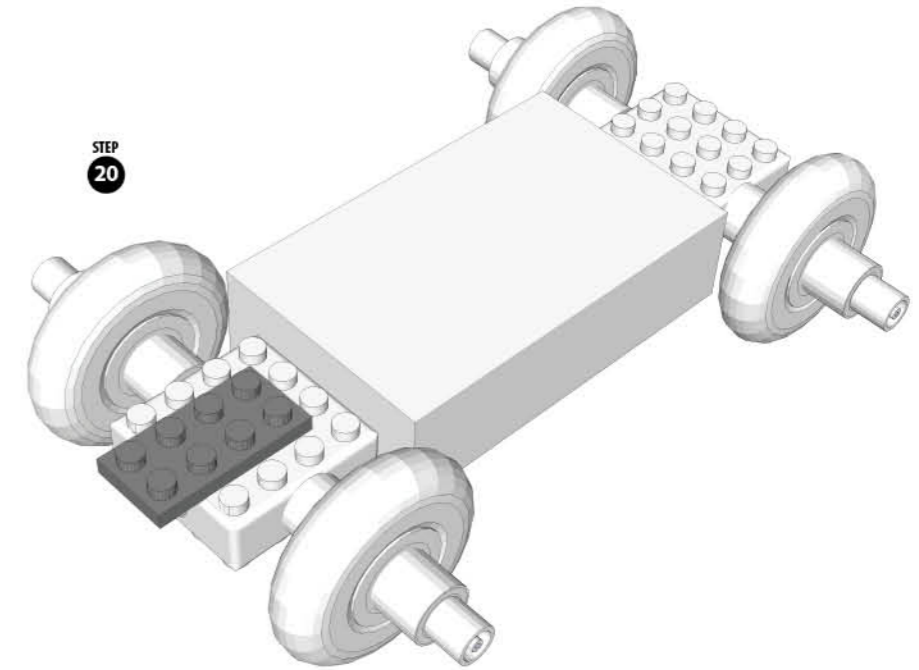
STEP 18



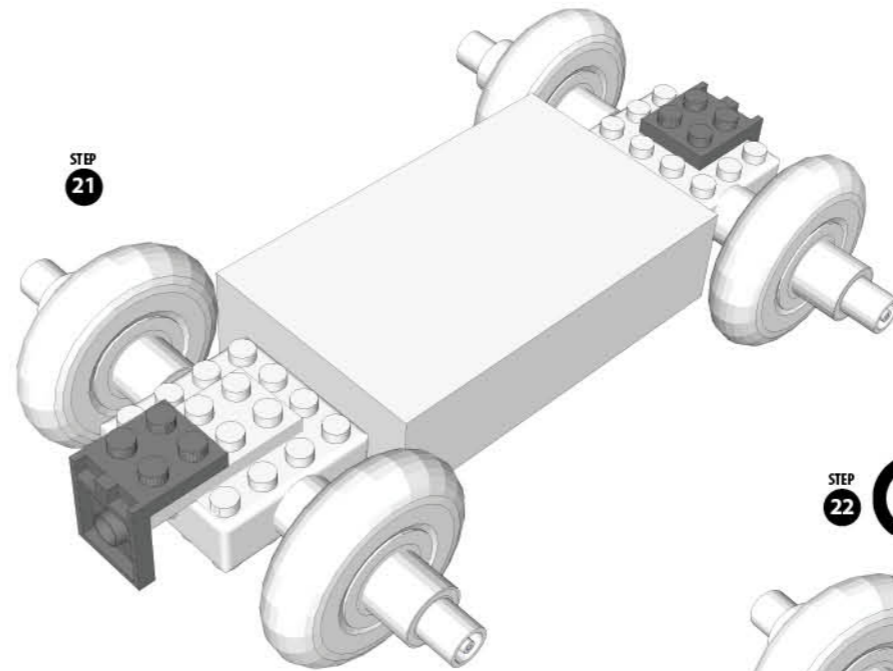
STEP 19
FLIP



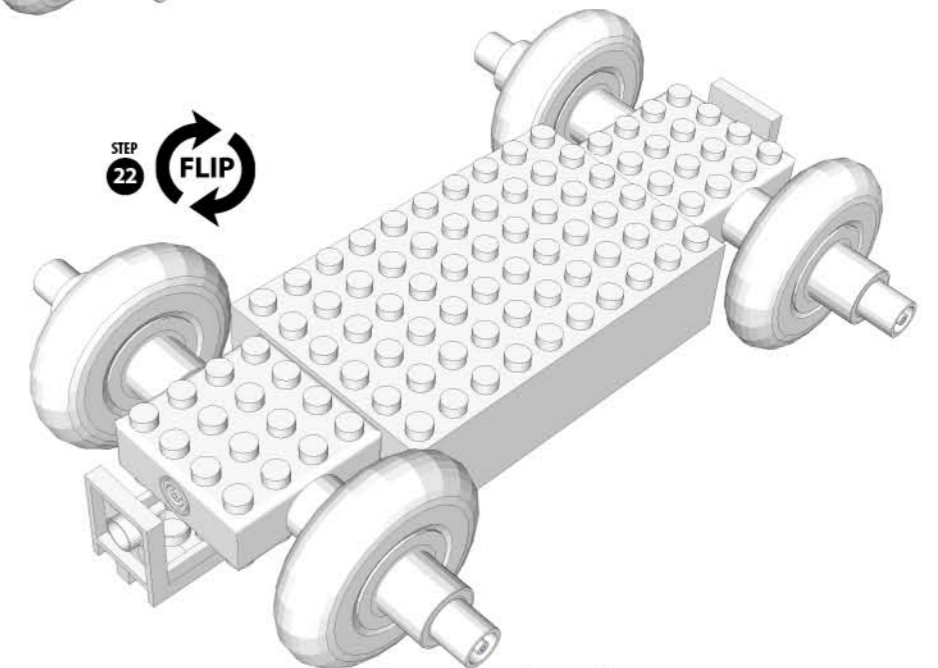
STEP 20



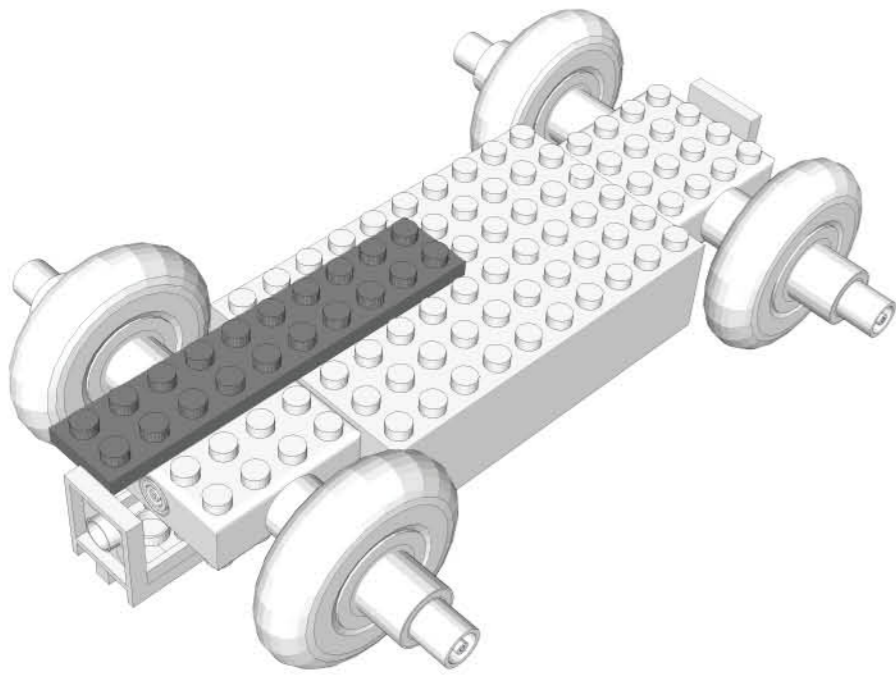
STEP 21



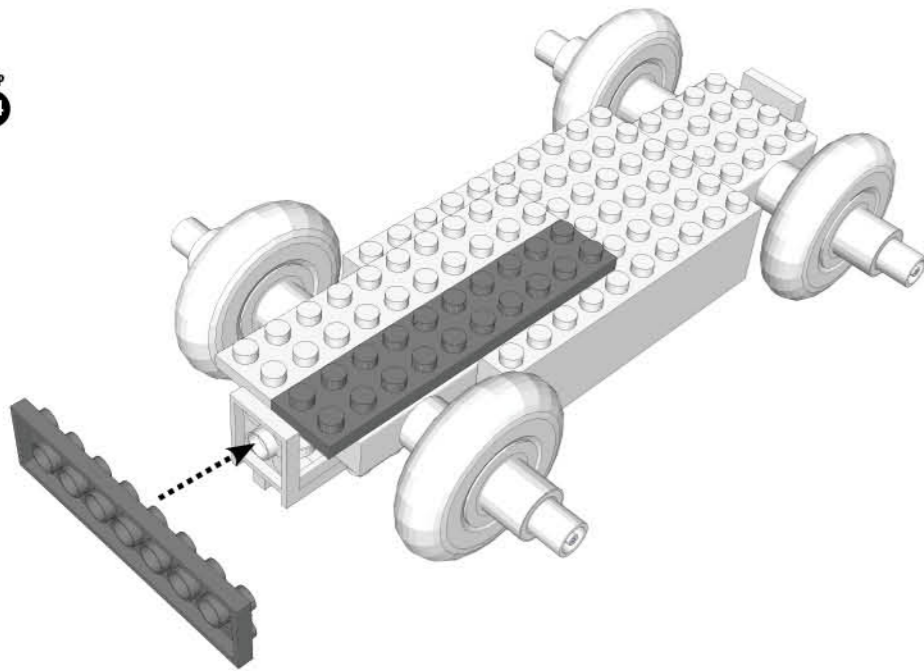
STEP 22
FLIP



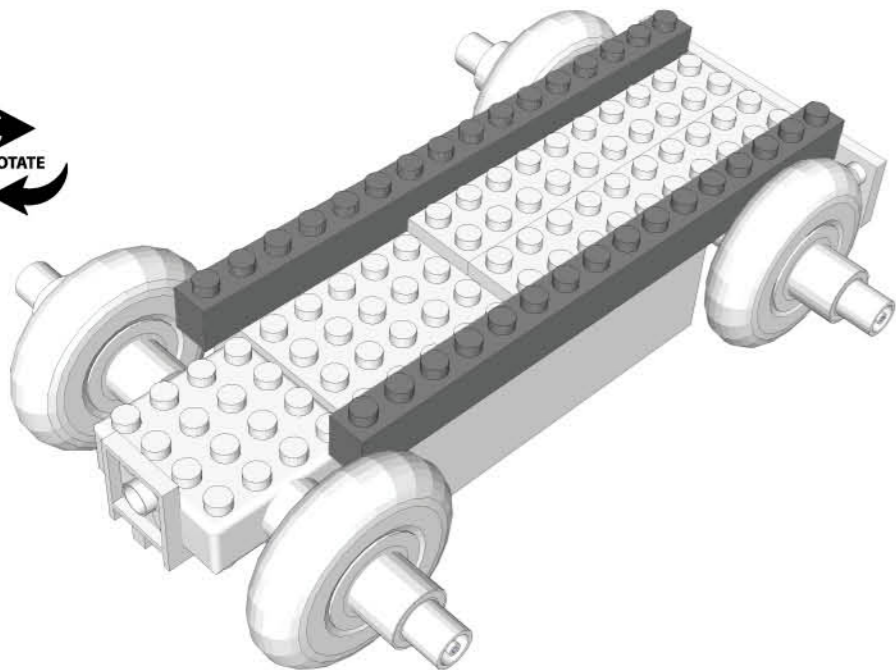
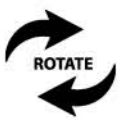
STEP 23



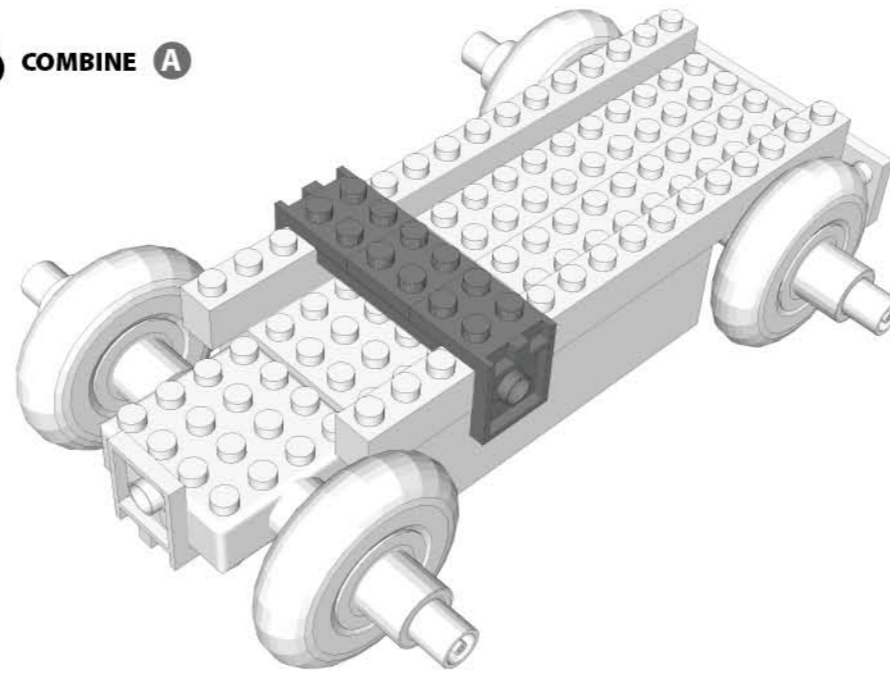
STEP 24



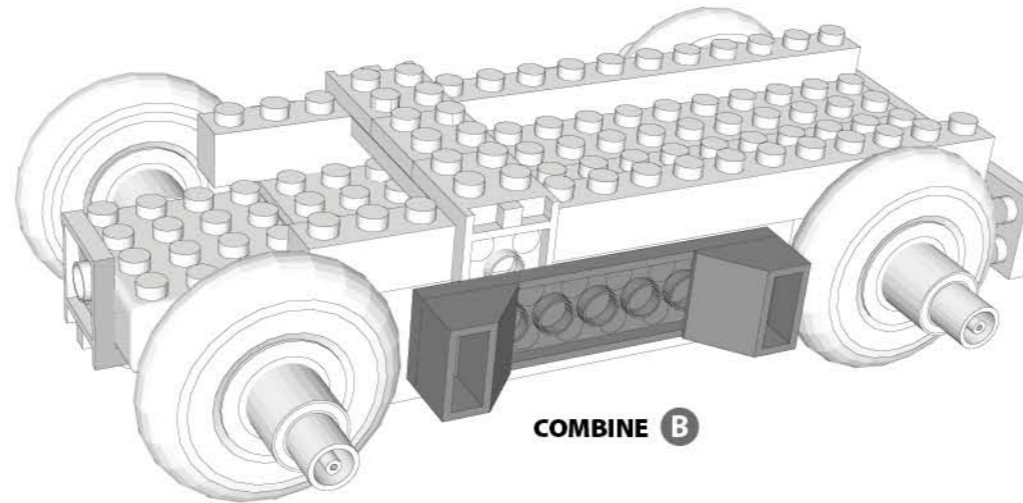
STEP 25



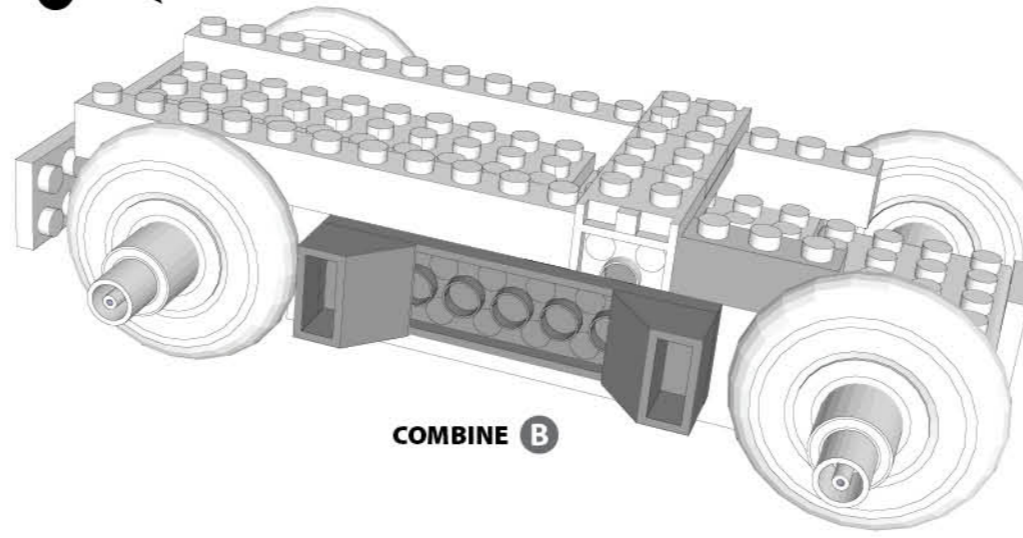
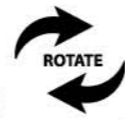
STEP 26 COMBINE A



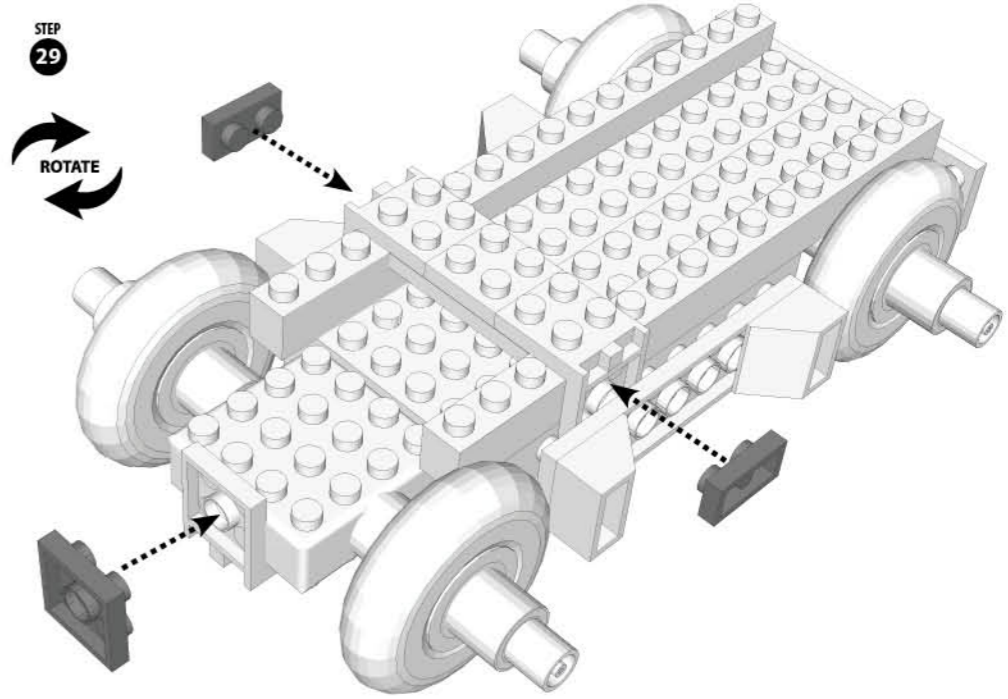
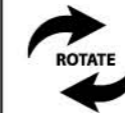
STEP 27



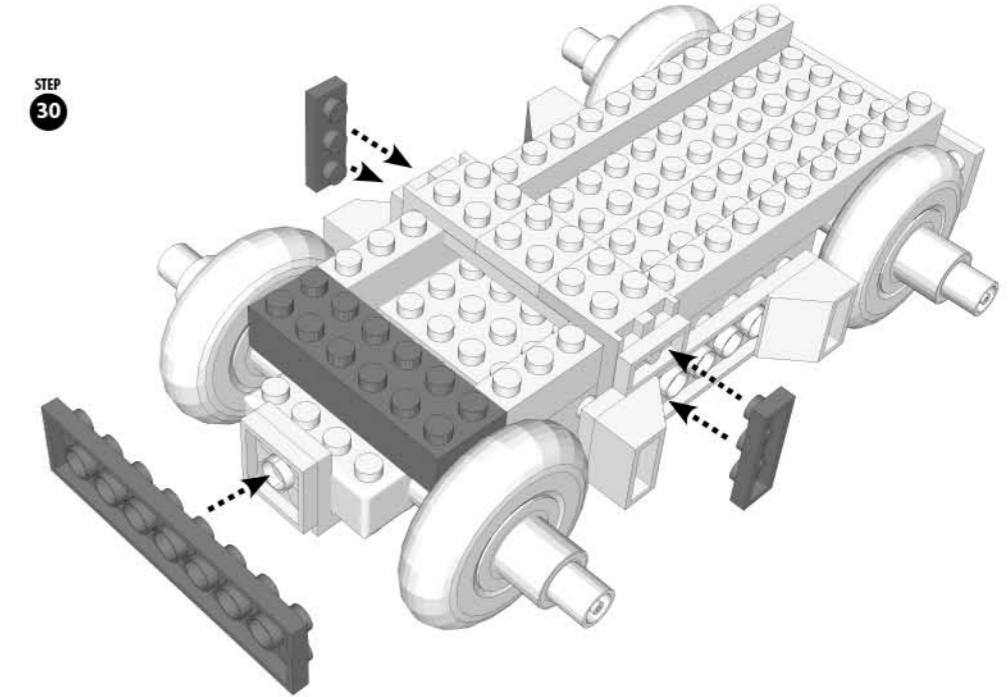
STEP 28



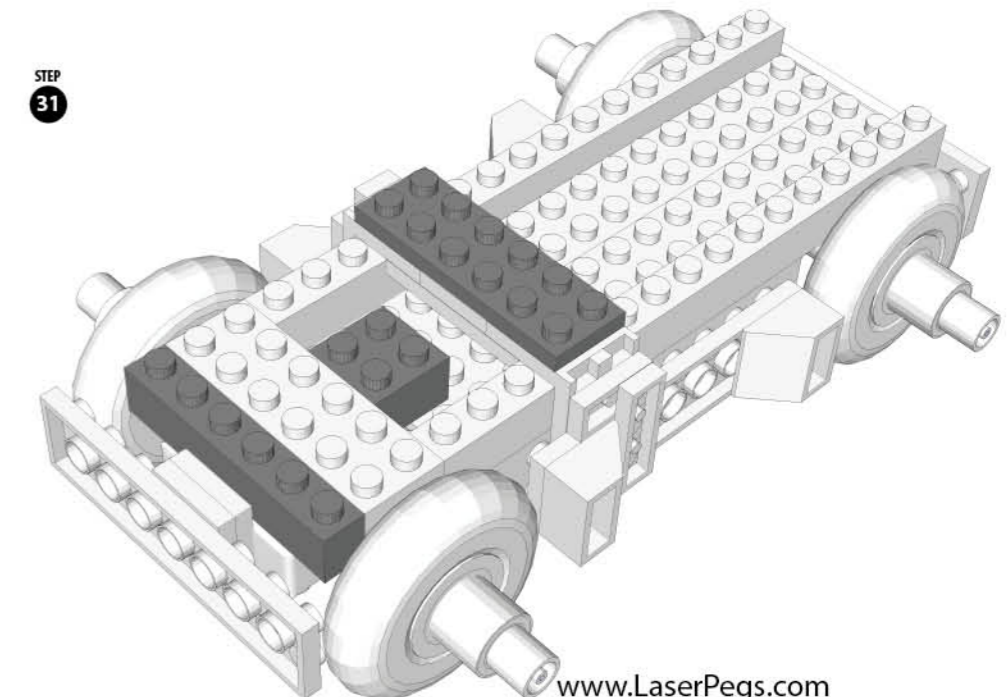
STEP 29



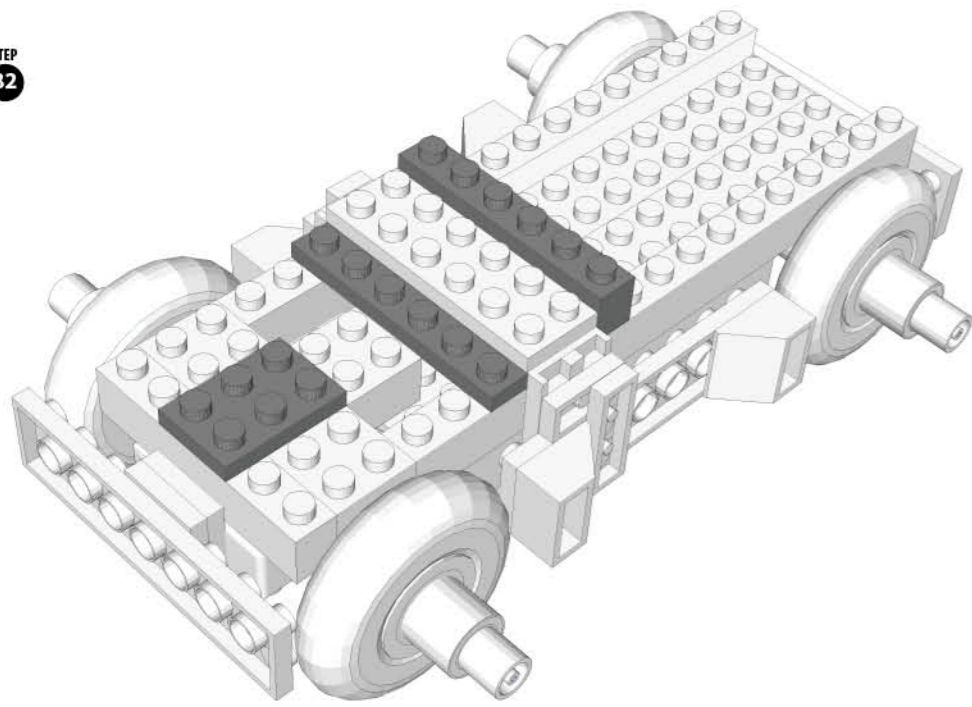
STEP 30



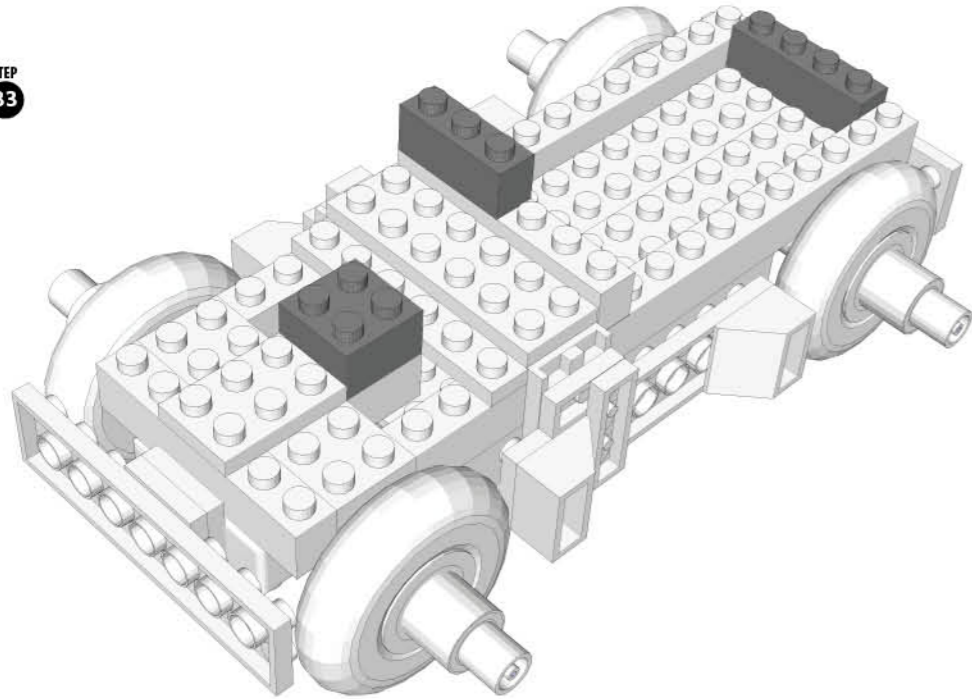
STEP 31



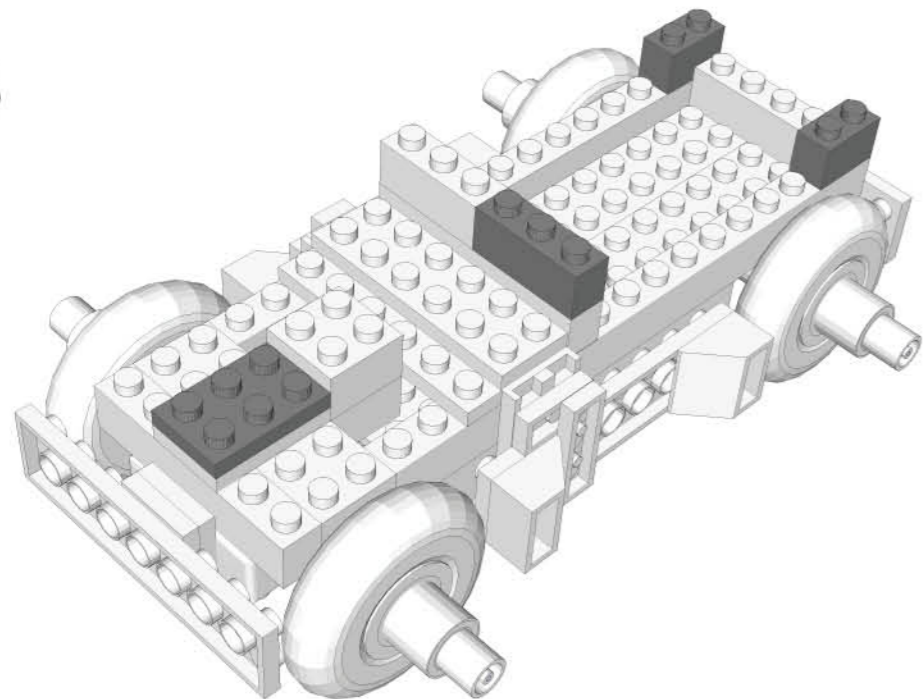
STEP 32



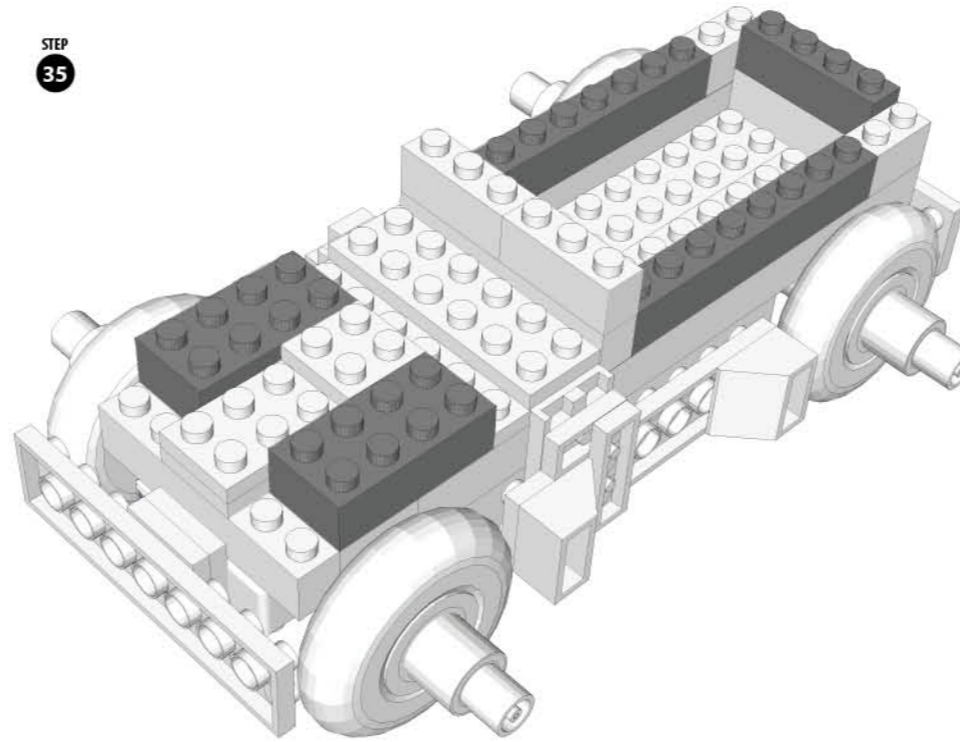
STEP 33



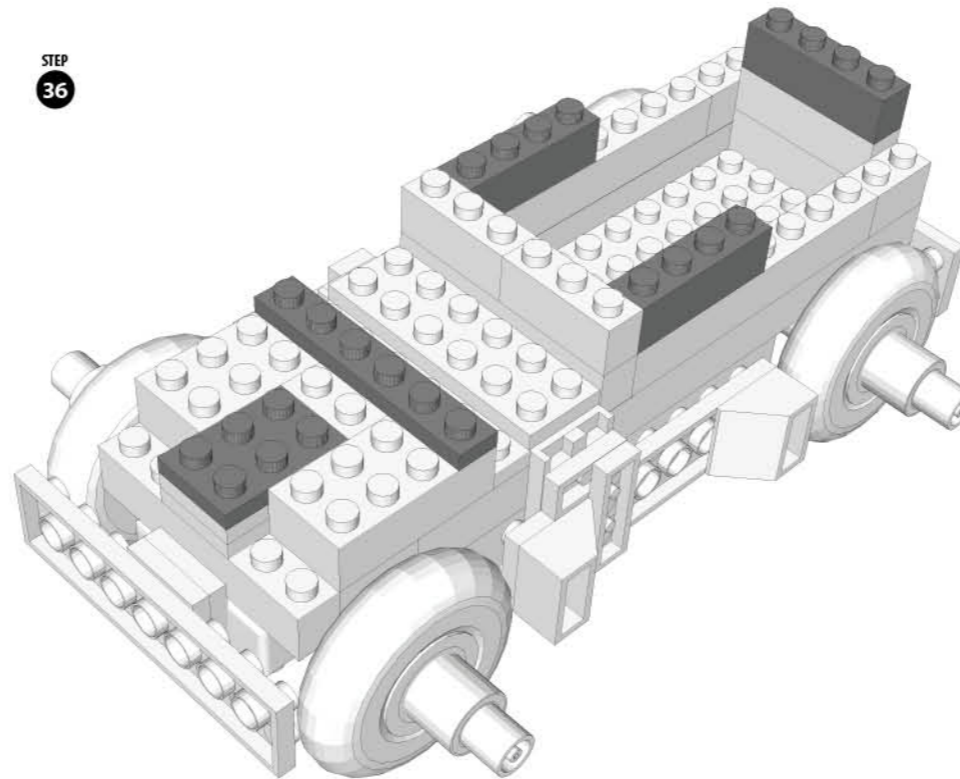
STEP 34



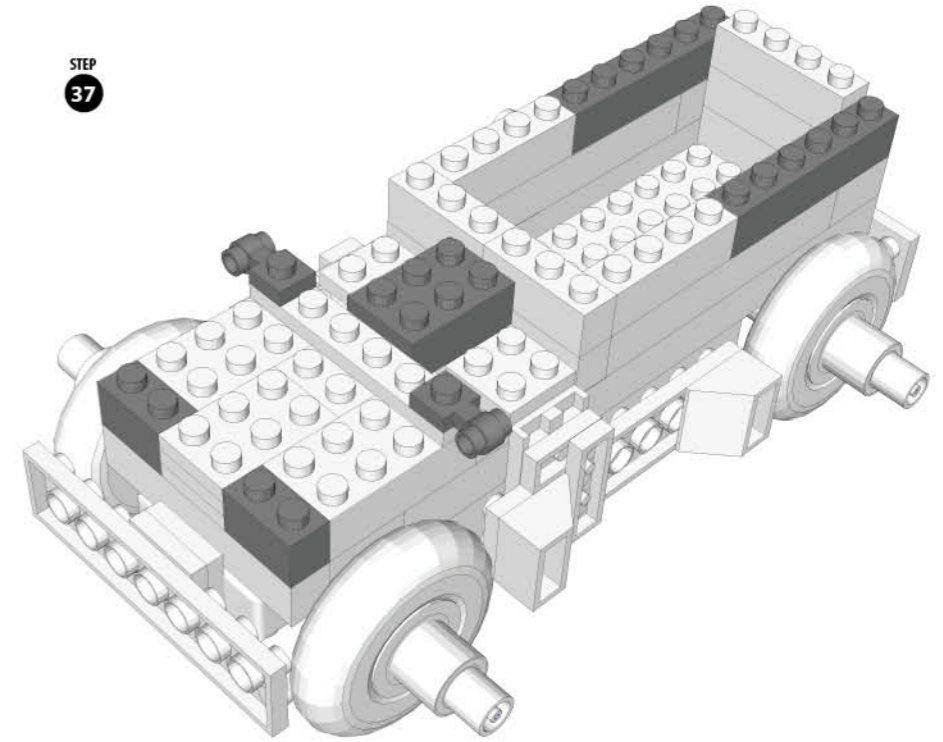
STEP 35



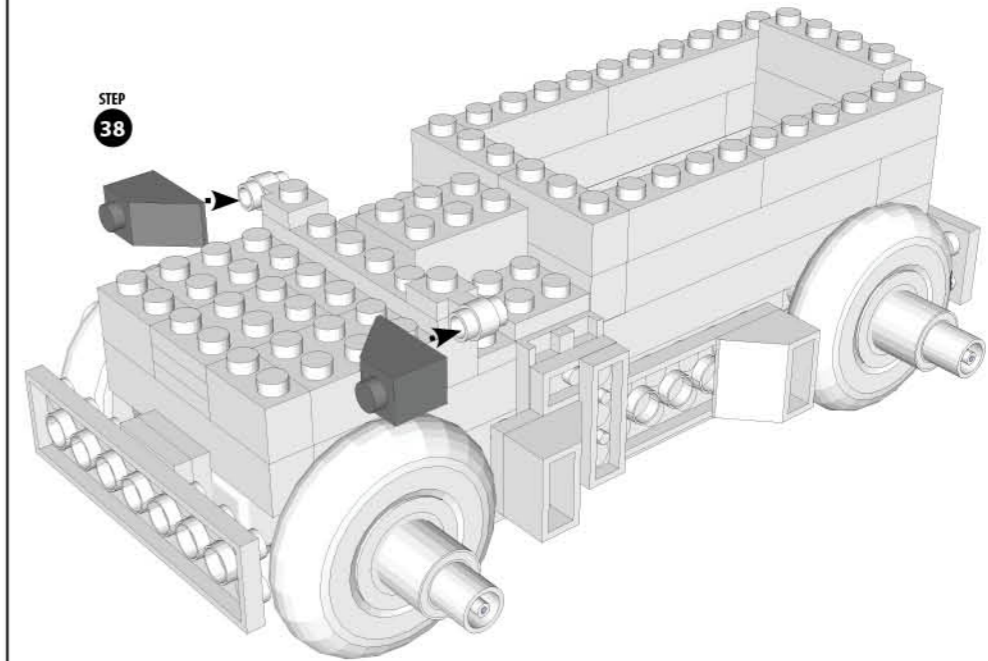
STEP 36



STEP 37



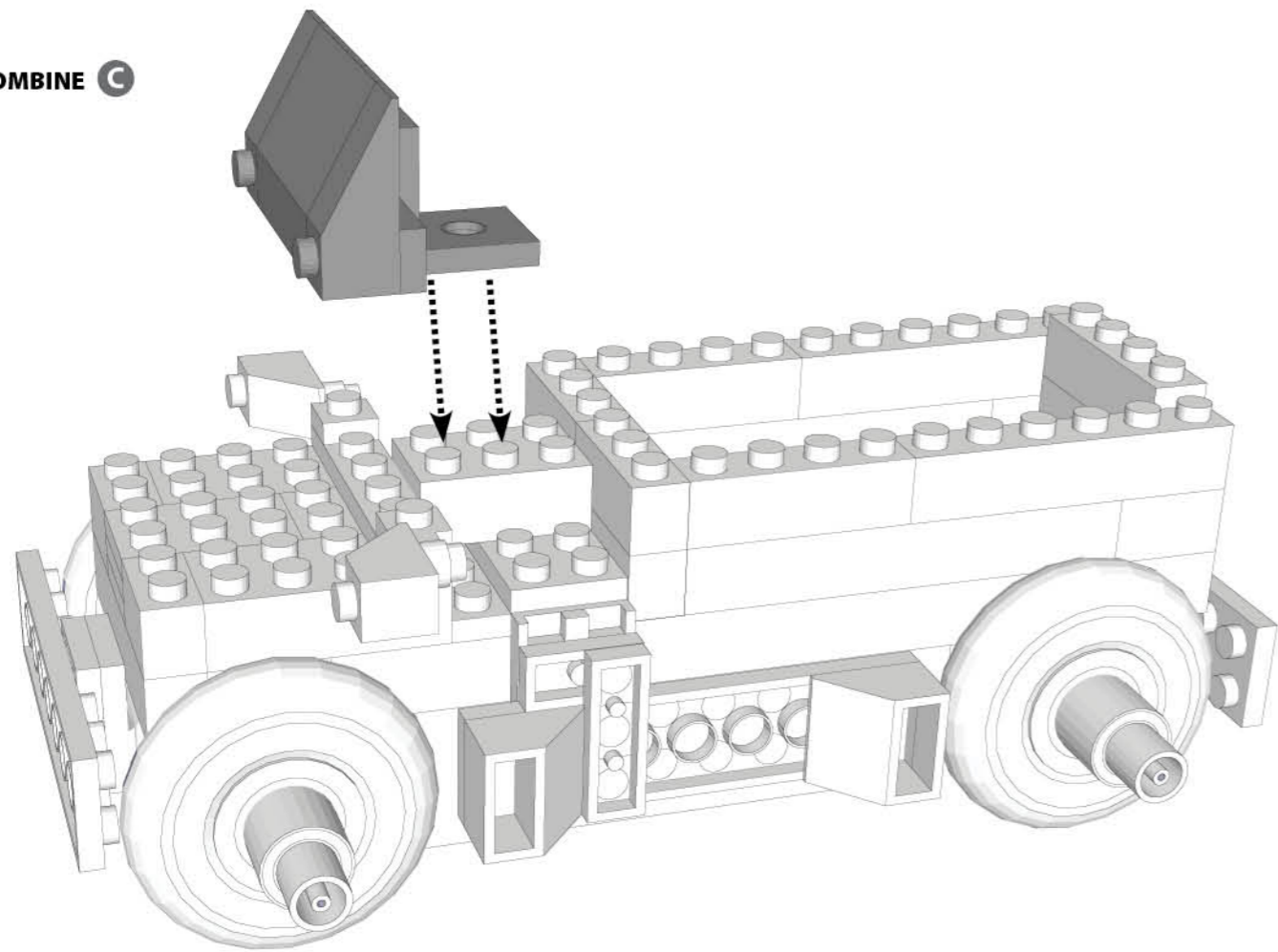
STEP 38



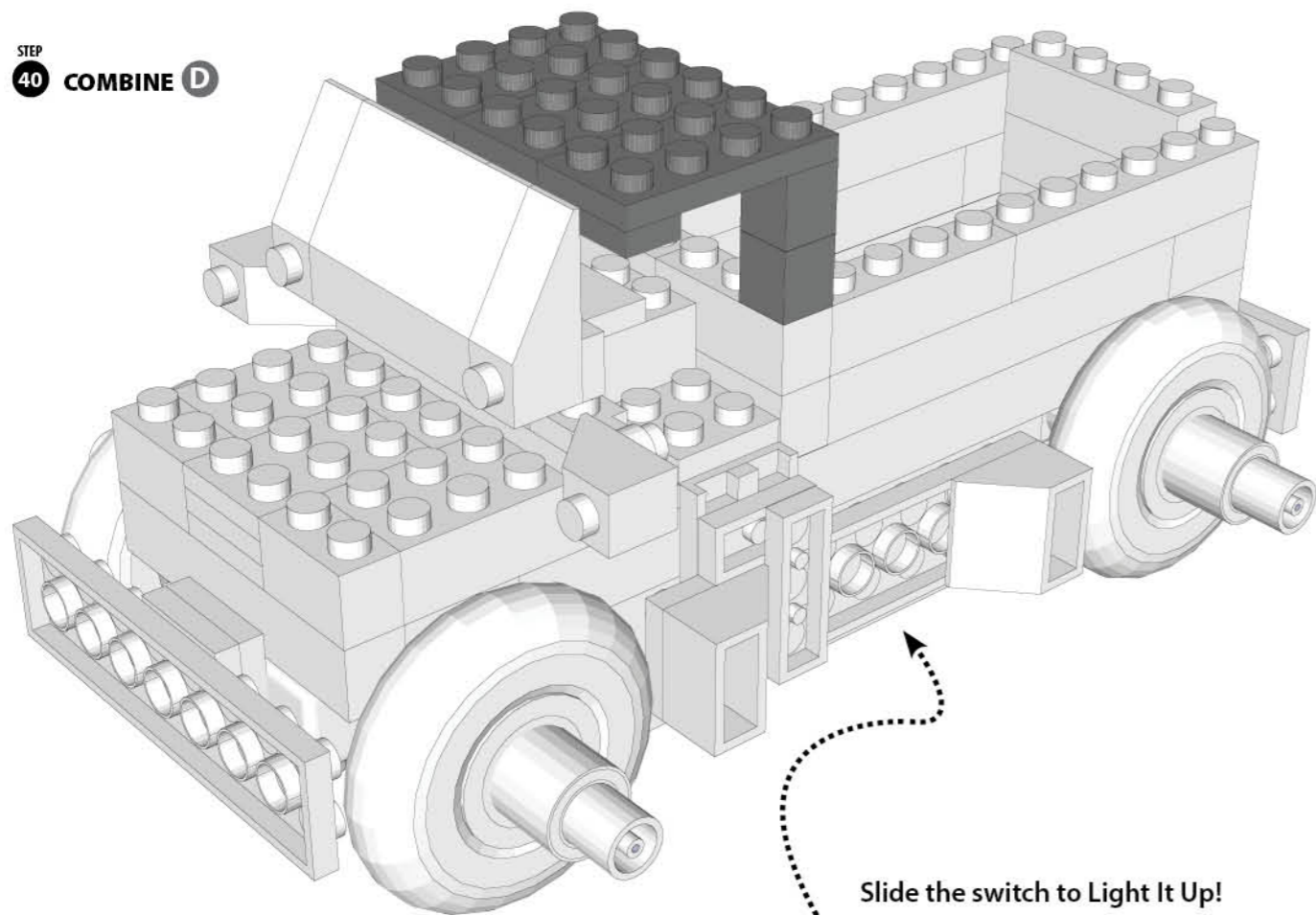
Environmental Phenomena

* The unit may malfunction if subjected to radio-frequency interference. It SHOULD revert to normal operation when the interference stops. If not, it may become necessary to turn the power off and back on, or remove and reinstall the batteries. * In the unlikely event of an electrostatic discharge, the unit may malfunction and lose memory, requiring the user to reset the device by removing and reinstalling the batteries.

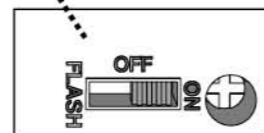
STEP 39 COMBINE C



STEP 40 COMBINE D



Slide the switch to Light It Up!

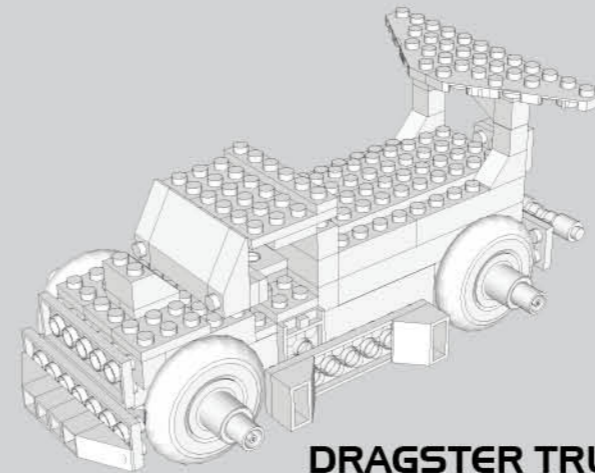


OFF - Turns lights OFF
ON - Turns lights ON
FLASH - Makes lights FLASH

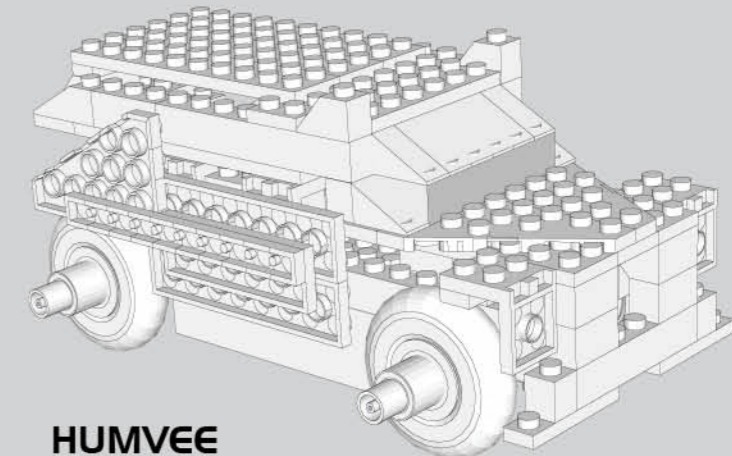
MODEL INSTRUCTIONS

All additional model instructions can be downloaded at www.LaserPegs.com

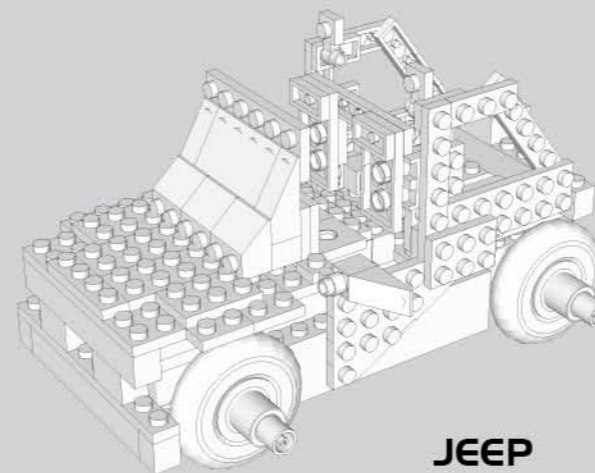
Laser Pegs® CARES
Questions? Comments?
For additional compliance info:
1-866-432-3735
Contact: Support@LaserPegs.com



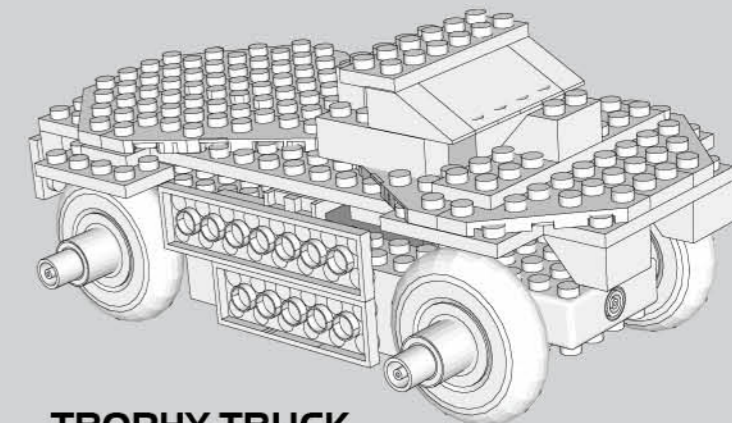
DRAGSTER TRUCK



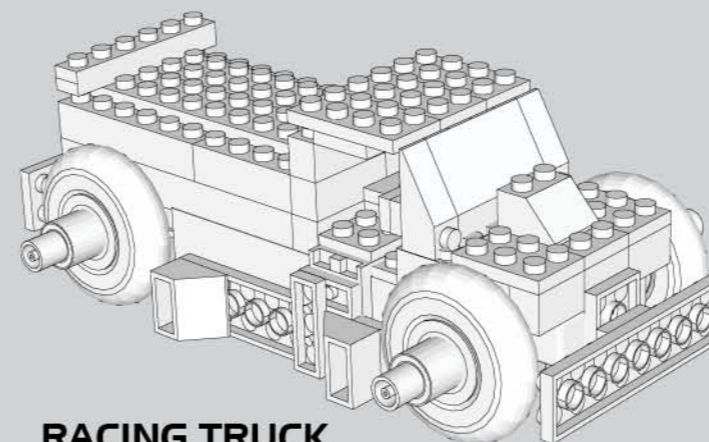
HUMVEE



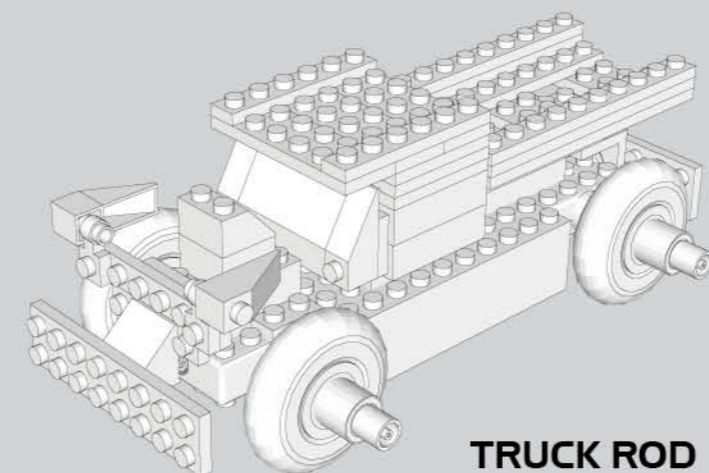
JEEP



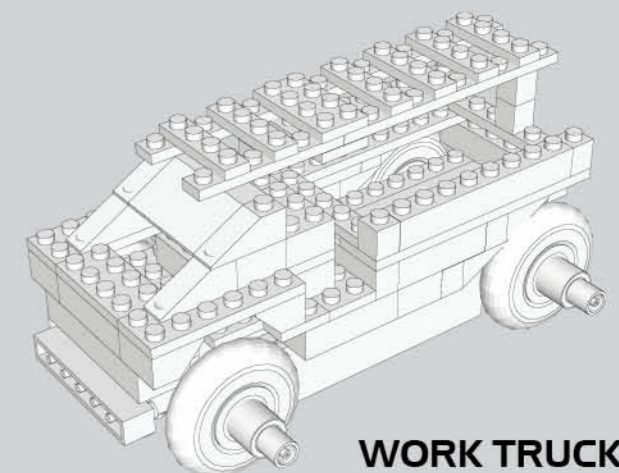
TROPHY TRUCK



RACING TRUCK



TRUCK ROD



WORK TRUCK

MADE IN CHINA

www.LaserPegs.com

Copyright 2014 © All Rights Reserved Global & Multiple Patents Pending.
US Patent #7,731,558

LASER PEGS®

The Ultimate Construction Toy For Kids®

PBI430B

POWER BLOCK

TRUCK Series

Ages 5+

8 Models+
Any creation you can build

LIGHTED
MOBILE POWER BLOCK™ SET
INCLUDES:

- 100 Tinted Bricks
- 4 Tire Pegs
- 2 Square M-M Pegs
- 1 Mobile Power Block™

Requires 3 AAA Batteries

Batteries NOT Included

WARNING: CHOKING HAZARD-Small parts. Not for children under 3 yrs. Do not submerge in water.

DO NOT SUBMERGE IN WATER

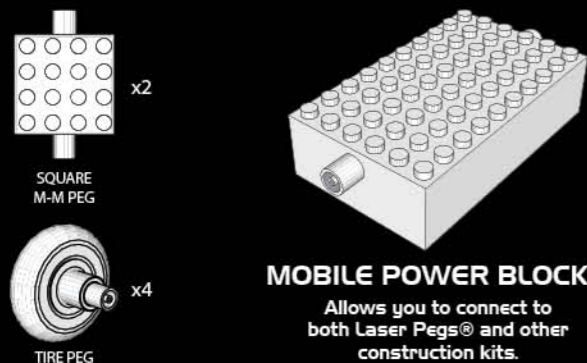
EN71, RoHS COMPLIANT

This product complies to all safety requirements of ASTM F 963

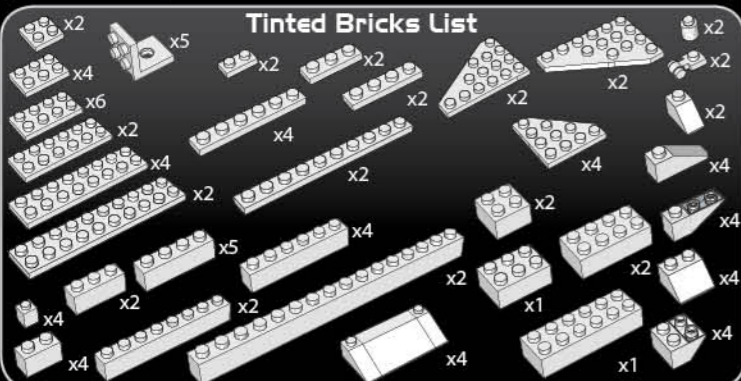
MODEL INSTRUCTIONS

All additional model instructions can be downloaded at www.LaserPegs.com

Laser Pegs® Parts List



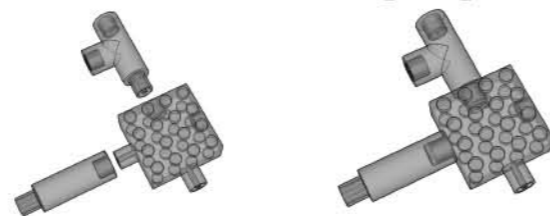
Color Code Each Laser Peg® is color coded on the circuit board inside each shape.



www.LaserPegs.com

This manual is copyright and cannot be reproduced or used online without Laser Pegs® Ventures LLC permission. Copyright 2014 © All Rights Reserved US Patent #7,731,558 Additional Global & Multiple Patents Pending. Laser Pegs® Ventures LLC, 8304 Consumer Ct., Sarasota FL 34240. Contact: Support@LaserPegs.com

Connecting Pegs



To construct with Laser Pegs®, slide two pieces together to form a connection. Slide each piece on and off smoothly.

POWER BLOCK

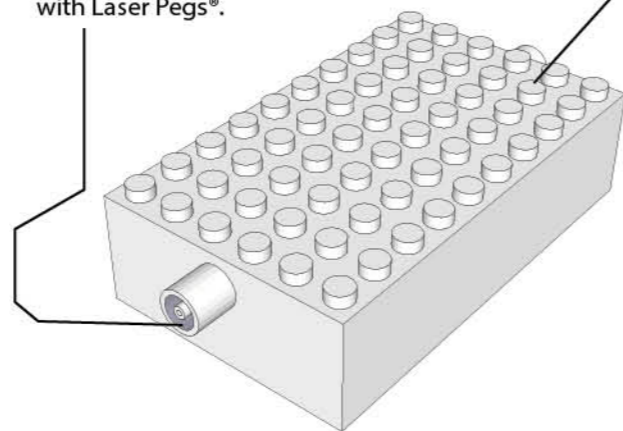
The Power Block is a Power Base that allows you to build with Laser Pegs® and construction parts to build models that light up. It is battery operated. (BATTERIES NOT INCLUDED.)

Laser Pegs® Connections

Allows you to construct with Laser Pegs®.

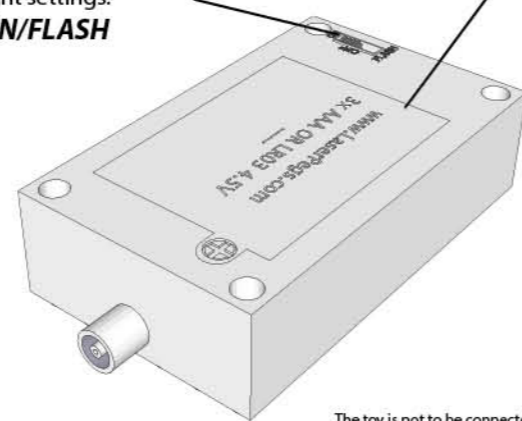
Construction Part Connections

Allows you to connect to other construction kits.



Power Switch

Move the Power Switch to cycle through the Power Block light settings.
OFF/ON/FLASH

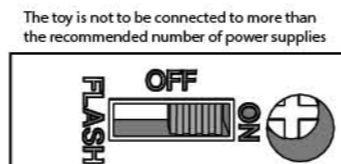


Battery Compartment

Requires 3-AAA Batteries (Batteries Not Included)

LIGHT SETTINGS

OFF - Turns lights OFF
ON - Turns lights ON
FLASH - Makes lights FLASH



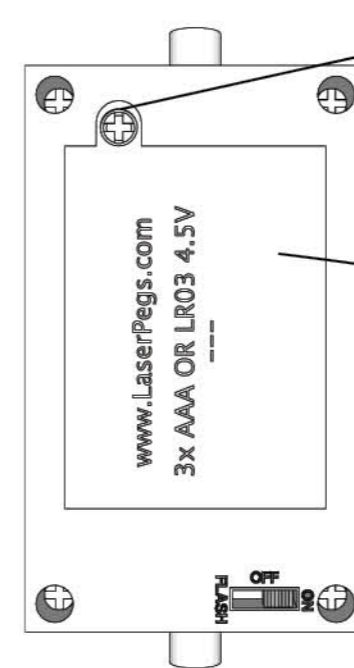
WARNING: STROBE LIGHTS MAY CAUSE SEIZURES

WARNING! Each Laser Peg® draws current from the batteries. Therefore, the more pegs you use, the quicker you will deplete your battery power! As the power weakens, the current will slowly fail and some Laser Pegs® will illuminate (typically the reds and yellows) and some won't. When the Laser Pegs® dim, the Laser Pegs® are not broken, they just need stronger batteries. You have 2 simple options...
1. Change the batteries.
2. Use high quality batteries. They will last a little longer, but they will still deplete rapidly the more Laser Pegs® you connect!

Replacing Batteries

1. Remove Screw.
2. Lift off Battery Compartment Cover.
3. Place three (3) AAA batteries in the correct position - as displayed inside of the Power Block.
4. Replace Battery Compartment Cover and Screw.
5. Slide Power Switch setting to OFF/ON/FLASH.
6. Do not mix old and new batteries.
7. Do not mix alkaline, standard (carbon-zinc), or rechargeable (nickel-cadmium, NiMH) batteries!
8. Exhausted batteries are to be removed from the power base.
9. Never connect more than 30 Laser Pegs® at one time!
10. Non-rechargeable batteries are not to be recharged.
11. Rechargeable batteries are only to be recharged under adult supervision.
12. Rechargeable batteries are to be removed from the toy before being recharged.
13. Batteries are to be inserted with the correct polarity.
14. The supply terminals are not to be short-circuited.
15. DO NOT THROW BATTERIES INTO FIRE!

Remove the Phillips head screw with a 4mm screw driver.
Requires 3-AAA Batteries
Batteries NOT Included



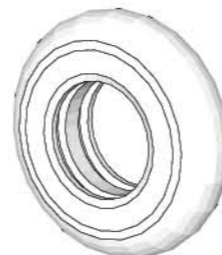
Screw

Battery Compartment Cover

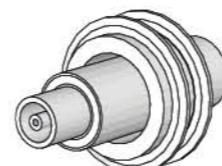
Battery Compartment

Requires 3-AAA Batteries

Connecting the Laser Pegs® Tire to the Axle Peg

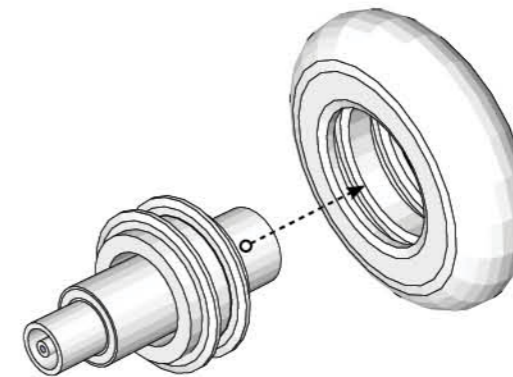


Tire

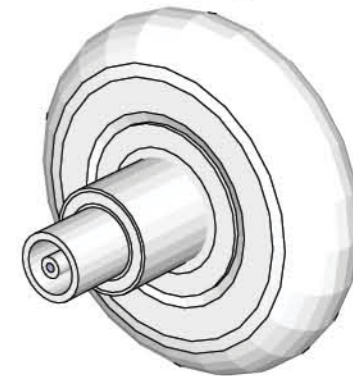


Axle Peg

Place Axle Peg through the Tire



Tire Peg

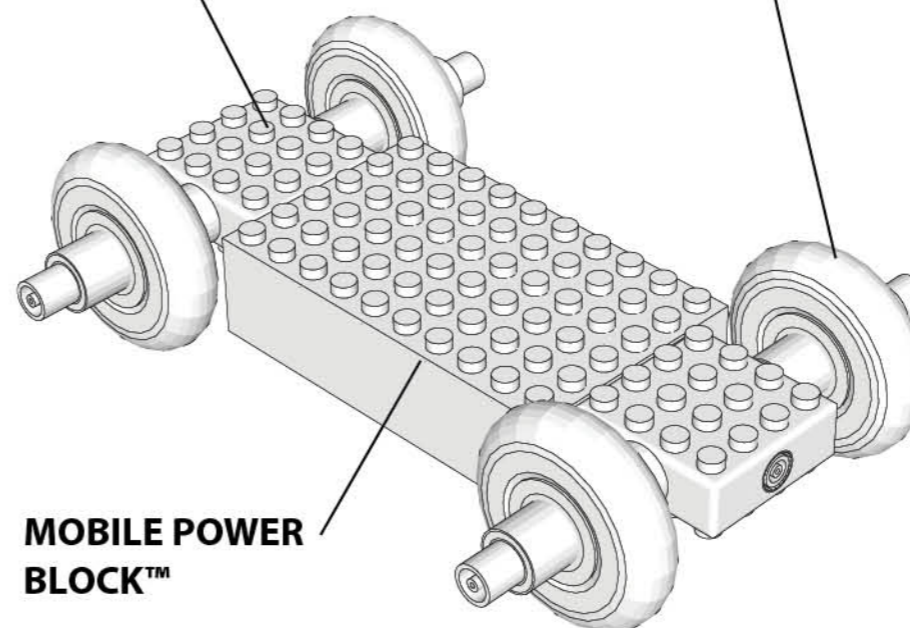


POWER BLOCK™

Use the Laser Pegs® Square M-M Peg to attach the Tire Pegs to the Power Block™.

Laser Pegs® Square M-M Peg

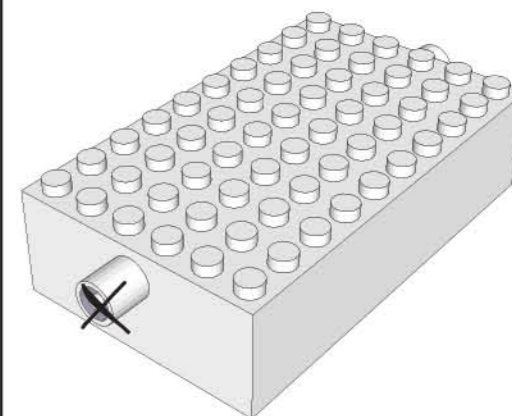
Tire Peg



MOBILE POWER BLOCK™

AVOID DAMAGE TO PEG HOLES

*To avoid short-circuits, keep metal objects and other unauthorized materials from obstructing the peg holes.



Never connect more than 30 Laser Pegs® to the Power Block at one time.

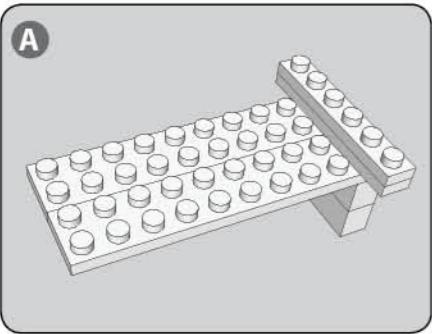
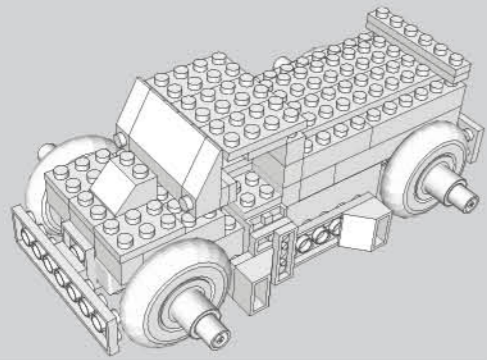
RACING TRUCK: Truck racing is a form of motor racing which involves modified versions of heavy tractor units on racing circuits.



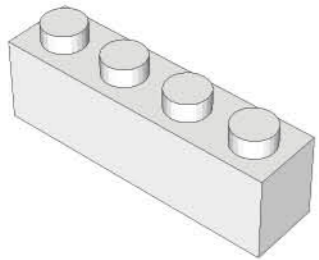
RACING TRUCK

Model
Difficulty
Level

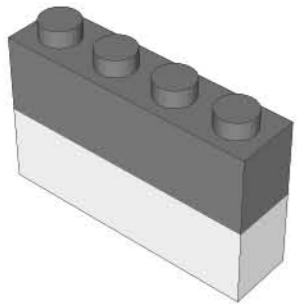
4



STEP 1



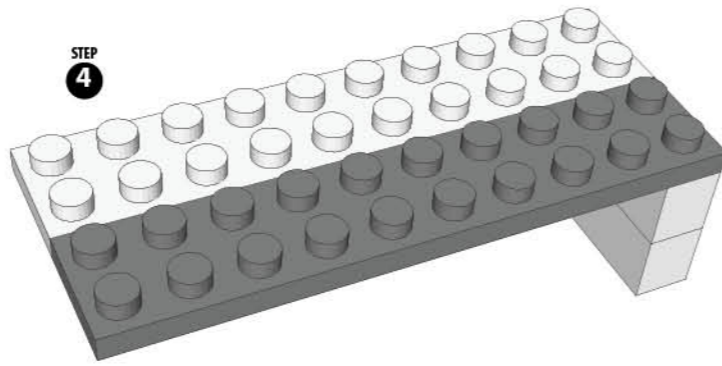
STEP 2



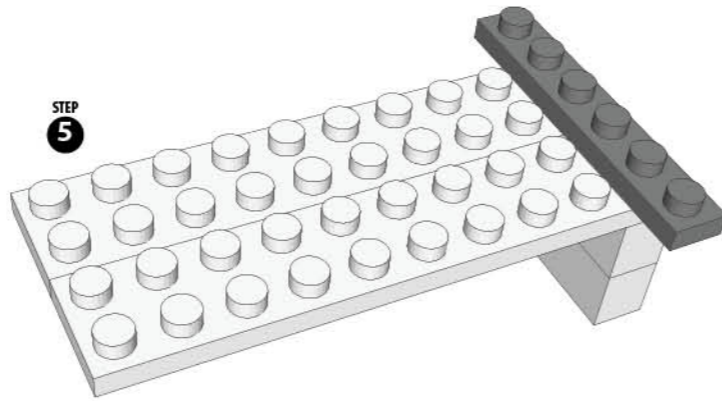
STEP 3



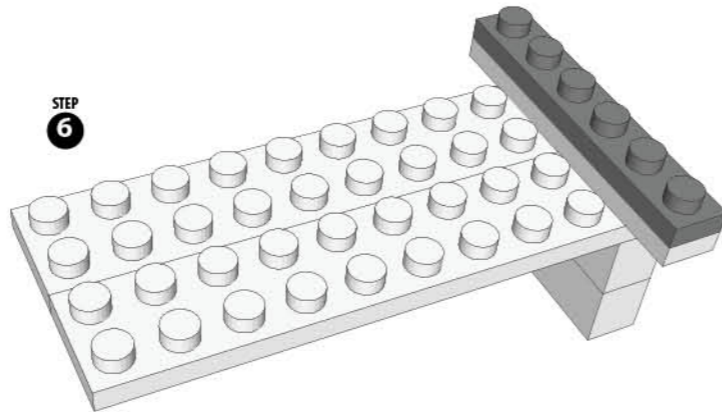
STEP 4



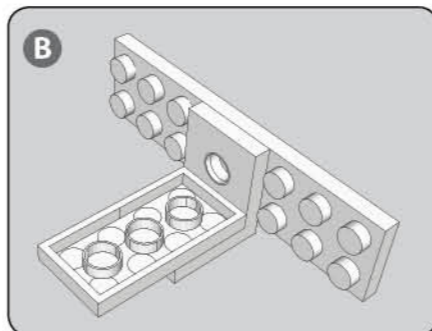
STEP 5



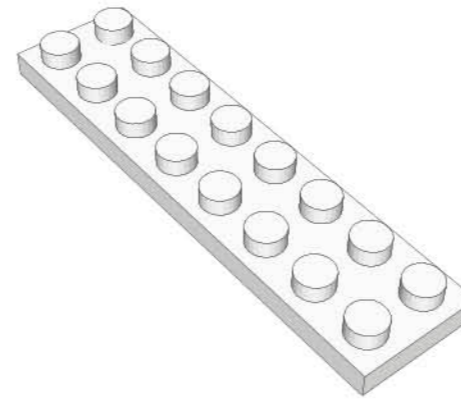
STEP 6



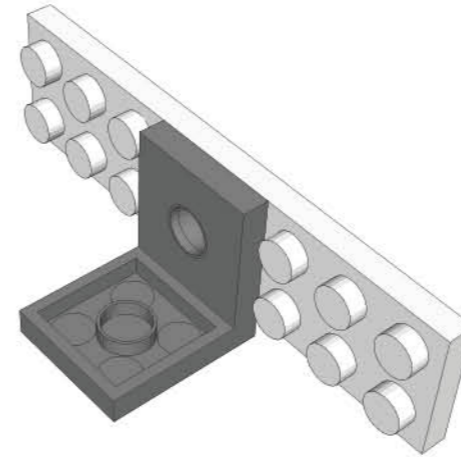
B



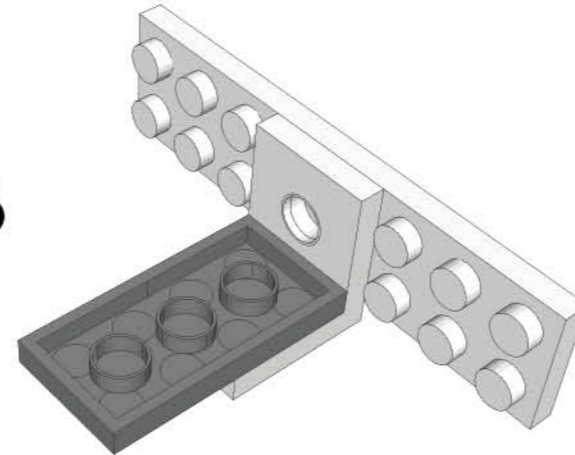
STEP 7



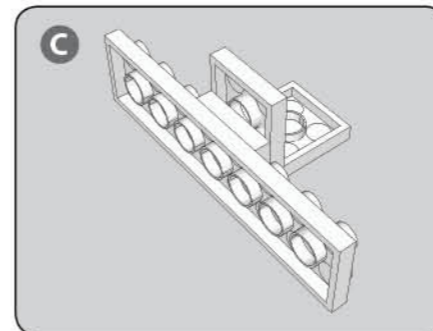
STEP 8



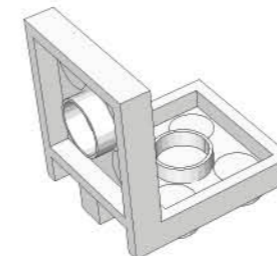
STEP 9



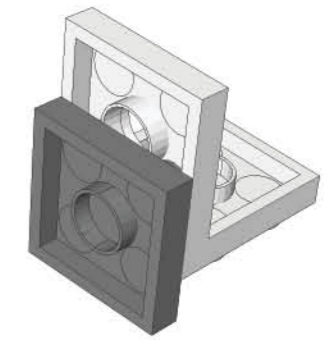
C



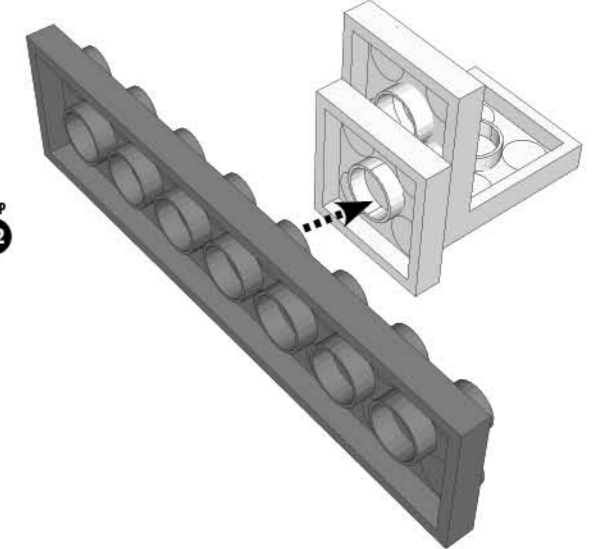
STEP 10



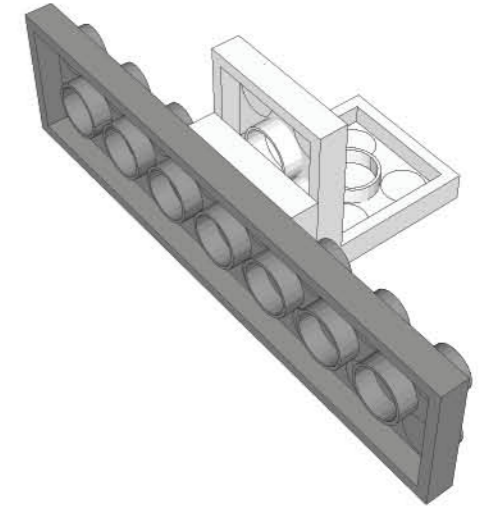
STEP 11



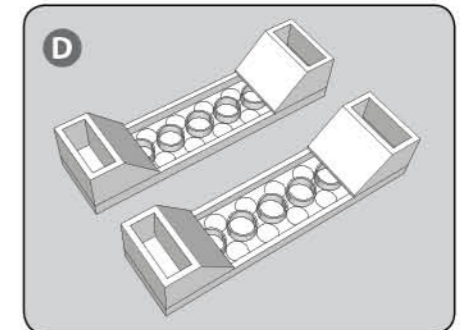
STEP 12



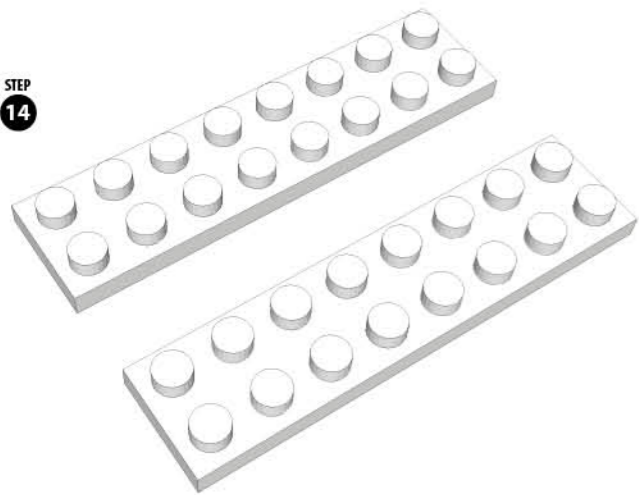
STEP 13



D



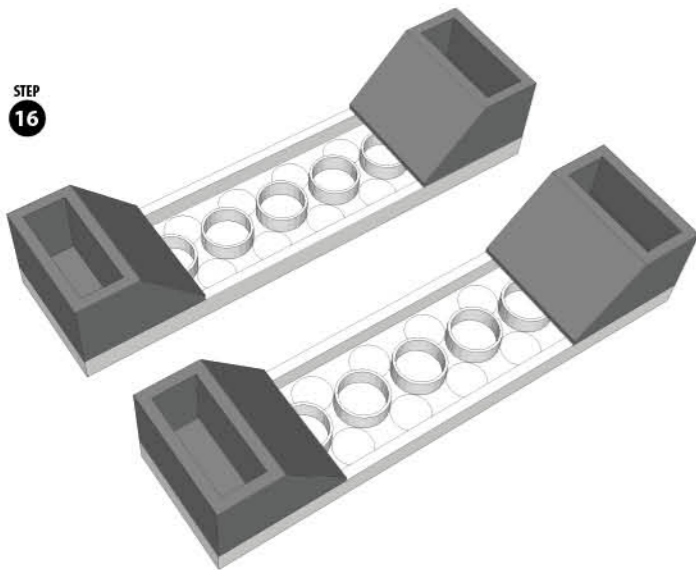
STEP 14



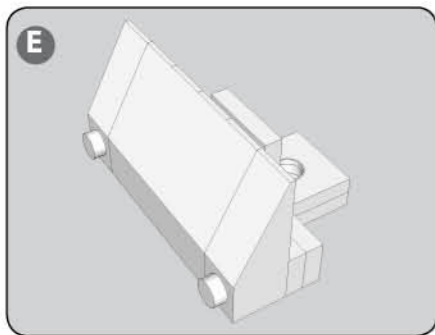
STEP 15



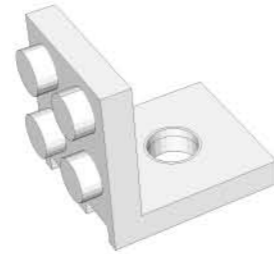
STEP 16



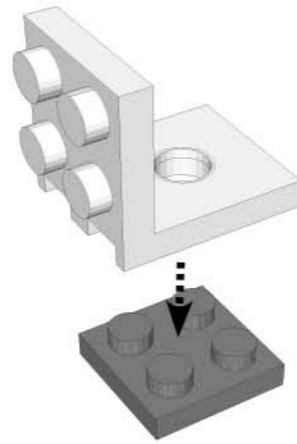
E



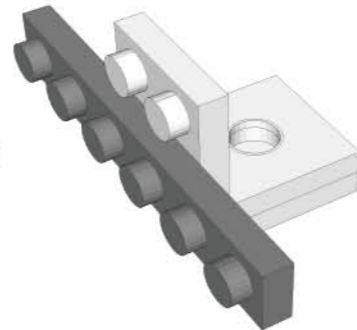
STEP 17



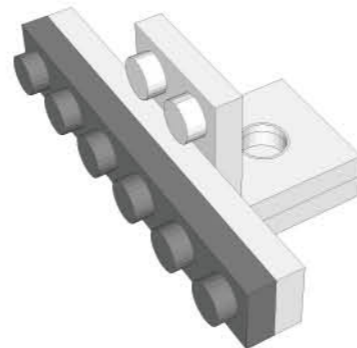
STEP 18



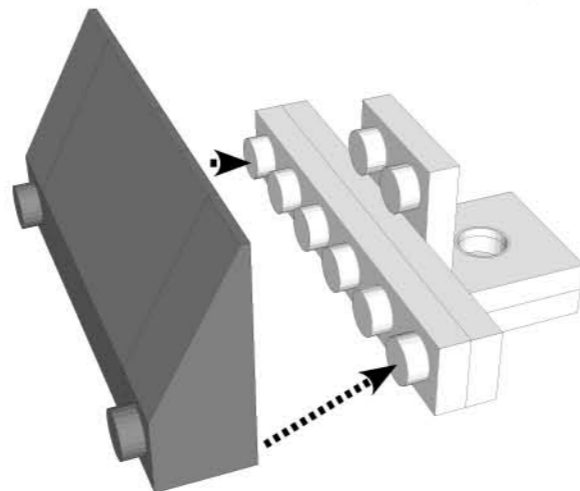
STEP 19



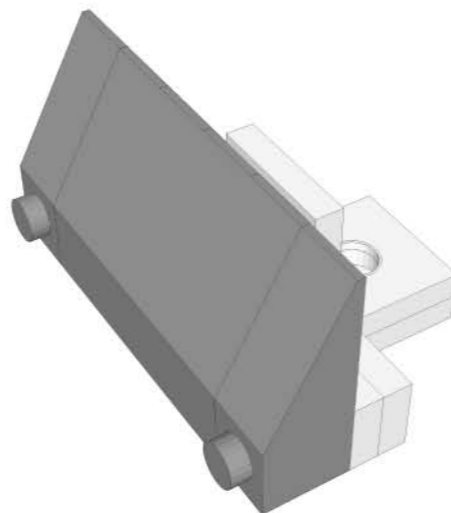
STEP 20



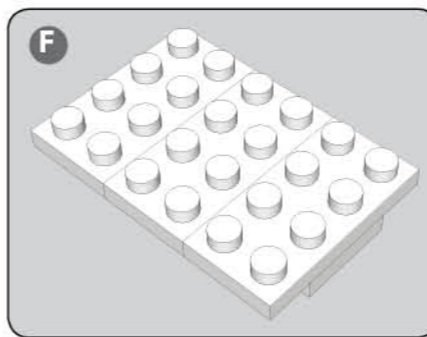
STEP 21



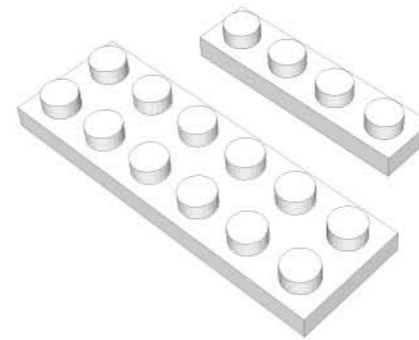
STEP 22



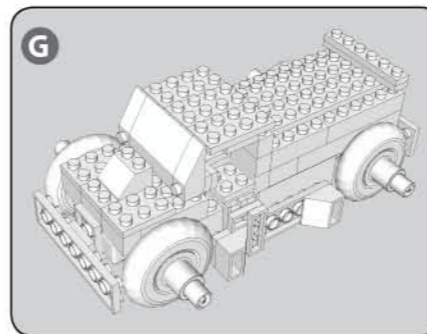
F



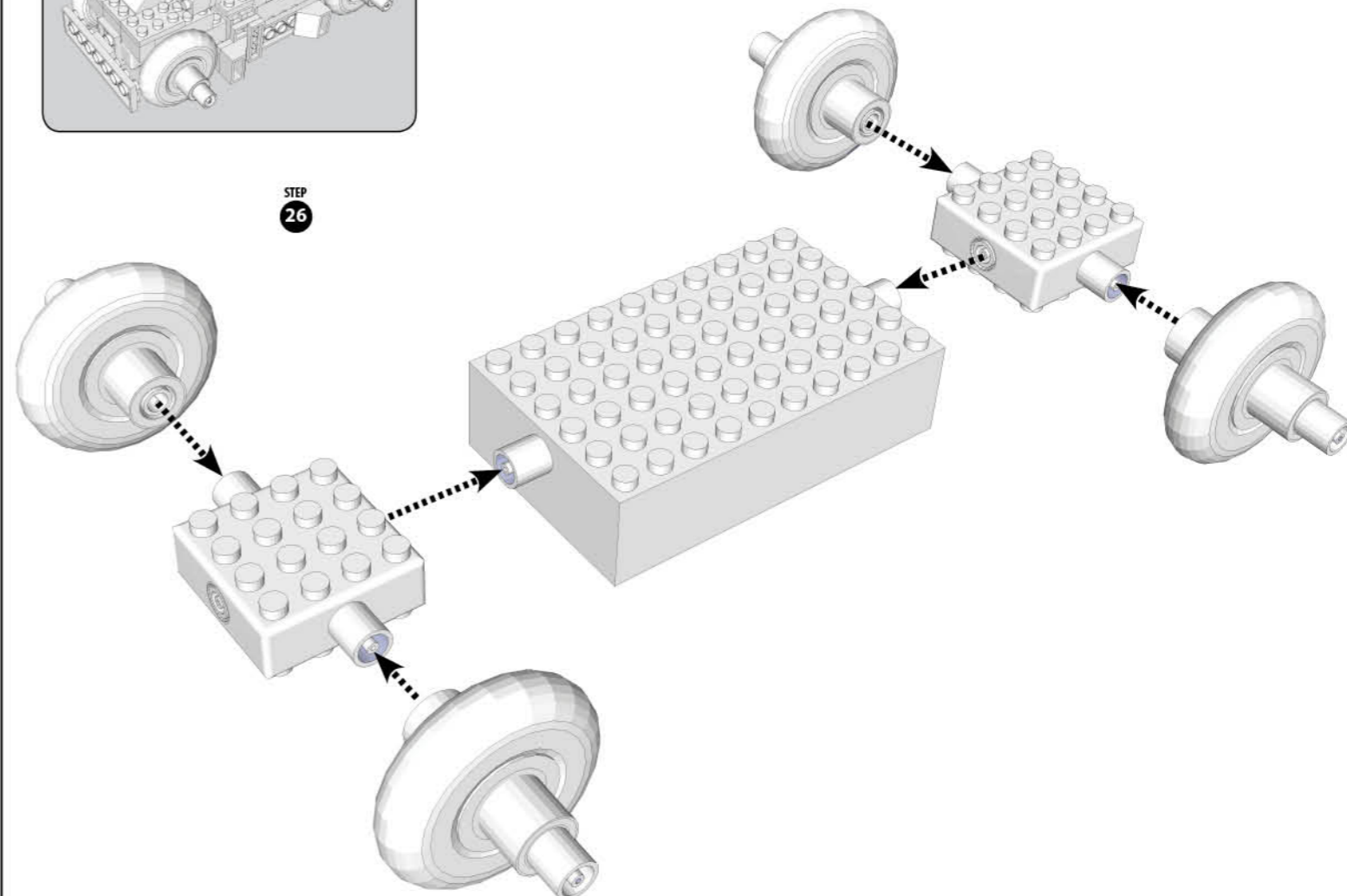
STEP 23



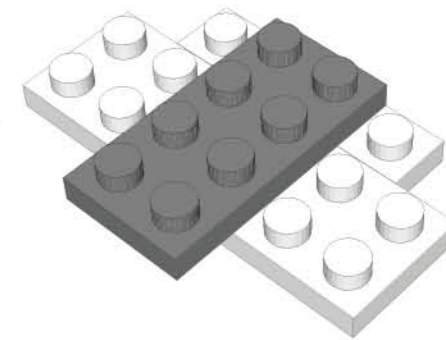
G



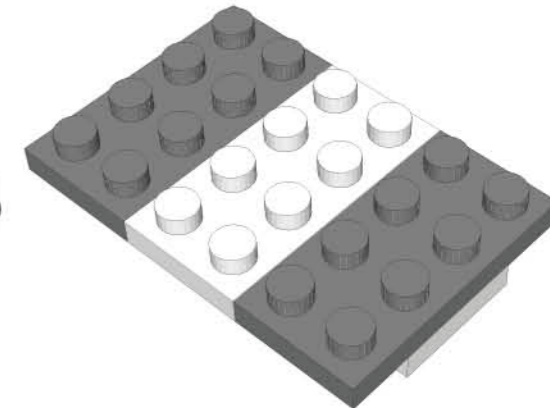
STEP 26



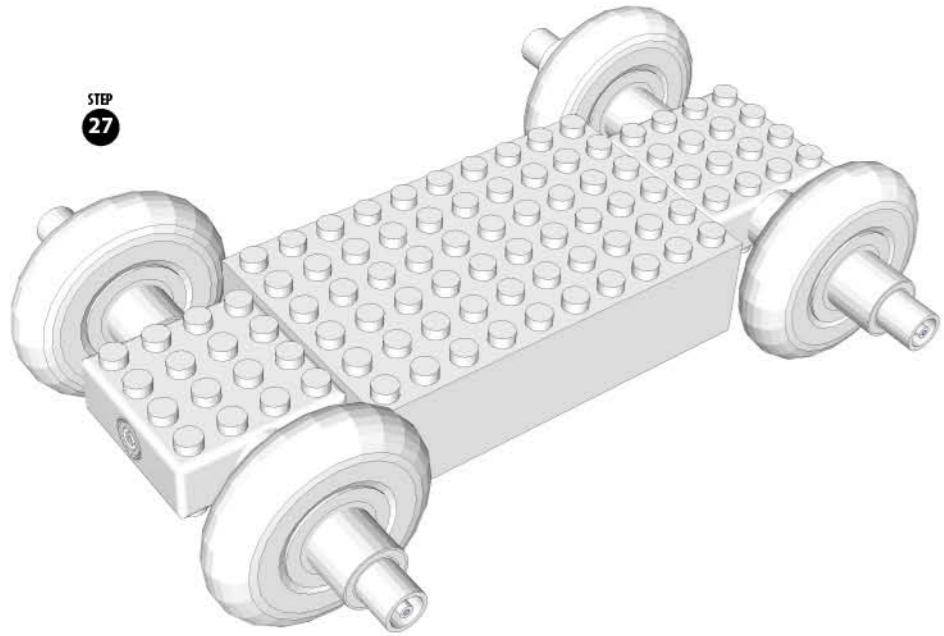
STEP 24



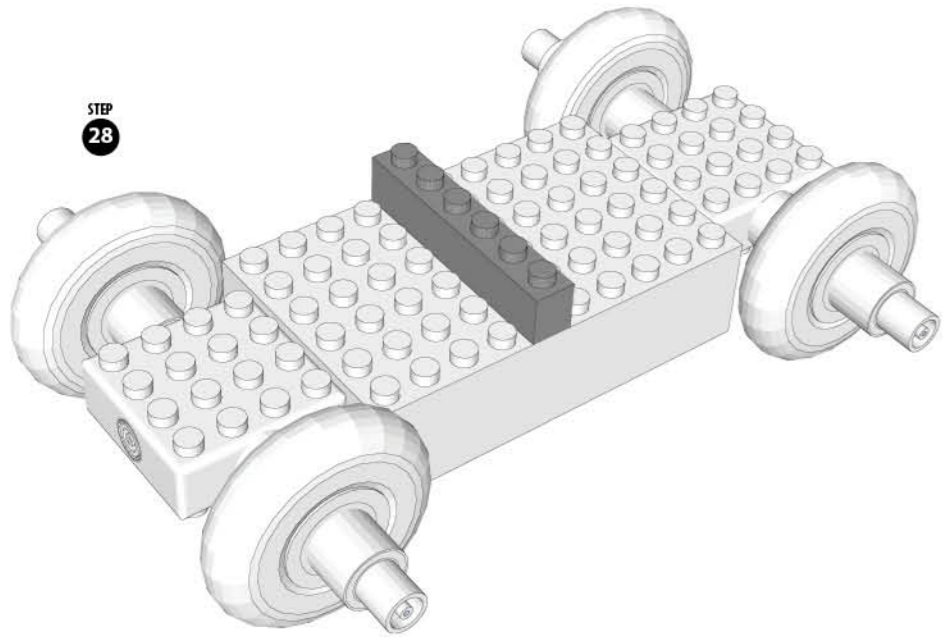
STEP 25



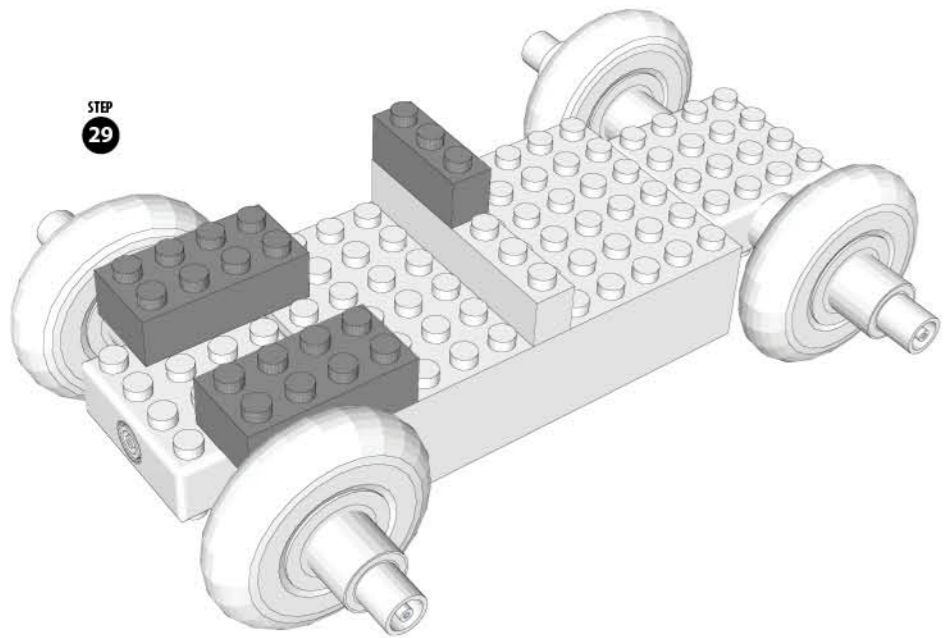
STEP 27



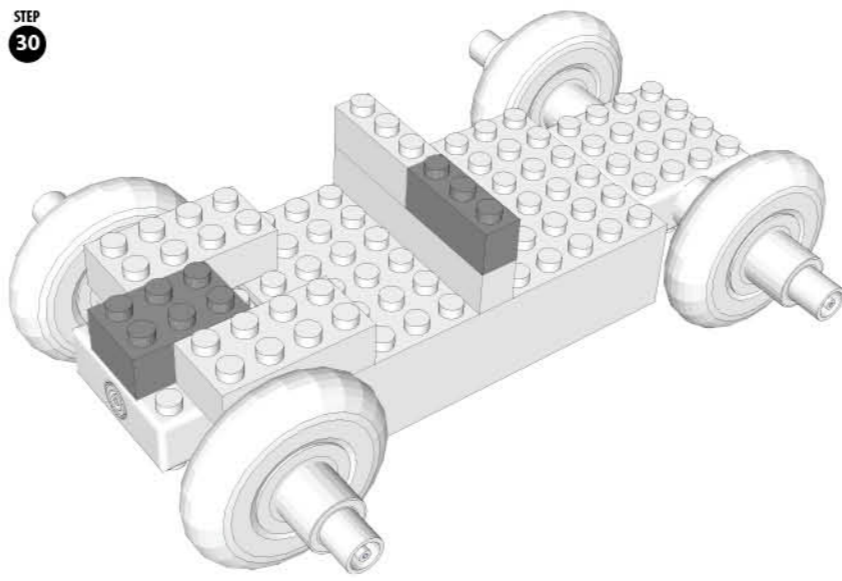
STEP 28



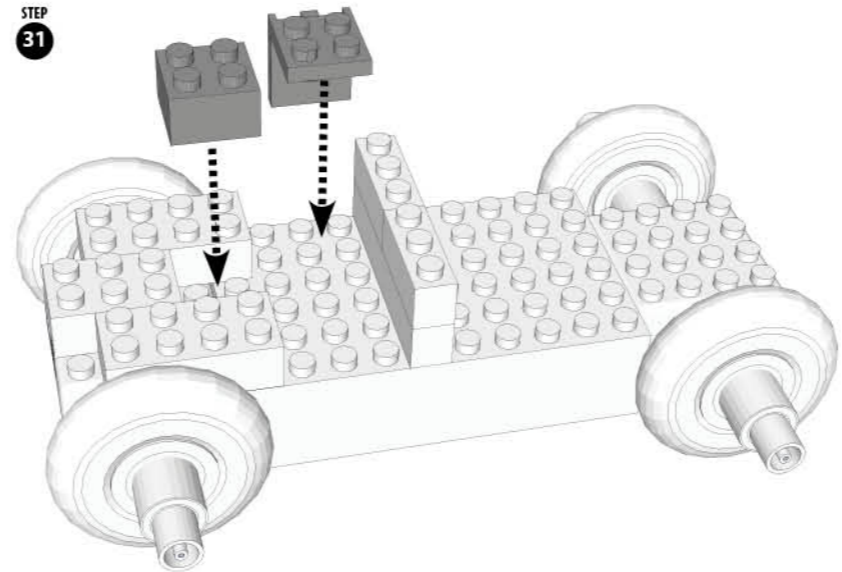
STEP 29



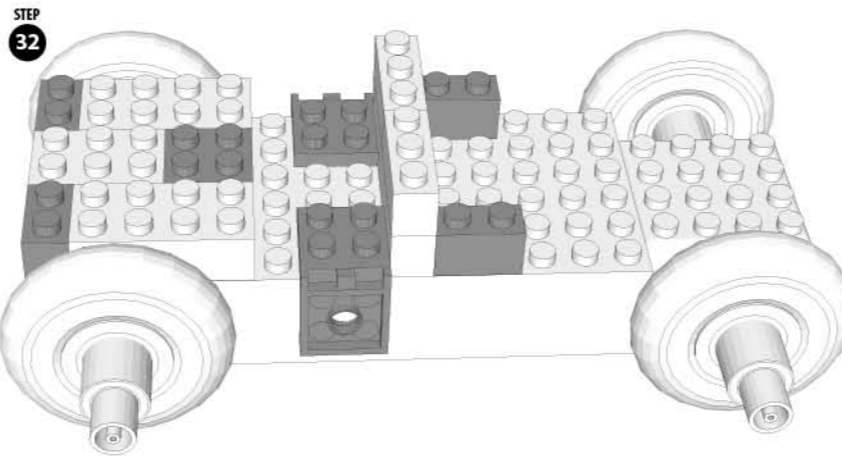
STEP 30



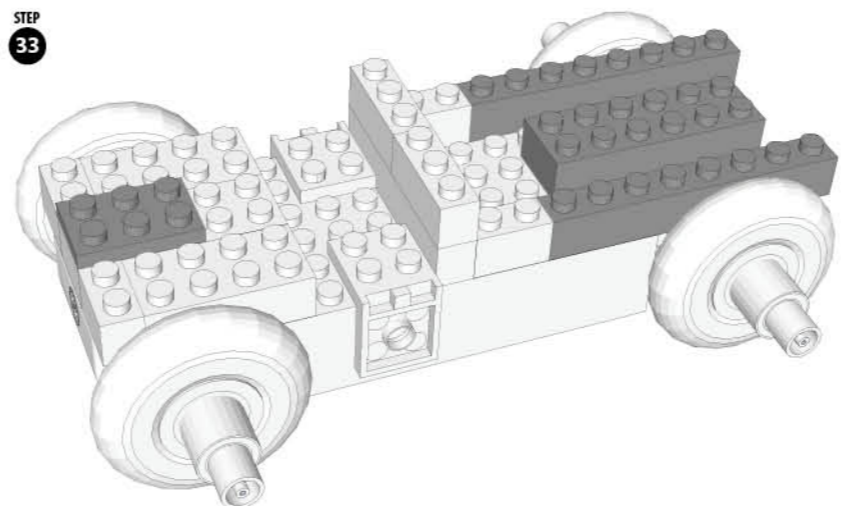
STEP 31



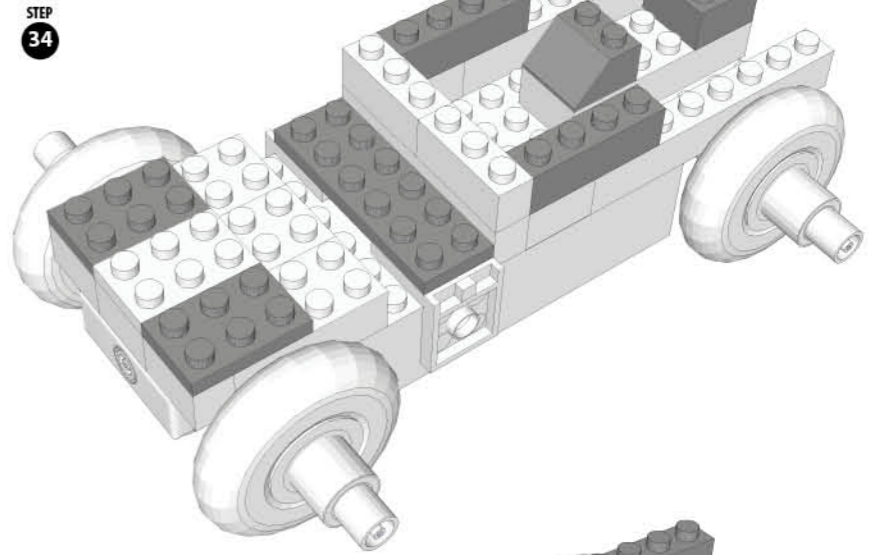
STEP 32



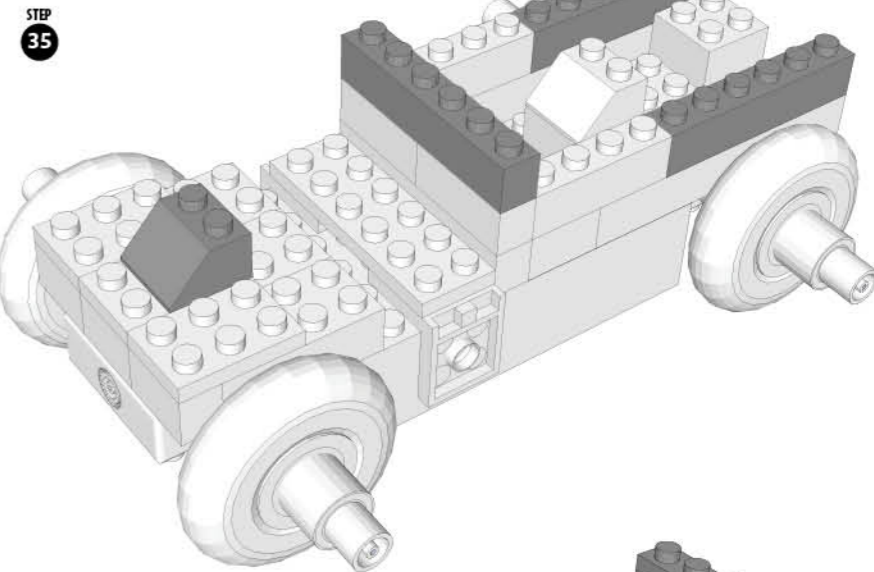
STEP 33



STEP 34

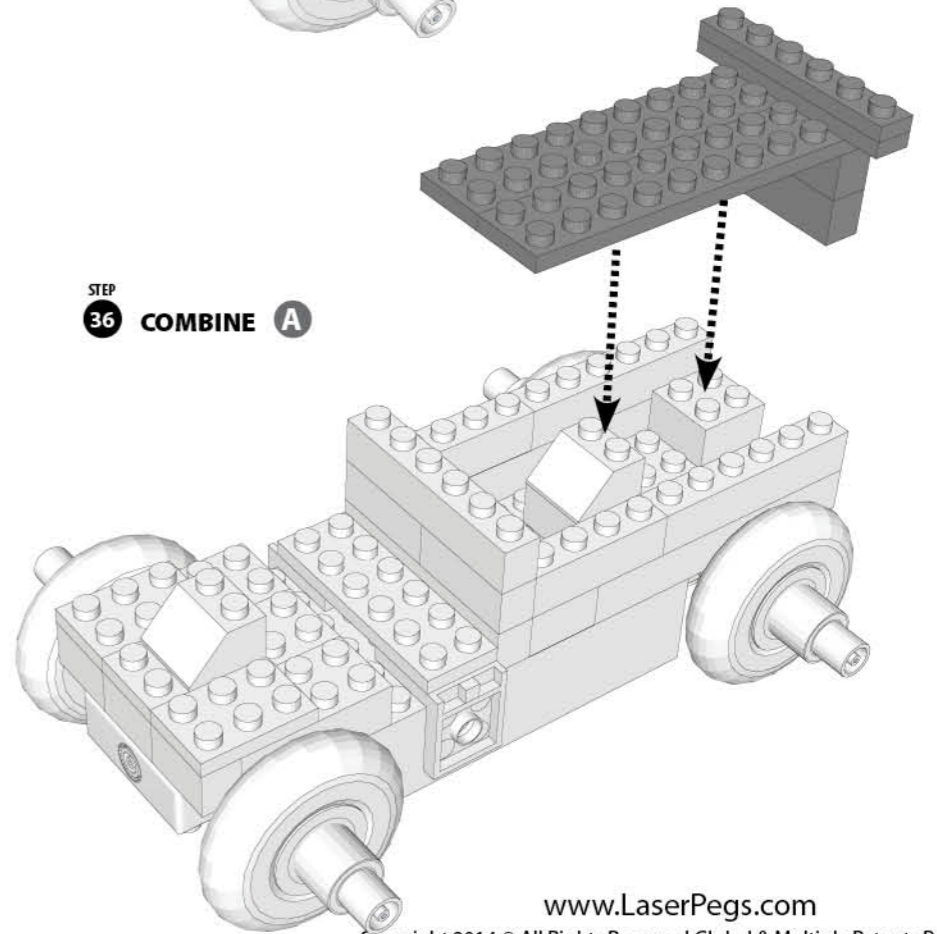


STEP 35

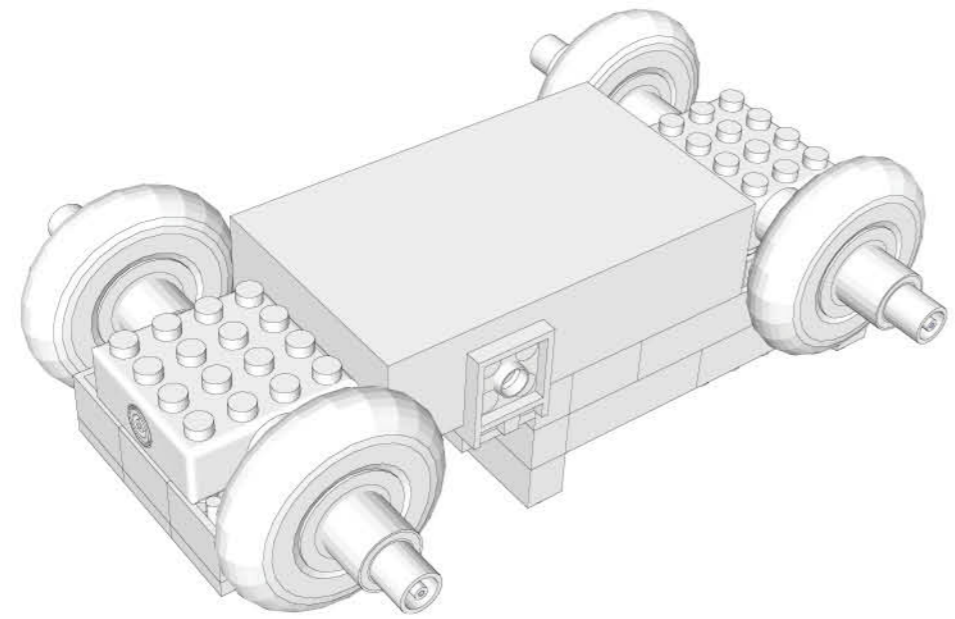


STEP 36

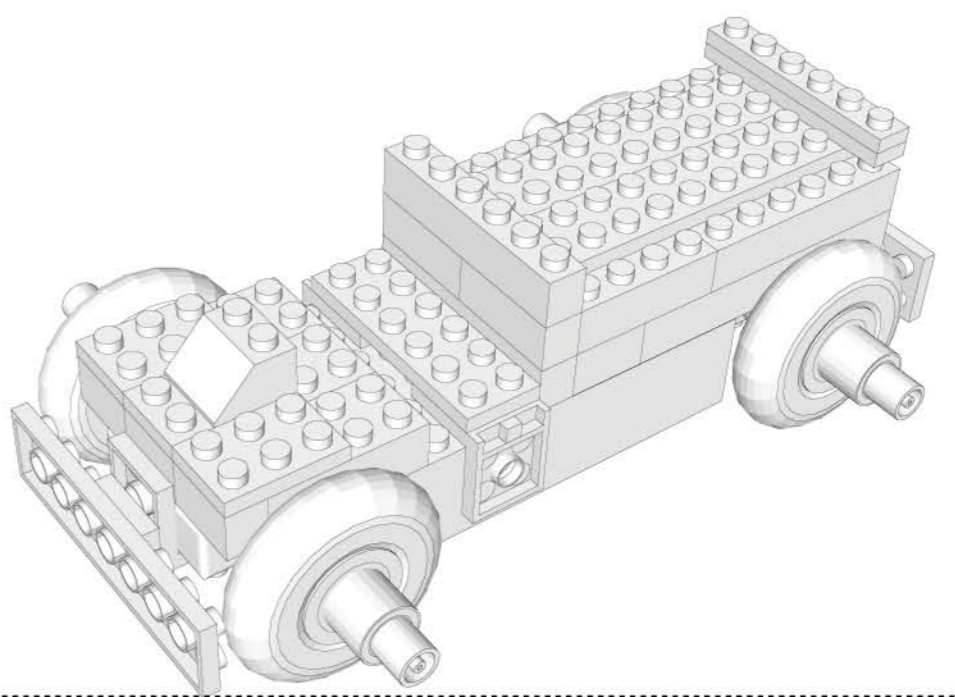
COMBINE A



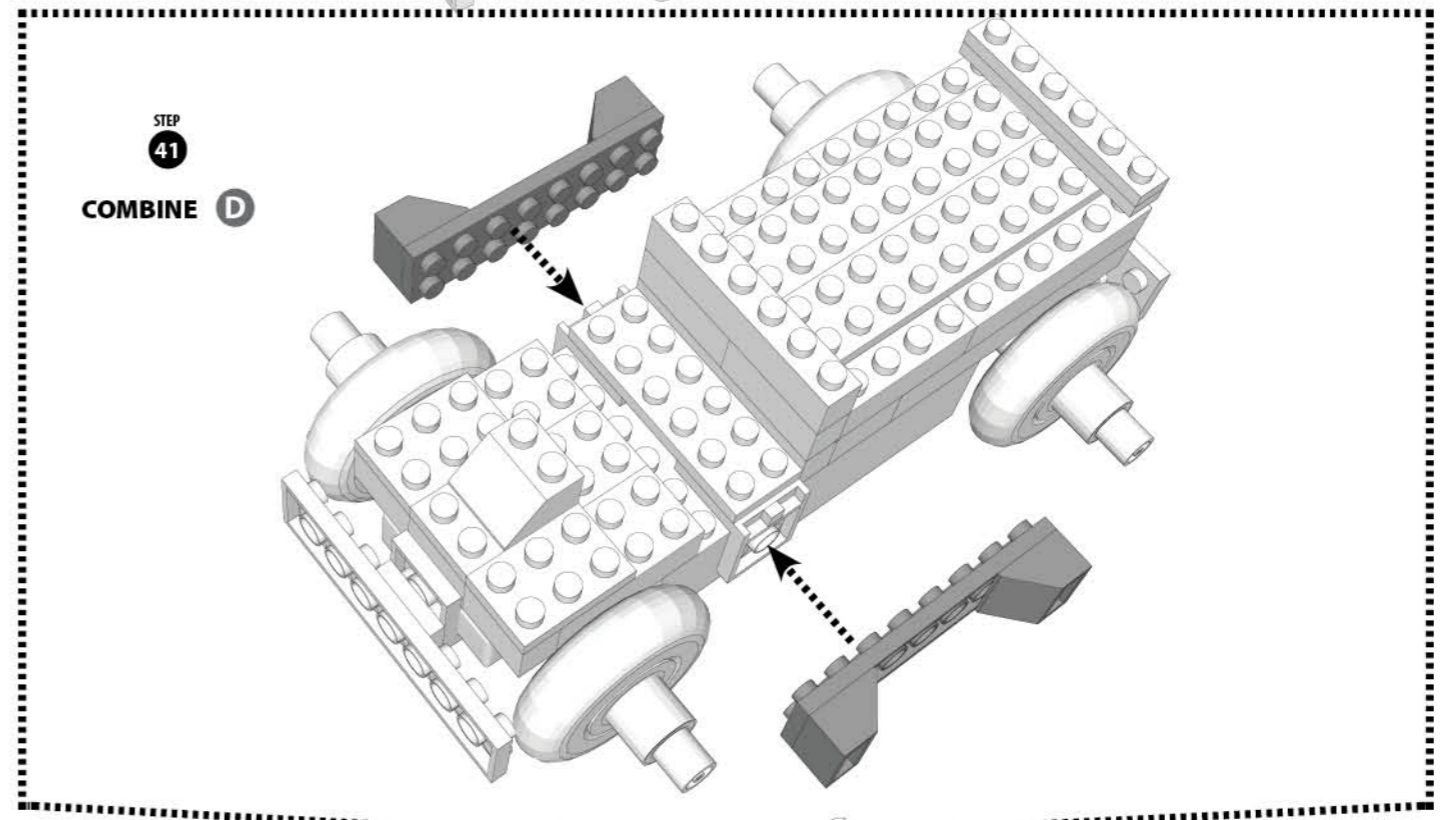
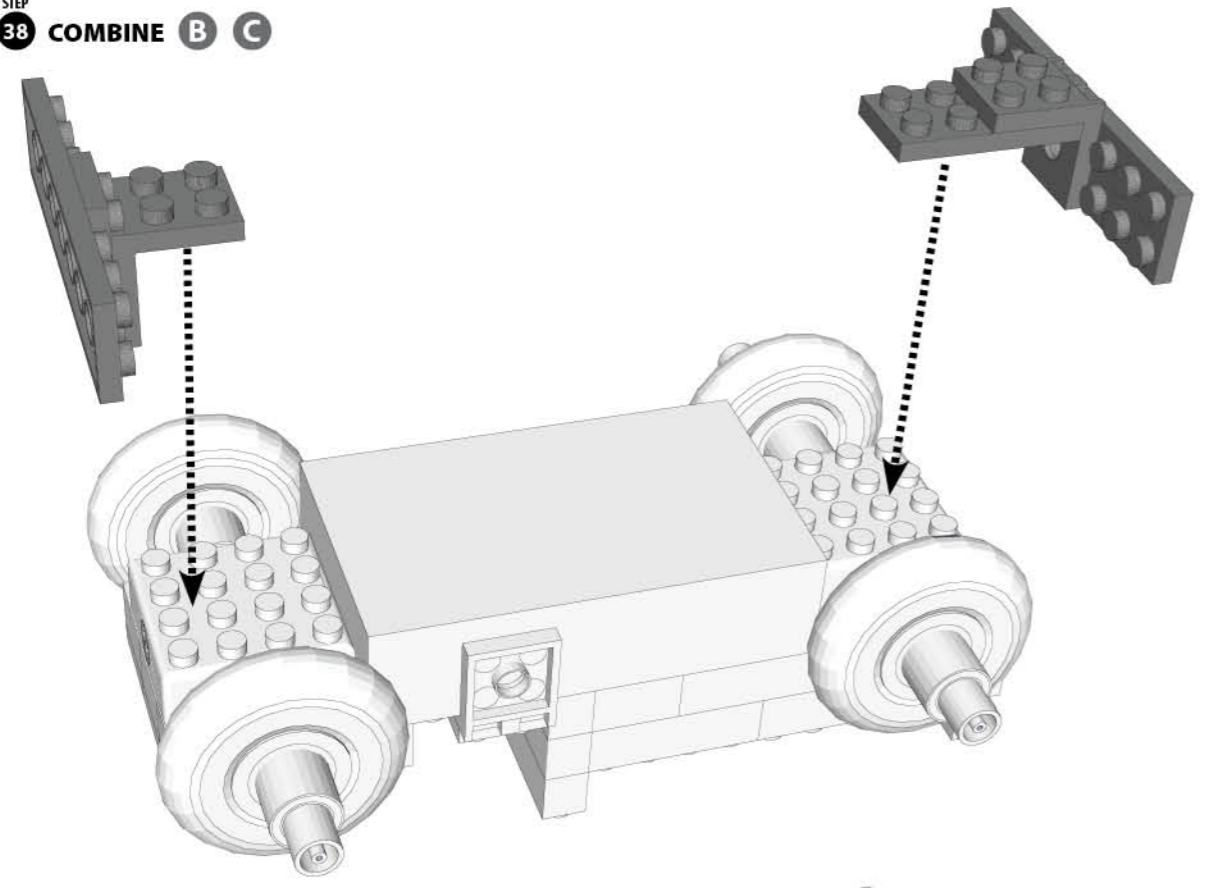
STEP 37
FLIP



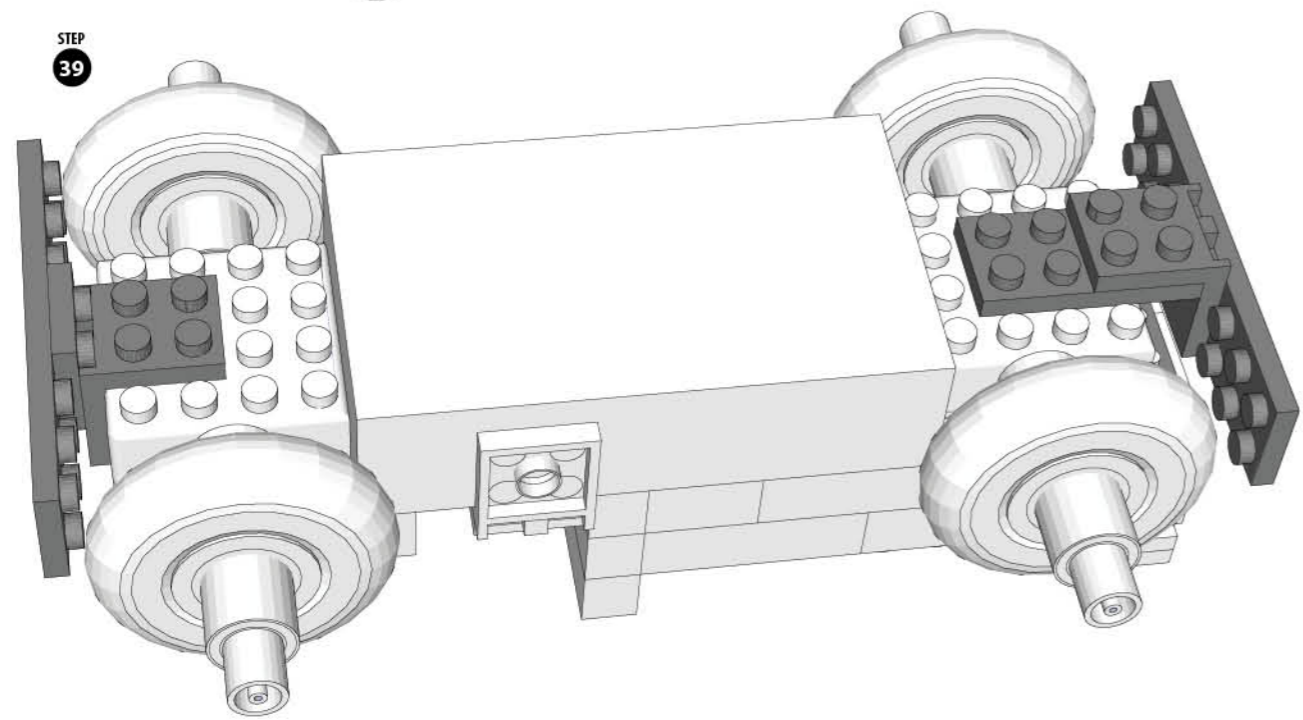
STEP 40
FLIP



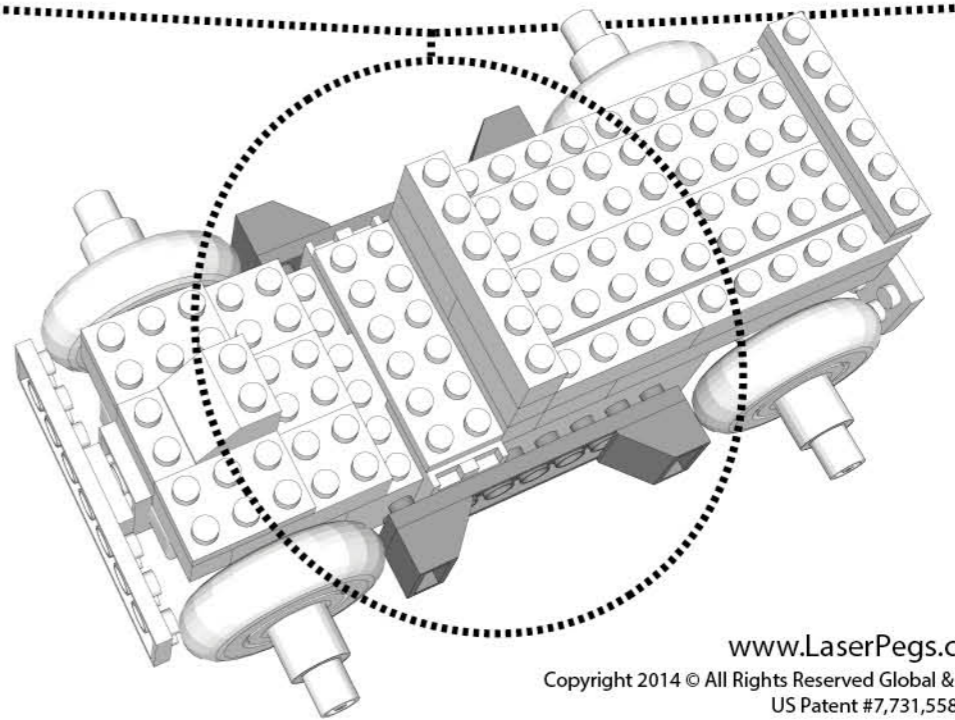
STEP 38 COMBINE B C



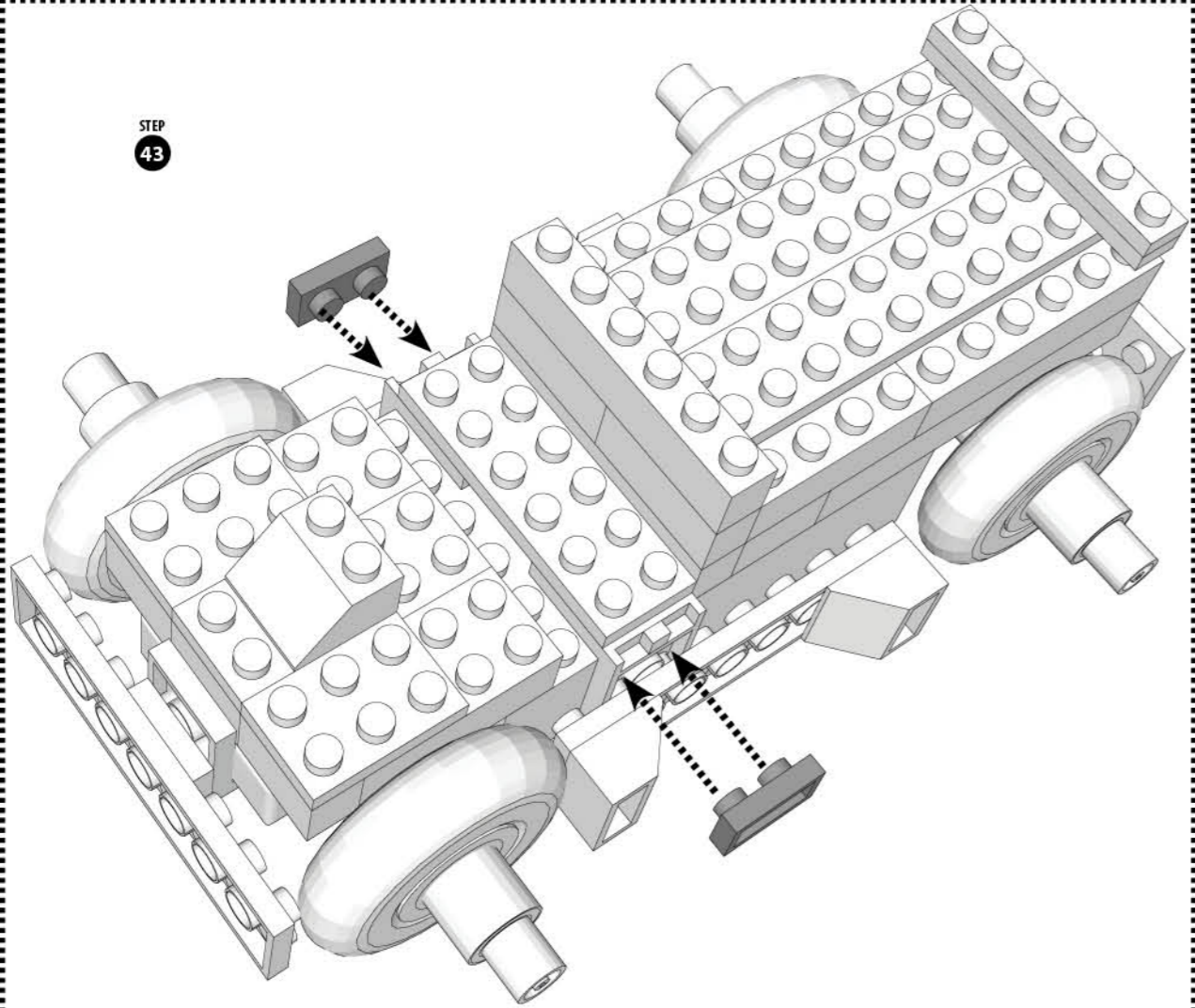
STEP 39



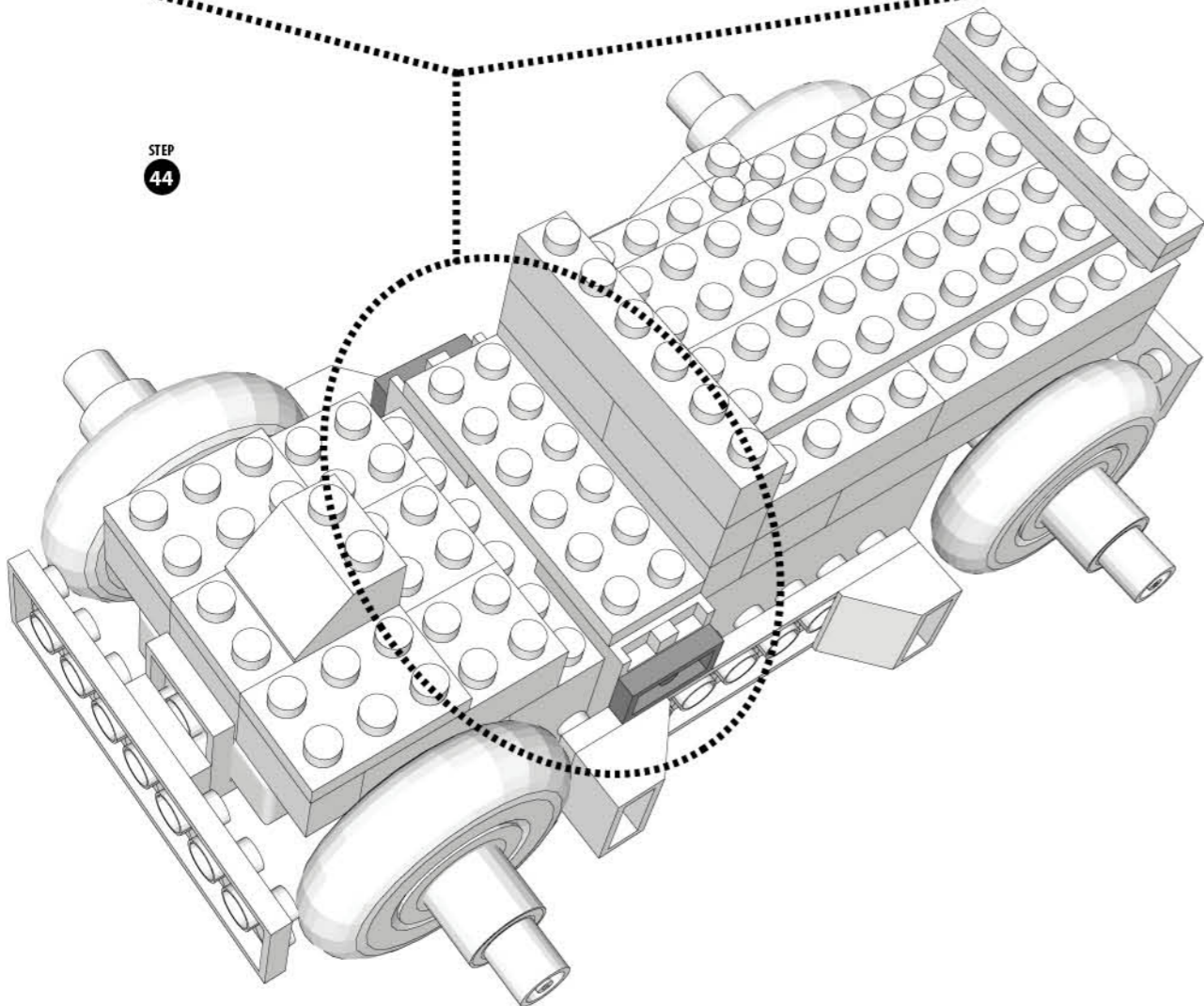
STEP 42



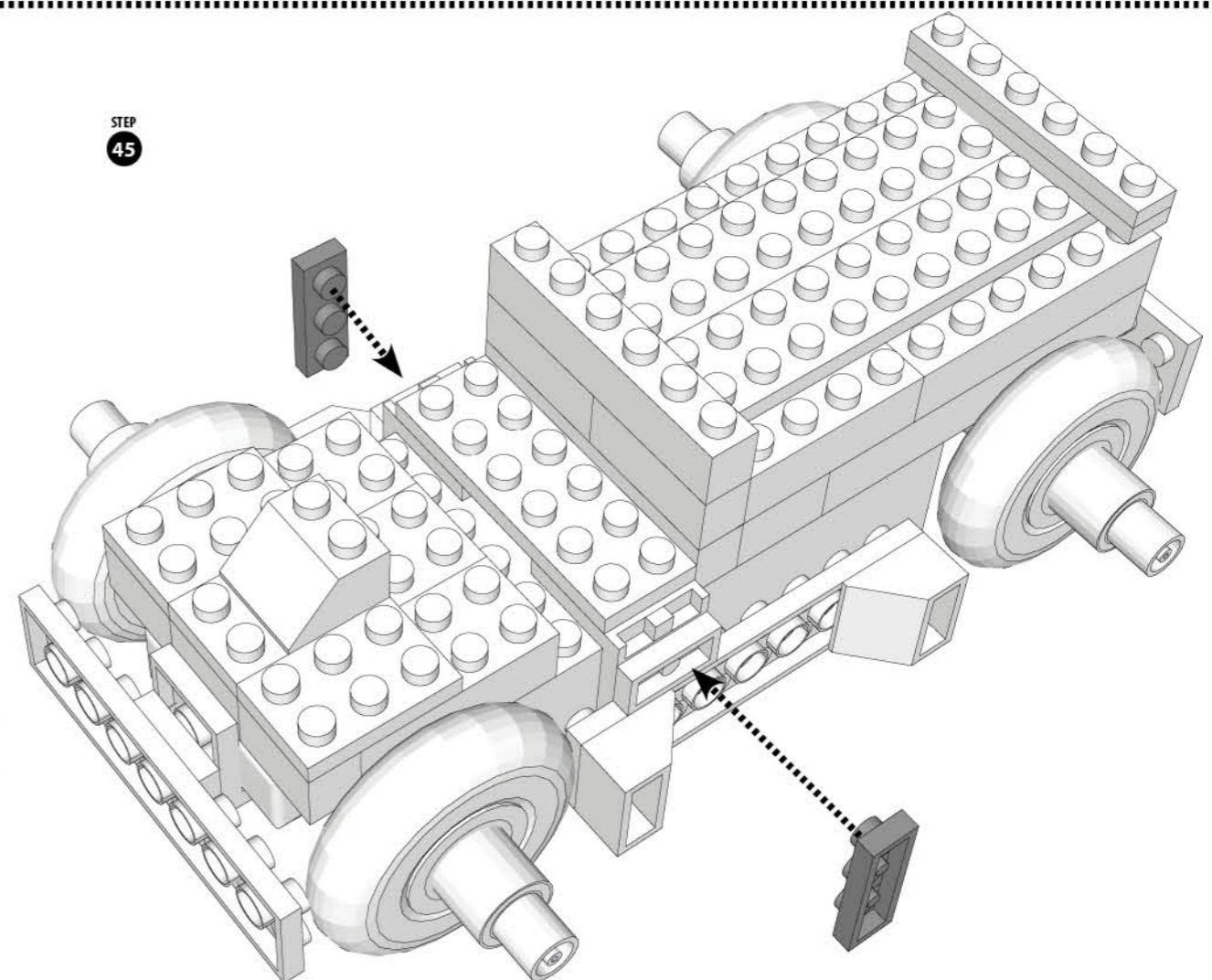
STEP
43



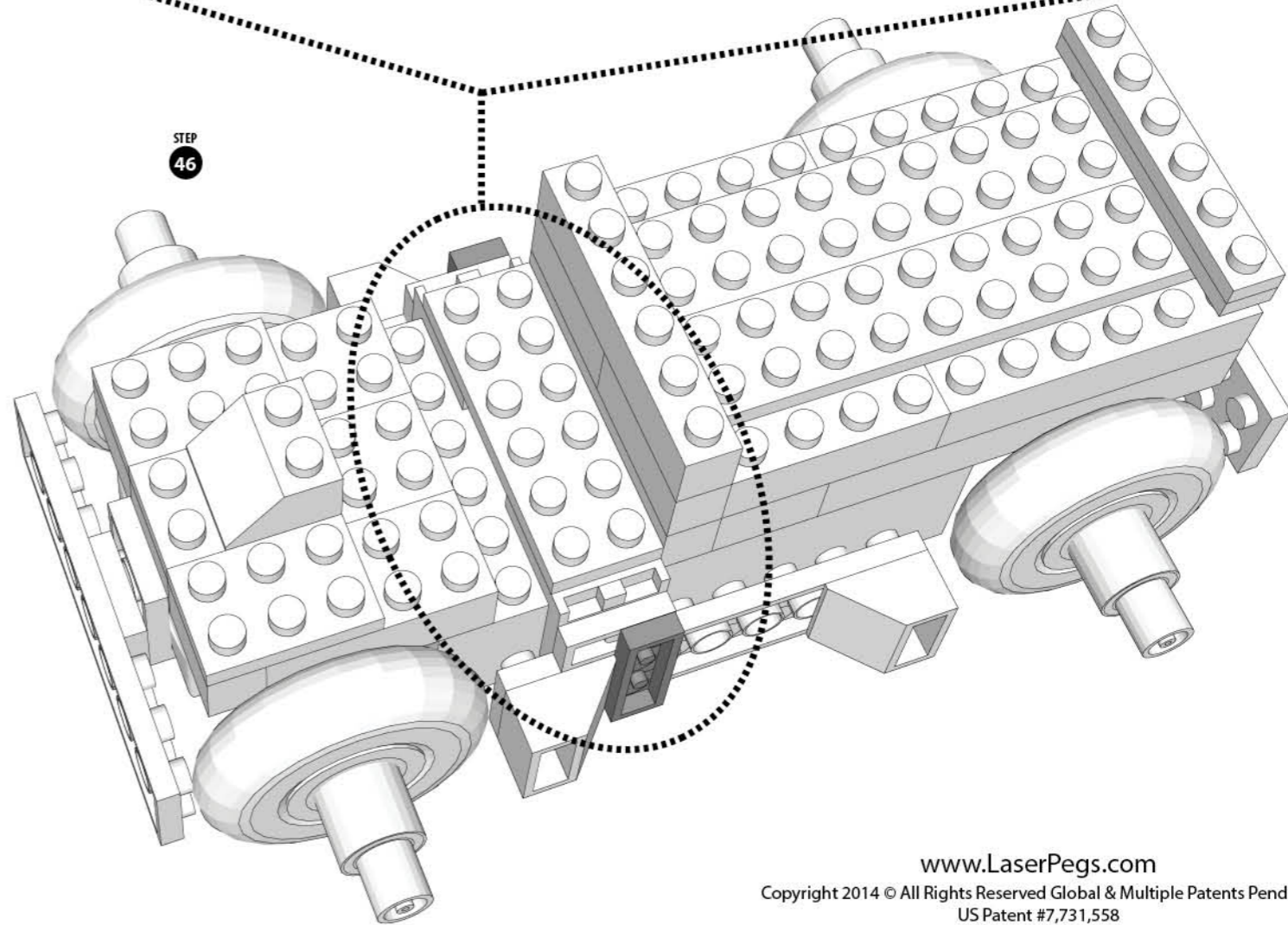
STEP
44



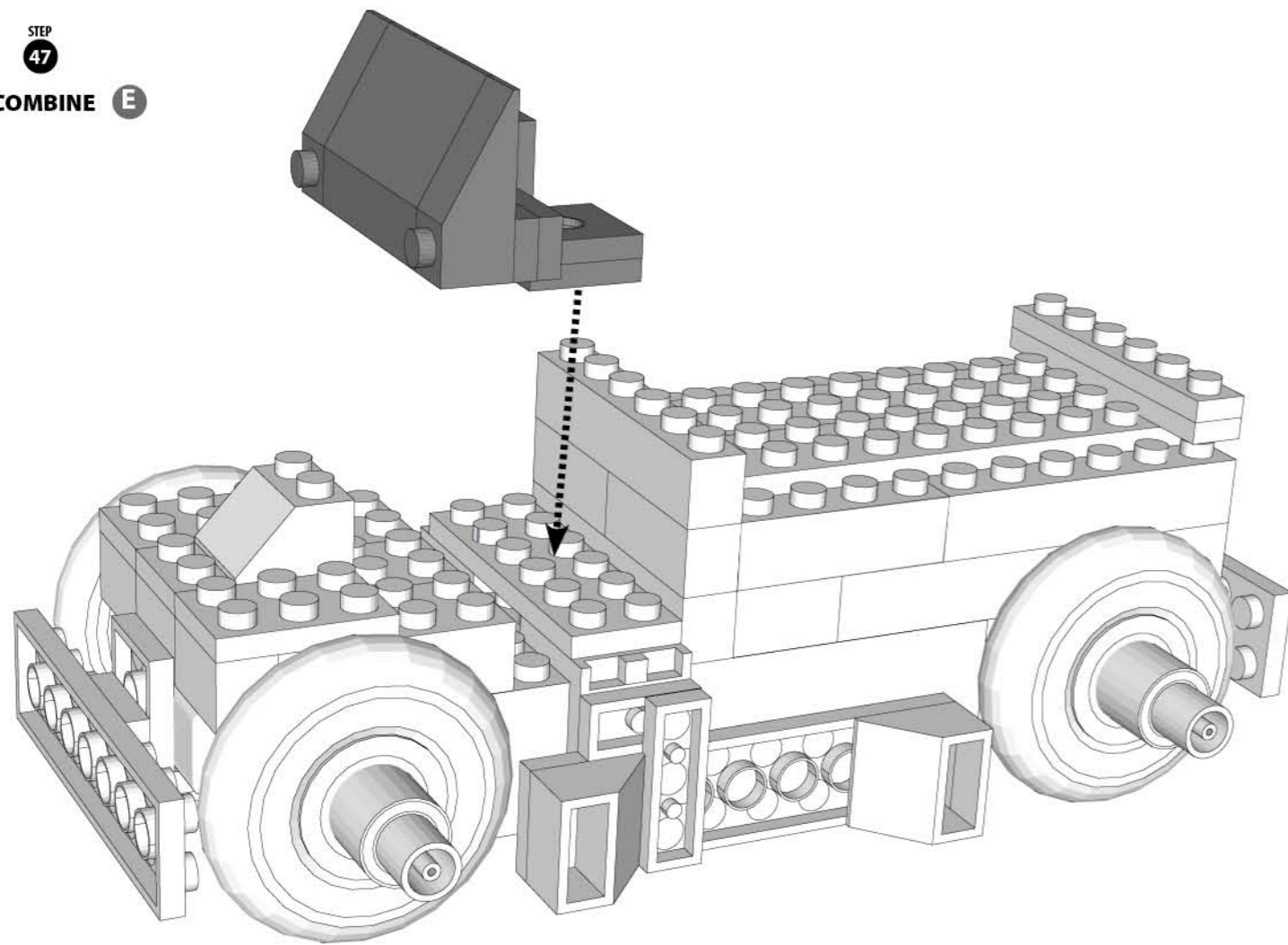
STEP
45



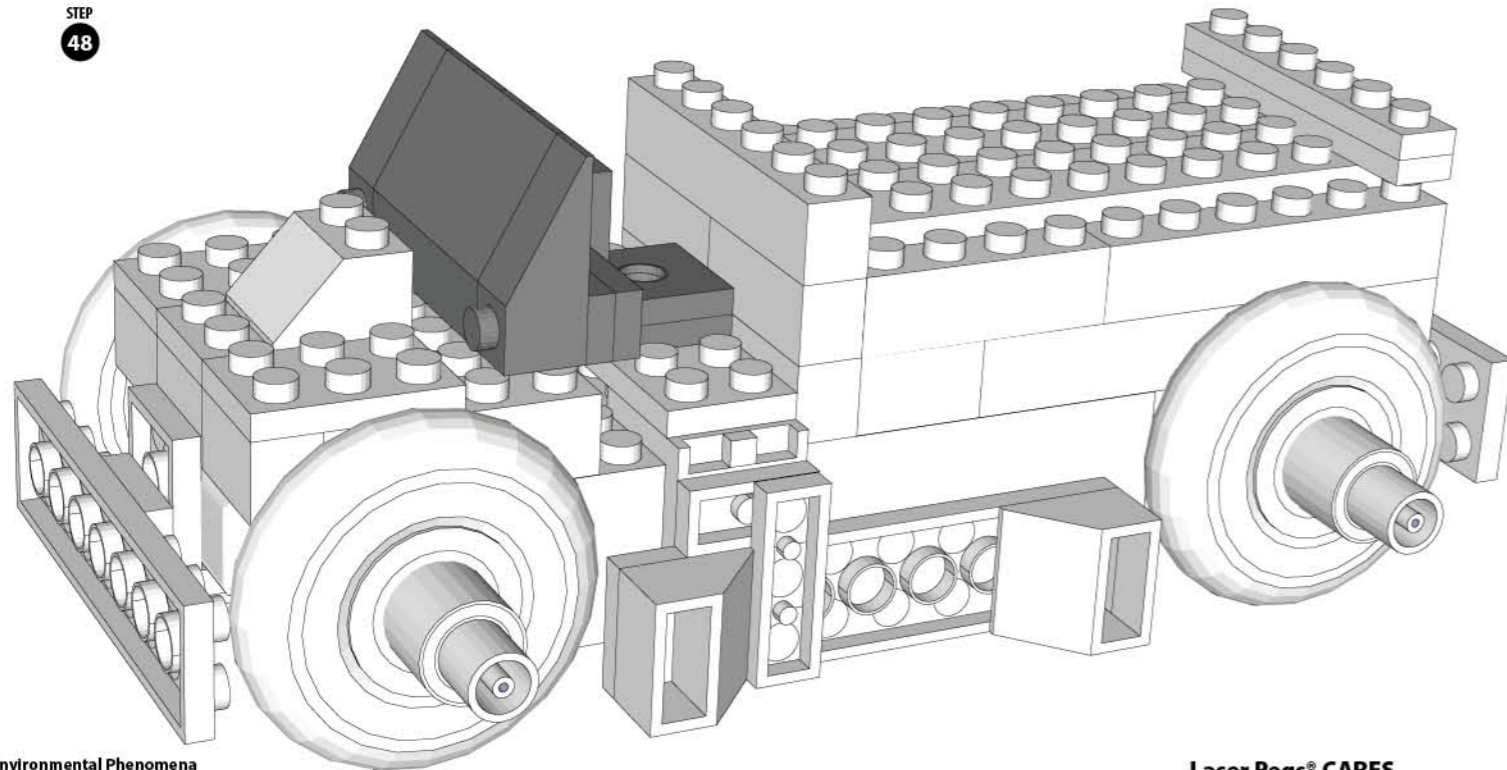
STEP
46



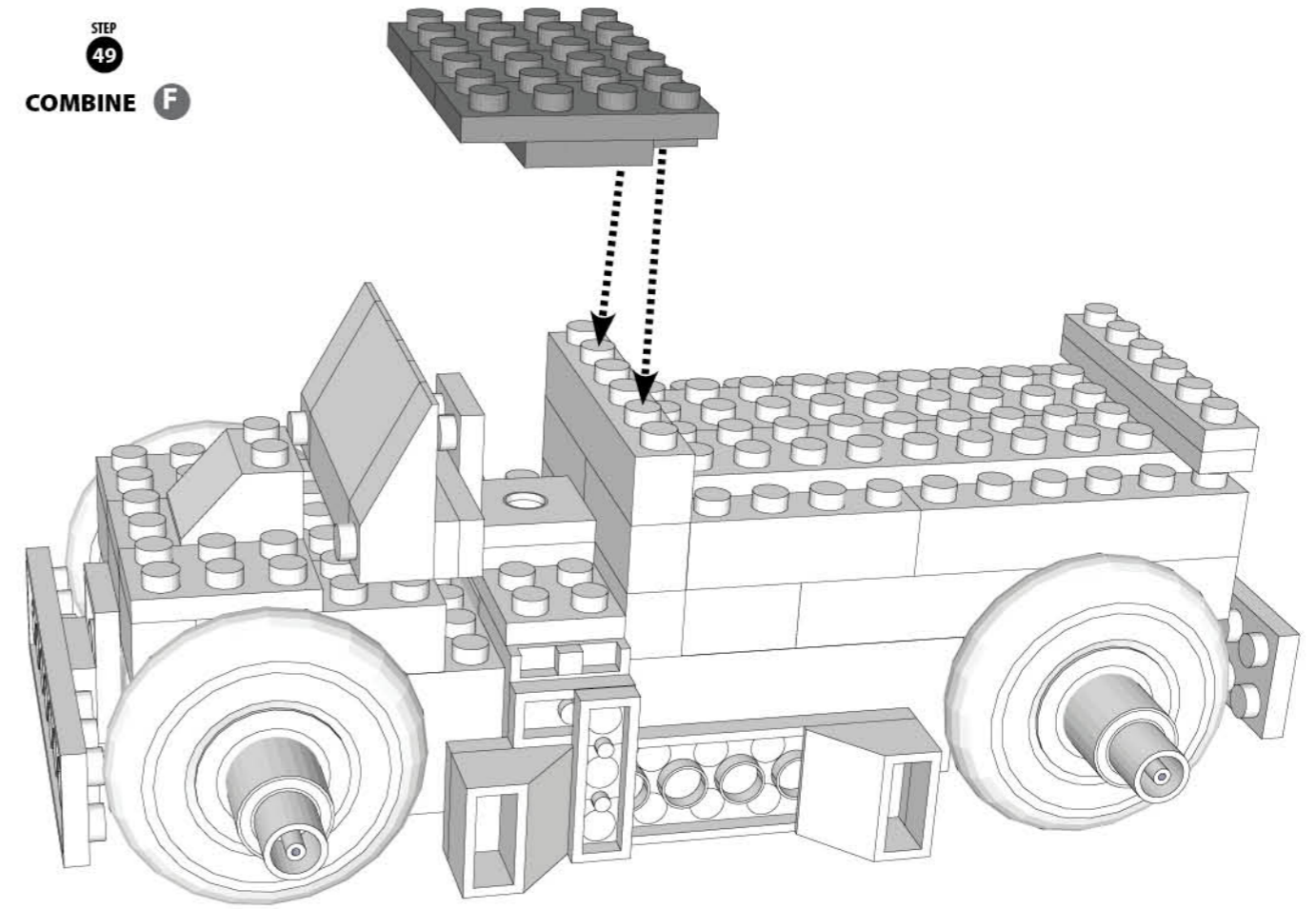
STEP 47
COMBINE E



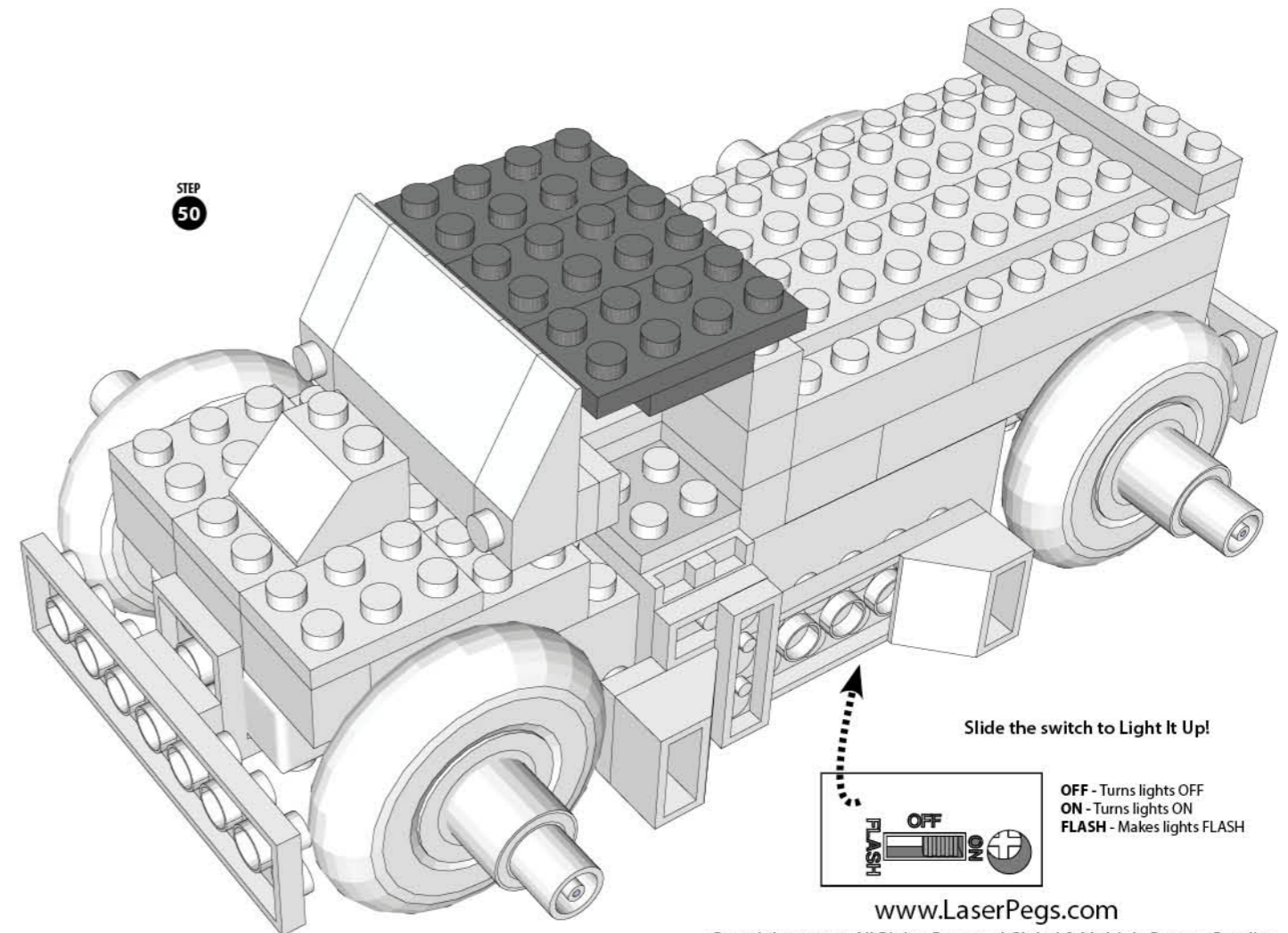
STEP 48



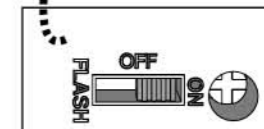
STEP 49
COMBINE F



STEP 50



Slide the switch to Light It Up!



OFF - Turns lights OFF
ON - Turns lights ON
FLASH - Makes lights FLASH

www.LaserPegs.com

Copyright 2014 © All Rights Reserved Global & Multiple Patents Pending.
US Patent #7,731,558

Laser Pegs® CARES
Questions? Comments?
For additional compliance info:
1-866-432-3735
Contact: Support@LaserPegs.com

MADE IN CHINA

Environmental Phenomena

*The unit may malfunction if subjected to radio-frequency interference. It SHOULD revert to normal operation when the interference stops. If not, it may become necessary to turn the power off and back on, or remove and reinstall the batteries.

*In the unlikely event of an electrostatic discharge, the unit may malfunction and lose memory, requiring the user to reset the device by removing and reinstalling the batteries.

LASER PEGS®

The Ultimate Construction Toy For Kids®

PBI430B

POWER BLOCK

TRUCK Series

Ages 5+

8 Models+
Any creation you can build

LIGHTED
MOBILE POWER BLOCK™ SET
INCLUDES:

- 100 Tinted Bricks
- 4 Tire Pegs
- 2 Square M-M Pegs
- 1 Mobile Power Block™

Requires 3 AAA Batteries

Batteries NOT
Included

EN71, RoHS COMPLIANT

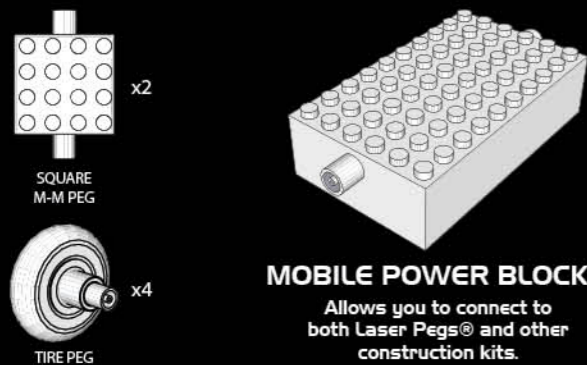
This product complies to
all safety requirements
of ASTM F 963

DO NOT SUBMERGE IN WATER

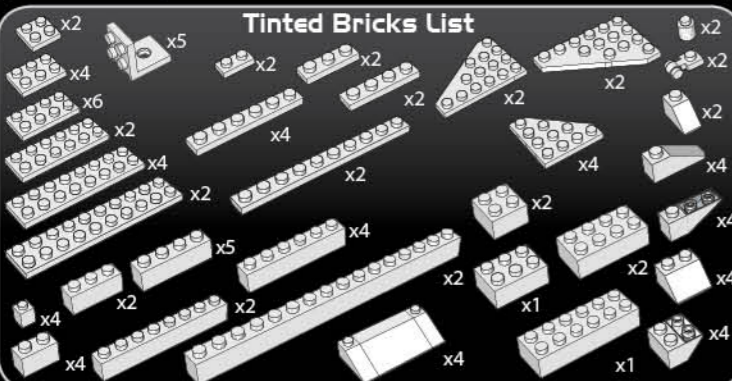
MODEL INSTRUCTIONS

All additional model instructions can
be downloaded at www.LaserPegs.com

Laser Pegs® Parts List



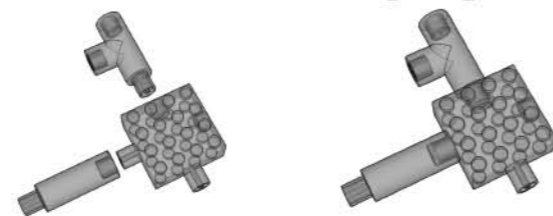
Color Code Each Laser Peg® is color coded on the circuit board inside each shape.



www.LaserPegs.com

This manual is copyright and cannot be reproduced or used online without Laser Pegs® Ventures LLC permission. Copyright 2014 © All Rights Reserved US Patent #7,731,558 Additional Global & Multiple Patents Pending. Laser Pegs® Ventures LLC, 8304 Consumer Ct., Sarasota FL 34240. Contact: Support@LaserPegs.com

Connecting Pegs



To construct with Laser Pegs®, slide two pieces together to form a connection. Slide each piece on and off smoothly.

POWER BLOCK

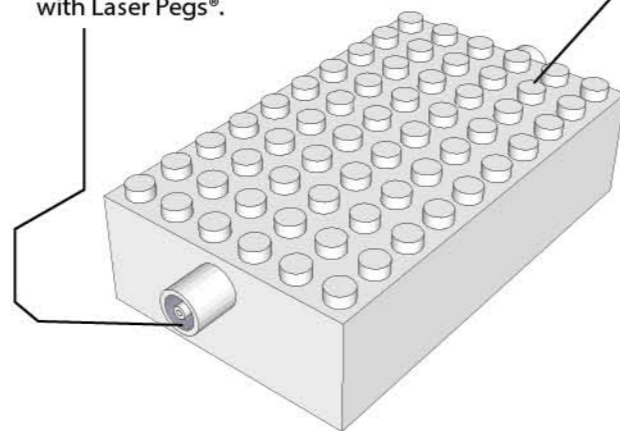
The Power Block is a Power Base that allows you to build with Laser Pegs® and construction parts to build models that light up. It is battery operated. (BATTERIES NOT INCLUDED.)

Laser Pegs® Connections

Allows you to construct with Laser Pegs®.

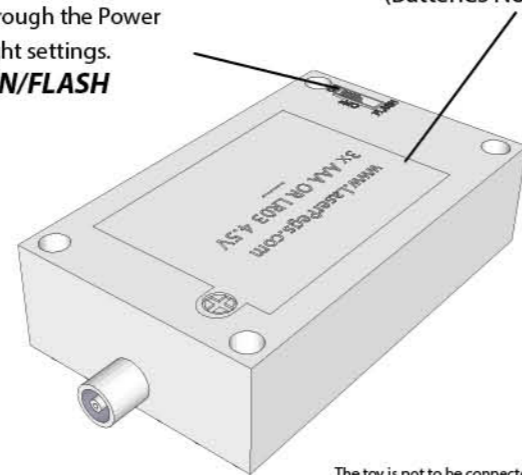
Construction Part Connections

Allows you to connect to other construction kits.



Power Switch

Move the Power Switch to cycle through the Power Block light settings.
OFF/ON/FLASH

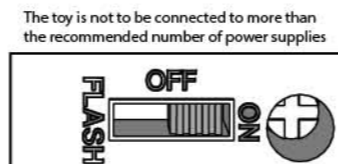


Battery Compartment

Requires 3-AAA Batteries (Batteries Not Included)

LIGHT SETTINGS

OFF - Turns lights OFF
ON - Turns lights ON
FLASH - Makes lights FLASH



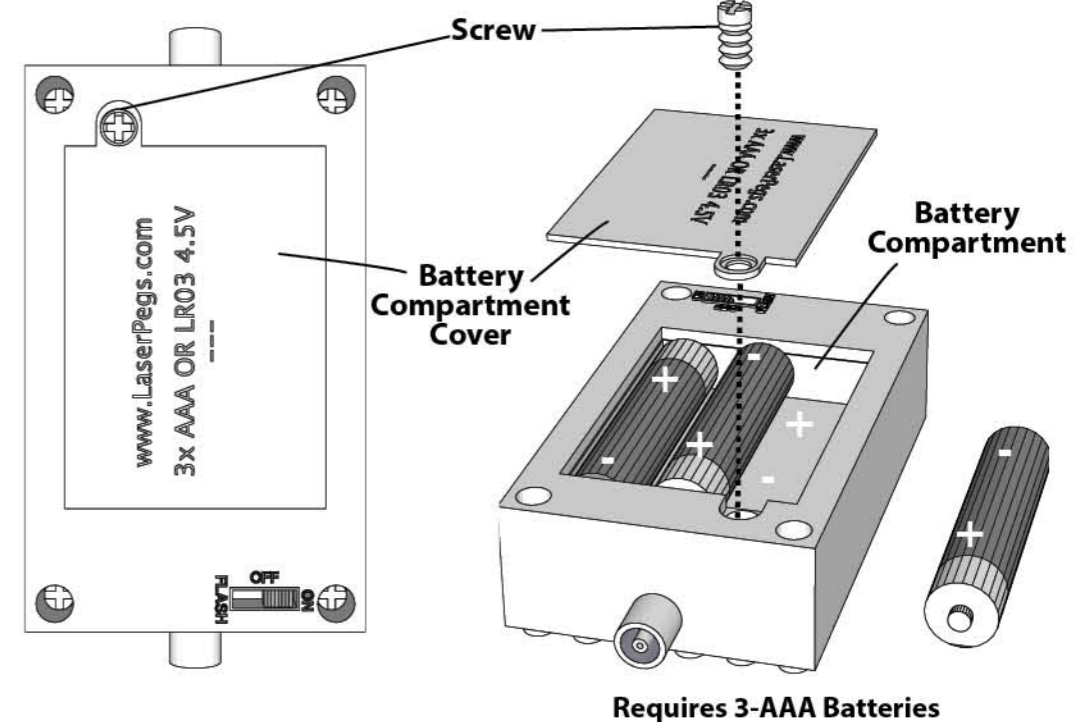
**WARNING: STROBE LIGHTS
MAY CAUSE SEIZURES**

WARNING! Each Laser Peg® draws current from the batteries. Therefore, the more pegs you use, the quicker you will deplete your battery power! As the power weakens, the current will slowly fail and some Laser Pegs® will illuminate (typically the reds and yellows) and some won't. When the Laser Pegs® dim, the Laser Pegs® are not broken, they just need stronger batteries. You have 2 simple options...
1. Change the batteries.
2. Use high quality batteries. They will last a little longer, but they will still deplete rapidly the more Laser Pegs® you connect!

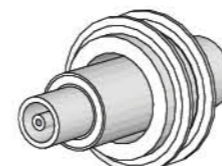
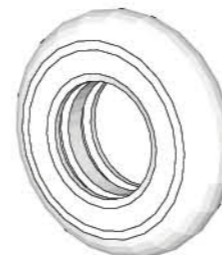
Replacing Batteries

1. Remove Screw.
2. Lift off Battery Compartment Cover.
3. Place three (3) AAA batteries in the correct position - as displayed inside of the Power Block.
4. Replace Battery Compartment Cover and Screw.
5. Slide Power Switch setting to OFF/ON/FLASH.
6. Do not mix old and new batteries.
7. Do not mix alkaline, standard (carbon-zinc), or rechargeable (nickel-cadmium, NiMH) batteries!
8. Exhausted batteries are to be removed from the power base.
9. Never connect more than 30 Laser Pegs® at one time!
10. Non-rechargeable batteries are not to be recharged.
11. Rechargeable batteries are only to be recharged under adult supervision.
12. Rechargeable batteries are to be removed from the toy before being recharged.
13. Batteries are to be inserted with the correct polarity.
14. The supply terminals are not to be short-circuited.
15. DO NOT THROW BATTERIES INTO FIRE!

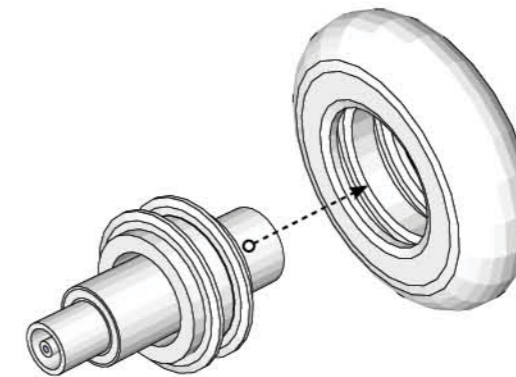
Remove the Phillips head screw with a 4mm screw driver.
**Requires 3-AAA Batteries
Batteries NOT Included**



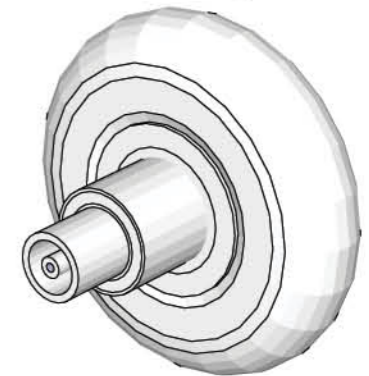
Connecting the Laser Pegs® Tire to the Axle Peg



Place Axle Peg through the Tire



Tire Peg

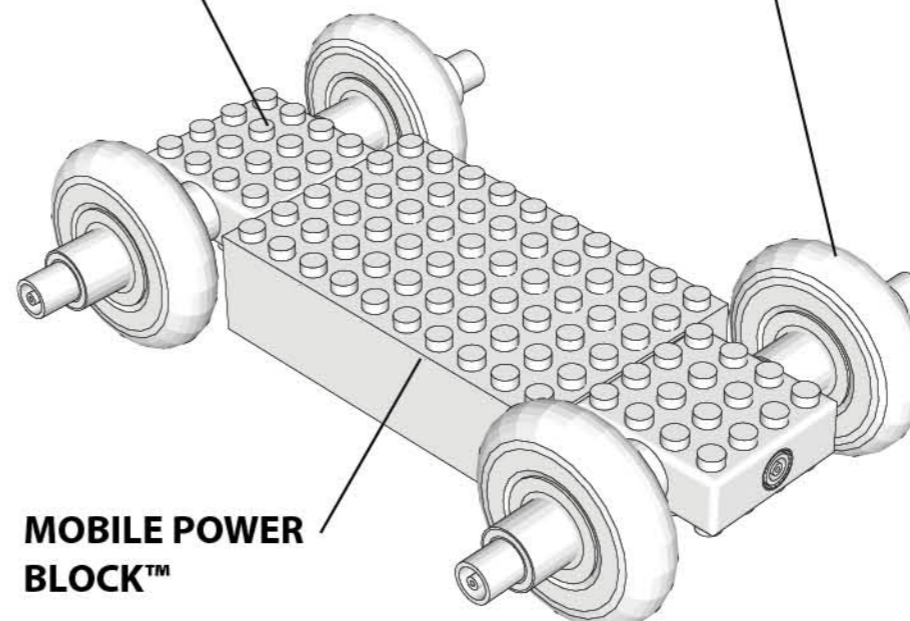


POWER BLOCK™

Use the Laser Pegs® Square M-M Peg to attach the Tire Pegs to the Power Block™.

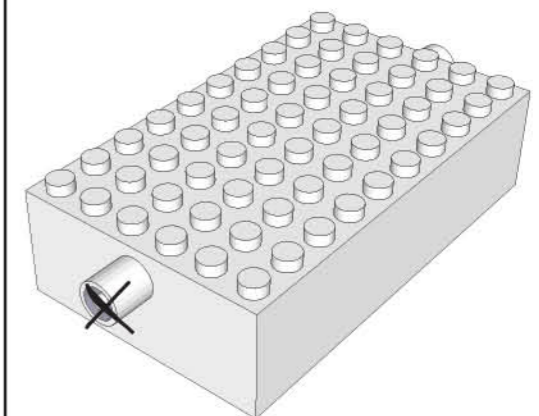
Laser Pegs® Square M-M Peg

Tire Peg



AVOID DAMAGE TO PEG HOLES

*To avoid short-circuits, keep metal objects and other unauthorized materials from obstructing the peg holes.



Never connect more than 30 Laser Pegs® to the Power Block at one time.

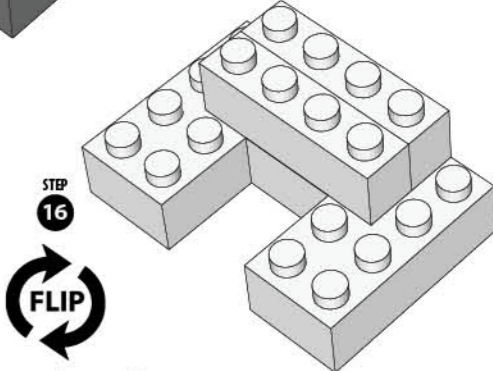
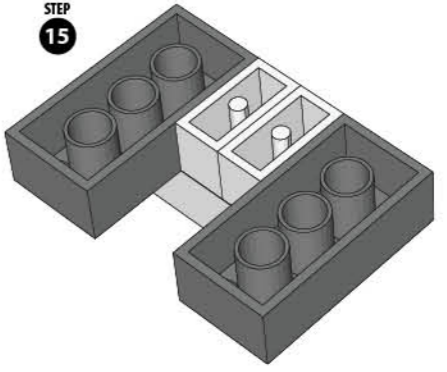
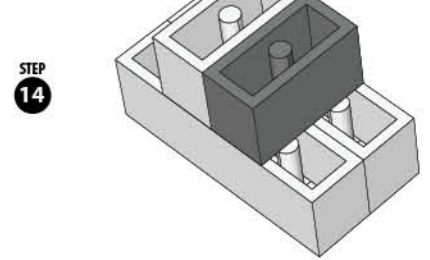
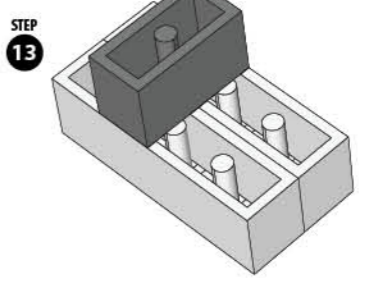
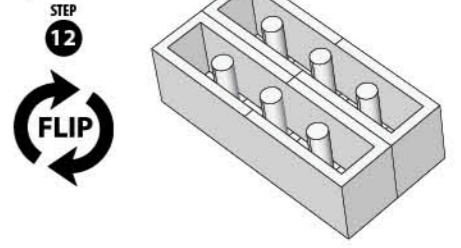
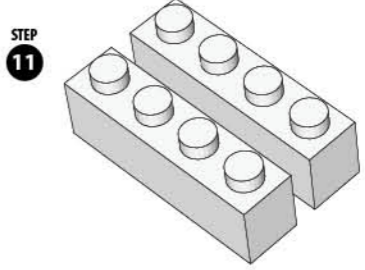
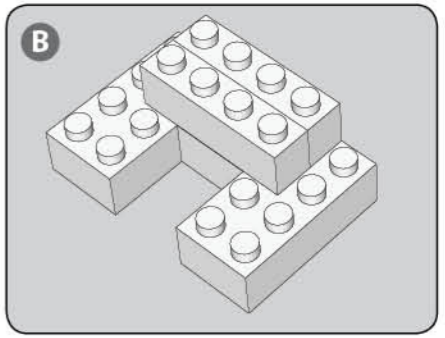
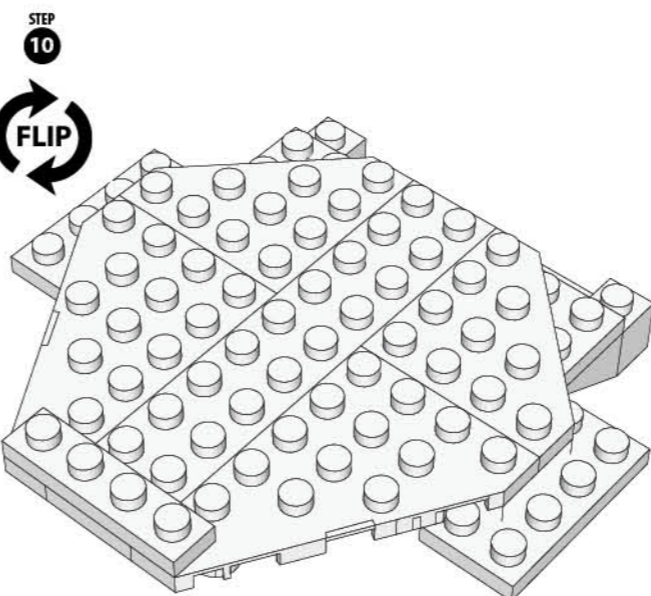
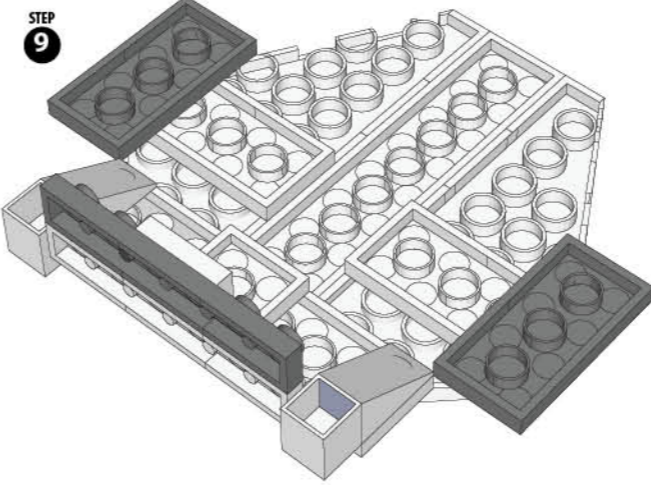
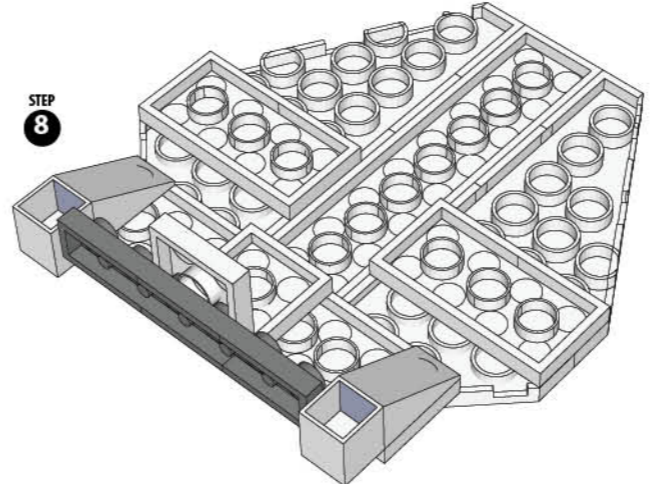
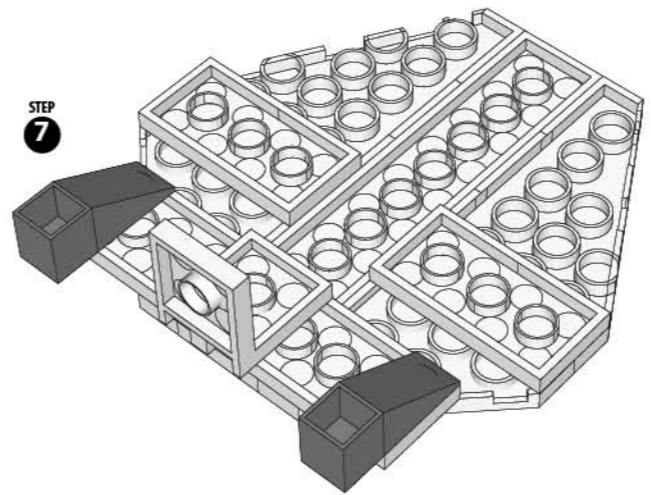
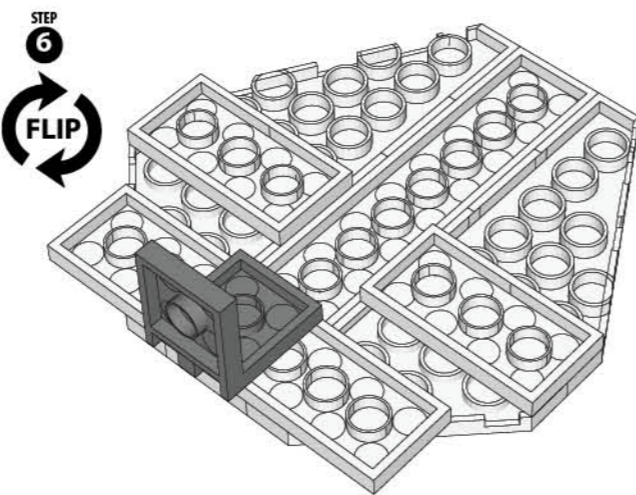
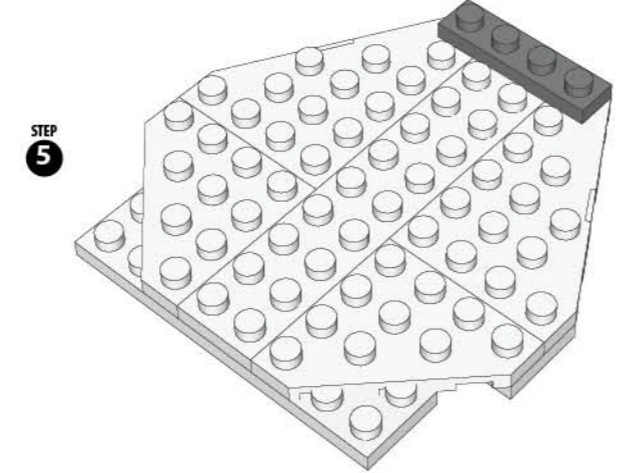
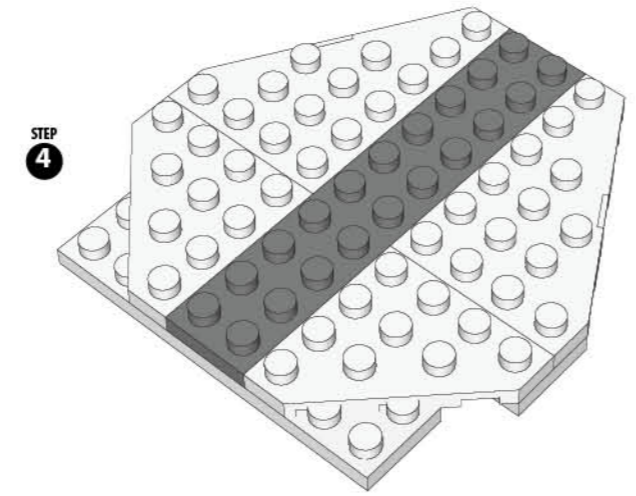
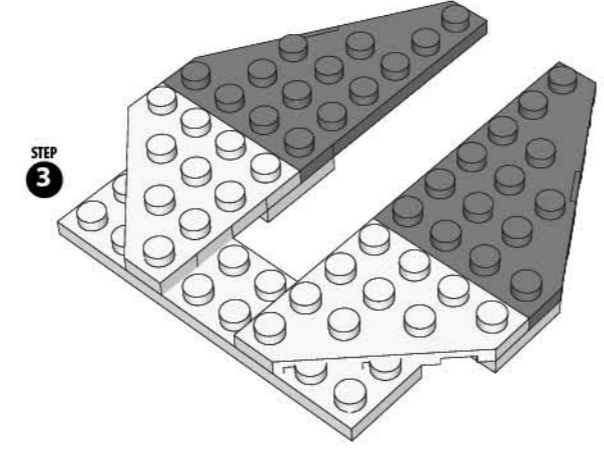
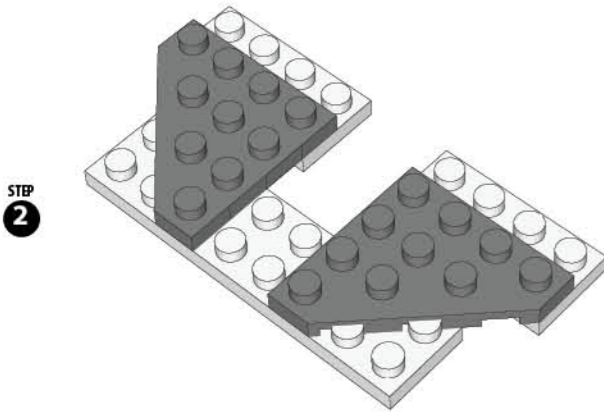
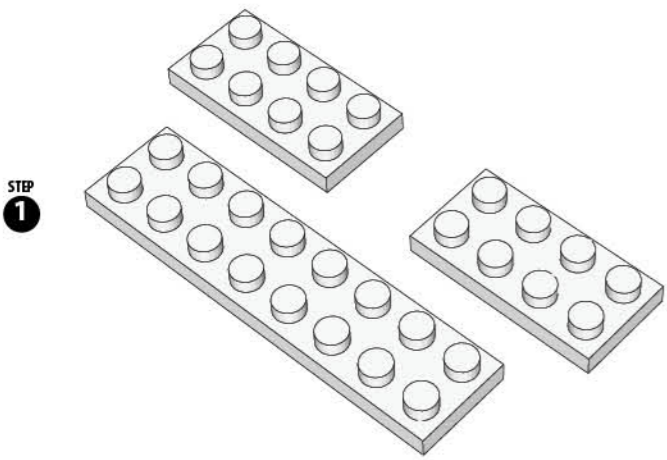
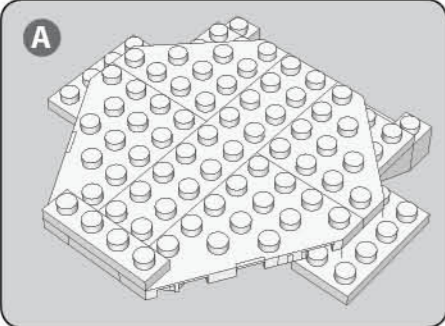
TROPHY TRUCK: The fastest class of off-road racing vehicles designed and built to resemble modern pickup trucks, but they are not street legal.



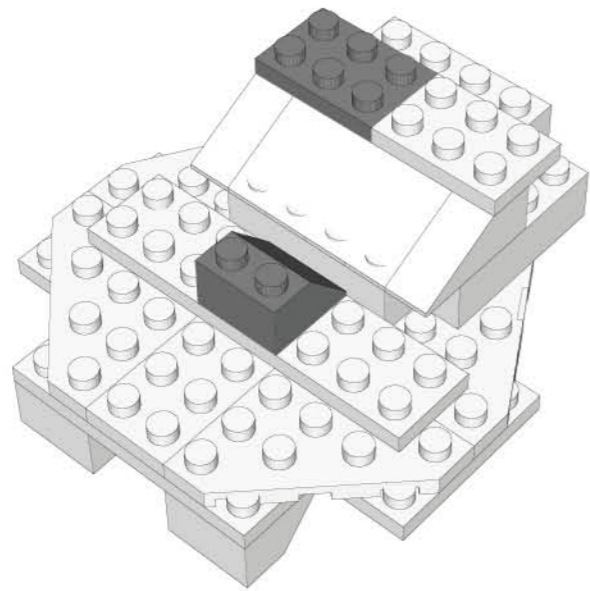
TROPHY TRUCK

Model
Difficulty
Level

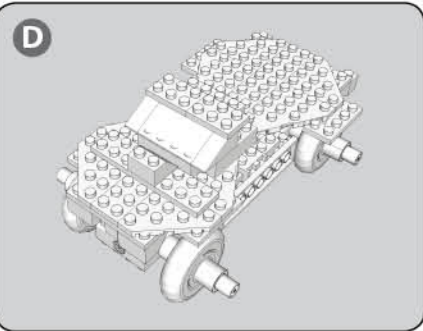
4



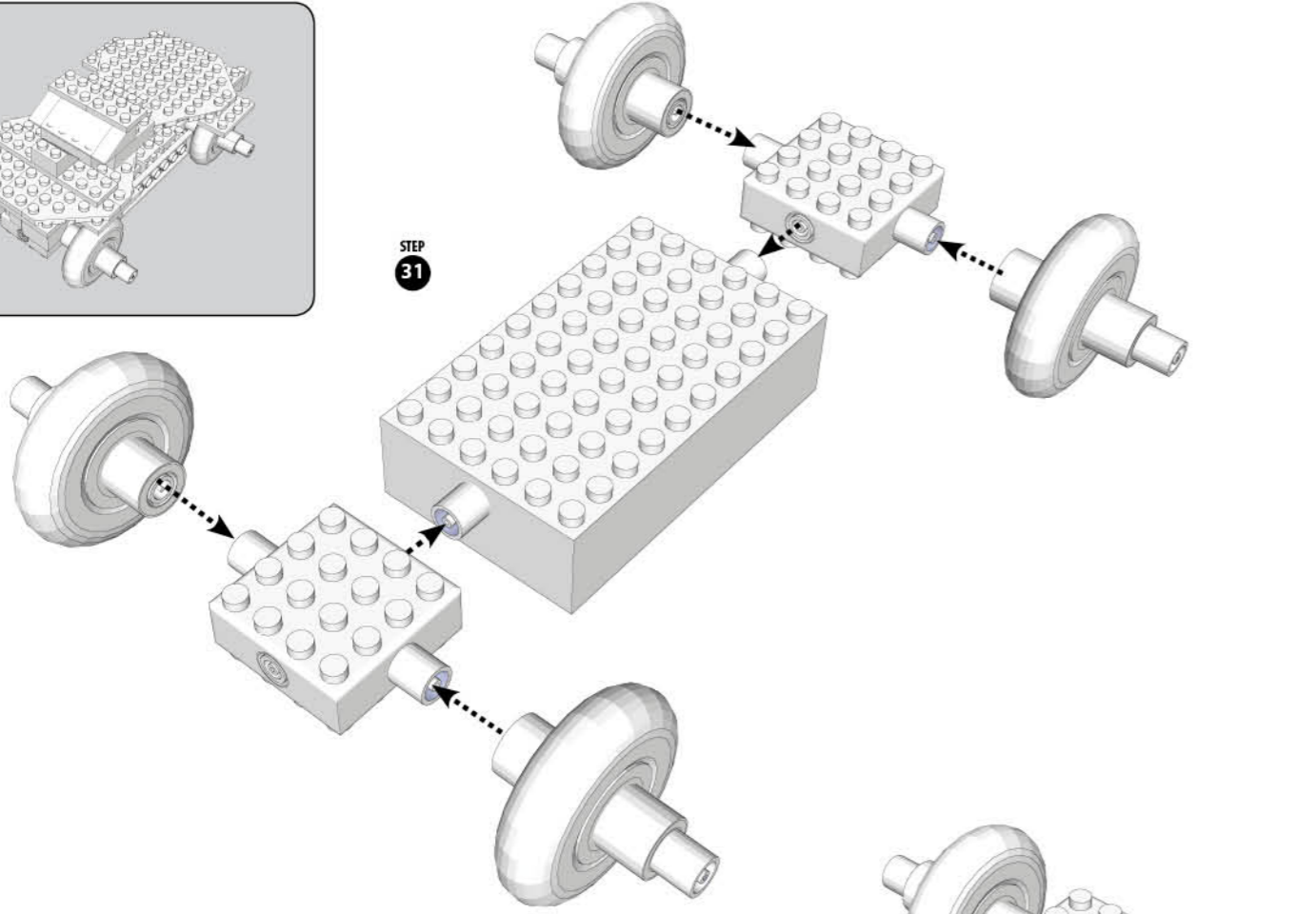
STEP 30



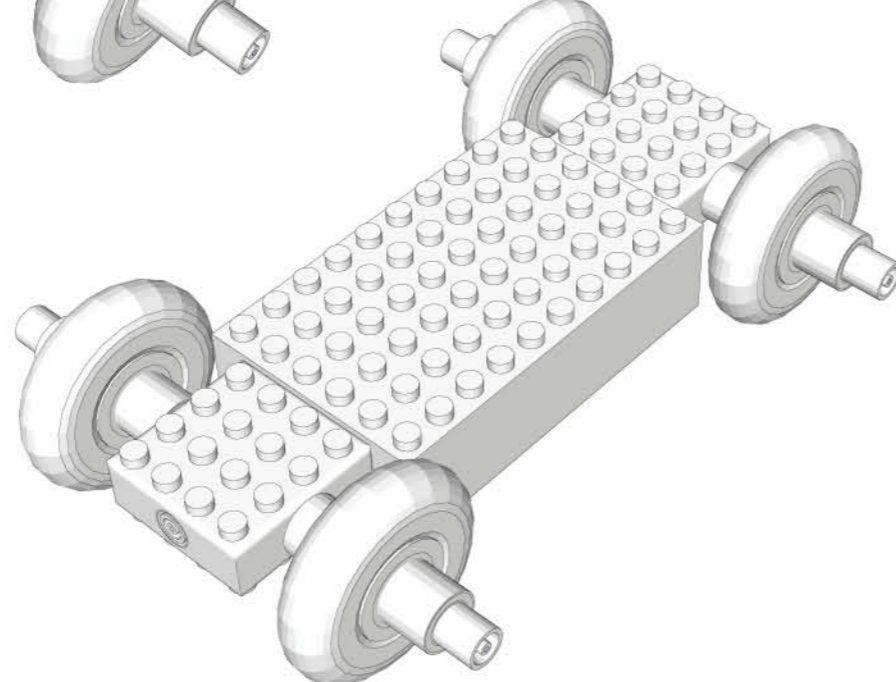
D



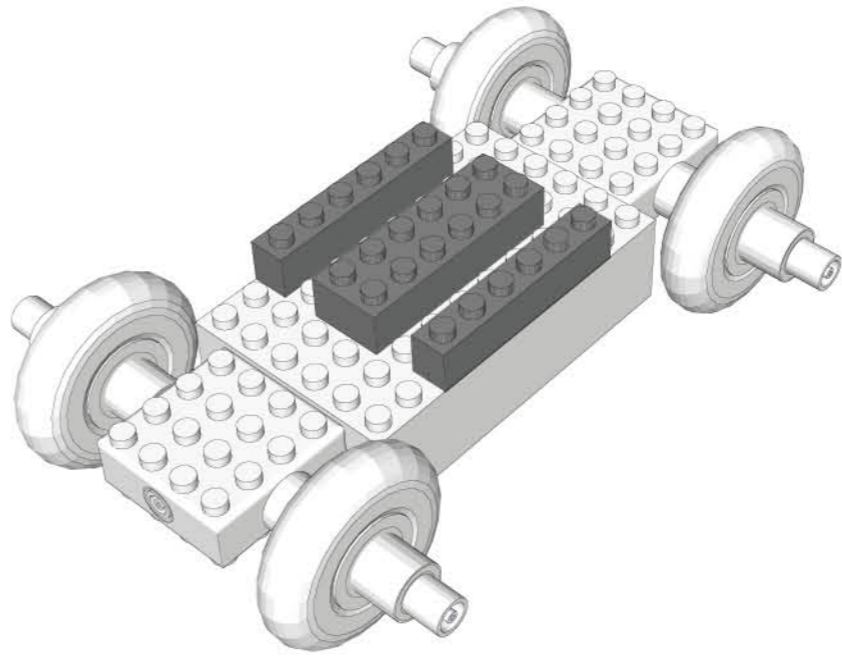
STEP 31



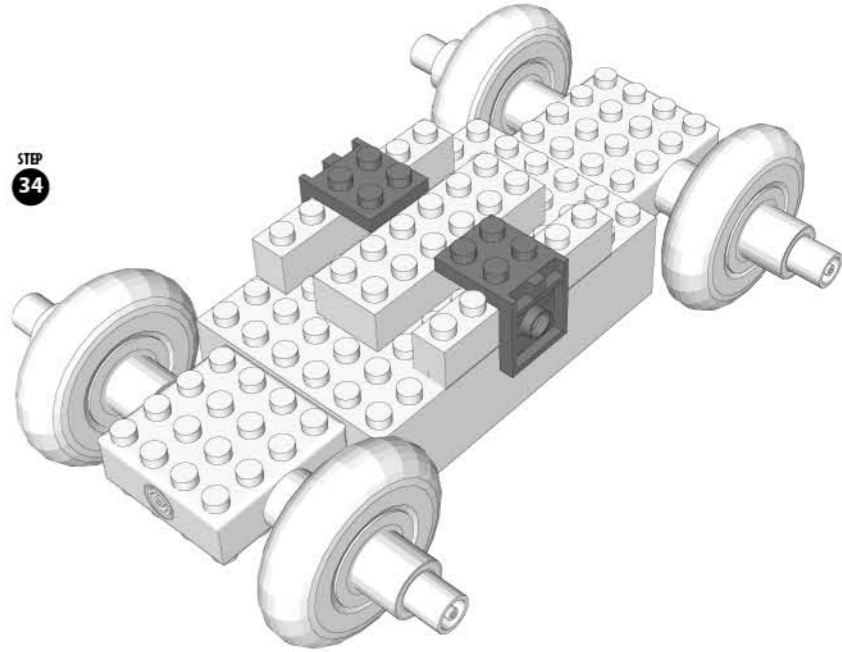
STEP 32



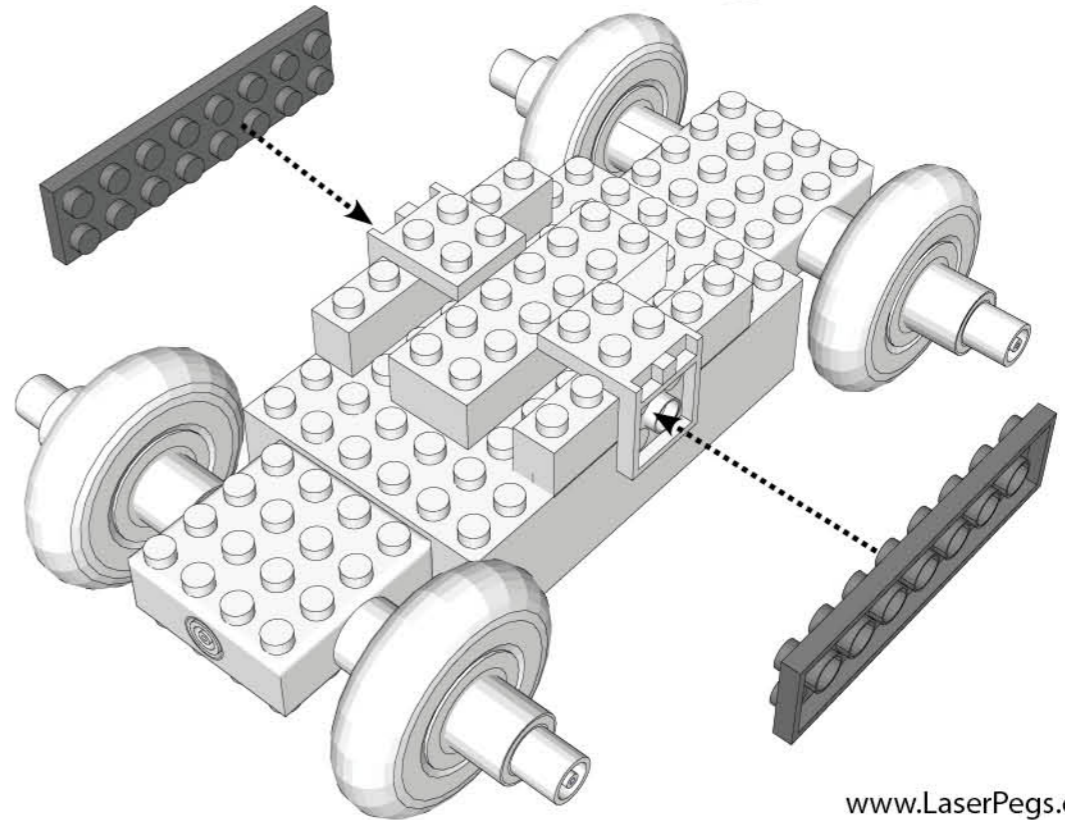
STEP 33



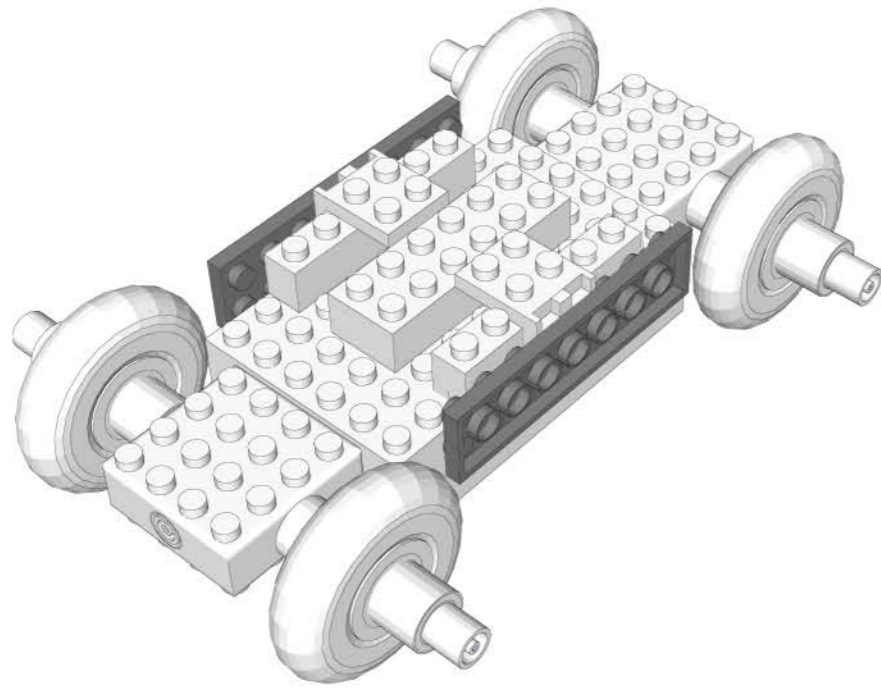
STEP 34



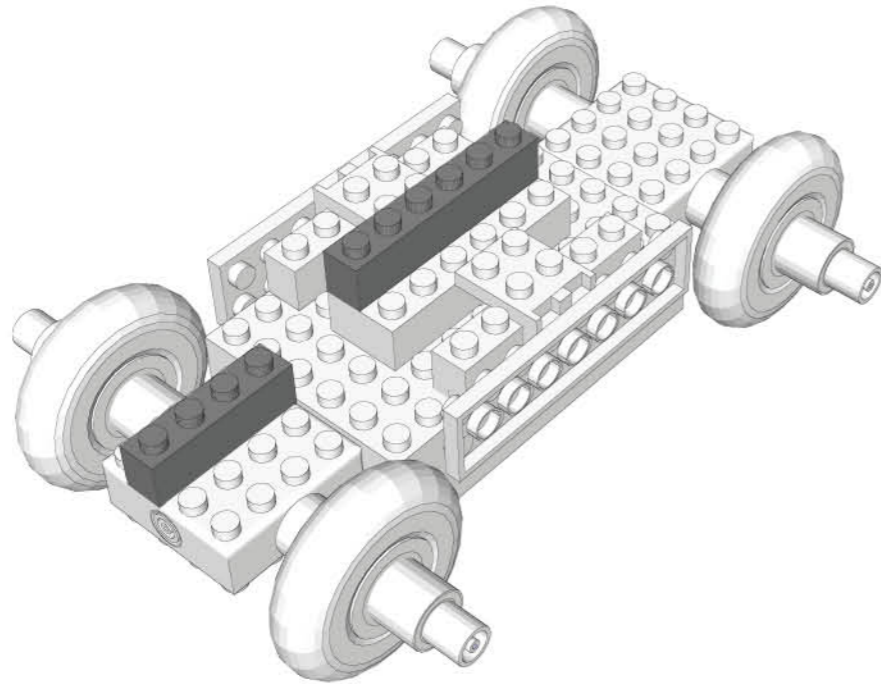
STEP 35



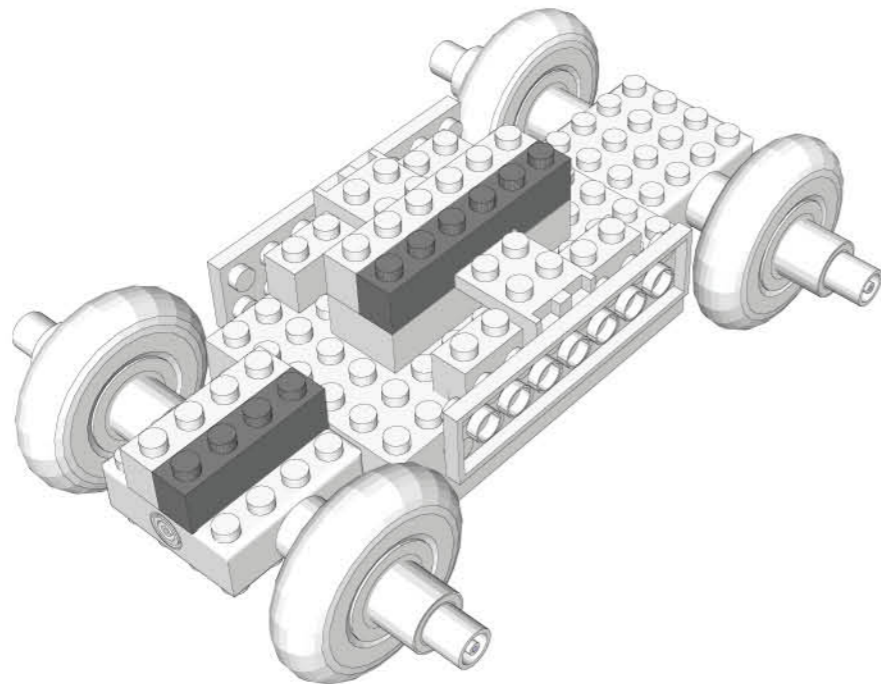
STEP
36



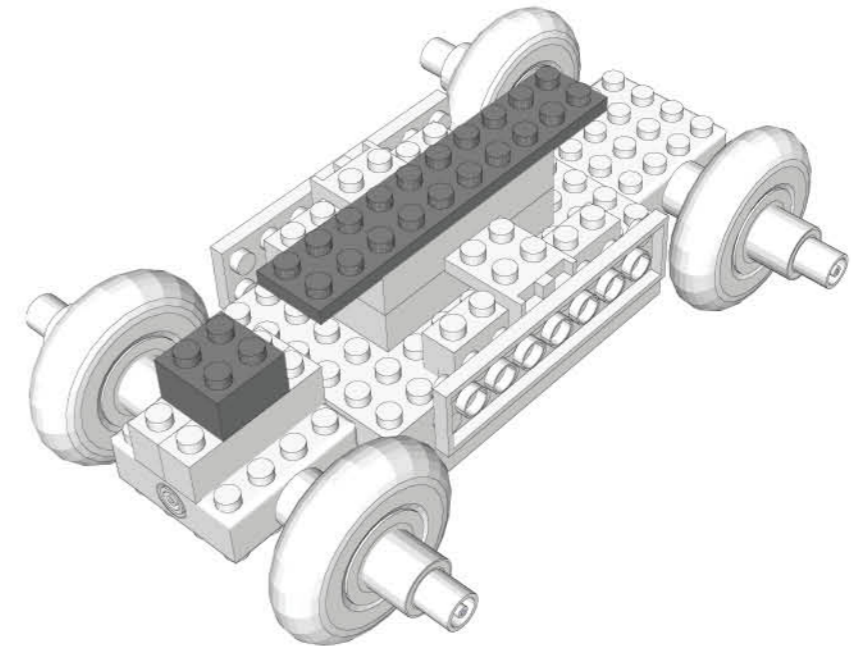
STEP
37



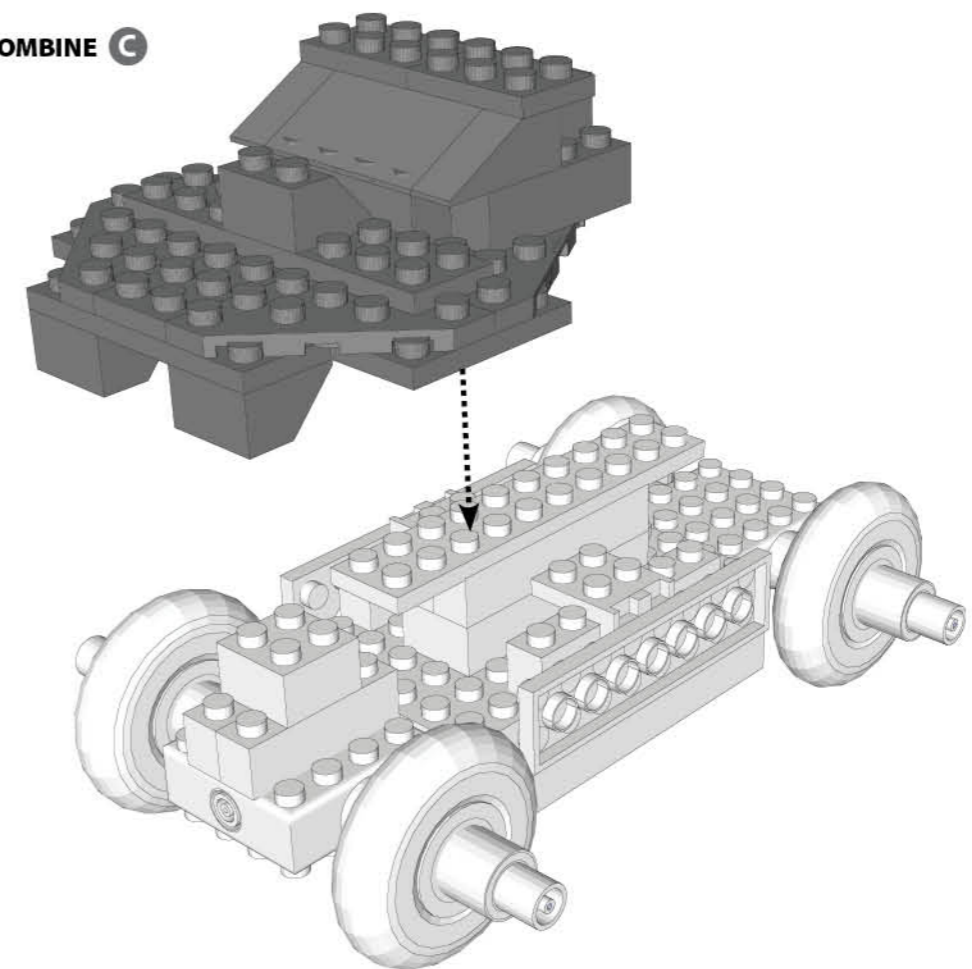
STEP
38



STEP
39



STEP
40 COMBINE C

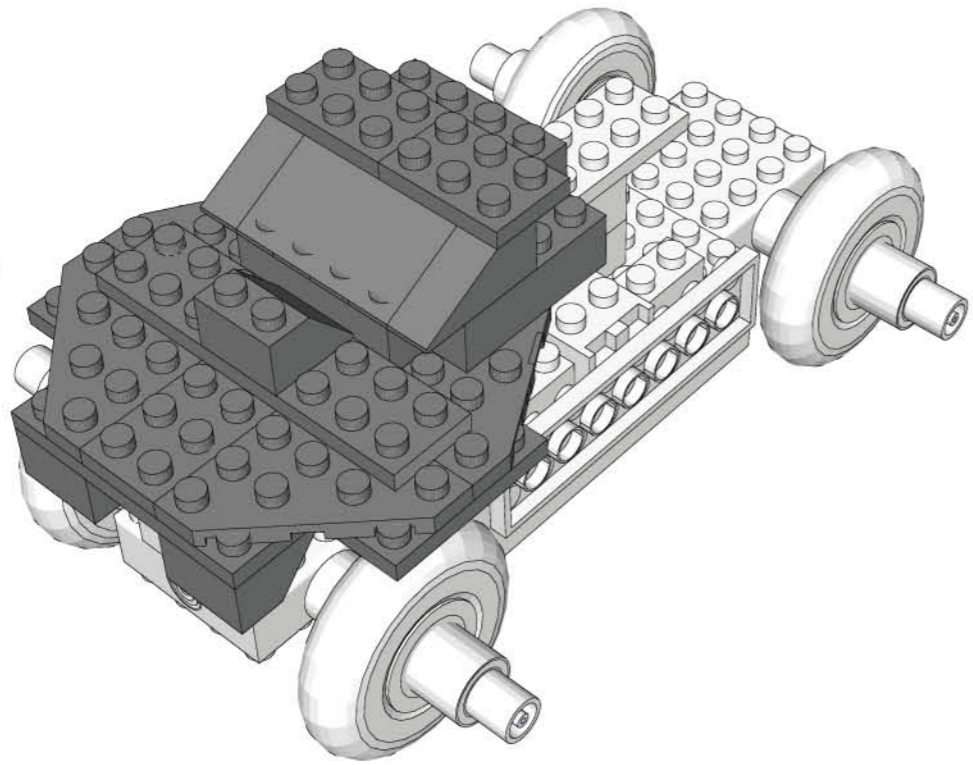


Environmental Phenomena

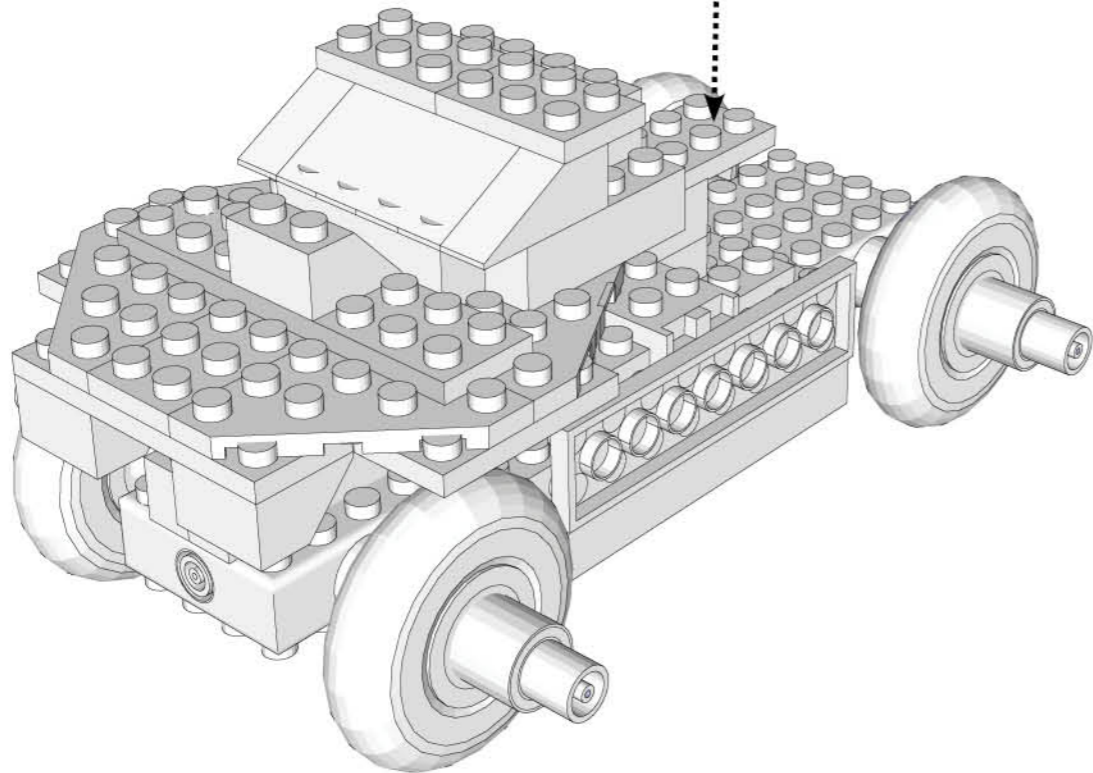
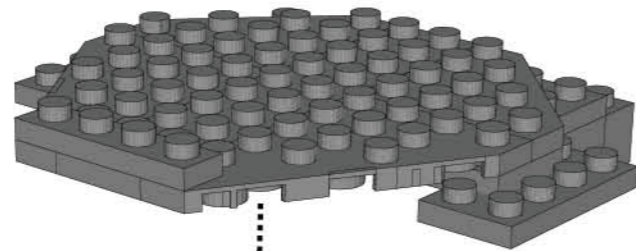
*The unit may malfunction if subjected to radio-frequency interference. It SHOULD revert to normal operation when the interference stops. If not, it may become necessary to turn the power off and back on, or remove and reinstall the batteries.

*In the unlikely event of an electrostatic discharge, the unit may malfunction and lose memory, requiring the user to reset the device by removing and reinstalling the batteries.

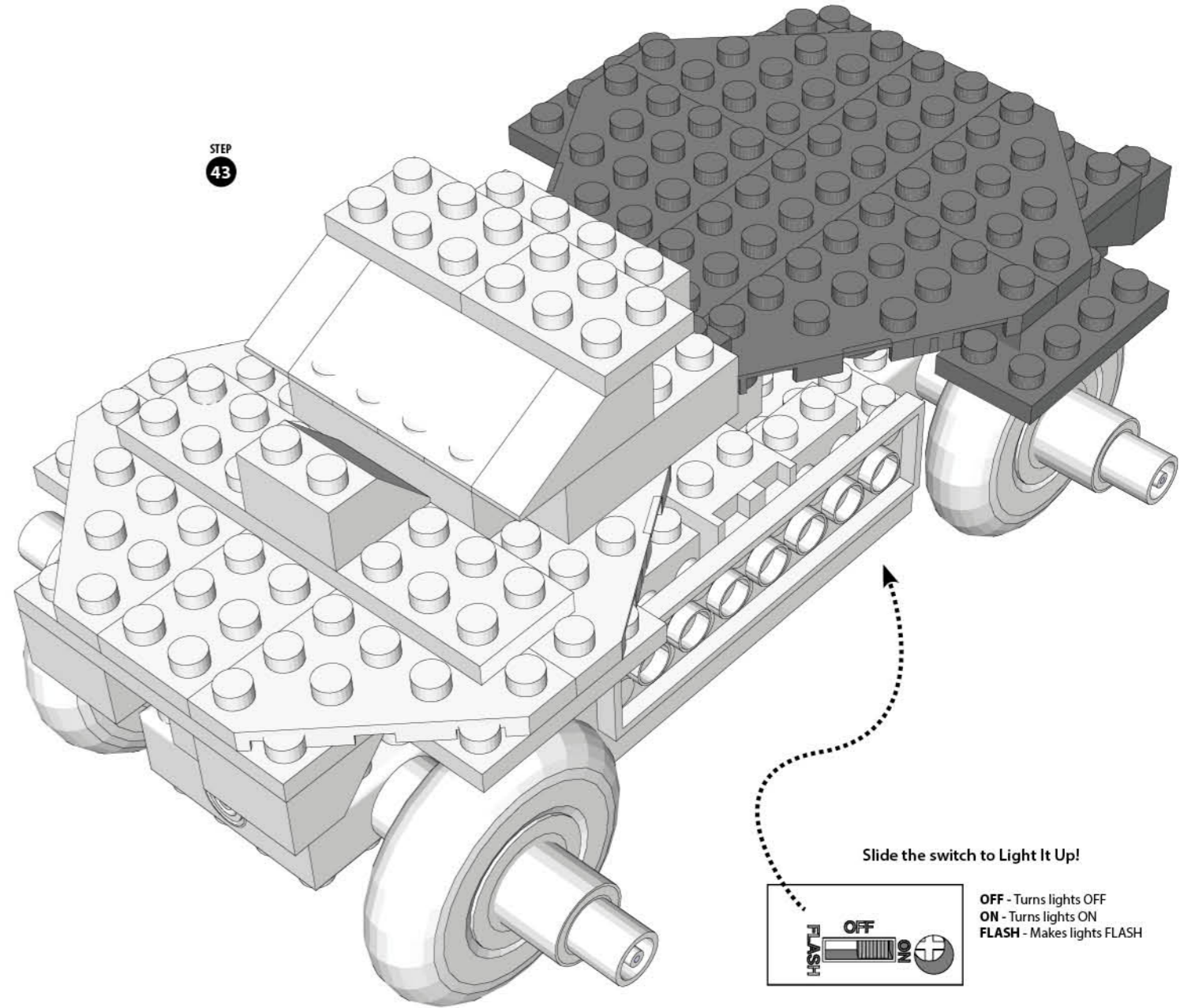
STEP
41



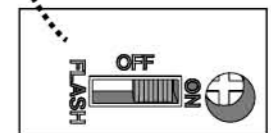
STEP
42 COMBINE A



STEP
43



Slide the switch to Light It Up!



OFF - Turns lights OFF
ON - Turns lights ON
FLASH - Makes lights FLASH

Laser Pegs® CARES
Questions? Comments?
For additional compliance info:
1-866-432-3735
Contact: Support@LaserPegs.com

MADE IN CHINA

www.LaserPegs.com
Copyright 2014 © All Rights Reserved Global & Multiple Patents Pending.
US Patent #7,731,558

LASER PEGS®

The Ultimate Construction Toy For Kids®

PBI430B

POWER BLOCK

TRUCK Series

Ages 5+

8 Models+
Any creation you can build

LIGHTED
MOBILE POWER BLOCK™ SET
INCLUDES:

- 100 Tinted Bricks
- 4 Tire Pegs
- 2 Square M-M Pegs
- 1 Mobile Power Block™

Requires 3 AAA Batteries

Batteries NOT
Included

EN71, RoHS COMPLIANT

This product complies to
all safety requirements
of ASTM F 963

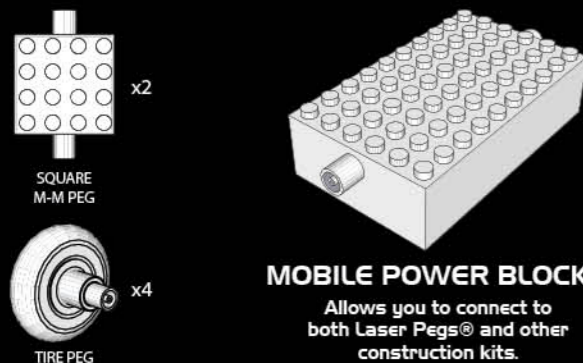
DO NOT SUBMERGE IN WATER

WARNING: CHOKING HAZARD-Small parts.
Not for children under 3 yrs.
Do not submerge in water.

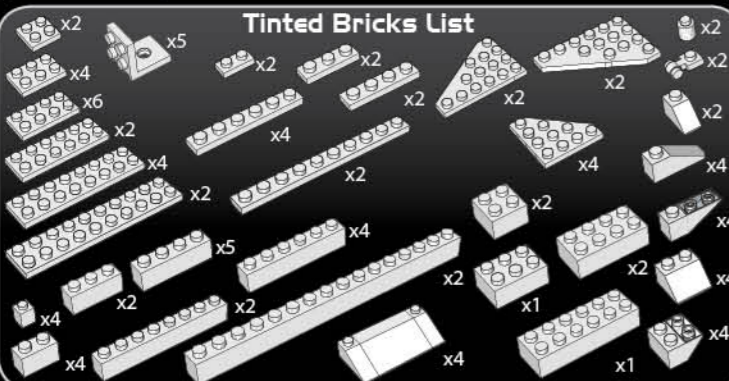
MODEL INSTRUCTIONS

All additional model instructions can
be downloaded at www.LaserPegs.com

Laser Pegs® Parts List



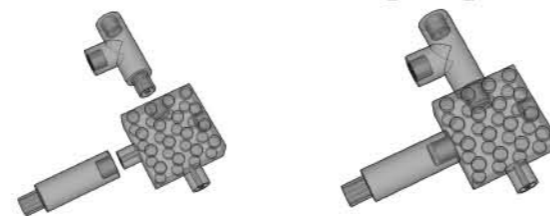
Color Code Each Laser Peg® is color coded on the circuit board inside each shape.



www.LaserPegs.com

This manual is copyright and cannot be reproduced or used online without Laser Pegs® Ventures LLC permission. Copyright 2014 © All Rights Reserved US Patent #7,731,558 Additional Global & Multiple Patents Pending. Laser Pegs® Ventures LLC, 8304 Consumer Ct., Sarasota FL 34240. Contact: Support@LaserPegs.com

Connecting Pegs



To construct with Laser Pegs®, slide two pieces together to form a connection. Slide each piece on and off smoothly.

POWER BLOCK

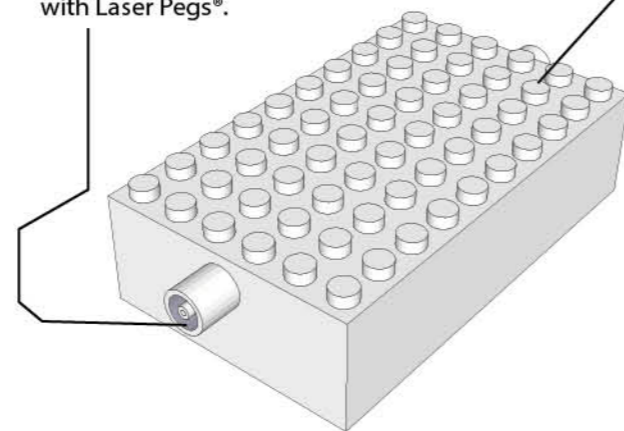
The Power Block is a Power Base that allows you to build with Laser Pegs® and construction parts to build models that light up. It is battery operated. (BATTERIES NOT INCLUDED.)

Laser Pegs® Connections

Allows you to construct with Laser Pegs®.

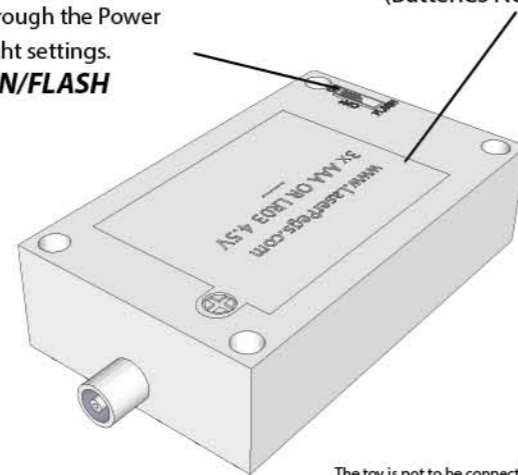
Construction Part Connections

Allows you to connect to other construction kits.



Power Switch

Move the Power Switch to cycle through the Power Block light settings.
OFF/ON/FLASH

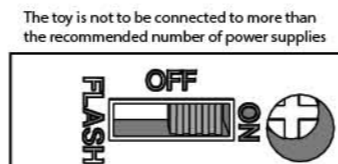


Battery Compartment

Requires 3-AAA Batteries
(Batteries Not Included)

LIGHT SETTINGS

OFF - Turns lights OFF
ON - Turns lights ON
FLASH - Makes lights FLASH



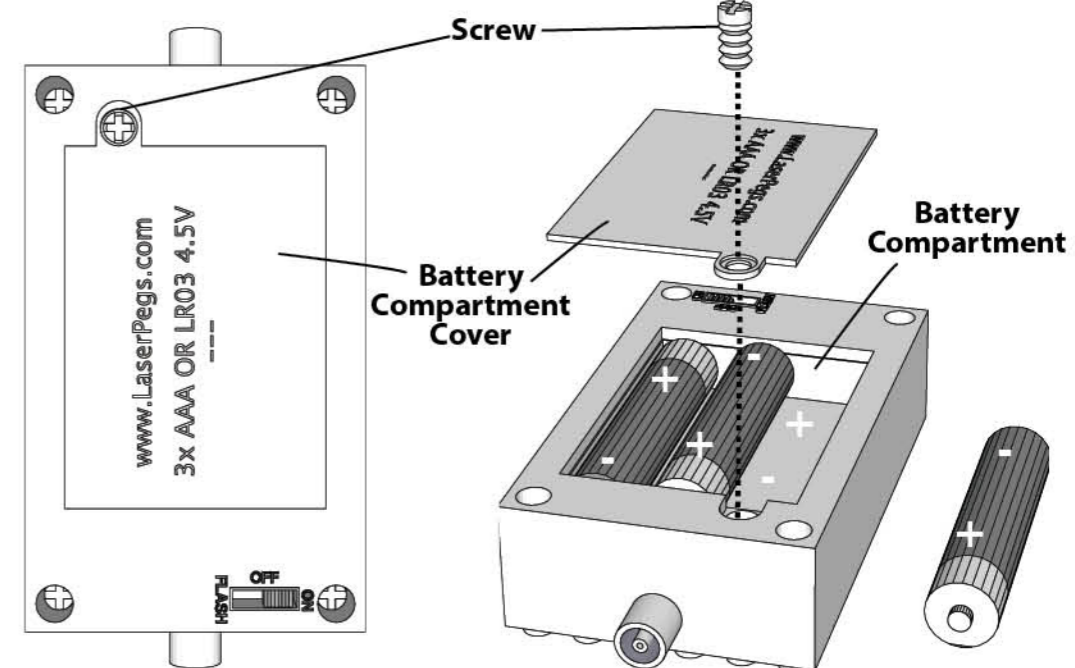
**WARNING: STROBE LIGHTS
MAY CAUSE SEIZURES**

WARNING! Each Laser Peg® draws current from the batteries. Therefore, the more pegs you use, the quicker you will deplete your battery power! As the power weakens, the current will slowly fail and some Laser Pegs® will illuminate (typically the reds and yellows) and some won't. When the Laser Pegs® dim, the Laser Pegs® are not broken, they just need stronger batteries. You have 2 simple options...
1. Change the batteries.
2. Use high quality batteries. They will last a little longer, but they will still deplete rapidly the more Laser Pegs® you connect!

Replacing Batteries

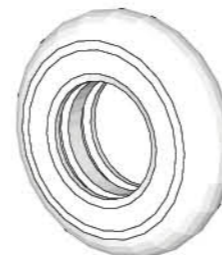
1. Remove Screw.
2. Lift off Battery Compartment Cover.
3. Place three (3) AAA batteries in the correct position - as displayed inside of the Power Block.
4. Replace Battery Compartment Cover and Screw.
5. Slide Power Switch setting to OFF/ON/FLASH.
6. Do not mix old and new batteries.
7. Do not mix alkaline, standard (carbon-zinc), or rechargeable (nickel-cadmium, NiMH) batteries!
8. Exhausted batteries are to be removed from the power base.
9. Never connect more than 30 Laser Pegs® at one time!
10. Non-rechargeable batteries are not to be recharged.
11. Rechargeable batteries are only to be recharged under adult supervision.
12. Rechargeable batteries are to be removed from the toy before being recharged.
13. Batteries are to be inserted with the correct polarity.
14. The supply terminals are not to be short-circuited.
15. DO NOT THROW BATTERIES INTO FIRE!

Remove the Phillips head screw with a 4mm screw driver.
**Requires 3-AAA Batteries
Batteries NOT Included**



Requires 3-AAA Batteries

Connecting the Laser Pegs® Tire to the Axle Peg

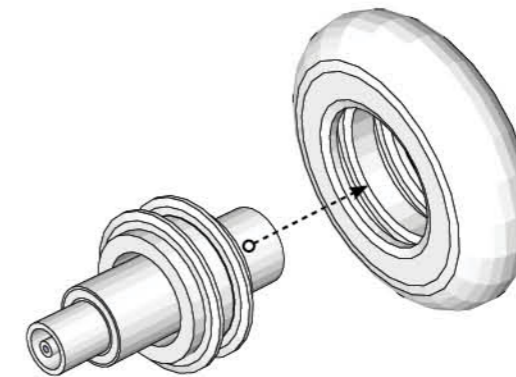


Tire

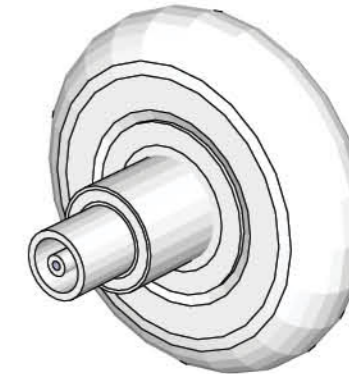


Axle Peg

Place Axle Peg through the Tire



Tire Peg

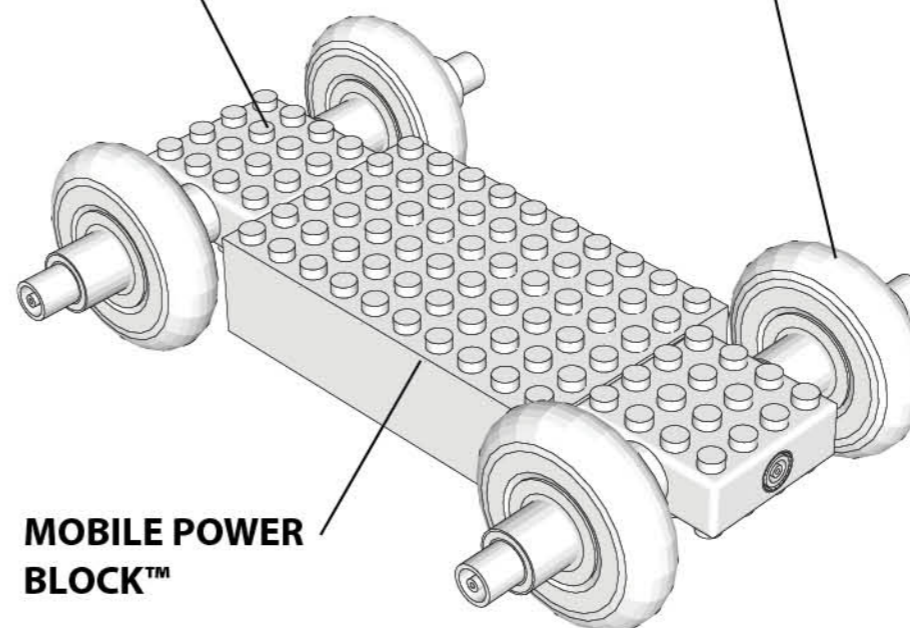


POWER BLOCK™

Use the Laser Pegs® Square M-M Peg to attach the Tire Pegs to the Power Block™.

Laser Pegs® Square M-M Peg

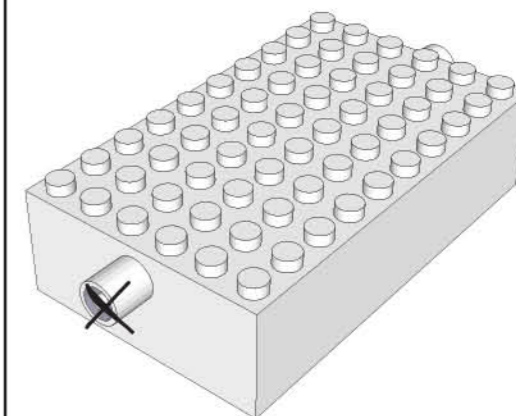
Tire Peg



**MOBILE POWER
BLOCK™**

AVOID DAMAGE TO PEG HOLES

*To avoid short-circuits, keep metal objects and other unauthorized materials from obstructing the peg holes.



Never connect more than 30 Laser Pegs® to the Power Block at one time.

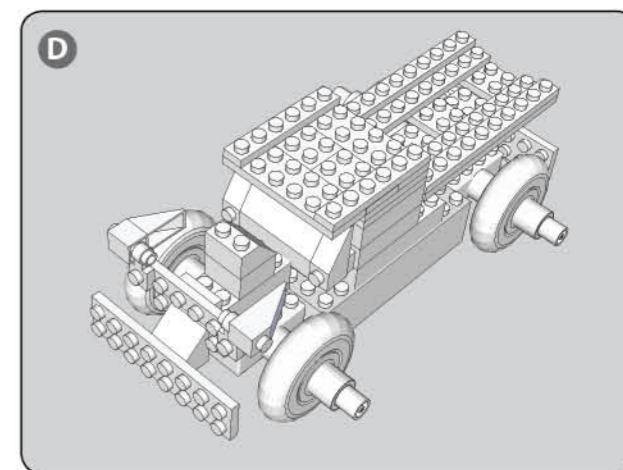
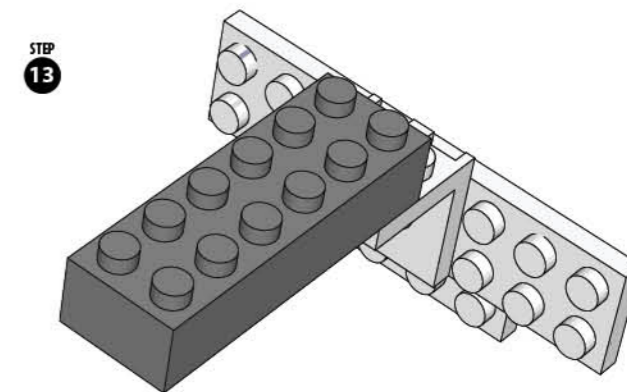
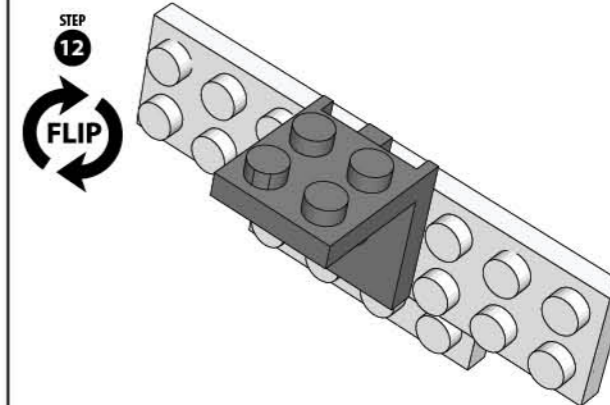
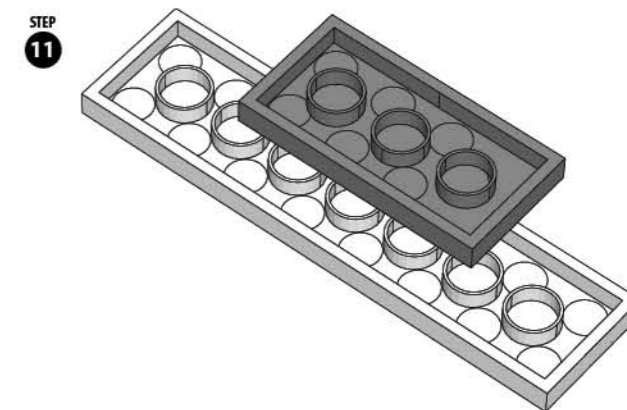
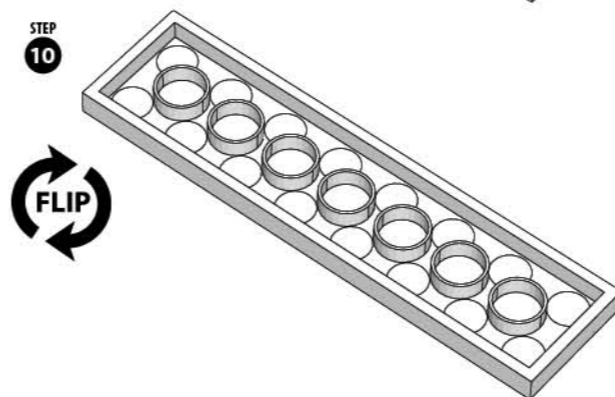
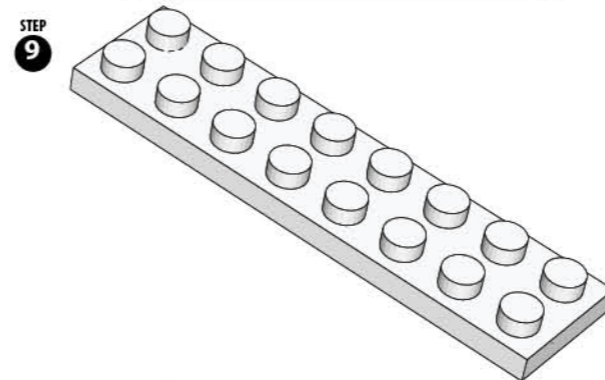
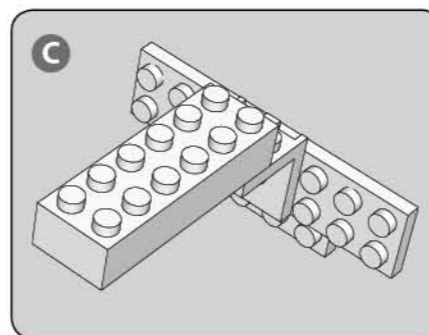
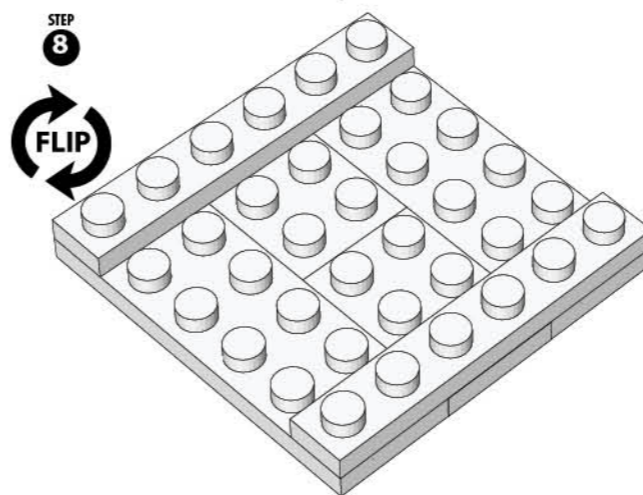
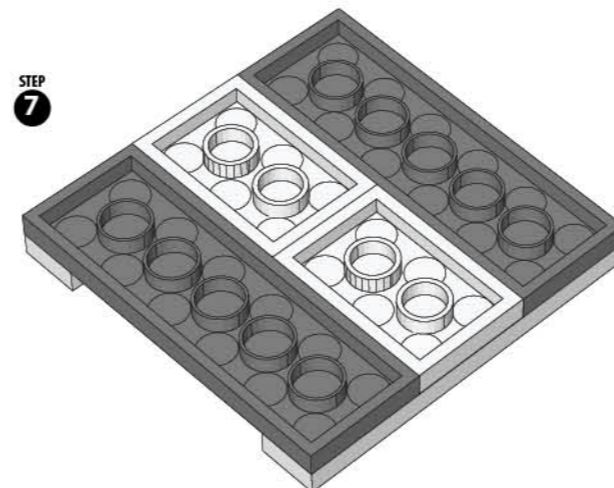
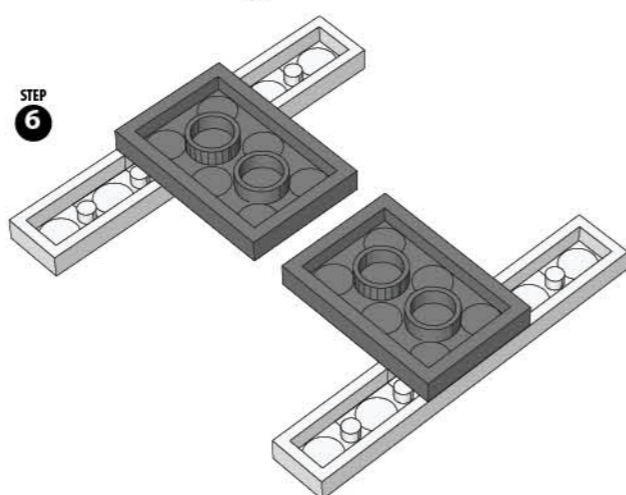
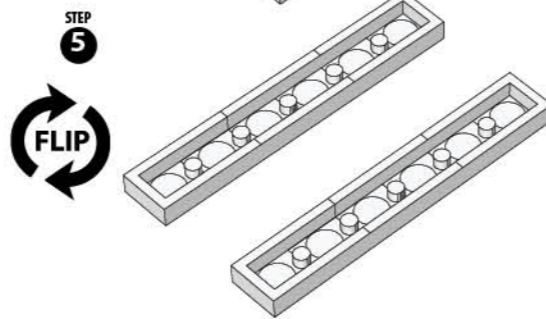
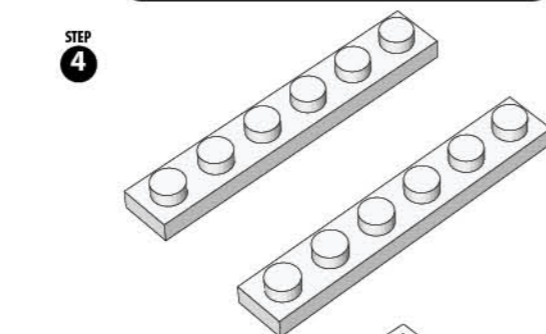
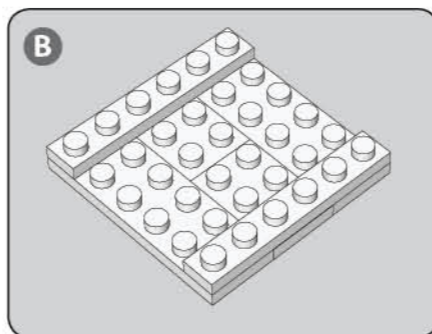
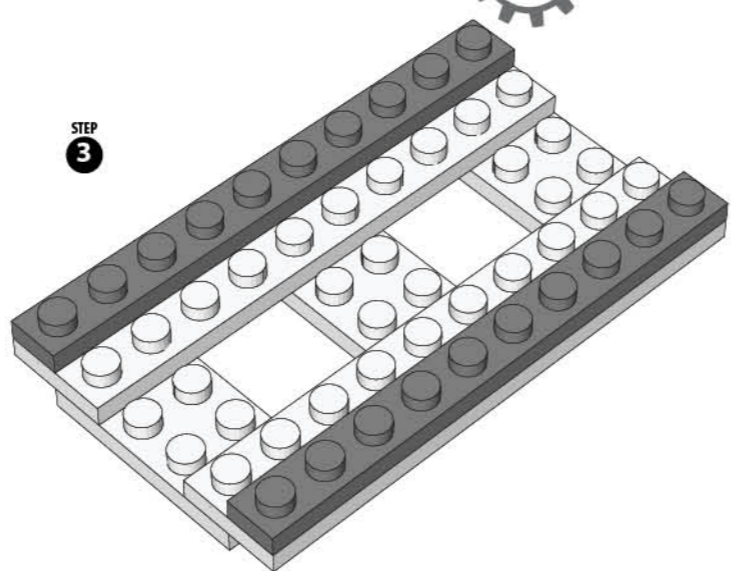
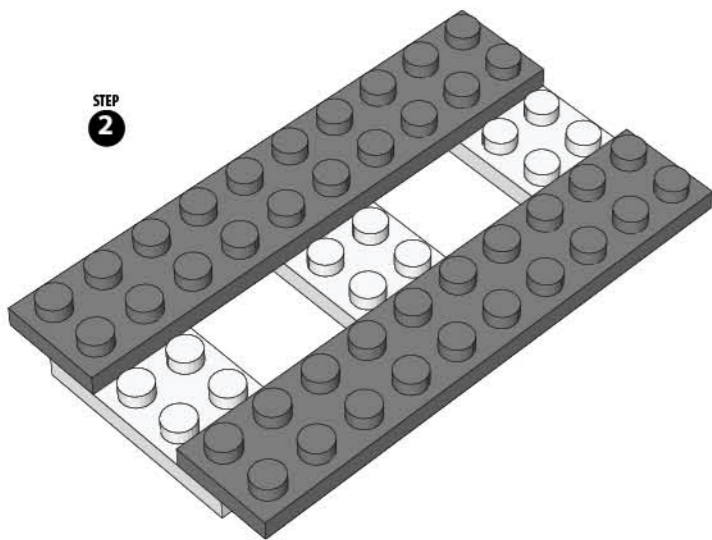
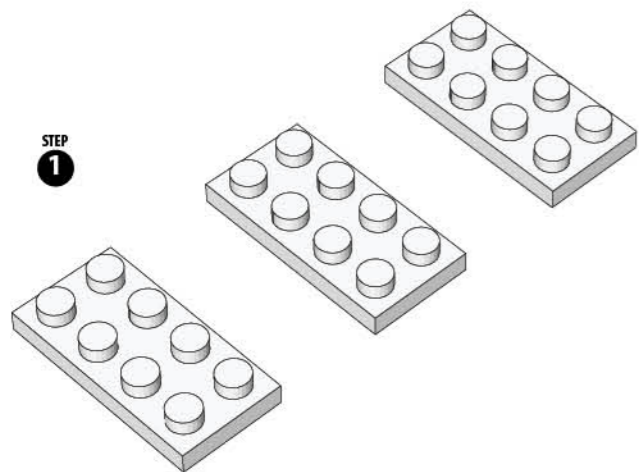
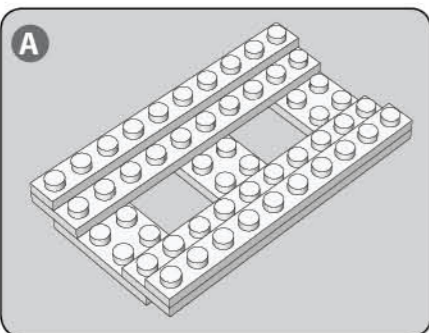
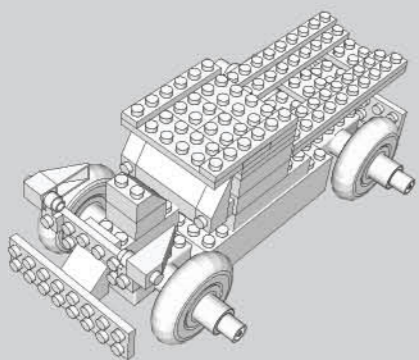
TRUCK ROD: Typically a late-1920s through to late-1950s pickup truck built without fenders, hoods, running boards, or bumpers, and are often customized with Maltese crosses, skulls, and other racing accessories.



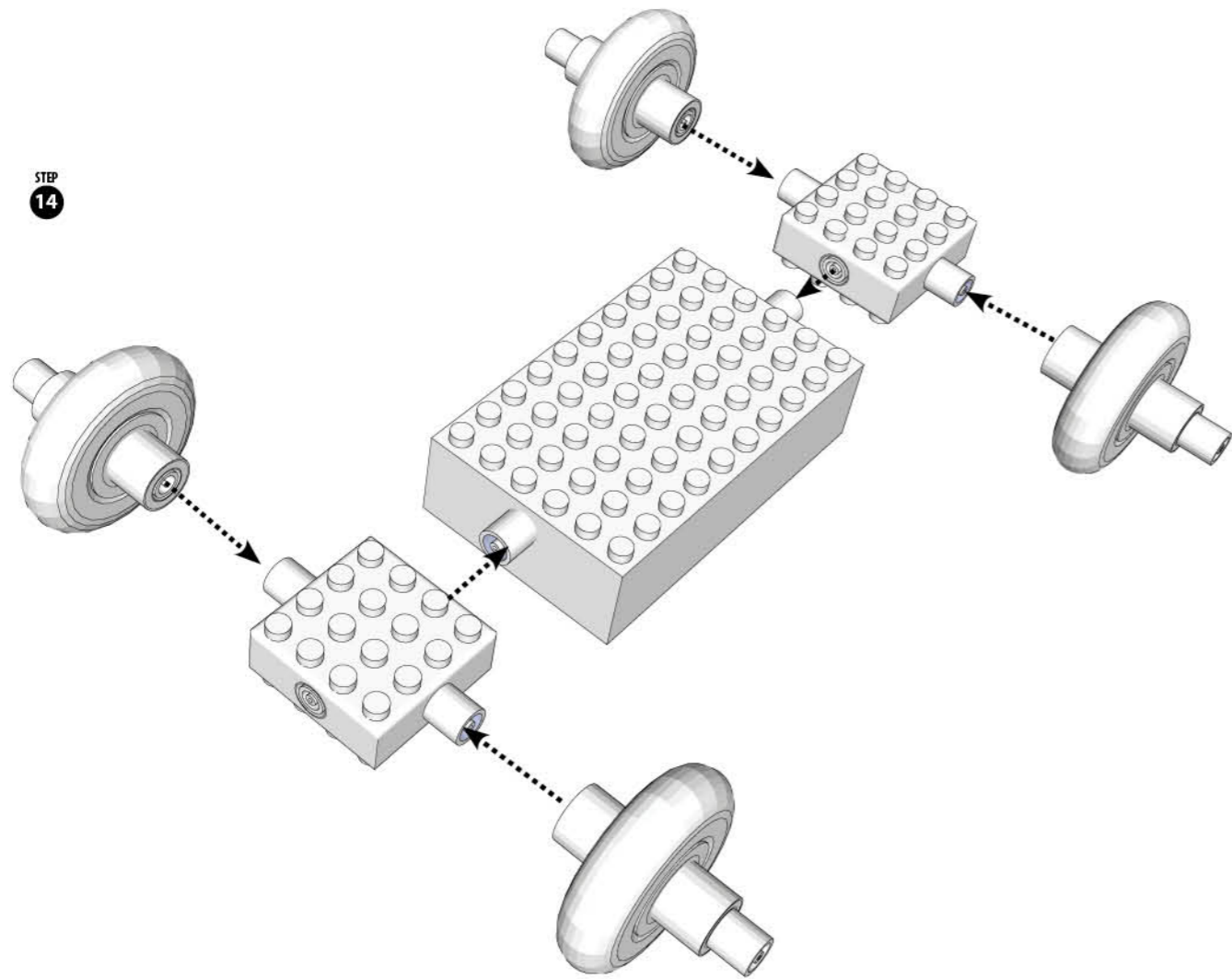
TRUCK ROD

Model
Difficulty
Level

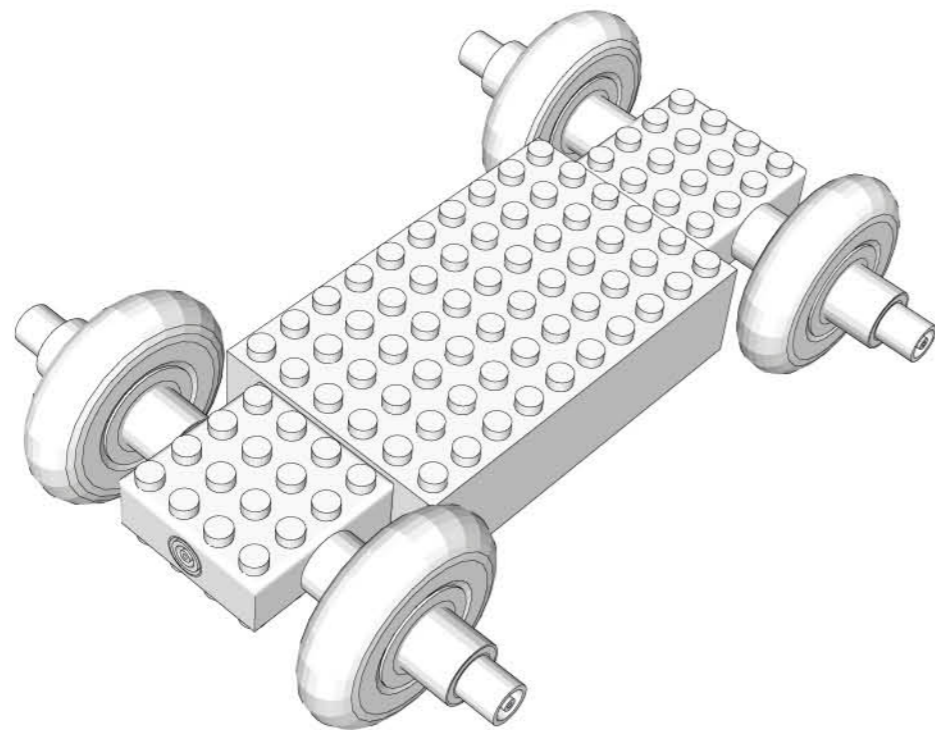
3



STEP
14



STEP
15

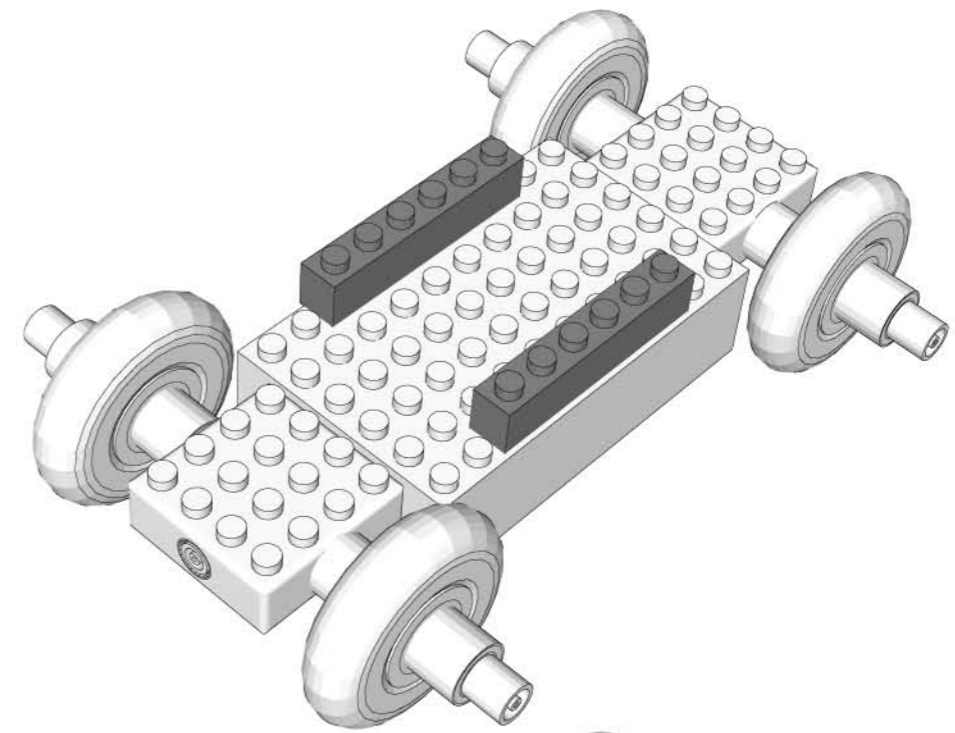


Environmental Phenomena

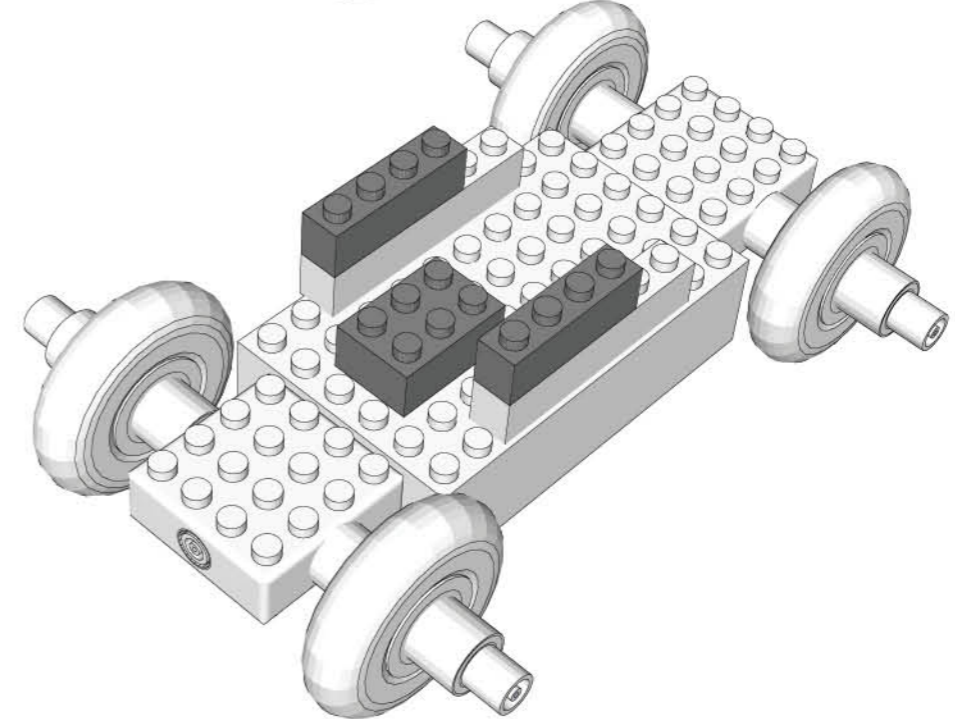
*The unit may malfunction if subjected to radio-frequency interference. It SHOULD revert to normal operation when the interference stops. If not, it may become necessary to turn the power off and back on, or remove and reinstall the batteries.

* In the unlikely event of an electrostatic discharge, the unit may malfunction and lose memory, requiring the user to reset the device by removing and reinstalling the batteries.

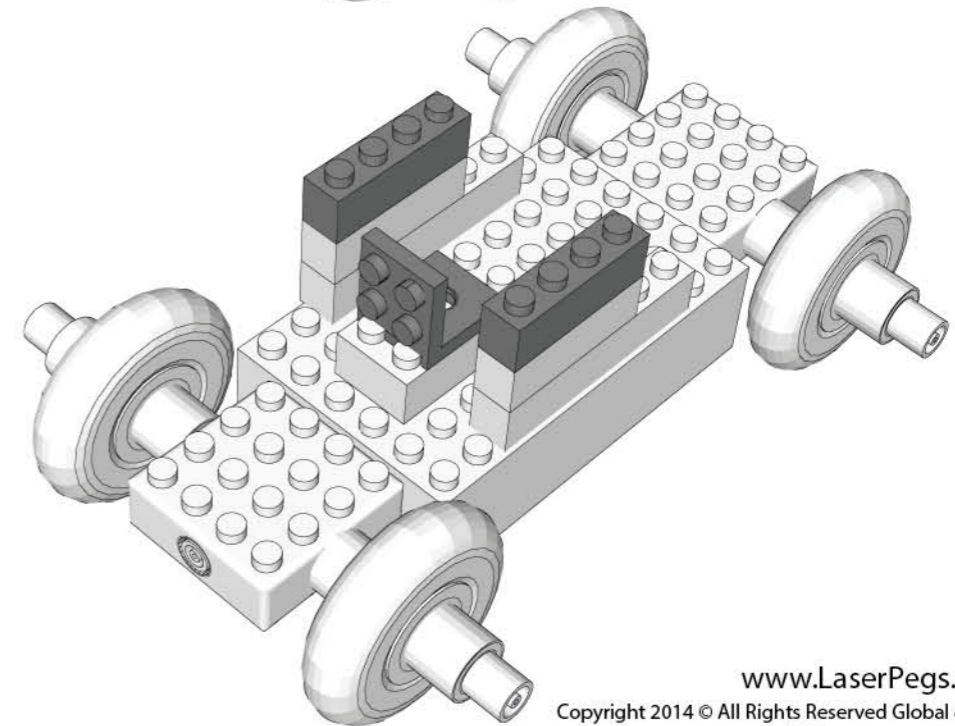
STEP
16



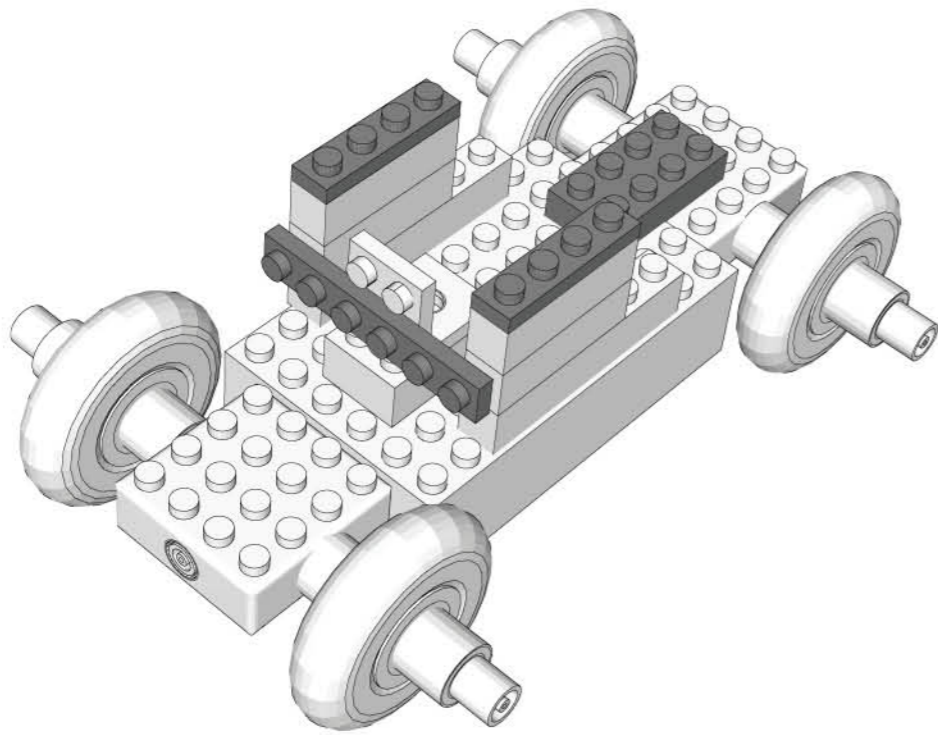
STEP
17



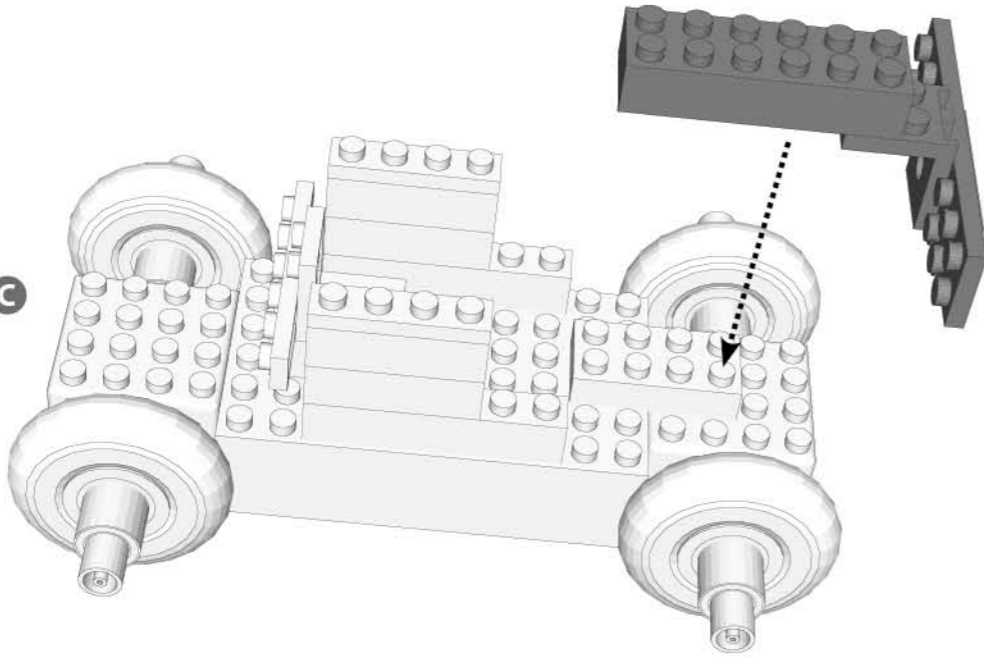
STEP
18



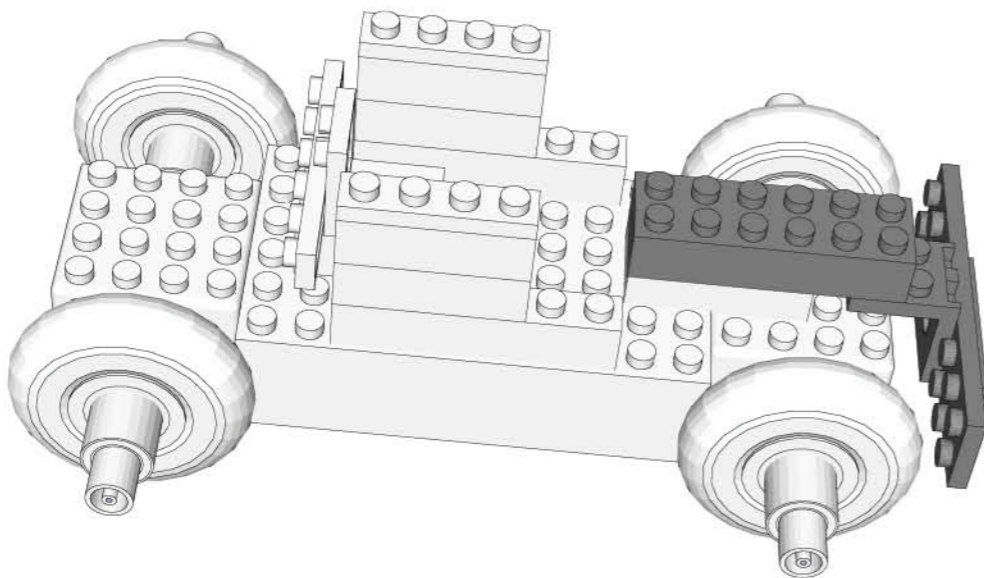
STEP 19



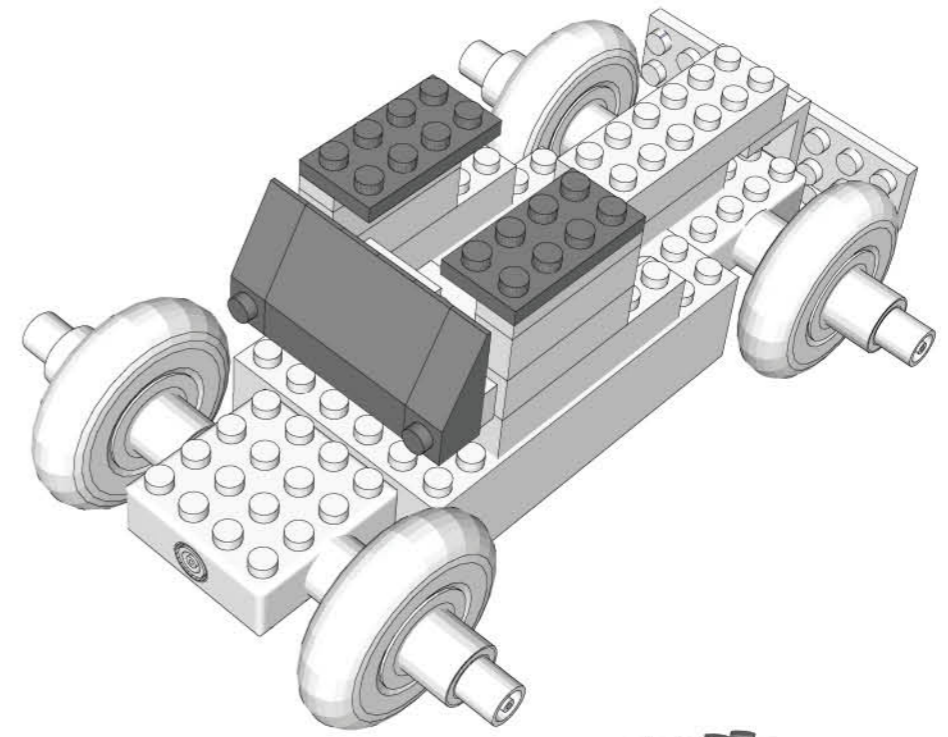
STEP 20 COMBINE C



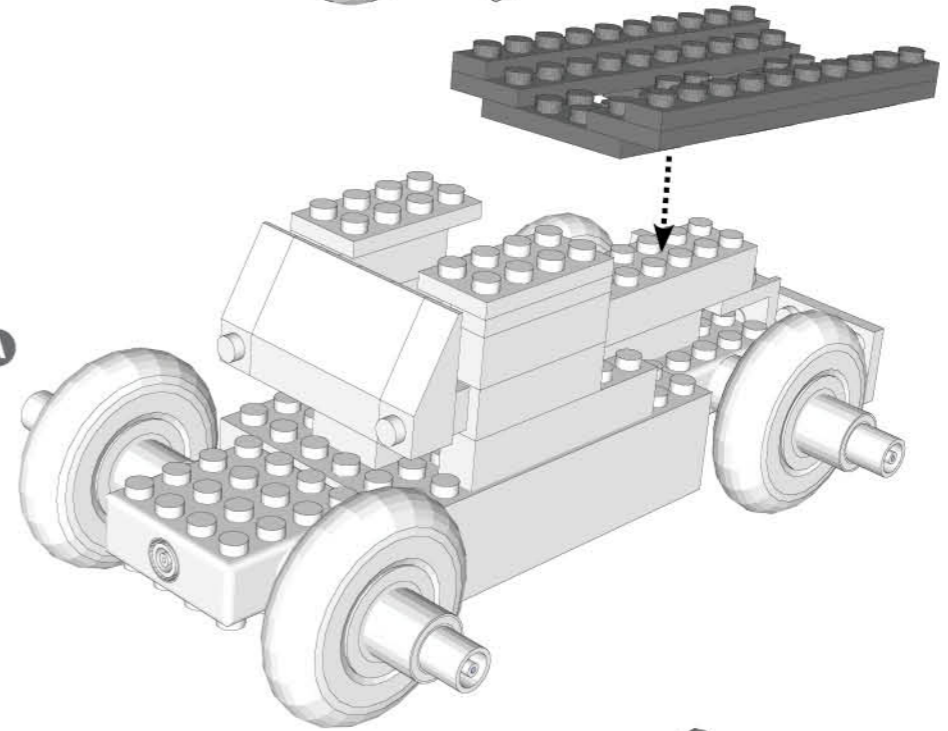
STEP 21



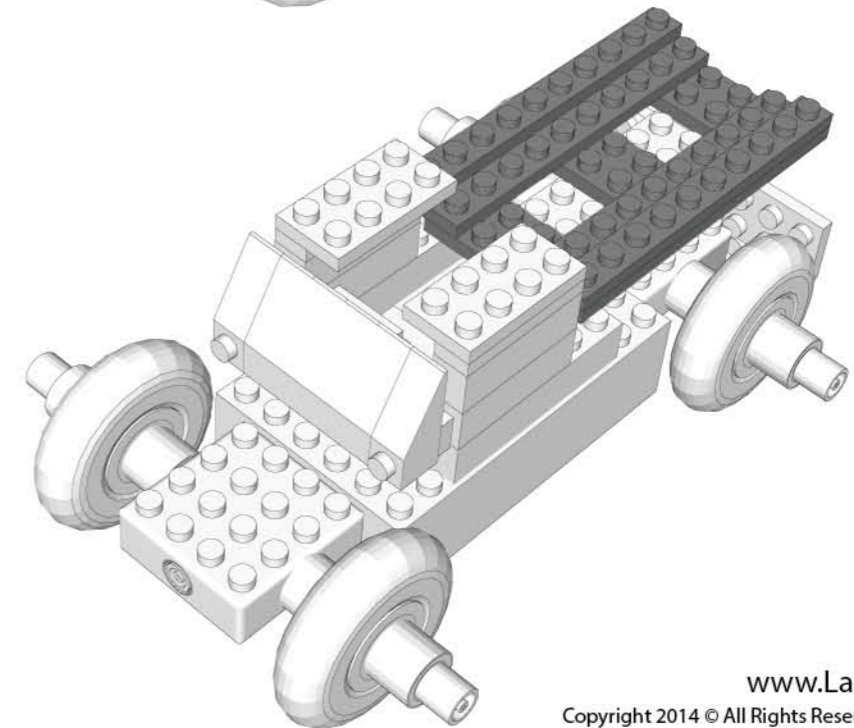
STEP 22



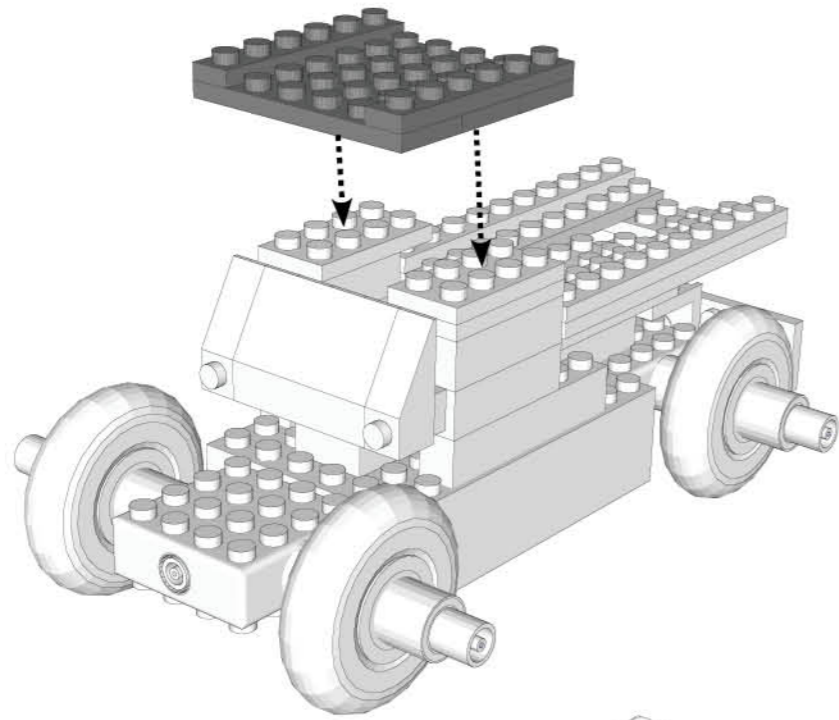
STEP 23 COMBINE A



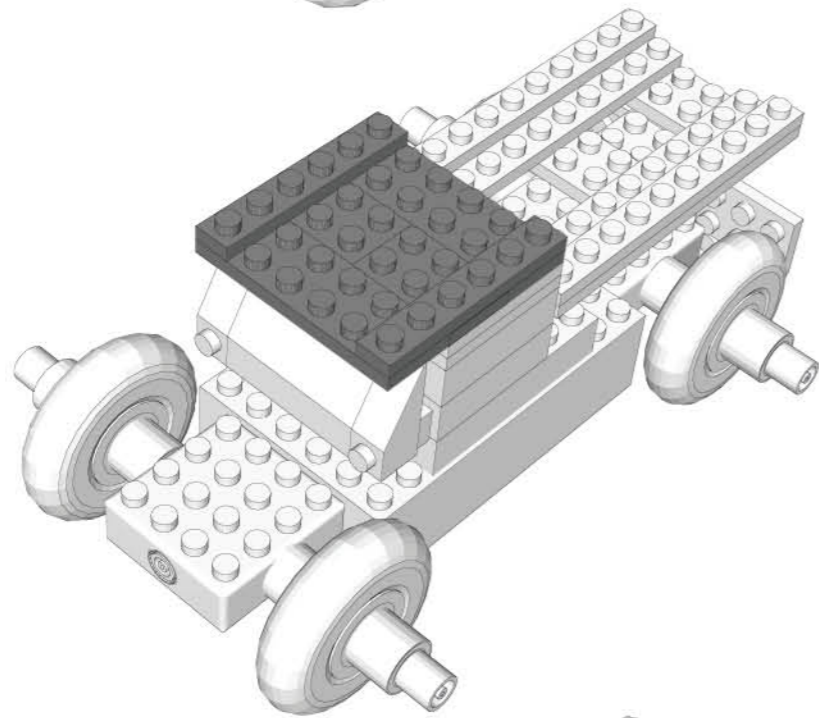
STEP 24



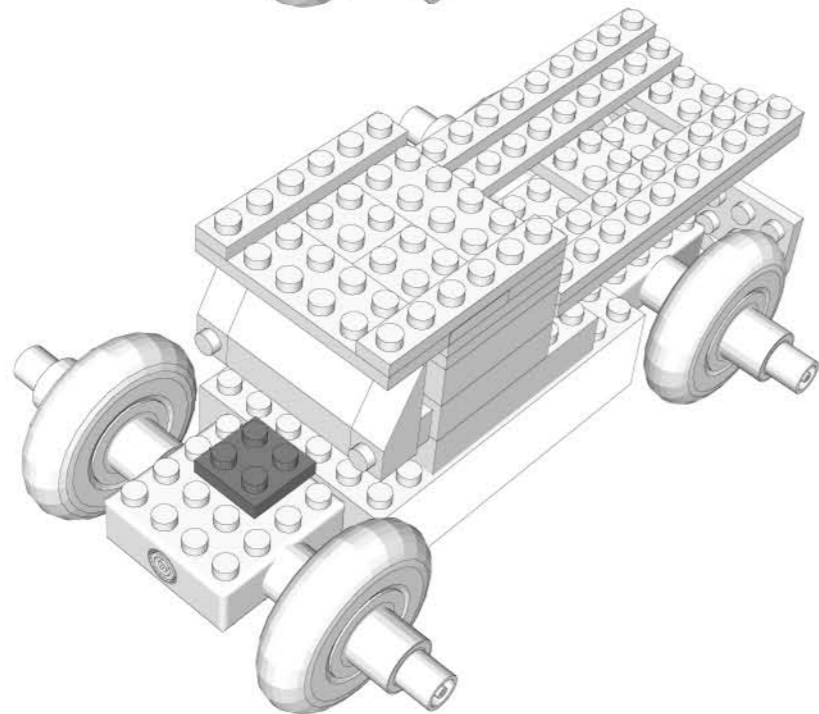
STEP 25 COMBINE B



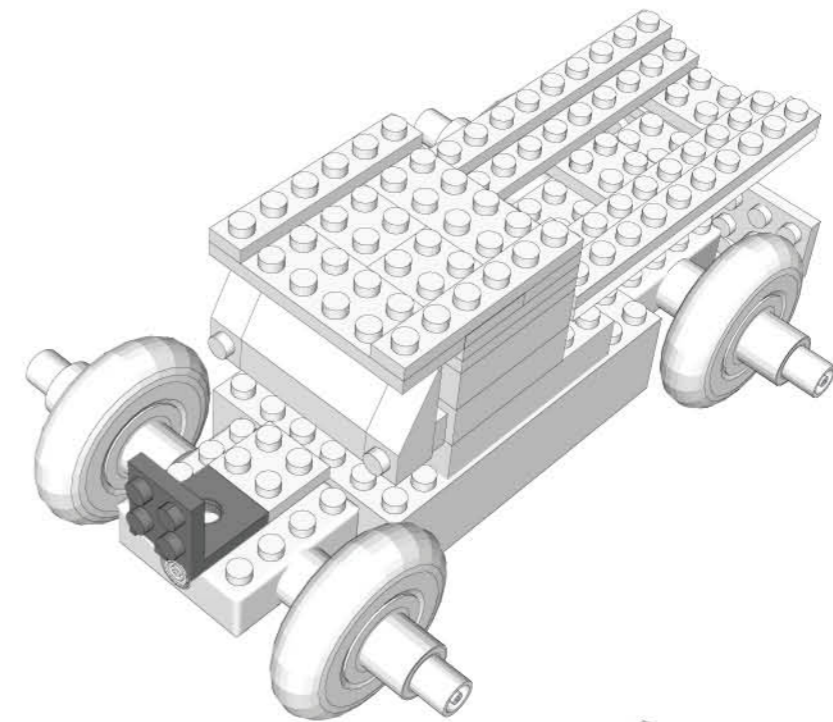
STEP 26



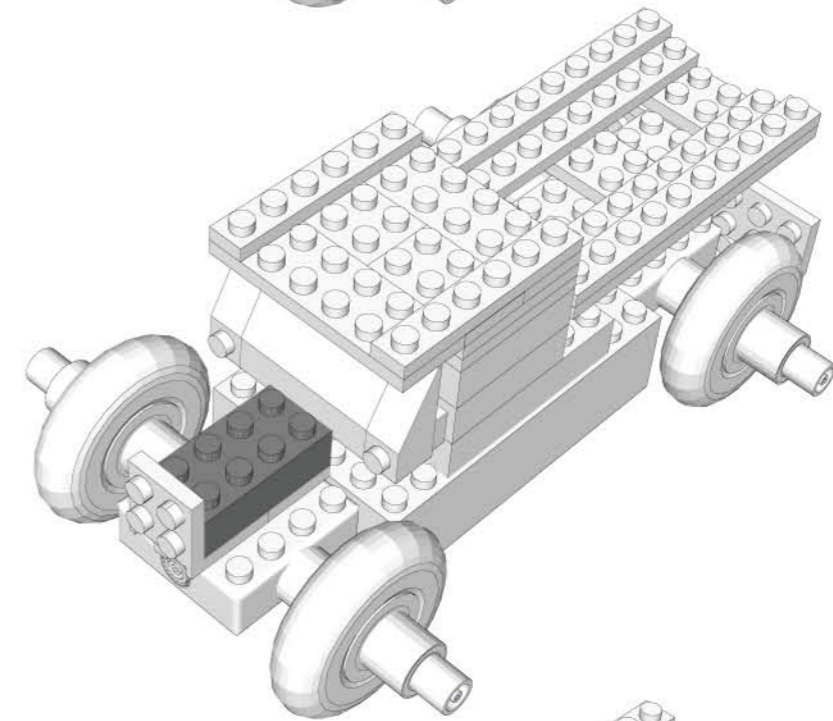
STEP 27



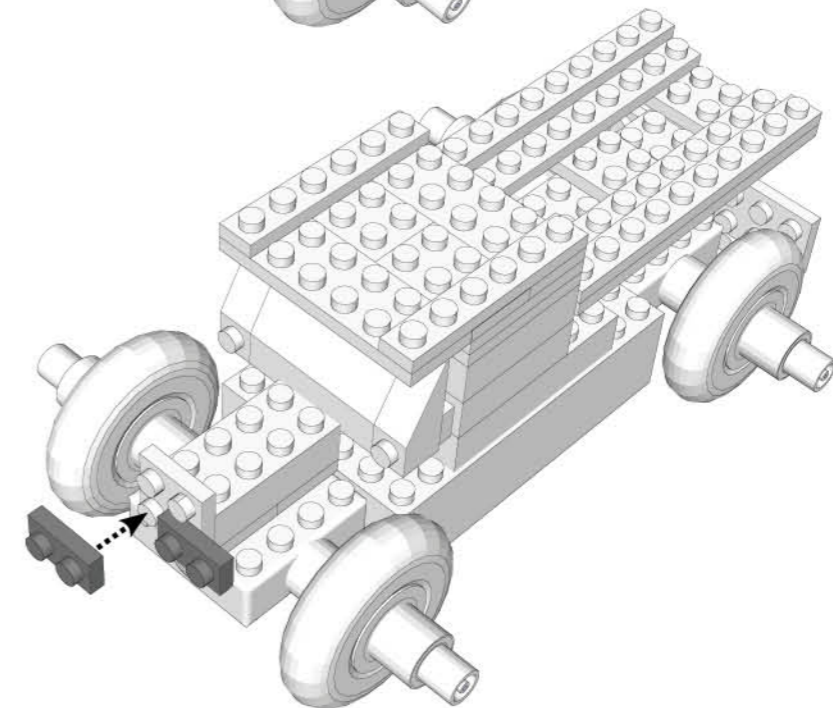
STEP 28



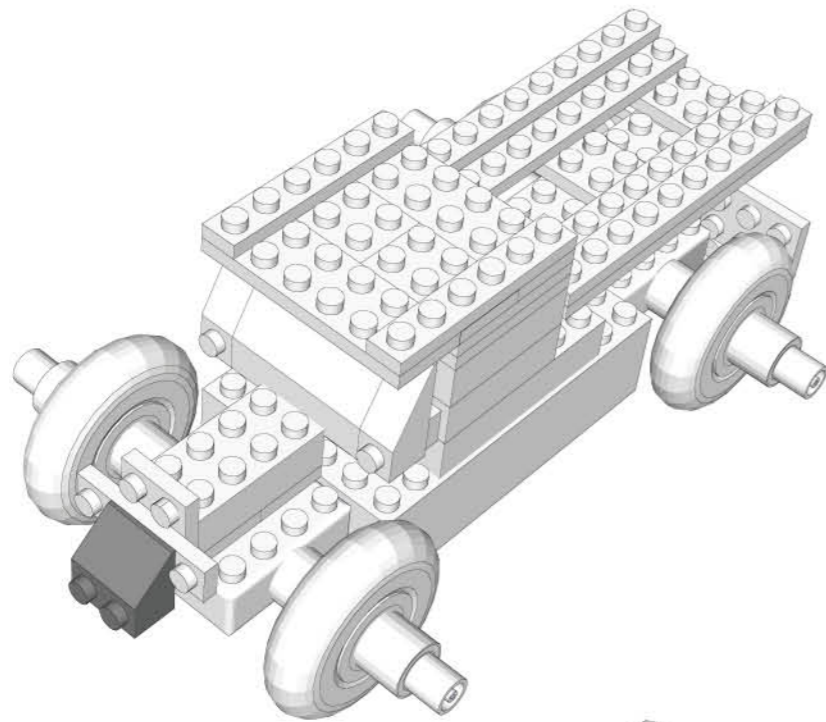
STEP 29



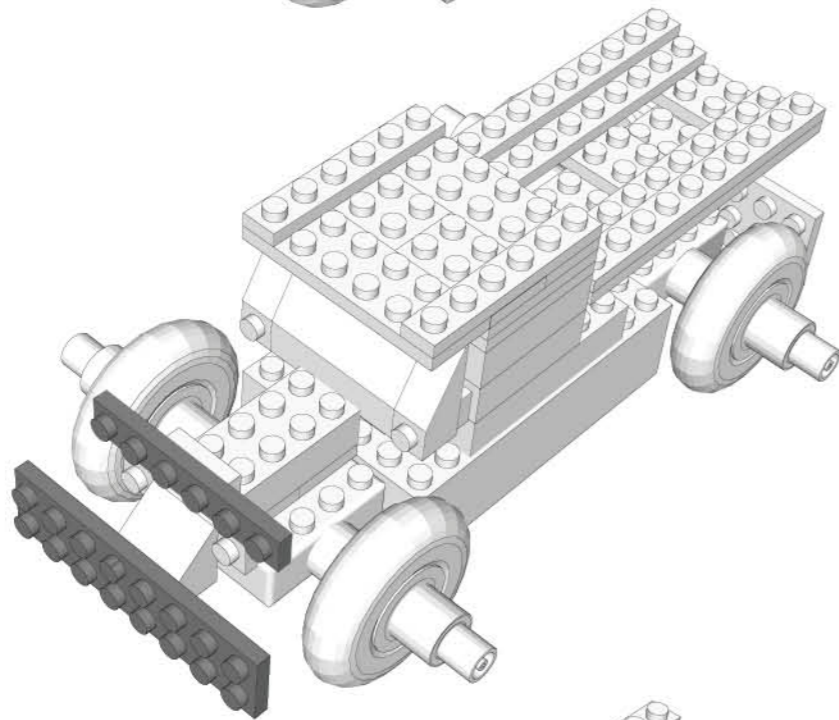
STEP 30



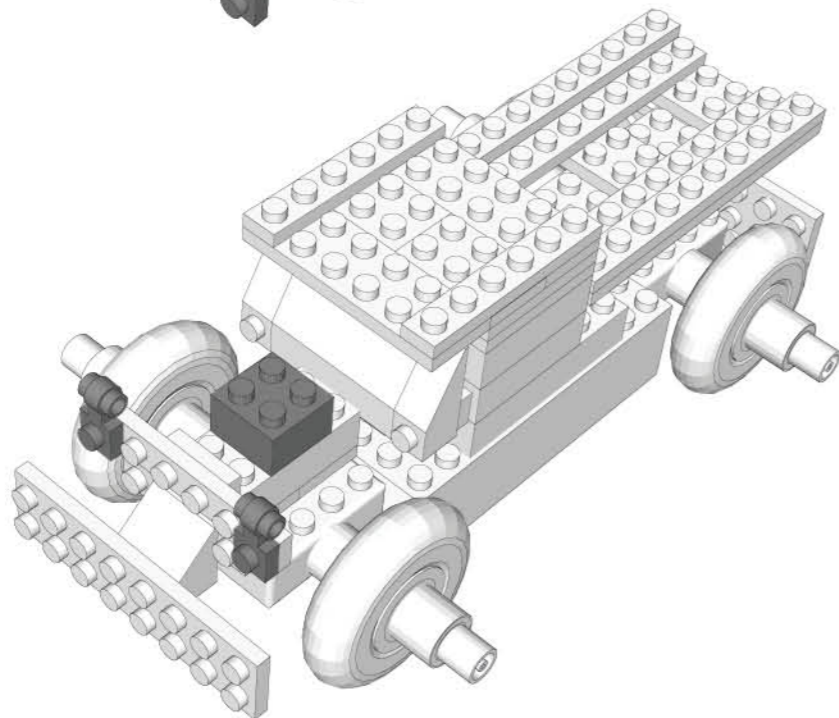
STEP 31



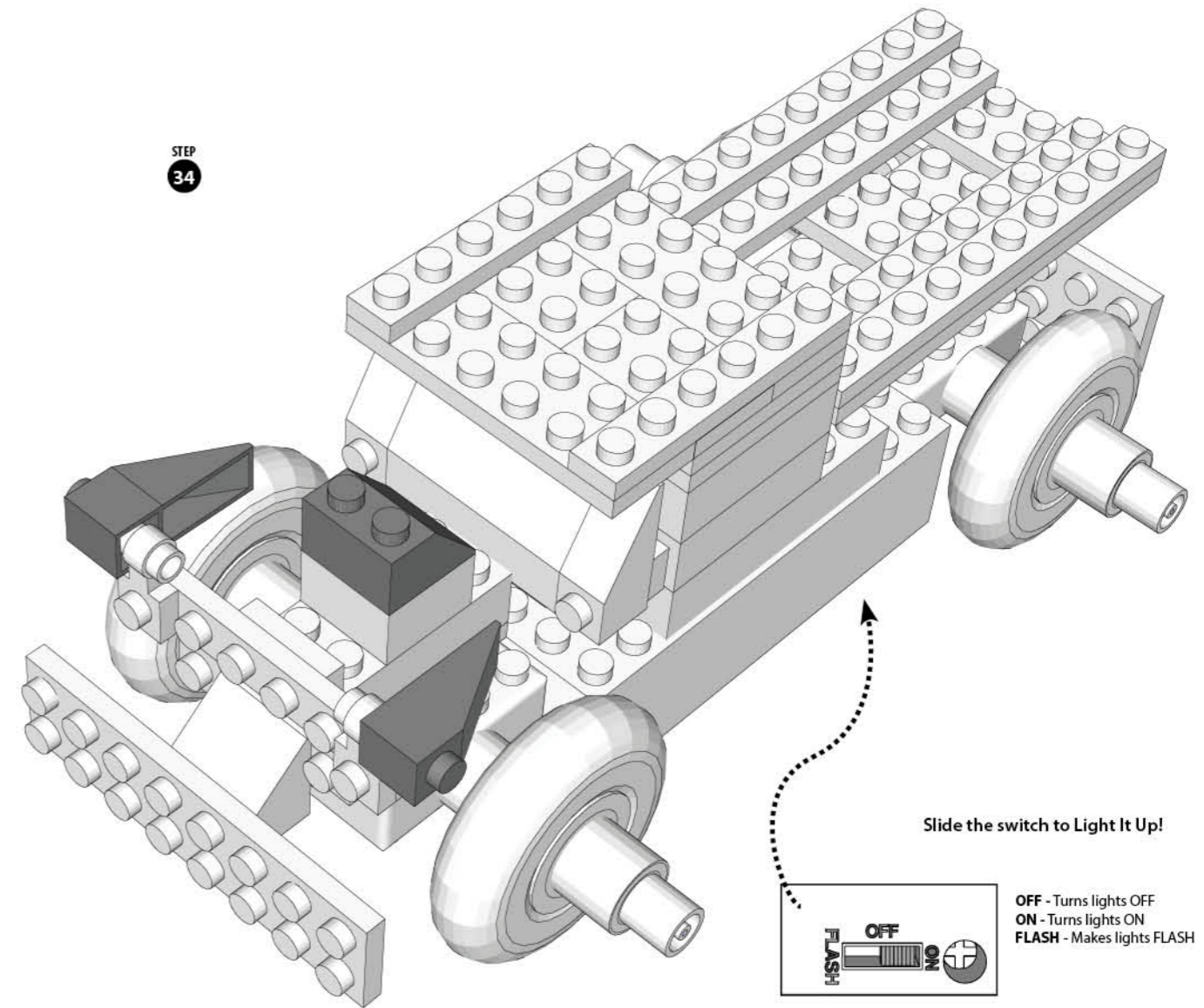
STEP 32



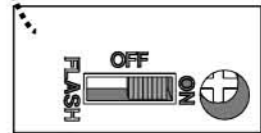
STEP 33



STEP 34



Slide the switch to Light It Up!



OFF - Turns lights OFF
ON - Turns lights ON
FLASH - Makes lights FLASH

Laser Pegs® CARES
Questions? Comments?
For additional compliance info:
1-866-432-3735
Contact: Support@LaserPegs.com

MADE IN CHINA

www.LaserPegs.com
Copyright 2014 © All Rights Reserved Global & Multiple Patents Pending.
US Patent #7,731,558

LASER PEGS®

The Ultimate Construction Toy For Kids®

PBI430B

POWER BLOCK

TRUCK Series

Ages 5+

8 Models+
Any creation you can build

LIGHTED
MOBILE POWER BLOCK™ SET
INCLUDES:

- 100 Tinted Bricks
- 4 Tire Pegs
- 2 Square M-M Pegs
- 1 Mobile Power Block™

Requires 3 AAA Batteries

Batteries NOT
Included

EN71, RoHS COMPLIANT

This product complies to
all safety requirements
of ASTM F 963

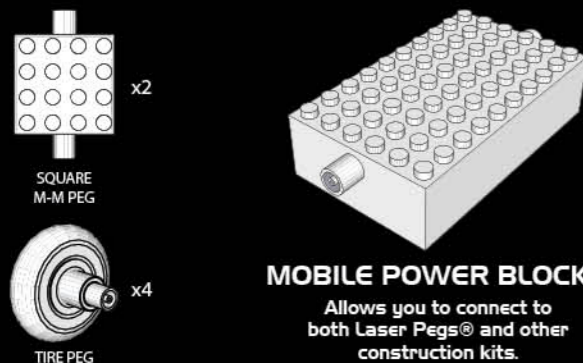
DO NOT SUBMERGE IN WATER

WARNING: CHOKING HAZARD-Small parts.
Not for children under 3 yrs.
Do not submerge in water.

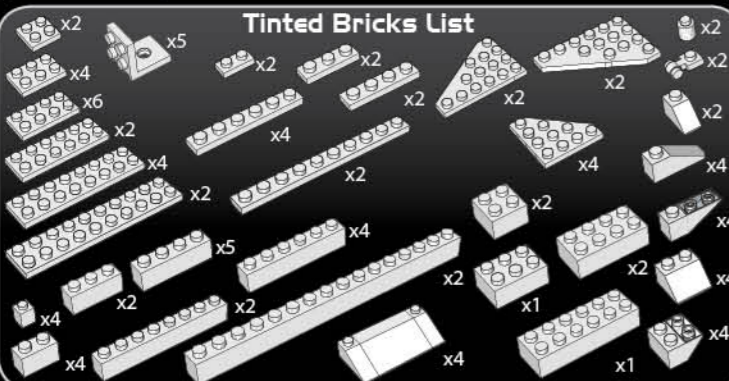
MODEL INSTRUCTIONS

All additional model instructions can
be downloaded at www.LaserPegs.com

Laser Pegs® Parts List



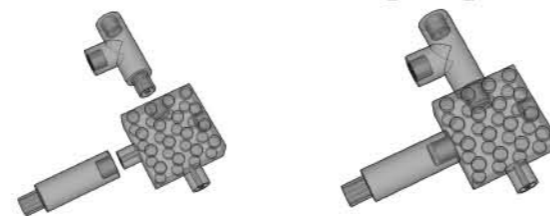
Color Code Each Laser Peg® is color coded on the circuit board inside each shape.



www.LaserPegs.com

This manual is copyright and cannot be reproduced or used online without Laser Pegs® Ventures LLC permission. Copyright 2014 © All Rights Reserved US Patent #7,731,558 Additional Global & Multiple Patents Pending. Laser Pegs® Ventures LLC, 8304 Consumer Ct., Sarasota FL 34240. Contact: Support@LaserPegs.com

Connecting Pegs



To construct with Laser Pegs®, slide two pieces together to form a connection. Slide each piece on and off smoothly.

POWER BLOCK

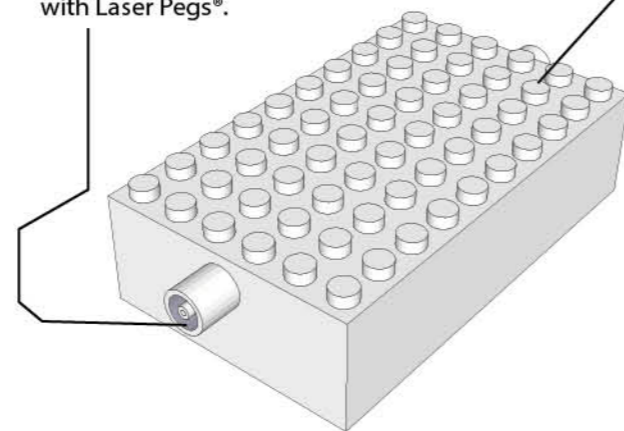
The Power Block is a Power Base that allows you to build with Laser Pegs® and construction parts to build models that light up. It is battery operated. (BATTERIES NOT INCLUDED.)

Laser Pegs® Connections

Allows you to construct with Laser Pegs®.

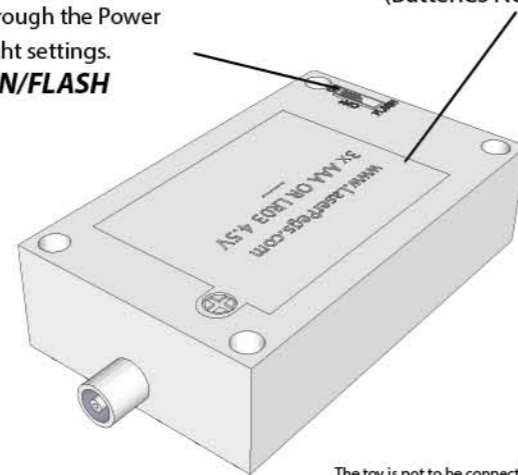
Construction Part Connections

Allows you to connect to other construction kits.



Power Switch

Move the Power Switch to cycle through the Power Block light settings.
OFF/ON/FLASH

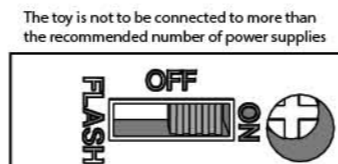


Battery Compartment

Requires 3-AAA Batteries (Batteries Not Included)

LIGHT SETTINGS

OFF - Turns lights OFF
ON - Turns lights ON
FLASH - Makes lights FLASH



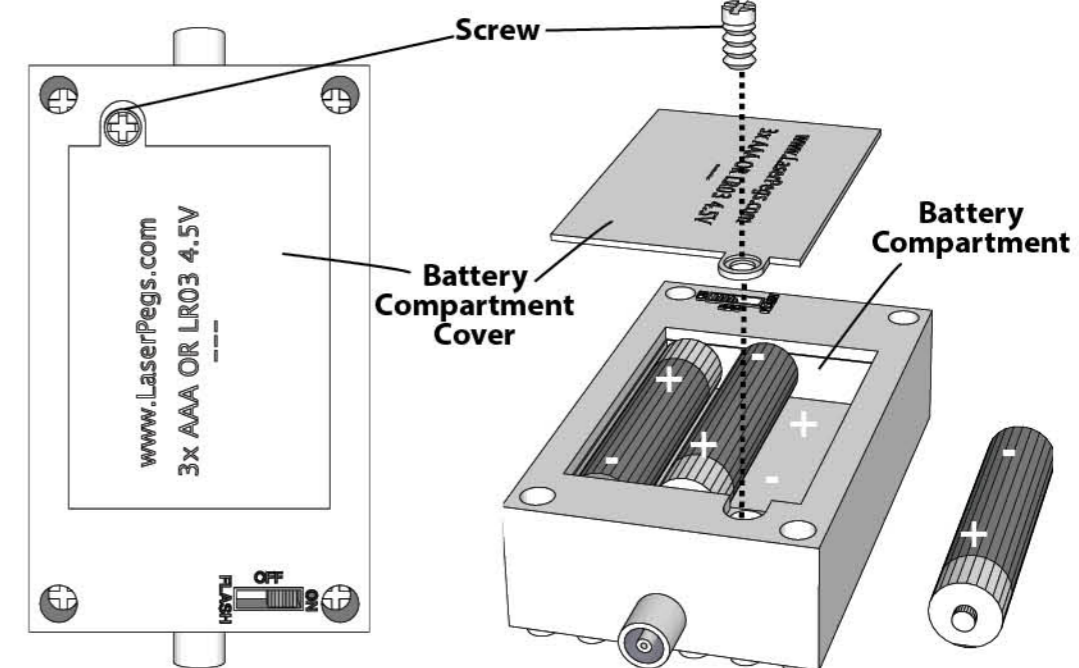
WARNING: STROBE LIGHTS MAY CAUSE SEIZURES

WARNING! Each Laser Peg® draws current from the batteries. Therefore, the more pegs you use, the quicker you will deplete your battery power! As the power weakens, the current will slowly fail and some Laser Pegs® will illuminate (typically the reds and yellows) and some won't. When the Laser Pegs® dim, the Laser Pegs® are not broken, they just need stronger batteries. You have 2 simple options...
1. Change the batteries.
2. Use high quality batteries. They will last a little longer, but they will still deplete rapidly the more Laser Pegs® you connect!

Replacing Batteries

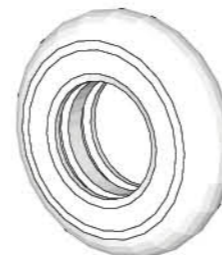
1. Remove Screw.
2. Lift off Battery Compartment Cover.
3. Place three (3) AAA batteries in the correct position - as displayed inside of the Power Block.
4. Replace Battery Compartment Cover and Screw.
5. Slide Power Switch setting to OFF/ON/FLASH.
6. Do not mix old and new batteries.
7. Do not mix alkaline, standard (carbon-zinc), or rechargeable (nickel-cadmium, NiMH) batteries!
8. Exhausted batteries are to be removed from the power base.
9. Never connect more than 30 Laser Pegs® at one time!
10. Non-rechargeable batteries are not to be recharged.
11. Rechargeable batteries are only to be recharged under adult supervision.
12. Rechargeable batteries are to be removed from the toy before being recharged.
13. Batteries are to be inserted with the correct polarity.
14. The supply terminals are not to be short-circuited.
15. DO NOT THROW BATTERIES INTO FIRE!

Remove the Phillips head screw with a 4mm screw driver.
Requires 3-AAA Batteries
Batteries NOT Included



Requires 3-AAA Batteries

Connecting the Laser Pegs® Tire to the Axle Peg

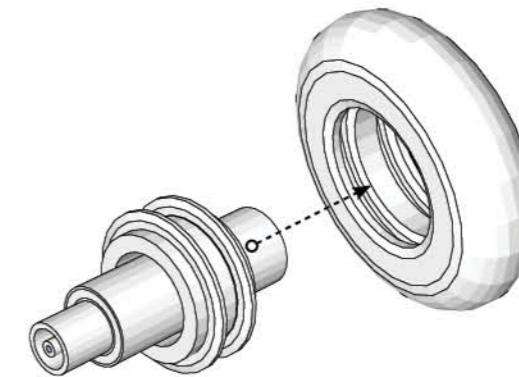


Tire

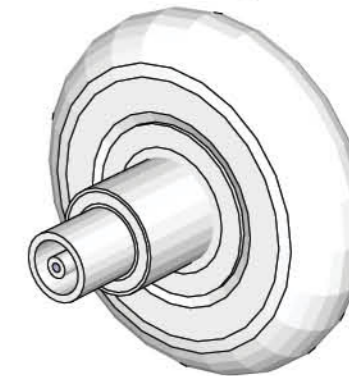


Axle Peg

Place Axle Peg through the Tire



Tire Peg

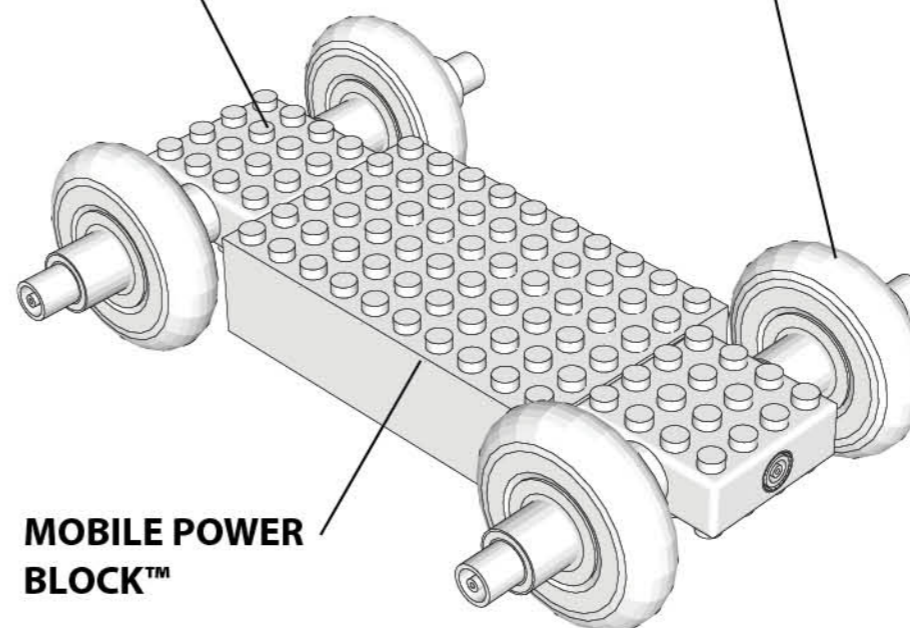


POWER BLOCK™

Use the Laser Pegs® Square M-M Peg to attach the Tire Pegs to the Power Block™.

Laser Pegs® Square M-M Peg

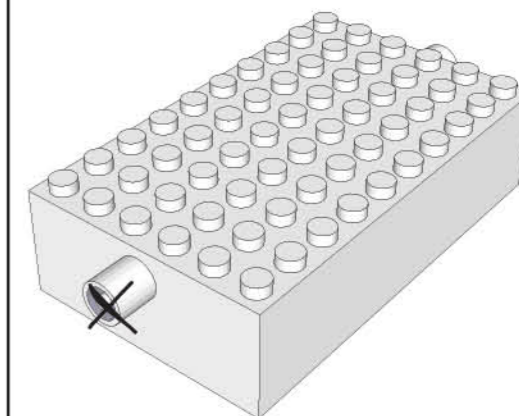
Tire Peg



MOBILE POWER BLOCK™

AVOID DAMAGE TO PEG HOLES

*To avoid short-circuits, keep metal objects and other unauthorized materials from obstructing the peg holes.



Never connect more than 30 Laser Pegs® to the Power Block at one time.

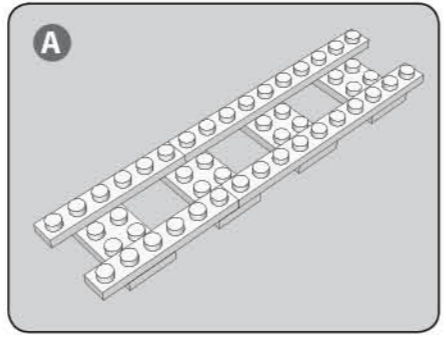
WORK TRUCK: A vehicle used for carrying goods and heavy materials such as tools, equipment, ladders, and other construction supplies.



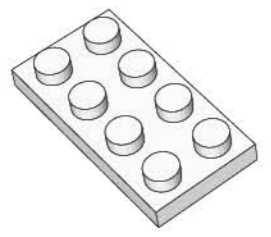
WORK TRUCK

Model
Difficulty
Level

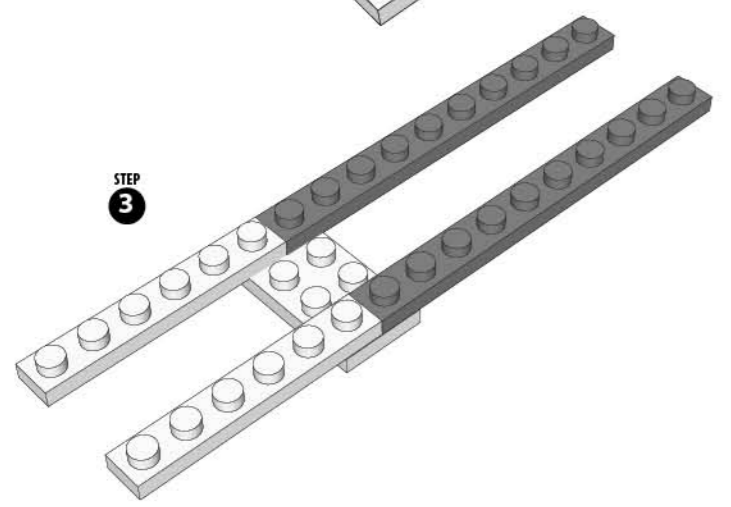
2



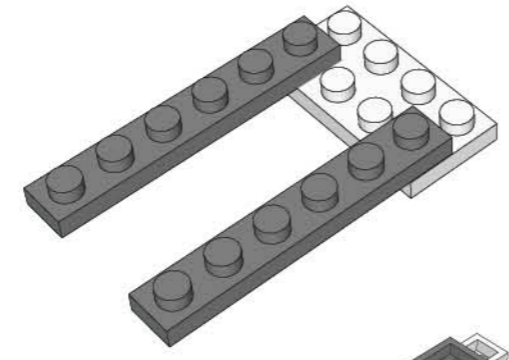
STEP 1



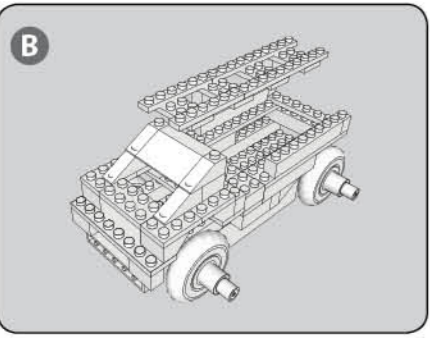
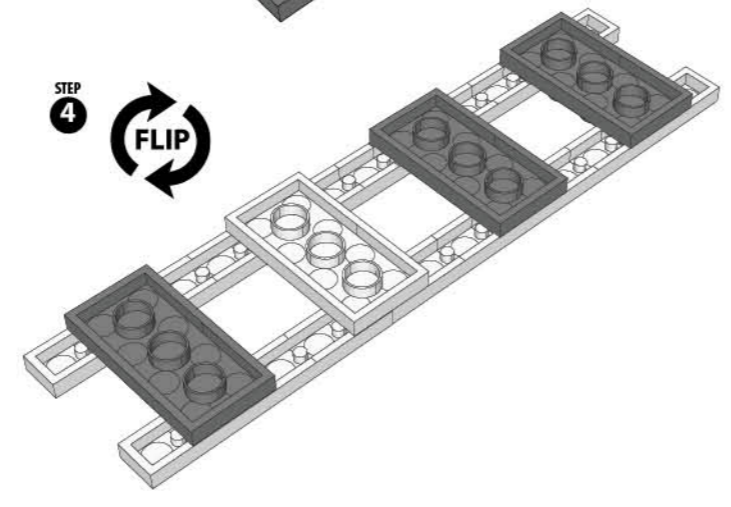
STEP 3



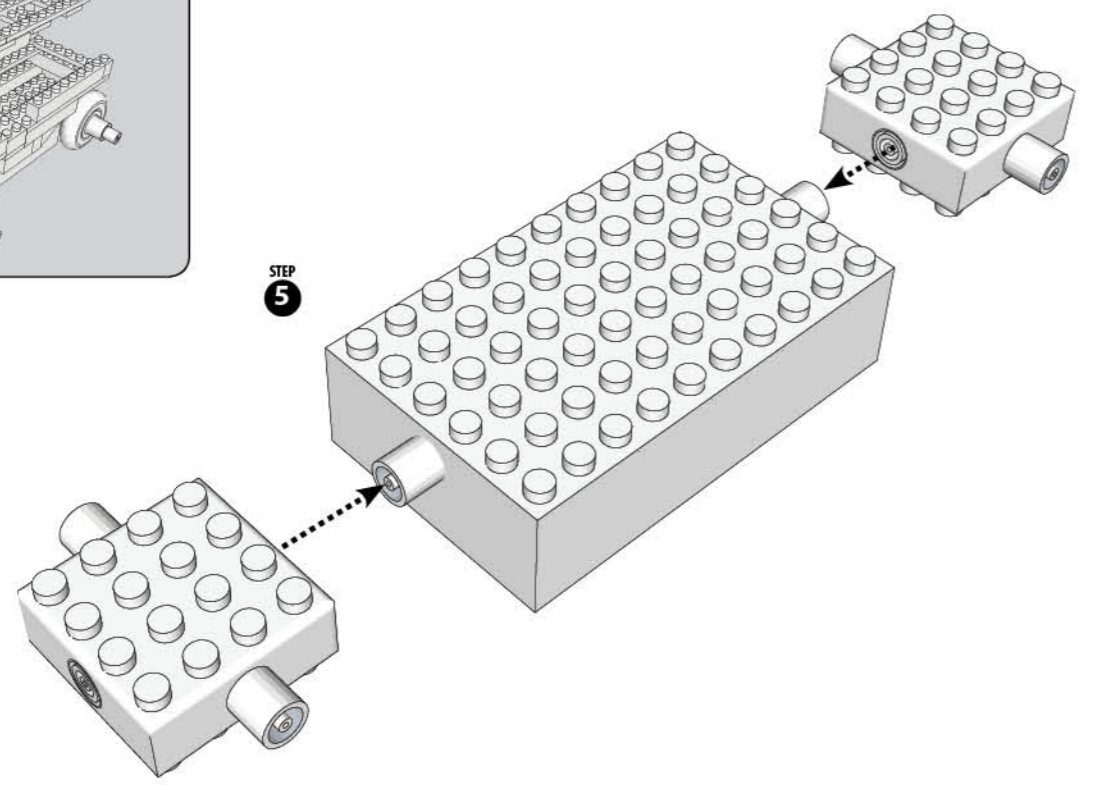
STEP 2



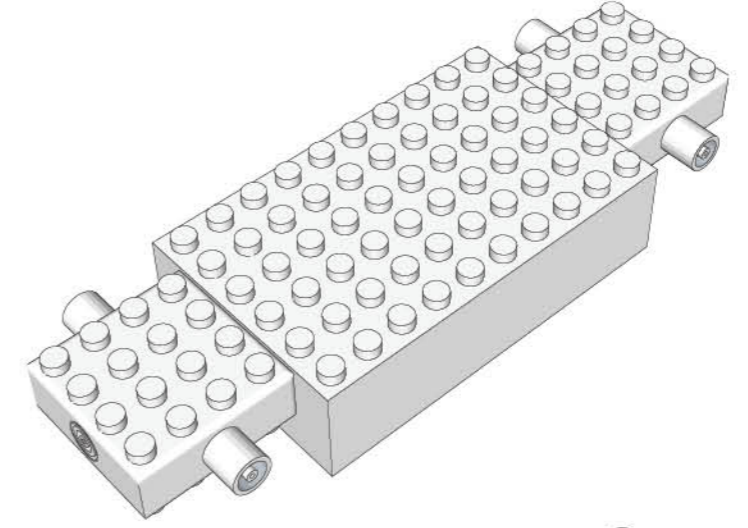
STEP 4



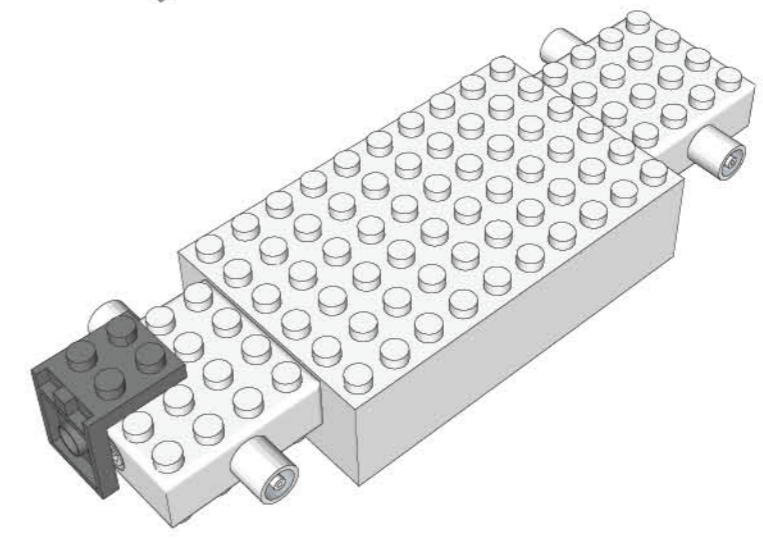
STEP 5



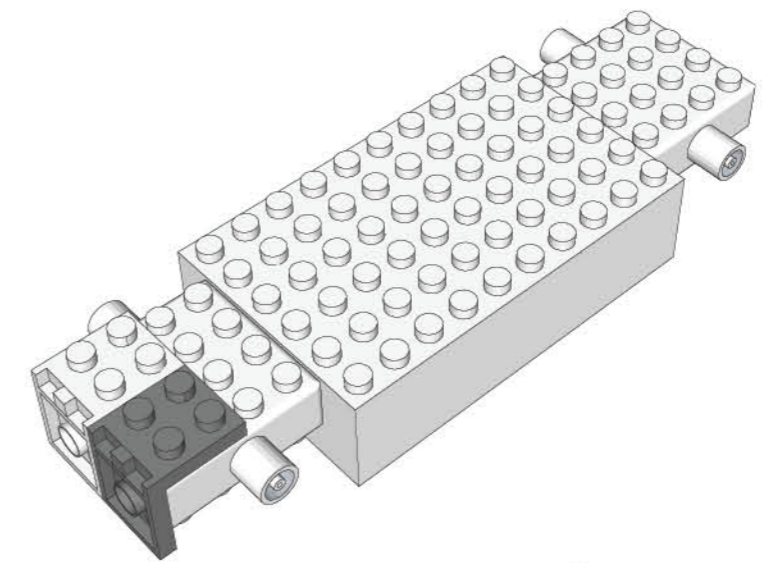
STEP 6



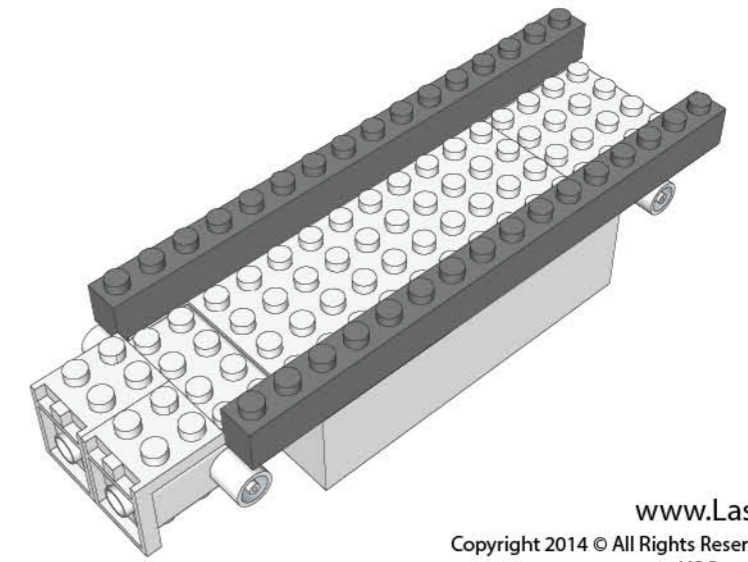
STEP 7



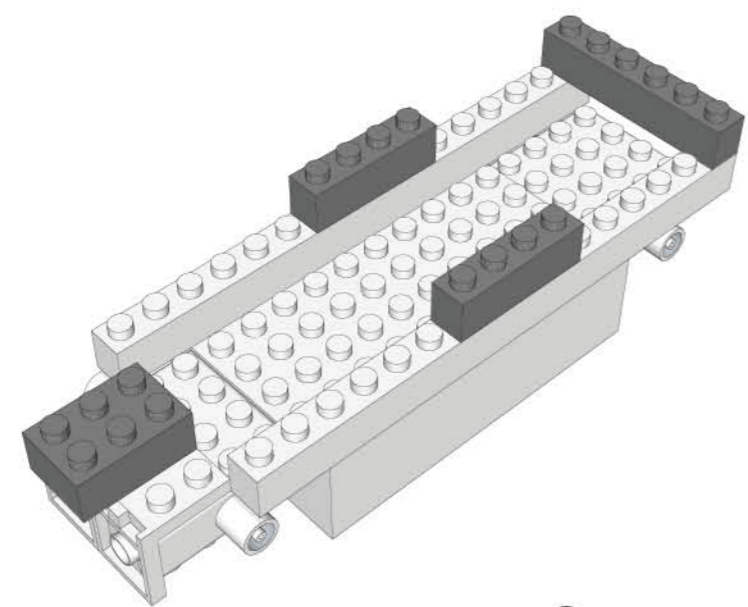
STEP 8



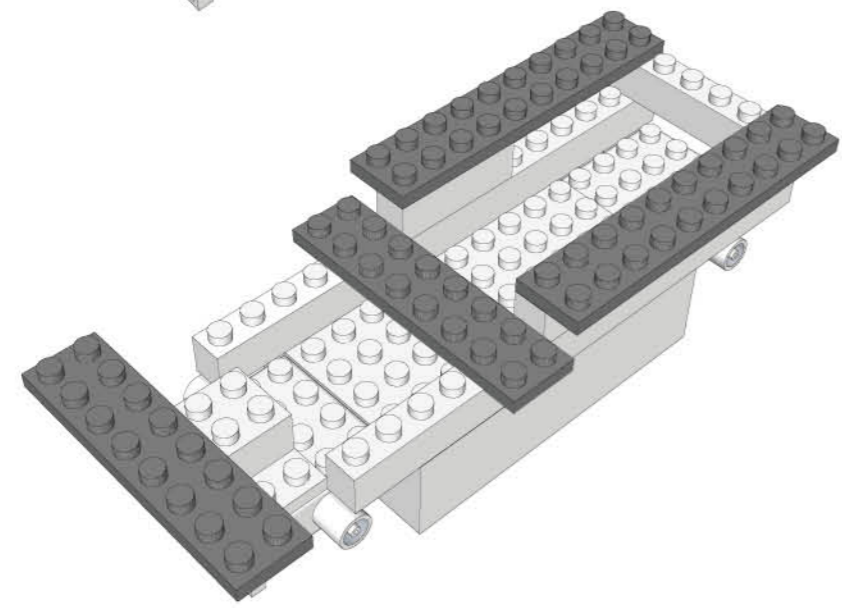
STEP 9



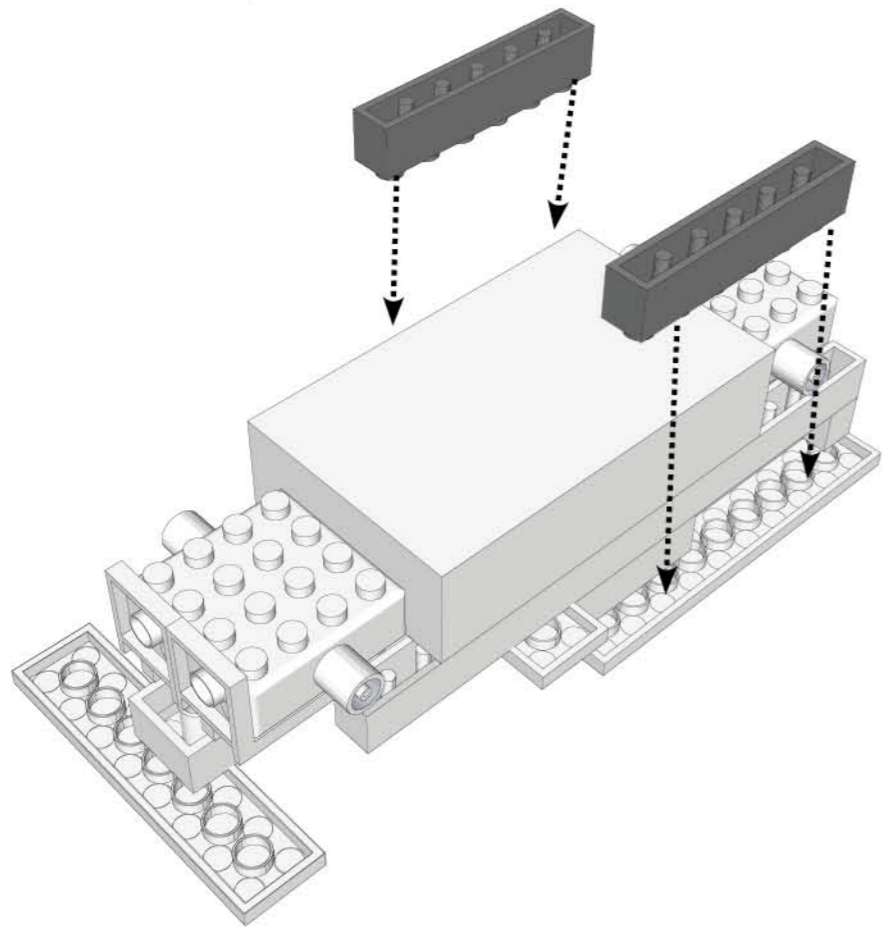
STEP 10



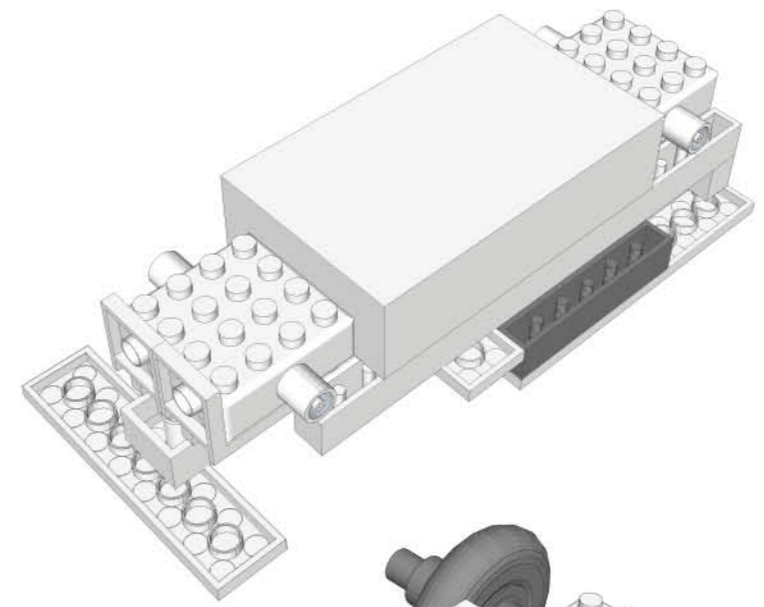
STEP 11



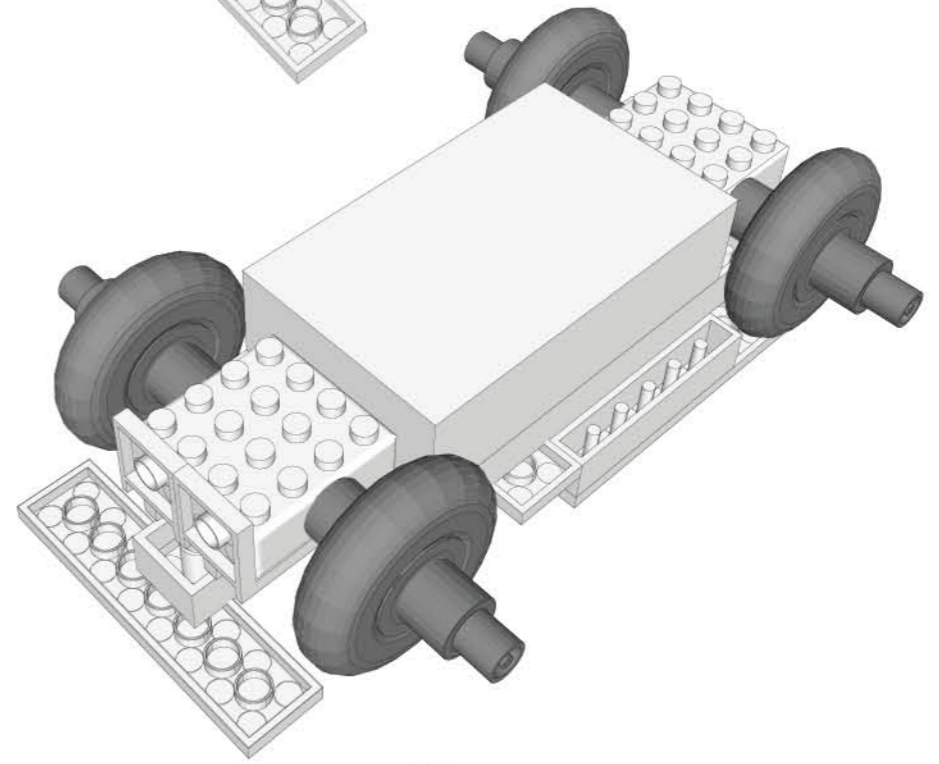
STEP 12



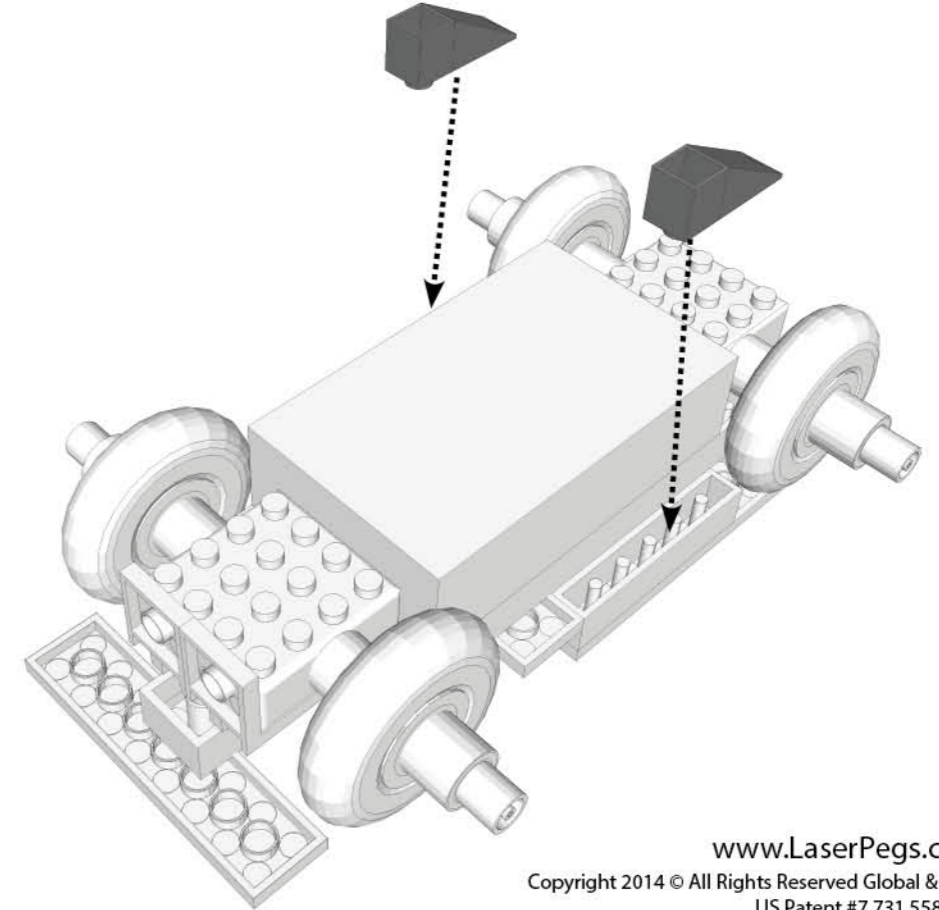
STEP 13



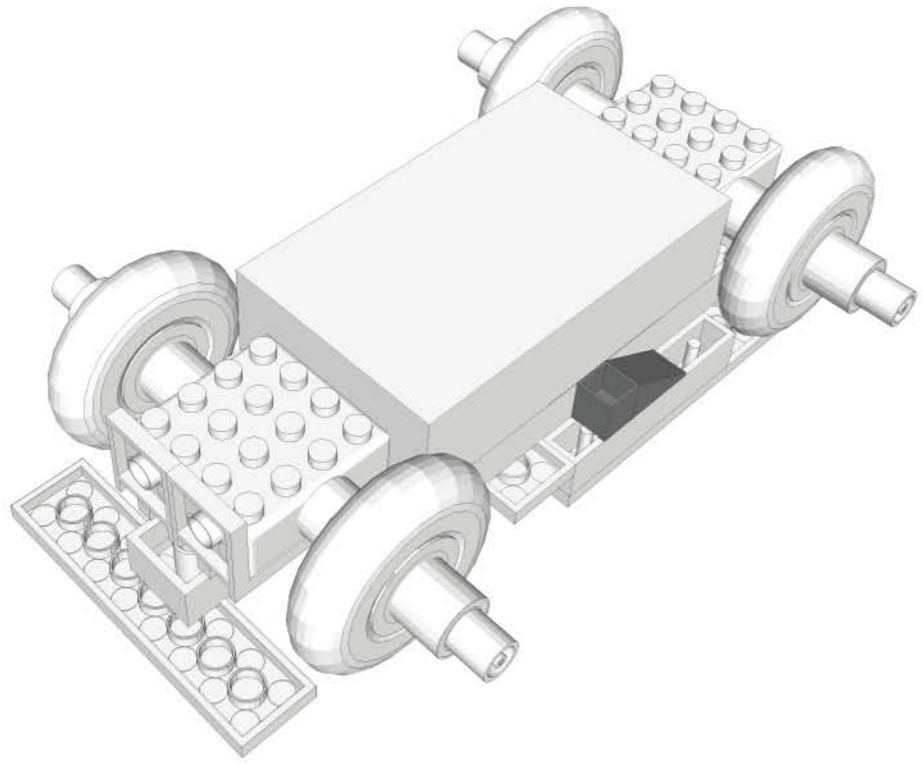
STEP 14



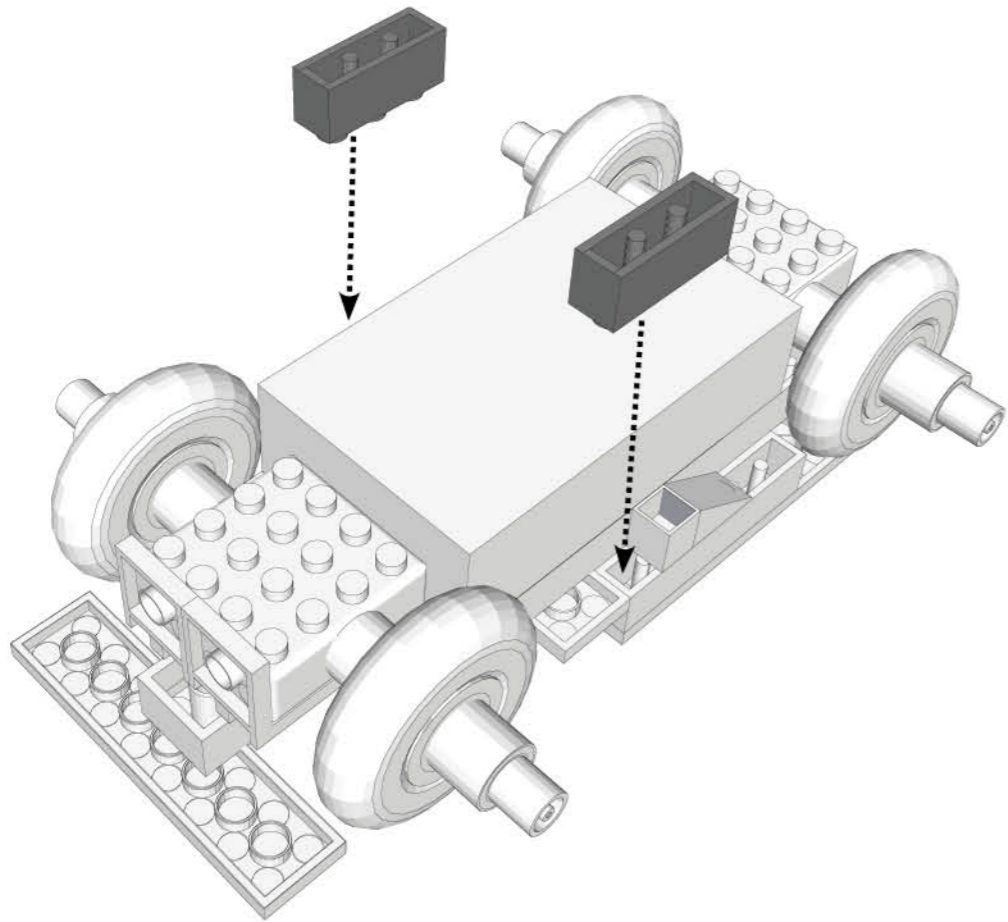
STEP 15



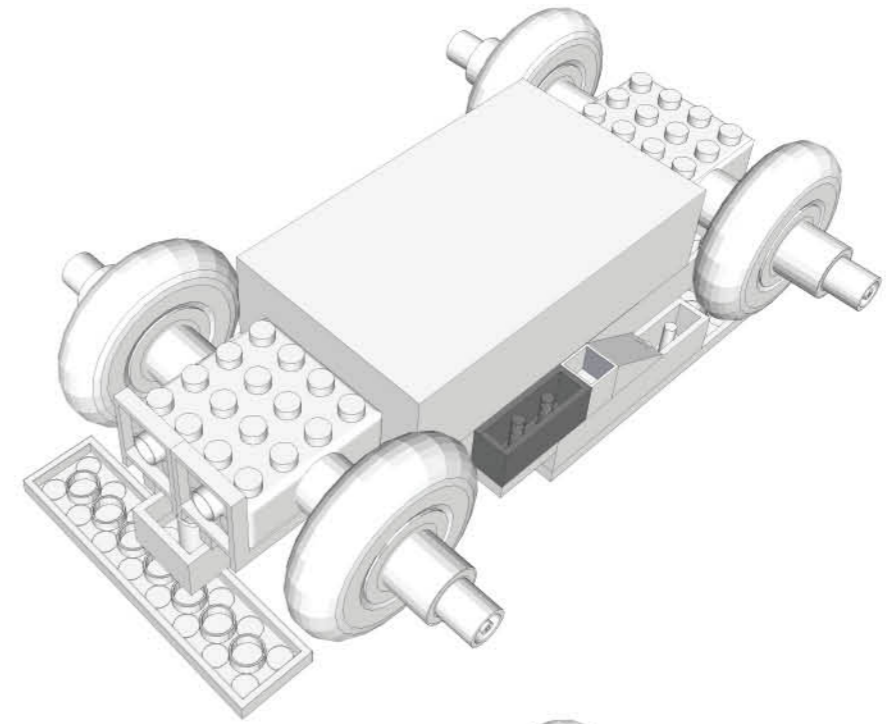
STEP
16



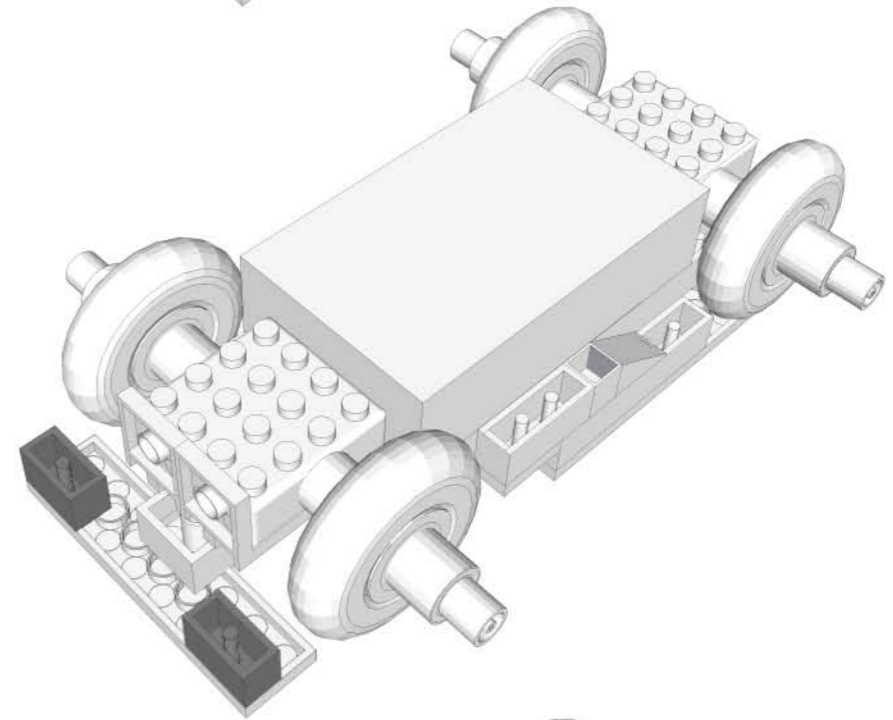
STEP
17



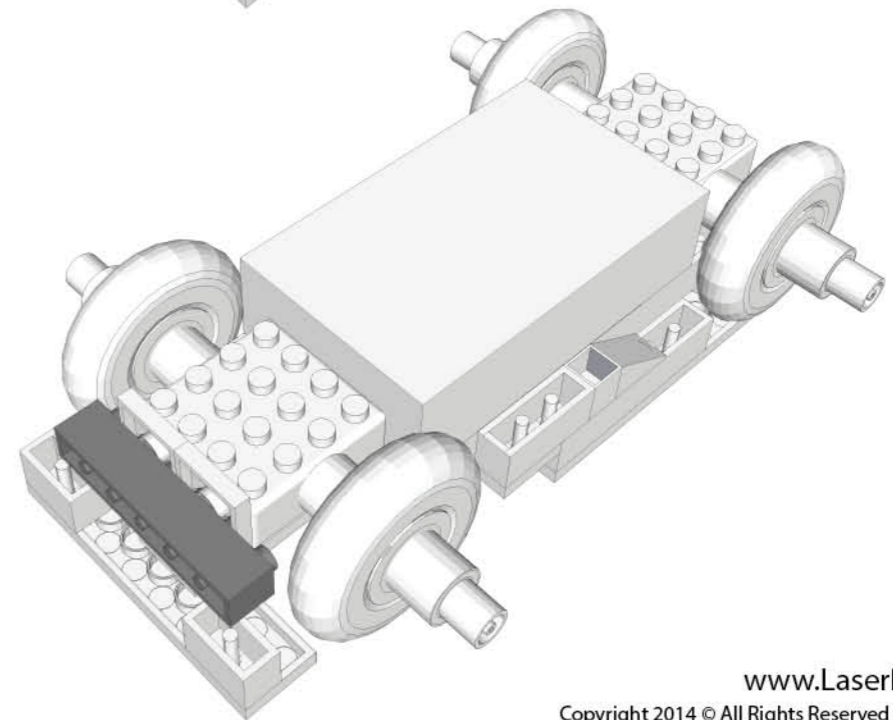
STEP
18



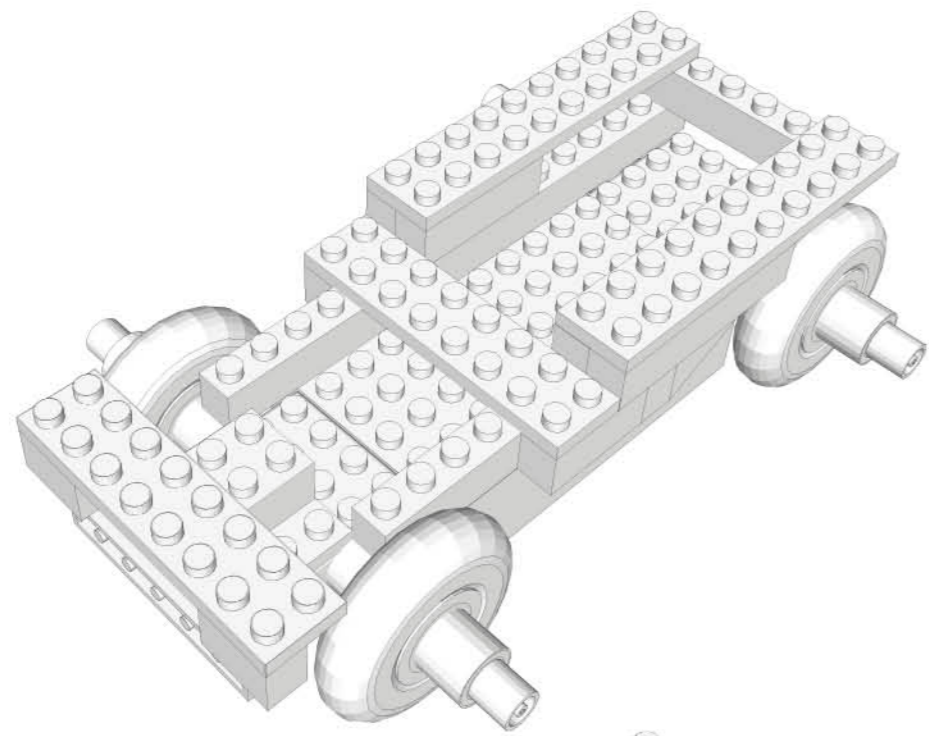
STEP
19



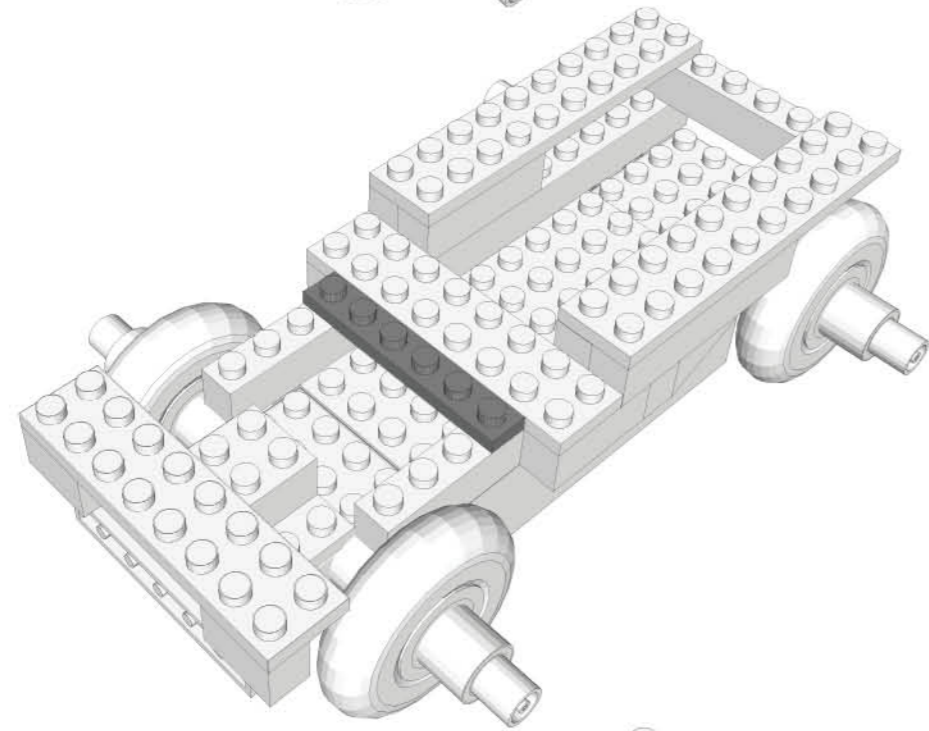
STEP
20



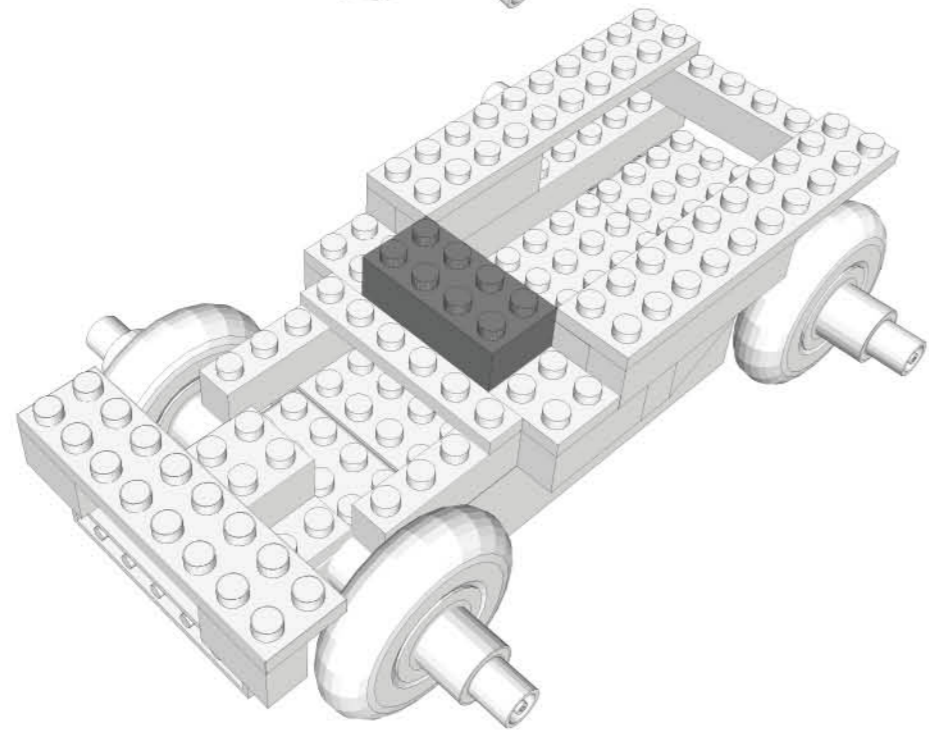
STEP
21
FLIP



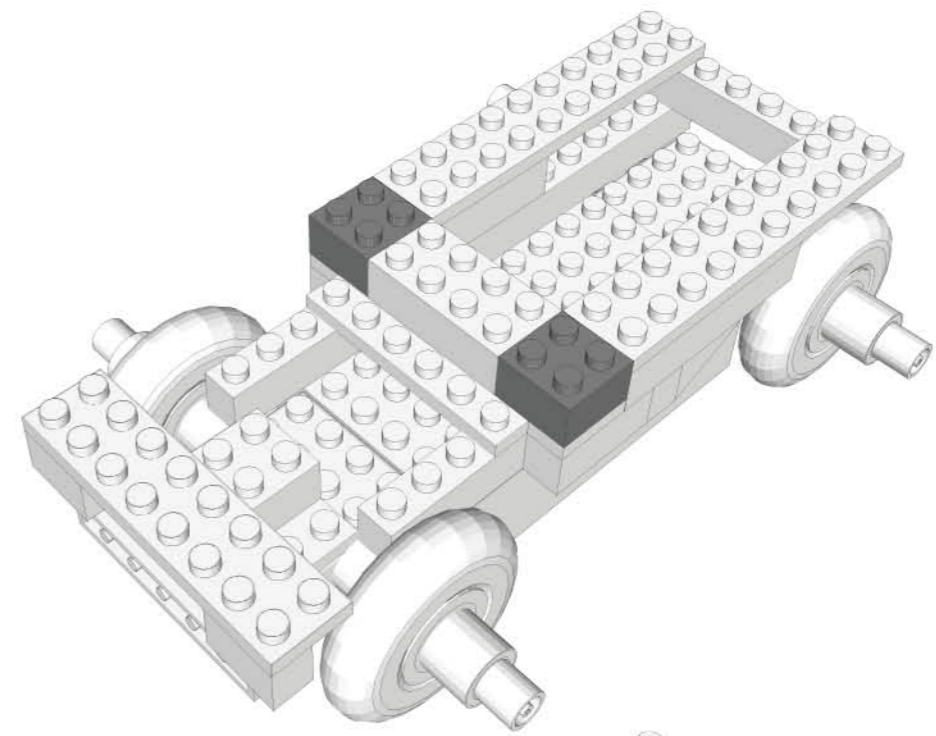
STEP
22



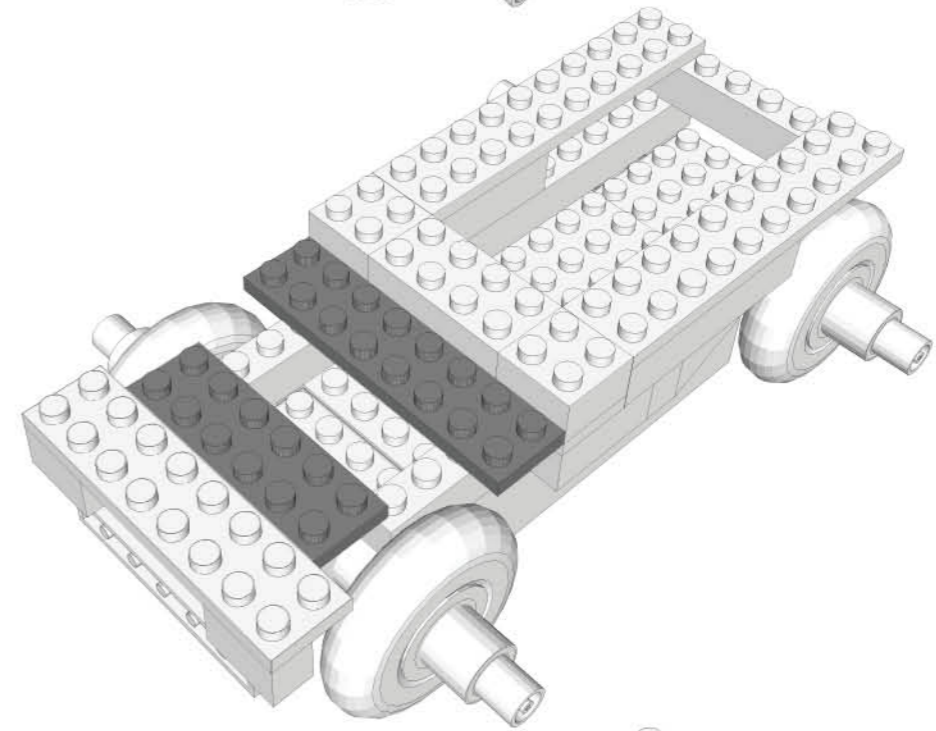
STEP
23



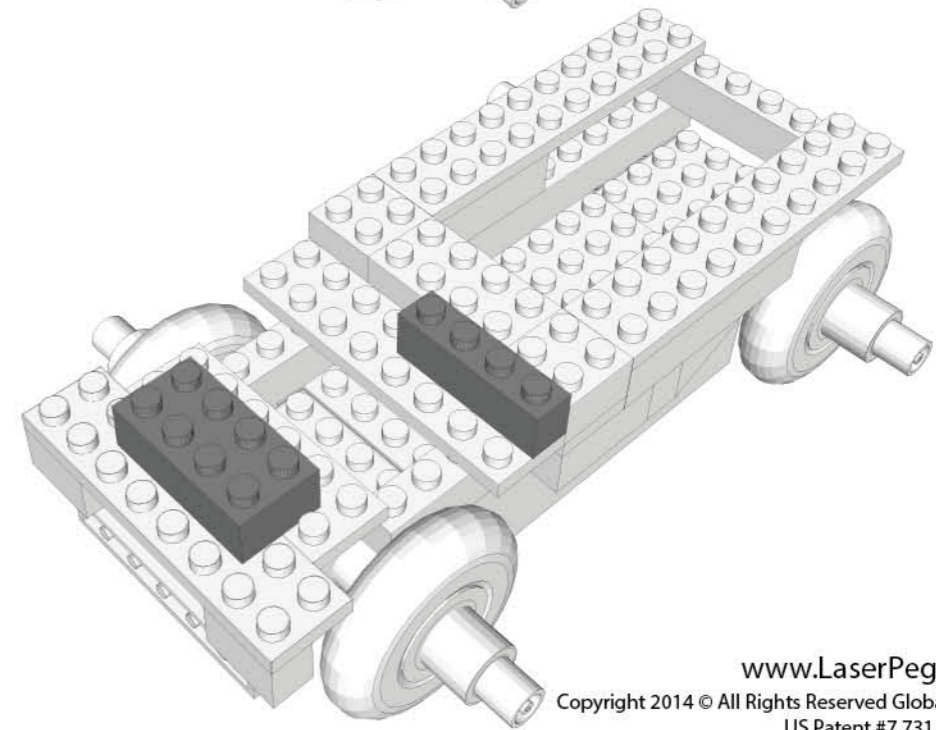
STEP
24



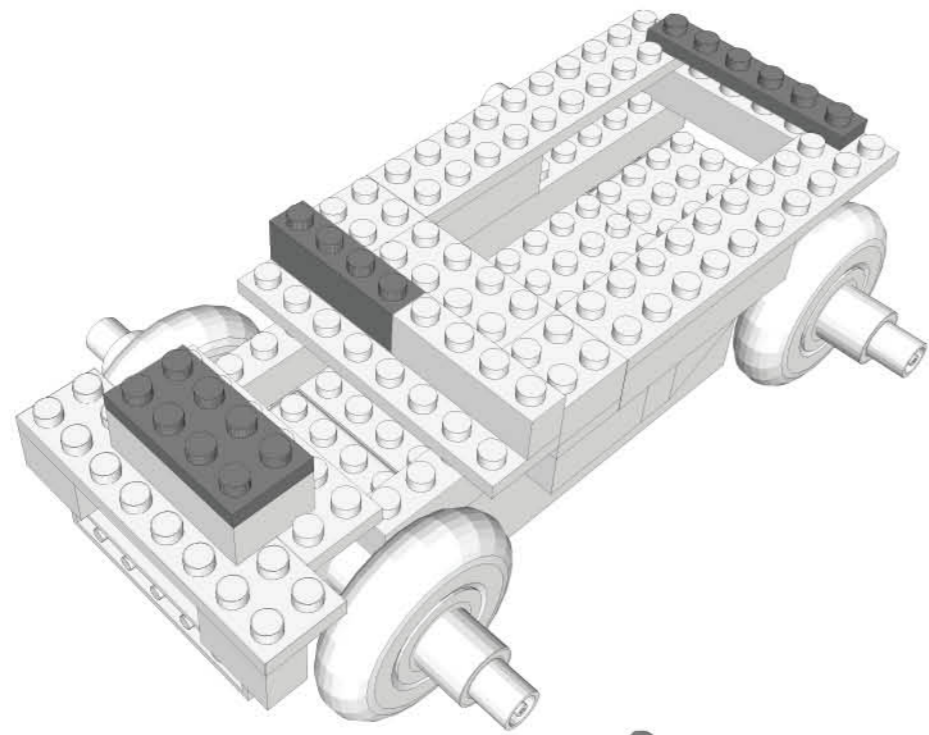
STEP
25



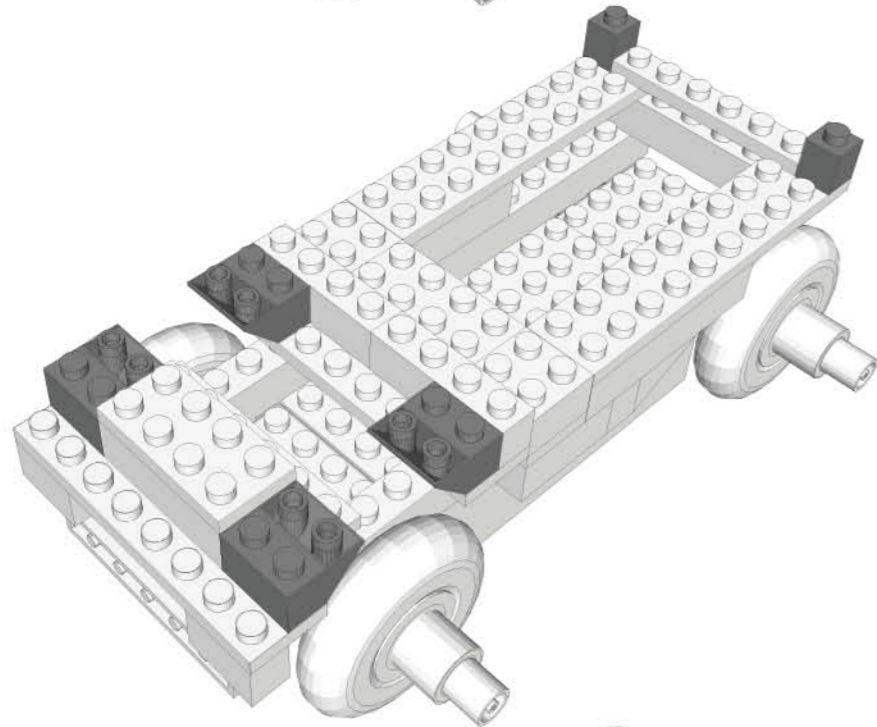
STEP
26



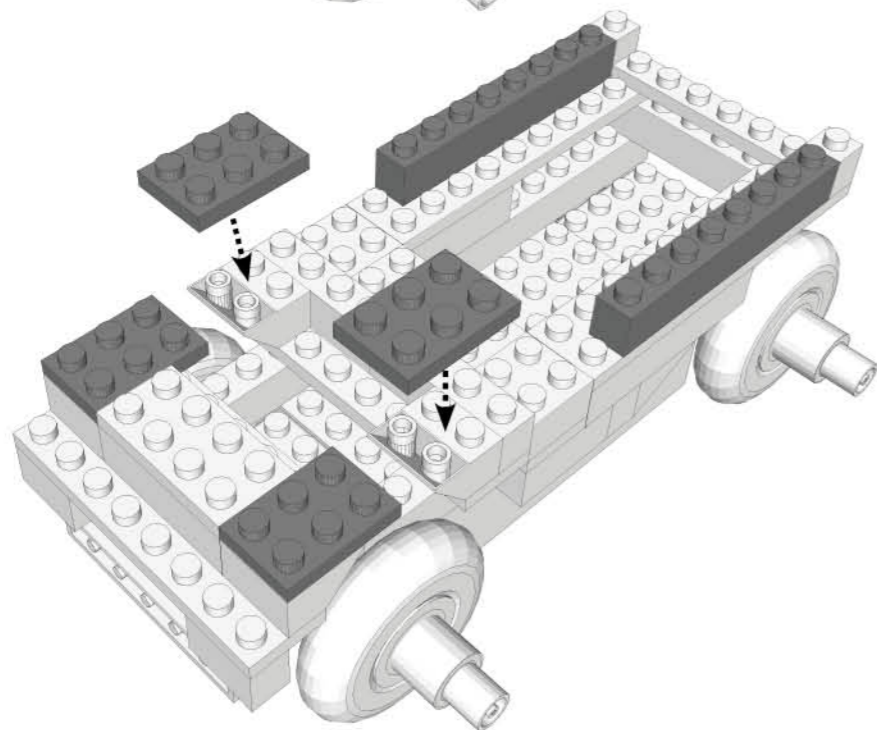
STEP
27



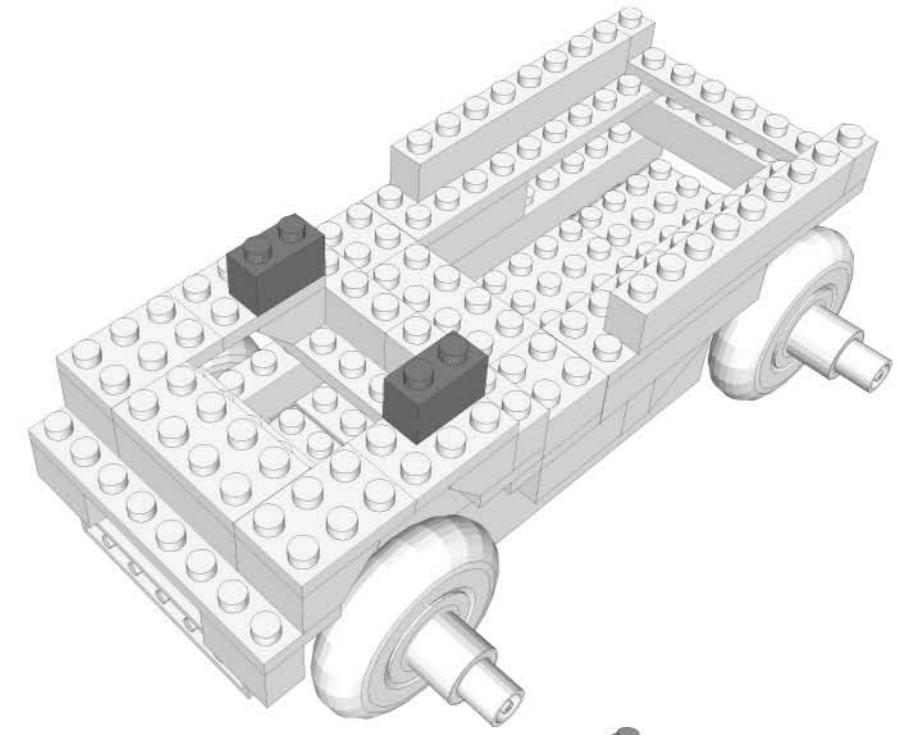
STEP
28



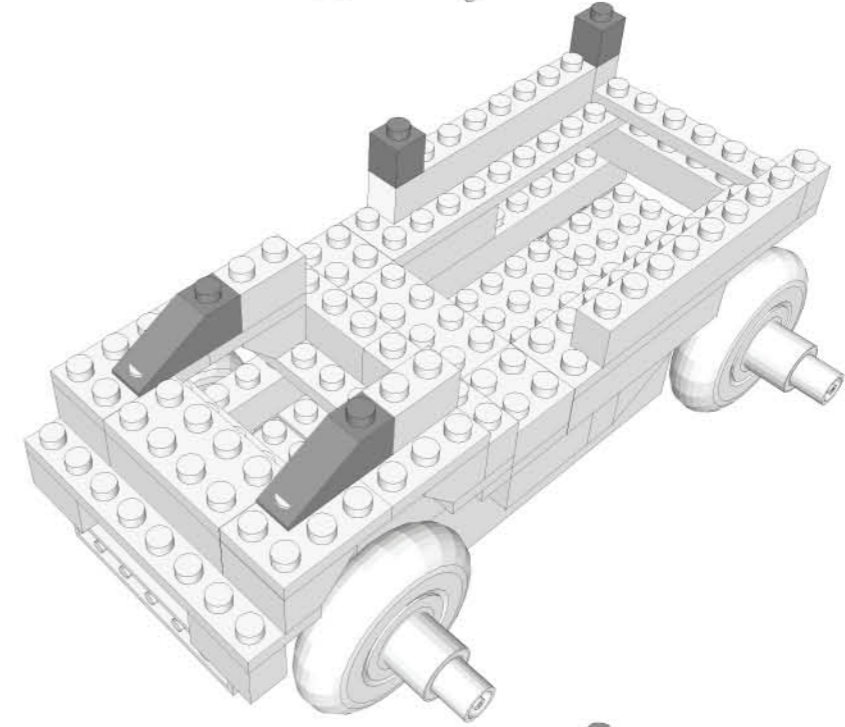
STEP
29



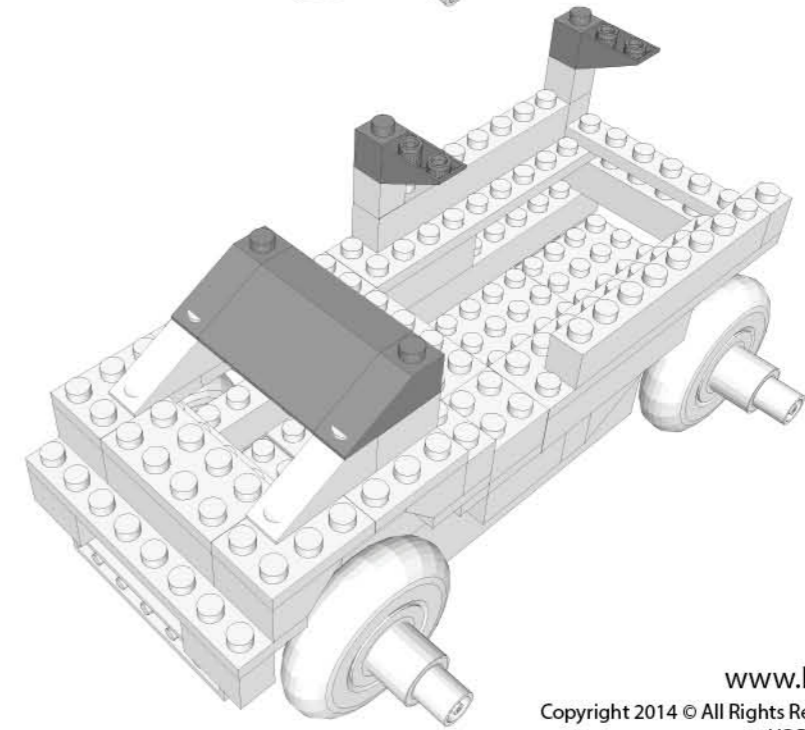
STEP
30



STEP
31



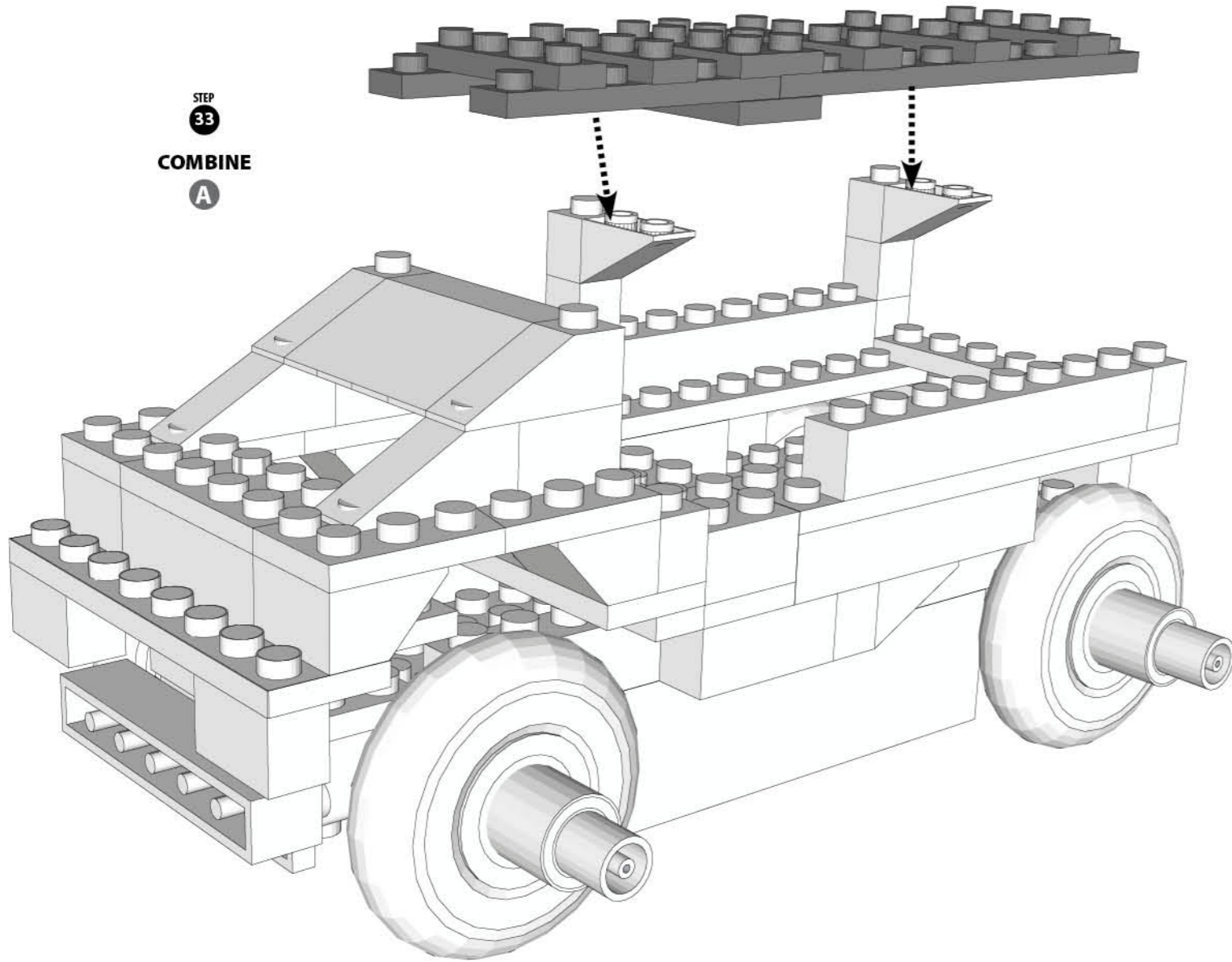
STEP
32



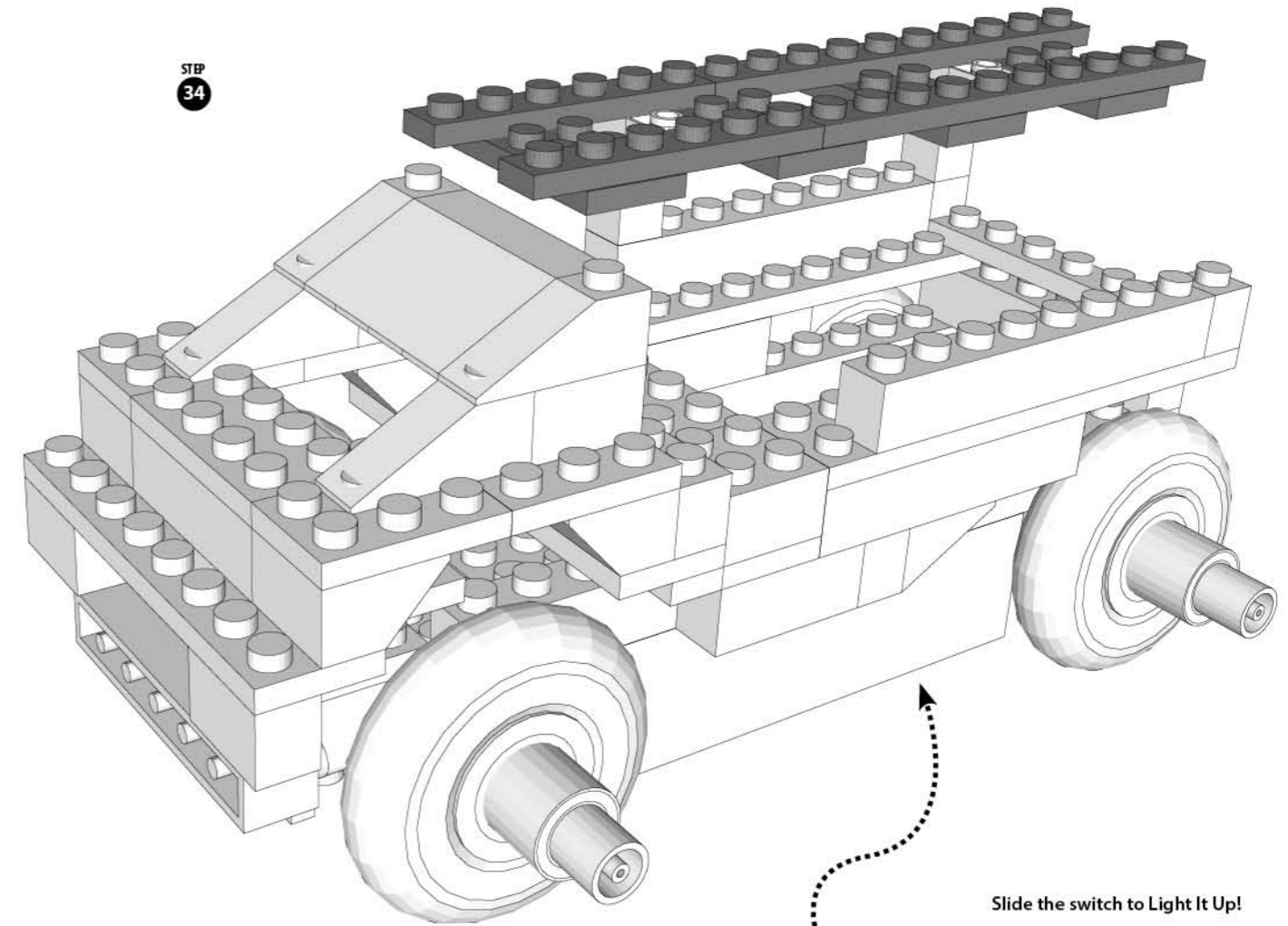
STEP
33

COMBINE

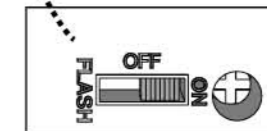
A



STEP
34



Slide the switch to Light It Up!



OFF - Turns lights OFF
 ON - Turns lights ON
 FLASH - Makes lights FLASH

Environmental Phenomena

*The unit may malfunction if subjected to radio-frequency interference. It SHOULD revert to normal operation when the interference stops. If not, it may become necessary to turn the power off and back on, or remove and reinstall the batteries.

*In the unlikely event of an electrostatic discharge, the unit may malfunction and lose memory, requiring the user to reset the device by removing and reinstalling the batteries.

Laser Pegs® CARES
Questions? Comments?
For additional compliance info:
1-866-432-3735
Contact: Support@LaserPegs.com

MADE IN CHINA

www.LaserPegs.com
 Copyright 2014 © All Rights Reserved Global & Multiple Patents Pending.
 US Patent #7,731,558