

LASER PEGS®

The Ultimate Construction Toy For Kids®

**G1270B
HELICOPTER**

AGES 5+

8 Models+

ANY CREATION YOU CAN BUILD

LIGHTED

CONSTRUCTION SET INCLUDES:

- 10 Laser Pegs®
- 78 Construction Parts
- Laser Pegs® Peg Cord
- Triangle Power Base
- Instruction Manual

Requires 3-AA Batteries

Batteries NOT
Included

EN71, RoHS COMPLIANT

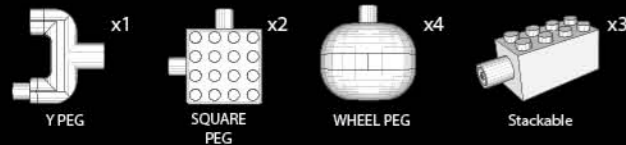
**WARNING:
CHOKING HAZARD**-Small parts.
Not for children under 3 yrs.
Do not submerge in water.

This product complies to
all safety requirements
of ASTM F 963

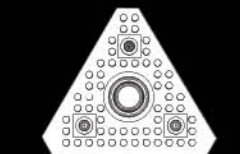
MODEL INSTRUCTIONS

All additional model instructions can
be downloaded at www.LaserPegs.com

Laser Peg® Parts List



Color Code Each Laser Peg® is color coded on the circuit board inside each shape.

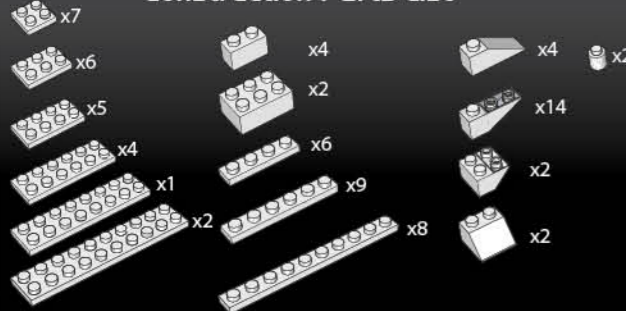


Sound Activated
Triangle Power Base



Laser Pegs®
Peg Cord

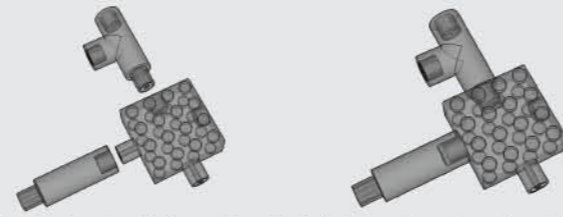
Construction Parts List



www.LaserPegs.com

This manual is copyright and cannot be reproduced or used online without Laser Pegs® Ventures LLC permission. Copyright 2014 © All Rights Reserved US Patent #7,731,558 Additional Global & Multiple Patents Pending. Laser Pegs® Ventures LLC, 8304 Consumer Ct., Sarasota FL 34240. Contact: Support@LaserPegs.com

Connecting Pegs



To construct with Laser Pegs®, slide two pieces together to form a connection. Slide each piece on and off smoothly. The 90° Pegs are essential to construction but they DO NOT LIGHT UP.

Environmental Phenomena

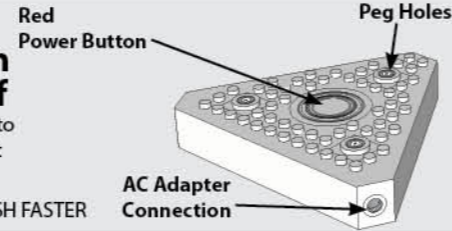
* The unit may malfunction if subjected to radio-frequency interference. It SHOULD revert to normal operation when the interference stops. If not, it may become necessary to turn the power off and back on, or remove and reinstall the batteries.

* In the unlikely event of an electrostatic discharge, the unit may malfunction and lose memory, requiring the user to reset the device by removing and reinstalling the batteries.

Push Red Power Button to turn on/off

Push Red Power Button to cycle through 4 different light settings.

SOUND/ON/FLASH/FLASH FASTER

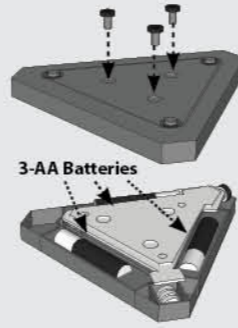


**WARNING: STROBE LIGHTS
MAY CAUSE SEIZURES**

Replacing Batteries

1. Remove the three (3) screws.
2. Place three (3) AA batteries in the correct position - as displayed inside the Triangle Power Base.
3. Reassemble the Triangle Power Base.
4. Replace the three (3) screws.
5. Push RED Power Button to turn on!
6. Do not mix old and new batteries.
7. Do not mix alkaline, standard (carbon-zinc), or rechargeable (nickel-cadmium, NiMH) batteries!
8. Exhausted batteries are to be removed from the Triangle Power Base.
9. Never connect more than 200 Laser Pegs®
10. Non-rechargeable batteries are not to be recharged.
11. Rechargeable batteries are only to be recharged under adult supervision.
12. Rechargeable batteries are to be removed from the toy before being recharged.
13. Batteries are to be inserted with the correct polarity.
14. The supply terminals are not to be short-circuited.
15. DO NOT THROW BATTERIES INTO FIRE!

Remove the 3 Phillips head screws



3-AA Batteries

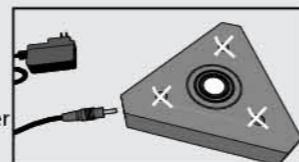


Remove the three Phillips head screws with a 4mm screw driver.
Requires (3AA) Batteries

Please dispose of batteries properly as per state and local regulations.

Using an AC Adapter

Remove all batteries from Laser Pegs® power base before using the 5-volt AC adapter.



When using an AC Adapter, NEVER place the adapter plug into the Triangle Power Base top peg holes.

*To avoid short-circuits, keep metal objects and other unauthorized materials from obstructing the peg holes.

Never connect more than 200 Laser Pegs® when using a 5-volt (2000mA) AC Adapter.

The AC adapter and the Triangle Power Base are to be regularly examined for damage to the cord, plug, enclosure and other parts, and in the event of such damage, they must not be used until the damage has been repaired.

WARNING! Each Laser Peg® draws current from the batteries. Therefore, the more pegs you use, the quicker you will deplete your battery power! As the power weakens, the current will slowly fail and some Laser Pegs® will illuminate (typically the reds and yellows) and some won't. When the Laser Pegs® dim the Laser Pegs® are not broken, they just need stronger batteries or an AC Adapter. You have 3 simple options...

1. Use a 5-volt AC Adapter -available from www.LaserPegs.com
2. Change the batteries.
3. Use high quality batteries. They will last a little longer, but they will still deplete rapidly the more laser pegs you connect!

DO NOT SUBMERGE IN WATER

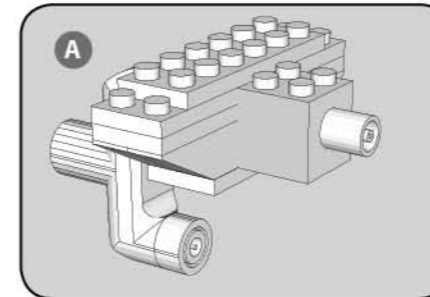
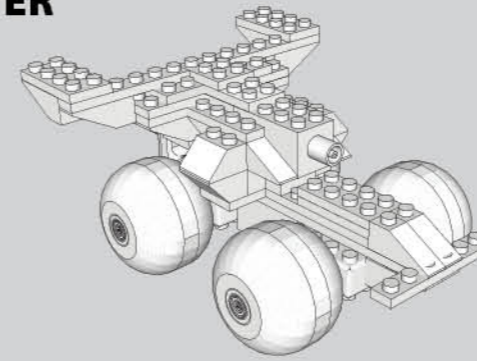
SPEEDSTER — A short, speedy little race-car with a top-notch engine and electrical components.



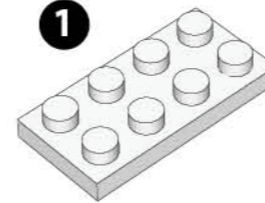
SPEEDSTER

Model
Difficulty
Level

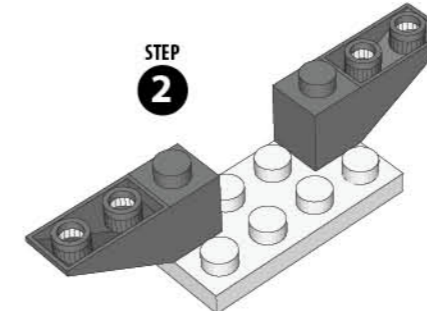
2



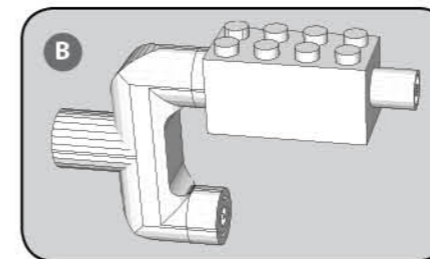
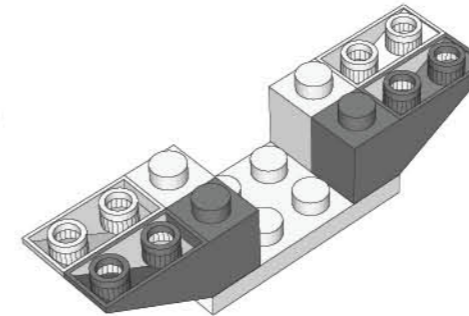
STEP
1



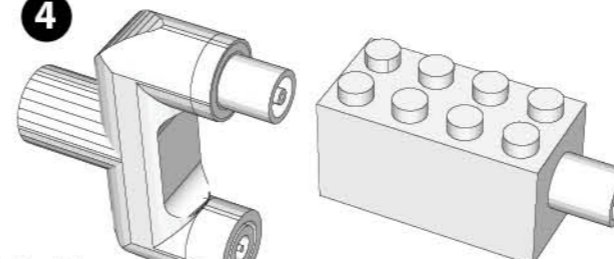
STEP
2



STEP
3

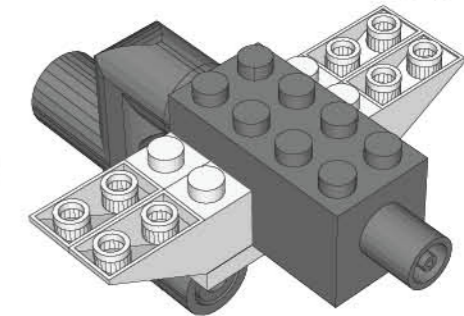


STEP
4



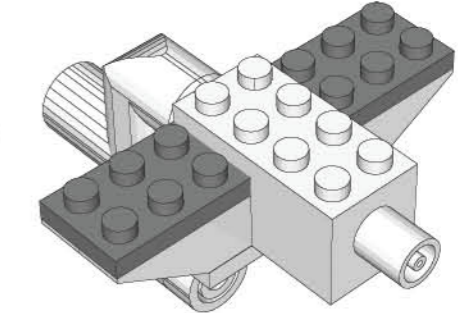
The toy is not to be connected to more than the recommended number of power supplies

STEP
5

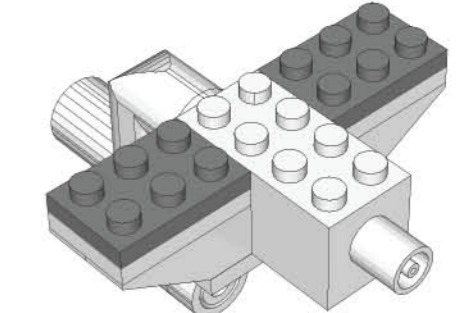


COMBINE
B

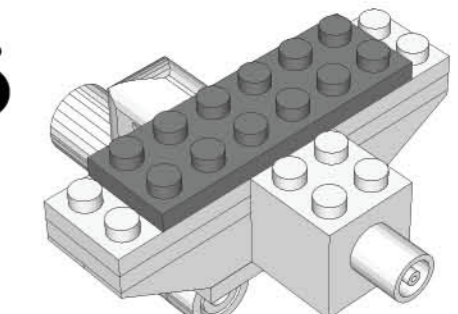
STEP
6



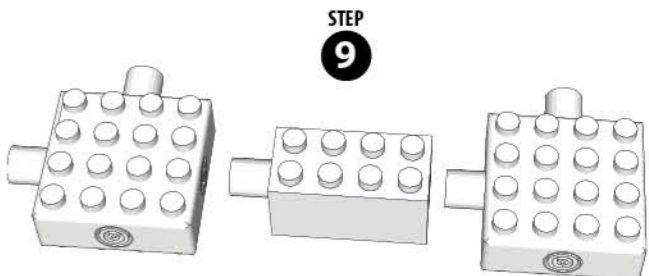
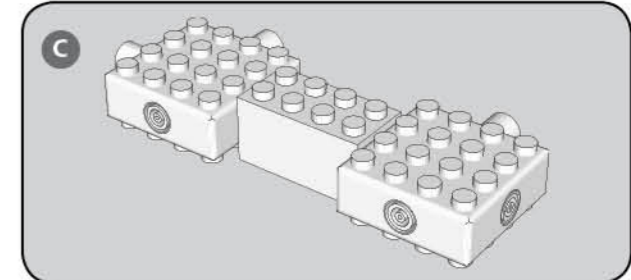
STEP
7

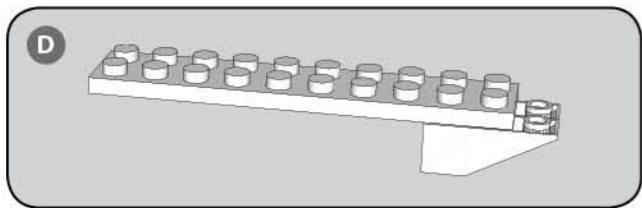


STEP
8

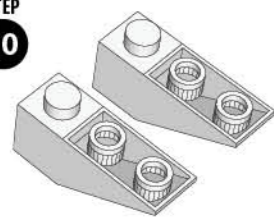


STEP
9

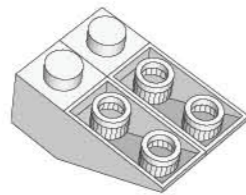




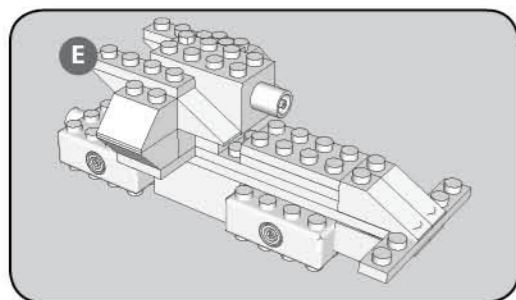
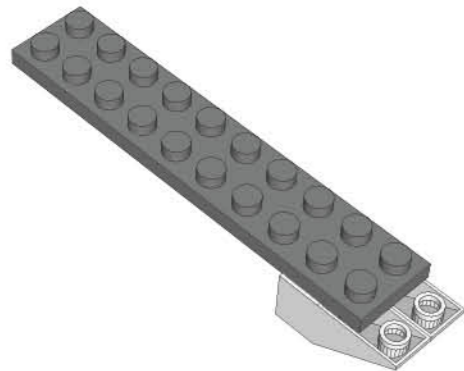
STEP 10



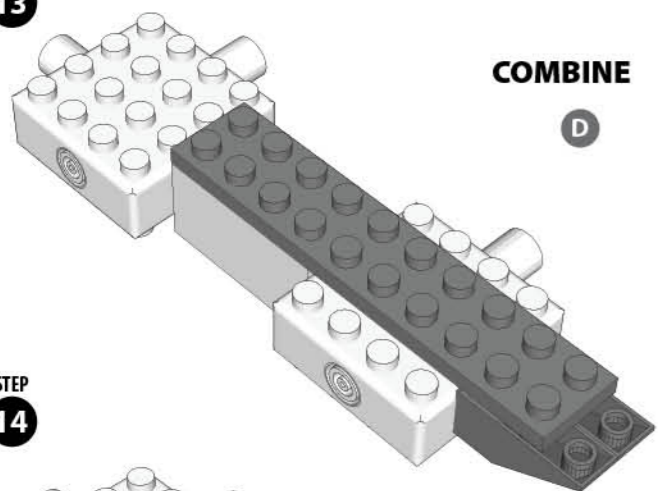
STEP 11



STEP 12



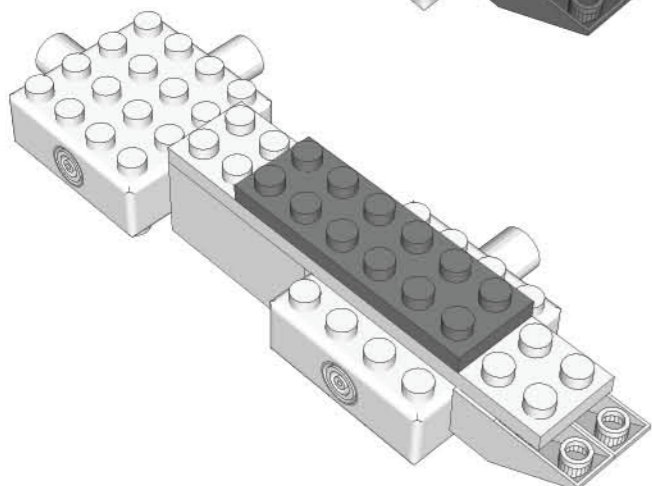
STEP 13



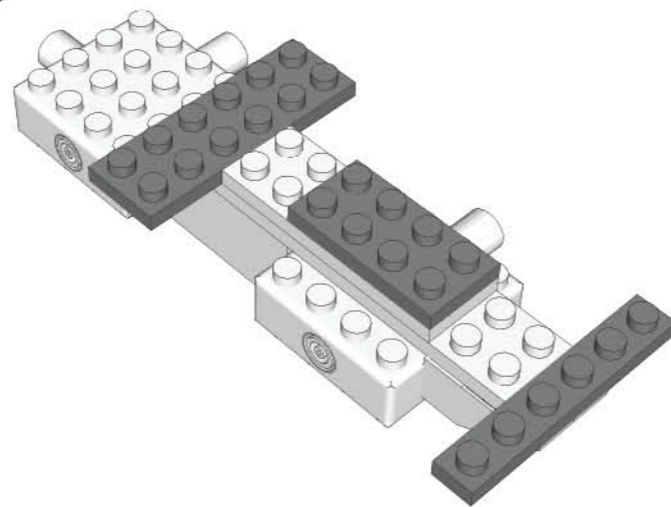
COMBINE

D

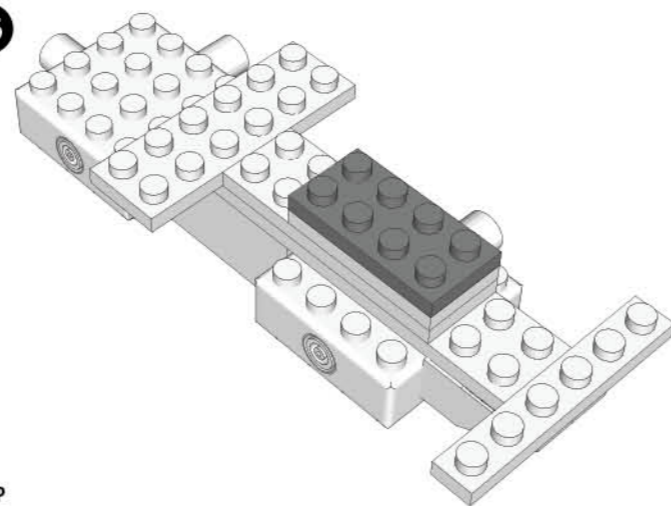
STEP 14



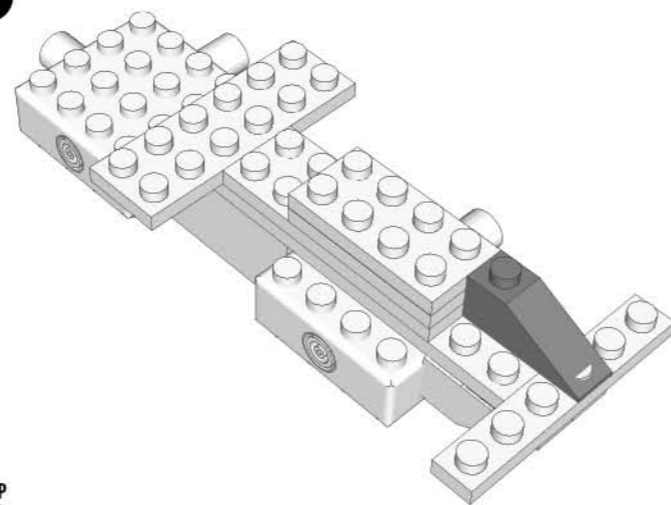
STEP 15



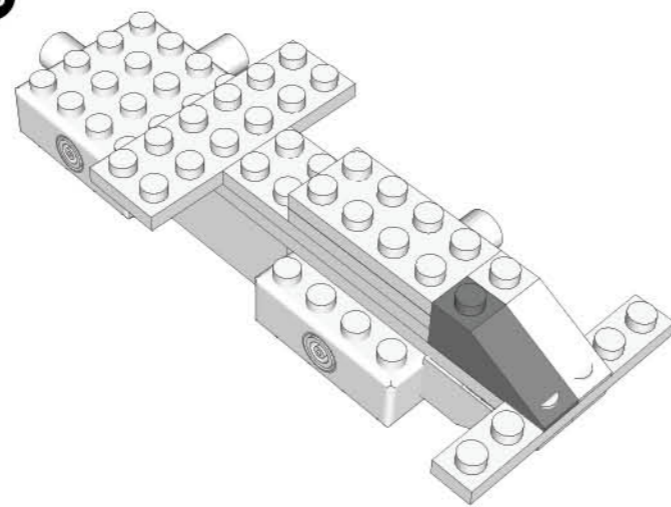
STEP 16



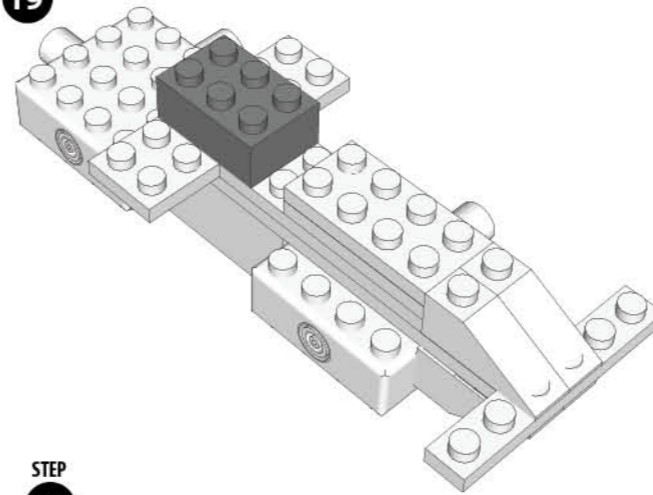
STEP 17



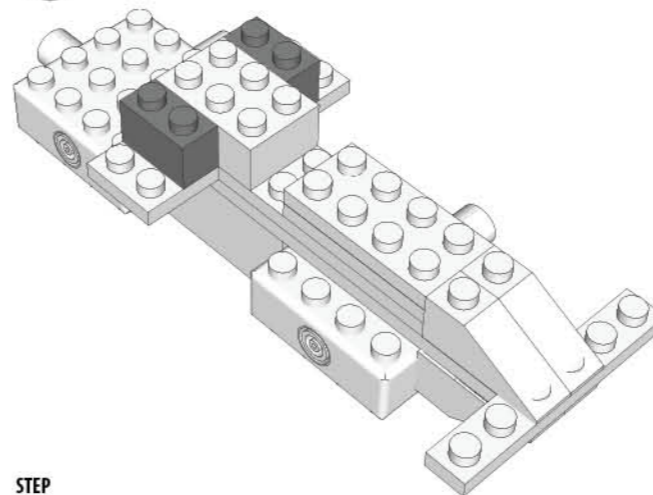
STEP 18



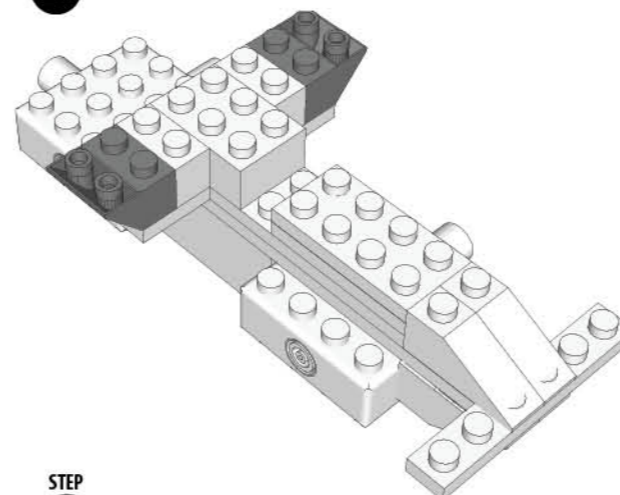
STEP 19



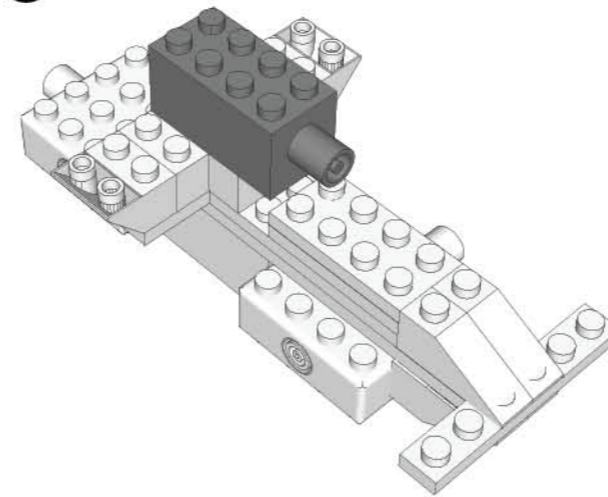
STEP 20



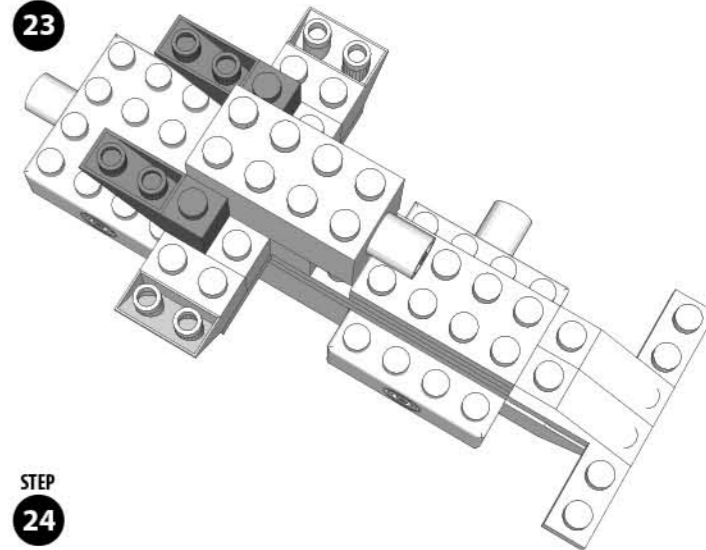
STEP 21



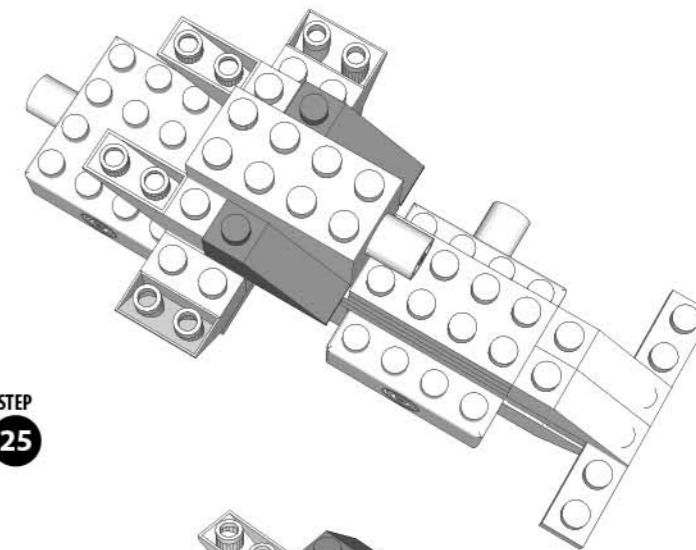
STEP 22



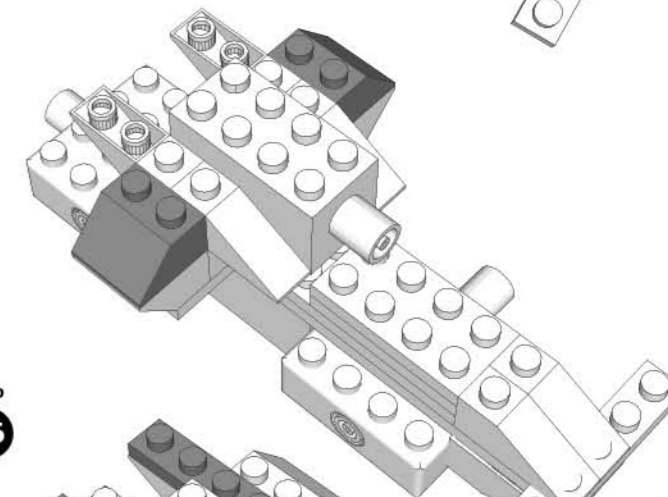
STEP 23



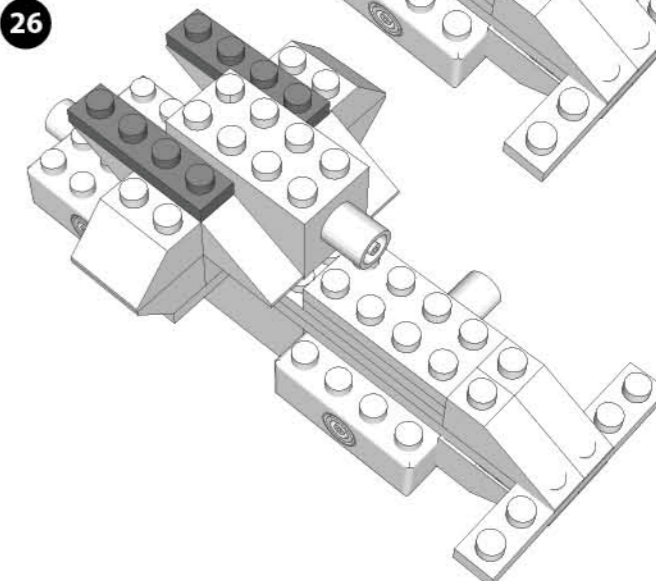
STEP 24



STEP 25



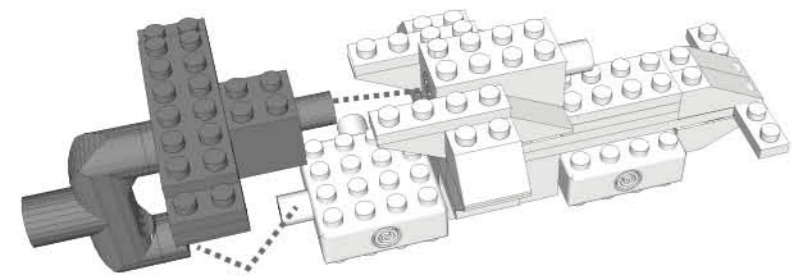
STEP 26



STEP
27

COMBINE

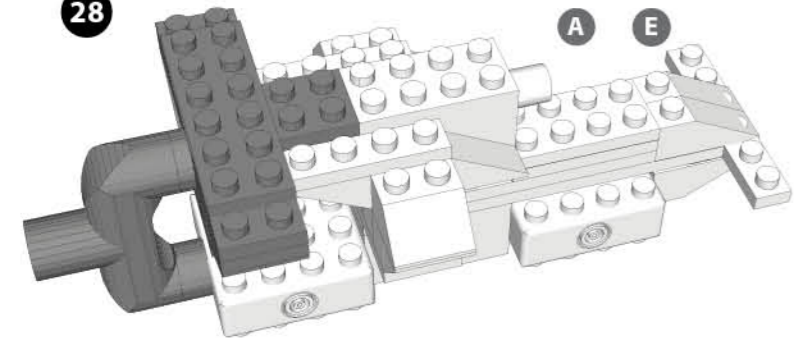
A E



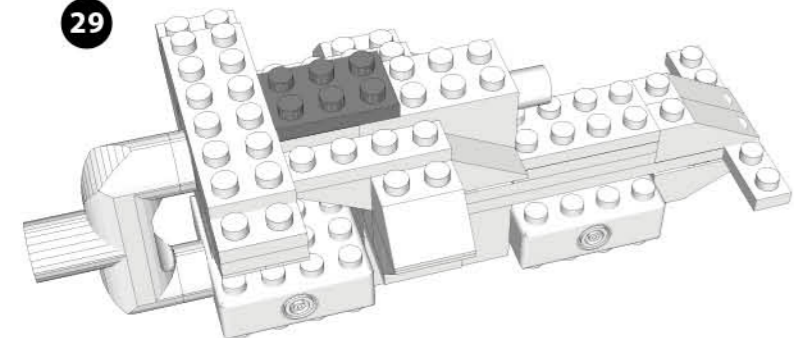
STEP
28

COMBINE

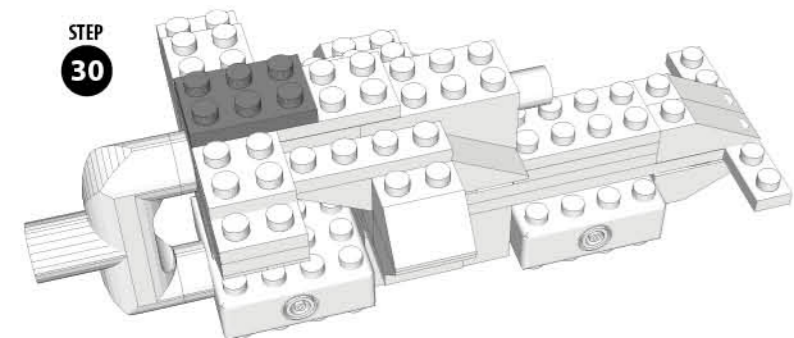
A E



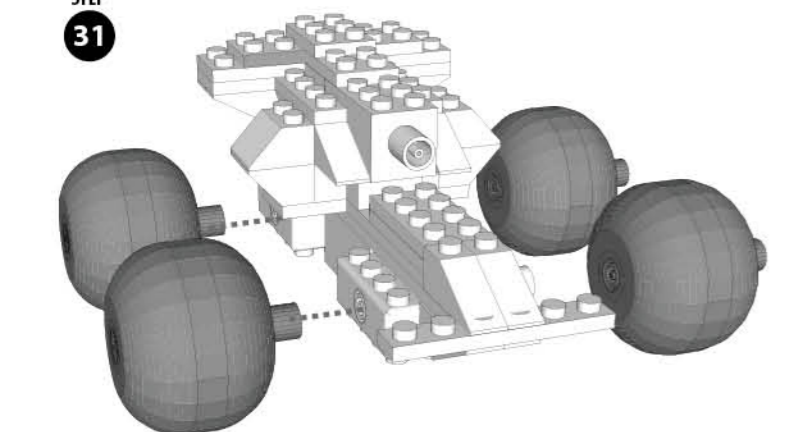
STEP
29



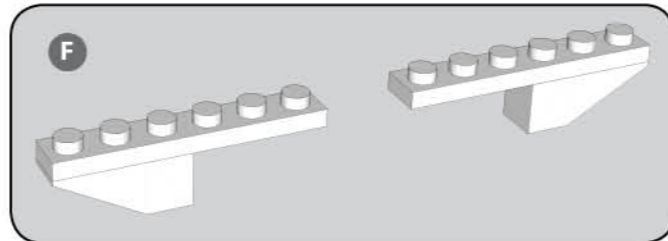
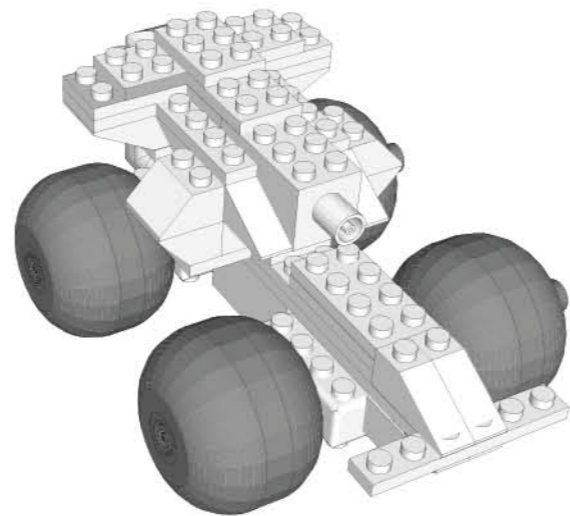
STEP
30



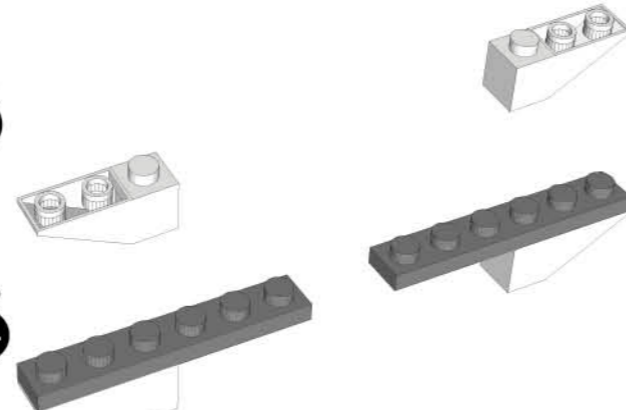
STEP
31



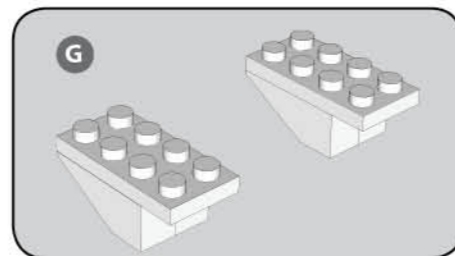
STEP
32



STEP
33



STEP
34



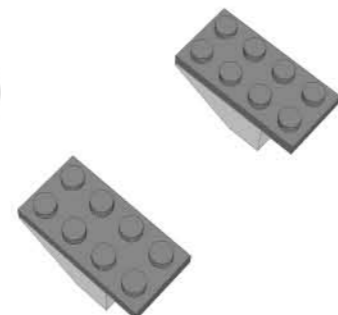
STEP
35



STEP
36



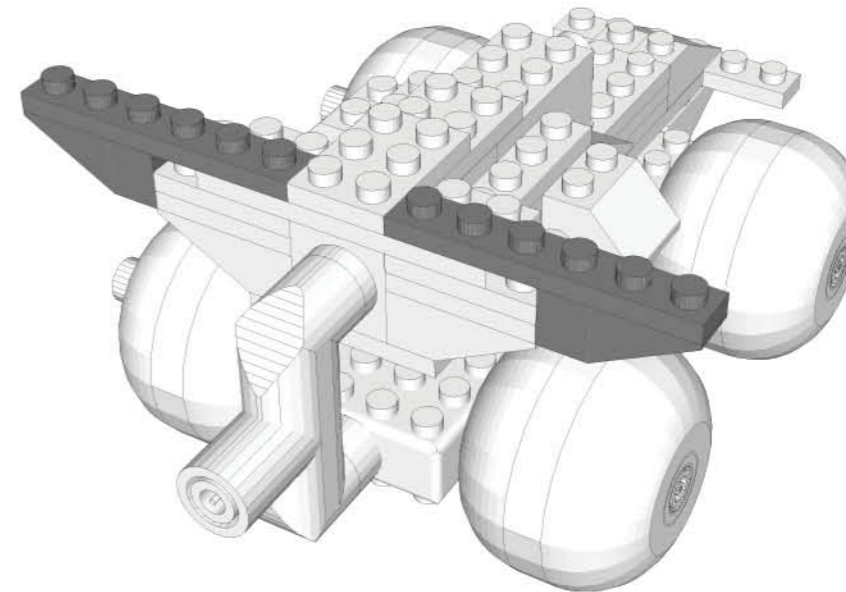
STEP
37



STEP
38

COMBINE

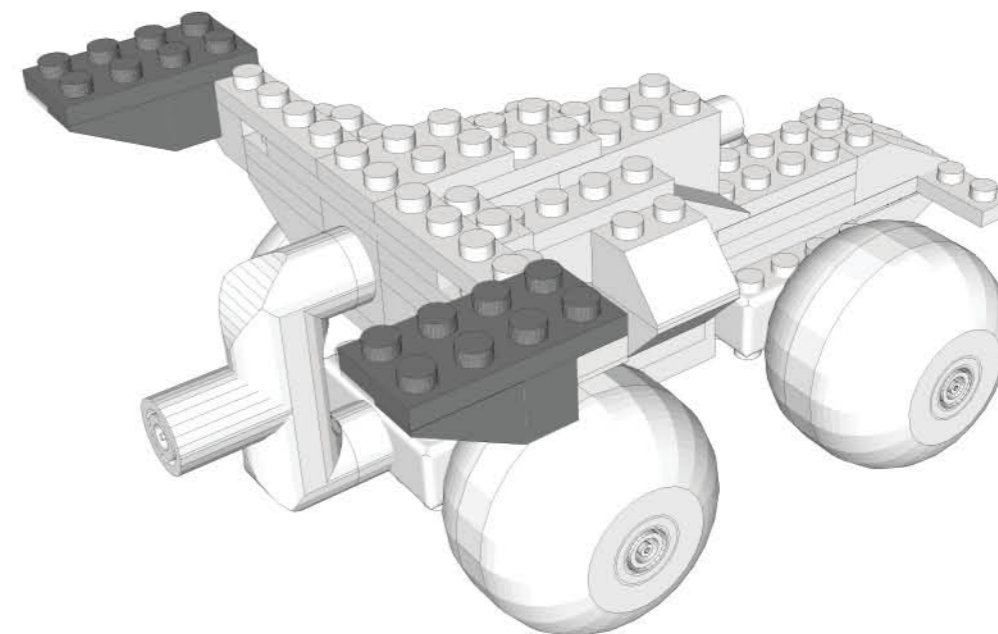
F



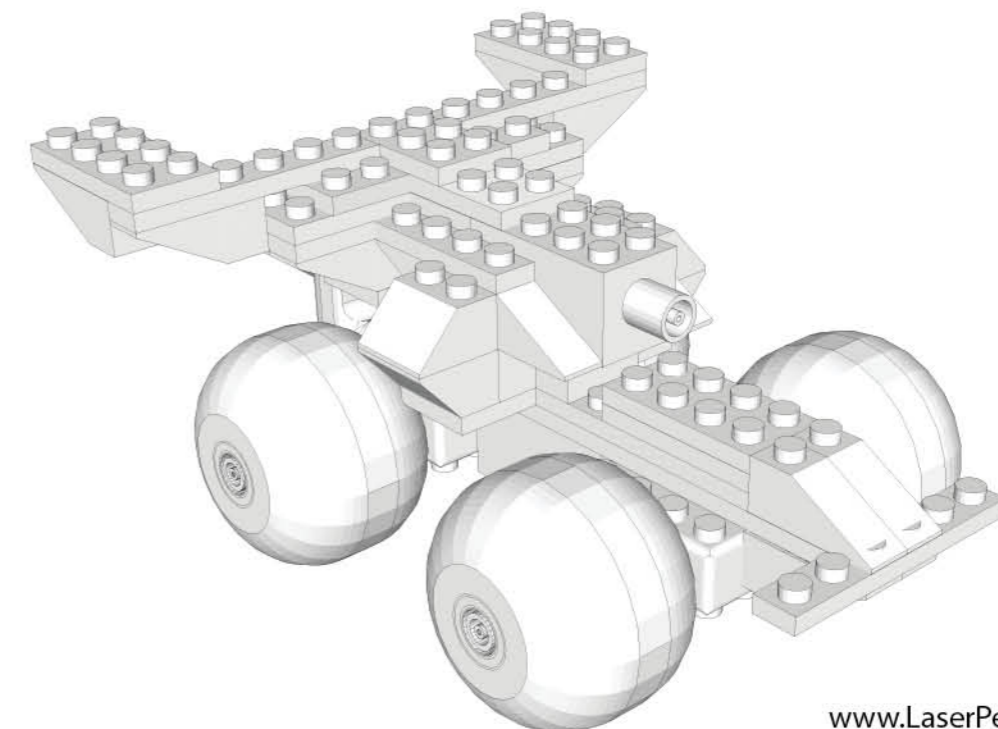
STEP
39

COMBINE

G



STEP
40



LASER PEGS®

The Ultimate Construction Toy For Kids®

**G1270B
HELICOPTER**

AGES 5+

8 Models+
ANY CREATION YOU CAN BUILD

LIGHTED
CONSTRUCTION SET INCLUDES:

- 10 Laser Pegs®
- 78 Construction Parts
- Laser Pegs® Peg Cord
- Triangle Power Base
- Instruction Manual

Requires 3-AA Batteries

Batteries NOT
Included

EN71, RoHS COMPLIANT

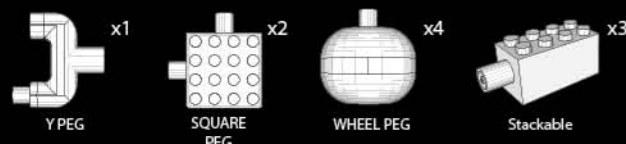
**WARNING:
CHOKING HAZARD**-Small parts.
Not for children under 3 yrs.
Do not submerge in water.

This product complies to
all safety requirements
of ASTM F 963

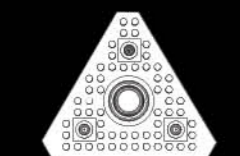
MODEL INSTRUCTIONS

All additional model instructions can
be downloaded at www.LaserPegs.com

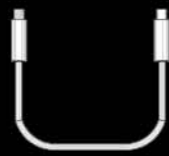
Laser Peg® Parts List



Color Code Each Laser Peg® is color coded on the circuit board inside each shape.

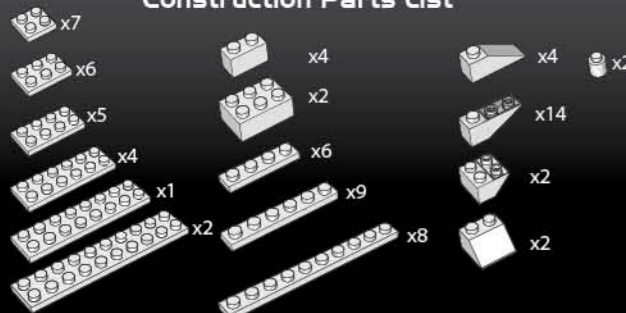


Sound Activated
Triangle Power Base



Laser Pegs®
Peg Cord

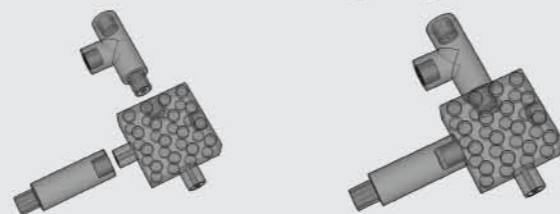
Construction Parts List



www.LaserPegs.com

This manual is copyright and cannot be reproduced or used online without Laser Pegs® Ventures LLC permission. Copyright 2014 © All Rights Reserved US Patent #7,731,558 Additional Global & Multiple Patents Pending. Laser Pegs® Ventures LLC, 8304 Consumer Ct., Sarasota FL 34240. Contact: Support@LaserPegs.com

Connecting Pegs



To construct with Laser Pegs®, slide two pieces together to form a connection. Slide each piece on and off smoothly. The 90° Pegs are essential to construction but they DO NOT LIGHT UP.

Environmental Phenomena

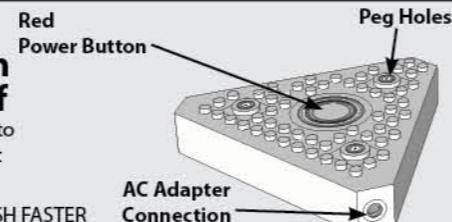
* The unit may malfunction if subjected to radio-frequency interference. It SHOULD revert to normal operation when the interference stops. If not, it may become necessary to turn the power off and back on, or remove and reinstall the batteries.

* In the unlikely event of an electrostatic discharge, the unit may malfunction and lose memory, requiring the user to reset the device by removing and reinstalling the batteries.

Push Red Power Button to turn on/off

Push Red Power Button to cycle through 4 different light settings.

SOUND/ON/FLASH/FLASH FASTER

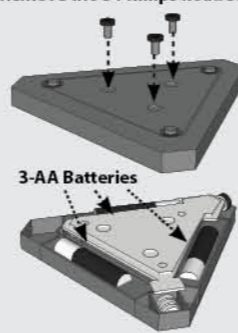


**WARNING: STROBE LIGHTS
MAY CAUSE SEIZURES**

Replacing Batteries

1. Remove the three (3) screws.
2. Place three (3) AA batteries in the correct position - as displayed inside the Triangle Power Base.
3. Reassemble the Triangle Power Base.
4. Replace the three (3) screws.
5. Push RED Power Button to turn on!
6. Do not mix old and new batteries.
7. Do not mix alkaline, standard (carbon-zinc), or rechargeable (nickel-cadmium, NiMH) batteries!
8. Exhausted batteries are to be removed from the Triangle Power Base.
9. Never connect more than 200 Laser Pegs®
10. Non-rechargeable batteries are not to be recharged.
11. Rechargeable batteries are only to be recharged under adult supervision.
12. Rechargeable batteries are to be removed from the toy before being recharged.
13. Batteries are to be inserted with the correct polarity.
14. The supply terminals are not to be short-circuited.
15. DO NOT THROW BATTERIES INTO FIRE!

Remove the 3 Phillips head screws



3-AA Batteries

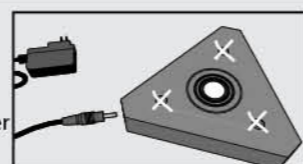


Remove the three Phillips head screws with a 4mm screw driver.
Requires (3AA) Batteries

Please dispose of batteries properly as per state and local regulations.

Using an AC Adapter

Remove all batteries from Laser Pegs® power base before using the 5-volt AC adapter.



When using an AC Adapter, NEVER place the adapter plug into the Triangle Power Base top peg holes.

*To avoid short-circuits, keep metal objects and other unauthorized materials from obstructing the peg holes.

Never connect more than 200 Laser Pegs® when using a 5-volt (2000mA) AC Adapter.

The AC adapter and the Triangle Power Base are to be regularly examined for damage to the cord, plug, enclosure and other parts, and in the event of such damage, they must not be used until the damage has been repaired.

WARNING! Each Laser Peg® draws current from the batteries. Therefore, the more pegs you use, the quicker you will deplete your battery power! As the power weakens, the current will slowly fail and some Laser Pegs® will illuminate (typically the reds and yellows) and some won't. When the Laser Pegs® dim the Laser Pegs® are not broken, they just need stronger batteries or an AC Adapter.

You have 3 simple options...

1. Use a 5-volt AC Adapter -available from www.LaserPegs.com
2. Change the batteries.
3. Use high quality batteries. They will last a little longer, but they will still deplete rapidly the more laser pegs you connect!

DO NOT SUBMERGE IN WATER

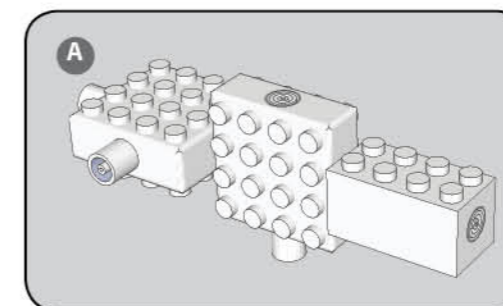
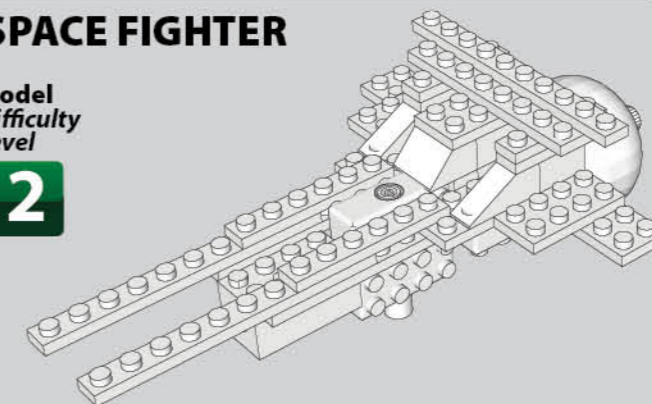
SPACE FIGHTER - A staple of science fiction, that plays key roles in some of the most enduring sci-fi universes.



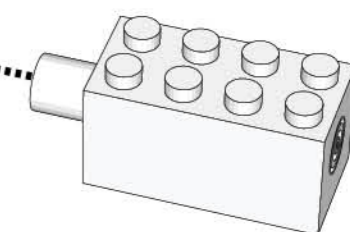
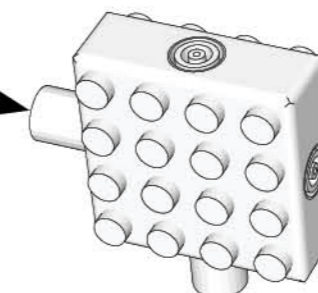
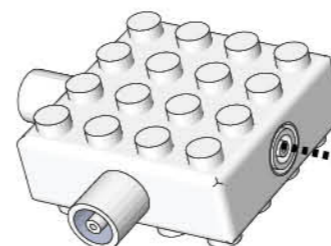
SPACE FIGHTER

Model
Difficulty
Level

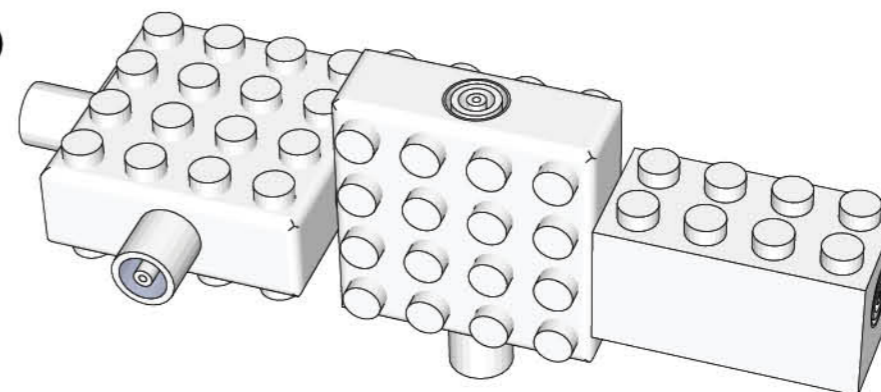
2



1



2



COMBINE
PARTS

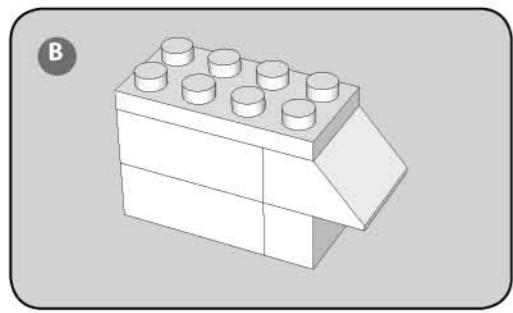


FLIP MODEL
OVER

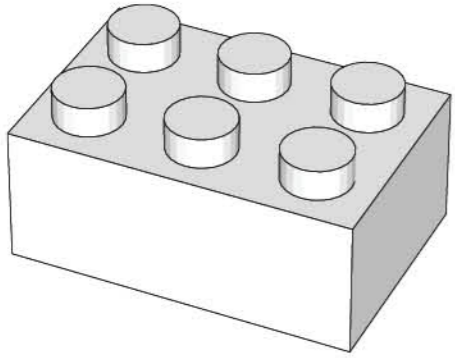


ROTATE
MODEL

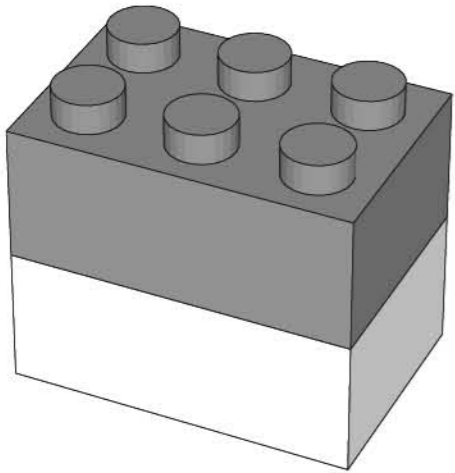
The toy is not to be connected to more than the recommended number of power supplies



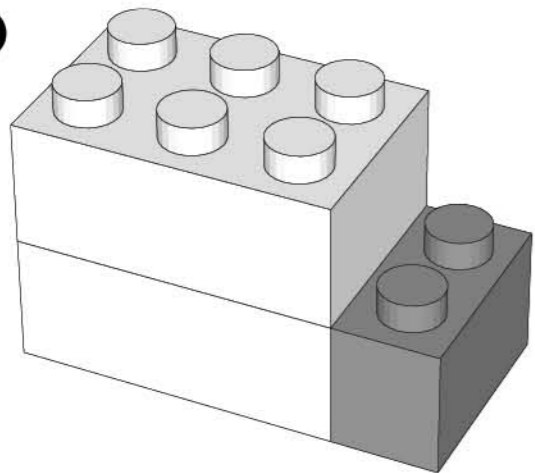
3



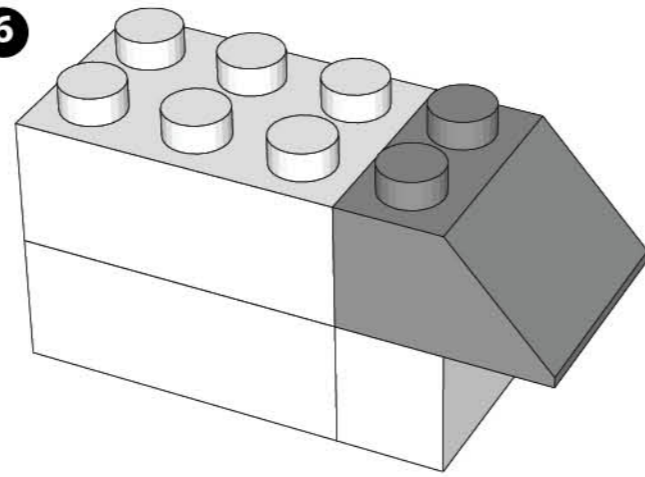
4



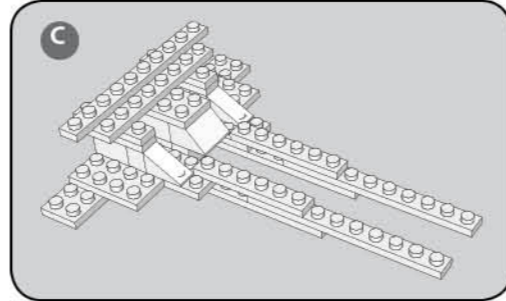
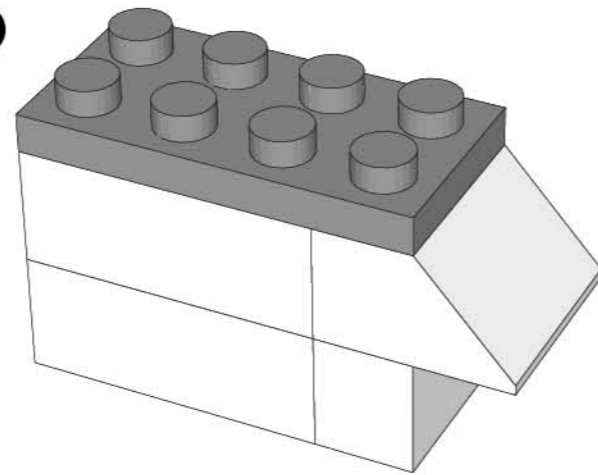
5



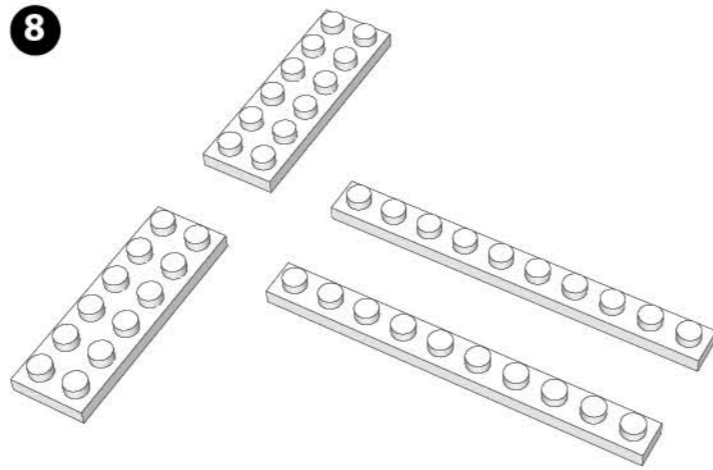
6



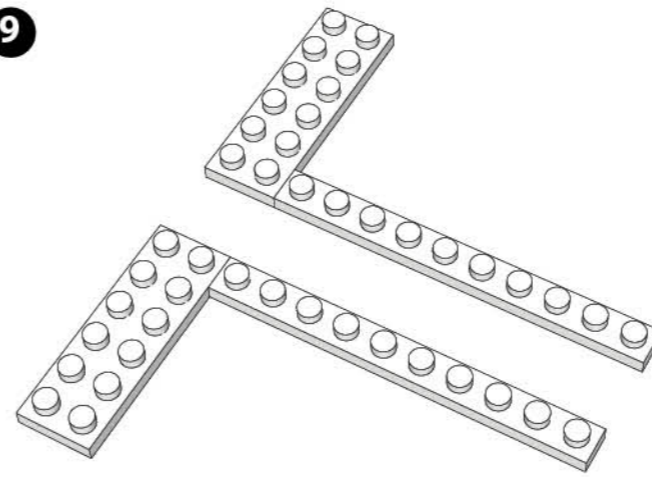
7



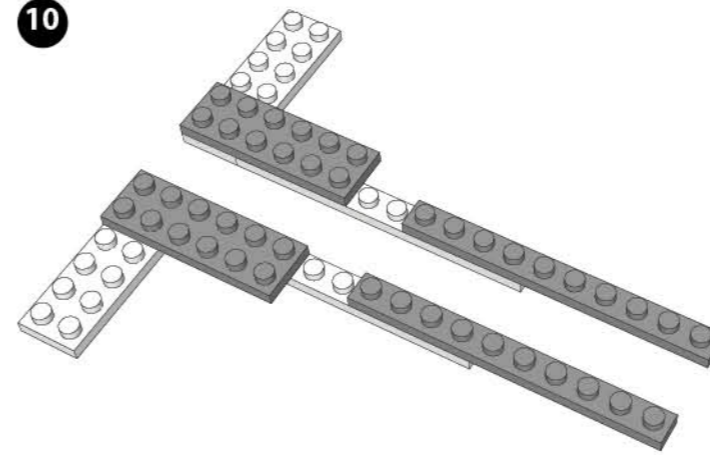
8



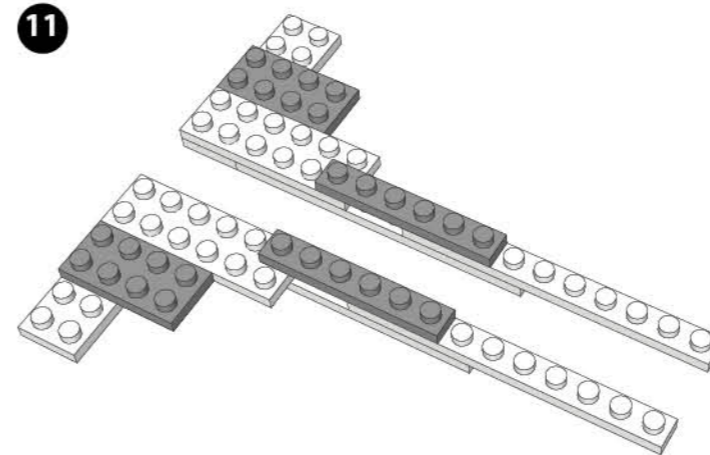
9



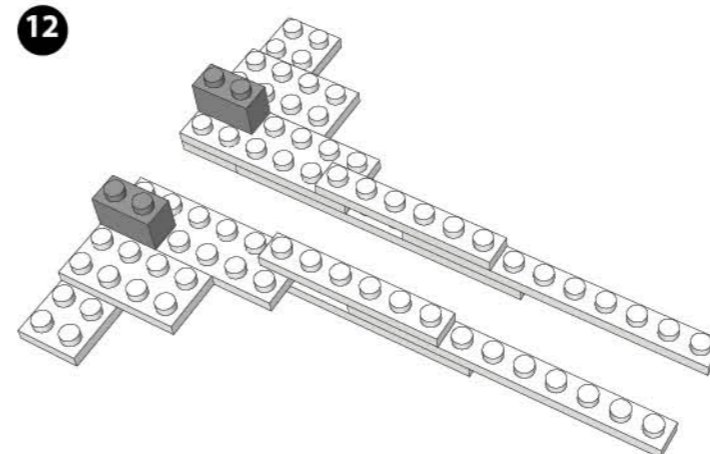
10



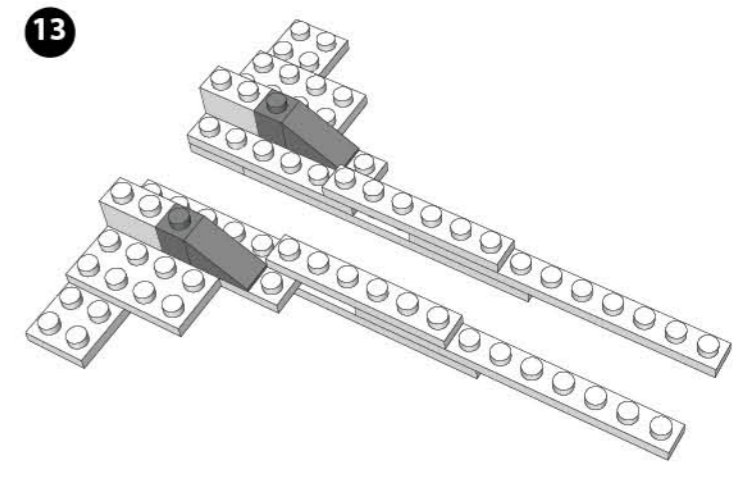
11



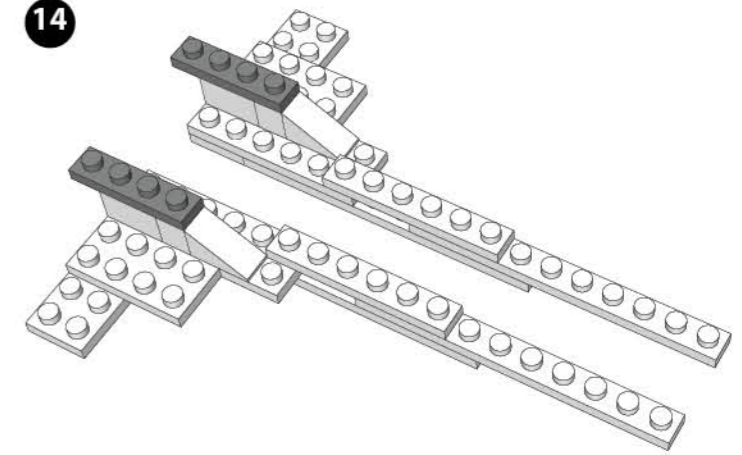
12



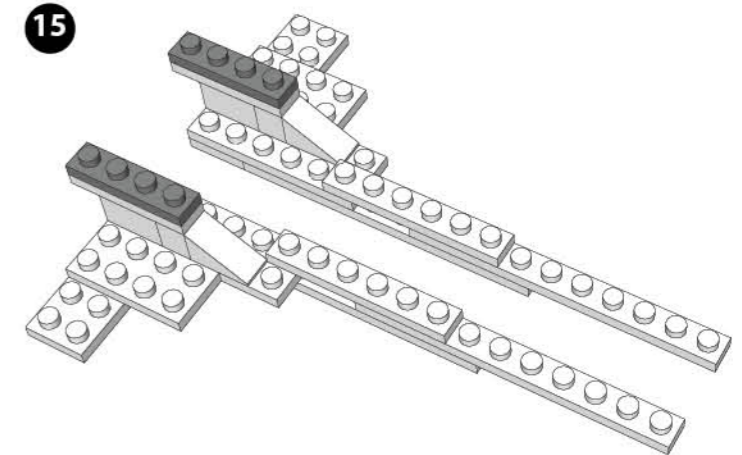
13



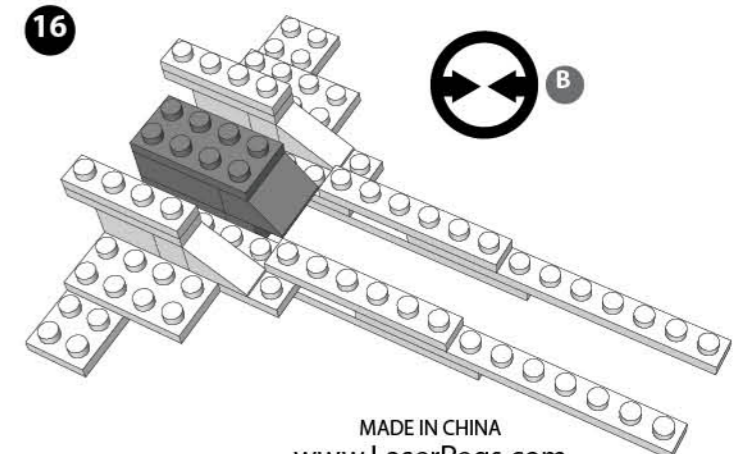
14

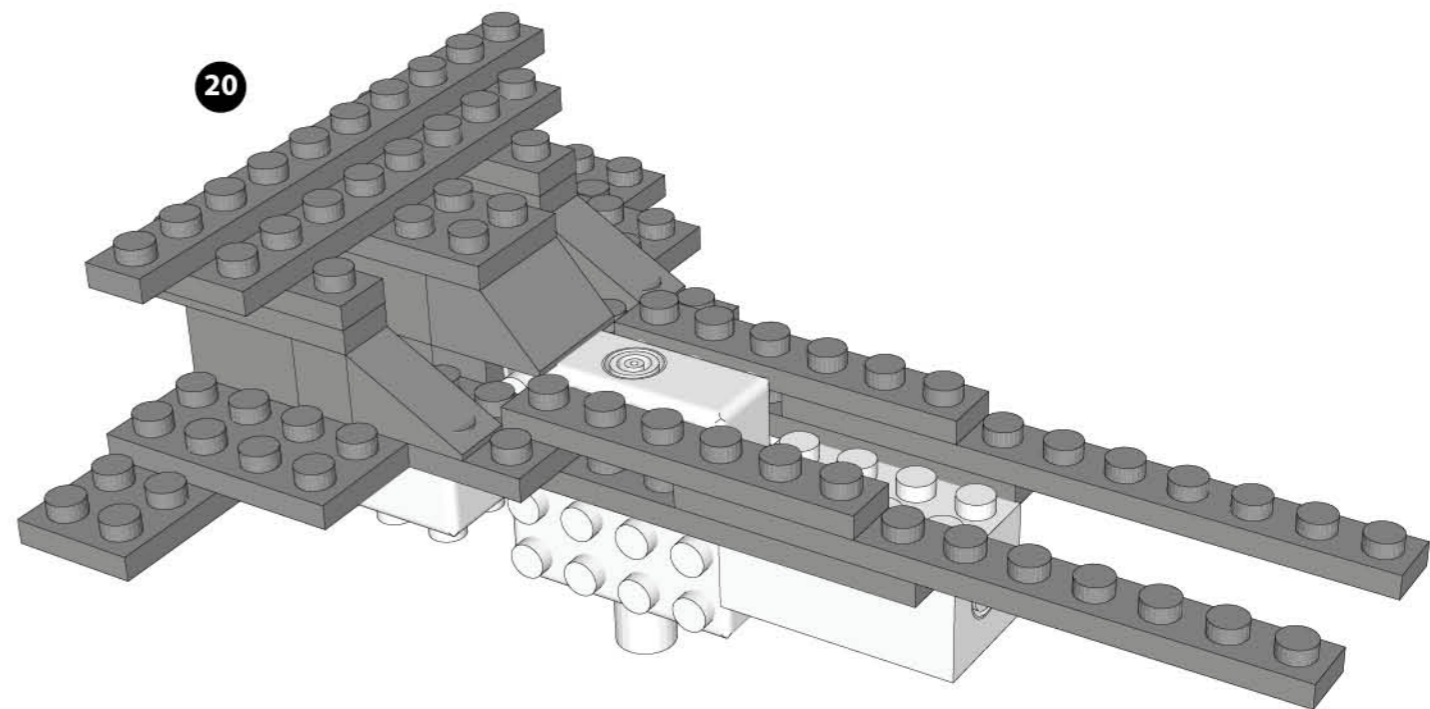
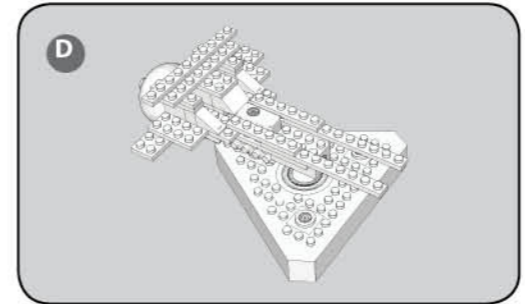
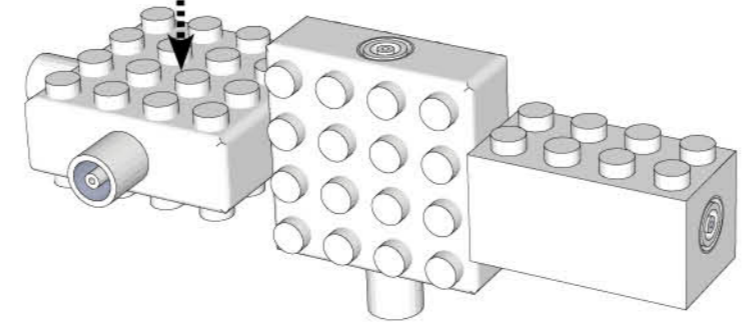
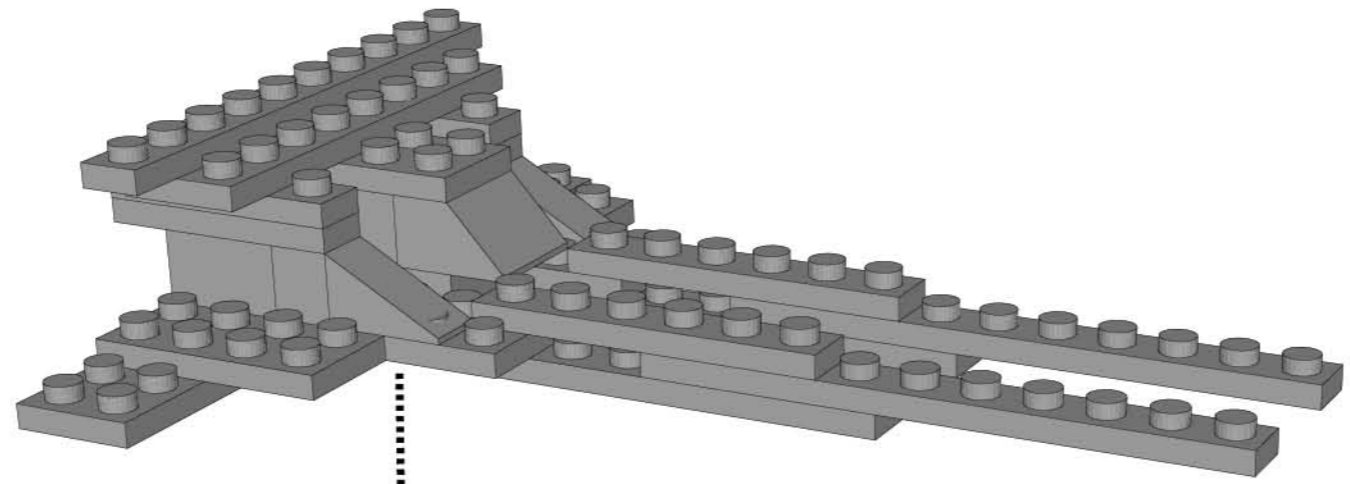
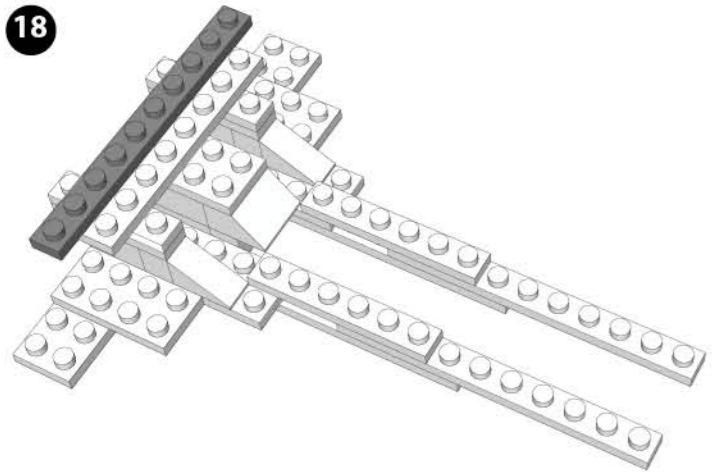
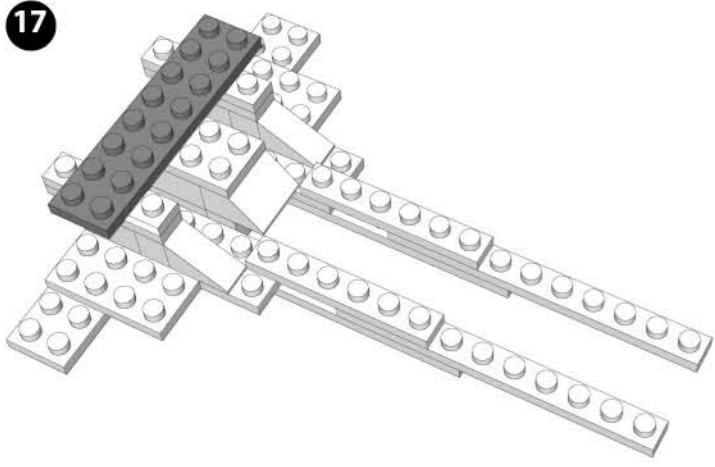


15



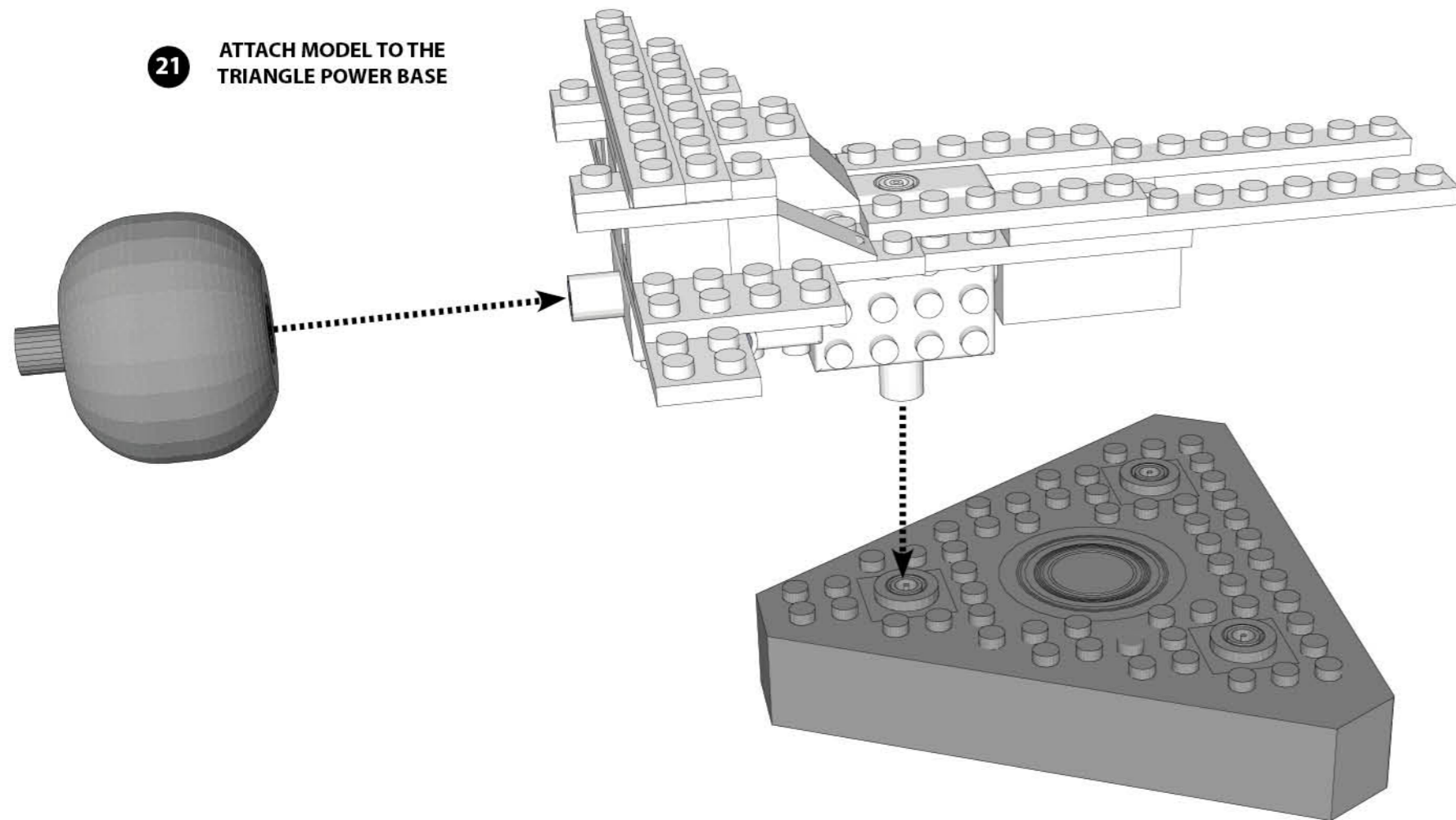
16





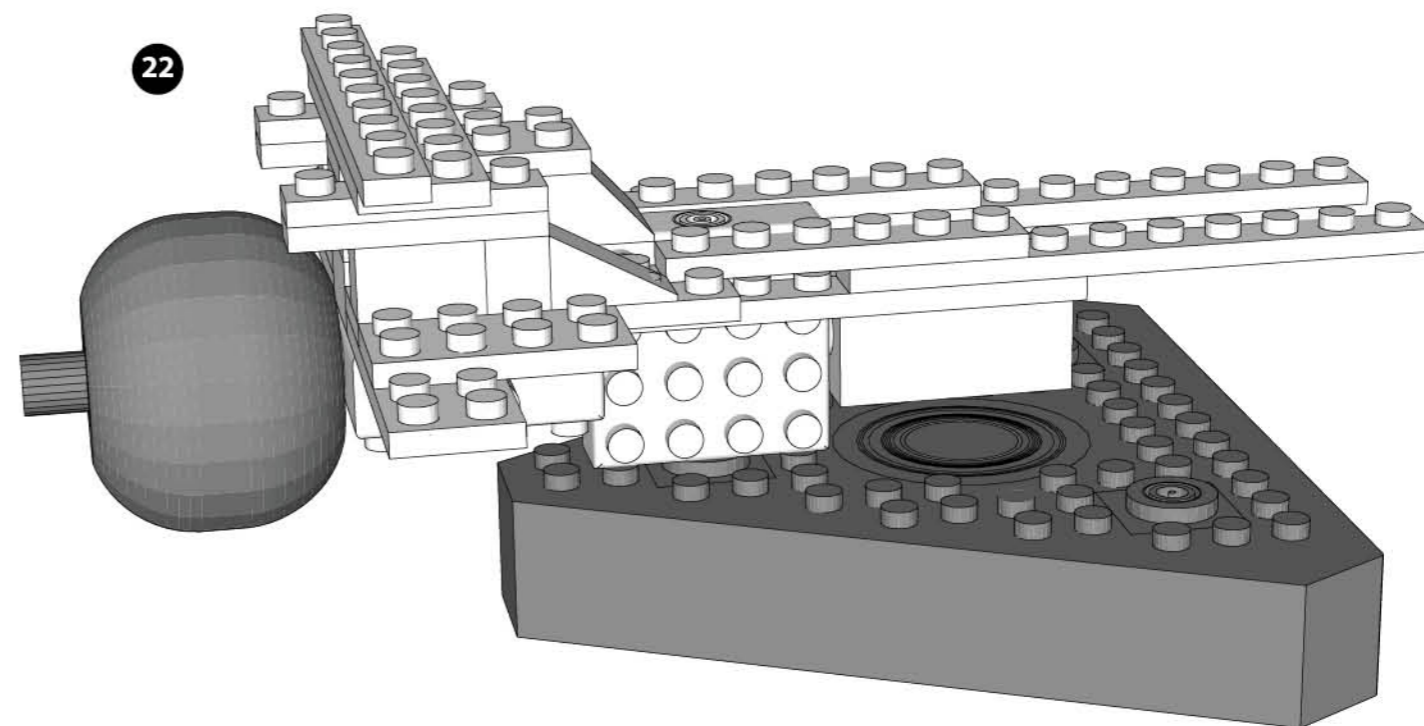
21

ATTACH MODEL TO THE TRIANGLE POWER BASE



Laser Pegs® CARES
 Questions? Comments?
 For additional compliance info:
 1-866-432-3735
 Contact: Support@LaserPegs.com

22



Environmental Phenomena

* The unit may malfunction if subjected to radio-frequency interference. It SHOULD revert to normal operation when the interference stops. If not, it may become necessary to turn the power off and back on, or remove and reinstall the batteries.

* In the unlikely event of an electrostatic discharge, the unit may malfunction and lose memory, requiring the user to reset the device by removing and reinstalling the batteries.

LASER PEGS®

The Ultimate Construction Toy For Kids®

**G1270B
HELICOPTER**

AGES 5+

8 Models+
ANY CREATION YOU CAN BUILD

LIGHTED
CONSTRUCTION SET INCLUDES:

- 10 Laser Pegs®
- 78 Construction Parts
- Laser Pegs® Peg Cord
- Triangle Power Base
- Instruction Manual

Requires 3-AA Batteries

Batteries NOT
Included

EN71, RoHS COMPLIANT

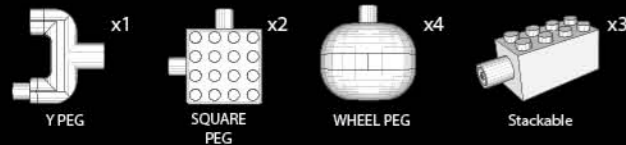
This product complies to
all safety requirements
of ASTM F 963



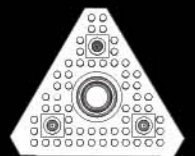
MODEL INSTRUCTIONS

All additional model instructions can
be downloaded at www.LaserPegs.com

Laser Peg® Parts List



Color Code Each Laser Peg® is color coded on the circuit board inside each shape.

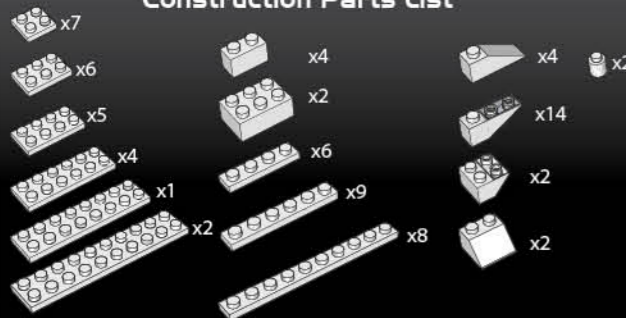


Sound Activated
Triangle Power Base



Laser Pegs®
Peg Cord

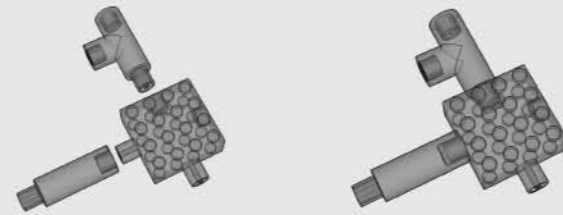
Construction Parts List



www.LaserPegs.com

This manual is copyright and cannot be reproduced or used online without Laser Pegs® Ventures LLC permission. Copyright 2014 © All Rights Reserved US Patent #7,731,558 Additional Global & Multiple Patents Pending. Laser Pegs® Ventures LLC, 8304 Consumer Ct., Sarasota FL 34240. Contact: Support@LaserPegs.com

Connecting Pegs



To construct with Laser Pegs®, slide two pieces together to form a connection. Slide each piece on and off smoothly. The 90° Pegs are essential to construction but they DO NOT LIGHT UP.

Environmental Phenomena

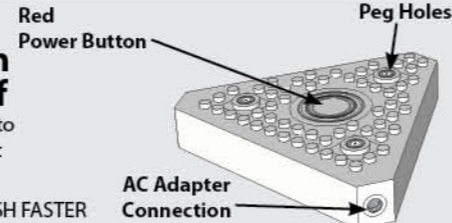
* The unit may malfunction if subjected to radio-frequency interference. It SHOULD revert to normal operation when the interference stops. If not, it may become necessary to turn the power off and back on, or remove and reinstall the batteries.

* In the unlikely event of an electrostatic discharge, the unit may malfunction and lose memory, requiring the user to reset the device by removing and reinstalling the batteries.

Push Red Power Button to turn on/off

Push Red Power Button to cycle through 4 different light settings.

SOUND/ON/FLASH/FLASH FASTER

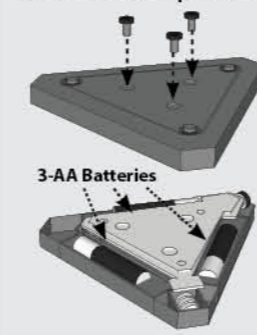


**WARNING: STROBE LIGHTS
MAY CAUSE SEIZURES**

Replacing Batteries

1. Remove the three (3) screws.
2. Place three (3) AA batteries in the correct position - as displayed inside the Triangle Power Base.
3. Reassemble the Triangle Power Base.
4. Replace the three (3) screws.
5. Push RED Power Button to turn on!
6. Do not mix old and new batteries.
7. Do not mix alkaline, standard (carbon-zinc), or rechargeable (nickel-cadmium, NiMH) batteries!
8. Exhausted batteries are to be removed from the Triangle Power Base.
9. Never connect more than 200 Laser Pegs®
10. Non-rechargeable batteries are not to be recharged.
11. Rechargeable batteries are only to be recharged under adult supervision.
12. Rechargeable batteries are to be removed from the toy before being recharged.
13. Batteries are to be inserted with the correct polarity.
14. The supply terminals are not to be short-circuited.
15. DO NOT THROW BATTERIES INTO FIRE!

Remove the 3 Phillips head screws



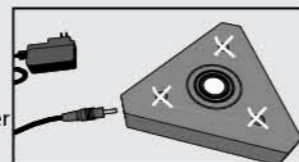
3-AA Batteries

Remove the three Phillips head screws with a 4mm screw driver.
Requires (3AA) Batteries

Please dispose of batteries properly as per state and local regulations.

Using an AC Adapter

Remove all batteries from Laser Pegs® power base before using the 5-volt AC adapter.



When using an AC Adapter, NEVER place the adapter plug into the Triangle Power Base top peg holes.

*To avoid short-circuits, keep metal objects and other unauthorized materials from obstructing the peg holes.

Never connect more than 200 Laser Pegs® when using a 5-volt (2000mA) AC Adapter.

The AC adapter and the Triangle Power Base are to be regularly examined for damage to the cord, plug, enclosure and other parts, and in the event of such damage, they must not be used until the damage has been repaired.

WARNING! Each Laser Peg® draws current from the batteries. Therefore, the more pegs you use, the quicker you will deplete your battery power! As the power weakens, the current will slowly fail and some Laser Pegs® will illuminate (typically the reds and yellows) and some won't. When the Laser Pegs® dim the Laser Pegs® are not broken, they just need stronger batteries or an AC Adapter. You have 3 simple options...

1. Use a 5-volt AC Adapter -available from www.LaserPegs.com
2. Change the batteries.
3. Use high quality batteries. They will last a little longer, but they will still deplete rapidly the more laser pegs you connect!

DO NOT SUBMERGE IN WATER

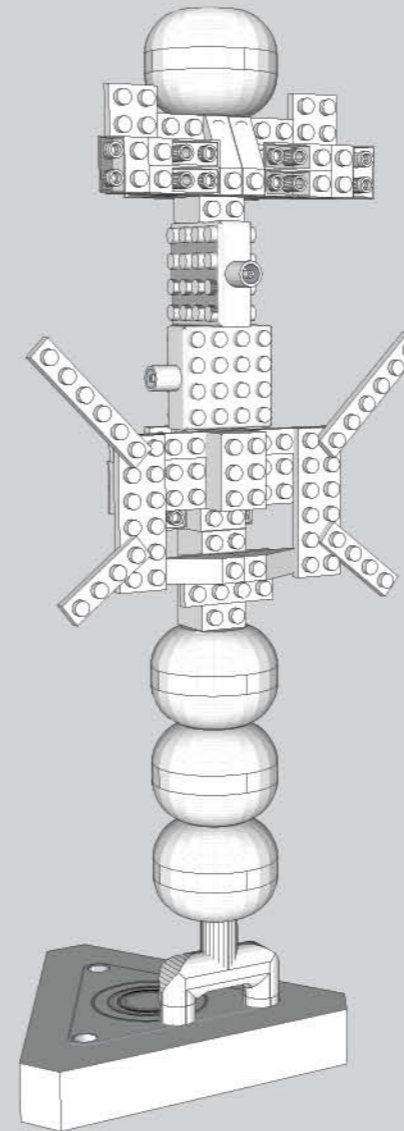
SATELLITE TOWER — A large device created to send and receive info to and from orbiting satellites.



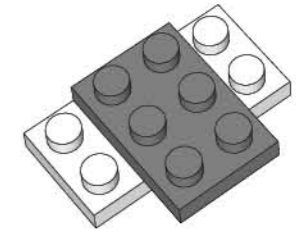
SATELLITE TOWER

Model
Difficulty
Level

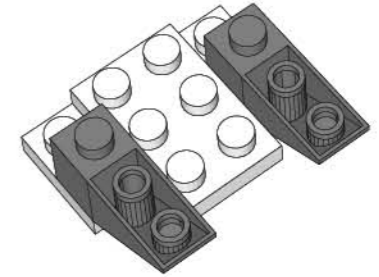
1



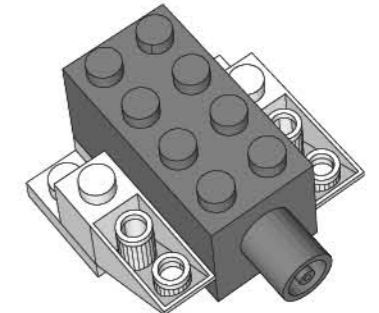
STEP
2



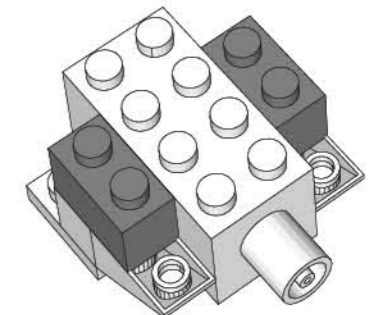
STEP
3



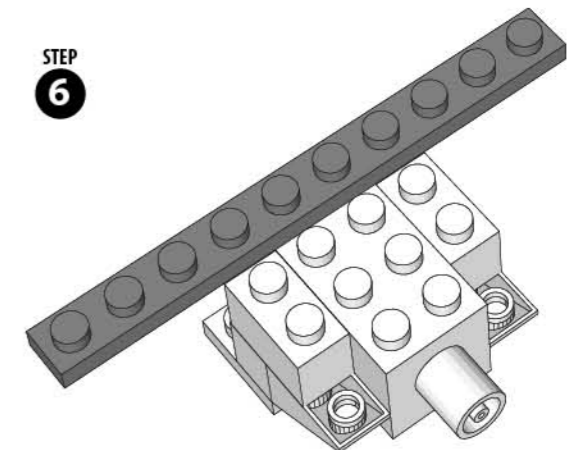
STEP
4



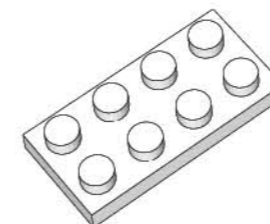
STEP
5



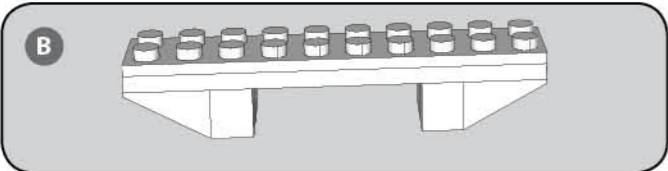
STEP
6



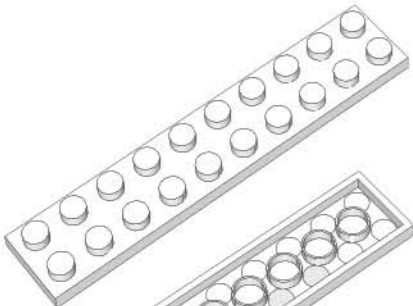
STEP
1



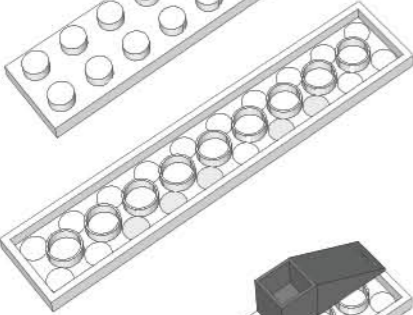
The toy is not to be connected to more than the recommended number of power supplies



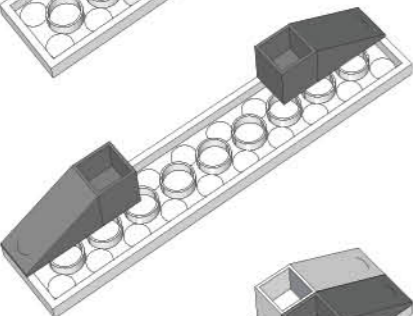
STEP 7



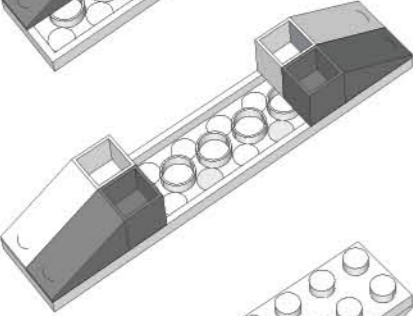
STEP 8



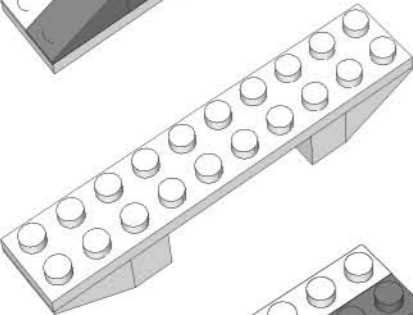
STEP 9



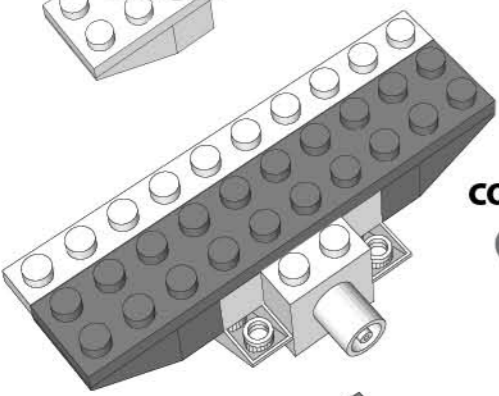
STEP 10



STEP 11

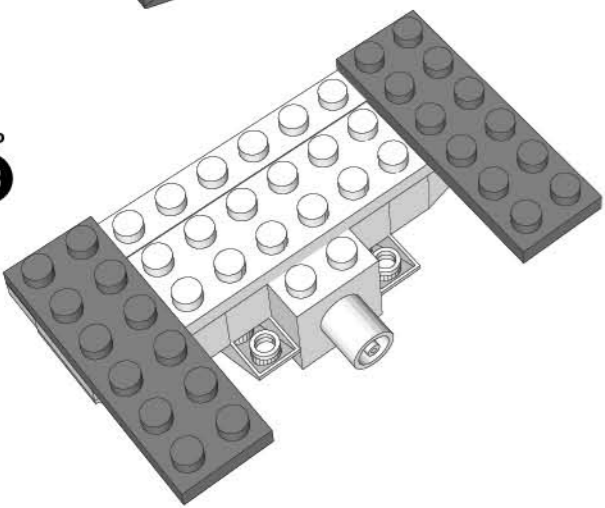


STEP 12

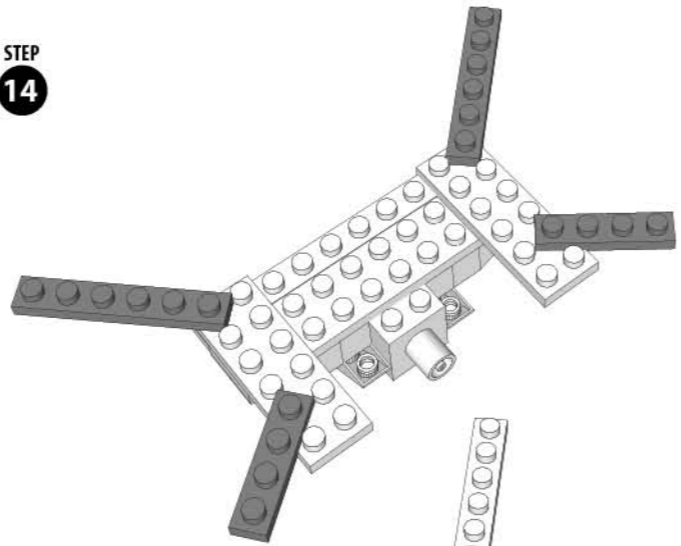


COMBINE STEP 6 B

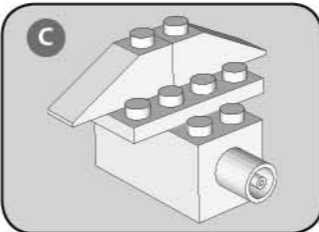
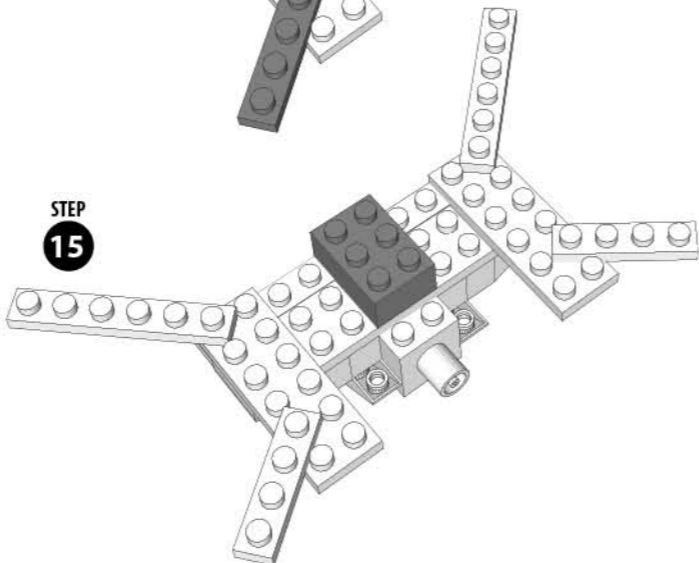
STEP 13



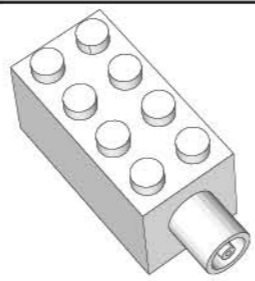
STEP 14



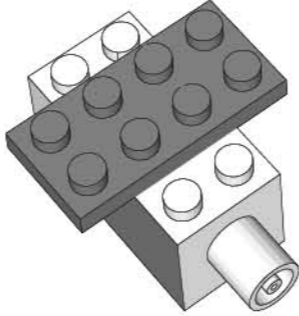
STEP 15



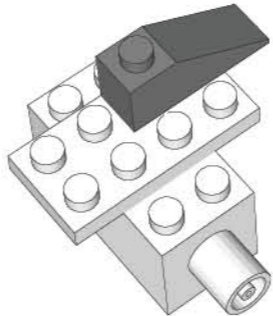
STEP 16



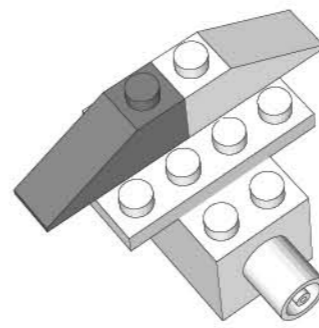
STEP 17



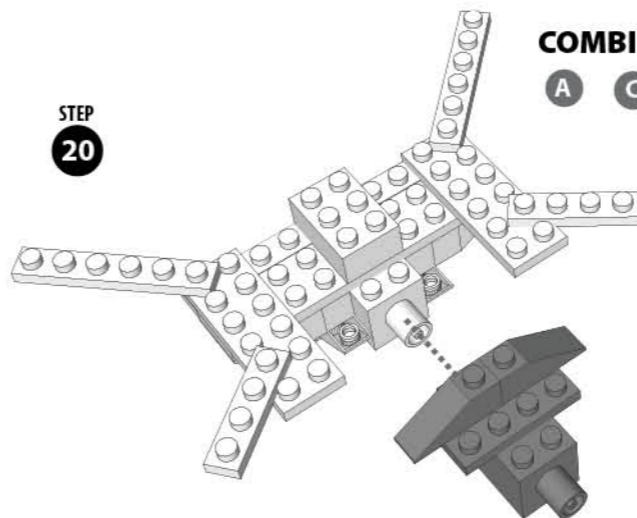
STEP 18



STEP 19

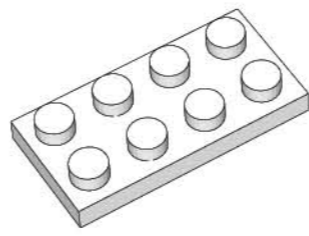


STEP 20

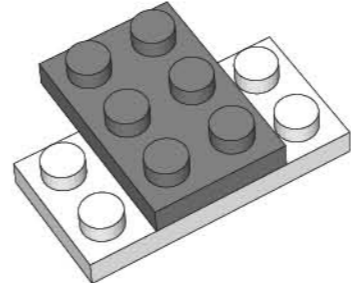


COMBINE A C

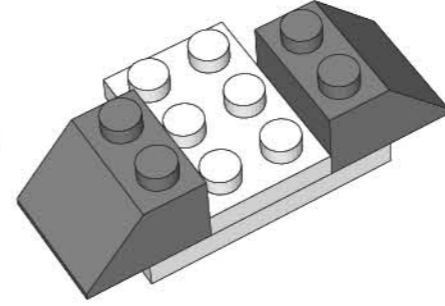
STEP 21



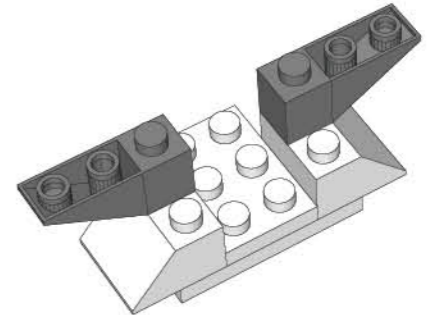
STEP 22



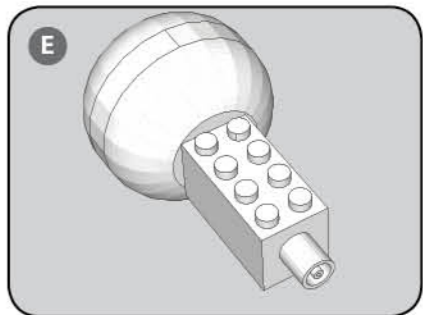
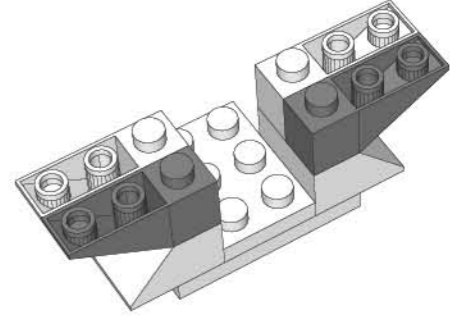
STEP 23



STEP 24



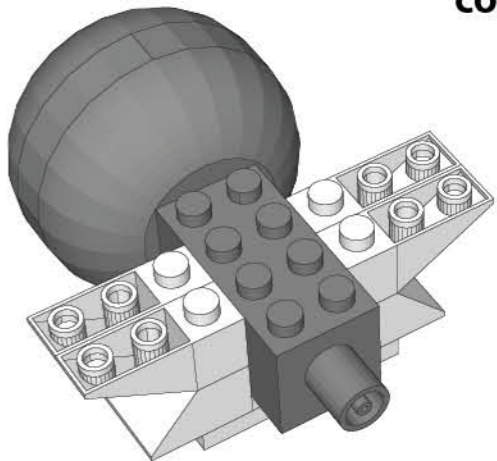
STEP 25



STEP 26

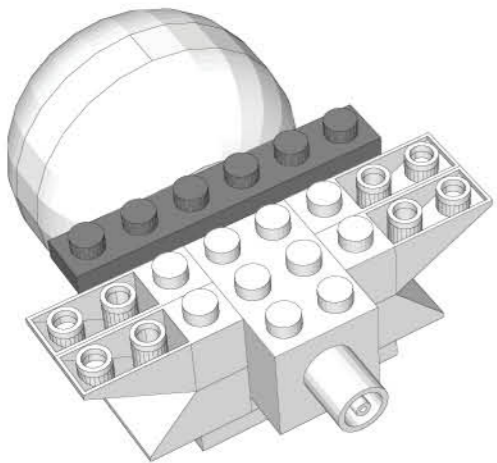


STEP 27

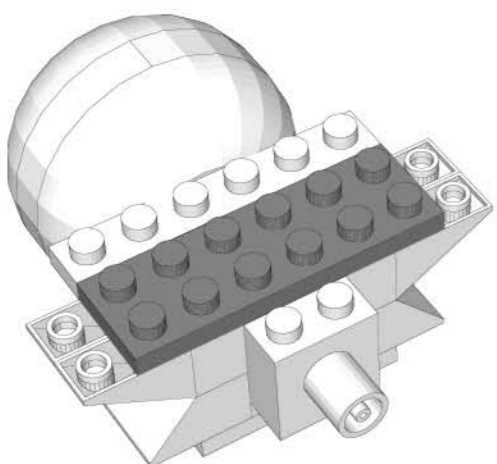


COMBINE E

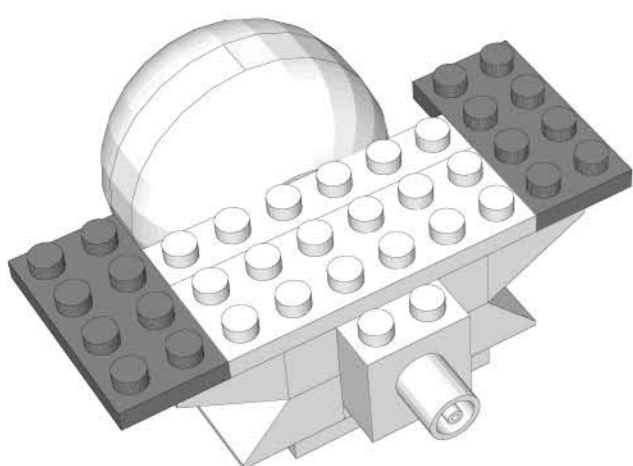
STEP 28



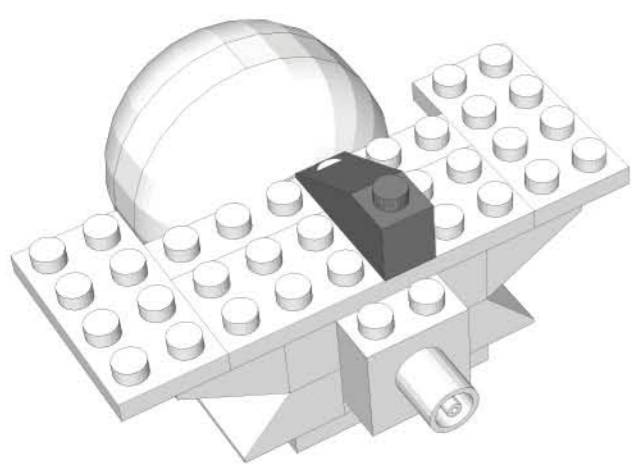
STEP 29



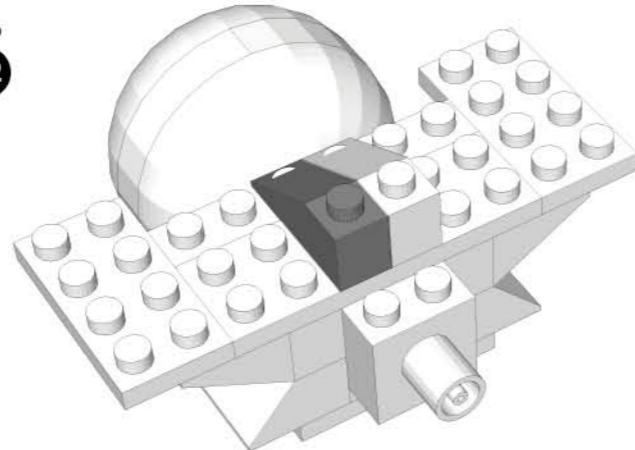
STEP 30



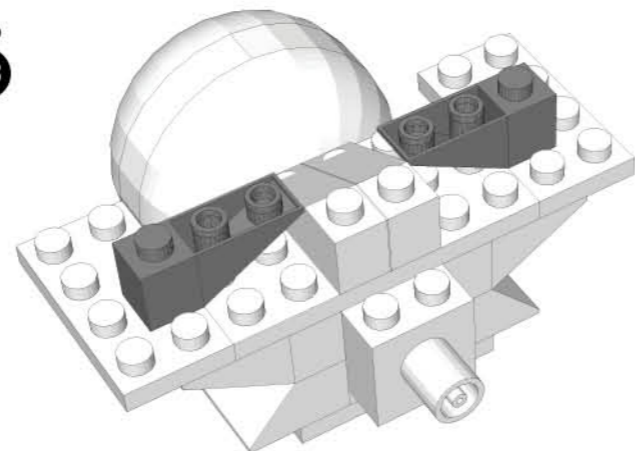
STEP 31



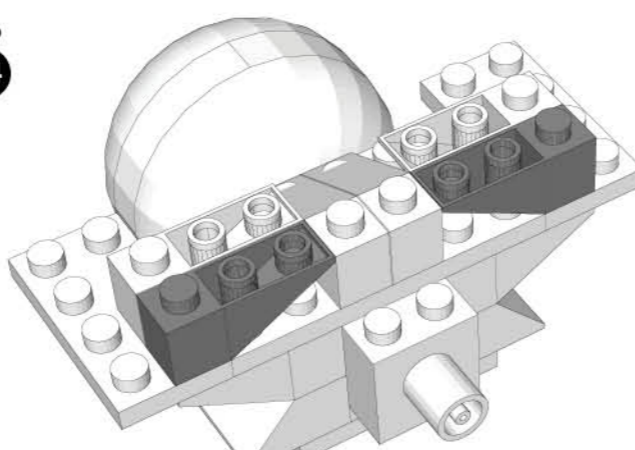
STEP 32



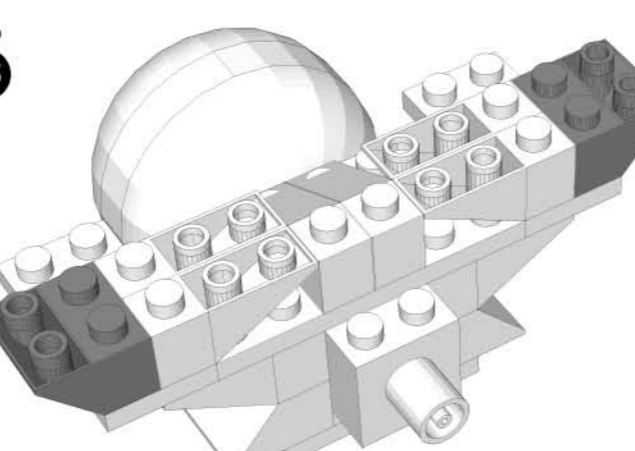
STEP 33



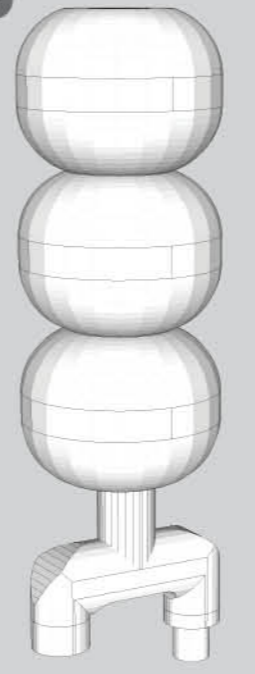
STEP 34



STEP 35



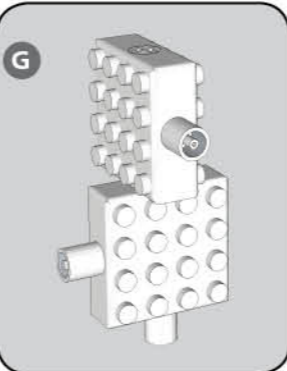
F



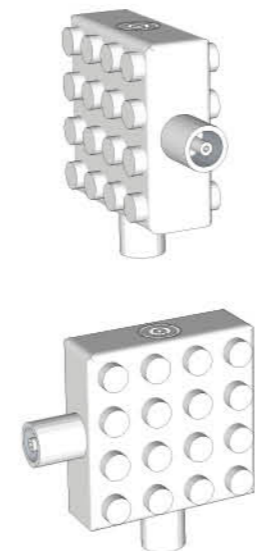
STEP 36



G



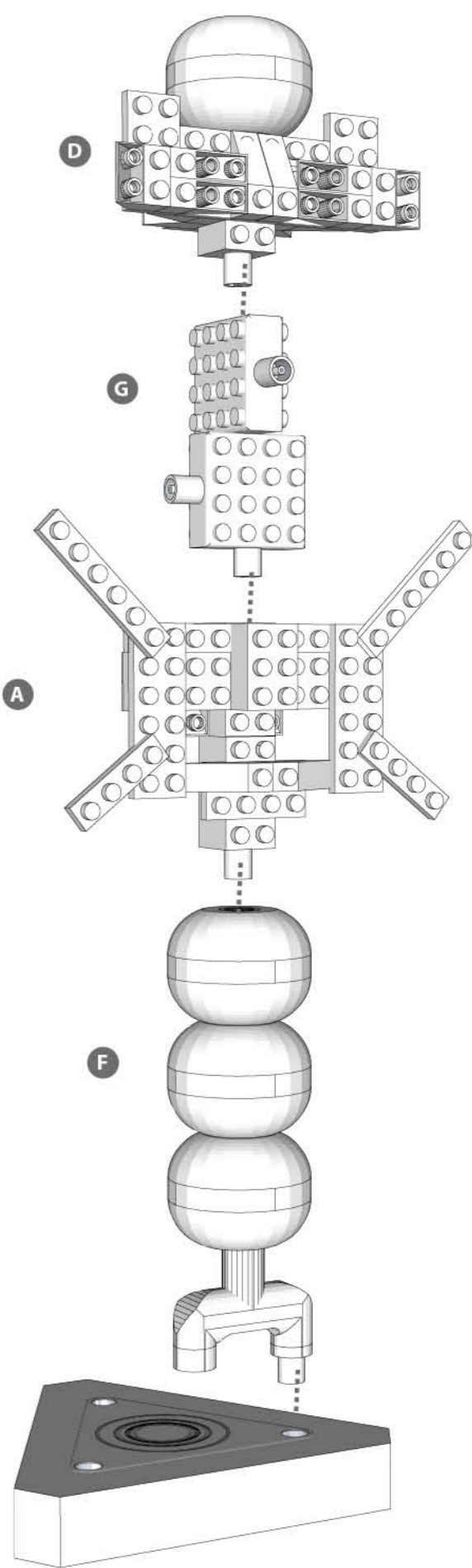
STEP 37



STEP 38

COMBINE

A D F G



www.LaserPegs.com

Copyright 2014 © All Rights Reserved Global & Multiple Patents Pending. US Patent #7,731,558

LASER PEGS®

The Ultimate Construction Toy For Kids®

**G1270B
HELICOPTER**

AGES 5+

8 Models+

ANY CREATION YOU CAN BUILD

LIGHTED

CONSTRUCTION SET INCLUDES:

- 10 Laser Pegs®
- 78 Construction Parts
- Laser Pegs® Peg Cord
- Triangle Power Base
- Instruction Manual

Requires 3-AA Batteries

Batteries NOT
Included

EN71, RoHS COMPLIANT

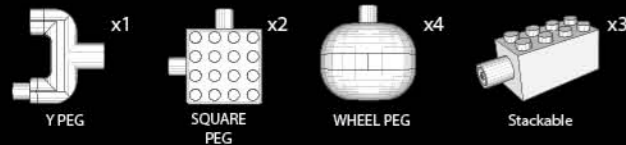
**WARNING:
CHOKING HAZARD**-Small parts.
Not for children under 3 yrs.
Do not submerge in water.

This product complies to
all safety requirements
of ASTM F 963

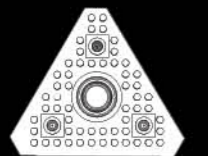
MODEL INSTRUCTIONS

All additional model instructions can
be downloaded at www.LaserPegs.com

Laser Peg® Parts List



Color Code Each Laser Peg® is color coded on the circuit board inside each shape.

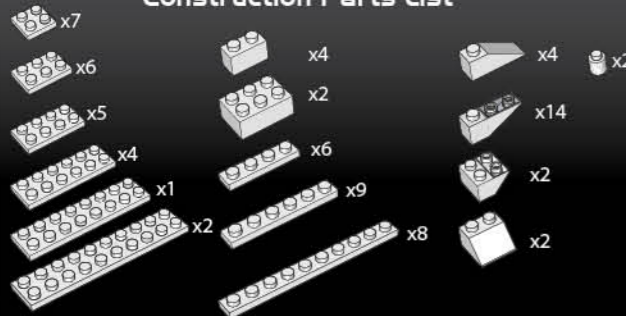


Sound Activated
Triangle Power Base



Laser Pegs®
Peg Cord

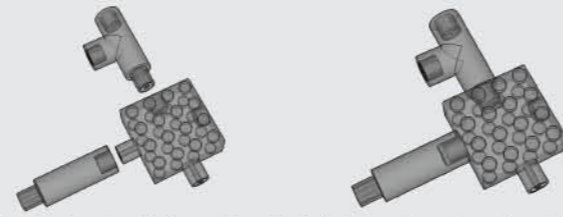
Construction Parts List



www.LaserPegs.com

This manual is copyright and cannot be reproduced or used online without Laser Pegs® Ventures LLC permission. Copyright 2014 © All Rights Reserved US Patent #7,731,558 Additional Global & Multiple Patents Pending. Laser Pegs® Ventures LLC, 8304 Consumer Ct., Sarasota FL 34240. Contact: Support@LaserPegs.com

Connecting Pegs



To construct with Laser Pegs®, slide two pieces together to form a connection. Slide each piece on and off smoothly. The 90° Pegs are essential to construction but they DO NOT LIGHT UP.

Environmental Phenomena

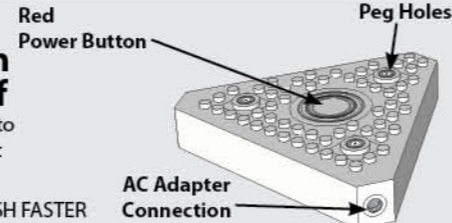
* The unit may malfunction if subjected to radio-frequency interference. It SHOULD revert to normal operation when the interference stops. If not, it may become necessary to turn the power off and back on, or remove and reinstall the batteries.

* In the unlikely event of an electrostatic discharge, the unit may malfunction and lose memory, requiring the user to reset the device by removing and reinstalling the batteries.

Push Red Power Button to turn on/off

Push Red Power Button to cycle through 4 different light settings.

SOUND/ON/FLASH/FLASH FASTER

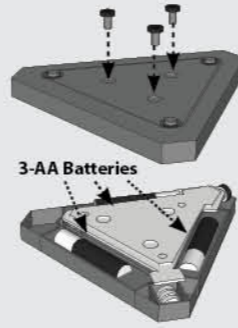


**WARNING: STROBE LIGHTS
MAY CAUSE SEIZURES**

Replacing Batteries

1. Remove the three (3) screws.
2. Place three (3) AA batteries in the correct position - as displayed inside the Triangle Power Base.
3. Reassemble the Triangle Power Base.
4. Replace the three (3) screws.
5. Push RED Power Button to turn on!
6. Do not mix old and new batteries.
7. Do not mix alkaline, standard (carbon-zinc), or rechargeable (nickel-cadmium, NiMH) batteries!
8. Exhausted batteries are to be removed from the Triangle Power Base.
9. Never connect more than 200 Laser Pegs®
10. Non-rechargeable batteries are not to be recharged.
11. Rechargeable batteries are only to be recharged under adult supervision.
12. Rechargeable batteries are to be removed from the toy before being recharged.
13. Batteries are to be inserted with the correct polarity.
14. The supply terminals are not to be short-circuited.
15. DO NOT THROW BATTERIES INTO FIRE!

Remove the 3 Phillips head screws



3-AA Batteries

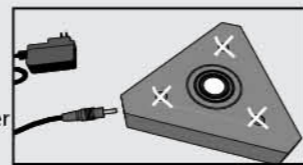


Remove the three Phillips head screws with a 4mm screw driver.
Requires (3AA) Batteries

Please dispose of batteries properly as per state and local regulations.

Using an AC Adapter

Remove all batteries from Laser Pegs® power base before using the 5-volt AC adapter.



When using an AC Adapter, NEVER place the adapter plug into the Triangle Power Base top peg holes.

*To avoid short-circuits, keep metal objects and other unauthorized materials from obstructing the peg holes.

Never connect more than 200 Laser Pegs® when using a 5-volt (2000mA) AC Adapter.

The AC adapter and the Triangle Power Base are to be regularly examined for damage to the cord, plug, enclosure and other parts, and in the event of such damage, they must not be used until the damage has been repaired.

WARNING! Each Laser Peg® draws current from the batteries. Therefore, the more pegs you use, the quicker you will deplete your battery power! As the power weakens, the current will slowly fail and some Laser Pegs® will illuminate (typically the reds and yellows) and some won't. When the Laser Pegs® dim the Laser Pegs® are not broken, they just need stronger batteries or an AC Adapter.

You have 3 simple options...

1. Use a 5-volt AC Adapter -available from www.LaserPegs.com
2. Change the batteries.
3. Use high quality batteries. They will last a little longer, but they will still deplete rapidly the more laser pegs you connect!

DO NOT SUBMERGE IN WATER

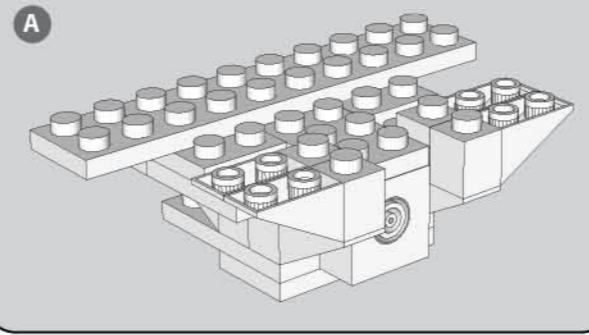
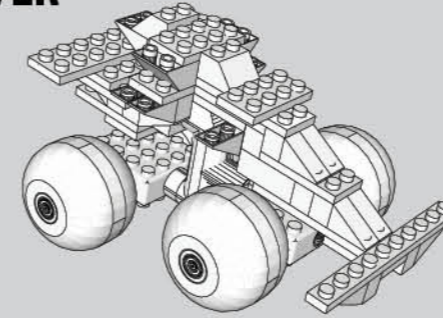
SAND ROVER — A strong, stubby vehicle designed to drive on sandy terrain.



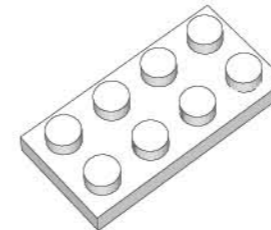
SAND ROVER

Model
Difficulty
Level

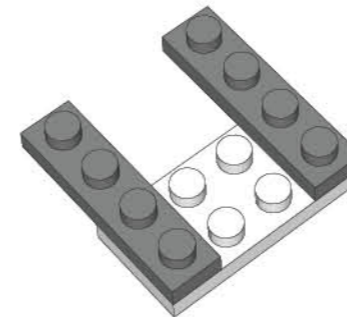
1



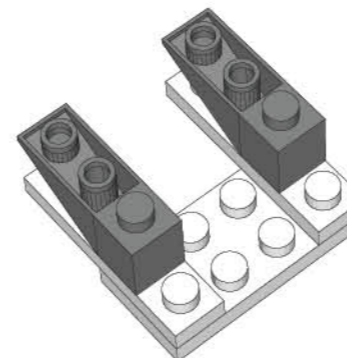
STEP
1



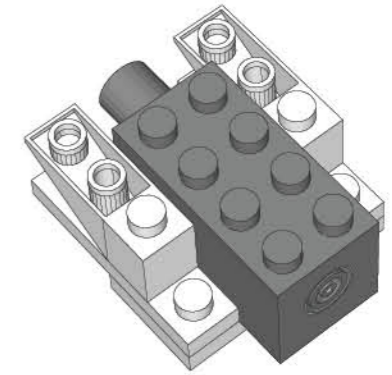
STEP
2



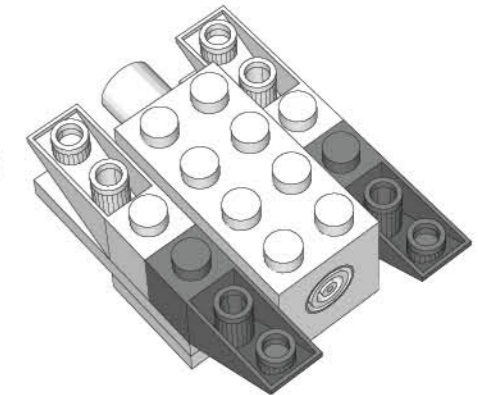
STEP
3



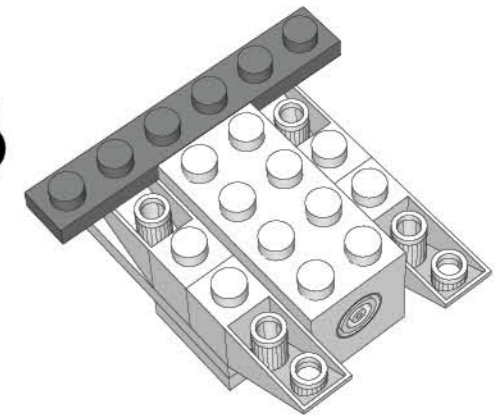
STEP
4



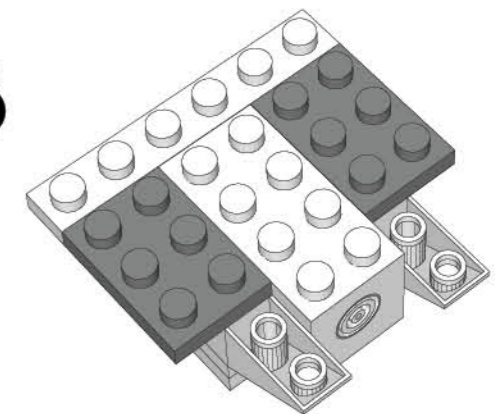
STEP
5



STEP
6

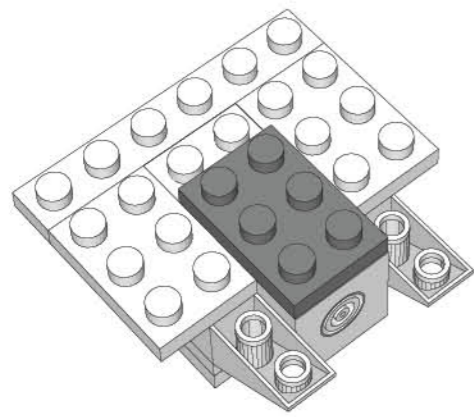


STEP
7

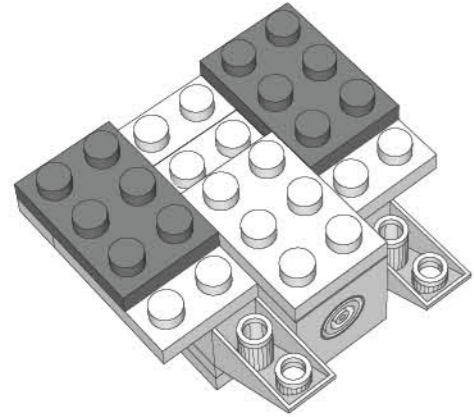


The toy is not to be connected to more than the recommended number of power supplies

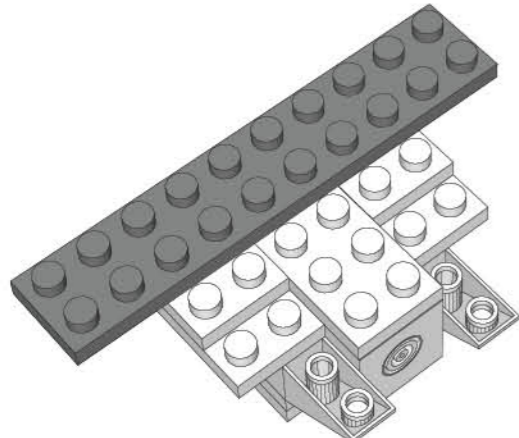
STEP 8



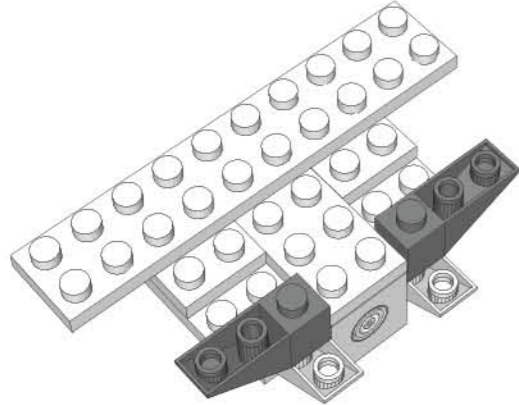
STEP 9



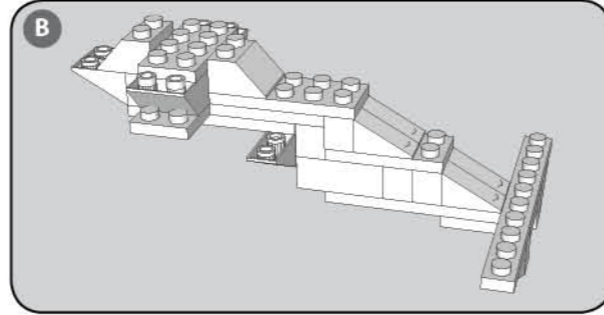
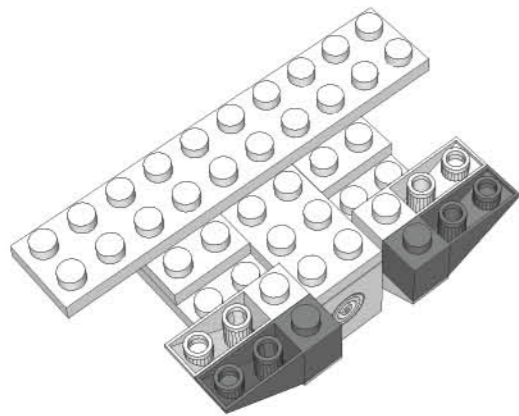
STEP 10



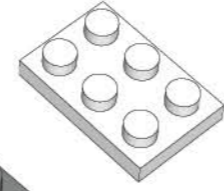
STEP 11



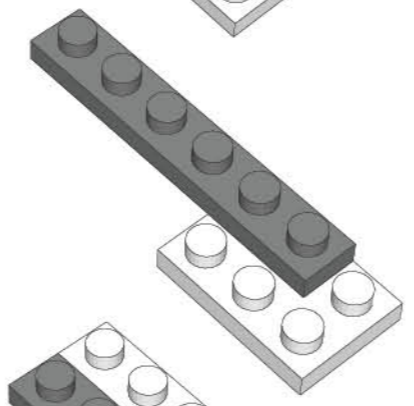
STEP 12



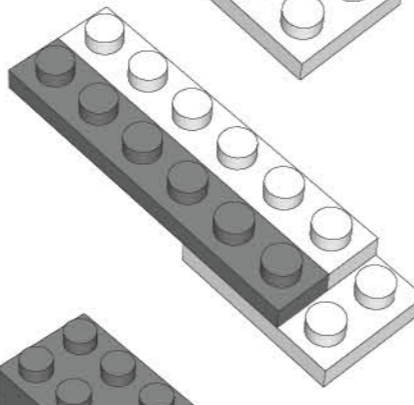
STEP 13



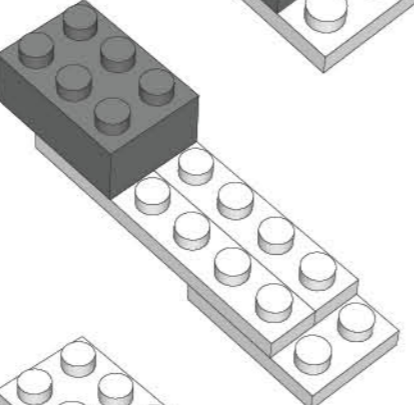
STEP 14



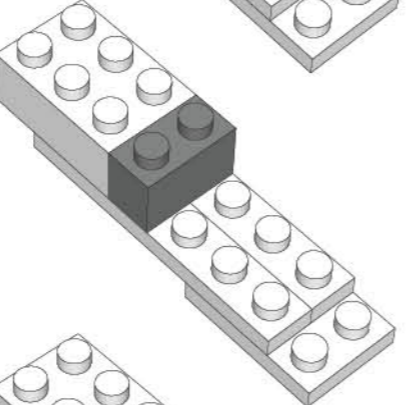
STEP 15



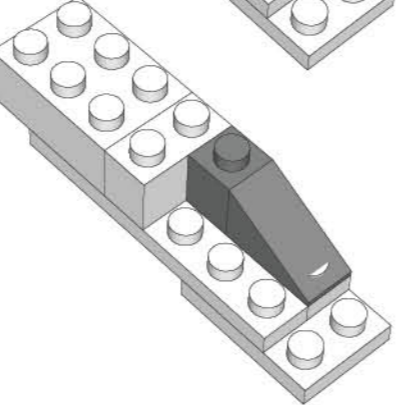
STEP 16



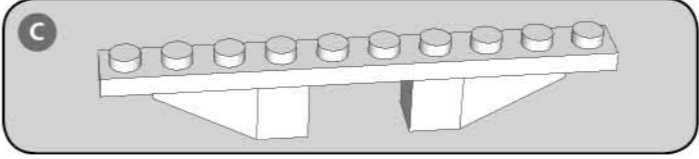
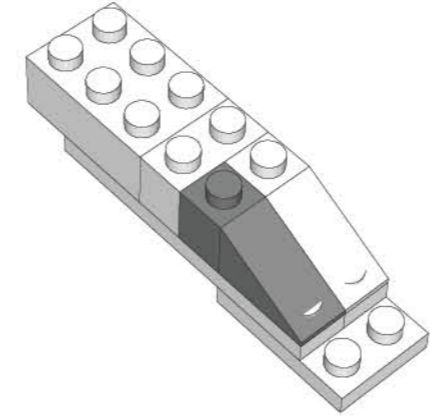
STEP 17



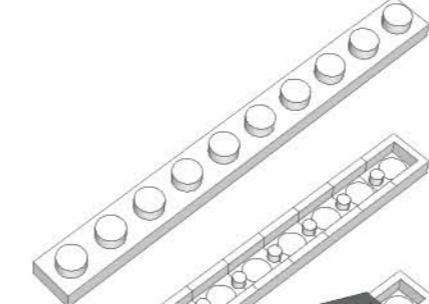
STEP 18



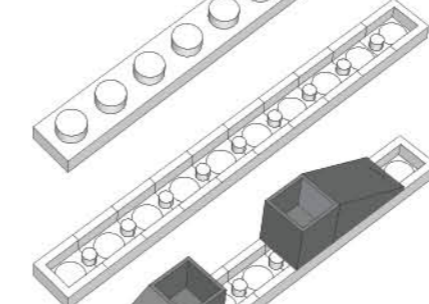
STEP 19



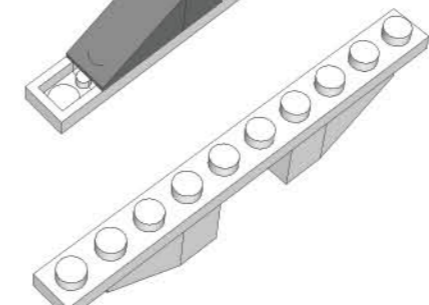
STEP 20



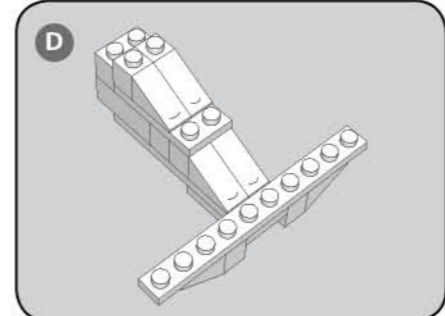
STEP 21



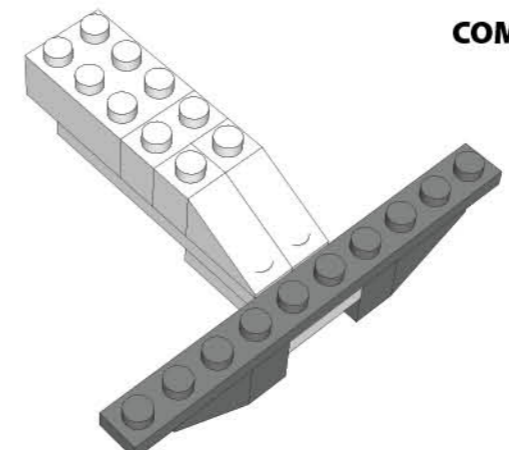
STEP 22



STEP 23



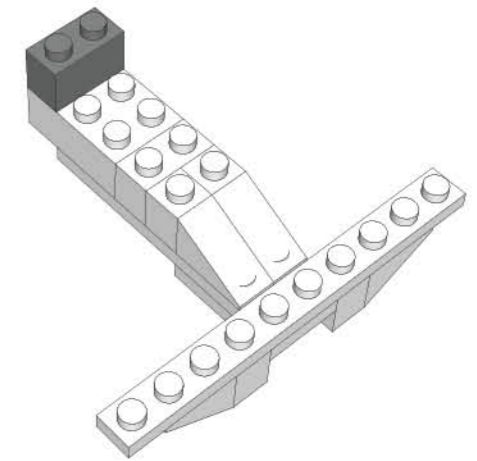
STEP 24



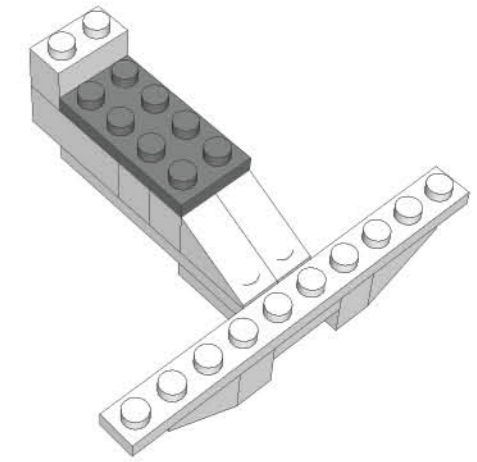
COMBINE

C

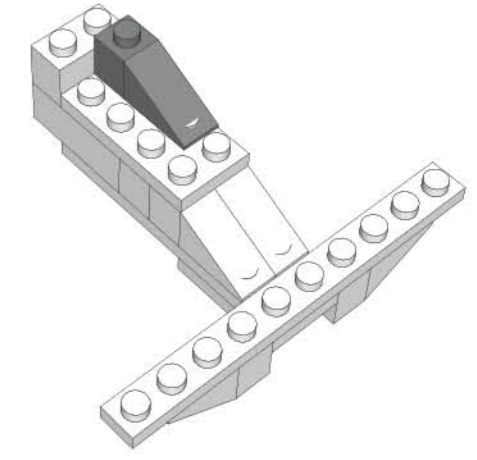
STEP 25



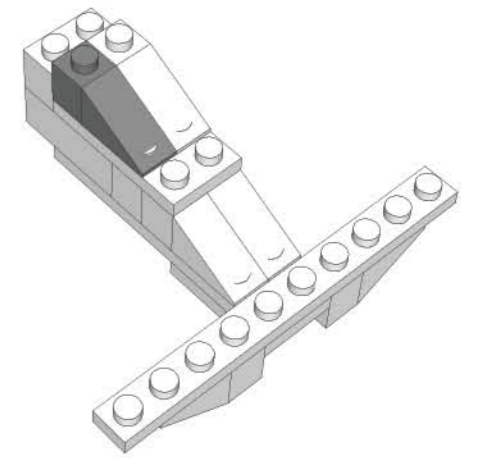
STEP 26

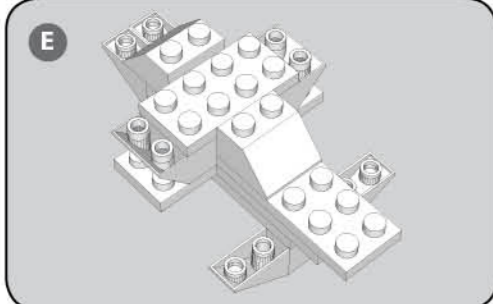


STEP 27



STEP 28





STEP 29

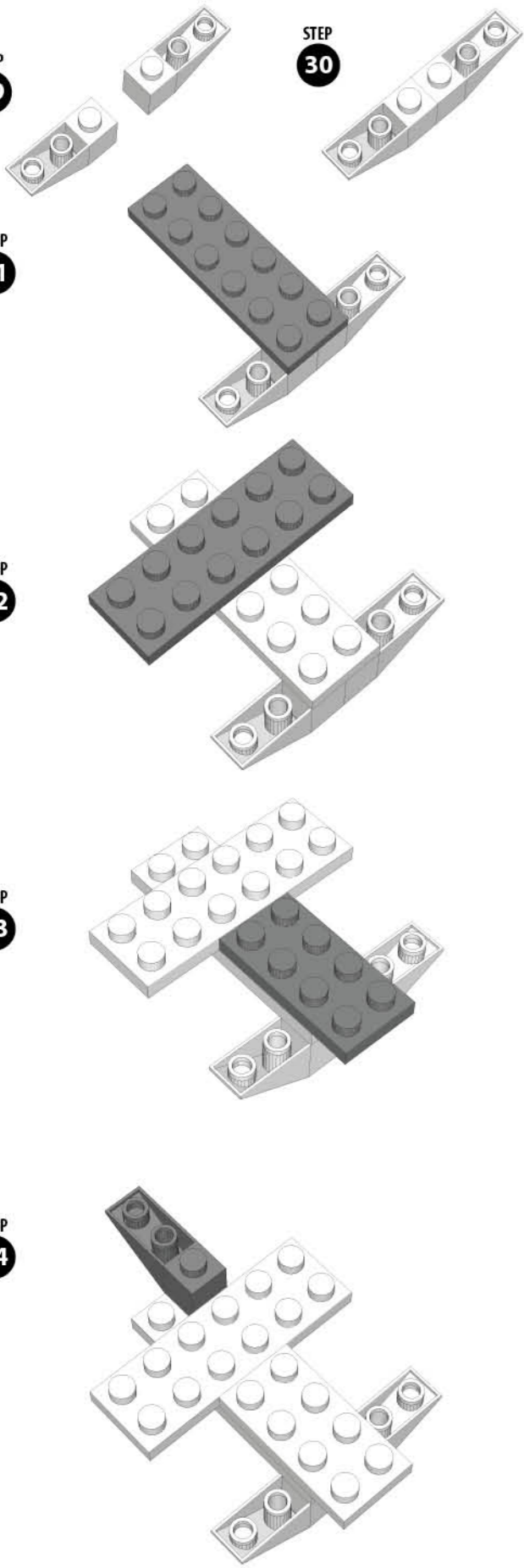
STEP 31

STEP 32

STEP 33

STEP 34

STEP 30



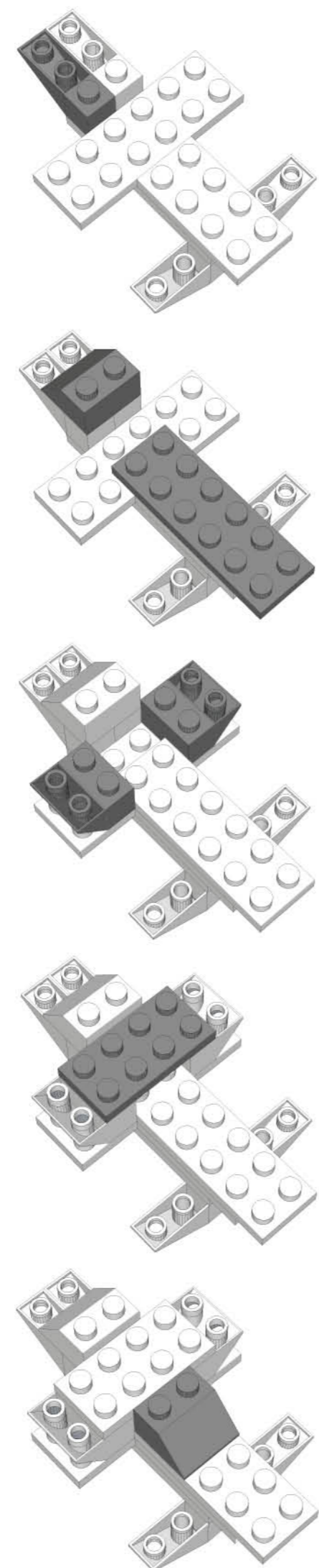
STEP 35

STEP 36

STEP 37

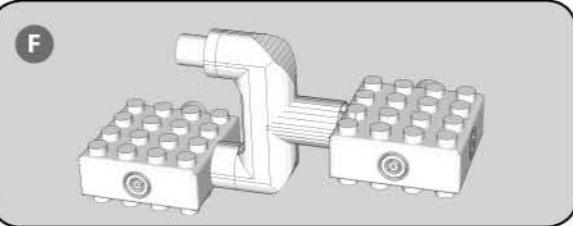
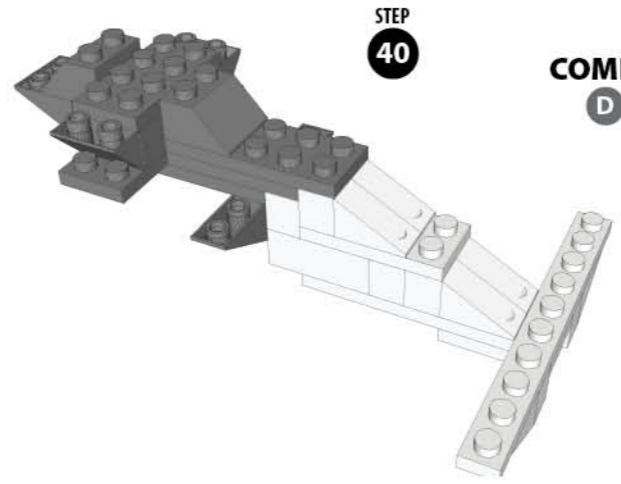
STEP 38

STEP 39

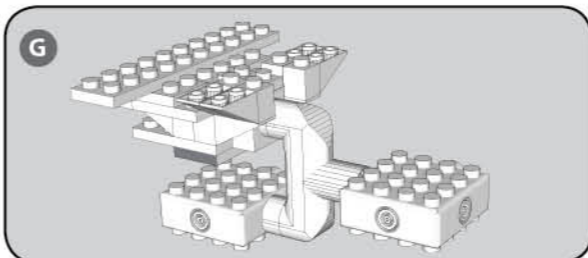
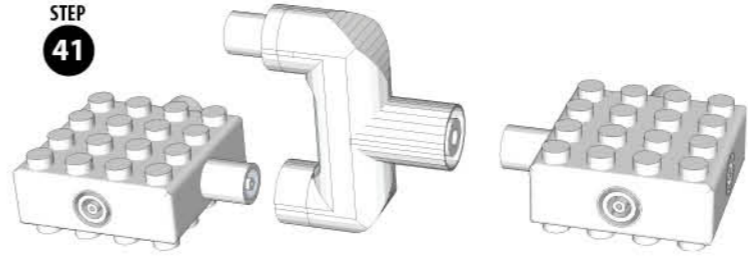


STEP 40

COMBINE D E

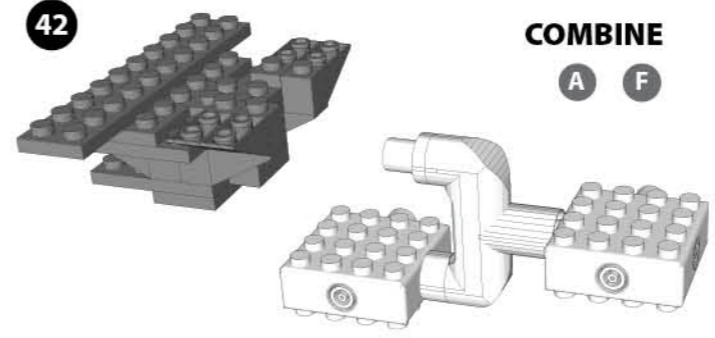


STEP 41

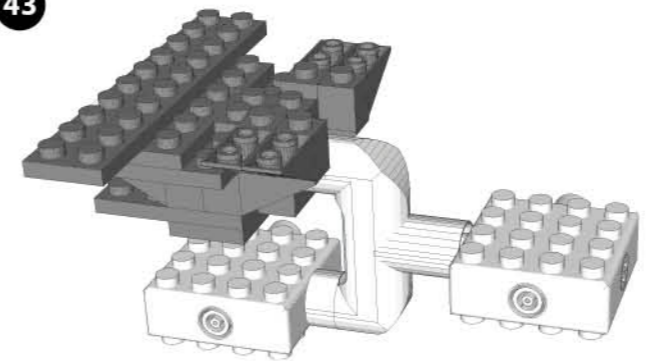


STEP 42

COMBINE A F

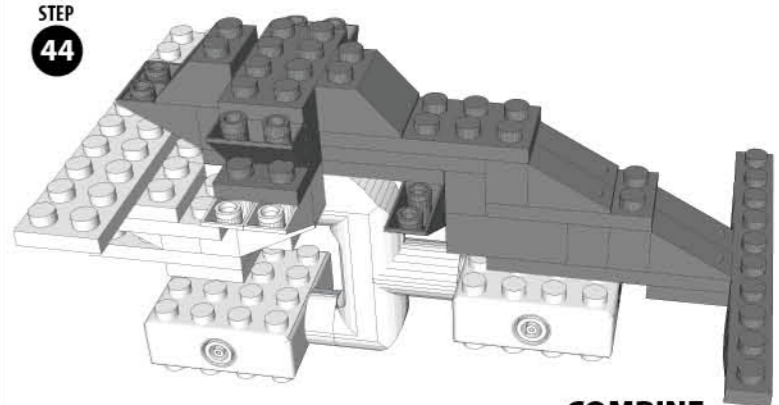


STEP 43

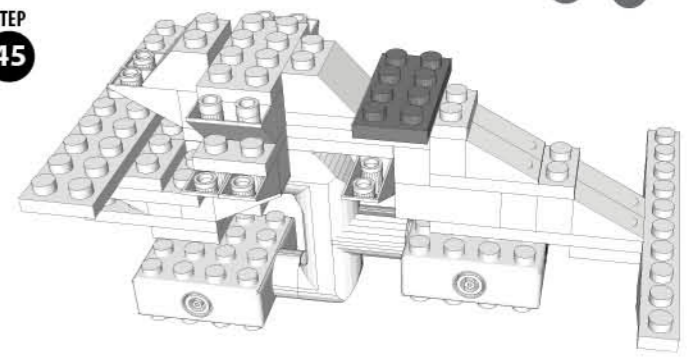


STEP 44

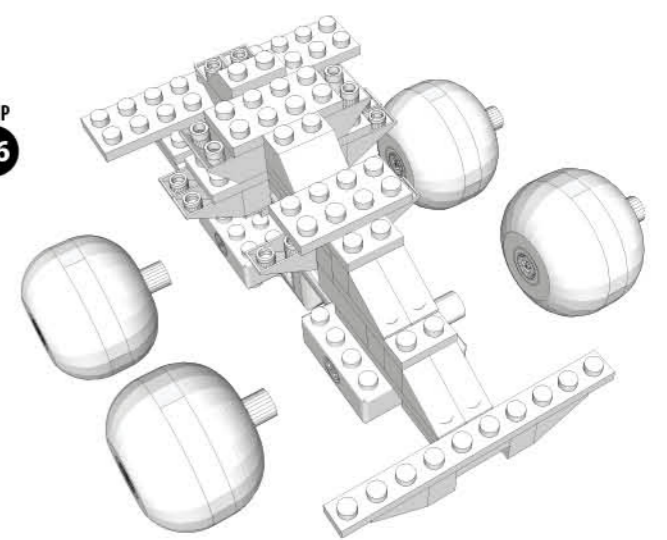
COMBINE B G



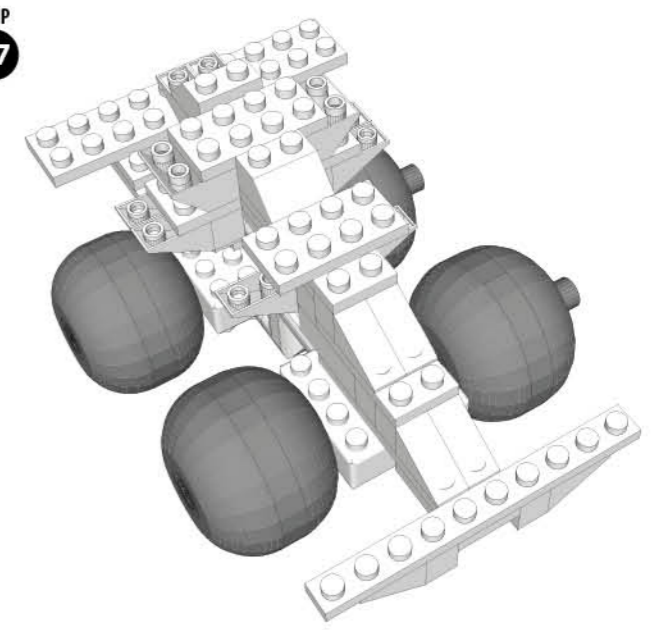
STEP 45



STEP 46



STEP 47



LASER PEGS®

The Ultimate Construction Toy For Kids®

**G1270B
HELICOPTER**

AGES 5+

8 Models+
ANY CREATION YOU CAN BUILD

LIGHTED
CONSTRUCTION SET INCLUDES:

- 10 Laser Pegs®
- 78 Construction Parts
- Laser Pegs® Peg Cord
- Triangle Power Base
- Instruction Manual

Requires 3-AA Batteries

Batteries NOT
Included

EN71, RoHS COMPLIANT

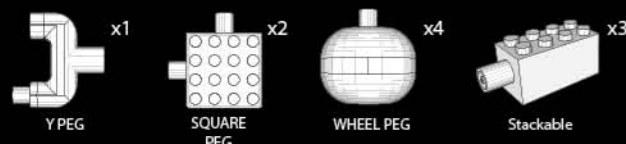
**WARNING:
CHOKING HAZARD**-Small parts.
Not for children under 3 yrs.
Do not submerge in water.

This product complies to
all safety requirements
of ASTM F 963

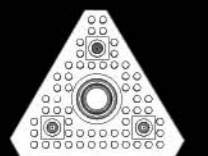
MODEL INSTRUCTIONS

All additional model instructions can
be downloaded at www.LaserPegs.com

Laser Peg® Parts List



Color Code Each Laser Peg® is color coded on the circuit board inside each shape.

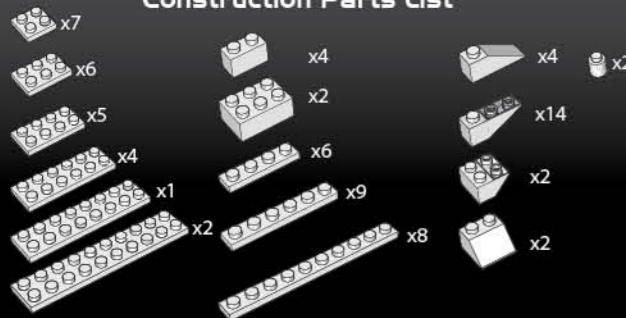


Sound Activated
Triangle Power Base



Laser Pegs®
Peg Cord

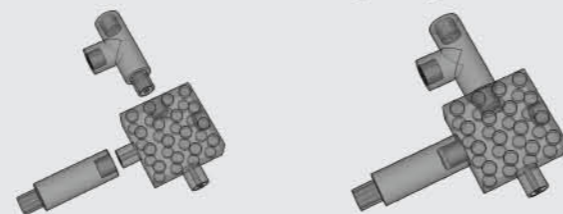
Construction Parts List



www.LaserPegs.com

This manual is copyright and cannot be reproduced or used online without Laser Pegs® Ventures LLC permission. Copyright 2014 © All Rights Reserved US Patent #7,731,558 Additional Global & Multiple Patents Pending. Laser Pegs® Ventures LLC, 8304 Consumer Ct., Sarasota FL 34240. Contact: Support@LaserPegs.com

Connecting Pegs



To construct with Laser Pegs®, slide two pieces together to form a connection. Slide each piece on and off smoothly. The 90° Pegs are essential to construction but they DO NOT LIGHT UP.

Environmental Phenomena

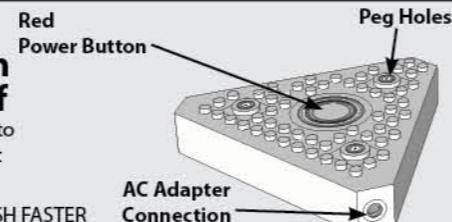
* The unit may malfunction if subjected to radio-frequency interference. It SHOULD revert to normal operation when the interference stops. If not, it may become necessary to turn the power off and back on, or remove and reinstall the batteries.

* In the unlikely event of an electrostatic discharge, the unit may malfunction and lose memory, requiring the user to reset the device by removing and reinstalling the batteries.

Push Red Power Button to turn on/off

Push Red Power Button to cycle through 4 different light settings.

SOUND/ON/FLASH/FLASH FASTER

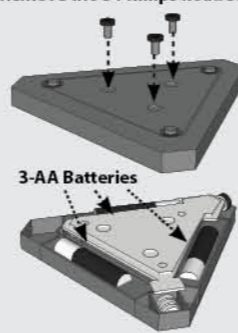


**WARNING: STROBE LIGHTS
MAY CAUSE SEIZURES**

Replacing Batteries

1. Remove the three (3) screws.
2. Place three (3) AA batteries in the correct position - as displayed inside the Triangle Power Base.
3. Reassemble the Triangle Power Base.
4. Replace the three (3) screws.
5. Push RED Power Button to turn on!
6. Do not mix old and new batteries.
7. Do not mix alkaline, standard (carbon-zinc), or rechargeable (nickel-cadmium, NiMH) batteries!
8. Exhausted batteries are to be removed from the Triangle Power Base.
9. Never connect more than 200 Laser Pegs®
10. Non-rechargeable batteries are not to be recharged.
11. Rechargeable batteries are only to be recharged under adult supervision.
12. Rechargeable batteries are to be removed from the toy before being recharged.
13. Batteries are to be inserted with the correct polarity.
14. The supply terminals are not to be short-circuited.
15. DO NOT THROW BATTERIES INTO FIRE!

Remove the 3 Phillips head screws



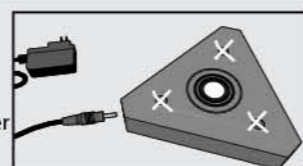
3-AA Batteries

Remove the three Phillips head screws with a 4mm screw driver.
Requires (3AA) Batteries

Please dispose of batteries properly as per state and local regulations.

Using an AC Adapter

Remove all batteries from Laser Pegs® power base before using the 5-volt AC adapter.



When using an AC Adapter, NEVER place the adapter plug into the Triangle Power Base top peg holes.

*To avoid short-circuits, keep metal objects and other unauthorized materials from obstructing the peg holes.

Never connect more than 200 Laser Pegs® when using a 5-volt (2000mA) AC Adapter.

The AC adapter and the Triangle Power Base are to be regularly examined for damage to the cord, plug, enclosure and other parts, and in the event of such damage, they must not be used until the damage has been repaired.

WARNING! Each Laser Peg® draws current from the batteries. Therefore, the more pegs you use, the quicker you will deplete your battery power! As the power weakens, the current will slowly fail and some Laser Pegs® will illuminate (typically the reds and yellows) and some won't. When the Laser Pegs® dim the Laser Pegs® are not broken, they just need stronger batteries or an AC Adapter.

You have 3 simple options...

1. Use a 5-volt AC Adapter -available from www.LaserPegs.com
2. Change the batteries.
3. Use high quality batteries. They will last a little longer, but they will still deplete rapidly the more laser pegs you connect!

DO NOT SUBMERGE IN WATER

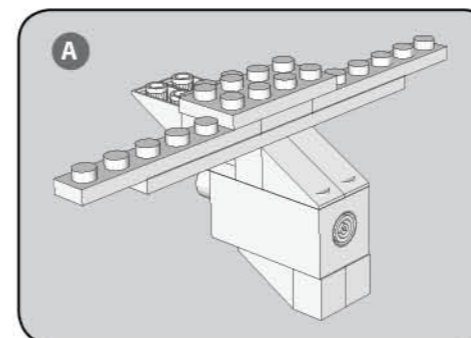
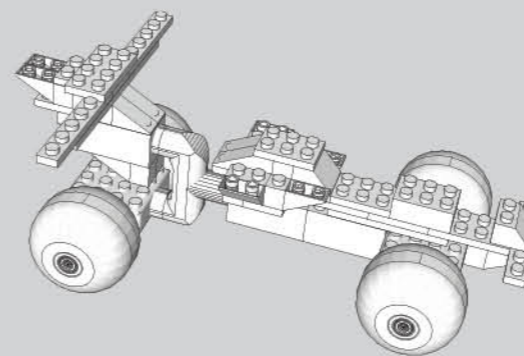
S5 RUNNER — A long-bodied racing automobile built for brutal and lengthy races.



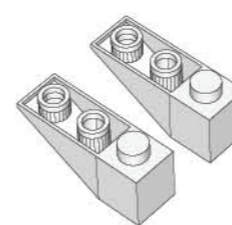
S5 RUNNER

Model
Difficulty
Level

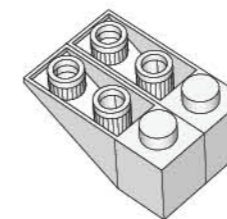
1



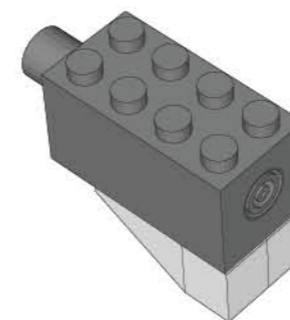
STEP
1



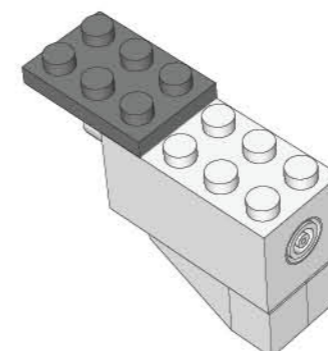
STEP
2



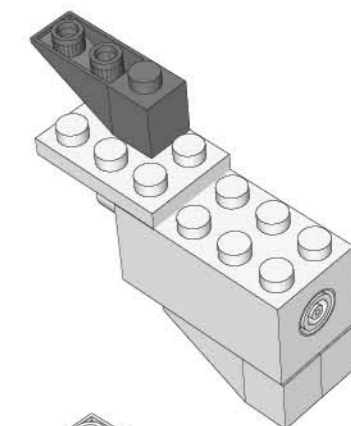
STEP
3



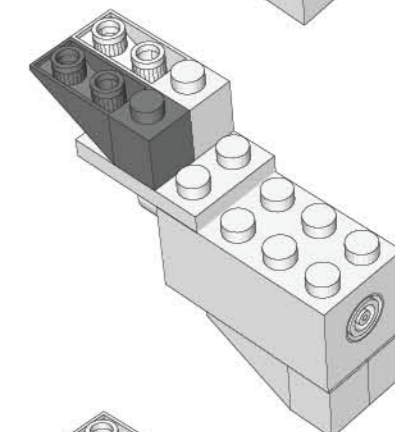
STEP
4



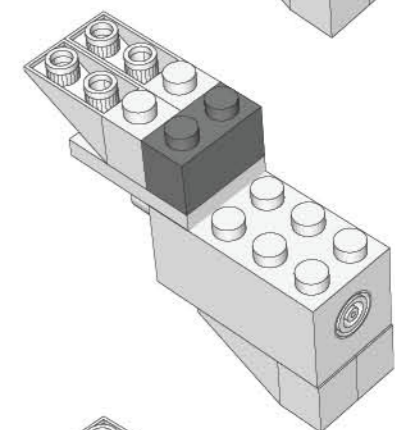
STEP
5



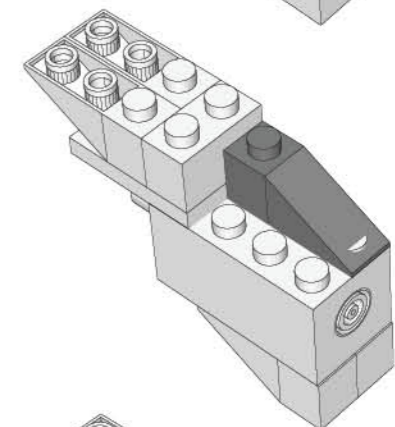
STEP
6



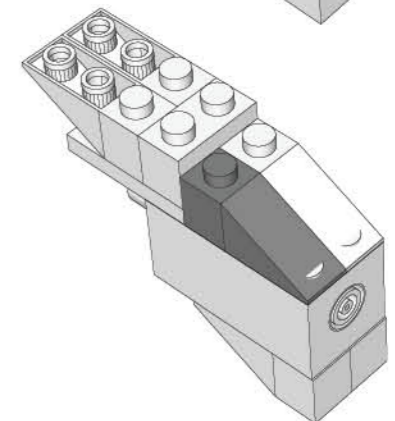
STEP
7



STEP
8

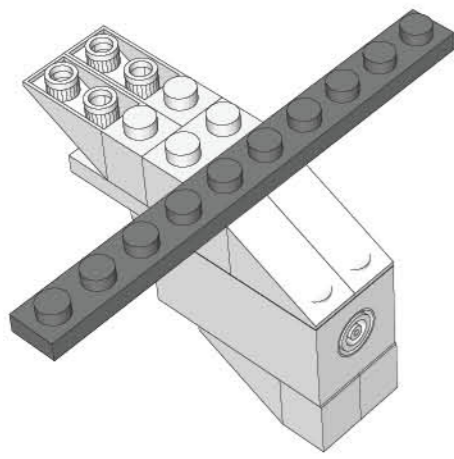


STEP
9

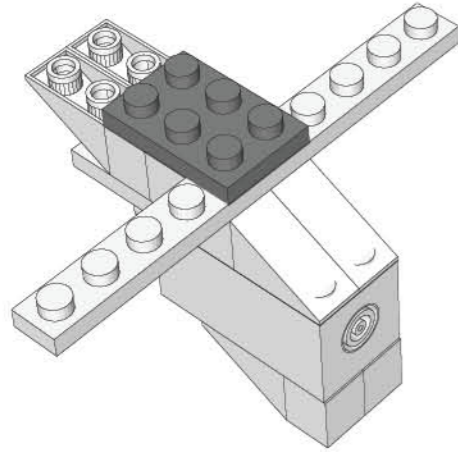


The toy is not to be connected to more than the recommended number of power supplies

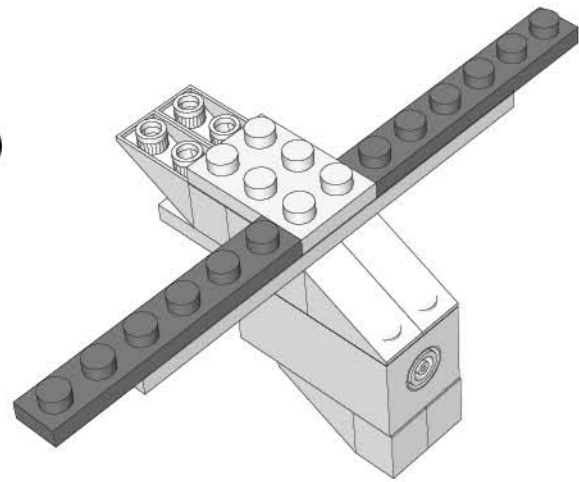
STEP 10



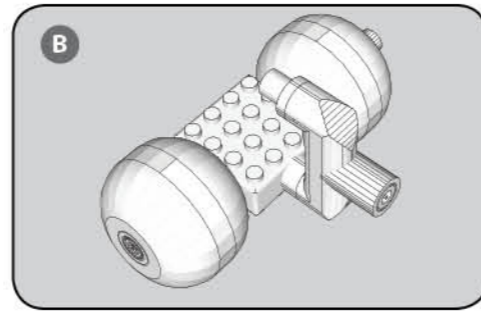
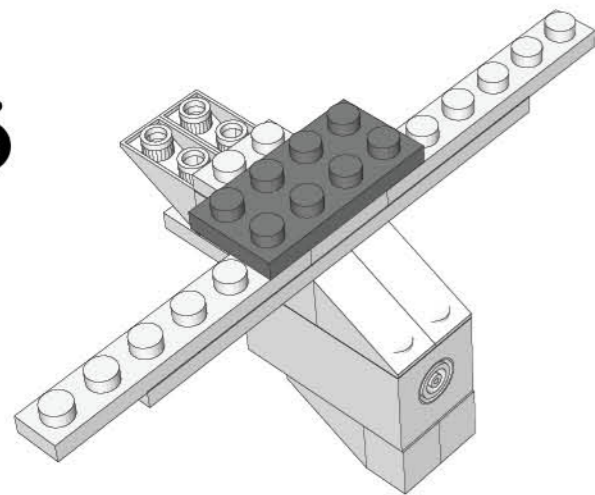
STEP 11



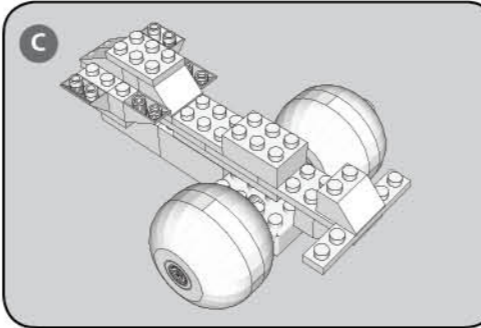
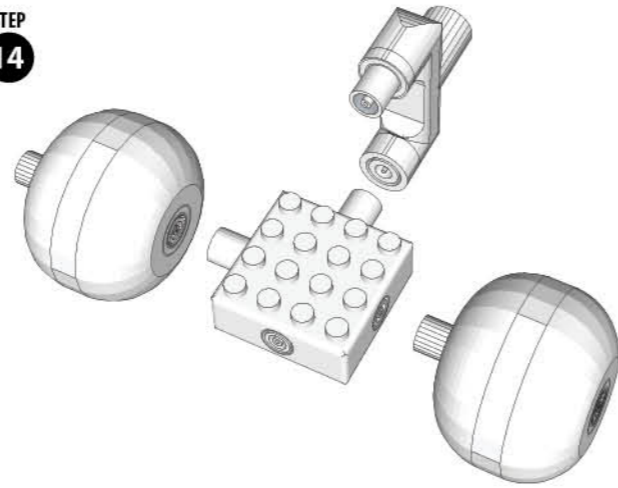
STEP 12



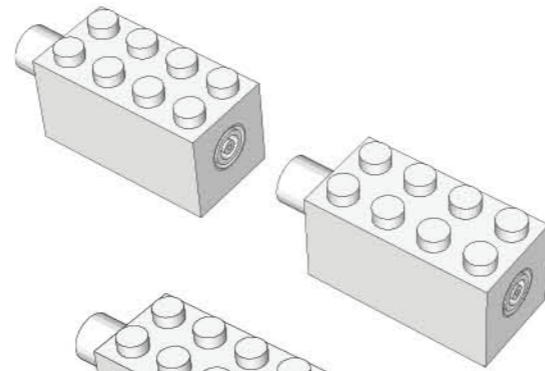
STEP 13



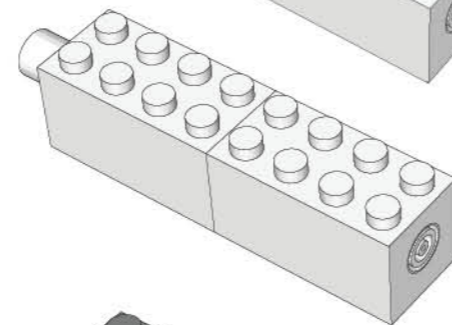
STEP 14



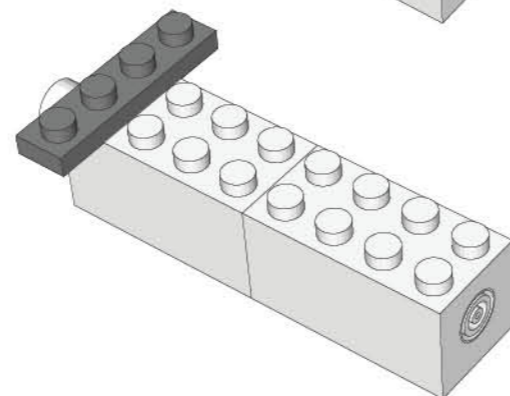
STEP 15



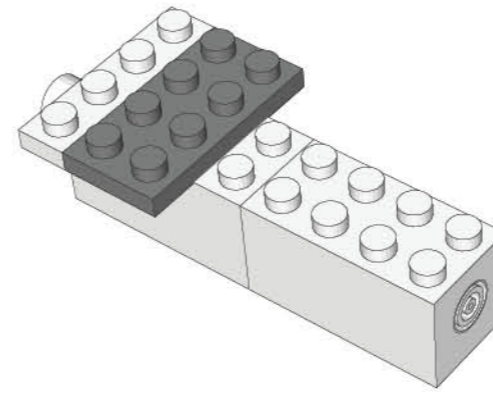
STEP 16



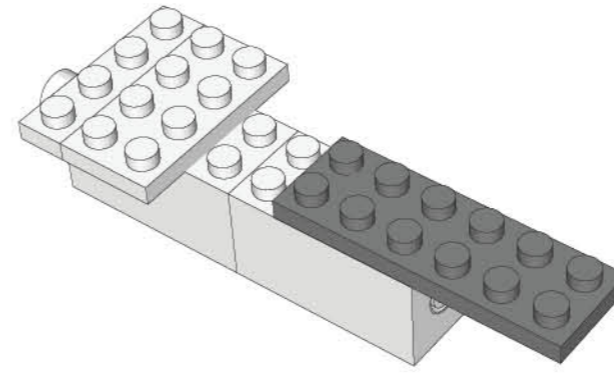
STEP 17



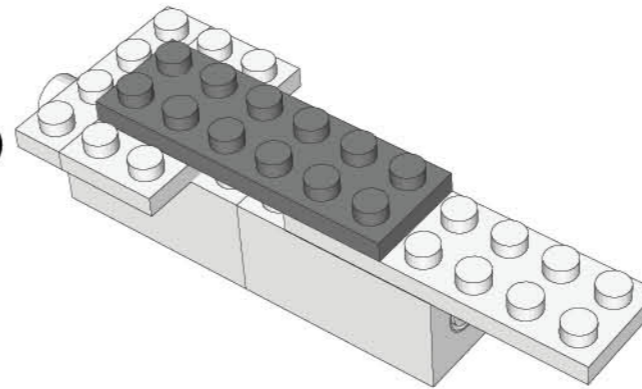
STEP 18



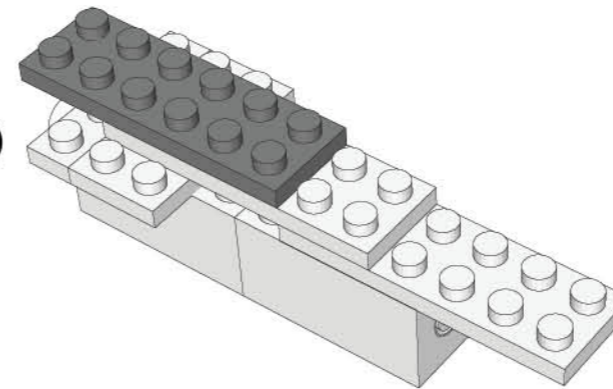
STEP 19



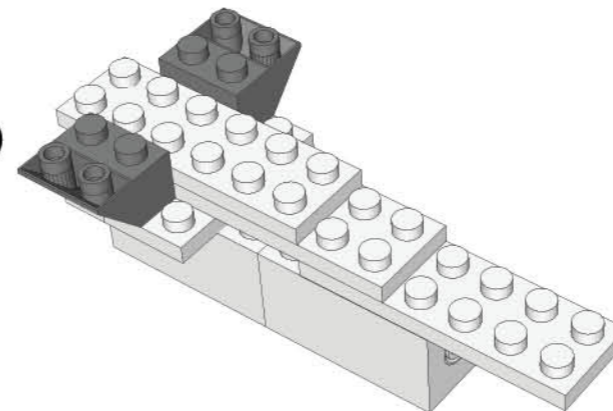
STEP 20



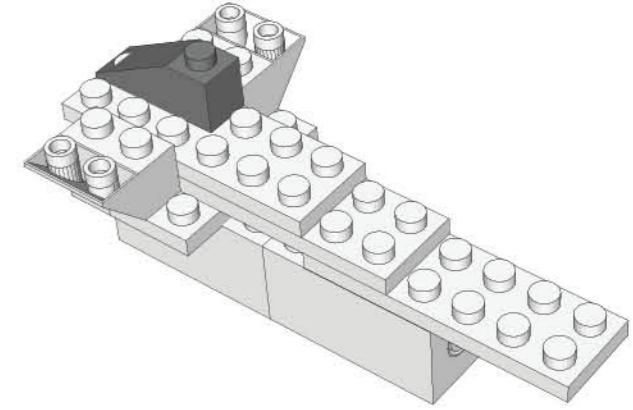
STEP 21



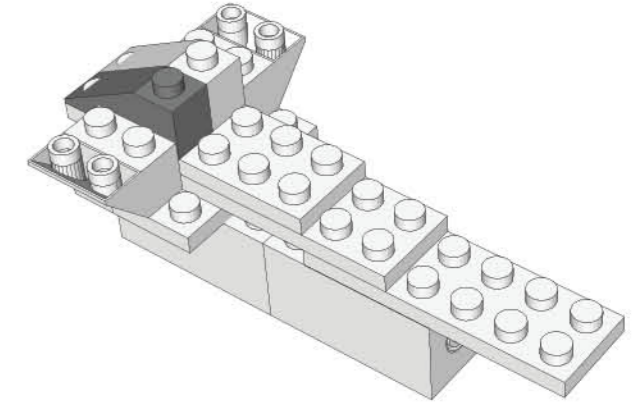
STEP 22



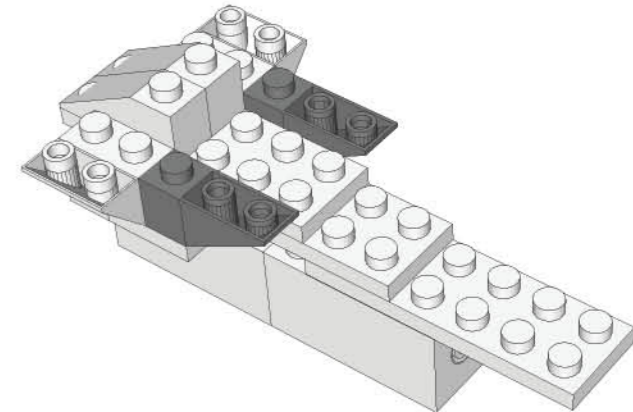
STEP 23



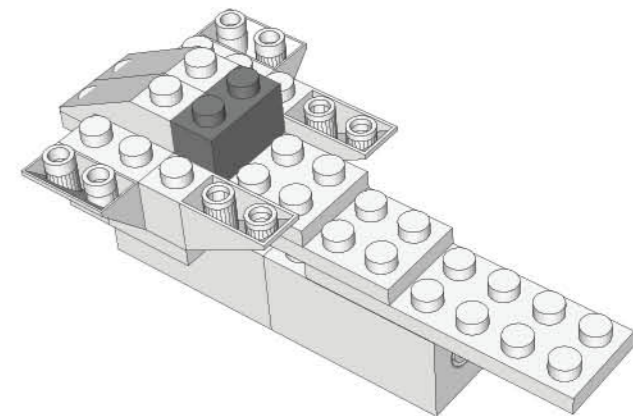
STEP 24



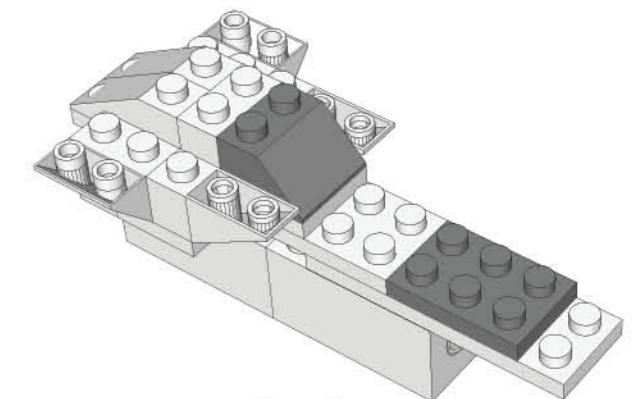
STEP 25



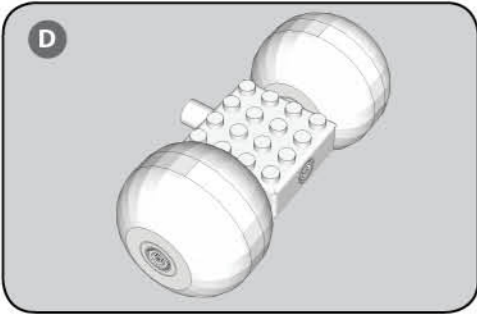
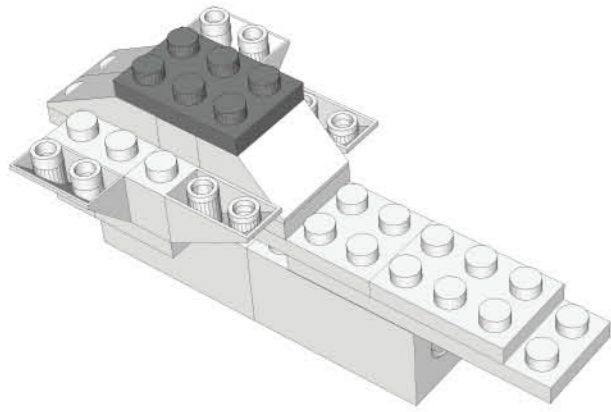
STEP 26



STEP 27



STEP 28



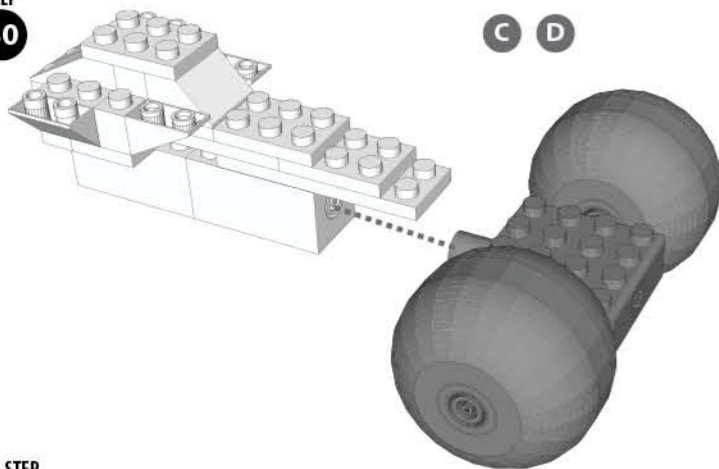
STEP 29



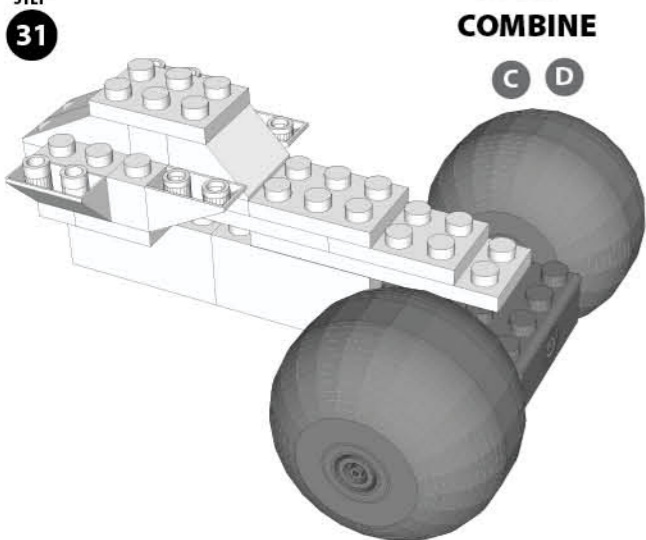
COMBINE

C D

STEP 30

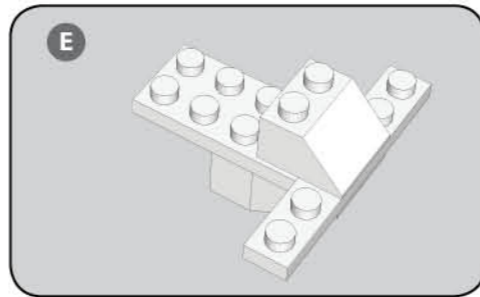


STEP 31

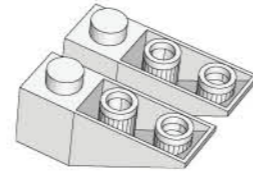


COMBINE

C D



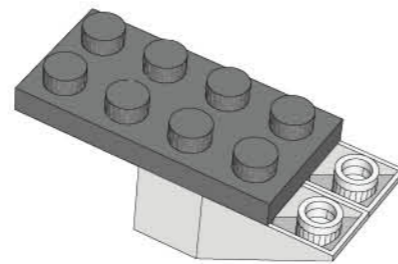
STEP 32



STEP 33



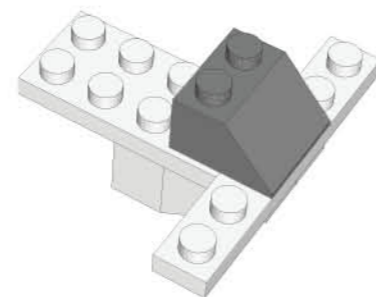
STEP 34



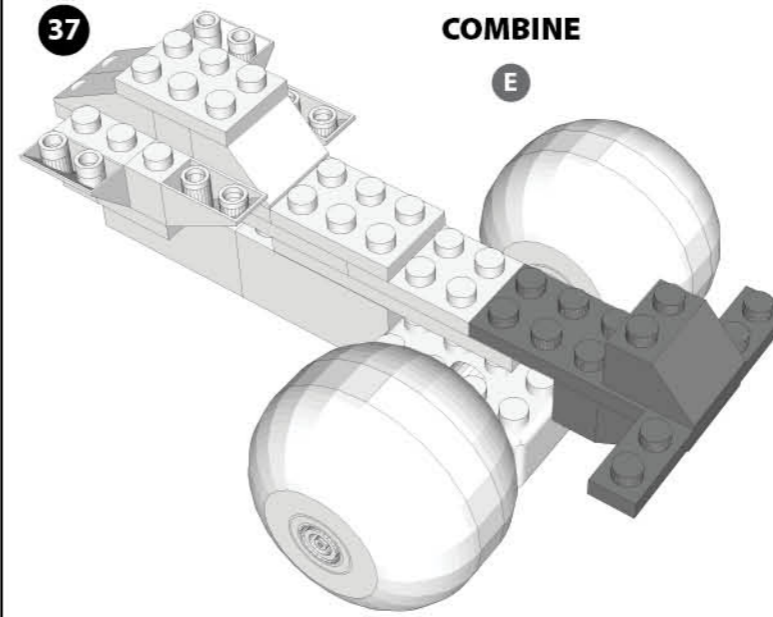
STEP 35



STEP 36



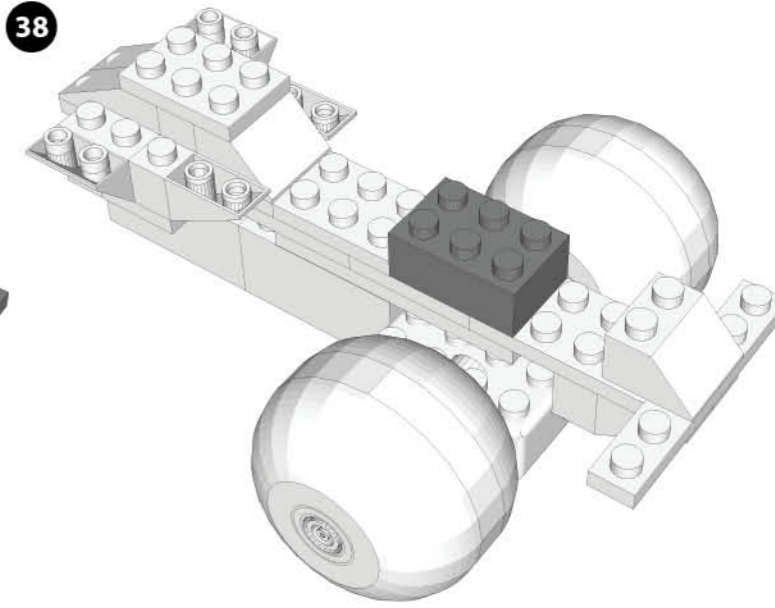
STEP 37



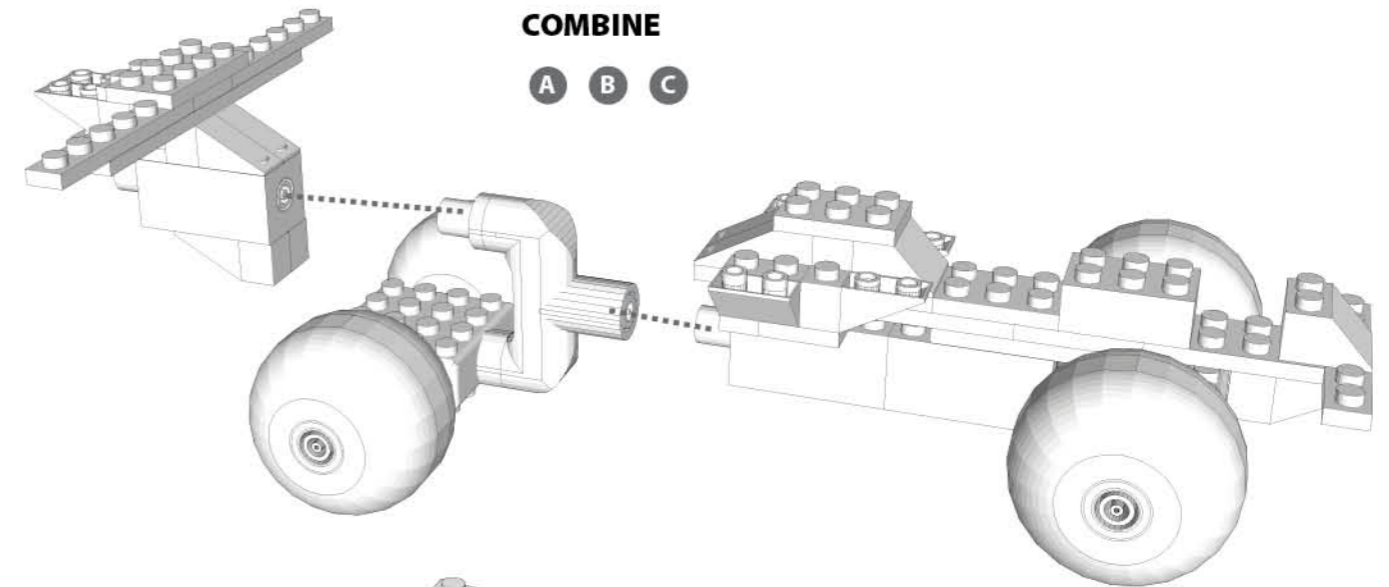
COMBINE

E

STEP 38



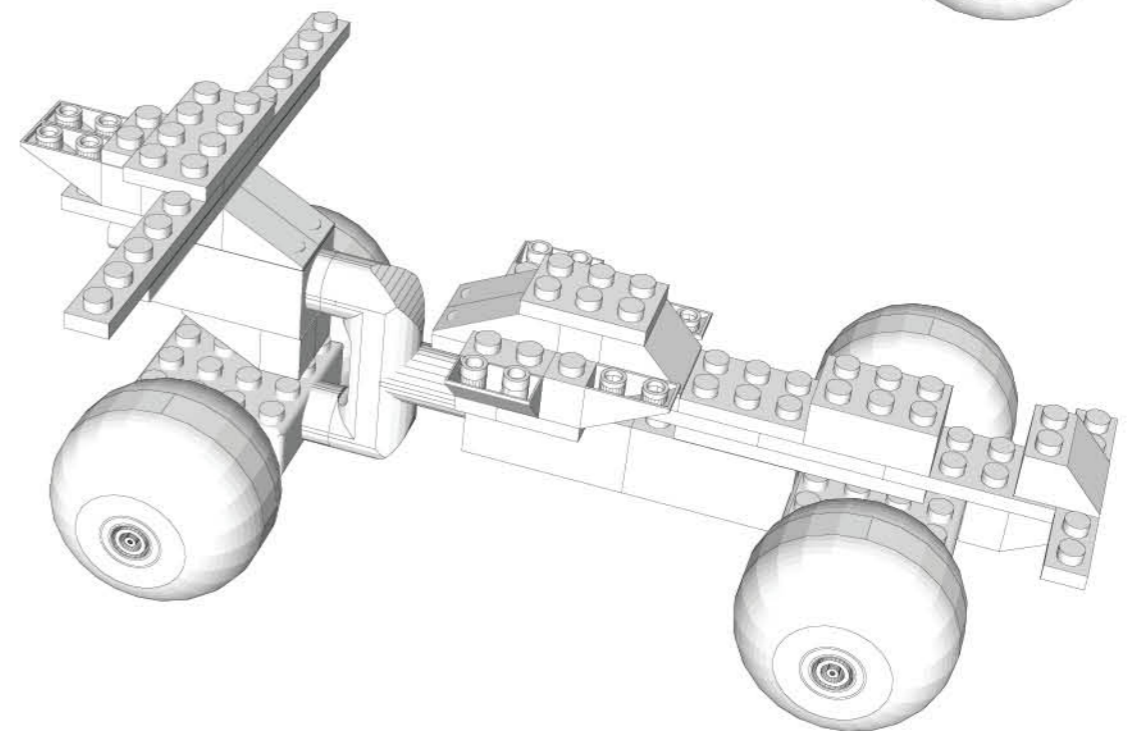
STEP 39



COMBINE

A B C

STEP 40



LASER PEGS®

The Ultimate Construction Toy For Kids®

**G1270B
HELICOPTER**

AGES 5+

8 Models+

ANY CREATION YOU CAN BUILD

LIGHTED

CONSTRUCTION SET INCLUDES:

- 10 Laser Pegs®
- 78 Construction Parts
- Laser Pegs® Peg Cord
- Triangle Power Base
- Instruction Manual

Requires 3-AA Batteries

Batteries NOT
Included

EN71, RoHS COMPLIANT

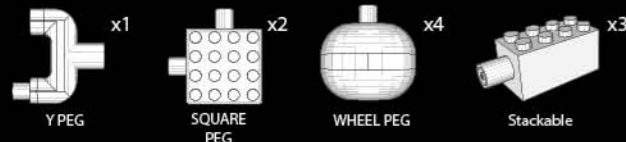
**WARNING:
CHOKING HAZARD**-Small parts.
Not for children under 3 yrs.
Do not submerge in water.

This product complies to
all safety requirements
of ASTM F 963

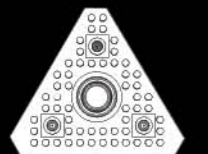
MODEL INSTRUCTIONS

All additional model instructions can
be downloaded at www.LaserPegs.com

Laser Peg® Parts List



Color Code Each Laser Peg® is color coded on the circuit board inside each shape.

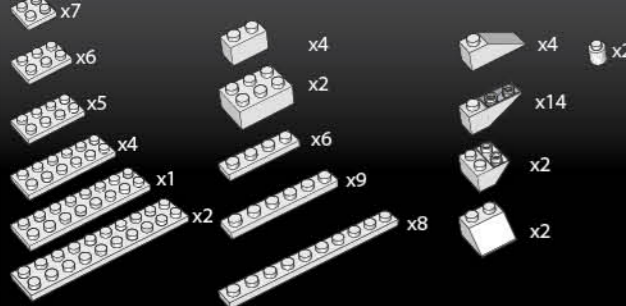


Sound Activated
Triangle Power Base



Laser Pegs®
Peg Cord

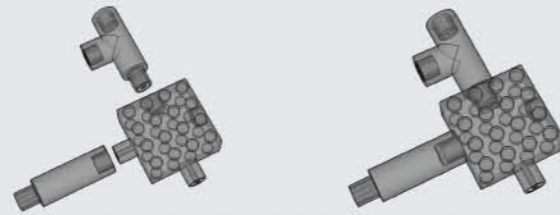
Construction Parts List



www.LaserPegs.com

This manual is copyright and cannot be reproduced or used online without Laser Pegs® Ventures LLC permission. Copyright 2014 © All Rights Reserved US Patent #7,731,558 Additional Global & Multiple Patents Pending. Laser Pegs® Ventures LLC, 8304 Consumer Ct., Sarasota FL 34240. Contact: Support@LaserPegs.com

Connecting Pegs



To construct with Laser Pegs®, slide two pieces together to form a connection. Slide each piece on and off smoothly. The 90° Pegs are essential to construction but they DO NOT LIGHT UP.

Environmental Phenomena

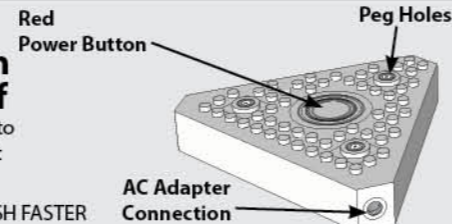
* The unit may malfunction if subjected to radio-frequency interference. It SHOULD revert to normal operation when the interference stops. If not, it may become necessary to turn the power off and back on, or remove and reinstall the batteries.

* In the unlikely event of an electrostatic discharge, the unit may malfunction and lose memory, requiring the user to reset the device by removing and reinstalling the batteries.

Push Red Power Button to turn on/off

Push Red Power Button to cycle through 4 different light settings.

SOUND/ON/FLASH/FLASH FASTER

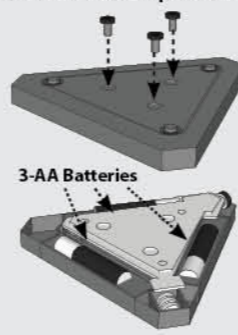


**WARNING: STROBE LIGHTS
MAY CAUSE SEIZURES**

Replacing Batteries

1. Remove the three (3) screws.
2. Place three (3) AA batteries in the correct position - as displayed inside the Triangle Power Base.
3. Reassemble the Triangle Power Base.
4. Replace the three (3) screws.
5. Push RED Power Button to turn on!
6. Do not mix old and new batteries.
7. Do not mix alkaline, standard (carbon-zinc), or rechargeable (nickel-cadmium, NiMH) batteries!
8. Exhausted batteries are to be removed from the Triangle Power Base.
9. Never connect more than 200 Laser Pegs®
10. Non-rechargeable batteries are not to be recharged.
11. Rechargeable batteries are only to be recharged under adult supervision.
12. Rechargeable batteries are to be removed from the toy before being recharged.
13. Batteries are to be inserted with the correct polarity.
14. The supply terminals are not to be short-circuited.
15. DO NOT THROW BATTERIES INTO FIRE!

Remove the 3 Phillips head screws



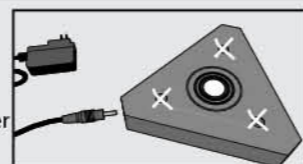
3-AA Batteries

Remove the three Phillips head screws with a 4mm screw driver.
Requires (3AA) Batteries

Please dispose of batteries properly as per state and local regulations.

Using an AC Adapter

Remove all batteries from Laser Pegs® power base before using the 5-volt AC adapter.



When using an AC Adapter, NEVER place the adapter plug into the Triangle Power Base top peg holes.

*To avoid short-circuits, keep metal objects and other unauthorized materials from obstructing the peg holes.

Never connect more than 200 Laser Pegs® when using a 5-volt (2000mA) AC Adapter.

The AC adapter and the Triangle Power Base are to be regularly examined for damage to the cord, plug, enclosure and other parts, and in the event of such damage, they must not be used until the damage has been repaired.

WARNING! Each Laser Peg® draws current from the batteries. Therefore, the more pegs you use, the quicker you will deplete your battery power! As the power weakens, the current will slowly fail and some Laser Pegs® will illuminate (typically the reds and yellows) and some won't. When the Laser Pegs® dim the Laser Pegs® are not broken, they just need stronger batteries or an AC Adapter.

You have 3 simple options...

1. Use a 5-volt AC Adapter -available from www.LaserPegs.com
2. Change the batteries.
3. Use high quality batteries. They will last a little longer, but they will still deplete rapidly the more laser pegs you connect!

DO NOT SUBMERGE IN WATER

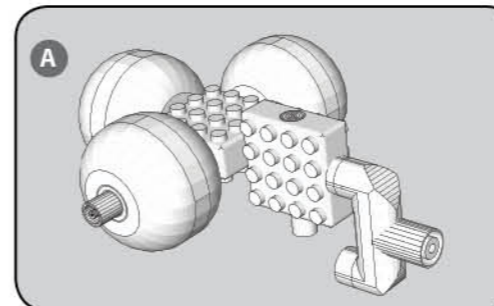
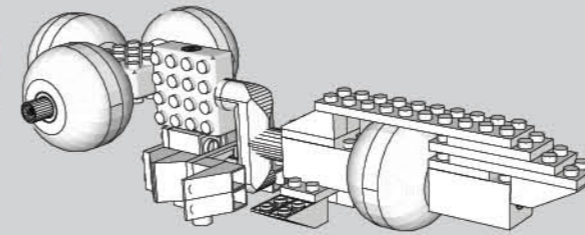
MEDIC SPACE CRUISER — A galactic transport, specially-equipped and staffed for medical purposes.



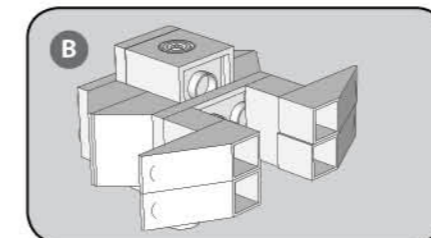
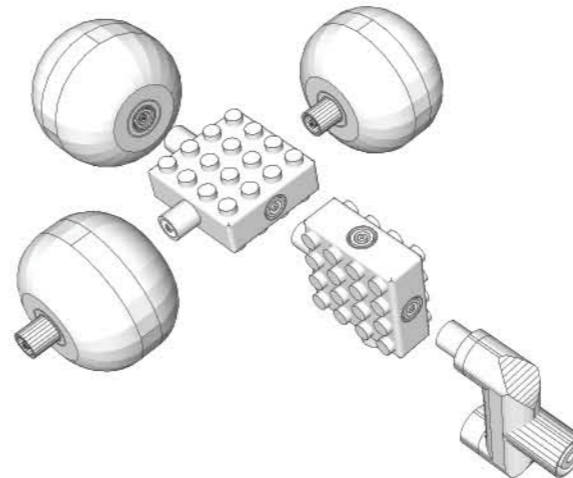
MEDIC SPACE CRUISER

Model
Difficulty
Level

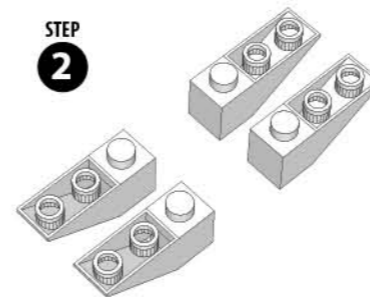
1



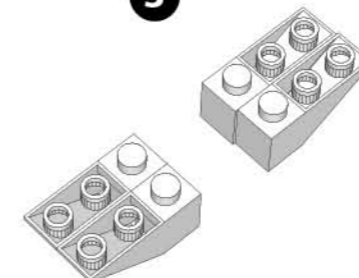
STEP 1



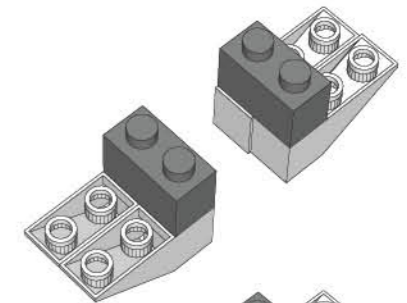
STEP 2



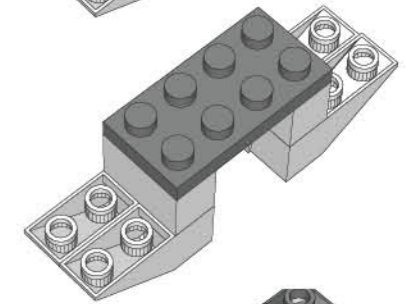
STEP 3



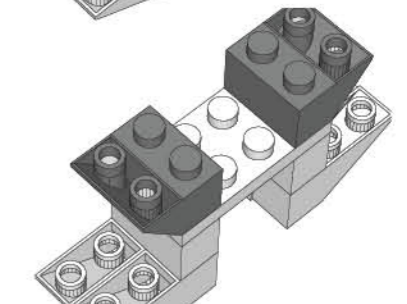
STEP 4



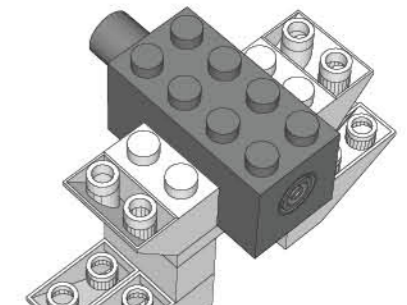
STEP 5



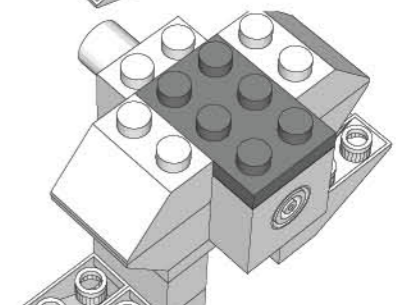
STEP 6



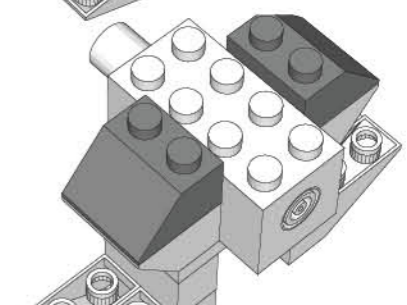
STEP 7



STEP 8

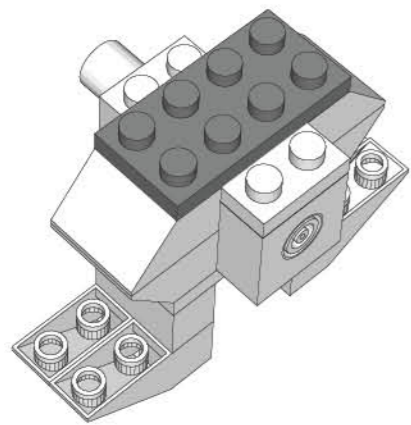


STEP 9

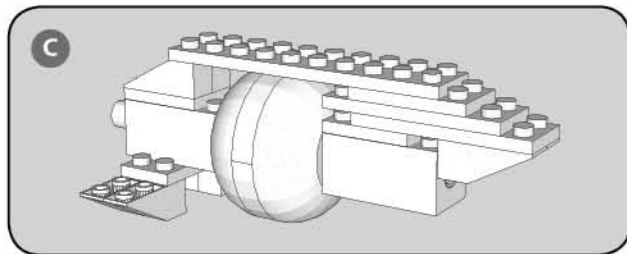


The toy is not to be connected to more than the recommended number of power supplies

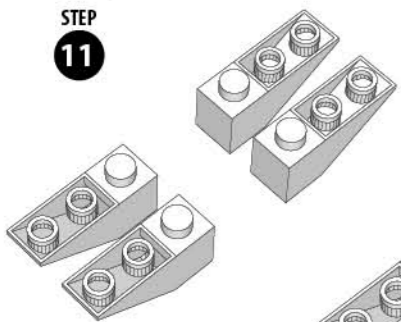
STEP 10



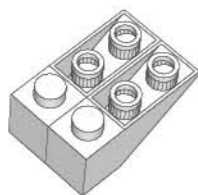
C



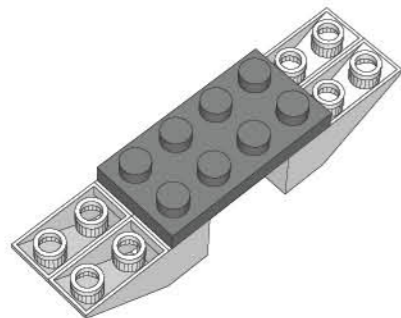
STEP 11



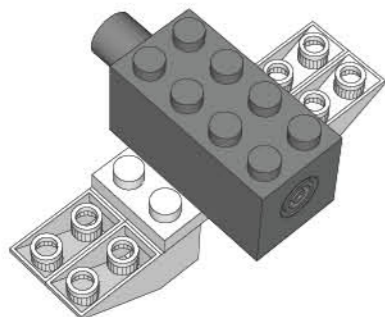
STEP 12



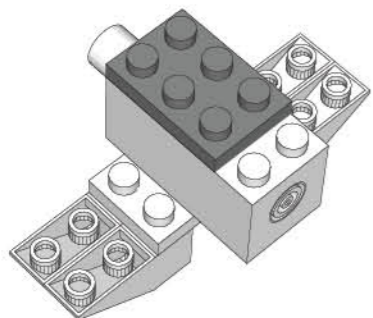
STEP 13



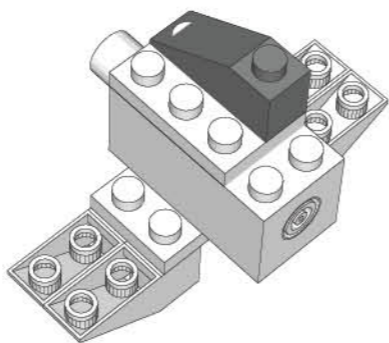
STEP 14



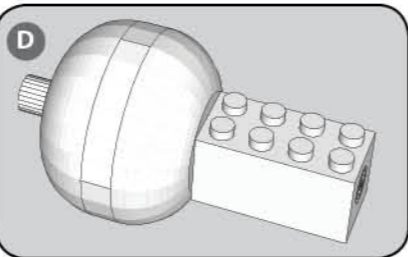
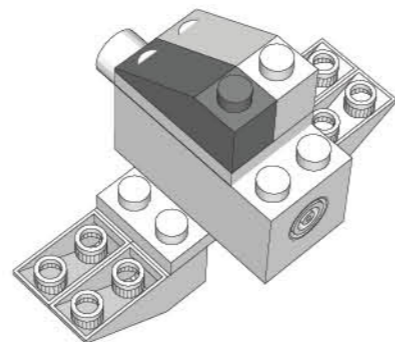
STEP 15



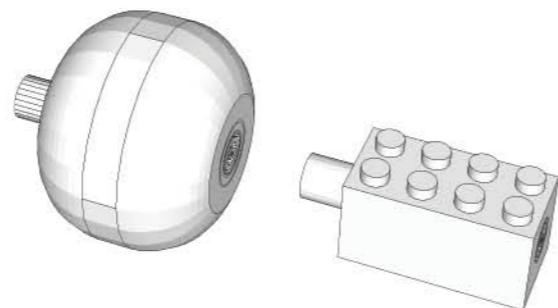
STEP 16



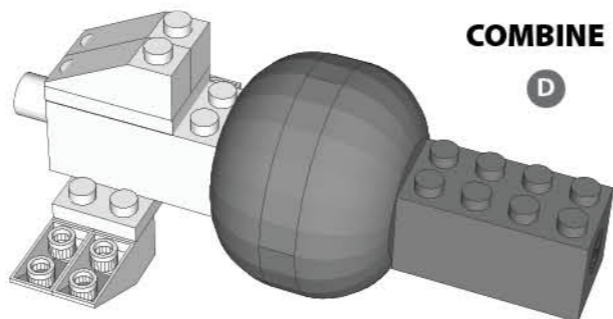
STEP 17



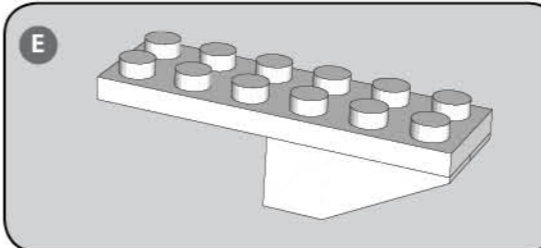
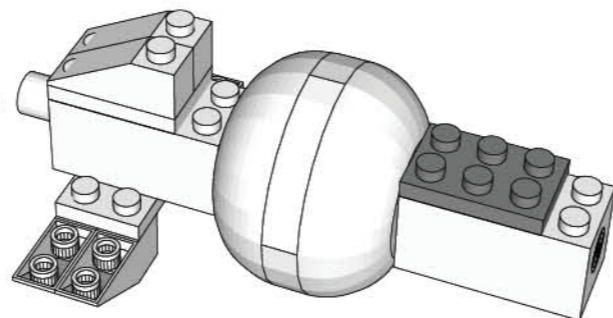
STEP 18



STEP 19



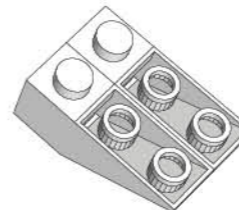
STEP 20



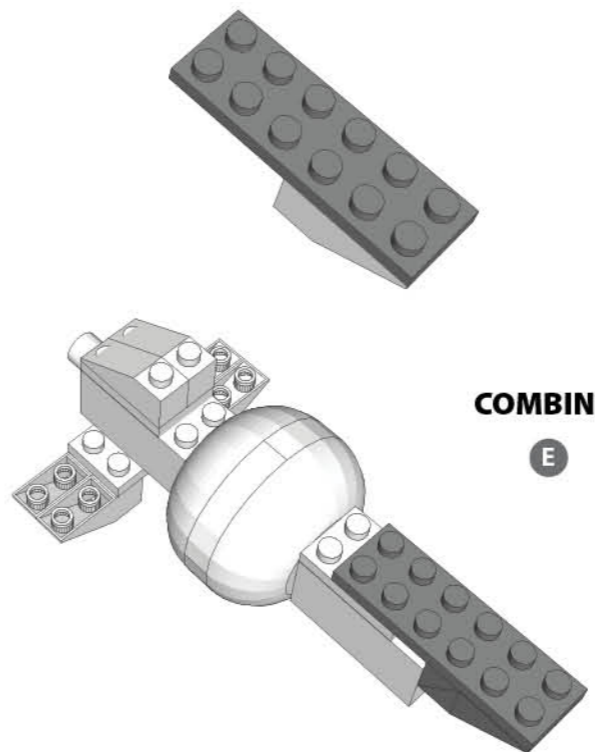
STEP 21



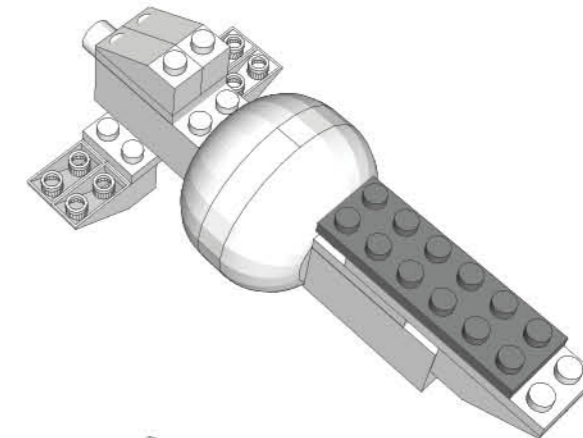
STEP 22



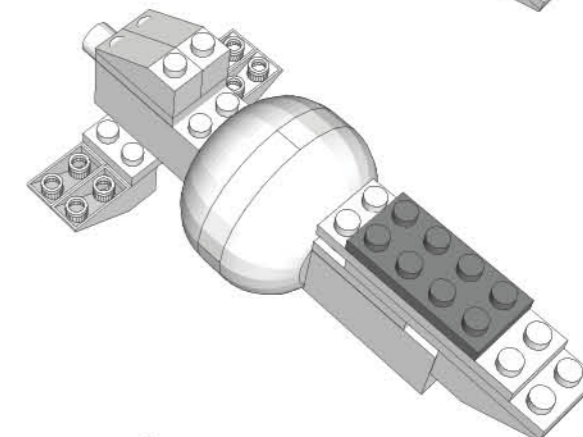
STEP 23



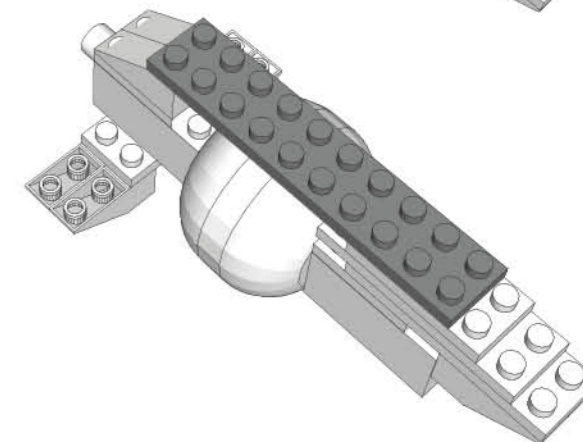
STEP 24



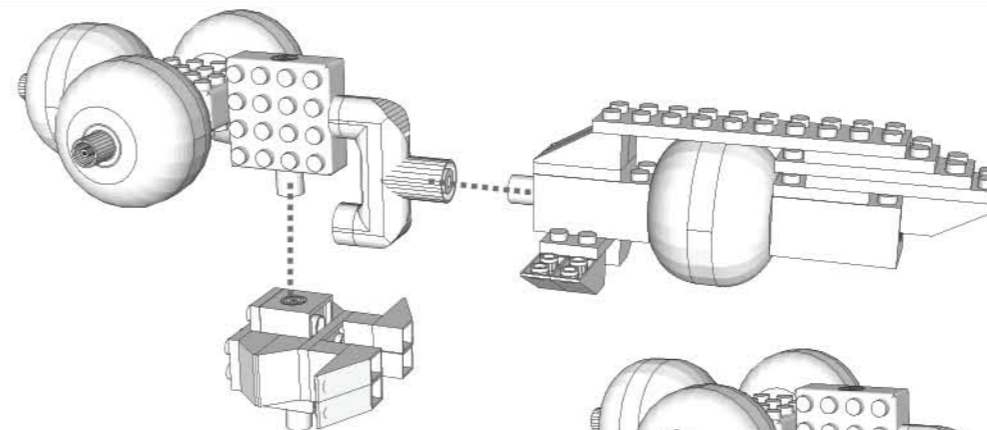
STEP 25



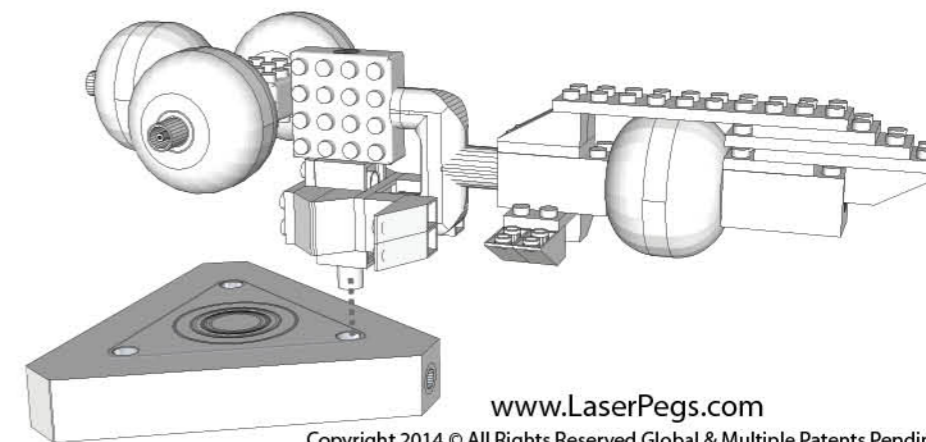
STEP 26



STEP 27



STEP 28



LASER PEGS®

The Ultimate Construction Toy For Kids®

**G1270B
HELICOPTER**

AGES 5+

8 Models+

ANY CREATION YOU CAN BUILD

LIGHTED

CONSTRUCTION SET INCLUDES:

- 10 Laser Pegs®
- 78 Construction Parts
- Laser Pegs® Peg Cord
- Triangle Power Base
- Instruction Manual

Requires 3-AA Batteries

Batteries NOT Included

EN71, RoHS COMPLIANT

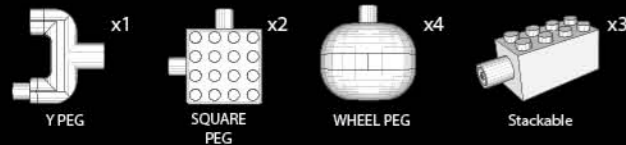
**WARNING:
CHOKING HAZARD**-Small parts.
Not for children under 3 yrs.
Do not submerge in water.

This product complies to all safety requirements of ASTM F 963

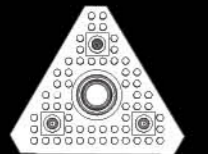
MODEL INSTRUCTIONS

All additional model instructions can be downloaded at www.LaserPegs.com

Laser Peg® Parts List



Color Code Each Laser Peg® is color coded on the circuit board inside each shape.

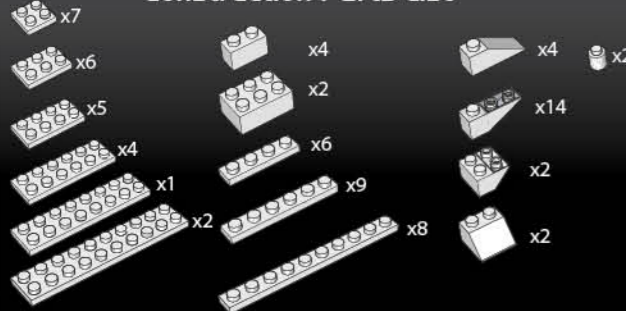


Sound Activated Triangle Power Base



Laser Pegs® Peg Cord

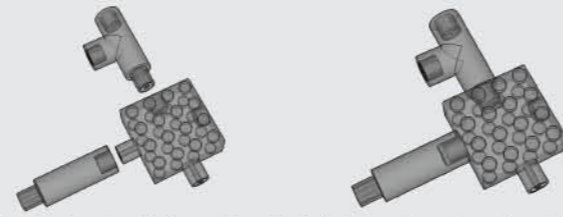
Construction Parts List



www.LaserPegs.com

This manual is copyright and cannot be reproduced or used online without Laser Pegs® Ventures LLC permission. Copyright 2014 © All Rights Reserved US Patent #7,731,558 Additional Global & Multiple Patents Pending. Laser Pegs® Ventures LLC, 8304 Consumer Ct., Sarasota FL 34240. Contact: Support@LaserPegs.com

Connecting Pegs



To construct with Laser Pegs®, slide two pieces together to form a connection. Slide each piece on and off smoothly. The 90° Pegs are essential to construction but they DO NOT LIGHT UP.

Environmental Phenomena

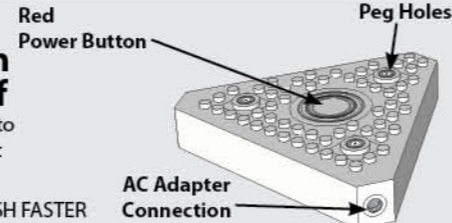
* The unit may malfunction if subjected to radio-frequency interference. It SHOULD revert to normal operation when the interference stops. If not, it may become necessary to turn the power off and back on, or remove and reinstall the batteries.

* In the unlikely event of an electrostatic discharge, the unit may malfunction and lose memory, requiring the user to reset the device by removing and reinstalling the batteries.

Push Red Power Button to turn on/off

Push Red Power Button to cycle through 4 different light settings.

SOUND/ON/FLASH/FLASH FASTER

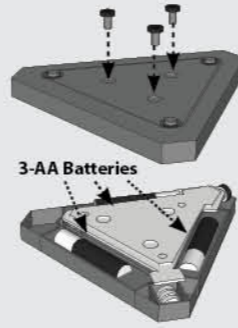


**WARNING: STROBE LIGHTS
MAY CAUSE SEIZURES**

Replacing Batteries

1. Remove the three (3) screws.
2. Place three (3) AA batteries in the correct position - as displayed inside the Triangle Power Base.
3. Reassemble the Triangle Power Base.
4. Replace the three (3) screws.
5. Push RED Power Button to turn on!
6. Do not mix old and new batteries.
7. Do not mix alkaline, standard (carbon-zinc), or rechargeable (nickel-cadmium, NiMH) batteries!
8. Exhausted batteries are to be removed from the Triangle Power Base.
9. Never connect more than 200 Laser Pegs®
10. Non-rechargeable batteries are not to be recharged.
11. Rechargeable batteries are only to be recharged under adult supervision.
12. Rechargeable batteries are to be removed from the toy before being recharged.
13. Batteries are to be inserted with the correct polarity.
14. The supply terminals are not to be short-circuited.
15. DO NOT THROW BATTERIES INTO FIRE!

Remove the 3 Phillips head screws



3-AA Batteries

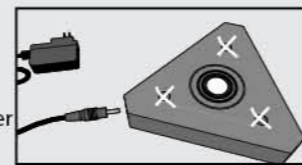


Remove the three Phillips head screws with a 4mm screw driver.
Requires (3AA) Batteries

Please dispose of batteries properly as per state and local regulations.

Using an AC Adapter

Remove all batteries from Laser Pegs® power base before using the 5-volt AC adapter.



When using an AC Adapter, NEVER place the adapter plug into the Triangle Power Base top peg holes.

*To avoid short-circuits, keep metal objects and other unauthorized materials from obstructing the peg holes.

Never connect more than 200 Laser Pegs® when using a 5-volt (2000mA) AC Adapter.

The AC adapter and the Triangle Power Base are to be regularly examined for damage to the cord, plug, enclosure and other parts, and in the event of such damage, they must not be used until the damage has been repaired.

WARNING! Each Laser Peg® draws current from the batteries. Therefore, the more pegs you use, the quicker you will deplete your battery power! As the power weakens, the current will slowly fail and some Laser Pegs® will illuminate (typically the reds and yellows) and some won't. When the Laser Pegs® dim the Laser Pegs® are not broken, they just need stronger batteries or an AC Adapter.

You have 3 simple options...

1. Use a 5-volt AC Adapter -available from www.LaserPegs.com
2. Change the batteries.
3. Use high quality batteries. They will last a little longer, but they will still deplete rapidly the more laser pegs you connect!

DO NOT SUBMERGE IN WATER

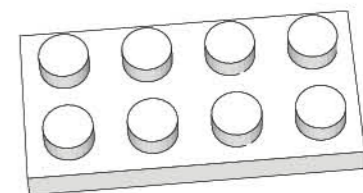
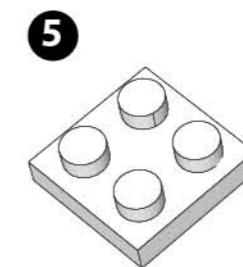
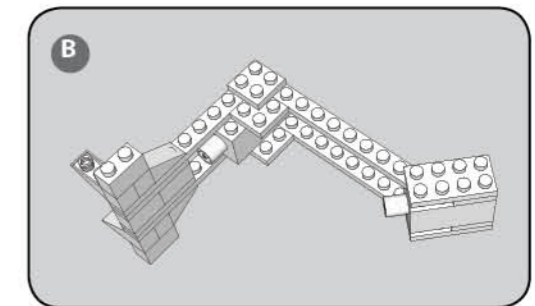
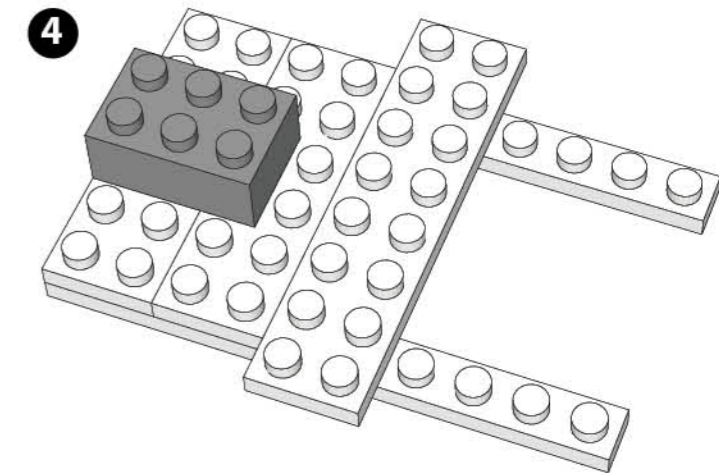
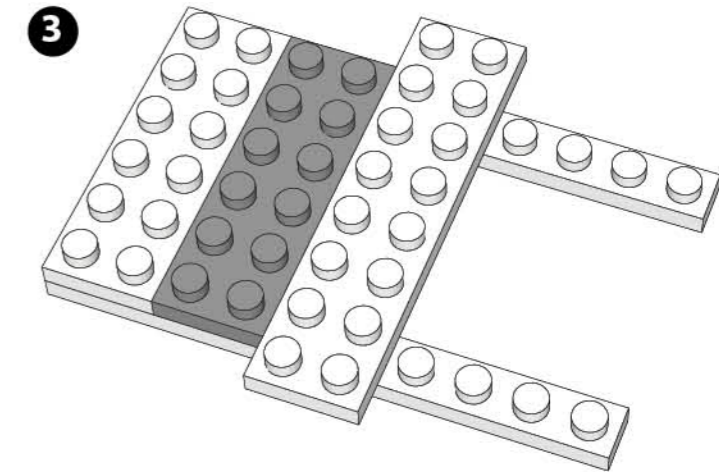
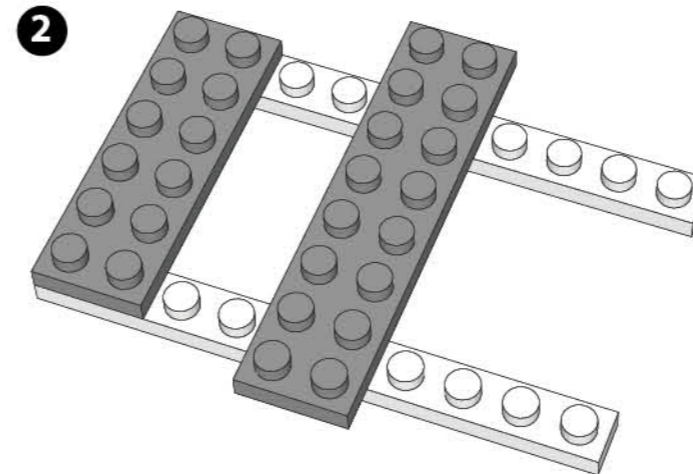
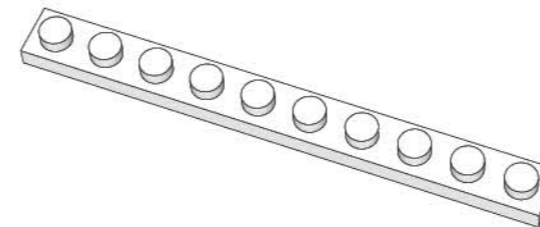
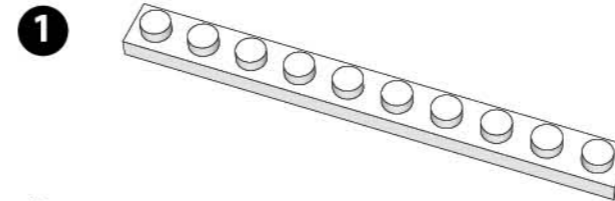
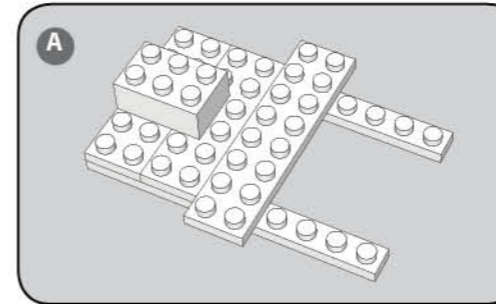
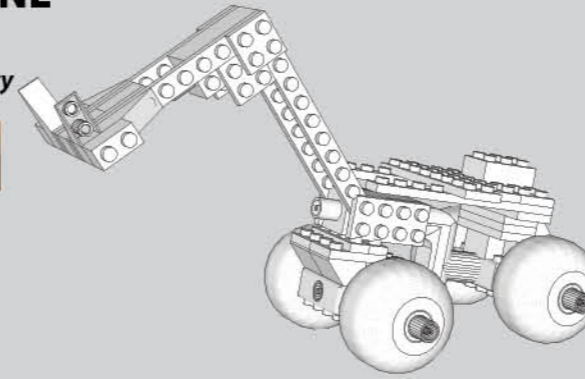
CRANE-The first construction cranes were invented by the Ancient Greeks and were powered by men or beasts of burden, such as donkeys.



CRANE

Model Difficulty Level

3



COMBINE PARTS

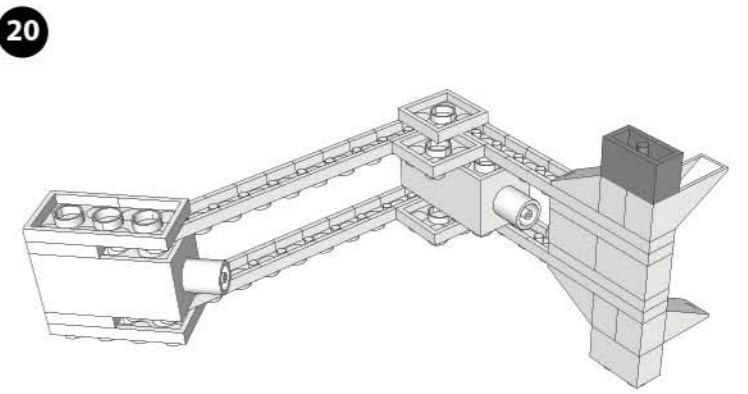
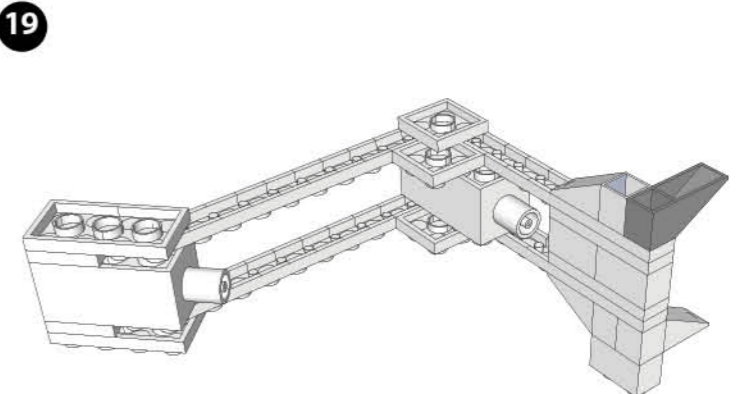
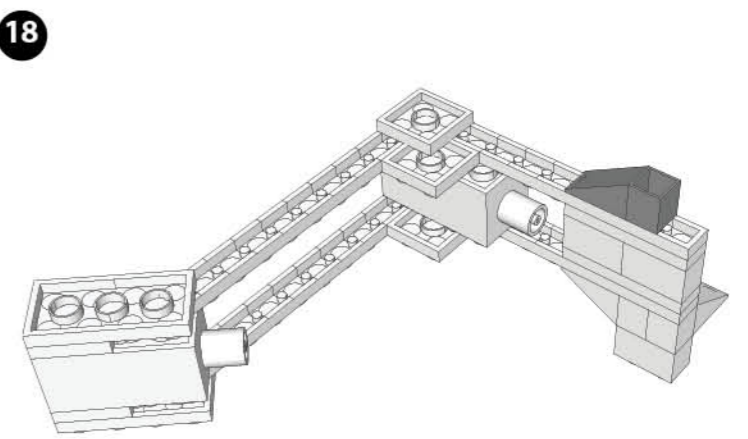
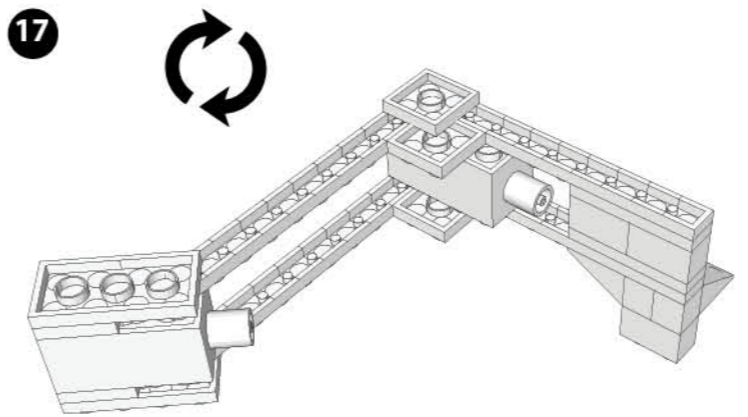
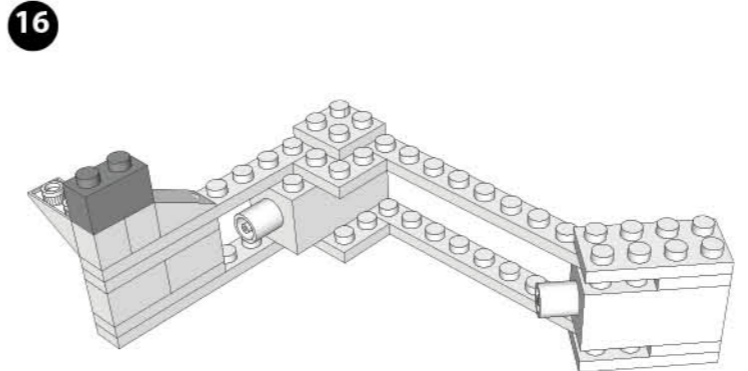
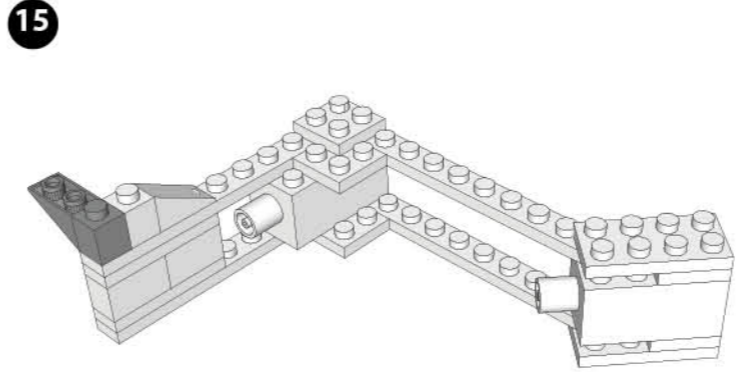
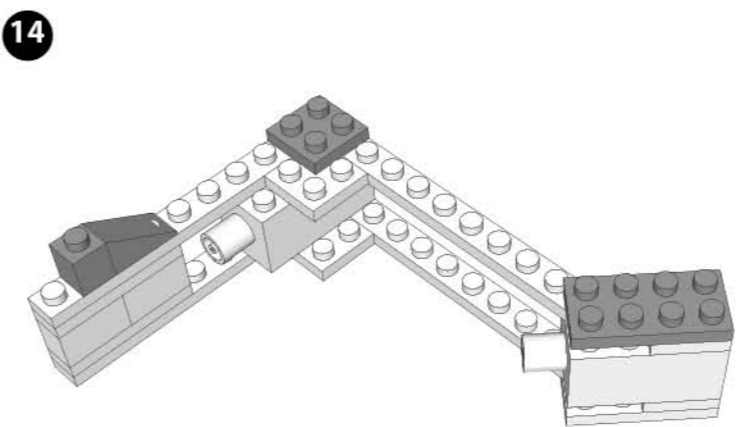
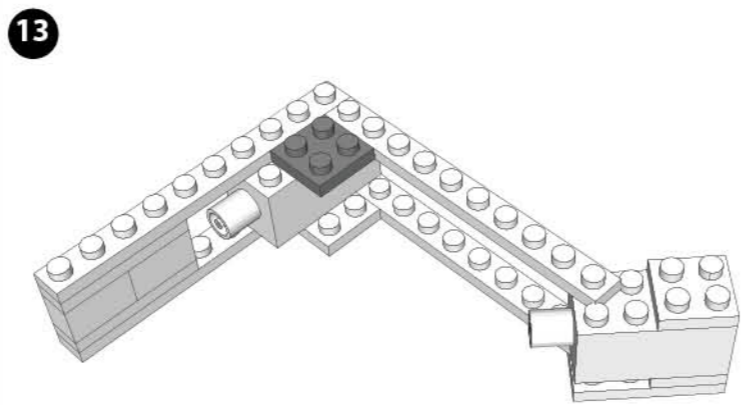
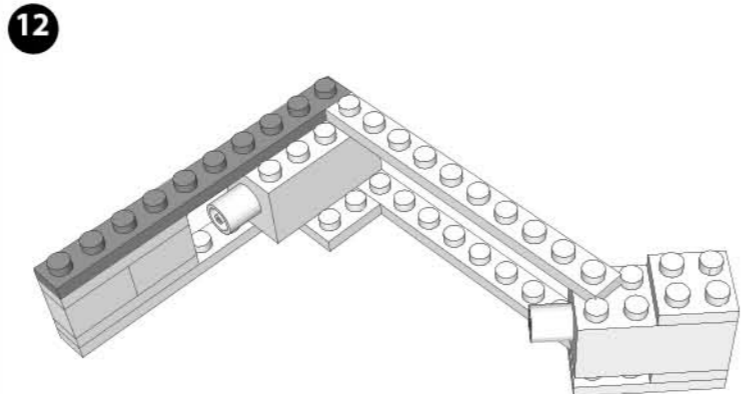
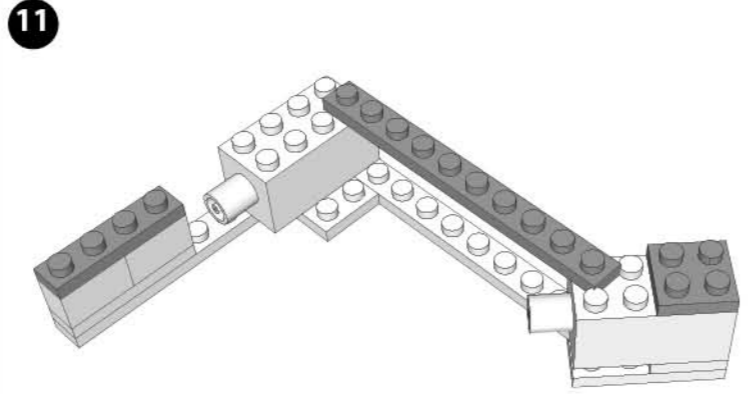
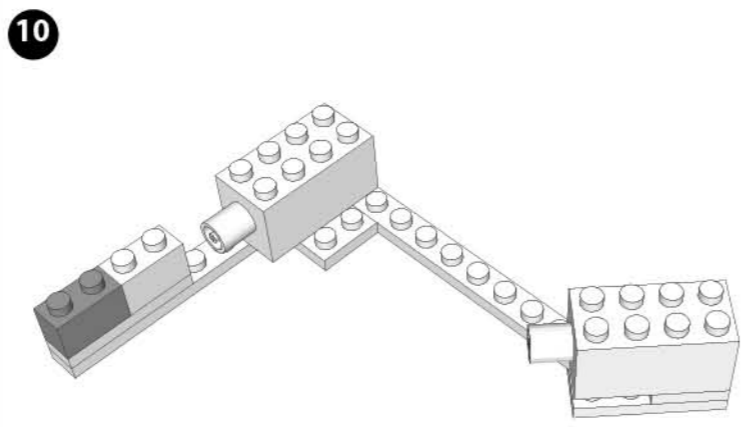
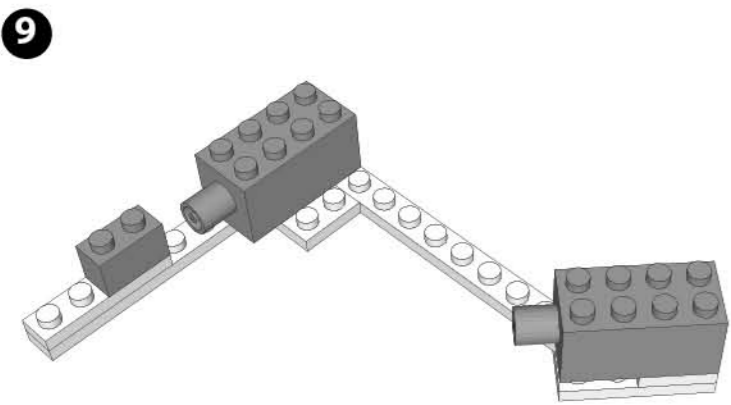
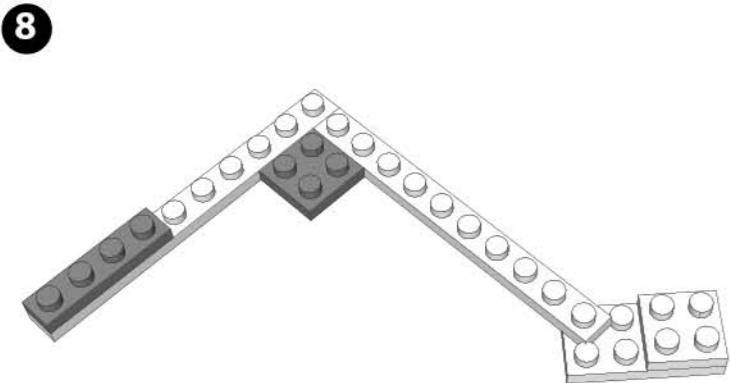
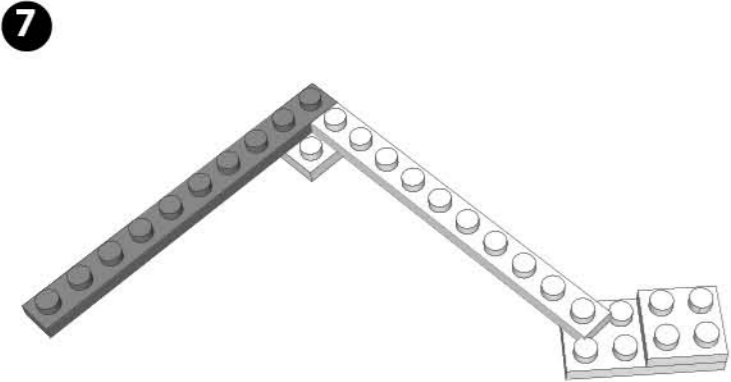
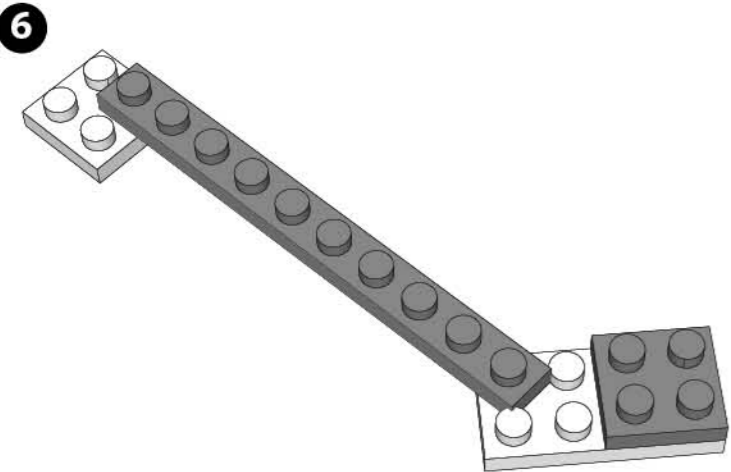


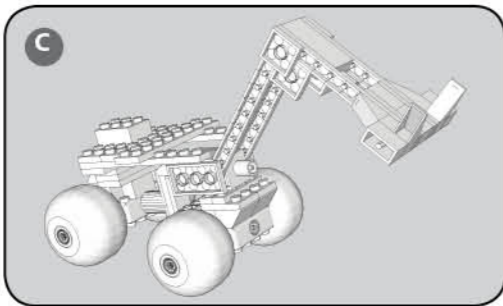
FLIP MODEL OVER



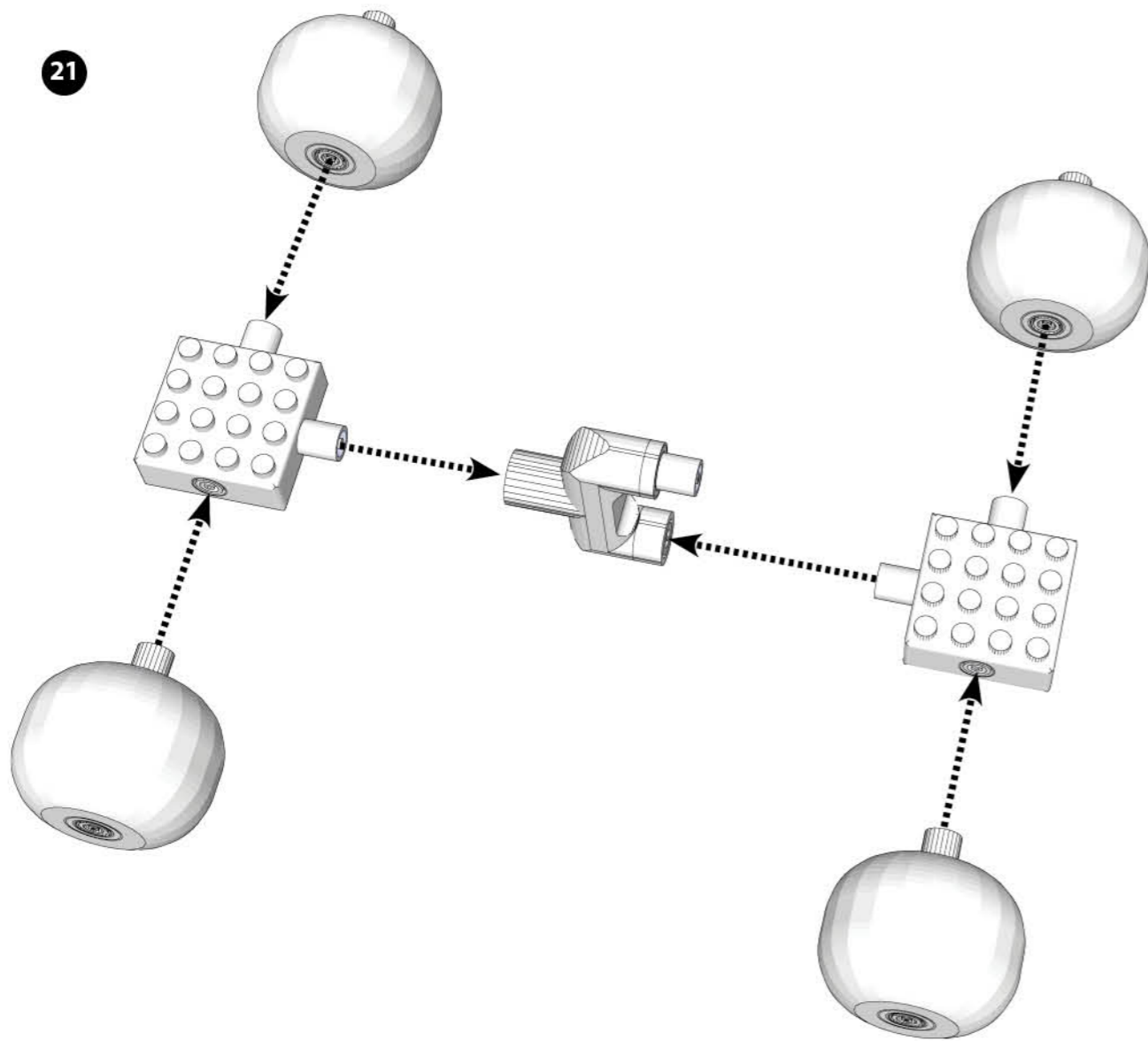
ROTATE MODEL

The toy is not to be connected to more than the recommended number of power supplies

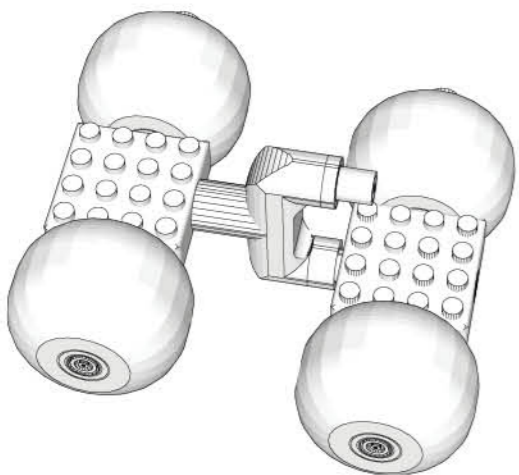




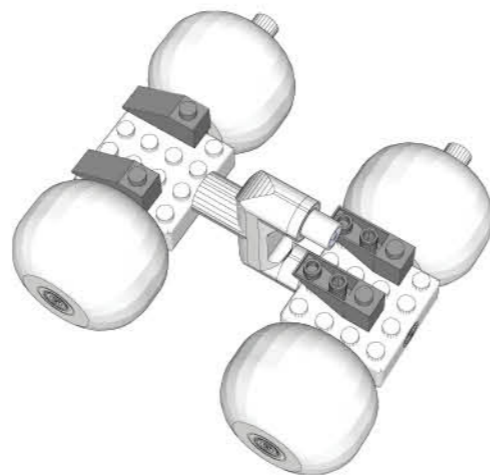
21



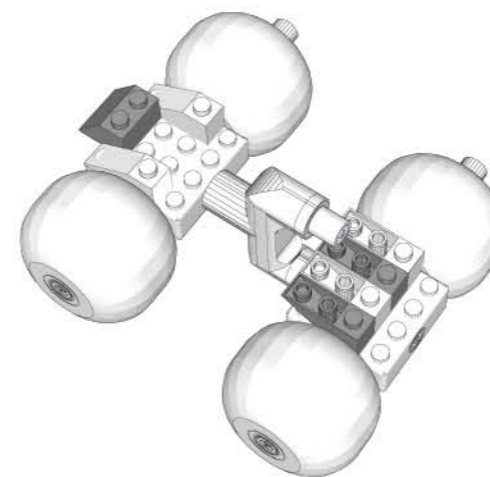
22



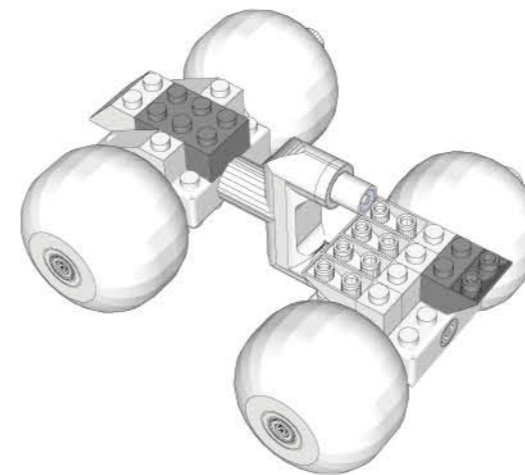
23



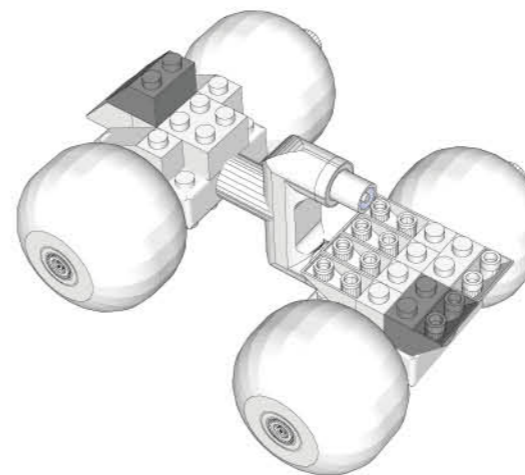
24



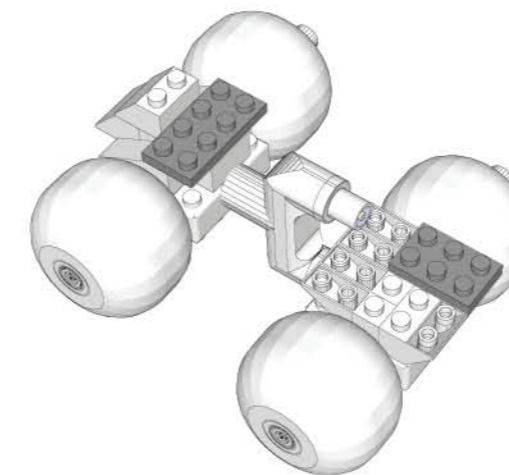
25



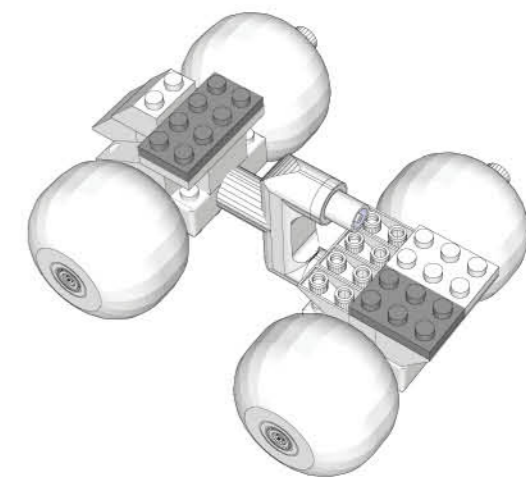
26



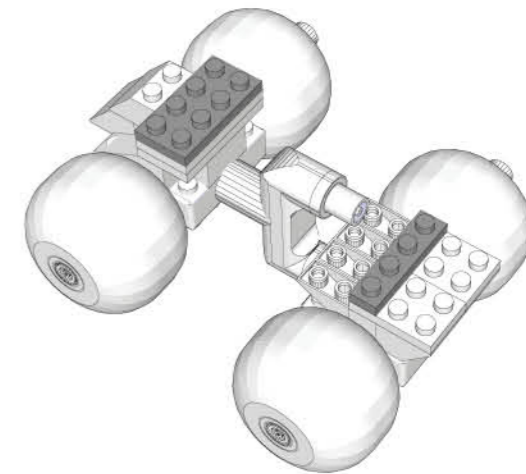
27



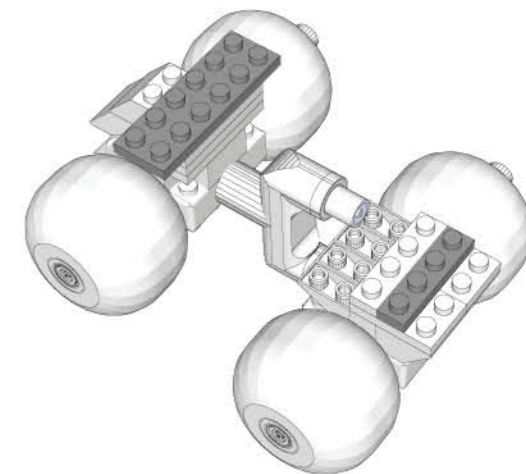
28



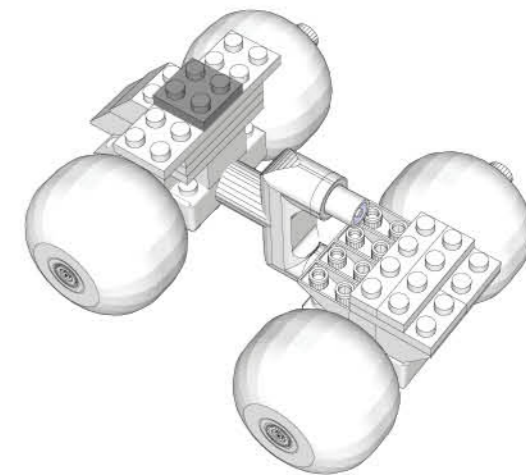
29




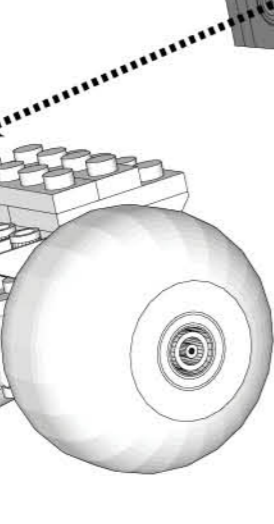
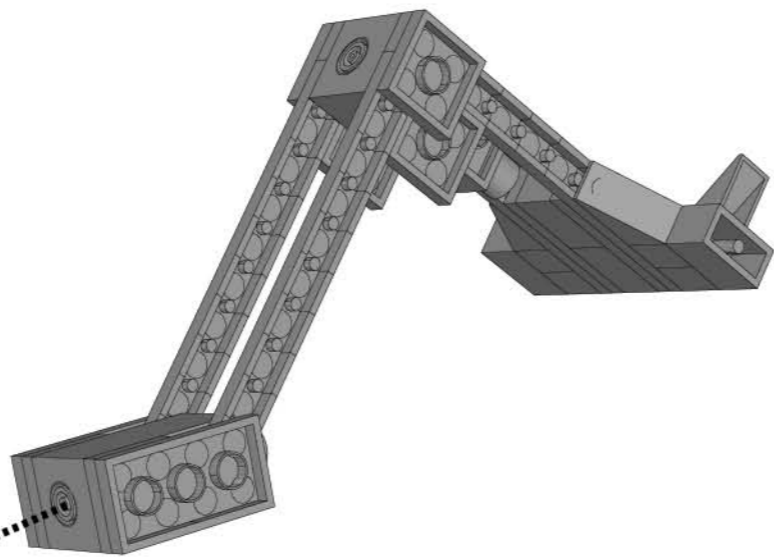
30



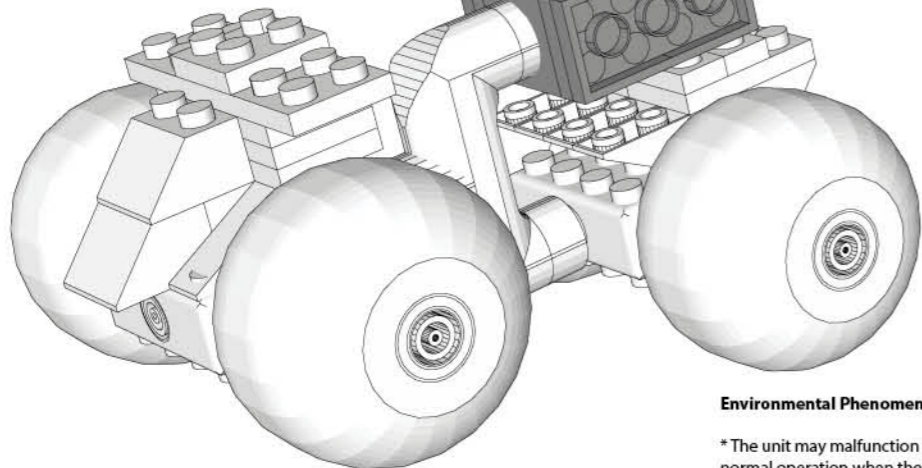
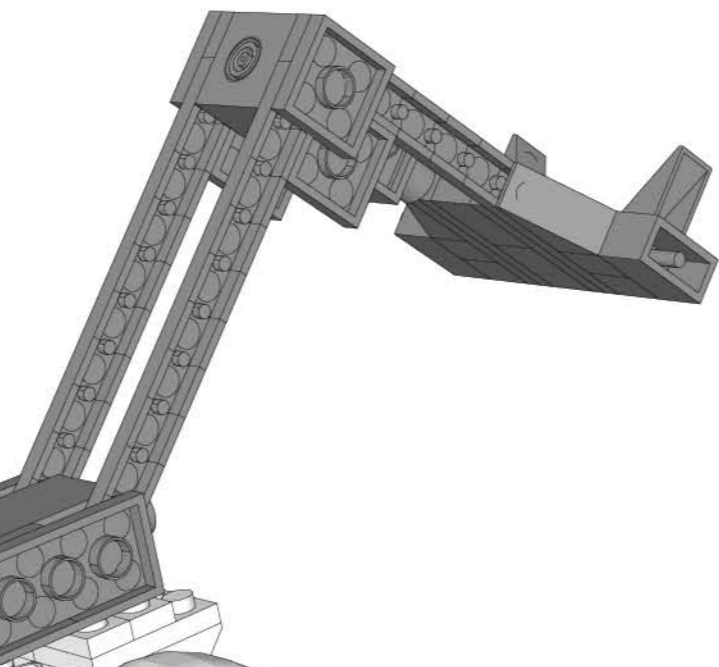
31



32  B



33

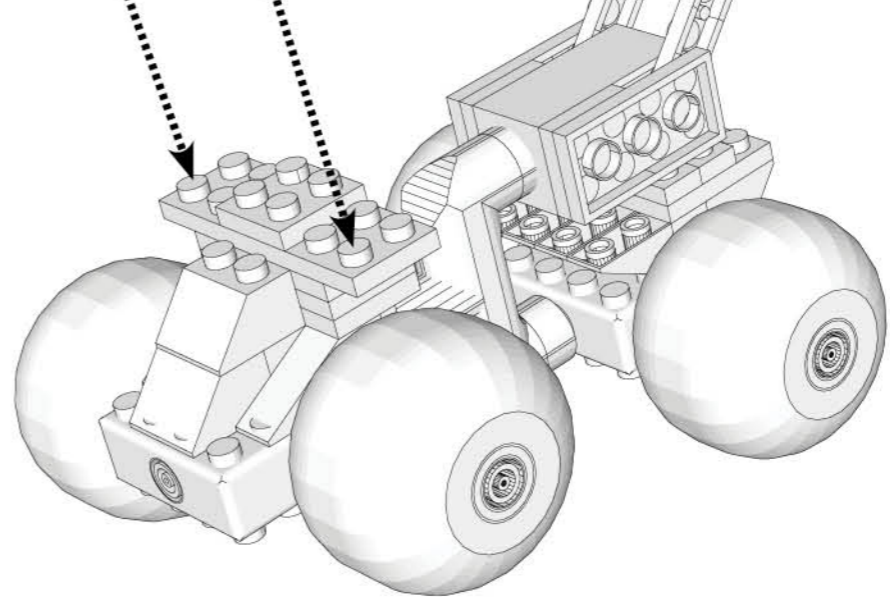
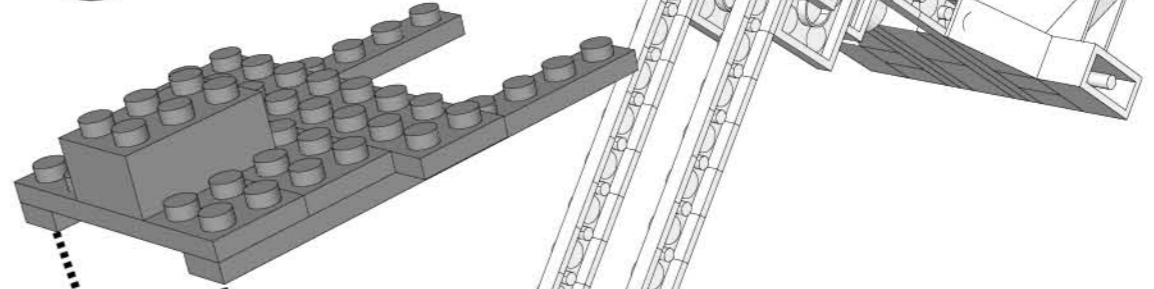


Environmental Phenomena

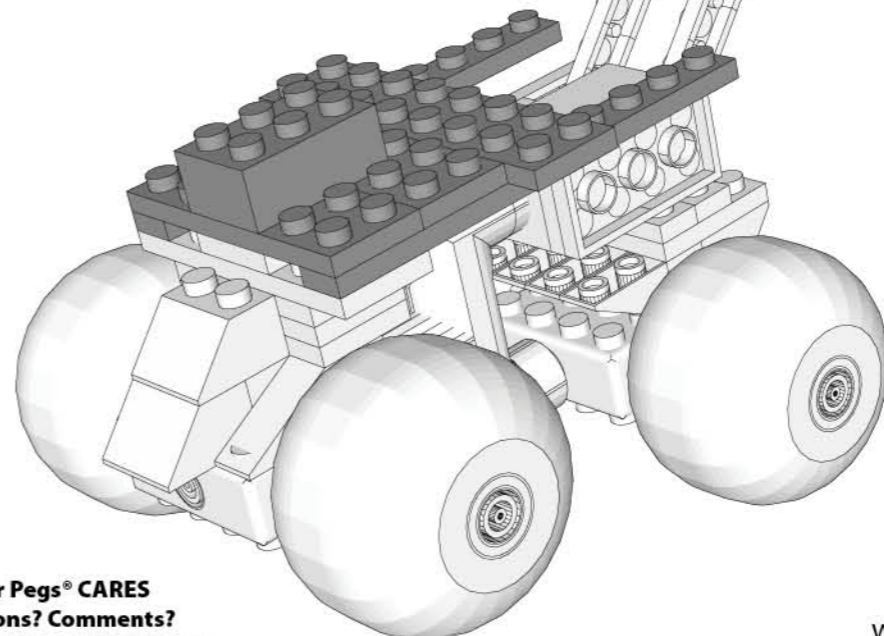
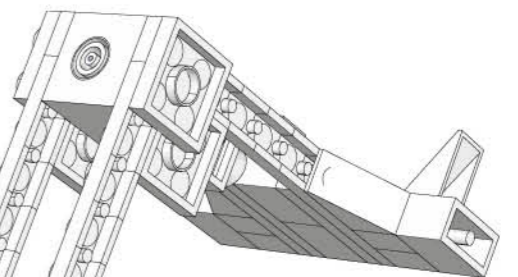
*The unit may malfunction if subjected to radio-frequency interference. It SHOULD revert to normal operation when the interference stops. If not, it may become necessary to turn the power off and back on, or remove and reinstall the batteries.

*In the unlikely event of an electrostatic discharge, the unit may malfunction and lose memory, requiring the user to reset the device by removing and reinstalling the batteries.

34  A



35



Laser Pegs® CARES
Questions? Comments?
For additional compliance info:
1-866-432-3735
Contact: Support@LaserPegs.com

MADE IN CHINA
www.LaserPegs.com
Copyright 2014 © All Rights Reserved Global & Multiple Patents Pending.
US Patent #7,731,558