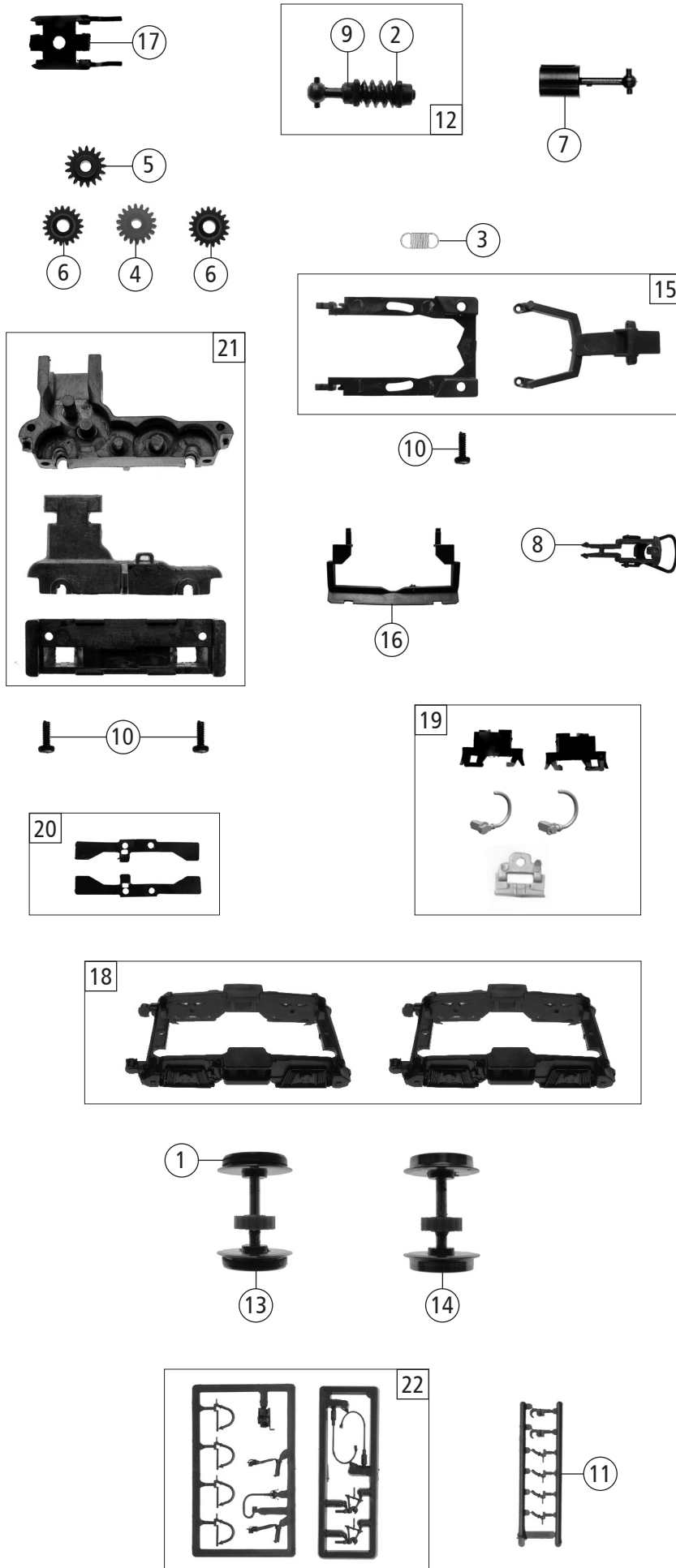


| 51285 | | DB-AG | BR 204 | = | |
|---------------------|---|---------------------|------------------------------|---|--|
| Pos. Nr. Pos.no. | Beschreibung Description | Art.-Nr. Art.no. | Preisgruppe Price bracket | | |
| 1 | Kardanschale kurz 1,5mm Cardan reception short 1,5mm | 87129 | 4 | | |
| 2 | Puffer eckig gewölbt Rectangular buffer curved | 123497 | 3 | | |
| 3 | Puffer eckig flach Rectangular buffer flat | 123498 | 3 | | |
| 4 | Decoder 8-polig Decoder 8-pin | 10884 | --- | | |
| 5 | Motor Motor | 113092 | 28 | | |
| 6 | GF - Schraube M1,6x4 mm Self-tapping screw M1,6x4 mm | 114850 | 3 | | |
| 7 | Motorplatine kpl. m. LED-Platine PCB complete with LED-PCB | 122483 | 26 | | |
| 8 | Gehäuse kpl. Betr.Nr. 204 869-2 Body ass. loco no. 204 869-2 | 139494 | 24 | | |
| 9 | Kabine kpl. Betr.Nr. 204 869-2 Drivers cab ass. loco no. 204 869-2 | 139492 | 21 | | |
| 10 | TS - Griffe für Vorbau Part set handles for front end | 123453 | 9 | | |
| 11 | Türgriffstange Door handrail | 137128 | 5 | | |
| 12 | Führerstand lackiert Driver's cab painted | 139493 | 6 | | |
| 13 | Stirnfenster geprägt Front window printed | 136471 | 6 | | |
| 14 | TS - Lichtnägel Part set light pins | 139337 | 6 | | |
| 15 | Vordach lackiert Canopy, painted | 123487 | 6 | | |
| 16 | Vorbaudeckel 1 und 2 Front end housing 1 and 2 | 137130 | 9 | | |
| 17 | Seitenfenster geprägt Side window printed | 136472 | 6 | | |
| 18 | TS - Gehäuse Part set body | 123490 | 5 | | |
| 19 | Scheibenwischersatz Windshield wiper set | 123491 | 5 | | |
| 20 | Signalhorn Signal horn | 123492 | 3 | | |
| 21 | Motordistanzplatte Motor spacer plate | 123465 | 5 | | |
| 22 | Grundrahmen Basic frame | 139490 | 19 | | |
| 23 | Kühlschlange Cooling coil | 123494 | 4 | | |
| 24 | Rangiergriffstange Shunter hand-rail | 123496 | 3 | | |
| 25 | LED - Abdeckung LED - cover | 139331 | 4 | | |
| 26 | Platine für Lichtabdeckung PCB for light cover | 139332 | 6 | | |
| 27 | Lichtring lackiert Light ring painted | 139500 | 4 | | |

Änderungen in Konstruktion und Ausführung vorbehalten
We reserve the right to change the construction and specification



| Pos. Nr. Pos.no. | Beschreibung Description | Art.-Nr. Art.no. | Preisgruppe Price bracket |
|---------------------|---|---------------------|------------------------------|
| 1 | Haftringsatz 10Stk. 10,3-12,8 mm Set with traction tyres 10pieces | 40069 | --- |
| 2 | Scheibe Washer | 86108 | 3 |
| 3 | Zugfeder Draw spring | 86208 | 3 |
| 4 | Zahnrad Z=18 gerade M=0,4 Gear wheel Z=18 straight M=0,4 | 86460 | 3 |
| 5 | Schnecken Zahnrad Z=15/14 Worm gear wheel Z=15/14 | 86490 | 5 |
| 6 | Zahnrad Z=19/0,4G Gear wheel Z=19/0,4G | 86493 | 3 |
| 7 | Kardanwelle Cardan shaft | 87214 | 5 |
| 8 | Standardkupplung Standard coupling | 89246 | 6 |
| 9 | Lager für Schneckenachse Bearing for worm gear axle | 89749 | 6 |
| 10 | GF - Schraube M1,6x4 mm Self-tapping screw M1,6x4 mm | 114850 | 3 |
| 11 | Attrappenrahmen klein schwarz Small dummy frame,black | 107808 | 4 |
| 12 | Schneckensatz kpl. Kardankugel Set of worm gear incl. cardan ball | 122482 | 13 |
| 13 | Radsatz m. 2 Haftringe m. Zahnrad Wheelset w. 2 traction tyres w. gear wheel | 137124 | 12 |
| 14 | Radsatz m. Zahnrad o. Haftring Wheelset w. gear wheel w/o traction tyre | 137123 | 11 |
| 15 | TS - Kupplungen Part set couplings | 123468 | 8 |
| 16 | Schneeräumer Snow plow | 123495 | 5 |
| 17 | Schneckenendeckel Worm gear cover | 123471 | 4 |
| 18 | Drehgestellblenden 1 und 2 Bogie frame 1 and 2 | 123499 | 11 |
| 19 | Blendensteckteile Cover plug-in parts | 123500 | 6 |
| 20 | Radkontaktsatz Wheel contact set | 123475 | 6 |
| 21 | Getriebebesatz 3-teilig Gear set 3-parts | 123501 | 13 |
| 22 | Zubehör Rahmensatz Set of accessory frames | 108322 | 7 |