

Lindam

safe & secure folding bedrail



IMPORTANT KEEP FOR FUTURE REFERENCE

Lindam Limited Hornbeam Park Harrogate HG2 8PA England www.lindam.com
 model: LD121 product code: 44371

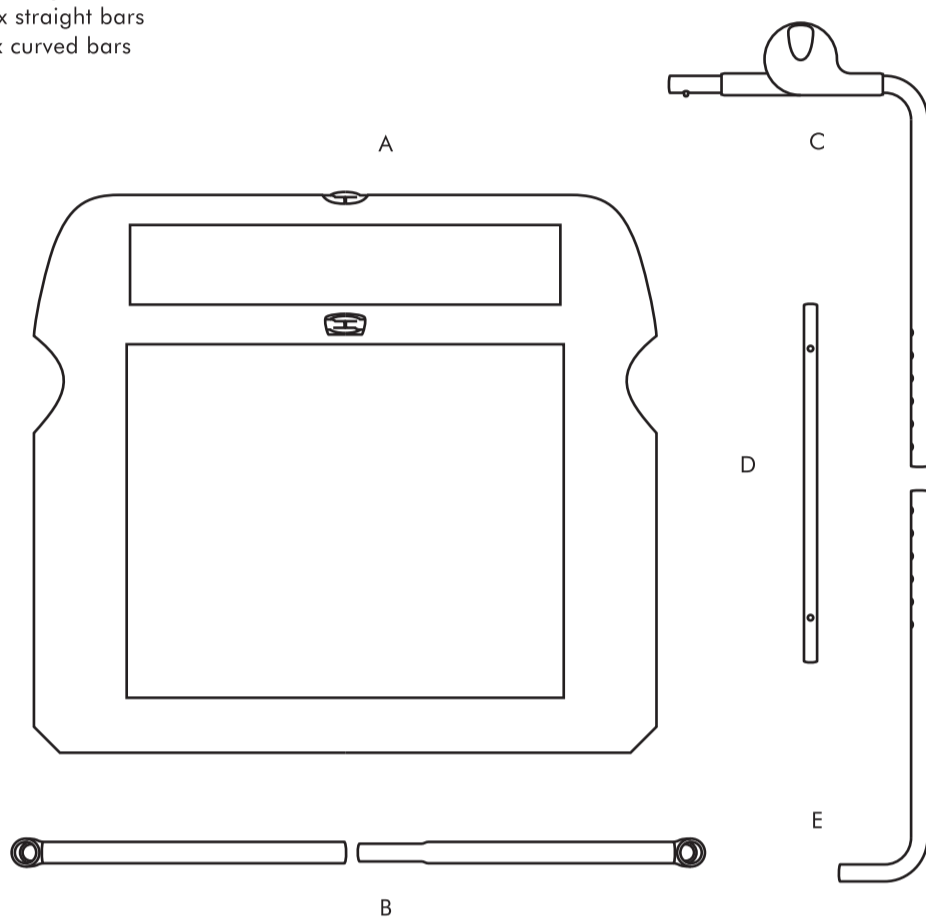
8

1

GB ASSEMBLY INSTRUCTIONS

Please read these instructions fully before you begin to assemble your bedrail. You should have the following components.

- A 1 x fabric barrier
- B 2 x loop ended bars
- C 2 x hinged bars
- D 2 x straight bars
- E 2 x curved bars



If any parts are missing do not attempt to use your bedrail. Please call our customer care line on: 08701 118 118 to obtain replacements. Only use parts supplied by Lindam with your bedrail.

2

7

CLEANING

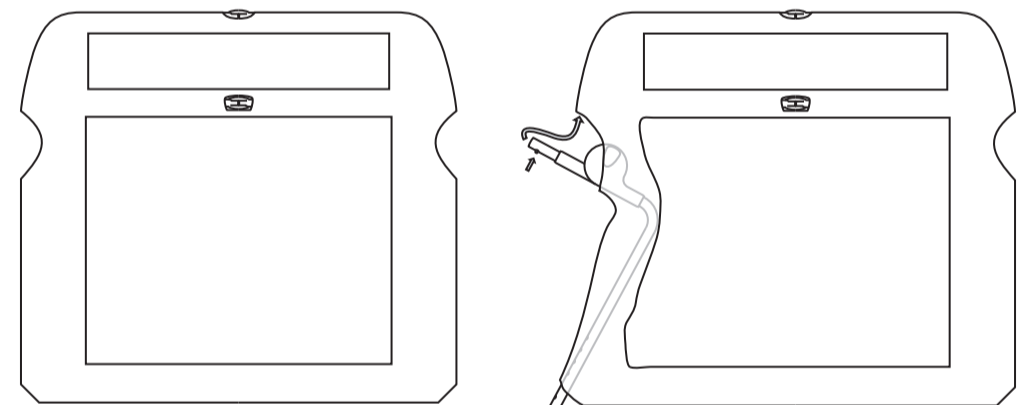
Clean your gate with a damp cloth and water or a mild detergent. Do not use harsh or abrasive cleaning agents.

SAFETY INFORMATION

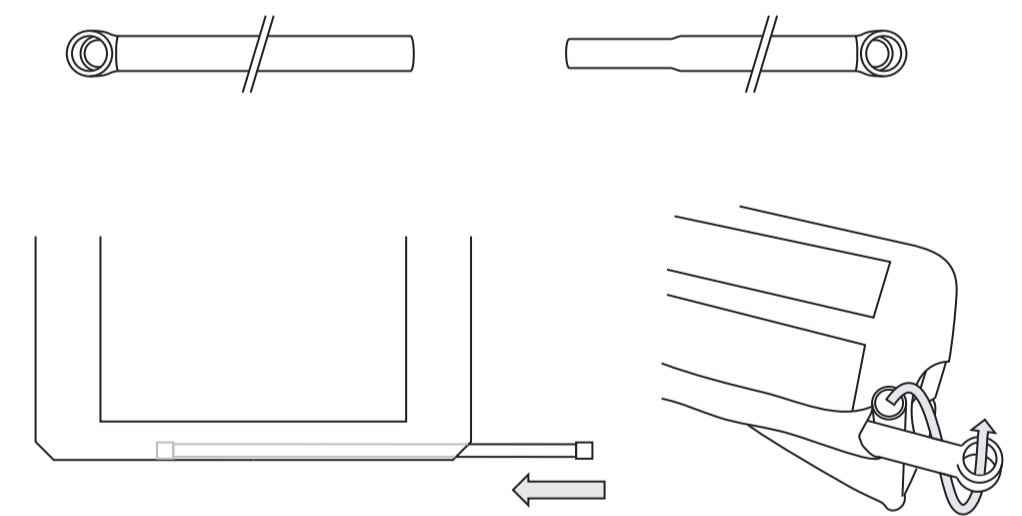
- It is not recommended that this bedrail is used by children under the age of 18 months or when the child is over 5 years of age.
- It is recommended that this bedrail is only used by children that are able to climb in and out of bed unaided.
- This bedrail is only suitable for a maximum mattress thickness of 25cm.
- This bedrail should not be used on a sleeping surface that is more than 60cm from the floor.
- * This bedrail should not be used as a substitute for a cot, as it cannot provide the same level of safety as a cot.

ASSEMBLING YOUR BEDRAIL

Unfold your main fabric barrier until it clicks and locks securely in the extended position. Lay this section out on the floor with the hinges facing down away from you (these will be away from the child when the bedrail is assembled). Slide the longest section of the hinged bar into the fabric where shown and push the shorter bar inside the tube of the barrier. Press in the small silver stud on the shorter bar and push in completely. Once correctly located the silver stud will pop into place. Repeat on the other side.



Push the loop ended bars together, to form the horizontal bar of the bedrail. Thread one end through the edge of the fabric where shown. The end of the hinged bars can now be slotted into the loops.

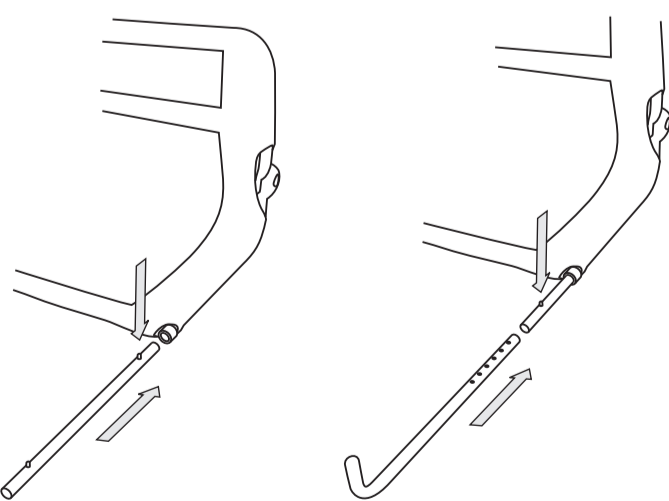


6

3

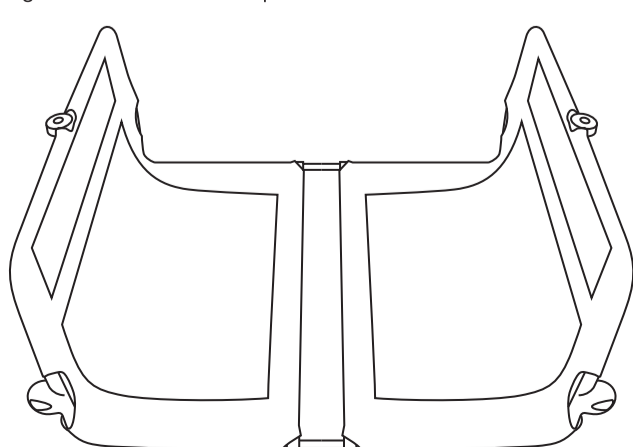
Push the straight bars through the loops and into the hinged bars, ensuring that the small silver studs are facing upwards. By pressing the small silver stud, through the fabric, you will be able to continue to insert the straight bar by up to 10cm. This allows for adjustments to accommodate different mattress sizes. Always make sure the small silver stud has popped into place to lock the bar.

Now simply slide the curved bar over the straight bar until the second small silver stud pops into place. There are 5 holes in the curved bar to allow further adjustments. Repeat on the other side of your bed guard.



USING 2 BARRIERS ON OPPOSITE SIDES OF THE BED

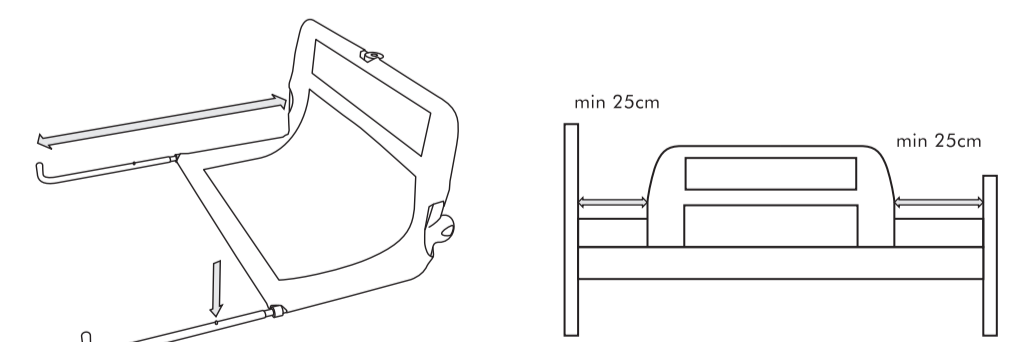
You may require a barrier on both sides of your child's bed. Simply assemble 2 Lindam bedrails as instructed, but omit the curved bars and one pair of straight bars. The 2nd bedrail simply slots over the straight bars of the 1st. Ensure the small silver studs pop securely into place. Again these allow for adjustment to accommodate different mattress sizes.



4

INSTALLING YOUR BEDRAIL

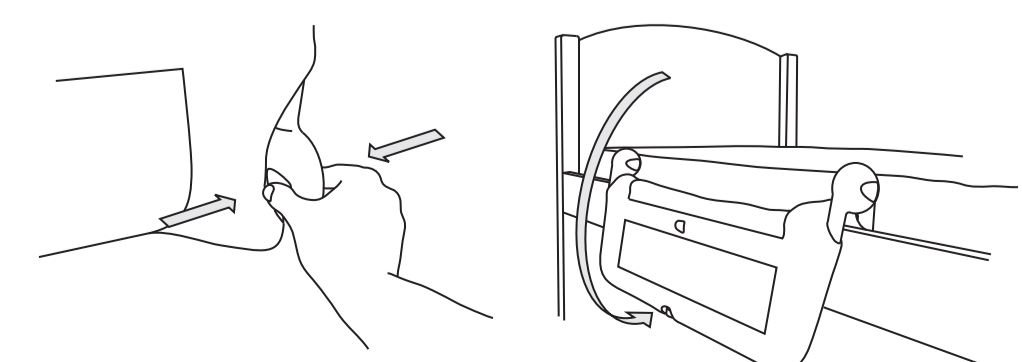
Set the distance between the upright portions of your bedrail so that it is equal to the width of your mattress. Make sure all silver studs are correctly located and the guard is secure. **WARNING:** To prevent the risk of strangulation. It is essential that when the bedrail is fitted into position, there is a gap of at least 25cm between each end of the bedrail and the headboard/foot of the bed. The end of the bedrail should be roughly level with your child's shoulder when lying in bed. Replace your mattress and check that both sides of the bedrail grip the sides of the mattress. Always check that your bedrail is secure.



OPERATING YOUR FOLDING BEDRAIL

To give you easier access to your child the Lindam Safe & Secure Soft Folding Bedrail is designed to fold downwards. Simply squeeze the 4 coloured buttons (2 on each hinge) simultaneously and fold the upper portion of the bedrail downwards.

When you put your child back to bed simply fold the guard back up until it clicks. Always check that your bedrail is secure.



5