

beper

• PIASTRA PER CAPELLI A VAPORE

MANUALE DI ISTRUZIONI

• STEAM HAIR STRAIGHTENER - USE INSTRUCTIONS

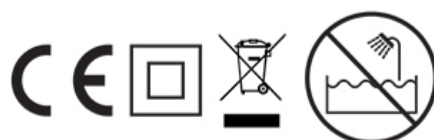
• PLAQUE À CHEVEUX AVEC VAPEUR

MANUEL D'INSTRUCTIONS

• HAARGLÄTTER MIT DAMPF - BETRIEBSANLEITUNG

• PLANCHA DE PELOS CON VAPOR

MANUAL DE INSTRUCCIONES



Cod.: 40.920

GENERAL SAFETY ADVICE

READ THE OPERATING INSTRUCTIONS CAREFULLY BEFORE FIRST USE OF THE APPLIANCE.

Read the following instructions carefully, since they give you useful safety information about installation, use and maintenance and help you avoid mishaps and possible accidents.

Remove the packing and make sure that the appliance is intact, with special attention to the supply cable. The elements of the packing (plastic bags, polystyrene, etc) do not have to be accessible to the children, in order to preserve them from danger sources.

It is recommended not to throw these packing material in the domestic waste, but to deliver them to the appropriate station of collection or destruction refusals, asking eventually information to the manager of the Sanitation Department of your own municipality.

Before connecting the appliance make sure that the mains voltage corresponds to the data specified on the label.

If the plug does not suit the socket, let it be replaced with another suitable plug by qualified personnel only, which shall also ensure that the section of the socket cables is suitable for your appliance power absorption.

Never pull the supply cord to unplug the appliance.

Make sure that the supply cord never comes into contact with hot or cutting surfaces

Do not use this appliance if the supply cord is damaged. In case of damage, it must be replaced by the manufacturer, its service agent or similarly qualified persons in order to avoid a hazard.

Only connect this appliance on alternating current

Generally, the use adaptors multiple plugs and/or extensions is not recommended; should they be necessary, please use only simple or multiple adaptors and extensions in compliance with the safety rules in force, making sure that the capacity absorption limit marked on the simple adaptors and the extensions and the maximum power limit marked on the multiple adaptor are not exceeded.

This appliance is to be destined to its special purpose only.

Any other use is to be considered as improper and thus dangerous. The manufacturer cannot be responsible for any damages deriving from improper, wrong or incautious use.

To avoid any heating risk, it is recommended to unroll completely the supply cord and to unplug the appliance, when not used.

Before cleaning, always unplug the appliance.

To protect against electric shock, do not immerse cord, plug or any parts of the appliance into water or other fluids.

Do not hold the appliance with wet hands or feet.

Do not hold the appliance with naked feet.

Do not expose the appliance to atmospheric agents such as rain, wind, snow, hail.

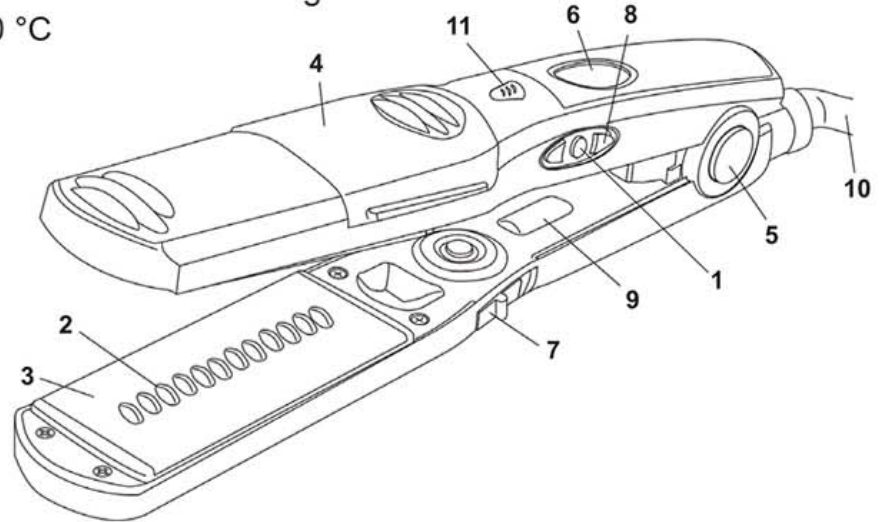
Do not use the appliance near explosives, highly flammable materials, gases, burning flames, heaters.

Do not allow children, disabled people or every people without experience or technical ability to use the appliance if they are not properly watched over. Close supervision is necessary when any appliance used by or near children.

Make sure that children do not play with this appliance.

If you decide not to use the appliance any longer, make it unserviceable by simply cutting the supply cable after disconnecting the plug from the socket. Also make any dangerous parts unserviceable, especially for children who could play with the appliance.

1. On/Off switch – Automatic switch off
2. Retractable untangling comb – 3 positions – no comb/ medium comb for fine hair and smaller locks of hair/long comb for thick hair and larger locks of hair
3. Aluminum plates with Ceramic Intense coating
4. Water reservoir
5. Locking system to keep the plates closed
6. Indicator light
7. Steam function switch – 3 positions – no steam/normal/ high
8. Temperature selector – 170 °C to 230 °C
9. Ionic function : shine and antistatic
10. Swivel cord
11. Water reservoir remove button



BEFORE PLUGGING IN THE STRAIGHTENER:

- Remove the little reservoir (3) located at the top of the unit and fill it with water, preferably distilled (first lift the little white rubber button). Then put the reservoir back on the straightener. • Check that the reservoir is properly positioned and closed.
- Check that your hands and the outside of the reservoir are dried well. If you have to fill the reservoir a second time, unplug the unit and replace the reservoir immediately after filling it making sure you don't touch the hot plates. Let the unit heat up for at least 2-3 minutes before using the steam function. Avoid any contact between the hot surfaces and your face or neck. Make sure you don't direct the steam at your face or neck.

USE

- Plug the Steam straightener in and press the ON/ OFF (1) button.
- Wait a few minutes until the straightener has heated up. Select the desired temperature using the temperature selectors (8). A lower temperature is generally recommended for fine, bleached and/or damaged hair, and a higher temperature for curly, thick and/or difficult to style.

NB: The first time you use the unit, you might notice a little smoke and a particular odour: this is common and will disappear the next time you use the unit. You will also notice that the unit sputters slightly, this sound is normal for a high output ion generator.

USING WITH STEAM:

Switch the steam function on (7).

Select the desired output according to your hair type. Also use the untangling comb (2) which will let you spread your hair evenly between the teeth of the comb and to untangle your hair with ease. Select the desired height beforehand. On first use, or if the unit has not been used for a while, start up the steam function by closing and opening the unit 7 to 8 times (a pumping action). Straighten your hair from root to tip.

USING WITHOUT STEAM:

The straightener can also be used without steam, all you need to do is slide the switch into the 'no steam' position or use it with an empty reservoir.

IONIC FUNCTION:

Your appliance will automatically disperse negative ions which reduce static electricity, add shine to your hair and make it easier to manage.

MAINTENANCE

- Unplug the unit and allow to cool completely.
- Make sure you empty the reservoir after every use.
- Clean the plates using a soft, damp cloth, without detergent, to preserve the optimal quality of the plates. Do not scratch the plates.
- Store the straightener with the plates pressed together to protect them.
- It is preferable to use distilled water to fill the reservoir. Otherwise, take care to descale the unit from time to time.

TECHNICAL DATA

Power: 45W

Voltage: 100-240V ~ 50/60Hz

For any improvement reasons, Beper reserves the right to modify or improve the product without any notice.



The European directive 2011/65/EU on Waste Electrical and Electronic Equipment (WEEE), requires that old household electrical appliances must not be disposed of in the normal unsorted municipal waste stream. Old appliances must be collected separately in order to optimize the recovery and recycling of the materials they contain, and reduce the impact on human health and the environment. The crossed out "wheeled bin" symbol on the product reminds you of your obligation, that when you dispose of the appliance, it must be separately collected.

GUARANTEE CERTIFICATE

This appliance has been checked in the factory. From the date of original purchase a 24 month guarantee applies to material and production defects. The purchase receipt and the guarantee certificate must be submitted together in case of claim to guarantee.

The guarantee is valid only with a guaranty certificate and proof of purchase (fiscal receipt) indicating the date of purchase and the model of the appliance

For any technical assistance, please contact directly the seller or our head office in order to preserve the appliance's efficiency and NOT TO void the guarantee. Any intervention on this appliance by non-authorized persons will automatically void the guarantee.

Guarantee conditions

If the appliance shows defects as a result of faulty material and/or production during the period of guarantee, we guarantee repair free of charge on condition that:

- The appliance has been used properly and for the purpose for which it has been intended.
- The appliance has not been tampered with, otherwise it is not maintainable.
- The purchase receipt shall be presented.
- The appliance showing a fair wear and tear shall not be covered by this guarantee.

Therefore, any part that could be accidentally broken or having visible signs of use in consumable products (such as lamps, batteries, heating elements...) the aesthetic parts are excluded from the guarantee, and any defect whatsoever resulting from non-respect of the rules for use, negligence in usage and/or maintenance of the appliance, carelessness, wrong or improper installation, damage during transport and any other damage not attributable the supplier.

For every defect that could not be repaired within the guarantee period, the appliance will be replaced free of charge.

In any case, if the part to be replaced for defect, breakage or malfunction is an accessory and/or a detachable part of the product, Beper reserves the right to replace only the very part in question and not the entire product

Technical assistance

Even after the guarantee period we will always pay attention to repairs for defected appliances. For technical assistance and/or repairs after the guarantee period you can directly contact the below address:

CONTACT YOUR DISTRIBUTOR IN YOUR COUNTRY OR AFTER SALES DEPARTMENT
BEPER. E-MAIL assistenza@beper.com
WHICH WILL FORWARD YOUR ENQUIRIES TO YOUR DISTRIBUTOR.