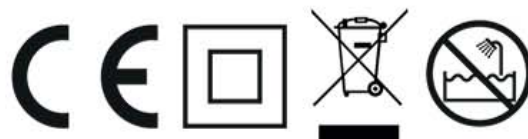


beper

- PIASTRA PER CAPELLI CON SENSORE
MANUALE DI ISTRUZIONI
- HAIR STRAIGHTENER WITH SENSOR - USE INSTRUCTIONS
 - PLAQUE À CHEVEUX AVEC CAPTEUR
MANUEL D'INSTRUCTIONS
 - HAARGLÄTTER MIT SENSOR - BETRIEBSANLEITUNG
 - PLANCHA DE PELOS CON SENSOR
MANUAL DE INSTRUCCIONES



Cod.: 40.959

GENERAL SAFETY ADVICE

READ THE OPERATING INSTRUCTIONS CAREFULLY BEFORE FIRST USE OF THE APPLIANCE.

Read the following instructions carefully, since they give you useful safety information about installation, use and maintenance and help you avoid mishaps and possible accidents.

Remove the packing and make sure that the appliance is intact, with special attention to the supply cable. The elements of the packing (plastic bags, polystyrene, etc) do not have to be accessible to the children, in order to preserve them from danger sources.

It is recommended not to throw these packing material in the domestic waste, but to deliver them to the appropriate station of collection or destruction refusals, asking eventually information to the manager of the Sanitation Department of your own municipality.

Before connecting the appliance make sure that the mains voltage corresponds to the data specified on the label.

If the plug does not suit the socket, let it be replaced with another suitable plug by qualified personnel only, which shall also ensure that the section of the socket cables is suitable for your appliance power absorption.

Never pull the supply cord to unplug the appliance.

Make sure that the supply cord never comes into contact with hot or cutting surfaces

Do not use this appliance if the supply cord is damaged. In case of damage, it must be replaced by the manufacturer, its service agent or similarly qualified persons in order to avoid a hazard.

Only connect this appliance on alternating current

Generally, the use adaptors multiple plugs and/or extensions is not recommended; should they be necessary, please use only simple or multiple adaptors and extensions in compliance with the safety rules in force, making sure that the capacity absorption limit marked on the simple adaptors and the extensions and the maximum power limit marked on the multiple adaptor are not exceeded. This appliance is to be destined to its special purpose only.

Any other use is to be considered as improper and thus dangerous. The manufacturer cannot be responsible for any damages deriving from improper, wrong or incautious use.

To avoid any heating risk, it is recommended to unroll completely the supply cord and to unplug the appliance, when not used.

Before cleaning, always unplug the appliance.

To protect against electric shock, do not immerse cord, plug or any parts of the appliance into water or other fluids.

Do not hold the appliance with wet hands or feet.

Do not hold the appliance with naked feet.

Do not expose the appliance to atmospheric agents such as rain, wind, snow, hail.

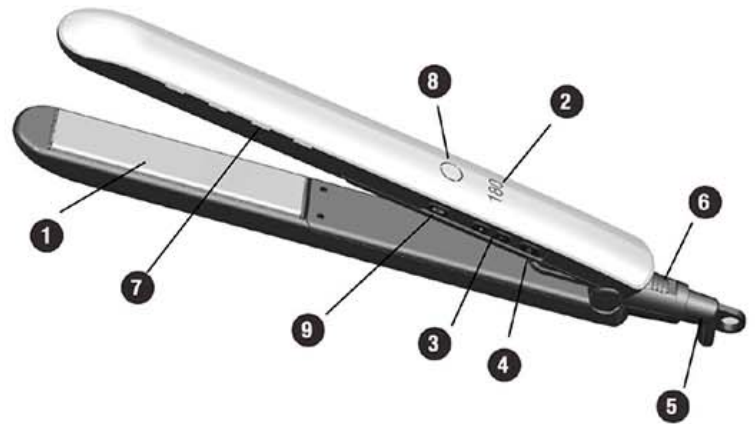
Do not use the appliance near explosives, highly flammable materials, gases, burning flames, heaters.

Do not allow children, disabled people or every people without experience or technical ability to use the appliance if they are not properly watched over. Close supervision is necessary when any appliance used by or near children.

Make sure that children do not play with this appliance.

If you decide not to use the appliance any longer, make it unserviceable by simply cutting the supply cable after disconnecting the plug from the socket. Also make any dangerous parts unserviceable, especially for children who could play with the appliance.

1. Ceramic coating plates
2. Temperature display
3. Temperature control button
4. On/Off button
5. Swivel cord
6. Hinge lock
7. Moist sensor
8. Sensor on indicator light
9. Sensor on/off button



HOW TO USE

How it works

Wet & dry technology allows the appliance to be used on damp hair.

Ventilation holes allow for release of excess moisture, ceramic coating plate make the hair look healthy and smooth—they completely straighten the hair follicles for a sleek and shiny appearance.

Heat settings

Take extra care when using a professional styler. This styler reaches a professional heat of the 210°C prevent hair damage, make sure to use the correct temperature setting for your hair type.

+/- button features

Set to desired temperature settings.

During heat up time, temperature display will pulse until the desired temperature is reached.

When the tool reaches the desired temperature, the pulsing will stop and the temperature will be displayed.

Decreasing: Press “+” button to increase the temperature

Decreasing: Press “-” button to decrease the temperature ((O))

Moist sensor:

How to use

-this optional function can be turned on, or off by pressing the sensor button located next to the unit's +/- button.

-when activated, the sensor icon will illuminate through the top of the straightener. The pulsating sensor lets you know that it is activated and will start protecting your hair from excessive damage.

How it works: ((O))

this function to be used on damp hair, after wash and dry your hair as usual.

Turn on button, the computerized sensor, is designed to identify dry area & wet area of your hair when you use this appliance, allowing you to style your hair fast and beautifully without the worry temperature and damaging your hair. the temperature will work in 190°C-200°C-210°C.when turn on the button, the temperature will be setting in 190 °C,then the temperature is adjusted according to the moisture of hair detected by the moisture sensor.

As you move the straightener through your wet hair, the sensor will automatically detect this moisture, when the moisture is more than 70%,the intelligent system will adjust the temperature to 200°C-210°C automatically

Once you pass over the dryer area, the straightener will re-adjust the temperature to 190°C automatically.to avoid excessive heat to already dry/damaged of your hair.

After finishing the sensor function(just press button again) or do not use the sensor function, you can check the below temperature table to care your hair for healthy care.

For your reference

Temp	Hair Type
160°C-180°C	Very fine, fragile, damaged hair
190°C	Dry hair, Normal, easy to straighten hair
200°C-210°C	Wet hair, Thick, difficult to straighten hair

Automatic safety shutoff

After approximately one hour, the unit will automatically shut itself. to reactive the unit, press the ON/OFF switch.

TECHNICAL DATA

Power 50W

110-240V ~ 50/60Hz

For any improvement reasons, Beper reserves the right to modify or improve the product without any notice.



The European directive 2011/65/EU on Waste Electrical and Electronic Equipment (WEEE), requires that old household electrical appliances must not be disposed of in the normal unsorted municipal waste stream. Old appliances must be collected separately in order to optimize the recovery and recycling of the materials they contain, and reduce the impact on human health and the environment. The crossed out "wheeled bin" symbol on the product reminds you of your obligation, that when you dispose of the appliance, it must be separately collected.