

**Bill of materials**



© Copyright Engino.net Ltd. All Rights Reserved.

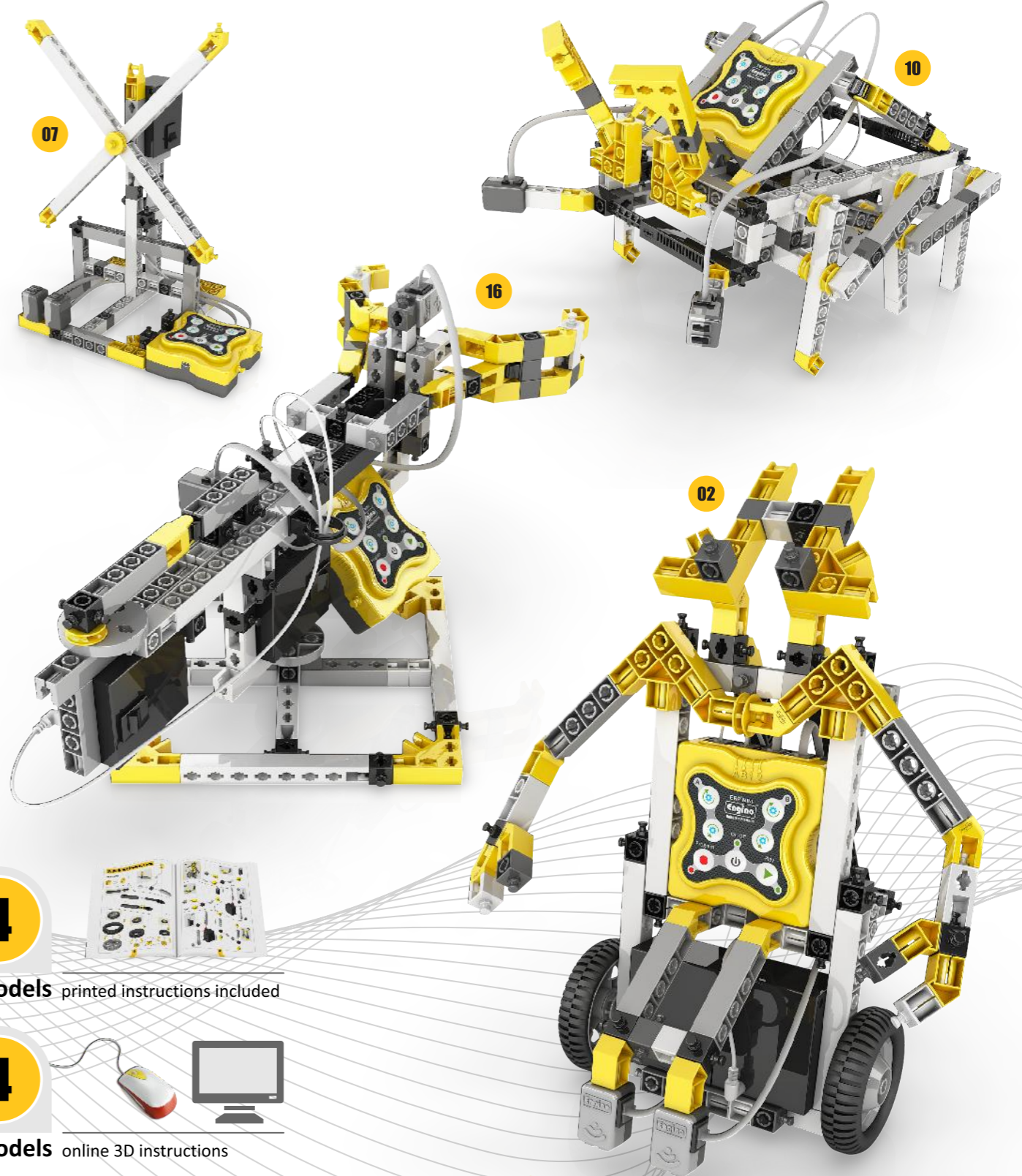
Engino.net Ltd | P.O.Box 72100, 4200 Limassol, Cyprus, European Union  
 Tel.: +357 25821960, Fax: +357 2582196  
 Email: info@engino.com, Website: www.engino.com



**WARNING:**  
 CHOKING HAZARD—Small parts.  
 Not for children under 3 yrs.

**DISCOVERING STEM**  
 Science • Technology • Engineering • Mathematics

**ROBOTICS MINI ERP 2.0**  
 DEVELOPED FOR TEACHING ROBOTICS PROGRAMMING AT PRIMARY AND SECONDARY EDUCATION Bluetooth



**4** models printed instructions included

**4** models online 3D instructions



**3D interactive instructions**  
 to download on your smart device

**8** models to build

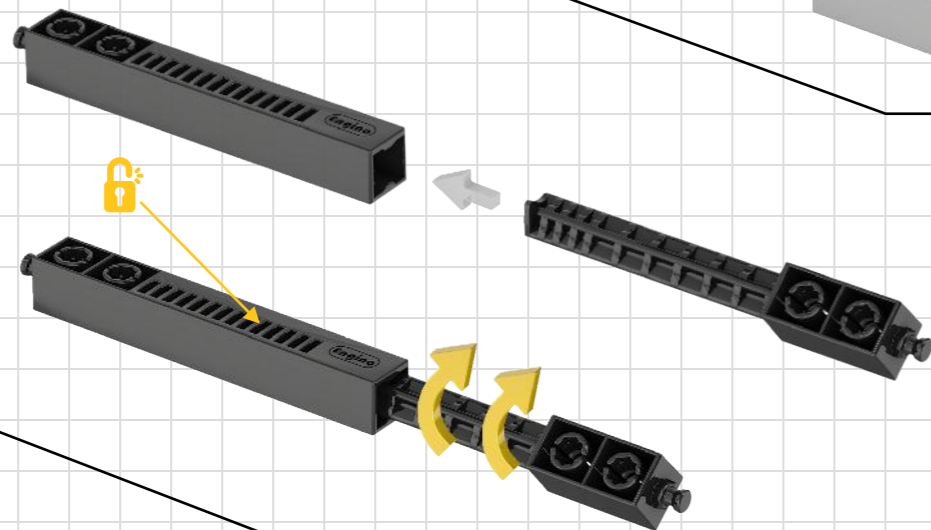
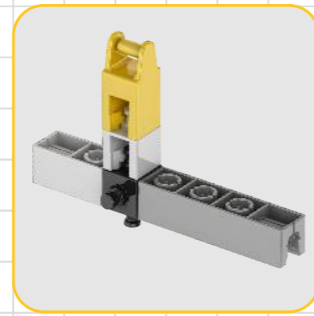
**8-16+**



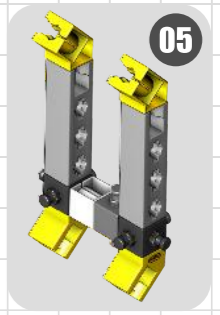
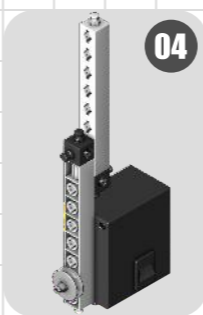
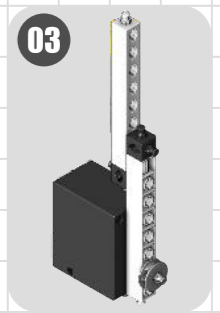
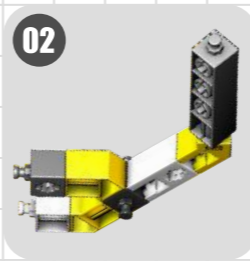
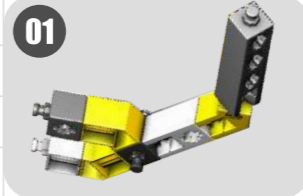
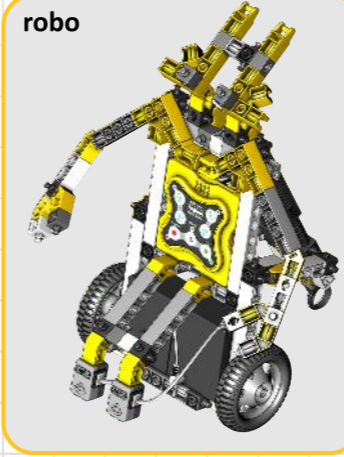


# Building Instructions

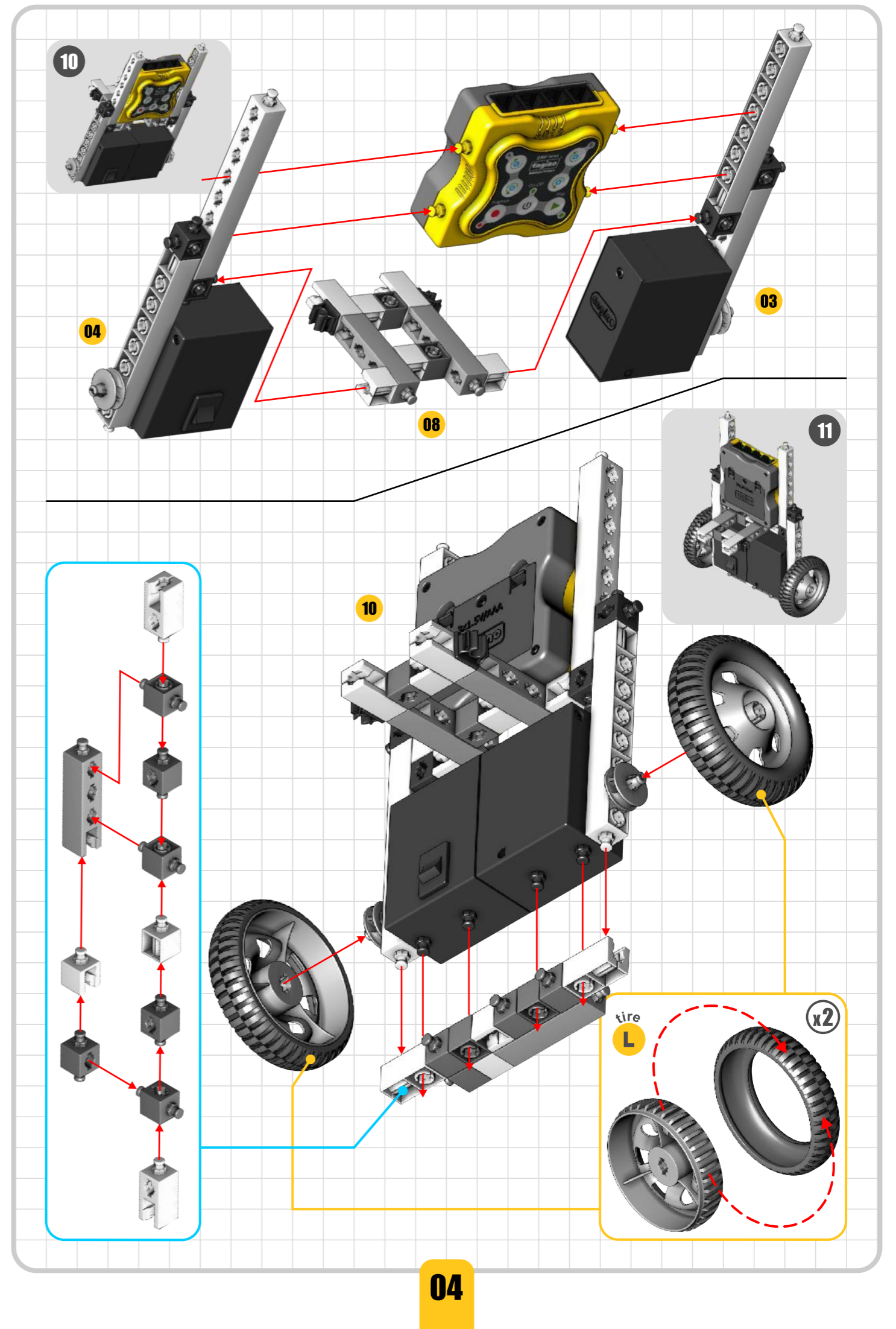
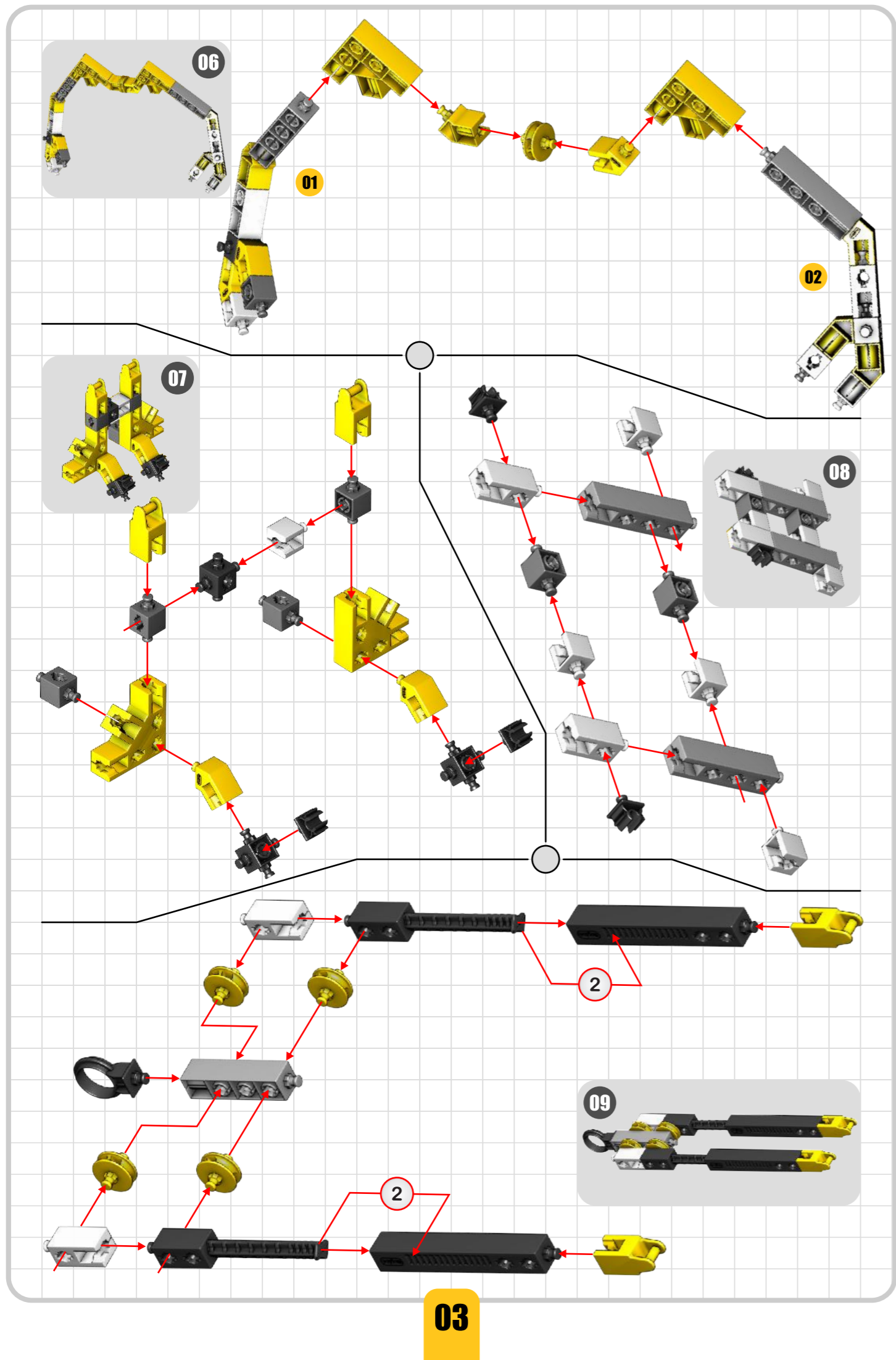
## Building tips



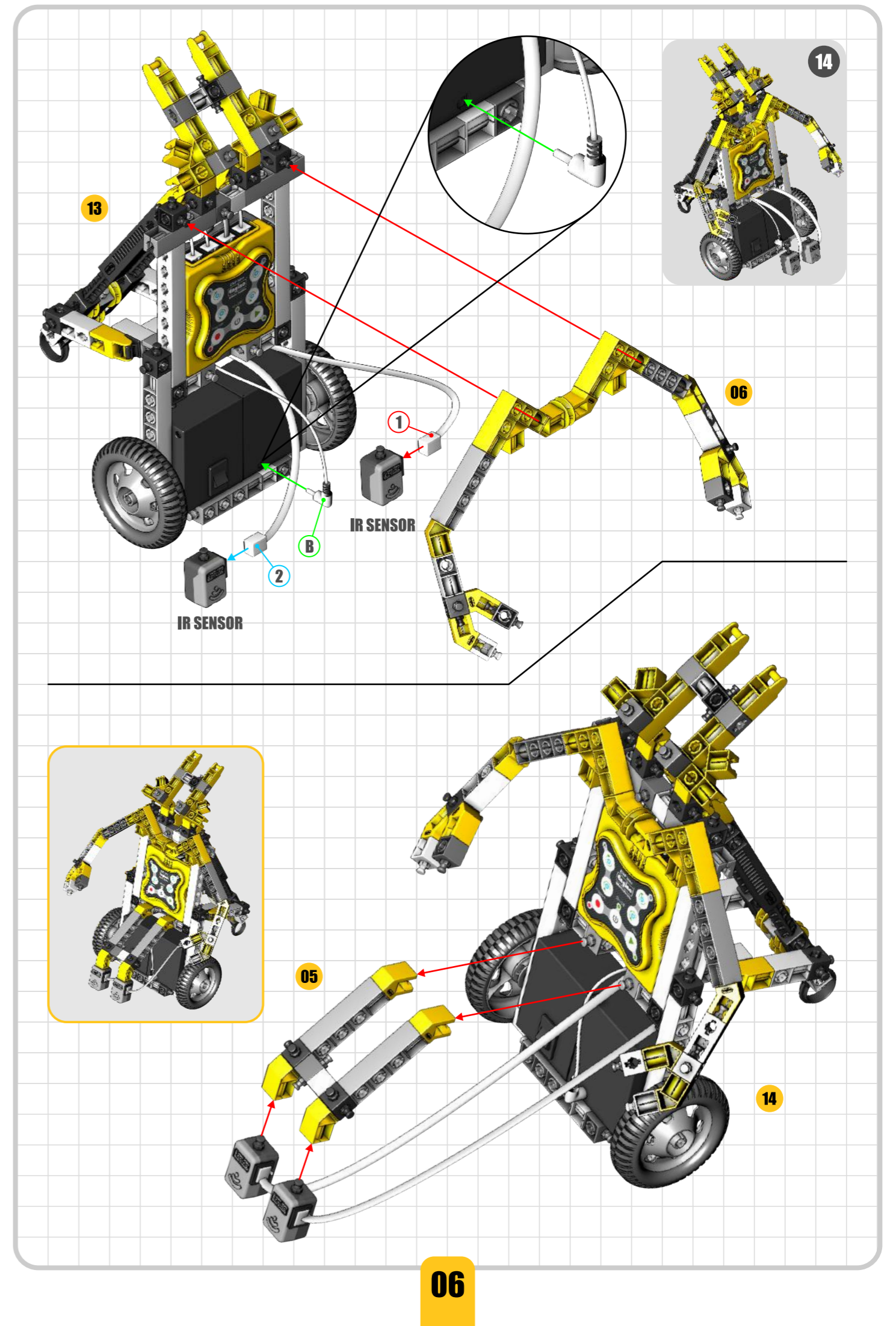
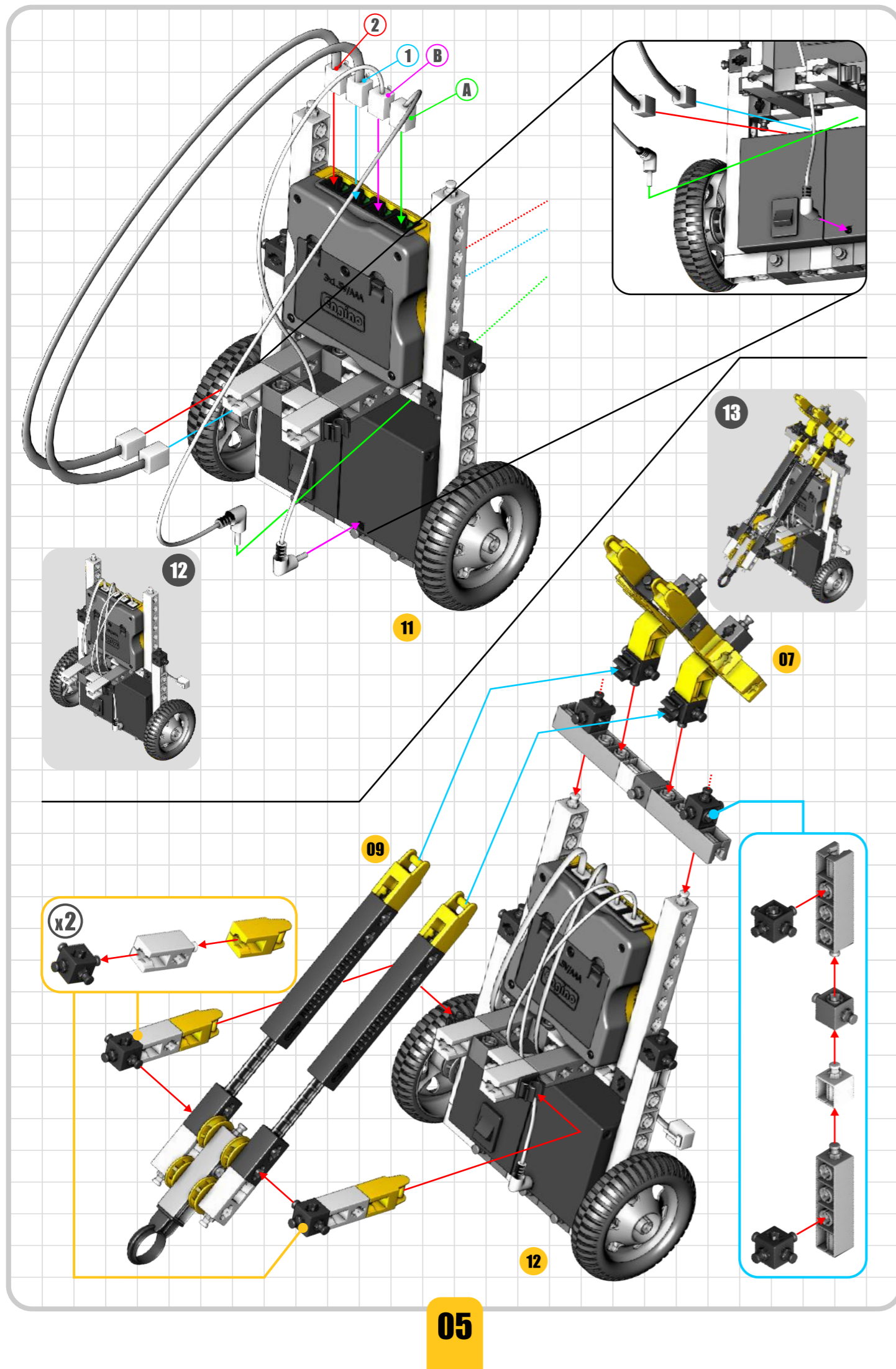
01



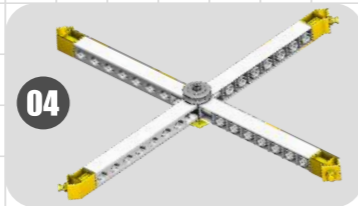
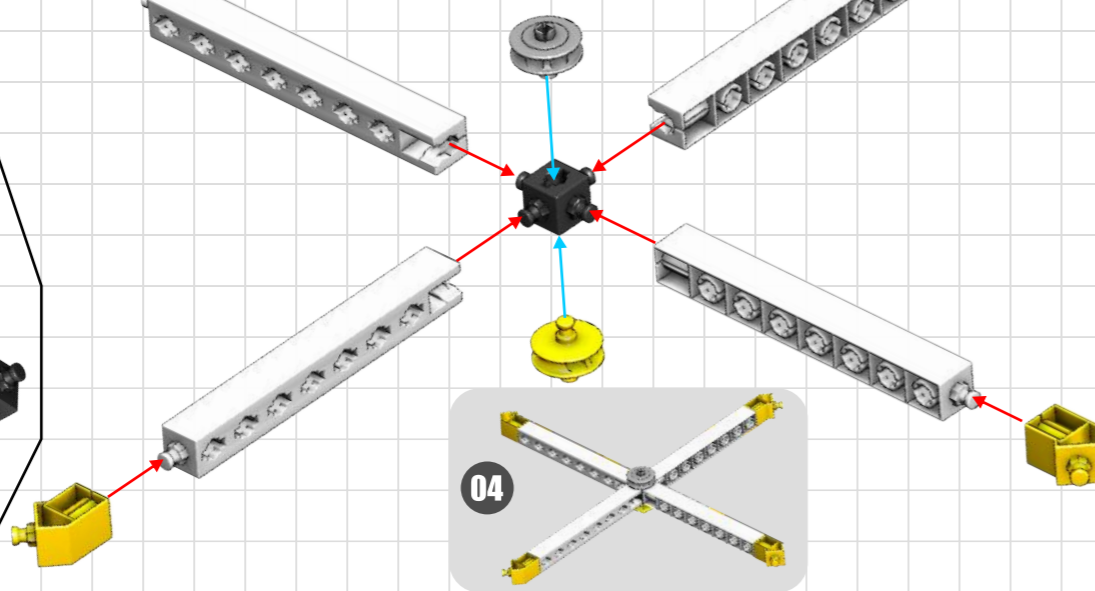
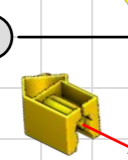
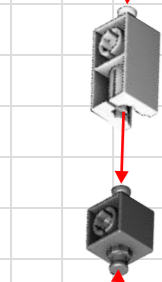
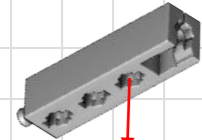
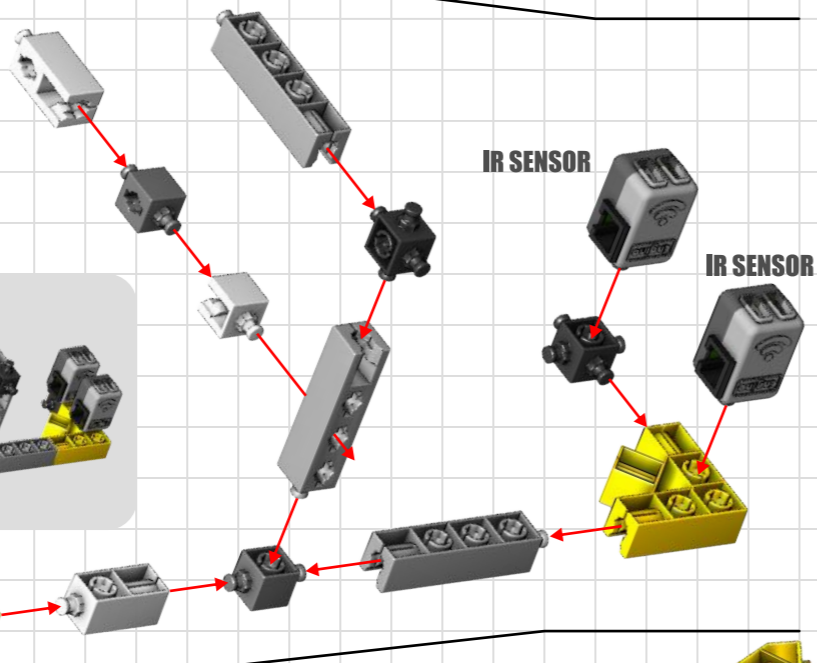
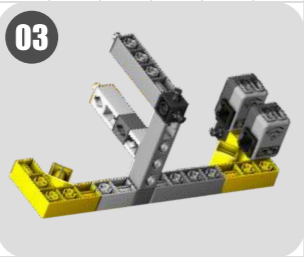
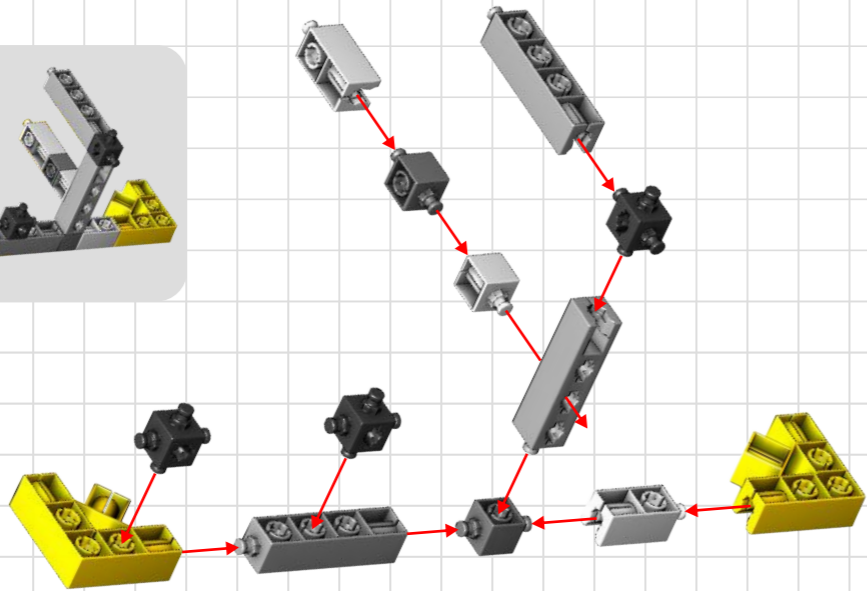
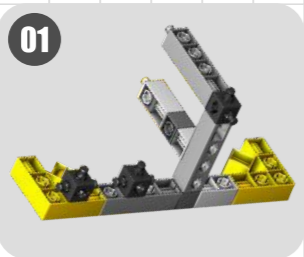
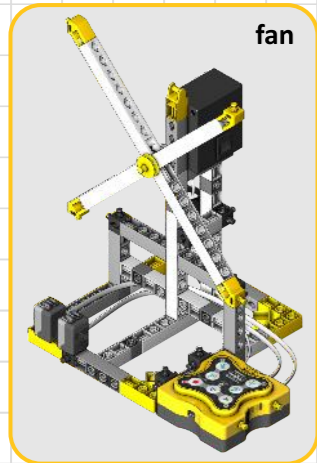
02



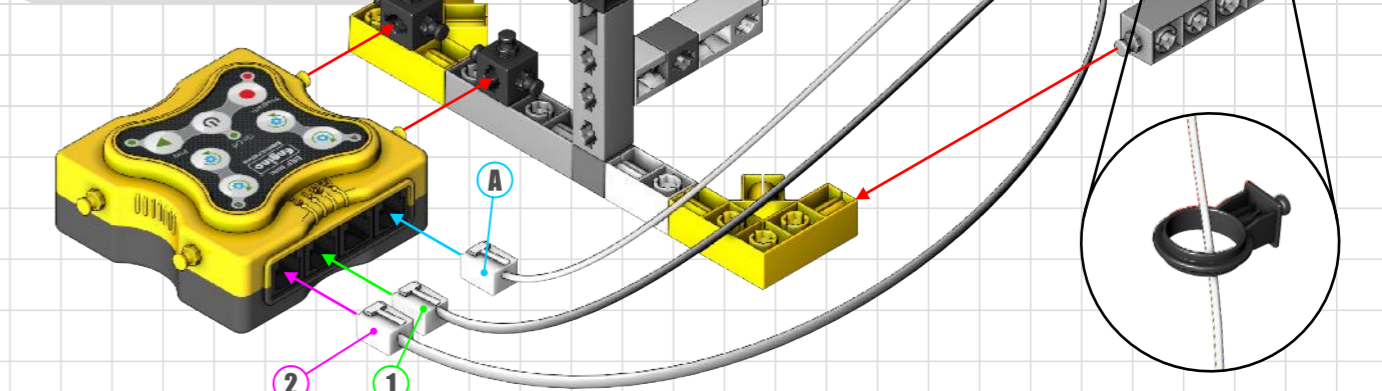
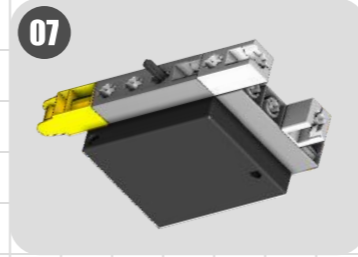
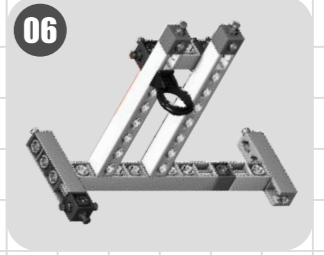
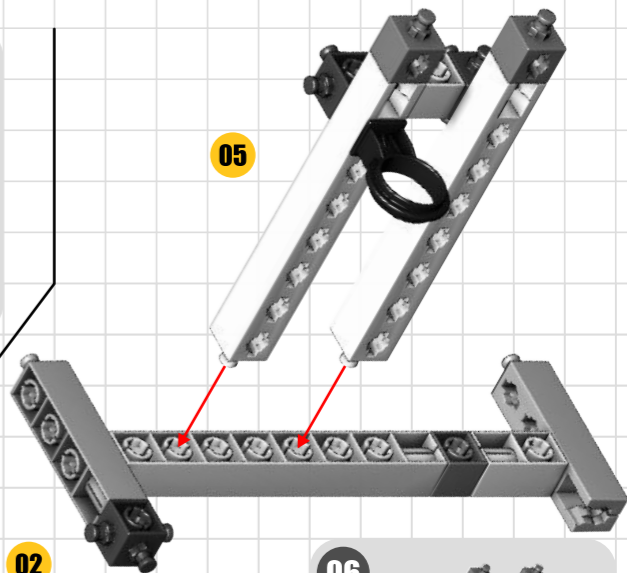
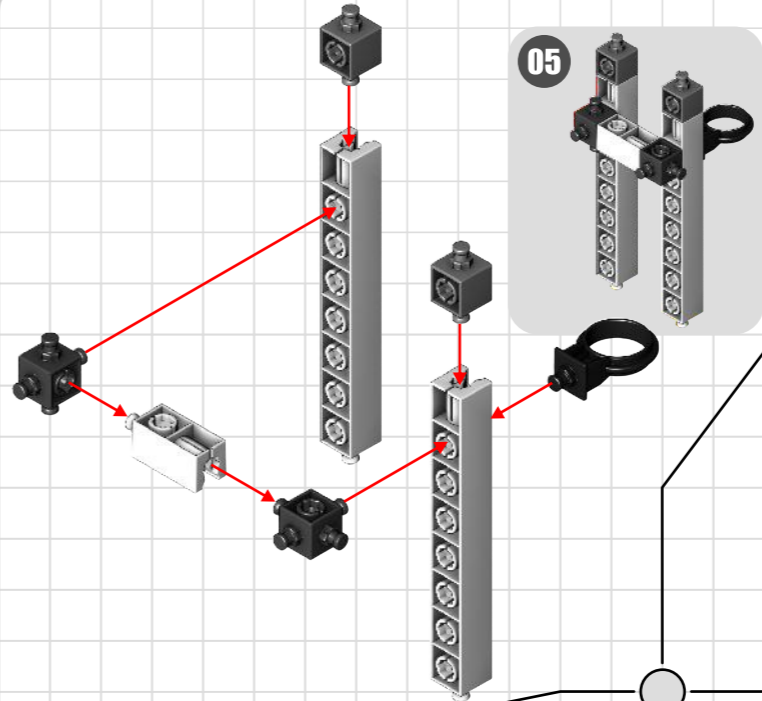






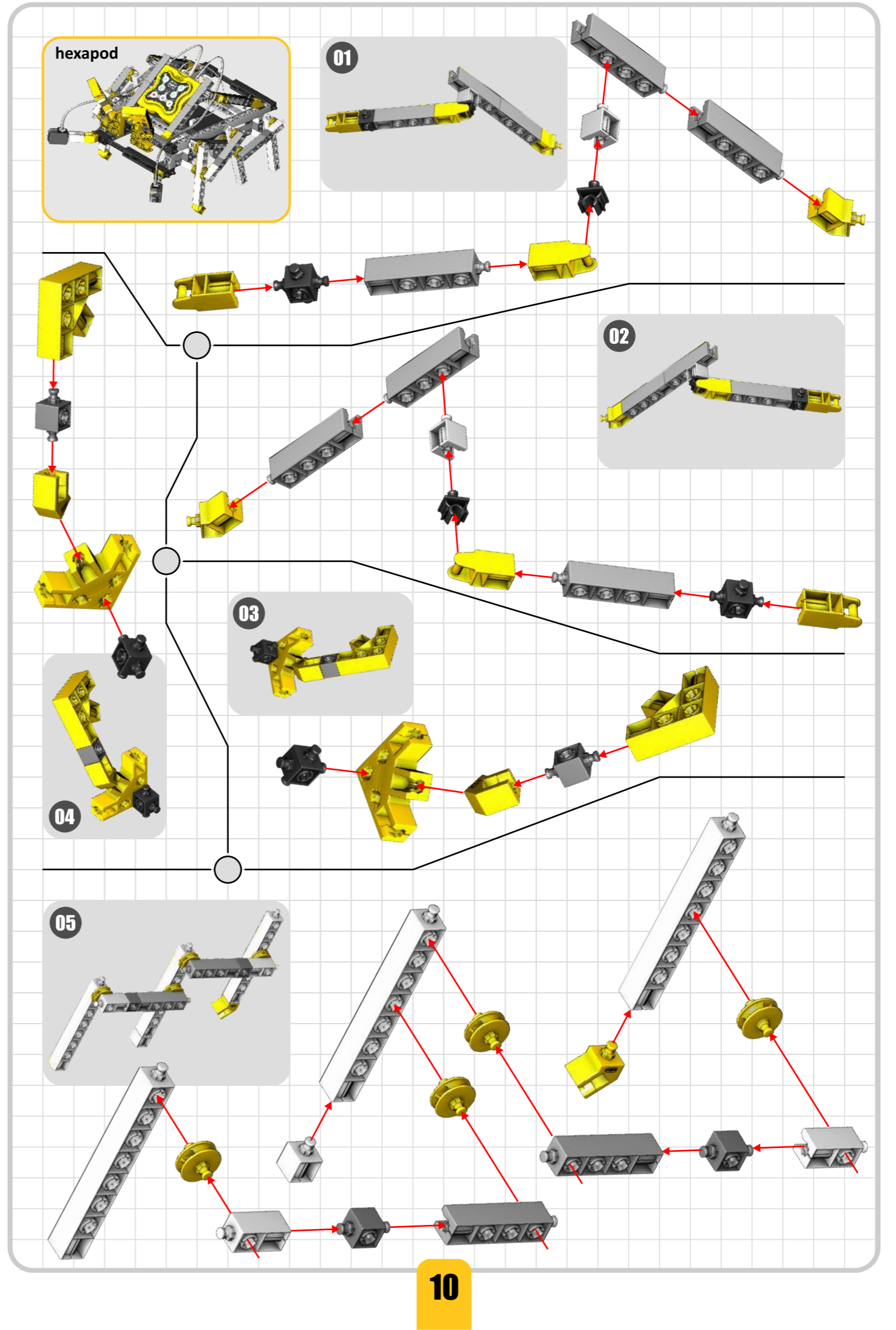
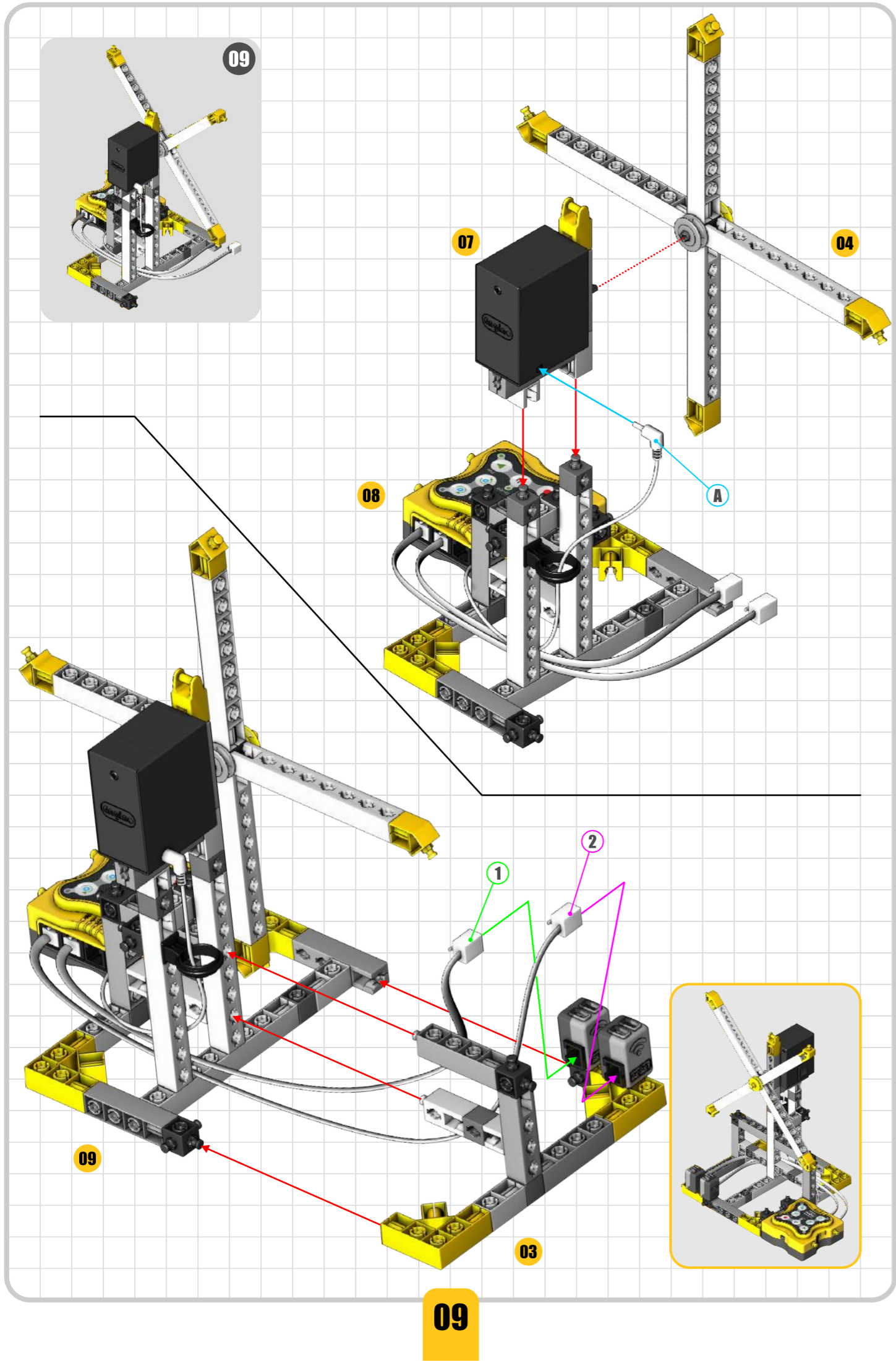


07

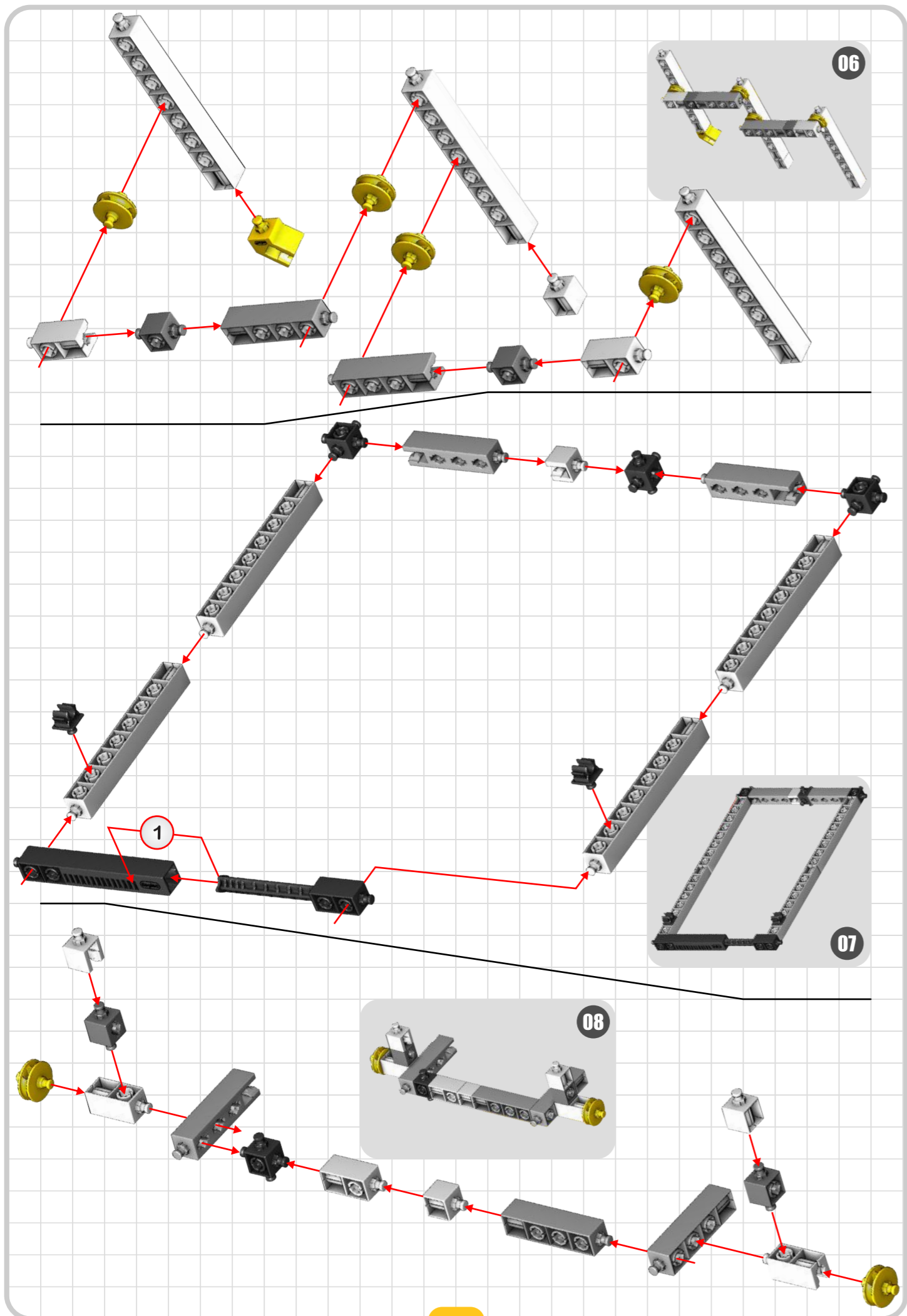


08

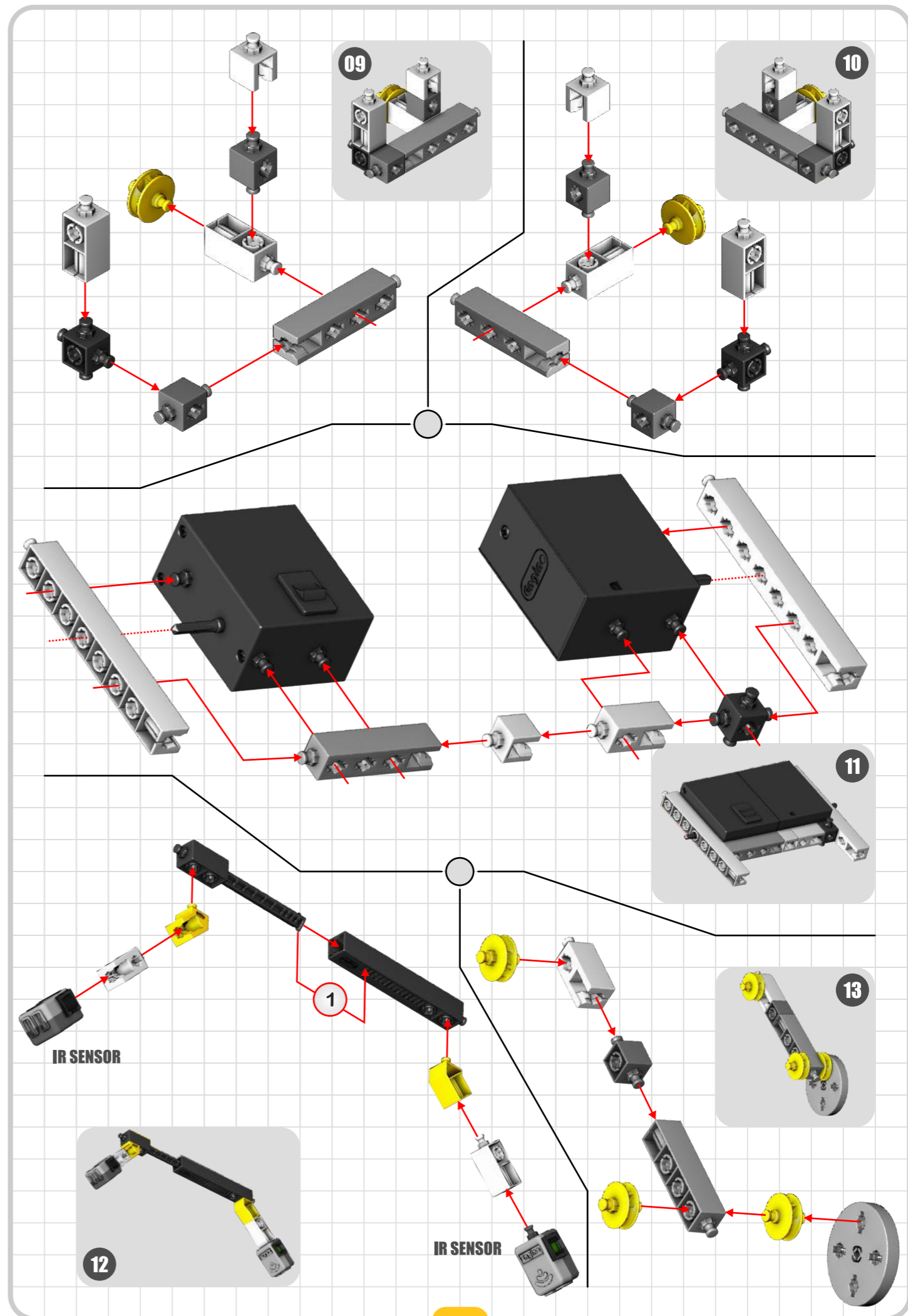






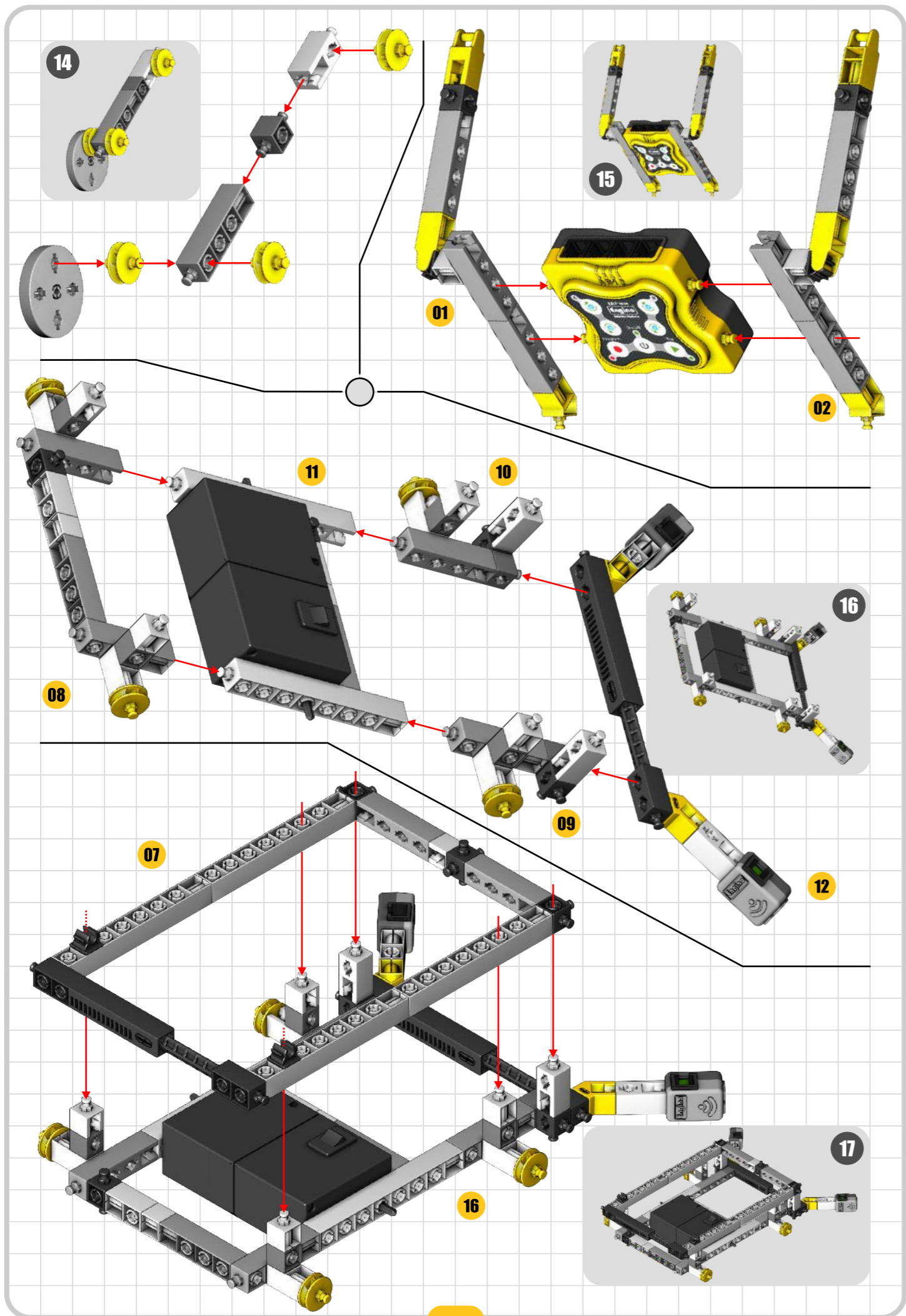


11

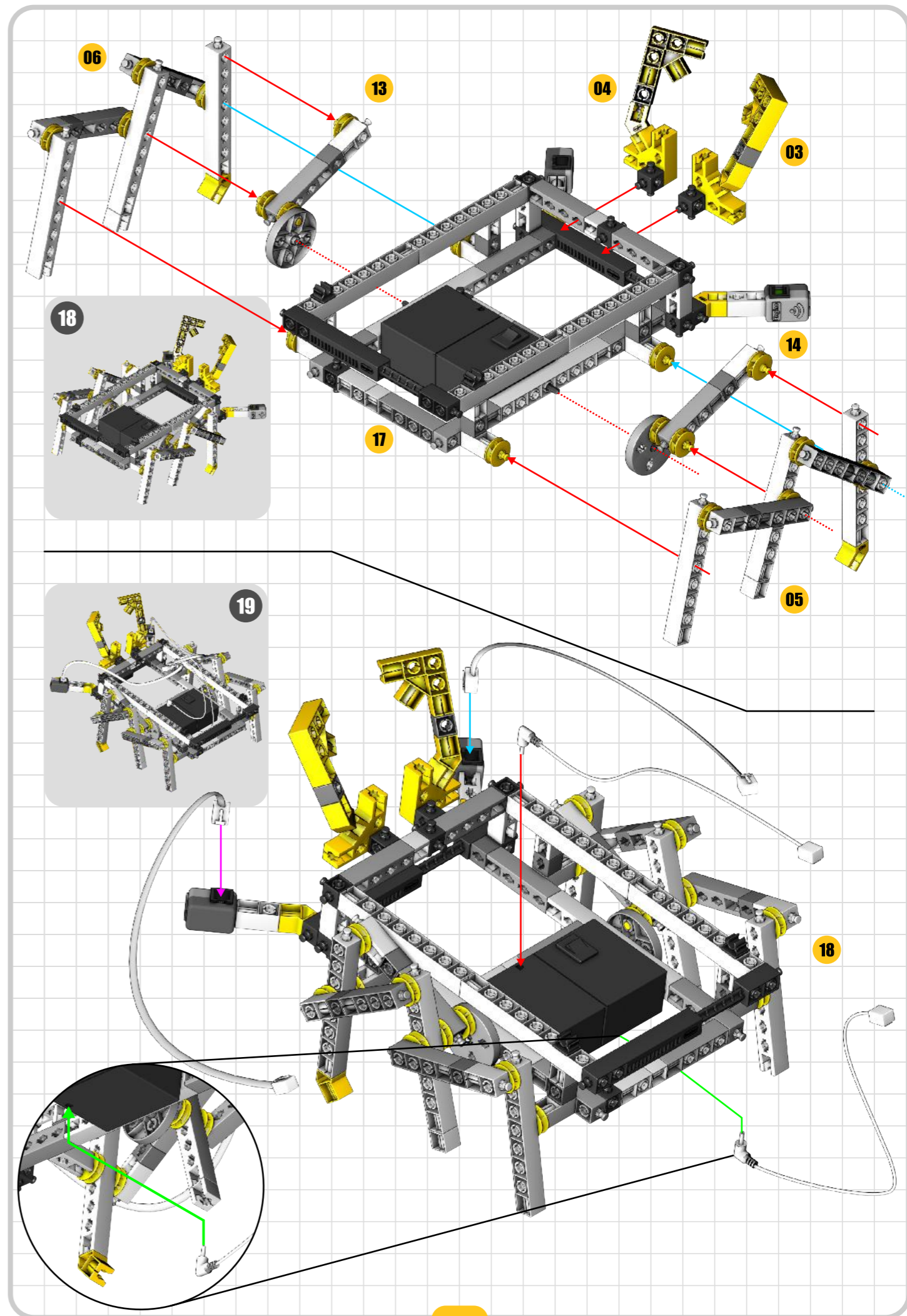


12



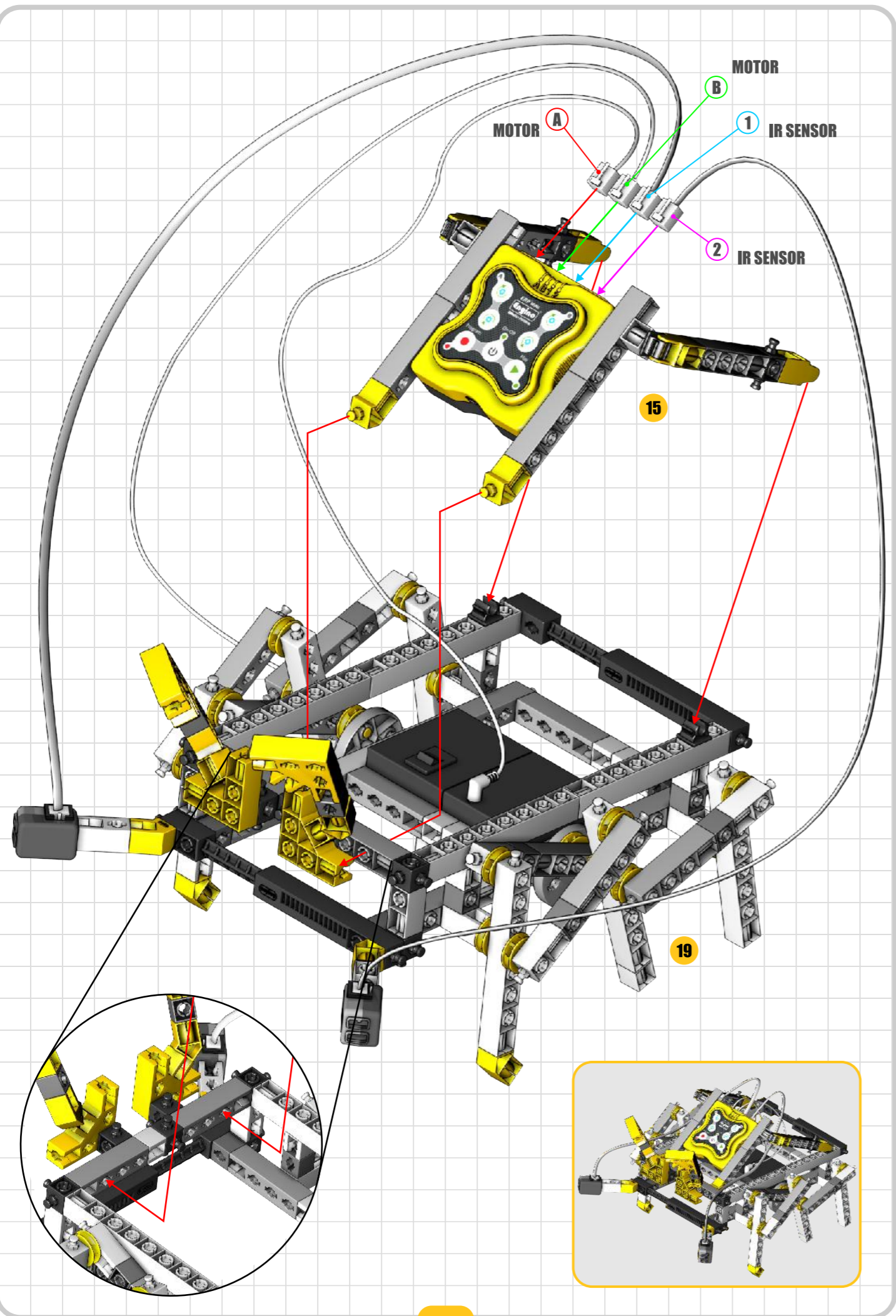


13

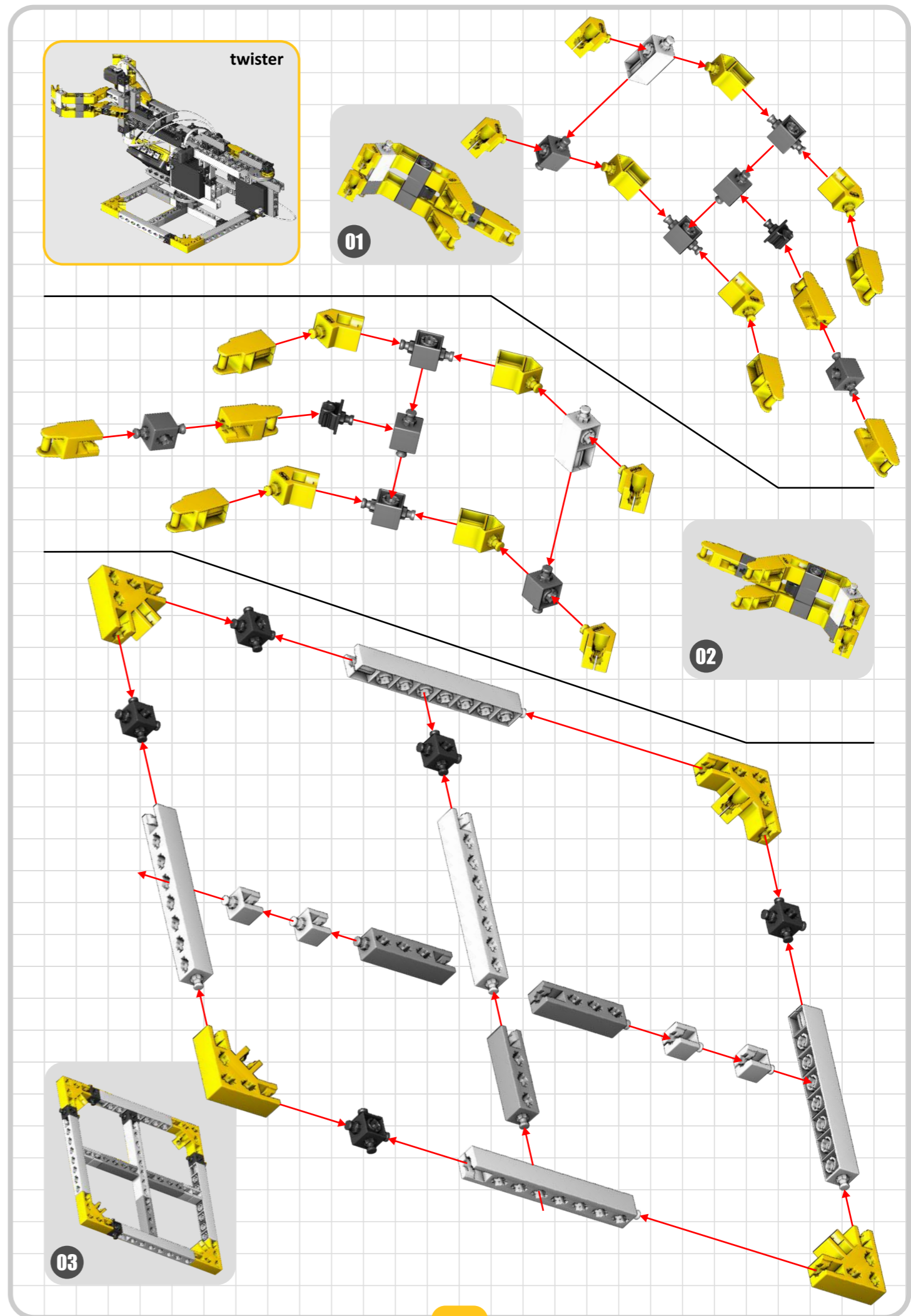


14





15



16



