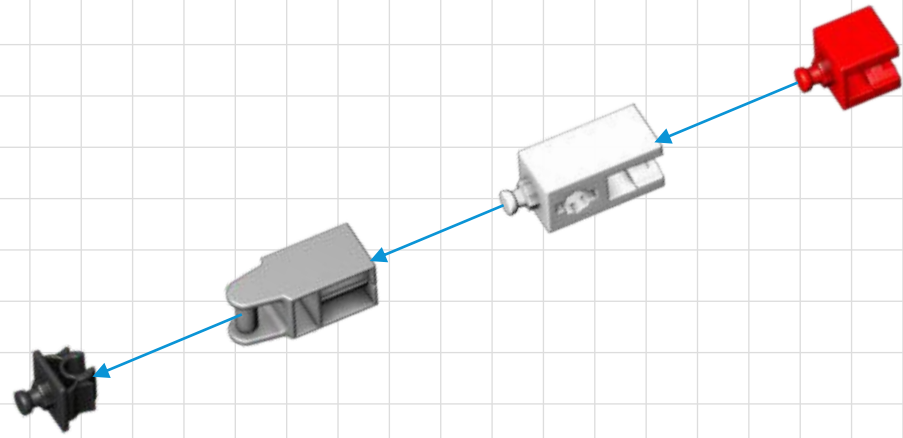
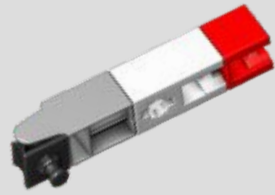
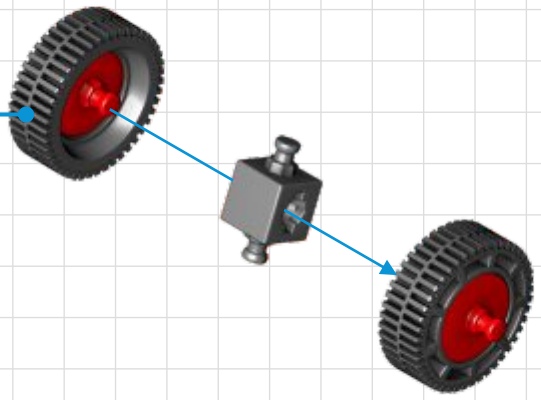
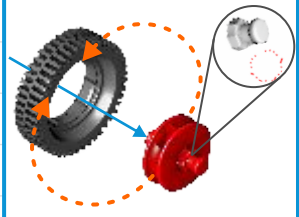


02 x2



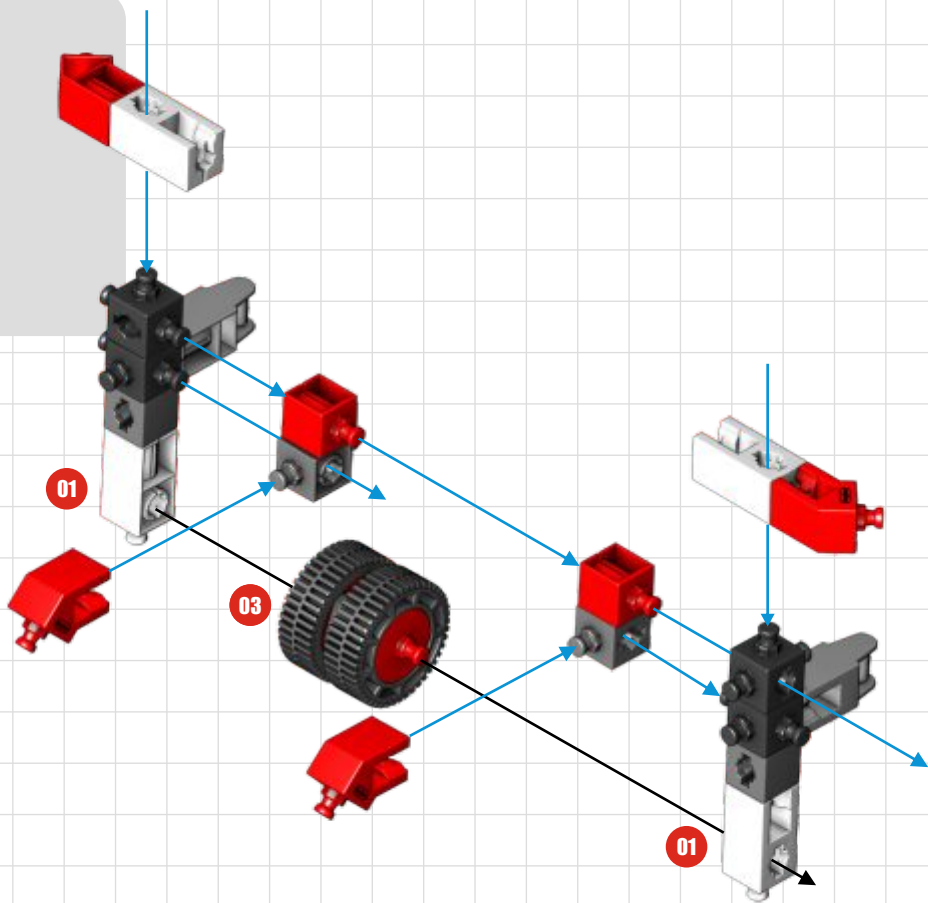
x4



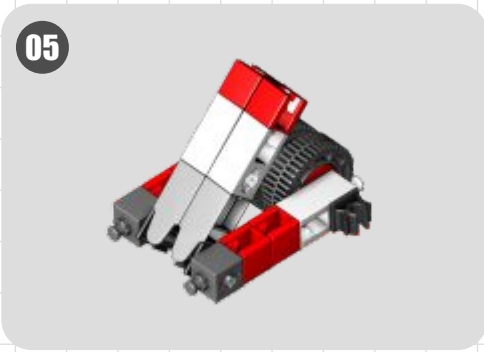
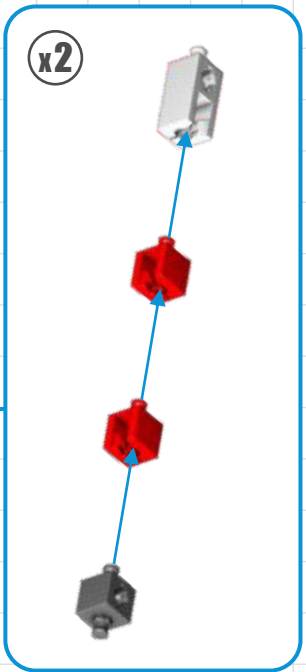
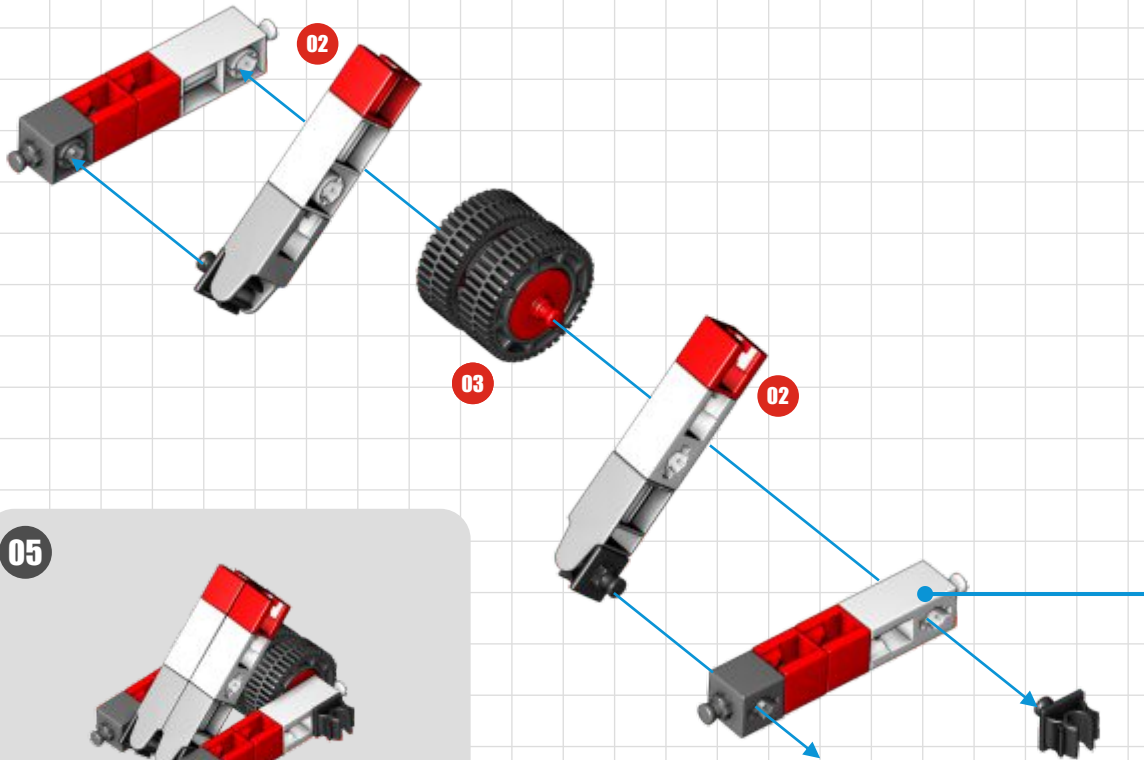
03 x2



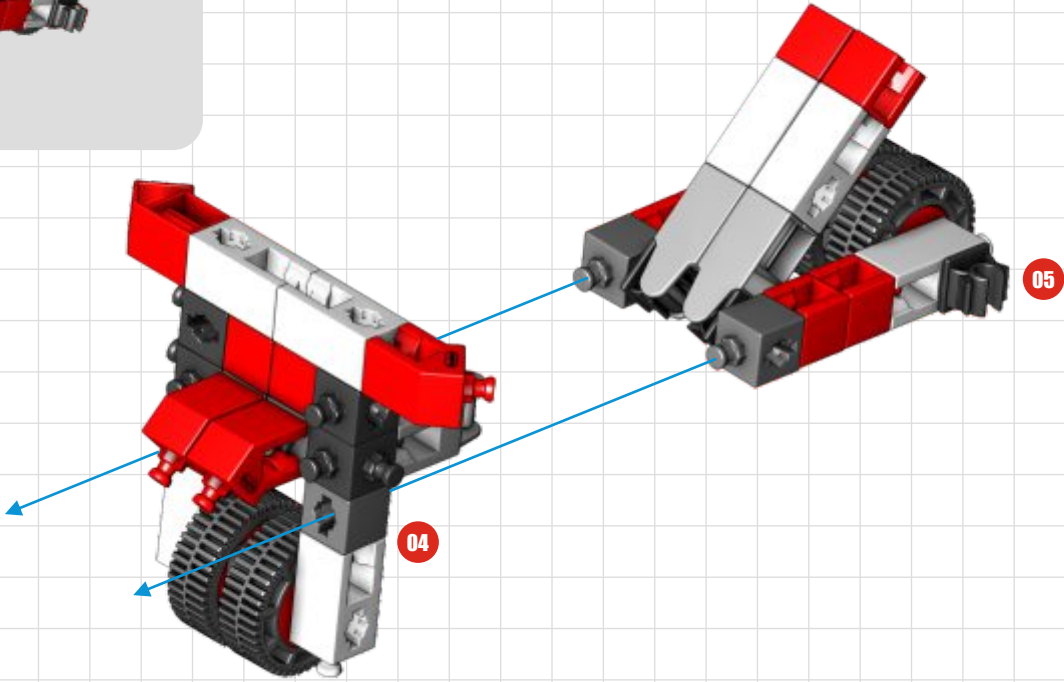
04



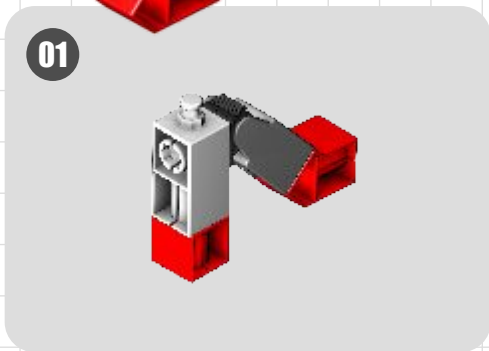
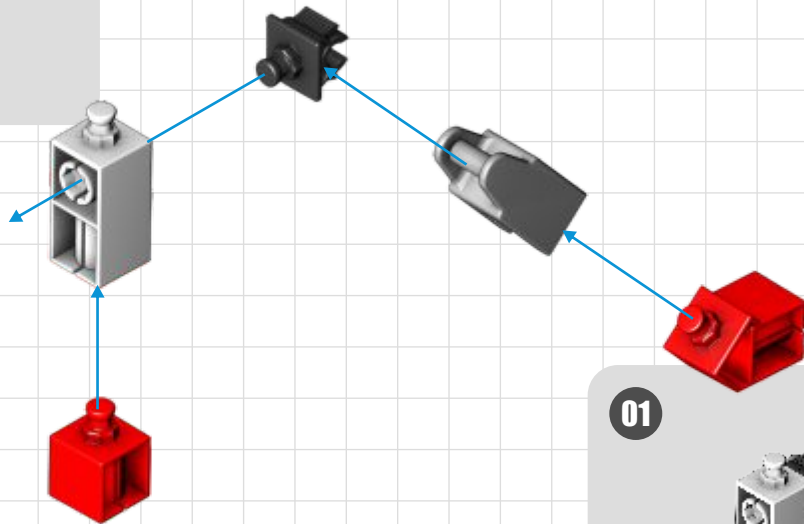
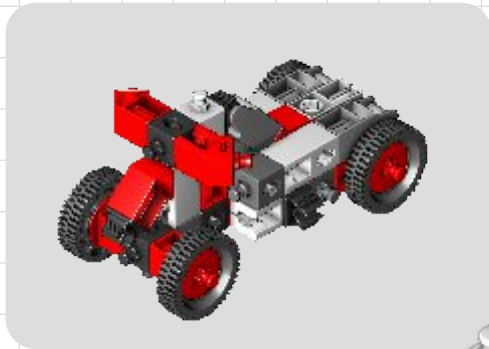
03



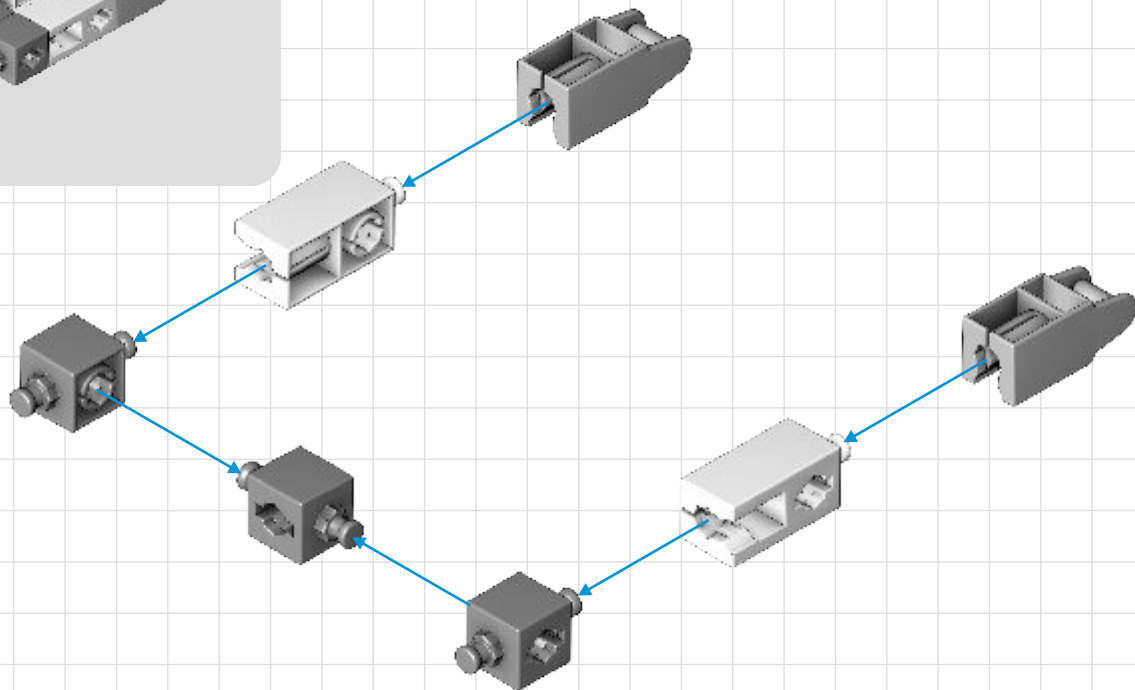
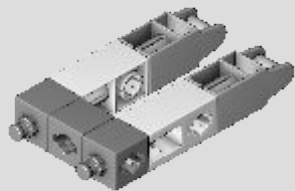
06



05

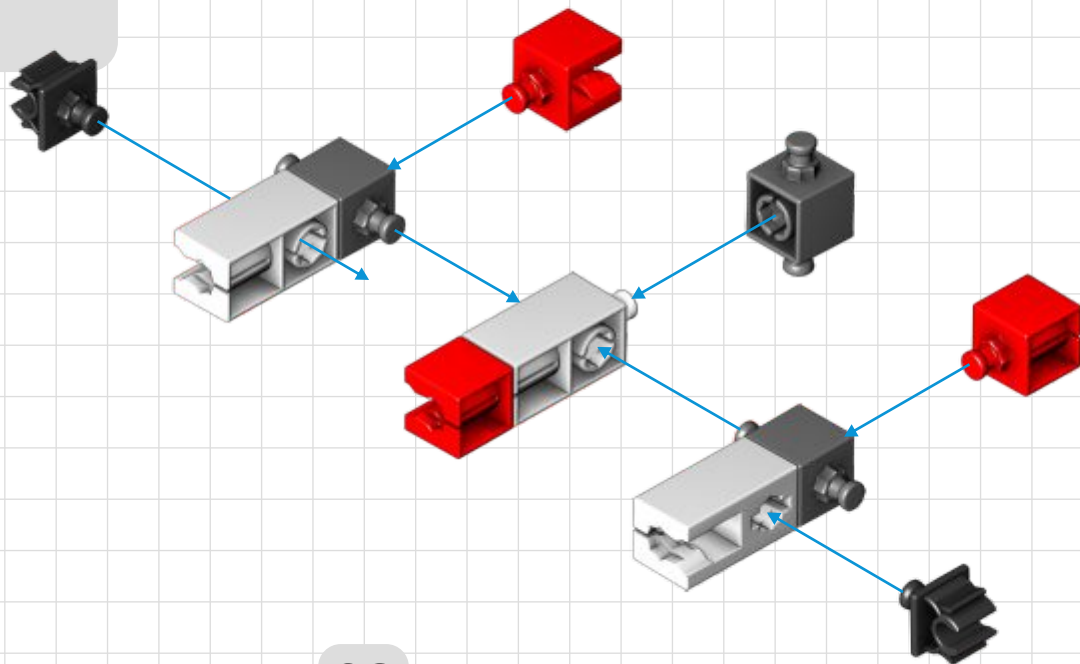
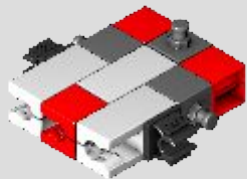


02



07

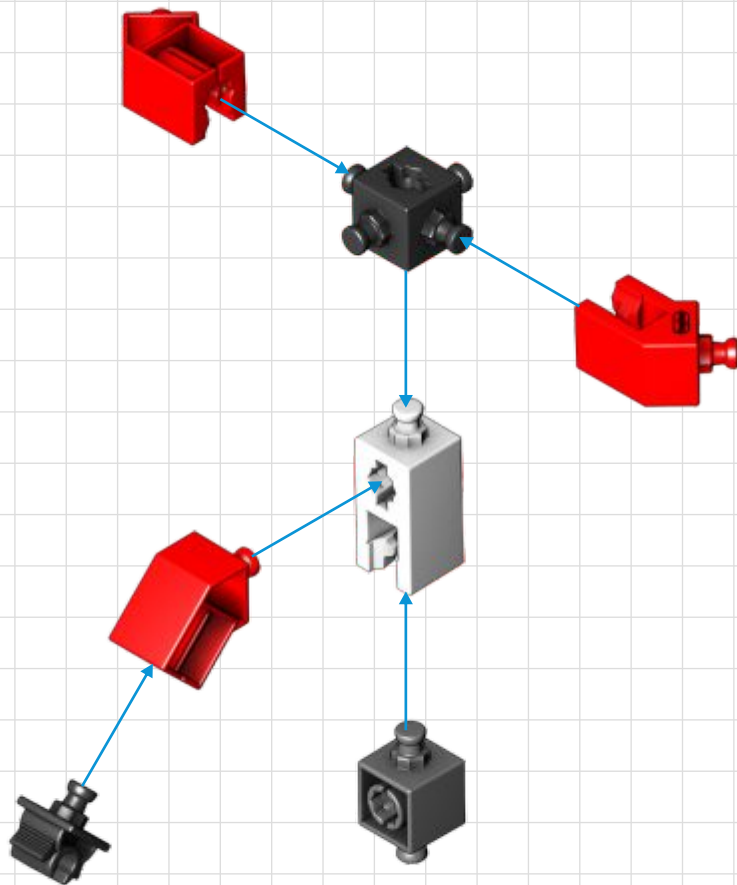
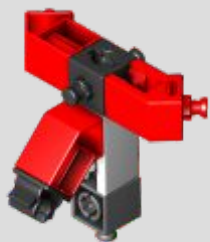
03



08

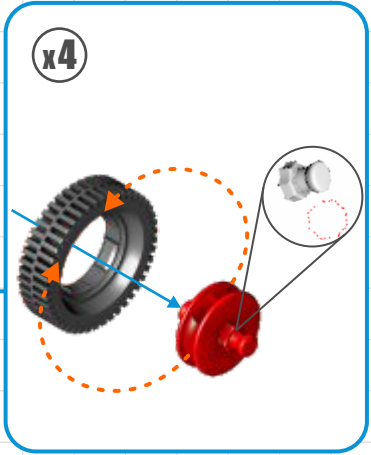
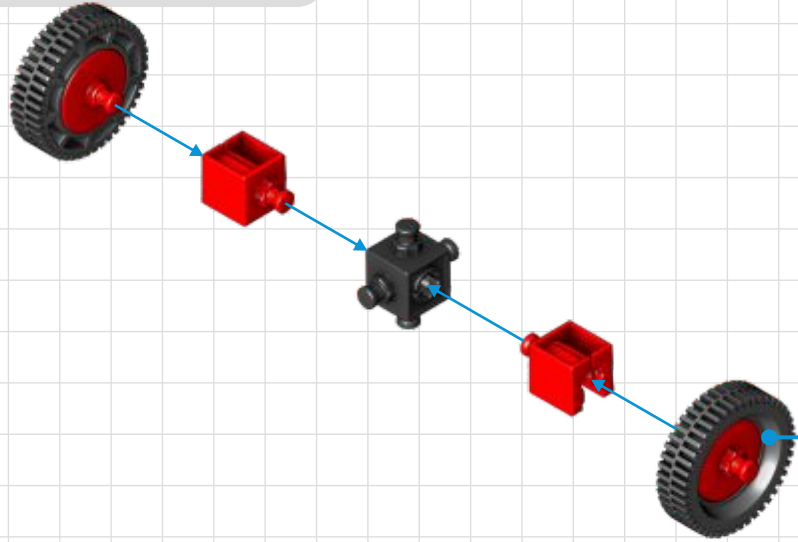


04



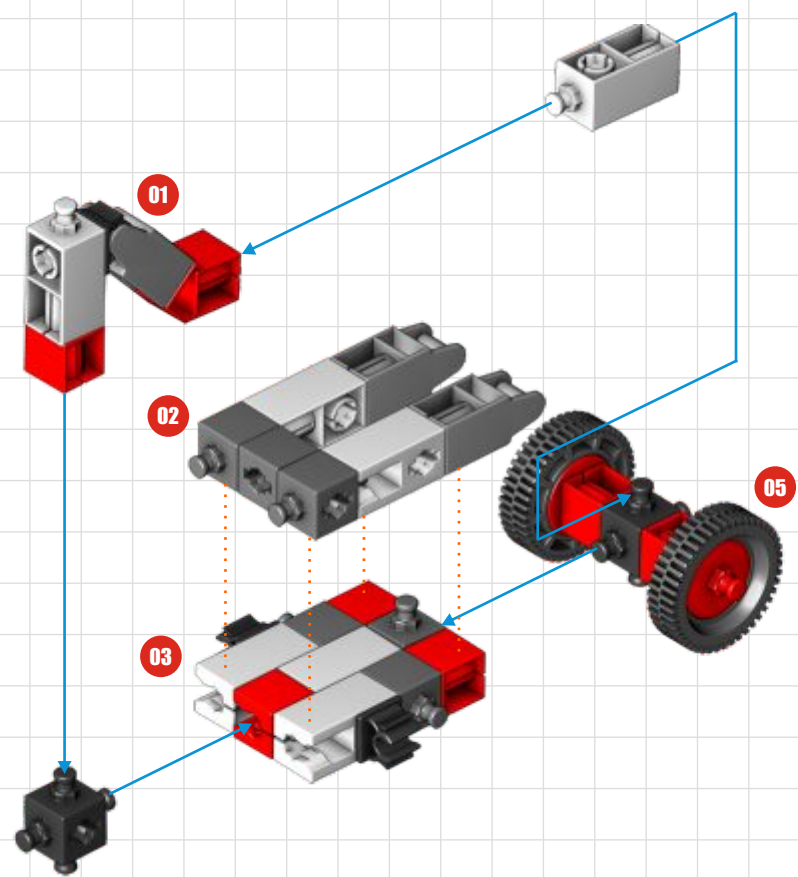
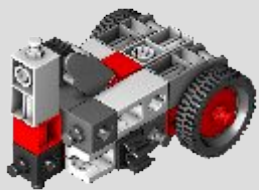
09

05 x2

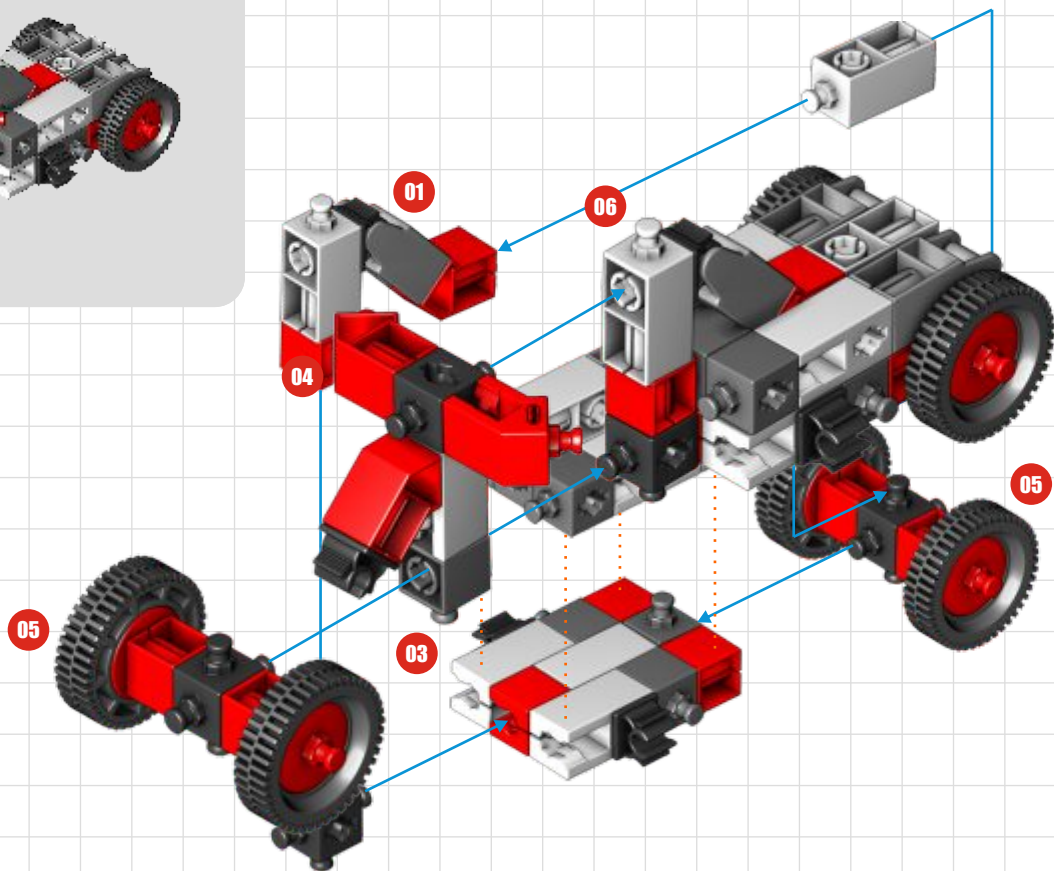
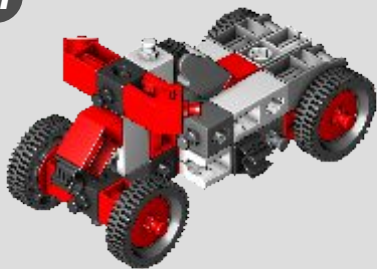


x4

06



07





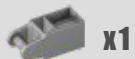
x3



x3



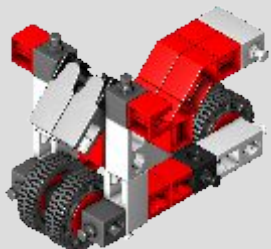
x3



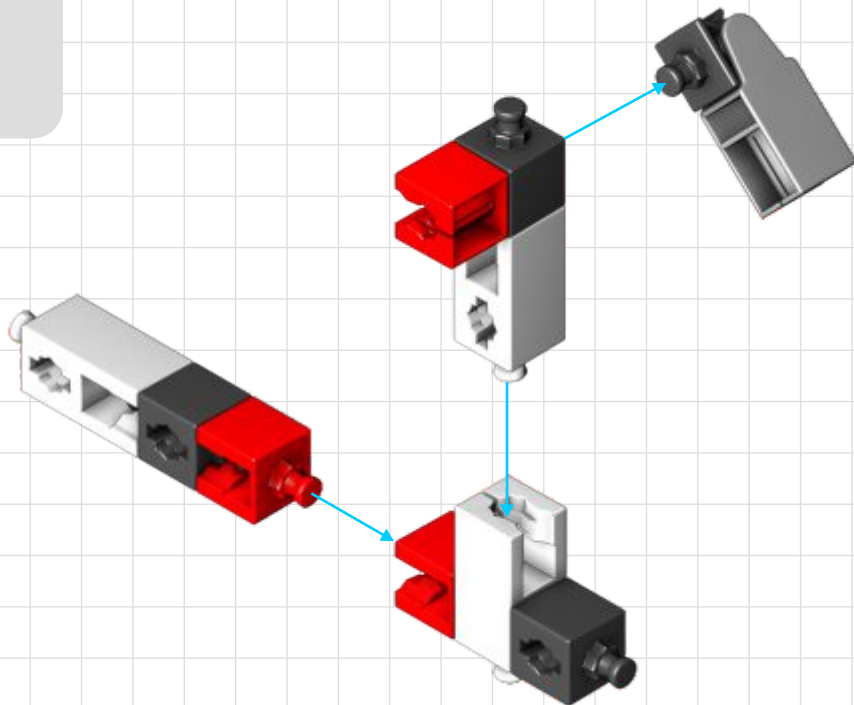
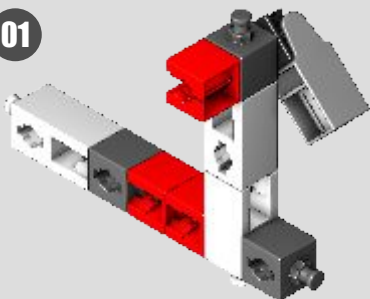
x1



x1



01





x3



x3



x1



x1

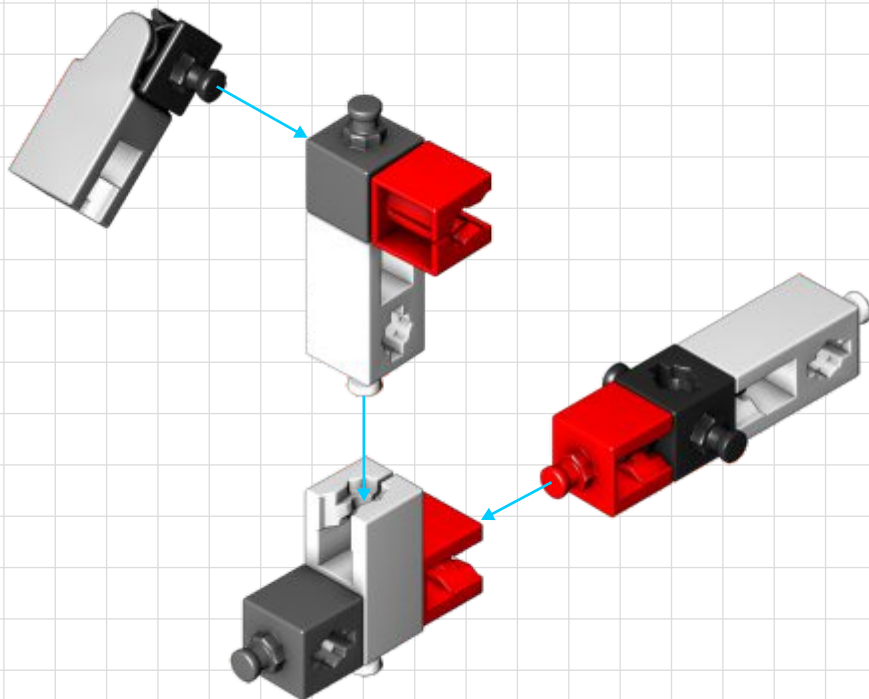
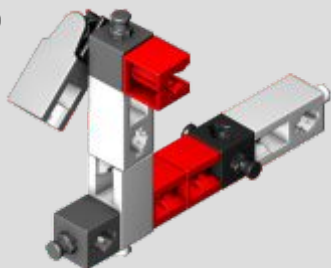


x2



x1

02





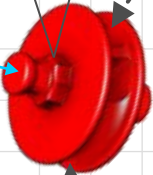
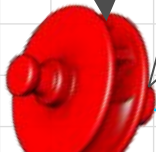
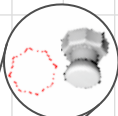
x4



x2



x4



03



x2



x1



x1



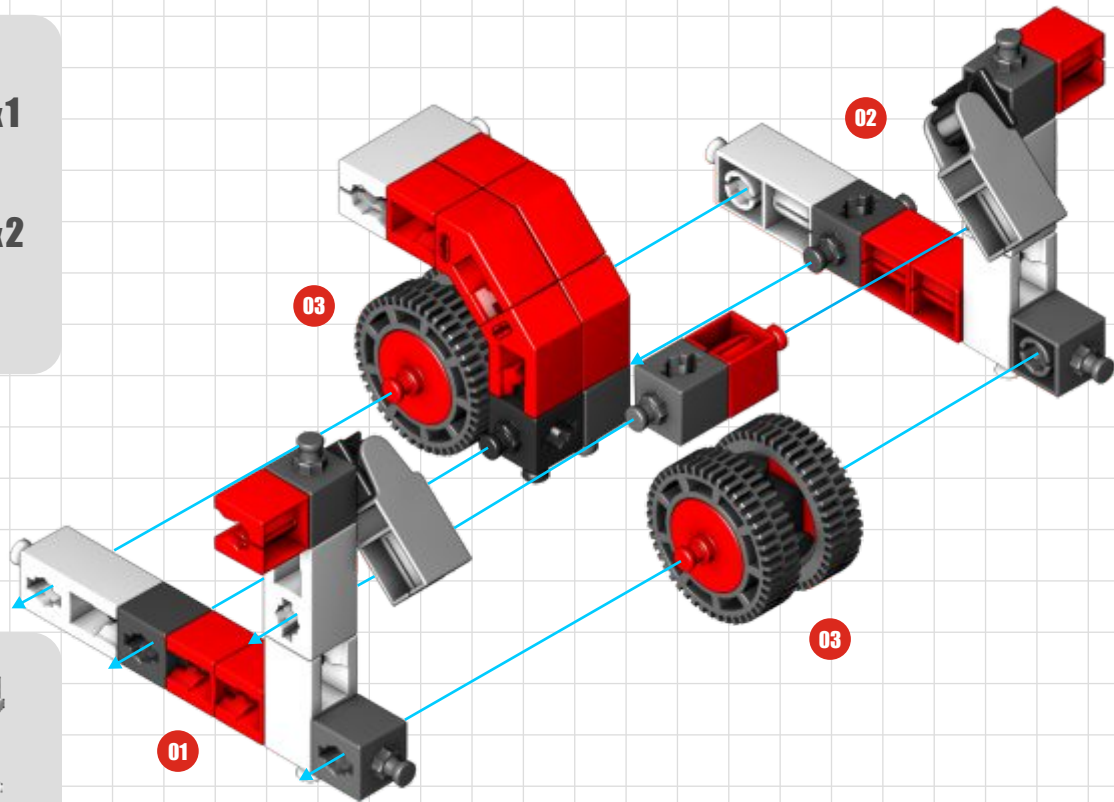
x4



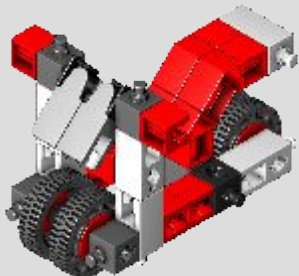
x2



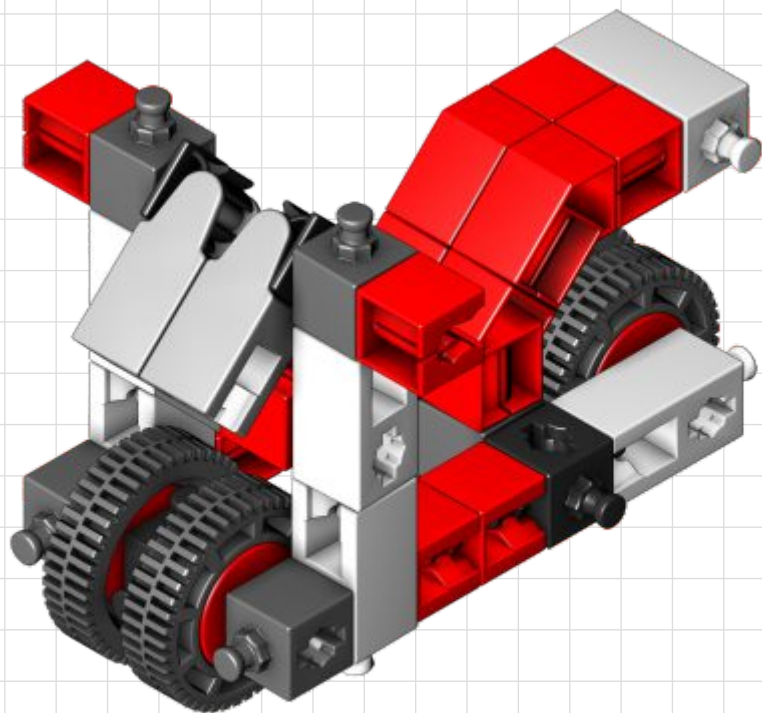
x3



04









x4



x2



x5



x4



x4



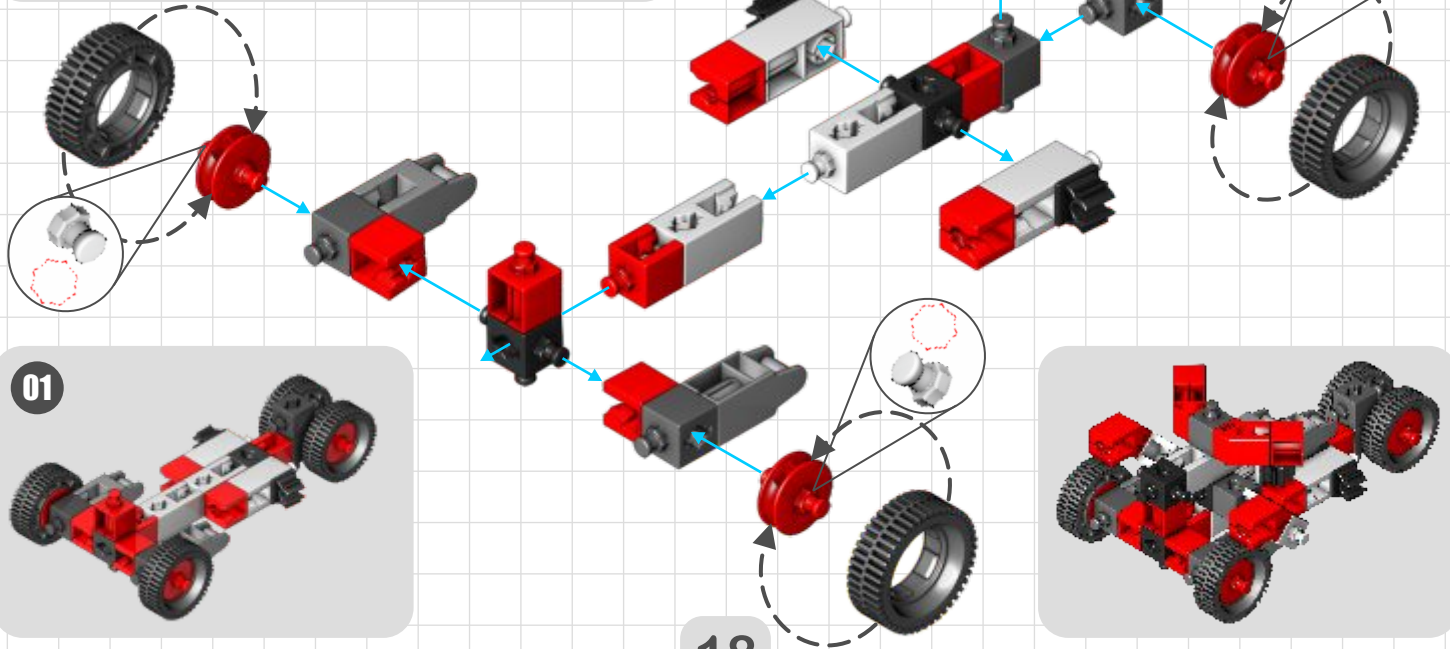
x2



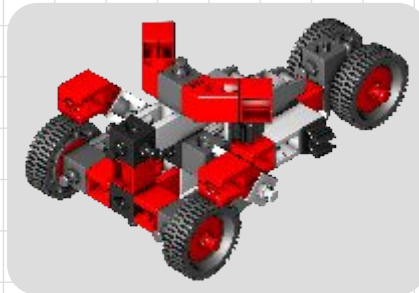
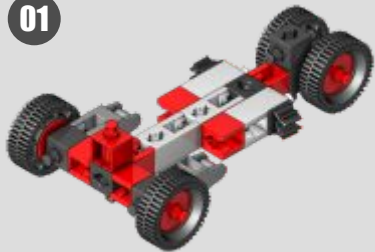
x7



x2



01





x3



x1



x2



x2

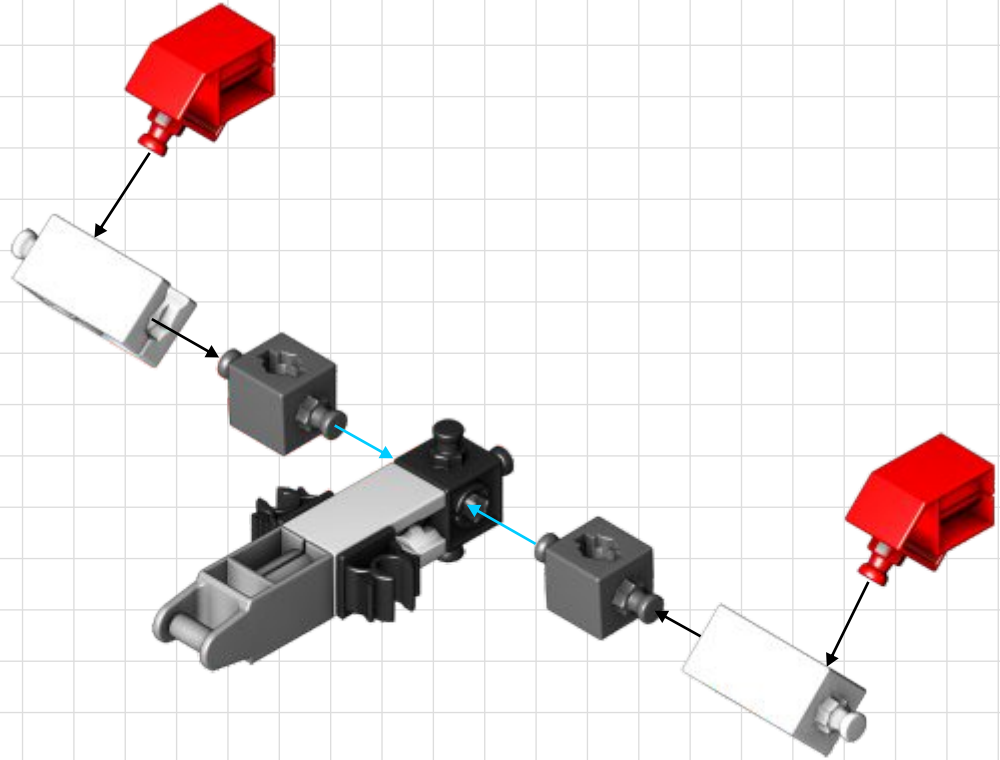
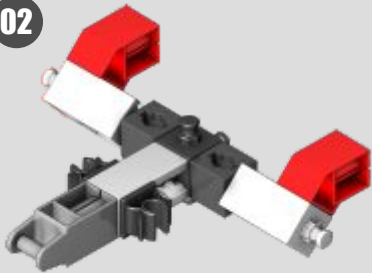


x1



x2

02





x2



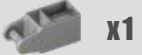
x1



x1



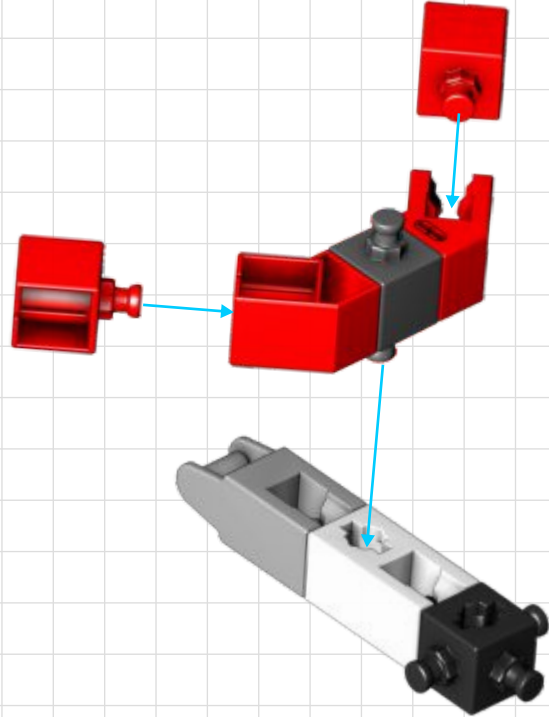
x2



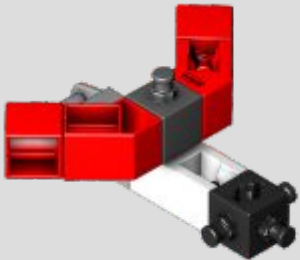
x1

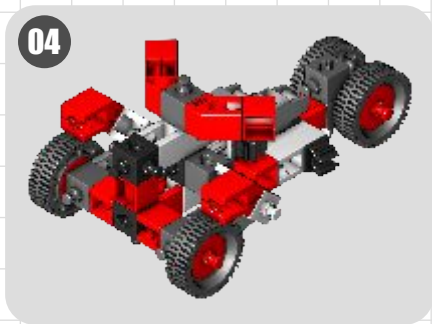
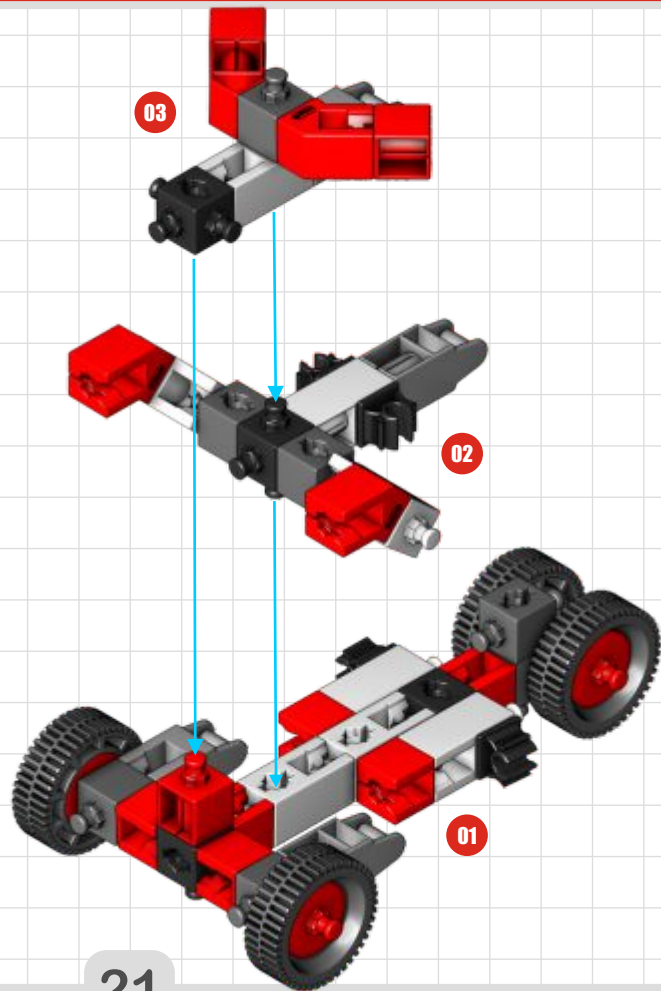


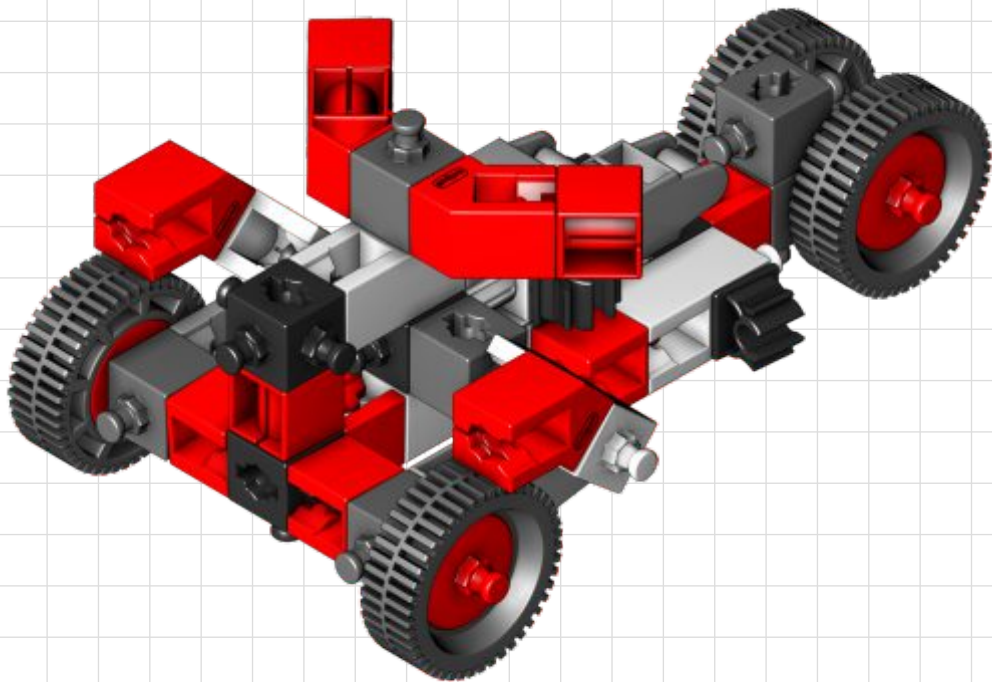
x1

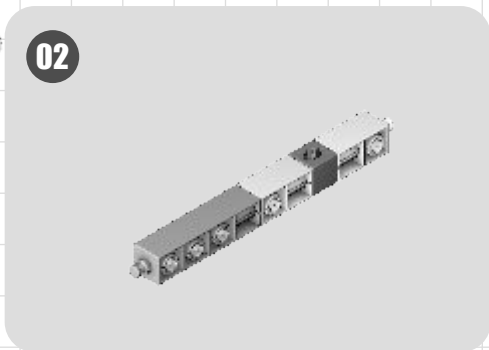
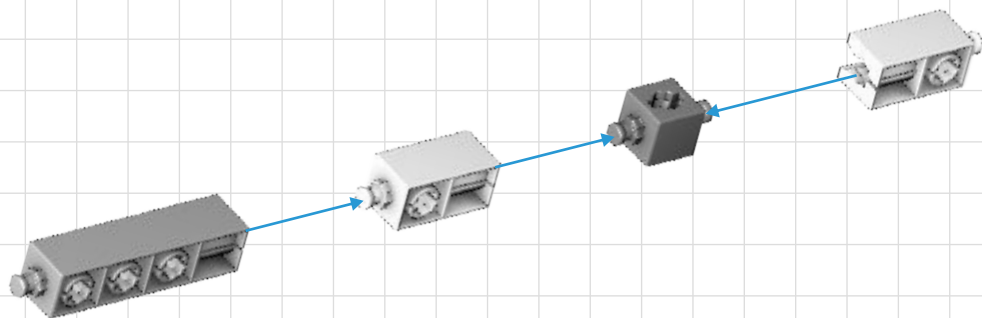
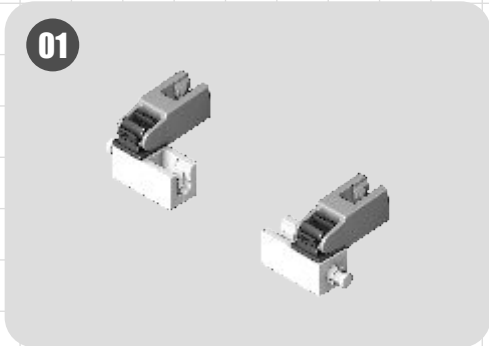
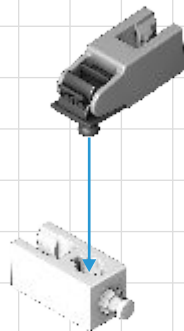
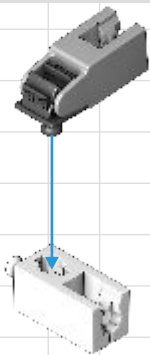
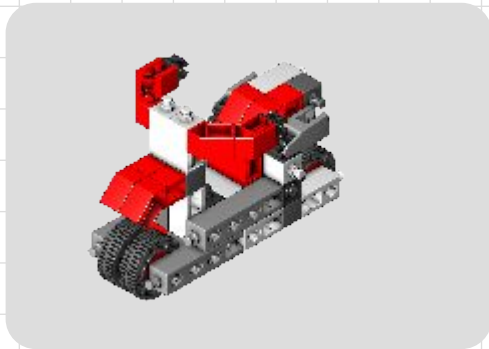


03

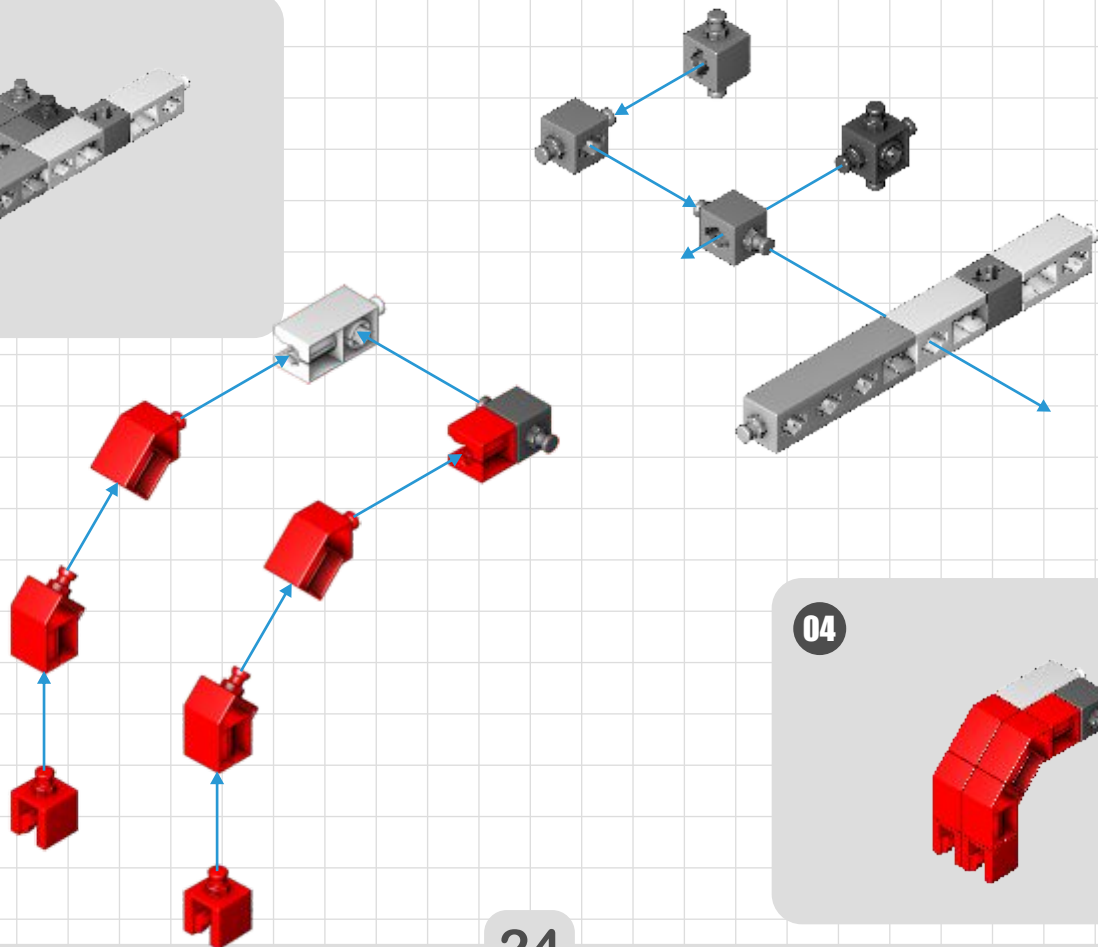
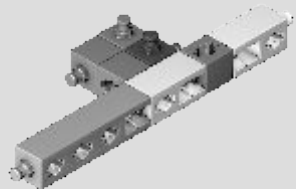




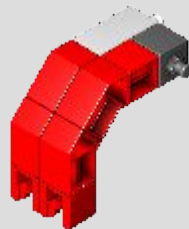




03

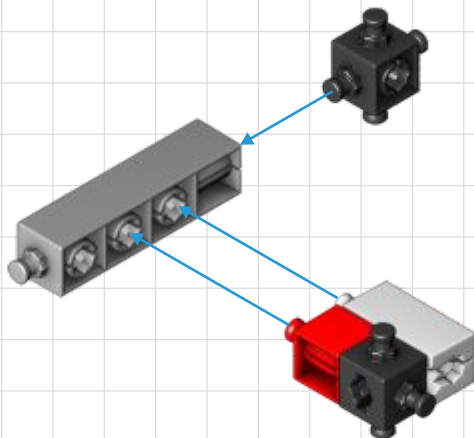
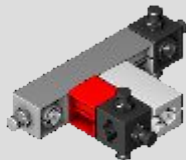


04

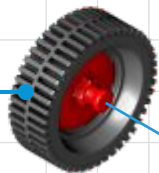
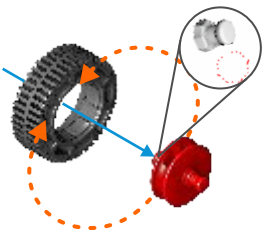




05



x4

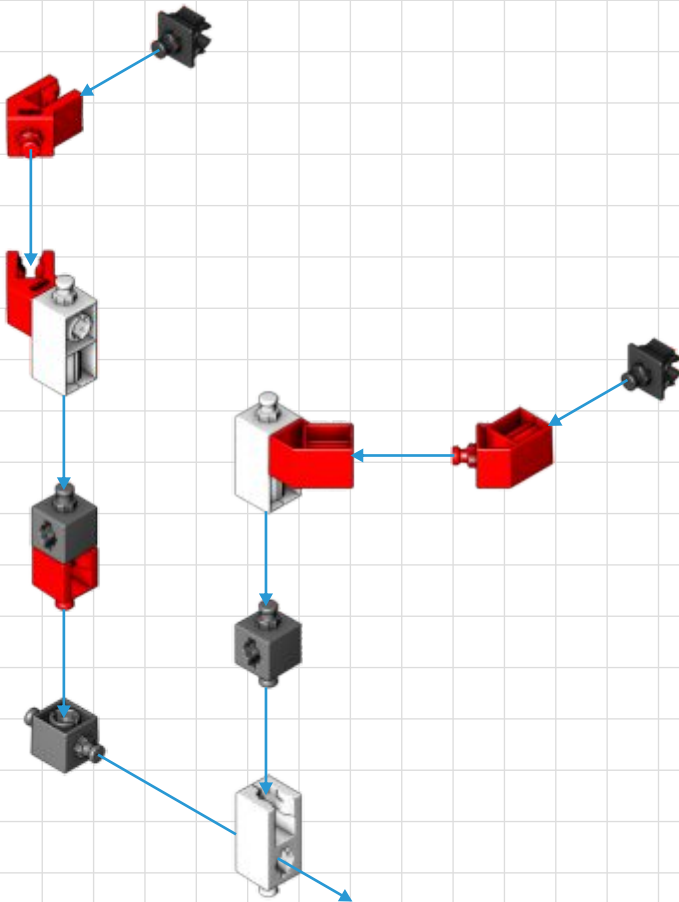
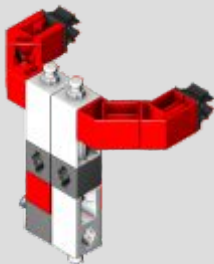


06

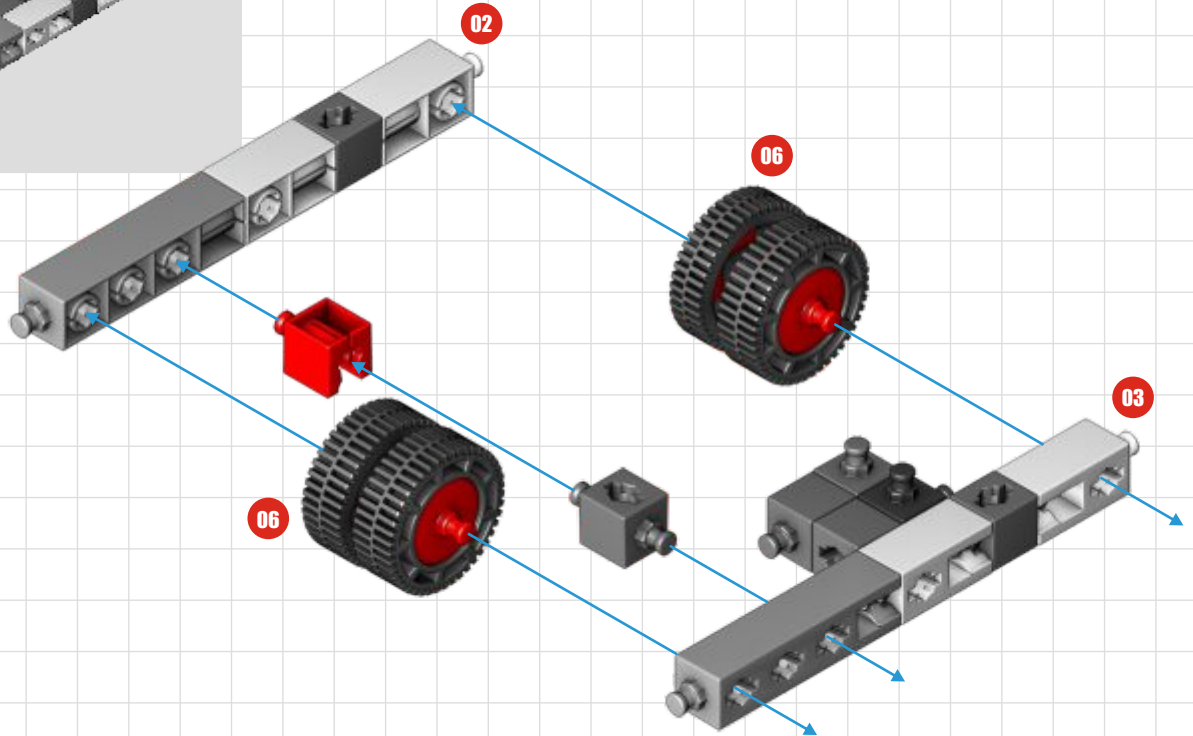
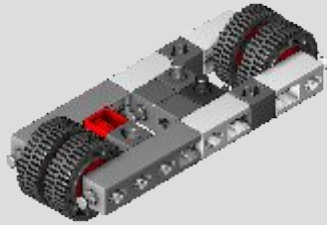
x2



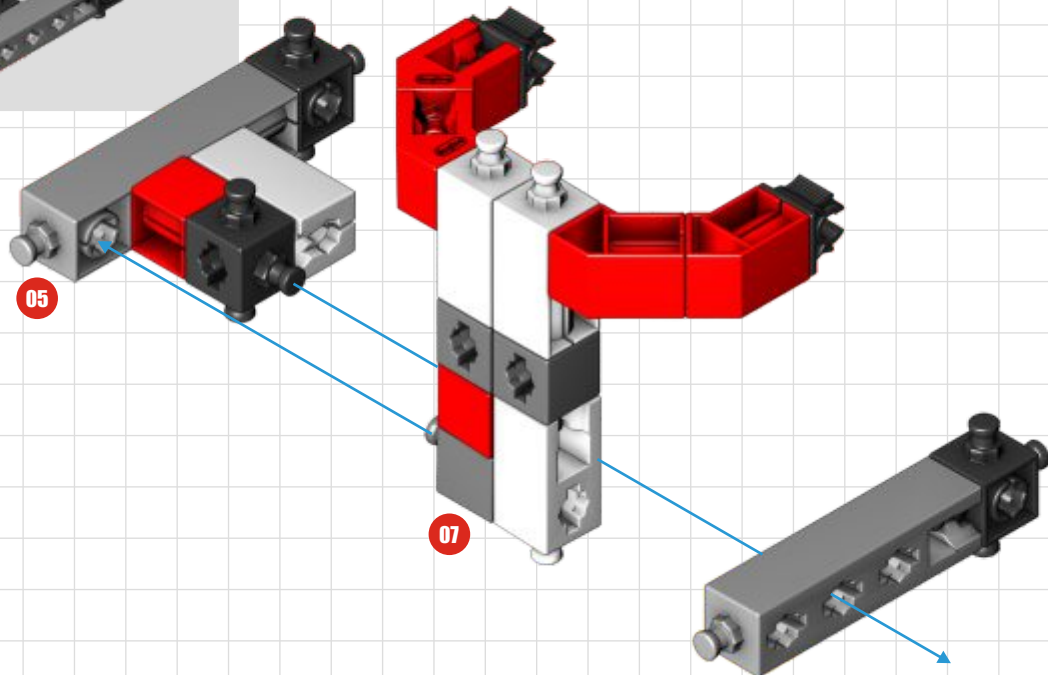
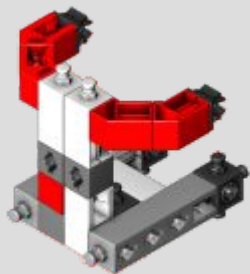
07



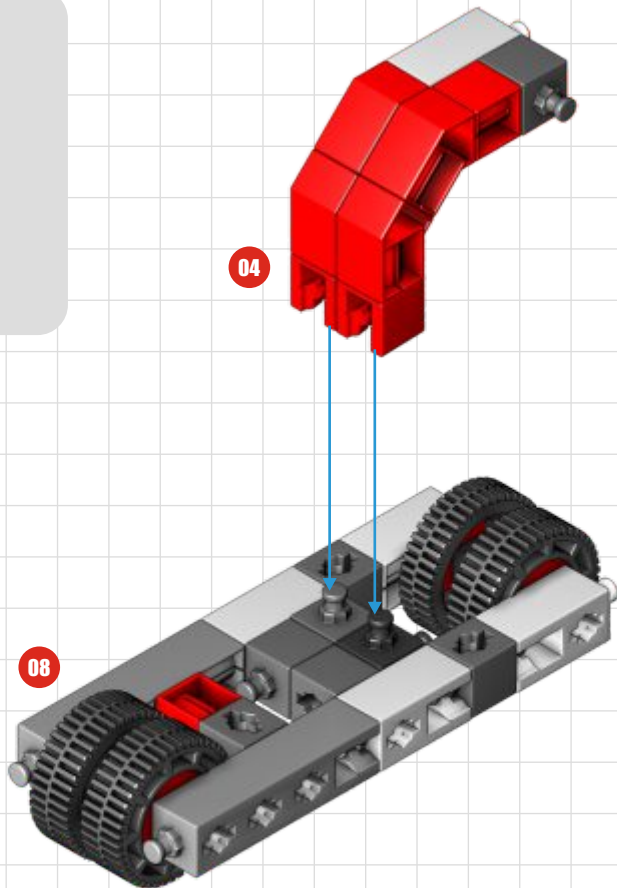
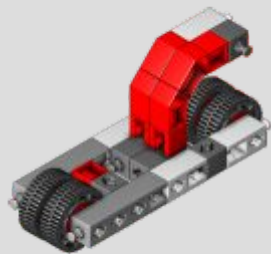
08



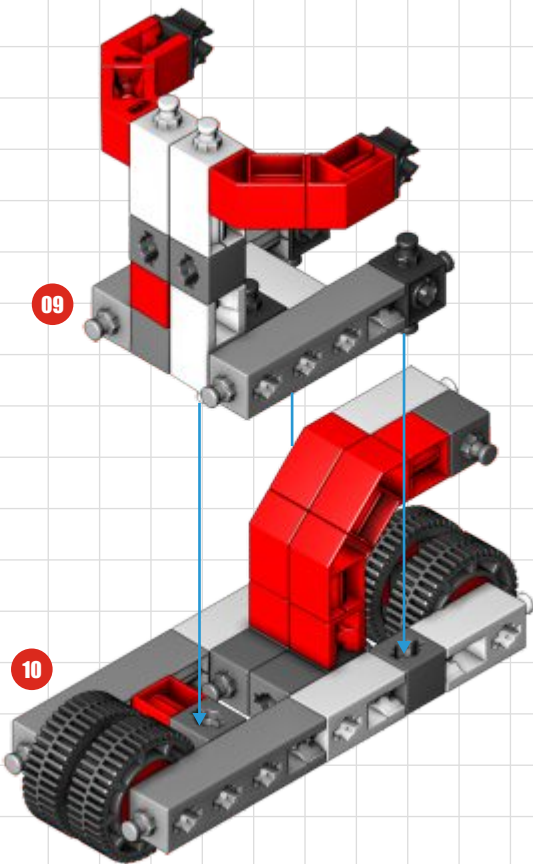
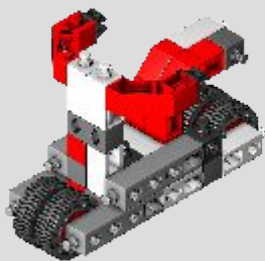
09



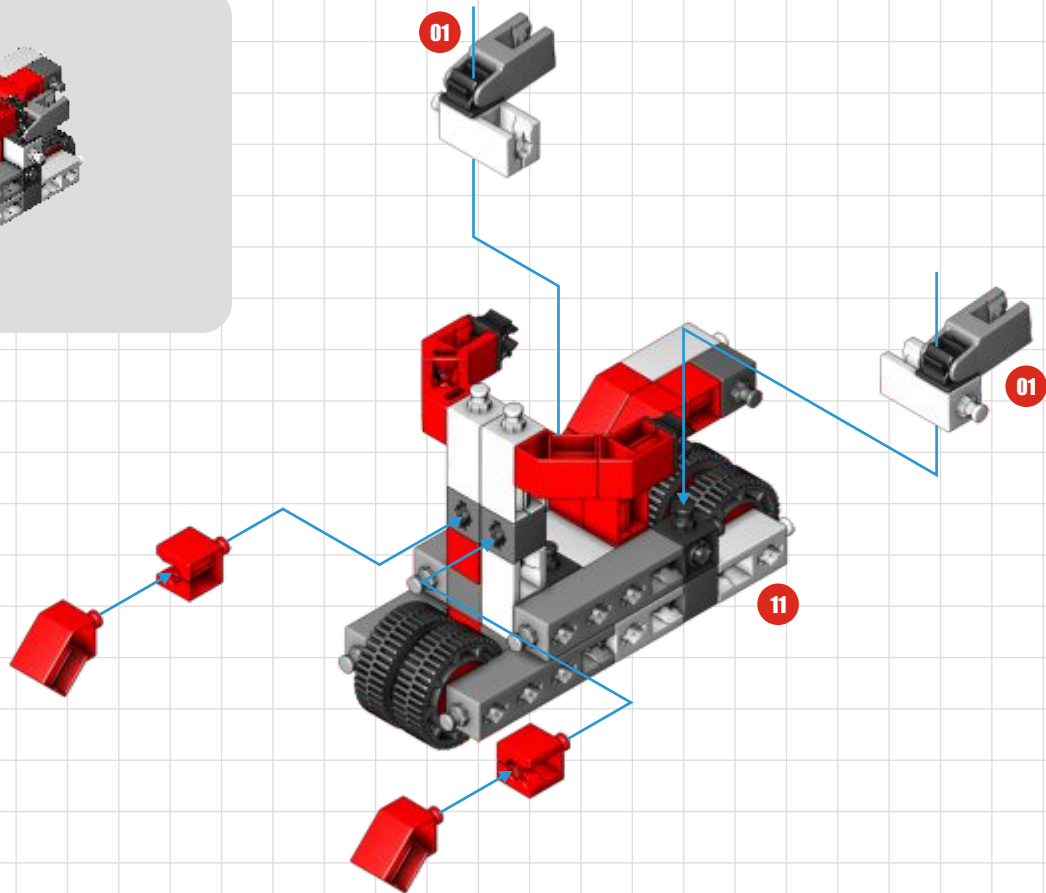
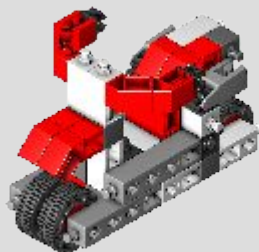
10



11



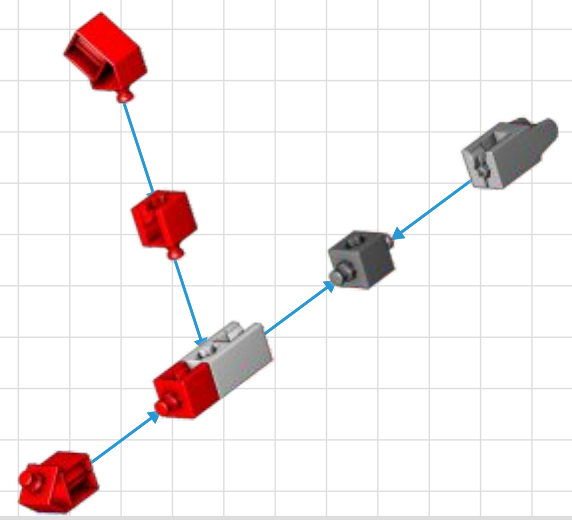
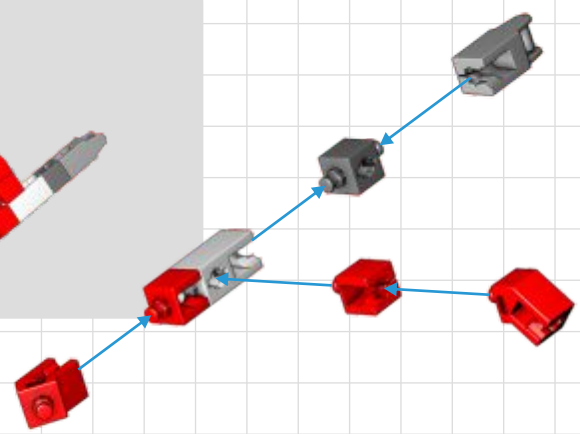
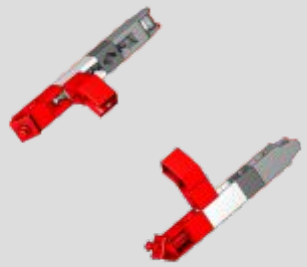
12



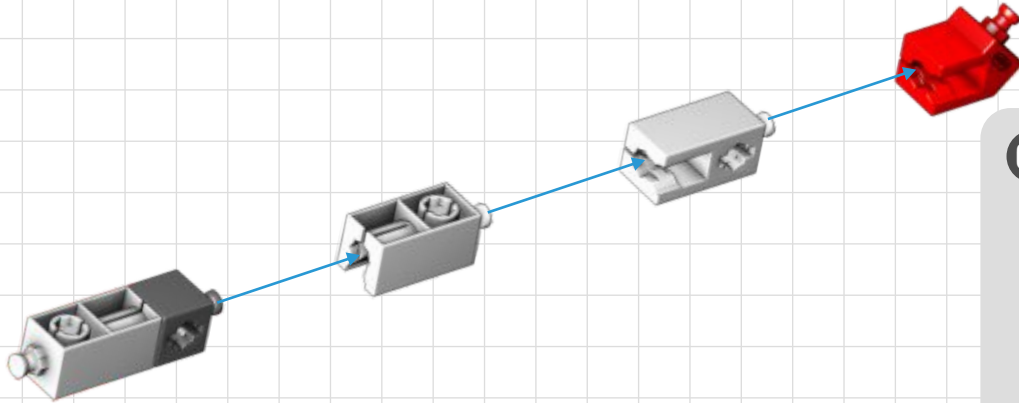
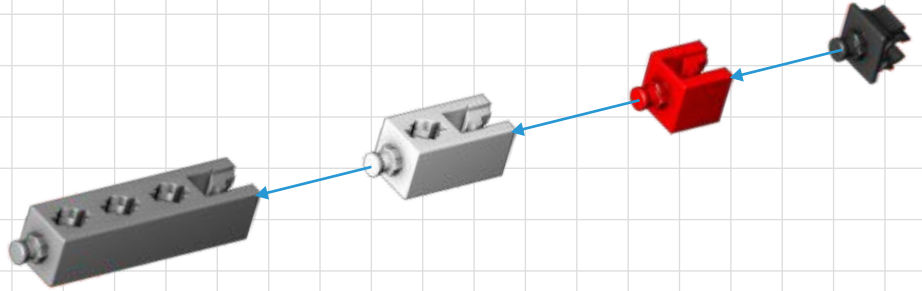
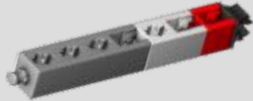




02



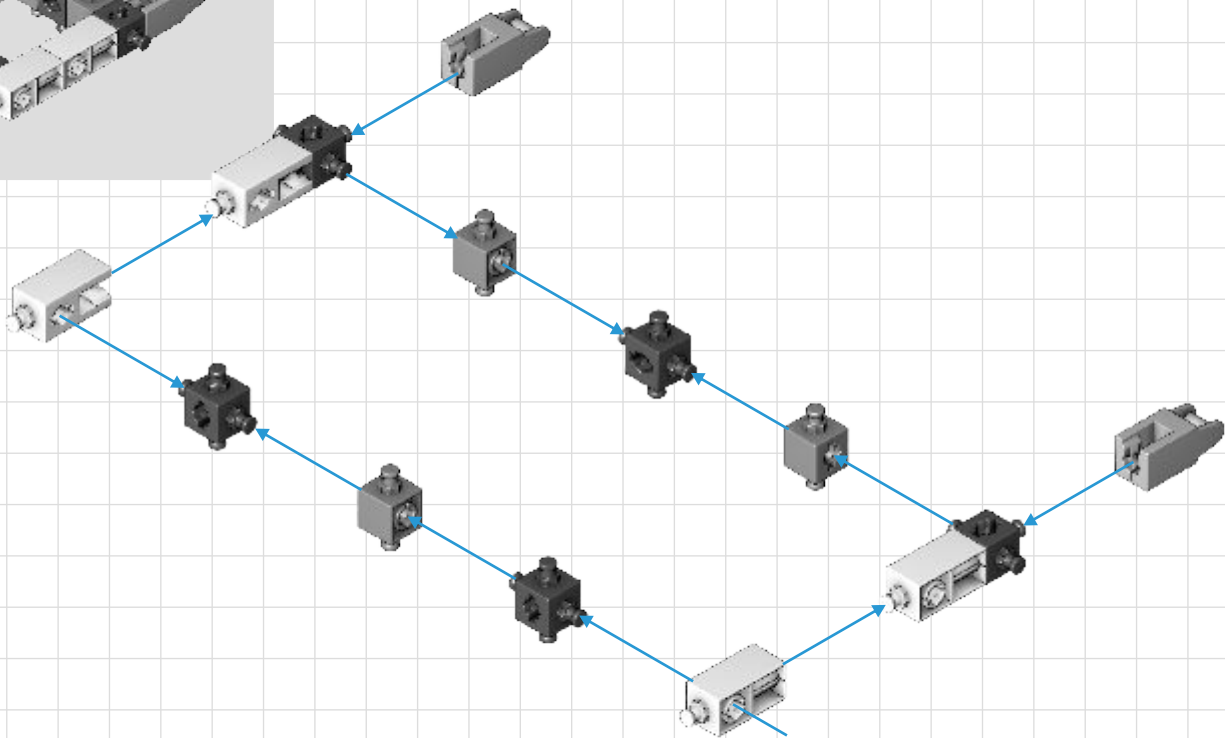
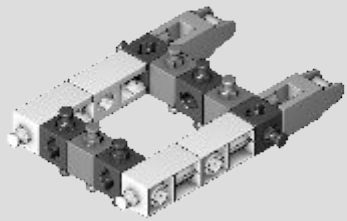
03 x3



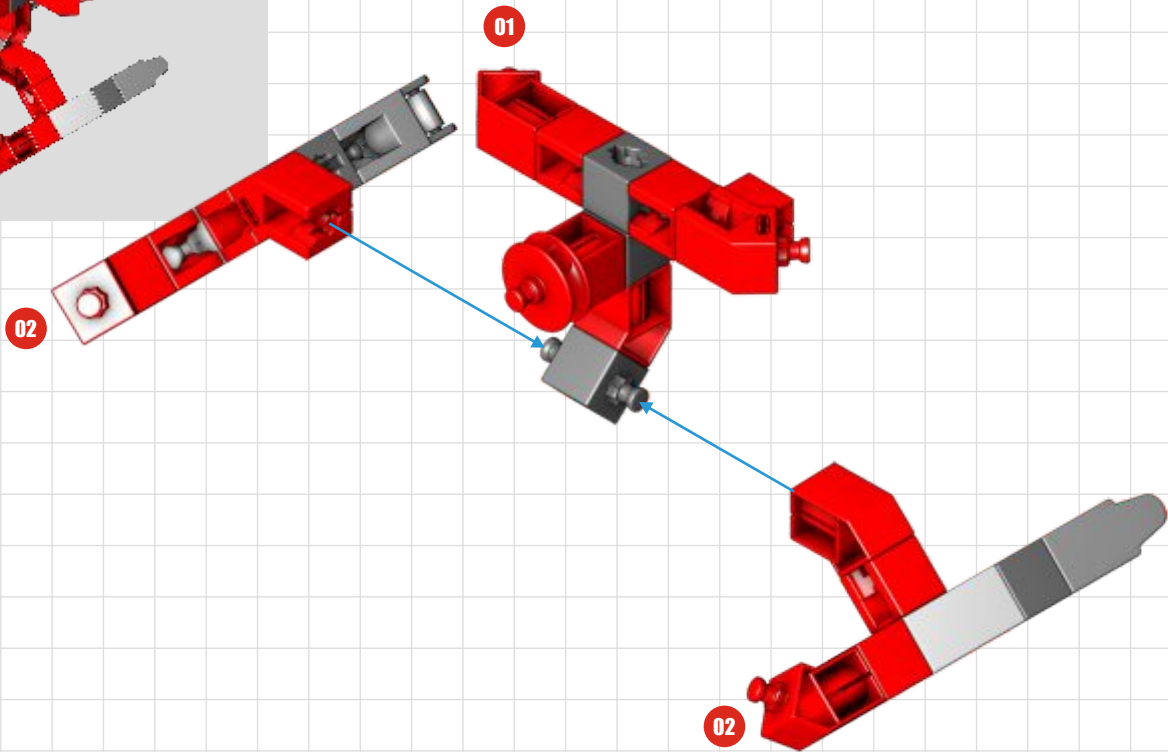
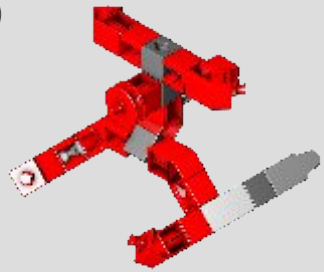
04



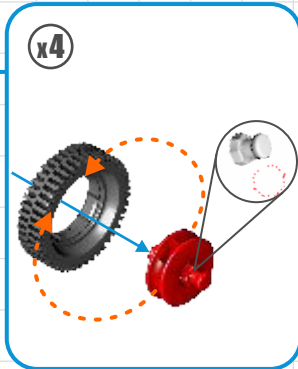
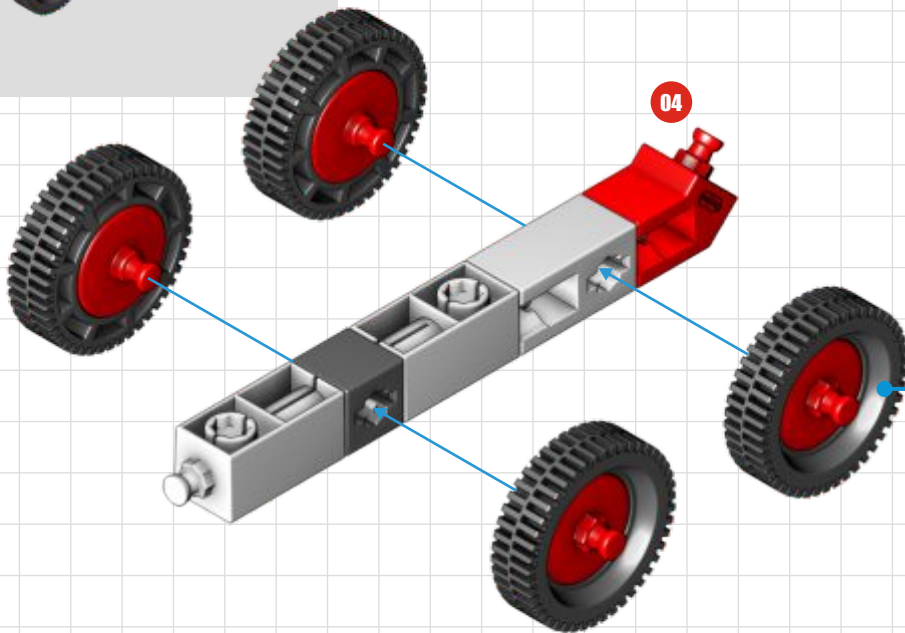
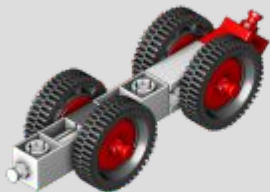
05



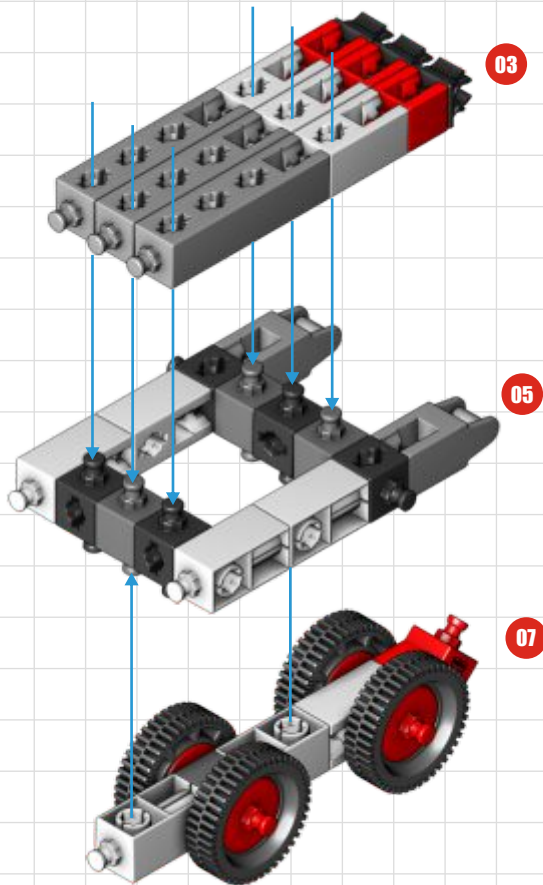
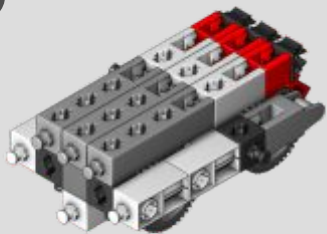
06



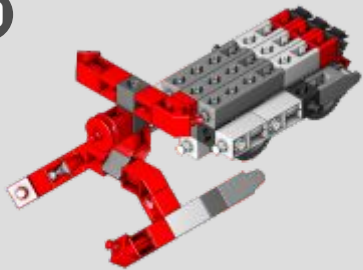
07



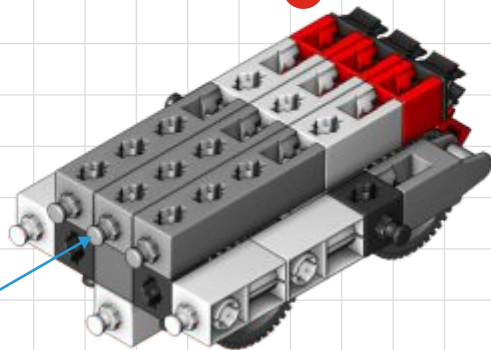
08



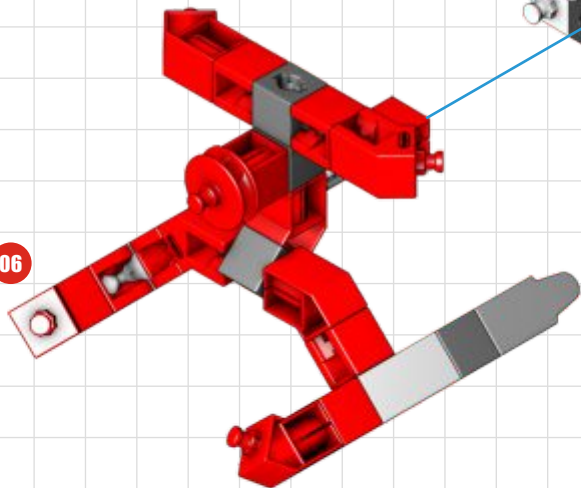
09



08



06





x2



x1



x4



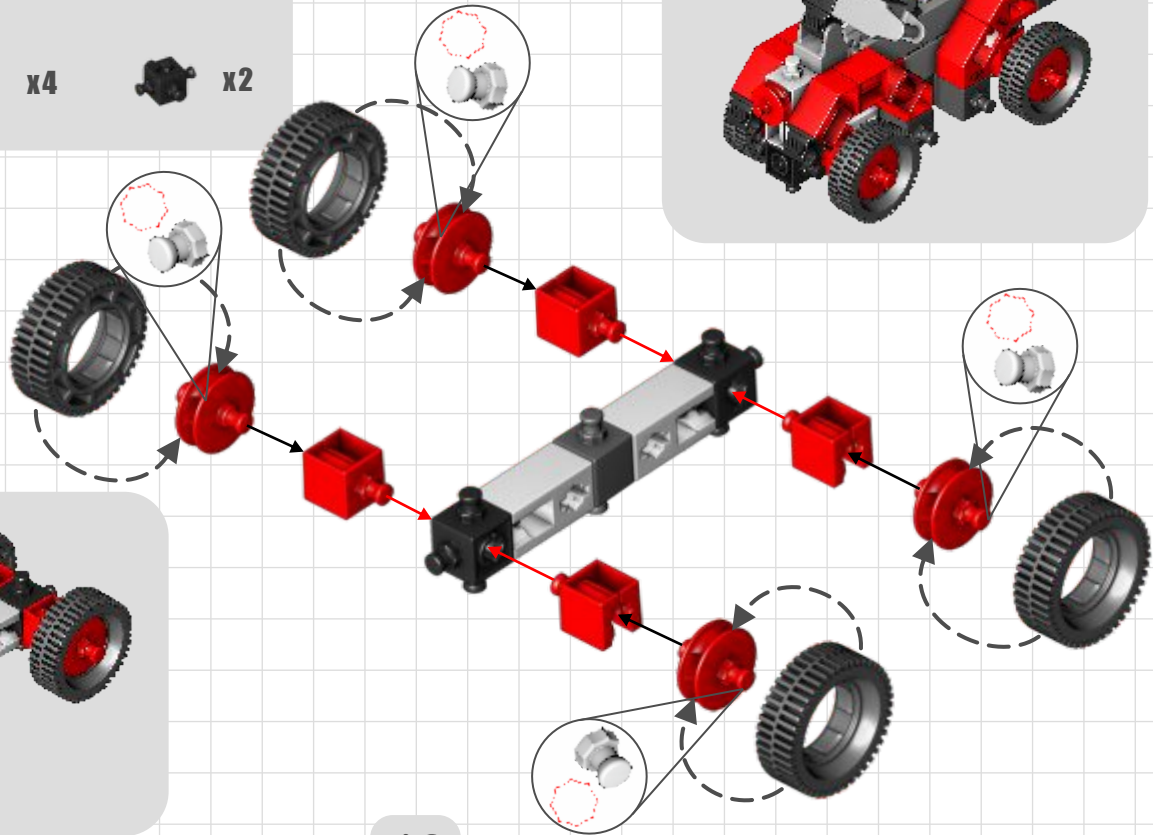
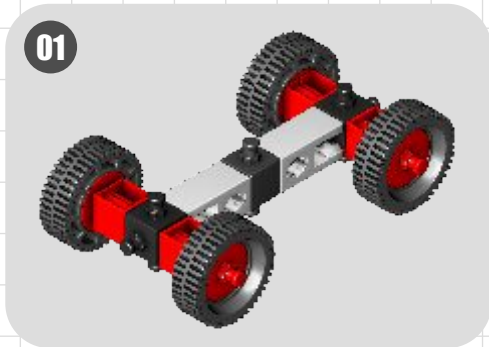
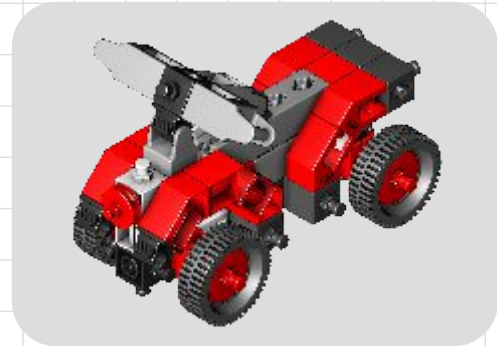
x4



x4



x2







x1



x1



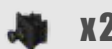
x3



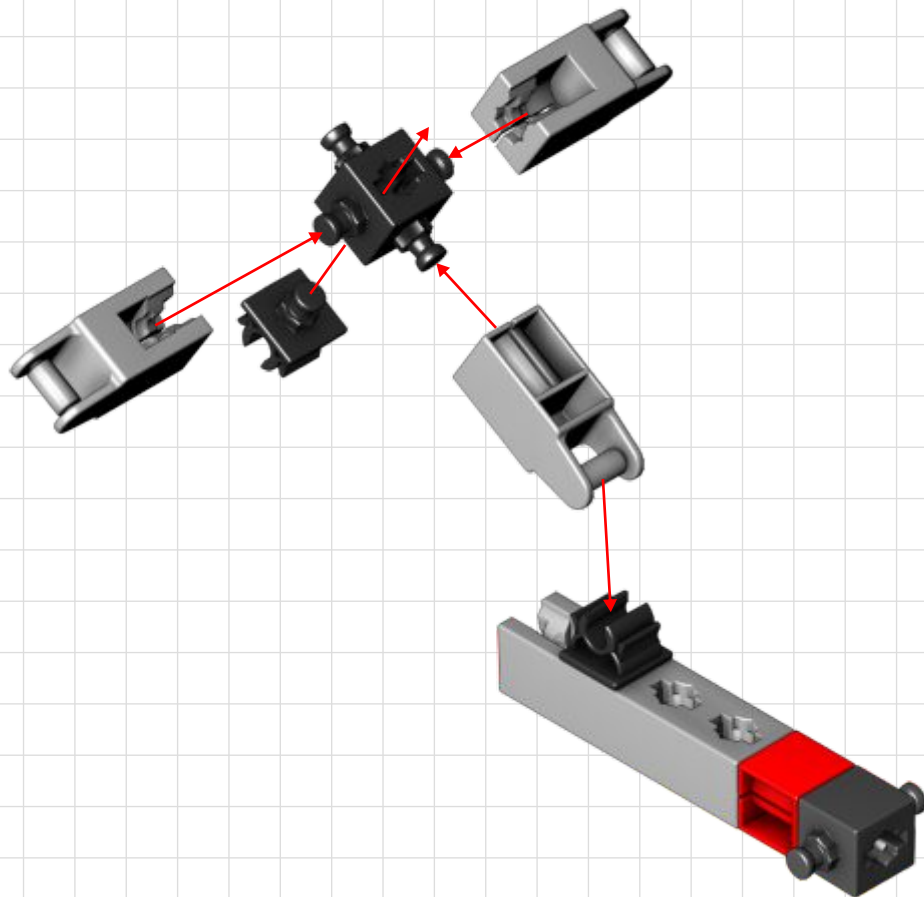
x1



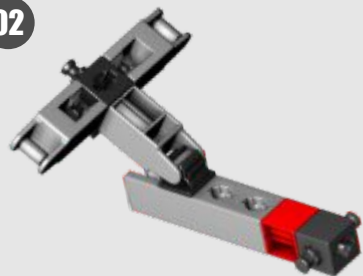
x1

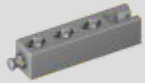


x2



02





x1



x1



x1



x1

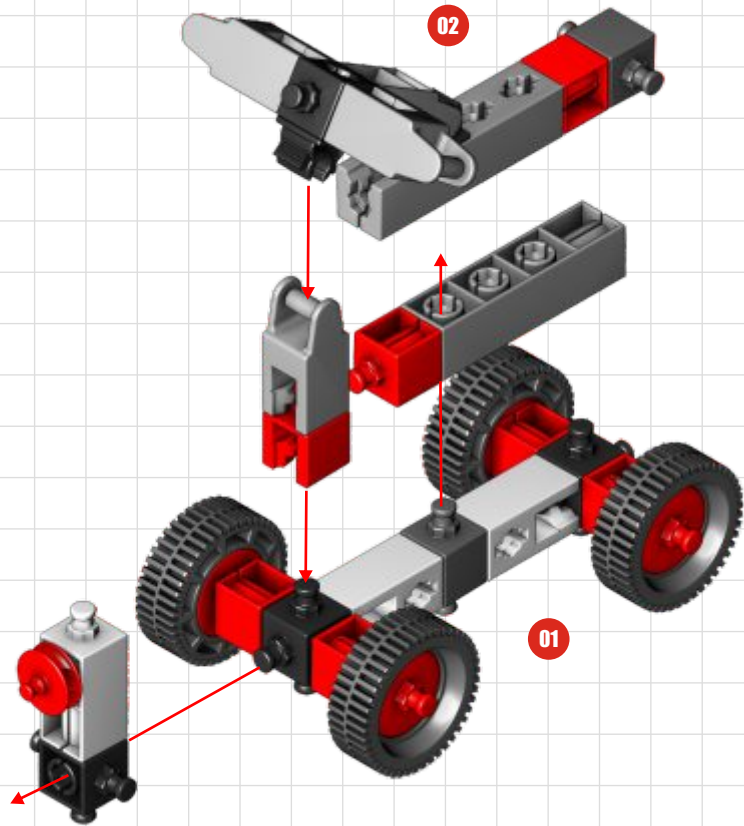
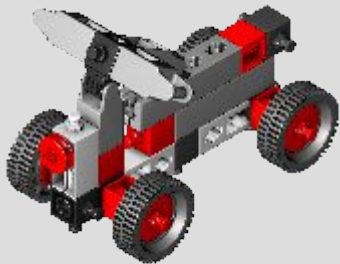


x2



x1

03



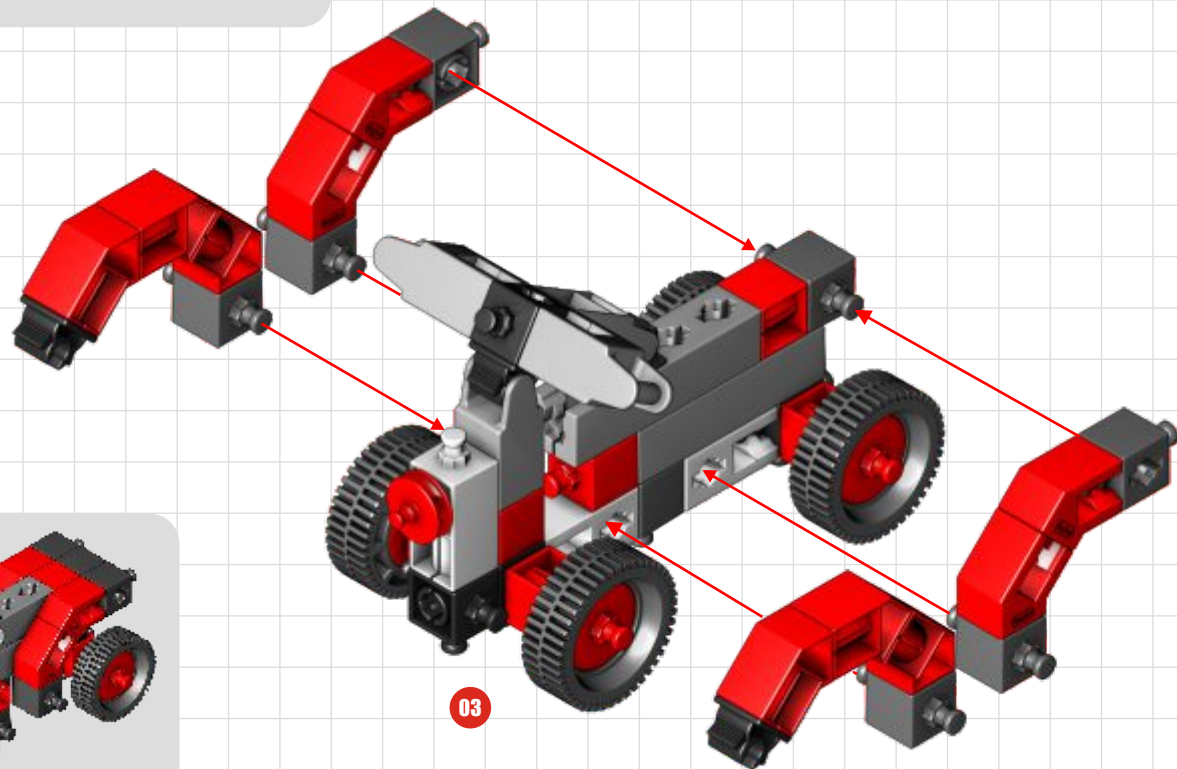
02

01

 x10

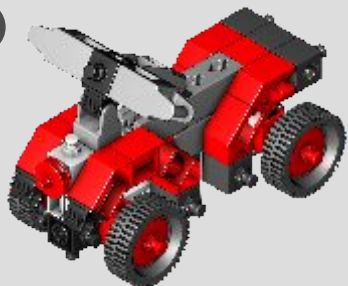
 x6

 x2



03

04





x2



x4



x2



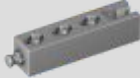
x2



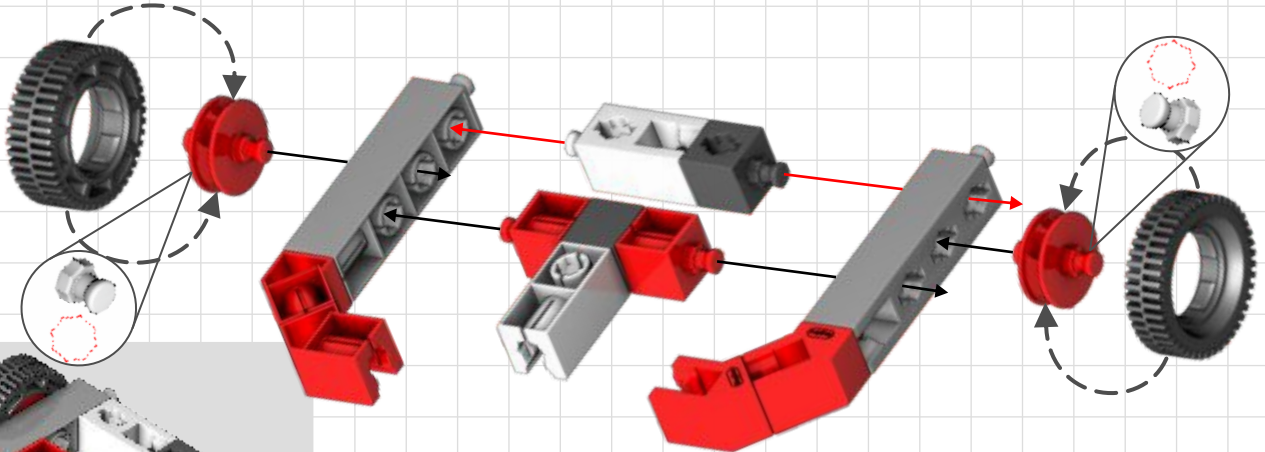
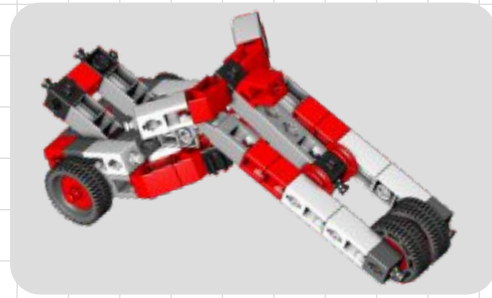
x2



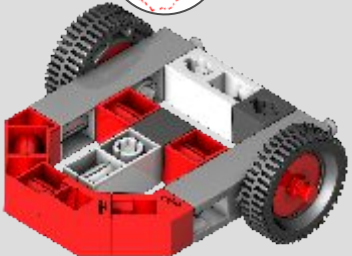
x2






x2





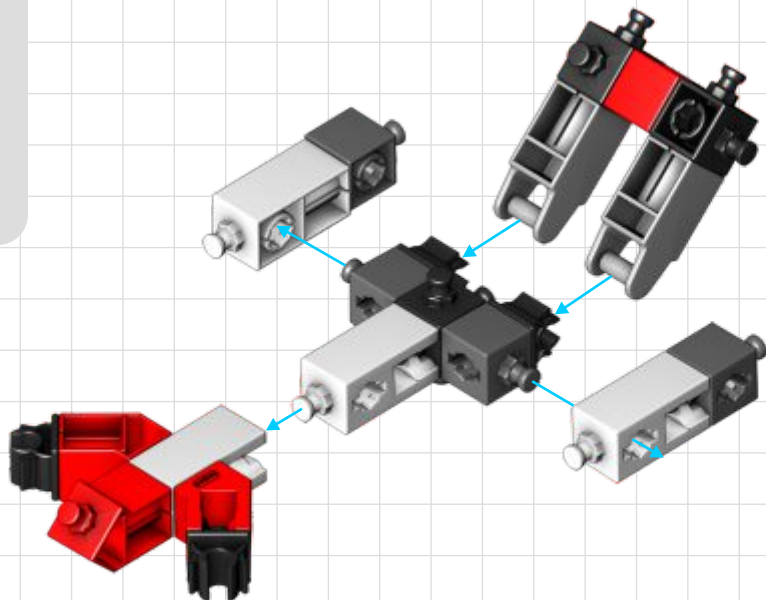
01



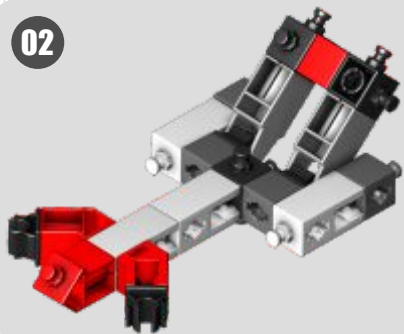
 x4     x2     x1

 x4     x4

 x3     x3



02

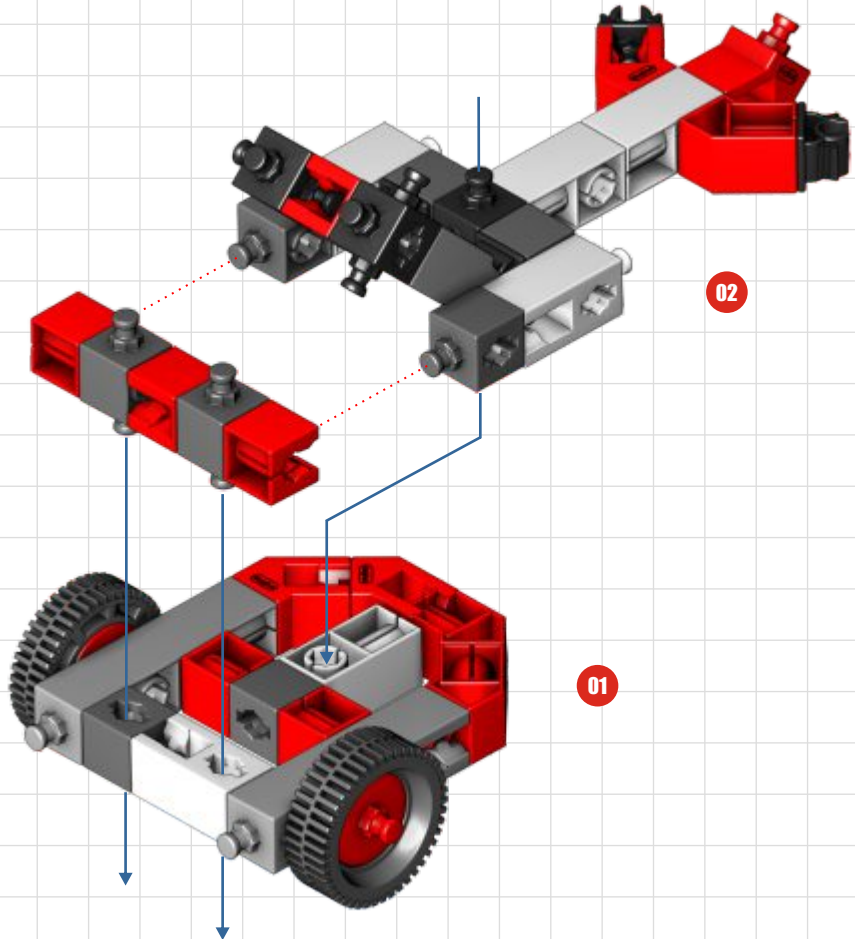




x2



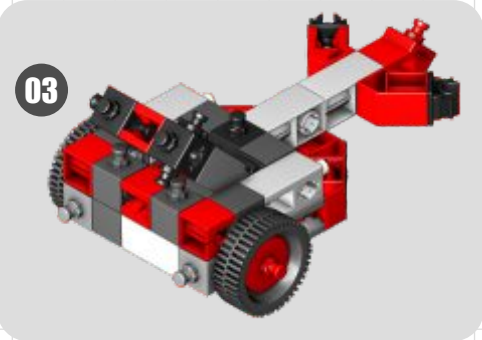
x3



02

01

03





x2



x3



x2



x4



x6



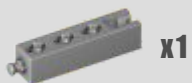
x3



x4



x2



x1

04

