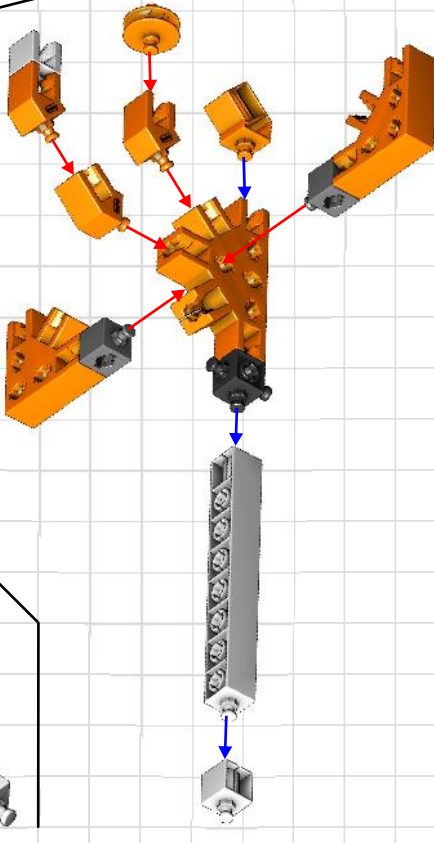
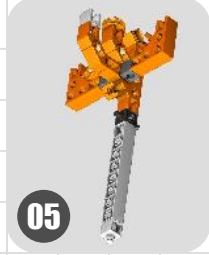
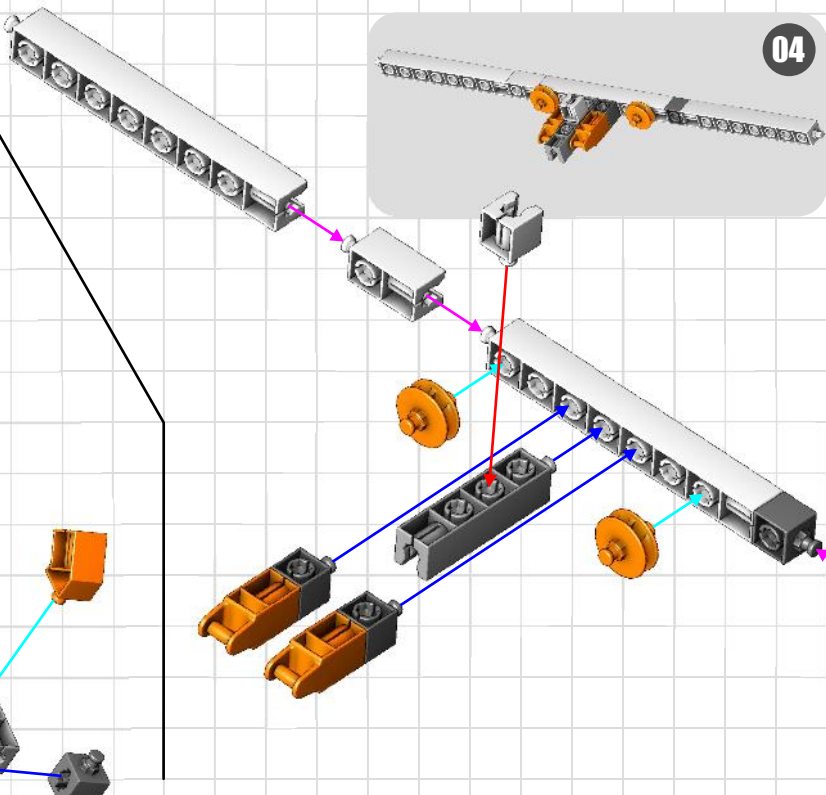
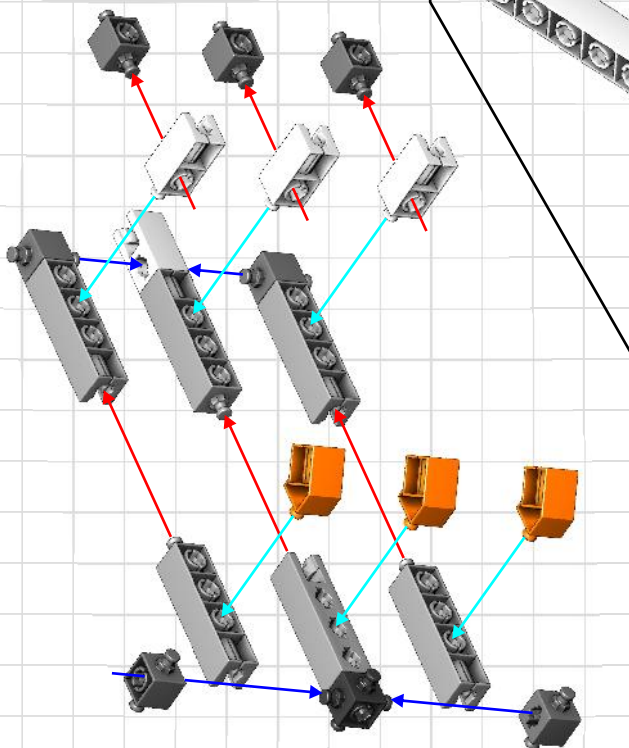
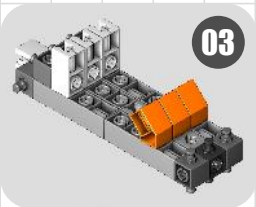
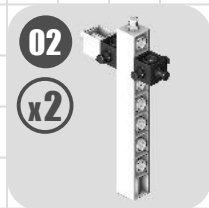
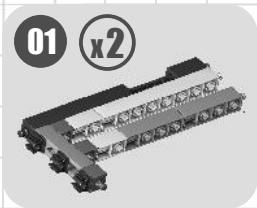
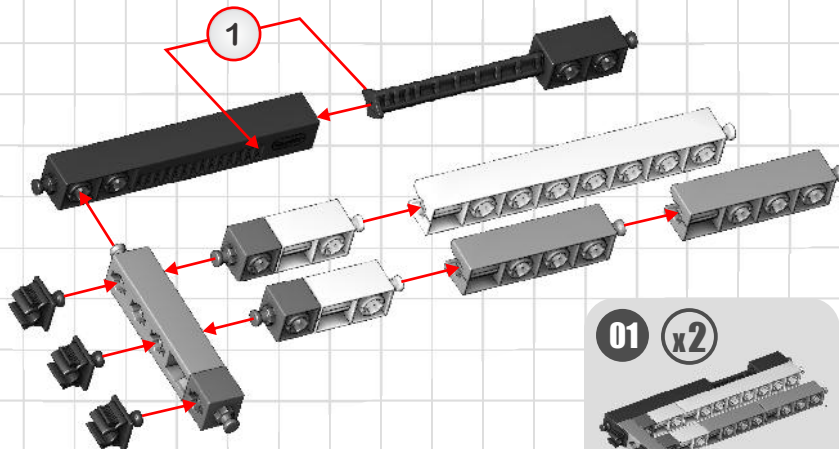
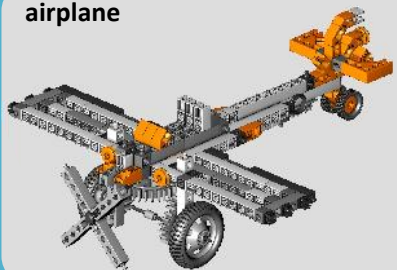


airplane



06

07 x2

09

01

01

02

02

08

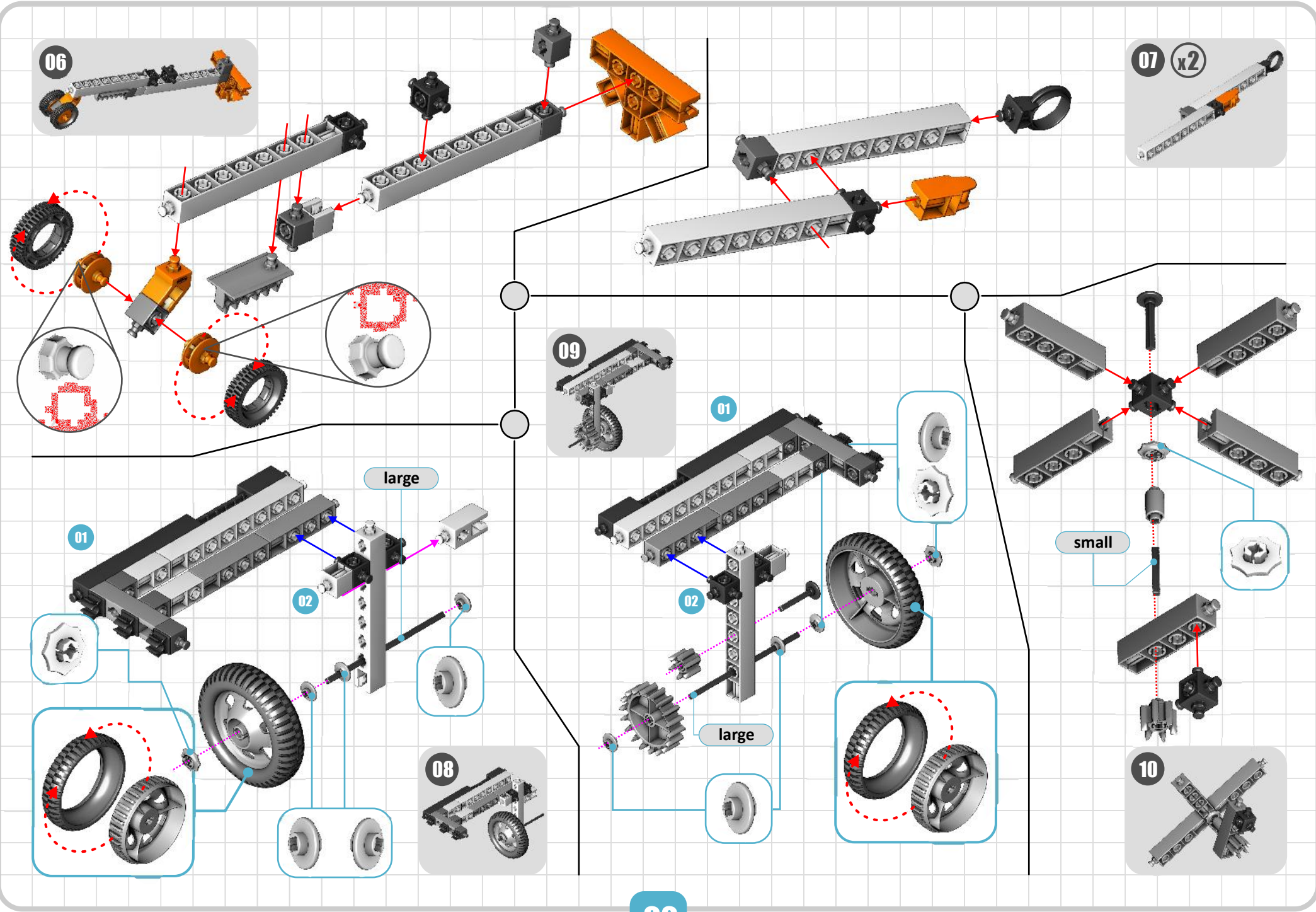
10

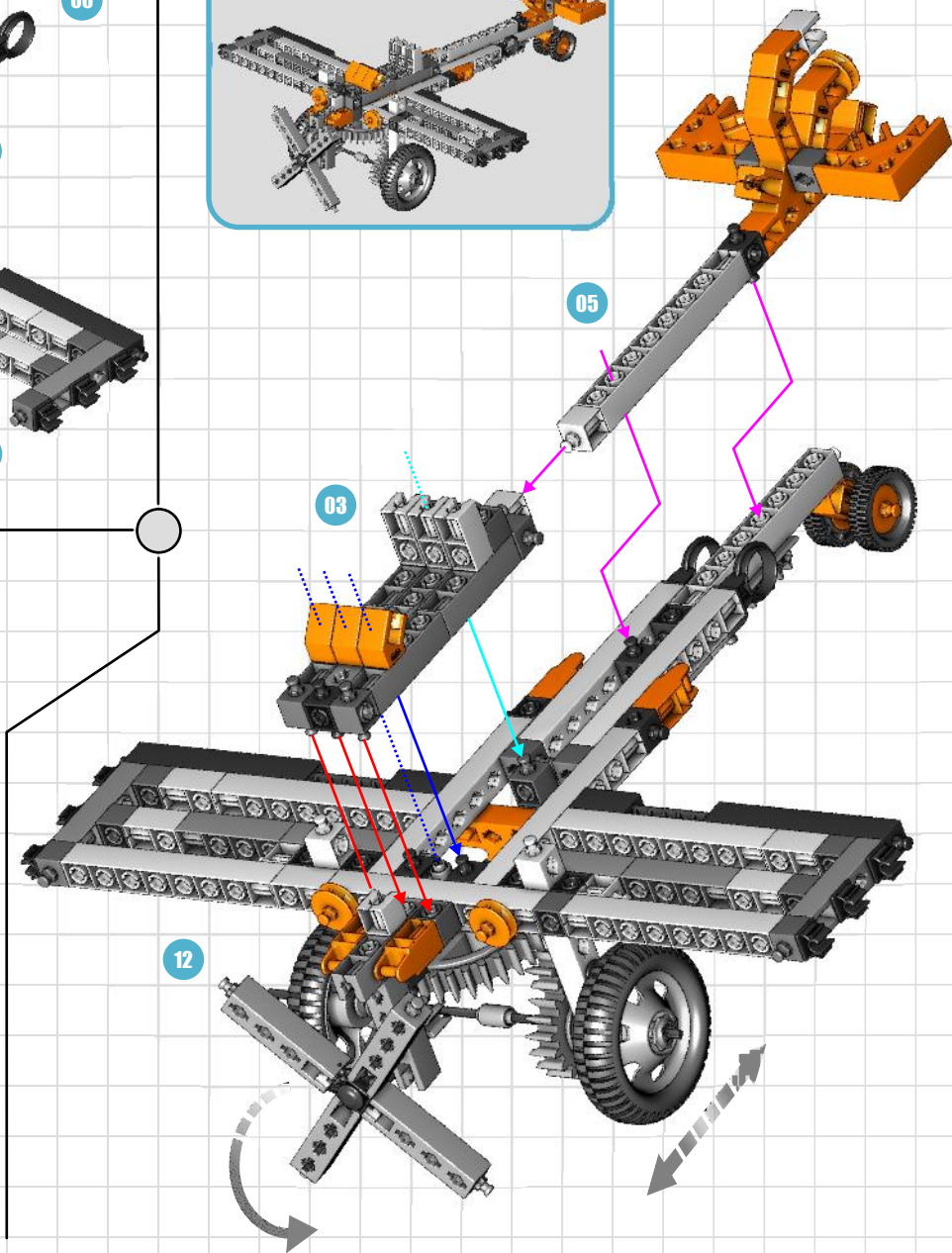
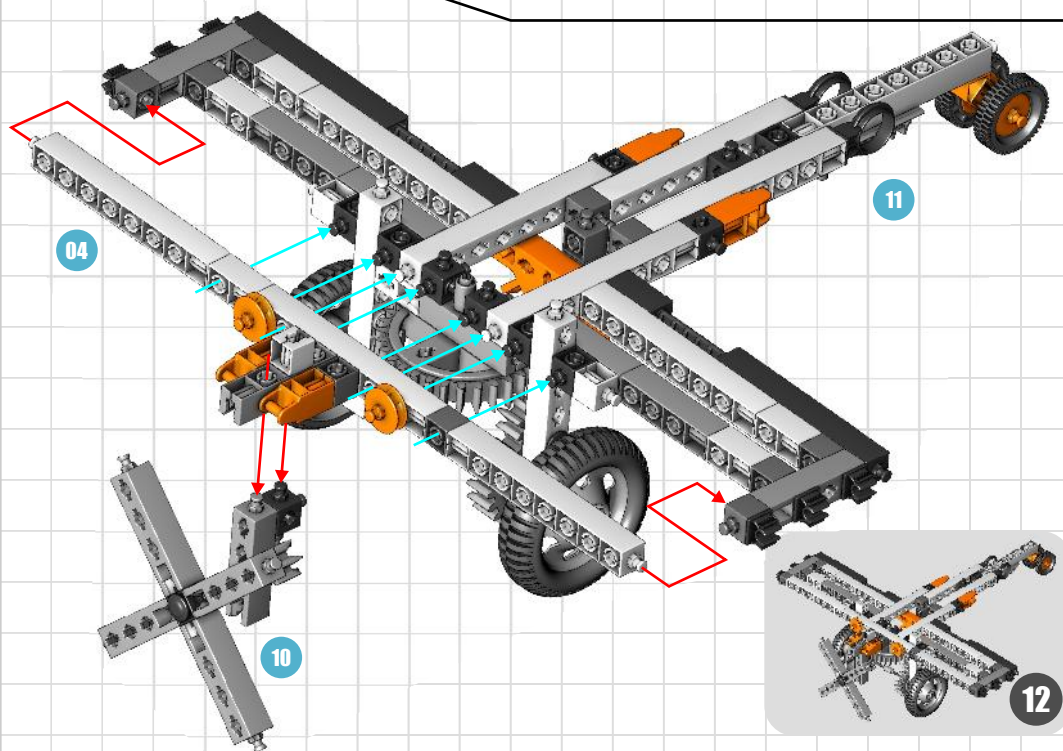
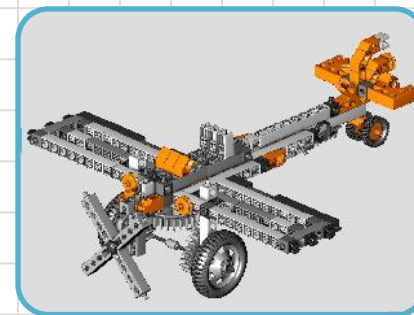
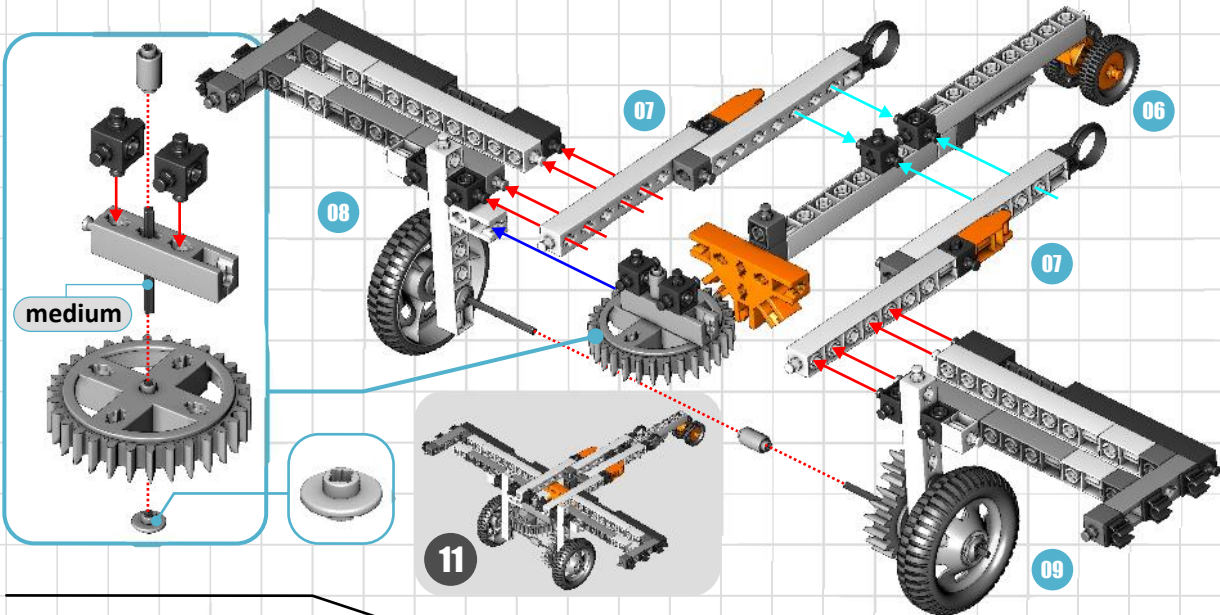
large

small

large

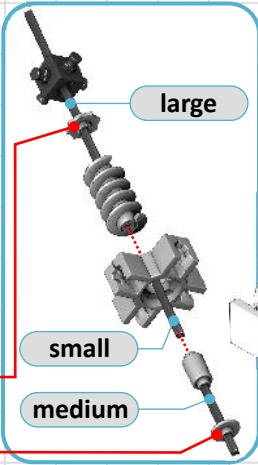
02







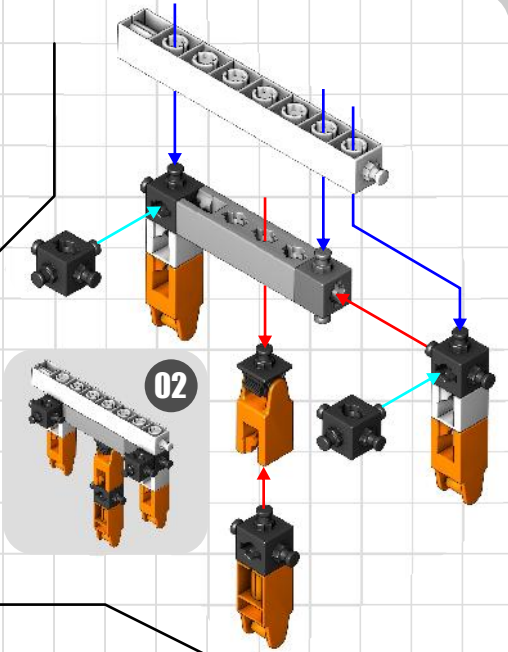
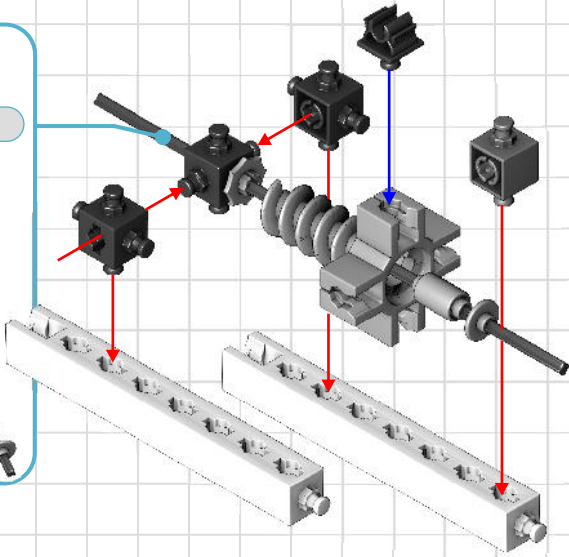
01



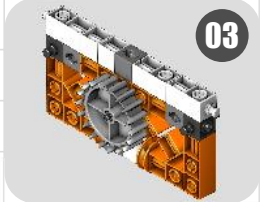
large

small

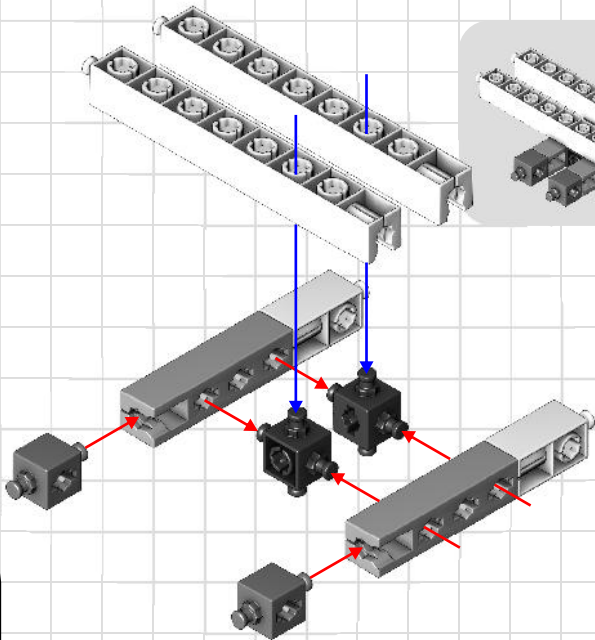
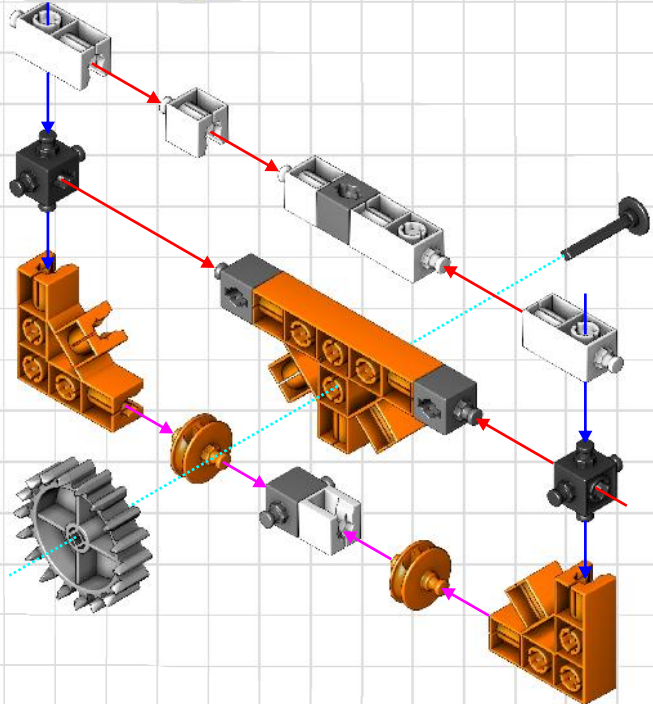
medium



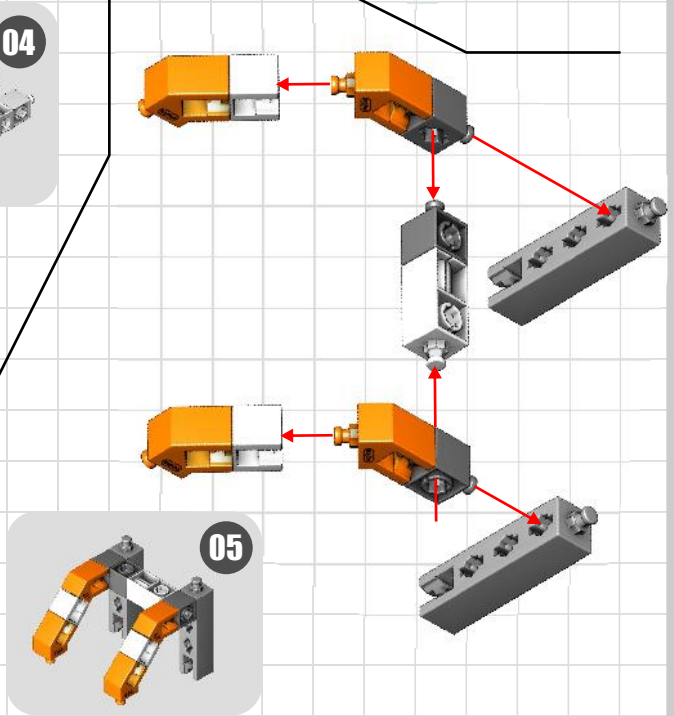
02



03

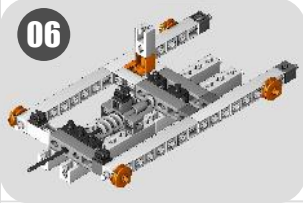


04



05

06

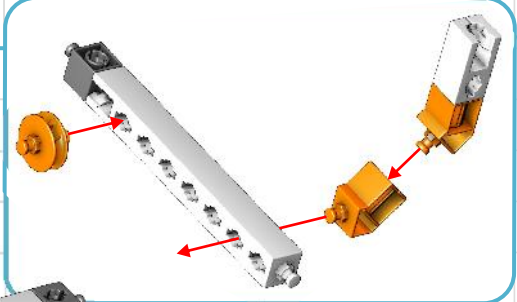
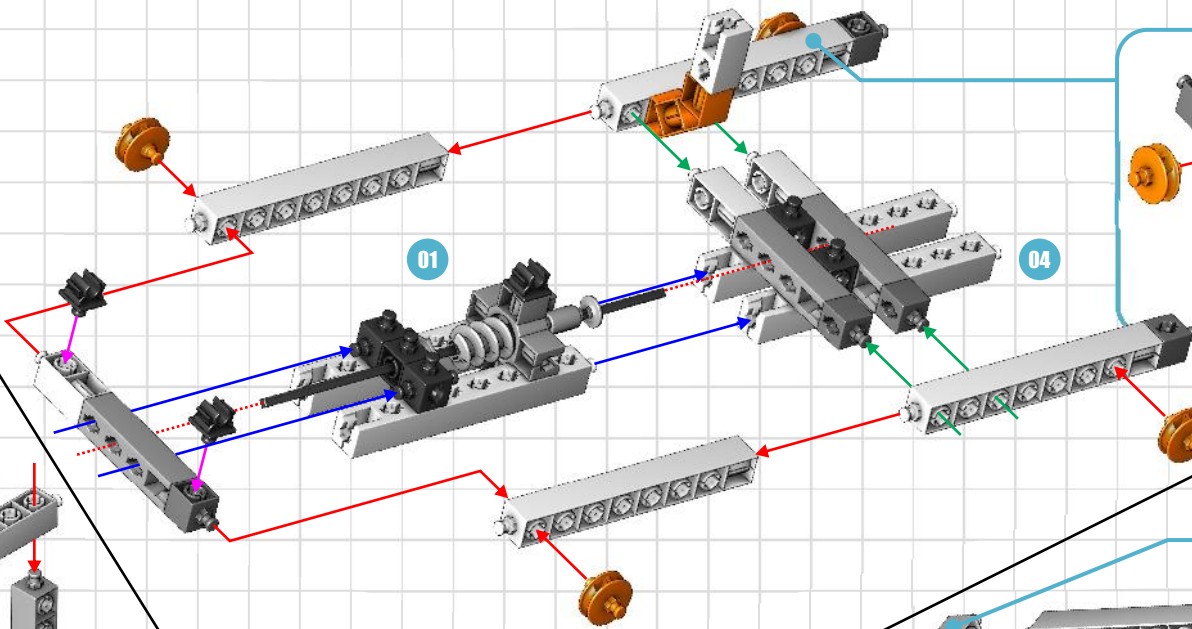


07



01

04



x2

5

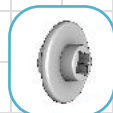
07

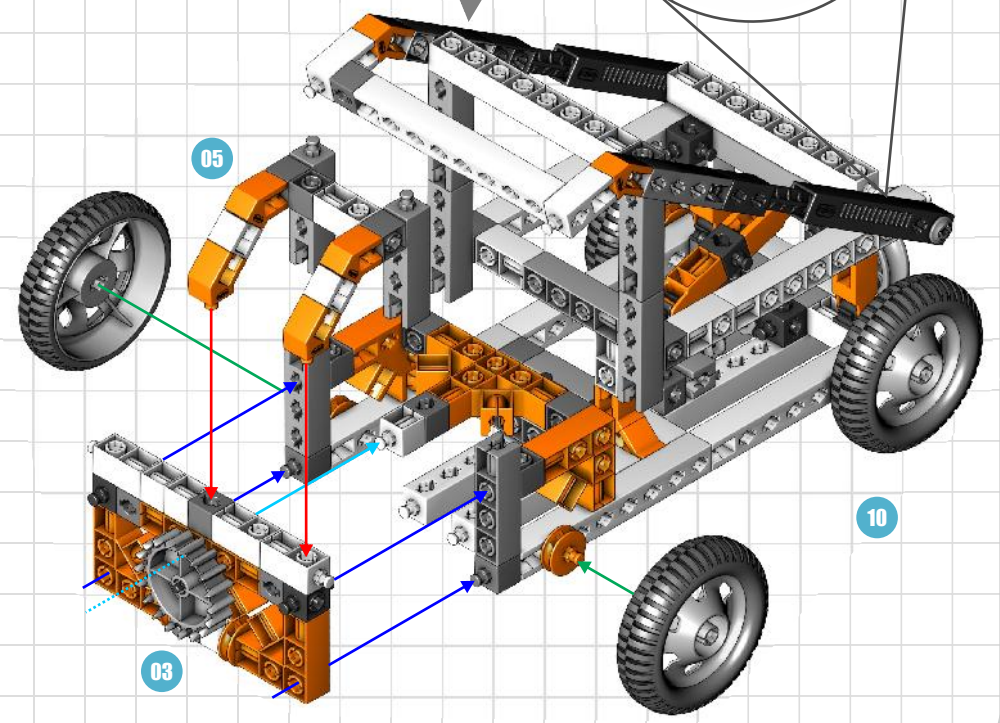
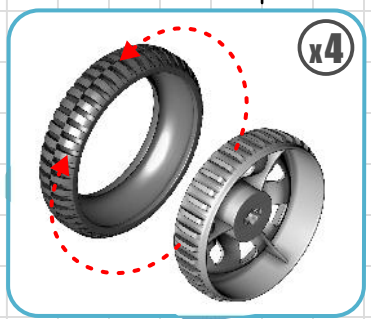
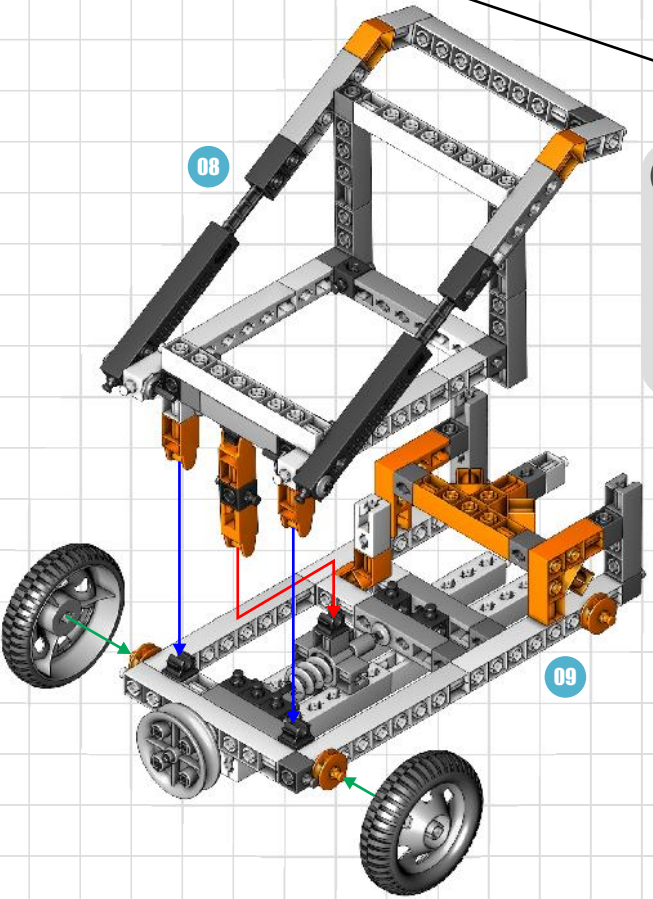
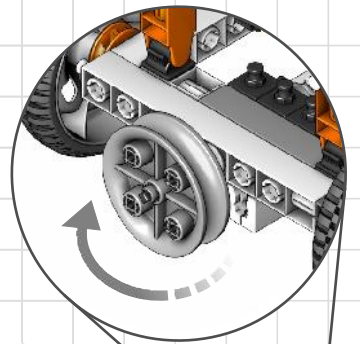
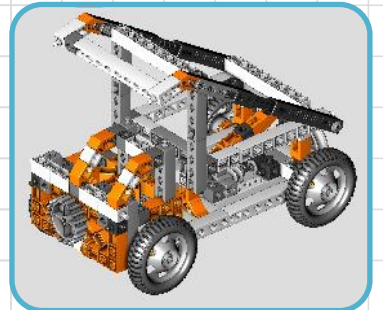
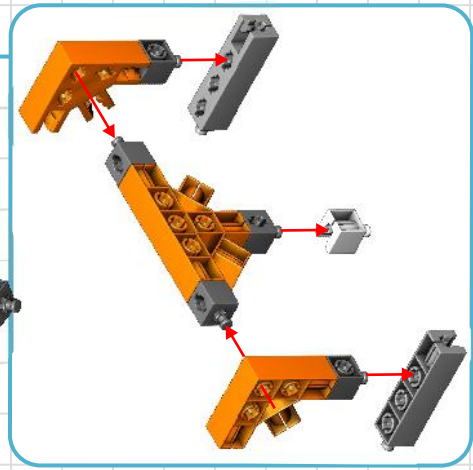
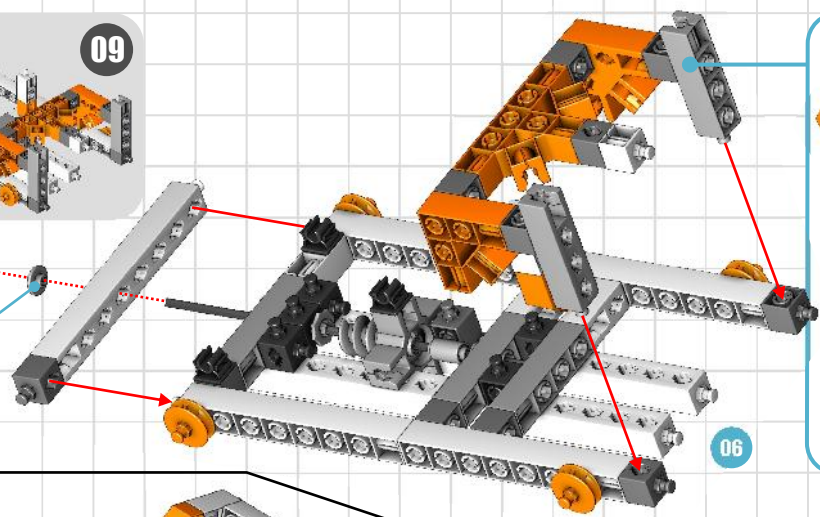
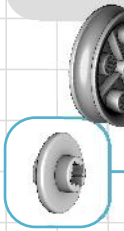
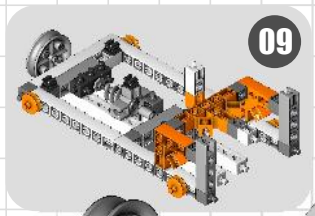
08



medium

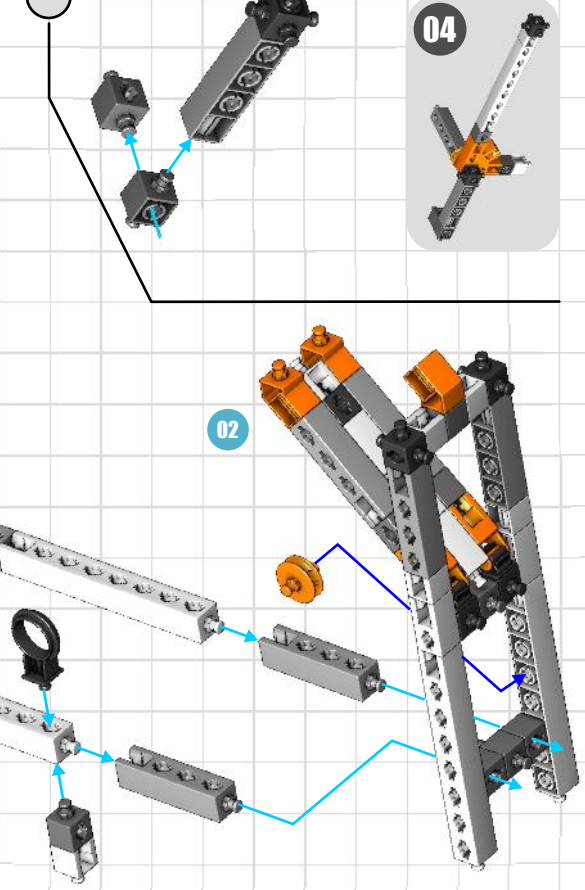
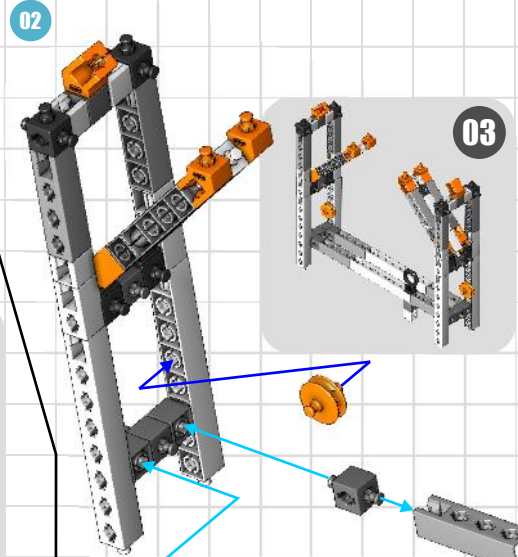
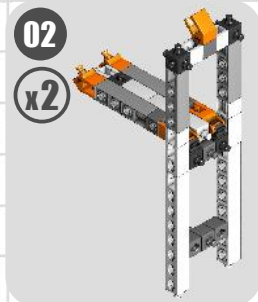
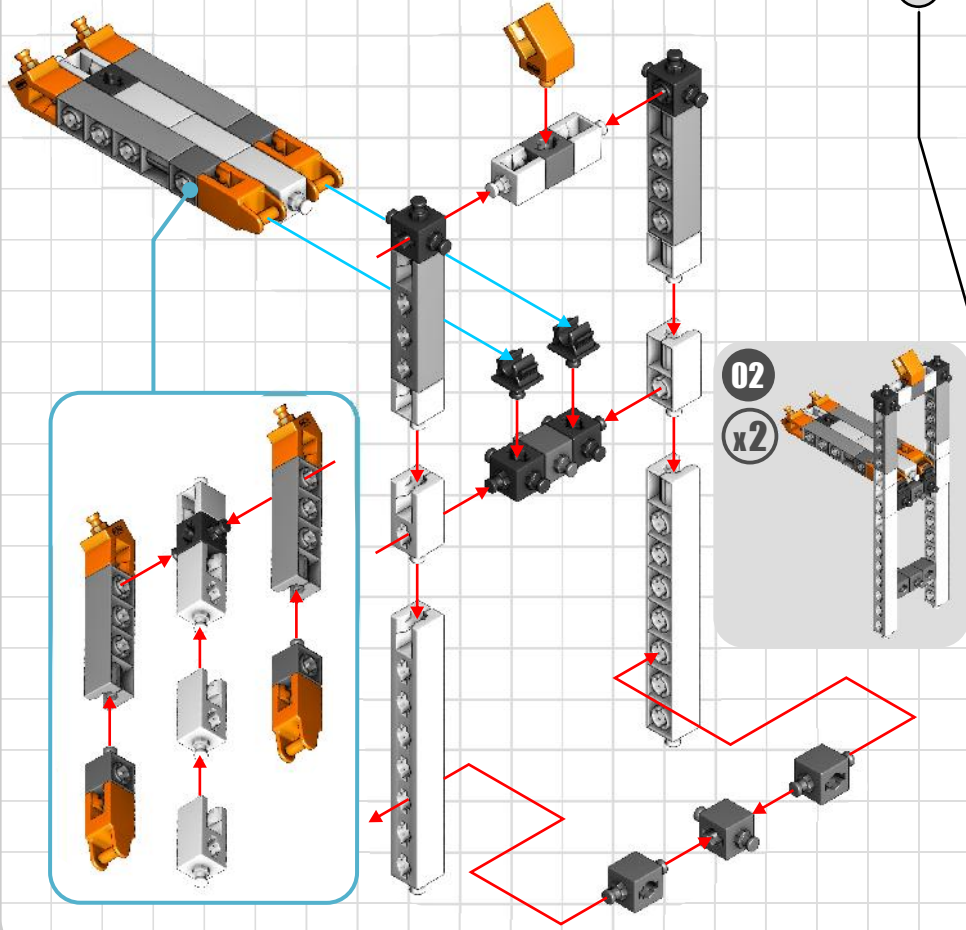
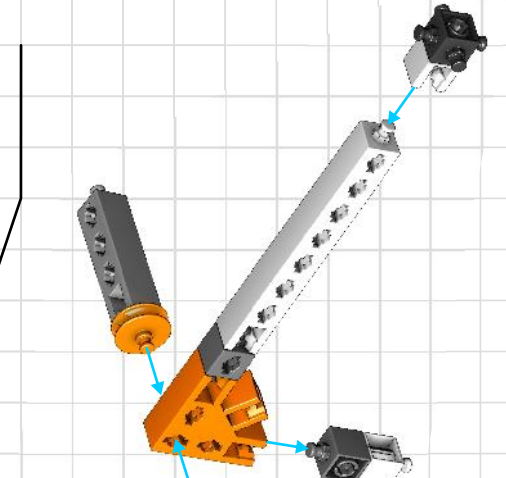
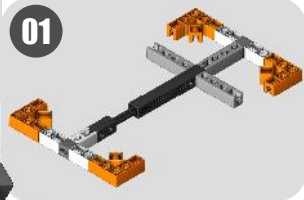
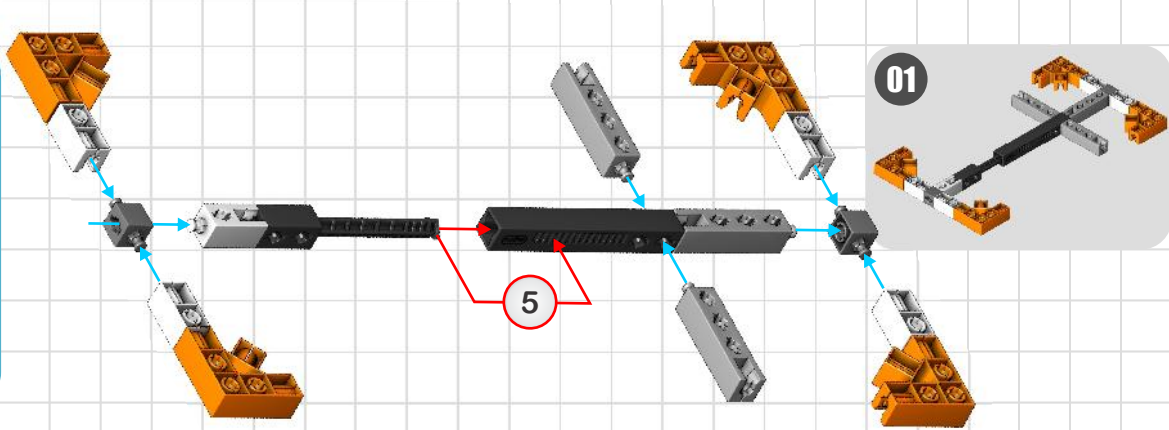
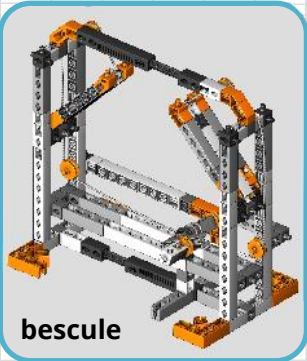
medium

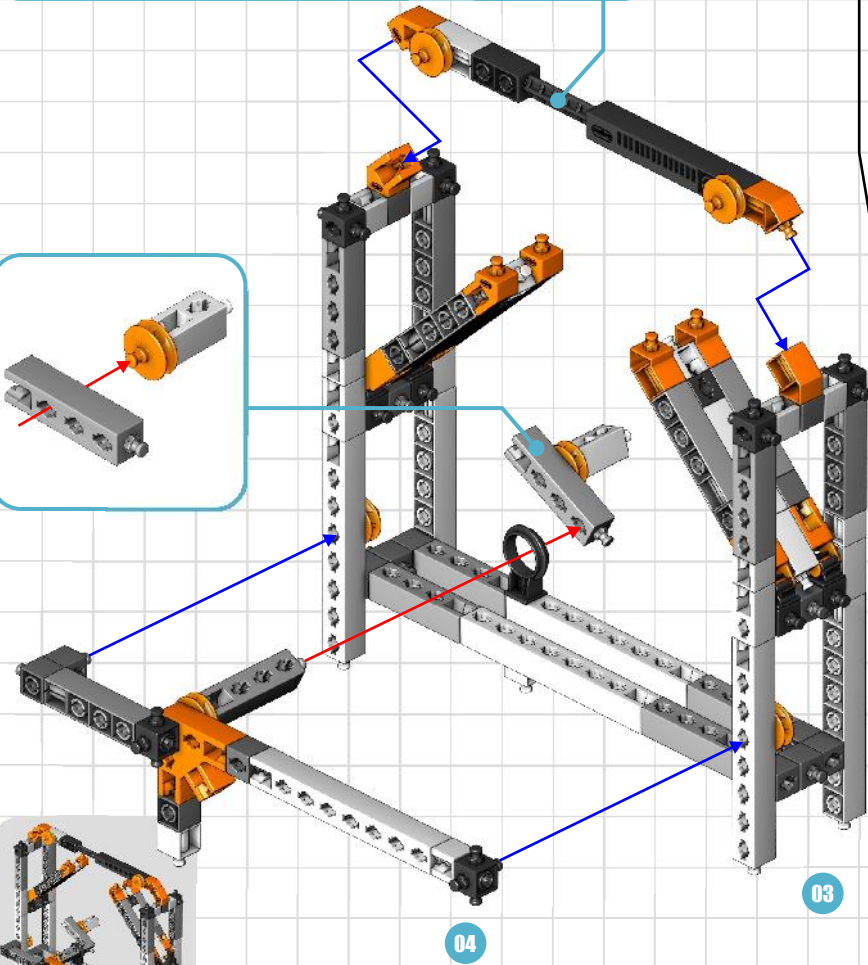
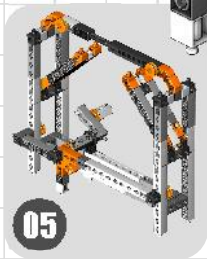
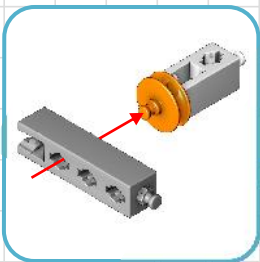
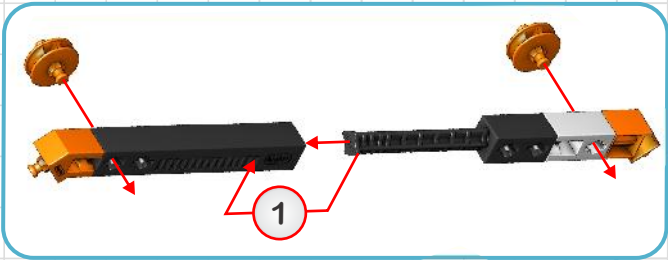




03

10

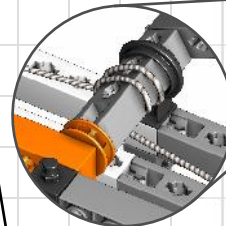
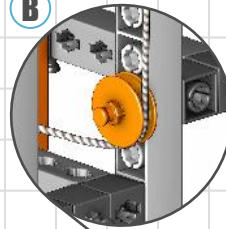




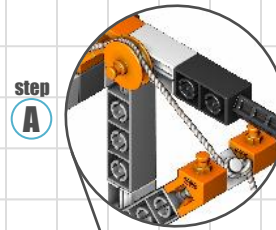
04

03

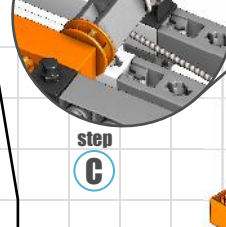
step
B



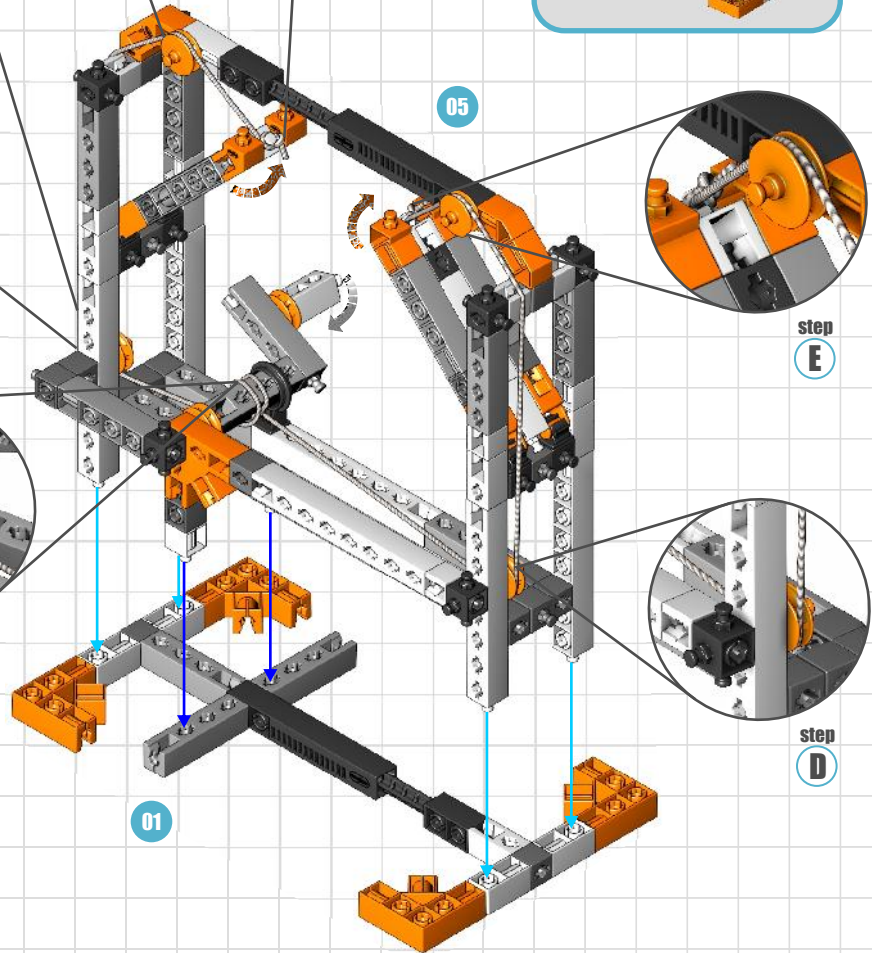
step
C



step
A

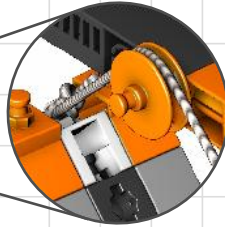


step
D

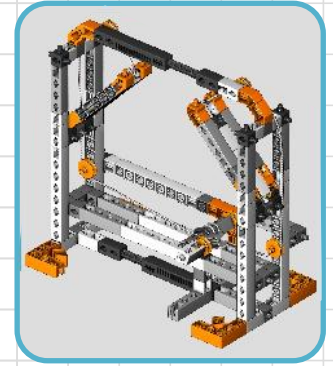


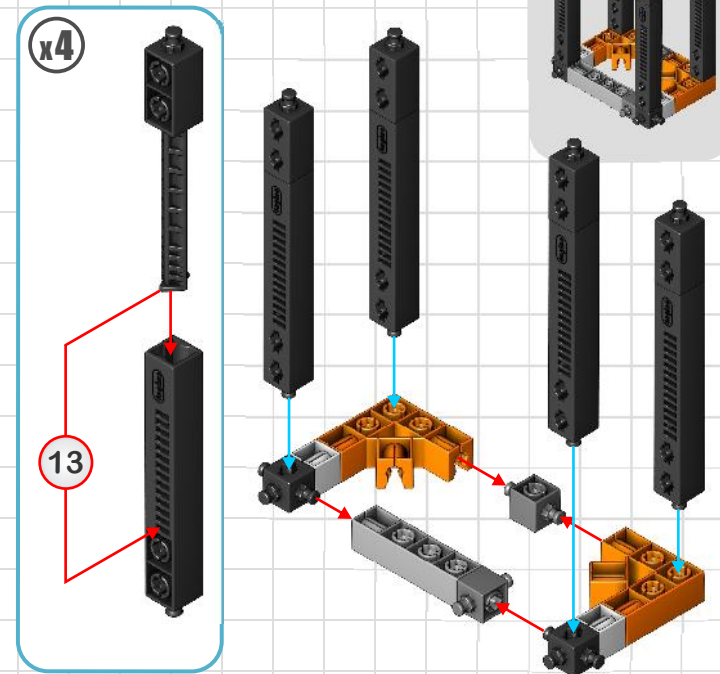
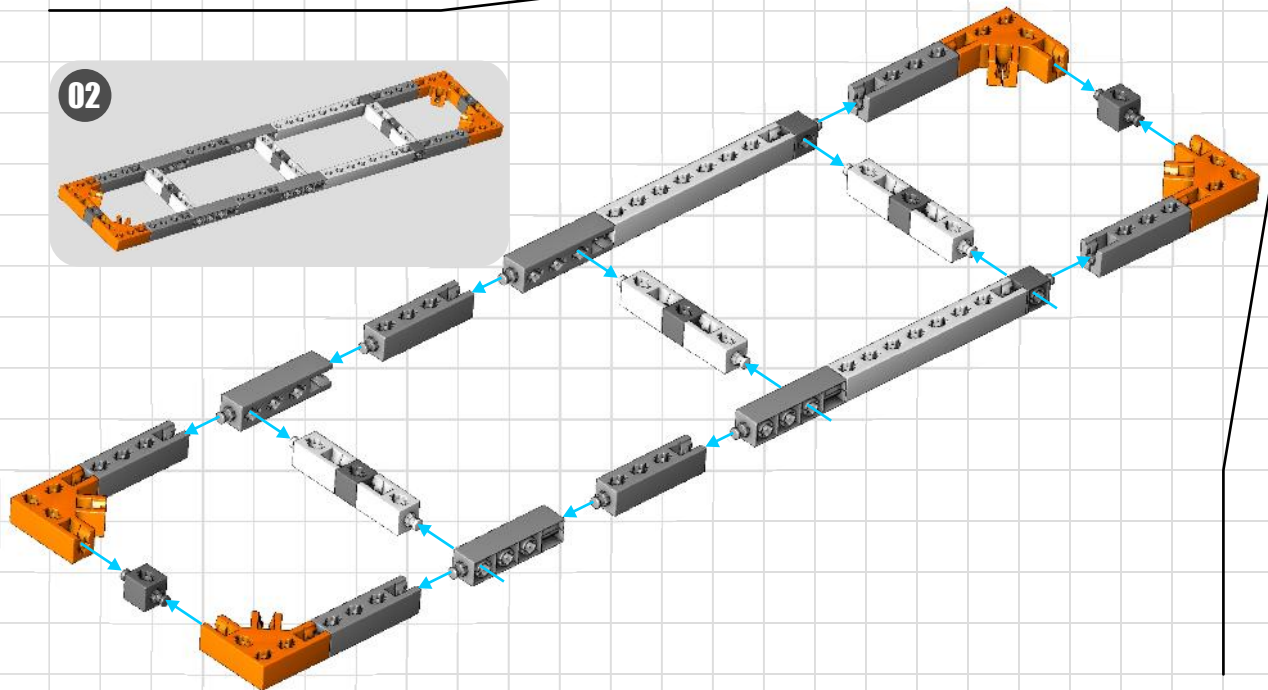
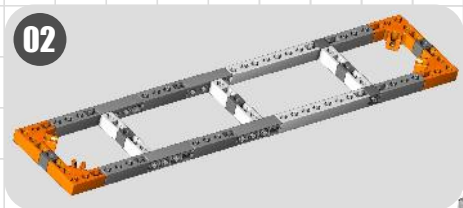
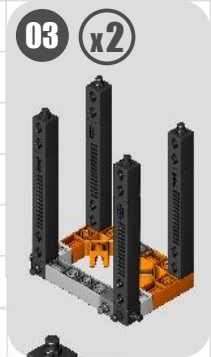
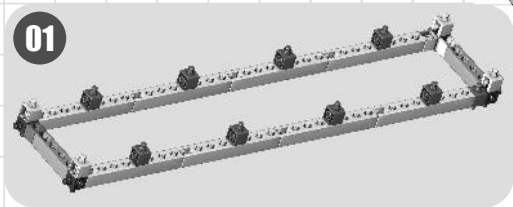
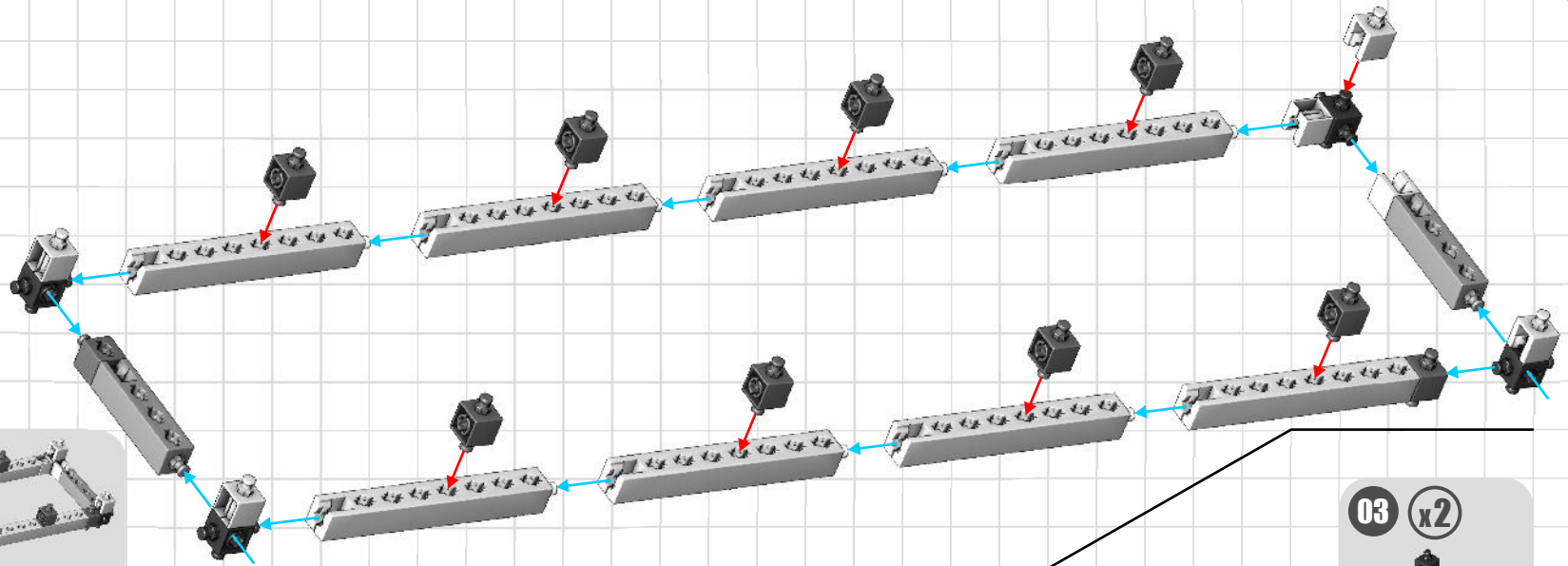
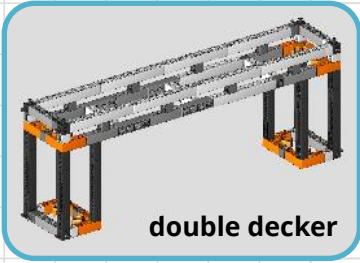
05

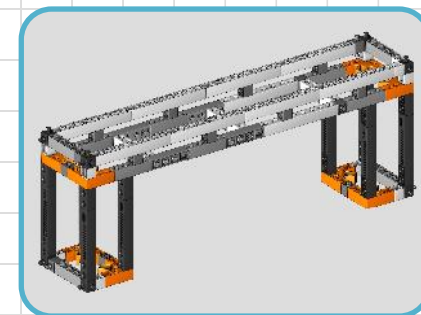
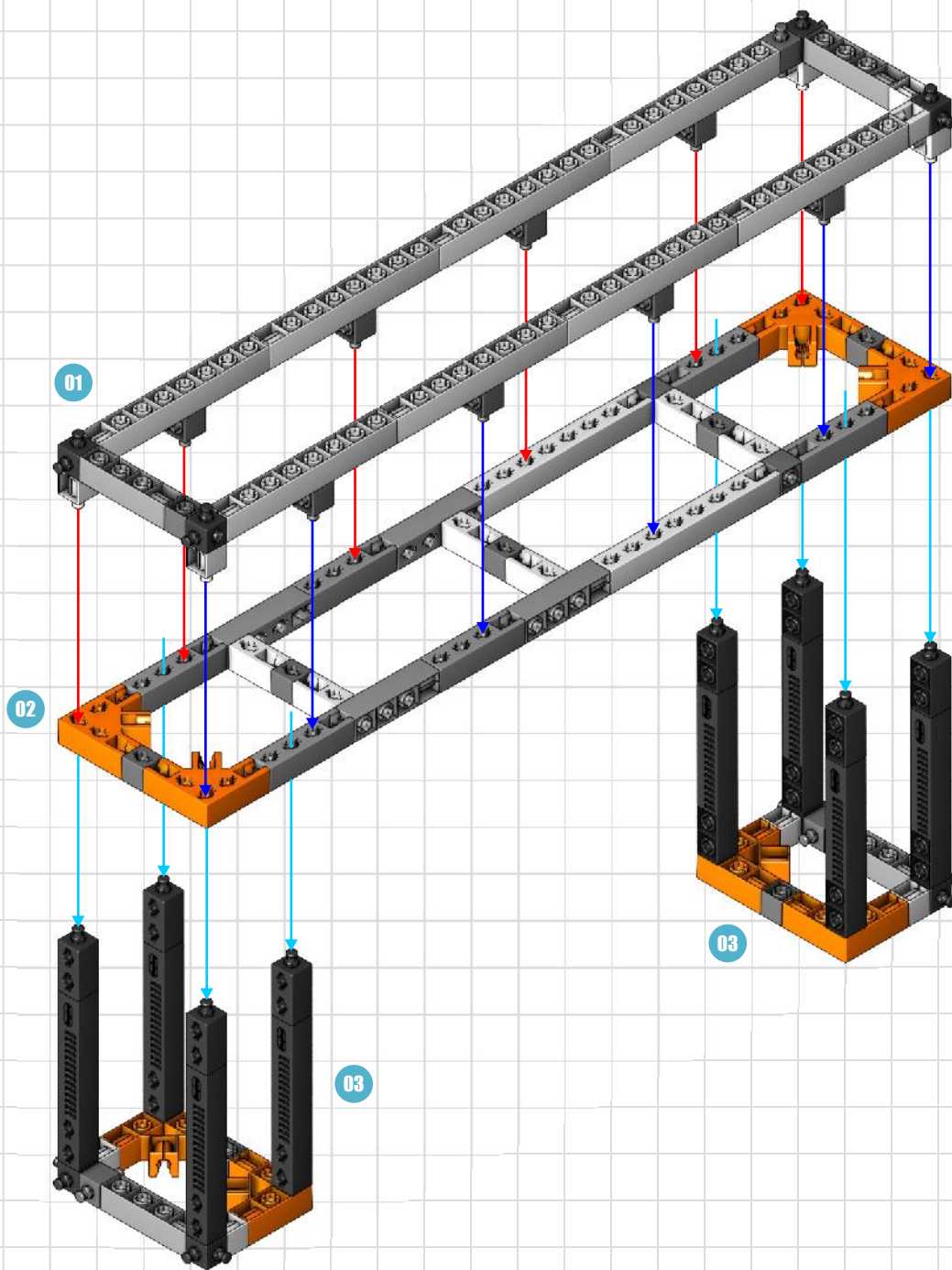
01

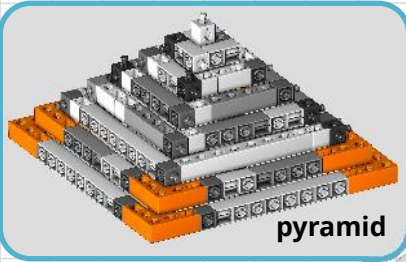


step
E

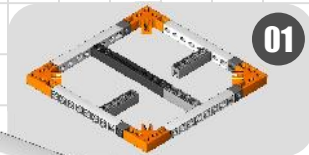








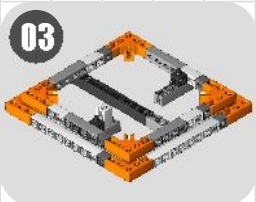
pyramid



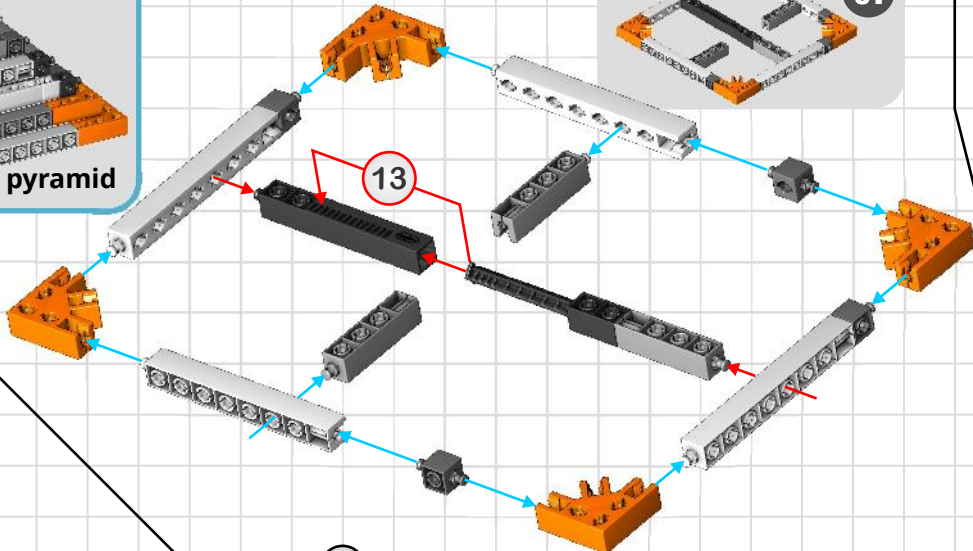
01



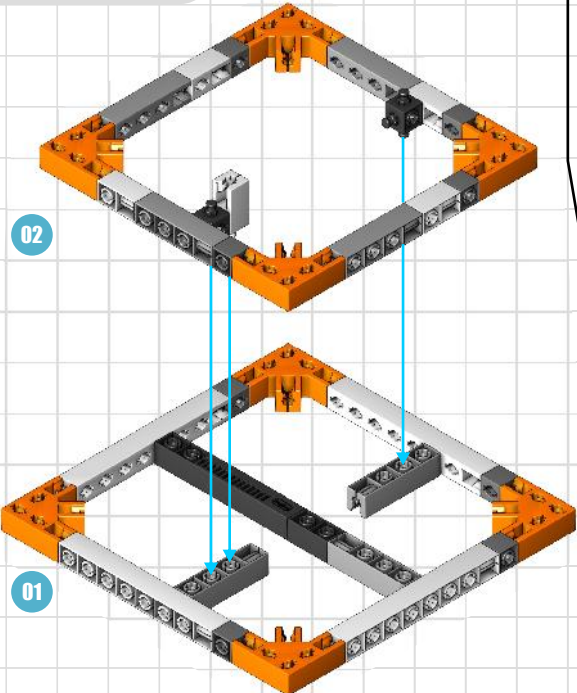
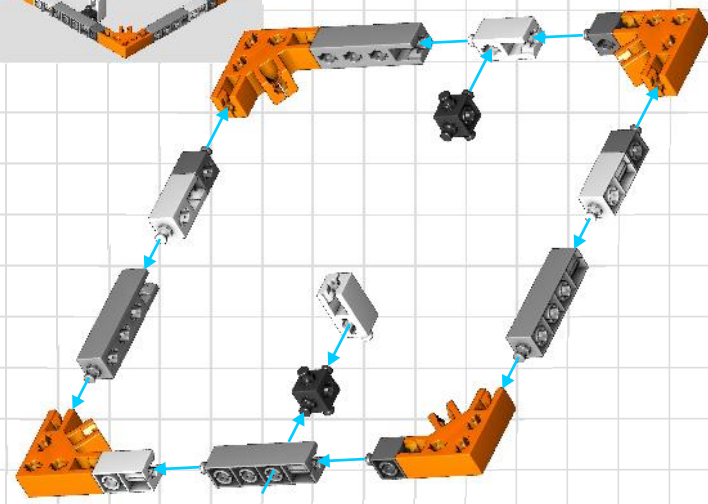
02



03

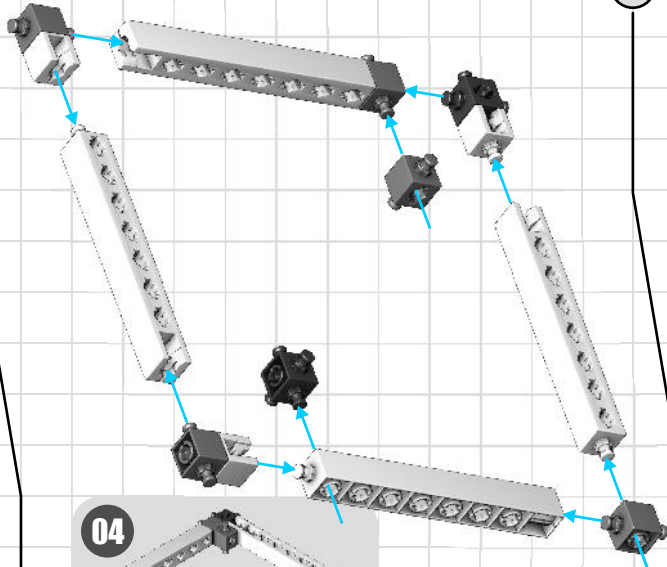


13

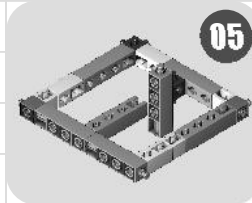


02

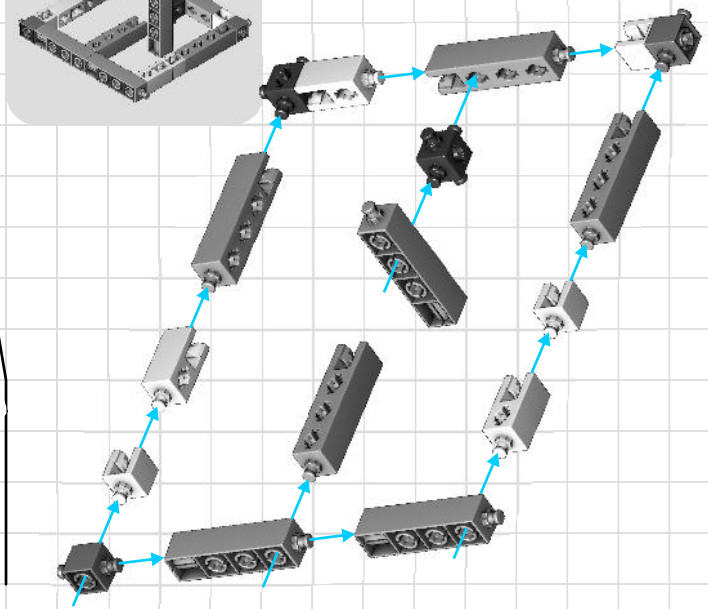
01



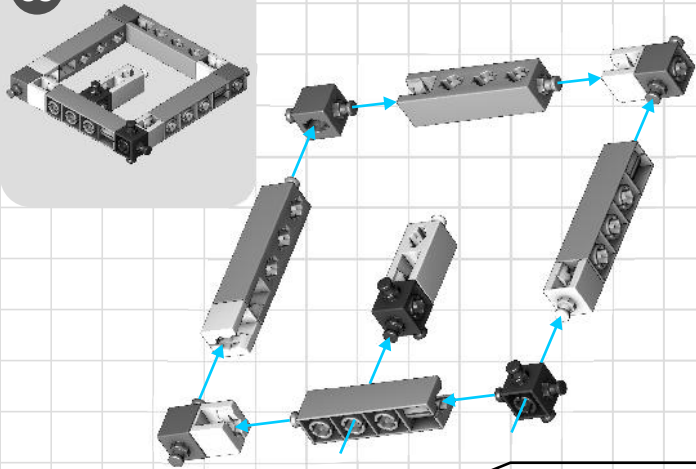
04



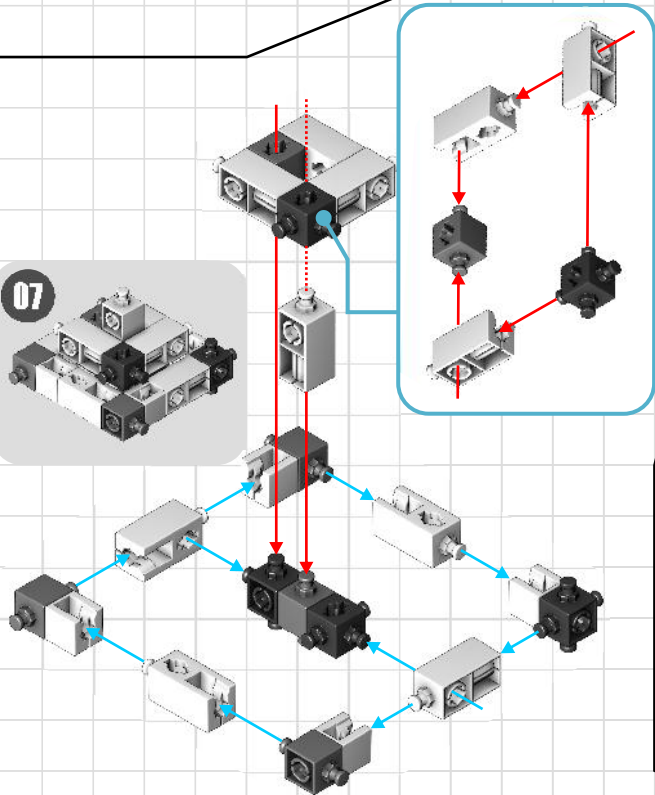
05



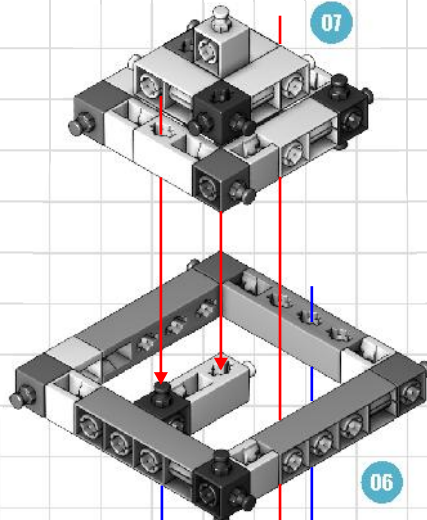
06



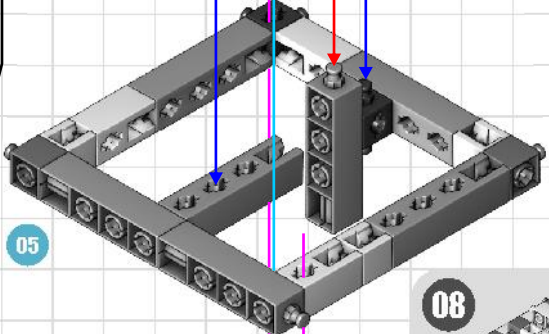
07



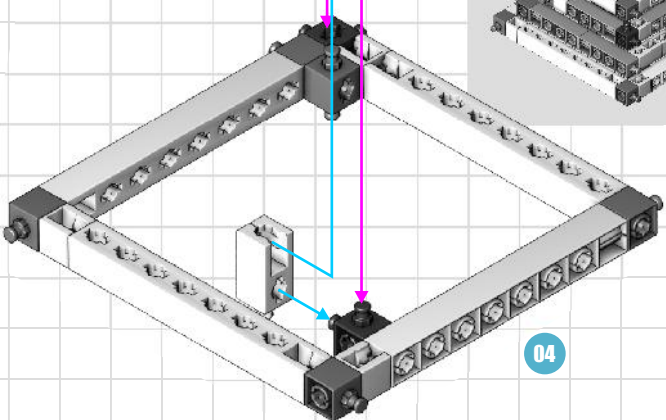
07



06

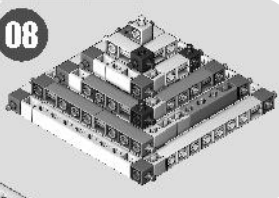


05

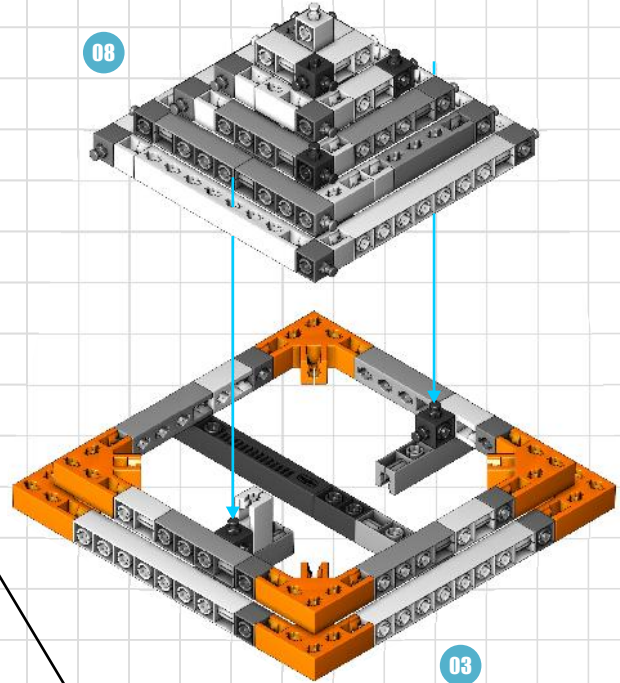


04

08

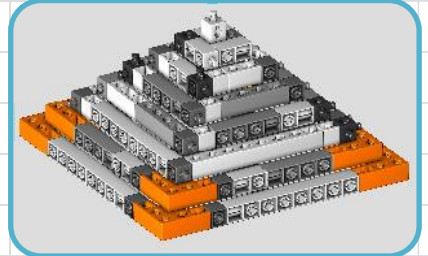


08

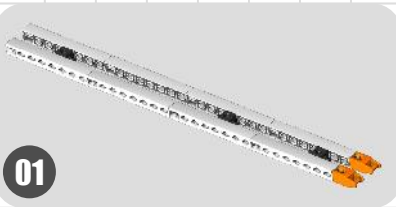
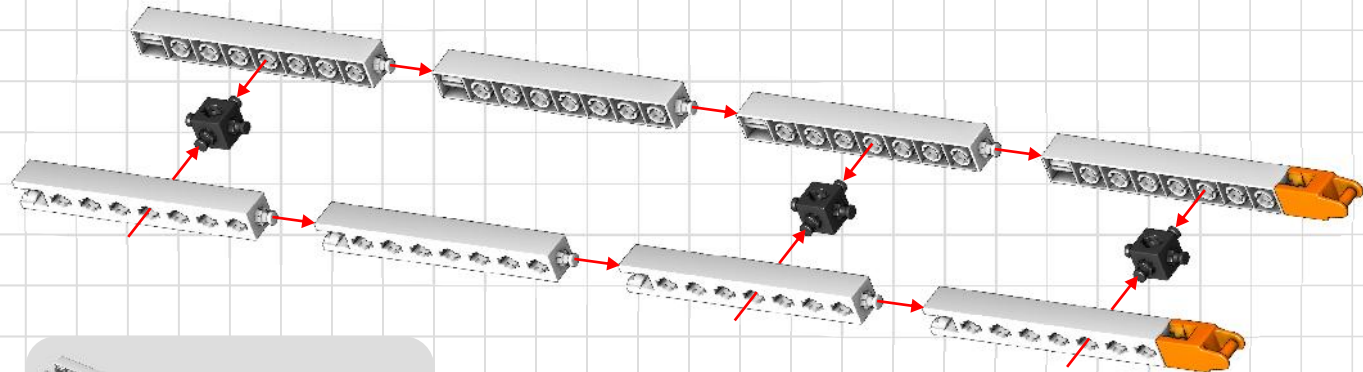
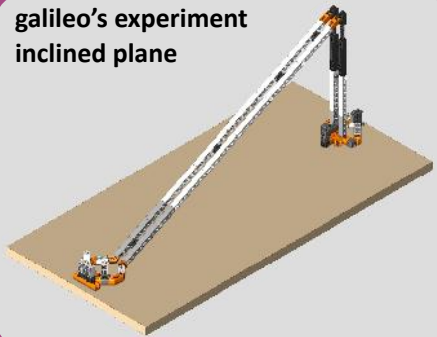


03

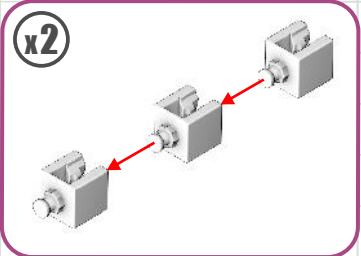
02



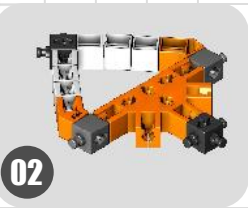
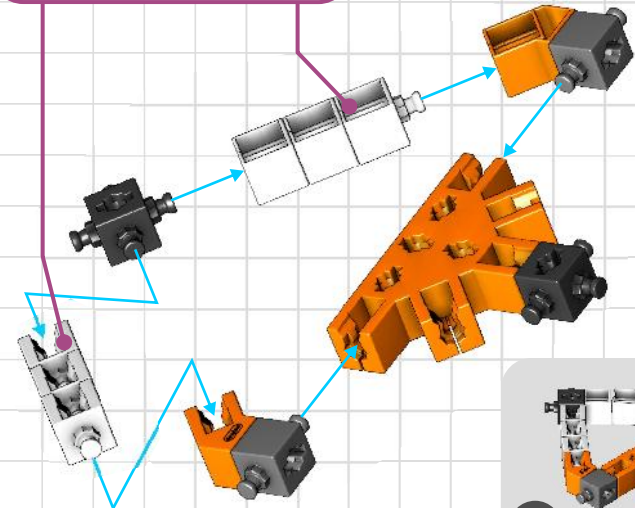
galileo's experiment
inclined plane



01



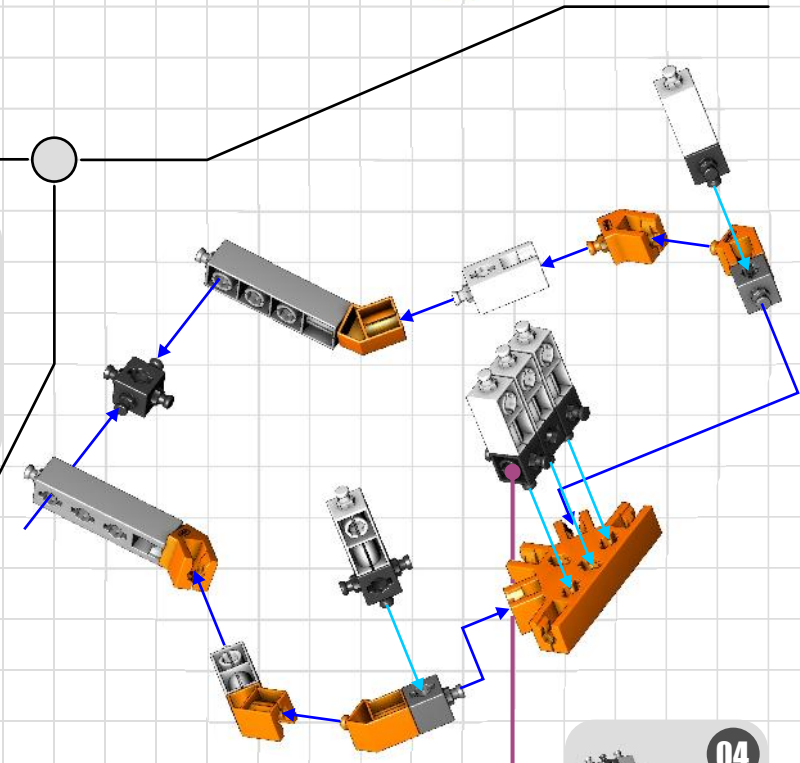
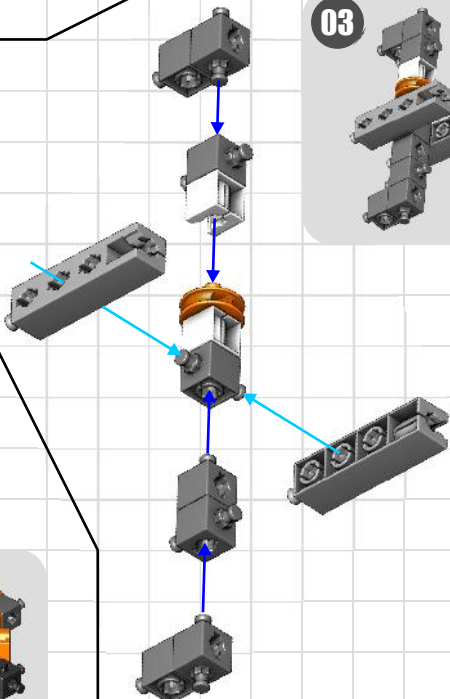
x2



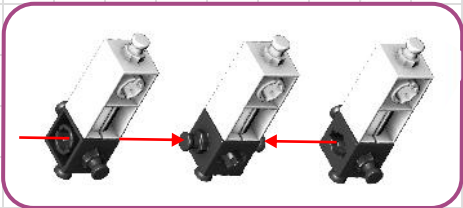
02

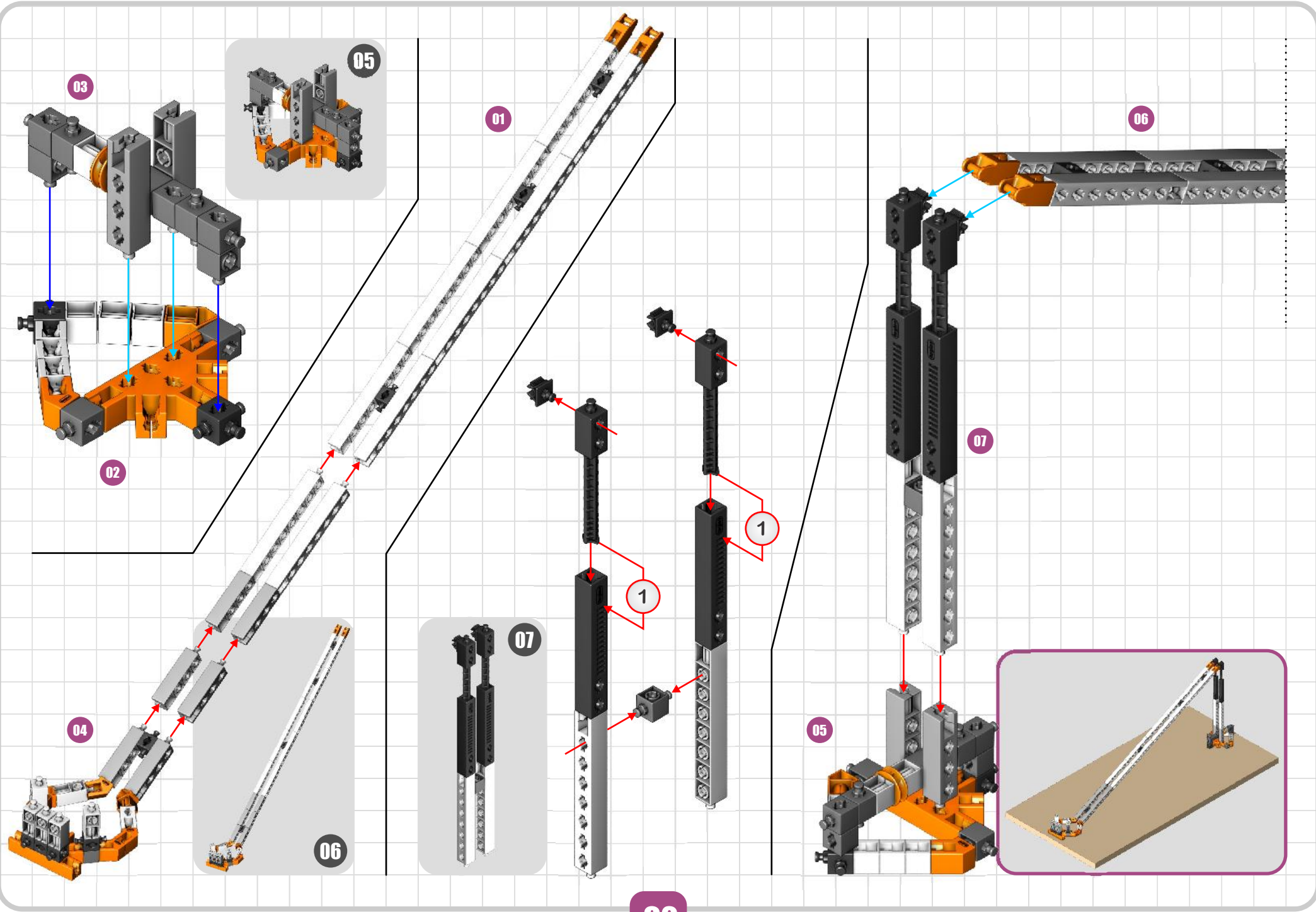


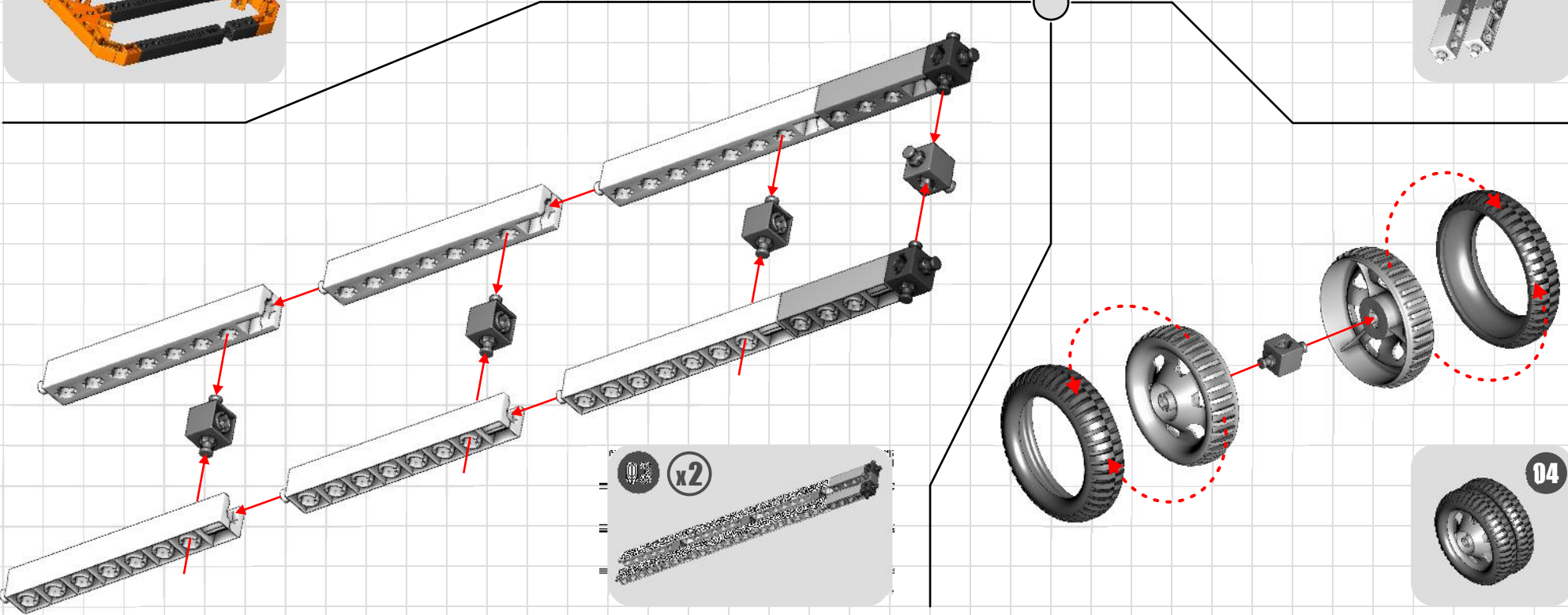
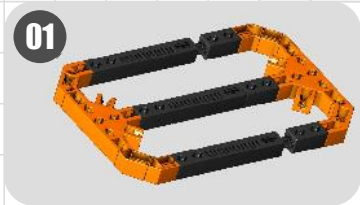
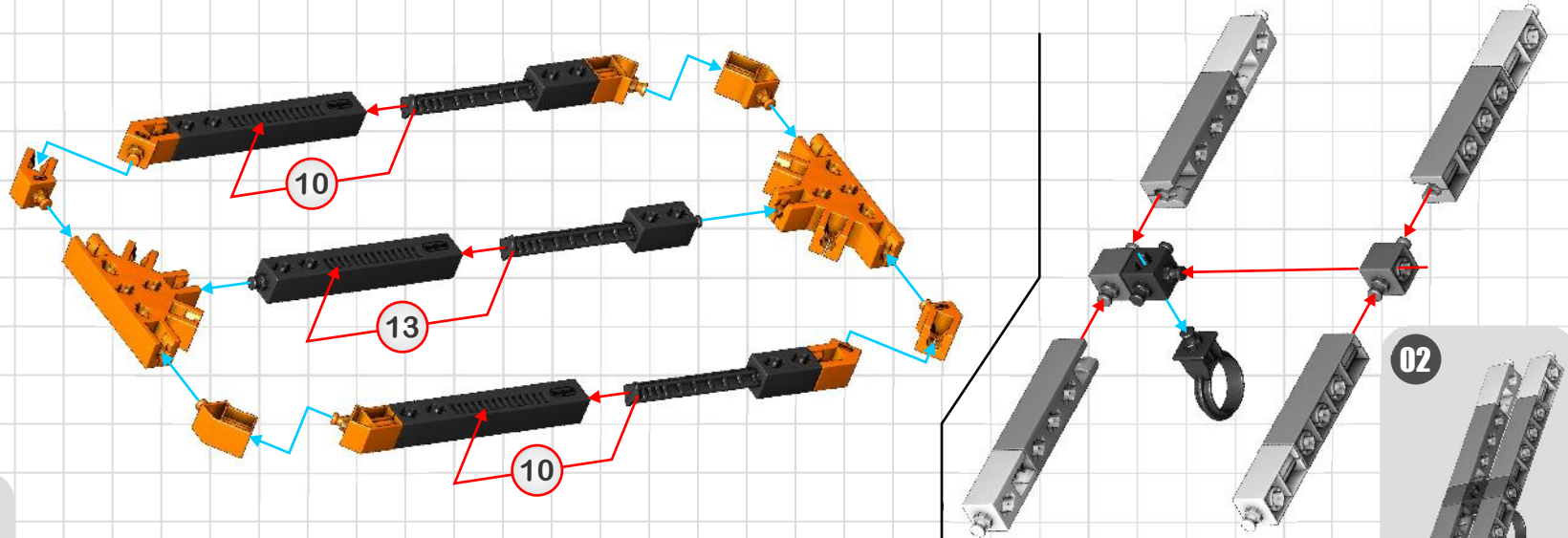
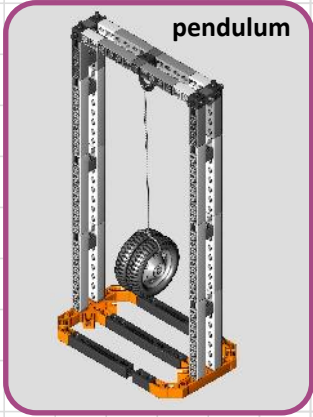
03

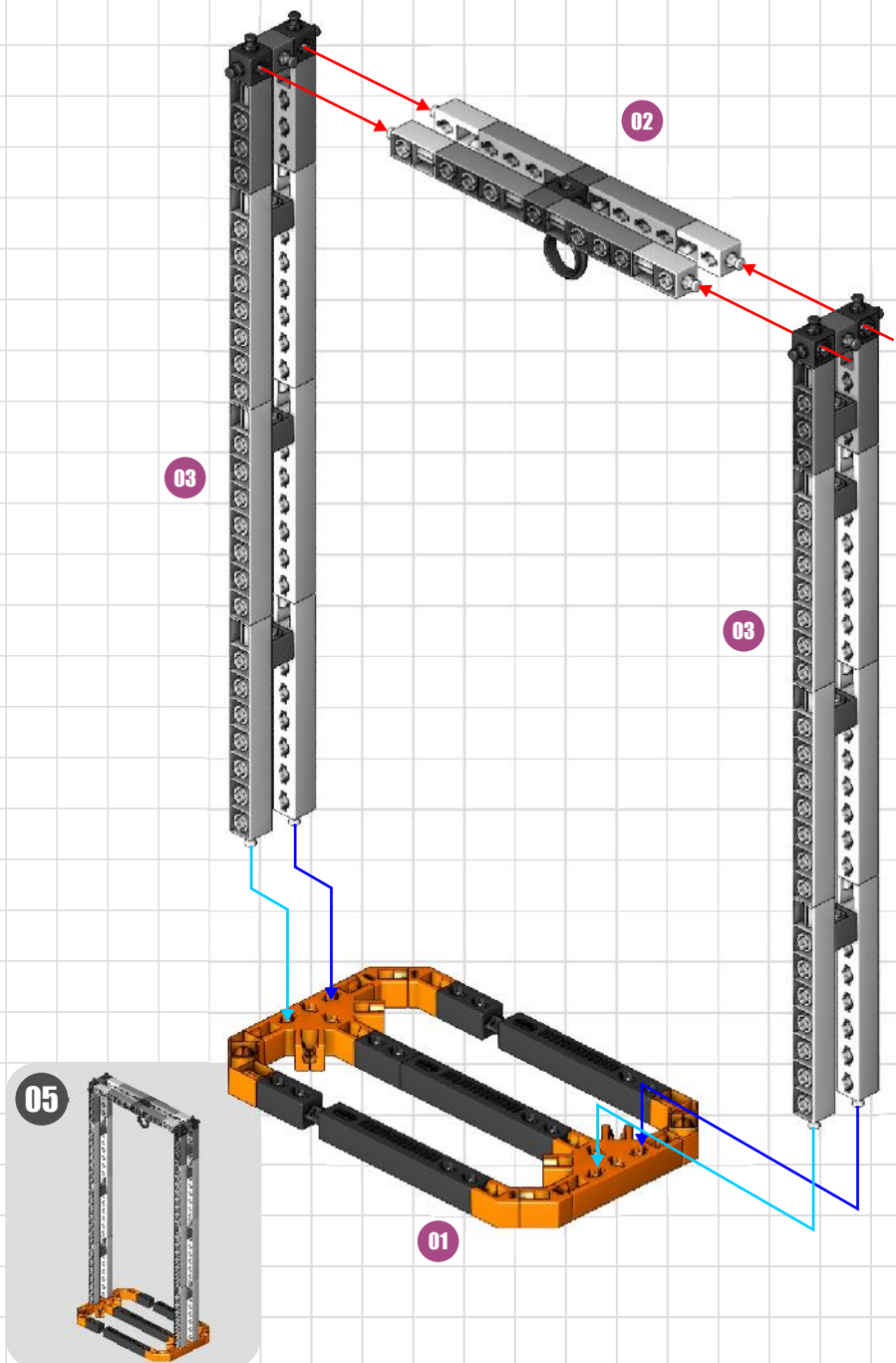


04

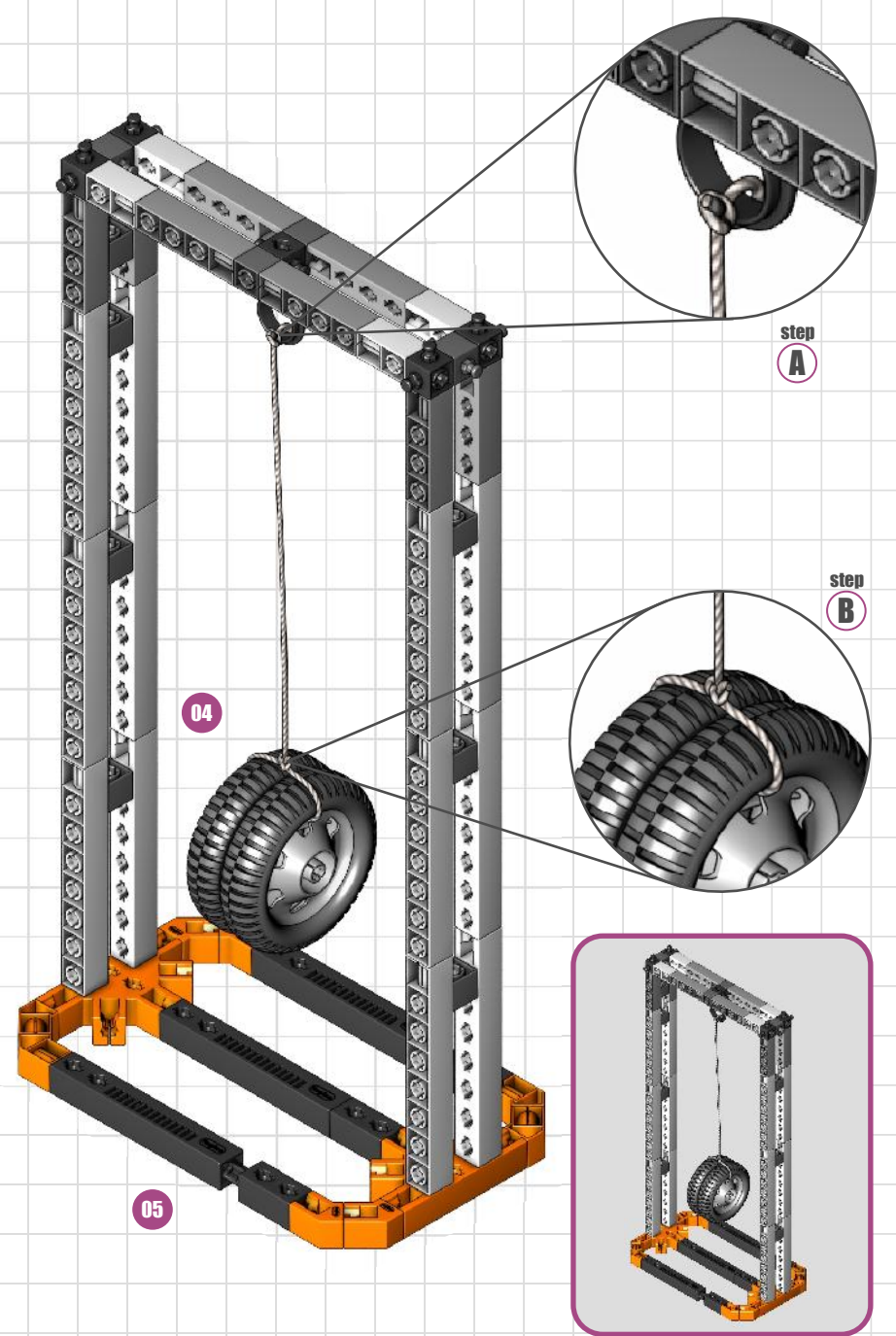


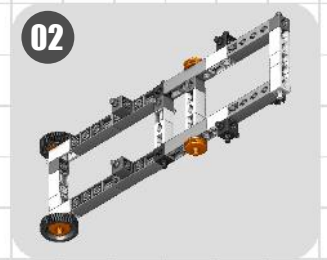
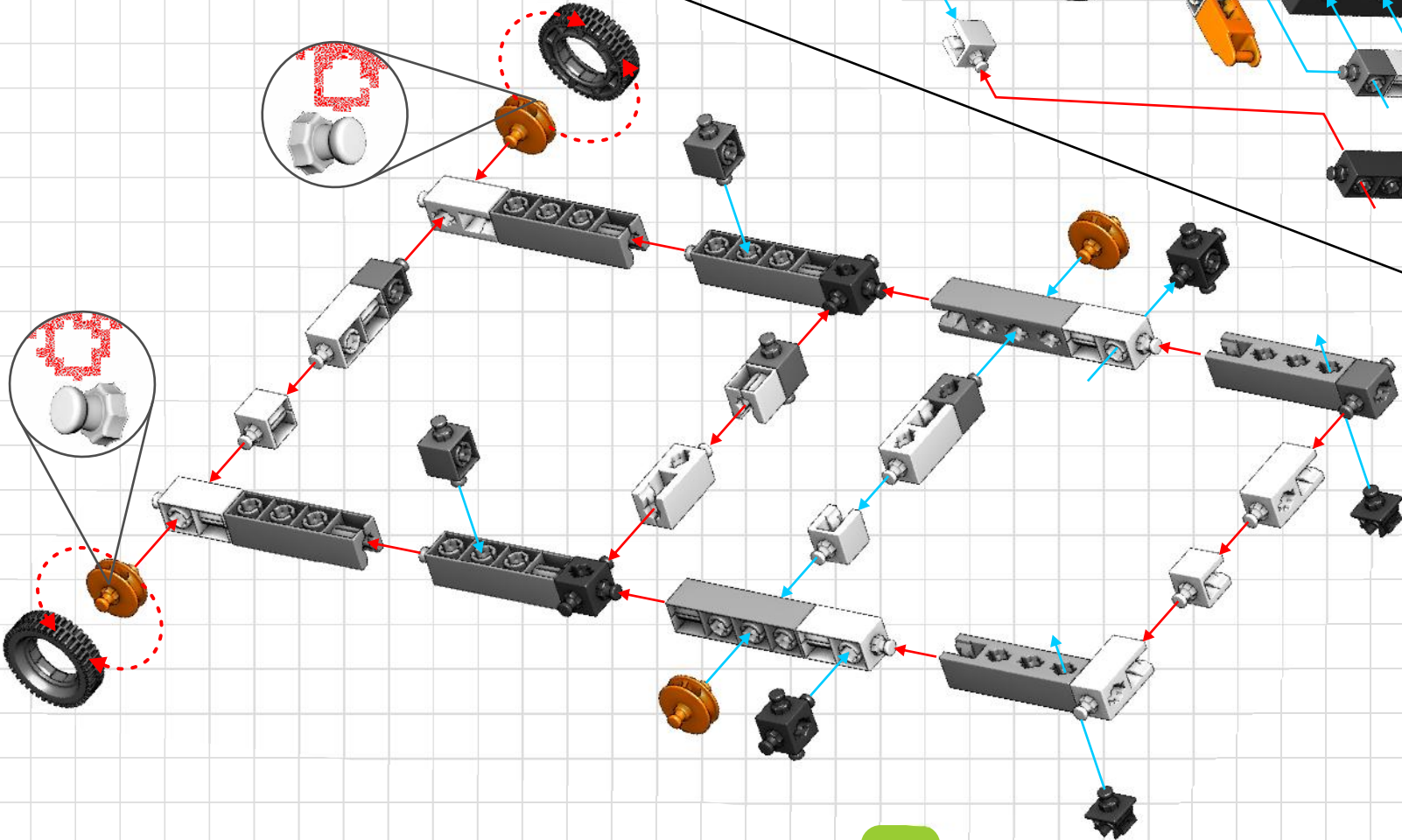
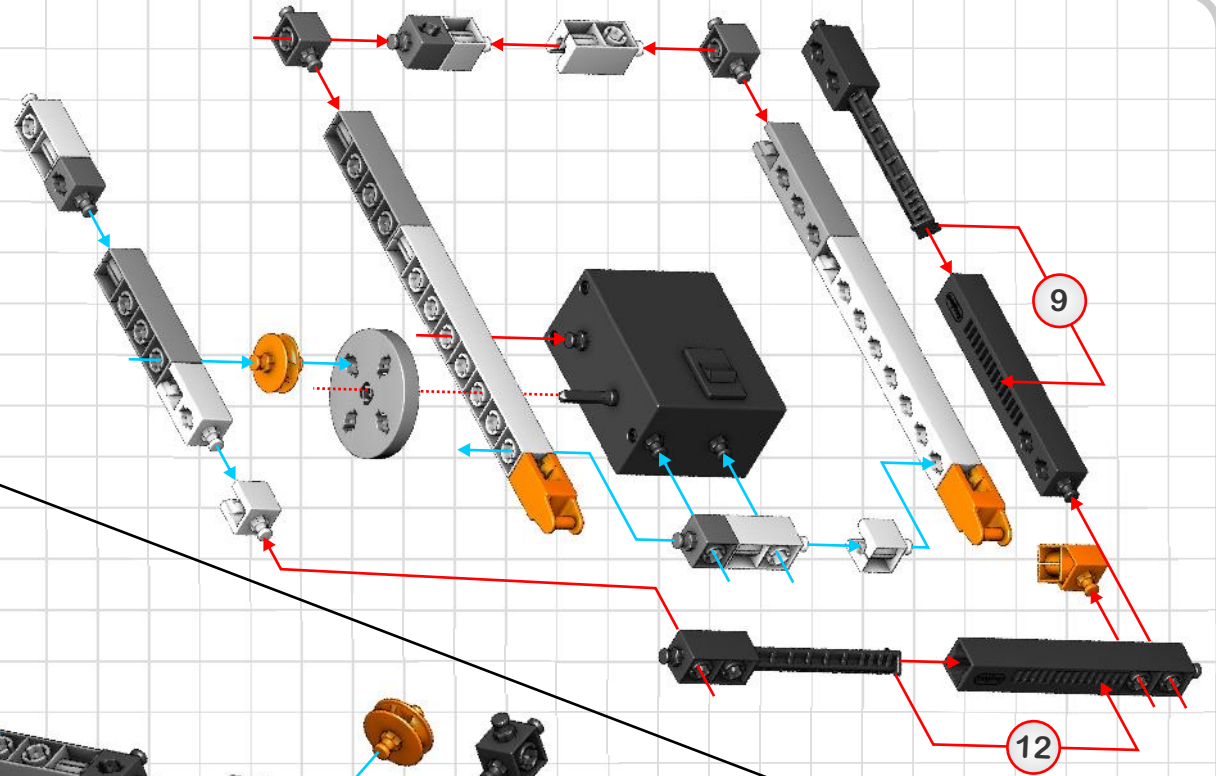
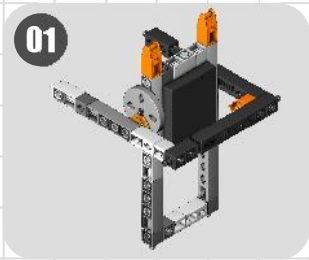
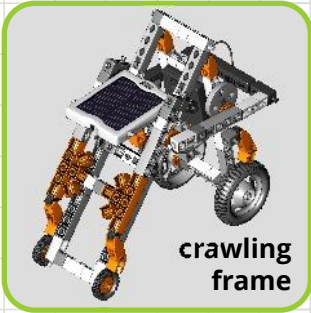


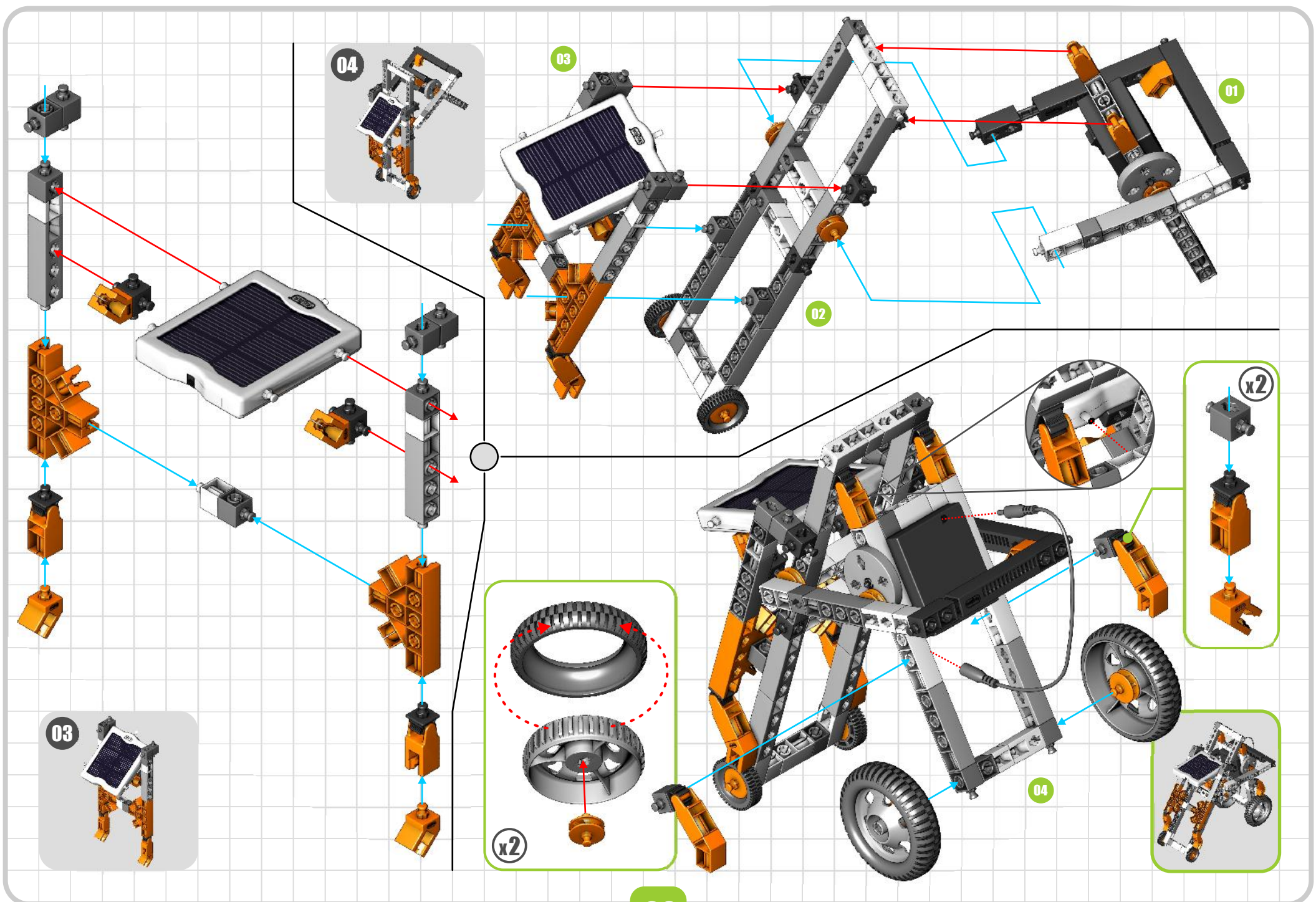




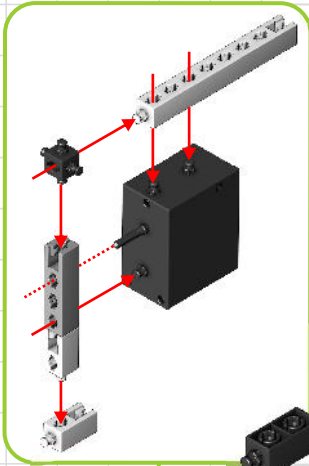
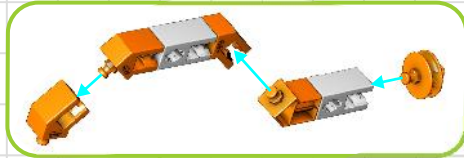
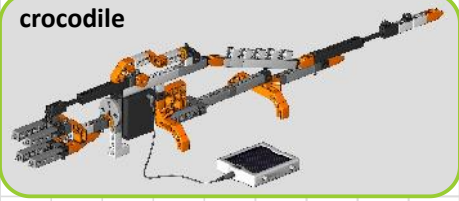
02



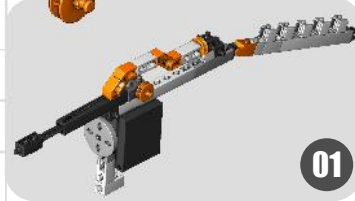




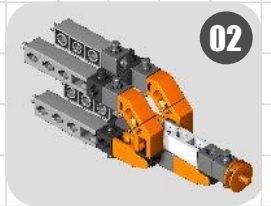
crocodile



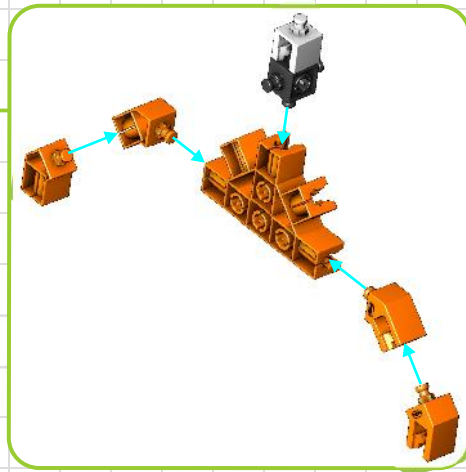
4



01

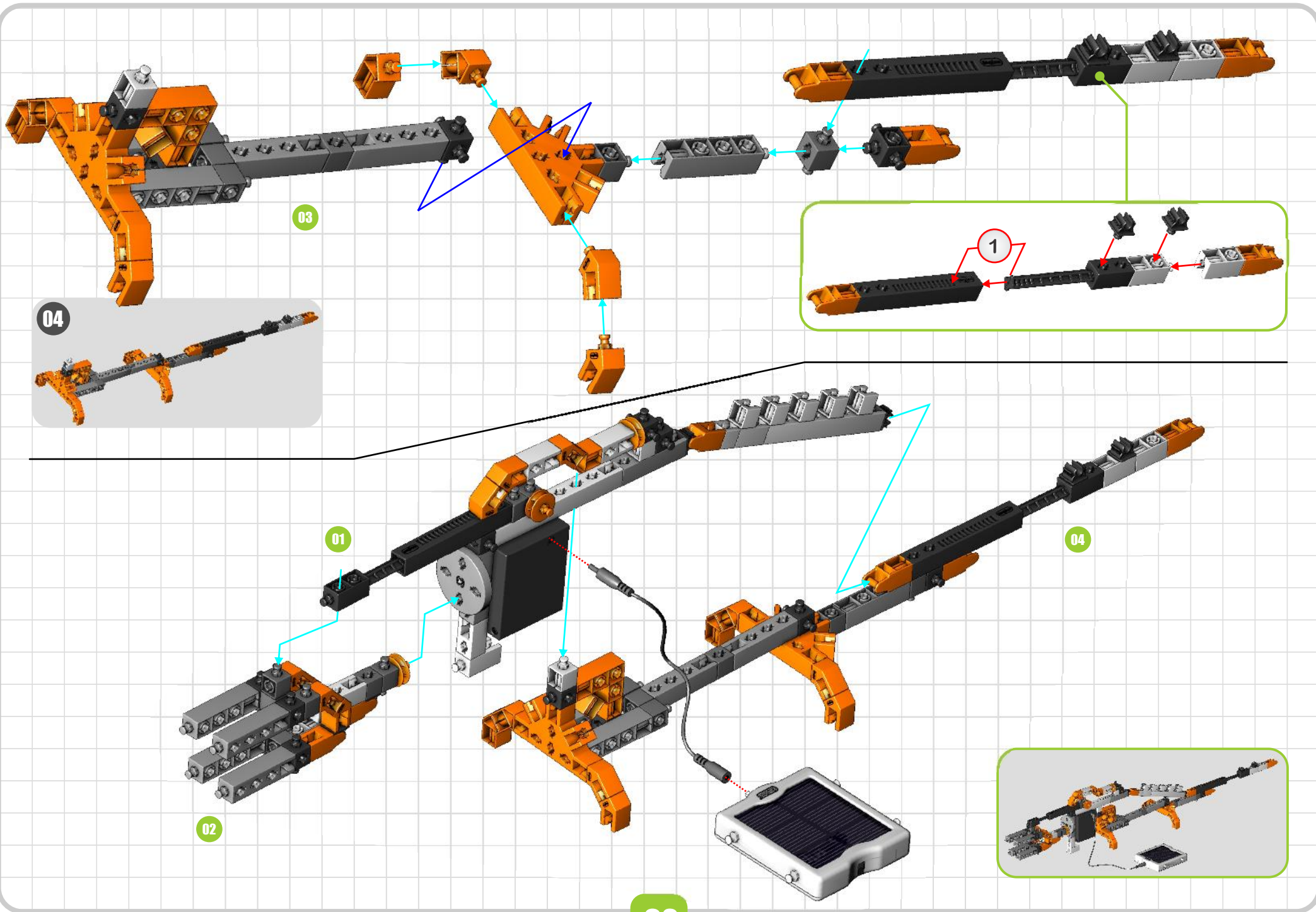


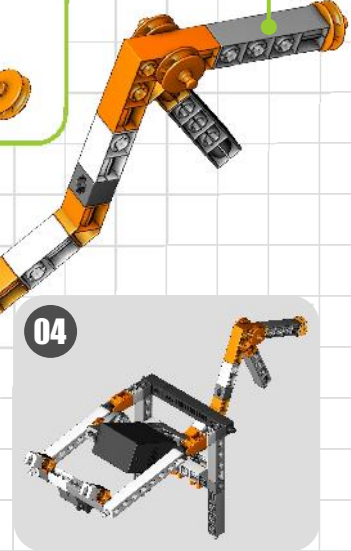
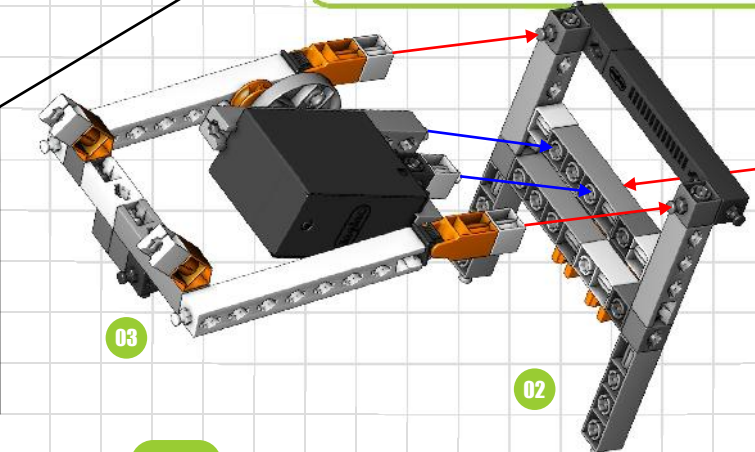
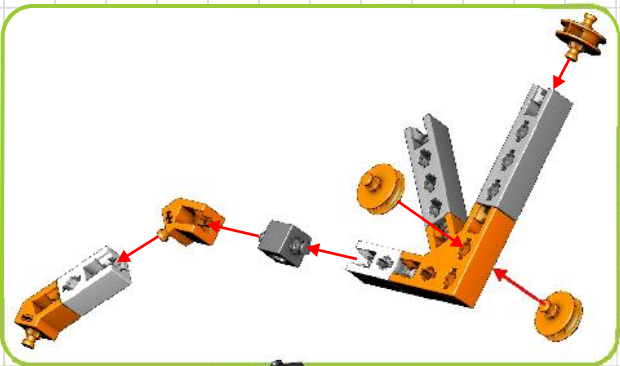
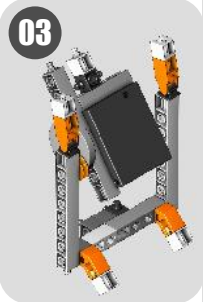
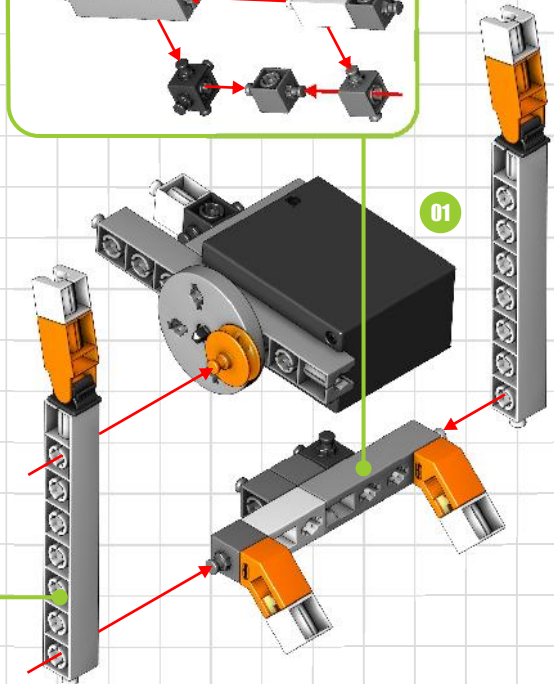
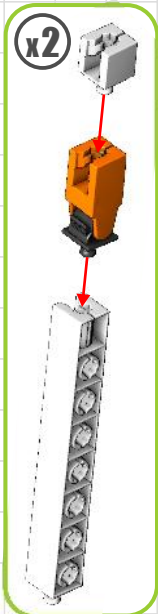
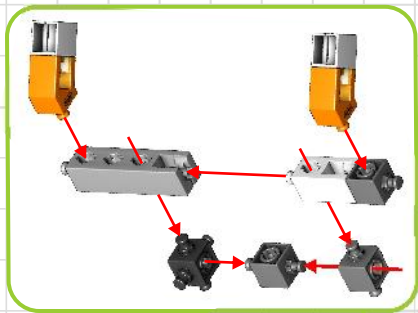
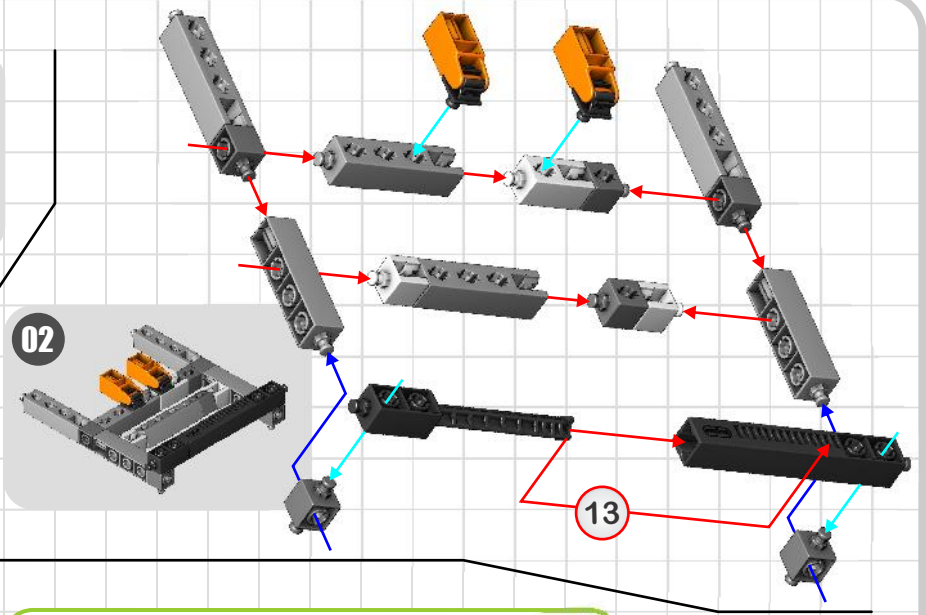
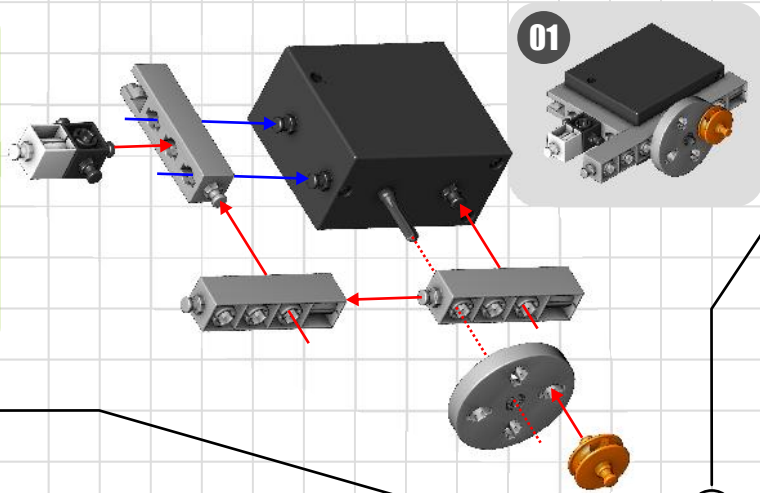
02



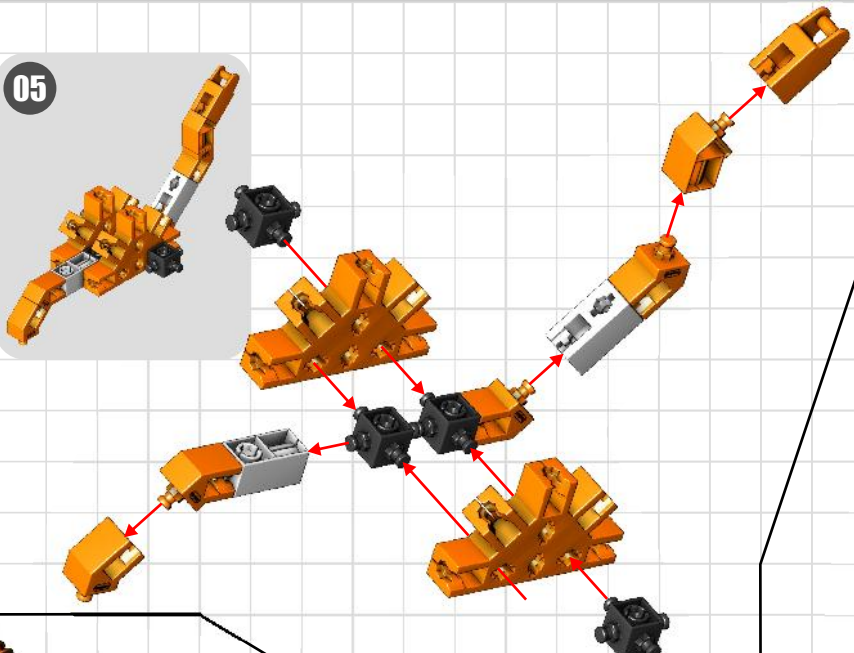
03

01

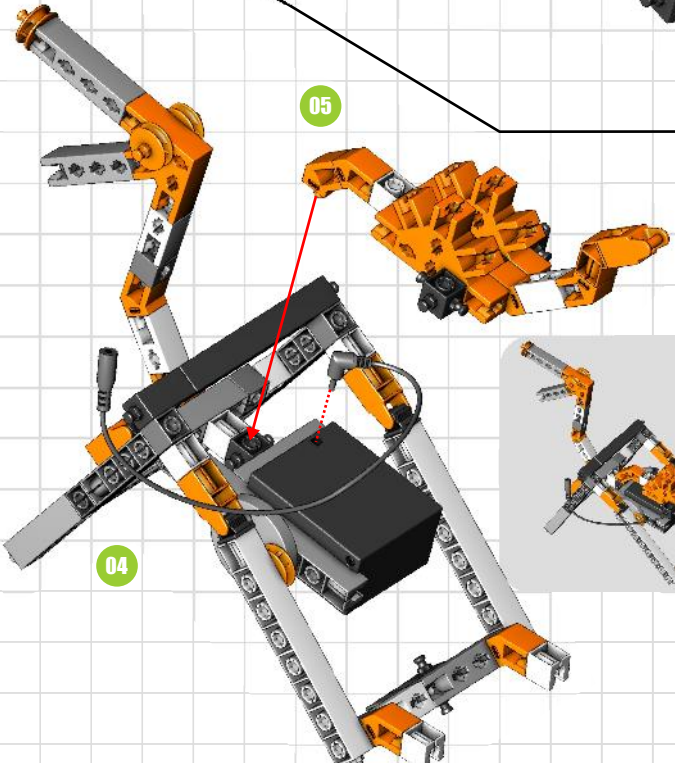




05

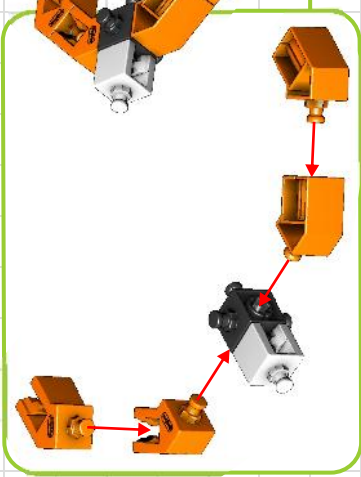
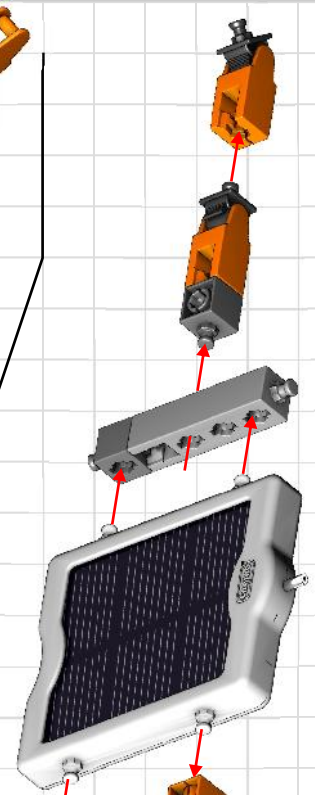


05

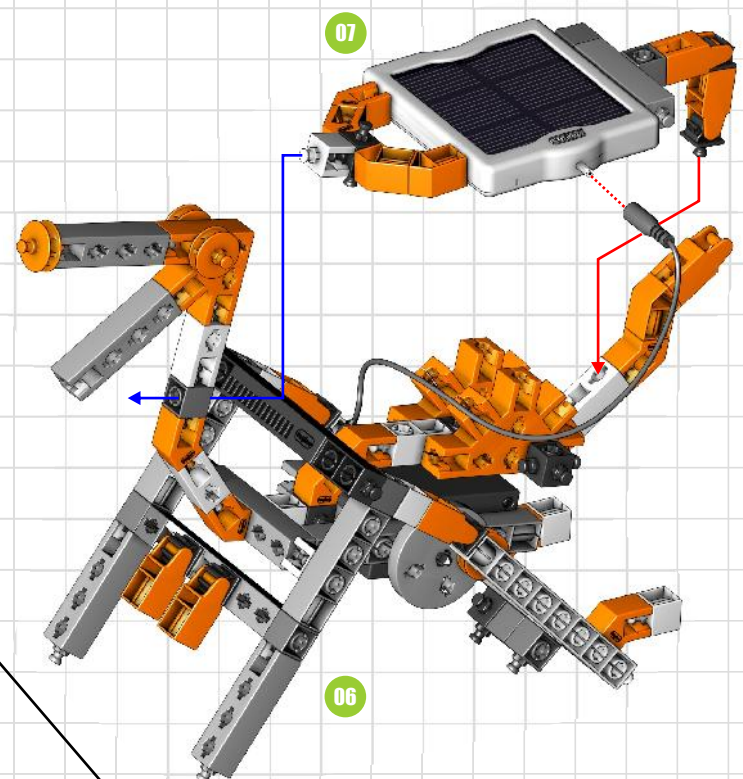


04

06



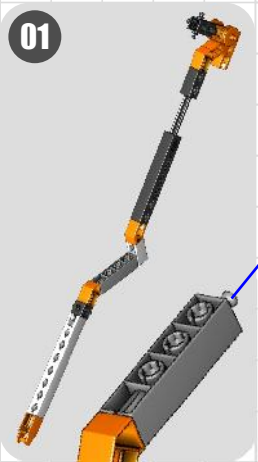
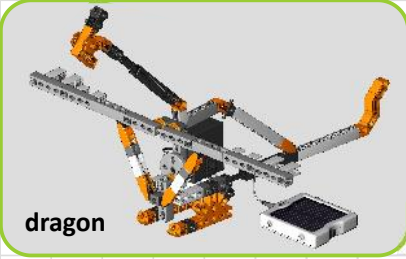
07



06

07

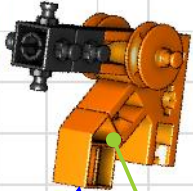
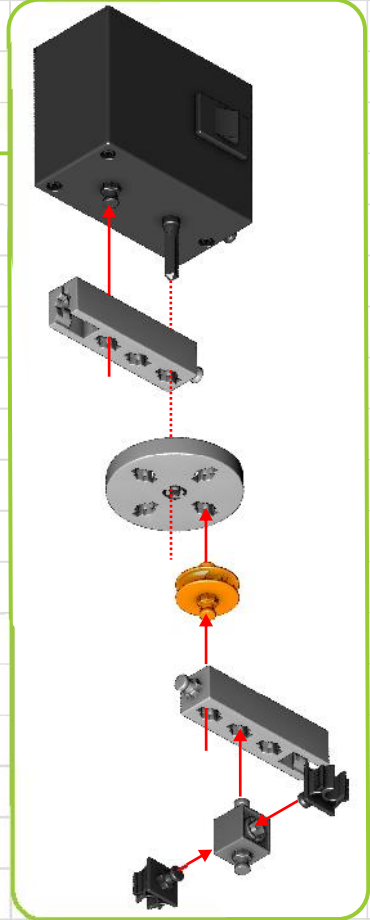




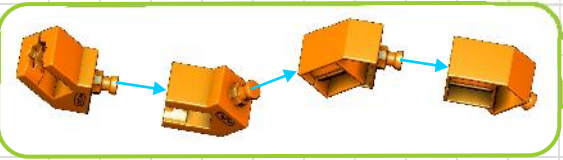
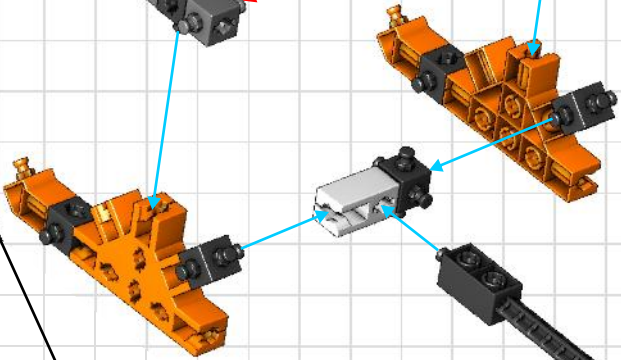
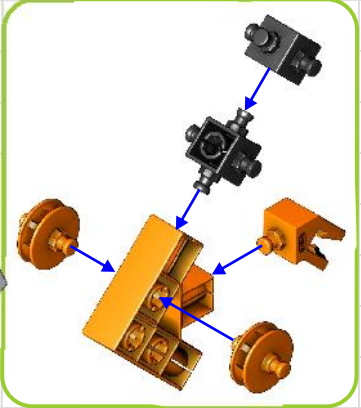
01



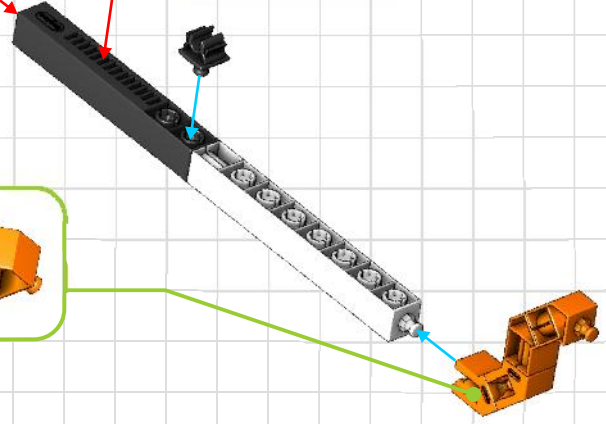
02



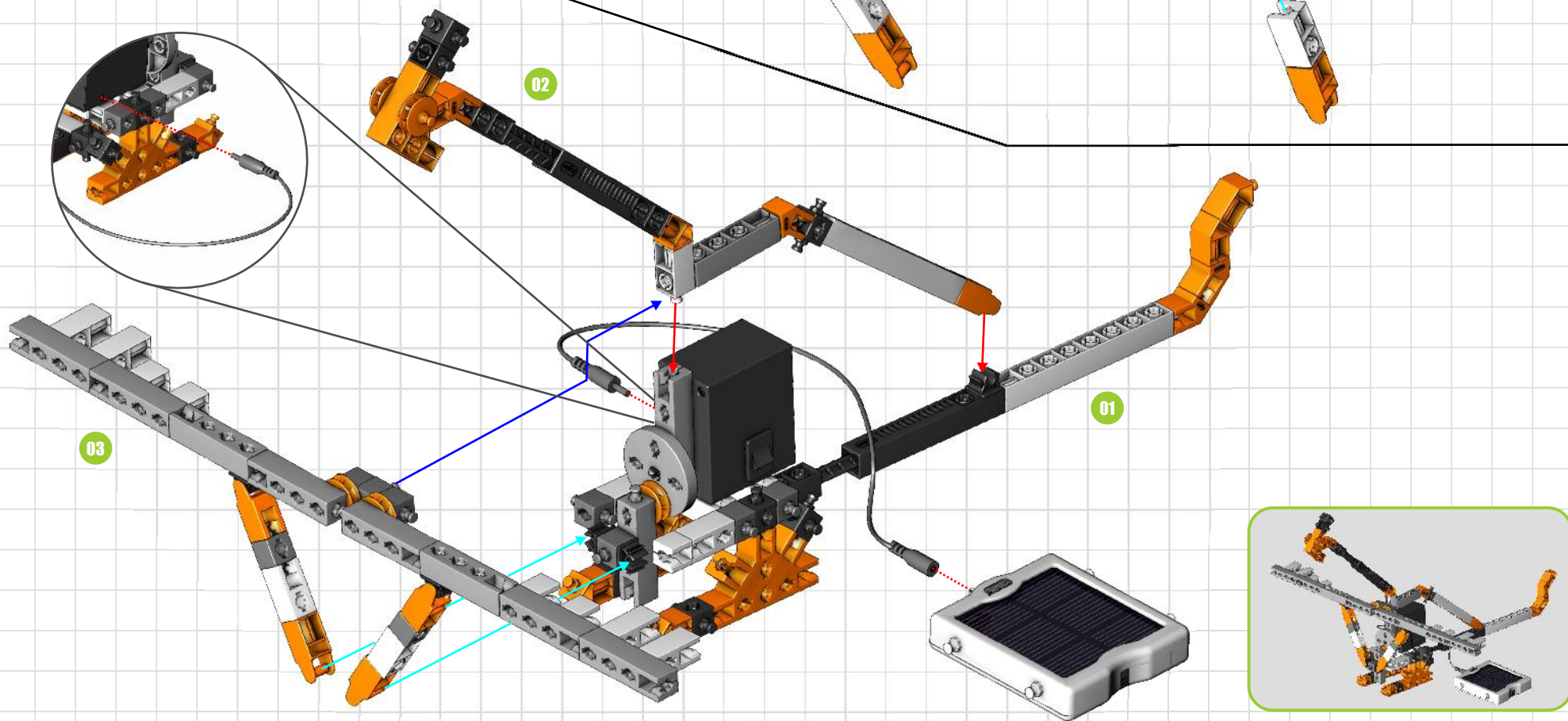
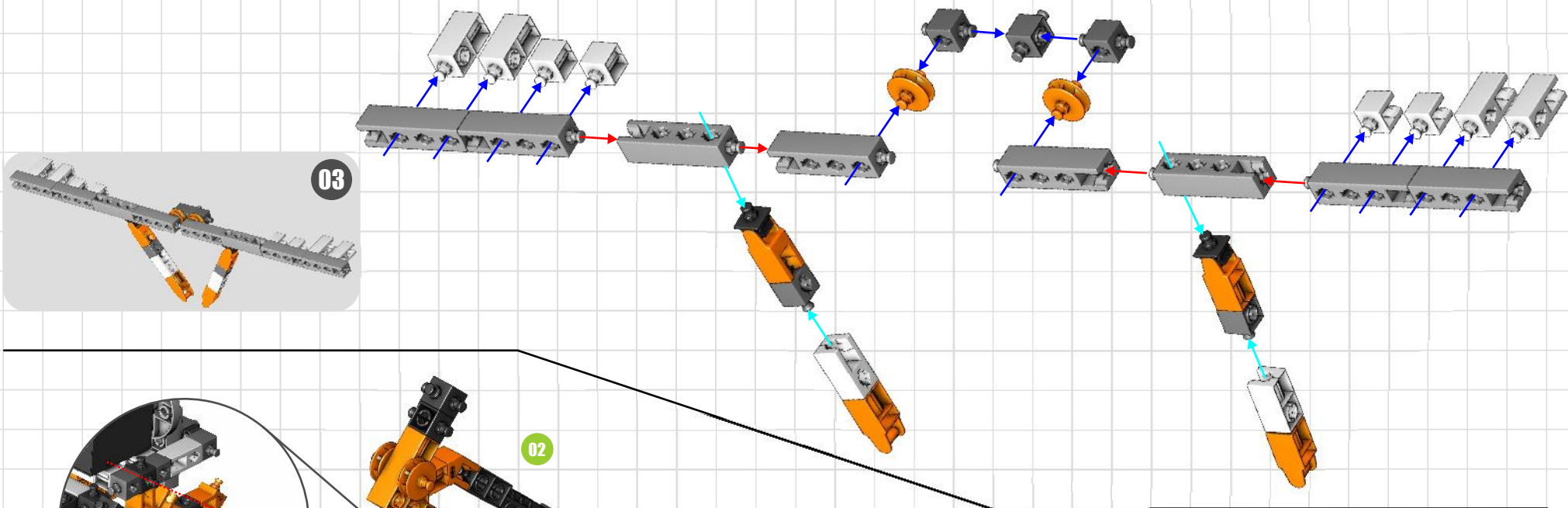
1

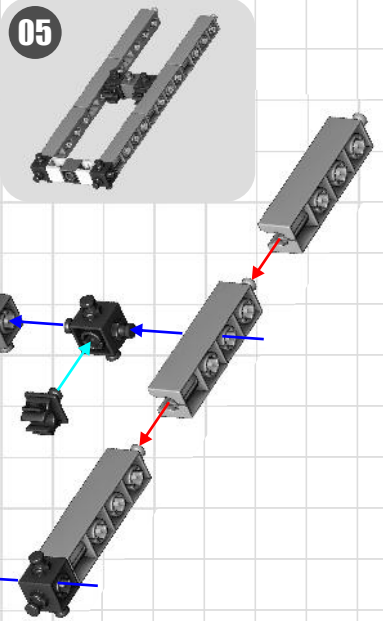
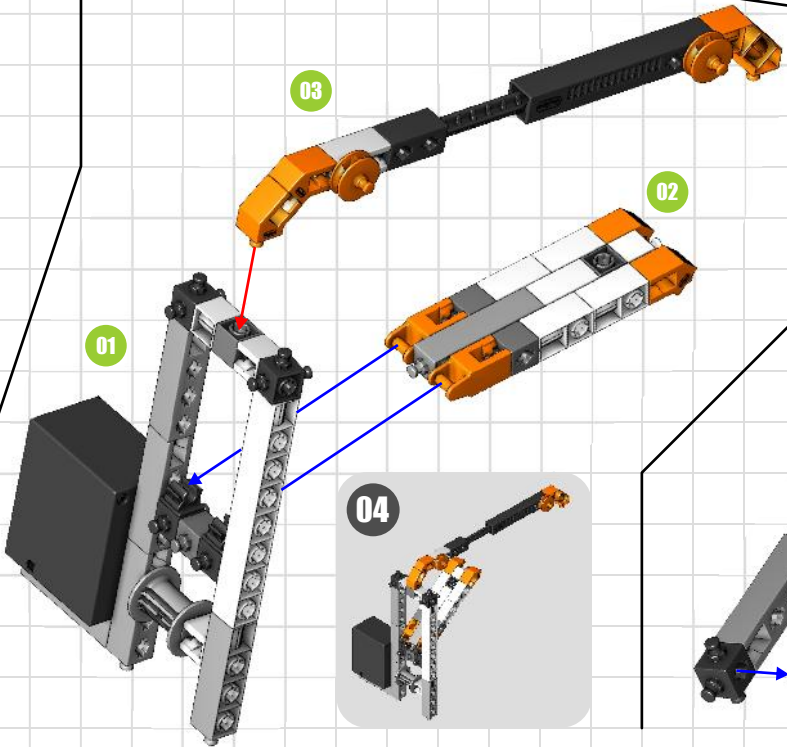
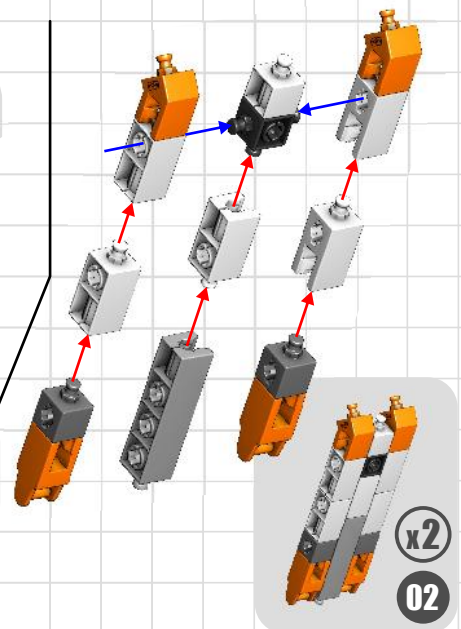
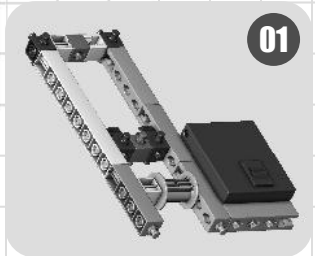
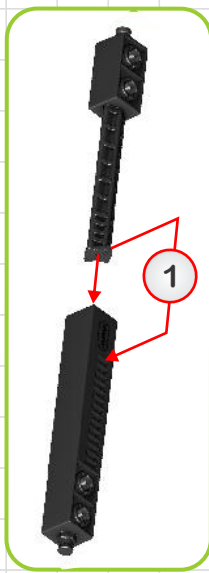
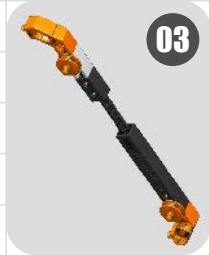
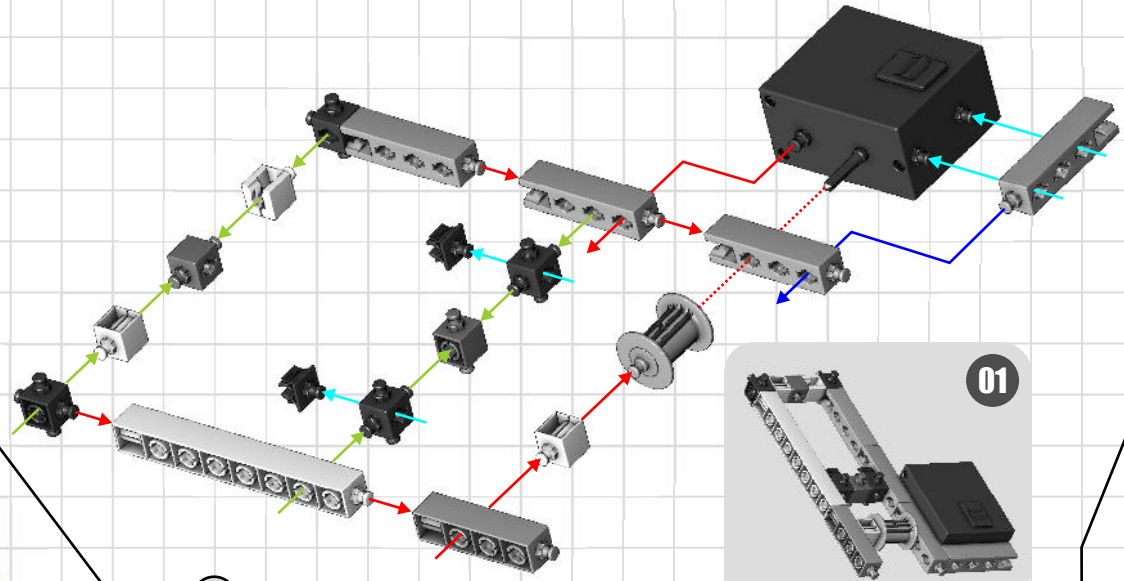
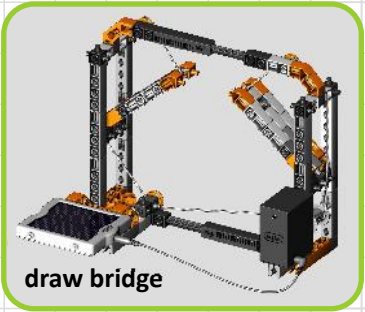


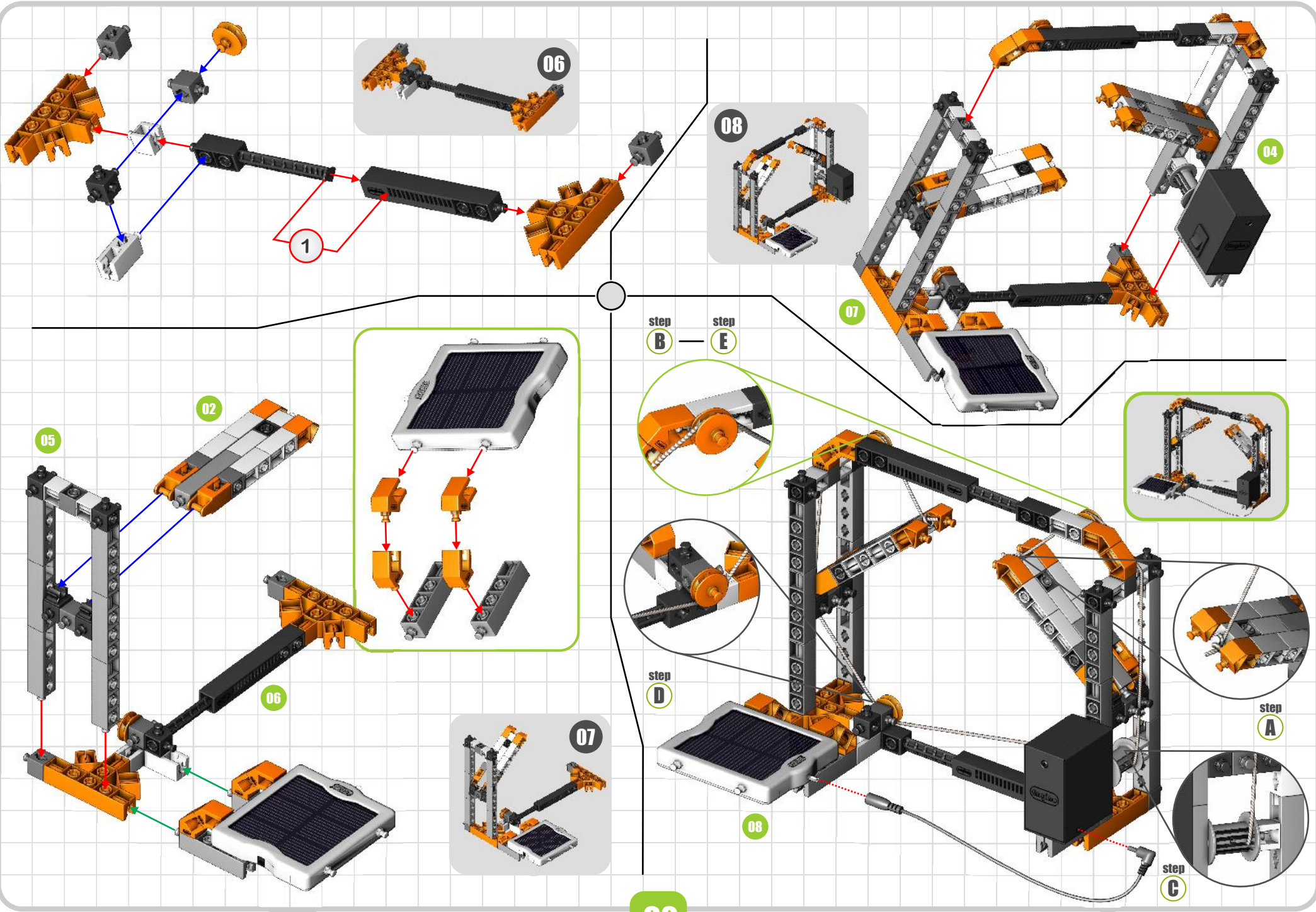
6



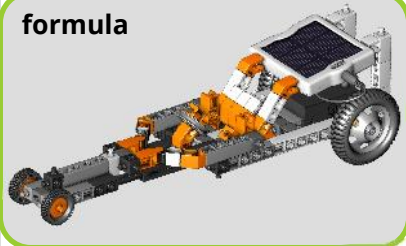
01







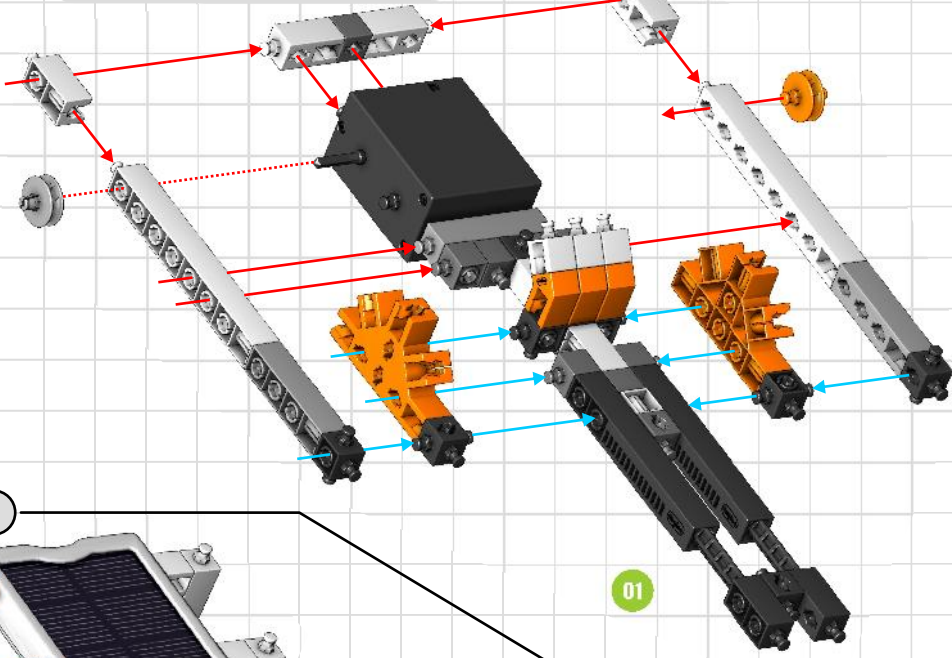
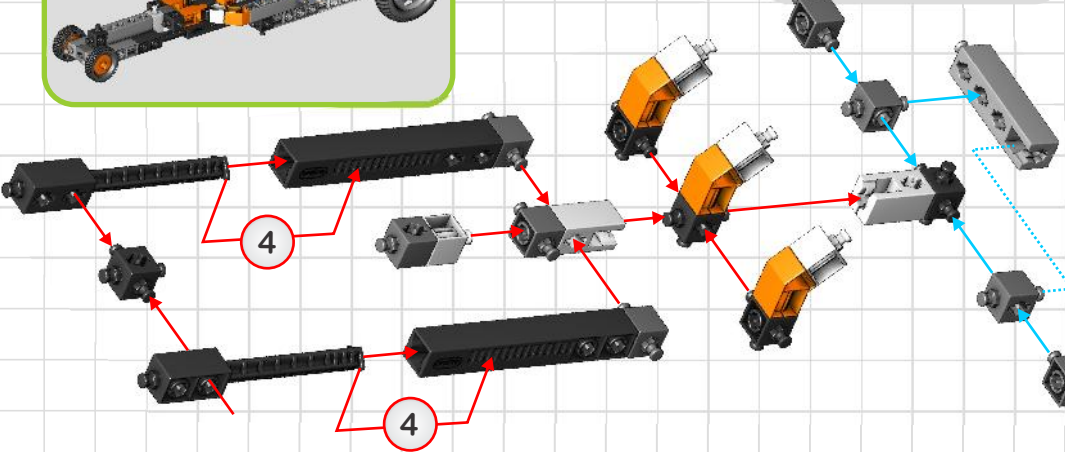
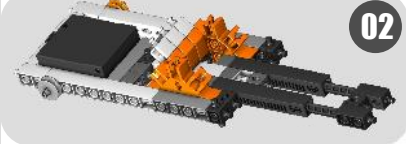
formula



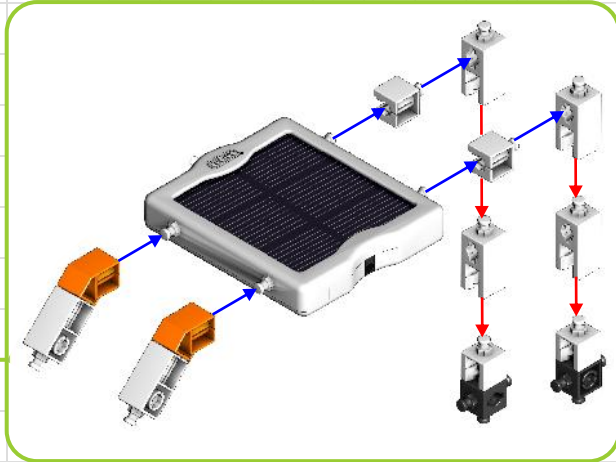
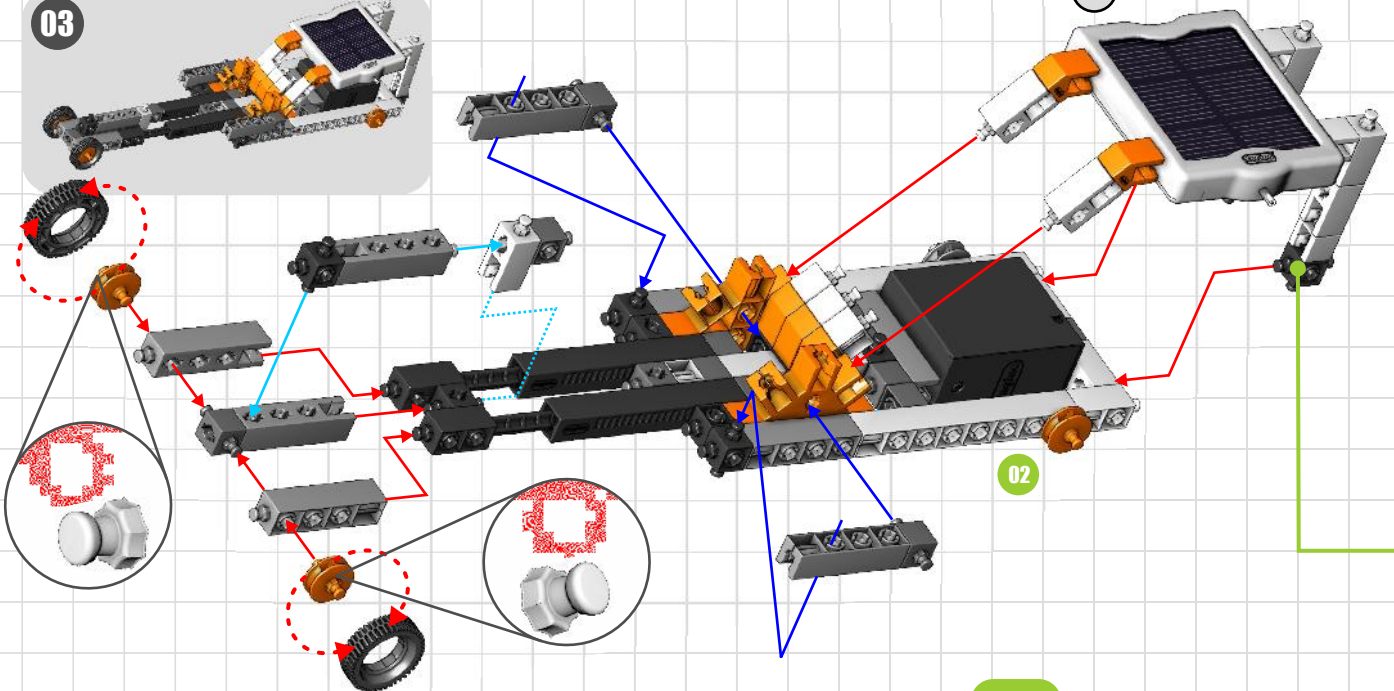
01



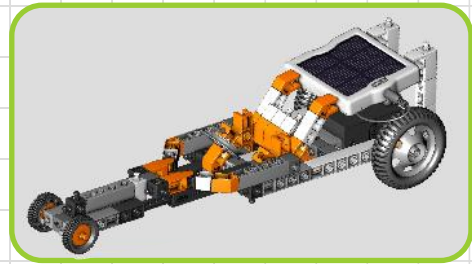
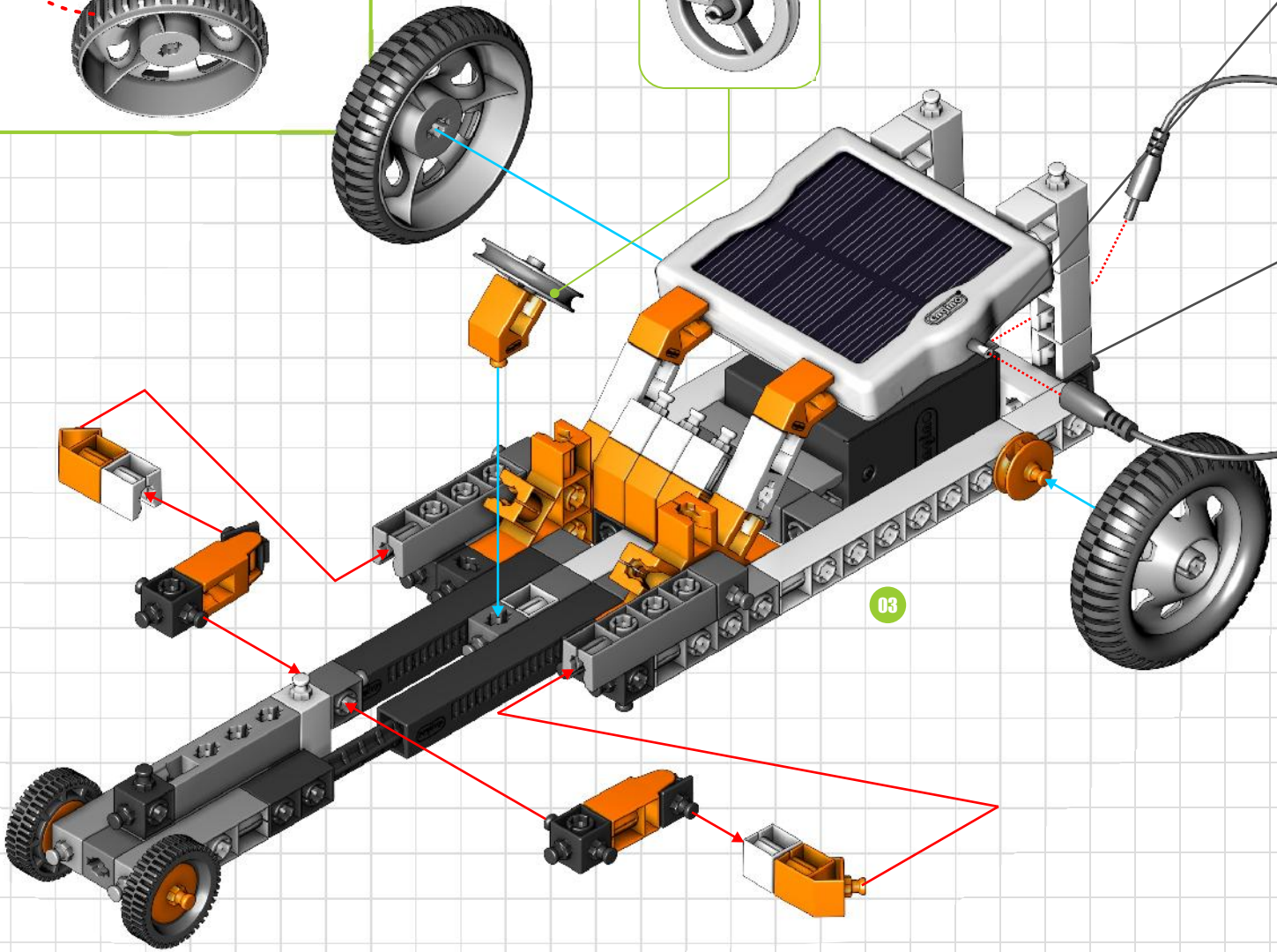
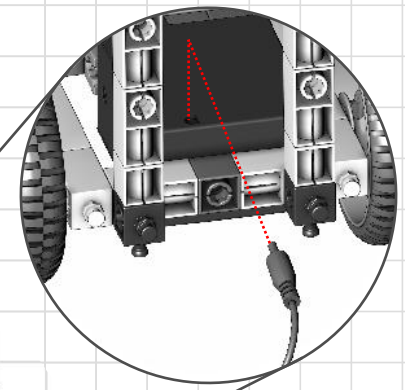
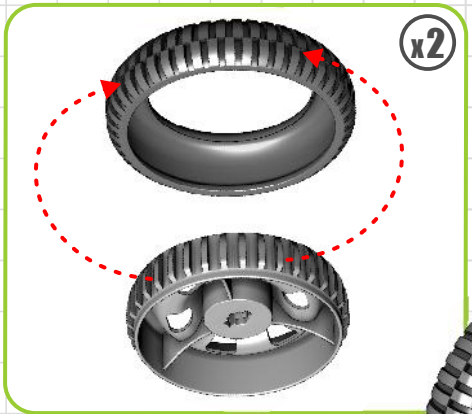
02

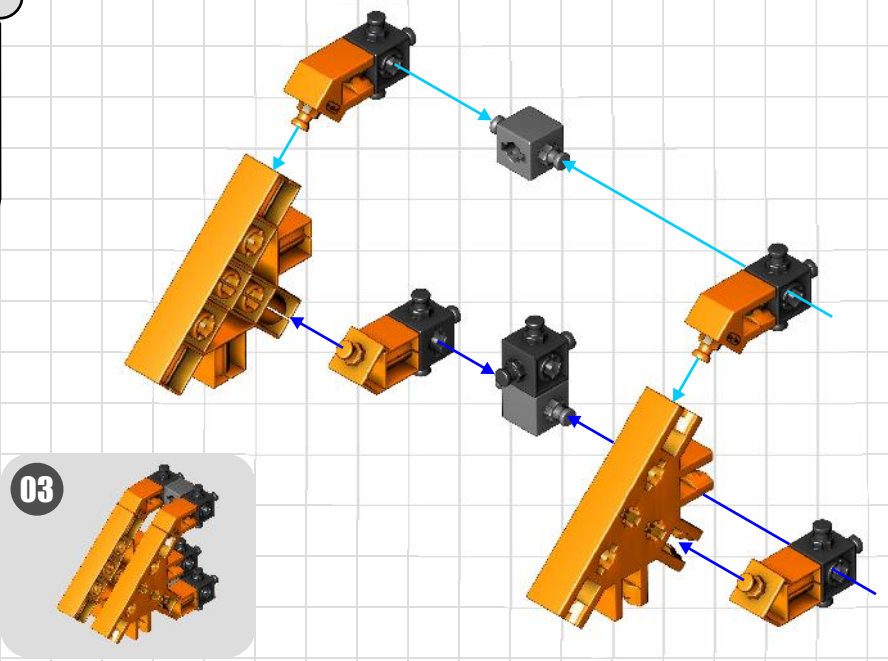
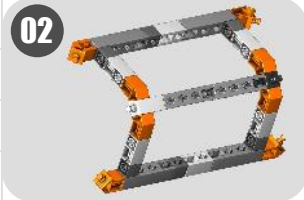
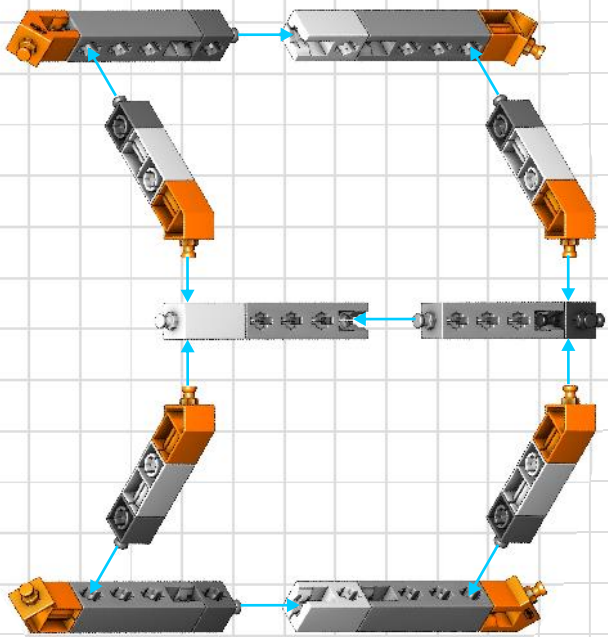
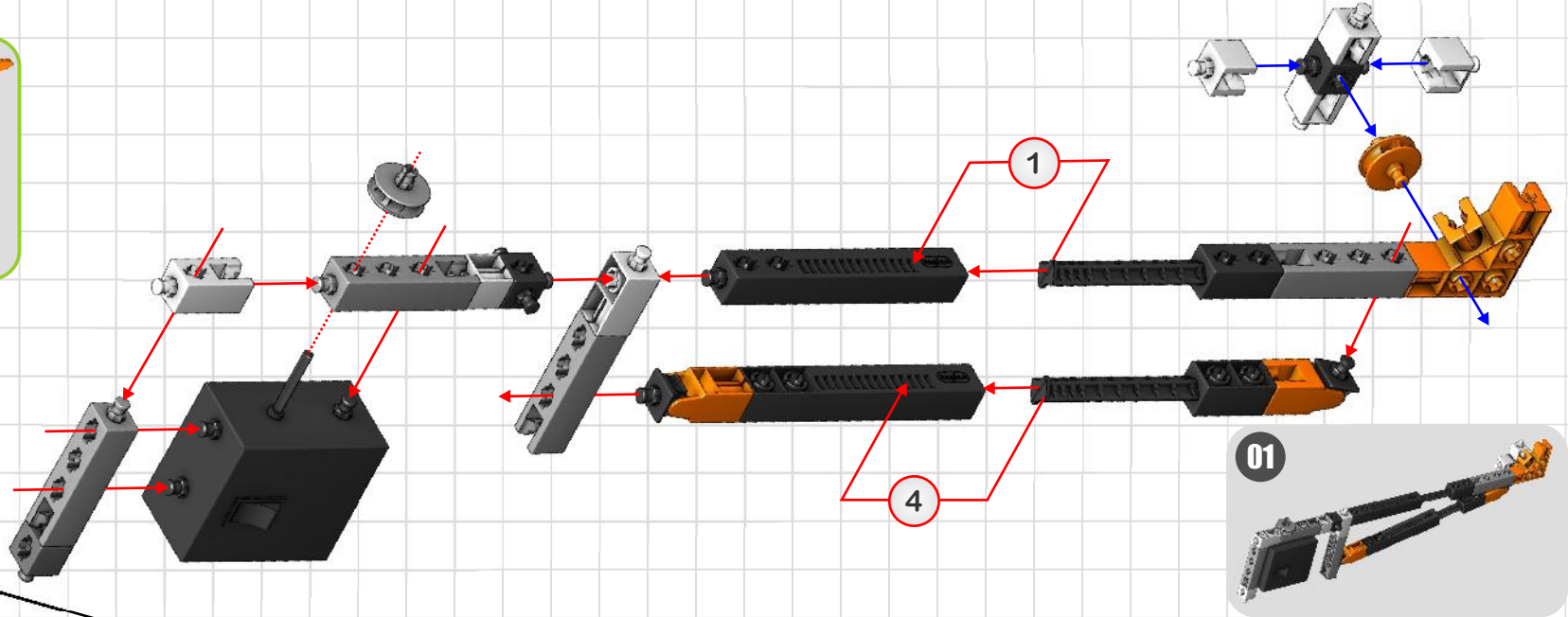


03

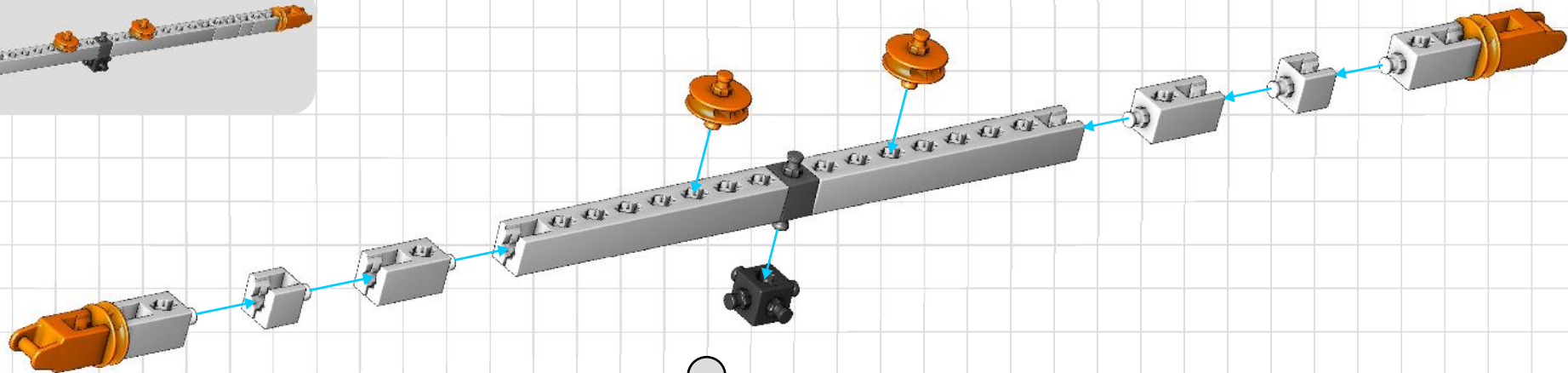


01

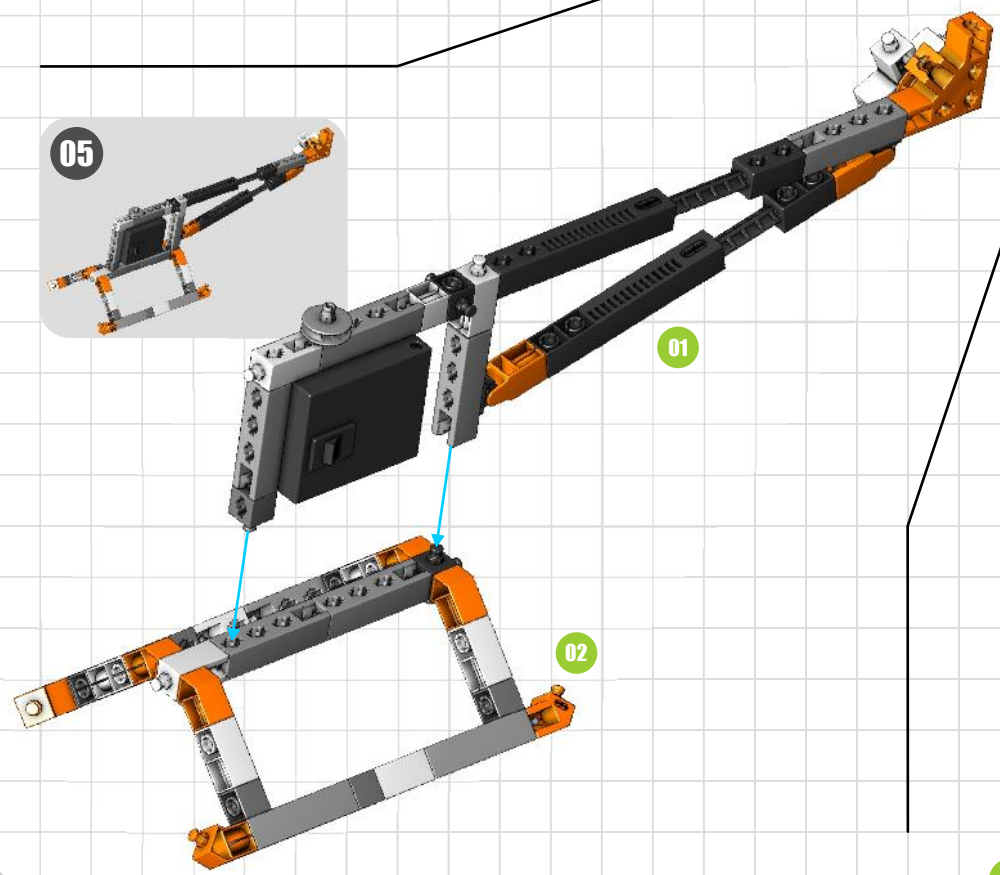
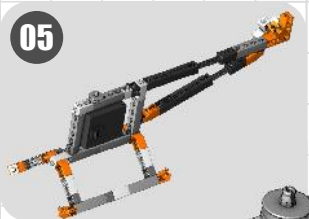




04



05



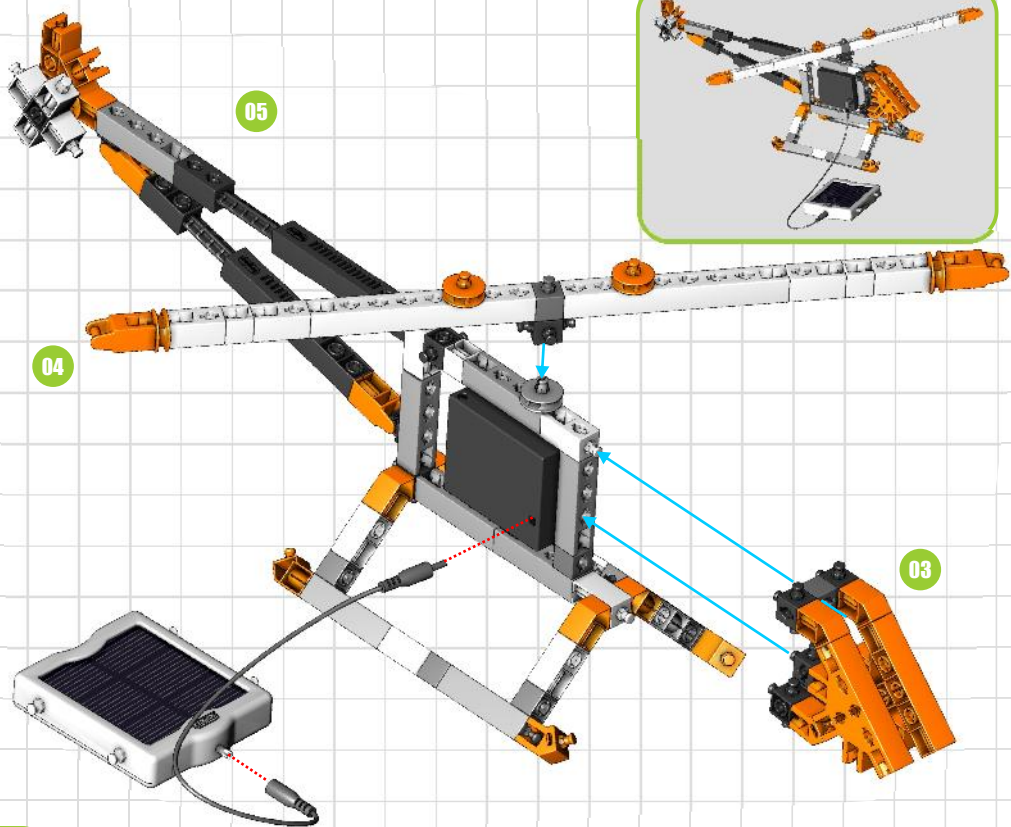
01

02

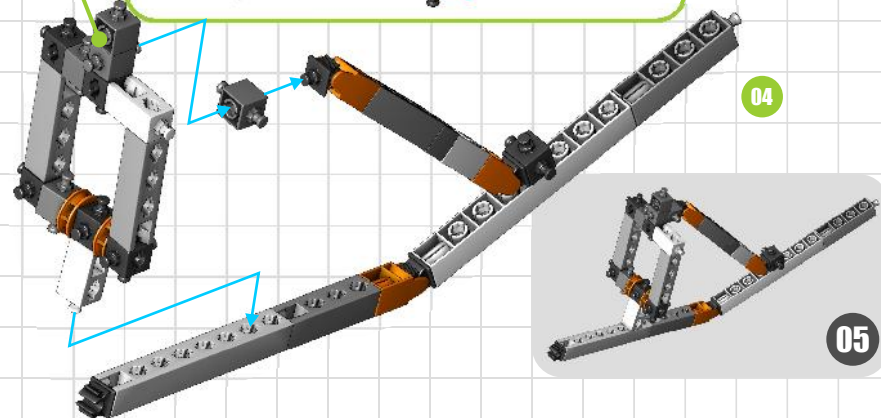
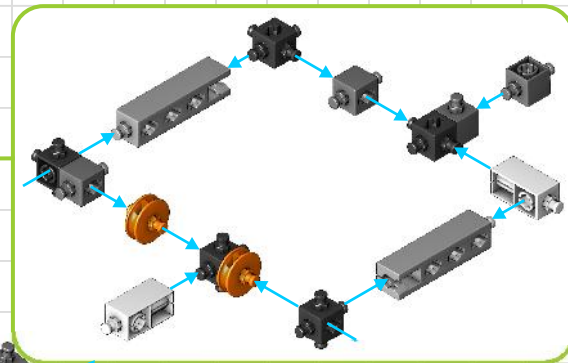
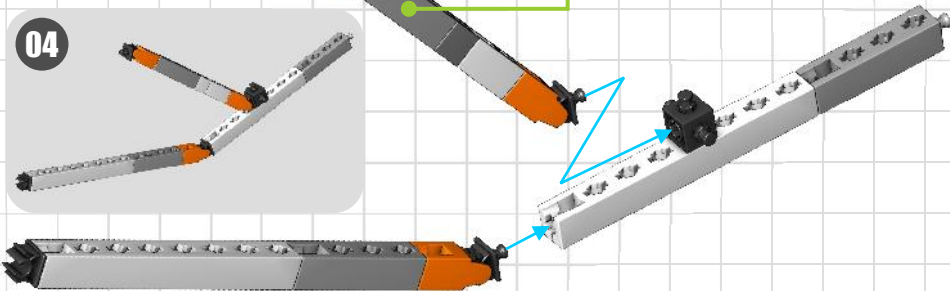
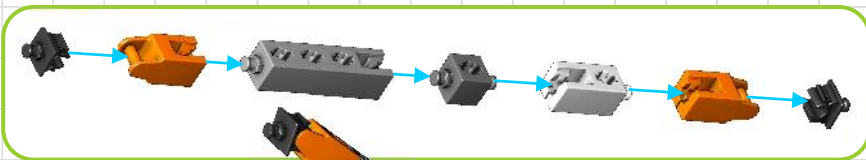
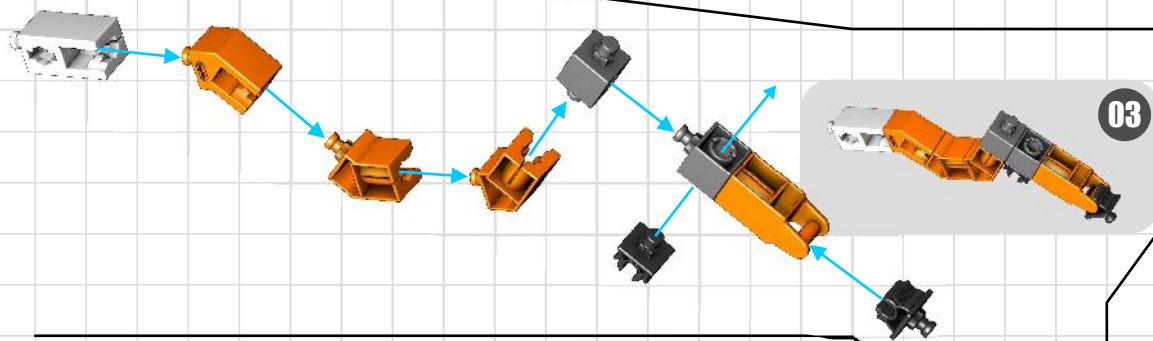
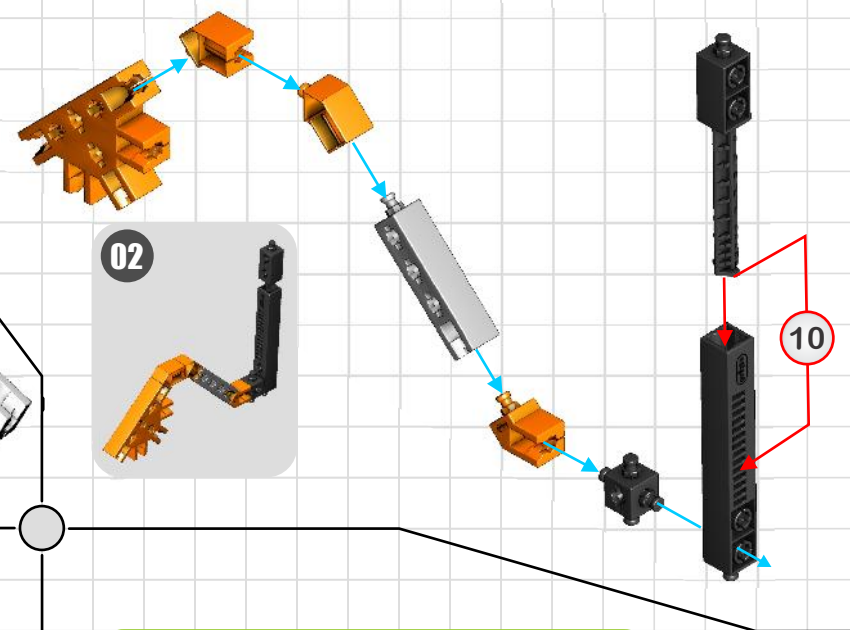
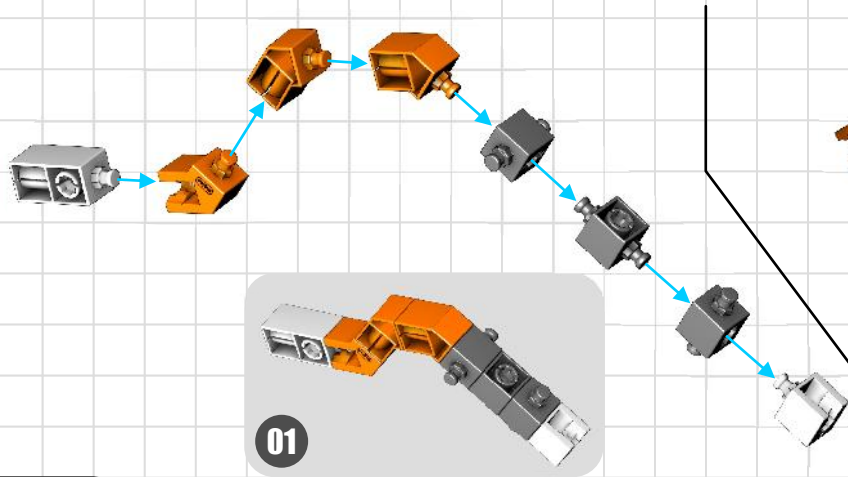
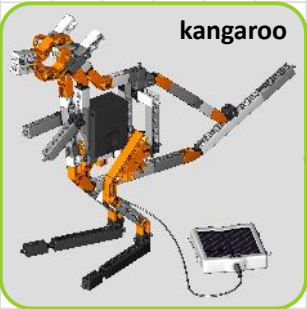
05

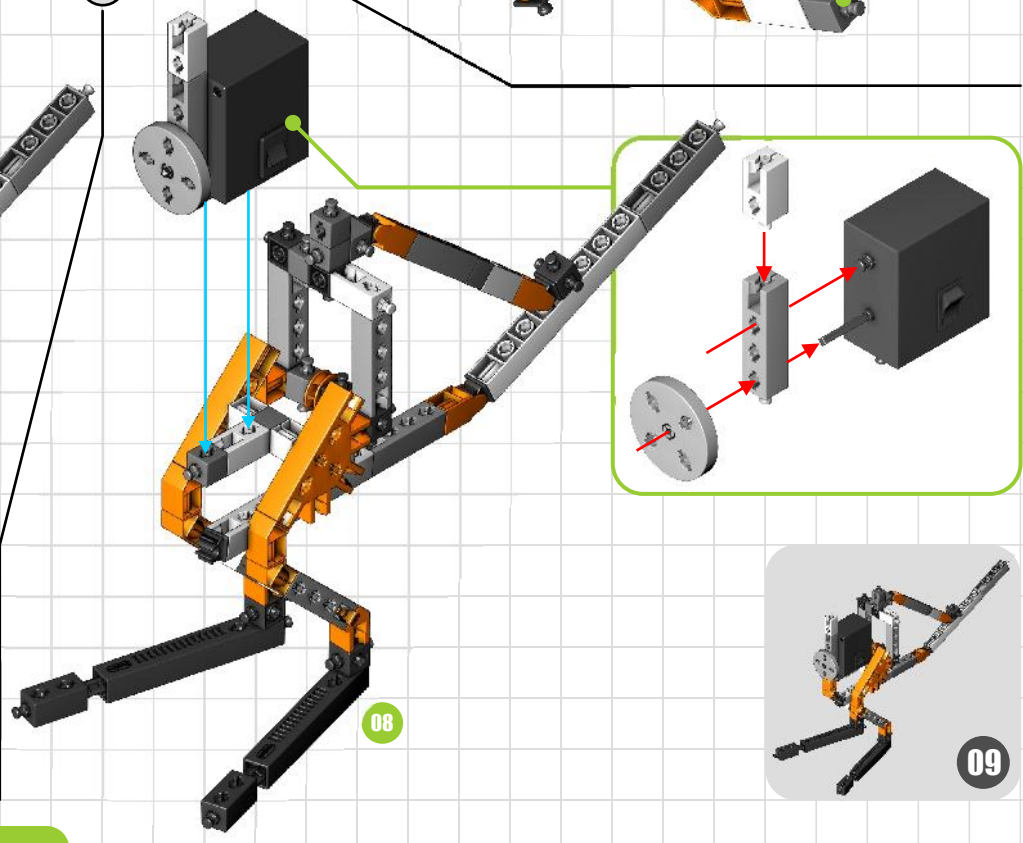
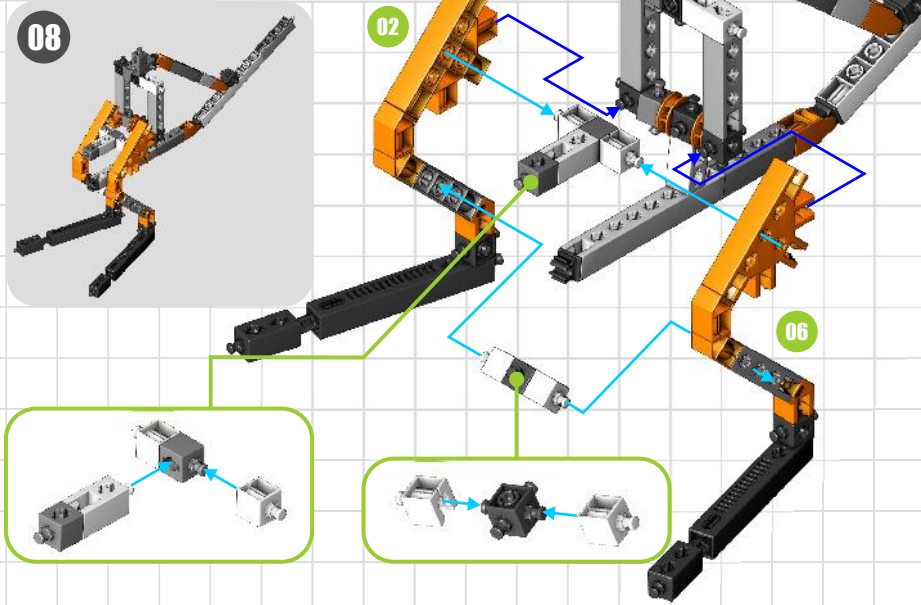
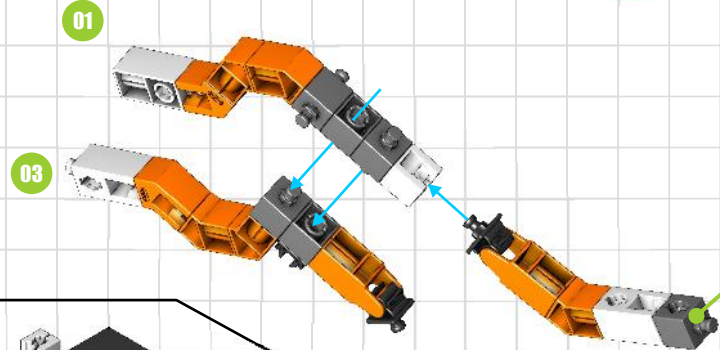
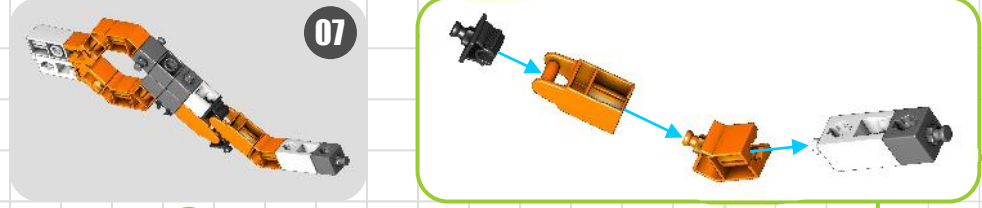
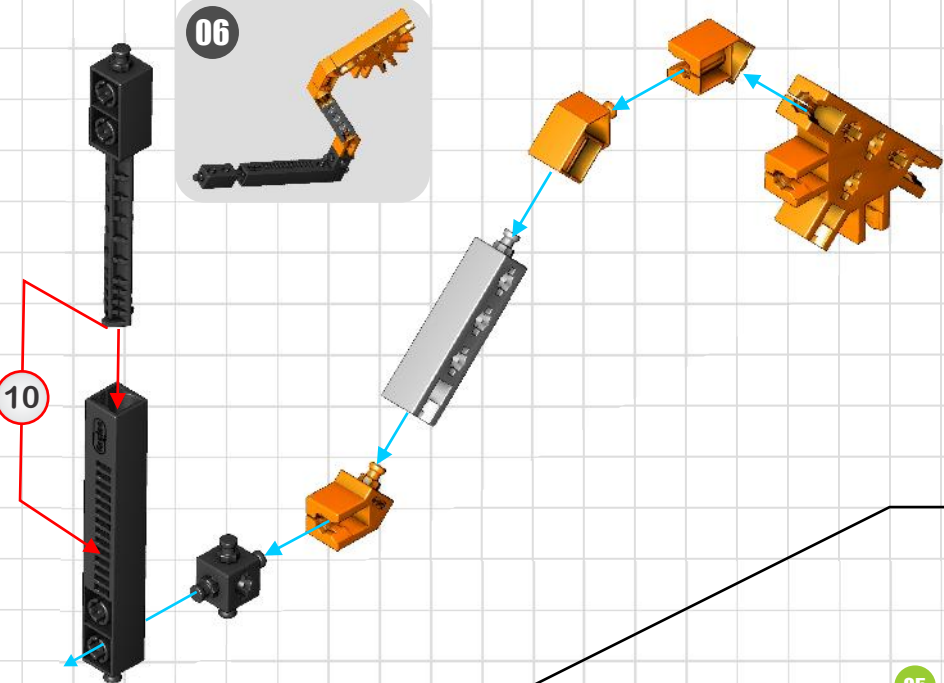
04

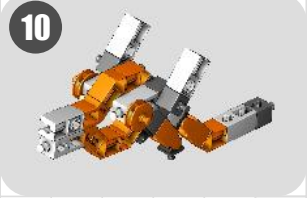
03



02

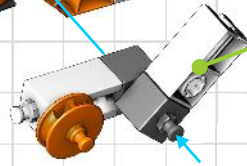
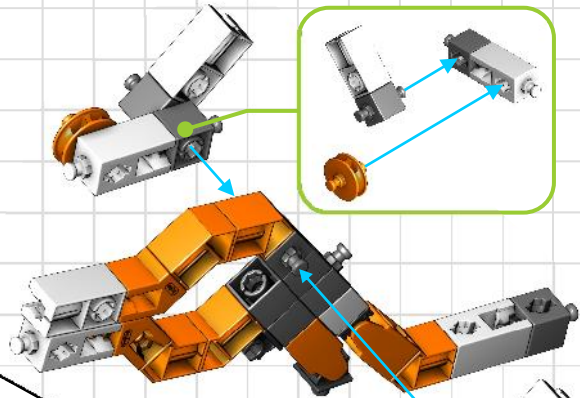
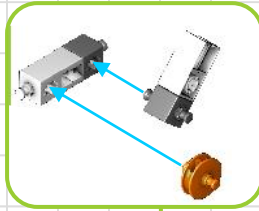
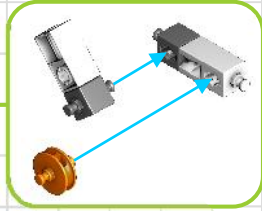






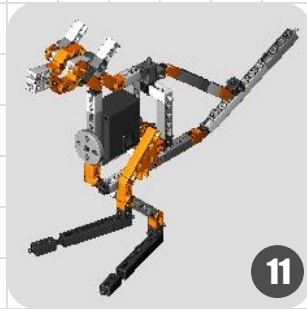
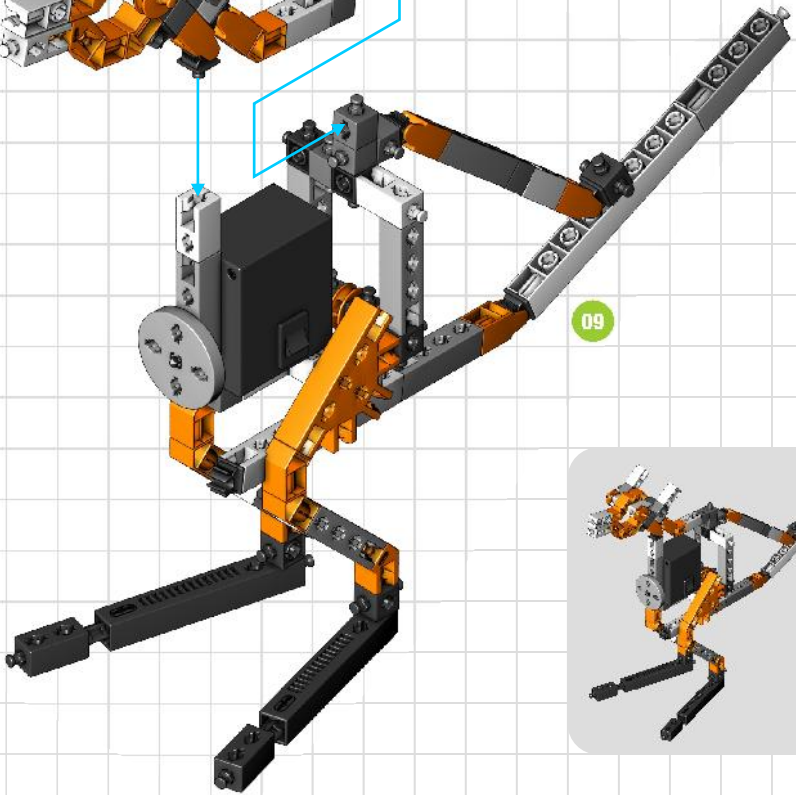
10

07

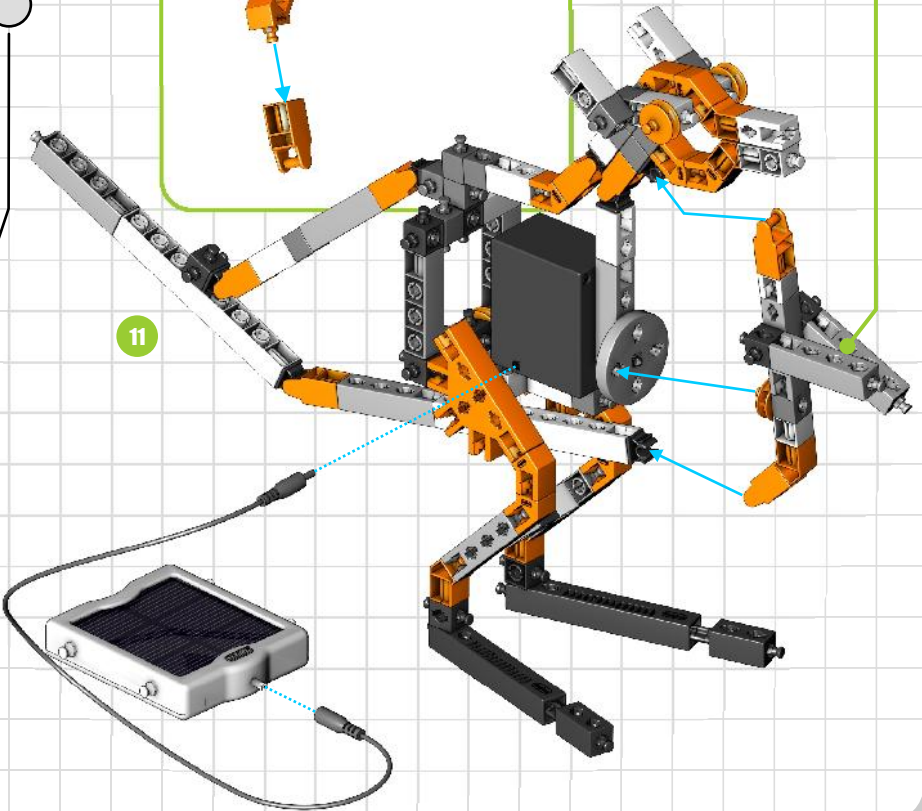
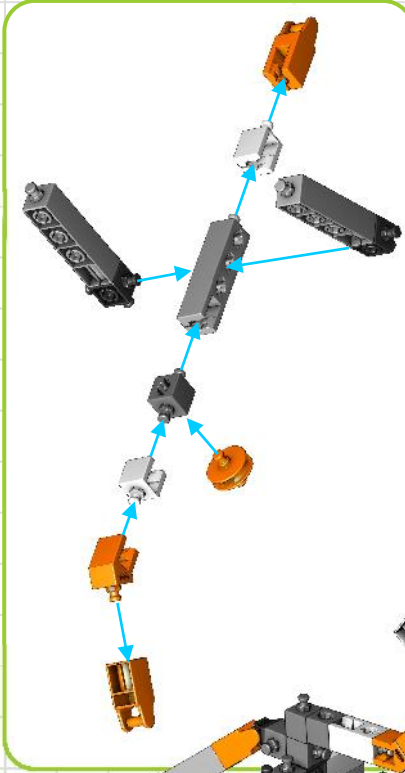


10

09



11

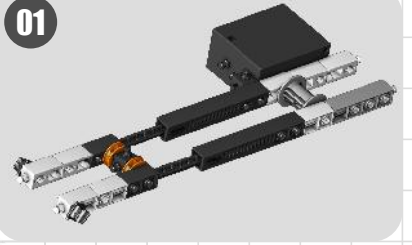


11

material lift



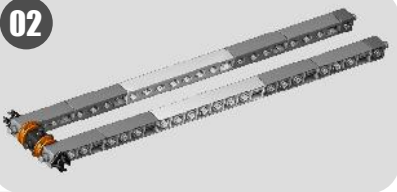
01



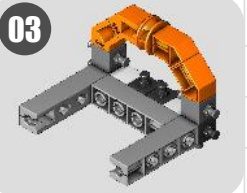
1

1

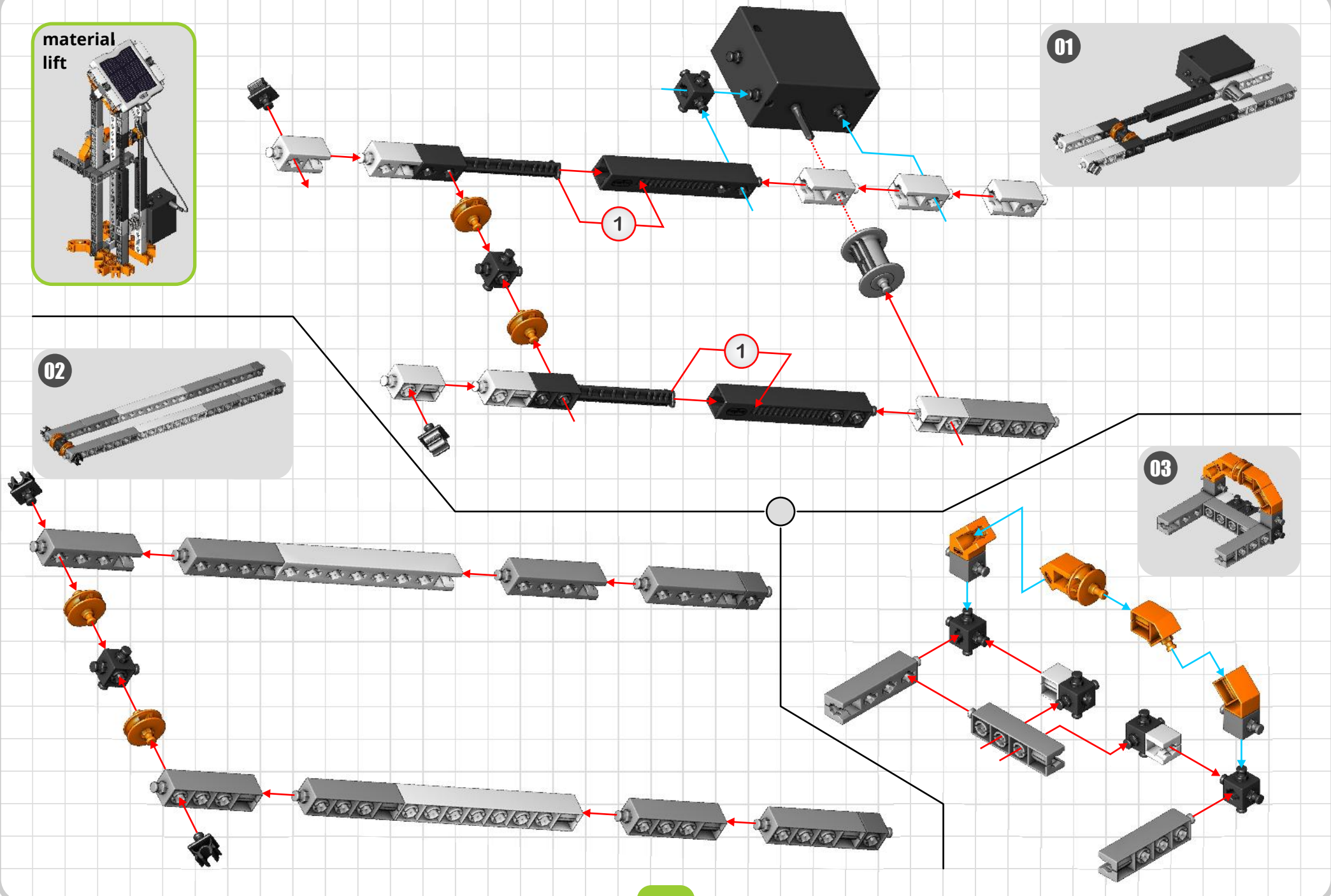
02



03

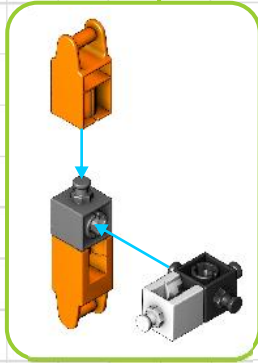
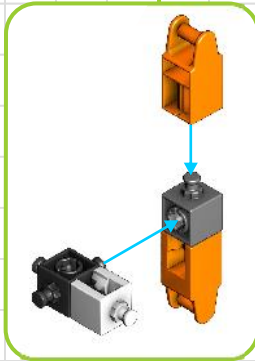
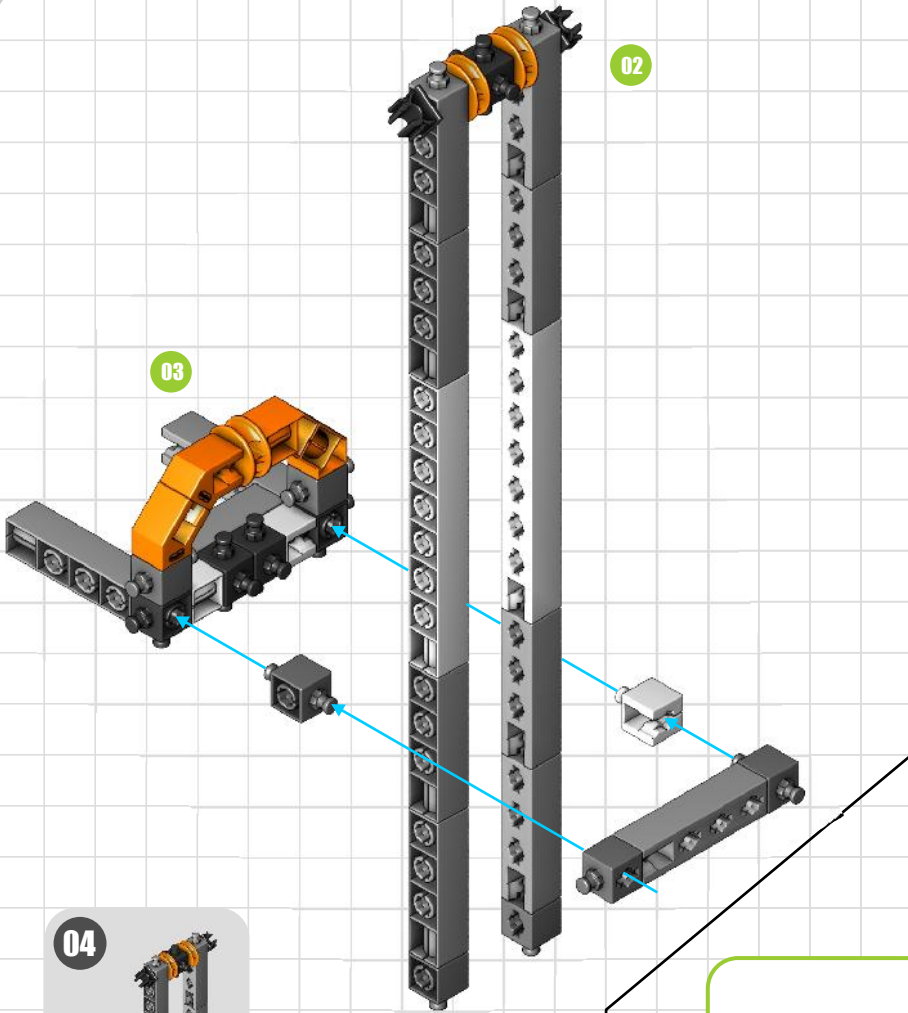


01



02

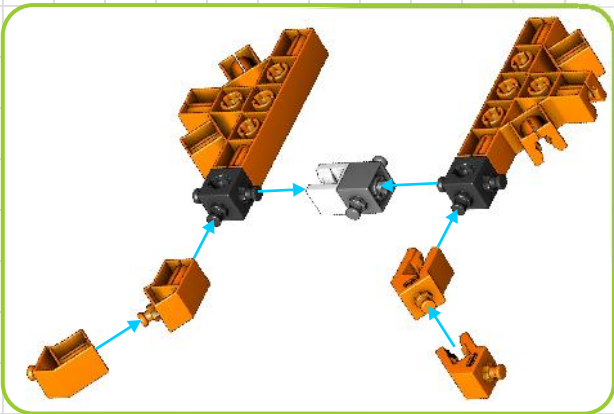
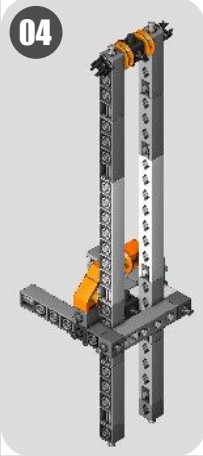
03



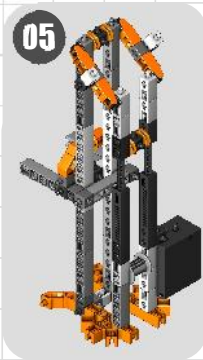
04

01

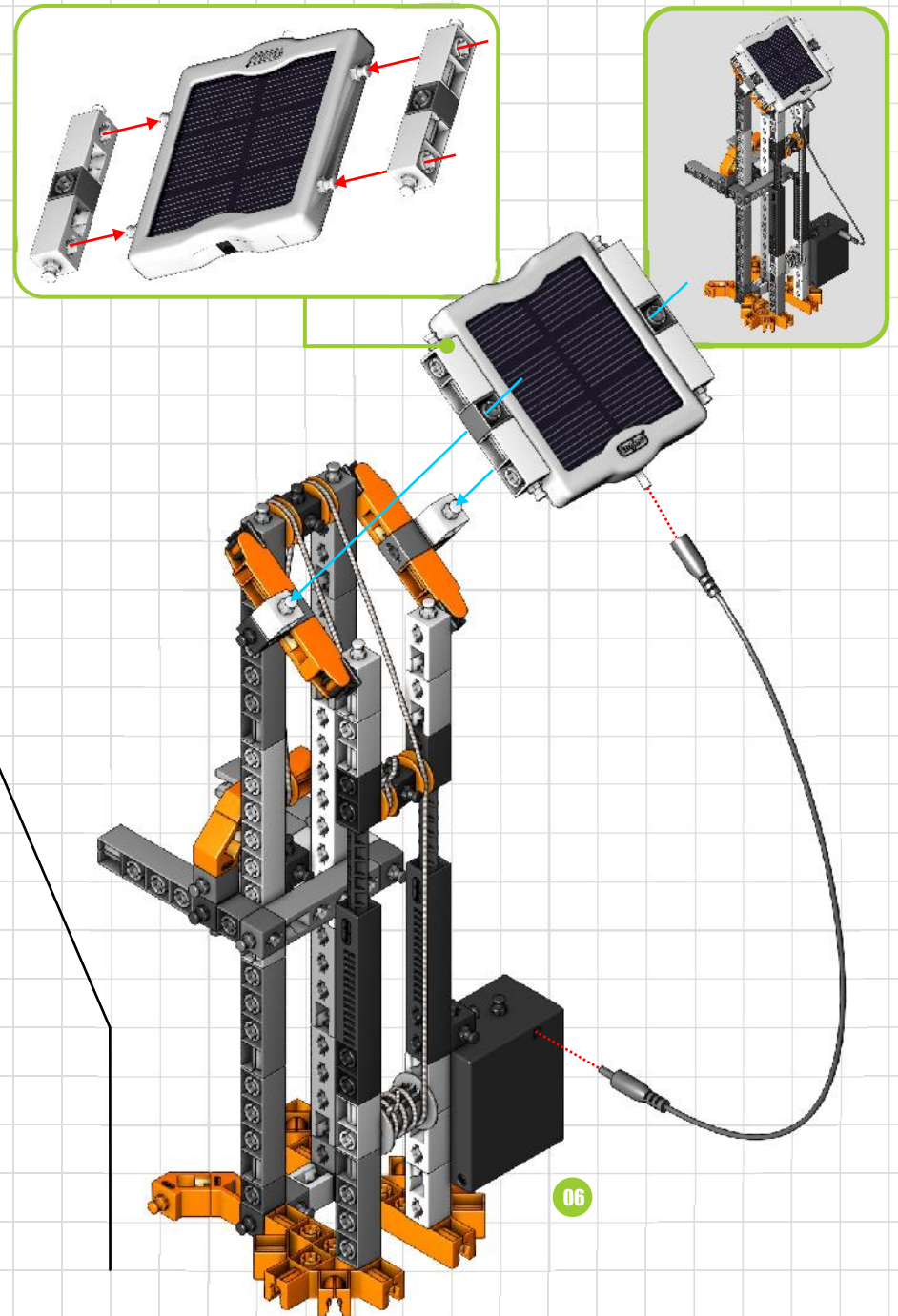
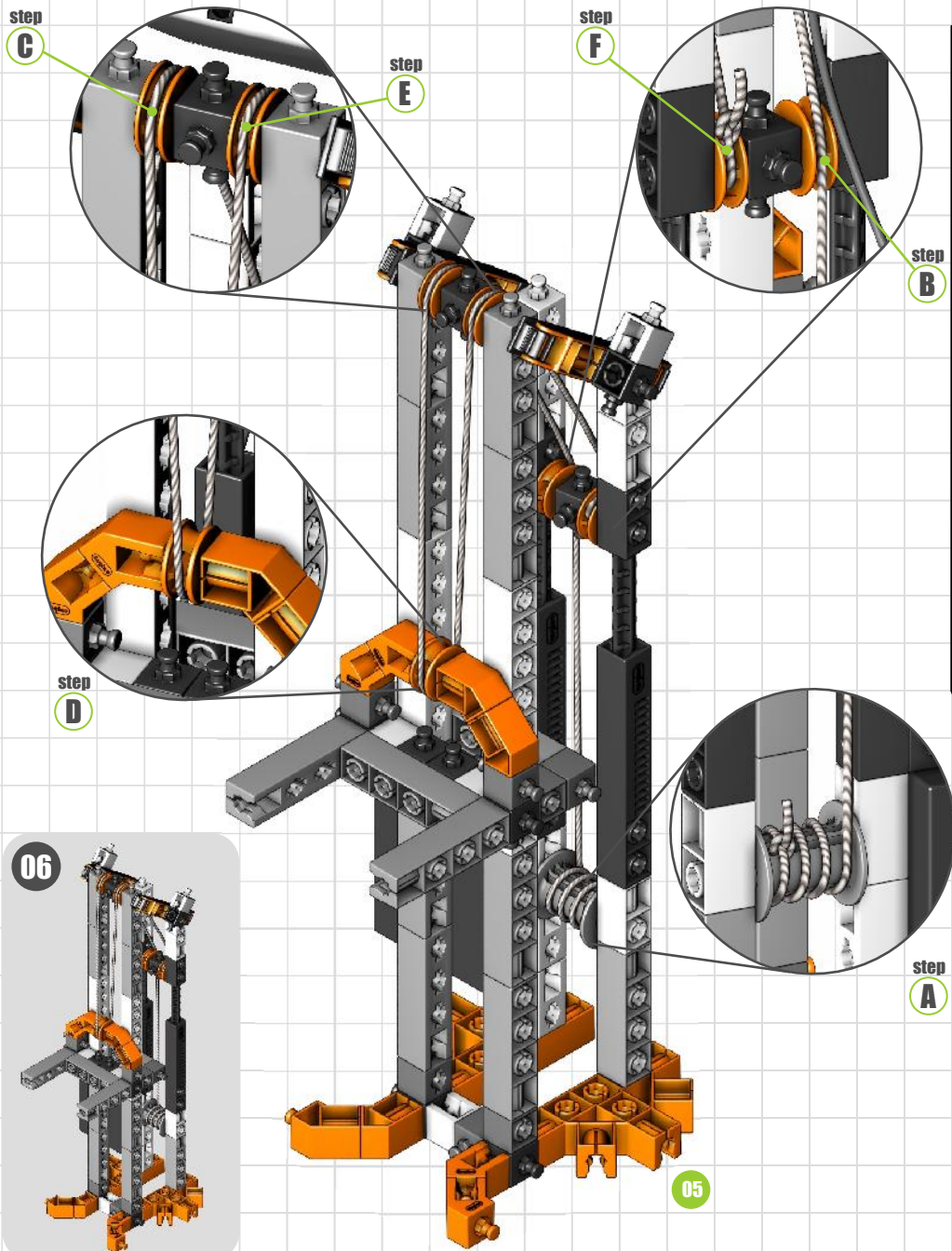
04

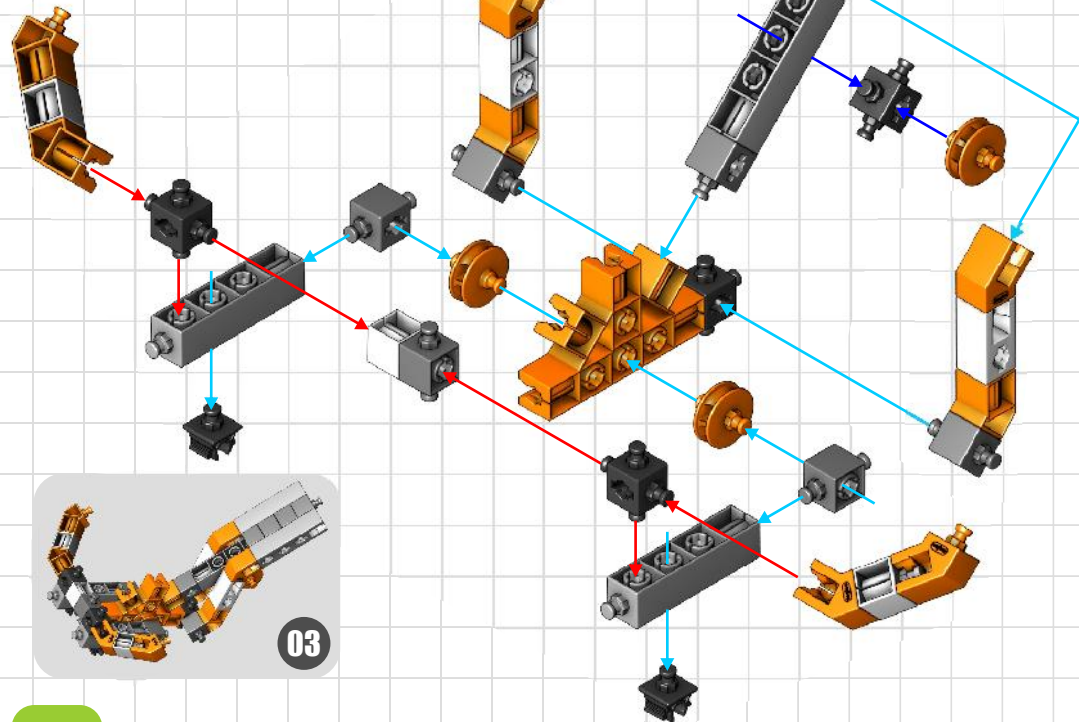
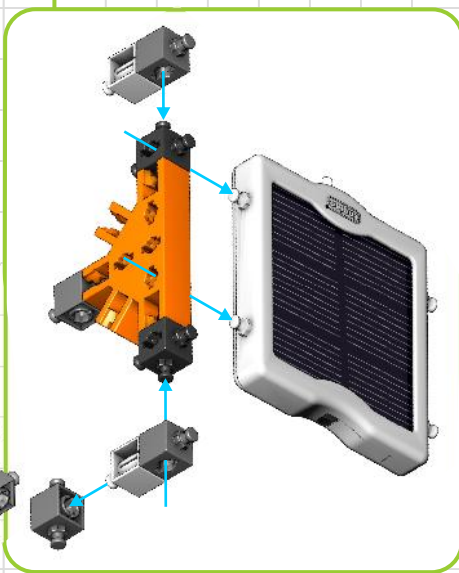
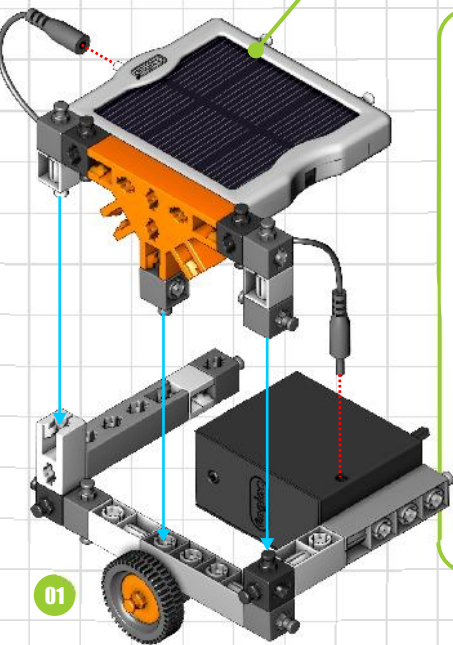
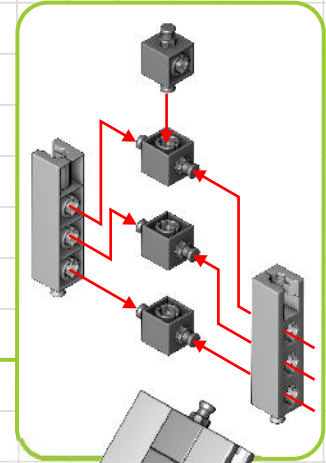
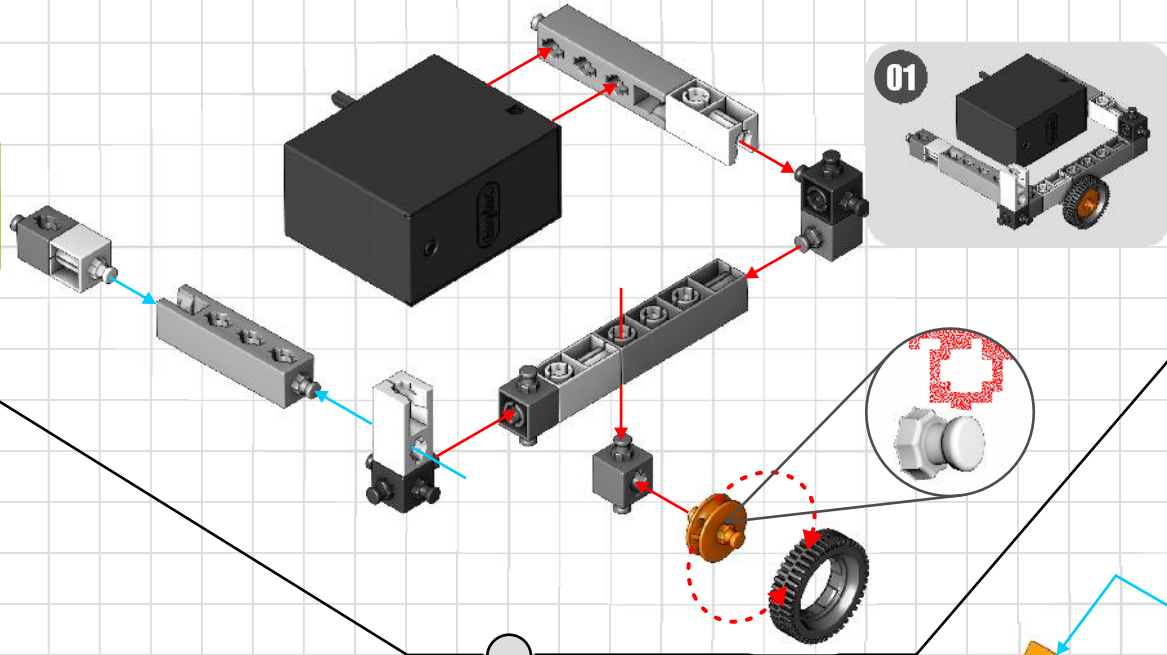
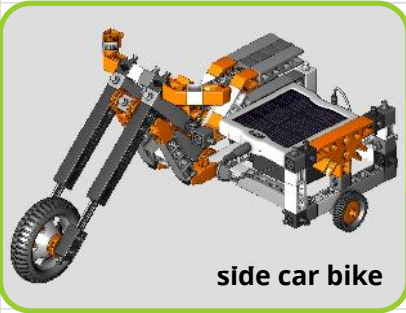


05

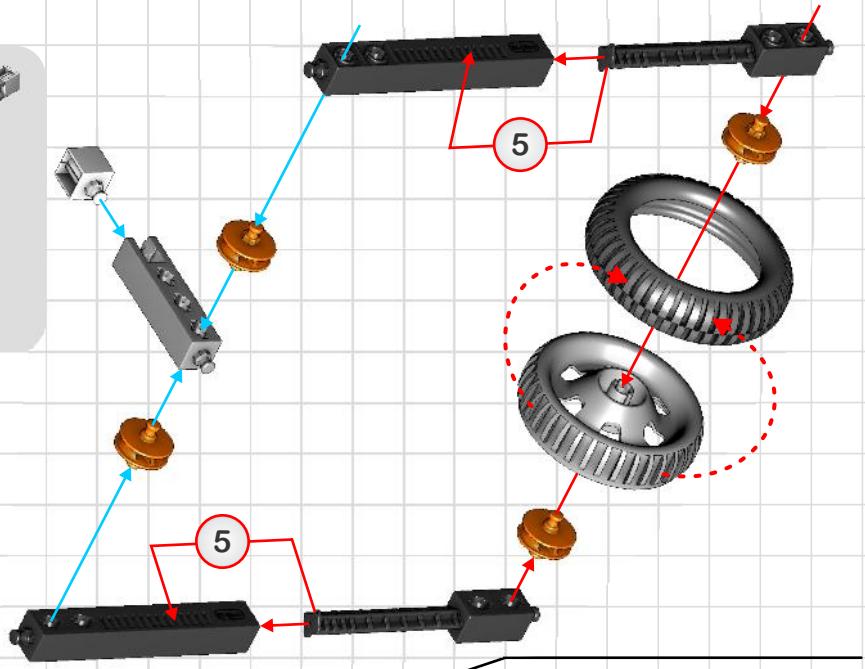


02

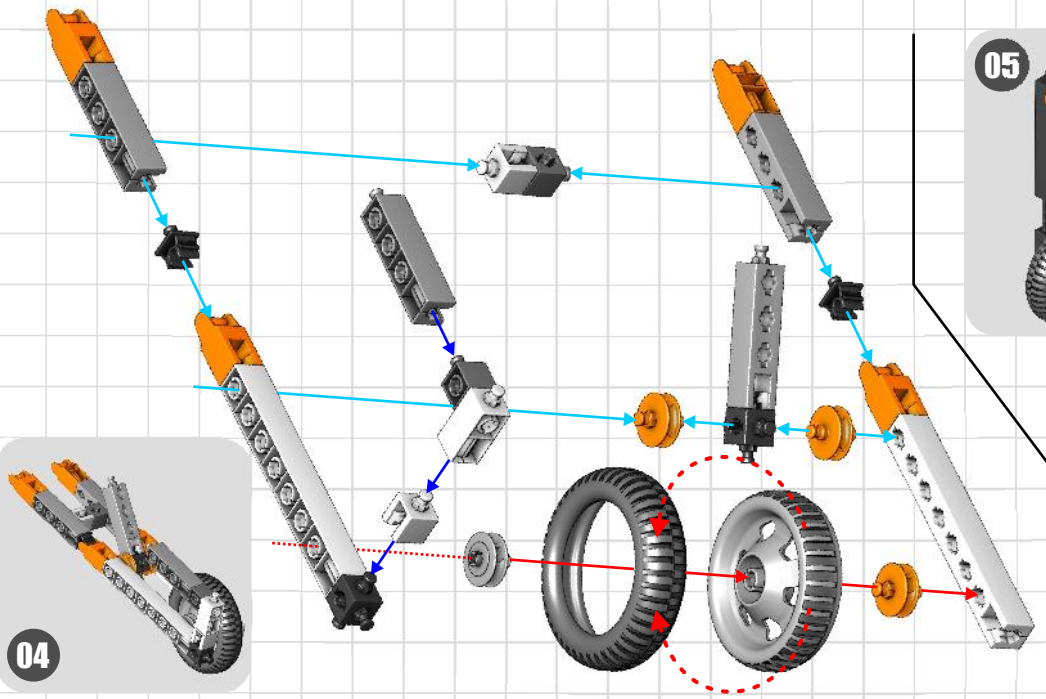




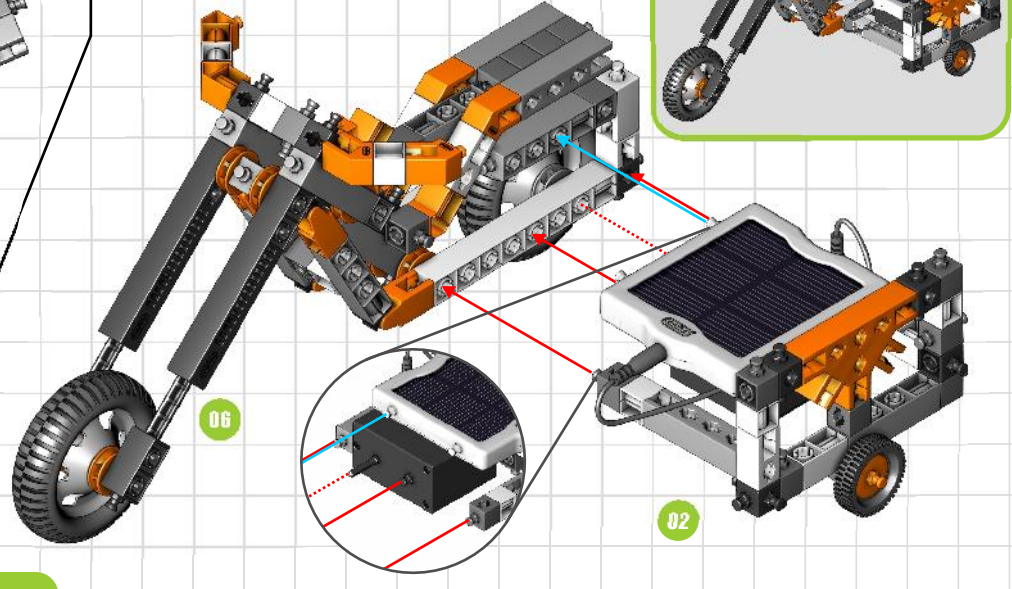
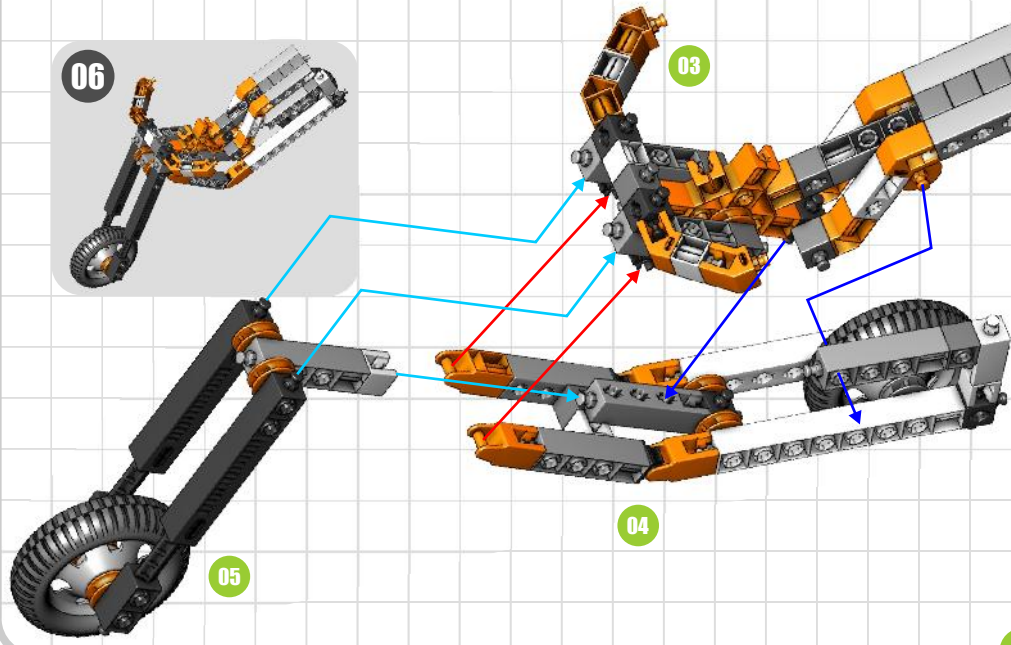
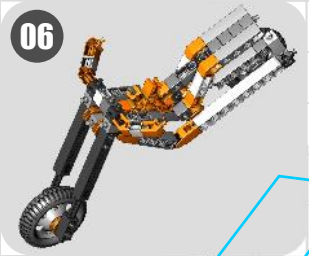
05



04

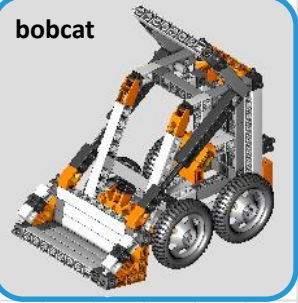


06

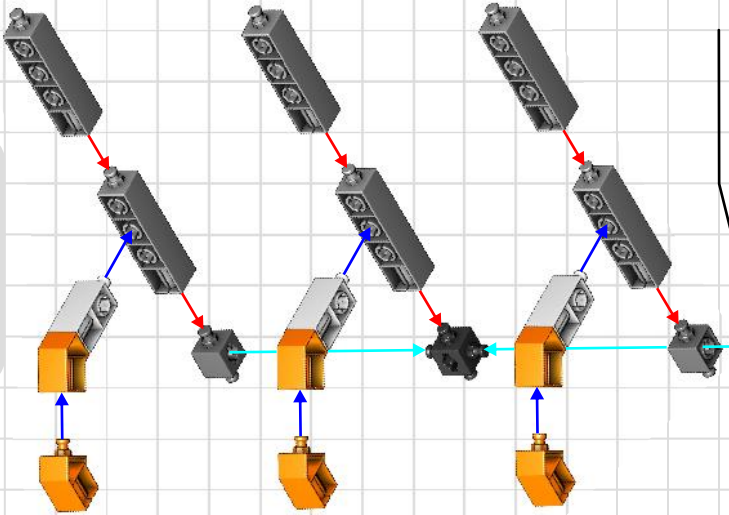
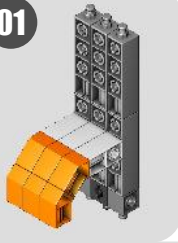


02

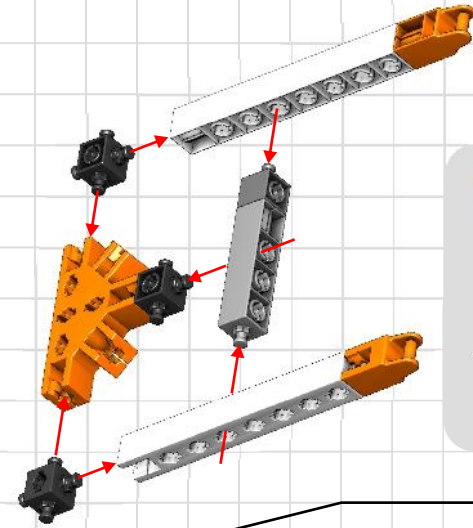
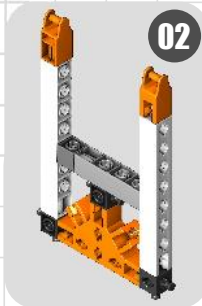
bobcat



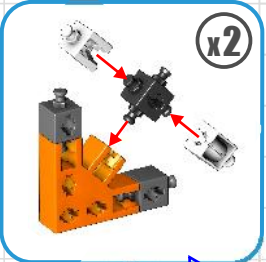
01



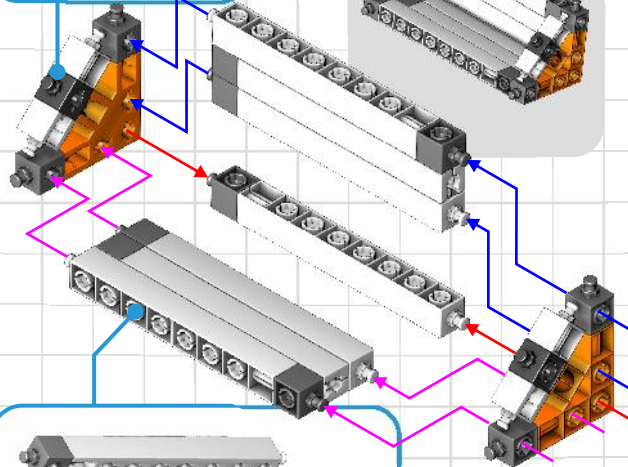
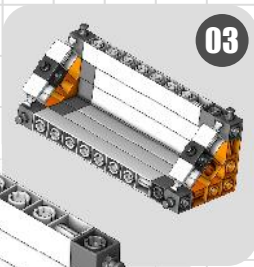
02



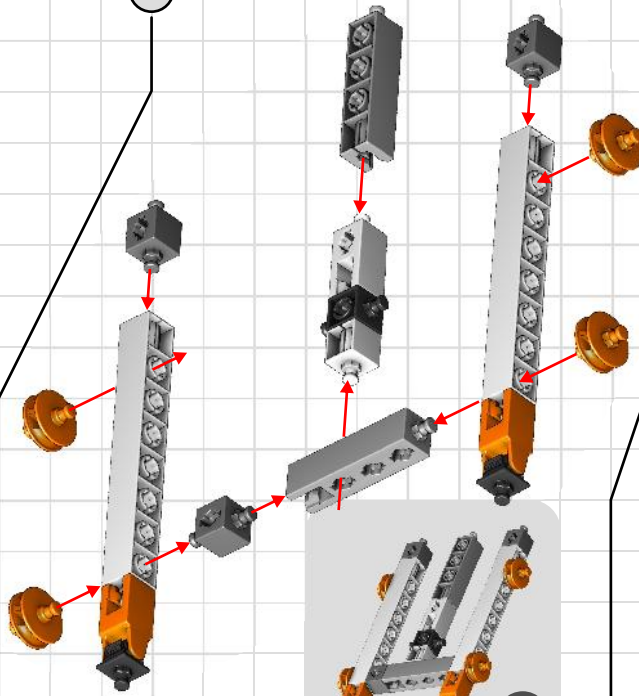
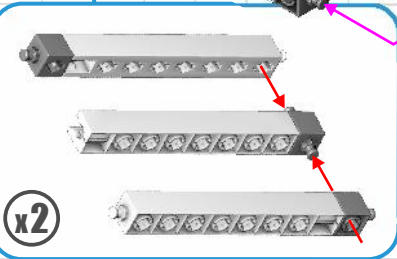
x2



03



x2

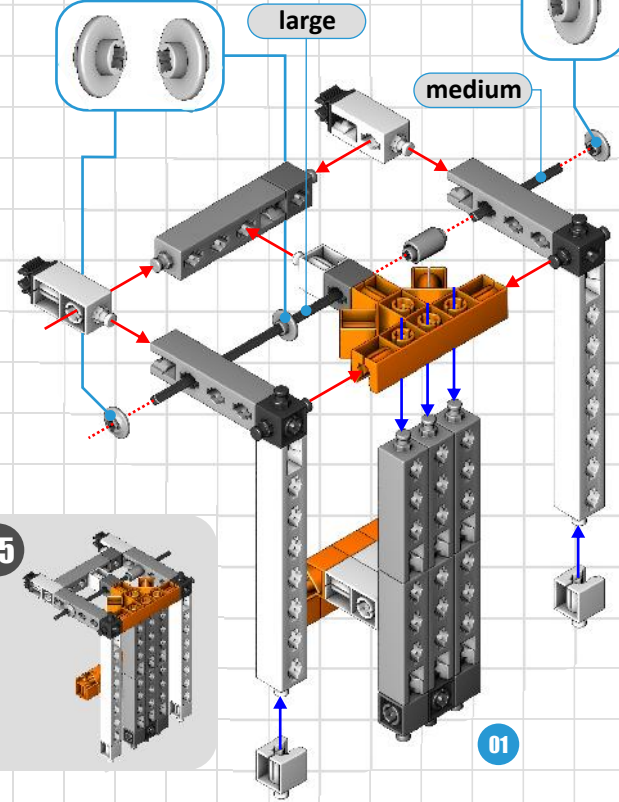


04



large

medium

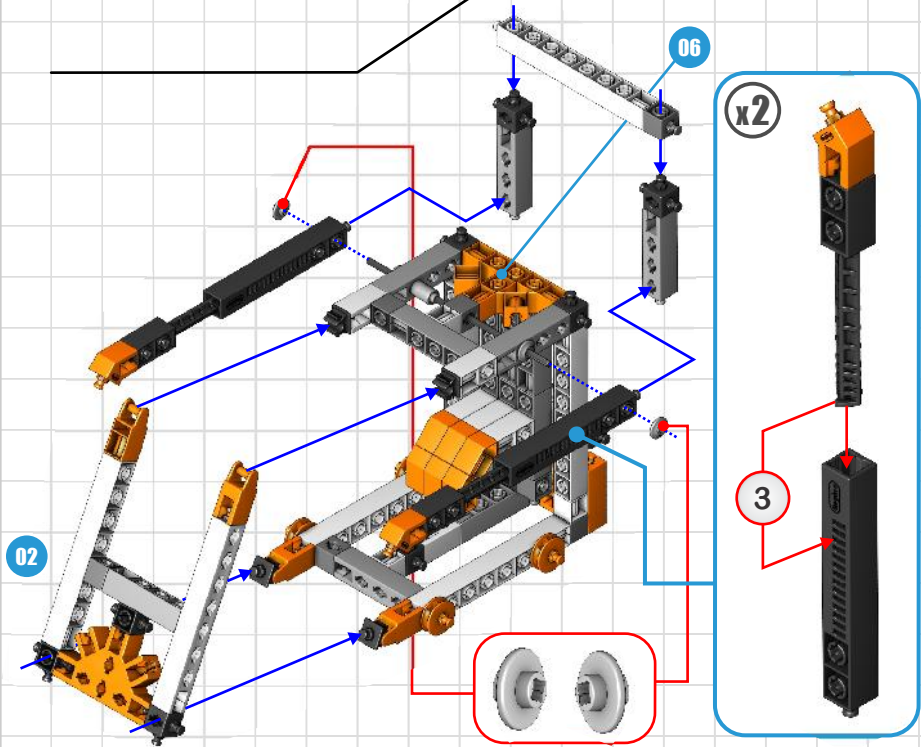
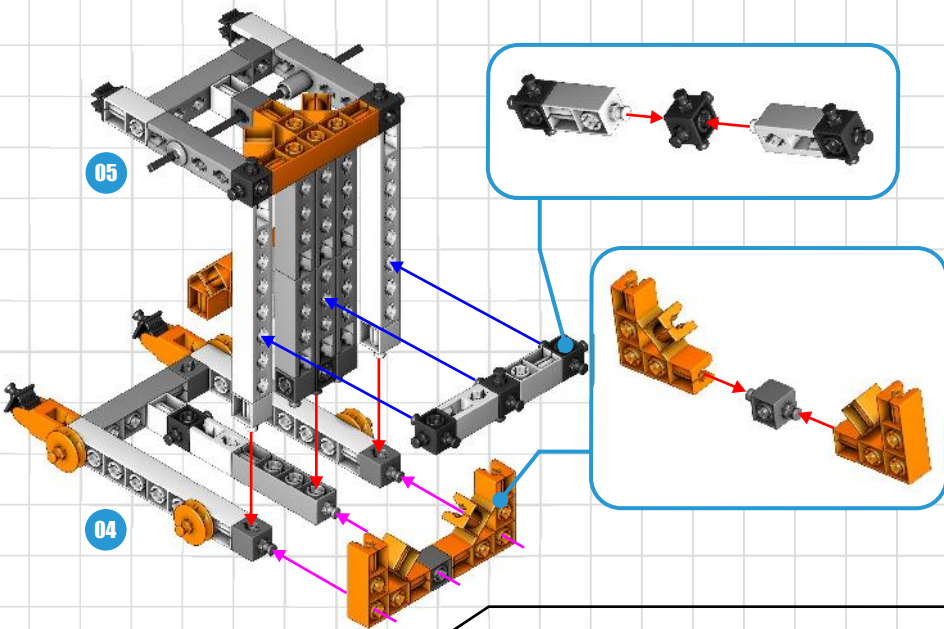
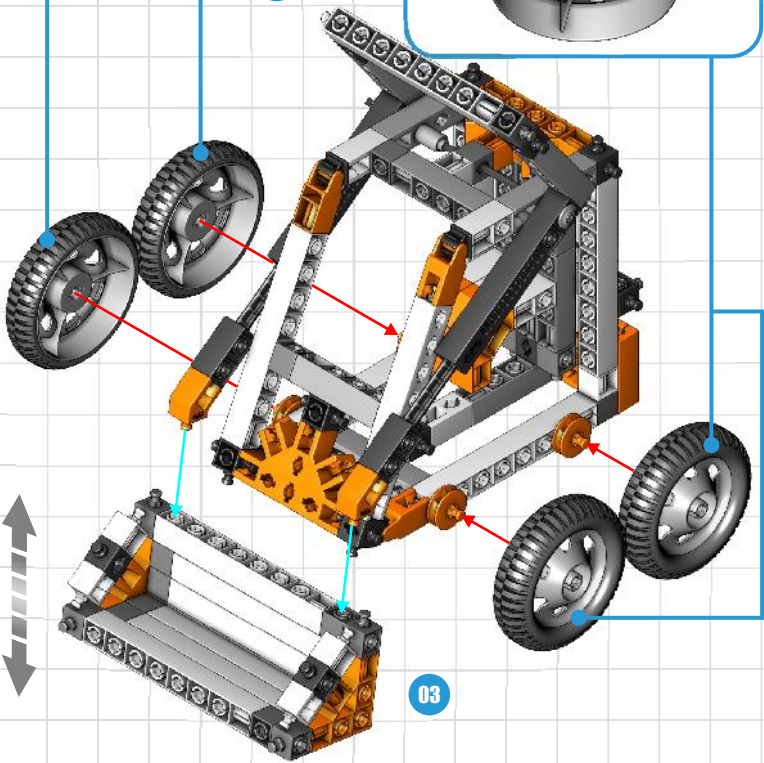
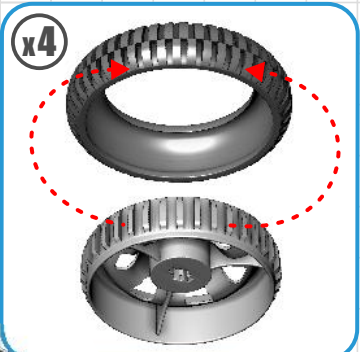
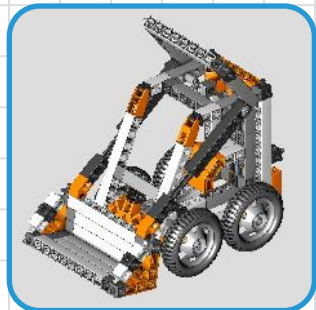


05



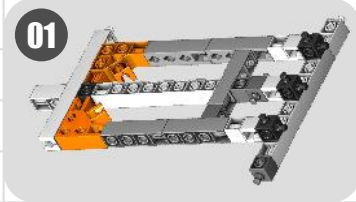
01

01

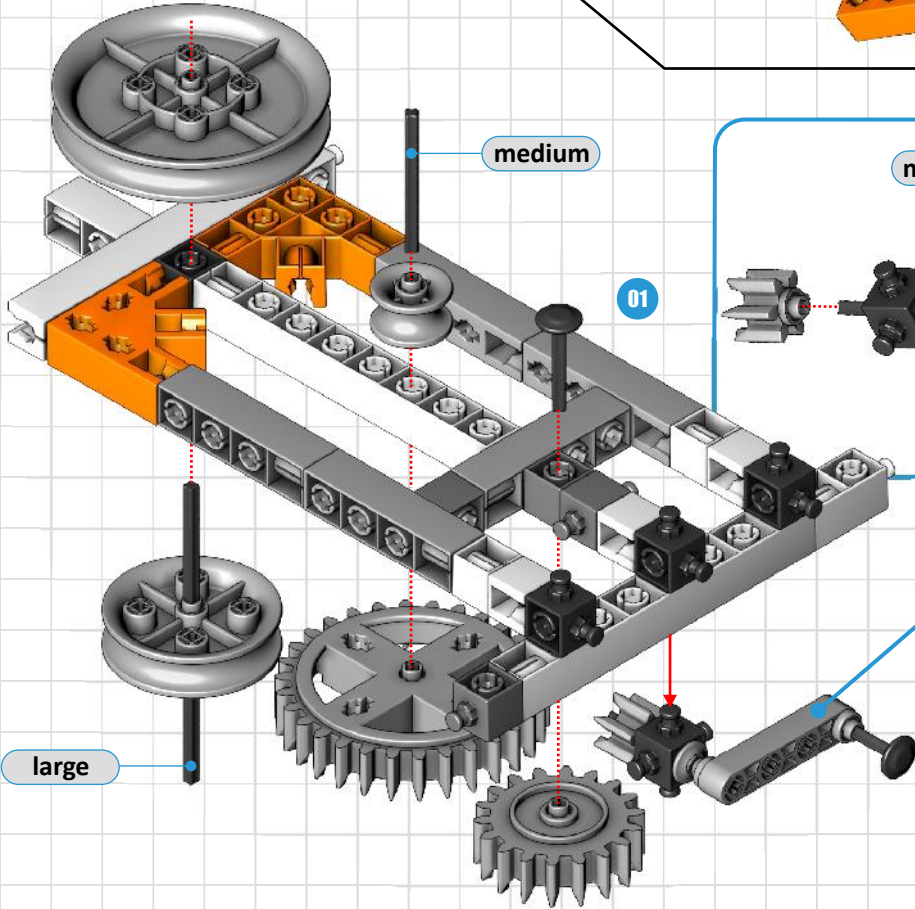
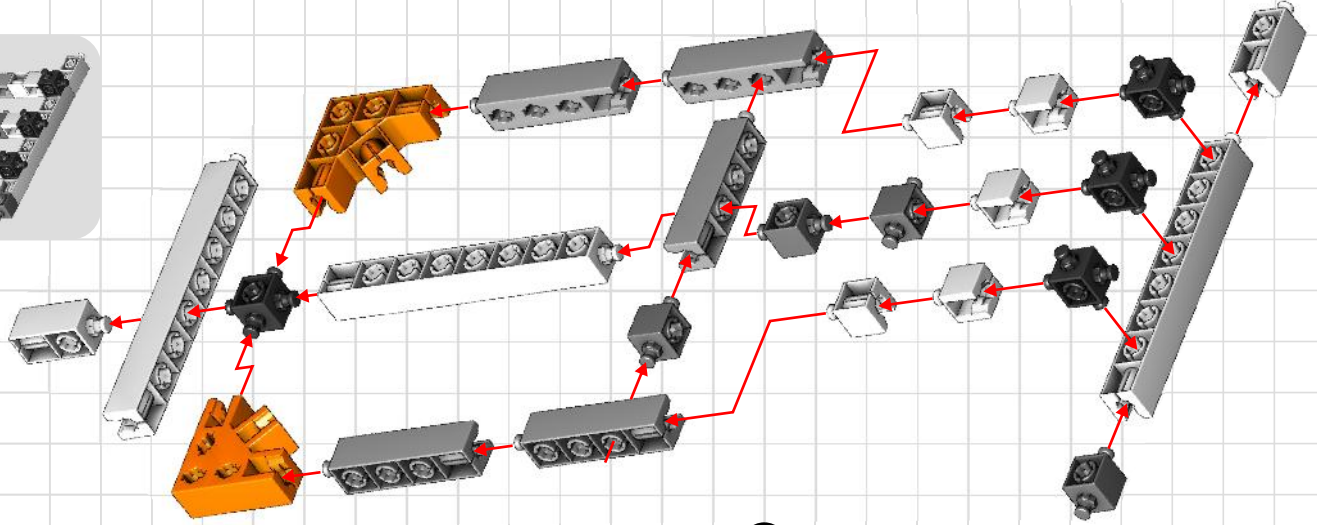




crane



01

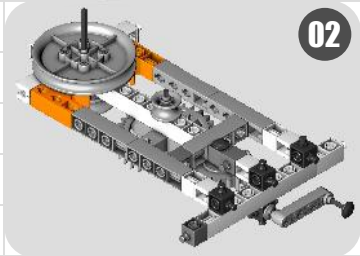
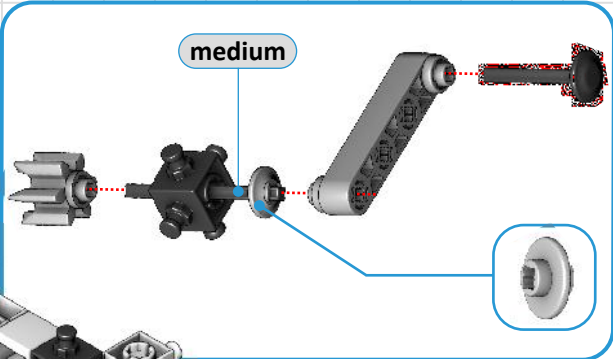


medium

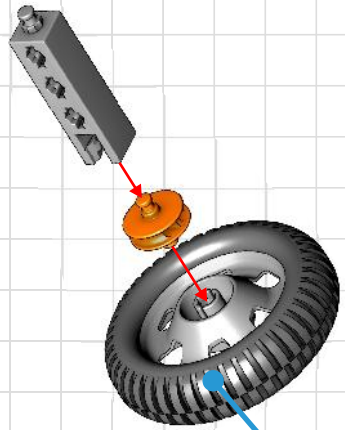
01

medium

large

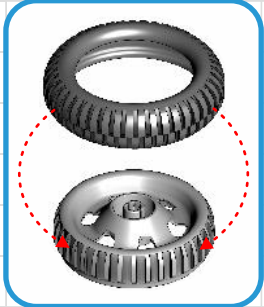


02

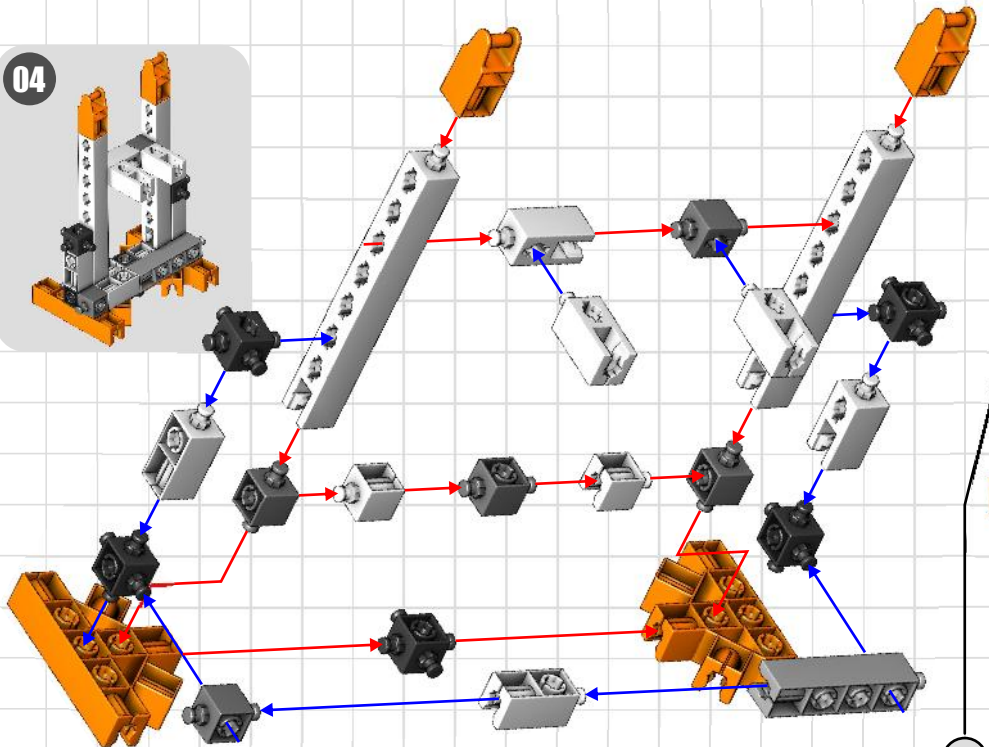


03

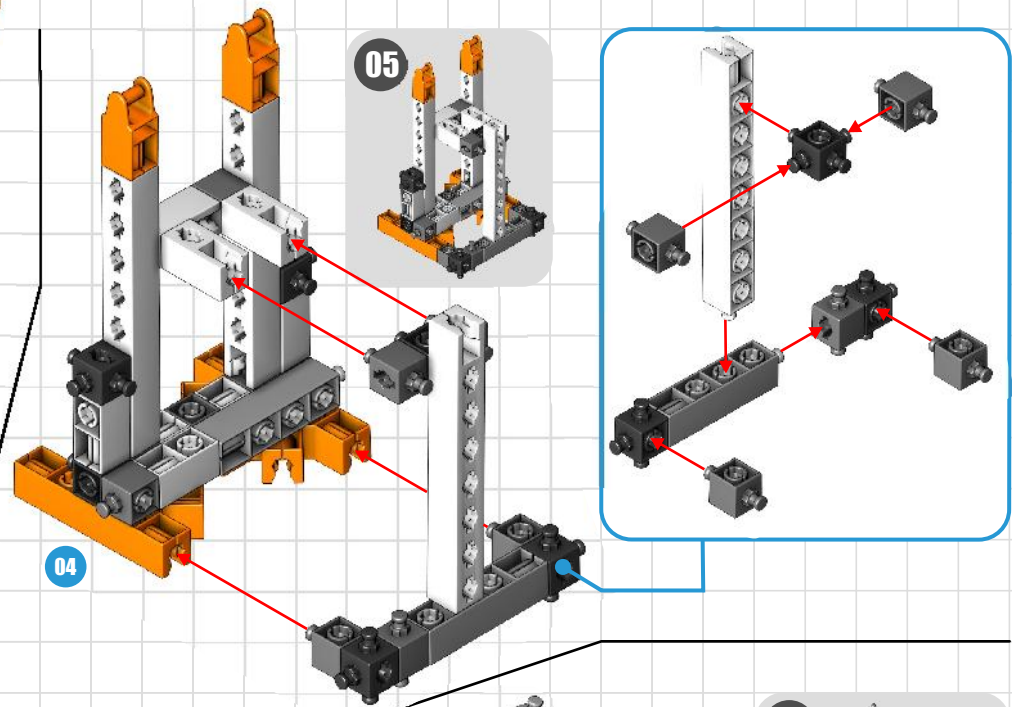
x4



04

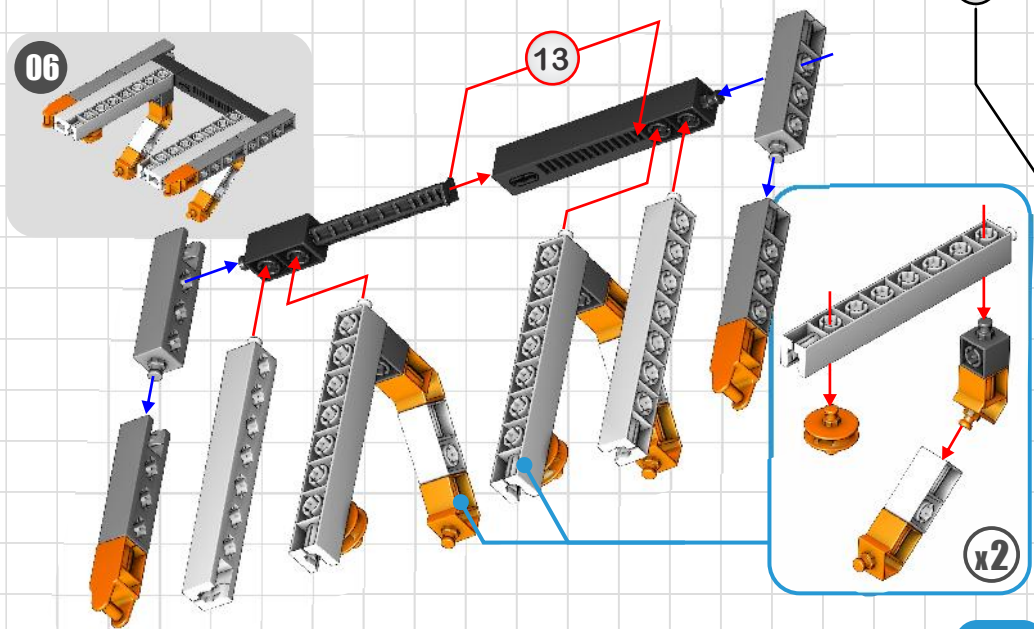


05



04

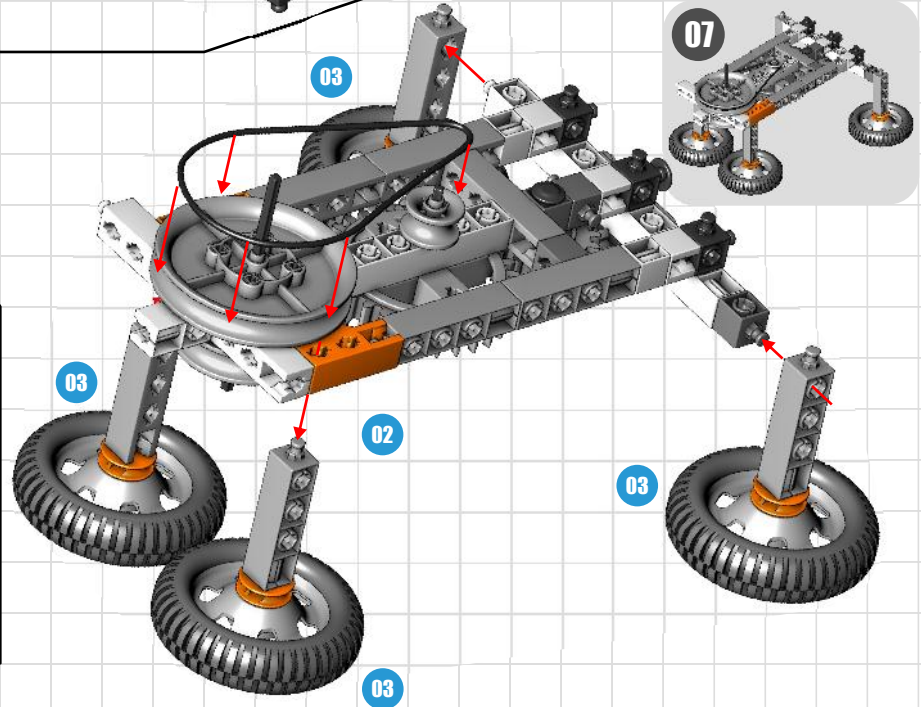
06



13

x2

07



03

03

02

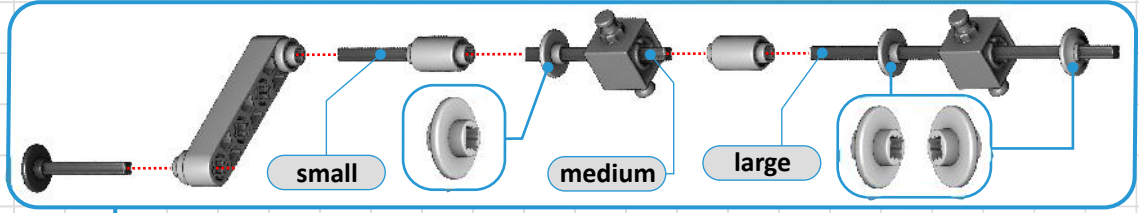
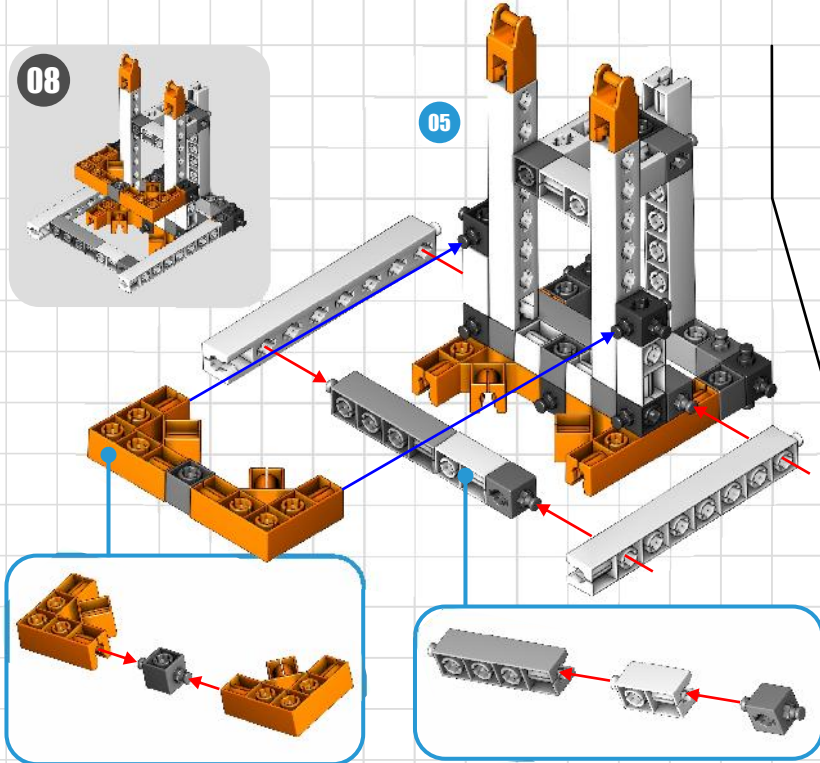
03

03

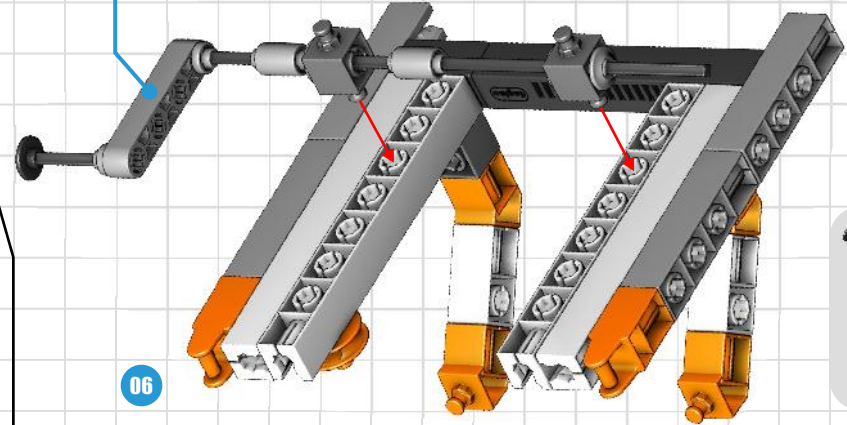
08



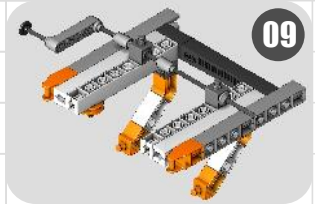
05



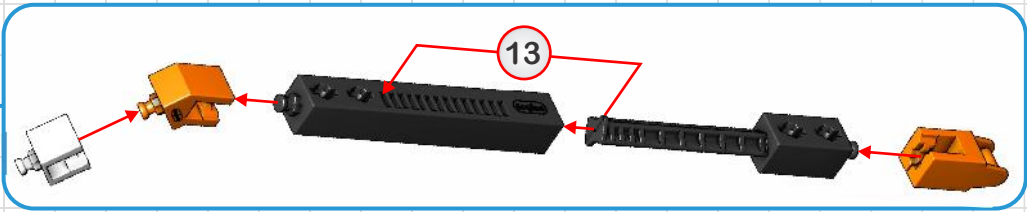
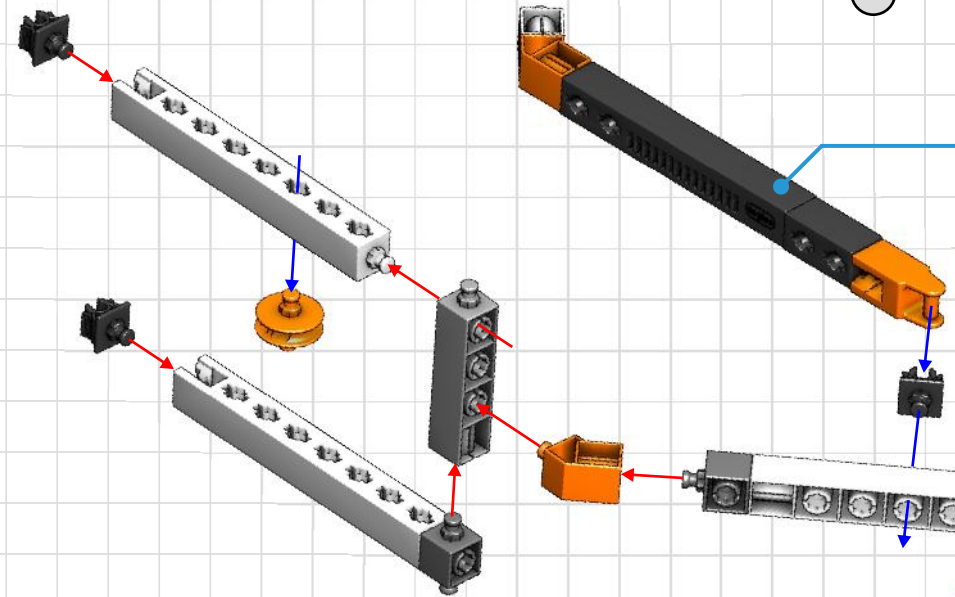
06



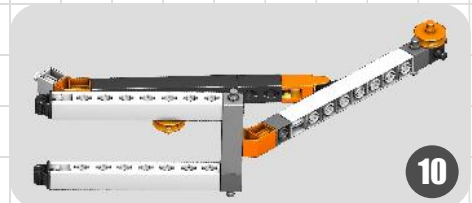
09

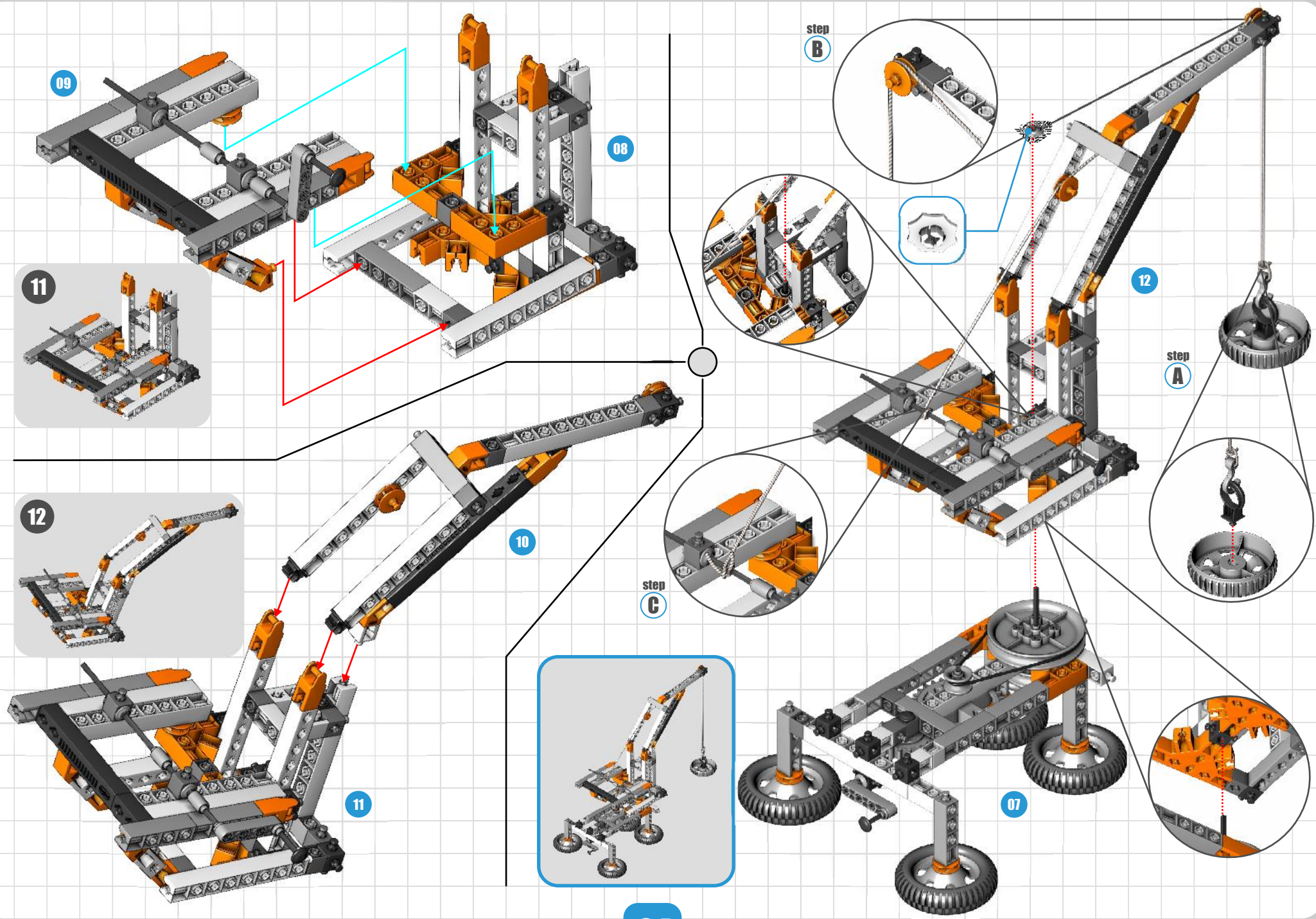


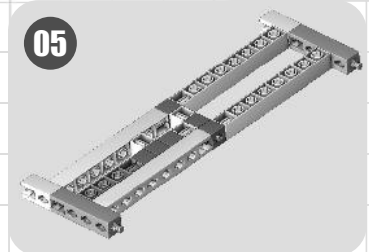
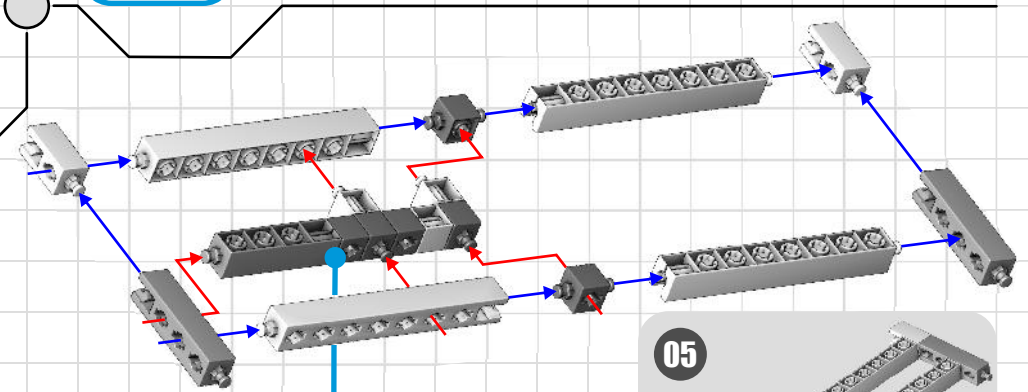
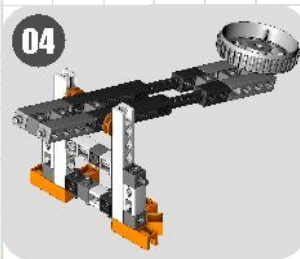
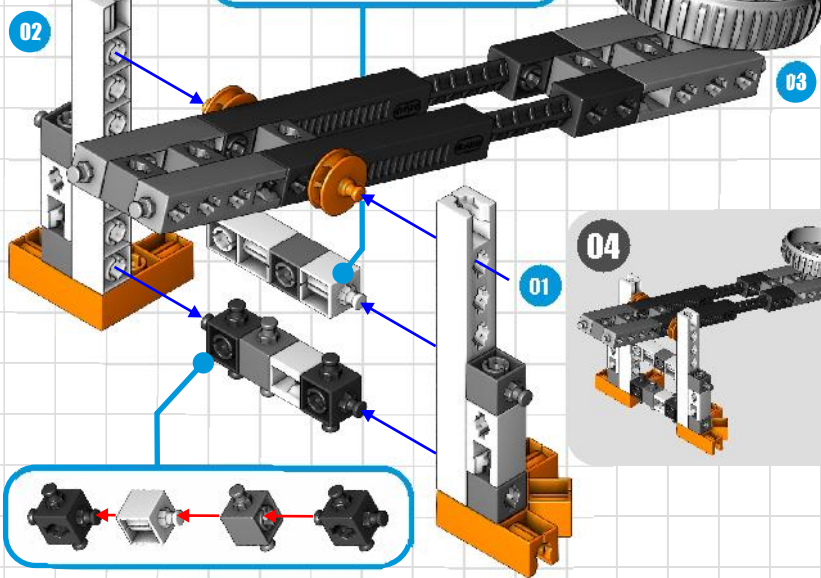
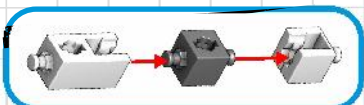
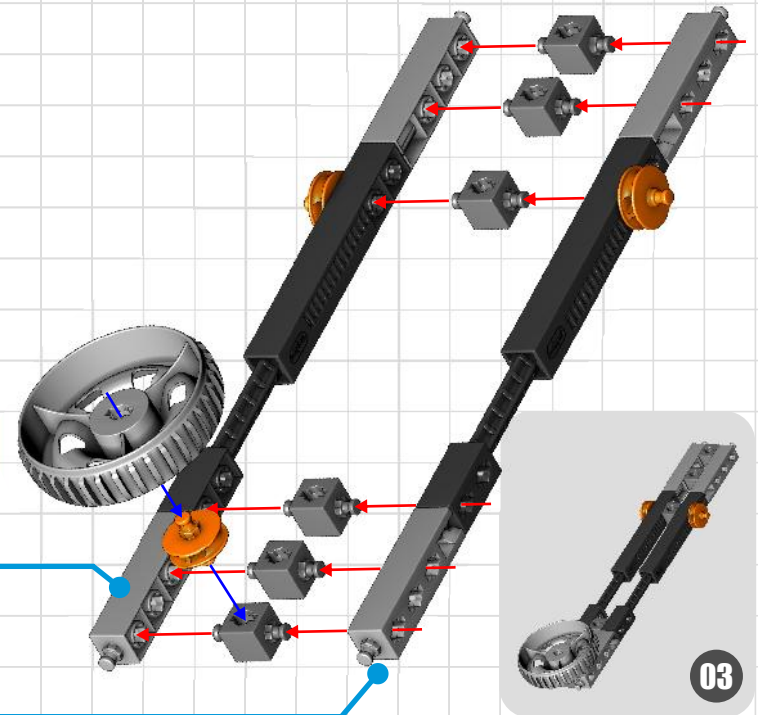
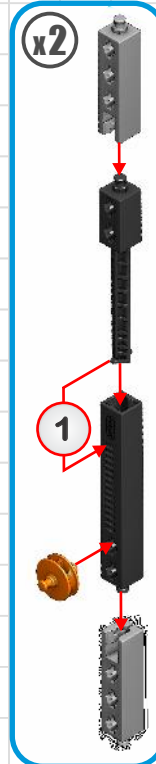
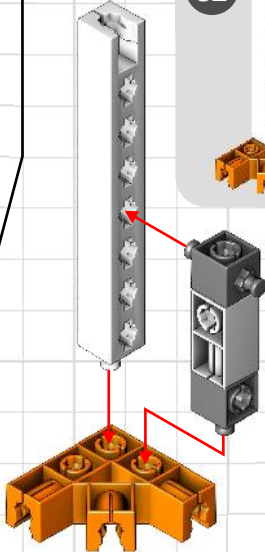
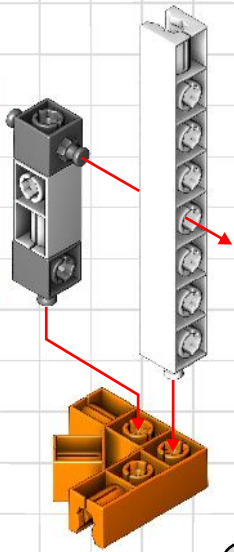
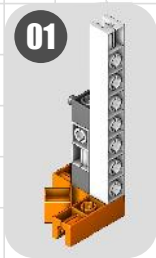
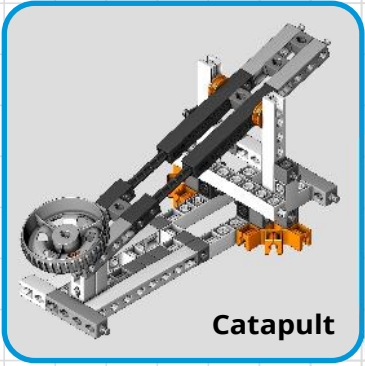
03

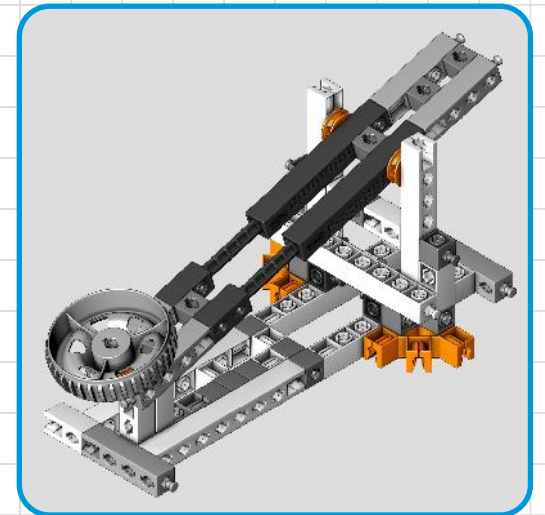
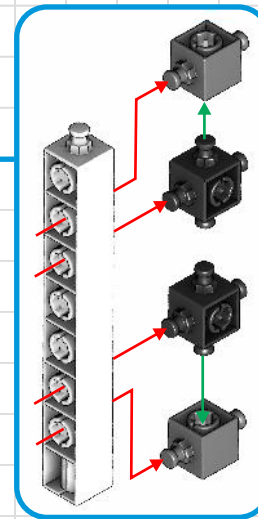
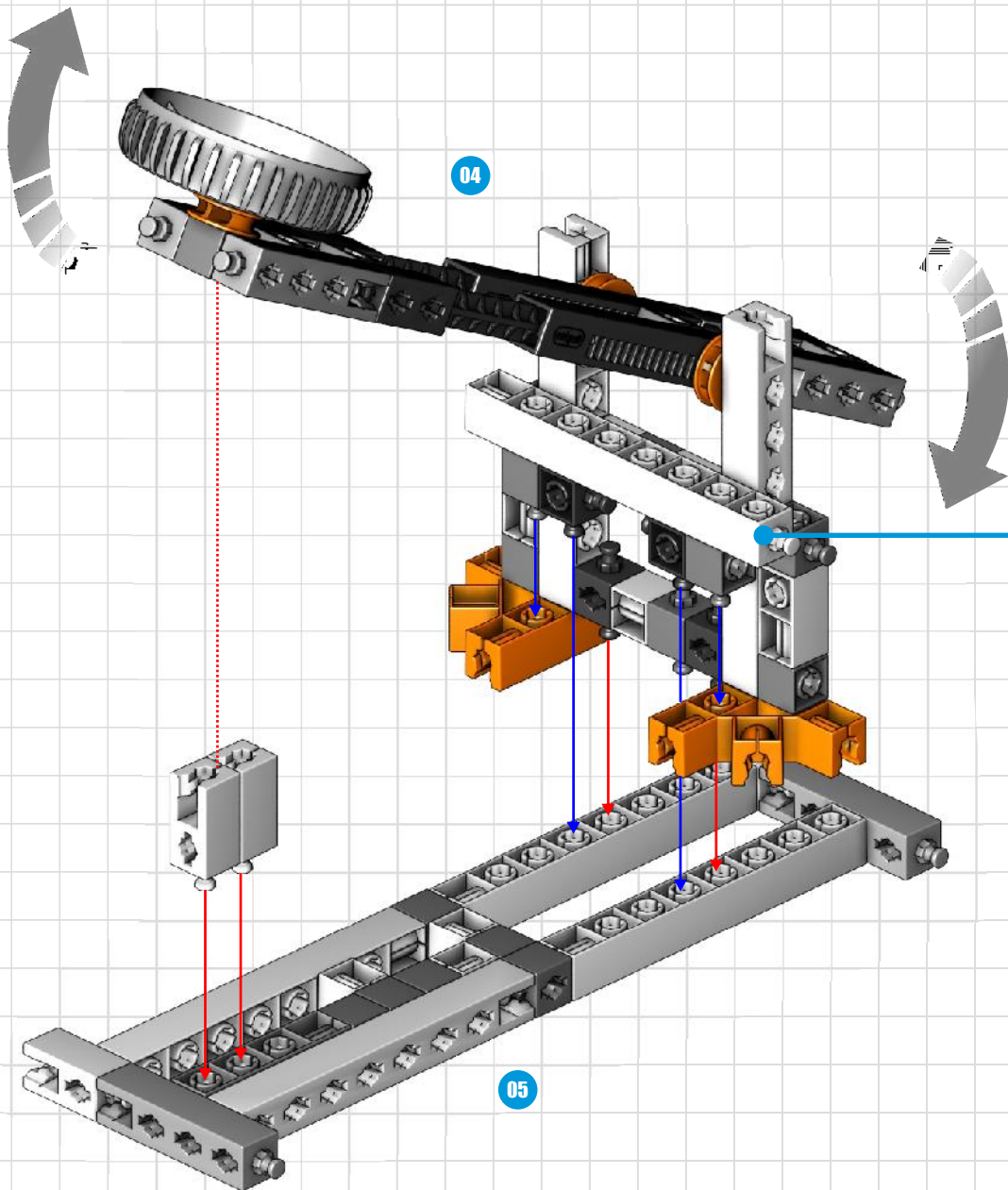


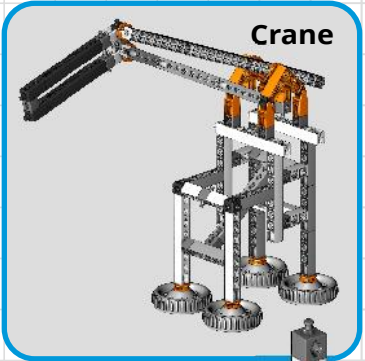
10



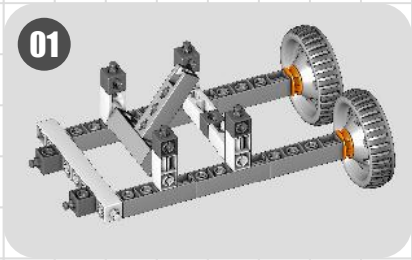




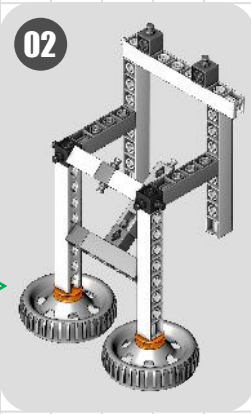
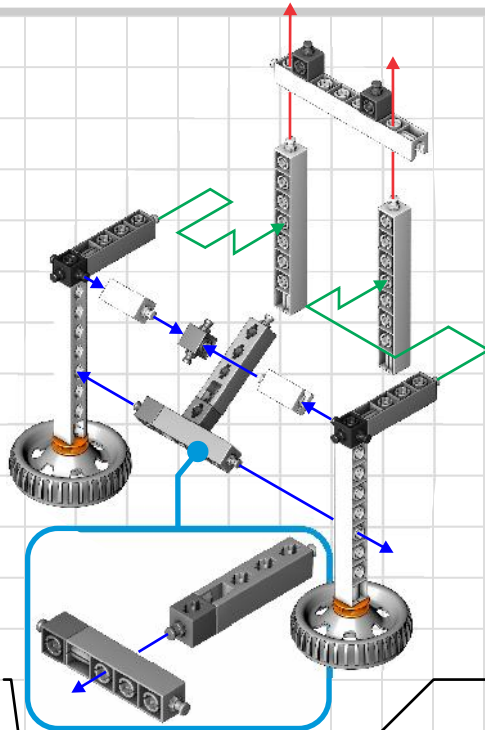




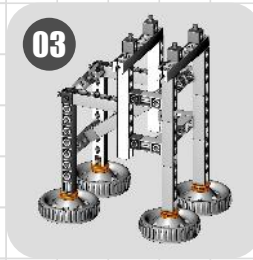
Crane



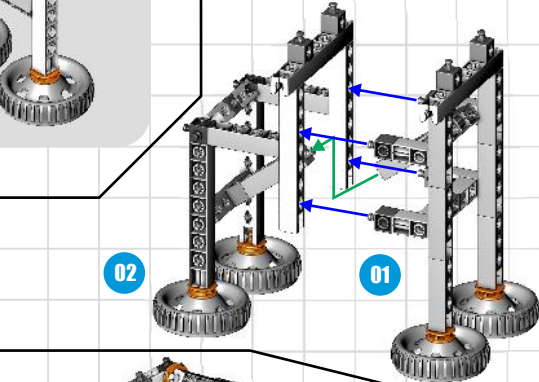
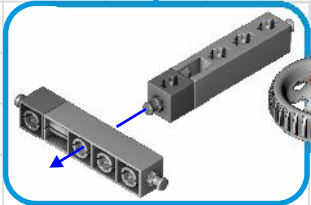
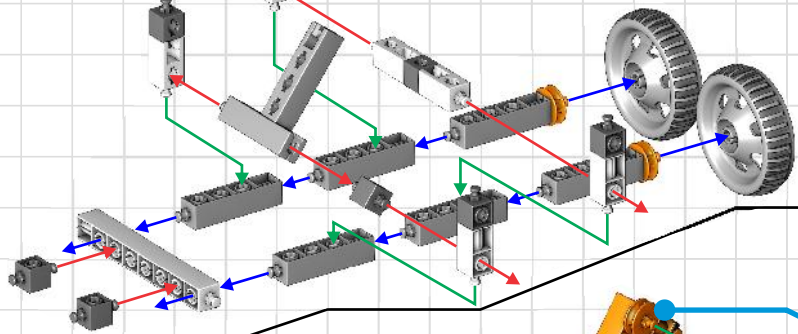
01



02

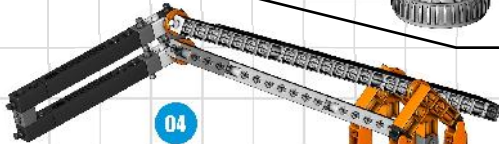


03

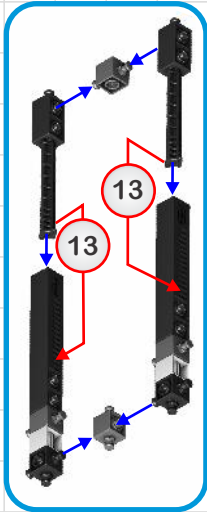


02

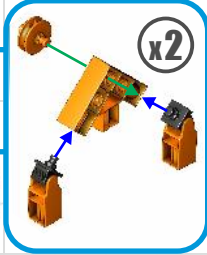
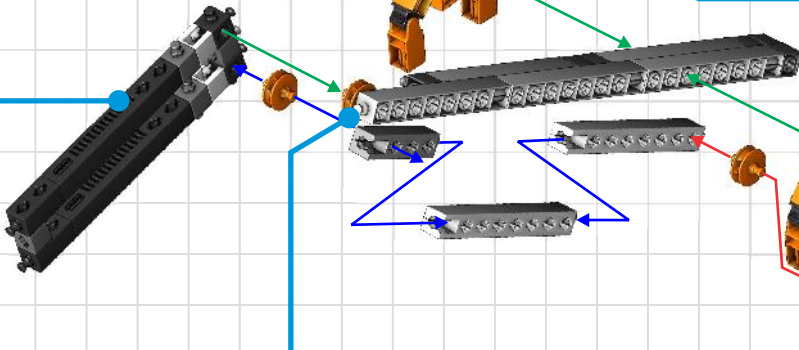
01



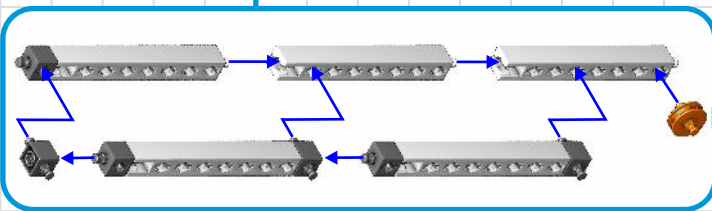
04



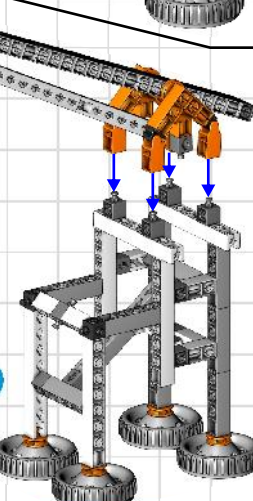
13



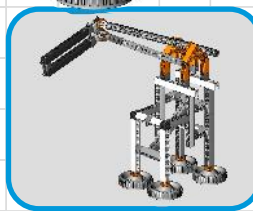
x2

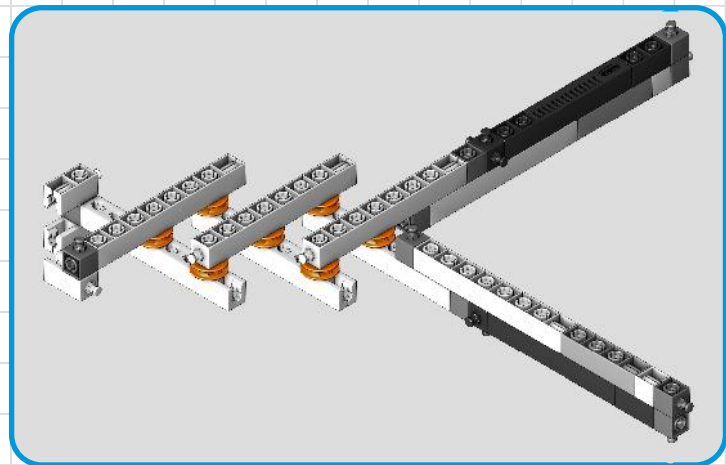
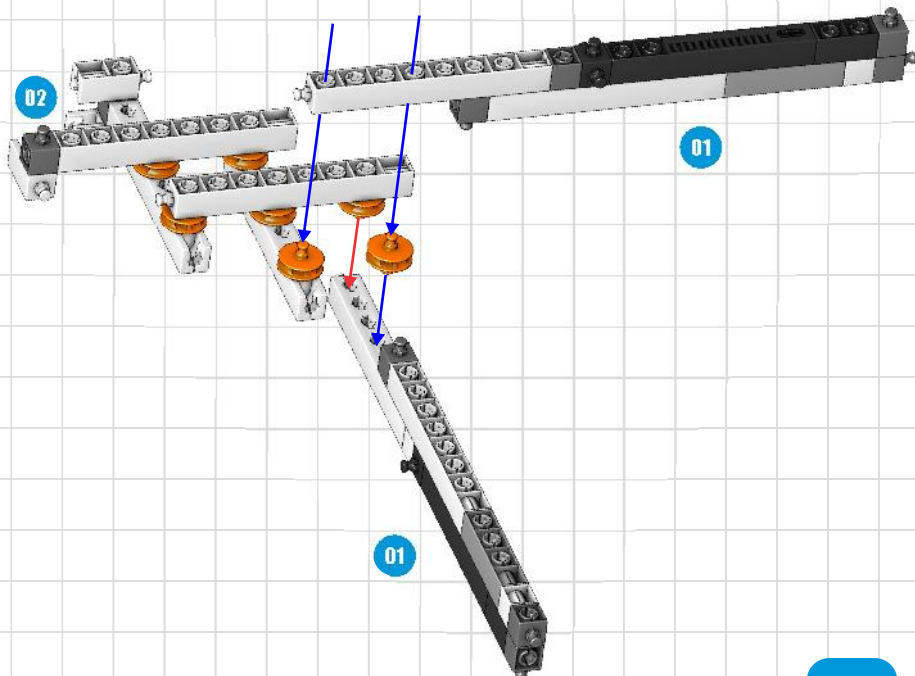
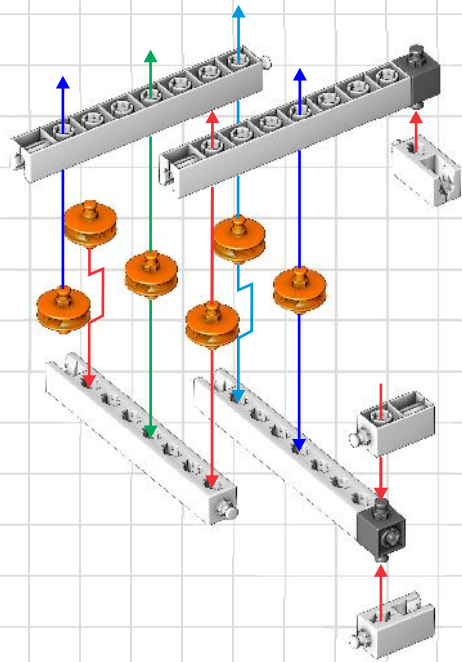
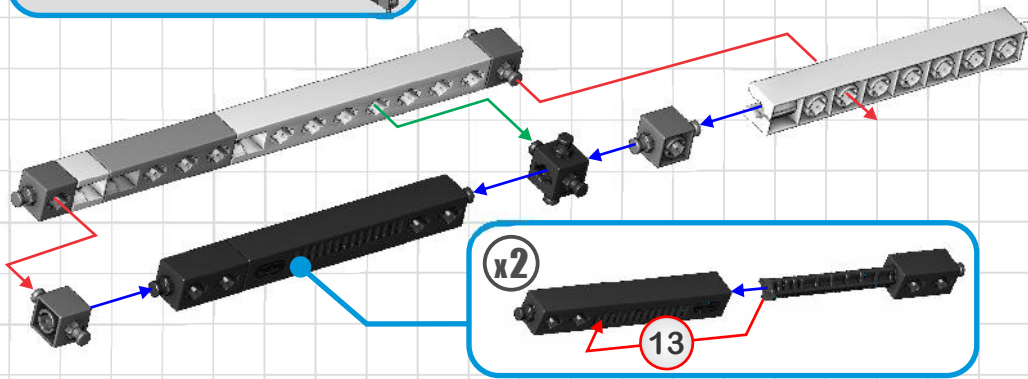
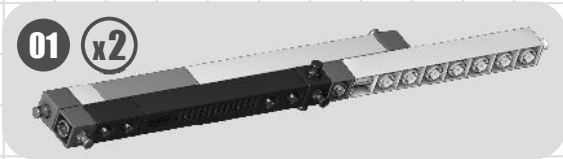
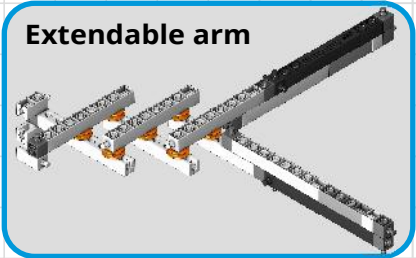


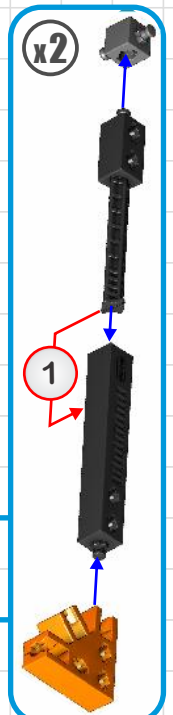
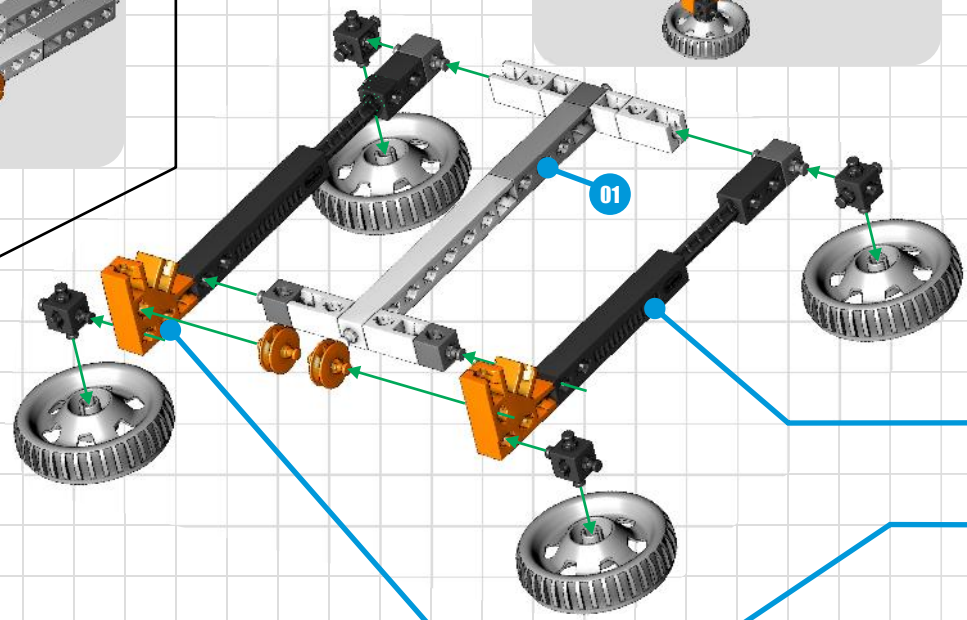
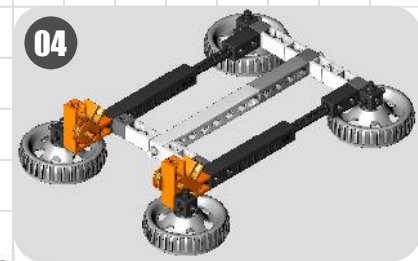
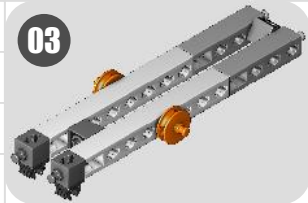
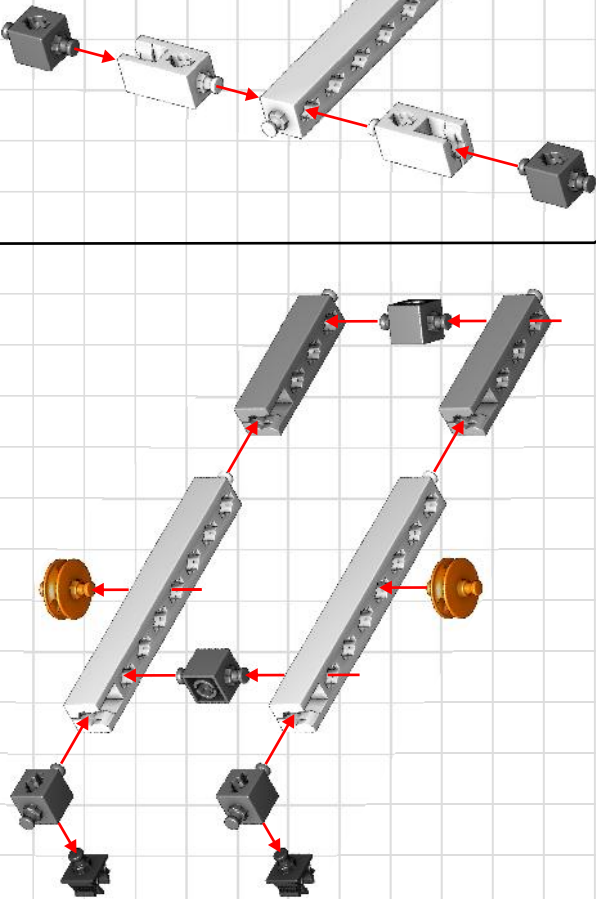
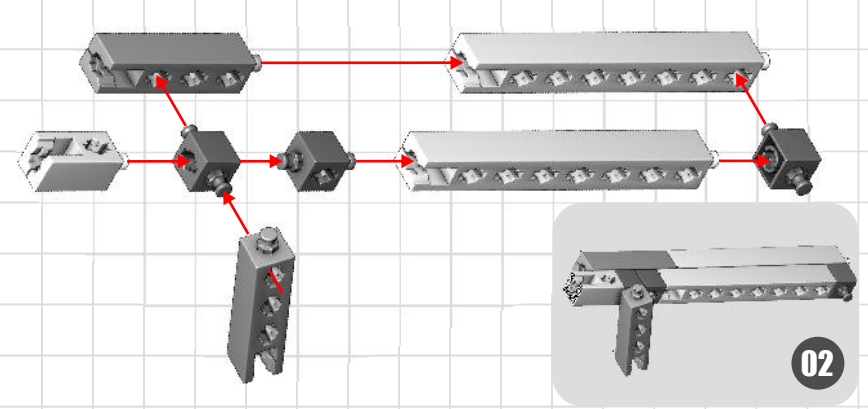
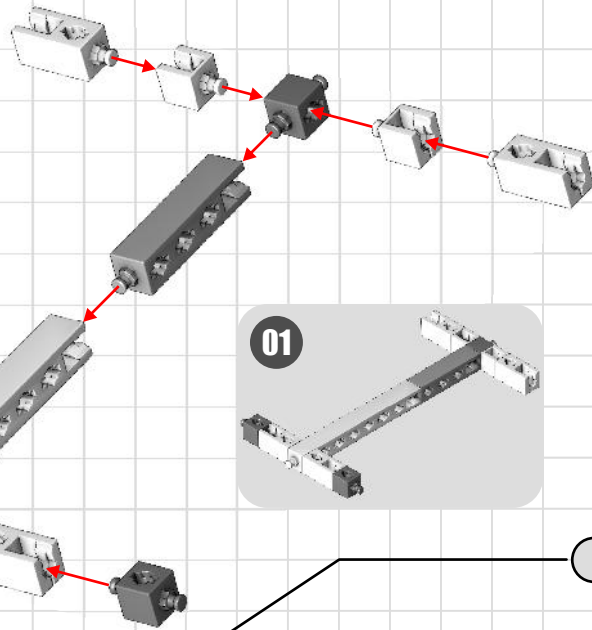
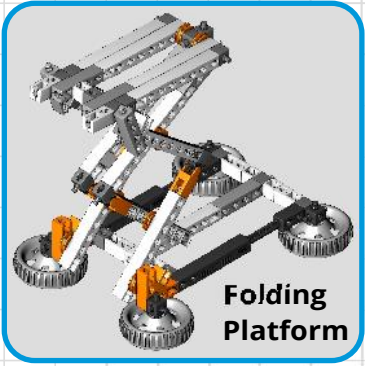
04

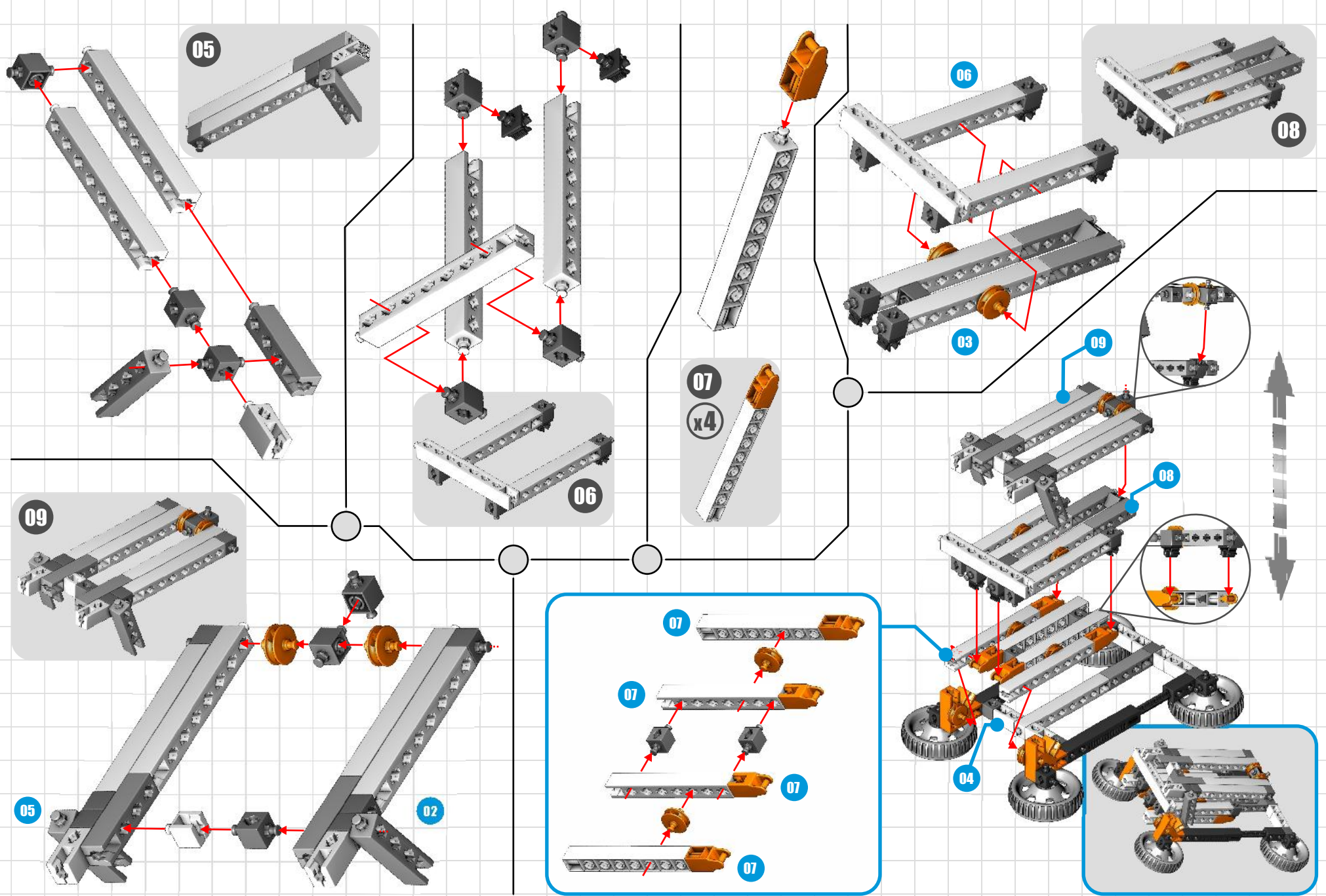


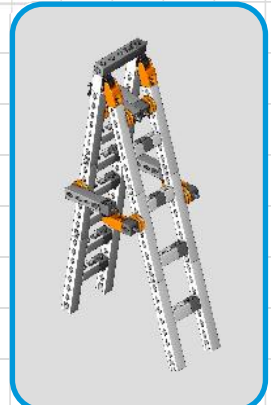
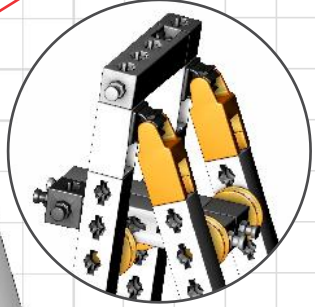
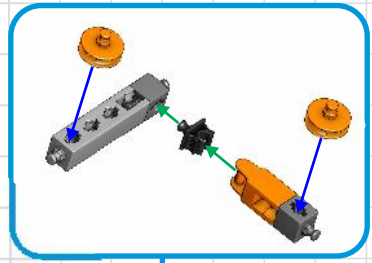
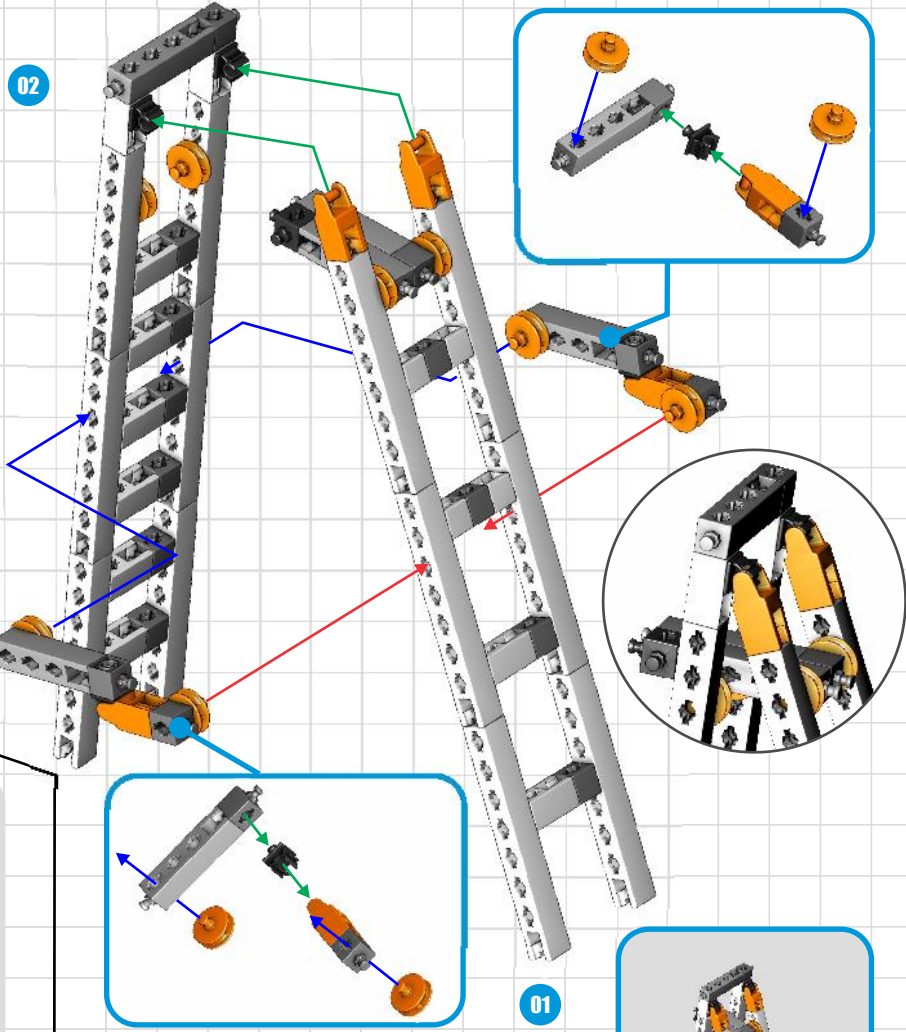
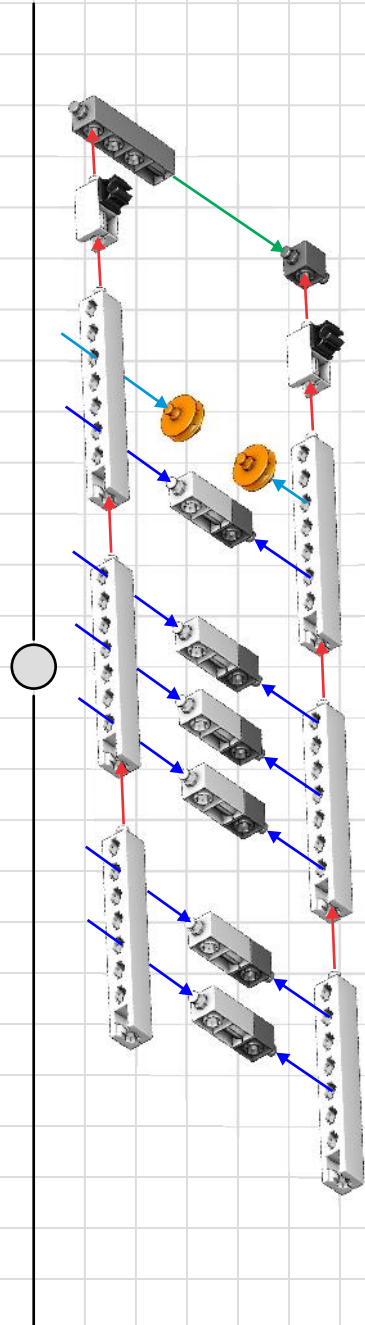
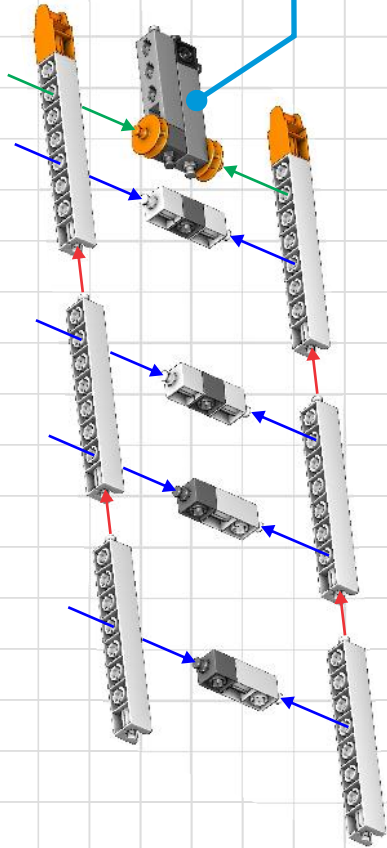
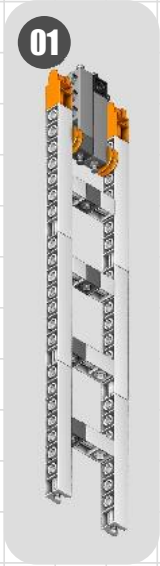
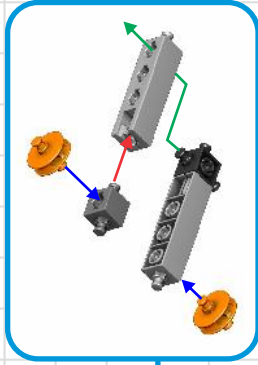
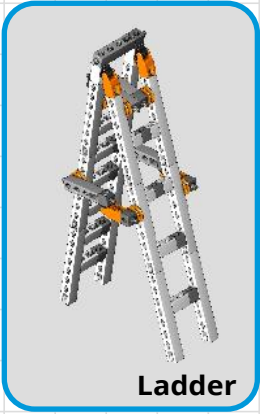
03

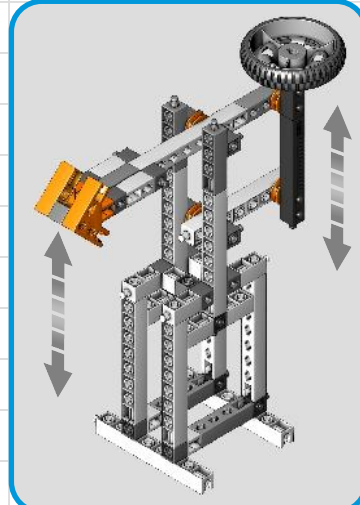
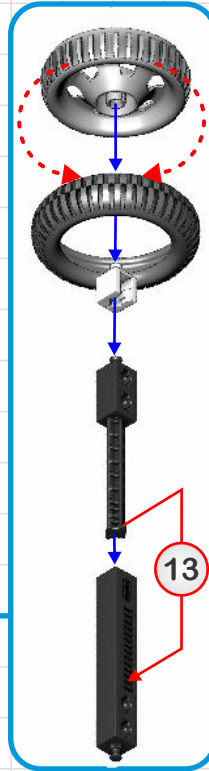
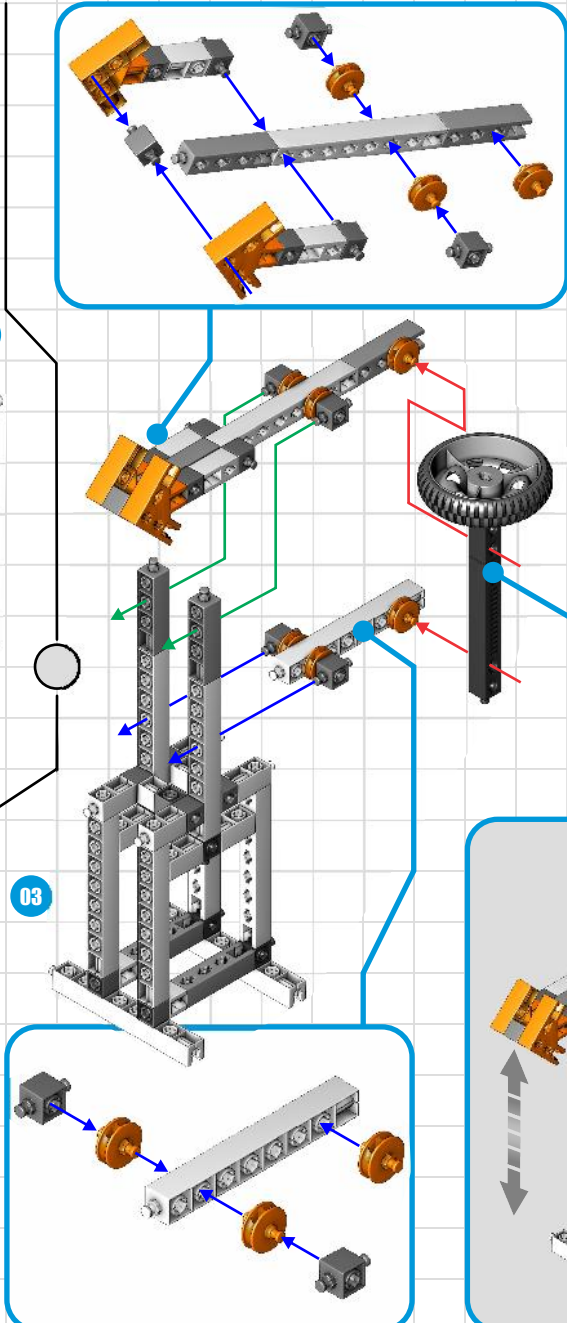
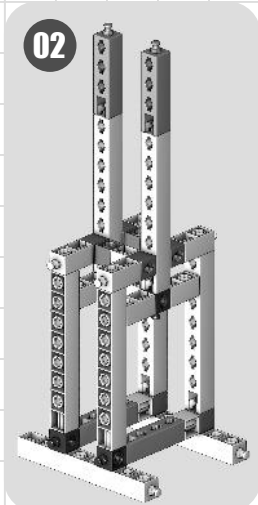
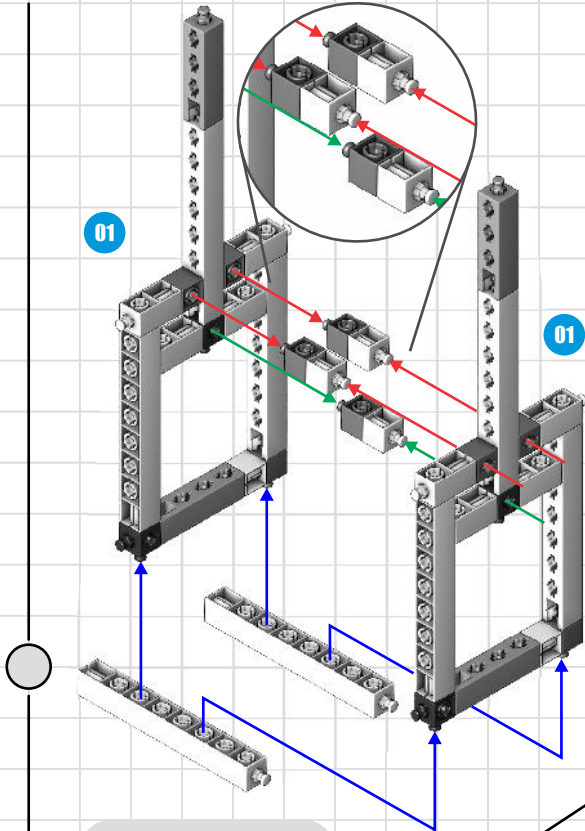
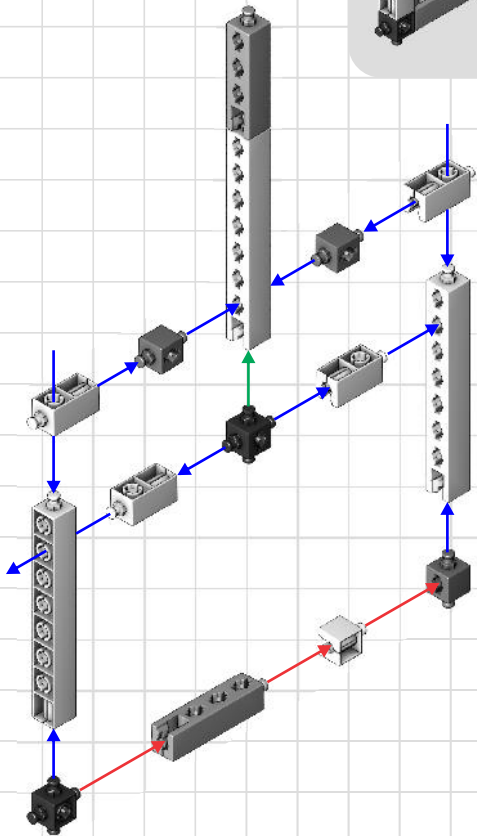
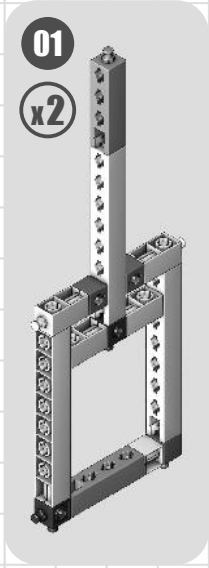
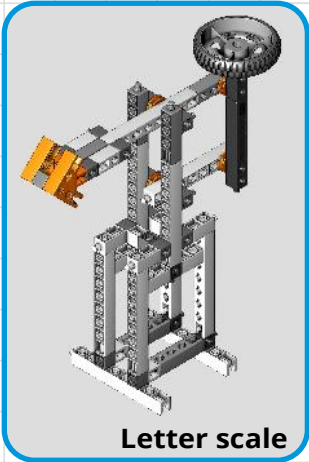




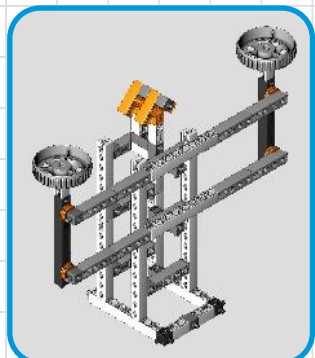
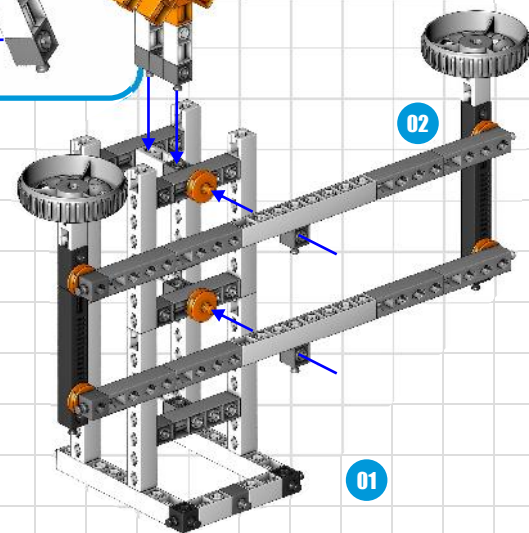
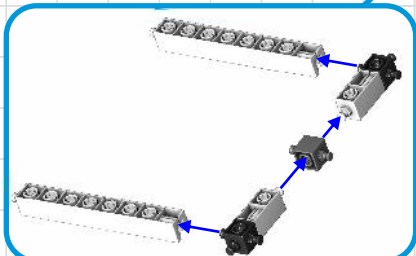
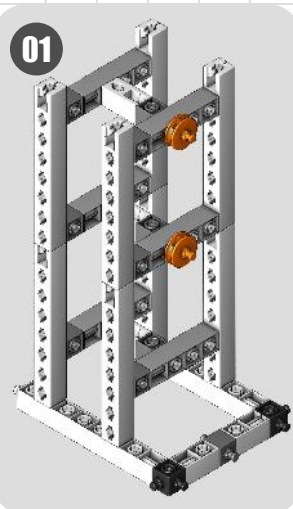
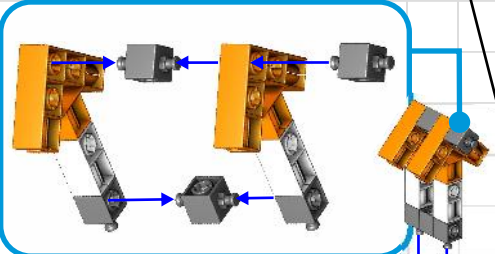
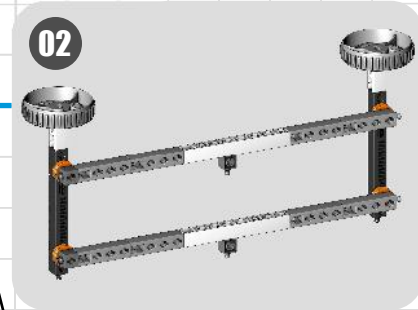
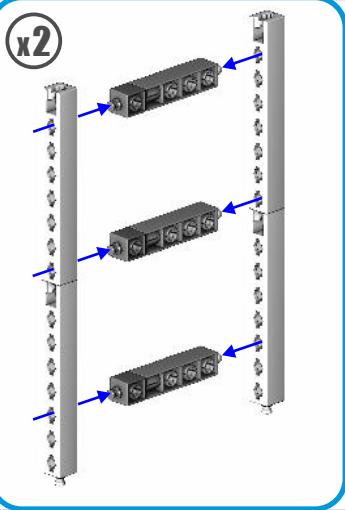
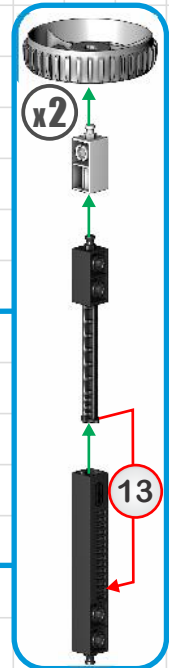
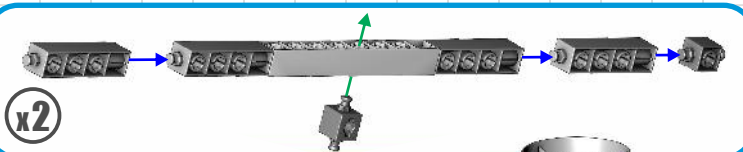
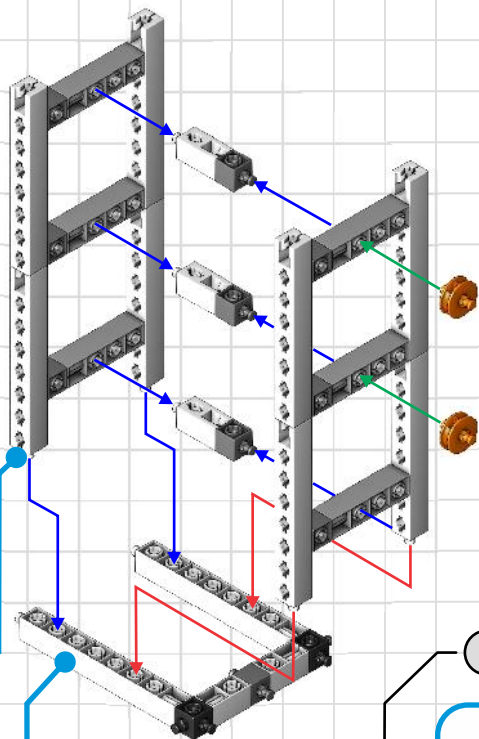
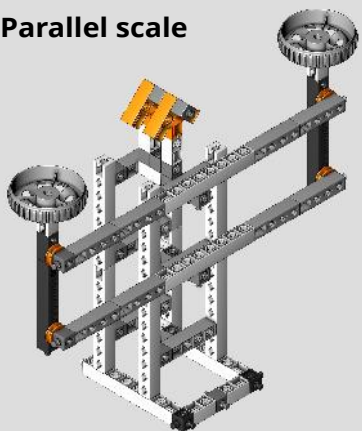


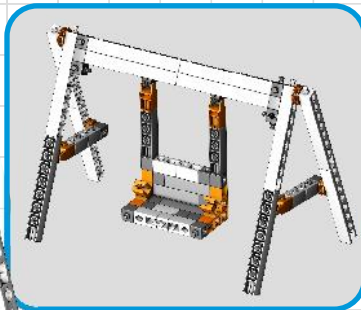
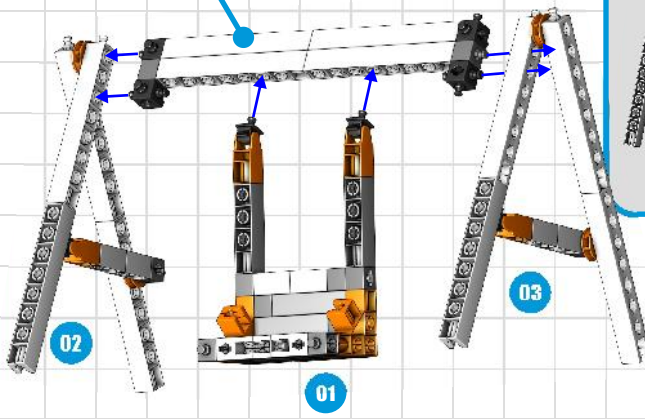
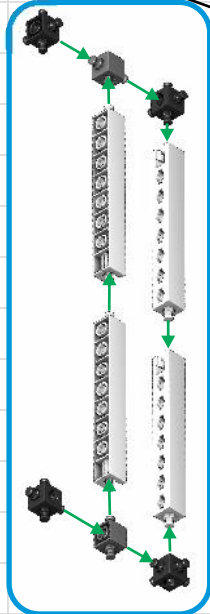
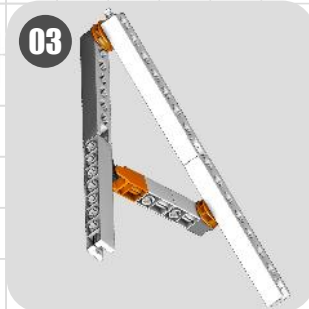
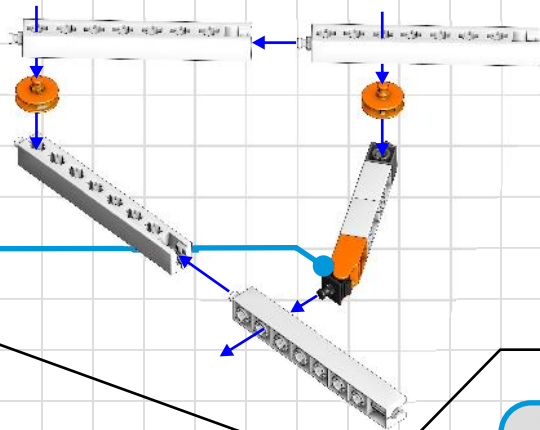
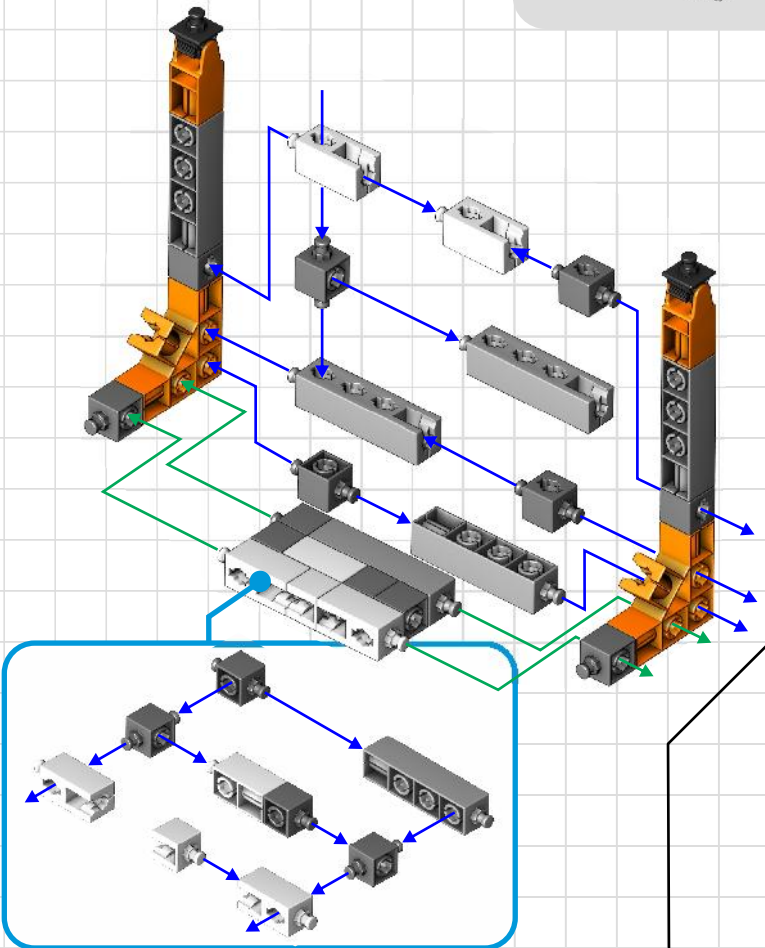
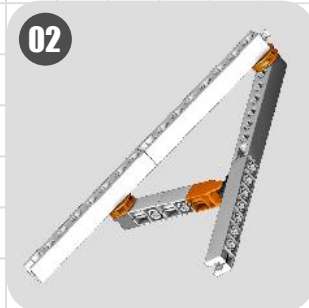
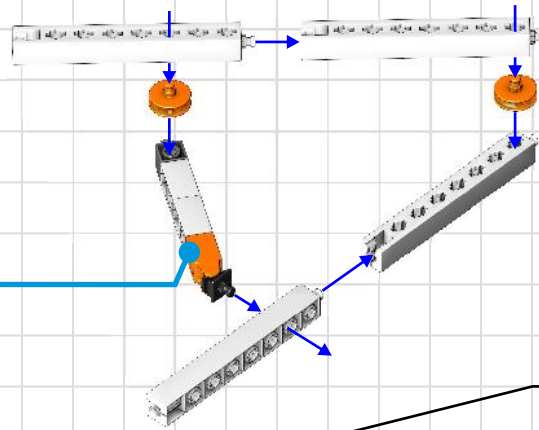
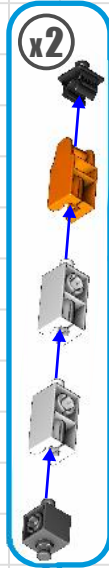
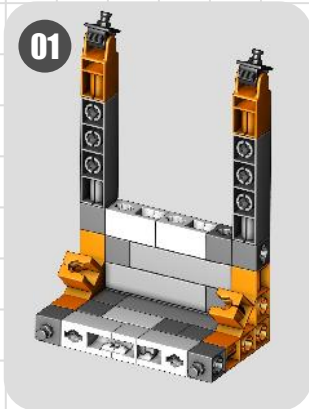
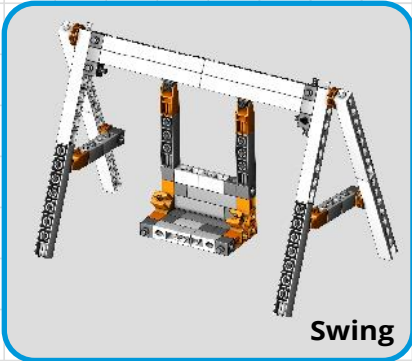


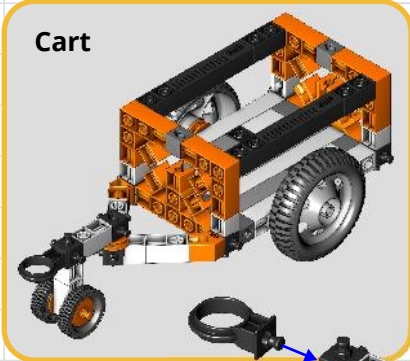




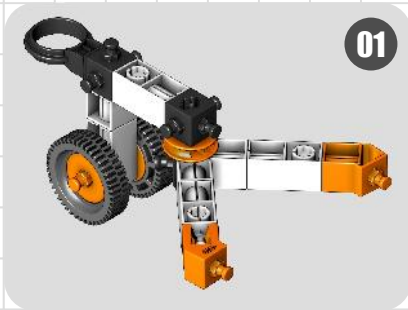
Parallel scale



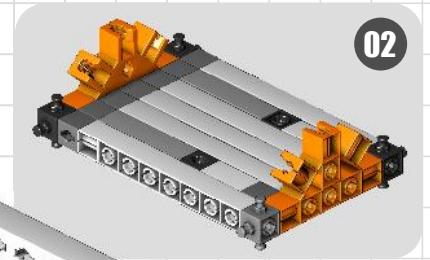




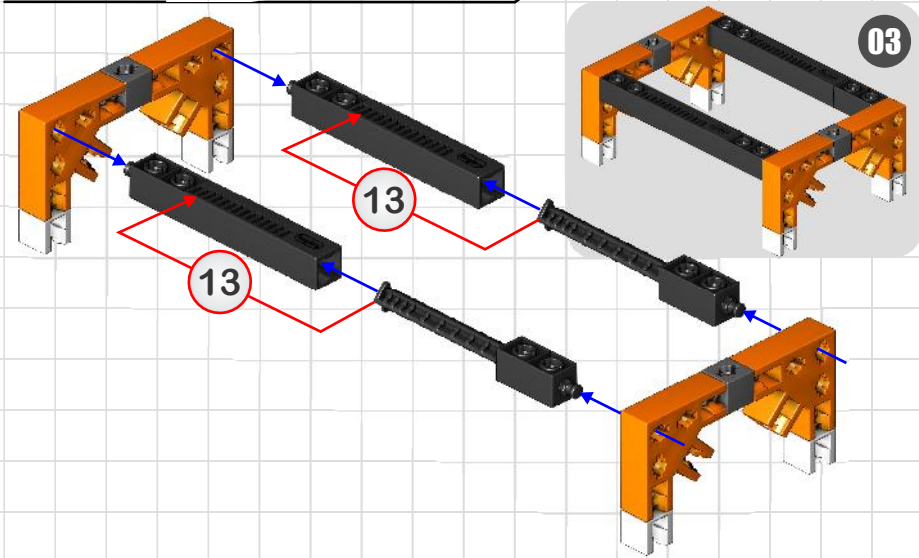
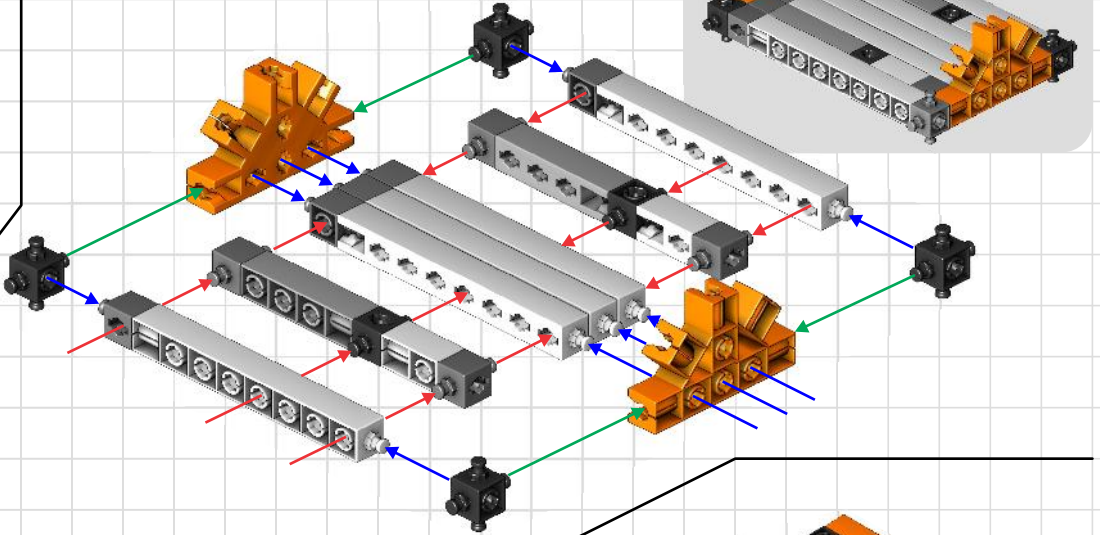
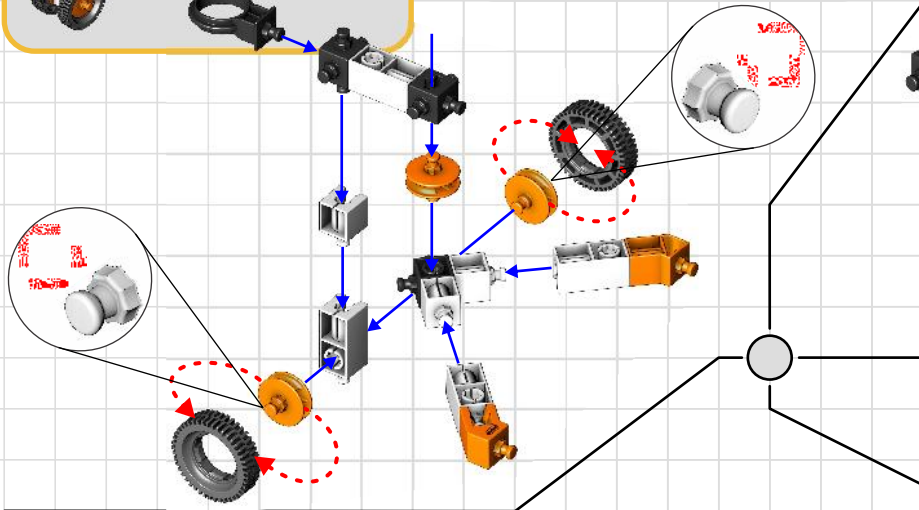
Cart



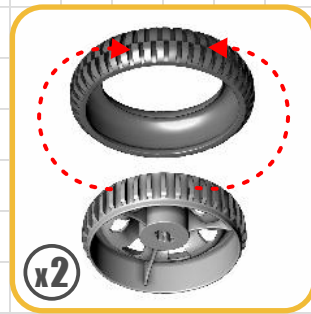
01



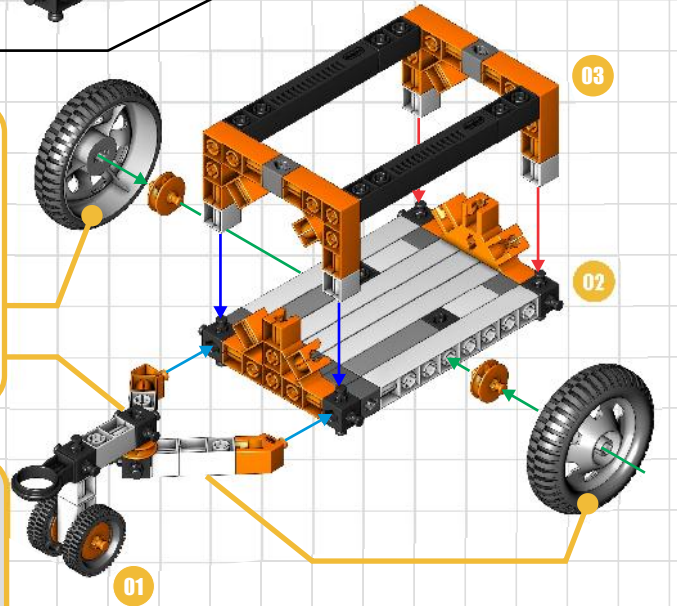
02



03



x2

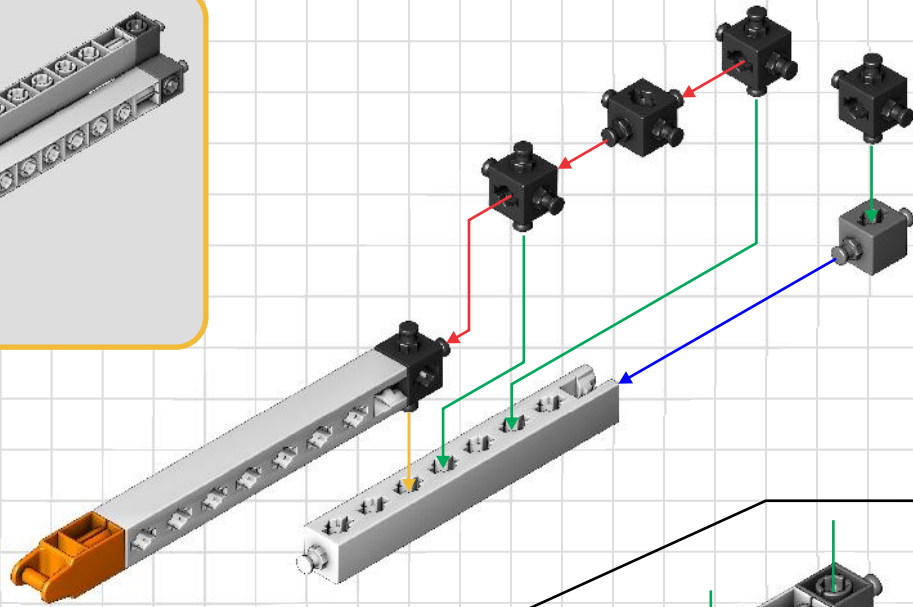
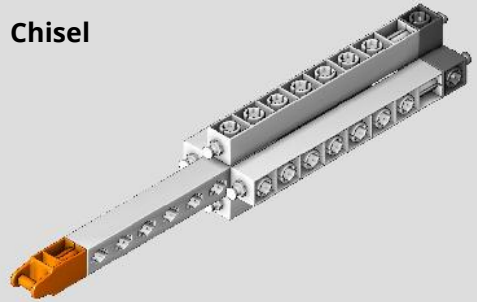


03

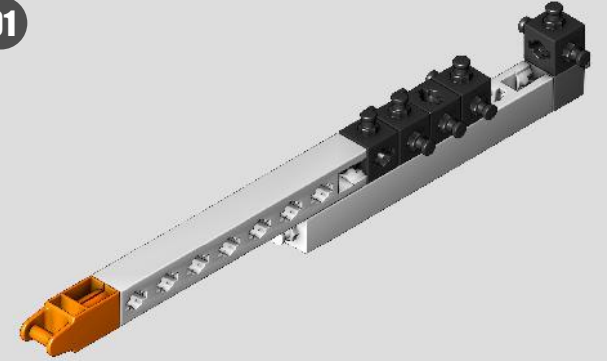
02

01

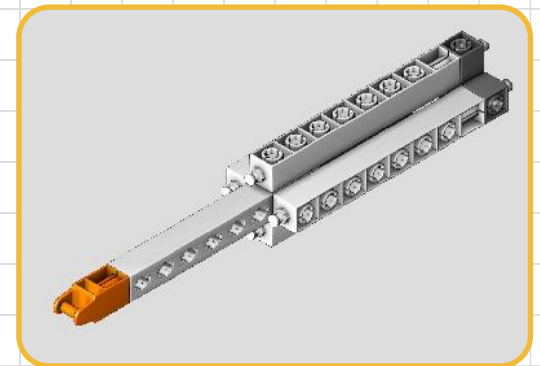
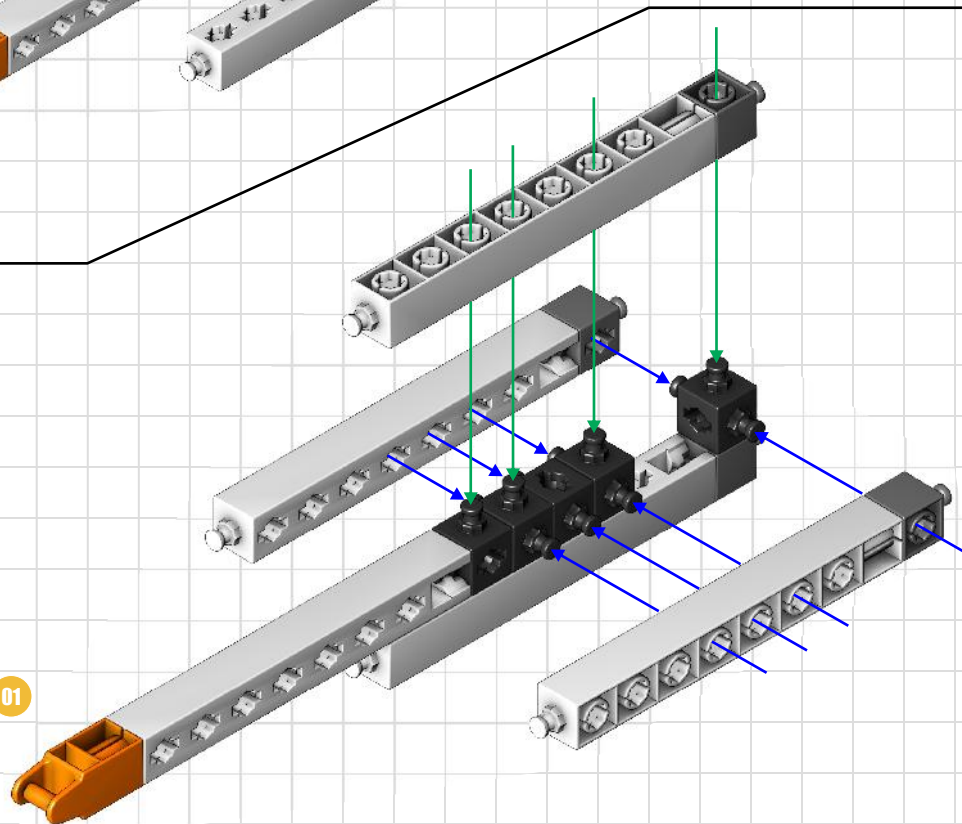
Chisel



01

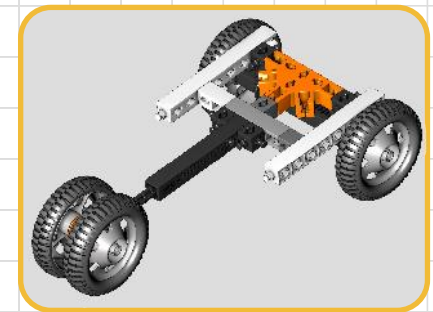
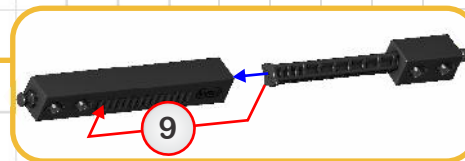
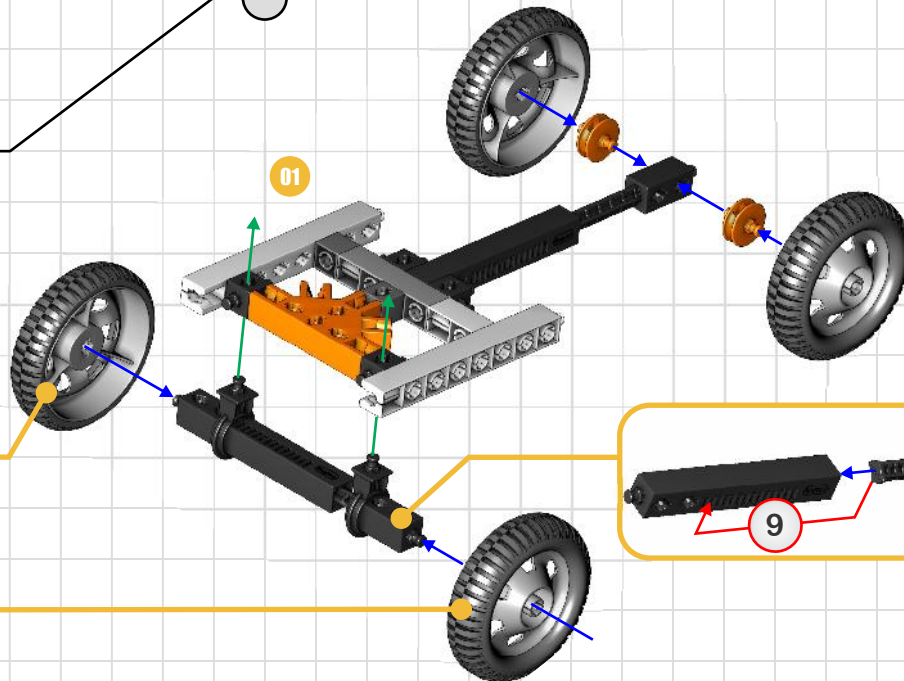
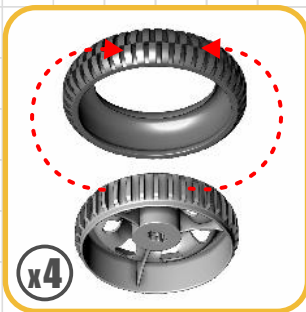
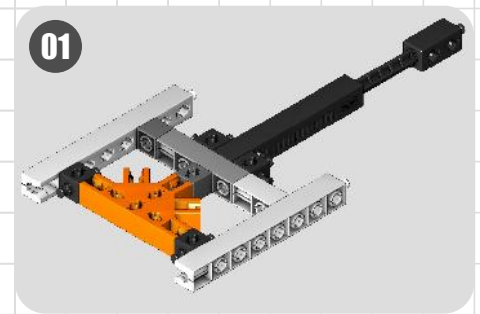
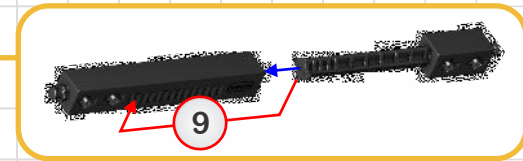
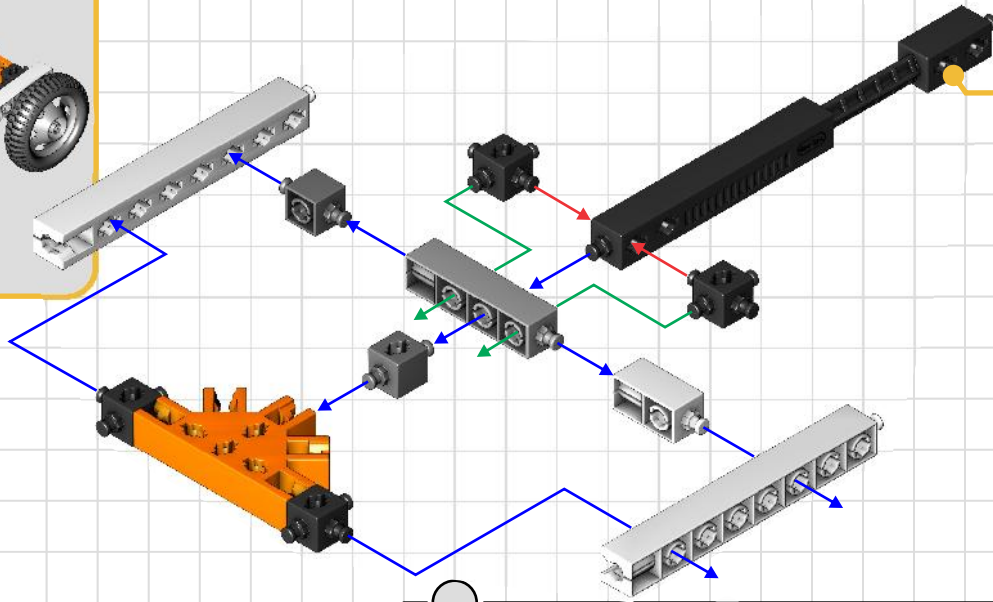
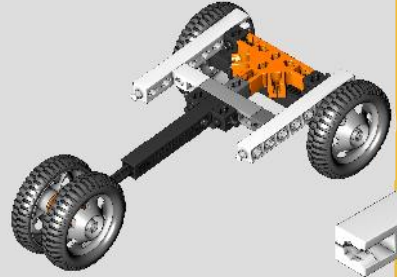


01

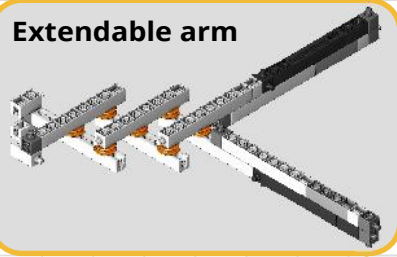


01

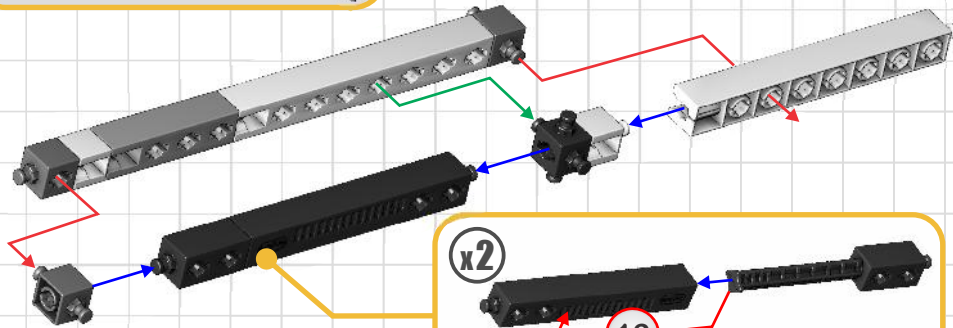
Experimental car



Extendable arm

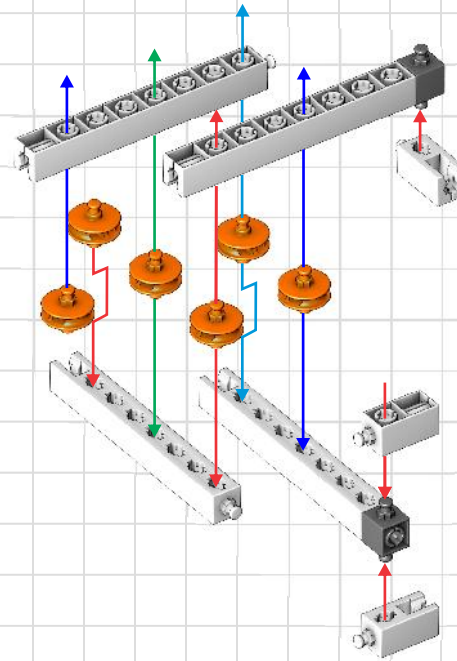
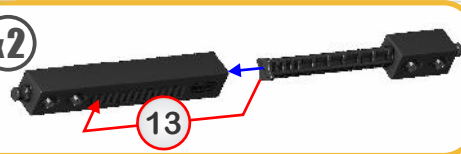


01 x2

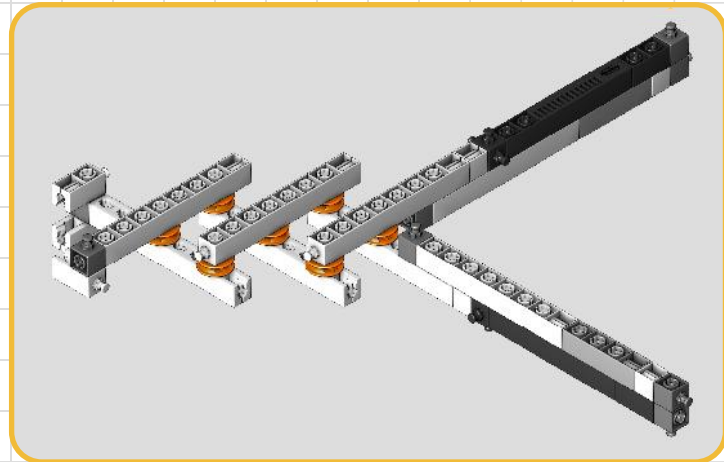
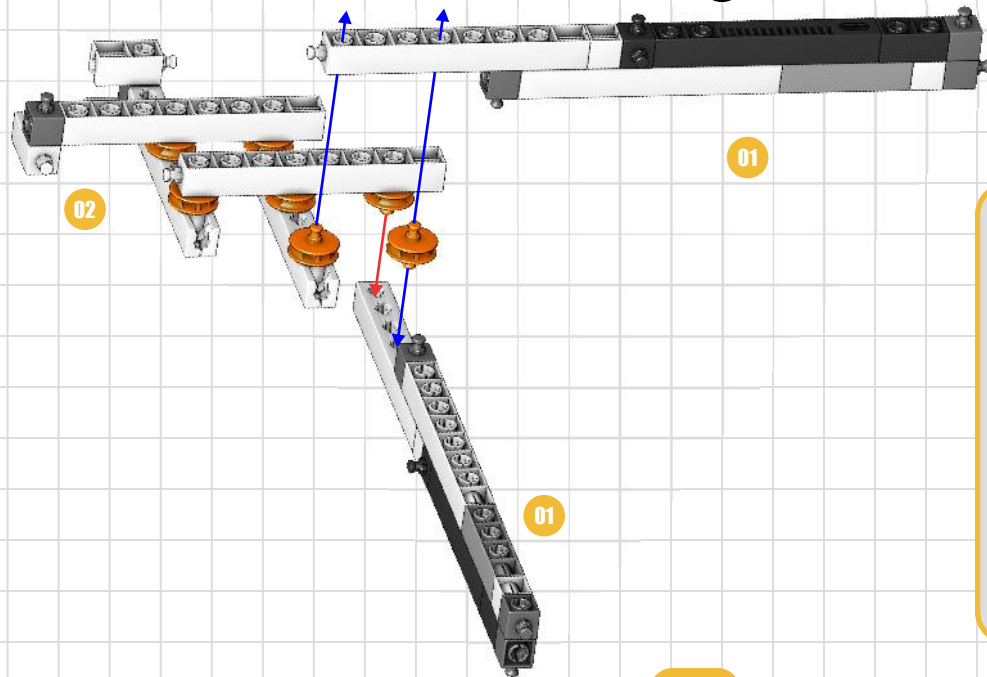
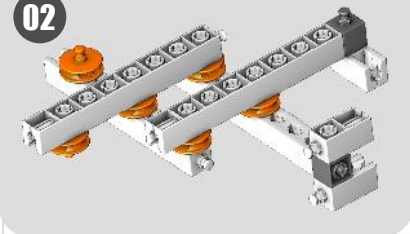


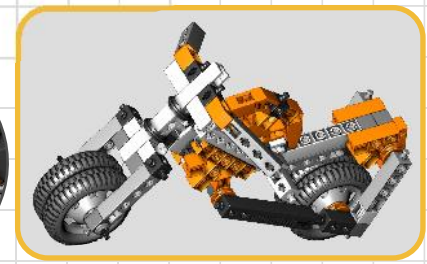
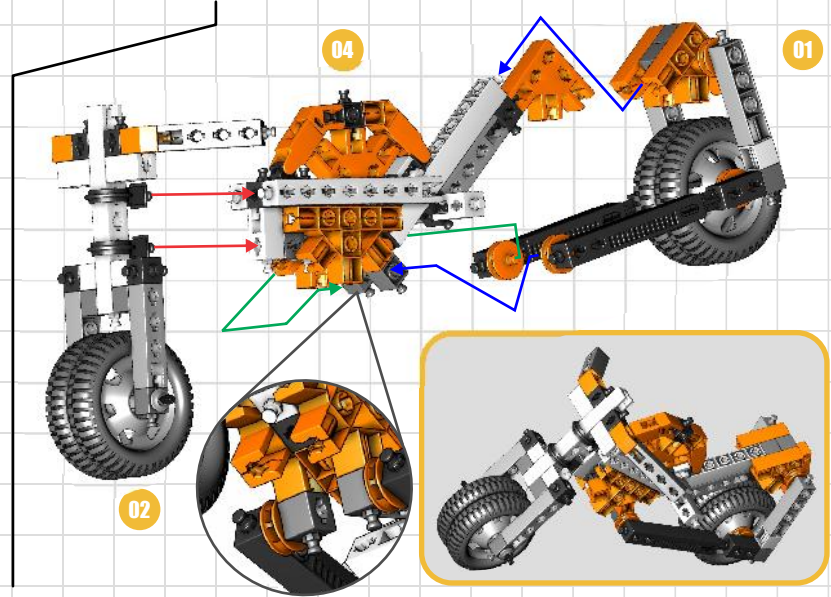
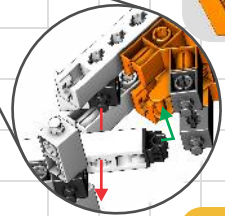
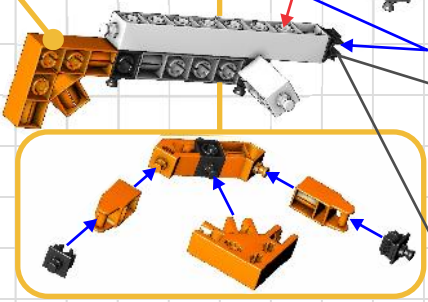
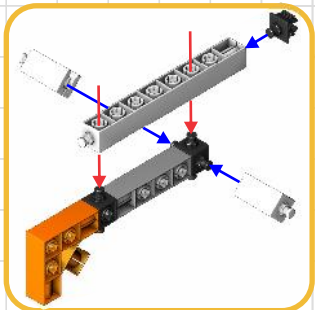
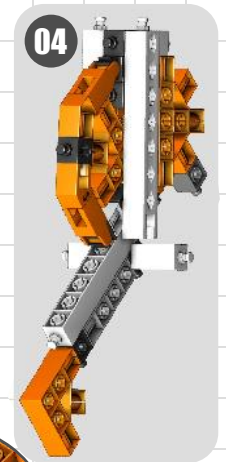
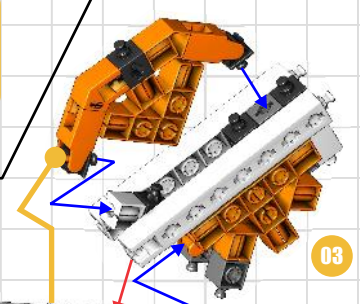
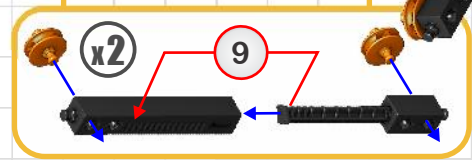
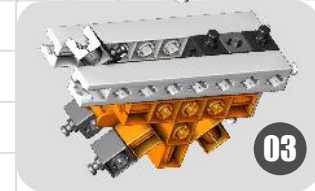
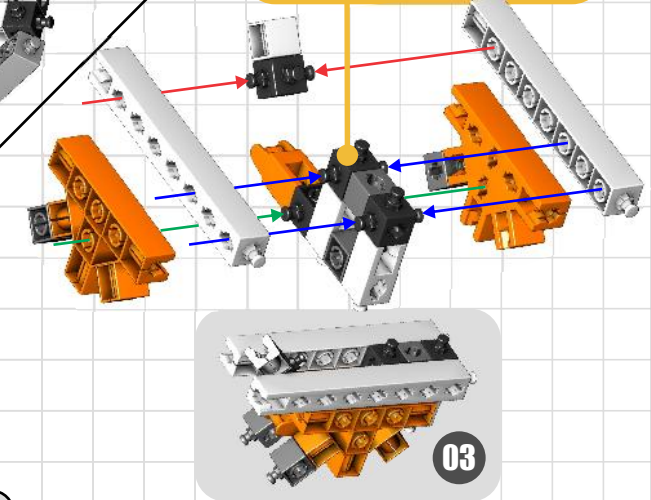
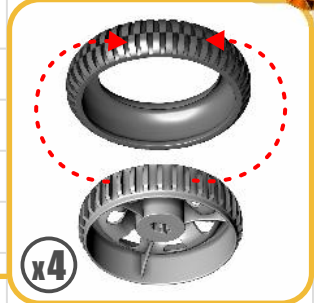
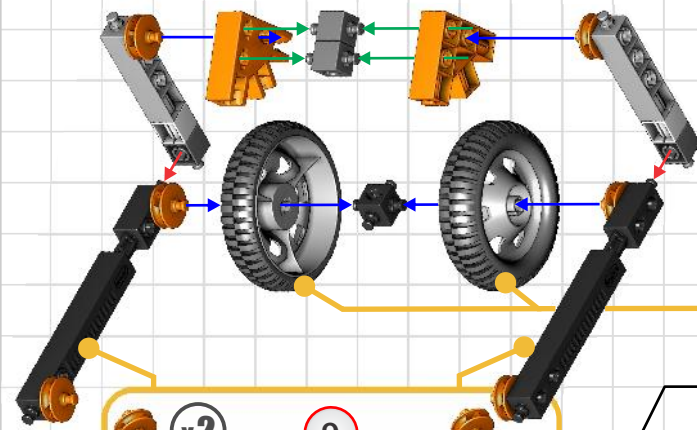
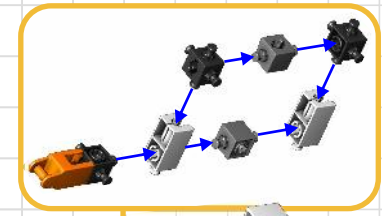
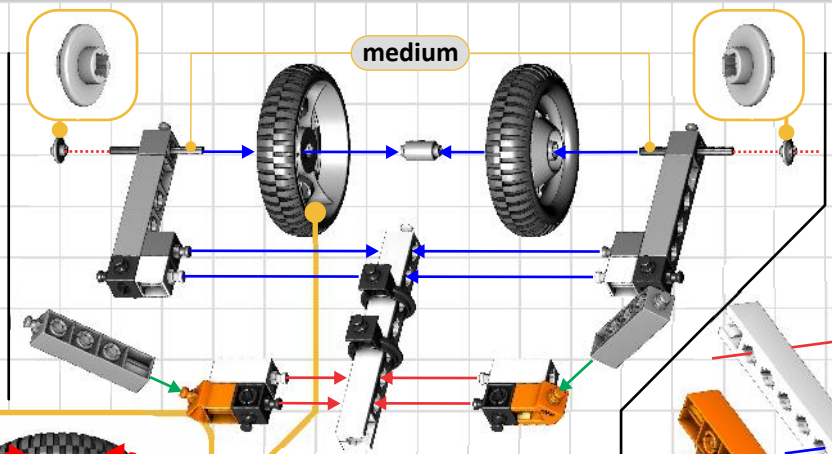
x2

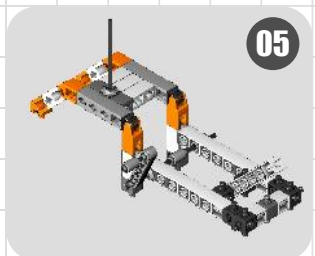
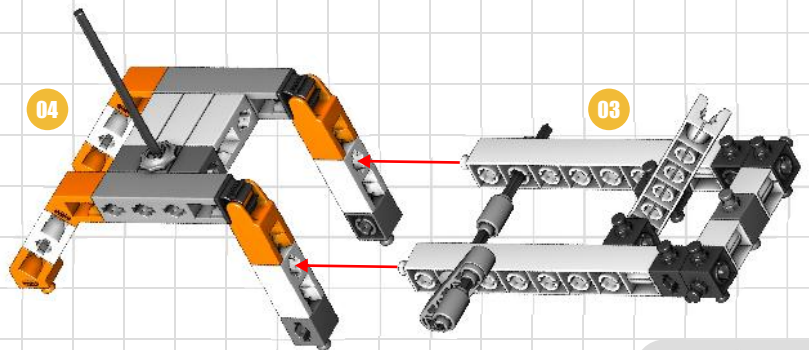
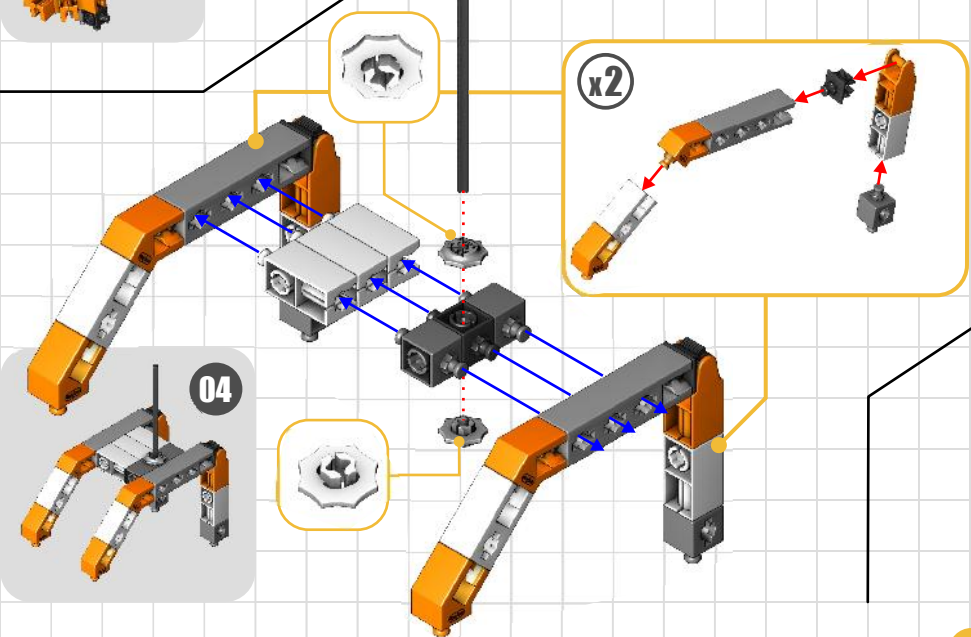
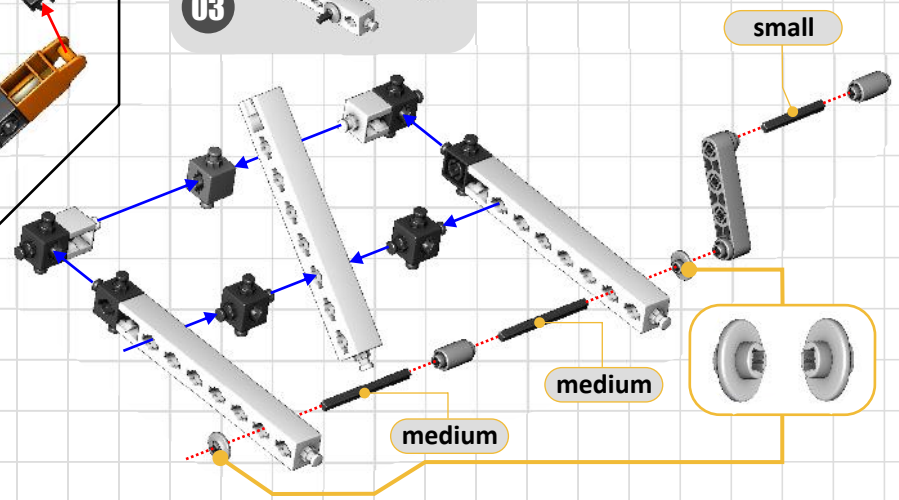
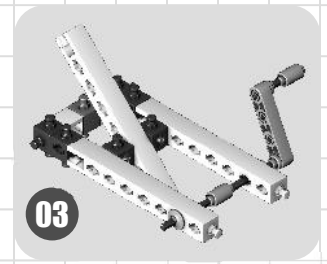
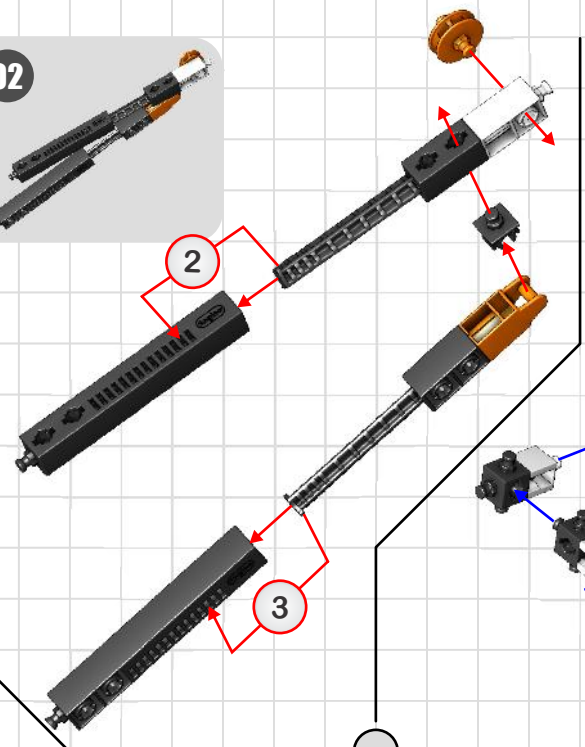
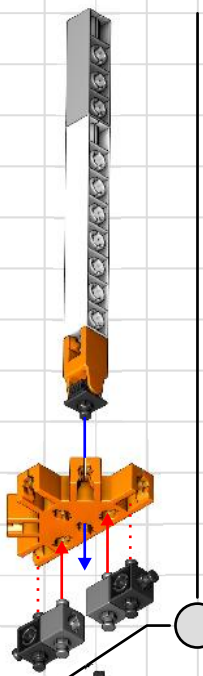
13

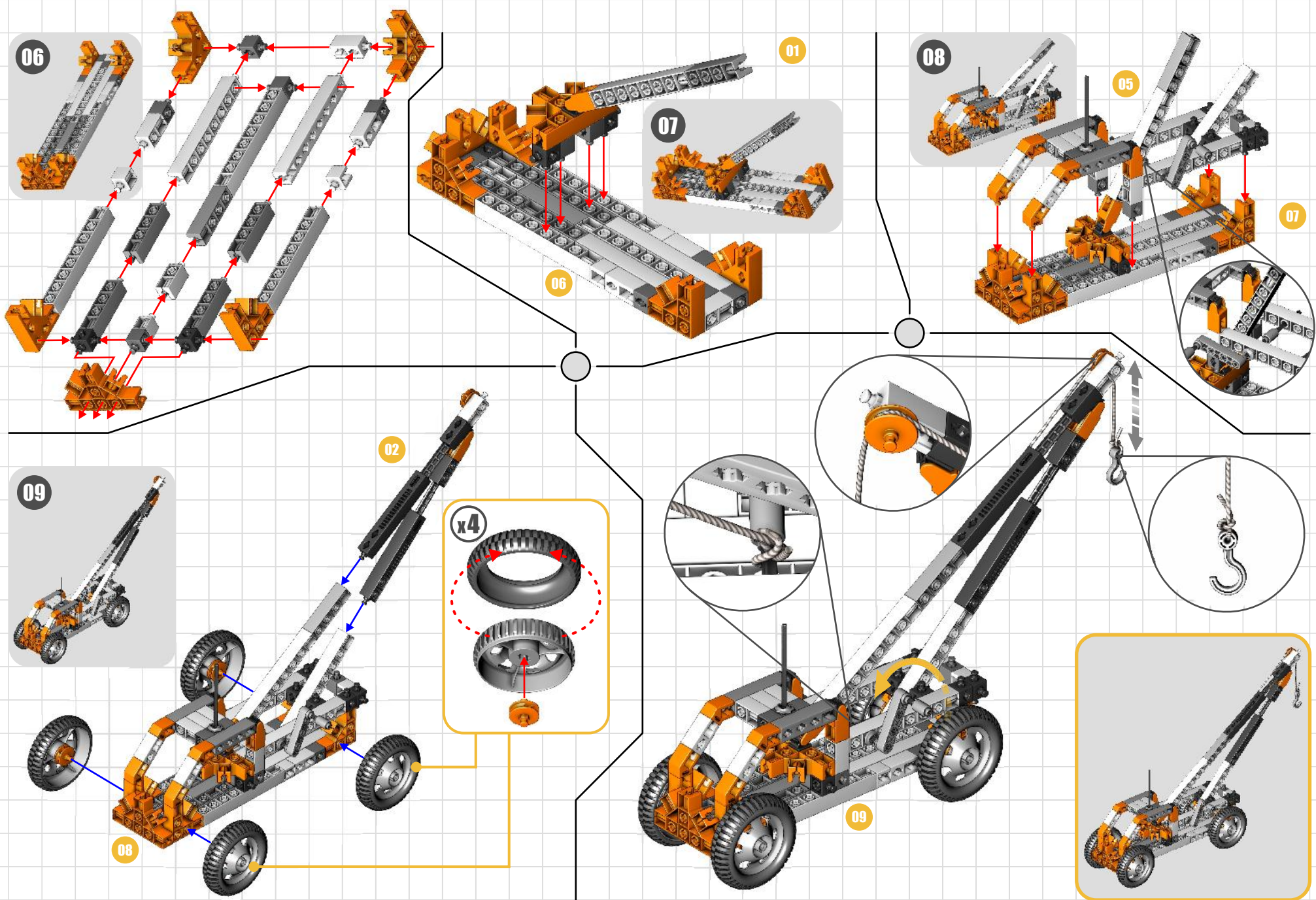


02

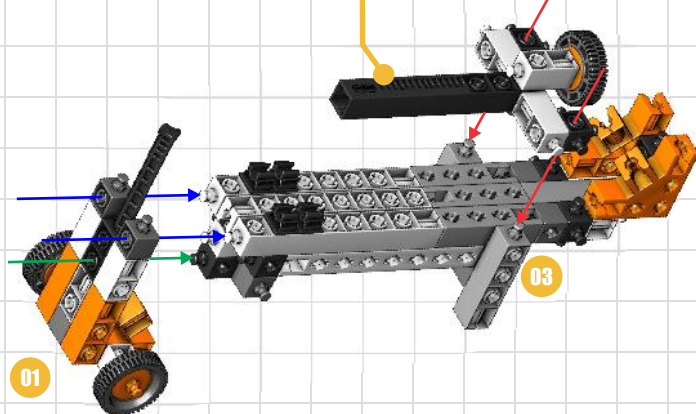
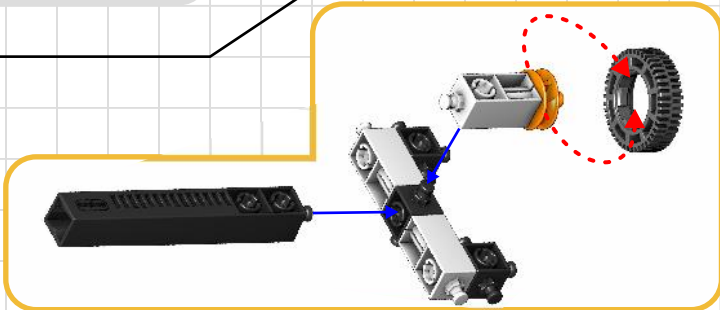
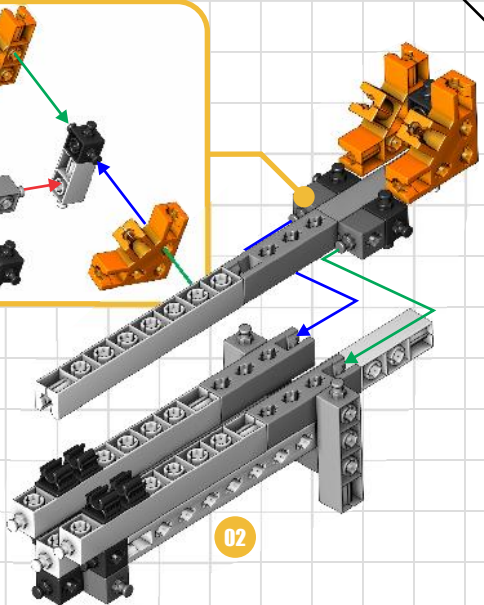
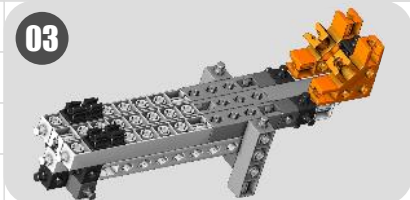
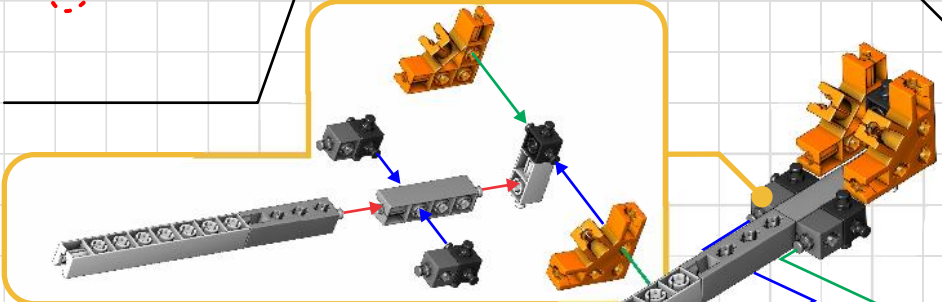
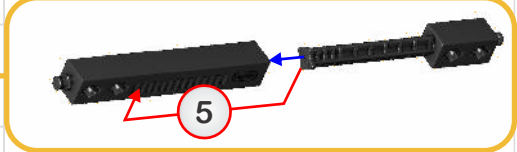
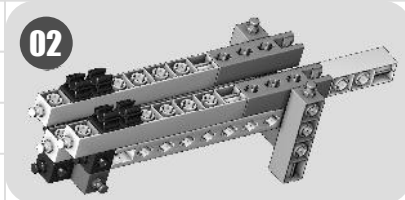
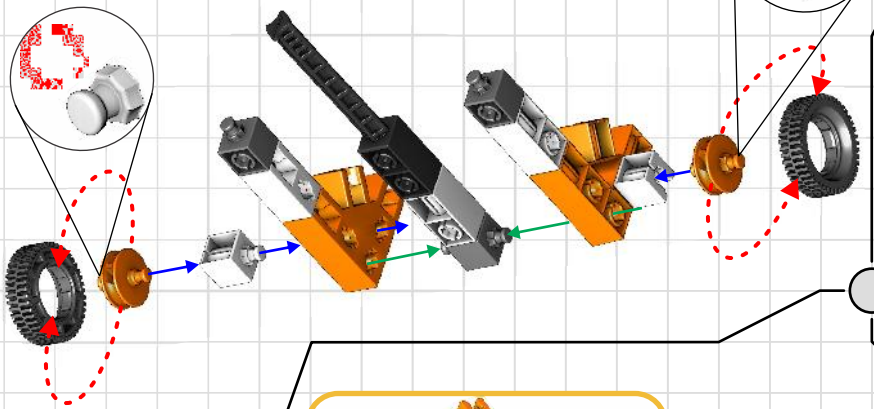
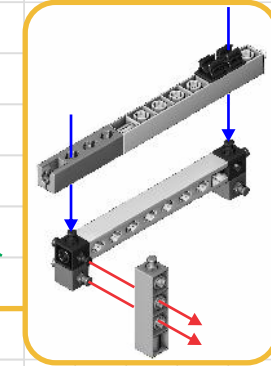
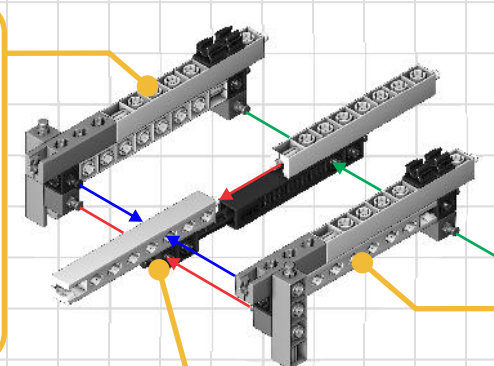
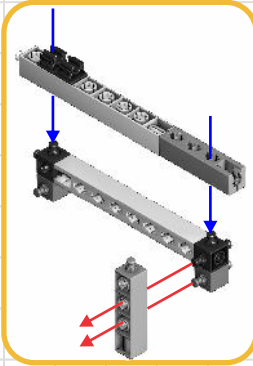
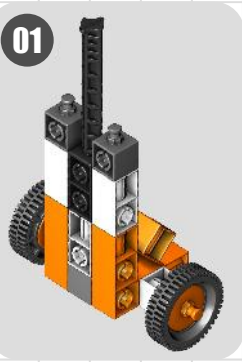
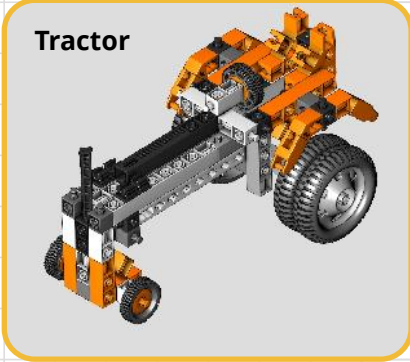


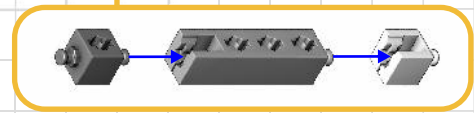
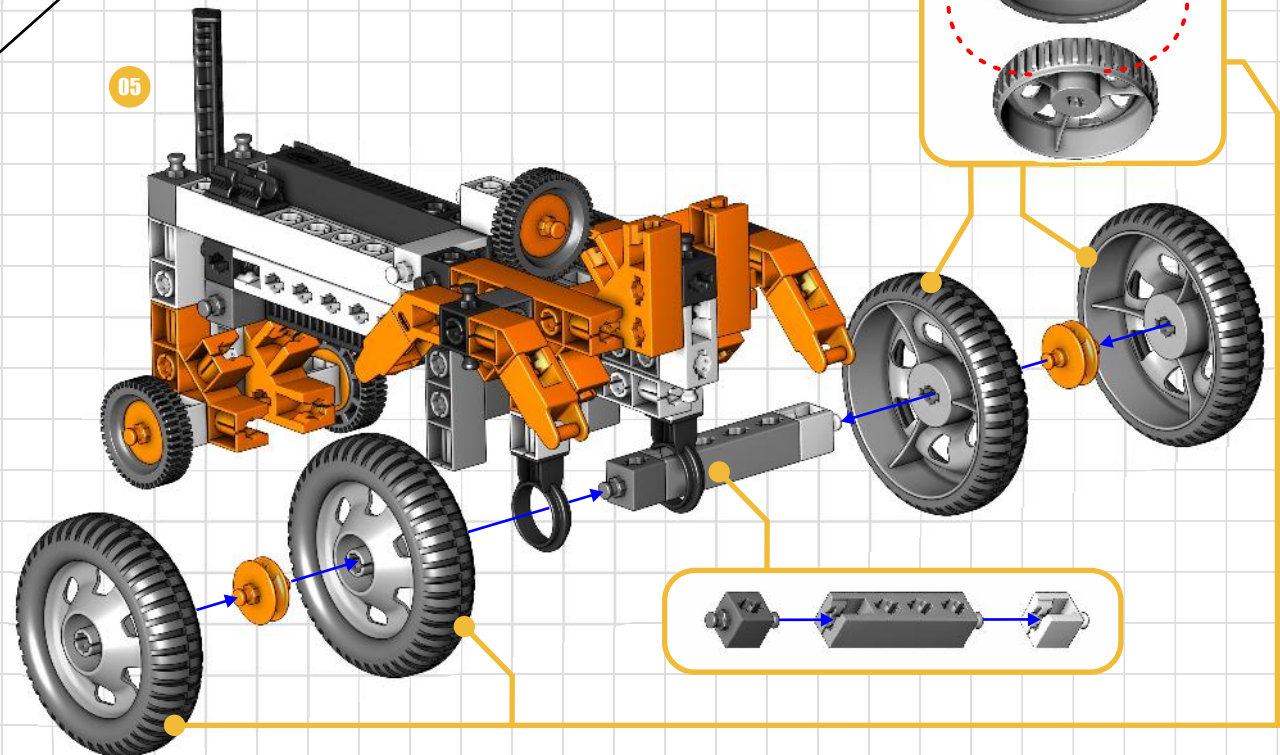
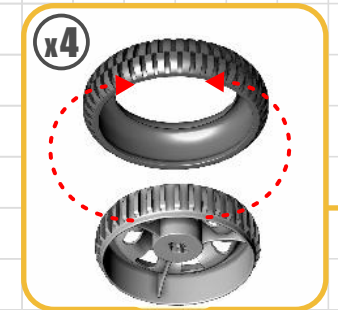
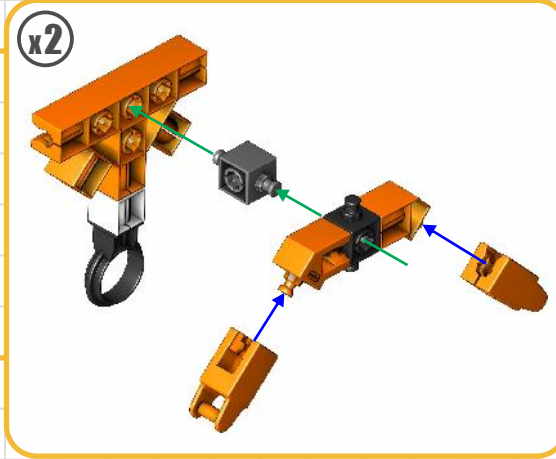
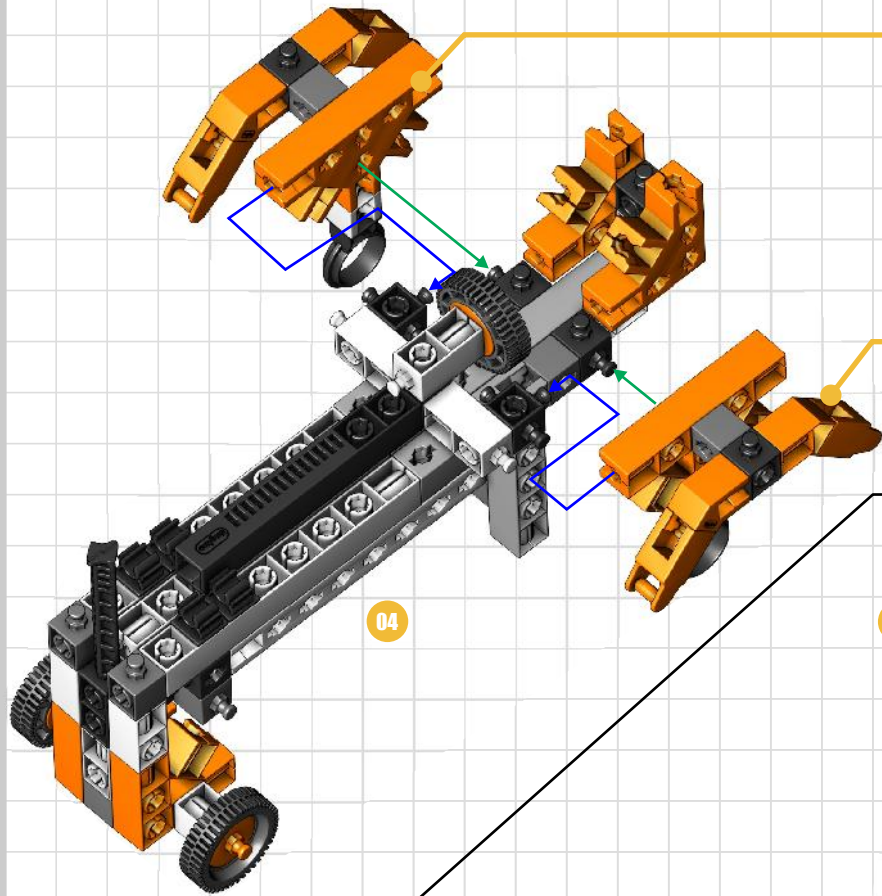




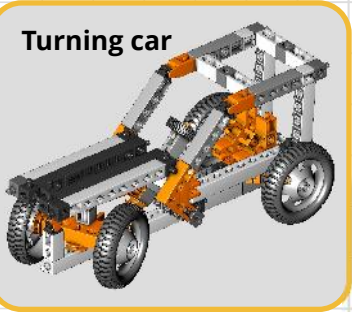


Tractor





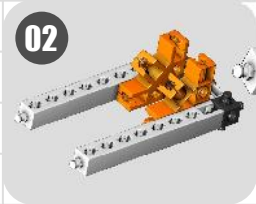
Turning car



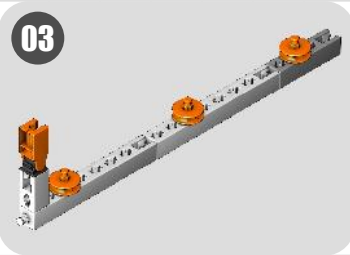
01



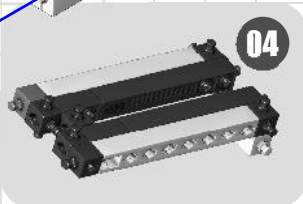
02



03



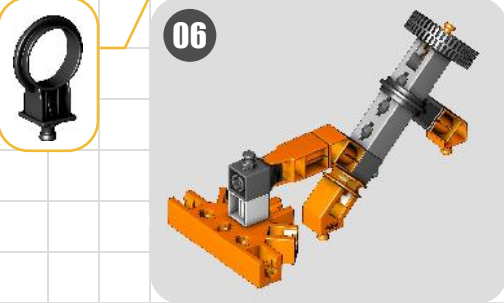
04



05

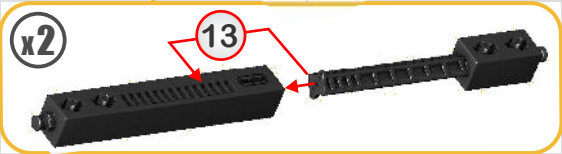


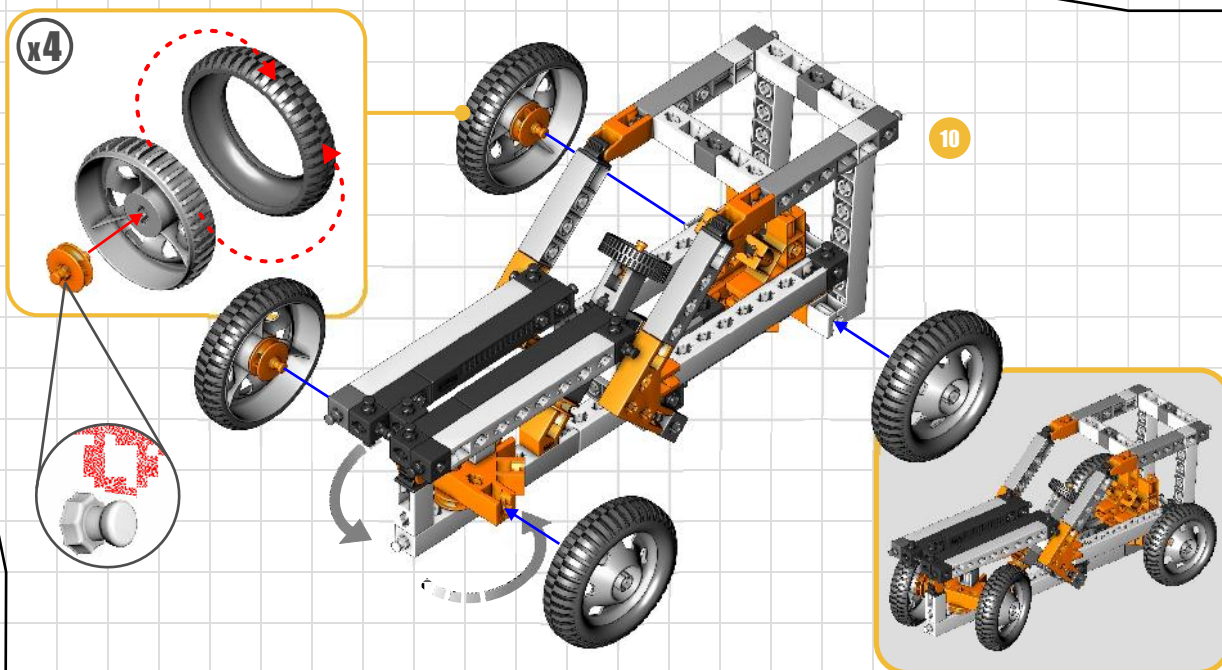
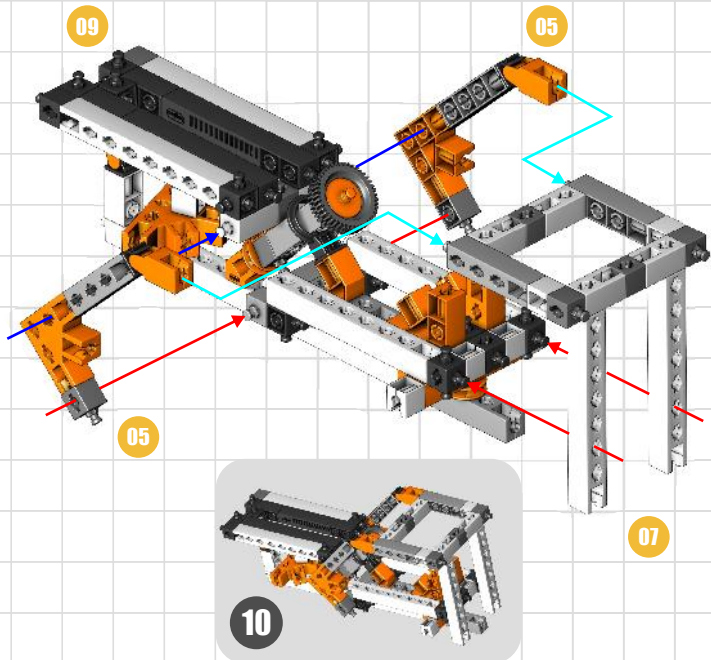
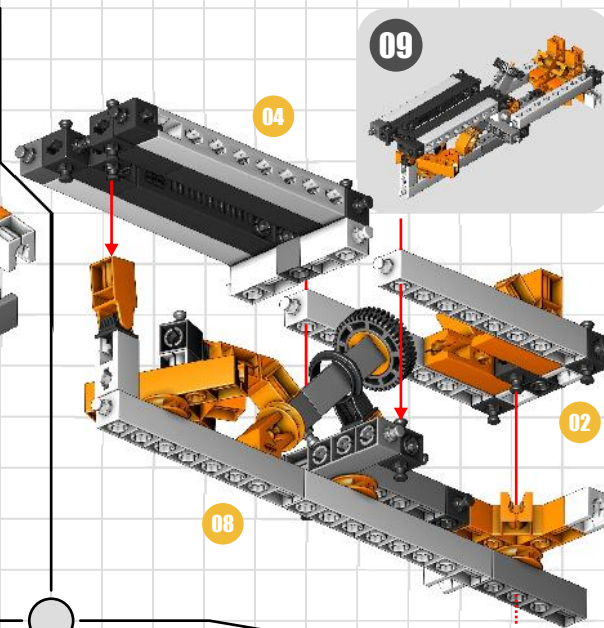
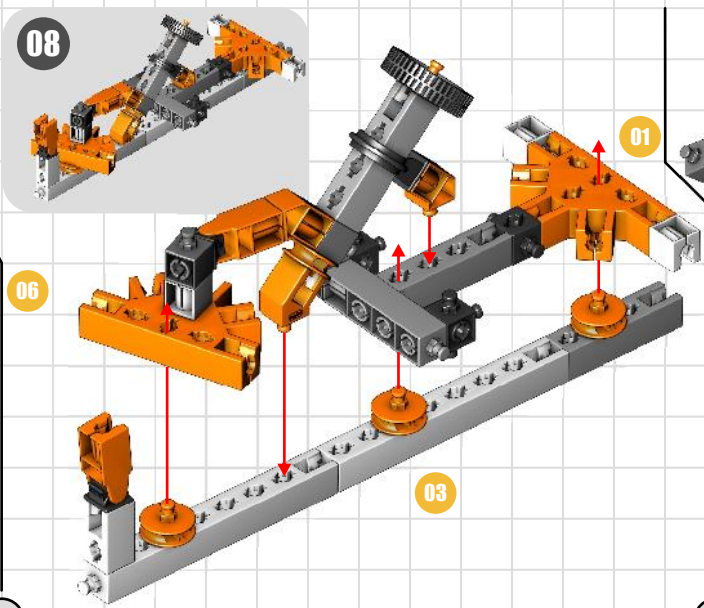
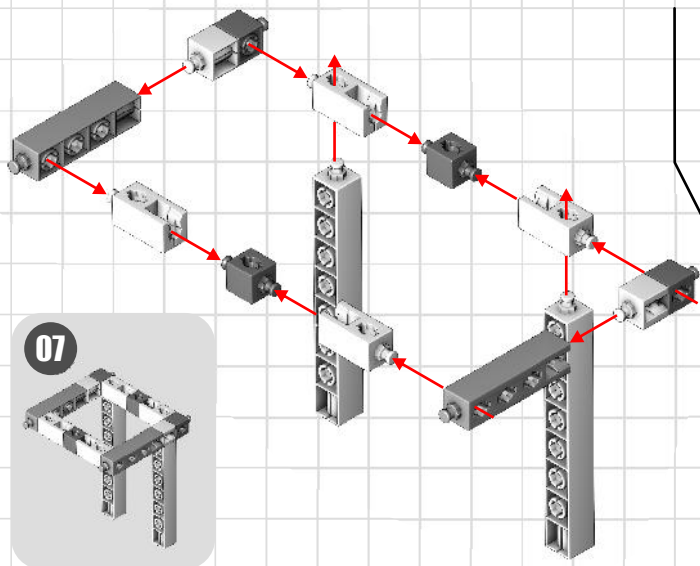
06



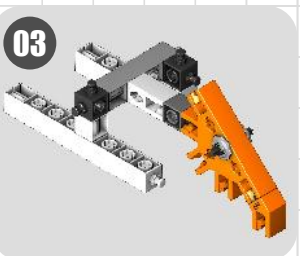
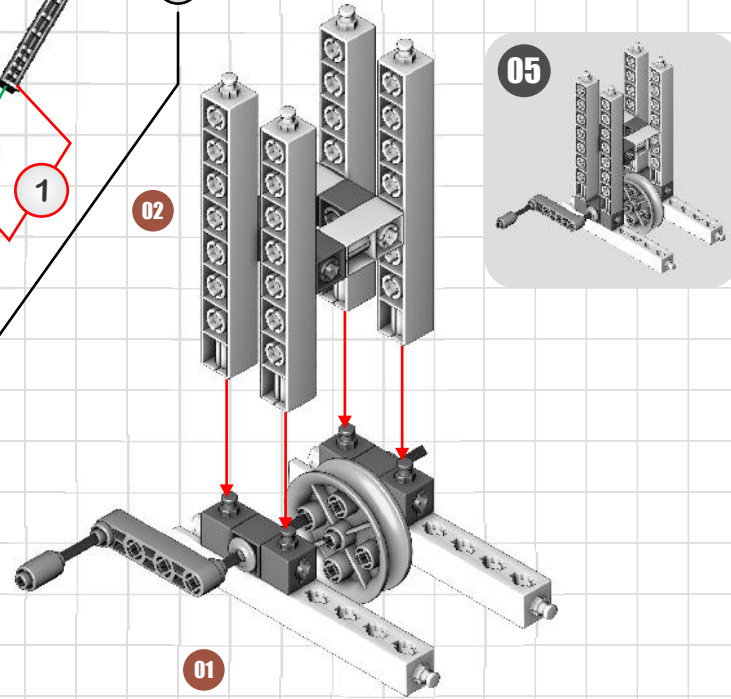
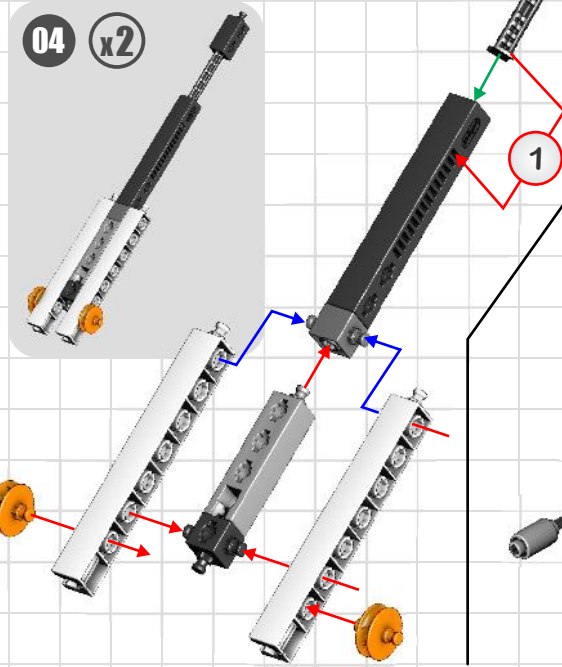
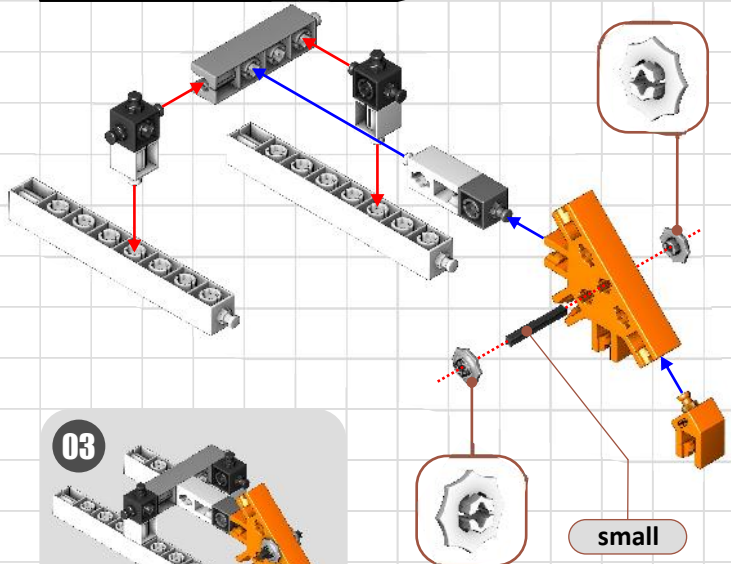
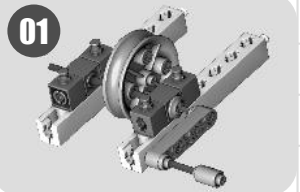
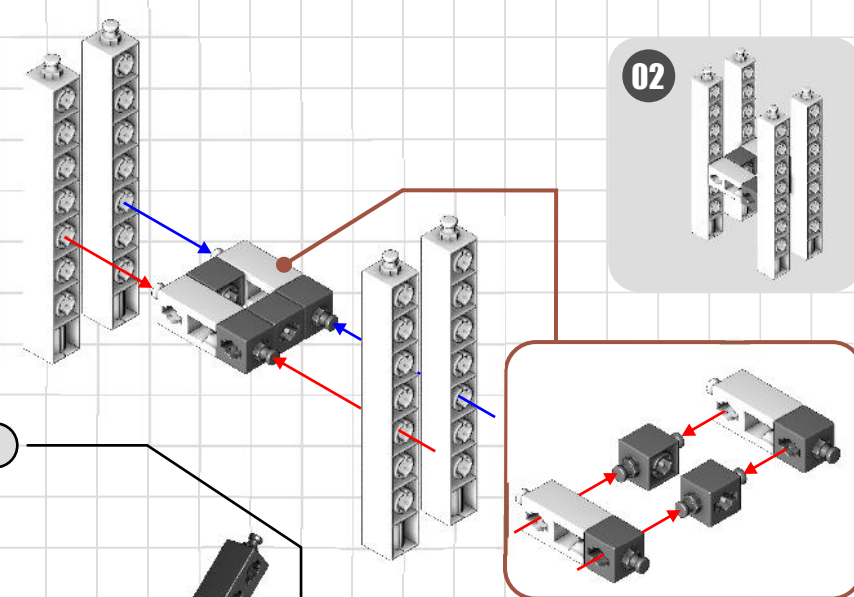
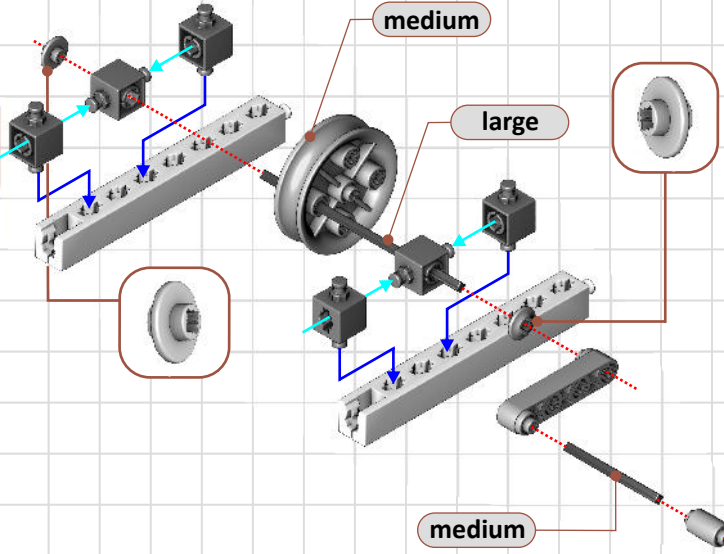
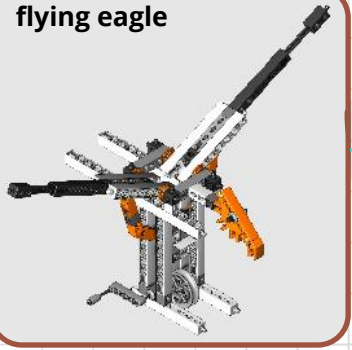
x2

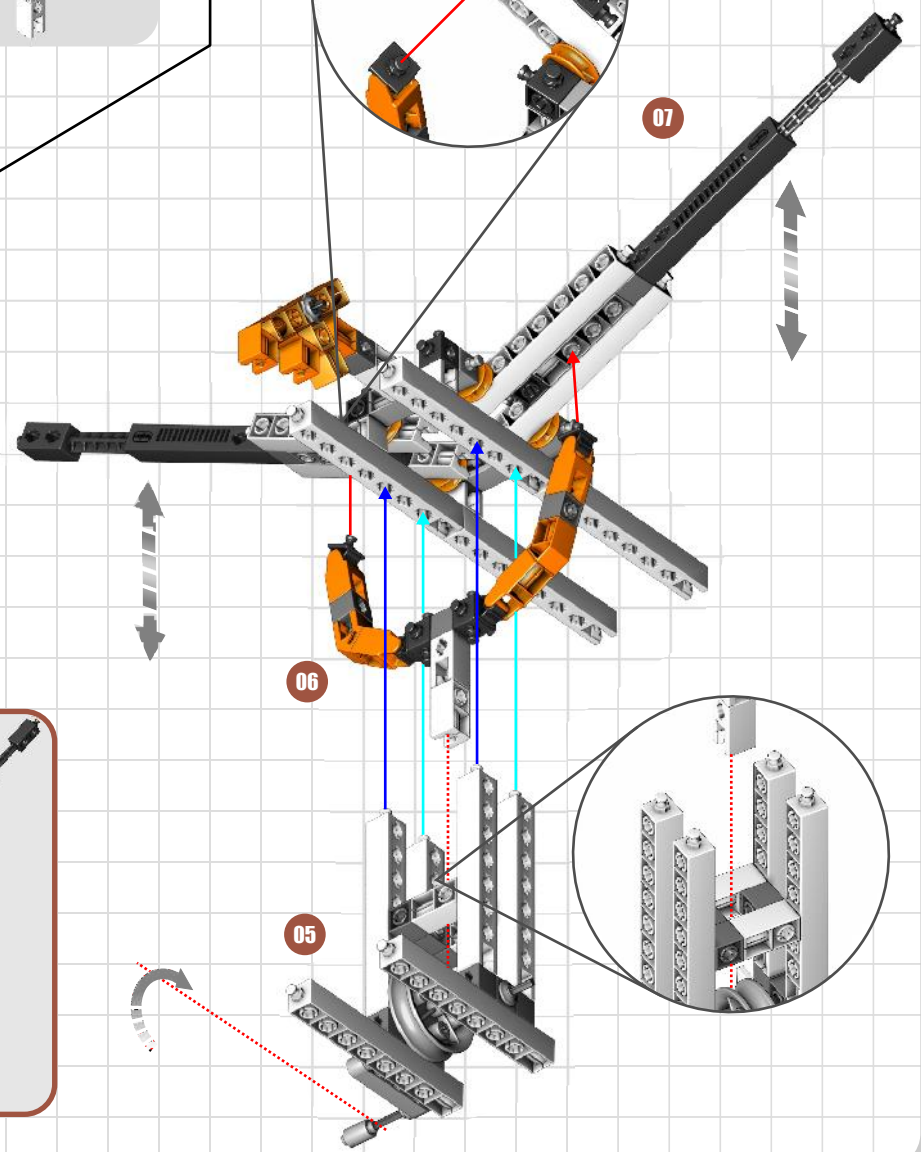
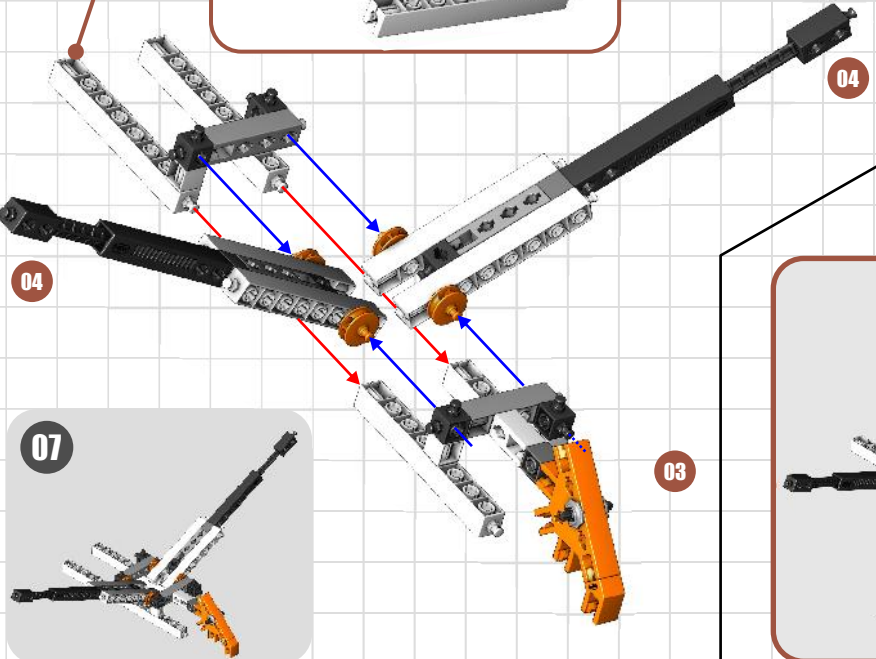
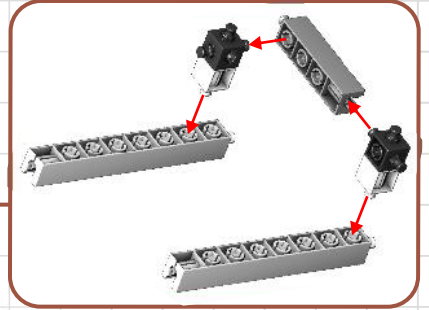
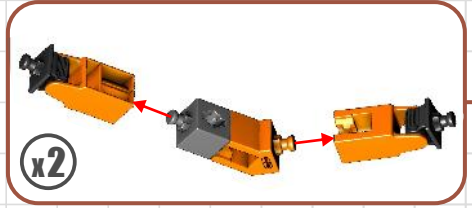
13

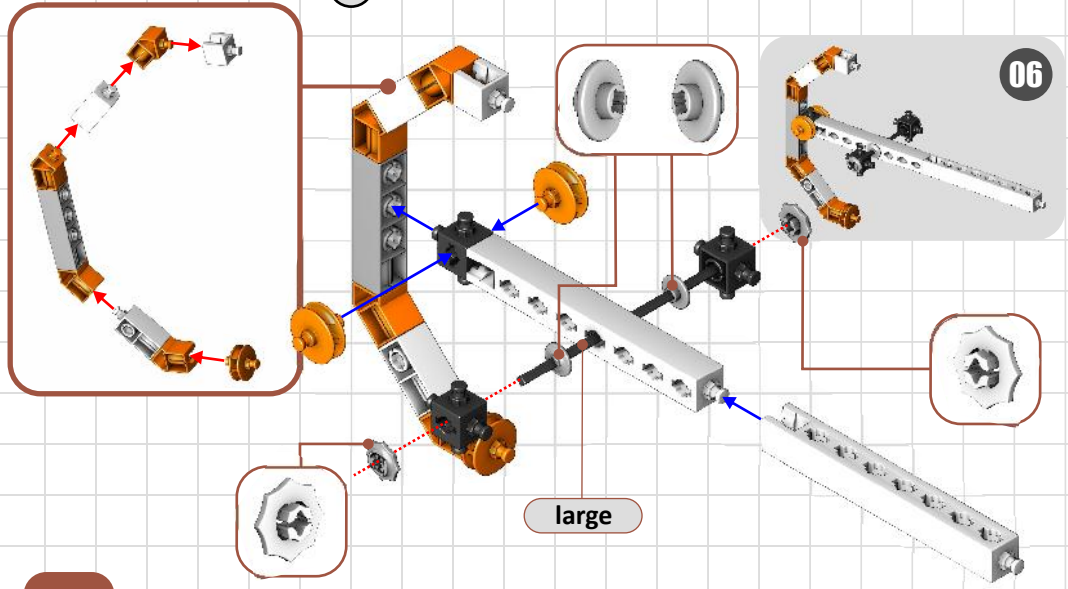
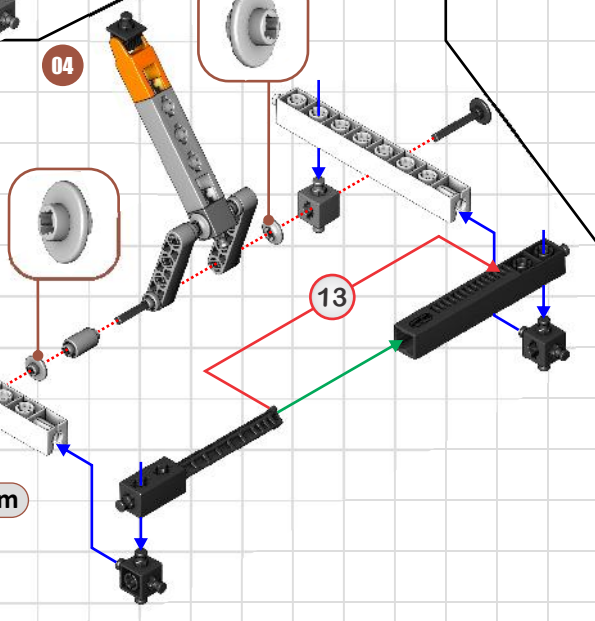
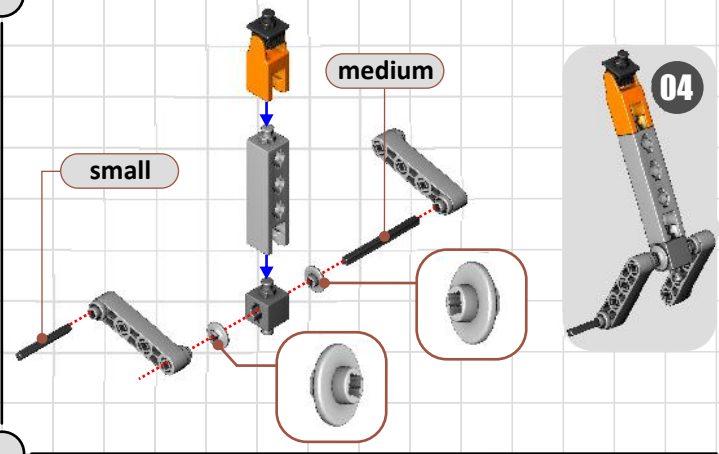
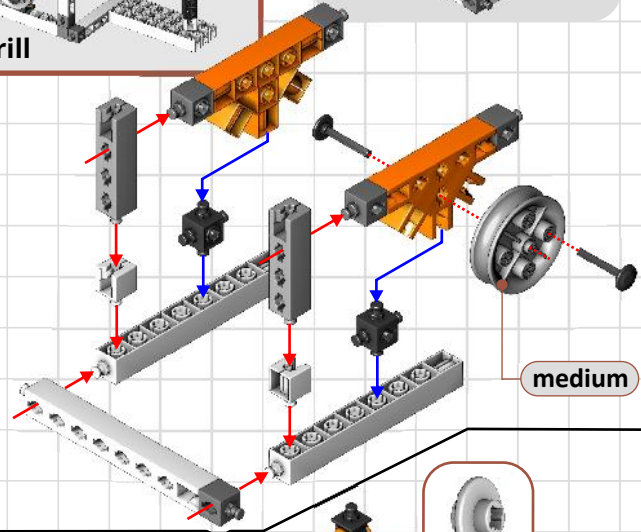
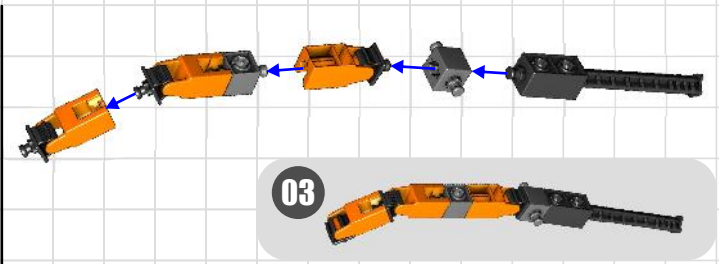
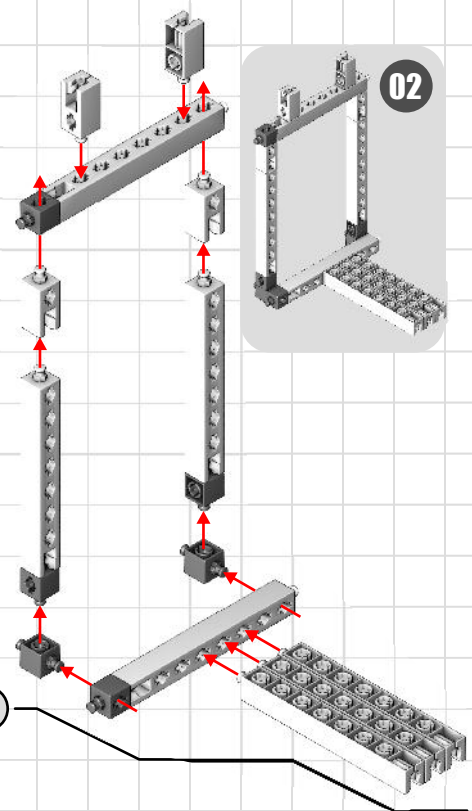
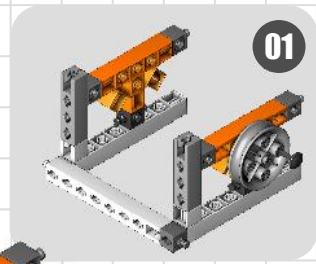


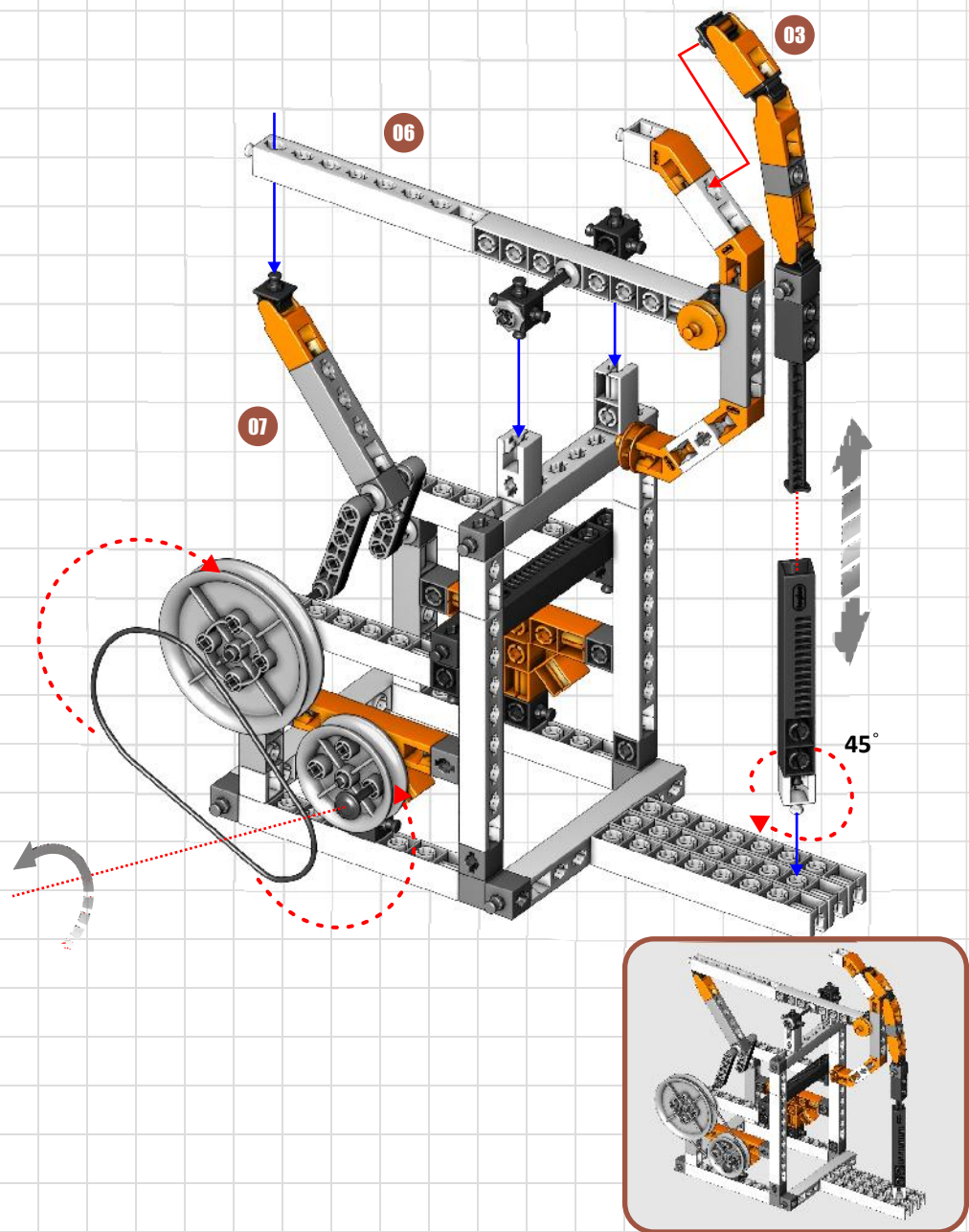
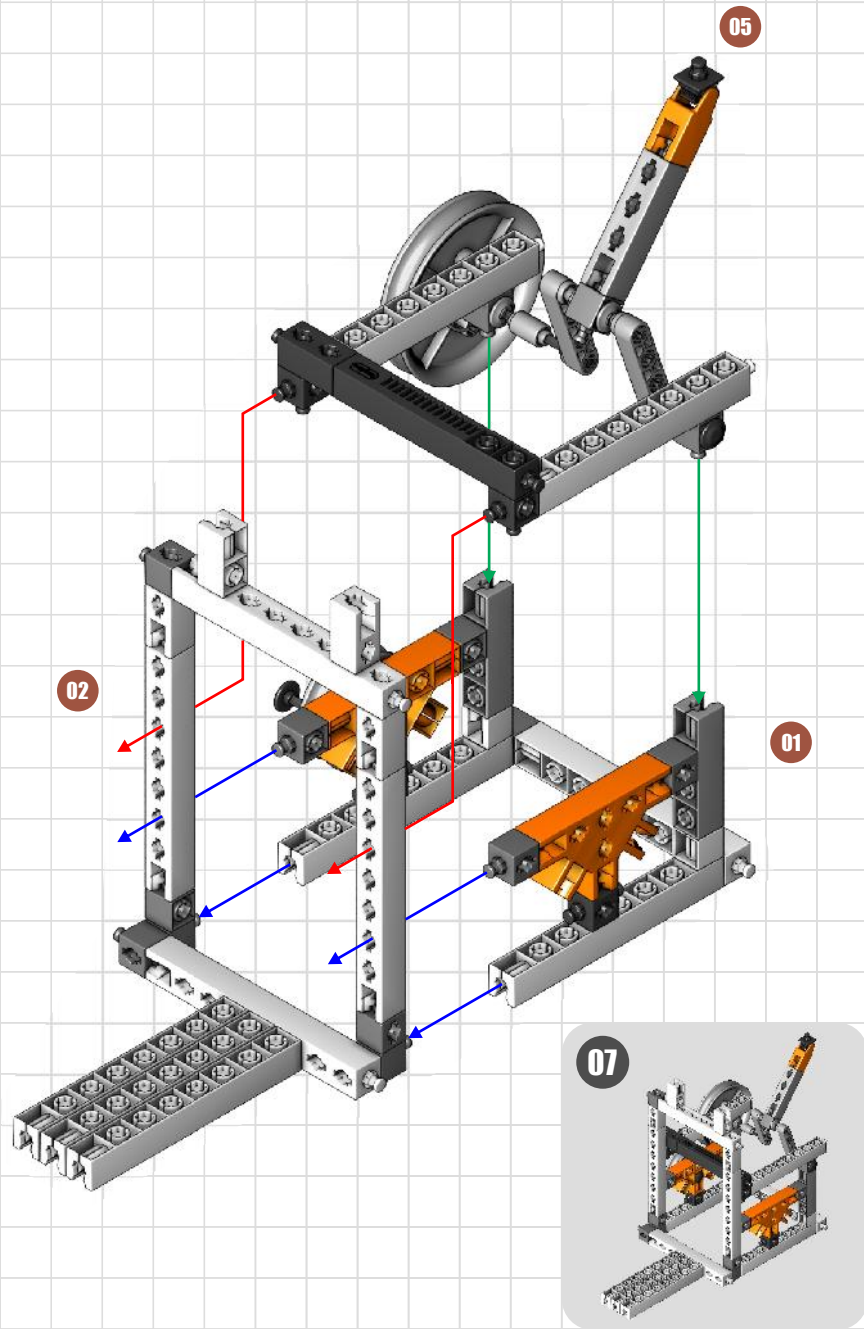


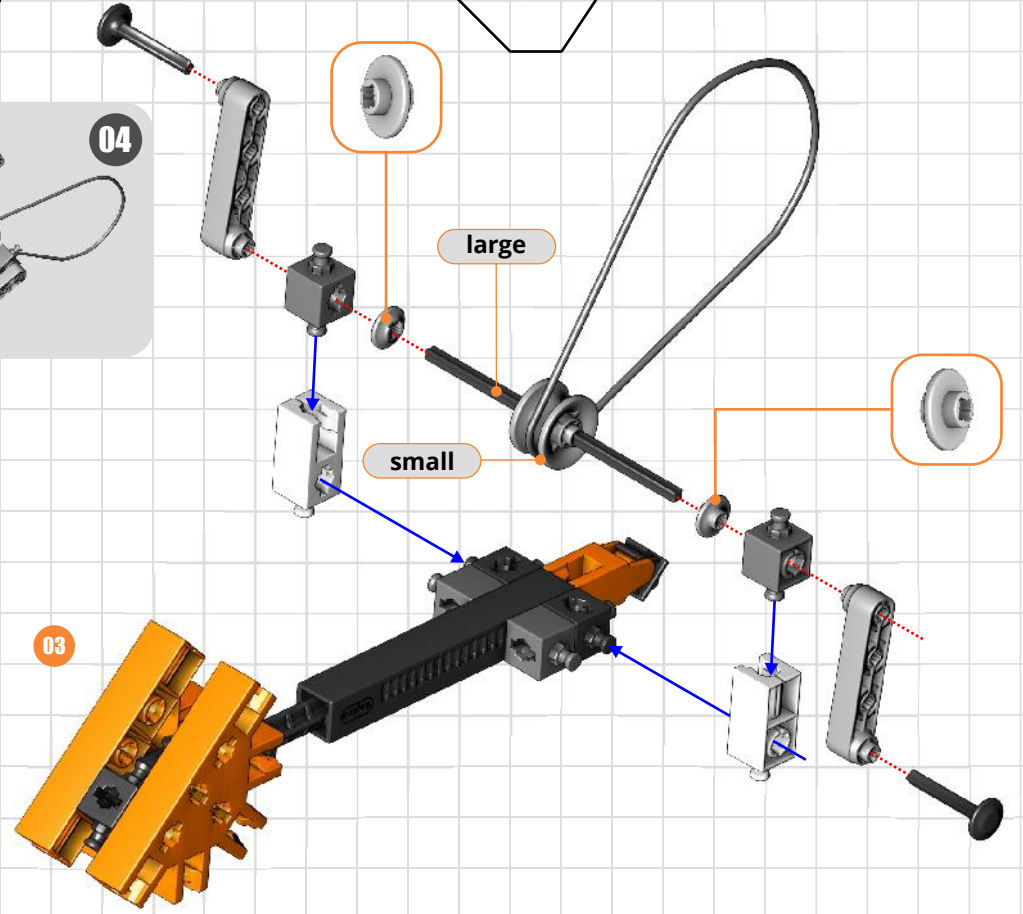
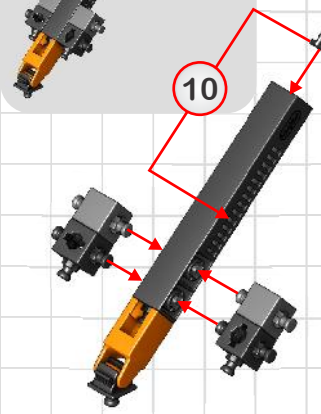
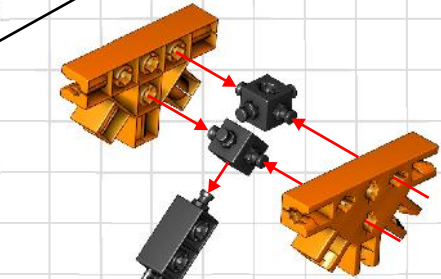
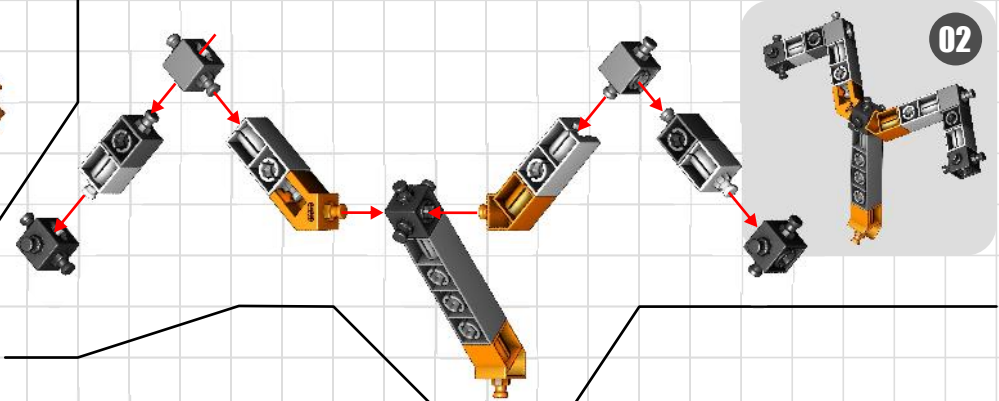
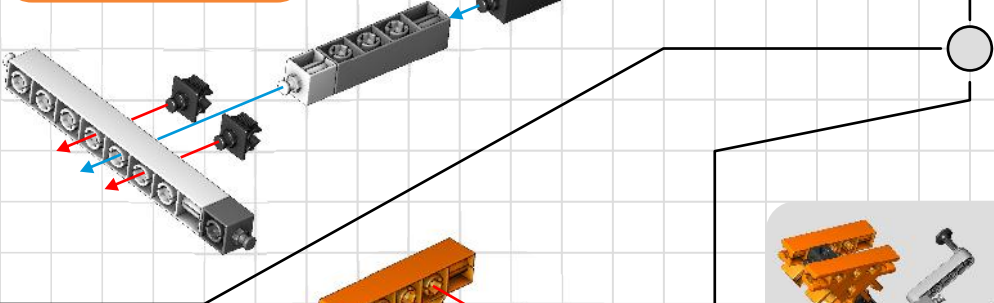
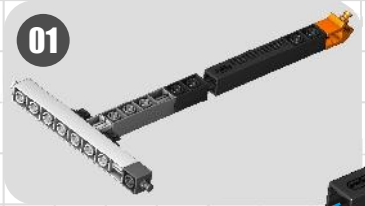
flying eagle

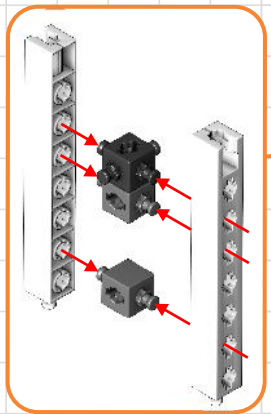




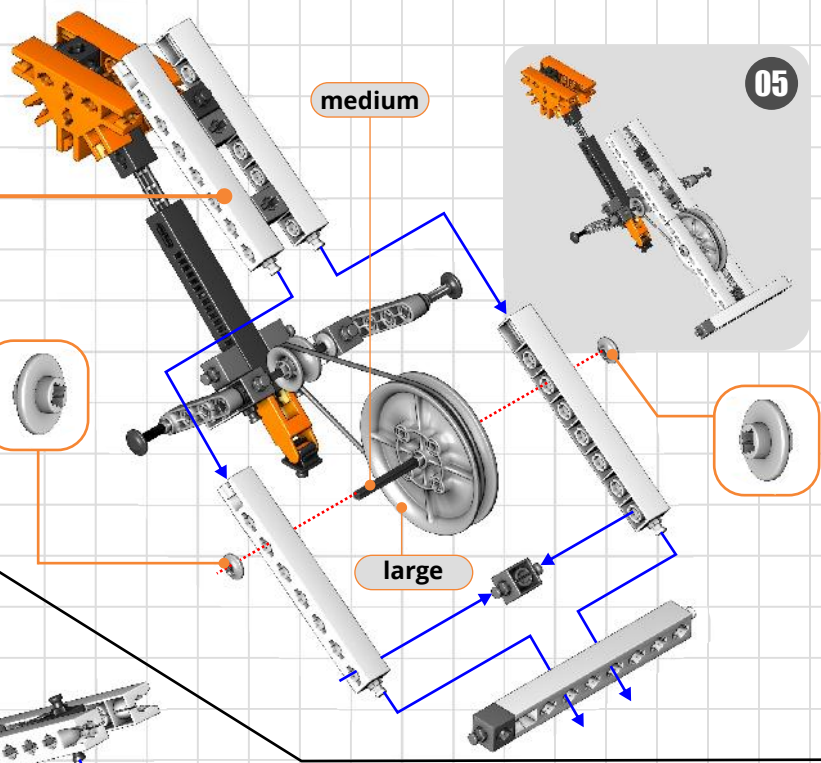








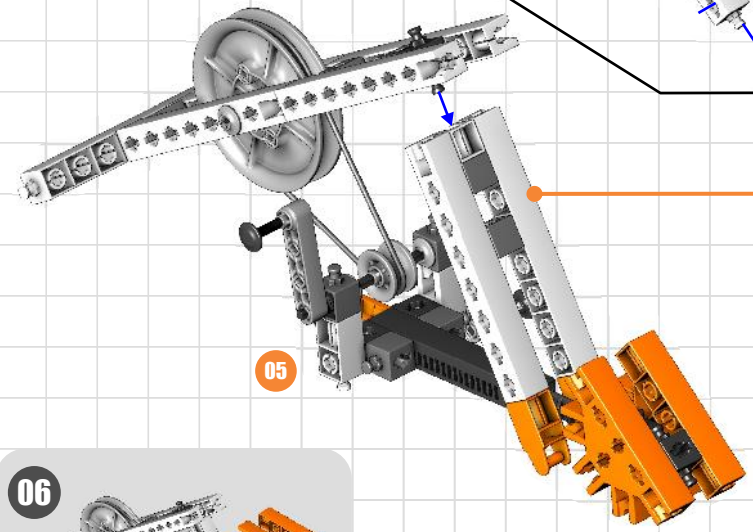
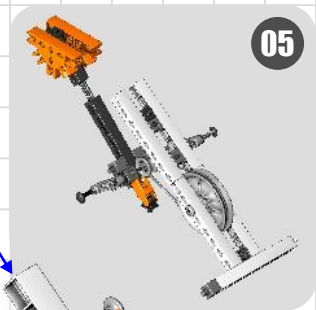
04



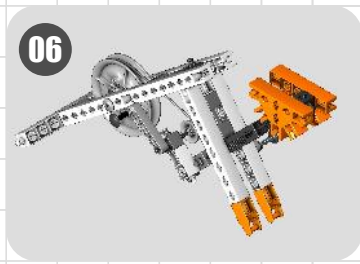
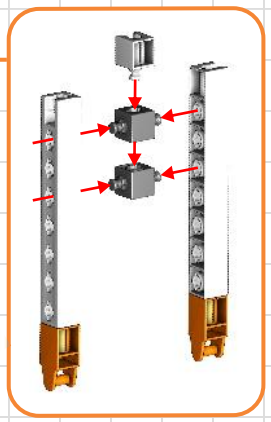
medium

large

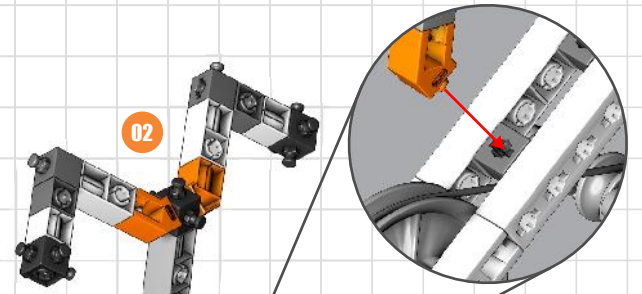
05



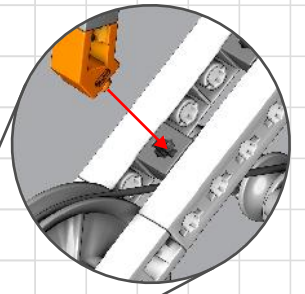
05



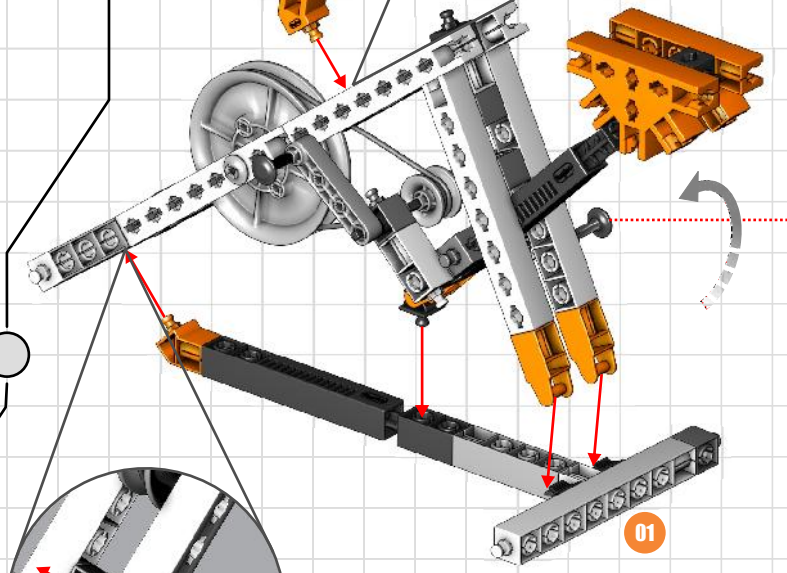
06



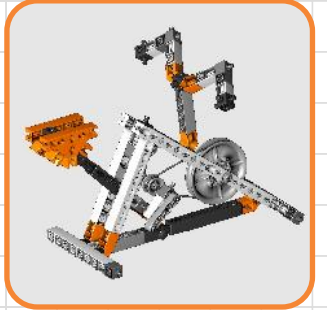
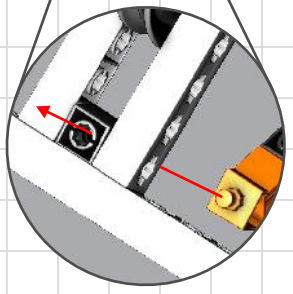
02



06



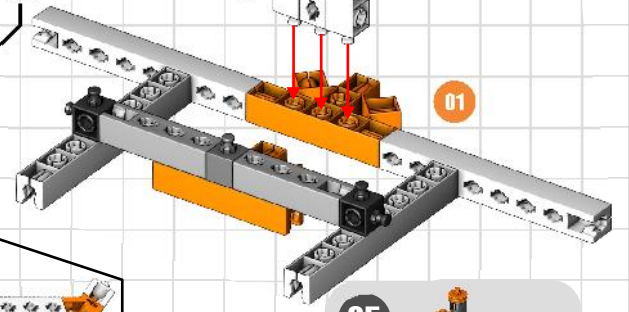
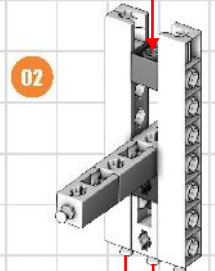
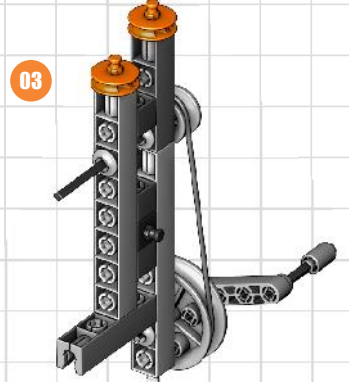
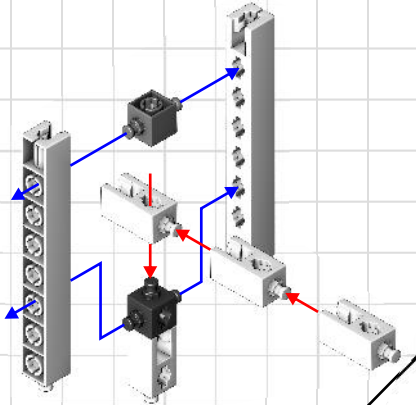
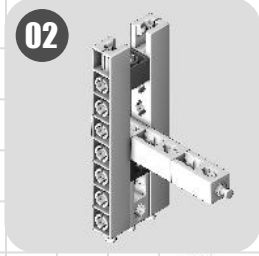
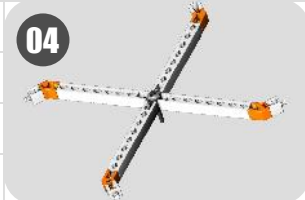
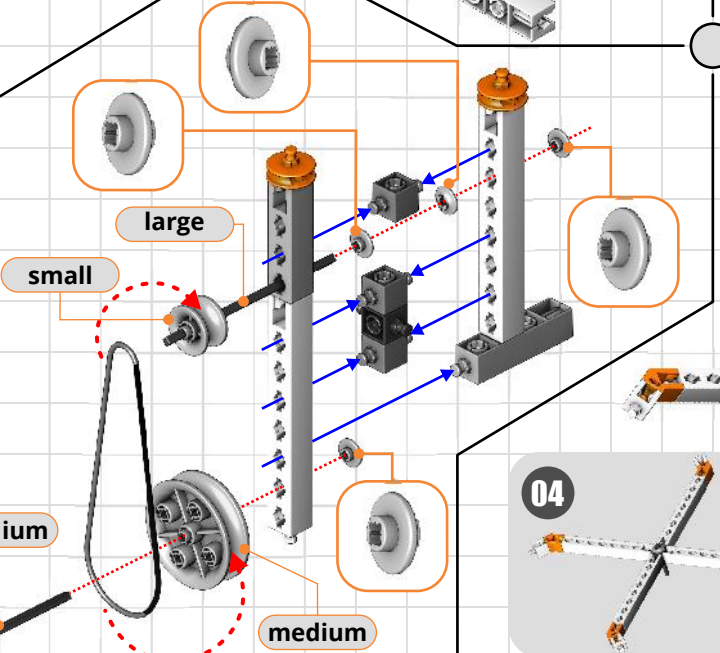
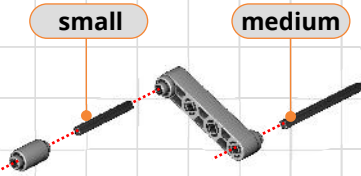
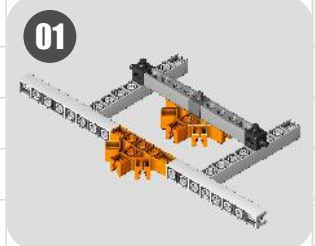
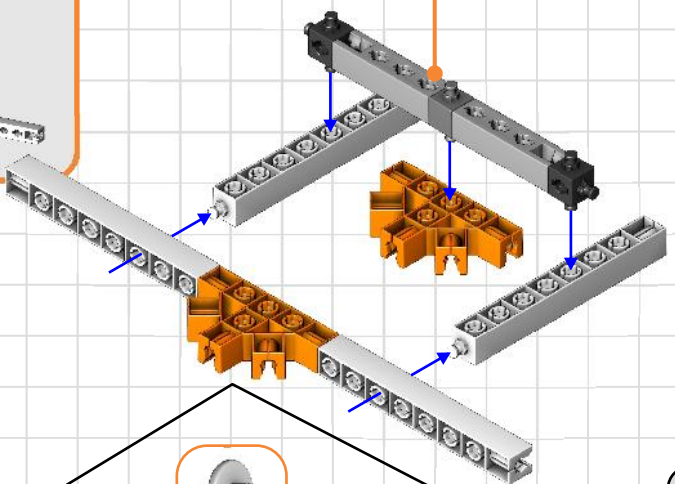
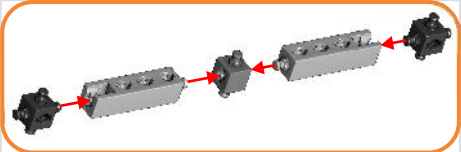
01

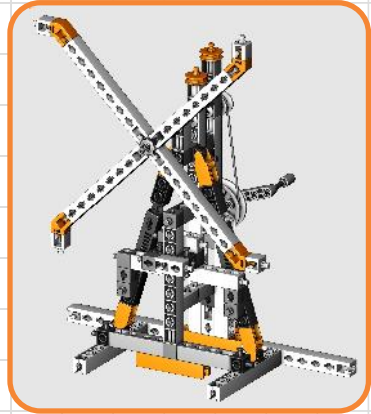
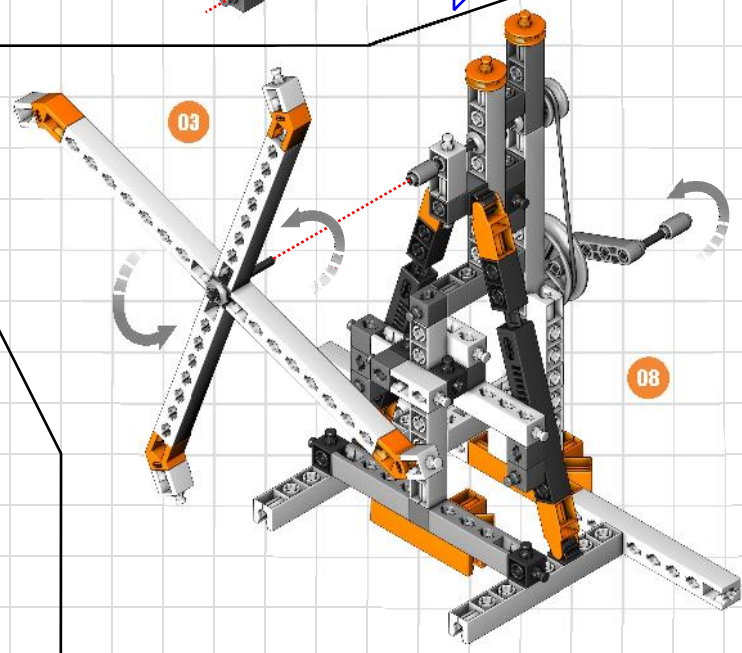
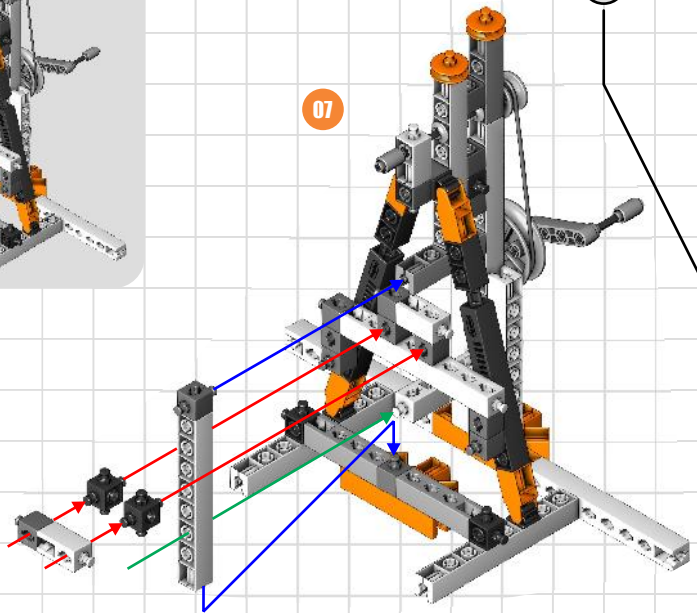
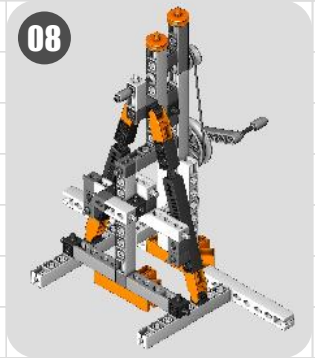
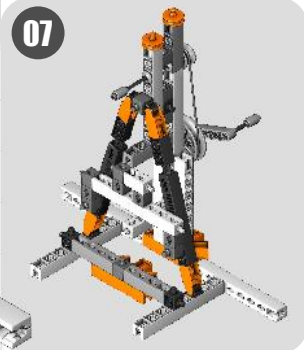
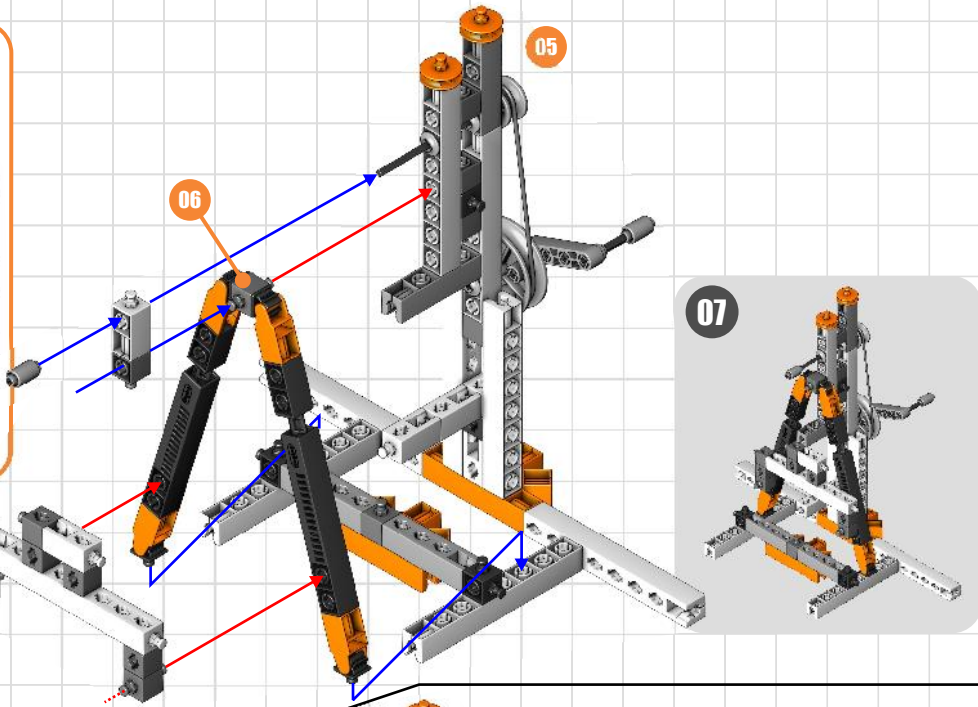
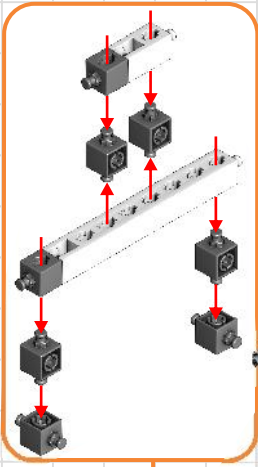
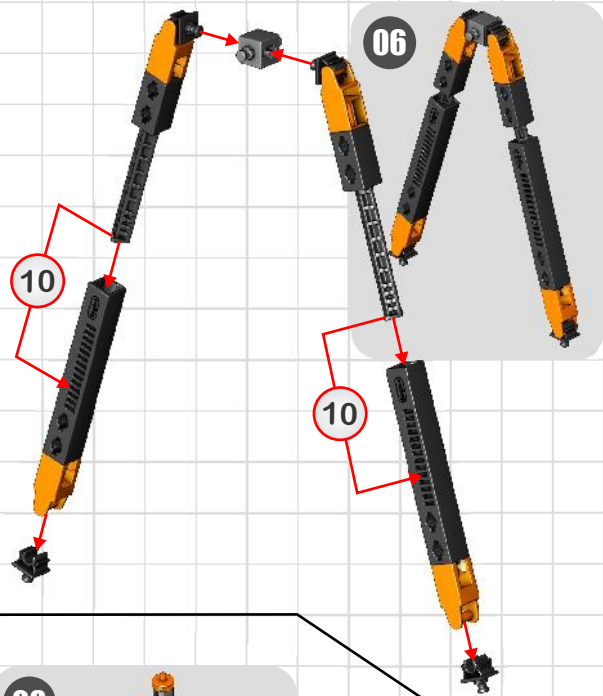


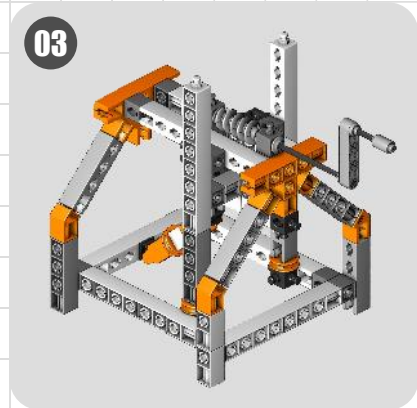
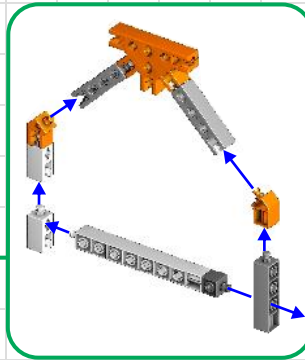
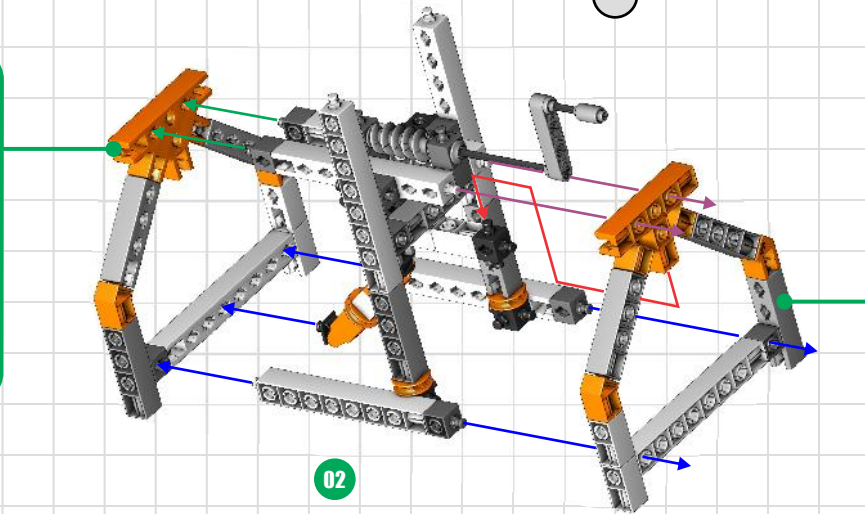
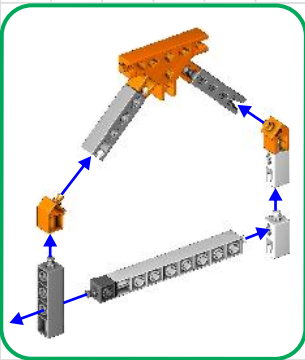
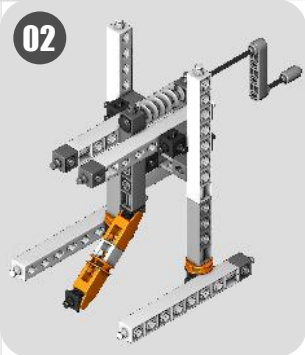
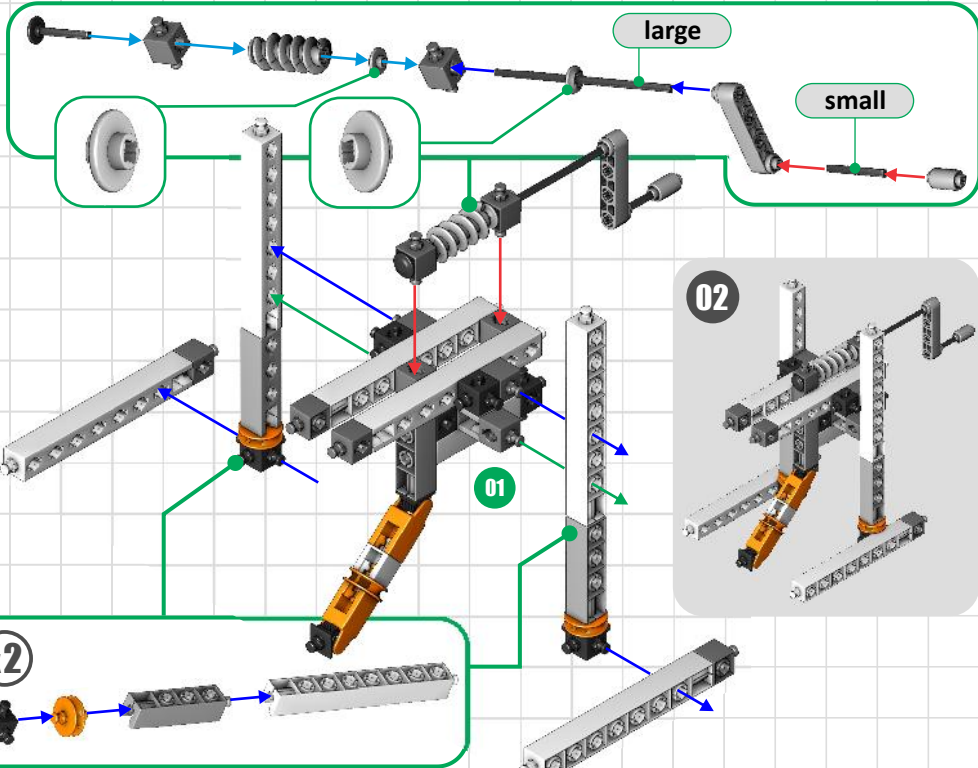
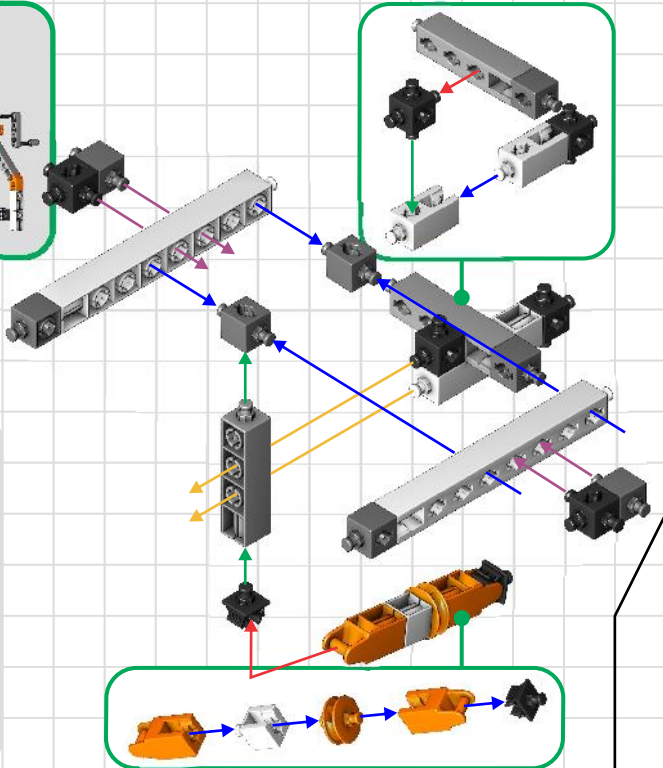
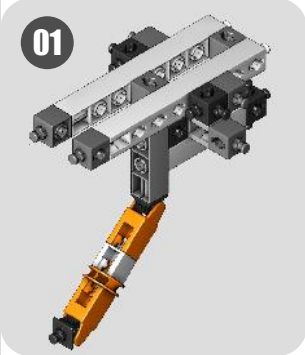
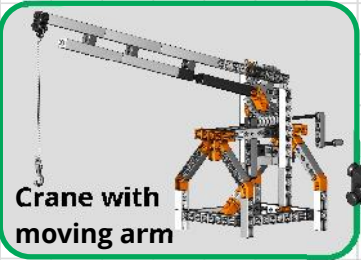
02

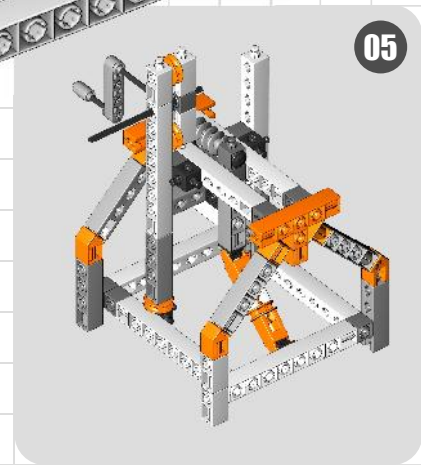
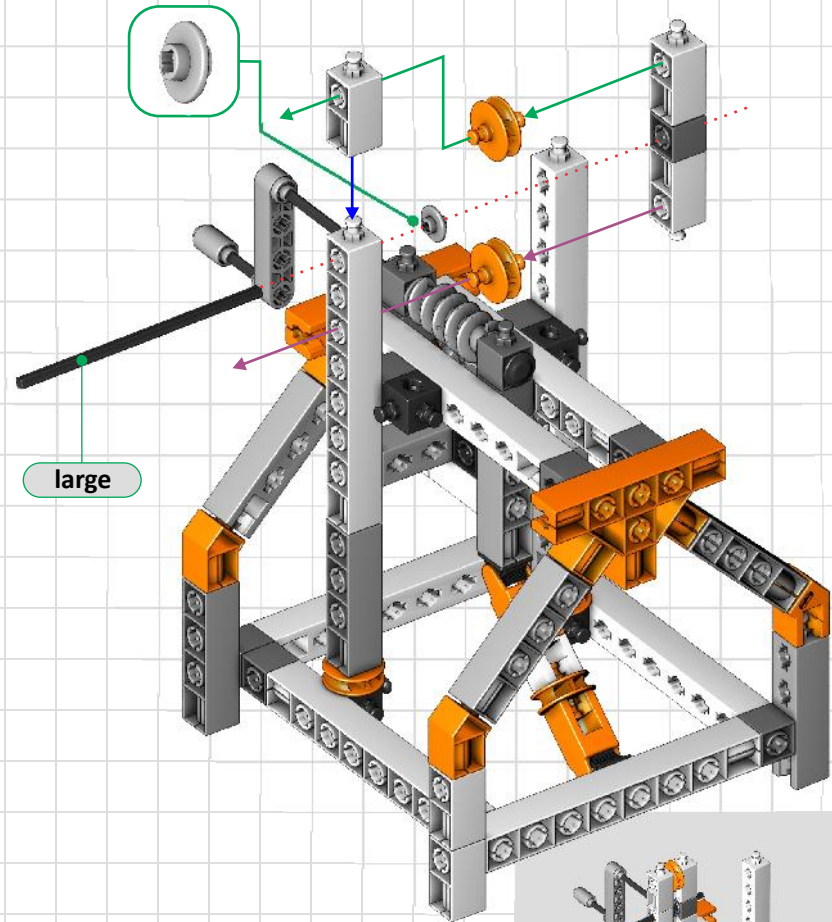
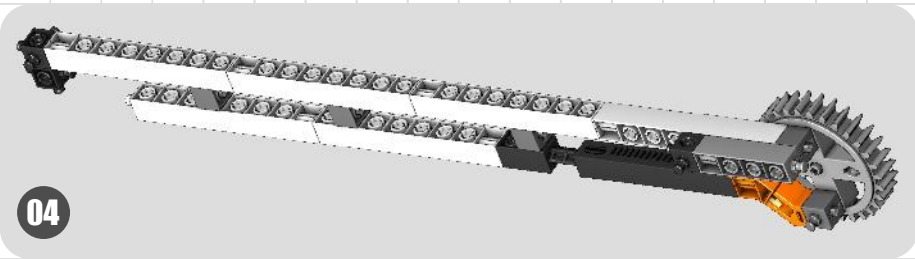
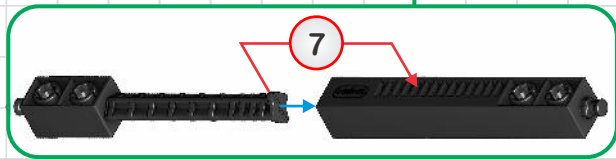
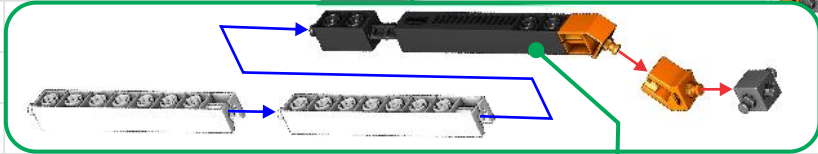
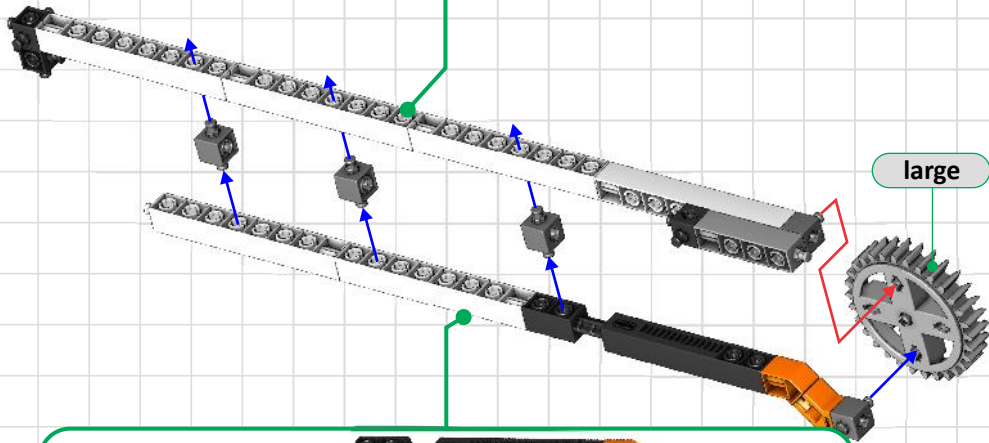
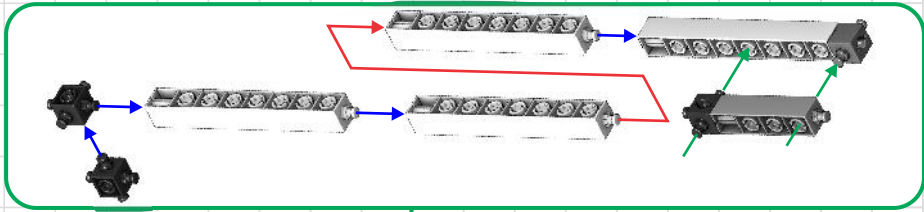


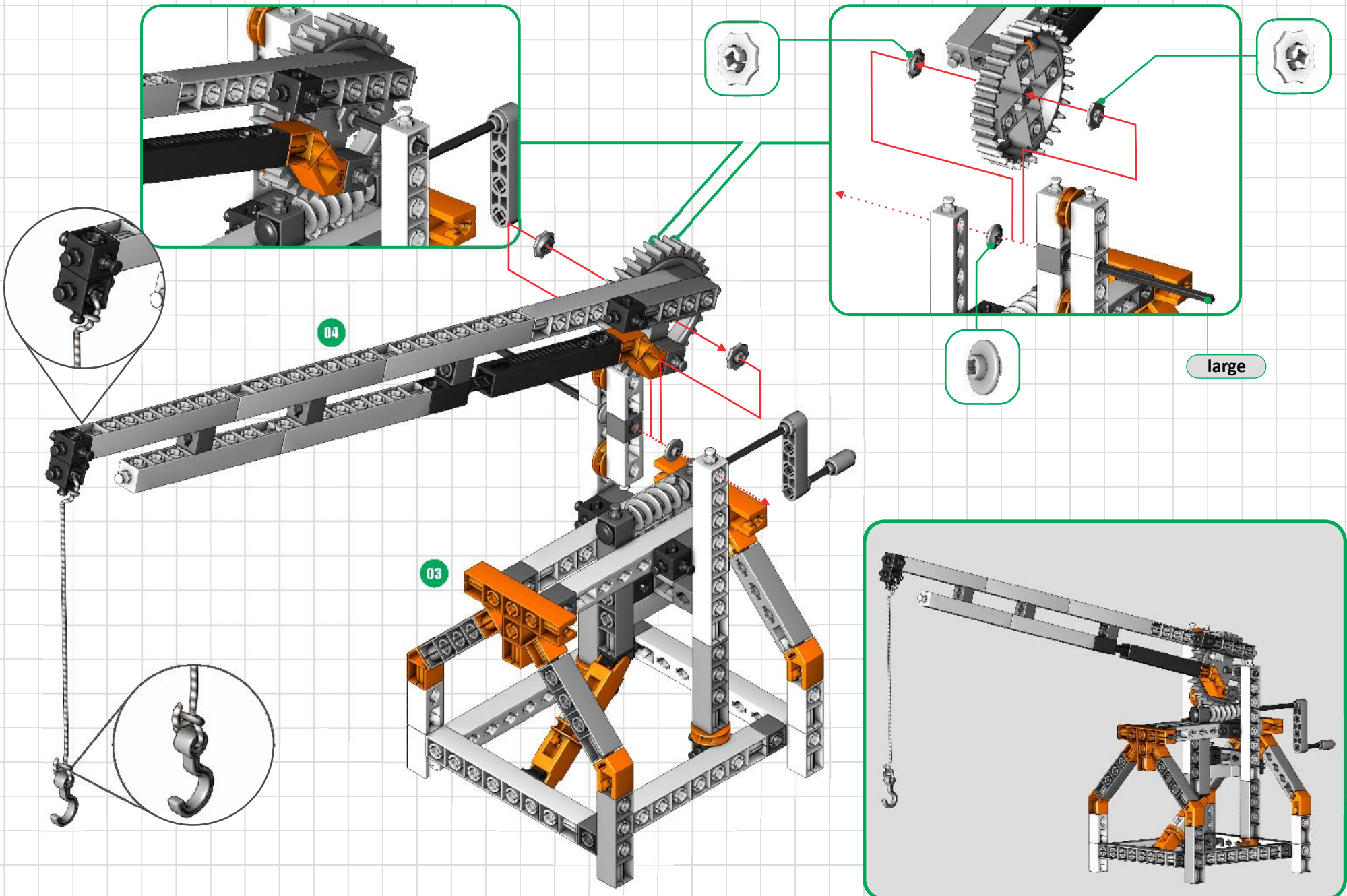
Windmill

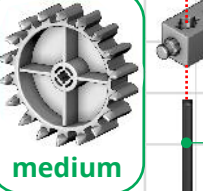
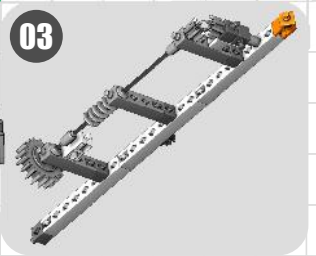
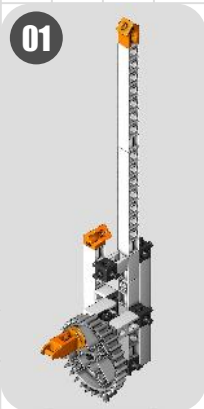












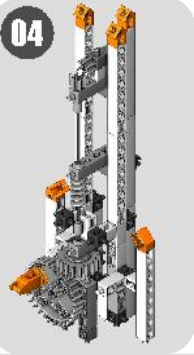
small

medium

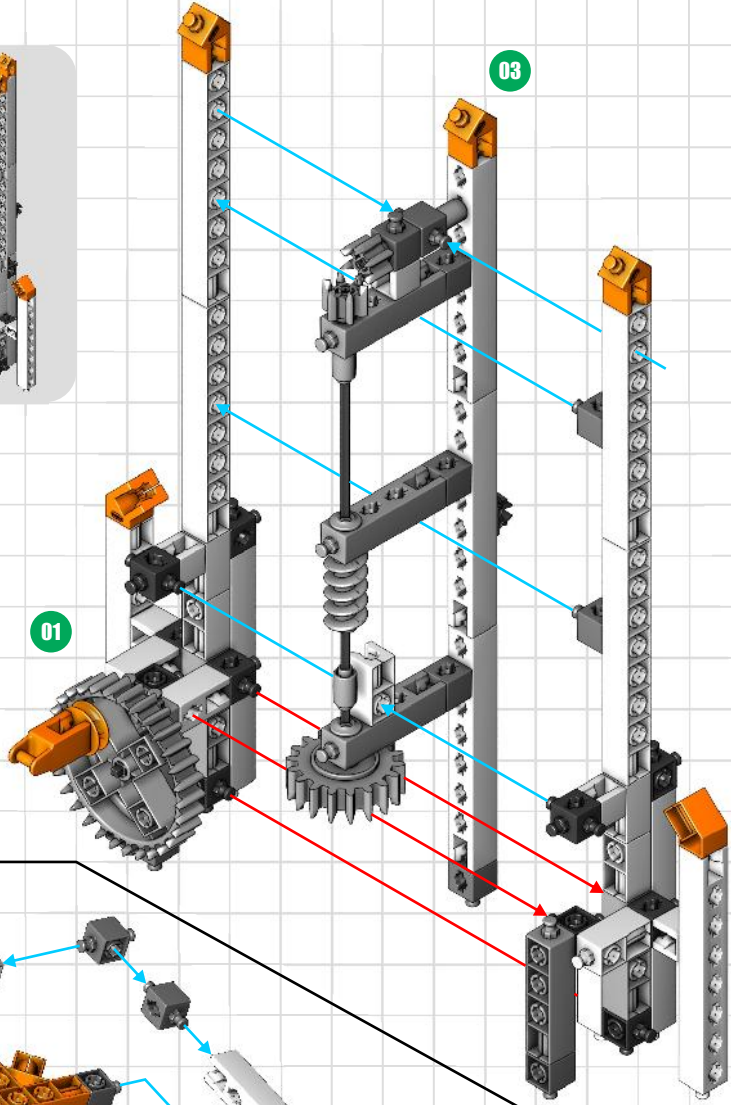
medium

medium

04

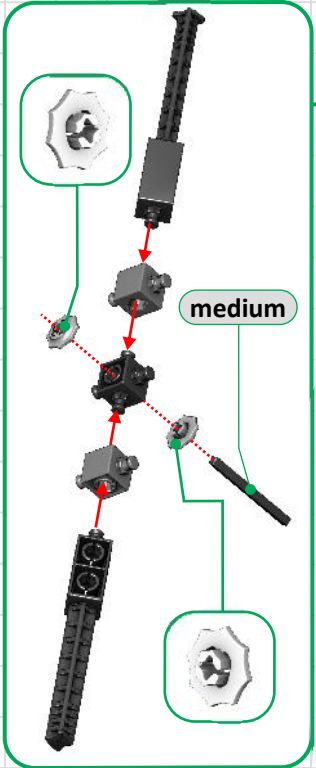


01



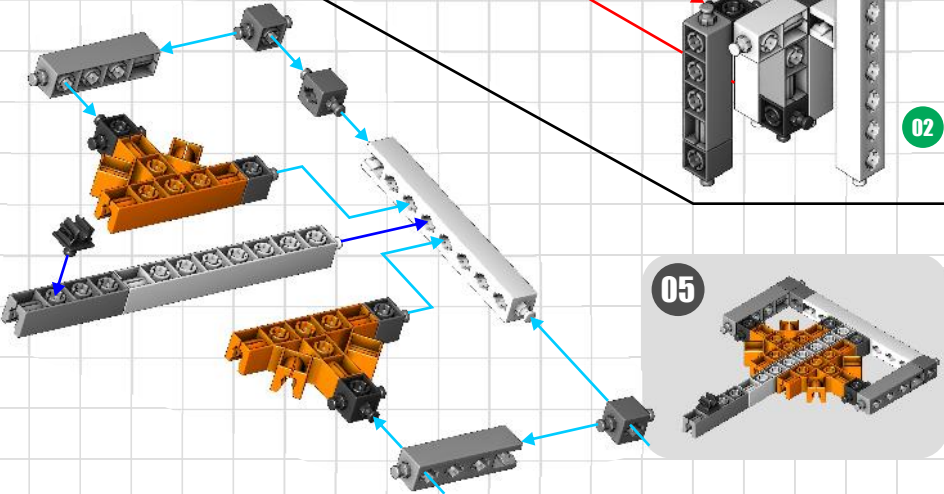
03

02

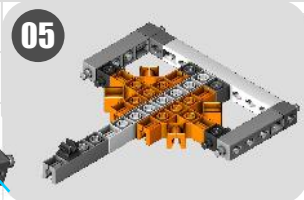


medium

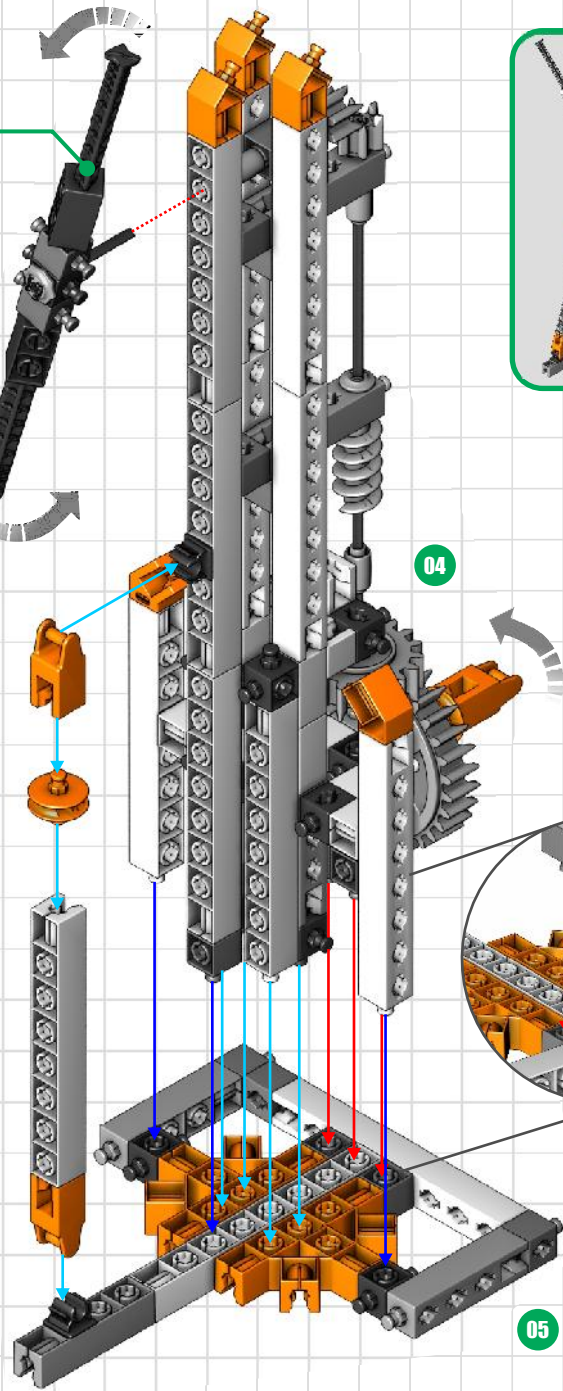
04



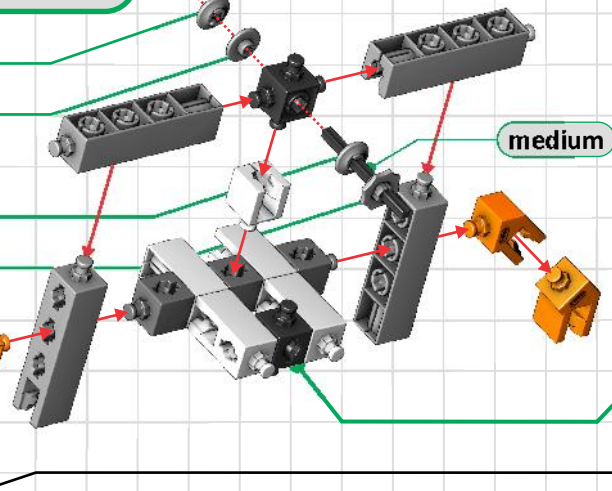
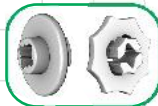
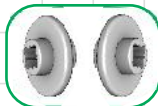
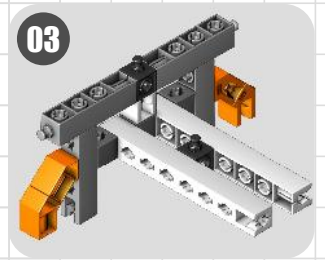
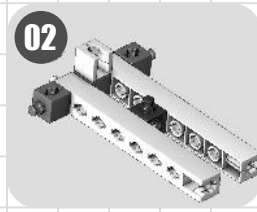
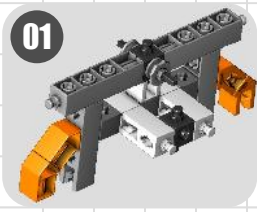
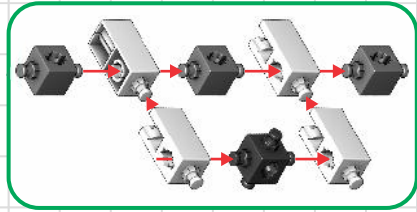
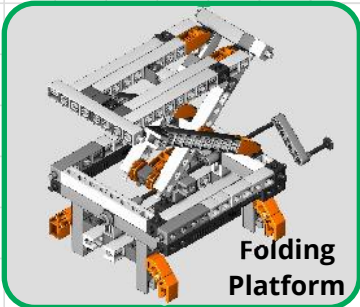
05



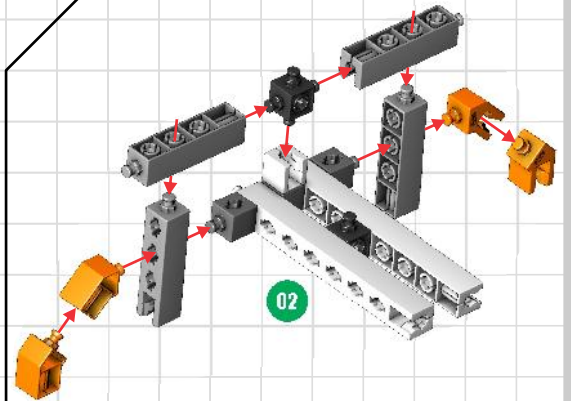
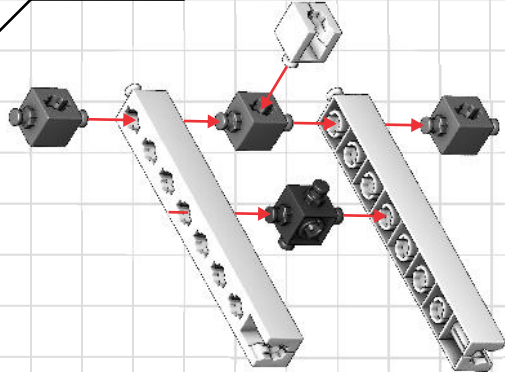
05



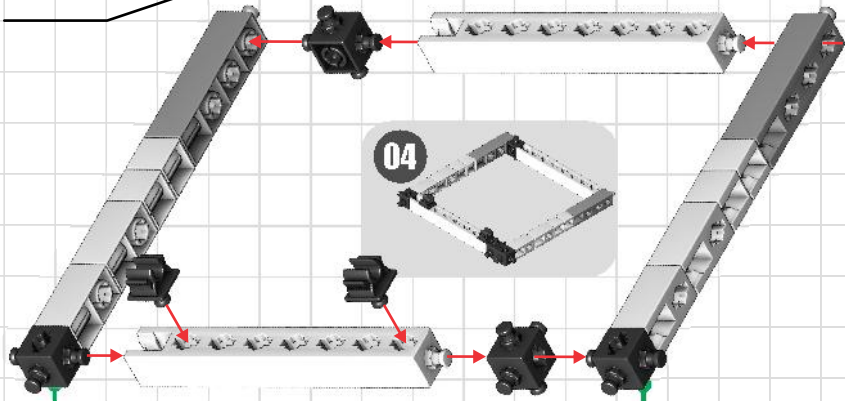
02



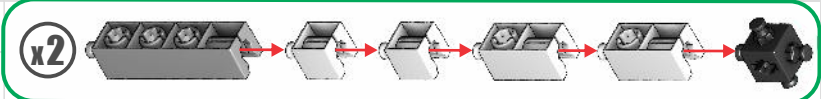
medium



02



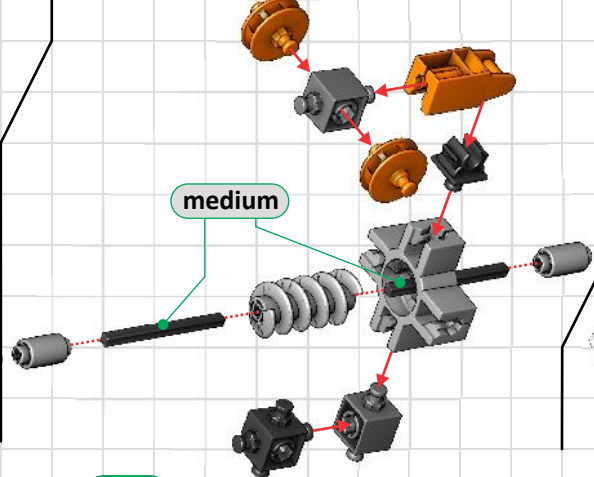
04



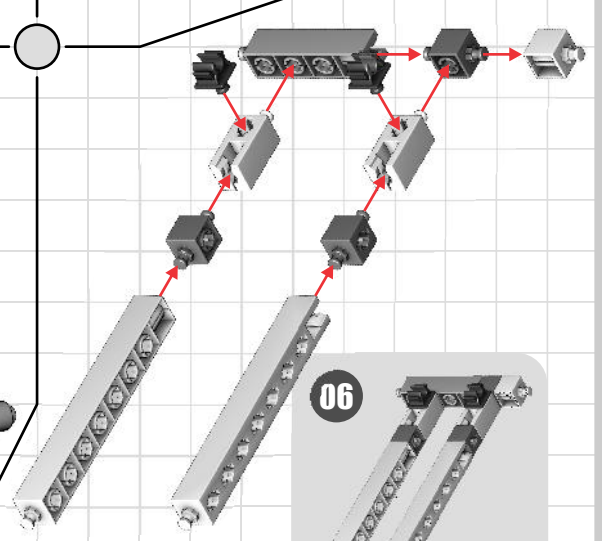
x2



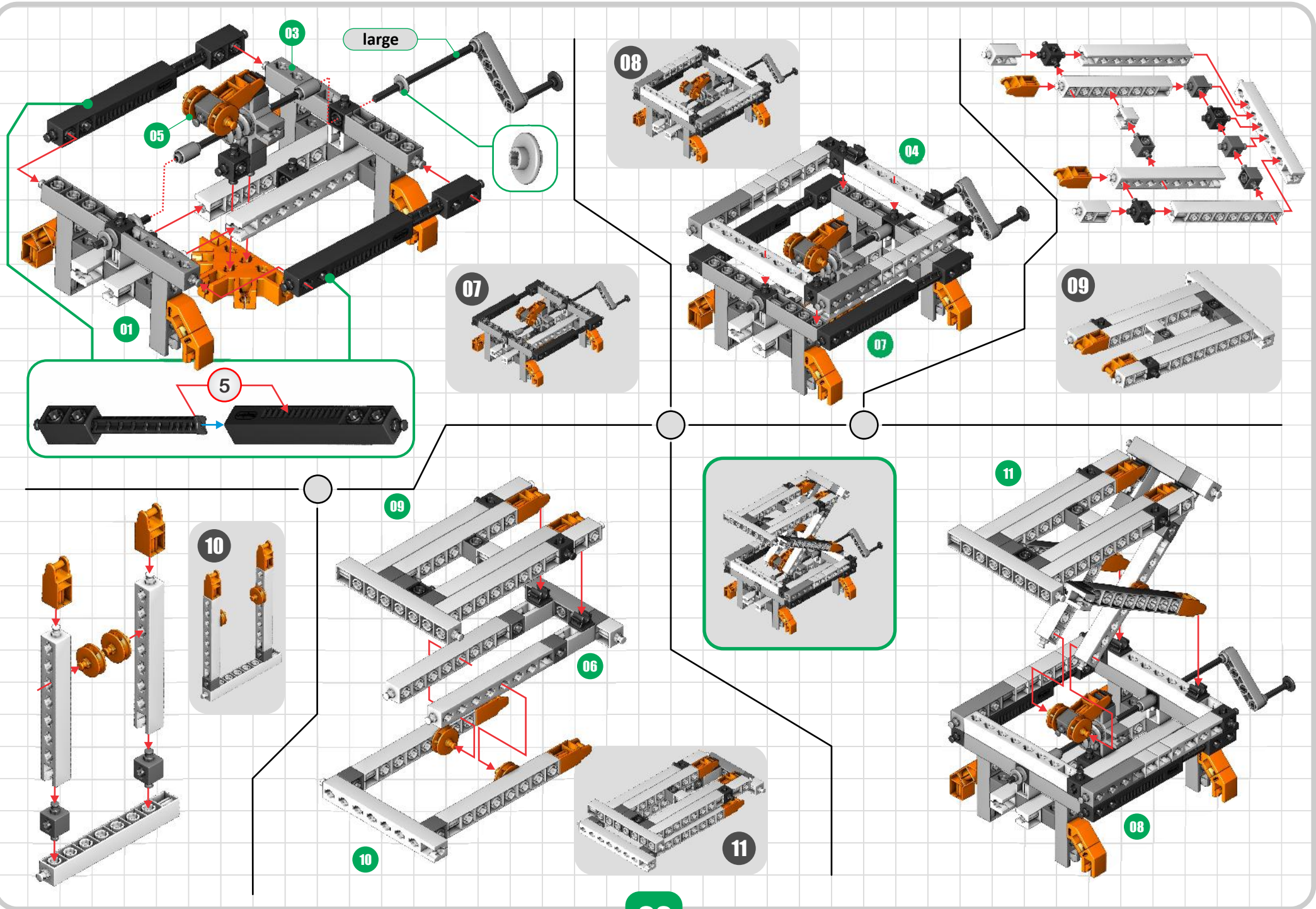
05

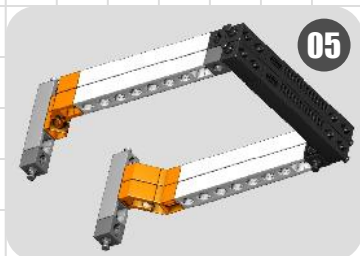
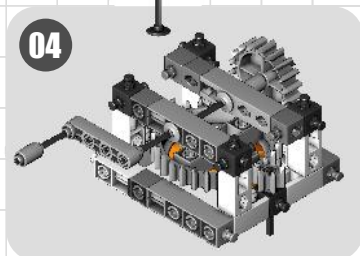
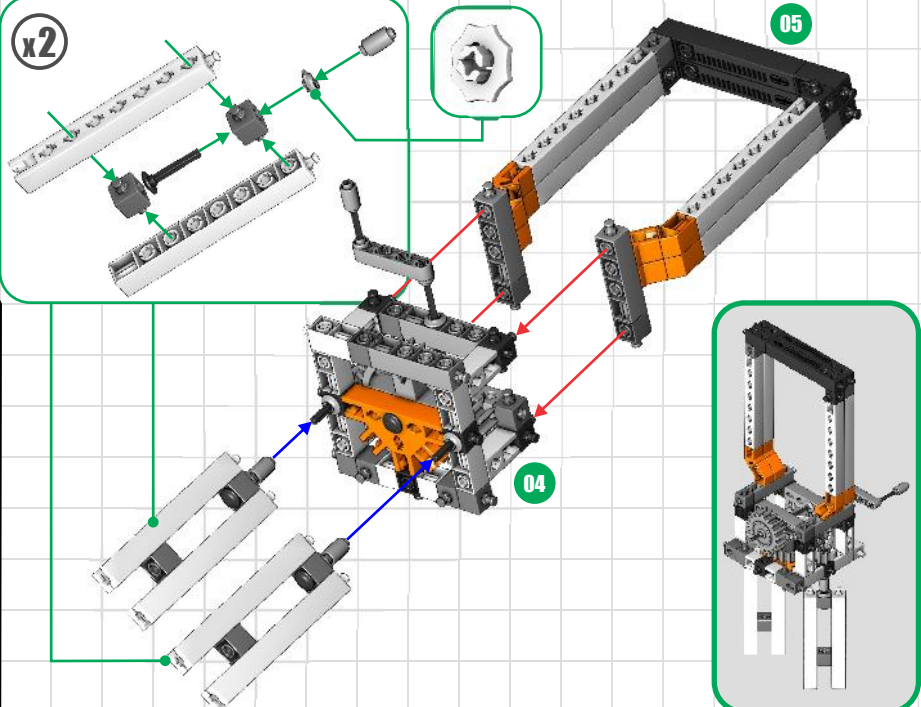
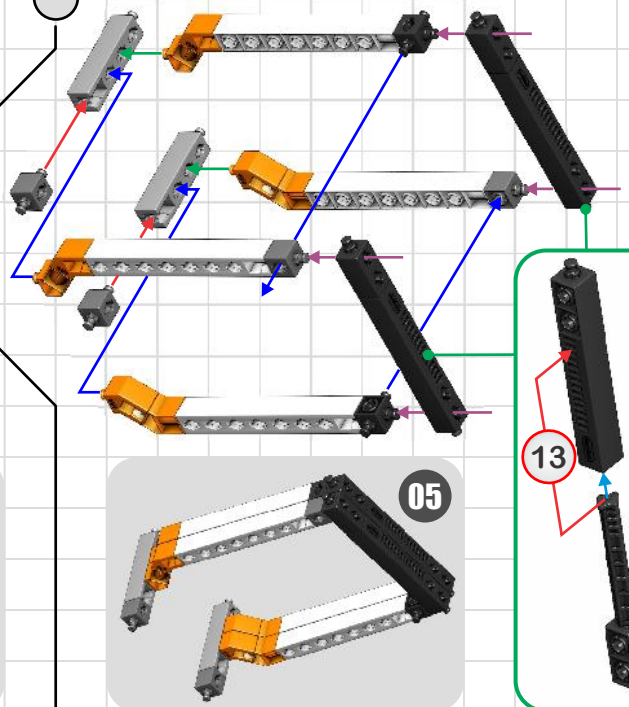
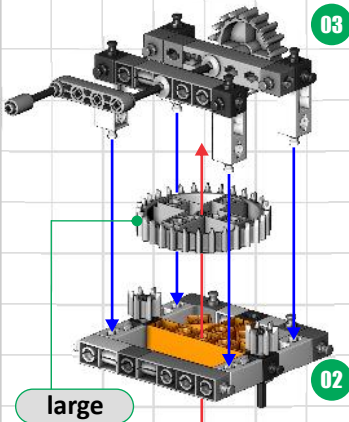
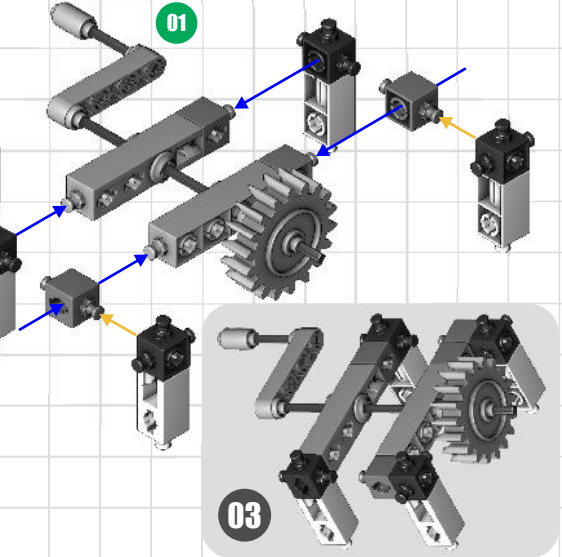
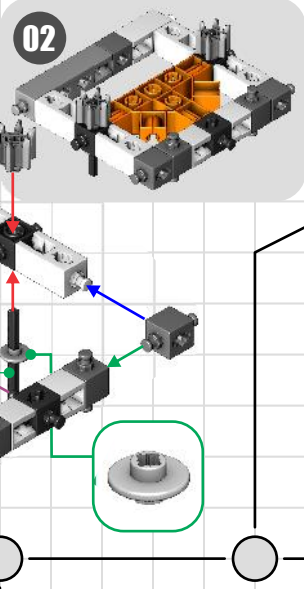
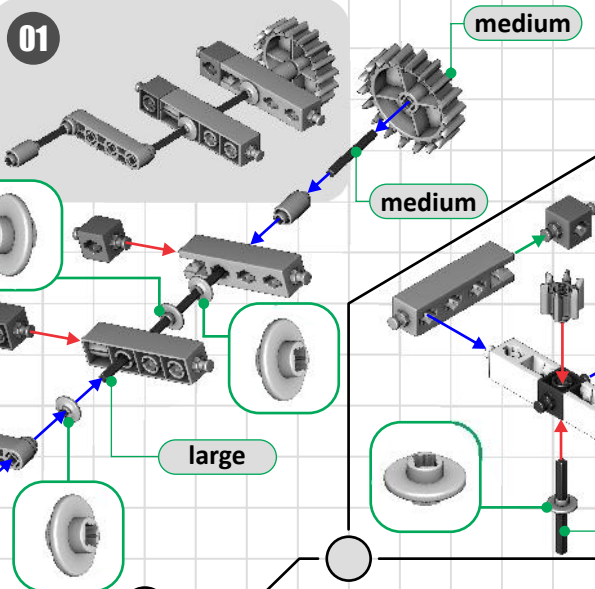
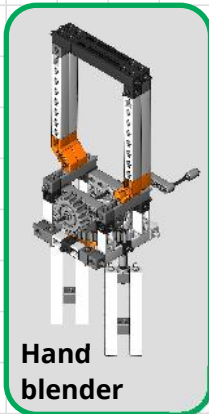


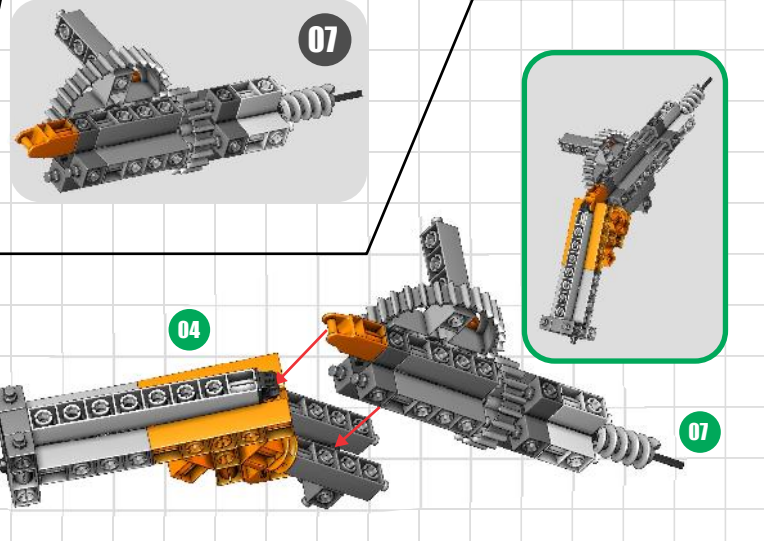
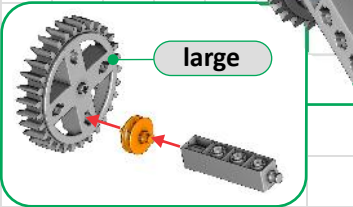
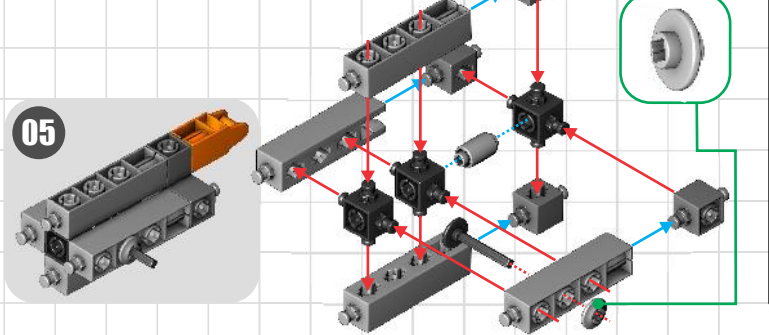
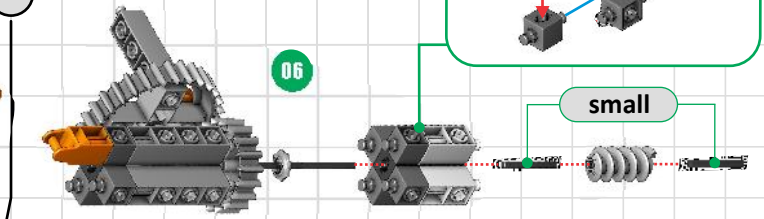
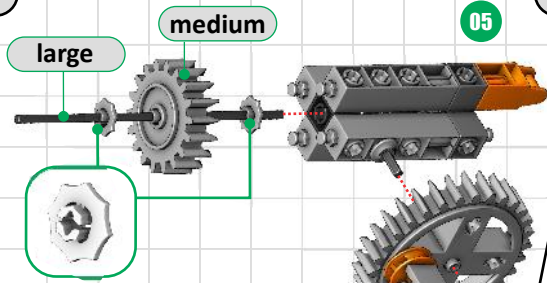
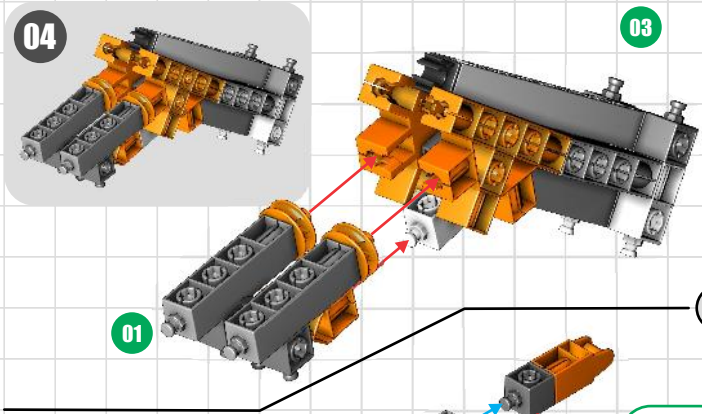
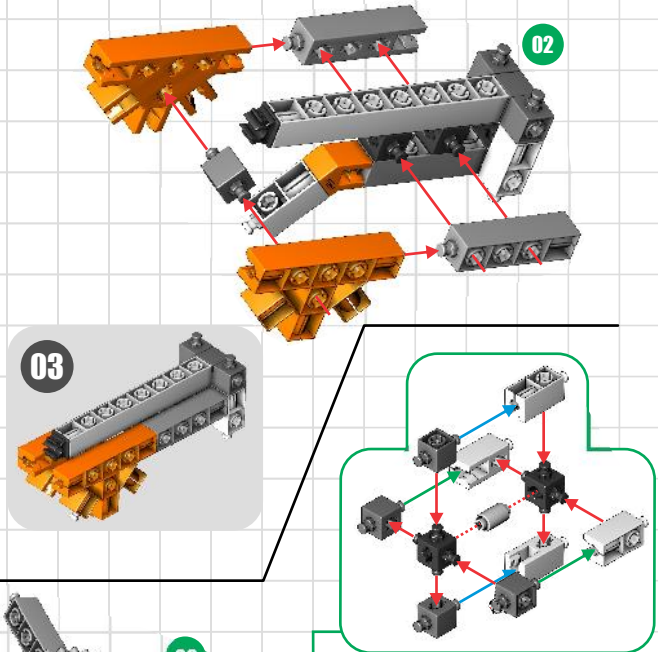
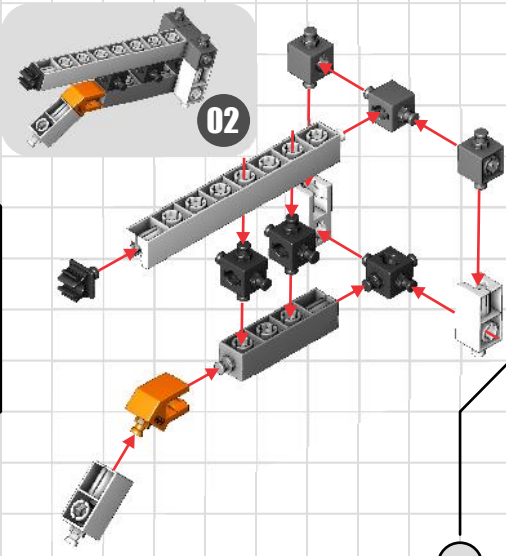
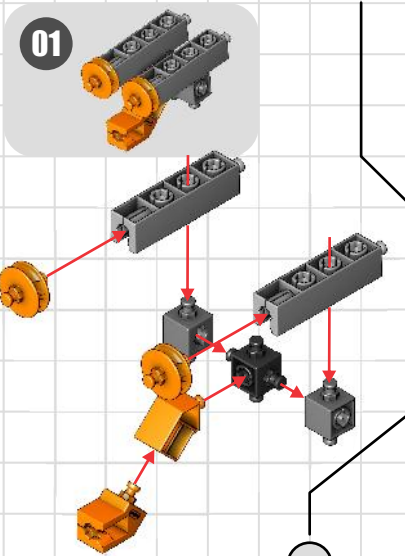
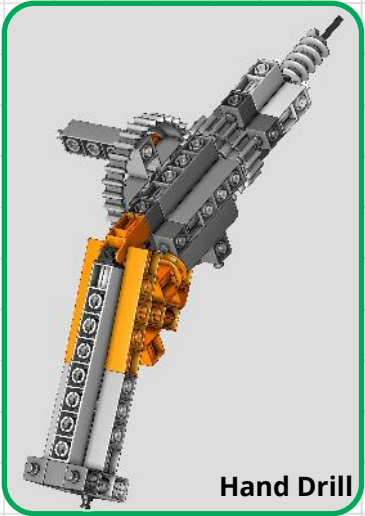
medium

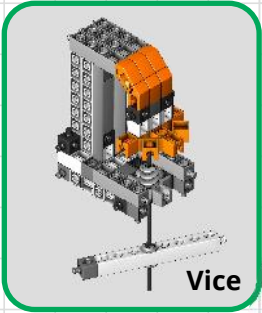


06

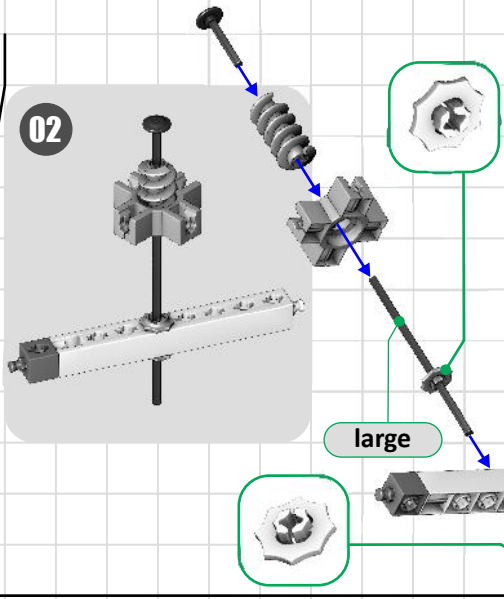
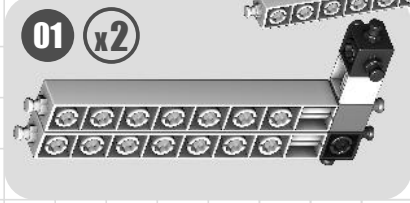




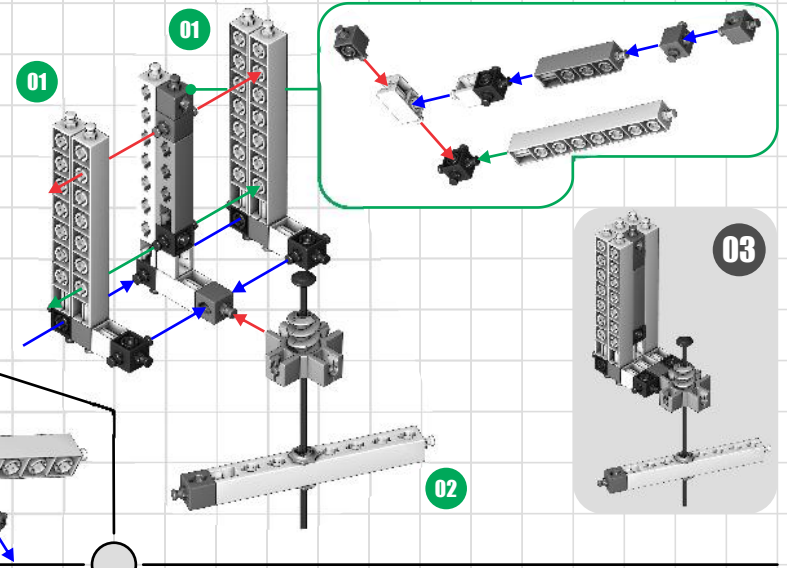




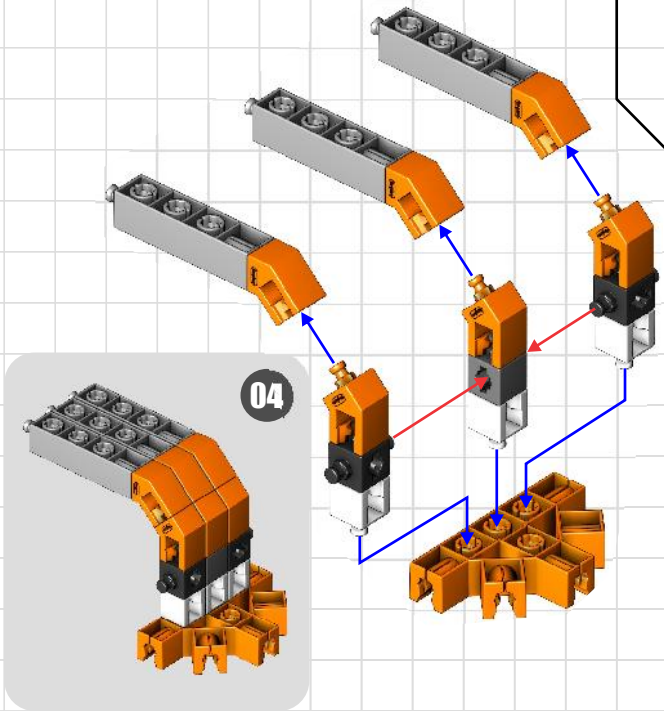
Vice



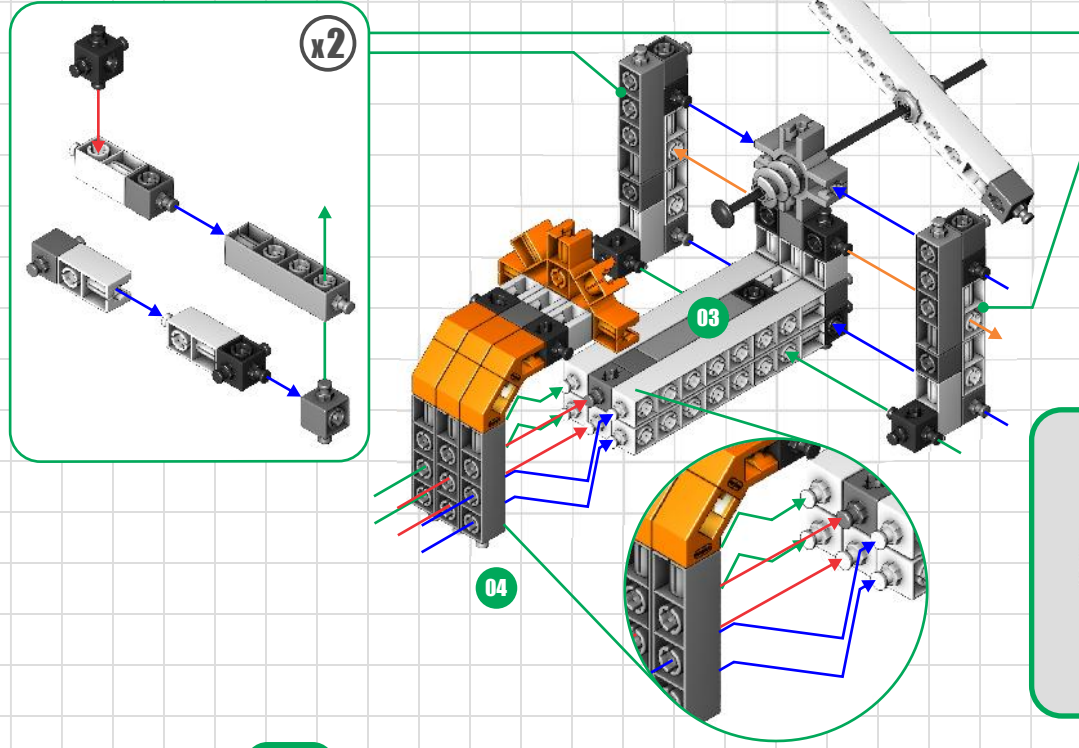
large



03



04



x2

03

04

