

FR - ATTENTION!
 GB - WARNING!
 DE - ACHTUNG!
 NL - WAARSCHUWING!
 ES - ADVERTENCIA!
 PT - ATENÇÃO!
 IT - AVVERTENZA!
 DK - ADVARSEL!
 SE - VARNING!
 FI - VAROITUS!
 NO - ADVARSEL!
 HU - FIGYELMEZTETÉS!

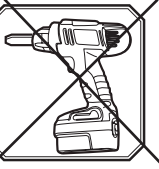
CZ - UPOZORNĚNÍ!
 SK - UPOZORNENIE!
 PL - OSTRZEŻENIE!
 BG - ВНИМАНИЕ!
 RO - AVERTISMENT!
 GR - ΠΡΟΒΛΕΠΟΜΕΝΗ!
 SI - OPOZORNILCI!
 HR - UPOZORENJE!
 TR - UYARI!
 RU - ВНИМАНИЕ!
 UA - УВАГА!
 AR - تنبيه!

★+3

ans år ani
 years vuotta χρόνια
 Jahre år let
 Jaar aios let godina
 aios let rokov užindan
 anos let let roki
 anni lata let
 år години سنوات

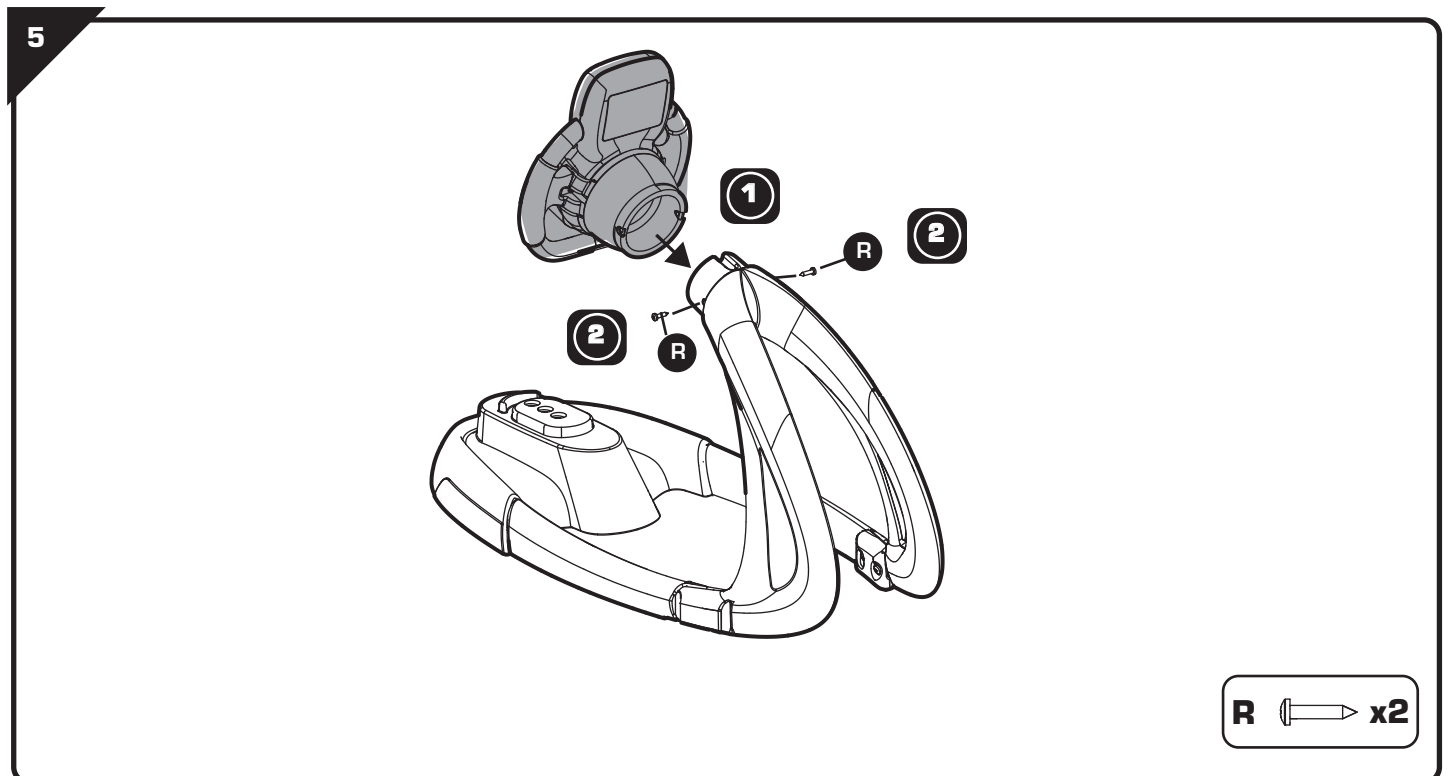
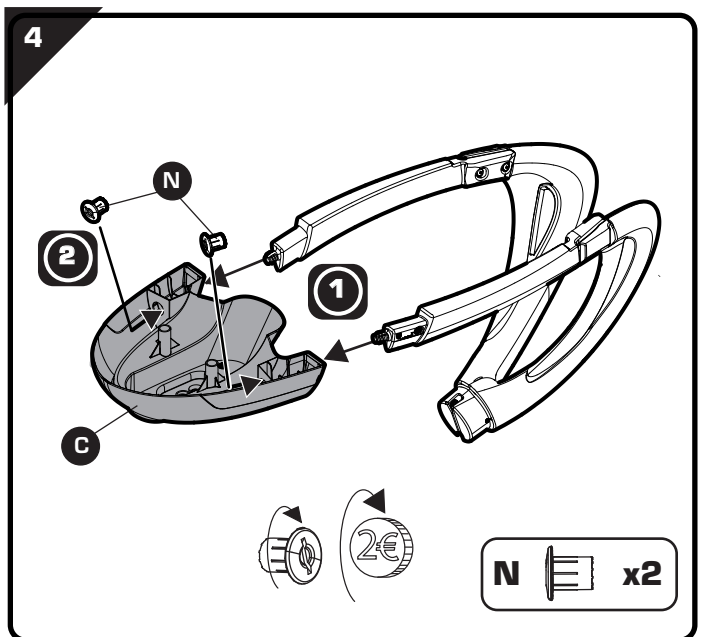
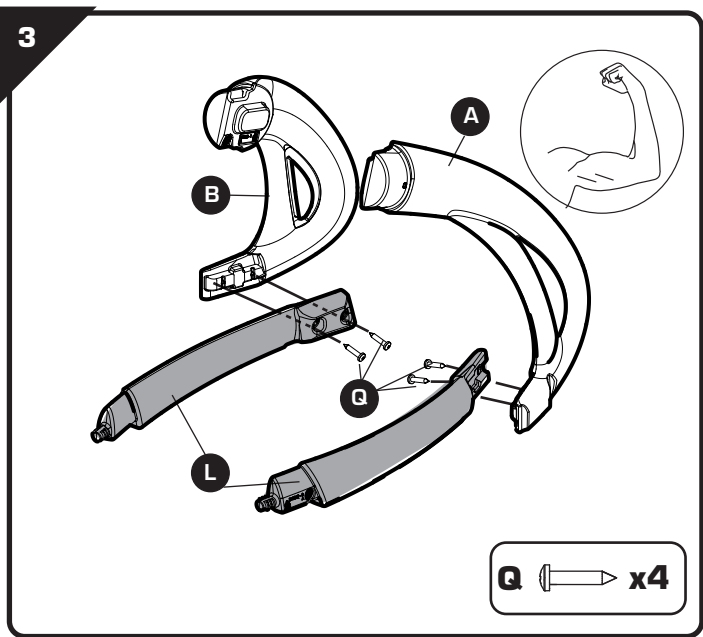
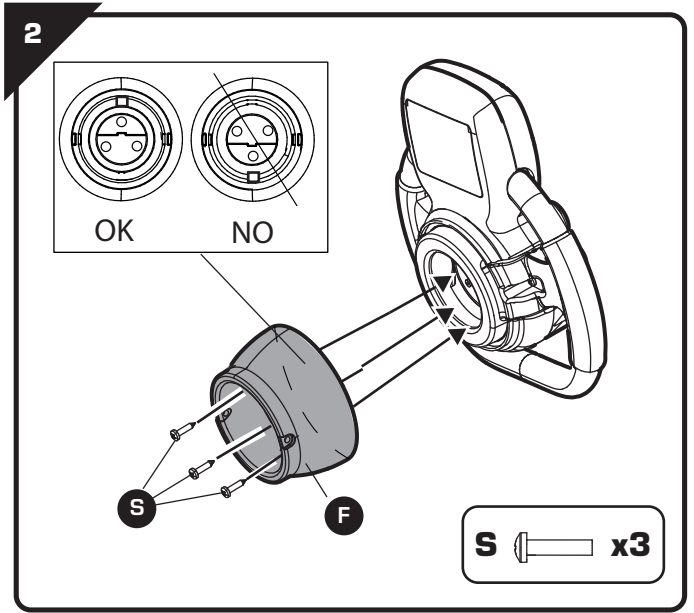
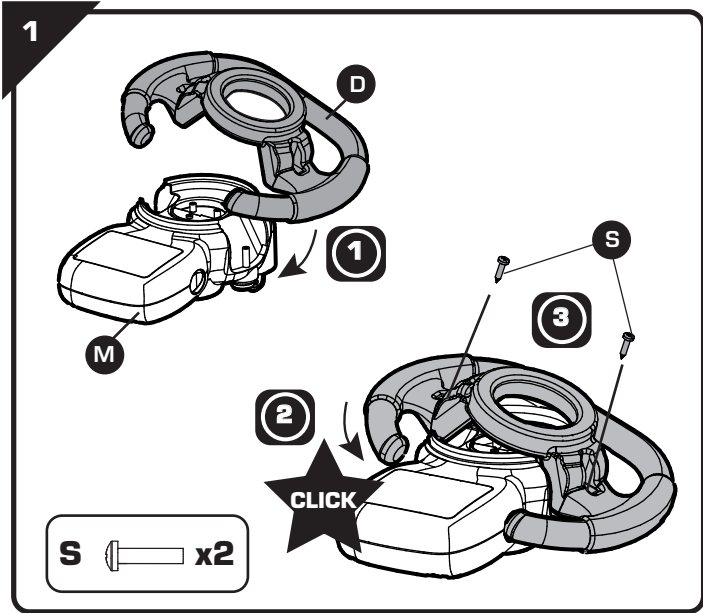


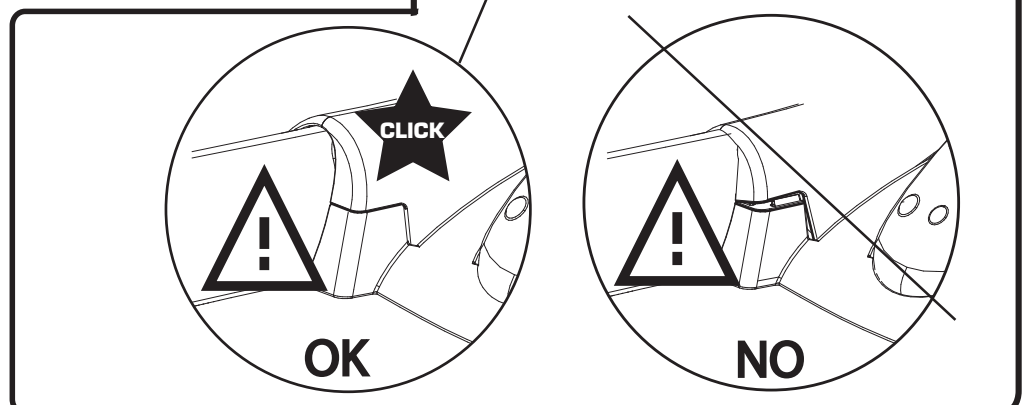
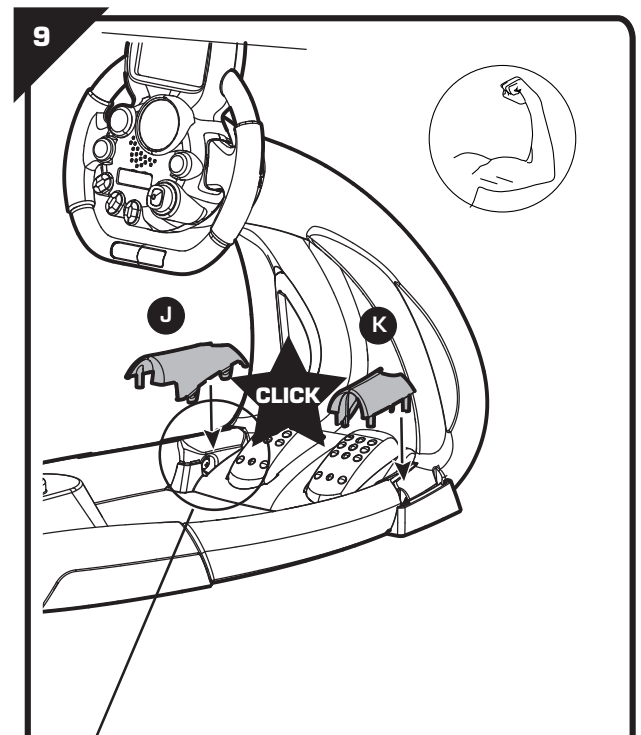
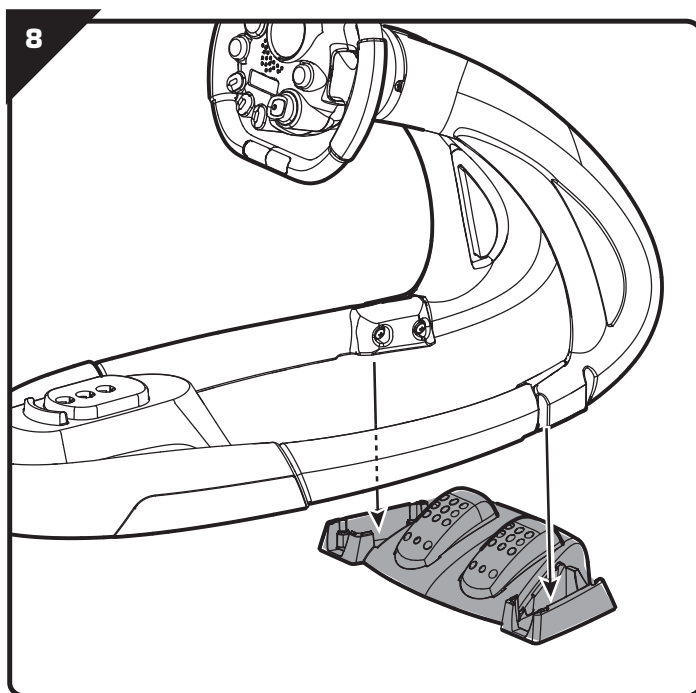
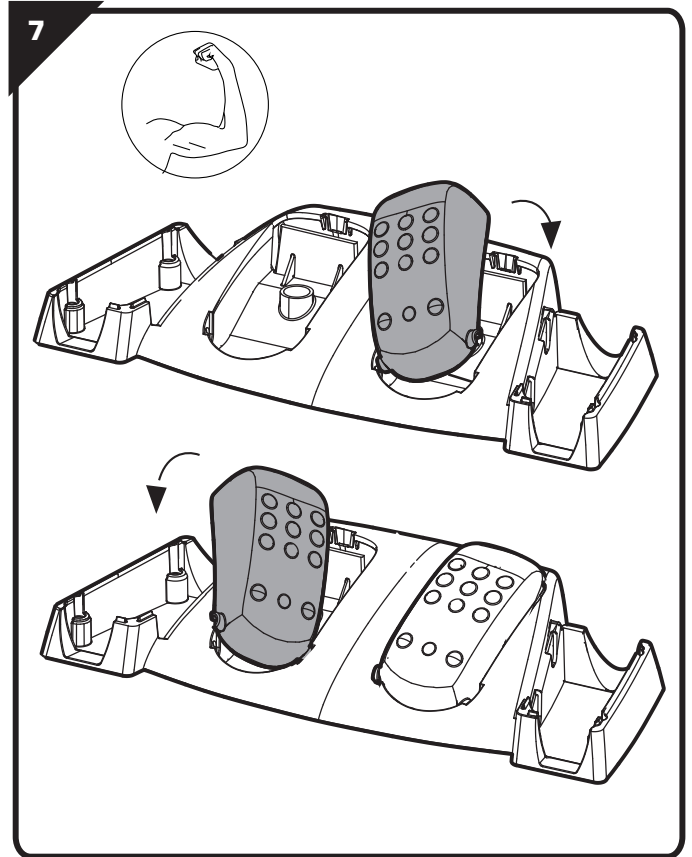
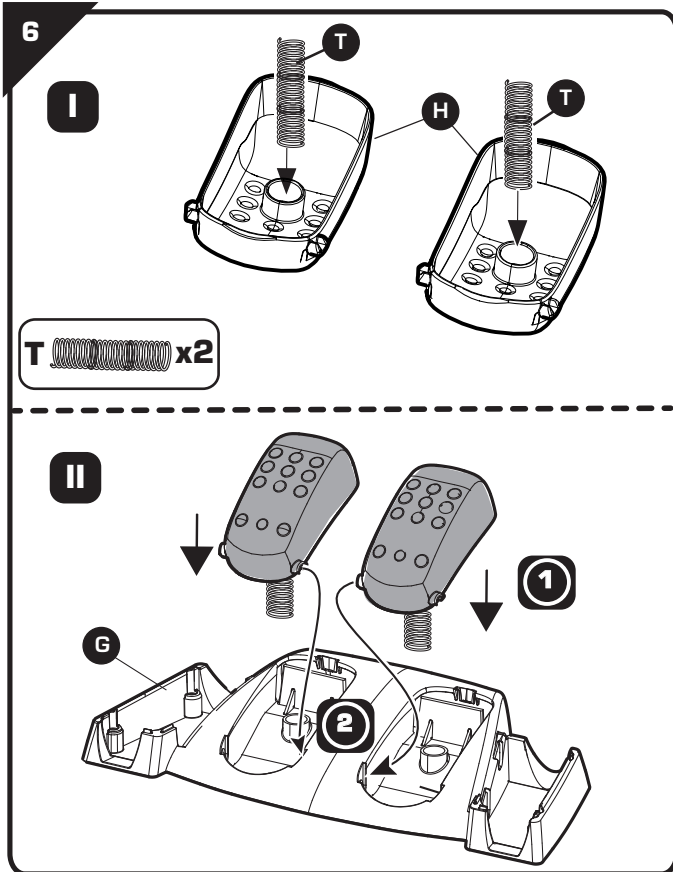
Smoby

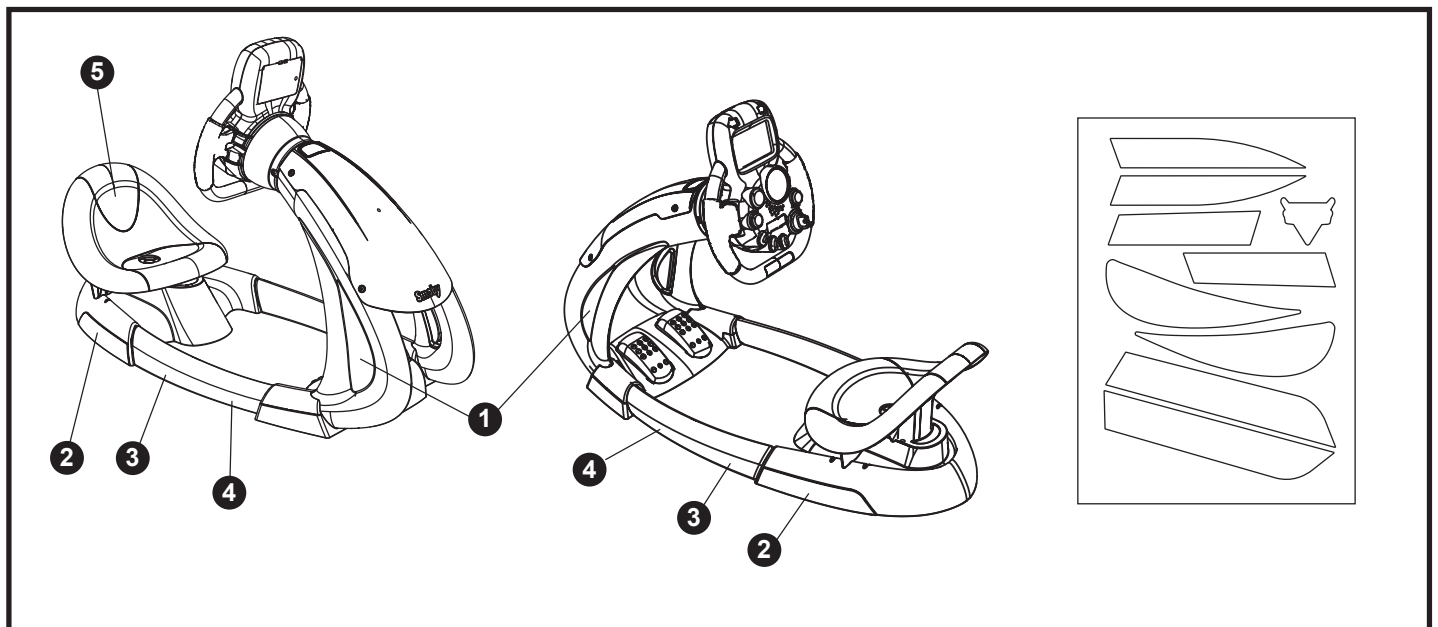
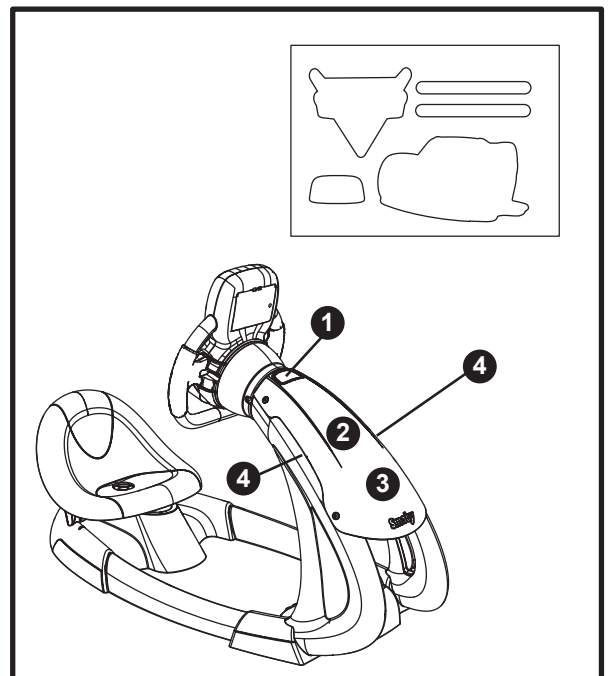
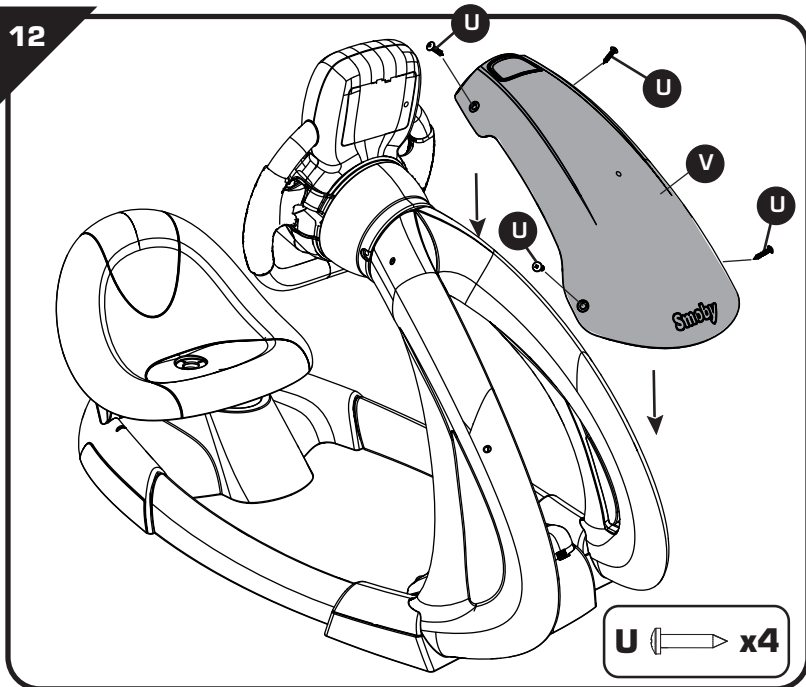
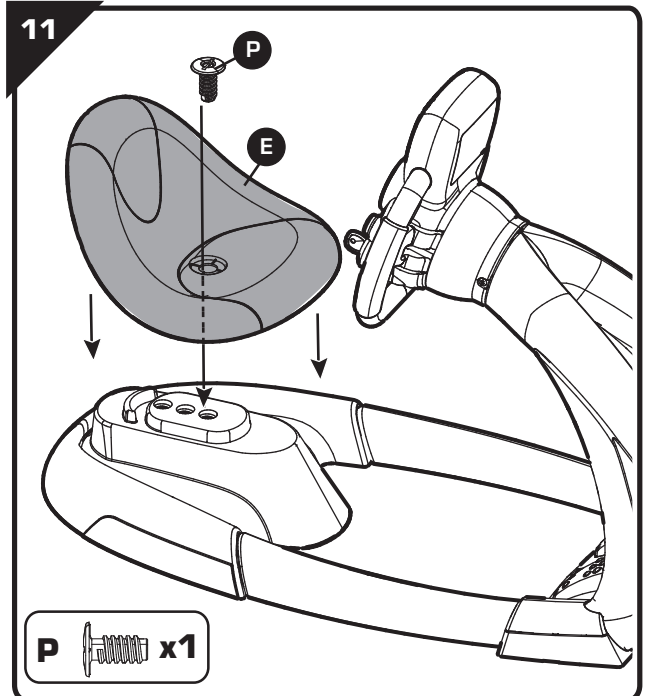
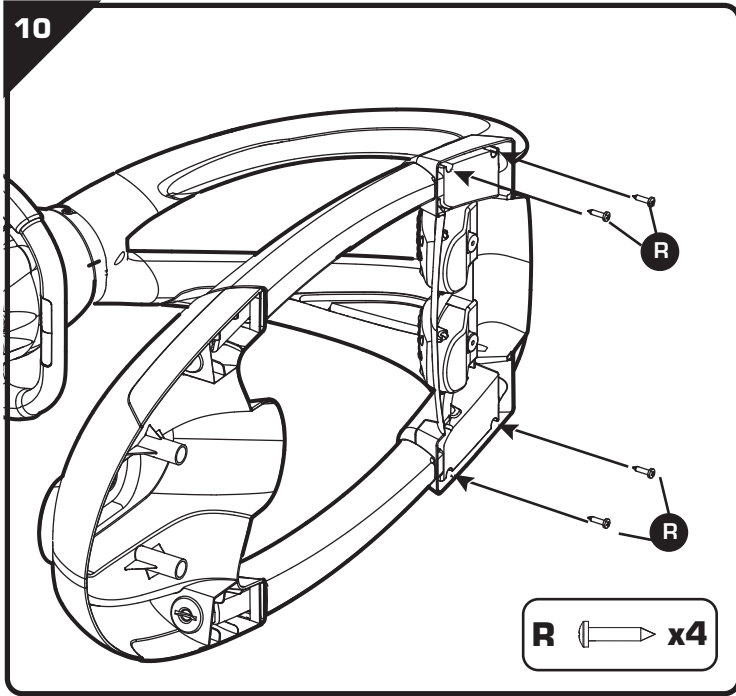


Outils non fournis
 Tools not included
 Werkzeuge nicht mitgeliefert
 Herramientas no incluidas
 Ferramentas nao incluidas
 Accessori non forniti
 Gereedschap niet bijgeleverd

A S13008	x1	F I13083	x1	M AAV0080	x1
B S13008	x1	G I13082	x1	N OUT2404	x2
C I13082	x1	H I13084	x1	P OUT2804	x1
D ABA1214	x1	J I13085	x1	Q Ø6x30 mm	x4
E I13081	x1	L S13009	x1	R Ø4,5x20 mm	x6
				S Ø 3,5x15 mm	x5
				T x2	x2
				U Ø4,5x15 mm	x4
				V I17044	x1







Assistance consommateurs à nous retourner en cas de problèmes / Consumer assistance : for any problems, return this card /
 Verbraucher-Info : Für weitere Auskünfte, senden Sie diese Karte bitte an / Klantenservice : voor inlichtingen, dese kaart naar ons terugsturen /
 Atención al consumidor : para cualquier información, enviar esta tarjeta. / Assistenza per il consumatore : per informazioni, rispedita la presente cartolina.

NOM / NAME :

PRENOM / SURNAME :

RUE / STREET :

VILLE / TOWN :

CODE POSTAL / POSTAL CODE :

PAYS / COUNTRY :

N° TEL :

Email :

Réf. :
AAP1932B

Colors :

Description du motif de la réclamation / Cause for complaint / Grund der Beanstandung Omschrijving van de reden van de klacht / Detalle el motivo de su reclamación / Descizione del motivo del reclamo :

- Manquant / Missing / Fehlende Teile / Tekort / Faltante / Mancante.**
- Cassé / Broken / Gebrochen / Gebroken / Rotura / Rotto.**
- Autre / Other reason / Andere / Andere reden / Otra razón / Altro motivo**

Description ou numéro de la pièce demandée / Description or number of part requested / Beschreibung oder nummer des gewünschten Teils / Omschrijving of nummer van het gevraagde onderdeel / Descripción o número de la pieza solicitada / Descizione o numero del pezzo richiesto :

N°: Qté:

N°: Qté:

N°: Qté:

N°: Qté:

N°: Qté:

N°: Qté:

N°: Qté:

v8 driver



For UK enquiries only / Pour Angleterre uniquement
 If you need any assistance, help or spare parts for this product, please contact the customer care manager.

SIMBA SMOBY TOYS UK Ltd
 Broomfield House
 Bolling Road
 BRADFORD BD4 7BG
 tél : 01274765030
 fax : 01274765031
 care@smobytoys.co.uk

SMOBY TOYS S.A.S.
 Service après ventes, Le Bourg Dessus - 39170 LAVANS-LÈS-SAINT-CLAUDE / FRANCE.
 MODELE DEPOSE - Fabriqué en France - Made in France - www.smoby.com

- SMOBY TOYS GmbH**
 Werkstraße 1
 D-90765 Fürth, Germany.
- SIMBA TOYS ESPAÑA SL**
 Edificio América II
 C/ Proción, 7, Portal 2, Planta 2ª, Oficina E
 28023 Madrid, Spain.
- SIMBA TOYS ITALIA S.p.A.**
 Strada Statale 32, Km. 23, 860
 28050 Pombia (NO), Italy.
- SIMBA SMOBY TOYS UK Ltd.**
 Broomfield House, Bolling Road
 Bradford BD4 7BG, United Kingdom.
- SIMBA TOYS POLSKA Sp. z o.o.**
 ul. Flisa 2
 02-247 Warszawa, Poland.
- SIMBA TOYS HUNGÁRIA Kft.**
 Vendel Park, Budai u. 4.
 2051 Biatörbágy, Hungary.
- SIMBA TOYS CZ, spol. s r. o.**
 Lidická 481
 273 51 Unhošt, Czech Republic.
- SIMBA/DICKIE (SWITZERLAND) AG**
 Überlanstrasse 18
 CH-8953 Dietikon/ZH, Schweiz.
- SIMBA TOYS AUSTRIA**
 Handels GmbH & Co KG, Jochen-Rindt-Str. 25
 1230 Wien, Austria.
- SIMBA OYUNCAK PAZARLAMA Ltd. Sti.**
 İcerenköy Mahallesi, Huzur Hoca Caddesi
 Piramit Grup İş Merkezi No.57
 34752 Ataşehir / İstanbul, Turkey.
- SIMBA TOYS BULGARIA**
 Ul Rozova Gradina N°17
 1538 Krivina, Bulgaria.
- SISO TOYS SOUTH AFRICA (PTY) Ltd.**
 264 Aberdare Drive, Phoenix Industrial Park
 Phoenix, Durban
 4068, Kwa Zulu Natal, South Africa.
- SIMBA-DICKIE NORDIC AS**
 Nygårdsveien 79
 3221 Sandefjord, Norway.
- SIMBA DICKIE FINLAND OY**
 Sinikalliontie 3 B
 02630 Espoo, Finland.
- N.V. SIMBA TOYS BENELUX S.A.**
 Moeskroensesteenweg 383C,
 8511 Aalbeke, Belgium.
- S.C. SIMBA TOYS ROMANIA SRL**
 Baneasa Business Center
 Sos. Bucuresti-Ploiesti 19-21, Sector 1
 013694 - Bucuresti, Romania.
- SIMBA DICKIE GROUP RUSSIA, BELARUS**
 Moscow, Novatorov 1.
 117393, Russia.
- SIMBA TOYS UKRAINE Ltd.**
 42 Chervonotkatska street
 Kyiv 02660, Ukraine.
- SIMBA TOYS INDIA Pvt Ltd.**
 808, Windfall, Sahar Plaza Complex
 Kurla Road, J.B. Nagar, Andheri (East)
 Mumbai 400059, India.
- SIMBA TOYS HONG KONG Limited**
 20/F, Prudential Tower, The Gateway,
 Harbour City, 21 Canton Rd,
 TST, Kowloon, Hong Kong.
- SIMBA TOYS MIDDLE EAST FZCO**
 P.O. Box 61106
 Jebel Ali Free Zone, South Zone 5
 PLOT S3 - 1008, Dubai - U.A.E.
- SIMBA TOYS MIDDLE EAST QATAR**
 P.O. Box 5060 - Doha Qatar.
- SIMBA SMOBY CHILE - LATAM & MEXICO**
 Los Militares 5885, Oficina 1402
 Las Condes, Santiago de Chile, Chile.
- SIMBA TOYS KAZAKHSTAN LLP**
 AILP Warehouse Complex, ychastok 1,
 poselok Almerik, Guldalinsky rural district
 Talgarsky area, Almaty 041611, Kazakhstan.



PENSEZ AU TRI !

ENSEMBLE RÉDUISONS L'IMPACT ENVIRONNEMENTAL DES EMBALLAGES

SACHET PLASTIQUE

À JETER

BOITE CARTON

À RECYCLER

CONSIGNE POUVANT VARIER LOCALEMENT > WWW.CONSIGNESDETRI.FR

⚠ WARNING: CHOKING HAZARD.

Small parts. Not for children under 3 yrs.

⚠ WARNING:

Never allow a child to play without adult supervision.

⚠ WARNING:

Toy must be assembled by an adult, as it contains hazardous points or edges. A sharp tool shall be used.

⚠ WARNING:

Batteries should be changed by an adult.
 Do not mix alkaline, standard (carbon-zinc), or rechargeable (nickel-cadmium) batteries.
 Do not mix old and new batteries.