

# Priya Trioset

(US)

**D** Gebrauchsanweisung

**GB** Instructions for use

**NL** Gebruiksaanwijzing

**F** Mode d'emploi

**E** Instrucciones de manejo

**P** Instruções de uso

**I** Istruzioni per l'uso

**DK** Brugsvejledning

**FIN** Käyttöohje

**S** Bruksanvisning

**N** Bruksanvisning

**GR** Οδηγίες χρήσης

**RUS** Инструкция по эксплуатации

**RO** Instrucțiuni de utilizare

**BG** Упътване за употреба

**BIH** Upute za korištenje

**GEO** ინსტრუქცია

**MK** Упатство за употреба

**TR** Kullanma talimatı

**SK** Návod na použitie

**UA** Інструкція по експлуатації

**CZ** Návod k použití

**H** Használati utasítás

**PL** Instrukcja użytkowania

**EST** Kasutusjuhend

**LV** Lietošanas pamācība

**LT** Nudojimo instrukcija

**SLO** Navodila za uporabo

**HR** Upute za uporabu

**SRB** Uputstva za upotrebu

**AR** دليل الاستخدام

**FA** راهنمای مصرف کننده

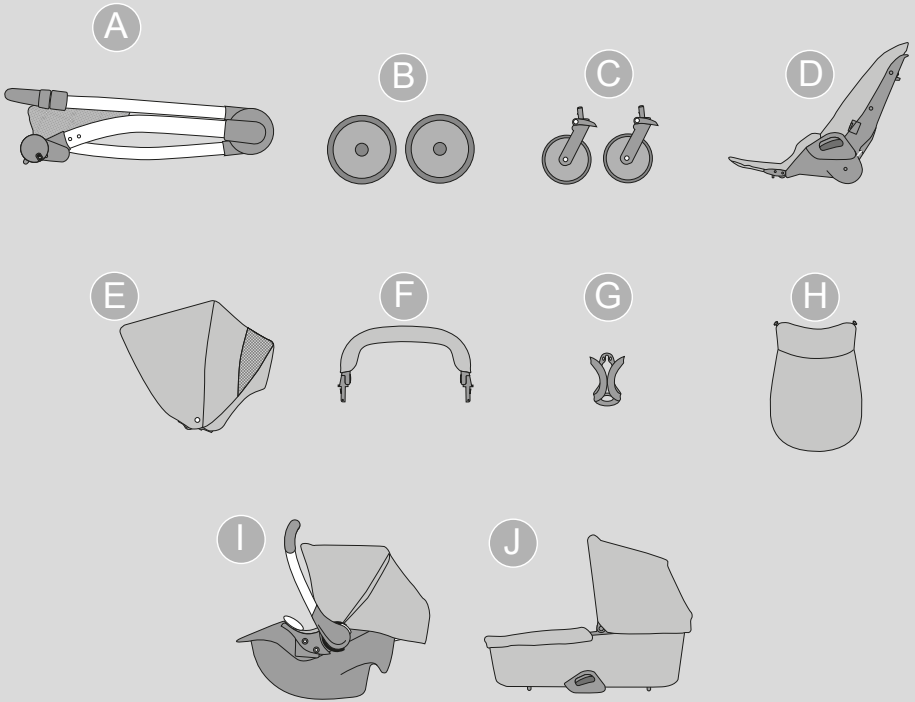
**CN** 操作说明书

**TW** 操作說明書

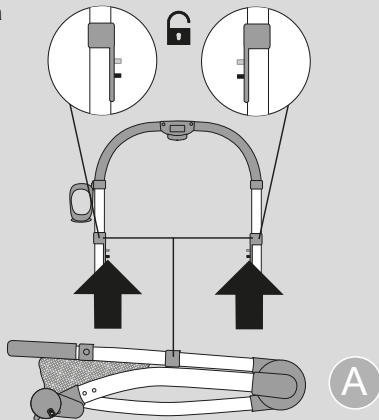
**IMPORTANT: KEEP THESE INSTRUCTIONS  
FOR FUTURE REFERENCE!!**



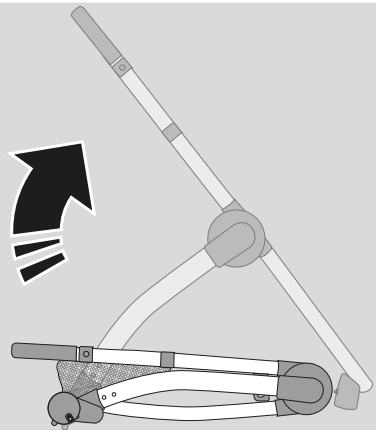
1

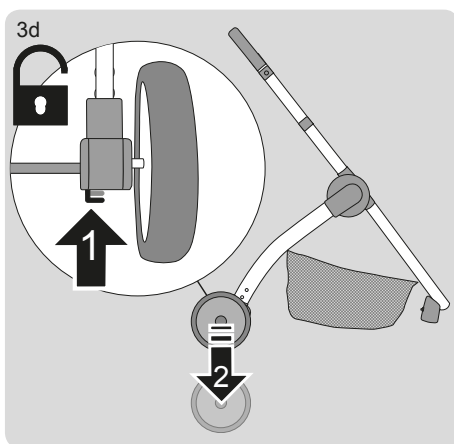
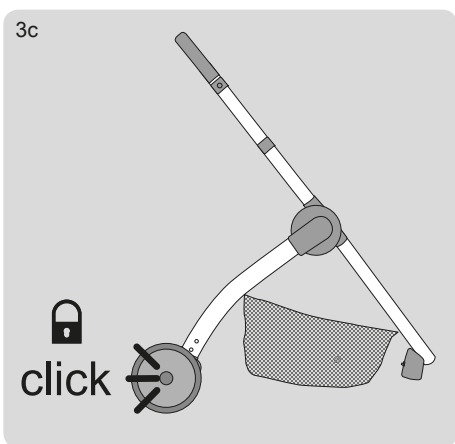
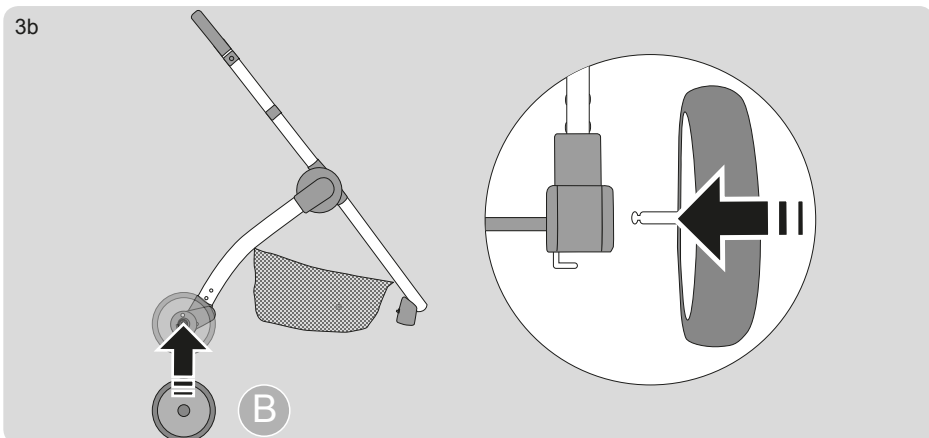
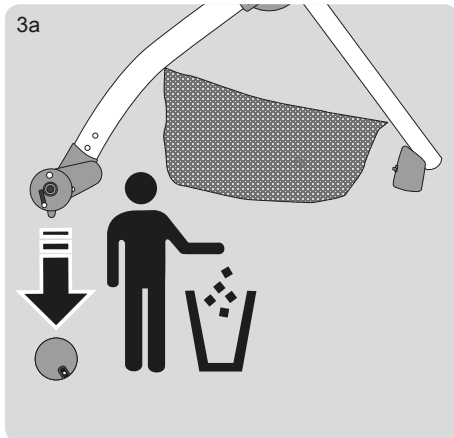
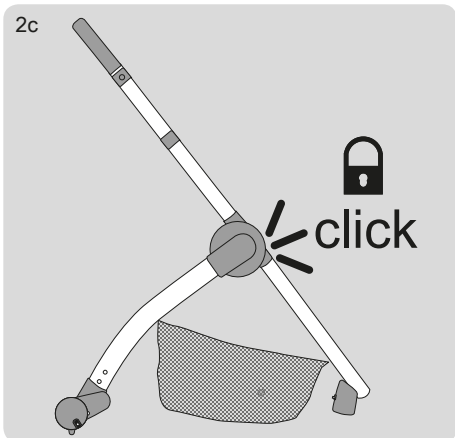


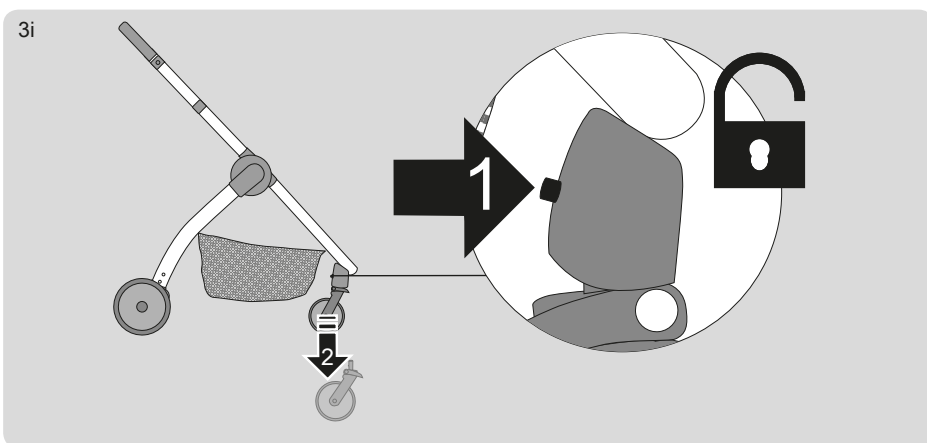
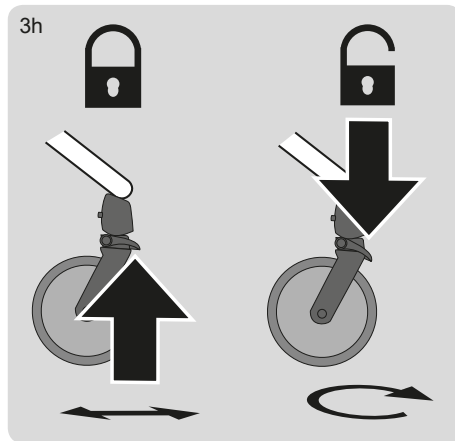
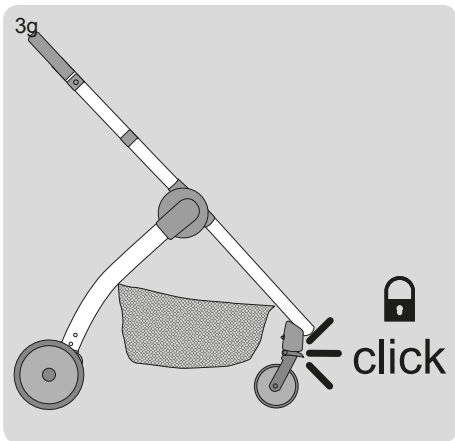
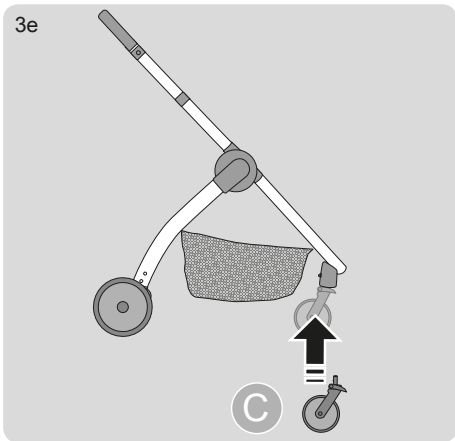
2a



2b

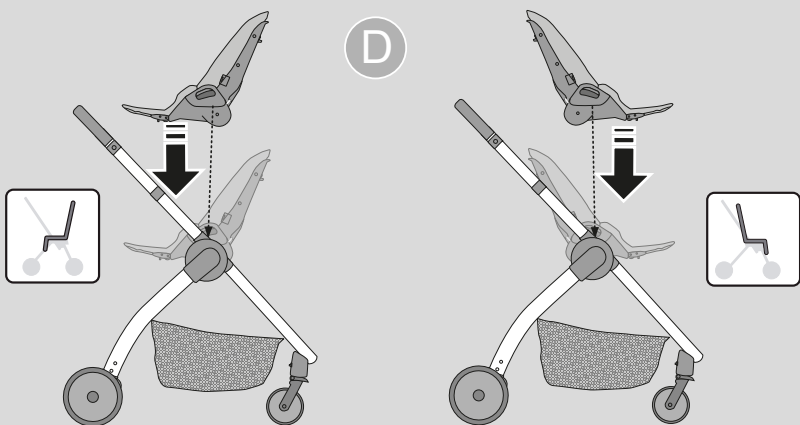




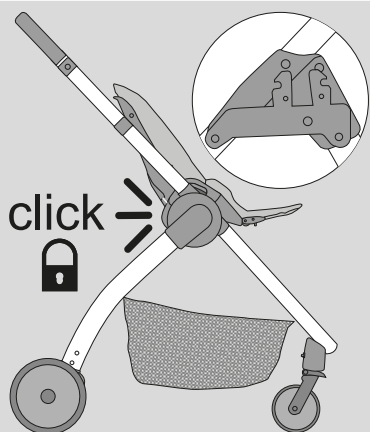


4a

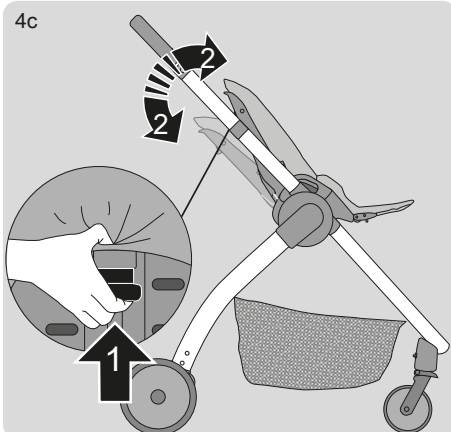
D



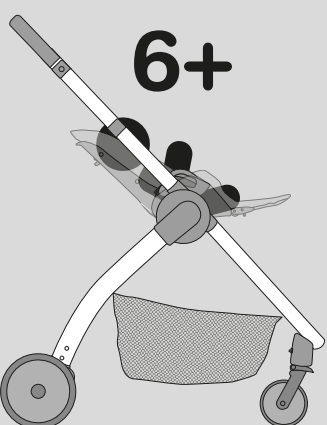
4b



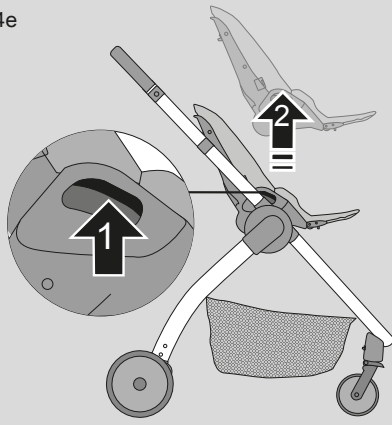
4c

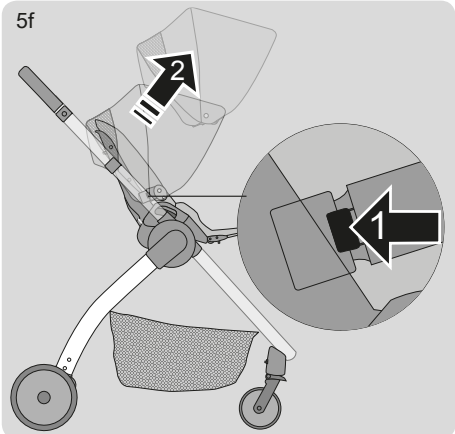
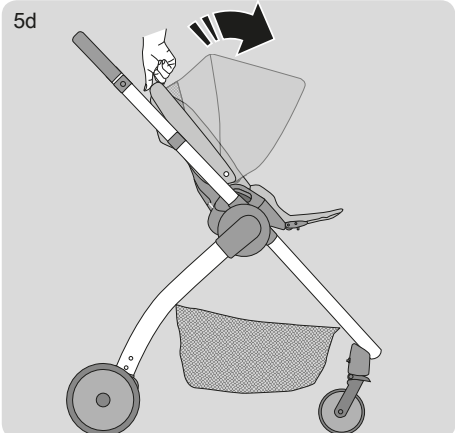
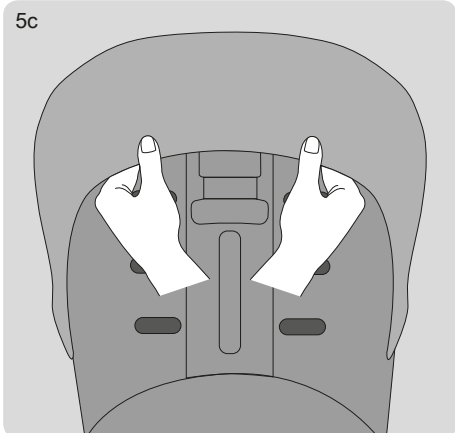
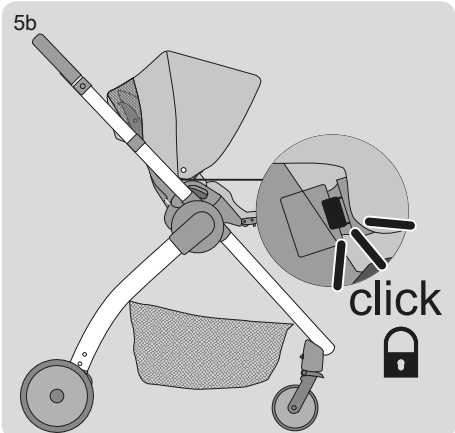
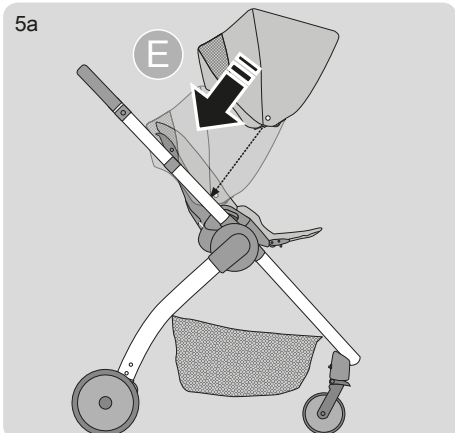


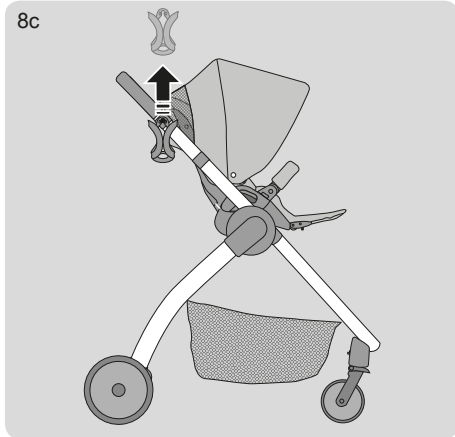
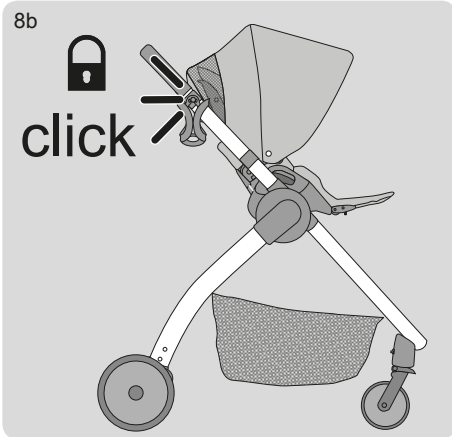
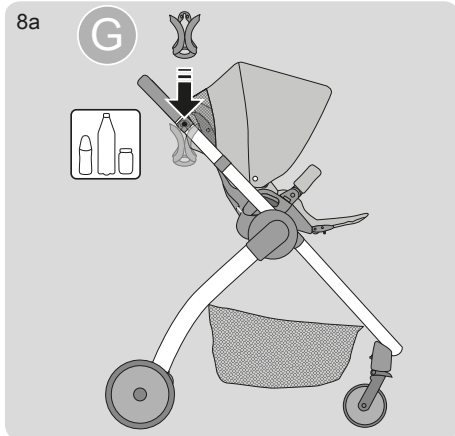
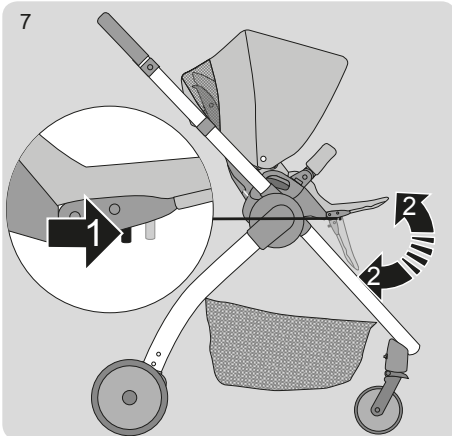
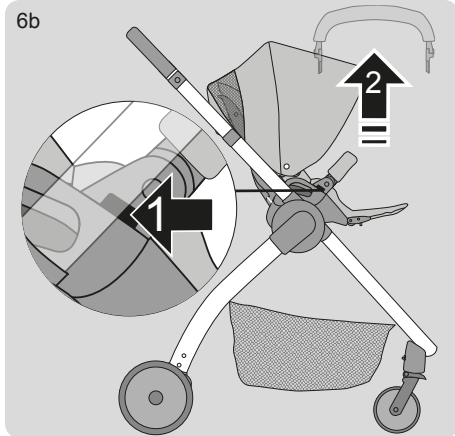
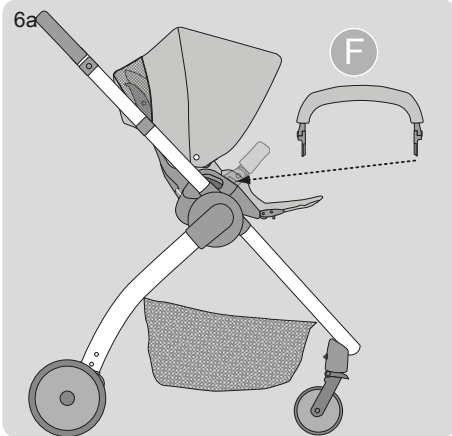
4d



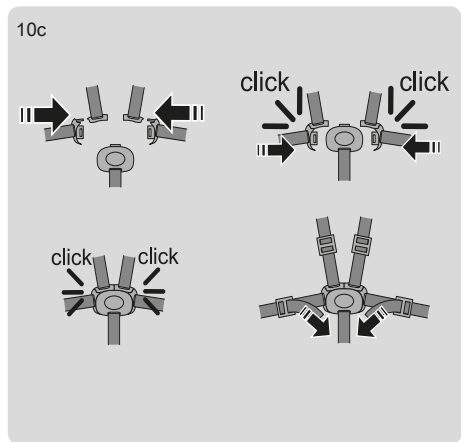
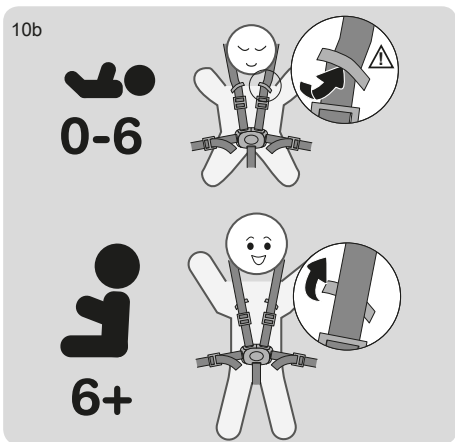
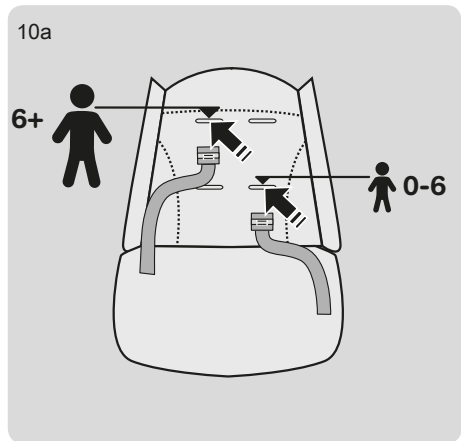
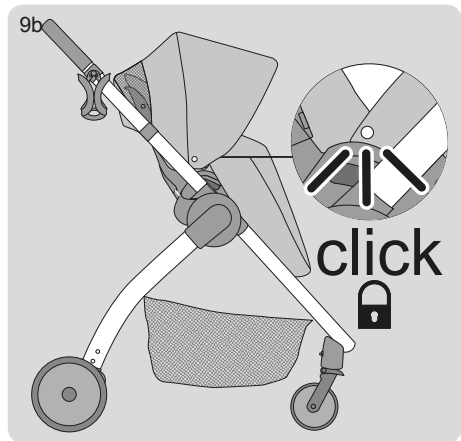
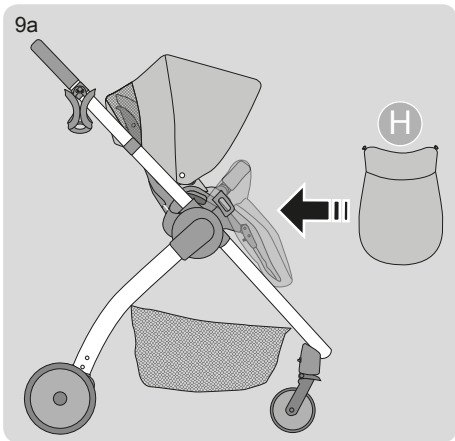
4e



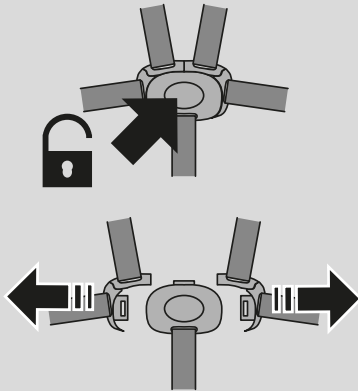




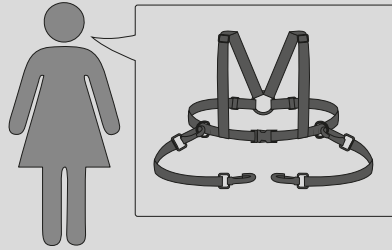




10d



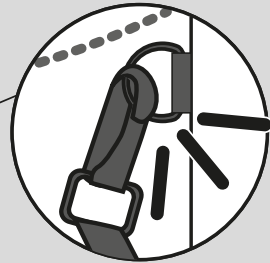
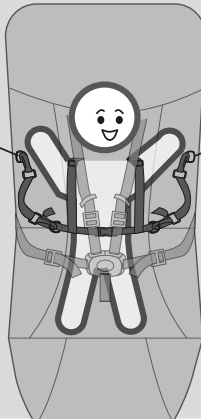
OPTION



OPTION 1

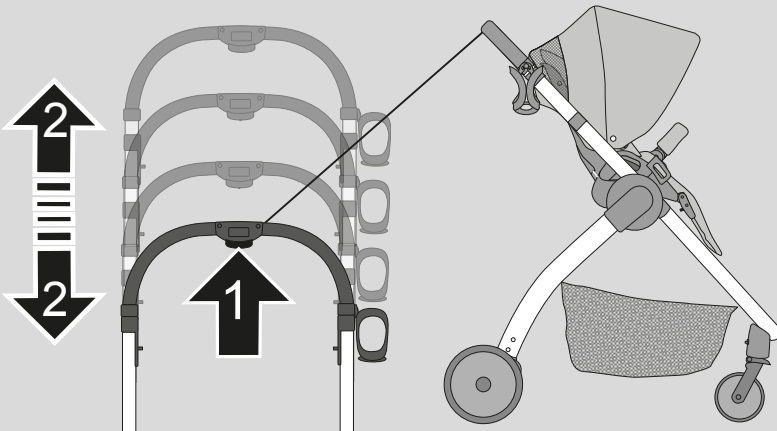


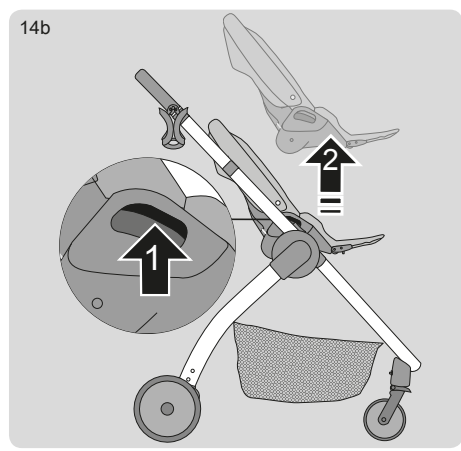
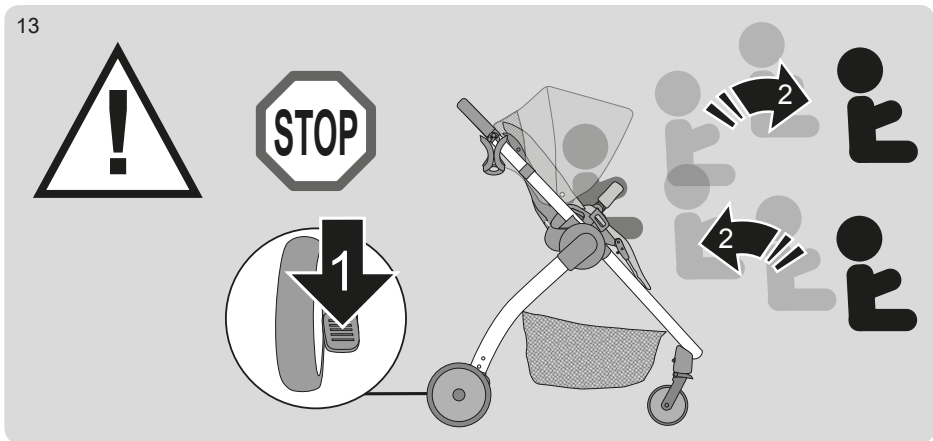
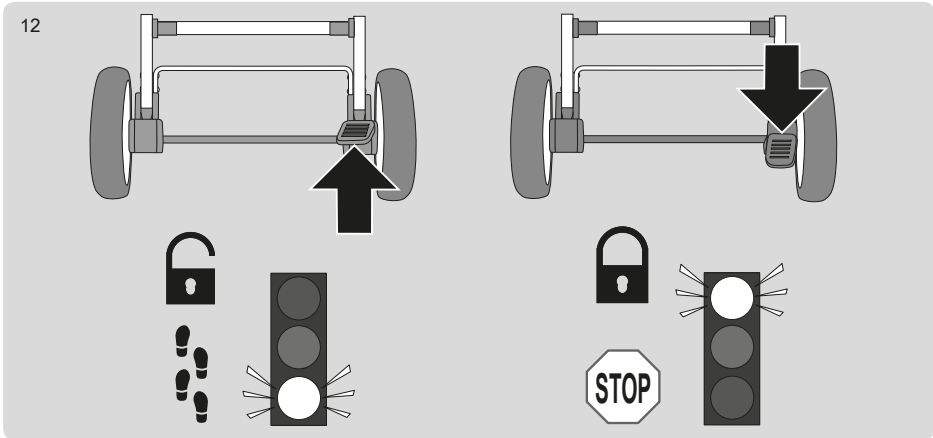
click



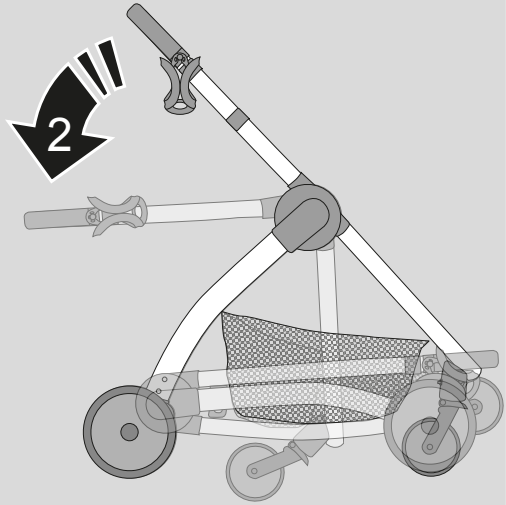
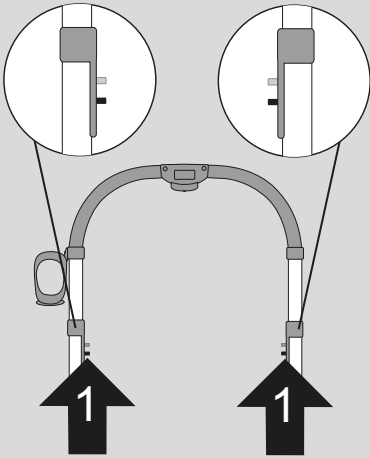
click

11

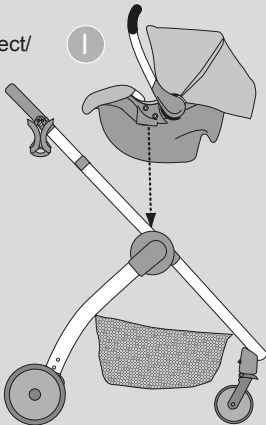




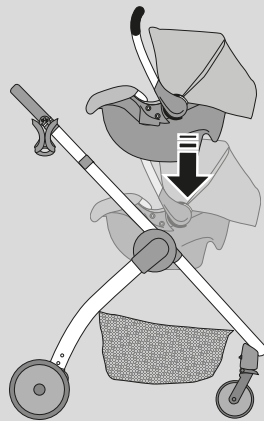
14c



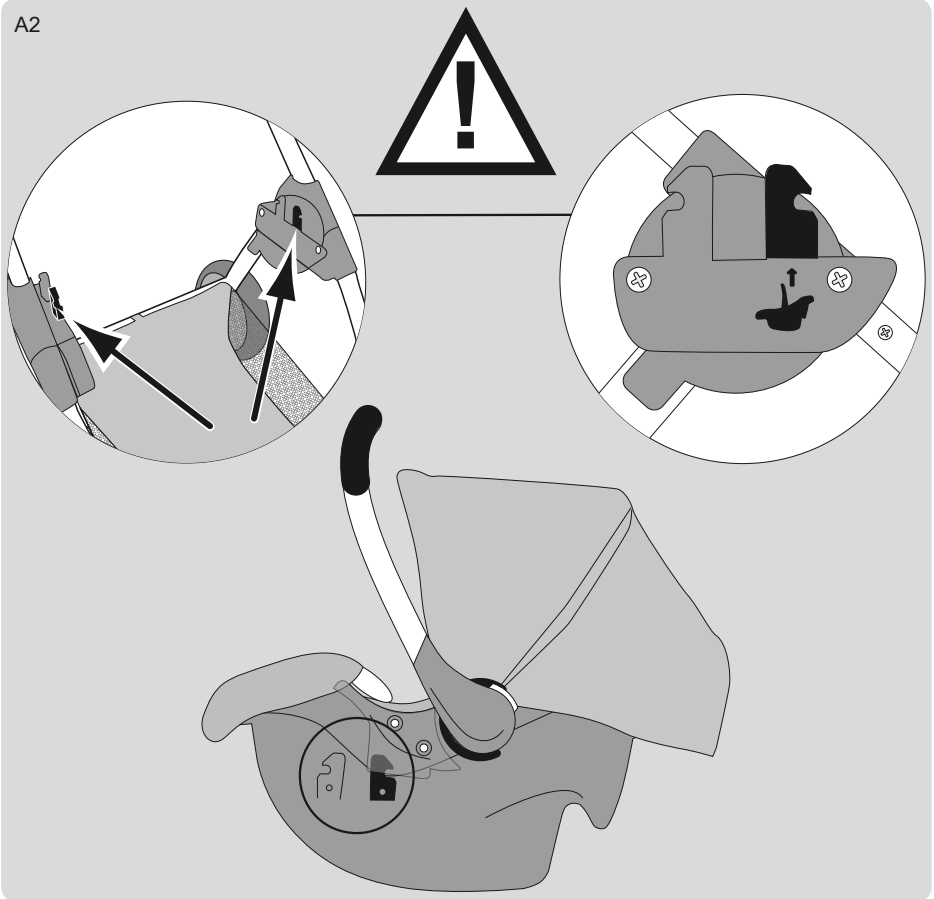
OPTION A  
Zero Plus Select/  
Priya Trio Set



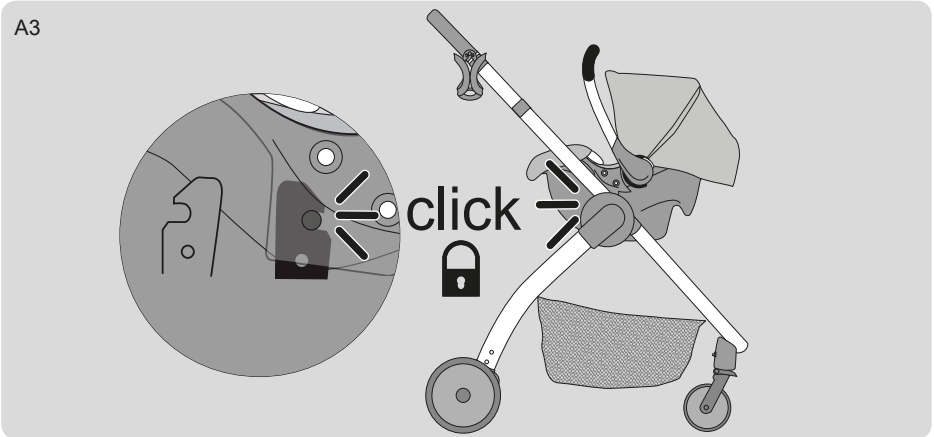
A 1



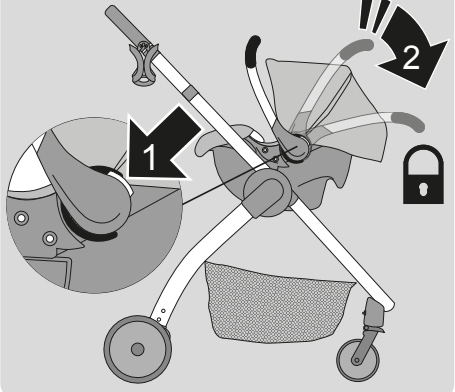
A2



A3



A4



A5



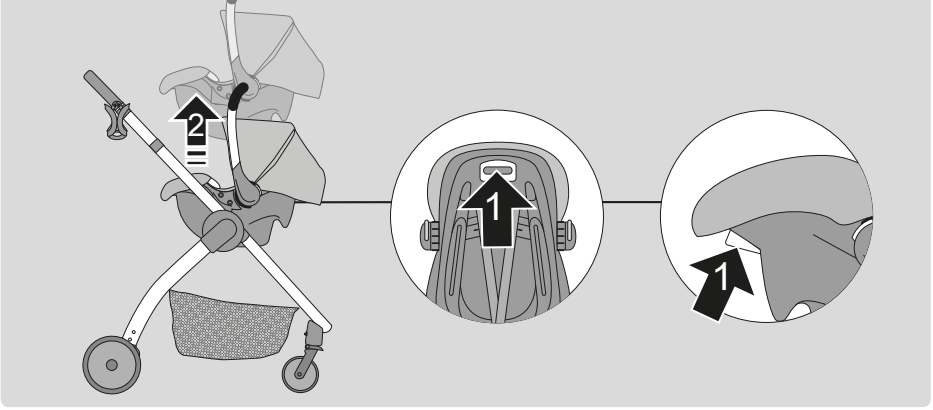
A6



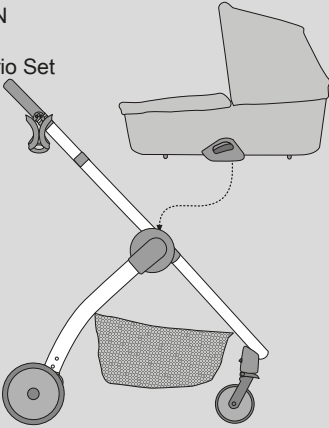
A7



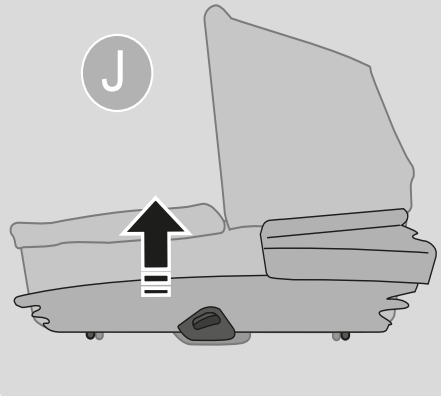
A8



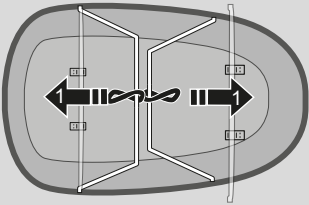
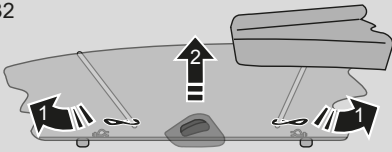
OPTION  
Pram/  
Priya Trio Set



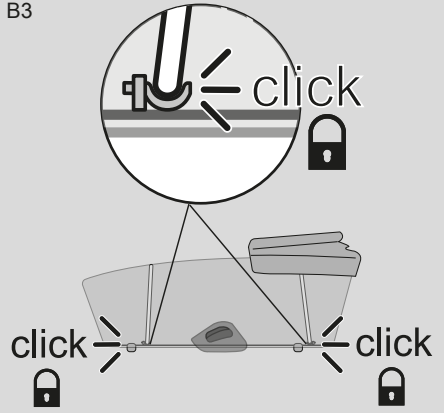
B1



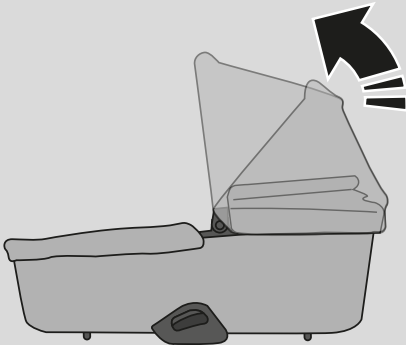
B2



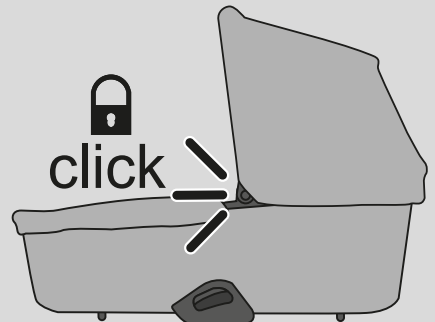
B3



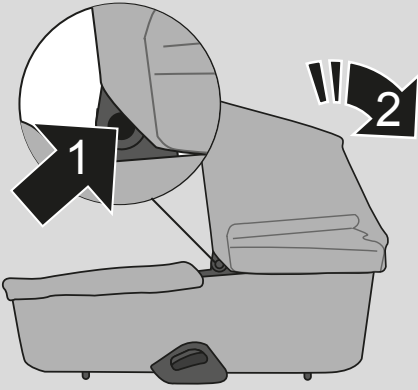
B4



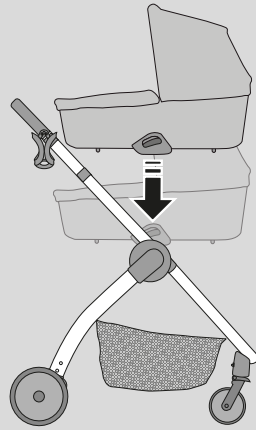
B5



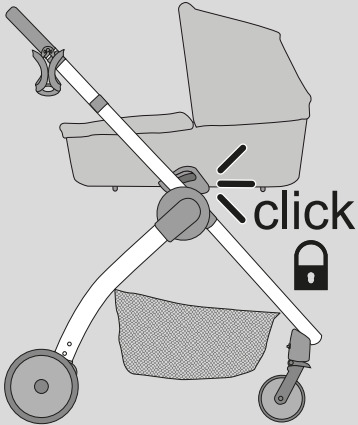
B6



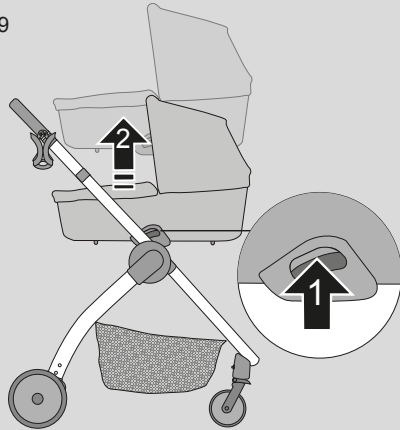
B7



B8



B9





## Warnings for pushchairs from 6 months

- Please read these instructions carefully before use and keep them for later reference. The safety of your child could be put at risk if you do not follow these instructions.
- This vehicle is designed for 1 child from 6 months up to a weight of 15 kg.
- WARNING: This seat unit is not suitable for children under 6 months.
- WARNING: Never leave your child unattended.
- WARNING: Ensure that all the locking devices are engaged before use.
- WARNING: Do not let your child play with this product.
- WARNING: Always use the restraint system.
- WARNING: This product is not suitable for running or skating.
- WARNING: Do not insert any additional mattresses into the vehicle.
- The maximum loading weight for the basket is 3 kg.
- WARNING: Accessories which are not approved by the manufacturer shall not be used.
- This pushchair has been designed for one child and shall be used for the transport for only one child!
- WARNING: To avoid injury ensure that your child is kept away when unfolding and folding this product.
- Only replacement parts supplied or recommended by HAUCK shall be used.
- Any load attached to the handle and on the back of the backrest and on the sides of the vehicle will affect the stability of the vehicle.
- The parking device shall be engaged when placing and removing the children.
- The maximum permissible load for the basket and other load carrying accessories shall not exceed 3 kg.
- Only use original spare parts which are offered or recommended by the manufacturer!
- EN1888-2012

## Warnings

- WARNING: Loads suspended from the handle impair the stability of the vehicle.
- WARNING: Always apply the parking brake as described / depicted when parking the vehicle.
- WARNING: Always use the crutch strap in combination with the waist belt.
- The loading weight of a platform supplied or purchased in addition may not exceed 20 kg.

## Care and maintenance

- Please note the textile designation.
- Please check on a regular basis that the brakes, wheels, latches, connecting elements, belt systems and seams are properly functional.
- Do not expose the product to strong sunshine.
- After use in rain or snow, the wheels should be lubricated and the vehicle dried to prevent rust.
- Care for, clean and check this product regularly.

## Warnings child car seats

- This product is suitable for children with a weight from 0 to 13 kg.
- Only suitable for use in vehicles equipped with a three-point safety belt as approved by the ECE regulation No.16 or by other, comparable standards.
- All belts intended for fastening to the restrainer fittings in the vehicle must be tightened. The belts used to hold the child must be fastened tightly. The belts may furthermore not be twisted.
- It is essential to ensure that the crutch belts are fastened as low as possible to ensure that the crutch is retained properly.
- Replace the restrainer fittings if they have been subject to heavy loading due to an accident.
- **WARNING:** It is dangerous to change or supplement the restrainer fittings in any way without approval from the competent authorities and to not precisely observe the assembly instructions for restrainer fittings issued by the manufacturer.
- Do not expose the seat to direct sunlight.
- **WARNING:** Do not leave your child unattended in the restrainer fittings.
- Adequately secure items of luggage or other objects which could injure your child in case of a collision.
- Do not use the child restrainer fittings without seat cover.
- The seat cover is an integral part of the restrainer fittings and may not be exchanged for any other than that stated by the manufacturer.
- Rigid parts and plastic parts must not be jammed during assembly.
- Use the belt guide only as shown in the drawing.
- **WARNING:** This product does not comply to the requirements of EN 12790 for reclined cradles !
- Never use this product as reclined cradle.
- Only use original spare parts which are offered or recommended by the manufacturer!

## Care and maintenance

- Please note the textile designation.
- Please check on a regular basis that the carrier bracket, the belt lock, latches, belt systems and seams are properly functional.
- Care for, clean and check this product regularly.



hauck GmbH + Co KG    Tel.    : +49(0)9562/986-0  
Frohnlicher Str. 8    Fax    : +49(0)9562/6272  
D-96242 Sonnefeld    E-mail : info@hauck.de  
Germany                Internet: <http://www.hauck.de>

IM\_H\_Priya\_TS\_US\_15\_07\_08

