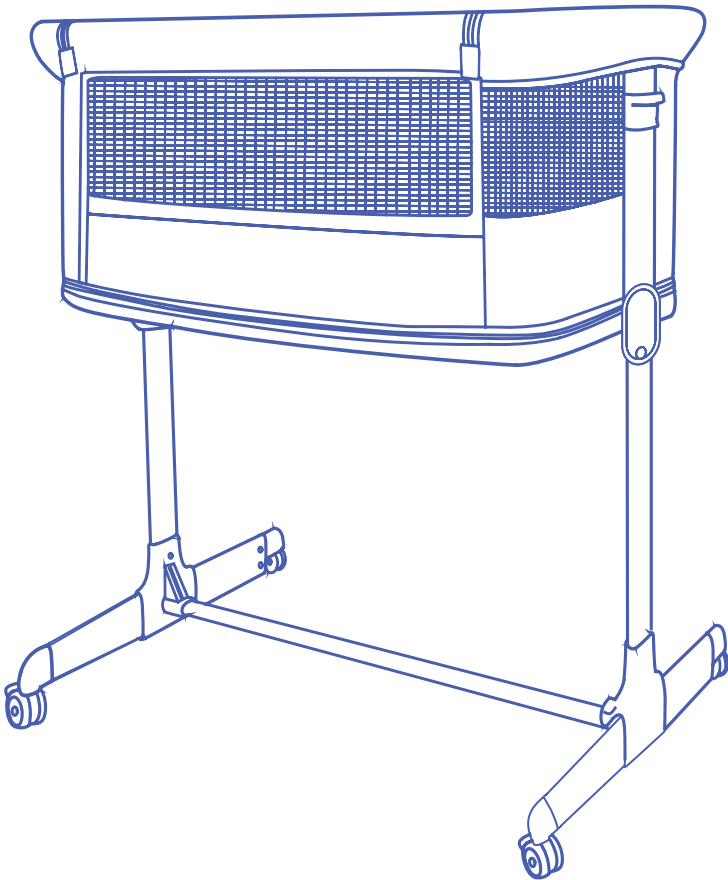


 **kikka boo**

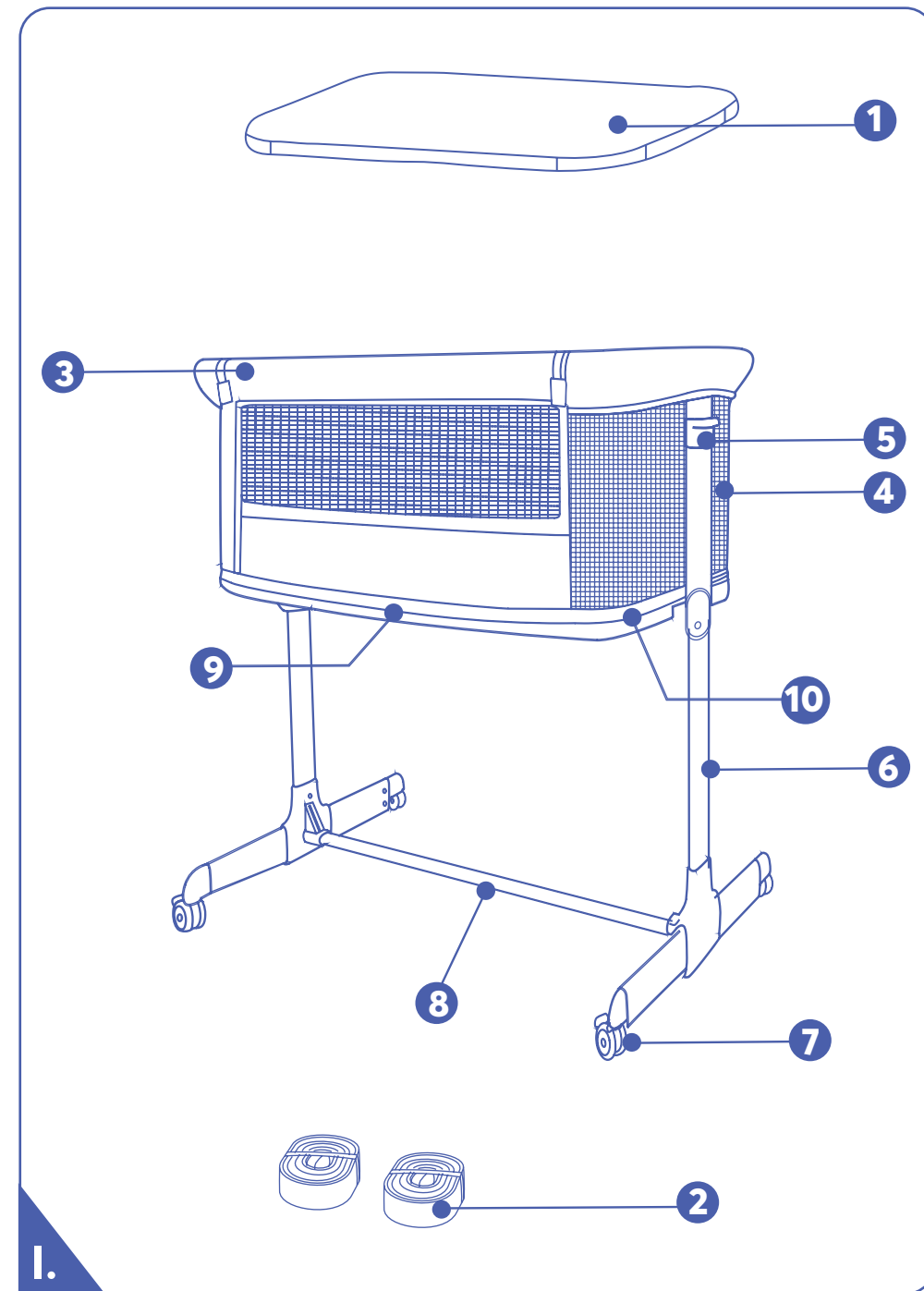
**NOAH**  
*bed-side crib*



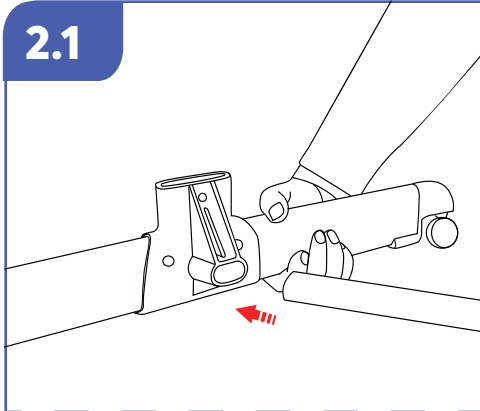
0m+

[www.kikkaboo.com](http://www.kikkaboo.com)

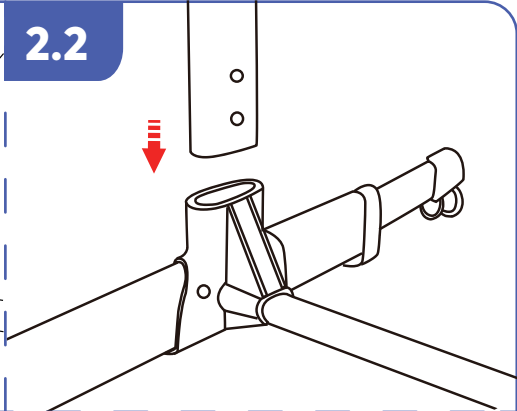
<b>EN</b> INSTRUCTIONS FOR USE	<b>BS</b> UPUTSTVO ZA UPOTREBU
<b>ES</b> INSTRUCCIONES DE USO	<b>KA</b> ინსტრუქცია გამოყენებლად
<b>BG</b> ИНСТРУКЦИИ ЗА УПОТРЕБА	<b>ME</b> STRUZZJONIJIET DWAR L-UŽU
<b>IT</b> ISTRUZIONI PER L'USO	<b>UA</b> ІНСТРУКЦІЯ З ВИКОРИСТАННЯ
<b>GR</b> ΟΔΗΓΙΕΣ ΧΡΗΣΗΣ	<b>HR</b> UPUTE ZA UPORABU
<b>DE</b> GEBRAUCHSANWEISUNG	<b>CZ</b> NÁVOD K POUŽITÍ
<b>FR</b> MODE D'EMPLOI	<b>SK</b> INŠTRUKCIE NA POUŽÍVANIE
<b>NL</b> GEBRUIKSAANWIJZING	<b>SL</b> NAVODILA ZA UPORABO
<b>FI</b> KÄYTTÖOHJEET	<b>HU</b> HASZNÁLATI UTASÍTÁS
<b>RO</b> INSTRUCȚIUNI DE FOLOSIRE	<b>HY</b> ԾԳՏԱԳՈՐԾՄԱՆ ՅՈՒՅՈՒՄՆԵՐ
<b>PT</b> INSTRUÇÕES DE USO	<b>ET</b> KASUTUSJUHEND
<b>MT</b> ISTRUZZJONIJIET GHALL-UŻU	<b>LT</b> NAUDOJIMO INSTRUKCIJA
<b>PL</b> INSTRUKCJA UŻYCIA	<b>LV</b> LIETOŠANAS INSTRUKCIJA
<b>SR</b> УПУТСТВО ЗА УПОТРЕБУ	<b>FA</b> دستورالعمل استفاده
<b>MK</b> УПАТСТВО ЗА УПОТРЕБА	<b>AR</b> تعليمات الاستخدام
<b>AL</b> UDHËZIMET E PËRDORIMIT	



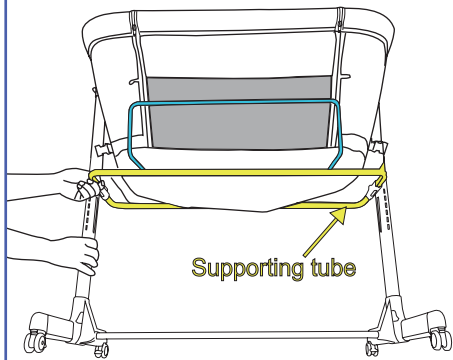
2.1



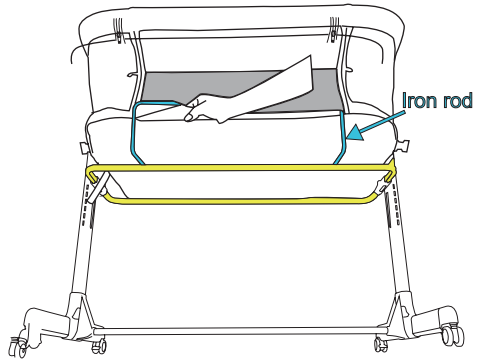
2.2



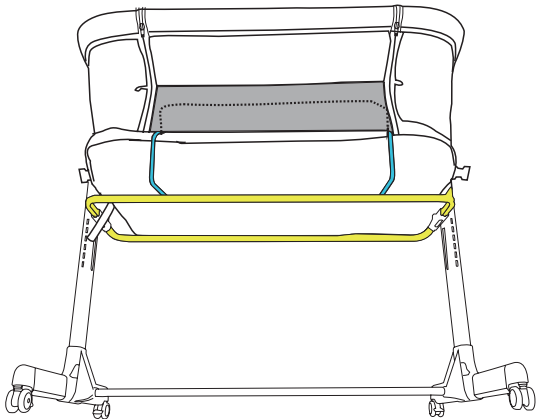
2.3



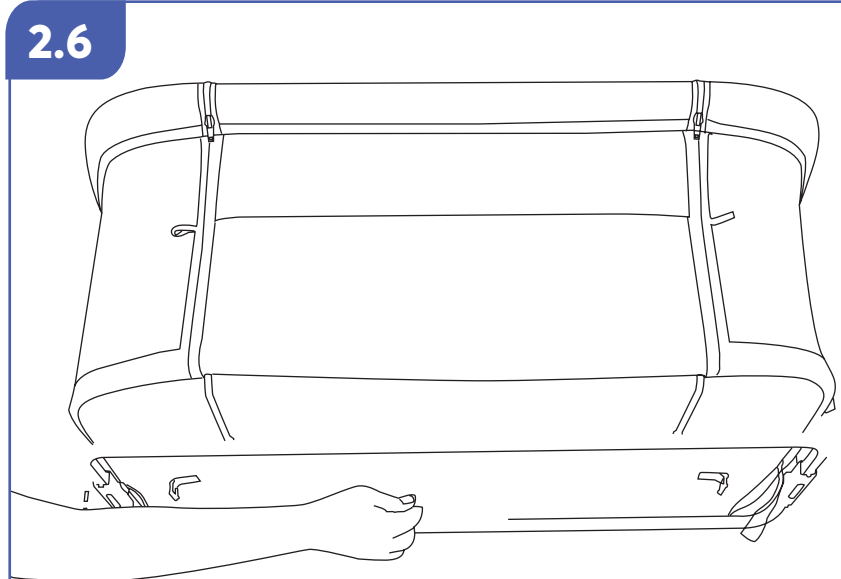
2.4



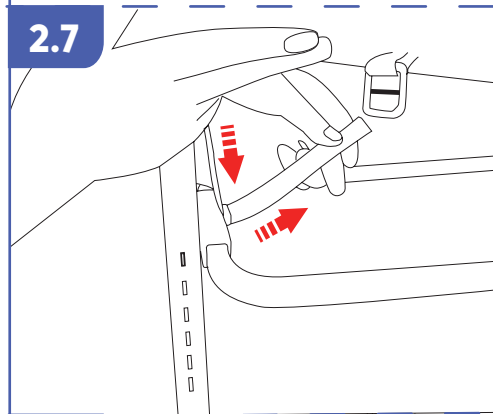
2.5



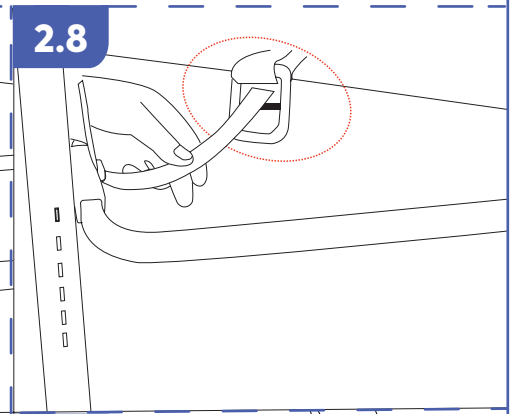
2.6



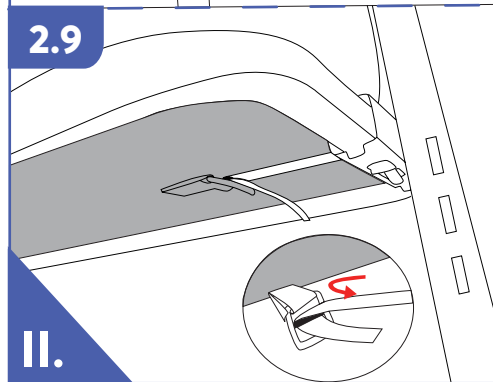
2.7



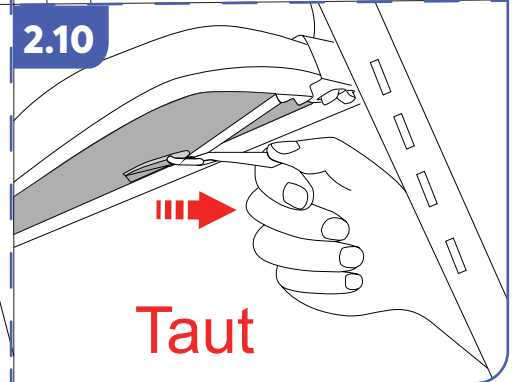
2.8



2.9



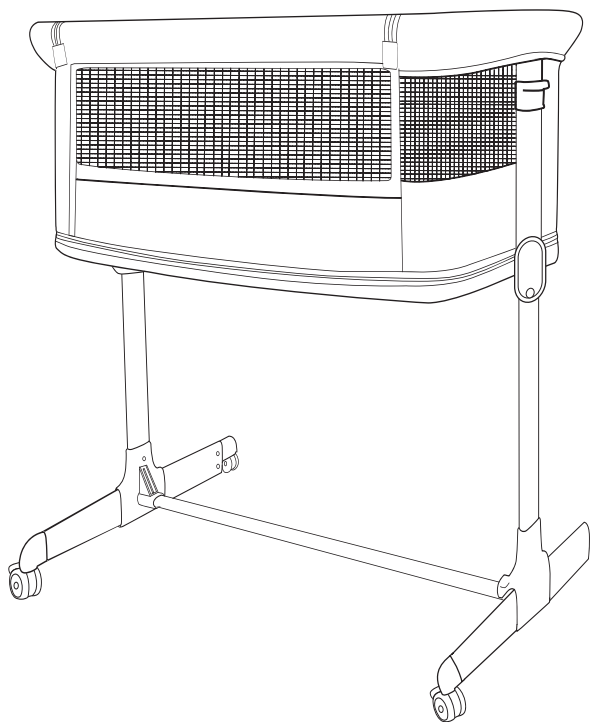
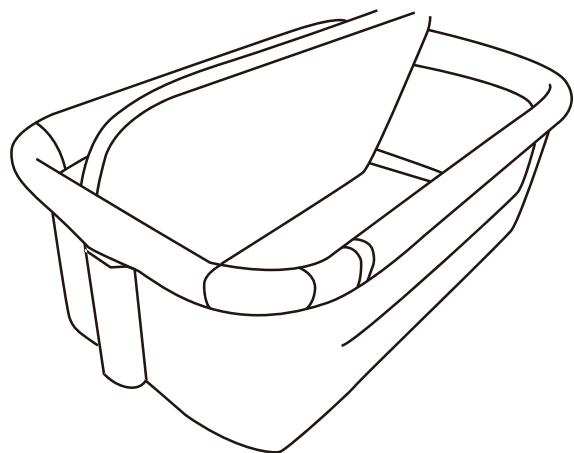
2.10



II.

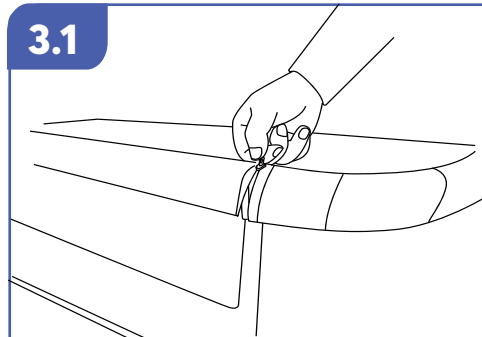
II.

2.11

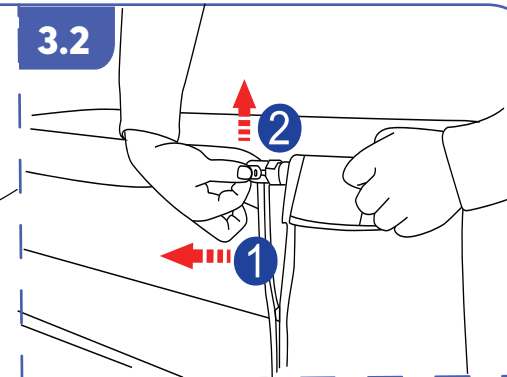


II.

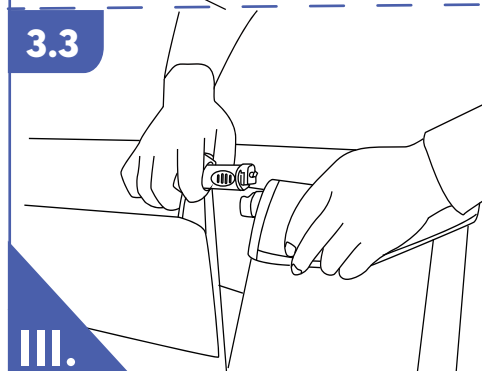
3.1



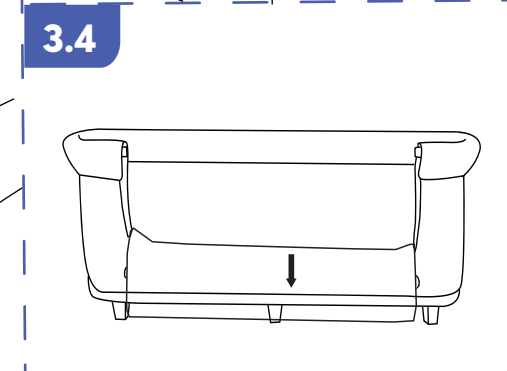
3.2



3.3

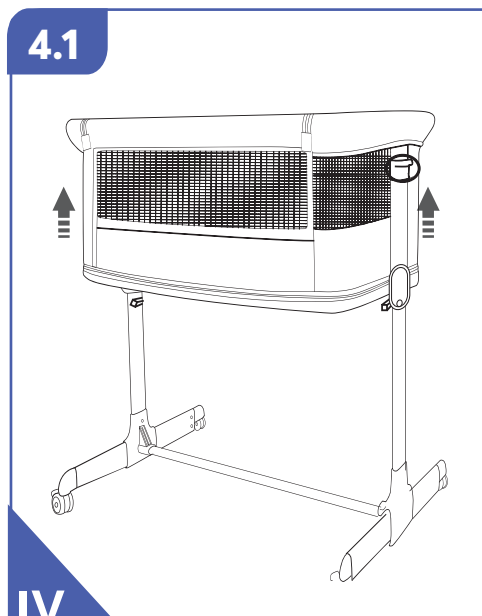


3.4

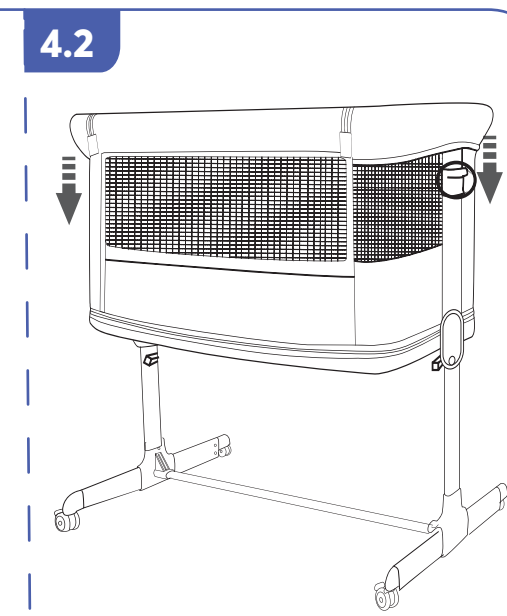


III.

4.1

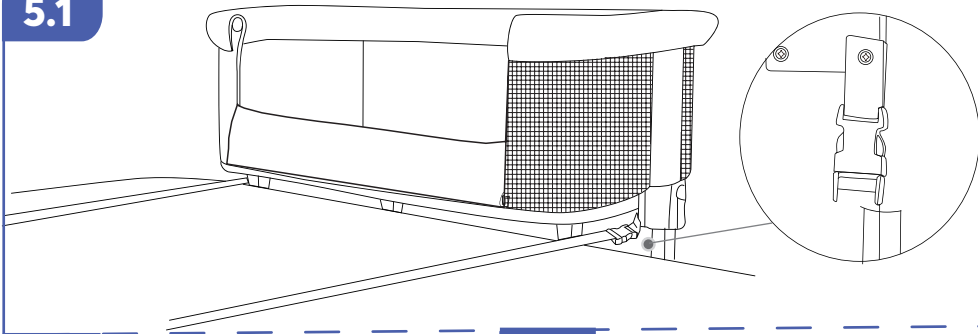


4.2

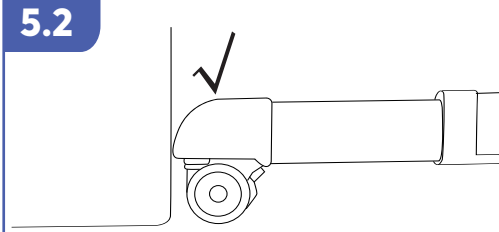


IV.

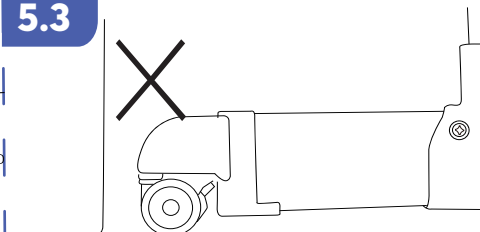
5.1



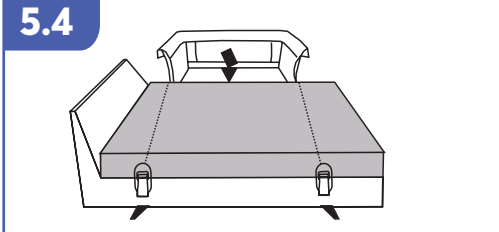
5.2



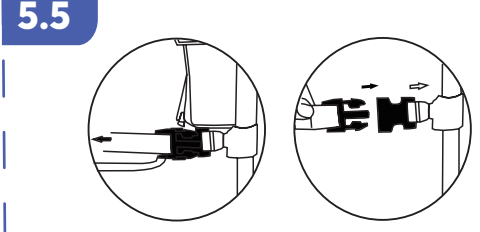
5.3



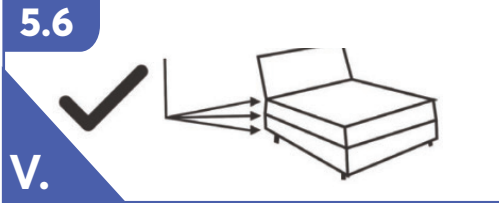
5.4



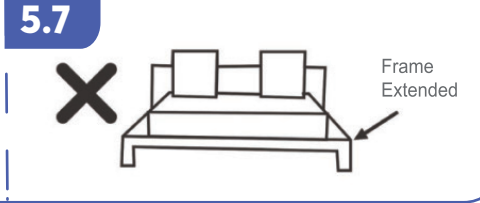
5.5



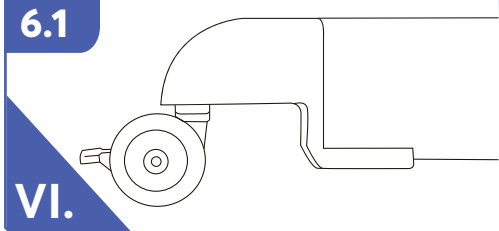
5.6



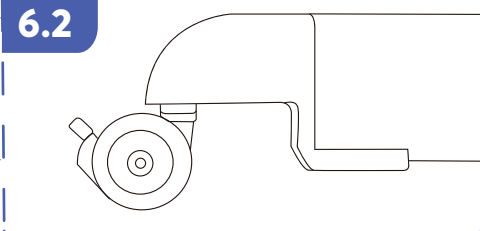
5.7



6.1



6.2



VI.

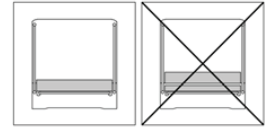
## WARNING!

1. Do not use this product without reading the instructions for use first.
2. Stop using the product as soon as the child can sit or kneel or pull itself up.
3. Placing additional items in the product may cause suffocation.
4. Do not place the product close to another product, which could present a danger of suffocation or strangulation, e.g. strings, blind / curtain cords, etc.

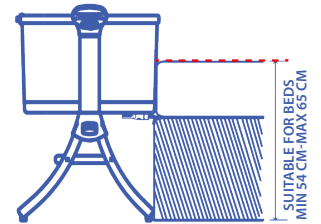


## WARNING!

1. Do not use more than one mattress in the product.
2. Rail must not be higher than the adult bed mattress.
3. To avoid the risk of your child being strangled the attachment system to the adult's bed shall always be kept away from and out of the crib.
4. Only use the mattress sold with this cot, do not add a second mattress on this one, suffocation hazards.
5. Be aware of the risk of open fire and other sources of strong heat, such as electric bar fires, etc. in the near vicinity of the cot (crib and suspended bed).



- The product should be placed on a horizontal floor.
- Young children should not be allowed to play unsupervised in the vicinity of the crib.
- The crib should be locked in the fixed position when the child is left unattended.
- All assembly fittings should always be tightened properly and that care should be taken that no screws are loose, because a child could trap parts of the body or clothing (e.g. strings, necklaces, ribbons for babies dummies, etc.) which would pose a risk of strangulation. Perform routine checks to make sure there are no loose, damages or missing parts.
- Do not use mattress for the crib different than this, provided with the product and approved by the manufacturer.
- If you use a different mattress from the sold with the crib, please ensure that it is with proper thickness and it is suitable with the crib. The thickness of the mattress chosen shall be such that the internal vertical height (surface of the top of the mattress to the upper edge of the bed sides) is at least 200 mm in the highest position of the bed base.
- If you use a different mattress from the sold with the cot, the length and width shall be such that the maximum gap between the mattress and the sides and ends does not exceed 30 mm.
- The inclination of the crib is allowed with a maximum gap of 2 positions between one foot and other.
- The child's head should always be positioned on the highest side.
- DO NOT use crib if any parts are missing, damaged or broken. Please, contact our distributors. DO NOT substitute parts.
- The mattress on the parent bed should always be higher than the side of the crib. If not, use the adjusting system to make sure the height is correct on both sides.
- Attachment system is provided with the crib. Do not use other attachment system.
- The bedside sleepers shall never be used in an inclined position.
- To prevent a suffocation hazard from entrapment, the bedside sleeper shall be properly secured to the adult bed using the attachment system. There shall never be a gap between the lower side of the bedside sleeper and the mattress of the adult bed. Check the tightness of the attachment system before each use by pulling the bedside sleeper in a direction away from adult bed.
- If there is any gap between the bedside sleeper and the adult bed DO NOT use product.
- Gaps should not be filled with pillows, blankets or other items.



## DANGER! ALWAYS COMPLETELY RAISE THE DROP SIDE WHEN NOT ATTACHED TO THE ADULT'S BED.

- Age of use : 0-6 months , Max. weight 9kg.
- The product is ready for use only when the locking mechanisms are engaged.
- Make sure they are securely fixed before use.
- When your child is unattended in the product in "Crib configuration", always make sure that the side is raised and the zippers are closed completely.
- Do not use the body of the crib without its frame.
- Assemble, unfold and fold the product ONLY by an adult!
- DO NOT allow children under 3 years of age till fully assemble the product to avoid access to small and disassembled parts!
- Any plastic cover should be removed, destroyed or kept away from children to avoid suffocation.
- Ensure the feet of the crib are fully lengthened when using as a standalone crib.
- Do not use the crib if the height of your bed is less than 54 cm or more than 65 cm above the floor .
- Use of the product is only permitted with beds and/or mattress with straight sides! Use of the product with round beds and/or mattress or water beds or inflatable mattress, etc. IS NOT PERMITTED!
- When the product is used in the "Co-Sleeping mode" (fixing to the bed) it should always be fitted to the long side of access to the bed. DO NOT fix the product to the head or bottom of the bed!

## IMPORTANT FOR YOUR CHILD'S SAFETY!

- The "Co-sleeping" function is applicable ONLY with the type of beds that meet all the conditions described above and in this paragraph! In particular the side support of the crib should always be put close to the parent's mattress and the mattress should always be aligned with the height of the side support for restraint of the crib.

- Furthermore, the crib must be firmly fixed to the structure of the parents bed or to the mattress support ( net or slats).
- When using the product at „Co-sleeping function“, to prevent a suffocation hazard from entrapment, the bedside sleeper shall be properly secured to the adult bed using the attachment system.
- There shall never be a gap between the lower side of the bedside sleeper and the mattress of the adult bed.
- Check the tightness of the attachment system before each use by pulling the bedside sleeper in a direction away from adult bed.
- If there is any gap between the bedside sleeper and the adult bed DO NOT use product.
- Check to make sure that the crib in the co-sleeping mode does not interfere with the parent’s bed.
- The mattress on the parent bed should always be higher than the side of the crib. If not, use the adjusting system to make sure the height is correct on both sides.
- Before each use, always check that there is no space between the mattress on the parent bed and the wall of the crib. Pull and tighten the attachment system until the permitted state is restored.
- Whenever the side wall is lowered, check that the parent mattress position is not changed!
- When the side wall of the crib is lowered, it should only be used when it is attached to the parent’s bed.
- Use the crib with the wall lowered only in co-sleeping mode.
- The child may get injured if the amplitude of the swing is excessive.
- Suspended cribs may pose risks to other children.
- Other children may pose additional risks (e.g. by swinging the crib excessively).
- Uneven surfaces can cause instability of the product.
- Locate suspended cribs in such a way that there is no risk of swing impact ( e.g. no risk of the child hitting the crib frame, or the crib hitting other furniture).

### I. PARTS

1. Mattress; 2. Mounting strap; 3. Top handrail; 4. Carrycot; 5. Height adjustment lever; 6. Frame leg; 7. Universal wheel; 8. Connecting element; 9. Supporting plastic clip; 10. Baseplate;

### II. ASSEMBLING THE BEDSIDE SLEEPER

- 2.1. Insert the transverse supporting tube into the plastic joint until you hear a clicking sound.
- 2.2. Insert the Bracket tube into the plastic joint until you hear a clicking sound.
- 2.3. Insert the supporting tube into the joint until you hear a clicking sound, then insert iron rod into the bassinet set.
- 2.4. Insert the iron rod into the cloth cover.
- 2.5. The iron rod which marked in dotted line should be hidden in the cover.
- 2.6-2.10 Put the ribbon passes through the square hole and fix into D-ring tightly.
- 2.11. Place the mattress then keep it flat, the bedside sleeper is fully installed.

**NOTE! THE BABY COT IS SUITABLE FOR BEDS WITH MINIMUM HEIGHT 54 CM AND MAXIMUM HEIGHT 65 CM.**

### III. HOW TO DISASSEMBLE THE DROP SIDE

- 3.1. Unzip the zipper both sides of guardrail.
- 3.2. Push the button as indicated by the arrow on the button, then upwards the top rail.
- 3.3. Remove the ends of the guardrail.
- 3.4. Take down the guardrail tube and lay it flat.

**NOTE! ALWAYS COMPLETELY RAISE THE DROP SIDE WHEN NOT ATTACHED TO THE ADULT’S BED!**

### IV. HOW TO ADJUST THE HEIGHT

#### HEIGHT SETTING

To change the crib’s height, press the height adjustment levers on both ends of the crib and set the carrycot at the desired height. There are seven crib height settings available. The crib allows setting a different height of each of its ends.

**WARNING!** The maximum permitted tilt of the crib carrycot is a difference of two setting levels. Always keep the baby’s head in the crib on the higher end of the carrycot.

**WARNING!** When adjusting the height position , make sure the angle of the inclination of the bassinet base end to end (head to feet) shall not be greater than 10°.Or the difference between left and right gears of height shall be smaller than 2°.

- 4.1. Lift up the plastic height adjust handle both sides, then it comes higher.
- 4.2. Lift up the plastic height adjust handle both sides, then pull down the nest, it comes lower as you need.

### V. CONNECTING WITH ADULT’S BED

**WARNING!** When using the bedside bed function, the drop side rail that must be removed and kept well.

**WARNING!** When fixing the bedside bed, the short guardrail edge must be closely fitted with the adult mattress to avoid any gap.

**NOTE!** When used as a bedside sleeper, the carrycot’s bottom must be parallel to the ground. There shall be no difference in height between the crib’s ends.

**NOTE!** Before each use, make sure there is no gap between the adult’s bed mattress and the side of the crib.

**WARNING!** This product can only be used with beds and/or mattresses which have straight edges. Do not use this product with any beds and/or mattresses which are rounded or with water beds.

### THE TYPE ADULT BEDS WITH WHICH THE BEDSIDE SLEEPER CAN OR CAN NOT BE USED

**WARNING!** The attachment system must ALWAYS be used in bedside sleeper mode:

- 5.4. Align the crib directly next to the parent bed and pass the Attachment System underneath the mattress of the bed and around the bed frame.
  - 5.5. Secure the Attachment System by connecting and pass the clip buckles together. Pull strap to tighten the Attachment System securely to the bed.
  - 5.6. Mattress , Box springs & Frame aligned; Acceptable adult bed conditions for co sleeping mode (bed frame in-line).
  - 5.7. Unacceptable adult bed conditions for co sleeping mode (bed frame not in-line).
- Not suitable for use next to water beds or children’s beds.

- Let the bedside crib toward to adult’s bed.
- Connect the bedside crib and adult’s bed with strap, the strap have to place between mattress and frame of adult’s bed.

**WARNING!** When using the bedside bed function, the drop side rail that must be removed and kept well.

**WARNING!** When fixing the bedside bed, the short guardrail edge must be closely fitted with the adult mattress to avoid any gap. The bedside sleeper can be used for aligned adult bed only. Meanwhile the distance from the lowest bottom side of the aligned adult bed(the drop side) to the ground should be more than 20cm.

- 5.2. Make sure the foot reach the bed side board.
- 5.3. Not suitable for use next to water beds or children’s beds.

### BEDSIDE SLEEPER FUNCTION

5.1-5.3 To use the product as a bedside sleeper, it needs to be converted. The procedure:

1. Undo the zippers on both ends of the folding side .
2. Slide the locks to release the railing retainer.
3. Lower the folding side of the carrycot.
4. Put the crib to the side of the adult’s bed and set the crib’s height so that the top of the bed’s mattress is level with - or no more than 2 cm above - the top edge of the folding side.
5. Pass the crib’s mounting straps under the bed’s mattress and hook the ends over the adult’s bed frame on the opposite side of the bed. The ends must be upright between the bed frame and the mattress.
6. Secure the mounting straps to the crib using the clasps.
7. Tighten the mounting straps and make sure this keeps the crib stable and firmly attached to the adult’s bed.

### VI. HOW TO USE THE BRAKE

- 6.1. To lock the crib wheels, press down the brake tabs on each of the wheels.
- 6.2. To release the wheels, lift the brake tabs.

### VII. CLEANING AND MAINTENANCE

- Clean the metal and plastic parts with a damp cloth and a mild detergent.
- To clean use soapy water or soft cleaning detergent. Handwash the bag with soapy water. Do not iron. Do not bleach.
- DO NOT place the cot near heating devices because it will damage the plastic and fabrics.
- DO NOT use crib if any parts are missing, damaged or broken. Please, contact our distributors. DO NOT substitute parts.

Materials used: Plastic, textile, metal

**PRODUCED FOR KIKA GROUP LTD., VASIL LEVSKI 121, PLOVDIV, BULGARIA. MADE IN CHINA.  
COMPLIES WITH EN 1130:2019+AC:2020; EN 16890:2017+A1:2021**

# ES ¡IMPORTANTE! ¡GUARDAR PARA FUTURAS CONSULTAS! ¡LEA CUIDADOSAMENTE!

# ES ¡IMPORTANTE! ¡GUARDAR PARA FUTURAS CONSULTAS! ¡LEA CUIDADOSAMENTE!

## ¡ADVERTENCIA!

1. No utilice este producto sin antes leer las instrucciones de uso.
2. Deje de usar el producto tan pronto como el niño pueda sentarse, arrodillarse o levantarse.
3. La colocación de artículos adicionales en el producto puede causar asfixia.
4. No coloque el producto cerca de otro producto, lo que podría presentar un peligro de asfixia o estrangulamiento, p. cuerdas, cordones de persianas/cortinas, etc.

## ¡ADVERTENCIA!

1. No utilice más de un colchón en el producto.
2. La barandilla no debe ser más alta que el colchón de la cama para adultos.
3. Para evitar el riesgo de que su hijo sea estrangulado, el sistema de fijación a la cama del adulto debe mantenerse siempre alejado y fuera de la cuna.
4. Utilice únicamente el colchón que se vende con esta cuna, no añada un segundo colchón sobre este, existe el riesgo de asfixia.
5. Tenga en cuenta el riesgo de fuego abierto y otras fuentes de calor intenso, como barras de fuego eléctricas, etc., en las inmediaciones de la cuna (cuna y cama suspendida).

## EL PRODUCTO DEBE COLOCARSE EN UN SUELO HORIZONTAL.

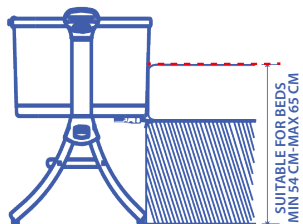
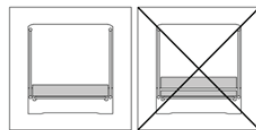
- No se debe permitir que los niños pequeños jueguen sin supervisión cerca de la cuna.
- La cuna debe bloquearse en la posición fija cuando se deja al niño desatendido.
- Todos los accesorios de montaje deben estar siempre bien apretados y se debe tener cuidado de que ningún tornillo esté suelto, ya que un niño podría atrapar partes del cuerpo o de la ropa (por ejemplo, cuerdas, collares, cintas para chupetes de bebés, etc.) estrangulación. Realice controles de rutina para asegurarse de que no haya piezas sueltas, dañadas o faltantes.
- No utilice un colchón para la cuna diferente a este, provisto con el producto y aprobado por el fabricante.
- Si utiliza un colchón diferente al que se vende con la cuna, asegúrese de que tenga el grosor adecuado y que sea adecuado para la cuna. El grosor del colchón elegido debe ser tal que la altura vertical interna (superficie de la parte superior del colchón al borde superior de los lados de la cama) sea de al menos 200 mm en la posición más alta de la base de la cama.
- Si utiliza un colchón diferente al vendido con la cuna, el largo y el ancho deben ser tales que el espacio máximo entre el colchón y los lados y los extremos no supere los 30 mm.
- Se permite la inclinación de la cuna con un espacio máximo de 2 posiciones entre un pie y otro.
- La cabeza del niño siempre debe colocarse en el lado más alto.
- NO use la cuna si falta alguna pieza, está dañada o rota. Por favor, contacte con nuestros distribuidores. DO NOT sustituya las piezas.
- El colchón de la cama de los padres siempre debe ser más alto que el costado de la cuna. De lo contrario, utilice el sistema de ajuste para asegurarse de que la altura sea correcta en ambos lados.
- El sistema de fijación se proporciona con la cuna. No utilice otro sistema de fijación.
- Los durmientes de cabecera nunca se deben utilizar en una posición inclinada.
- Para evitar el peligro de asfixia por atrapamiento, la cama junto a la cama debe estar debidamente asegurada a la cama para adultos usando el sistema de sujeción. Nunca debe haber un espacio entre el lado inferior de la cama junto a la cama y el colchón de la cama para adultos. Verifique el ajuste del sistema de sujeción antes de cada uso tirando de la cama junto a la cama en dirección opuesta a la cama del adulto.
- Si hay algún espacio entre la cama junto a la cama y la cama para adultos, NO use el producto.
- Los huecos no deben llenarse con almohadas, mantas u otros artículos.

## ¡PELIGRO! Levante siempre completamente la baranda móvil cuando no esté unida a la cama del adulto.

- Edad de uso : 0-6 meses , Max. peso 9 kg.
- El producto está listo para usar solo cuando los mecanismos de bloqueo están activados.
- Asegúrese de que estén bien fijados antes de usarlos.
- Cuando su hijo esté desatendido en el producto en "Configuración de cuna", asegúrese siempre de que el costado esté levantado y las cremalleras estén completamente cerradas.
- No utilice el cuerpo de la cuna sin su marco.
- ¡Monte, despliegue y pliegue el producto ÚNICAMENTE por un adulto!
- ¡NO permita que los niños menores de 3 años ensamblen completamente el producto para evitar el acceso a piezas pequeñas y desmontadas!
- Cualquier cubierta de plástico debe quitarse, destruirse o mantenerse fuera del alcance de los niños para evitar la asfixia.
- Asegúrese de que los pies de la cuna estén completamente extendidos cuando la use como una cuna independiente.
- No utilice la cuna si la altura de su cama es inferior a 54 cm o superior a 65 cm del suelo.
- ¡El uso del producto solo está permitido con camas y/o colchones con lados rectos! ¡NO ESTÁ PERMITIDO el uso del producto con camas redondas y/o colchón o camas de agua o colchón hinchable, etc.!
- Cuando el producto se utiliza en el "modo de colecho" (fijación a la cama) siempre debe colocarse en el lado largo de acceso a la cama. ¡NO fije el producto a la cabecera o a la base de la cama!

## ¡IMPORTANTE PARA LA SEGURIDAD DE SU HIJO!

- ¡La función "Co-dormir" es aplicable SÓLO con el tipo de camas que cumplen todas las condiciones descritas anteriormente y en este párrafo! En particular, el



soporte lateral de la cuna siempre debe colocarse cerca del colchón de los padres y el colchón siempre debe estar alineado con la altura del soporte lateral para la sujeción de la cuna.

- Además, la cuna debe estar firmemente fijada a la estructura de la cama de los padres o al somier (red o listones).
- Cuando se utiliza el producto en la "función de colecho", para evitar el riesgo de asfixia por atrapamiento, la cama junto a la cama debe estar debidamente asegurada a la cama del adulto mediante el sistema de fijación.
- Nunca deberá haber un espacio entre el lado inferior de la cama junto a la cama y el colchón de la cama para adultos.
- Verifique el ajuste del sistema de sujeción antes de cada uso tirando de la cama junto a la cama en dirección opuesta a la cama del adulto.
- Si hay algún espacio entre la cama junto a la cama y la cama para adultos, NO use el producto.
- Verifique que la cuna en el modo de colecho no interfiera con la cama de los padres.
- El colchón de la cama de los padres siempre debe ser más alto que el costado de la cuna. De lo contrario, utilice el sistema de ajuste para asegurarse de que la altura sea correcta en ambos lados.
- Antes de cada uso, compruebe siempre que no haya espacio entre el colchón de la cama de los padres y la pared de la cuna. Tire y apriete el sistema de fijación hasta que se restablezca el estado permitido.
- Siempre que baje la pared lateral, compruebe que la posición del colchón de los padres no cambie.
- Cuando se baja la pared lateral de la cuna, solo se debe usar cuando está unida a la cama de los padres.
- Utilice la cuna con la pared bajada sólo en modo colecho.
- El niño puede lesionarse si la amplitud del columpio es excesiva.
- Las cunas suspendidas pueden presentar riesgos para otros niños.
- Otros niños pueden presentar riesgos adicionales (por ejemplo, al balancear la cuna en exceso).
- Las superficies irregulares pueden causar inestabilidad en el producto.
- Ubique las cunas suspendidas de tal manera que no haya riesgo de impacto del columpio (por ejemplo, sin riesgo de que el niño golpee el marco de la cuna o que la cuna golpee otros muebles).

## I. PARTES

1. Colchón; 2. Correa de montaje; 3. Pasamanos superior; 4. Capazo; 5. Palanca de ajuste de altura; 6. Pata del marco; 7. Rueda universal; 8. Elemento de conexión; 9. Clip de plástico de soporte; 10. Placa base;

## II. MONTAJE DE LA CAMA DE CABECERA

- 2.1. Inserte el tubo de soporte transversal en la junta de plástico hasta que escuche un clic.
- 2.2. Inserte el tubo del soporte en la junta de plástico hasta que escuche un clic.
- 2.3. Inserte el tubo de soporte en la articulación hasta que escuche un clic, luego inserte la barra de hierro en el juego de moisés.
- 2.4. Inserte la barra de hierro en la cubierta de tela.
- 2.5. La barra de hierro marcada en la línea de puntos debe ocultarse en la cubierta.
- 2.6-2.10 Pase la cinta por el orificio cuadrado y fjela firmemente en el anillo en D.
- 2.11. Coloque el colchón y luego manténgalo plano, la cama junto a la cama está completamente instalada.

**¡NOTA! La cuna es apta para camas con una altura mínima de 54 cm y una altura máxima de 65 cm.**

## III. CÓMO DESMONTAR LA BARANDA MÓVIL

- 3.1. Abra la cremallera a ambos lados de la baranda.
- 3.2. Presione el botón como lo indica la flecha en el botón, luego hacia arriba del riel superior.
- 3.3. Retire los extremos de la barandilla.
- 3.4. Retire el tubo de la baranda y colóquelo plano.

**¡NOTA! ¡Elevé siempre completamente la baranda móvil cuando no esté unida a la cama del adulto!**

## IV. CÓMO AJUSTAR LA ALTURA

### AJUSTE DE ALTURA

Para cambiar la altura de la cuna, presione las palancas de ajuste de altura en ambos extremos de la cuna y ajuste el capazo a la altura deseada. Hay siete configuraciones de altura de cuna disponibles. El pesebre permite fijar una altura diferente de cada uno de sus extremos.

**¡ADVERTENCIA!** La inclinación máxima permitida del capazo de la cuna es una diferencia de dos niveles de ajuste. Mantenga siempre la cabeza del bebé en la cuna en el extremo más alto del capazo.

**¡ADVERTENCIA!** Al ajustar la posición de altura, asegúrese de que el ángulo de inclinación de la base del moisés de extremo a extremo (de la cabeza a los pies) no sea superior a 10°. Or la diferencia entre los engranajes de altura izquierdo y derecho debe ser inferior a 2°.

- 4.1. Levante la manija de ajuste de altura de plástico en ambos lados, luego sube más.
- 4.2. Levante la manija de ajuste de altura de plástico en ambos lados, luego baje el nido, baja según lo necesite.

## V. CONEXIÓN CON CAMA DE ADULTO

**¡ADVERTENCIA!** Cuando se utiliza la función de cama junto a la cama, la barandilla lateral abatible debe retirarse y mantenerse en buen estado.

**¡ADVERTENCIA!** Al fijar la cama junto a la cama, el borde corto de la barandilla debe quedar bien ajustado con el colchón para adultos para evitar cualquier espacio.

**¡NOTA!** Cuando se utiliza como cama junto a la cama, el fondo del capazo debe estar paralelo al suelo. No habrá diferencia de altura entre los extremos de la cuna.

**¡NOTA!** Antes de cada uso, asegúrese de que no haya espacio entre el colchón de la cama del adulto y el costado de la cama.

**¡ADVERTENCIA!** Este producto solo se puede utilizar con camas y/o colchones que tengan bordes rectos. No utilice este producto con camas y/o colchones que sean redondos o con camas de agua.

**EL TIPO DE CAMAS PARA ADULTOS CON LAS QUE SE PUEDE O NO UTILIZAR LA CAMA DE NOCHE**

**¡ADVERTENCIA!** El sistema de fijación debe utilizarse SIEMPRE en modo cama junto a la cama:

- 5.4. Alinee la cuna directamente al lado de la cama de los padres y pase el sistema de fijación debajo del colchón de la cama y alrededor del marco de la cama.
- 5.5. Asegure el Sistema de Sujeción conectando y pasando las hebillas del clip juntas. Tire de la correa para apretar el sistema de fijación de forma segura a la cama.
- 5.6. Colchón, somier y armazón alineados; Condiciones de cama para adultos aceptables para el modo de dormir compartido (armazón de cama en línea).
- 5.7. Condiciones inaceptables de la cama para adultos para el modo de dormir compartido (el armazón de la cama no está en línea). No apto para su uso junto a camas de agua o camas infantiles.

- Deje que la cuna junto a la cama se acerque a la cama del adulto.
- Conecte la cuna junto a la cama y la cama del adulto con una correa, la correa debe colocarse entre el colchón y el marco de la cama del adulto.

**¡ADVERTENCIA!** Cuando se utiliza la función de cama junto a la cama, la barandilla lateral abatible debe retirarse y mantenerse en buen estado.

**¡ADVERTENCIA!** Al fijar la cama junto a la cama, el borde corto de la barandilla debe quedar bien ajustado con el colchón para adultos para evitar cualquier espacio. La cama junto a la cama solo se puede usar para una cama de adulto alineada. Mientras tanto, la distancia desde el lado inferior más bajo de la cama para adultos alineada (el lado abatible) hasta el suelo debe ser de más de 20 cm.

- 5.2 Asegúrese de que el pie alcance la tabla lateral de la cama.
- 5.3 No apto para su uso junto a camas de agua o camas infantiles.

## FUNCIÓN DE CAMA JUNTO A LA CAMA

5.1-5.3 Para utilizar el producto como cama junto a la cama, es necesario convertirlo. El procedimiento:

1. Desabroche las cremalleras en ambos extremos del lado plegable.
2. Deslice las trabas para liberar el retenedor de la banda.
3. Baje el lado plegable del capazo.
4. Coloque la cuna al lado de la cama del adulto y ajuste la altura de la cuna de modo que la parte superior del colchón de la cama esté al mismo nivel, o no más de 2 cm por encima, del borde superior del lado plegable.
5. Pase las correas de montaje de la cuna por debajo del colchón de la cama y enganche los extremos sobre el marco de la cama del adulto en el lado opuesto de la cama. Los extremos deben estar en posición vertical entre el marco de la cama y el colchón.
6. Asegure las correas de montaje a la cuna usando los broches.
7. Apriete las correas de montaje y asegúrese de que esto mantenga la cuna estable y firmemente sujeta a la cama del adulto.

## VI. CÓMO USAR EL FRENO

- 6.1. Para bloquear las ruedas de la cuna, presione hacia abajo las lengüetas de freno de cada una de las ruedas.
- 6.2. Para soltar las ruedas, levante las lengüetas del freno.

## VIII. LIMPIEZA Y MANTENIMIENTO

- Limpie las partes de metal y plástico con un paño húmedo y un detergente suave.
- Para limpiar utilice agua jabonosa o detergente suave. Lavar a mano la bolsa con agua jabonosa. No planchar. No usa blanqueador.
- NO coloque la cuna cerca de dispositivos de calefacción porque dañará el plástico y las telas.
- NO use la cuna si falta alguna pieza, está dañada o rota. Por favor, contacte con nuestros distribuidores. DO NO sustituya las piezas.

Materiales utilizados: Plástico, textil, metal

**Producido para Kika Group Ltd., Vasil Levski 121, Plovdiv, Bulgaria. Hecho en china. Cumple con EN 1130:2019+AC:2020; EN 16890:2017+A1:2021**

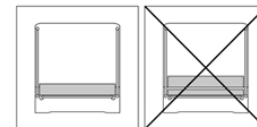
## ПРЕДУПРЕЖДЕНИЕ!

1. Не използвайте този продукт, без първо да прочетете инструкциите за употреба.
2. Спрете да използвате продукта веднага щом детето може да седи или да коленичи, или да се изправя нагоре.
3. Поставянето на допълнителни елементи в продукта може да причини задушаване.
4. Не поставяйте продукта близо до друг продукт, който може да представлява опасност от задушаване или удушаване, напр. струни, шнуруве за щори/завеси и др.

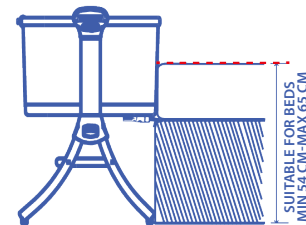


## ПРЕДУПРЕЖДЕНИЕ!

1. Не използвайте повече от един матрак в продукта.
2. Парапетът не трябва да е по-висок от матрака на леглото за възрастни.
3. За да се избегне рискът вашето дете да бъде удушено, системата за закрепване към леглото на възрастния трябва винаги да се държи далеч от детското легло.
4. Използвайте само матрака, който се продава с това креватче, не добавяйте втори матрак към този, има опасност от задушаване.
5. Имайте предвид риска от открит огън и други източници на силна топлина, като електрически огън и др. в близост до детското легло (креватче и окачено легло).



- Продуктът трябва да бъде поставен на хоризонтален под.
- На малките деца не трябва да се позволява да играят без надзор в близост до леглото.
- Леглото трябва да се заключи в неподвижното положение, когато детето е оставено без надзор.
- Всички устройства за сплювяване трябва винаги да са удобно регулирани и винтовете не трябва да са разхлабени, тъй като детето може да се нарани или да се закачи за дрехи или аксесоари (дантели, колиета, верижки за бебешки зальгалки и т.н...), които биха могли да предполагат опасност от удушаване. Извършвайте рутинни проверки, за да сте сигурни, че няма разхлабени, повреди или липсващи части.
- Не използвайте матрак за креватчето, различен от този, предоставен с продукта и одобрен от производителя.
- Ако използвате матрак, различен от продавания с креватчето, моля, уверете се, че е подходяща дебелина и е подходяща за креватчето. Дебелината на избрания матрак трябва да бъде така че вътрешната вертикална височина (повърхността на горната част на матрака до горния ръб на страни на леглото) е най-малко 200 mm в най-високата позиция на основата на леглото.
- Ако използвате различен матрак от продавания с кошарата, дължината и ширината трябва да са такива, че максималното разстояние между матрака и страните и краищата не надвишава 30 mm.
- Наклонът на креватчето е разрешен с максимално разстояние от 2 позиции между единия и другия крак.
- Главата на детето винаги трябва да е разположена най-високо.
- НЕ използвайте креватчето, ако някои части липсват, са повредени или счупени. Моля, свържете се с нашите дистрибутори. НЕ замествайте части.
- НЕ използвайте леглото със странично отваряне, ако някои части липсват, повредени са или са счупени. Свържете се с производителя за резервни части и инструкции, ако е необходимо. НЕ замествайте части.
- Височината от пода на леглото на възрастен, за което е подходящо леглото със странично отваряне.
- Системата за закрепване е предоставена с креватчето. Не използвайте друга система за закрепване.
- Леглата със странично отваряне никога не трябва да се използват в наклонено положение.
- За да се предотврати опасността от задушаване в следствие заклещване, леглото със странично отваряне трябва да бъде правилно закрепено към леглото за възрастни, като се използва системата за закрепване.
- Никога не трябва да има пролука между долната страна на леглото със странично отваряне и матрака на леглото за възрастни.
- Проверявайте стегнатостта на системата за закрепване преди всяка употреба, като издърпвате леглото със странично отваряне в посока далеч от леглото за възрастни.
- Ако има някаква пролука между леглото със странично отваряне и леглото за възрастни, НЕ използвайте продукта.
- Пролуките не трябва да са запълват с възглавници, одеяла или други предмети.



## ОПАСНОСТ! ВИНАГИ ПОВДИГАЙТЕ НАПЪЛНО ПАДАЩАТА СТРАНИЦА, КОГАТО НЕ Е ПРИКРЕПЕНА КЪМ ЛЕГЛОТО НА ВЪЗРАСТНИЯ.

- Възраст: 0-6 месеца, макс. тегло 9 кг.
- Продуктът е готов за употреба само при задействане на заключващите механизми.
- Уверете се, че са добре фиксирани преди употреба.
- Когато детето ви е без надзор в продукта в „Конфигурация на креватче“, винаги се уверете, че страната е повдигната и циповете са напълно затворени.
- Не използвайте тялото на кошарата без рамката.
- Сплювяването, разгъването и сгъването на продукта САМО от възрастен!
- НЕ допускайте деца под 3-годишна възраст до пълното сплювяване на продукта, за да избегнете достъп до малки и разглобени части!
- Всички пластмасови капаци трябва да бъдат премахнати, унищожени или държани далеч от деца, за да се избегне задушаване.
- Уверете се, че краката на креватчето са напълно удължени, когато го използвате като самостоятелно креватче.
- Не използвайте креватчето, ако височината на леглото ви е по-малка от 54cm или повече от 65 cm над пода.
- Използването на продукта е разрешено само с легла и/или матраци с прави страни! Използването на продукт с кръгли легла и/или матрак или водни легла или надуваем матрак и т.н. НЕ Е РАЗРЕШЕН!
- Когато продуктът се използва в режим „Тандемно спане“ (фиксиран към леглото), той винаги трябва да бъде монтиран към дългата страна на



достъпа до леглото. НЕ фиксирайте продукта към главата или долната част на легло!

## ВАЖНО ЗА БЕЗОПАСНОСТТА НА ВАШЕТО ДЕТЕ!

- Функцията „Тандемно спане“ е приложима САМО при вида на легла, отговарящи на всички условия, описани по-горе и в този параграф! По-специално отстрани опората на креватчето винаги трябва да се поставя близо до матрака на родителя и матрактъ, трябва винаги да е подравнен с височината на страничната опора за задържане на креватчето.
- Освен това креватчето трябва да бъде здраво закрепено към конструкцията на леглото на родителите или към опората на матрака (мрежа или летви).
- Никога не трябва да има празнина между долната страна на креватчето и матрака на леглото за възрастни.
- Проверявайте стегнатостта на системата за закрепване преди всяка употреба, като издърпате креватчето в посока далеч от леглото за възрастни.
- Ако има някаква празнина между нощното легло и леглото за възрастни, НЕ използвайте продукта.
- Проверете дали креватчето в режим на съвместен сън не пречи на леглото на родителя.
- Матрактъ на родителското легло винаги трябва да е по-висок от страната на креватчето. Ако не, използвайте системата за регулиране, за да се уверите, че височината е правилна и от двете страни.
- Преди всяка употреба винаги проверявайте дали няма място между матрака на родителското легло и стената на креватчето. Издърпайте и затегнете системата за закрепване, докато се възстанови позволеното състояние.
- Всеки път, когато страничната стена е спусната, проверете дали позицията на родителския матрак не е променена!
- Когато страничната стена на кошарата е спусната, тя трябва да се използва само когато е прикрепена към леглото на родителя.
- Използвайте креватчето със спусната стена само в режим на съвместен сън.
- Детето може да се нарани, ако амплитудата на люлеенето е прекомерна.
- Неравните повърхности могат да причинят нестабилност на продукта.
- Разположете окачените креватчета по такъв начин, че да няма риск от удар с люлка (напр. няма риск детето да се удари в рамката на креватчето или креватчето да се удари в други мебели).

## I. ЧАСТИ

1. Матрак; 2. Монтажна лента; 3. Горен парапет; 4. Кошче; 5. Лост за регулиране на височината; 6. Крак на рамката; 7. Универсално колело; 8. Свързващ елемент; 9. Поддържаща пластмасова скоба; 10. Основна плоча;

## II. СГЛОБЯВАНЕ НА КОШАРАТА

1. Поставете напречната носеща тръба в пластмасовото съединение, докато чуете щракване.
2. Поставете тръбата на скобата в пластмасовото съединение, докато чуете щракване.
3. Поставете поддържащата тръба във връзката, докато чуете щракване, след което поставете железен прът в коша.
- 2.4. Поставете железния прът в платненото покритие.
- 2.5. Желязният прът, маркиран с пунктирна линия, трябва да бъде скрит в капака.
- 2.6-2.10 Поставете лентата, която преминава през квадратния отвор и фиксирайте плътно в D-пръстена.
- 2.11 Поставете матрака хоризонтално и кошарата е напълно монтирана.

**ЗАБЕЛЕЖКА! БЕБЕШКАТА КОШАРА Е ПОДХОДЯЩА ЗА ЛЕГЛА С МИНИМАЛНА ВИСОЧИНА 54 CM И МАКСИМАЛНА ВИСОЧИНА 65 CM.**

## III. КАК ДА РАЗГЛОБИТЕ ПАДАЩАТА СТРАНИЦА

- 3.1. Разкопчайте ципа от двете страни на парапета.
- 3.2. Натиснете бутона по посока на стрелката върху него и след това нагоре по горната релса.
- 3.3. Отстранете краищата на предпазния парапет.
- 3.4. Свалете тръбата на предпазния парапет и я поставете хоризонтално.

**ЗАБЕЛЕЖКА! ВИНАГИ ПОВДИГАЙТЕ НАПЪЛНО ПАДАЩАТА СТРАНА, КОГАТО НЕ Е ПРИКРЕПЕНА КЪМ ЛЕГЛОТО НА ВЪЗРАСТЕН!**

## IV. КАК ДА РЕГУЛИРАТЕ ВИСОЧИНАТА

НАСТРОЙКА НА ВИСОЧИНАТА

За да промените височината на креватчето, натиснете лостовете за регулиране на височината в двата края на креватчето и поставете коша на желаната височина. Налични са седем настройки за височина на кошарата. Кошарата позволява задаване на различна височина на всеки от нейните краища.

**ПРЕДУПРЕЖДЕНИЕ!** Максимално допустимият наклон на коша е разлика от две нива на настройка. Винаги дръжте главата на бебето в креватчето в горния край на коша.

**ПРЕДУПРЕЖДЕНИЕ!** Когато регулирате позицията на височина, уверете се, че ъгълът на наклона на основата на коша от край до край (глава към крака) не трябва да е по-голям от 10°. Разликата между лявата и дясната предавка във височината трябва да бъде по-малка от 2°.

- 4.1. Повдигнете пластмасовата дръжка за регулиране на височината от двете страни, при което тя ще се издигне по-нависоко.
- 4.2. Повдигнете пластмасовата дръжка за регулиране на височината от двете страни, след това дръпнете надолу гнездото, като може да го спуснете по-ниско, колкото ви е необходимо.

## V. СВЪРЗВАНЕ С ЛЕГЛОТО НА ВЪЗРАСТЕН

**ПРЕДУПРЕЖДЕНИЕ!** Когато използвате функцията на нощно легло, падащата странична релса трябва да се отстрани и да се поддържа добре.

**ПРЕДУПРЕЖДЕНИЕ!** Когато фиксирате креватчето, късият ръб на предпазния парапет трябва да е плътно прилепнал към матрака за възрастни, за да се избегне всякаква празнина между двете.

5.2. Уверете се, че стъпалото достига страничната дъска на леглото.

5.3. Не е подходящ за използване до водни легла или детски легла.

## ФУНКЦИЯ „ТАНДЕМНО СПАНЕ“

5.1-5.3 За да използвате продукта като креватче, той трябва да бъде преустроен. Процедурата е следната:

1. Разкопчайте циповете от двата края на сгъваемата страна.
2. Плъзнете ключалките, за да освободите фиксатора на парапета.
3. Спуснете сгъваемата страна на коша.
4. Поставете креватчето отстрани на леглото на възрастен и задайте височината на креватчето така, че горната част на матрака на леглото да е на едно ниво с - или не повече от 2 см над горния ръб на сгъваемата страна.
5. Прекарайте ремъците за закрепване на креватчето под матрака на леглото и закачете краищата върху рамката на леглото на възрастния от противоположната страна на леглото. Краищата трябва да са изправени между рамката на леглото и матрака.
6. Закрепете монтажните ремъци към креватчето с помощта на скобите.
7. Затегнете монтажните ленти и се уверете, че това държи креватчето стабилно и здраво закрепен към леглото на възрастния.

**ЗАБЕЛЕЖКА!** Когато се използва като креватче, дъното на коша трябва да е успоредно на земята. Не трябва да има разлика във височината между краищата на креватчето.

**ЗАБЕЛЕЖКА!** Преди всяка употреба се уверете, че няма празнина между леглото на възрастния матрак и странична част на креватчето.

**ПРЕДУПРЕЖДЕНИЕ!** Този продукт може да се използва само с легла и/или матраци с прави ръбове. Не използвайте този продукт с легла и/или матраци, които са заблени или с водни легла.

## ТИП ЛЕГЛА ЗА ВЪЗРАСТНИ, С КОИТО КОШАРАТА МОЖЕ ИЛИ НЕ МОЖЕ ДА СЕ ИЗПОЛЗВА

**ПРЕДУПРЕЖДЕНИЕ!** Системата за закрепване трябва ВИНАГИ да се използва в режим за спане:

- 5.4. Подравнете креватчето директно до родителското легло и прекарайте системата за закрепване под матрака на леглото и около рамката на леглото.
- 5.5. Закрепете системата за закрепване, като свържете и прекарате катарамите на щипките заедно. Издърпайте ремъка, за да затегнете здраво системата за закрепване към леглото.
- 5.6. Матрак, пружини и подравнена рамка; Приемливи условия за легло за възрастни за режим на съвместен сън (рамка на леглото в линия).
- 5.7. Неприемливи условия на легло за възрастни за режим на съвместен сън (рамката на леглото не е в линия).

Не е подходящ за използване до водни легла или детски легла.

- Оставете леглото до леглото на възрастен.
- Свържете креватчето и леглото на възрастен с каишка, каишката трябва да се постави между матрака и рамката на леглото за възрастни.

**ПРЕДУПРЕЖДЕНИЕ!** Когато използвате функцията за спане, падащата странична релса трябва да се отстрани и да се поддържа добре.

**ПРЕДУПРЕЖДЕНИЕ!** Когато фиксирате креватчето, късият ръб на предпазния парапет трябва да е плътно прилепнал към матрака за възрастни, за да се избегне всякаква празнина. Креватчето може да се използва само за подравнено легло за възрастни. Междувременно разстоянието от най-ниската долна страна на подравненото легло за възрастни (падащата страна) до земята трябва да бъде повече от 20 см.

## VI. КАК ДА ИЗПОЛЗВАТЕ СПИРАЧКАТА

6.1. За да заключите колелцата на креватчето, натиснете спирачните зъбчета на всяко от колелцата.

6.2. За да освободите колелцата, повдигнете езичетата на спирачката.

## VII. ПОЧИСТВАНЕ И ПОДДРЪЖКА

- Почистете металните и пластмасовите части с влажна кърпа и мек почистващ препарат.
- За почистване използвайте сапунена вода или мек почистващ препарат. Измиете чантата на ръка със сапунена вода. Не гладя. Не се избелва.
- Не поставяйте кошарата близо до отоплителни уреди, защото ще повредите пластмасата и тъканите.
- НЕ използвайте креватчето, ако някои части липсват, са повредени или счупени. Моля, свържете се с нашите дистрибутори. НЕ замествайте части.

Използвани материали: Пластмаса, текстил, метал

**ПРОИЗВЕДЕНО ЗА KICA GROUP LTD., УЛ. „ВАСИЛ ЛЕВСКИ“ 121, ПЛОВДИВ, БЪЛГАРИЯ. ПРОИЗВЕДЕНО В КИТАЙ. В СЪОТВЕТСТВИЕ С EN 1130:2019+AC:2020; EN 16890:2017+A1:2021**

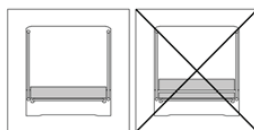
## AVVERTIMENTO!

1. Non utilizzare questo prodotto senza prima leggere le istruzioni per l'uso.
2. Interrompere l'uso del prodotto non appena il bambino è in grado di sedersi, inginocchiarsi o tirarsi su.
3. L'inserimento di oggetti aggiuntivi nel prodotto può causare soffocamento.
4. Non posizionare il prodotto vicino ad un altro prodotto, che potrebbe presentare un pericolo di soffocamento o strangolamento, ad es. stringhe, corde per tende/tende, ecc.



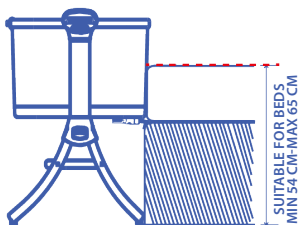
## AVVERTIMENTO!

1. Non utilizzare più di un materasso nel prodotto.
2. La sponda non deve essere più alta del materasso del letto per adulti.
3. Per evitare il rischio che il tuo bambino venga strangolato, il sistema di aggancio al letto dell'adulto deve essere sempre tenuto lontano dalla culla.
4. Utilizzare solo il materasso venduto con questo lettino, non aggiungere un secondo materasso su questo, pericolo di soffocamento.
5. Essere consapevoli del rischio di fiamme libere e altre fonti di forte calore, come fuochi di sbarre elettriche, ecc. nelle immediate vicinanze del lettino (culla e letto sospeso).



## IL PRODOTTO DEVE ESSERE POSIZIONATO SU UN PAVIMENTO ORIZZONTALE.

- Ai bambini piccoli non dovrebbe essere permesso di giocare senza sorveglianza in prossimità della culla.
- La culla deve essere bloccata nella posizione fissa quando il bambino viene lasciato incustodito.
- Tutti i raccordi di assemblaggio devono sempre essere serrati correttamente e occorre prestare attenzione che nessuna vite sia allentata, poiché un bambino potrebbe intrappolare parti del corpo o indumenti (ad es. strangolamento. Eseguire controlli di routine per assicurarsi che non vi siano parti allentate, danneggiate o mancanti.
- Non utilizzare materassini per culla diversi da questo, forniti con il prodotto e approvati dal produttore.
- Se utilizzi un materasso diverso da quello venduto con la culla, assicurati che sia dello spessore adeguato e che sia adatto alla culla. Lo spessore del materasso scelto deve essere tale che l'altezza verticale interna (superficie del piano del materasso fino al bordo superiore delle sponde del letto) sia di almeno 200 mm nella posizione più alta della rete.
- Se si utilizza un materasso diverso da quello venduto con il lettino, la lunghezza e la larghezza devono essere tali che la distanza massima tra il materasso e le sponde e le estremità non superi i 30 mm.
- L'inclinazione della culla è consentita con uno scarto massimo di 2 posizioni tra un piede e l'altro.
- La testa del bambino dovrebbe essere sempre posizionata sul lato più alto.
- NON utilizzare la culla in caso di parti mancanti, danneggiate o rotte. Si prega di contattare i nostri distributori. DO NON sostituire le parti.
- Il materasso del letto dei genitori dovrebbe essere sempre più alto del lato della culla. In caso contrario, utilizzare il sistema di regolazione per assicurarsi che l'altezza sia corretta su entrambi i lati.
- Il sistema di fissaggio è fornito con la culla. Non utilizzare altri sistemi di fissaggio.
- Le traversine accanto al letto non devono mai essere utilizzate in posizione inclinata.
- Per evitare il rischio di soffocamento dovuto all'intrappolamento, la traversina accanto al letto deve essere adeguatamente fissata al letto per adulti utilizzando il sistema di fissaggio. Non deve mai esserci uno spazio tra il lato inferiore della traversina accanto al letto e il materasso del letto per adulti. Controllare la tenuta del sistema di fissaggio prima di ogni utilizzo tirando la traversina del comodino in una direzione lontana dal letto per adulti.
- Se c'è spazio tra la traversina del letto e il letto per adulti NON utilizzare il prodotto.
- Gli spazi vuoti non devono essere riempiti con cuscini, coperte o altri oggetti.



## PERICOLO! Sollevare sempre completamente la sponda quando non è agganciata al letto dell'adulto.

- Età di utilizzo: 0-6 mesi, max. peso 9 kg.
- Il prodotto è pronto per l'uso solo quando i meccanismi di bloccaggio sono innestati.
- Assicurarsi che siano fissati saldamente prima dell'uso.
- Quando il tuo bambino è incustodito nel prodotto in "Configurazione culla", assicurati sempre che la sponda sia sollevata e che le cerniere siano completamente chiuse.
- Non utilizzare il corpo della culla senza il suo telaio.
- Montare, aprire e piegare il prodotto SOLO da un adulto!
- NON consentire ai bambini di età inferiore ai 3 anni di montare completamente il prodotto per evitare l'accesso a parti piccole e smontate!
- Eventuali coperture di plastica devono essere rimosse, distrutte o tenute lontane dalla portata dei bambini per evitare il soffocamento.
- Assicurarsi che i piedi della culla siano completamente allungati quando si utilizza come culla autonoma.
- Non utilizzare la culla se l'altezza del letto è inferiore a 54 cm o superiore a 65 cm dal pavimento.
- L'utilizzo del prodotto è consentito solo con letti e/o materassi con sponde dritte! L'uso del prodotto con letti rotondi e/o materassi o letti ad acqua o materassi gonfiabili, ecc. NON È CONSENTITO!
- Quando il prodotto viene utilizzato in modalità "Co-Sleeping" (fissaggio al letto) va sempre montato sul lato lungo di accesso al letto. NON fissare il prodotto alla testata o al fondo del letto!

## IMPORTANTE PER LA SICUREZZA DEL TUO BAMBINO!

- La funzione "Co-sleeping" è applicabile SOLO con la tipologia di letti che soddisfano tutte le condizioni sopra descritte e in questo paragrafo! In particolare

la sponda laterale della culla va sempre accostata al materasso dei genitori e il materasso deve essere sempre allineato all'altezza della sponda laterale di contenimento della culla.

- Inoltre, la culla deve essere saldamente fissata alla struttura del letto dei genitori o alla rete del materasso (rete o doghe).
- Quando si utilizza il prodotto con la funzione "Co-sleeping", per evitare il rischio di soffocamento dovuto all'intrappolamento, la traversina accanto al letto deve essere adeguatamente fissata al letto per adulti utilizzando il sistema di fissaggio.
- Non deve mai esserci uno spazio tra la parte inferiore del letto del letto e il materasso del letto per adulti.
- Controllare la tenuta del sistema di fissaggio prima di ogni utilizzo tirando la traversina del comodino in una direzione lontana dal letto per adulti.
- Se c'è spazio tra la traversina del letto e il letto per adulti NON utilizzare il prodotto.
- Verificare che la culla in modalità co-sleeping non interferisca con il letto dei genitori.
- Il materasso del letto dei genitori dovrebbe essere sempre più alto del lato della culla. In caso contrario, utilizzare il sistema di regolazione per assicurarsi che l'altezza sia corretta su entrambi i lati.
- Prima di ogni utilizzo verificare sempre che non ci sia spazio tra il materasso del letto dei genitori e la parete della culla. Tirare e serrare il sistema di aggancio fino al ripristino dello stato consentito.
- Ogni volta che la sponda laterale viene abbassata, controllare che la posizione del materasso genitore non sia cambiata!
- Quando la sponda laterale della culla è abbassata, va utilizzata solo quando è agganciata al letto dei genitori.
- Usa la culla con la parete abbassata solo in modalità co-sleeping.
- Il bambino potrebbe ferirsi se l'ampiezza dell'oscillazione è eccessiva.
- Le culle sospese possono rappresentare un rischio per gli altri bambini.
- Altri bambini possono comportare ulteriori rischi (ad esempio facendo oscillare eccessivamente la culla).
- Superfici irregolari possono causare instabilità del prodotto.
- Posizionare le culle sospese in modo tale che non vi sia alcun rischio di impatto con l'oscillazione (ad es. nessun rischio che il bambino colpisca il telaio della culla o che la culla colpisca altri mobili).

## I. PARTI

1. Materasso; 2. Cinghia di montaggio; 3. Corrimano superiore; 4. Navicella; 5. Leva di regolazione dell'altezza; 6. Gamba del telaio; 7. Ruota universale; 8. Elemento di collegamento;
9. Clip di supporto in plastica; 10. Piastra di base;

## II. ASSEMBLAGGIO DELLA TRAVERSA DA LETTO

- 2.1. Inserire il tubo di supporto trasversale nel giunto in plastica fino a sentire un clic.
- 2.2. Inserire il tubo della staffa nel giunto di plastica finché non si sente un clic.
- 2.3. Inserire il tubo di sostegno nel giunto fino a sentire un clic, quindi inserire l'asta di ferro nella navicella.
- 2.4. Inserire l'asta di ferro nel rivestimento in tessuto.
- 2.5. L'asta di ferro contrassegnata con una linea tratteggiata dovrebbe essere nascosta nel coperchio.
- 2.6-2.10 Far passare il nastro attraverso il foro quadrato e fissarlo saldamente all'anello a D.
- 2.11. Posizionare il materasso e poi tienilo piatto, il letto è completamente installato.

**NOTA! La culla è adatta per letti con altezza minima 54 cm e altezza massima 65 cm.**

## III. COME SMONTARE LA SPONDA RIBALTABILE

- 3.1. Aprire la cerniera su entrambi i lati del parapetto.
- 3.2. Spingere il pulsante come indicato dalla freccia sul pulsante, quindi verso l'alto la guida superiore.
- 3.3. Rimuovere le estremità del parapetto.
- 3.4. Abbassare il tubo del guardrail e appoggiarlo in piano.

**NOTA! Alzare sempre completamente la sponda quando non è attaccata al letto dell'adulto!**

## IV. COME REGOLARE L'ALTEZZA

### REGOLAZIONE DELL'ALTEZZA

Per modificare l'altezza della culla, premere le leve di regolazione dell'altezza su entrambe le estremità della culla e impostare la navicella all'altezza desiderata. Sono disponibili sette impostazioni di altezza della culla. La culla consente di impostare un'altezza diversa di ciascuna delle sue estremità.

**AVVERTIMENTO!** L'inclinazione massima consentita della navicella della culla è una differenza di due livelli di impostazione. Tenere sempre la testa del bambino nella culla all'estremità superiore della navicella.

**AVVERTIMENTO!** Quando si regola la posizione in altezza, assicurarsi che l'angolo di inclinazione della base della navicella da un'estremità all'altra (dalla testa ai piedi) non sia maggiore di 10°.Ora la differenza tra gli ingranaggi di altezza sinistra e destra deve essere inferiore a 2°.

- 4.1. Sollevare la maniglia di regolazione dell'altezza in plastica su entrambi i lati, quindi viene più in alto.
- 4.2. Solleva la maniglia di regolazione dell'altezza in plastica su entrambi i lati, quindi abbassa il nido, si abbassa di cui hai bisogno.

## V. COLLEGAMENTO CON LETTO ADULTO

**AVVERTIMENTO!** Quando si utilizza la funzione comodino, la sponda laterale ribaltabile deve essere rimossa e conservata bene.

**AVVERTIMENTO!** Quando si fissa il comodino, il bordo corto del parapetto deve essere ben aderente al materasso per adulti per evitare spazi vuoti.

# IT IMPORTANTE! CONSERVARE PER RIFERIMENTI FUTURI! LEGGI ATTENTAMENTE!

# GR ΣΠΟΥΔΑΙΟΣ! ΚΡΑΤΗΣΤΕ ΓΙΑ ΜΕΛΛΟΝΤΙΚΗ ΑΝΑΦΟΡΑ! ΔΙΑΒΑΣΤΕ ΠΡΟΣΕΚΤΙΚΑ!

**NOTA!** Quando viene utilizzata come traversina accanto al letto, il fondo della navicella deve essere parallelo al suolo. Non ci deve essere differenza di altezza tra le estremità della culla.

**NOTA!** Prima di ogni utilizzo, assicurarsi che non vi sia spazio tra il materasso del letto dell'adulto e il lato della culla.

**AVVERTIMENTO!** Questo prodotto può essere utilizzato solo con letti e/o materassi con bordi dritti. Non utilizzare questo prodotto con letti e/o materassi arrotondati o con letti ad acqua.

**IL TIPO DI LETTI PER ADULTI CON CUI IL LETTO ACCANTO AL LETTO PUÒ O NON PUÒ ESSERE UTILIZZATO**

**AVVERTIMENTO!** Il sistema di aggancio deve essere SEMPRE utilizzato in modalità letto accanto al letto:

- 5.4. Allineare la culla direttamente accanto al letto dei genitori e far passare il sistema di fissaggio sotto il materasso del letto e intorno alla struttura del letto.
  - 5.5. Fissare il sistema di fissaggio collegando e facendo passare insieme le fibbie a clip. Tirare la cinghia per stringere saldamente il sistema di fissaggio al letto.
  - 5.6. Materasso, molle e telaio allineati; Condizioni del letto per adulti accettabili per la modalità co-sleep (struttura del letto in linea).
  - 5.7. Condizioni del letto per adulti inaccettabili per la modalità co-sleep (struttura del letto non in linea).
- Non adatto per l'uso accanto a letti ad acqua o lettini per bambini.

- Lascia che la culla accanto al letto si avvicini al letto dell'adulto.
- Collegare la culla al letto e il letto dell'adulto con la cinghia, la cinghia deve essere posizionata tra il materasso e la struttura del letto dell'adulto.

**AVVERTIMENTO!** Quando si utilizza la funzione comodino, la sponda laterale ribaltabile deve essere rimossa e conservata bene.

**AVVERTIMENTO!** Quando si fissa il comodino, il bordo corto del parapetto deve essere ben aderente al materasso per adulti per evitare spazi vuoti. La traversina del comodino può essere utilizzata solo per il letto per adulti allineato. Nel frattempo, la distanza tra il lato inferiore più basso del letto per adulti allineato (il lato ribaltabile) e il suolo deve essere superiore a 20 cm.

- 5.2 Assicurarsi che il piede raggiunga la sponda del letto.
- 5.3 Non adatto per l'uso accanto a letti ad acqua o lettini per bambini.

## FUNZIONE LETTO SUL COMODINO

5.1-5.3 Per utilizzare il prodotto come dormiente, è necessario convertirlo. La procedura:

1. Aprire le cerniere su entrambe le estremità del lato pieghevole.
2. Far scorrere i fermi per rilasciare il fermo della ringhiera.
3. Abbassare il lato ribaltabile della navicella.
4. Mettere la culla a lato del letto dell'adulto e impostare l'altezza della culla in modo che la parte superiore del materasso del letto sia a livello - o non più di 2 cm al di sopra - del bordo superiore del lato pieghevole.
5. Passare le cinghie di fissaggio della culla sotto il materasso del letto e agganciare le estremità sopra la struttura del letto dell'adulto sul lato opposto del letto. Le estremità devono essere verticali tra la struttura del letto e il materasso.
6. Fissare le cinghie di montaggio alla culla utilizzando i fermagli.
7. Stringere le cinghie di montaggio e assicurarsi che ciò mantenga la culla stabile e saldamente attaccato al letto dell'adulto.

## VI. COME USARE IL FRENO

- 6.1. Per bloccare le ruote del lettino, premere le linguette dei freni su ciascuna delle ruote.
- 6.2. Per sbloccare le ruote, sollevare le linguette dei freni.

## VII. PULIZIA E MANUTENZIONE

- Pulire le parti metalliche e in plastica con un panno umido e un detergente delicato.
- Per la pulizia utilizzare acqua saponata o un detergente delicato per la pulizia. Lavare a mano la borsa con acqua saponata. Non stirare. Non usare la candeg-gina.
- NON posizionare il lettino vicino a dispositivi di riscaldamento perché danneggerebbe la plastica e i tessuti.
- NON utilizzare la culla in caso di parti mancanti, danneggiate o rotte. Si prega di contattare i nostri distributori. DO NON sostituire le parti.

Materiali utilizzati: plastica, tessuto, metallo

**Prodotto per Kika Group Ltd., Vasil Levski 121, Plovdiv, Bulgaria. Made in China.**  
**Conforme alla norma EN 1130:2019+AC:2020; EN 16890:2017+A1:2021.**

## ΠΡΟΕΙΔΟΠΟΙΗΣΗ!

1. Μην χρησιμοποιείτε αυτό το προϊόν χωρίς να διαβάσετε πρώτα τις οδηγίες χρήσης.
2. Σταματήστε να χρησιμοποιείτε το προϊόν μόλις το παιδί μπορεί να καθίσει ή να γονατίσει ή να σηκωθεί.
3. Η τοποθέτηση πρόσθετων αντικειμένων στο προϊόν μπορεί να προκαλέσει ασφυξία.
4. Μην τοποθετείτε το προϊόν κοντά σε άλλο προϊόν, το οποίο μπορεί να παρουσιάζει κίνδυνο ασφυξίας ή στραγγαλισμού, π.χ. κορδόνια, στόρια / κορδόνια κουρτινών κ.λπ.

## ΠΡΟΕΙΔΟΠΟΙΗΣΗ!

1. Μην χρησιμοποιείτε περισσότερα από ένα στρώματα στο προϊόν.
2. Η ράγα δεν πρέπει να είναι ψηλότερα από το στρώμα του κρεβατιού ενηλίκου.
3. Για να αποφύγετε τον κίνδυνο στραγγαλισμού του παιδιού σας, το σύστημα προσάρτησης στο κρεβάτι του ενήλικα θα πρέπει να φυλάσσεται πάντα μακριά από και έξω από την κούνια.
4. Χρησιμοποιήστε μόνο το στρώμα που πωλείται με αυτήν την κούνια, μην προσθέσετε δεύτερο στρώμα σε αυτό, κίνδυνος ασφυξίας.
5. Να είστε ενήμεροι για τον κίνδυνο ανοιχτής πυρκαγιάς και άλλων πηγών ισχυρής θερμότητας, όπως πυρκαγιές σε ηλεκτρικές μπάρες κ.λπ. κοντά στην κούνια (κούνια και κρεμαστό κρεβάτι).

## ΤΟ ΠΡΟΪΟΝ ΠΡΕΠΕΙ ΝΑ ΤΟΠΟΘΕΤΗΘΕΙ ΣΕ ΟΡΙΖΟΝΤΙΟ ΔΑΠΕΔΟ.

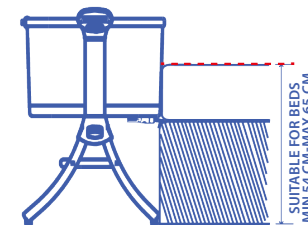
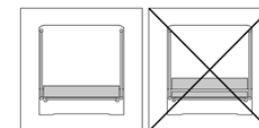
- Δεν πρέπει να επιτρέπεται στα μικρά παιδιά να παίζουν χωρίς επίβλεψη κοντά στην κούνια.
- Η κούνια πρέπει να κλειδώνεται στη σταθερή θέση όταν το παιδί αφήνεται χωρίς επίβλεψη.
- Όλα τα εξαρτήματα συναρμολόγησης θα πρέπει πάντα να σφίγγονται σωστά και να προσέχετε ώστε να μην είναι χαλαρές βίδες, επειδή ένα παιδί μπορεί να παγιδεύσει μέρη του σώματος ή των ρούχων (π.χ. κορδόνια, κολλές, κορδέλες για ανδρείκελα μωρών κ.λπ.) που θα ενέχουν κίνδυνο στραγγαλισμού. Πραγματοποιήστε ελέγχους ρουτίνας για να βεβαιωθείτε ότι δεν υπάρχουν χαλαρά, ήμεις ή λείπουν εξαρτήματα.
- Μην χρησιμοποιείτε στρώμα για την κούνια διαφορετικό από αυτό, που παρέχεται με το προϊόν και εγκρίνεται από τον κατασκευαστή.
- Εάν χρησιμοποιείτε διαφορετικό στρώμα από αυτό που πωλείται με την κούνια, βεβαιωθείτε ότι είναι με το κατάλληλο πάχος και ότι είναι κατάλληλο με την κούνια. Το πάχος του στρώματος που επιλέγεται πρέπει να είναι τέτοιο ώστε το εσωτερικό κατακόρυφο ύψος (επιφάνεια της κορυφής του στρώματος έως το άνω άκρο των πλευρών του κρεβατιού) να είναι τουλάχιστον 200 mm στην ψηλότερη θέση της βίσης του κρεβατιού.
- Εάν χρησιμοποιείτε διαφορετικό στρώμα από αυτό που πωλείται με την κούνια, το μήκος και το πλάτος πρέπει να είναι τέτοια ώστε το μέγιστο κενό μεταξύ του στρώματος και των πλευρών και των άκρων να μην υπερβαίνει τα 30 mm.
- Η κλίση της κούνιας επιτρέπεται με μέγιστο κενό 2 θέσεων μεταξύ του ενός ποδιού και του άλλου.
- Το κεφάλι του παιδιού πρέπει πάντα να είναι τοποθετημένο στην ψηλότερη πλευρά.
- ΜΗΝ χρησιμοποιείτε κούνια εάν λείπουν εξαρτήματα, έχουν καταστραφεί ή έχουν σπάσει. Επικοινωνήστε με τους διανομείς μας. ΜΗΝ αντικαθιστάτε ανταλλακτικά.
- Το στρώμα στο γονικό κρεβάτι πρέπει να είναι πάντα ψηλότερα από το πλάι της κούνιας. Εάν όχι, χρησιμοποιήστε το σύστημα ρύθμισης για να βεβαιωθείτε ότι το ύψος είναι σωστό και στις δύο πλευρές.
- Το σύστημα στερέωσης παρέχεται με την κούνια. Μην χρησιμοποιείτε άλλο σύστημα προσάρτησης.
- Οι κρεβατοκάμαρες δεν πρέπει ποτέ να χρησιμοποιούνται σε κεκλιμένη θέση.
- Για να αποφευχθεί ο κίνδυνος ασφυξίας από τον εγκλωβισμό, το κρεβάτι δίπλα στο κρεβάτι πρέπει να στερεώνεται σωστά στο κρεβάτι ενηλίκων χρησιμοποιώντας το σύστημα προσάρτησης. Δεν πρέπει ποτέ να υπάρχει κενό μεταξύ της κάτω πλευράς του κρεβατιού δίπλα στο κρεβάτι και του στρώματος του κρεβατιού ενηλίκων. Ελέγξτε τη στεγανότητα του συστήματος στερέωσης πριν από κάθε χρήση, τραβώντας το κρεβάτι δίπλα στο κρεβάτι προς μια κατεύθυνση μακριά από το κρεβάτι ενηλίκων.
- Εάν υπάρχει κενό μεταξύ του κρεβατιού δίπλα στο κρεβάτι και του κρεβατιού ενηλίκων ΜΗΝ χρησιμοποιήσετε το προϊόν.
- Τα κενά δεν πρέπει να γεμίζονται με μαξιλάρια, κουβέρτες ή άλλα αντικείμενα.

## ΚΙΝΔΥΝΟΣ! Πάντα να σικνώνετε τελείως την πλευρά που πέφτει όταν δεν είναι στερεωμένη στο κρεβάτι του ενήλικα.

- Ηλικία χρήσης: 0-6 μήνες, Μέγ. βάρος 9 κιλά.
- Το προϊόν είναι έτοιμο για χρήση μόνο όταν είναι ενεργοποιημένοι οι μηχανισμοί ασφαλισίας.
- Βεβαιωθείτε ότι έχουν στερεωθεί καλά πριν από τη χρήση.
- Όταν το παιδί σας είναι χωρίς επίβλεψη στο προϊόν στη «Διαμόρφωση κούνιας», βεβαιωθείτε πάντα ότι το πλάι είναι ανασηκωμένο και τα φερμουάρ είναι κλειστά εντελώς.
- Μην χρησιμοποιείτε το σώμα της κούνιας χωρίς το σκελετό της.
- Συναρμολογήστε, ξεδιπλώστε και διπλώστε το προϊόν ΜΟΝΟ από ενήλικα!
- ΜΗΝ επιτρέπεται σε παιδιά κάτω των 3 ετών έως όπου συναρμολογήσουν πλήρως το προϊόν για να αποφύγετε την πρόσβαση σε μικρά και αποσυρμολογημένα εξαρτήματα!
- Οποιοδήποτε πλαστικό κάλυμμα πρέπει να αφαιρείται, να καταστραφεί ή να φυλάσσεται μακριά από παιδιά για να αποφευχθεί η ασφυξία.
- Βεβαιωθείτε ότι τα πόδια της κούνιας έχουν επιμηκυνθεί πλήρως όταν χρησιμοποιείτε ως αυτόνομη κούνια.
- Μην χρησιμοποιείτε την κούνια εάν το ύψος του κρεβατιού σας είναι μικρότερο από 54 cm ή περισσότερο από 65 cm πάνω από το πάτωμα.
- Η χρήση του προϊόντος επιτρέπεται μόνο με κρεβάτια ή/και στρώματα με ίσια πλαίσια! Η χρήση του προϊόντος με στρογγυλά κρεβάτια ή/και στρώματα ή κρεβάτια νερού ή φουσκωτό στρώμα κ.λπ. ΔΕΝ ΕΠΙΤΡΕΠΕΤΑΙ!
- Όταν το προϊόν χρησιμοποιείται στη λειτουργία "Co-Sleeping" (στερεώνει στο κρεβάτι) θα πρέπει πάντα να τοποθετείται στη μεγάλη πλευρά της πρόσβασης στο κρεβάτι. ΜΗΝ στερεώνετε το προϊόν στο κεφάλι ή στο κάτω μέρος του κρεβατιού!

## ΣΗΜΑΝΤΙΚΟ ΓΙΑ ΤΗΝ ΑΣΦΑΛΕΙΑ ΤΟΥ ΠΑΙΔΙΟΥ ΣΑΣ!

- Η λειτουργία "Co-sleeping" ισχύει ΜΟΝΟ για τον τύπο κρεβατιών που πληρούν όλες τις προϋποθέσεις που περιγράφονται παραπάνω και σε αυτήν την παράγραφο! Ειδικότερα, το πλαίσιο στήριγμα της κούνιας θα πρέπει πάντα να τοποθετείται κοντά στο στρώμα του γονέα και το στρώμα θα πρέπει πάντα να ευθυγραμμίζεται με το ύψος του πλευρικού στήριγματος για συγκράτηση της κούνιας.
- Επιπλέον, η κούνια πρέπει να στερεώνεται σταθερά στη δομή του κρεβατιού των γονέων ή στο στήριγμα του στρώματος (δίχτυ ή πηγάκια).
- Όταν χρησιμοποιείτε το προϊόν στη λειτουργία "Co-sleeping", για να αποφευχθεί ο κίνδυνος ασφυξίας από τον εγκλωβισμό, ο κρεβατοκάμαρας δίπλα στο κρεβάτι πρέπει να



- στερώνεται ωσotά στο κρεβάτι ενηλίκων χρησιμοποιώντας το σύστημα προσάρτησης.
- Δεν πρέπει ποτέ να υπάρχει κενό μεταξύ της κάτω πλευράς του κρεβατιού δίπλα στο κρεβάτι και του στρώματος του κρεβατιού ενηλίκων.
- Ελέγξτε τη στεγανότητα του συστήματος στερέωσης πριν από κάθε χρήση, τραβώντας το κρεβάτι δίπλα στο κρεβάτι προς μια κατεύθυνση μακριά από το κρεβάτι ενηλίκων.
- Εάν υπάρχει κενό μεταξύ του κρεβατιού δίπλα στο κρεβάτι και του κρεβατιού ενηλίκων ΜΗΝ χρησιμοποιήσετε το προϊόν.
- Ελέγξτε για να βεβαιωθείτε ότι η κούνια στη λειτουργία co-sleeping δεν παρεμβαίνει στο κρεβάτι του γονέα.
- Το στρώμα στο γονικό κρεβάτι πρέπει να είναι πάντα ψηλότερα από το πλάι της κούινας. Εάν όχι, χρησιμοποιήστε το σύστημα ρύθμισης για να βεβαιωθείτε ότι το ύψος είναι ωσotό και στις δύο πλευρές.
- Πριν από κάθε χρήση, ελέγχετε πάντα ότι δεν υπάρχει χώρος μεταξύ του στρώματος στο γονικό κρεβάτι και του τοίχου της κούινας. Τραβήξτε και αφίξτε το σύστημα προσάρτησης μέχρι να αποκατασταθεί η επιτρεπόμενη κατάσταση.
- Κάθε φορά που το πλευρικό τοίχωμα χαμηλώνει, βεβαιωθείτε ότι η θέση του γονικού στρώματος δεν έχει αλλάξει!
- Όταν το πλευρικό τοίχωμα της κούινας είναι χαμηλωμένο, θα πρέπει να χρησιμοποιείται μόνο όταν είναι στερεωμένο στο κρεβάτι του γονέα.
- Χρησιμοποιήστε την κούνια με τον τοίχο χαμηλωμένο μόνο στη λειτουργία συν-ύπνου.
- Το παιδί μπορεί να τραυματιστεί εάν το πλάτος της τάλαντευσης είναι υπερβολικό.
- Οι κρεμαστές κούινες μπορεί να εγκυμονούν κινδύνους για άλλα παιδιά.
- Άλλα παιδιά μπορεί να εγκυμονούν επιπλέον κινδύνους (π.χ. κουνώντας υπερβολικά την κούνια).
- Ανώμαλες επιφάνειες μπορεί να προκαλέσουν αστάθεια του προϊόντος.
- Εντοπίστε τις κρεμαστές κούινες με τέτοιο τρόπο ώστε να μην υπάρχει κίνδυνος πρόσκρουσης με τάλαντευση (π.χ. κανέναν κίνδυνο να χτυπήει το παιδί στο πλαίσιο της κούινας ή η κούνια να χτυπήσει άλλα έπιπλα).

#### I. ΜΕΡΗ

1. Στρώμα; 2. Λουράκι στερέωσης. 3. Κορυφαία κουπαστή. 4. Carrysot; 5. Μοχλός ρύθμισης ύψους. 6. Σκέλος πλαίσιου. 7. Universal τροχός. 8. Στοιχείο σύνδεσης. 9. Υποστηρικτικό πλαστικό κλπ. 10. Βάση.

#### II. ΣΥΝΑΡΜΟΛΟΓΗΣΗ ΤΟΥ ΚΟΝΔΥΡΟΥ

- Εισαγάγετε τον εγκάρσιο σωλήνα στήριξης στην πλαστική άρθρωση μέχρι να ακούσετε έναν ήχο κρότου.
- Εισαγάγετε το σωλήνα Bracket στην πλαστική άρθρωση μέχρι να ακούσετε έναν ήχο κλικ.
- Εισαγάγετε τον σωλήνα στήριξης στην άρθρωση μέχρι να ακούσετε έναν ήχο κρότου και, στη συνέχεια, τοποθετήστε τη σιδερένια ράβδο στο σετ λεκάνης.
- Τοποθετήστε τη σιδερένια ράβδο στο υφασμάτινο κάλυμμα.
- Η σιδερένια ράβδος που σημειώνεται με διακεκομμένη γραμμή πρέπει να είναι κρυμμένη στο κάλυμμα.
- 6-2.10 Βάλτε τα περάσματα της κορδέλας μέσα από την τετραγωνή τρύπα και στερεώστε σφιχτά στον δακτύλιο D.
11. Τοποθετήστε το στρώμα και, στη συνέχεια, κρατήστε το επίπεδο, ο κρεβατοκάμαρας είναι πλήρως τοποθετημένος.

**ΣΗΜΕΙΩΣΗ! Η βρεφική κούνια είναι κατάλληλη για κρεβάτια με ελάχιστο ύψος 54 cm και μέγιστο ύψος 65 cm.**

#### III. ΠΩΣ ΝΑ ΑΠΟΣΥΝΑΡΜΟΛΟΓΗΣΕΤΕ ΤΗΝ ΠΛΕΥΡΑ ΠΤΩΣΗΣ

- Ανοίξτε το φερμουάρ και από τις δύο πλευρές του προστατευτικού κιγκλιδώματος.
- Πιέστε το κουμπί όπως υποδεικνύεται από το βέλος στο κουμπί και, στη συνέχεια, προς τα πάνω στην επάνω ράγα.
- Αφαιρέστε τα άκρα του προστατευτικού κιγκλιδώματος.
- Κατεβάστε τον προστατευτικό σωλήνα και τοποθετήστε τον σε επίπεδο.

**ΣΗΜΕΙΩΣΗ! Πάντα να σηκώνετε τελείως την πλευρά που πέφτει όταν δεν είναι στερεωμένη στο κρεβάτι του ενήλικα!**

#### IV. ΠΩΣ ΝΑ ΡΥΘΜΙΣΕΤΕ ΤΟ ΥΨΟΣ

ΡΥΘΜΙΣΗ ΥΨΟΥΣ

Για να αλλάξετε το ύψος της κούινας, πατήστε τους μοχλούς ρύθμισης ύψους και στις δύο άκρες της κούινας και τοποθετήστε το πορτμπαγκάζ στο επιθυμητό ύψος. Υπάρχουν επτά διαθέσιμες ρυθμίσεις ύψους κούινας. Η κούνια επιτρέπει τη ρύθμιση διαφορετικού ύψους για κάθε μία από τις άκρες της.

**ΠΡΟΕΙΔΟΠΟΙΗΣΗ!** Η μέγιστη επιτρεπόμενη κλίση της κούινας μεταφοράς είναι μια διαφορά δύο επιπέδων ρύθμισης. Να έχετε πάντα το κεφάλι του μωρού στην κούνια στο ψηλότερο άκρο του πορτμπαγκάζ.

**ΠΡΟΕΙΔΟΠΟΙΗΣΗ!** Κατά τη ρύθμιση της θέσης ύψους , βεβαιωθείτε ότι η γωνία κλίσης της βάσης της λεκάνης από άκρο σε άκρο (κεφάλι προς πόδια) δεν πρέπει να είναι μεγαλύτερη από 10°.Οη διαφορά ύψους μεταξύ του αριστερού και του δεξιού γρνααδιού πρέπει να είναι μικρότερη από 2".

- Ανασηκώστε την πλαστική λαβή ρύθμισης ύψους και από τις δύο πλευρές και μετά έρχεται ψηλότερα.
- Σηκώστε την πλαστική λαβή ρύθμισης ύψους και από τις δύο πλευρές, στη συνέχεια τραβήξτε προς τα κάτω τη φωλιά, έρχεται πιο χαμηλά όσο χρειάζεστε.

#### V. ΣΥΝΔΕΣΗ ΜΕ ΚΡΕΒΑΤΙ ΕΝΗΛΙΚΩΝ

**ΠΡΟΕΙΔΟΠΟΙΗΣΗ!** Όταν χρησιμοποιείτε τη λειτουργία του κρεβατιού δίπλα στο κρεβάτι, πρέπει να αφαιρείτε και να διατηρείτε καλά το πλευρικό κάγκελο.

**ΠΡΟΕΙΔΟΠΟΙΗΣΗ!** Κατά τη στερέωση του κομοδίνου, η κοντή άκρη του προστατευτικού κιγκλιδώματος πρέπει να είναι στενά προσαρμοσμένο στο στρώμα ενηλίκων για να αποφευχθεί οποιοδήποτε κενό.

**ΣΗΜΕΙΩΣΗ!** Όταν χρησιμοποιείται ως κρεβάτι δίπλα στο κρεβάτι, το κάτω μέρος του πορτμπαγκάζ πρέπει να είναι παράλληλο με το έδαφος. Δεν θα υπάρχει διαφορά ύψους μεταξύ των άκρων της κούινας.

**ΣΗΜΕΙΩΣΗ!** Πριν από κάθε χρήση, βεβαιωθείτε ότι δεν υπάρχει κενό ανάμεσα στο στρώμα του κρεβατιού του ενήλικα και στο πλάι της κούινας.

**ΠΡΟΕΙΔΟΠΟΙΗΣΗ!** Αυτό το προϊόν μπορεί να χρησιμοποιηθεί μόνο με κρεβάτια ή/και στρώματα που έχουν ίσιες άκρες. Μη χρησιμοποιείτε αυτό το προϊόν με

τρογγυλά κρεβάτια ή/και στρώματα ή με κρεβάτια νερού.

**Ο ΤΥΠΟΣ ΚΡΕΒΑΤΙΩΝ ΓΙΑ ΕΝΗΛΙΚΕΣ ΜΕ ΤΟΥΣ ΟΠΟΙΟΥΣ ΜΠΟΡΕΙ Η ΔΕΝ ΜΠΟΡΕΙ ΝΑ ΧΡΗΣΙΜΟΠΟΙΗΘΕΙ Η ΚΟΜΟΔΙΝΑ ΔΙΠΛΑ ΣΤΟ ΚΡΕΒΑΤΙ**

**ΠΡΟΕΙΔΟΠΟΙΗΣΗ!** Το σύστημα στερέωσης πρέπει να χρησιμοποιείται ΠΑΝΤΑ σε λειτουργία ύπνου δίπλα στο κρεβάτι:

- Ευθυγραμμίστε την κούνια ακριβώς δίπλα στο κρεβάτι των γονέων και περάστε το Σύστημα Προσάρτησης κάτω από το στρώμα του κρεβατιού και γύρω από το πλαίσιο του κρεβατιού.
- 5.5. Ασφαλίστε το σύστημα προσάρτησης συνδέοντας και περάστε τις πόρπες του κλιπ μεταξύ τους. Τραβήξτε τον ιμάντα για να σφίξετε καλά το σύστημα προσάρτησης στο κρεβάτι.
- 5.6. Στρώμα , ελατήρια κουτιού & πλαίσιο ευθυγραμμισμένο. Αποδεκτές συνθήκες κρεβατιού ενηλίκων για λειτουργία co sleeping (πλάσιο κρεβατιού in-line).
- 5.7. Απαράδεκτες συνθήκες κρεβατιού ενηλίκων για λειτουργία co sleeping (το πλαίσιο του κρεβατιού δεν είναι ενσωματωμένο).

Δεν είναι κατάλληλο για χρήση δίπλα σε κρεβάτια νερού ή παιδικά κρεβάτια.

- Αφήστε την κούνια δίπλα στο κρεβάτι προς το κρεβάτι του ενήλικα.
- Συνδέστε την κούνια δίπλα στο κρεβάτι και το κρεβάτι του ενήλικα με λουράκι, ο ιμάντας πρέπει να τοποθετηθεί ανάμεσα στο στρώμα και το πλαίσιο του κρεβατιού του ενηλίκου.

**ΠΡΟΕΙΔΟΠΟΙΗΣΗ!** Όταν χρησιμοποιείτε τη λειτουργία του κρεβατιού δίπλα στο κρεβάτι, πρέπει να αφαιρείτε και να διατηρείτε καλά το πλευρικό κάγκελο.

**ΠΡΟΕΙΔΟΠΟΙΗΣΗ!** Κατά τη στερέωση του κομοδίνου, η κοντή άκρη του προστατευτικού κιγκλιδώματος πρέπει να είναι στενά προσαρμοσμένη στο στρώμα ενηλίκων για να αποφευχθεί οποιοδήποτε κενό. Το κρεβάτι δίπλα στο κρεβάτι μπορεί να χρησιμοποιηθεί μόνο για ευθυγραμμισμένο κρεβάτι ενηλίκων. Εν τω μεταξύ, η απόσταση από τη χαμηλότερη κάτω πλευρά του ευθυγραμμισμένου κρεβατιού ενηλίκων (η πλευρά που πέφτει) μέχρι το έδαφος πρέπει να είναι μεγαλύτερη από 20 cm.

- 2 Βεβαιωθείτε ότι το πόδι φτάνει στην πλαϊνή σανίδα του κρεβατιού.
- 3 Δεν είναι κατάλληλο για χρήση δίπλα σε κρεβάτια νερού ή παιδικά κρεβάτια.

#### ΛΕΙΤΟΥΡΓΙΑ ΚΡΕΒΑΤΙΟΥ ΔΙΠΛΑ ΣΤΟ ΚΡΕΒΑΤΙ

5.1-5.3 Για να χρησιμοποιήσετε το προϊόν ως κρεβάτι δίπλα στο κρεβάτι, πρέπει να μετατραπεί. Η διαδικασία:

- Λύστε τα φερμουάρ και στις δύο άκρες της αναδιπλούμενης πλευράς.
- Σύρετε τις κλειδαριές για να απελευθερώσετε το συγκράτηση του κιγκλιδώματος.
- Χαμηλώστε την αναδιπλούμενη πλευρά του πορτμπαγκάζ.
- Τοποθετήστε την κούνια στο πλάι του κρεβατιού του ενήλικα και ρυθμίστε το ύψος της κούινας έτσι ώστε το επάνω μέρος του στρώματος του κρεβατιού να είναι στο ίδιο επίπεδο - ή όχι περισσότερο από 2 cm πάνω - με την επάνω άκρη της αναδιπλούμενης πλευράς.
- Περάστε τους ιμάντες στερέωσης της κούινας κάτω από το στρώμα του κρεβατιού και γαντζώστε τις άκρες πάνω από το πλαίσιο του κρεβατιού του ενήλικα στην απέναντι πλευρά του κρεβατιού. Τα άκρα πρέπει να είναι όρθια μεταξύ του σκελετού του κρεβατιού και του στρώματος.
- Στερεώστε τους ιμάντες στερέωσης στην κούνια χρησιμοποιώντας τα κουμπώματα.
- Σφίξτε τους ιμάντες στερέωσης και βεβαιωθείτε ότι έτσι διατηρείται η κούνια σταθερή και στερεωμένο σταθερά στο κρεβάτι του ενήλικα.

#### VI. ΠΩΣ ΝΑ ΧΡΗΣΙΜΟΠΟΙΗΣΕΤΕ ΤΟ ΦΡΕΝΟ

1. Για να κλειδώσετε τους τροχούς της κούινας, πιέστε προς τα κάτω τις γλωττίδες του φρένου σε κάθε έναν από τους τροχούς.
2. Για να απελευθερώσετε τους τροχούς, ανασήκωσε τις γλωττίδες του φρένου.

### VII. ΚΑΘΑΡΙΣΜΟΣ ΚΑΙ ΣΥΝΤΗΡΗΣΗ

- Καθαρίστε τα μεταλλικά και πλαστικά μέρη με ένα υγρό πανί και ένα ήπιο απορρυπαντικό.
- Για τον καθαρισμό χρησιμοποιήστε σαπουνόνερο ή μαλακό απορρυπαντικό καθαρισμού. Πλύνετε τη σακούλα στο χέρι με σαπουνόνερο. Μη σιδερώνετε. Μη λευκάνετε.
- ΜΗΝ τοποθετείτε την κούνια κοντά σε συσκευή θέρμανσης γιατί θα καταστρέψει το πλαστικό και τα υφάσματα.
- ΜΗΝ χρησιμοποιείτε κούνια εάν λείπουν εξαρτήματα, έχουν καταστραφεί ή έχουν σπάσει. Επικοινωνήστε με τους διανομείς μας. ΜΗΝ αντικαθιστάτε ανταλλακτικά.

Υλικά που χρησιμοποιούνται: Πλαστικό, ύφασμα, μέταλλο

**Παράγεται για την Kika Group Ltd., Vasil Levski 121, Plovdiv, Bulgaria. Κατασκευασμένο στην Κίνα. Συμμορφώνεται με το EN 1130:2019+AC:2020. EN 16890:2017+A1:2021.**

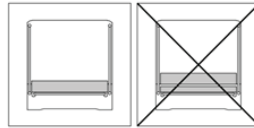
## WARNUNG:

1. Verwenden Sie dieses Produkt nicht, ohne vorher die Gebrauchsanweisung gelesen zu haben.
2. Beenden Sie die Verwendung des Produkts, sobald das Kind sitzen, knien oder sich hochziehen kann.
3. Das Platzieren zusätzlicher Gegenstände im Produkt kann zum Ersticken führen.
4. Platzieren Sie das Produkt nicht in der Nähe eines anderen Produkts, da dies eine Erstickungsgefahr darstellen könnte (Strangulation, z.B. Schnüre, Jalousien-/Vorhangschnüre usw.).



## WARNUNG:

1. Verwenden Sie nicht mehr als eine Matratze im Produkt.
2. Das Geländer darf nicht höher sein als die Matratze des Erwachsenenbetts.
3. Um zu verhindern, dass Ihr Kind erdrosselt wird, muss das Befestigungssystem am Bett des Erwachsenen immer von der Wiege ferngehalten werden.
4. Verwenden Sie nur die mit diesem Kinderbett verkaufte Matratze. Legen Sie keine zweite Matratze darauf, es besteht Erstickungsgefahr.
5. Seien Sie sich der Gefahr von offenem Feuer und anderen starken Hitzequellen, wie z. B. Elektrofeuern usw., in der Nähe des Kinderbetts (Kinderbett und Hängebett) bewusst.

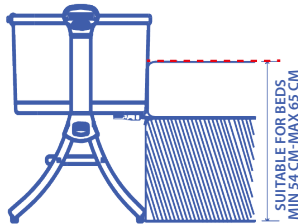


## DAS PRODUKT SOLLTE AUF EINEM HORIZONTALEN BODEN AUFGESTELLT WERDEN.

- Kleine Kinder sollten nicht unbeaufsichtigt in der Nähe des Kinderbetts spielen.
- Das Kinderbett sollte in der festen Position verriegelt sein, wenn das Kind unbeaufsichtigt bleibt.
- Alle Montagebeschläge sollten stets fest angezogen sein und darauf geachtet werden, dass keine Schrauben locker sind, da ein Kind Körper- oder Kleidungsstücke (z. B. Schnüre, Halsketten, Bänder für Babyschnuller usw.) einklemmen könnte, was eine Gefahr darstellen würde (Strangulation). Führen Sie Routineprüfungen durch, um sicherzustellen, dass keine Teile lose, beschädigt oder fehlen.
- Verwenden Sie für das Kinderbett keine andere als die mitgelieferte und vom Hersteller zugelassene Matratze.
- Wenn Sie eine andere Matratze als die mit dem Kinderbett verkaufte Matratze verwenden, stellen Sie bitte sicher, dass diese die richtige Dicke hat und für das Kinderbett geeignet ist. Die Dicke der Matratze muss so gewählt werden, dass die innere vertikale Höhe (Oberfläche der Matratze bis zur Oberkante der Bettseiten) in der höchsten Position des Bettgestells mindestens 200 mm beträgt.
- Wenn Sie eine andere Matratze als die mit dem Kinderbett verkaufte verwenden, müssen Länge und Breite so bemessen sein, dass der maximale Abstand zwischen der Matratze und den Seiten und Enden 30 mm nicht überschreitet.
- Die Neigung des Kinderbetts ist mit einem Abstand von maximal 2 Positionen zwischen einem Fuß und dem anderen zulässig.
- Der Kopf des Kindes sollte immer auf der höchsten Seite liegen.
- Benutzen Sie das Kinderbett NICHT, wenn Teile fehlen, beschädigt oder kaputt sind. Bitte kontaktieren Sie unsere Vertriebspartner. Ersetzen Sie KEINE Teile.
- Die Matratze im Elternbett sollte immer höher sein als die Seite des Kinderbetts. Wenn nicht, stellen Sie mithilfe des Verstellsystems sicher, dass die Höhe auf beiden Seiten stimmt.
- Das Kinderbett ist mit einem Befestigungssystem ausgestattet. Verwenden Sie kein anderes Befestigungssystem.
- Die Beistellbetten dürfen niemals in geneigter Position verwendet werden.
- Um eine Erstickungsgefahr durch Einklemmen zu vermeiden, muss das Beistellbett mithilfe des Befestigungssystems ordnungsgemäß am Erwachsenenbett befestigt werden. Zwischen der Unterseite des Beistellbetts und der Matratze des Erwachsenenbetts darf niemals ein Spalt vorhanden sein. Überprüfen Sie vor jedem Gebrauch den festen Sitz des Befestigungssystems, indem Sie das Beistellbett vom Erwachsenenbett wegziehen.
- Wenn zwischen dem Beistellbett und dem Erwachsenenbett eine Lücke besteht, verwenden Sie das Produkt NICHT.
- Lücken sollten nicht mit Kissen, Decken oder anderen Gegenständen gefüllt werden.

## ACHTUNG! Heben Sie die Bordwand immer vollständig an, wenn sie nicht am Bett des Erwachsenen befestigt ist.

- Nutzungsalter: 0–6 Monate, max. Gewicht 9kg.
- Das Produkt ist erst betriebsbereit, wenn die Verriegelungsmechanismen eingerastet sind.
- Stellen Sie vor der Verwendung sicher, dass sie sicher befestigt sind.
- Wenn Ihr Kind in der „Kinderbettkonfiguration“ unbeaufsichtigt im Produkt sitzt, stellen Sie stets sicher, dass die Seite angehoben und die Reißverschlüsse vollständig geschlossen sind.
- Benutzen Sie das Kinderbett nicht ohne Rahmen.
- Der Aufbau, das Auf- und Zuklappen des Produkts darf NUR durch einen Erwachsenen erfolgen!
- Erlauben Sie Kindern unter 3 Jahren NICHT, das Produkt vollständig zusammenzubauen, um den Zugang zu kleinen und zerlegten Teilen zu vermeiden!
- Eventuelle Kunststoffabdeckungen sollten entfernt, zerstört oder von Kindern ferngehalten werden, um Erstickungsgefahr zu vermeiden.
- Stellen Sie sicher, dass die Füße des Kinderbetts vollständig ausgezogen sind, wenn Sie es als eigenständiges Kinderbett verwenden.
- Benutzen Sie das Kinderbett nicht, wenn die Höhe Ihres Bettes weniger als 54 cm oder mehr als 65 cm über dem Boden liegt.
- Die Verwendung des Produkts ist nur bei Betten und/oder Matratzen mit geraden Seiten zulässig! Die Verwendung des Produkts mit runden Betten und/oder Matratzen oder Wasserbetten oder aufblasbaren Matratzen usw. ist NICHT ZULÄSSIG!
- Wenn das Produkt im „Co-Sleeping-Modus“ (Befestigung am Bett) verwendet wird, sollte es immer an der Längsseite des Zugangs zum Bett angebracht werden. Befestigen Sie das Produkt NICHT am Kopf- oder Fußende des Bettes!



## WICHTIG FÜR DIE SICHERHEIT IHRES KINDES!

- Die Funktion „Co-Sleeping“ ist NUR bei Bettentypen anwendbar, die alle oben und in diesem Absatz beschriebenen Bedingungen erfüllen! Insbesondere sollte die Seitenstütze des Kinderbetts immer nahe an der Matratze der Eltern platziert werden und die Matratze sollte immer auf die Höhe der Seitenstütze ausgerichtet sein, um das Kinderbett festzuhalten.
- Darüber hinaus muss das Kinderbett fest an der Struktur des Elternbetts oder an der Matratzenauflage (Netz oder Lattenrost) befestigt sein.
- Bei Verwendung des Produkts mit „Co-Sleeping-Funktion“ muss der Nachttisch mit dem Befestigungssystem ordnungsgemäß am Erwachsenenbett befestigt werden, um eine Erstickungsgefahr durch Einklemmen zu verhindern.

- Zwischen der Unterseite des Beistellbetts und der Matratze des Erwachsenenbetts darf niemals ein Spalt vorhanden sein.
- Überprüfen Sie vor jedem Gebrauch den festen Sitz des Befestigungssystems, indem Sie das Beistellbett vom Erwachsenenbett wegziehen.
- Wenn zwischen dem Beistellbett und dem Erwachsenenbett eine Lücke besteht, verwenden Sie das Produkt NICHT.
- Stellen Sie sicher, dass das Kinderbett im Co-Sleeping-Modus nicht das Bett der Eltern behindert.
- Die Matratze im Elternbett sollte immer höher sein als die Seite des Kinderbetts. Wenn nicht, stellen Sie mithilfe des Verstellsystems sicher, dass die Höhe auf beiden Seiten stimmt.
- Überprüfen Sie vor jedem Gebrauch immer, dass zwischen der Matratze des Elternbetts und der Wand des Kinderbetts kein Platz ist. Ziehen und spannen Sie das Befestigungssystem, bis der zulässige Zustand wiederhergestellt ist. Achten Sie bei jedem Absenken der Seitenwand darauf, dass sich die Position der Obermatratze nicht verändert!
- Wenn die Seitenwand des Kinderbetts abgesenkt ist, sollte es nur verwendet werden, wenn es am Elternbett befestigt ist.
- Benutzen Sie das Kinderbett mit abgesenkter Wand nur im Beischlafmodus.
- Wenn die Schwingweite zu groß ist, kann es zu Verletzungen des Kindes kommen.
- Aufgehängte Kinderbetten können eine Gefahr für andere Kinder darstellen.
- Andere Kinder können zusätzliche Risiken darstellen (z. B. durch übermäßiges Schwingen des Kinderbetts).
- Unebene Oberflächen können zur Instabilität des Produkts führen.
- Platzieren Sie hängende Kinderbetten so, dass keine Gefahr besteht, dass sie durch Schwingungen beeinträchtigt werden (z. B. besteht keine Gefahr, dass das Kind gegen den Rahmen des Kinderbetts stößt oder das Kinderbett gegen andere Möbel stößt).

## I. TEILE

1. Matratze; 2. Befestigungsgurt; 3. Oberer Handlauf; 4. Babywanne; 5. Höhenverstellhebel; 6. Rahmenbein; 7. Universalrad; 8. Verbindungselement; 9. Stützklammer aus Kunststoff; 10. Grundplatte;

## II. MONTAGE DES NACHTSCHLAFERS

- 2.1. Führen Sie das Querstützrohr in das Kunststoffgelenk ein, bis Sie ein Klickgeräusch hören.
- 2.2. Führen Sie das Halterungsrohr in die Kunststoffverbindung ein, bis Sie ein Klickgeräusch hören.
- 2.3. Führen Sie das Stützrohr in das Gelenk ein, bis Sie ein Klickgeräusch hören, und stecken Sie dann die Eisenstange in das Stubenwagenstiel.
- 2.4. Stecken Sie die Eisenstange in den Stoffbezug.
- 2.5. Die gestrichelt markierte Eisenstange sollte in der Abdeckung verborgen sein.
- 2.6-2.10 Führen Sie die Banddurchgänge durch das quadratische Loch und befestigen Sie sie fest im D-Ring.
- 2.11. Legen Sie die Matratze auf und halten Sie sie dann flach. Das Beistellbett ist vollständig installiert.

**NOTIZ! Das Babybett ist für Betten mit einer Mindesthöhe von 54 cm und einer Höchsthöhe von 65 cm geeignet.**

## III. SO ZERLEGEN SIE DIE BORDWAND

- 3.1. Öffnen Sie den Reißverschluss auf beiden Seiten des Geländers.
- 3.2. Drücken Sie den Knopf, wie durch den Pfeil auf dem Knopf angezeigt, und dann die obere Schiene nach oben.
- 3.3. Entfernen Sie die Enden des Geländers.
- 3.4. Nehmen Sie das Geländerrohr ab und legen Sie es flach hin.

**NOTIZ! Heben Sie die Bordwand immer vollständig an, wenn sie nicht am Bett des Erwachsenen befestigt ist!**

## IV. SO STELLEN SIE DIE HÖHE EIN

### HÖHENEINSTELLUNG

Um die Höhe des Kinderbetts zu ändern, drücken Sie die Höhenverstellhebel an beiden Enden des Kinderbetts und stellen Sie die Babywanne auf die gewünschte Höhe ein. Es stehen sieben Einstellungen für die Höhe des Kinderbetts zur Verfügung. Das Kinderbett ermöglicht die Einstellung einer unterschiedlichen Höhe an jedem seiner Enden.

**WARNUNG!** Die maximal zulässige Neigung der Babywanne beträgt einen Unterschied von zwei Einstellstufen. Bewahren Sie den Kopf des Babys immer am oberen Ende der Babywanne auf.

**WARNUNG!** Stellen Sie beim Einstellen der Höhenposition sicher, dass der Neigungswinkel der Stubenwagenbasis von Ende zu Ende (Kopf zu Füßen) nicht größer als 10° ist. Der Unterschied zwischen dem linken und rechten Höhenrad darf weniger als 2° betragen.

- 4.1. Heben Sie den Kunststoff-Höhenverstellgriff auf beiden Seiten an, dann kommt er höher.
- 4.2. Heben Sie den Kunststoff-Höhenverstellgriff auf beiden Seiten an und ziehen Sie dann das Nest nach unten, um es je nach Bedarf tiefer zu stellen.

## V. VERBINDUNG MIT DEM ERWACHSENENBETT

**WARNUNG!** Bei Verwendung der Nachttischfunktion muss das herunterklappbare Seitengitter entfernt und gut aufbewahrt werden.

**WARNUNG!** Bei der Befestigung des Nachtbetts muss die kurze Kante des Geländers eng an der Erwachsenenmatratze anliegen, um Lücken zu vermeiden.

**NOTIZ!** Bei Verwendung als Nachttisch muss der Boden der Babywanne parallel zum Boden sein. Zwischen den Enden des Kinderbetts darf kein Höhenunterschied bestehen.

**NOTIZ!** Stellen Sie vor jedem Gebrauch sicher, dass zwischen der Matratze des Erwachsenenbetts und der Seite des Kinderbetts kein Spalt besteht.

**WARNUNG!** Dieses Produkt kann nur mit Betten und/oder Matratzen verwendet werden, die gerade Kanten haben. Verwenden Sie dieses Produkt nicht bei abgerundeten Betten und/oder Matratzen oder bei Wasserbetten.

## DIE ART VON ERWACHSENENBETTEN, MIT DENEN DAS BEISTELLBETT VERWENDET WERDEN KANN ODER NICHT

**WARNUNG!** Das Befestigungssystem muss IMMER im Nachttischmodus verwendet werden:

- 5.4. Richten Sie das Kinderbett direkt neben dem Elternbett aus und führen Sie das Befestigungssystem unter der Matratze des Bettes und um den Bettrahmen herum.
  - 5.5. Sichern Sie das Befestigungssystem, indem Sie die Clipschnallen verbinden und zusammenführen. Ziehen Sie am Riemen, um das Befestigungssystem sicher am Bett zu befestigen.
  - 5.6. Matratze, Boxspringbett und Rahmen aufeinander abgestimmt; Akzeptable Bettbedingungen für Erwachsene für den Co-Schlafmodus (Bettrahmen in Reihe).
  - 5.7. Inakzeptable Bettbedingungen für Erwachsene für den Co-Schlafmodus (Bettrahmen nicht in Reihe).
- Nicht für den Einsatz neben Wasserbetten oder Kinderbetten geeignet.

- Stellen Sie das Beistellbett in Richtung Erwachsenenbett.
- Verbinden Sie das Beistellbett und das Erwachsenenbett mit einem Gurt. Der Gurt muss zwischen Matratze und Rahmen des Erwachsenenbetts platziert werden.

**WARNUNG!** Bei Verwendung der Nachttischfunktion muss das herunterklappbare Seitengitter entfernt und gut aufbewahrt werden.

**WARNUNG!** Bei der Befestigung des Nachttisches muss die kurze Kante des Geländers eng an der Erwachsenenmatratze anliegen, um Lücken zu vermeiden. Der Nachttisch kann nur für ausgerichtete Erwachsenenbetten verwendet werden. Dabei sollte der Abstand von der untersten Unterseite des ausgerichteten Erwachsenenbettes (der Bordwand) zum Boden mehr als 20 cm betragen.

- 5.2 Stellen Sie sicher, dass der Fuß das Bettseitenbrett erreicht.
- 5.3 Nicht für den Einsatz neben Wasserbetten oder Kinderbetten geeignet.

## NACHTBETTFUNKTION

5.1-5.3 Um das Produkt als Beistellbett zu verwenden, muss es umgebaut werden. Das Verfahren:

1. Reißverschlüsse an beiden Enden der faltbare öffnen.
2. Schieben Sie die Verriegelungen, um die Geländerhalterung zu lösen.
3. Klappen Sie die faltbare der Babywanne ab.
4. Stellen Sie das Kinderbett neben das Bett des Erwachsenen und stellen Sie die Höhe des Kinderbetts so ein, dass die Oberseite der Bettmatratze auf gleicher Höhe mit der Oberkante der faltbare liegt oder nicht mehr als 2 cm darüber liegt.
5. Führen Sie die Befestigungsgurte des Kinderbetts unter die Matratze des Bettes und haken Sie die Enden über den Bettrahmen des Erwachsenen auf der gegenüberliegenden Seite des Bettes ein. Die Enden müssen aufrecht zwischen Bettrahmen und Matratze liegen.
6. Befestigen Sie die Befestigungsgurte mit den Klammern am Kinderbett.
7. Ziehen Sie die Befestigungsgurte fest und stellen Sie sicher, dass das Kinderbett dadurch stabil bleibt fest mit dem Bett des Erwachsenen verbunden.

## VI. SO VERWENDEN SIE DIE BREMSE

- 6.1. Um die Räder des Kinderbetts zu blockieren, drücken Sie die Bremslaschen an jedem Rad nach unten.
- 6.2. Um die Räder zu lösen, heben Sie die Bremslaschen an.

## VII. REINIGUNG UND INSTANDHALTUNG

- Reinigen Sie die Metall- und Kunststoffteile mit einem feuchten Tuch und einem milden Reinigungsmittel.
- Verwenden Sie zum Reinigen Seifenwasser oder ein mildes Reinigungsmittel. Waschen Sie den Beutel von Hand mit Seifenwasser. Kein Bügeln. Nicht bleichen.
- Stellen Sie das Kinderbett NICHT in der Nähe von Heizgeräten auf, da dadurch der Kunststoff und die Stoffe beschädigt werden.
- Benutzen Sie das Kinderbett NICHT, wenn Teile fehlen, beschädigt oder kaputt sind. Bitte kontaktieren Sie unsere Vertriebspartner. Ersetzen Sie KEINE Teile.

Verwendete Materialien: Kunststoff, Textil, Metall

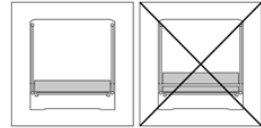
Produziert für Kika Group Ltd., Vasil Levski 121, Plovdiv, Bulgarien. In China hergestellt.  
Entspricht EN 1130:2019+AC:2020; EN 16890:2017+A1:2021.

## AVERTISSEMENT!

1. N'utilisez pas ce produit sans avoir d'abord lu les instructions d'utilisation.
2. Arrêtez d'utiliser le produit dès que l'enfant peut s'asseoir, s'agenouiller ou se relever.
3. Placer des éléments supplémentaires dans le produit peut provoquer une suffocation.
4. Ne placez pas le produit à proximité d'un autre produit, qui pourrait présenter un danger d'étouffement ou strangulation, par ex. cordes, cordons de stores / rideaux, etc.

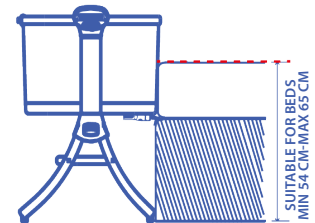
## AVERTISSEMENT!

1. N'utilisez pas plus d'un matelas dans le produit.
2. Le rail ne doit pas être plus haut que le matelas du lit adulte.
3. Pour éviter le risque d'étranglement de votre enfant, le système d'attache au lit de l'adulte doit toujours être éloigné et hors du berceau.
4. N'utilisez que le matelas vendu avec ce lit bébé, ne rajoutez pas de second matelas sur celui-ci, risques d'étouffement.
5. Soyez conscient du risque de feu ouvert et d'autres sources de forte chaleur, telles que des feux de barres électriques, etc. à proximité immédiate du lit (berceau et lit suspendu).



## LE PRODUIT DOIT ÊTRE PLACÉ SUR UN SOL HORIZONTAL.

- Les jeunes enfants ne doivent pas être autorisés à jouer sans surveillance à proximité du berceau.
- Le berceau doit être verrouillé en position fixe lorsque l'enfant est laissé sans surveillance.
- Toutes les ferrures d'assemblage doivent toujours être bien serrées et il faut veiller à ce qu'aucune vis ne soit desserrée, car un enfant pourrait se coincer des parties du corps ou des vêtements (par exemple, des ficelles, des colliers, des rubans pour les têtes, etc.) qui présenteraient un risque d'étranglement. Effectuez des vérifications de routine pour vous assurer qu'il n'y a pas de pièces desserrées, endommagées ou manquantes.
- N'utilisez pas de matelas pour le berceau différent de celui fourni avec le produit et approuvé par le fabricant.
- Si vous utilisez un matelas différent de celui vendu avec le berceau, veuillez vous assurer qu'il a la bonne épaisseur et qu'il convient au berceau. L'épaisseur du matelas choisi doit être telle que la hauteur verticale intérieure (surface du dessus du matelas jusqu'au bord supérieur des côtés du lit) soit d'au moins 200 mm dans la position la plus haute du sommier.
- Si vous utilisez un matelas différent de celui vendu avec le lit, la longueur et la largeur doivent être telles que l'écart maximum entre le matelas et les côtés et les extrémités ne dépasse pas 30 mm.
- L'inclinaison du berceau est autorisée avec un écart maximum de 2 positions entre un pied et l'autre.
- La tête de l'enfant doit toujours être placée du côté le plus haut.
- NE PAS utiliser le berceau si des pièces sont manquantes, endommagées ou brisées. Veuillez contacter nos distributeurs. DO PAS de pièces de rechange.
- Le matelas du lit des parents doit toujours être plus haut que le côté du berceau. Sinon, utilisez le système de réglage pour vous assurer que la hauteur est correcte des deux côtés.
- Le système de fixation est fourni avec le berceau. Ne pas utiliser d'autre système de fixation.
- Les traverses de chevet ne doivent jamais être utilisées en position inclinée.
- Pour éviter tout risque de suffocation dû au piégeage, la couchette de chevet doit être correctement fixée au lit adulte à l'aide du système de fixation. Il ne doit jamais y avoir d'espace entre le côté inférieur de la couchette de chevet et le matelas du lit adulte. Vérifiez l'étanchéité du système de fixation avant chaque utilisation en tirant la couchette de chevet dans une direction éloignée du lit adulte.
- S'il y a un espace entre le lit de chevet et le lit adulte, NE PAS utiliser le produit.
- Les vides ne doivent pas être remplis avec des oreillers, des couvertures ou d'autres articles.



## DANGER! Relevez toujours complètement le côté abaissable lorsqu'il n'est pas fixé au lit de l'adulte.

- Âge d'utilisation : 0-6 mois, Max. poids 9 kg.
- Le produit est prêt à l'emploi uniquement lorsque les mécanismes de verrouillage sont enclenchés.
- Assurez-vous qu'ils sont solidement fixés avant utilisation.
- Lorsque votre enfant est sans surveillance dans le produit en "Configuration berceau", assurez-vous toujours que le côté est relevé et que les fermetures éclair sont complètement fermées.
- Ne pas utiliser le corps du berceau sans son cadre.
- Assemblez, dépliez et pliez le produit UNIQUEMENT par un adulte!
- NE laissez PAS les enfants de moins de 3 ans jusqu'à ce qu'ils assemblent complètement le produit pour éviter l'accès aux petites pièces démontées!
- Tout couvercle en plastique doit être enlevé, détruit ou tenu à l'écart des enfants pour éviter la suffocation.
- Assurez-vous que les pieds du berceau sont complètement allongés lorsque vous l'utilisez comme berceau autonome.
- N'utilisez pas le berceau si la hauteur de votre lit est inférieure à 54 cm ou supérieure à 65 cm au-dessus du sol.
- L'utilisation du produit n'est autorisée qu'avec des lits et/ou des matelas à côtés droits! L'utilisation du produit avec des lits ronds et/ou des matelas ou des lits à eau ou des matelas gonflables, etc. N'EST PAS AUTORISÉE!
- Lorsque le produit est utilisé en mode "Co-Sleeping" (fixation au lit), il doit toujours être installé sur le côté long d'accès au lit. NE PAS fixer le produit à la tête ou au bas du lit!

## IMPORTANT POUR LA SÉCURITÉ DE VOTRE ENFANT!

- La fonction « Co-sleeping » est applicable UNIQUEMENT avec le type de lits qui remplissent toutes les conditions décrites ci-dessus et dans ce paragraphe! En

particulier, le support latéral du berceau doit toujours être placé près du matelas des parents et le matelas doit toujours être aligné avec la hauteur du support latéral pour la retenue du berceau.

- De plus, le berceau doit être solidement fixé à la structure du lit des parents ou au support du matelas (filet ou lattes).
- Lors de l'utilisation du produit avec la « fonction Co-sleeping », afin d'éviter tout risque de suffocation dû au piégeage, le dormeur de chevet doit être correctement fixé au lit de l'adulte à l'aide du système de fixation.
- Il ne doit jamais y avoir d'espace entre le côté inférieur de la couchette de chevet et le matelas du lit adulte.
- Vérifiez l'étanchéité du système de fixation avant chaque utilisation en tirant la couchette de chevet dans une direction éloignée du lit adulte.
- S'il y a un espace entre le lit de chevet et le lit adulte, NE PAS utiliser le produit.
- Assurez-vous que le berceau en mode co-sleeping n'interfère pas avec le lit des parents.
- Le matelas du lit des parents doit toujours être plus haut que le côté du berceau. Sinon, utilisez le système de réglage pour vous assurer que la hauteur est correcte des deux côtés.
- Avant chaque utilisation, vérifiez toujours qu'il n'y a pas d'espace entre le matelas du lit parent et la paroi du berceau. Tirez et serrez le système de fixation jusqu'à ce que l'état autorisé soit rétabli.
- Chaque fois que la paroi latérale est abaissée, vérifiez que la position du matelas parent n'est pas modifiée !
- Lorsque la paroi latérale du berceau est abaissée, elle ne doit être utilisée que lorsqu'elle est attachée au lit des parents.
- Utilisez le berceau avec le mur abaissé uniquement en mode co-sleeping.
- L'enfant peut se blesser si l'amplitude de la balançoire est excessive.
- Les berceaux suspendus peuvent présenter des risques pour les autres enfants.
- D'autres enfants peuvent présenter des risques supplémentaires (par exemple, en balançant excessivement le berceau).
- Des surfaces inégales peuvent provoquer une instabilité du produit.
- Placez les lits d'enfant suspendus de manière à ce qu'il n'y ait aucun risque d'impact de balancement (par exemple, aucun risque que l'enfant heurte le cadre du lit d'enfant ou que le lit d'enfant heurte d'autres meubles).

## I. PIÈCES

1. Matelas ; 2. Sangle de montage ; 3. Main courante supérieure ; 4. Nacelle; 5. Levier de réglage de la hauteur ; 6. Jambe de cadre ; 7. Roue universelle ; 8. Élément de connexion ; 9. Agrafe en plastique de support ; 10. Plaque de base ;

## II. ASSEMBLAGE DE LA COUCHETTE DE CHEVET

1. Insérez le tube de support transversal dans le joint en plastique jusqu'à ce que vous entendiez un déclic.
2. Insérez le tube du support dans le joint en plastique jusqu'à ce que vous entendiez un déclic.
- 2.3. Insérez le tube de support dans le joint jusqu'à ce que vous entendiez un déclic, puis insérez la tige de fer dans le berceau.
- 2.4. Insérez la tige de fer dans la housse en tissu.
- 2.5. La tige de fer marquée en pointillé doit être cachée dans le couvercle.
- 2.6-2.10 Faites passer le ruban dans le trou carré et fixez-le fermement dans l'anneau en D.
- 2.11. Placez le matelas puis maintenez-le à plat, le lit de chevet est entièrement installé.

**NOTE! Le lit bébé convient aux lits d'une hauteur minimale de 54 cm et d'une hauteur maximale de 65 cm.**

## III. COMMENT DÉMONTÉ LA RIDELLE

- 3.1. Décompressez la fermeture éclair des deux côtés du garde-corps.
- 3.2. Poussez le bouton comme indiqué par la flèche sur le bouton, puis vers le haut le rail supérieur.
- 3.3. Retirez les extrémités du garde-corps.
- 3.4. Retirez le tube du garde-corps et posez-le à plat.

**NOTE! Relevez toujours complètement la ridelle lorsqu'elle n'est pas fixée au lit adulte !**

## IV. COMMENT RÉGLER LA HAUTEUR

### RÉGLAGE DE LA HAUTEUR

Pour modifier la hauteur du berceau, appuyez sur les leviers de réglage de la hauteur situés aux deux extrémités du berceau et réglez la nacelle à la hauteur souhaitée. Sept réglages de hauteur de berceau sont disponibles. La crèche permet de régler une hauteur différente de chacune de ses extrémités.

**AVERTISSEMENT!** L'inclinaison maximale autorisée de la nacelle est une différence de deux niveaux de réglage. Gardez toujours la tête du bébé dans le berceau à l'extrémité supérieure de la nacelle.

**AVERTISSEMENT!** Lors du réglage de la position en hauteur, assurez-vous que l'angle d'inclinaison de la base de la nacelle d'un bout à l'autre (de la tête aux pieds) ne doit pas être supérieur à 10°. Or la différence entre les vitesses de hauteur gauche et droite doit être inférieure à 2°.

- 4.1. Soulevez la poignée de réglage de la hauteur en plastique des deux côtés, puis elle monte plus haut.
- 4.2. Soulevez la poignée de réglage de la hauteur en plastique des deux côtés, puis abaissez le nid, il s'abaisse selon vos besoins.

## V. CONNEXION AU LIT D'ADULTE

**AVERTISSEMENT!** Lors de l'utilisation de la fonction lit de chevet, le rail latéral rabattable doit être retiré et bien conservé.

**AVERTISSEMENT!** Lors de la fixation du lit de chevet, le bord court du garde-corps doit être étroitement ajusté au matelas adulte pour éviter tout vide.

**NOTE!** Lorsqu'elle est utilisée comme couchette de chevet, le fond de la nacelle doit être parallèle au sol. Il ne doit y avoir aucune différence de hauteur entre les extrémités du berceau.

**NOTE!** Avant chaque utilisation, assurez-vous qu'il n'y a pas d'espace entre le matelas du lit adulte et le côté du berceau.

**AVERTISSEMENT!** Ce produit ne peut être utilisé qu'avec des lits et/ou des matelas à bords droits. N'utilisez pas ce produit avec des lits et/ou des matelas arrondis ou avec des lits à eau.

## LE TYPE DE LITS ADULTES AVEC LESQUELS LE LIT DE CHEVET PEUT OU NE PEUT PAS ÊTRE UTILISÉ

**AVERTISSEMENT!** Le système d'attache doit TOUJOURS être utilisé en mode bedside sleeper :

- 5.4. Alignez le berceau directement à côté du lit des parents et passez le système de fixation sous le matelas du lit et autour du cadre du lit.
- 5.5. Fixez le système de fixation en connectant et en passant les boucles à clip ensemble. Tirez sur la sangle pour bien serrer le système de fixation au lit.
- 5.6. Matelas, sommiers et cadre alignés ; Conditions de lit adulte acceptables pour le mode co-sommeil (cadre de lit en ligne).
- 5.7. Conditions de lit adulte inacceptables pour le mode co-sommeil (cadre de lit non aligné).

Ne convient pas pour une utilisation à côté de lits à eau ou de lits d'enfants.

- Laissez le berceau de chevet vers le lit de l'adulte.
- Connectez le lit de chevet et le lit d'adulte avec une sangle, la sangle doit être placée entre le matelas et le cadre du lit d'adulte.

**AVERTISSEMENT!** Lors de l'utilisation de la fonction lit de chevet, le rail latéral rabattable doit être retiré et bien conservé.

**AVERTISSEMENT!** Lors de la fixation du lit de chevet, le bord court du garde-corps doit être étroitement ajusté au matelas adulte pour éviter tout vide. La couchette de chevet ne peut être utilisée que pour un lit adulte aligné. Pendant ce temps, la distance entre le côté inférieur le plus bas du lit adulte aligné (le côté abaissable) et le sol doit être supérieure à 20 cm.

- 5.2 Assurez-vous que le pied atteint le panneau latéral du lit.
- 5.3 Ne convient pas à une utilisation à côté de lits à eau ou de lits d'enfants.

## FONCTION DE COUCHETTE DE CHEVET

5.1-5.3 Pour utiliser le produit comme couchette de chevet, il doit être converti. La procédure:

1. Défaites les fermetures éclair aux deux extrémités du côté rabattable .
2. Faites glisser les verrous pour libérer le dispositif de retenue de la rampe.
3. Abaissez le côté rabattable de la nacelle.
4. Placez le berceau à côté du lit de l'adulte et réglez la hauteur du berceau de manière à ce que le dessus du matelas du lit soit au niveau - ou pas à plus de 2 cm au-dessus - du bord supérieur du côté pliant.
5. Passez les sangles de montage du berceau sous le matelas du lit et accrochez les extrémités sur le cadre du lit de l'adulte du côté opposé du lit. Les extrémités doivent être droites entre le sommier et le matelas.
6. Fixez les sangles de montage au berceau à l'aide des fermoirs.
7. Serrez les sangles de montage et assurez-vous que cela maintient le berceau stable et fermement attaché au lit de l'adulte.

## VI. COMMENT UTILISER LE FREIN

- 6.1. Pour verrouiller les roues du berceau, appuyez sur les languettes de frein sur chacune des roues.
- 6.2. Pour libérer les roues, soulevez les languettes de frein.

## VII. NETTOYAGE ET ENTRETIEN

- Nettoyez les pièces en métal et en plastique avec un chiffon humide et un détergent doux.
- Pour nettoyer, utilisez de l'eau savonneuse ou un détergent doux. Lavez le sac à la main avec de l'eau savonneuse. Ne pas repasser. Ne pas javelliser.
- NE placez PAS le lit à proximité d'appareils de chauffage car cela endommagerait le plastique et les tissus.
- NE PAS utiliser le berceau si des pièces sont manquantes, endommagées ou brisées. Veuillez contacter nos distributeurs. DO PAS de pièces de rechange.

Matériaux utilisés : Plastique, textile, métal

**Produit pour Kika Group Ltd., Vasil Levski 121, Plovdiv, Bulgarie. Fabriqué en Chine. Conforme à EN 1130:2019+AC:2020 ; EN 16890:2017+A1:2021.**

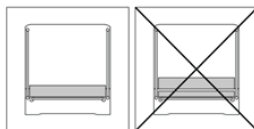
## WAARSCHUWING!

1. Gebruik dit product niet zonder eerst de gebruiksaanwijzing te lezen.
2. Stop met het gebruik van het product zodra het kind kan zitten of knielen of zichzelf kan optrekken.
3. Het plaatsen van extra items in het product kan verstikking veroorzaken.
4. Plaats het product niet in de buurt van een ander product, dit kan verstikkingsgevaar opleveren of wurging, b.v. koorden, jaloezie-/gordjinkoorden, etc.



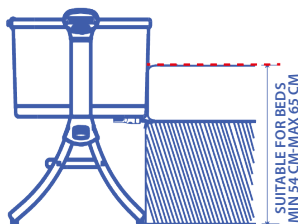
## WAARSCHUWING!

1. Gebruik niet meer dan één matras in het product.
2. De rail mag niet hoger zijn dan de matras van het volwassen bed.
3. Om te voorkomen dat uw kind wordt gewurgd, moet het bevestigingssysteem aan het bed van de volwassene altijd uit de buurt van en uit de wieg worden gehouden.
4. Gebruik alleen het matras dat bij dit kinderbedje wordt verkocht, plaats geen tweede matras op dit matras, verstikkingsgevaar.
5. Houd rekening met het risico van open vuur en andere sterke hittebronnen, zoals elektrische staafhaarden etc. in de directe omgeving van het ledikant (wieg en hangbed).



## HET PRODUCT MOET OP EEN HORIZONTALE VLOER WORDEN GEPLAATST.

- Jonge kinderen mogen niet zonder toezicht in de buurt van de wieg spelen.
- De wieg moet in de vaste positie worden vergrendeld wanneer het kind onbeheerd wordt achtergelaten.
- Alle montagebeslag moet altijd goed worden vastgedraaid en er moet op worden gelet dat er geen schroeven los zitten, omdat een kind delen van het lichaam of kleding kan beknellen (bijv. Wurging. Voer routinecontroles uit om er zeker van te zijn dat er geen losse, beschadigde of ontbrekende onderdelen zijn).
- Gebruik geen andere matras voor de wieg dan deze, geleverd bij het product en goedgekeurd door de fabrikant.
- Als u een ander matras gebruikt dan het matras dat bij de wieg wordt geleverd, zorg er dan voor dat deze de juiste dikte heeft en geschikt is voor de wieg. De dikte van de gekozen matras moet zodanig zijn dat de interne verticale hoogte (oppervlak van de bovenkant van de matras tot de bovenrand van de bedzijkanten) in de hoogste stand van de bedbodem ten minste 200 mm bedraagt.
- Als u een ander matras gebruikt dan het matras dat bij het kinderbedje wordt geleverd, moeten de lengte en breedte zodanig zijn dat de maximale opening tussen de matras en de zijkanten en uiteinden niet groter is dan 30 mm.
- De helling van de wieg is toegestaan met een maximale opening van 2 posities tussen de ene voet en de andere.
- Het hoofd van het kind moet altijd aan de hoogste kant worden geplaatst.
- Gebruik de wieg NIET als er onderdelen ontbreken, beschadigd of kapot zijn. Neem dan contact op met onze distributeurs. DO GEEN vervangende onderdelen.
- Het matras van het ouderbed moet altijd hoger zijn dan de zijkant van de wieg. Zo niet, gebruik dan het verstelsysteem om ervoor te zorgen dat de hoogte aan beide zijden correct is.
- Bevestigingssysteem wordt bij de wieg geleverd. Gebruik geen ander bevestigingssysteem.
- De aanschuifbedjes mogen nooit in een schuine stand worden gebruikt.
- Om verstikkingsgevaar door beknelling te voorkomen, moet de bedzislaper goed worden vastgemaakt aan het bed voor volwassenen met behulp van het bevestigingssysteem. Er mag nooit een opening zijn tussen de onderkant van de bedzislaper en de matras van het bed voor volwassenen. Controleer voor elk gebruik of het bevestigingssysteem goed vast zit door het aanschuifbed in een richting weg van het bed voor volwassenen te trekken.
- Gebruik het product NIET als er een opening is tussen het bed naast het bed en het bed voor volwassenen.
- Gaten mogen niet worden opgevuld met kussens, dekens of andere voorwerpen.



## GEVAAR! Breng de boordwand altijd volledig omhoog wanneer deze niet aan het bed van de volwassene is bevestigd.

- Leeftijd van gebruik : 0-6 maanden , Max. gewicht 9kg.
- Het product is pas klaar voor gebruik als de vergrendelingsmechanismen zijn ingeschakeld.
- Zorg ervoor dat ze goed vastzitten voor gebruik.
- Zorg er altijd voor dat de zijkant omhoog staat en de ritsen volledig gesloten zijn wanneer uw kind zonder toezicht in het product in "wiegconfiguratie" zit.
- Gebruik de romp van de wieg niet zonder frame.
- Monteer, ontvouw en vouw het product UITSLUITEND door een volwassene!
- Laat kinderen onder de 3 jaar NIET toe totdat het product volledig is gemonteerd om toegang tot kleine en gedemonteerde onderdelen te voorkomen!
- Elke plastic hoes moet worden verwijderd, vernietigd of uit de buurt van kinderen worden gehouden om verstikking te voorkomen.
- Zorg ervoor dat de voeten van de wieg volledig verlengd zijn bij gebruik als een op zichzelf staande wieg.
- Gebruik de wieg niet als de hoogte van uw bed minder is dan 54 cm of meer dan 65 cm boven de vloer.
- Gebruik van het product is alleen toegestaan bij bedden en/of matrassen met rechte zijkanten! Gebruik van het product met ronde bedden en/of matrassen of waterbedden of opblaasbare matras etc. IS NIET TOEGESTAAN!
- Wanneer het product wordt gebruikt in de "Co-Sleeping-modus" (bevestiging aan het bed), moet het altijd aan de lange zijde van de toegang tot het bed worden gemonteerd. Bevestig het product NIET aan het hoofdende of de onderkant van het bed!

## BELANGRIJK VOOR DE VEILIGHEID VAN UW KIND!

- De functie "Co-sleeping" is ENKEL van toepassing op het type bedden dat voldoet aan alle hierboven en in deze paragraaf beschreven voorwaarden! Met name de zijsteun van de wieg moet altijd dicht bij het matras van de ouder worden geplaatst en de matras moet altijd worden uitgelijnd met de hoogte van de zijsteun om de wieg op zijn plek te houden.
- Bovendien moet de wieg stevig vastgemaakt worden aan de structuur van het bed van de ouders of aan de matrasbodem (net of lattenbodem).
- Om verstikkingsgevaar door beknelling te voorkomen, moet de zislaper bij gebruik van het product in de "Samenslaapfunctie" goed aan het bed voor volwassenen worden vastgemaakt met behulp van het bevestigingssysteem.
- Er mag nooit een opening zijn tussen de onderkant van de zislaper en de matras van het bed voor volwassenen.
- Controleer voor elk gebruik of het bevestigingssysteem goed vast zit door het aanschuifbed in een richting weg van het bed voor volwassenen te trekken.
- Gebruik het product NIET als er een opening is tussen het bed naast het bed en het bed voor volwassenen.
- Controleer of de wieg in de co-sleeping-modus het bed van de ouders niet hindert.
- Het matras van het ouderbed moet altijd hoger zijn dan de zijkant van de wieg. Zo niet, gebruik dan het verstelsysteem om ervoor te zorgen dat de hoogte aan beide zijden correct is.
- Controleer voor elk gebruik altijd of er geen ruimte is tussen het matras van het ouderbed en de wand van de wieg. Trek aan het bevestigingssysteem en draai het vast totdat de toegestane toestand is hersteld.
- Controleer bij het neerlaten van de zijwand of de positie van het oudermatras niet verandert!
- Wanneer de zijwand van de wieg is neergelaten, mag deze alleen worden gebruikt wanneer deze aan het bed van de ouders is bevestigd.
- Gebruik de wieg alleen met neergelaten wand in co-sleeping-modus.
- Het kind kan gewond raken als de amplitude van de schommel te groot is.
- Hangende wiegjes kunnen risico's opleveren voor andere kinderen.
- Andere kinderen kunnen extra risico's opleveren (bijvoorbeeld door het wiegje te veel te slingeren).
- Ongelijke oppervlakken kunnen instabiliteit van het product veroorzaken.
- Plaats hangende wiegjes zodanig dat er geen risico bestaat dat ze door de schommel worden geraakt (bijv. geen risico dat het kind het bedframe raakt of dat de wieg andere meubels raakt).

## I. ONDERDELEN

1. Matras; 2. Montageriem; 3. Bovenste leuning; 4. Reiswieg; 5. Hendel voor hoogterstelling; 6. Framepoet; 7. Universeel wiel; 8. Verbindingslement; 9. Ondersteunende plastic clip; 10. Grondplaat;

## II. MONTAGE VAN DE BIJSLAAFMACHINE

- 2.1. Steek de dwarse steunbuis in de kunststof voeg totdat u een klinkgeluid hoort.
- 2.2. Steek de beugelbuis in de plastic verbinding totdat u een klinkgeluid hoort.
- 2.3. Steek de steunbuis in het scharnier totdat u een klinkgeluid hoort en steek dan een ijzeren staaf in de wiegset.
- 2.4. Steek de ijzeren staaf in de stoffen hoes.
- 2.5. De ijzeren staaf die in stippellijn is gemarkeerd, moet in het deksel worden verborgen.
- 2.6-2.10 Steek het lint door het vierkante gat en bevestig het stevig in de D-ring.
- 2.11. Plaats het matras en houd het plat, het aanschuifbed is volledig geïnstalleerd.

**OPMERKING! Het babybedje is geschikt voor bedden met een minimale hoogte van 54 cm en een maximale hoogte van 65 cm.**

## III. HOE DE BOORDWAND TE DEMONTEREN

- 3.1. Rits de rits aan beide zijden van de reling open.
- 3.2. Druk op de knop zoals aangegeven door de pijl op de knop en vervolgens omhoog op de bovenrail.
- 3.3. Verwijder de uiteinden van de vangrail.
- 3.4. Haal de vangrailbuis naar beneden en leg deze plat neer.

**OPMERKING! Til de boordwand altijd volledig op als deze niet aan het bed van de volwassene is bevestigd!**

## IV. HOE DE HOOGTE AAN TE PASSEN

### HOOGTE INSTELLING

Om de hoogte van de wieg te veranderen, drukt u op de hoogterstellingshendels aan beide uiteinden van de wieg en zet u de reiswieg op de gewenste hoogte. Er zijn zeven wieghoogte-instellingen beschikbaar. De wieg maakt het mogelijk om elk van de uiteinden op een andere hoogte in te stellen.

**WAARSCHUWING!** De maximaal toegestane kanteling van de reiswieg is een verschil van twee standen. Houd het hoofdje van de baby altijd in de wieg op het hogere uiteinde van de reiswieg.

**WAARSCHUWING!** Zorg er bij het aanpassen van de hoogterpositie voor dat de hellingshoek van de basis van de wieg van begin tot eind (hoofd tot voeten) niet groter is dan 10°. Het hoogteverschil tussen de linker en rechter versnellingen moet kleiner zijn dan 2°.

- 4.1. Til de plastic hoogterstellingshendel aan beide kanten op, dan komt hij hoger.
- 4.2. Til de plastic hoogterstellhendel aan beide kanten op en trek dan het nest naar beneden, het komt lager als je nodig hebt.

## V. VERBINDEN MET HET BED VAN VOLWASSENEN

**WAARSCHUWING!** Bij gebruik van de nachtbedfunctie moet het neerklapbare zijhek worden verwijderd en goed worden bewaard.

**WAARSCHUWING!** Bij het bevestigen van het bed naast het bed moet de korte rand van de leuning nauw aansluiten op de matras voor volwassenen om openingen te voorkomen.



**OPMERKING!** Bij gebruik als aanschuifbed moet de onderkant van de reiswieg evenwijdig aan de grond zijn. Er mag geen hoogteverschil zijn tussen de uiteinden van de wieg.

**OPMERKING!** Controleer voor elk gebruik of er geen opening is tussen de matras van het bed van de volwassene en de zijkant van de wieg.

**WAARSCHUWING!** Dit product kan alleen worden gebruikt met bedden en/of matrassen met rechte randen. Gebruik dit product niet met bedden en/of matrassen die rond zijn of met waterbedden.

Het type volwassen bedden waarbij de aanschuifbed WEL WEL NIET WORDT GEBRUIKT

**WAARSCHUWING!** Het bevestigingssysteem moet ALTIJD worden gebruikt in bedmodus:

- 5.4. Lijn de wieg direct naast het ouderbed uit en haal het bevestigingssysteem onder de matras van het bed door en rond het bedframe.
  - 5.5. Zet het bevestigingssysteem vast door de clipgespen met elkaar te verbinden en door elkaar te halen. Trek aan de riem om het bevestigingssysteem stevig aan het bed vast te maken.
  - 5.6. Matras, Boxsprings & Frame uitgelijnd; Aanvaardbare bedcondities voor volwassenen voor co-slapen (bedframe in-line).
  - 5.7. Onaanvaardbare bedcondities voor volwassenen voor co-slapen (bedframe niet in lijn).
- Niet geschikt voor gebruik naast waterbedden of kinderbedden.

- Laat de wieg naast het bed in de richting van het bed van de volwassene staan.
- Verbind het ledikantje en het bed voor volwassenen met een riem, de riem moet tussen de matras en het frame van het bed voor volwassenen worden geplaatst.

**WAARSCHUWING!** Bij gebruik van de nachtbedfunctie moet het neerklapbare zijhek worden verwijderd en goed worden bewaard.

**WAARSCHUWING!** Bij het bevestigen van het bed naast het bed moet de korte rand van de leuning nauw aansluiten op de matras voor volwassenen om openingen te voorkomen. De aanschuifbed kan alleen worden gebruikt voor een uitgelijnd bed voor volwassenen. Ondertussen moet de afstand van de laagste onderkant van het uitgelijnde bed voor volwassenen (de neerklapbare kant) tot de grond meer dan 20 cm zijn.

5.2 Zorg ervoor dat de voet de bedrand bereikt.

5.3 Niet geschikt voor gebruik naast waterbedden of kinderbedden.

## SLAAPFUNCTIE NAAST BED

5.1-5.3 Om het product als bed naast het bed te gebruiken, moet het worden omgebouwd. De procedure:

1. Maak de ritzen aan beide uiteinden van de vouwzijde los.
2. Verschuif de vergrendelingen om de relinghouder los te maken.
3. Laat de opklapbare kant van de reiswieg zakken.
4. Plaats de wieg aan de zijkant van het bed van de volwassene en stel de hoogte van de wieg zo in dat de bovenkant van het matras van het bed gelijk ligt met - of niet meer dan 2 cm boven - de bovenrand van de vouwzijde.
5. Leid de bevestigingsriemen van de wieg onder de matras van het bed en haak de uiteinden over het bedframe van de volwassene aan de andere kant van het bed. De uiteinden moeten recht staan tussen het bedframe en de matras.
6. Bevestig de bevestigingsriemen aan de wieg met behulp van de gespen.
7. Span de bevestigingsriemen aan en zorg ervoor dat dit de wieg stabiel en stabiel houdt stevig bevestigd aan het bed van de volwassene.

## VI. HOE DE REM TE GEBRUIKEN

- 6.1. Om de wiegwiel te vergrendelen, drukt u de remlijpjes op elk van de wielen naar beneden.
- 6.2. Til de remlijpjes op om de wielen los te maken.

## VII. REINIGING EN ONDERHOUD

- Reinig de metalen en kunststof onderdelen met een vochtige doek en een mild schoonmaakmiddel.
- Gebruik zeepsop of een zacht reinigingsmiddel om schoon te maken. Was de zak met de hand met zeepsop. Niet strijken. Niet bleken.
- Plaats het bedje NIET in de buurt van verwarmingstoestellen omdat dit het plastic en de stoffen zal beschadigen.
- Gebruik de wieg NIET als er onderdelen ontbreken, beschadigd of kapot zijn. Neem dan contact op met onze distributeurs. DO GEEN vervangende onderdelen.

Gebruikte materialen: kunststof, textiel, metaal

Geproduceerd voor Kika Group Ltd., Vasil Levski 121, Plovdiv, Bulgarije. Gemaakt in China.  
Voldoet aan EN 1130:2019+AC:2020; EN 16890:2017+A1:2021.

## VAROITUS!

1. Älä käytä tätä tuotetta lukematta ensin käyttöohjeet.
2. Lopeta tuotteen käyttö heti, kun lapsi voi istua, polvistua tai nousta ylös.
3. Ylimääräisten esineiden asettaminen tuotteeseen voi aiheuttaa tukehtumisen.
4. Älä aseta tuotetta lähelle muita tuotteita, jotka voivat aiheuttaa tukehtumisvaaran kuristus, esim. narut, kaihtimien / verhojen nyörit jne.

## VAROITUS!

1. Älä käytä tuotteessa useampaa kuin yhtä patjaa.
2. Kaide ei saa olla korkeampi kuin aikuisen sänkytätä.
3. Lapsesi kuristumisvaaran välttämiseksi on kiinnitysjärjestelmä aikuisen sängyn aina pidettävä poissa pinnasängystä.
4. Käytä vain tämän pinnasängyn kanssa myytävää patjaa, älä lisää tähän toista patjaa, tukehtumisvaara.
5. Ole tietoinen avoimen tulen ja muiden voimakkaan lämmönlähteiden, kuten sähköpalojen jne., vaarasta pinnasängyn (sängyn ja ripustetun sängyn) läheisyydessä.

## TUOTE TULEE SIIJOITTA AAKASUORALLE LATTIALLE.

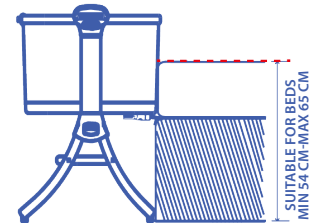
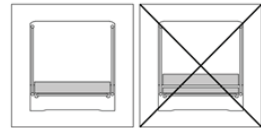
- Pienten lasten ei tule antaa leikkiä ilman valvontaa pinnasängyn läheisyydessä.
- Sängyn tulee olla lukittuna kiinteään asentoon, kun lapsi jätetään ilman valvontaa.
- Kaikki asennuskiinnikkeet on aina kiristettävä kunnolla ja varottava ettei ruuveja ole löysällä, koska lapsi voi jäädä puristuksiin ruumiinosia tai vaatteita (esim. naruja, kaulakoruja, vauvojen nukkeja koskevia nauhoja jne.), jotka aiheuttavat vaaran kuristus. Suorita rutiinitarkastuksia varmistaaksesi, ettei ole löystyneitä, vaurioita tai puuttuvia osia.
- Älä käytä sängyn patjaa muuta kuin tämän tuotteen mukana toimitettua ja valmistajan hyväksymää patjaa.
- Jos käytät eri patjaa kuin myytävänä pinnasängyn kanssa, varmista, että se on sopivan paksuinen ja sopii vauvasängyn kanssa. Patjan paksuuden tulee olla sellainen, että sisäkorkeus (patjan yläosan pinta sängyn sivujen yläreunaan) on vähintään 200 mm sängyn pohjan korkeimmassa asennossa.
- Jos käytät erilaista patjaa kuin vauvasängyn mukana myytävä, on patjan pituuden ja leveyden oltava sellaiset, että patjan ja sivujen ja päiden välinen enimmäisrako ei ylitä 30 mm.
- Pinnasängyn kaltevuus on sallittu enintään 2 asennon jalan välissä.
- Lapsen päätä tulee aina olla korkeimmalla puolella.
- ÄLÄ käytä pinnasänkyä, jos jokin osa puuttuu, on vaurioitunut tai rikki. Ole hyvä ja ota yhteyttä jälleenmyyjiiimme. ÄLÄ korvaa osia.
- Vanhemman sängyn patjan tulee aina olla korkeammalla kuin pinnasängyn sivu. Jos ei, käytä säätöjärjestelmää varmistaaksesi, että korkeus on oikea molemmilla puolilla.
- Kiinnitysjärjestelmä toimitetaan pinnasängyn mukana. Älä käytä muita kiinnitysjärjestelmiä.
- Vuoteen vieressä olevia ratapölkkyjä ei saa koskaan käyttää kaltevassa asennossa.
- Tukehtumisvaaran juuttumisen estämiseksi vuodesänky tulee kiinnittää aikuisen sängyn kiinnitysjärjestelmän avulla. Vuoteen alareunan ja aikuisen sängyn patjan välillä ei saa koskaan olla rakoja. Tarkista kiinnitysjärjestelmän kireys ennen jokaista käyttökertaa vetämällä vuodesänkyä aikuisen sängystä pois päin.
- ÄLÄ käytä tuotetta, jos sängyn ja aikuisen sängyn välillä on rakoja.
- Aukkoja ei saa täyttää tyynyillä, peitoilla tai muilla esineillä.

## VAARA! Nosta laskupuoli aina kokonaan ylös, kun et ole kiinnitetty aikuisen sängyyn.

- Käyttöikä: 0-6 kuukautta, max. paino 9kg.
- Tuote on käyttövalmis vain, kun lukitusmekanismit on kytketty.
- Varmista ennen käyttöä, että ne on kiinnitetty kunnolla.
- Kun lapsesi on ilman valvontaa tuotteessa "Sängyn kokoonpano", varmista aina, että sivu on ylhäällä ja vetoketjut ovat kokonaan kiinni.
- Älä käytä pinnasängyn runkoa ilman sen kehystä.
- VAIN aikuinen kokoa, avaa ja taita tuotteen!
- ÄLÄ anna alle 3-vuotiaiden lasten koota tuotetta kokonaan, jotta ne eivät pääse käsiksi pieniin ja irrotettuihin osiin!
- Kaikki muovisuojuukset tulee poistaa, tuhota tai pitää poissa lasten ulottuvilta tukehtumisen välttämiseksi.
- Varmista, että pinnasängyn jalat ovat täysin pidennetyt, kun käytät sitä erillisenä pinnasänkyinä.
- Älä käytä pinnasänkyä, jos sängyn korkeus on alle 54 cm tai yli 65 cm lattian yläpuolella.
- Tuotteen käyttö on sallittu vain suorasivuisen vuoteiden ja/tai patjojen kanssa! Tuotteen käyttö pyöreiden vuoteiden ja/tai patjan tai vesisängyn tai puhallettavan patjan jne. kanssa EI SALLITTU!
- Kun tuotetta käytetään "Co-Sleeping-tilassa" (kiinnitys sängyyn), se tulee aina asentaa sängyn pitkälle sivulle. ÄLÄ kiinnitä tuotetta sängyn päähän tai pohjaan!

## TÄRKEÄÄ LAPSESI TURVALLISUUDELLE!

- Yhdessä nukkuminen -toiminto on käytettävissä VAIN sellaisilla sänkytyypeillä, jotka täyttävät kaikki yllä ja tässä kappaleessa kuvatut ehdot! Erityisesti pinnasängyn sivutuki tulee aina asettaa lähelle vanhemman patjaa ja patja tulee aina olla samassa linjassa sivutuen korkeuden kanssa sängyn hillitsemiseksi.
- Lisäksi pinnasänky on kiinnitettävä tukevasti vanhempien sängyn rakenteeseen tai patjan tukeen (verko tai säleet).
- Käytettäessä tuotetta "Yhteisnukkumistilassa" tukehtumisvaaran estämiseksi vuodesohva on kiinnitettävä kunnolla aikuisen sängyn kiinnitysjärjest-



# FI TÄRKEÄ! SÄILYTÄ TULEVAA KÄYTTÖÄ VARTEN! LUE HUOLELLISESTI!

- elmän avulla.
- Sängyn alareunan ja aikuisen sängyn patjan välillä ei saa koskaan olla rakoa.
- Tarkista kiinnitysjärjestelmän kireys ennen jokaista käyttökertaa vetämällä vuodesänkyä aikuisen sängystä poispäin.
- ÄLÄ käytä tuotetta, jos sängyn ja aikuisen sängyn välillä on rakoa.
- Varmista, että sänkyyn nukkuva sänky ei häiritse vanhempien sänkyä.
- Vanhemman sängyn patjan tulee aina olla korkeammalla kuin pinnasängyn sivu. Jos ei, käytä säätöjärjestelmää varmistaaksesi, että korkeus on oikea molemmilla puollilla.
- Tarkista aina ennen jokaista käyttökertaa, että vanhempairsängyssä olevan patjan ja pinnasängyn seinän välissä ei ole tilaa. Vedä ja kiristä kiinnitysjärjestelmää, kunnes sallittu tila palautuu.
- Aina kun sivuseinä lasketaan, tarkista, ettei yläpatjan asentoa ole muutettu!
- Kun pinnasängyn sivuseinä on laskettu alas, sitä tulee käyttää vain, kun se on kiinnitetty vanhemman sänkyyn.
- Käytä pinnasänkyä seinää laskettuna vain yhteisnukkumistilassa.
- Lapsi voi loukkaantua, jos keinojen amplitudi on liian suuri.
- Ripustettavat pinnasängyt voivat aiheuttaa riskejä muille lapsille.
- Muut lapset voivat aiheuttaa lisäriskejä (esim. heiluttamalla pinnasänkyä liikaa).
- Epätasaiset pinnat voivat aiheuttaa tuotteen epävakautta.
- Sijoita ripustetut pinnasängyt siten, että heilunnan vaaraa ei ole (esim. ei ole vaaraa, että lapsi osuu pinnasängyn runkoon tai pinnasänky osuu muihin huonekaluihin).

## I. OSAT

1. Patja; 2. Kiinnityshihna; 3. Yläkaide; 4. Kantokoppa; 5. Korkeuden säätövipu; 6. Rungon jalka; 7. Yleispyörä; 8. Liitoselementti; 9. Tukeva muovipidike; 10. Pohjalevy;

## II. VUODEN MUKAAN KOKOAMINEN

- 2.1. Työnnä poikittainen tukiputki muoviliitokseen, kunnes kuulet napsahduksen.
- 2.2. Työnnä kannattimen putki muoviliittimeen, kunnes kuulet napsahduksen.
- 2.3. Työnnä tukiputki liitokseen, kunnes kuulet napsahduksen, ja työnnä sitten rautatanko pesäsarjaan.
- 2.4. Aseta rautatanko kangaskanteen.
- 2.5. Katkoviivalla merkitty rautatanko tulee piilottaa kanteen.
- 2.6-2.10 Laita nauhan kulkevat neliömäisen reiän läpi ja kiinnitä tiukasti D-renkaaseen.
- 2.11. Aseta patja ja pidä se tasaisena, vuodesänky on täysin asennettu.

**HUOMAUTUS! Vauvansänky sopii sänkyihin, joiden vähimmäiskorkeus on 54 cm ja maksimikorkeus 65 cm.**

## III. KUINKA PURKAA PUDOTUSPUOLI

- 3.1. Avaa vetoketju suojakaiteen molemmilta puolilta.
- 3.2. Paina painiketta painikkeessa olevan nuolen osoittamalla tavalla ja sitten ylöspäin yläkiskoa.
- 3.3. Irrota suojakaiteen päät.
- 3.4. Irrota suojakaiteen putki ja aseta se tasaisesti.

**HUOMAUTUS! Nosta pudotuspuoli aina kokonaan ylös, kun et ole kiinnitetty aikuisen sänkyyn!**

## IV. KUINKA SÄÄTÄÄ KORKEUTTA

KORKEUDEN ASETUS

Muuttaaksesi pinnasängyn korkeutta, paina pinnasängyn molemmissa päissä olevia korkeudensäätövipuja ja aseta kantokoppa halutulle korkeudelle. Tarjolla on seitsemän sängyn korkeusasetusta. Seimi mahdollistaa eri korkeuden säätämisen jokaiselle sen päädylle.

**VAROITUS!** Pinnasängyn kantokopan suurin sallittu kallistus on kahden asetustason ero. Pidä vauvan pää aina pinnasängyssä kantokopan yläpäässä.

**VAROITUS!** Kun säädät korkeusasettoa, varmista, että pesän jalustan kaltevuuskulma (pää jalkoihin) ei saa olla suurempi kuin 10°.0r, vasemman ja oikean vaihteen välinen korkeusero on pienempi kuin 2°.

- 4.1. Nosta muovista korkeudensäätökahvaa molemmilta puolilta, niin se nousee korkeammalle.
- 4.2. Nosta muovista korkeudensäätökahvaa molemmilta puolilta ja vedä sitten pesä alas, se laskeutuu tarpeen mukaan.

## V. YHTEYDET AIKUISTEN SÄNGYSEEN

**VAROITUS!** Kun käytät sänkytoimintoa, pudotettava sivukaide on poistettava ja pidettävä hyvin.

**VAROITUS!** Vuodesänkyä kiinnitettäessä lyhyt suojakaiteen reuna on sovittettava tiiviisti aikuisen patjan kanssa välyksen välttämiseksi.

**HUOMAUTUS!** Vuoteen sänkyä käytettäessä kantokopan pohjan tulee olla yhdensuuntainen maan kanssa. Sängyn päiden välillä ei saa olla korkeuseroa.

**HUOMAUTUS!** Varmista ennen jokaista käyttökertaa, ettei aikuisen sänkypatjan ja pinnasängyn sivun välissä ole rakoa.

**VAROITUS!** Tätä tuotetta voidaan käyttää vain suorareunaisten vuoteiden ja/tai patjojen kanssa. Älä käytä tätä tuotetta pyöristettyjen vuoteiden ja/tai patjojen tai vesipatjojen kanssa.

# FI TÄRKEÄ! SÄILYTÄ TULEVAA KÄYTTÖÄ VARTEN! LUE HUOLELLISESTI!

## TYYPPI AIKUISTEN SÄNGYT, JOIDEN KANSSA VUODESÄNKYÄ VOI TAI EI VOI KÄYTTÄÄ

**VAROITUS!** Kiinnitysjärjestelmää tulee AINA käyttää sängyn vieressä nukkuvassa tilassa:

5.4 Kohdista pinnasänky suoraan vanhemman sängyn viereen ja vie kiinnitysjärjestelmä sängyn patjan alle ja sängyn rungon ympärille.

5.5. Kiinnitä kiinnitysjärjestelmä yhdistämällä ja viemällä pidikkeen soljet yhteen. Vedä hinnasta kiinnittääksesi kiinnitysjärjestelmän tiukasti sänkyyn.

5.6. Patja, laatikkojouset & runko kohdistettu; Hyväksytyt aikuisten vuodeolosuhteet yhteisnukkumistilaan (sängyn runko linjassa).

5.7. Ei-hyväksyttävät aikuisten vuodeolosuhteet yhteisnukkumistilassa (sängyn runko ei ole linjassa).

Ei sovellu käytettäväksi vesisänkyjen tai lastensänkyjen vieressä.

- Anna sänkysängyn aikuisen sänkyä kohti.
- Yhdistä sängyn sänky ja aikuisen sänky hihnalla, hihnan tulee olla patjan ja aikuisen sängyn rungon välissä.

**VAROITUS!** Kun käytät sänkytoimintoa, pudotettava sivukaide on poistettava ja pidettävä hyvin.

**VAROITUS!** Vuodesänkyä kiinnitettäessä lyhyt suojakaiteen reuna on sovittettava tiiviisti aikuisen patjan kanssa välyksen välttämiseksi. Vuoteen vieressä olevaa nukkujaa voidaan käyttää vain aikuisten sänkyyn. Sillä välin etäisyyden linjassa olevan aikuisen sängyn alimmasta alareunasta (laskettava puoli) maahan tulee olla yli 20 cm.

5.2 Varmista, että jalka ulottuu sängyn sivulautaan.

5.3 Ei sovellu käytettäväksi vesisänkyjen tai lastensänkyjen vieressä.

## VUOTEEN VIERESSÄ OLEVA NUKKUKAJATOIMINTO

5.1-5.3 Jotta tuotetta voidaan käyttää vuodesohvana, se on muutettava. Menettelytapa:

1. Irrota vetoketjut taitettavan puolen molemmista päistä.
2. Vapauta kaiteen pidike liu'uttamalla lukkoa.
3. Laske kantokopan taittuva puoli alas.
4. Aseta pinnasänky aikuisen sängyn viereen ja aseta sängyn korkeus niin, että sängyn patjan yläosa on taitettavan puolen yläreunan tasolla tai enintään 2 cm sen yläpuolella.
5. Vie sängyn kiinnityshihnat sängyn patjan alle ja kiinnitä päät aikuisen sängyn rungon päälle sängyn vastakkaiselle puolelle. Päiden tulee olla pystysuorassa sängyn rungon ja patjan välissä.
6. Kiinnitä kiinnityshihnat pinnasänkyyn suljeilla.
7. Kiristä kiinnityshihnat ja varmista, että se pitää pinnasängyn vakaana ja kiinnitetty tiukasti aikuisen sänkyyn.

## VI. MITEN JARRUA KÄYTETÄÄN

6.1. Lukitse pinnasängyn pyörät painamalla kunkin pyörän jarrukielekkeet alas.

6.2. Vapauta pyörät nostamalla jarrukielekkeitä.

## VII. PUHDISTUS JA HUOLTO

- Puhdista metalli- ja muoviosat kostealla liinalla ja miedolla pesuaineella.
- Käytä puhdistukseen saippuavettä tai pehmeää puhdistusainetta. Pese pussi käsin saippuavedellä. Älä silitä. Ei saa valkaista.
- ÄLÄ sijoita pinnasänkyä lämmityslaitteiden lähelle, koska se vahingoittaa muovia ja kankaita.
- ÄLÄ käytä pinnasänkyä, jos jokin osa puuttuu, on vaurioitunut tai rikki. Ole hyvä ja ota yhteyttä jälleenmyyjiiimme. ÄLÄ korvaa osia.

Käytetyt materiaalit: Muovi, tekstiili, metalli

**Valmistettu Kika Group Ltd:lle, Vasil Levski 121, Plovdiv, Bulgaria. Valmistettu Kiinassa.**

**Täyttää standardin EN 1130:2019+AC:2020; EN 16890:2017+A1:2021.**

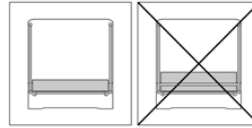
## AVERTIZARE!

1. Nu utilizați acest produs fără a citi mai întâi instrucțiunile de utilizare.
2. Opritiți utilizarea produsului de îndată ce copilul poate să stea sau să îngenuncheze sau să se tragă singur în sus.
3. Plasarea de articole suplimentare în produs poate provoca sufocare.
4. Nu așezați produsul în apropierea altui produs, care ar putea prezenta pericol de sufocare sau strangulare, de ex. sfiori, corzi de jaluzele/draperii etc.



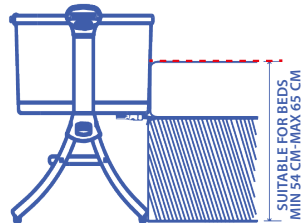
## AVERTIZARE!

1. Nu utilizați mai mult de o saltea în produs.
2. Șina nu trebuie să fie mai înaltă decât salteaua patului pentru adulți.
3. Pentru a evita riscul ca copilul dumneavoastră să fie sugrumat, sistemul de atașare la patul adultului trebuie ținut întotdeauna departe de și în afara pătuțului.
4. Folosește doar salteaua vandută cu acest patut, nu adauga o a doua saltea pe aceasta, pericol de sufocare.
5. Fiți conștienți de riscul de foc deschis și de alte surse de căldură puternică, cum ar fi focul de bare electrice etc., în imediata apropiere a pătuțului (pătuț și pat suspendat).



## PRODUSUL TREBUIE AȘEZAT PE O PODEA ORIZZONTALĂ.

- Copiii mici nu trebuie lăsați să se joace nesupravegheați în apropierea pătuțului.
- Patutul trebuie blocat în poziție fixă atunci când copilul este lasat nesupravegheat.
- Toate fittingurile de asamblare trebuie să fie întotdeauna strânse corespunzător și să aveți grijă ca niciun șurub să nu fie slăbit, deoarece un copil ar putea prinde părți ale corpului sau îmbrăcămintei (de exemplu, sfiori, coliere, panglici pentru manechinele bebelușilor etc.) care ar prezenta un risc de strangulare. Efectuați verificări de rutină pentru a vă asigura că nu există piese slăbite, deteriorate sau lipsă.
- Nu folosiți pentru pătuț de saltea diferită de aceasta, furnizată împreună cu produsul și aprobată de producător.
- Dacă utilizați o saltea diferită de cea vândută împreună cu pătuțul, vă rugăm să vă asigurați că este cu grosimea potrivită și este potrivită cu pătuțul. Grosimea saltelei aleasă trebuie să fie astfel încât înălțimea verticală interioară (suprafața vârfului saltelei până la marginea superioară a lateralelor patului) să fie de cel puțin 200 mm în poziția cea mai înaltă a soclului.
- Dacă utilizați o saltea diferită de cea vândută împreună cu pătuțul, lungimea și lățimea trebuie să fie astfel încât distanța maximă dintre saltea și laterale și capete să nu depășească 30 mm.
- Înclinarea pătuțului este permisă cu un decalaj de maxim 2 poziții între un picior și altul.
- Capul copilului trebuie să fie întotdeauna poziționat pe partea cea mai înaltă.
- NU folosiți pătuțul dacă lipsesc părți, sunt deteriorate sau rupte. Vă rugăm să contactați distribuitorii noștri. NU înlocuiți piese.
- Salteaua de pe patul părintelui ar trebui să fie întotdeauna mai înaltă decât partea laterală a pătuțului. Dacă nu, utilizați sistemul de reglare pentru a vă asigura că înălțimea este corectă pe ambele părți.
- Sistemul de prindere este prevăzut împreună cu patutul. Nu utilizați alt sistem de atașare.
- Traversile de lângă pat nu trebuie să fie niciodată folosite în poziție înclinată.
- Pentru a preveni pericolul de sufocare prin prindere, patul de pat de lângă pat trebuie fixat corespunzător de patul pentru adulți folosind sistemul de atașare. Nu trebuie să existe niciodată un spațiu între partea inferioară a patului de pat și salteaua patului pentru adulți. Verificați etanșeitarea sistemului de atașare înainte de fiecare utilizare, trăgând dormitorul de lângă pat într-o direcție departe de patul pentru adulți.
- Dacă există vreun spațiu între patul de dormit și patul pentru adulți NU utilizați produsul.
- Golurile nu trebuie umplute cu perne, pățuri sau alte articole.



## PERICOL! Ridicați întotdeauna complet partea laterală când nu este atașată de patul adultului.

- Vârsta de utilizare: 0-6 luni, max. greutate 9 kg.
- Produsul este gata de utilizare numai atunci când mecanismele de blocare sunt cuplate.
- Asigurați-vă că sunt bine fixate înainte de utilizare.
- Când copilul dvs. este nesupravegheat în produsul în „Configurație pătuț”, asigurați-vă întotdeauna că partea laterală este ridicată și fermoarele sunt complet închise.
- Nu folosiți corpul pătuțului fără cadrul acestuia.
- Asamblați, desfăcați și pliați produsul NUMAI de către un adult!
- NU permiteți copiilor sub 3 ani până la asamblarea completă a produsului pentru a evita accesul la piesele mici și demontate!
- Orice capac din plastic trebuie îndepărtat, distrus sau ținut departe de copii pentru a evita sufocarea.
- Asigurați-vă că picioarele pătuțului sunt complet lungi atunci când îl utilizați ca pătuț independent.
- Nu utilizați pătuțul dacă înălțimea patului este mai mică de 54 cm sau mai mult de 65 cm deasupra podelei.
- Utilizarea produsului este permisă numai cu paturi și/sau saltele cu părțile drepte! Utilizarea produsului cu paturi rotunde și/sau saltea sau paturi cu apă sau saltea gonflabilă etc. NU ESTE PERMISĂ!
- Când produsul este utilizat în „modul Co-Sleeping” (fixare pe pat), acesta trebuie să fie întotdeauna montat pe partea lungă de acces la pat. NU fixați produsul pe capul sau pe fundul patului!

## IMPORTANT PENTRU SIGURANȚA COPILULUI DVS.!

- Funcția „Co-sleeping” este aplicabilă NUMAI cu tipul de paturi care îndeplinesc toate condițiile descrise mai sus și în acest paragraf. În special, suportul lateral al pătuțului trebuie să fie întotdeauna așezat aproape de salteaua părintelui, iar salteaua trebuie să fie întotdeauna aliniată cu înălțimea suportului lateral pentru reținerea pătuțului.

- În plus, patutul trebuie fixat ferm de structura patului părintilor sau de suportul saltelei (plasa sau lamele).
- Atunci când utilizați produsul la „Funcția de dormit în comun”, pentru a preveni pericolul de sufocare prin prindere, patul de dormit trebuie fixat corespunzător de patul pentru adulți folosind sistemul de atașare.
- Nu trebuie să existe niciodată un spațiu între partea inferioară a patului de pat și salteaua patului pentru adulți.
- Verificați etanșeitarea sistemului de atașare înainte de fiecare utilizare, trăgând dormitorul de lângă pat într-o direcție departe de patul pentru adulți.
- Dacă există vreun spațiu între patul de dormit și patul pentru adulți NU utilizați produsul.
- Verificați pentru a vă asigura că pătuțul în modul co-sleeping nu interferează cu patul părintilor.
- Salteaua de pe patul părintelui ar trebui să fie întotdeauna mai înaltă decât partea laterală a pătuțului. Dacă nu, utilizați sistemul de reglare pentru a vă asigura că înălțimea este corectă pe ambele părți.
- Înainte de fiecare utilizare, verificați întotdeauna să nu existe spațiu între salteaua de pe patul părintelui și peretele pătuțului. Trageți și strângeți sistemul de atașare până când starea permisă este restabilă.
- Ori de câte ori peretele lateral este coborât, verificați dacă poziția părintelui saltea nu este schimbată!
- Când peretele lateral al pătuțului este coborât, acesta trebuie folosit numai atunci când este atașat de patul părintilor.
- Utilizați pătuțul cu peretele coborât numai în modul co-sleeping.
- Copilul se poate răni dacă amplitudinea leagănului este excesivă.
- Pătuțurile suspendate pot prezenta riscuri pentru alți copii.
- Alți copii pot prezenta riscuri suplimentare (de exemplu, prin balansarea excesivă a pătuțului).
- Suprafețele neuniforme pot cauza instabilitate a produsului.
- Poziționați pătuțurile suspendate astfel încât să nu existe riscul de impact de leagăn (de exemplu, niciun risc ca copilul să lovească cadrul pătuțului sau pătuțul să lovească alte mobilier).

## I. PĂRȚI

1. Saltea; 2. Curea de montare; 3. Balustrada de sus; 4. Natuț; 5. Maneta de reglare a înalțimii; 6. Picior cadru; 7. Roata universală; 8. Element de legătură; 9. Clip de suport din plastic; 10. Placă de bază;

## II. MONTAREA DORMANTULUI DE NOPT

- 2.1. Introduceți tubul de sprijin transversal în imbinarea din plastic până când auziți un clic.
- 2.2. Introduceți tubul suportului în imbinarea din plastic până când auziți un clic.
- 2.3. Introduceți tubul de susținere în imbinare până când auziți un clic, apoi introduceți tija de fier în setul de cusuță.
- 2.4. Introduceți tija de fier în capucul din pânză.
- 2.5. Tija de fier care este marcată în linie punctată ar trebui să fie ascunsă în capac.
- 2.6-2.10 Puneți panglica trece prin orificiul pătrat și fixați bine în inelul D.
- 2.11. Așezați salteaua, apoi păstrați-o plat, patul de pat este complet instalat.

**NOTĂ! Patutul este potrivit pentru paturi cu înalțime minimă 54 cm și înalțime maximă 65 cm.**

## III. CUM SE DEZASAMBLA PARTEA LATERALĂ

- 3.1. Desfăcați fermoarul pe ambele părți ale balustradei.
- 3.2. Apăsăți butonul așa cum este indicat de săgeata de pe buton, apoi în sus și de sus.
- 3.3. Scoateți capetele balustradei.
- 3.4. Luțați jos tubul parapetului și așezați-l plat.

**NOTĂ! Ridicați întotdeauna complet partea laterală când nu este atașată de patul adultului!**

## IV. CUM SE REGLEAZĂ ÎNĂLȚIMEA

### SETAREA ÎNĂLȚIMII

Pentru a modifica înălțimea pătuțului, apăsați pârghiile de reglare a înălțimii de la ambele capete ale pătuțului și setați pătuțul la înălțimea dorită. Sunt disponibile șapte setări de înălțime pentru pătuț. Patutul permite setarea unei înalțimi diferite a fiecăruia dintre capete.

**AVERTIZARE!** Înclinarea maximă permisă a pătuțului pentru pătuț este o diferență de două niveluri de reglare. Țineți întotdeauna capul copilului în pătuțul de la capătul superior al pătuțului.

**AVERTIZARE!** Când reglați poziția înălțimii, asigurați-vă că unghiul de înclinare a bazei cusuței cap la capăt (cap la picioare) nu trebuie să fie mai mare de 10°. Oră diferență dintre treptele de înălțime din stânga și dreapta trebuie să fie mai mică de 2°.

- 4.1. Ridicați mânerul de reglare a înălțimii din plastic de ambele părți, apoi acesta vine mai sus.
- 4.2. Ridicați mânerul de reglare a înălțimii din plastic de ambele părți, apoi trageți în jos cuibul, acesta coboară după cum aveți nevoie.

## V. CONECTAREA CU PATUL ADULTULUI

**AVERTIZARE!** Când utilizați funcția de pat noptieră, șina laterală care trebuie îndepărtată și păstrată bine.

**AVERTIZARE!** La fixarea patului de noptieră, marginea scurtă a balustradei trebuie să fie bine fixată cu salteaua pentru adulți pentru a evita orice gol.

**NOTĂ!** Atunci când este folosit ca pat de pat, fundul pătuțului trebuie să fie paralel cu solul. Nu trebuie să existe nicio diferență de înălțime între capetele pătuțului.

**NOTĂ!** Înainte de fiecare utilizare, asigurați-vă că nu există niciun spațiu între salteaua patului adultului și partea laterală a pătuțului.

**AVERTIZARE!** Acest produs poate fi folosit numai cu paturi și/sau saltele care au margini drepte. Nu utilizați acest produs cu paturi și/sau saltele care sunt rotunjite sau cu paturi cu apă.

Tipul de paturi pentru adulți cu care patul de pat poate fi UTILIZAT SAU NU

**AVERTIZARE!** Sistemul de atașare trebuie utilizat ÎNTOTDEAUNA în modul de dormit pe pat:

- 5.4. Aliniați pătuțul direct lângă patul parental și treceți sistemul de atașare sub salteaua patului și în jurul cadrului patului.
  - 5.5. Asigurați sistemul de atașare conectând și trecând cataramele cu cleme împreună. Trageți cureaua pentru a strânge ferm sistemul de atașare pe pat.
  - 5.6. Saltea, arcuri și cadru alinate; Condiții acceptabile de pat pentru adulți pentru modul de dormit în comun (cadru de pat în linie).
  - 5.7. Condiții inacceptabile de pat pentru adulți pentru modul de dormit în comun (cadru patului nu este în linie).
- Nu este potrivit pentru utilizare lângă paturi cu apă sau paturi pentru copii.

- Lăsați pătuțul de noptiere spre patul adultului.
- Conectați pătuțul de noptiere și patul pentru adulți cu o curea, cureaua trebuie să fie plasată între saltea și cadrul patului pentru adulți.

**AVERTIZARE!** Când utilizați funcția de pat noptieră, șina laterală care trebuie îndepărtată și păstrată bine.

**AVERTIZARE!** La fixarea patului de noptieră, marginea scurtă a balustradei trebuie să fie bine fixată cu salteaua pentru adulți pentru a evita orice gol. Patul de pat de lângă pat poate fi folosit numai pentru patul aliniat pentru adulți. Între timp, distanța de la partea inferioară a patului pentru adulți aliniat (partea de jos) până la sol ar trebui să fie mai mare de 20 cm.

- 5.2 Asigurați-vă că piciorul ajunge la bordul patului.
- 5.3 Nu este potrivit pentru utilizare lângă paturi cu apă sau paturi pentru copii.

## FUNCȚIA DORMITOR PE NOPTIERĂ

5.1-5.3 Pentru a utiliza produsul ca dormitor pe pat, acesta trebuie convertit. Procedura:

1. Desfaceți fermoarele de la ambele capete ale părții pliabile.
2. Glisați incuietorile pentru a elibera dispozitivul de fixare a balustradei.
3. Coborâți partea pliabilă a pătuțului.
4. Așezați pătuțul pe partea laterală a patului adultului și setați înălțimea pătuțului astfel încât partea superioară a saltelei patului să fie la nivel cu - sau la cel mult 2 cm deasupra - marginea superioară a părții pliabile.
5. Treceți curelele de montare ale pătuțului sub salteaua patului și agățați capetele peste cadrul patului pentru adult, pe partea opusă a patului. Capetele trebuie să fie drepte între rama patului și saltea.
6. Fixați curelele de montare pe pătuț folosind clemele..
7. Strângeți curelele de montare și asigurați-vă că acest lucru menține pătuțul stabil și atașat ferm de patul adultului.

## VI. CUM SE FOLOSEȘTE FRANA

- 6.1. Pentru a bloca roțile pătuțului, apăsați în jos urechile de frână de pe fiecare dintre roți.
- 6.2. Pentru a elibera roțile, ridicați urechile de frână.

## VII. CURATENIE SI MENTENANTA

- Curățați părțile metalice și din plastic cu o cârpă umedă și un detergent ușor.
- Pentru curățare folosiți apă cu săpun sau detergent moale de curățare. Spălați manual punga cu apă cu săpun. Nu călcați. A nu se folosi înălbitor
- NU așezați pătuțul în apropierea dispozitivelor de încălzire deoarece va deteriora plasticul și țesăturile.
- NU folosiți pătuțul dacă lipsesc părți, sunt deteriorate sau rupte. Vă rugăm să contactați distribuitorii noștri. NU înlocuiți piese.

Materiale folosite: plastic, textil, metal

**Produs pentru Kika Group Ltd., Vasil Levski 121, Plovdiv, Bulgaria. Fabricate în China.**  
**Conform EN 1130:2019+AC:2020; EN 16890:2017+A1:2021.**

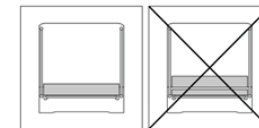
## AVISO!

1. Não use este produto sem antes ler as instruções de uso.
2. Pare de usar o produto assim que a criança conseguir sentar, ajoelhar ou levantar.
3. Colocar itens adicionais no produto pode causar sufocamento.
4. Não coloque o produto perto de outro produto, o que pode representar um perigo de asfixia ou estrangulamento, por ex. cordões, cordões de persianas/cortinas, etc.



## AVISO!

1. Não utilize mais de um colchão no produto.
2. O trilho não deve ser mais alto que o colchão da cama de adulto.
3. Para evitar o risco de estrangulamento do seu filho, o sistema de fixação à cama do adulto deve estar sempre afastado e fora do berço.
4. Use apenas o colchão vendido com este berço, não adicione um segundo colchão a este, há risco de sufocamento.
5. Esteja ciente do risco de fogo aberto e outras fontes de calor forte, como fogos de barras elétricas, etc. nas proximidades do berço (berço e cama suspensa).

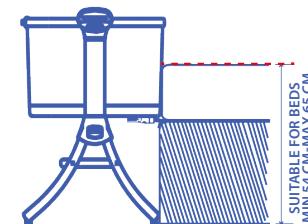


## O PRODUTO DEVE SER COLOCADO EM UM PISO HORIZONTAL.

- Não se deve permitir que crianças pequenas brinquem sem supervisão nas proximidades do berço.
- O berço deve ser travado na posição fixa quando a criança for deixada sozinha.
- Todos os acessórios de montagem devem estar sempre bem apertados e deve-se tomar cuidado para que nenhum parafuso fique solto, pois uma criança pode prender partes do corpo ou roupas (por exemplo, cordões, colares, fitas para chupetas, etc.) que representariam um risco de estrangulamento. Realize verificações de rotina para garantir que não haja peças soltas, danificadas ou faltando.
- Não utilize colchão para berço diferente deste, fornecido com o produto e aprovado pelo fabricante.
- Se você usar um colchão diferente do vendido com o berço, certifique-se de que seja de espessura adequada e adequado ao berço. A espessura do colchão escolhida deve ser tal que a altura vertical interna (superfície da parte superior do colchão até a borda superior das laterais da cama) seja de pelo menos 200 mm na posição mais alta do estrado.
- Se utilizar um colchão diferente do vendido com o berço, o comprimento e a largura devem ser tais que a folga máxima entre o colchão e as laterais e extremidades não exceda 30 mm.
- A inclinação do berço é permitida com um vão máximo de 2 posições entre um pé e outro.
- A cabeça da criança deve estar sempre posicionada no lado mais alto.
- NÃO use o berço se alguma peça estiver faltando, danificada ou quebrada. Por favor, entre em contato com nossos distribuidores. DO NÃO substitua as peças.
- O colchão da cama dos pais deve ser sempre mais alto que a lateral do berço. Caso contrário, use o sistema de ajuste para garantir que a altura esteja correta em ambos os lados.
- O sistema de fixação é fornecido com o berço. Não use outro sistema de fixação.
- As travessas de cabeceira nunca devem ser utilizadas em posição inclinada.
- Para evitar o risco de sufocamento por aprisionamento, a cama de cabeceira deve ser devidamente presa à cama de adulto usando o sistema de fixação. Nunca deve haver um espaço entre a parte inferior da cama de cabeceira e o colchão da cama de adulto. Verifique o aperto do sistema de fixação antes de cada uso, puxando a cama de cabeceira para longe da cama de adulto.
- Se houver algum espaço entre a cama de cabeceira e a cama de adulto, NÃO use o produto.
- As lacunas não devem ser preenchidas com travesseiros, cobertores ou outros itens.

## PERIGO! Sempre levante completamente o lado rebatível quando não estiver preso à cama do adulto.

- Idade de uso: 0-6 meses, máx. peso 9kg.
- O produto está pronto para uso somente quando os mecanismos de travamento estiverem acionados.
- Certifique-se de que estejam bem fixados antes de usar.
- Quando seu filho estiver desacompanhado no produto em “Configuração Berço”, certifique-se sempre de que a lateral esteja levantada e os zíperes totalmente fechados.
- Não use o corpo do berço sem a moldura.
- Monte, desdobre e dobre o produto APENAS por um adulto!
- NÃO permita que crianças menores de 3 anos montem totalmente o produto para evitar o acesso a peças pequenas e desmontadas!
- Qualquer cobertura de plástico deve ser removida, destruída ou mantida fora do alcance das crianças para evitar sufocamento.
- Certifique-se de que os pés do berço estejam totalmente alongados ao usá-lo como um berço independente.
- Não use o berço se a altura da sua cama for inferior a 54 cm ou superior a 65 cm acima do chão.
- A utilização do produto só é permitida em camas e/ou colchões com laterais retas! A utilização do produto com camas redondas e/ou colchão ou camas d'água ou colchão inflável, etc. NÃO É PERMITIDO!
- Quando o produto for utilizado no modo “Co-Sleeping” (fixação na cama) deve ser sempre encaixado no lado comprido de acesso à cama. NÃO fixe o produto na cabeceira ou no fundo da cama!



## IMPORTANTE PARA A SEGURANÇA DO SEU FILHO!

- A função “Co-sleeping” é aplicável APENAS com o tipo de camas que cumpram todas as condições descritas acima e neste parágrafo! Em especial o apoio lateral do berço deve ser sempre colocado próximo ao colchão dos pais e o colchão deve estar sempre alinhado com a altura do apoio lateral para contenção

do berço.

- Além disso, o berço deve estar firmemente fixado à estrutura da cama dos pais ou ao estrado do colchão (rede ou ripas).
- Ao usar o produto na função “Co-sleeping”, para evitar o risco de asfixia por aprisionamento, o dorminhoco de cabeceira deve ser devidamente preso à cama de adulto usando o sistema de fixação.
- Nunca deve haver um vão entre a parte inferior da cama de cabeceira e o colchão da cama de adulto.
- Verifique o aperto do sistema de fixação antes de cada uso, puxando a cama de cabeceira para longe da cama de adulto.
- Se houver algum espaço entre a cama de cabeceira e a cama de adulto, NÃO use o produto.
- Verifique se o berço no modo co-leito não interfere na cama dos pais.
- O colchão da cama dos pais deve ser sempre mais alto que a lateral do berço. Caso contrário, use o sistema de ajuste para garantir que a altura esteja correta em ambos os lados.
- Antes de cada uso, verifique sempre se não há espaço entre o colchão da cama dos pais e a parede do berço. Puxe e aperte o sistema de fixação até que o estado permitido seja restaurado.
- Sempre que a parede lateral for abaixada, verifique se a posição do colchão principal não é alterada!
- Quando a parede lateral do berço estiver abaixada, ela só deve ser utilizada quando estiver presa à cama dos pais.
- Use o berço com a parede abaixada somente no modo co-sleeping.
- A criança pode se machucar se a amplitude do balanço for excessiva.
- Berços suspensos podem representar riscos para outras crianças.
- Outras crianças podem representar riscos adicionais (por exemplo, balançando o berço excessivamente).
- Superfícies irregulares podem causar instabilidade do produto.
- Posicione os berços suspensos de forma que não haja risco de impacto do balanço (por exemplo, sem risco de a criança bater na estrutura do berço ou de o berço bater em outros móveis).

## I. PEÇAS

1. Colchão; 2. Correia de montagem; 3. Corrimão superior; 4. Alcofa; 5. Alavanca de regulagem de altura; 6. Perna da armação; 7. Roda universal; 8. Elemento de conexão;

9. Clipe plástico de apoio; 10. Placa de base;

## II. MONTANDO O DORMITÓRIO DE CABECEIRA

- 2.1. Insira o tubo de suporte transversal na junta de plástico até ouvir um clique.
- 2.2. Insira o tubo do suporte na junta de plástico até ouvir um clique.
- 2.3. Insira o tubo de suporte na junta até ouvir um clique e, em seguida, insira a barra de ferro no conjunto de berço.
- 2.4. Insira a barra de ferro na capa de tecido.
- 2.5. A barra de ferro marcada em linha pontilhada deve ficar escondida na tampa.
- 2.6-2.10 Passe a fita através do orifício quadrado e prenda firmemente no anel em D.
- 2.11. Coloque o colchão e mantenha-o plano, a cama de cabeceira está totalmente instalada.

**OBSERVAÇÃO!** O berço é adequado para camas com altura mínima de 54 cm e altura máxima de 65 cm.

## III. COMO DESMONTAR O LADO DE QUEDA

- 3.1. Abra o zíper de ambos os lados do guarda-corpo.
- 3.2. Pressione o botão conforme indicado pela seta no botão e, em seguida, para cima o trilho superior.
- 3.3. Remova as extremidades do guarda-corpo.
- 3.4. Retire o tubo do guarda-corpo e coloque-o na horizontal.

**OBSERVAÇÃO!** Sempre levante completamente o lado rebatível quando não estiver preso à cama do adulto!

## IV. COMO AJUSTAR A ALTURA

### CONFIGURAÇÃO DE ALTURA

Para alterar a altura do berço, pressione as alavancas de ajuste de altura em ambas as extremidades do berço e coloque a alcofa na altura desejada. Existem sete configurações de altura de berço disponíveis. O berço permite definir uma altura diferente de cada uma das suas extremidades.

**AVISO!** A inclinação máxima permitida da alcofa de berço é uma diferença de dois níveis de ajuste. Sempre mantenha a cabeça do bebê no berço na parte superior da alcofa.

**AVISO!** Ao ajustar a posição de altura, certifique-se de que o ângulo de inclinação da base do berço ponta a ponta (cabeça aos pés) não deve ser maior que 10°. Or a diferença entre as engrenagens esquerda e direita de altura deve ser menor que 2°.

- 4.1. Levante a alça de ajuste de altura de plástico de ambos os lados, então ela fica mais alta.
- 4.2. Levante a alça de ajuste de altura de plástico de ambos os lados e, em seguida, puxe o ninho para baixo, ele desce conforme necessário.

## V. CONEXÃO COM A CAMA DE ADULTO

**AVISO!** Ao usar a função de cabeceira, a grade lateral rebatível deve ser removida e bem guardada.

**AVISO!** Ao fixar a cama de cabeceira, a borda curta do guarda-corpo deve estar bem ajustada ao colchão adulto para evitar qualquer folga.

**OBSERVAÇÃO!** Quando usado como cama de cabeceira, o fundo da alcofa deve ficar paralelo ao chão. Não deve haver diferença de altura entre as extremidades do berço.

**OBSERVAÇÃO!** Antes de cada uso, certifique-se de que não haja folga entre o colchão da cama de adulto e a lateral do berço.

**AVISO!** Este produto só pode ser utilizado em camas e/ou colchões com bordas retas. Não use este produto com camas e/ou colchões arredondados ou com camas de água.

## O TIPO DE CAMA ADULTO COM A QUAL A CAMA DE CABECEIRA PODE OU NÃO SER USADA

**AVISO!** O sistema de fixação SEMPRE deve ser usado no modo dorminhoco de cabeceira:

- 5.4. Alinhe o berço diretamente ao lado da cama dos pais e passe o Sistema de Fixação por baixo do colchão da cama e ao redor da estrutura da cama.
  - 5.5. Prenda o sistema de fixação conectando e passando as fivelas do clipe juntas. Puxe a alça para apertar o Sistema de Fixação firmemente na cama.
  - 5.6. Colchão, molas de caixa e quadro alinhado; Condições de cama de adulto aceitáveis para o modo co-sleeping (estrutura da cama em linha).
  - 5.7. Condições de cama de adulto inaceitáveis para o modo co-sleeping (estrutura da cama não alinhada).
- Não é adequado para uso próximo a camas d'água ou camas infantis.

- Deixe o berço de cabeceira em direção à cama do adulto.
- Conecte o berço de cabeceira e a cama do adulto com a alça, a alça deve ser colocada entre o colchão e a estrutura da cama do adulto.

**AVISO!** Ao usar a função de cabeceira, a grade lateral rebatível deve ser removida e bem guardada.

**AVISO!** Ao fixar a cama de cabeceira, a borda curta do guarda-corpo deve estar bem ajustada ao colchão adulto para evitar qualquer folga. O dorminhoco de cabeceira pode ser usado apenas para cama de adulto alinhada. Enquanto isso, a distância do lado inferior inferior da cama de adulto alinhada (o lado rebaixado) até o chão deve ser superior a 20 cm.

5.2 Certifique-se de que o pé alcança a cabeceira da cama.

5.3 Não é adequado para uso próximo a camas d'água ou camas infantis.

## FUNÇÃO DE DORMINHOCO

5.1-5.3 Para usar o produto como dorminhoco, é necessário convertê-lo. O procedimento:

1. Abra os zíperes em ambas as extremidades do lado dobrável .
2. Deslize as travas para liberar o retentor do corrimão.
3. Baixe o lado dobrável da alcofa.
4. Coloque o berço ao lado da cama do adulto e ajuste a altura do berço de modo que a parte superior do colchão da cama fique nivelada - ou não mais do que 2 cm acima - da borda superior do lado dobrável.
5. Passe as alças de fixação do berço por baixo do colchão da cama e prenda as pontas sobre a estrutura da cama de adulto no lado oposto da cama. As extremidades devem ficar na vertical entre a estrutura da cama e o colchão.
6. Prenda as alças de montagem no berço usando os fechos.
7. Aperte as correias de montagem e certifique-se de que isso mantém o berço estável e firmemente preso à cama do adulto.

## VI. COMO USAR O FREIO

- 6.1. Para travar as rodas do berço, pressione as abas de freio em cada uma das rodas.
- 6.2. Para liberar as rodas, levante as linguetas do freio.

## VII. LIMPEZA E MANUTENÇÃO

- Limpe as partes metálicas e plásticas com um pano úmido e detergente neutro.
- Para limpar, use água com sabão ou detergente de limpeza suave. Lave o saco à mão com água e sabão. Não engomar. Não utilizar alvejante.
- NÃO coloque o berço perto de dispositivos de aquecimento, pois isso danificará o plástico e os tecidos.
- NÃO use o berço se alguma peça estiver faltando, danificada ou quebrada. Por favor, entre em contato com nossos distribuidores. DO NÃO substitua as peças.

Materiais usados: Plástico, tecido, metal

**Produzido para Kika Group Ltd., Vasil Levski 121, Plovdiv, Bulgária. Feito na china. Cumpre a EN 1130:2019+AC:2020; EN 16890:2017+A1:2021.**

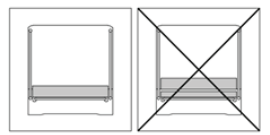
**TWISSIJA!**

1. Tużax dan il-prodott minghajr ma taqra l-istruzzjonijiet għall-użu l-ewwel.
2. Waqqaf l-użu tal-prodott hekk kif it-tifel ikun jista' joqgħod jew jinżel għarkobtejh jew jiġbed lilu nnifsu.
3. It-tqegħid ta' oġġetti addizzjonali fil-prodott jista' jikkawża soffokazzjoni.
4. Tpoġġix il-prodott qrib prodott ieħor, li jista' jipprezenta periklu ta' soffokazzjoni jew strangolazzjoni, eż. spag, kurduni tal-ghomja / tal-purtieri, eċc.



**TWISSIJA!**

1. Tużax aktar minn saqqu wiehed fil-prodott.
2. Il-binarji m'għandhomx ikunu oġhla mis-saqqu tas-sodda għall-adulti.
3. Biex jiġi evitat ir-riskju li t-tifel/tifla tiegħek jiġi strangolat, is-sistema tat-twaħħil mas-sodda tal-adult għandha dejjem tinżamm 'il bogħod minn u barra mill-presepu.
4. Uża biss is-saqqu mibjugħ ma 'din il-cot, ma żidix it-tieni saqqu fuq dan, perikli ta' soffokazzjoni.
5. Kun konju tar-riskju ta' nar miftuħ u sorsi oħra ta' shana qawwija, bħal nriren tal-bar elettrici, eċc fil-vicinanza qrib tal-kot (presepu u sodda sospiza).

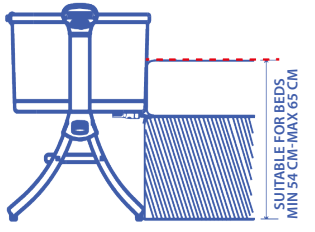


**IL-PRODOTT GĦANDU JITQIEGĦED FUQ ART ORIZZONTALI.**

- Tfal zġhar m'għandhomx jiġihallew jilgħabu minghajr sorveljanza fil-vicinanza tal-presepu.
- Il-presepu għandu jissakkar fil-pożizzjoni fissa meta t-tifel jiġihalla waħdu.
- Il-fittings kollha tal-assemblaġġ għandhom dejjem ikunu ssikkati kif support u li għandha tingħata attenzjoni li l-ebda viti ma jkun mahlula, minhabba li tifel jista' jaqbad partijiet tal-gisem jew hwejjeg (eż. spag, ġizirajjen, zigarelli għall-manikini tat-trabi, eċc.) li jkunu ta' riskju ta' strangolazzjoni. Wettaq kontrolli ta' rutina biex tiżgura li ma jkunx hemm partijiet mahlula, hsarat jew neqsin.
- Tużax saqqu għall-presepu differenti minn dan, ipprovdut mal-prodott u approvat mill-manifattur.
- Jekk tuża saqqu differenti minn dak mibjugħ mal-presepu, jekk jogħġbok kun żgur li huwa bi hxuna xierqa u li huwa adattat mal-presepu. Il-hxuna tas-saqqu magħzlu għandha tkun tali li l-gholi vertikali intern (il-wicc tan-naħa ta' fuq tas-saqqu sat-tarf ta' fuq tal-ġnub tas-sodda) ikun mill-inqas 200 mm fl-oġhla pozzizzjoni tal-qiegħ tas-sodda.
- Jekk tuża saqqu differenti minn dak mibjugħ mal-cot, it-tul u l-wisa' għandhom ikunu tali li d-distakk massimu bejn is-saqqu u l-ġnub u t-truf ma jaqbizx it-30 mm.
- L-inklinazzjoni tal-presepu hija permessa b'distakk massimu ta' 2° pozzizzjonijiet bejn sieq waħda u oħra.
- Ir-ras tat-tifel għandha dejjem tkun pozzizzjonata fuq l-oġhla naħa.
- TUŻAX presepu jekk xi partijiet huma nieqsa, bil-hsara jew miksura. Jekk jogħġbok, ikkuntattja lid-distributori tagħna. M'għandekx tissostitwixxi partijiet.
- Is-saqqu fuq is-sodda tal-ġenituri għandu dejjem ikun oġhla mill-ġenb tal-presepu. Jekk le, uża s-sistema ta' aġġustament biex tiżgura li l-gholi huwa korrett fuq iż-żewġ naħat.
- Sistema ta' twaħħil hija pprovduta mal-presepu. Tużax sistema oħra ta' twaħħil.
- L-irqad tal-komodina m'għandhom qatt jintużaw f'pozzizzjoni inklinata.
- Biex jiġi evitat periklu ta' soffokazzjoni mill-qbid, l-irqad tal-komodina għandu jkun imwaħħal sew mas-sodda tal-adulti bl-użu tas-sistema tat-twaħħil. Qatt m'għandu jkun hemm vojt bejn in-naħa t'isfel tal-irqad tal-komodina u s-saqqu tas-sodda tal-adulti. Iċċekkja l-issikkar tas-sistema tat-twaħħil qabel kull użu billi tiġbed l-irqad tal-komodina f'direzzjoni 'l bogħod mis-sodda tal-adulti.
- Jekk hemm xi vojt bejn l-irqad tal-komodina u s-sodda tal-adulti TUŻAX prodott.
- Il-lakuni m'għandhomx jintlew b'imħaded, kutri jew oġġetti oħra.

**PERIKLU! Dejjem għolli kompletament in-naħa tal-qatra meta ma tkunx imwaħħla mas-sodda tal-adult.**

- Età ta' użu: 0-6 xhur, Max. piż 9kg.
- Il-prodott huwa lest għall-użu biss meta l-mekkanizmi ta' qfil huma ingaġġati.
- Kun żgur li huma mwahħla sew qabel l-użu.
- Meta t-tifel/tifla tiegħek ma joqgħodx attent fil-prodott fil-"Konfigurazzjoni tal-Presepu", dejjem kun żgur li l-ġenb ikun mġholli u li ż-żippijiet ikunu magħluqa kompletament.
- Tużax il-korp tal-presepu minghajr il-qafas tiegħu.
- Arma, żvolġ u itwi l-prodott minn adult BISS!
- Thallix lit-tfal taħt it-3 snin sakemm jiġbor il-prodott għal kollox biex tevita aċċess għal partijiet zġhar u żarmati!
- Kwalunkwe kopertura tal-plastik għandha titneħħa, tingered jew tinżamm 'il bogħod mit-tfal biex tiġi evitata soffokazzjoni.
- Kun żgur li s-saqajn tal-presepu jkunu mtawla għal kollox meta tuża bħala presepu waħdu.
- Tużax il-presepu jekk l-gholi tas-sodda tiegħek huwa inqas minn 54 cm jew aktar minn 65 cm 'il fuq mill-art.
- L-użu tal-prodott huwa permess biss b'sodod u/jew saqqijiet b'ġnub dritti! L-użu tal-prodott ma' sodod tondu u/jew saqqijiet jew sodod tal-ilma jew saqqijiet li jintefhu, eċc. MHUX PERMESS!
- Meta l-prodott jintuża fil-"Modalità Co-Sleeping" (twaħħil mas-sodda) għandu dejjem jitwaħħal man-naħa twila tal-aċċess għas-sodda. Twaħħal il-prodott mar-ras jew fil-qiegħ tas-sodda!



**IMPORTANTI GĦAS-SIGURTÀ TAT-TFAL TIEGĦEK!**

- Il-funzjoni "Co-sleeping" hija applikabbli BISS mat-tip ta' sodod li jissodisfaw il-kundizzjonijiet kollha deskritti hawn fuq u f'dan il-paragrafu! B'mod partiko-

**TWISSIJA!**

- lari l-appoġġ tal-ġenb tal-presepu għandu dejjem jitqiegħed qrib is-saqqu tal-ġenitur u s-saqqu għandu dejjem ikun allinjat mal-gholi tal-appoġġ tal-ġenb għat-trażzin tal-presepu.
- Barra minn hekk, il-presepu għandu jkun imwaħħal sew mal-istruttura tas-sodda tal-ġenituri jew mal-appoġġ tas-saqqu (xibka jew paletti).
- Meta tuża l-prodott f'"Funzjoni Co-sleeping", biex tevita periklu ta' soffokazzjoni minn qbid, l-irqad tal-komodina għandu jkun imwaħħal sew mas-sodda tal-adulti permezz tas-sistema ta' twaħħil.
- Qatt m'għandu jkun hemm vojt bejn in-naħa t'isfel tal-irqad tal-komodina u s-saqqu tas-sodda tal-adulti.
- Iċċekkja l-issikkar tas-sistema tat-twaħħil qabel kull użu billi tiġbed l-irqad tal-komodina f'direzzjoni 'l bogħod mis-sodda tal-adulti.
- Jekk hemm xi vojt bejn l-irqad tal-komodina u s-sodda tal-adulti TUŻAX prodott.
- Iċċekkja biex tiżgura li l-presepu fil-modalità co-sleeping ma jinterferixx mas-sodda tal-ġenitur.
- Is-saqqu fuq is-sodda tal-ġenituri għandu dejjem ikun oġhla mill-ġenb tal-presepu. Jekk le, uża s-sistema ta' aġġustament biex tiżgura li l-gholi huwa korrett fuq iż-żewġ naħat.
- Qabel kull użu, dejjem iċċekkja li ma jkunx hemm spazju bejn is-saqqu fuq is-sodda tal-ġenituri u l-hajt tal-presepu. Iġbed u issikka s-sistema tat-twaħħil sakemm l-istat permess jiġi restawrat.
- Kull meta l-hajt tal-ġenb jitbaxxa, iċċekkja li l-pożizzjoni tal-ġenitur tas-saqqu ma tkunx mibdula!
- Meta l-hajt tal-ġenb tal-presepu jitbaxxa, għandu jintuża biss meta jkun imwaħħal mas-sodda tal-ġenitur.
- Uża l-presepu bil-hajt imniżel biss fil-modalità co-sleeping.
- It-tifel jista' j'wiegġa' jekk l-amplitudni tat-tbandil tkun eċċessiva.
- Presepi sospizi jistgħu johlqu riskji għal tfal oħra.
- Tfal oħra jistgħu johlqu riskji addizzjonali (eż. billi jitbandal il-presepu b'mod eċċessiv).
- Uċuħ irregolari jistgħu jikkawżaw instabbiltà tal-prodott.
- Sib presepi sospizi b'tali mod li ma jkun hemm l-ebda riskju ta' impatt li jitbandal (eż. l-ebda riskju li t-tifel jolqot il-qafas tal-presepu, jew il-presepu jolqot għamara oħra).

**I. PARTIJET**

1. Saqqu; 2. Ċinga tal-immuntar; 3. Poġġaman ta' fuq; 4. Carrycot; 5. Lieva ta' aġġustament tal-gholi; 6. Riġel tal-qafas; 7. Rota universali; 8. Element ta' konnessjoni; 9. Clip tal-plastik ta' appoġġ; 10. Baseplate;

**II. L-ASSAMBLAZZJONI TAL-KOMODINA**

- 2.1. Daħħal it-tubu ta' appoġġ trasversali fil-ġonta tal-plastik sakemm tisma' hoss ta' tikklikkja.
- 2.2. Daħħal it-tubu tal-Bracket fil-ġonta tal-plastik sakemm tisma' hoss ta' tikklikkja.
- 2.3. Daħħal it-tubu ta' appoġġ fil-ġonta sakemm tisma' hoss li tikklikkja, imbagħad daħħal virga tal-hadid fis-sett tal-bassiniet.
- 2.4. Daħħal il-virga tal-hadid fil-qoxra tad-drap.
- 2.5. Il-virga tal-hadid li mmarkata f'linja bit-tikek għandha tkun moħbija fil-qoxra.
- 2.6-2.10 Poġġi ż-żigarella tghaddi mit-toqba kwadra u waħhalha fis-D-ring sewwa.
- 2.11. Poġġi s-saqqu imbagħad zomm u catt, l-irqad tal-komodina huwa installat bis-shiħ.

**NOTA! Il-cot tat-trabi hija adattata għal sodod b'gholi minimu ta' 54 cm u għoli massimu ta' 65 cm.**

**III. KIF ŻARMA N-NAĦA TAL-QATRA**

- 3.1. Unzip iż-żewġ naħat tal-guardrail.
  - 3.2. Imbotta l-buttna kif indikat mill-vleġġa fuq il-buttna, imbagħad 'il fuq il-ferrovija ta' fuq.
  - 3.3. Neħhi t-truf tal-guardrail.
  - 3.4. Niżżel it-tubu tal-guardrail u poġġih catt.
- NOTA! Dejjem għolli kompletament in-naħa tal-qatra meta ma tkunx imwaħħla mas-sodda tal-adult!**

**IV. KIF TAĠĠUSTA L-GĦOLI**

ISSETTJAR TAL-GĦOLI  
Biex tbidel l-gholi tal-presepu, aghfas il-lievi tal-aġġustament tal-gholi fuq iż-żewġ itruf tal-presepu u poġġi l-cottage fl-gholi mixtieq. Hemm seba 'settings tal-gholi tal-presepu disponibbli. Il-presepu jippermetti li jiġi stabbilit għoli differenti ta' kull wiehed mit-truf tiegħu.

**TWISSIJA!** L-inklinazzjoni massima permessa tal-cottage tal-presepu hija differenza ta' żewġ livelli ta' issettjar. Dejjem zomm ir-ras tat-tarbija fil-presepu fit-tarf oġhla tal-cottage.

**TWISSIJA!** Meta taġġusta l-pożizzjoni tal-gholi, kun żgur li l-angolu tal-inklinazzjoni tal-bażi tal-bassiniet tarf sa tarf (ras sas-saqajn) m'għandux ikun akbar minn 10°. Or id-differenza bejn l-irkaptu tax-xellug u tal-lemin tal-gholi għandha tkun iżgħar minn 2°.

- 4.1. Erfa l-gholi tal-plastik aġġusta l-manku taż-żewġ naħat, imbagħad jiġi oġhla.
- 4.2. Erfa l-gholi tal-plastik aġġusta l-manku taż-żewġ naħat, imbagħad iġbed 'l isfel il-bejta, jiġi aktar baxx kif għandek bżonn.

**V. KONNESSJONI MAS-SODD TA' ADULT**

**TWISSIJA!** Meta tuża l-funzjoni tas-sodda tal-komodina, il-binarju tal-ġenb tal-qatra li għandu jitneħħa u jinżamm tajjeb.

**TWISSIJA!** Meta twaħħal is-sodda tal-komodina, it-tarf tal-guardrail qasir għandu jkun imwaħħal mill-qrib mas-saqqu tal-adulti biex tevita kwalunkwe vojt.

**NOTA!** Meta jintuża bħala irqad mal-komodina, il-qiegħ tal-cottage għandu jkun parallel mal-art. M'għandu jkun hemm l-ebda differenza fl-gholi bejn it-truf

tal-presepu.

**NOTA!** Qabel kull użu, kun żgur li ma jkun hemm l-ebda vojta bejn is-saqqu tas-sodda tal-adult u l-ġenb tal-presepu.

**TIWISSIJA!** Dan il-prodott jista' jintuża biss ma' sodod u/jew saqqijiet li għandhom truff dritti. Tużax dan il-prodott ma' xi sodod u/jew saqqijiet li huma tonnd jew b'sodod ta' l-ilma.

**IT-TIP TA' 'SODOD GHĀLL-ADULTI LI MAGĦHOM L-IRQAD TAL-KOMODINA JISTA' JEW MA JISTGĦU JINTUŻA**

**TIWISSIJA!** Is-sistema tat-twaħħil għandha DEJEM tintuża fil-modalità ta' l-irqad mal-komodina:

- 5.4. Allinja l-presepu direttament hdejn is-sodda tal-ġenitur u għaddi s-Sistema ta' Twaħħil taht is-saqqu tas-sodda u madwar il-qafas tas-sodda.
  - 5.5. Sikura s-Sistema tat-Twaħħil billi tgħaqquad u għaddi l-bokkli tal-klipp flimkien. Lqbed iċ-ċinga biex tissikka s-Sistema tat-Twaħħil sew mas-sodda.
  - 5.6. Saqqijiet, Molol Box & Frame allinjati; Kundizzjonijiet aċċettabbli tas-sodda għall-adulti għall-mod ta' r'qad flimkien (qafas tas-sodda in-line).
  - 5.7. Kundizzjonijiet mhux aċċettabbli tas-sodda għall-adulti għall-mod ta' r'qad flimkien (qafas tas-sodda mhux in-line).
- Mhux adattat għall-użu hdejn sodod tal-ilma jew sodod tat-tfal.

- Halli l-presepu tal-komodina lejn is-sodda tal-adulti.
- Qabbad il-presepu tal-komodina u s-sodda tal-adulti biċ-ċinga, iċ-ċinga trid tpogġi bejn is-saqqu u l-qafas tas-sodda tal-adulti.

**TIWISSIJA!** Meta tuża l-funzjoni tas-sodda tal-komodina, il-binariju tal-ġenb tal-qatra li għandu jitneħħa u jinżamm tajjeb.

**TIWISSIJA!** Meta twaħħal is-sodda tal-komodina, it-tarf tal-guardrail qasir għandu jkun imwaħħal mill-qrib mas-saqqu tal-adulti biex tevita kwalunkwe vojta. L-irqad tal-komodina jista' jintuża għal sodda għall-adulti allinjata biss. Sadanittant id-distanza mill-aktar naħa ta' isfel tas-sodda tal-adulti allinjata (in-naħa tal-qatra) sal-art għandha tkun aktar minn 20 cm.

- 5.2 Kun żgur li s-sieq tilhaq il-bord tal-ġenb tas-sodda.
- 5.3 Mhux adattat għall-użu hdejn sodod tal-ilma jew sodod tat-tfal.

## FUNZJONI TA' L-IRQAD MAL-KOMODINA

5.1-5.3 Biex tuża l-prodott bħala sleeper mal-komodina, jeħtieġ li jiġi kkonvertit. Il-proċedura:

1. Holl iż-zippijiet fuq iż-żewġ itruf tal-ġenb tat-tiwi.
2. Żerżaq is-serraturi biex tirrilaxxa r-retainer tal-puġġaman.
3. Niżżel in-naħa tat-tiwi tal-cottage.
4. Pogġi l-presepu mal-ġenb tas-sodda tal-adulti u pogġi l-gholi tal-presepu sabiex in-naħa ta' fuq tas-saqqu tas-sodda tkun livell ma' - jew mhux aktar minn 2 cm 'il fuq - it-tarf ta' fuq tan-naħa li tintewa.
5. Għaddi iċ-ċineg tal-immuntar tal-presepu taht is-saqqu tas-sodda u waħħal it-truf fuq il-qafas tas-sodda tal-adulti fuq in-naħa opposta tas-sodda. It-truf iridu jkunu wieqfa bejn il-qafas tas-sodda u s-saqqu.
6. Waħħal iċ-ċineg tal-immuntar mal-presepu billi tuża l-qlappi.
7. Issikka iċ-ċineg tal-immuntar u kun żgur li dan iżomm il-presepu stabbli u imwaħħla sew mas-sodda tal-adult.

## VI. KIF TUŻA L-BREJK

- 6.1. Biex tissakkur ir-roti tal-presepu, aghfas l-isfel it-tabs tal-brejk fuq kull waħda mir-roti.
- 6.2. Biex tirrilaxxa r-roti, erfa' t-tabs tal-brejk.

## VII. TINDIF U MANUTENZJONI

- Naddaf il-partijiet tal-metall u tal-plastik b'carruta niedja u detergent haġf.
- Biex tnaddaf uża ilma bis-sapun jew detergent tat-tindif artab. Aħsel il-borża bl-idejn bl-ilma bis-sapun. Tagħmilx hadid. M'għandekx bliċ.
- Tpoġġix il-cot hdejn apparat li jsaħħan għax tagħmel ħsara lill-plastik u d-drappijiet.
- TUŻAX presepu jekk xi partijiet huma nieqsa, bil-ħsara jew miksura. Jekk jogħġbok, ikkuntattja lid-distributori tagħna. M'għandekx tissostitwixxi partijiet.

Materjali użati: Plastik, tessuti, metall

**Prodott għal Kika Group Ltd., Vasil Levski 121, Plovdiv, Bulgarija. Magħmul fiċ-Ċina. Jikkonforma ma' EN 1130:2019+AC:2020; EN 16890:2017+A1:2021.**

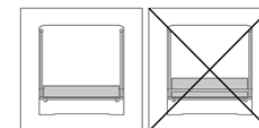
## OSTRZEŻENIE!

1. Nie używaj tego produktu bez uprzedniego przeczytania instrukcji użytkowania.
2. Przestań używać produktu, gdy tylko dziecko nauczy się siadać, kłęcząc lub podciągając.
3. Umieszczenie w produkcie dodatkowych przedmiotów grozi uduszeniem.
4. Nie umieszczaj produktu w pobliżu innego produktu, który może stwarzać niebezpieczeństwo uduszenia lub uduszenia uduszenie, np. sznurki, sznurki do rolet/zasłon itp.



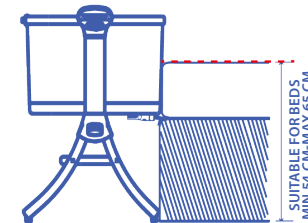
## OSTRZEŻENIE!

1. Nie używaj więcej niż jednego materaca w produkcie.
2. Poręcz nie może być wyższa niż materac łóżka dla dorosłych.
3. Aby uniknąć ryzyka uduszenia dziecka, system mocowania do łóżka osoby dorosłej należy zawsze trzymać z dala od łóżeczka.
4. Używaj tylko materaca sprzedawanego z tym łóżeczkiem, nie dodawaj drugiego materaca do tego łóżeczka, ryzyko uduszenia.
5. Bądź świadomy ryzyka związanego z otwartym ogniem i innymi źródłami silnego ciepła, takimi jak kominki elektryczne itp. w pobliżu łóżeczka (łóżeczka i łóżka podwieszanego).



## PRODUKT NALEŻY USTAWIĆ NA POZIOMEJ PODŁODZE.

- Nie należy pozwalać małym dzieciom bawić się bez nadzoru w pobliżu łóżeczka.
- Łóżeczko powinno być zablokowane w ustalonej pozycji, gdy dziecko jest pozostawione bez opieki.
- Wszystkie elementy montażowe powinny być zawsze dobrze dokręcone i należy uważać, aby żadna śrubka nie była poluzowana, ponieważ dziecko mogłoby zakleszczyć części ciała lub ubrania (np. sznurki, naszyjniki, wstążki do smoczków niemowlęcych itp.), co grozi uduszeniem. Wykonuj rutynowe kontrole, aby upewnić się, że nie ma luźnych, uszkodzonych lub brakujących części.
- Nie używaj do łóżeczka materaca innego niż dostarczony wraz z produktem i zatwierdzony przez producenta.
- Jeśli używasz innego materaca niż sprzedawany z łóżeczkiem, upewnij się, że ma on odpowiednią grubość i pasuje do łóżeczka. Grubość wybranego materaca powinna być taka, aby wewnętrzna wysokość pionowa (od powierzchni górnej powierzchni materaca do górnej krawędzi boków łóżka) wynosiła co najmniej 200 mm w najwyższym położeniu podstawy łóżka.
- W przypadku użycia innego materaca niż sprzedawany z łóżeczkiem, długość i szerokość powinny być takie, aby maksymalna szczelina między materacem a bokami i końcami nie przekraczała 30 mm.
- Pochylenie łóżeczka jest dozwolone przy maksymalnym odstepie 2 pozycji między jedną a drugą stopą.
- Głowa dziecka powinna być zawsze ustawiona jak najwyżej.
- NIE UŻYWAJ łóżeczka, jeśli brakuje jakichkolwiek części, są one uszkodzone lub pęknięte. Zapraszamy do kontaktu z naszymi dystrybutorami. DO NIE zastępować części.
- Materac w łóżku rodzica powinien być zawsze wyższy niż bok łóżeczka. Jeśli nie, użyj systemu regulacji, aby upewnić się, że wysokość jest prawidłowa po obu stronach.
- Do łóżeczka dołączony jest system mocowania. Nie używaj innego systemu mocowania.
- Podkładów przyłóżkowych nigdy nie należy używać w pozycji pochylonej.
- Aby zapobiec niebezpieczeństwu uduszenia w wyniku uwięzienia, leżankę przyłóżkową należy odpowiednio przymocować do łóżka dla dorosłych za pomocą systemu mocowania. Pomiędzy dolną częścią leżanki przyłóżkowej a materacem w łóżeczku dla dorosłych nie może być szczeliny. Sprawdź szczelność systemu mocowania przed każdym użyciem, odciągając leżankę w kierunku przeciwnym do łóżka dla dorosłych.
- Jeśli między łóżkiem przy łóżku a łóżkiem dla dorosłych jest jakkolwiek szczelina, NIE WOLNO używać produktu.
- Szczeliny nie należy wypełniać poduszkami, kocami ani innymi przedmiotami.



## NIEBEZPIECZEŃSTWO! Zawsze całkowicie podnieś burtę, gdy nie jest przymocowana do łóżka osoby dorosłej.

- Wiek użytkowania : 0-6 miesięcy , Max. waga 9 kg.
- Produkt jest gotowy do użycia tylko wtedy, gdy mechanizmy blokujące są włączone.
- Przed użyciem upewnij się, że są bezpiecznie zamocowane.
- Kiedy Twoje dziecko pozostaje bez opieki w produkcie w „Konfiguracji łóżeczka”, zawsze upewnij się, że bok jest podniesiony, a zamki błyskawiczne są całkowicie zamknięte.
- Nie używaj korpusu łóżeczka bez ramy.
- Montaż, rozkładanie i składanie produktu TYLKO przez osobę dorosłą!
- NIE WOLNO pozwalać dzieciom w wieku poniżej 3 lat na całkowite złożenie produktu, aby uniknąć dostępu do małych i zdemontowanych części!
- Wszelkie plastikowe osłony należy zdjąć, zniszczyć lub trzymać z dala od dzieci, aby uniknąć uduszenia.
- Upewnij się, że nożki łóżeczka są całkowicie wydłużone, gdy używasz go jako łóżeczka wolnostojącego.
- Nie używaj łóżeczka, jeśli wysokość Twojego łóżka jest mniejsza niż 54 cm lub większa niż 65 cm nad podłogą.
- Używanie produktu jest dozwolone tylko z łóżkami i/lub materacami o prostych bokach! Używanie produktu z okrągłymi łóżkami i/lub materacami, łóżkami wodnymi lub dmuchanymi materacami itp. NIE JEST DOZWOLONE!
- Gdy produkt jest używany w „trybie wspólnego spania” (mocowanie do łóżka), powinien być zawsze mocowany do dłuższego boku łóżka. NIE WOLNO mocować produktu do węższego boku lub spodu łóżka!

## WAŻNE DLA BEZPIECZEŃSTWA TWOJEGO DZIECKA!

- Funkcja „Wspólne spanie” dotyczy TYLKO tych typów łóżek, które spełniają wszystkie warunki opisane powyżej i w tym paragrafie! W szczególności podpora boczna łóżeczka powinna zawsze znajdować się blisko materaca rodzica, a materac powinien być zawsze wyrównany z wysokością podpory bocznej w celu zabezpieczenia łóżeczka.
- Ponadto łóżeczko musi być solidnie przymocowane do konstrukcji łóżka rodziców lub do stelaża materaca (siatka lub listwy).
- W przypadku korzystania z produktu z „funkcją wspólnego spania”, aby zapobiec niebezpieczeństwu uduszenia w wyniku uwięzienia, śpiwór przyłóżkowy należy odpowiednio przymocować do łóżka dla dorosłych za pomocą systemu mocującego.
- Nigdy nie powinno być szczeliny między dolną częścią łóżka nocnego a materacem łóżka dla dorosłych.
- Sprawdź szczelność systemu mocowania przed każdym użyciem, odciągając leżankę w kierunku przeciwnym do łóżka dla dorosłych.
- Jeśli między łóżkiem przy łóżku a łóżkiem dla dorosłych jest jakakolwiek szczelina, NIE WOLNO używać produktu.
- Sprawdź, czy łóżeczko w trybie wspólnego spania nie koliduje z łóżkiem rodziców.
- Materac w łóżku rodzica powinien być zawsze wyższy niż bok łóżeczka. Jeśli nie, użyj systemu regulacji, aby upewnić się, że wysokość jest prawidłowa po obu stronach.
- Przed każdym użyciem należy zawsze sprawdzić, czy pomiędzy materacem w łóżku rodziców a ścianą łóżeczka nie ma wolnej przestrzeni. Pociągnij i dokręć system mocowania, aż do przywrócenia dozwolonego stanu.
- Za każdym razem, gdy ścianka boczna jest opuszczana, należy sprawdzić, czy pozycja materaca rodzica nie uległa zmianie!
- Gdy boczna ścianka łóżeczka jest opuszczona, należy go używać tylko wtedy, gdy jest przymocowane do łóżka rodzica.
- Używaj łóżeczka z opuszczoną ścianką tylko w trybie wspólnego spania.
- Dziecko może doznać obrażeń, jeśli amplituda wymachu jest nadmierna.
- Zawieszona łóżeczka mogą stanowić zagrożenie dla innych dzieci.
- Inne dzieci mogą stwarzać dodatkowe ryzyko (np. przez nadmierne bujanie łóżeczka).
- Nierówne powierzchnie mogą powodować niestabilność produktu.
- Umieść łóżeczko podwieszane w taki sposób, aby nie było ryzyka uderzenia huśtawką (np. nie ma ryzyka uderzenia dziecka w ramę łóżeczka lub uderzenia łóżeczka o inne meble).

## CZĘŚCI

1. Materac; 2. Pasek mocujący; 3. Górna poręcz; 4. Gondola; 5. Dźwignia regulacji wysokości; 6. Noga ramy; 7. Koło uniwersalne; 8. Element łączący; 9. Plastikowy klips podtrzymujący; 10. Płyta fundamentowa;

## II. MONTAŻ ŁÓŻKA DO ŁÓŻKA

1. Włóż poprzeczną rurkę nośną do plastikowego złącza, aż usłyszysz kliknięcie.
2. Włóż rurkę wspornika do plastikowego złącza, aż usłyszysz kliknięcie.
- 2.3. Włóż rurkę podtrzymującą do złącza, aż usłyszysz kliknięcie, a następnie włóż żelazny pręt do gondoli.
- 2.4. Włóż żelazny pręt do pokrowca z tkaniny.
- 2.5. Żelazny pręt oznaczony linią przerywaną powinien być schowany w pokrywce.
- 2.6-2.10 Przełóż wstążkę przez kwadratowy otwór i mocno zamocuj w D-ringu.
- 2.11. Umieść materac, a następnie trzymaj go płasko, podkład nocny jest w pełni zainstalowany.

**NOTATKA! Łóżeczko dziecięce nadaje się do łóżek o minimalnej wysokości 54 cm i maksymalnej wysokości 65 cm.**

## III. JAK ZDEMONTOWAĆ BURTĘ

- 3.1. Rozepnij zamek błyskawiczny po obu stronach poręczy.
- 3.2. Naciśnij przycisk zgodnie ze strzałką na przycisku, a następnie w górę górnej szyny.
- 3.3. Usuń końce poręczy.
- 3.4. Zdejmij rurę poręczy i połóż ją płasko.

**NOTATKA! Zawsze całkowicie podnieś burtę, gdy nie jest przymocowana do łóżka osoby dorosłej!**

## IV. JAK DOSTOSOWAĆ WYSOKOŚĆ

### USTAWIENIE WYSOKOŚCI

Aby zmienić wysokość łóżeczka, naciśnij dźwignie regulacji wysokości na obu końcach łóżeczka i ustaw gondolę na żądanej wysokości. Dostępnych jest siedem ustawień wysokości łóżeczka. Łóżeczko umożliwia ustawienie różnej wysokości każdego z jego końców.

**OSTRZEŻENIE!** Maksymalne dopuszczalne nachylenie gondoli do łóżeczka to różnica dwóch poziomów ustawienia. Zawsze trzymaj główkę dziecka w łóżeczku na wyższym końcu gondoli.

**OSTRZEŻENIE!** Podczas regulacji wysokości należy zwrócić uwagę na to, aby kąt nachylenia podstawy gondoli (od głowy do stóp) nie był większy niż 10°. Różnica między lewym a prawym biegiem powinna być mniejsza niż 2°.

- 4.1. Podnieś plastikowy uchwyt regulacji wysokości z obu stron, a następnie podnieś się.
- 4.2. Podnieś plastikowy uchwyt do regulacji wysokości z obu stron, a następnie pociągnij w dół gniazdo, obniż się tak, jak potrzebujesz.

## V. ŁĄCZENIE Z ŁÓŻKIEM DOROSŁYM

**OSTRZEŻENIE!** W przypadku korzystania z funkcji łóżka przyłóżkowego należy zdemontować opuszczaną barierkę boczną i przechowywać ją w dobrym stanie.

**OSTRZEŻENIE!** Podczas mocowania łóżka nocnego krótka krawędź poręczy musi być ściśle dopasowana do materaca dla dorosłych, aby uniknąć szczelin.

**NOTATKA!** W przypadku używania gondoli jako spania przyłóżkowego, spód gondoli musi być równoległy do podłoża. Nie powinno być różnicy wysokości między końcami łóżeczka.

**NOTATKA!** Przed każdym użyciem upewnij się, że nie ma szczeliny między materacem łóżka osoby dorosłej a bokiem łóżeczka.  
**OSTRZEŻENIE!** Ten produkt może być używany tylko z łózkami i/lub materacami, które mają proste krawędzie. Nie używaj tego produktu z łózkami i/lub materacami, które są zaokrąglone lub z łózkami wodnymi.

## RODZAJE ŁÓŻEK DLA DOROSŁYCH, Z KTÓRYMI MOŻE LUB NIE MOŻE BYĆ UŻYWANE ŁÓŻECZKO NOCNE

**OSTRZEŻENIE!** System mocowania musi być ZAWSZE używany w trybie łóżka nocnego:

- 5.4. Ustaw łóżeczko bezpośrednio obok łóżka rodzica i przełóż system mocowania pod materacem łóżka i wokół ramy łóżka.
  - 5.5. Zabezpiecz system mocowania, łącząc i przekładając razem sprzączki. Pociągnij za pasek, aby bezpiecznie przymocować system mocowania do łóżka.
  - 5.6. Materac, sprężyny skrzynkowe i wyrównanie ramy; Dopuszczalne warunki łóżka dla dorosłych w trybie wspólnego spania (rama łóżka w jednej linii).
  - 5.7. Niedopuszczalne warunki łóżka dla dorosłych w trybie wspólnego spania (rama łóżka nie w jednej linii).
- Nie nadaje się do użytku obok łóżek wodnych lub łóżek dziecięcych.

- Ustaw łóżeczko nocne w kierunku łóżka dorosłego.
- Połącz łóżeczko nocne i łóżko dorosłego paskiem, który należy umieścić pomiędzy materacem a ramą łóżka dorosłego.

**OSTRZEŻENIE!** W przypadku korzystania z funkcji łóżka przyłóżkowego należy zdemontować opuszczaną barierkę boczną i przechowywać ją w dobrym stanie.

**OSTRZEŻENIE!** Podczas mocowania łóżka nocnego krótka krawędź poręczy musi być ściśle dopasowana do materaca dla dorosłych, aby uniknąć szczelin. Sypialnia przyłóżkowa może być używana tylko z wyrównanymi łózkami dla dorosłych. Tymczasem odległość od najbliższej dolnej krawędzi wyrównanego łóżka dla dorosłych (strona opuszczana) do podłoża powinna wynosić ponad 20 cm.

- 5.2 Upewnij się, że stopa sięga bocznej krawędzi łóżka.
- 5.3 Nie nadaje się do użytku obok łóżek wodnych lub łóżek dziecięcych.

## FUNKCJA SPANIA PRZY ŁÓŻKU

5.1-5.3 Aby używać produktu jako łóżka do spania, należy go przerobić. Procedura:

1. Rozepnij zamki błyskawiczne na obu końcach składanej strony .
2. Przesuń blokady, aby zwolnić element ustalający poręcz.
3. Opuść składaną stronę gondoli.
4. Ustaw łóżeczko z boku łóżka osoby dorosłej i ustaw wysokość łóżeczka tak, aby górna krawędź materaca znajdowała się na poziomie - lub nie więcej niż 2 cm powyżej - górnej krawędzi składanego boku.
5. Przełóż pasy mocujące łóżeczka pod materacem łóżka i zaczepek końce o ramę łóżka osoby dorosłej po przeciwnej stronie łóżka. Końce muszą być ustawione pionowo między ramą łóżka a materacem.
6. Przymocuj paski mocujące do łóżeczka za pomocą klamer.
7. Dokręć paski mocujące i upewnij się, że łóżeczko jest stabilne mocno przymocowany do łóżka dorosłego.

## VI. JAK UŻYWAĆ HAMULCA

- 6.1. Aby zablokować koła łóżeczka, naciśnij zaczepy hamulca na każdym z kół.
- 6.2. Aby zwolnić koła, podnieś zaczepy hamulca.

## VII. CZYSZCZENIE I KONSERWACJA

- Części metalowe i plastikowe czyść wilgotną ściereczką i łagodnym detergentem.
- Do czyszczenia użyj wody z mydłem lub delikatnego detergentu. Umyj ręcznie torbę wodą z mydłem. Nie prasować. Nie wybielać.
- NIE NALEŻY ustawiać łóżeczka w pobliżu urządzeń grzewczych, ponieważ spowoduje to uszkodzenie plastiku i tkanin.
- NIE UŻYWAJ łóżeczka, jeśli brakuje jakichkolwiek części, są one uszkodzone lub pęknięte. Zapraszamy do kontaktu z naszymi dystrybutorami. DO NIE zastępować części.

Użyte materiały: tworzywo sztuczne, tekstylia, metal

Wyprodukowano dla Kika Group Ltd., Vasil Levski 121, Płowdiw, Bułgaria. Wyprodukowano w Chinach.

Zgodny z normą EN 1130:2019+AC:2020; EN 16890:2017+A1:2021.



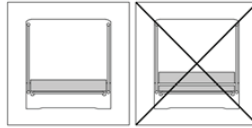
## УПОЗОРЕЊЕ!

1. Немојте користити овај производ без претходно читања упутства за употребу.
2. Престаните да користите производ чим дете може да седи, клечи или се повуче.
3. Стављање додатних предмета у производ може изазвати гушење.
4. Не стављајте производ близу другог производа, који може представљати опасност од гушења или давлeња, нпр. конопци, каблови за ролетне/завесе итд.

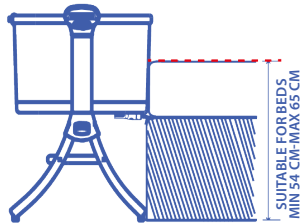


## УПОЗОРЕЊЕ!

1. Не користите више од једног душека у производу.
2. Шина не сме бити виша од душека за кревет за одрасле.
3. Да бисте избегли ризик да ваше дете буде задављено, систем везивања за кревет одрасле особе увек треба да се држи даље од и ван кревета.
4. Користите само душек који се продаје уз овај креветић, немојте додавати други душек на овај, постоји опасност од гушења.
5. Будите свесни ризика од отворене ватре и других извора јаке топлоте, као што су ватра на електричним шипкама, итд. у непосредној близини креветића (креветац и висице кревет).



- Производ треба поставити на хоризонтални под.
- Малој деци не би требало дозволити да се играју без надзора у близини креветића.
- Креветац треба да буде закључан у фиксном положају када је дете остављено без надзора.
- Сви спојеви за монтажу увек треба добро затегнути и пазити да ниједан шраф не буде лабав, јер би дете могло да заглави делове тела или одеће (нпр. везице, огрлице, траке за лутке за бебе, итд.) што би могло представљати опасност од одлагања, давлeња. Извршите рутинске провере да бисте били сигурни да нема лабавих, оштећења или делова који недостају.
- Немојте користити душек за креветић другачији од овог, који је испоручен уз производ и одобрен од стране произвођача.
- Ако уз креветац користите душек који се разликује од оних који се продају, уверите се да је одговарајуће дебљине и да одговара креветићу. Дебљина изабраног душека треба да буде таква да унутрашња вертикална висина (површина врха душека до горње ивице страница кревета) буде најмање 200 мм у највишој позицији постоља кревета.
- Ако користите душек који се разликује од продатих уз креветац, дужина и ширина треба да буду такви да максимални размак између душека и страница и крајева не прелази 30 мм.
- Нагиб креветића је дозвољен са максималним размаком од 2 положаја између једне и друге ноге.
- Дететова глава увек треба да буде на највишој страни.
- НЕМОЈТЕ користити креветац ако неки делови недостају, ако су оштећени или поломљени. Молимо контактирајте наше дистрибутере. НЕ замењујте делове.
- Душек на родитељском кревету увек треба да буде виши од бочне стране креветића. Ако није, користите систем за подешавање да бисте били сигурни да је висина исправна са обе стране.
- Систем причвршћивања је обезбеђен уз креветац. Немојте користити други систем причвршћивања.
- Ноћни кревети се никада не смеју користити у нагнутом положају.
- Да би се спречила опасност од гушења од заглављивања, кревет уз кревет мора бити правилно причвршћен за кревет за одрасле помоћу система за причвршћивање. Никада не сме бити размака између доње стране кревета уз кревет и душека кревета за одрасле. Проверите затегнутост система за причвршћивање пре сваке употребе тако што ћете повући кревет уз кревет у правцу даље од кревета за одрасле.
- Ако постоји било какав размак између кревета уз кревет и кревета за одрасле НЕМОЈТЕ користити производ.
- Празнине не треба попуњавати јастуцима, ћебадима или другим предметима.



## ОПАСНОСТ! Увек потпуно подигните страну пада када није причвршћена за кревет одрасле особе.

- Старост употребе: 0-6 месеци, Макс. тежина 9 кг.
- Производ је спреман за употребу тек када су механизми за закључавање укључени.
- Уверите се да су добро причвршћени пре употребе.
- Када је ваше дете без надзора у производу у „конфигурацији креветића“, увек водите рачуна да је страна подигнута и да су патентни затварачи потпуно затворени.
- Не користите тело креветића без оквира.
- Саставља, расклапа и склапа производ САМО одрасла особа!
- НЕМОЈТЕ дозволити деци млађој од 3 године док у потпуности не саставе производ како бисте избегли приступ малим и растављеним деловима!
- Сваки пластични поклопац треба уклонити, уништити или држати подале од деце како би се избегло гушење.
- Уверите се да су ноге креветића потпуно продужене када се користи као самостални креветац.
- Немојте користити креветић ако је висина вашег кревета мања од 54 цм или више од 65 цм изнад пода.
- Употреба производа је дозвољена само са креветима и/или душецима са равним страницама! Употреба производа са округлим креветима и/или душецима или воденим креветима или душецима на надувавање, итд. НИЈЕ ДОЗВОЉЕНА!
- Када се производ користи у „режиму заједничког спавања“ (фиксирање на кревет), увек га треба поставити на дужу страну приступа кревету. НЕ фиксирајте производ за главу или дно кревета!

## ВАЖНО ЗА БЕЗБЕДНОСТ ВАШЕГ ДЕТЕТА!

- Функција „Заједничко спавање“ је применљива САМО за тип кревета који испуњава све услове описане горе и у овом ставу! Посебно, бочни ослонац креветића увек треба да буде близу душека родитеља, а душек увек треба да буде у равни са високом бочног носача ради задржавања креветића.
- Поред тога, креветац мора бити чврсто причвршћен за структуру кревета родитеља или за подлогу душека (мрежа или летвице).
- Када користите производ у „функцији заједничког спавања“, како би се спречила опасност од гушења од заглављивања, кревет уз кревет мора бити правилно причвршћен за кревет за одрасле помоћу система за причвршћивање.
- Никада не сме бити размака између доње стране кревета уз кревет и душека кревета за одрасле.
- Проверите затегнутост система за причвршћивање пре сваке употребе тако што ћете повући кревет уз кревет у правцу даље од кревета за одрасле.
- Ако постоји било какав размак између кревета уз кревет и кревета за одрасле НЕМОЈТЕ користити производ.
- Проверите да ли креветац у режиму заједничког спавања не омета родитељски кревет.
- Душек на родитељском кревету увек треба да буде виши од бочне стране креветића. Ако није, користите систем за подешавање да бисте били сигурни да је висина исправна са обе стране.
- Пре сваке употребе увек проверите да између душека на родитељском кревету и зида креветића нема простора. Повуците и затегните систем причвршћивања док се не врати дозвољено стање.
- Кад год се бочни зид спусти, проверите да се положај родитељског душека није променио!
- Када је бочни зид креветића спуштен, треба га користити само када је причвршћен за кревет родитеља.
- Користите креветић са спуштеним зидом само у режиму заједничког спавања.
- Дете се може повредити ако је амплитуда замаха превелика.
- Висице колевке могу представљати ризик за другу децу.
- Друга деца могу представљати додатни ризик (нпр. претерано љубање креветића).
- Неравне површине могу узроковати нестабилност производа.
- Поставите висице креветића на такав начин да не постоји ризик од удара љубања (нпр. нема ризика да дете удари у оквир креветића или да кревет удари у други намештај).

## I. ДЕЛОВИ

1. Душек; 2. Монтажна трака; 3. Горњи рукохват; 4. Царриот; 5. Полуга за подешавање висине; 6. Нога оквира; 7. Универзални точак; 8. Спојни елемент;
9. Пластични клип за подршку; 10. Басеплате;

## II. МОНТАЖА ЛЕЖАЧА

- 2.1. Уметните попречну потпорну цев у пластични спој док не чујете шкљоцај.
- 2.2. Уметните цев носача у пластични спој док не чујете шкљоцај.
- 2.3. Убаците потпорну цев у спој док не чујете звук шкљоцања, а затим уметните гвоздену шипку у сет колевка.
- 2.4. Уметните гвоздену шипку у поклопац од тканине.
- 2.5. Гвоздена шипка која је означена испрекиданом линијом треба да буде сакривена у поклопцу.
- 2.6-2.10 Повуците траку кроз квадратни отвор и чврсто учврстите у Д-прстен.
- 2.11. Поставите душек и држите га равним, кревет уз кревет је у потпуности постављен.

**БЕЛЕШКА!** Дјечји креветић је погодан за кревете минималне висине 54 цм и максималне висине 65 цм.

## III. КАКО РАСТАВИТИ ПАДНУ СТРАНУ

- 3.1. Откопчајте патент затварач са обе стране заштитне ограде.
- 3.2. Притисните дугме као што је приказано стрелицом на дугмету, а затим нагоре на горњу шину.
- 3.3. Уклоните крајеве заштитне ограде.
- 3.4. Скините цев заштитне ограде и положите је равно.

**БЕЛЕШКА!** Увек потпуно подигните падну страну када није причвршћена за кревет одрасле особе!

## IV. КАКО ПОДЕСИТИ ВИСИНУ

### ПОДЕШАВАЊЕ ВИСИНЕ

Да бисте променили висину креветића, притисните полуге за подешавање висине на оба краја креветића и поставите га на жељену висину. На располагању је седам подешавања висине креветића. Креветац омогућава постављање различите висине сваког његовог краја.

**УПОЗОРЕЊЕ!** Максимални дозвољени нагиб носилке за креветац је разлика од два нивоа подешавања. Увек држите бебину главу у креветићу на горњем крају носилке.

**УПОЗОРЕЊЕ!** Када подешавате положај висине, уверите се да угао нагиба основе лежишта од краја до краја (од главе до стопала) не буде већи од 10°. р разлика између левог и десног зупчаника треба да буде мања од 2°.

- 4.1. Подигните пластичну ручку за подешавање висине са обе стране, а затим се подиже више.
- 4.2. Подигните пластичну ручку за подешавање висине са обе стране, а затим повуците гнездо надолу, спушта се ниже колико вам је потребно.

## V. ПОВЕЗИВАЊЕ СА КРЕВЕТОМ ОДРАСЛИХ

**УПОЗОРЕЊЕ!** Када користите функцију ноћног кревета, бочна ограда која се мора уклонити и добро чувати.

**УПОЗОРЕЊЕ!** Приликом фиксирања кревета уз кревет, кратка ивица заштитне ограде мора бити уско причвршћена за душек за одрасле како би се избегао зазор.

**БЕЛЕШКА!** Када се користи као кревет уз кревет, дно колица мора бити паралелно са тлом. Не сме бити разлике у висини између крајева креветића.

**БЕЛЕШКА!** Пре сваке употребе, уверите се да нема размака између креветског душека одрасле особе и бочне стране креветића.

**УПОЗОРЕЊЕ!** Овај производ се може користити само са креветима и/или душецима који имају равне ивице. Немојте користити овај производ са креветима и/или душецима који су заобљени или са воденим креветима.

## ТИП КРЕВЕТА ЗА ОДРАСЛЕ СА КОЈИМ СЕ КРЕВЕТ УЗ КРЕВЕТ МОЖЕ ИЛИ НЕ МОЖЕ КОРИСТИТИ

**УПОЗОРЕЊЕ!** Систем за причвршћивање се УВЕК мора користити у режиму спавања уз кревет:

- Поравнајте креветић директно поред родитељског кревета и провучите систем за причвршћивање испод душека кревета и око оквира кревета.
  - Осигурајте систем за причвршћивање тако што ћете спојити и спојити копче копче. Повуците траку да бисте безбедно причврстили систем за причвршћивање за кревет.
  - Душек, опруге са кутијом и поравнати оквир; Прихватљиви услови кревета за одрасле за режим заједничког спавања (оквир кревета у линији).
  - Неприхватљиви услови кревета за одрасле за режим заједничког спавања (оквир кревета није у линији).
- Није погодно за употребу поред водених кревета или дечијих кревета.

- Оставите креветић до кревета одрасле особе.
- Повежите креветић уз кревет и кревет за одраслу особу помоћу траке, трака треба да се постави између душека и оквира кревета за одрасле.

**УПОЗОРЕЊЕ!** Када користите функцију ноћног кревета, бочна ограда која се мора уклонити и добро чувати.

**УПОЗОРЕЊЕ!** Приликом фиксирања кревета уз кревет, кратка ивица заштитне ограде мора бити уско причвршћена за душек за одрасле како би се избегао зазор. Ноћни кревет се може користити само за кревет за одрасле. У међувремену, растојање од најниже доње стране поравнатог кревета за одрасле (стране пада) до земље треба да буде више од 20 цм.

- Уверите се да стапало допире до бочне плоче кревета.
- Није погодно за употребу поред водених кревета или дечијих кревета.

## ФУНКЦИЈА СПАВАЊА УЗ КРЕВЕТ

5.1-5.3 Да бисте користили производ као кревет уз кревет, потребно га је преуредити. Поступак:

- Откопчајте рајсферслусе на оба краја преклопне стране.
- Гурните браве да бисте ослободили држао оградe.
- Спустите преклопну страну носиле.
- Поставите креветић на страну кревета одрасле особе и поставите висину креветића тако да врх душека кревета буде у равни - или не више од 2 цм изнад - горње ивице стране на преклапање.
- Провуците траке за причвршћивање креветића испод душека кревета и закачите крајеве преко оквира кревета одрасле особе на супротној страни кревета. Крајеви морају бити усправни између оквира кревета и душека.
- Причврстите траке за монтажу на креветац помоћу копчи.
- Затегните траке за причвршћивање и уверите се да ово одржава креветац стабилним и чврсто причвршћен за кревет одрасле особе.

## VI. КАКО КОРИСТИТИ КОЧНИЦУ

- Да бисте закључали тачкове креветића, притисните језичке кочнице на сваком од тачкова.
- Да бисте ослободили тачкове, подигните језичке кочнице.

## VII. ЧИШЋЕЊЕ И ОДРЖАВАЊЕ

- Очистите металне и пластичне делове влажном крпом и благим детергентом.
- За чишћење користите воду са сапуном или меки детергент за чишћење. Оперите врећцу сапуном водом. Немојте пеглати. Не избељивати.
- НЕ постављајте креветић близу грејних уређаја јер ће оштетити пластику и тканине.
- НЕМОЈТЕ користити креветац ако неки делови недостају, ако су оштећени или поломљени. Молимо контактирајте наше дистрибутере. НЕ замењујте делове.

Коришћени материјали: пластика, текстил, метал

Произведено за Kikka Group Ltd., Васил Левски 121, Пловдив, Бугарска. Произведено у Кини.  
У складу са EN 1130:2019+АЦ:2020; EN 16890:2017+A1:2021.

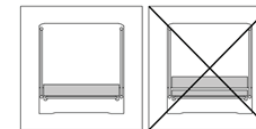
## ПРЕДУПРЕДУВАЊЕ!

- Не користете го овој производ без претходно да ги прочитате упатствата за употреба.
- Престанете да го користите производот веднаш штом детето може да седне или да клекне или да се повлече нагоре.
- Ставањето дополнителни предмети во производот може да предизвика задушување.
- Не ставајте го производот блиску до друг производ, што може да претставува опасност од задушување или давање, на пр. жици, жици за слепи / завеси, итн.

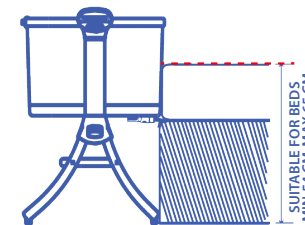


## ПРЕДУПРЕДУВАЊЕ!

- Не користете повеќе од еден душек во производот.
- Шината не смеа да биде повисока од душекот за кревет за возрасни.
- За да се избегне ризикот од задавување на вашето дете, системот за причврстување на креветот на возрасен секогаш треба да се чува подалеку и надвор од креветчето.
- Користете го само душекот што се продава со ова креветче, не додавајте втор душек на ова, опасност од задушување.
- Внимавајте на ризикот од отворен оган и други извори на сила топлота, како што се пожари од електрични шипки, итн. во близина на креветчето (креветче и виснат кревет).



- Производот треба да се постави на хоризонтален под.
- На малите деца не треба да им се дозволува да играат без надзор во близина на креветчето.
- Креветчето треба да се заклучи во фиксирана положба кога детето е оставено без надзор.
- Сите монтажни фитинзи треба секогаш да се затегнуваат правилно и да се внимава да не се олабават завртките, бидејќи детето може да заглави делови од телото или облеката (на пр. жици, гедани, панделки за бебиња, итн.) што би претставувало ризик од давање. Вршете рутински проверки за да бидете сигурни дека нема лабави, оштетени или исчезнати делови.
- Не користете душек за креветчето различен од овој, обезбеден со производот и одобрен од производителот.
- Ако користите различен душек од продаваниот со креветчето, ве молиме проверете дали е со соодветна дебелина и дека е соодветен со креветчето. Дебелината на избраниот душек треба да биде таква што внатрешната вертикална висина (површината на врвот на душекот до горниот раб на страните на креветот) е најмалку 200 mm во највисоката положба на основата на креветот.
- Ако користите различен душек од продадениот со креветчето, должината и ширината треба да бидат такви што максималната празнина помеѓу душекот и страните и краевите не надминува 30 mm.
- Наклонот на креветчето е дозволен со максимален јаз од 2 позиции помеѓу едното и другото стапало.
- Главата на детето секогаш треба да биде поставена на највисоката страна.
- НЕ користете креветче ако некој дел недостасува, оштетен или скршен. Ве молиме, контактирајте со нашите дистрибутери. НЕ заменувајте делови.
- Душекот на родителскиот кревет секогаш треба да биде повисок од страната на креветчето. Ако не, користете го системот за прилагодување за да бидете сигурни дека висината е точна на двете страни.
- Системот за причврстување е обезбеден со креветчето. Не користете друг систем за причврстување.
- Праговите покрај креветот никогаш не смеат да се користат во навалена положба.
- За да се спречи опасност од задушување од заробување, креветот за спиење треба да биде соодветно причврстен за креветот за возрасни со помош на системот за причврстување.
- Никогаш не треба да има празнина помеѓу долната страна на креветот покрај креветот и душекот на креветот за возрасни. Проверете ја затегнатоста на системот за причврстување пред секоја употреба со повлекување на креветчето за спиење во насока подалеку од креветот за возрасни.
- Ако има празнина помеѓу креветот за спиење и креветот за возрасни, НЕ користете го производот.
- Празнините не треба да се пополнуваат со перници, кебиња или други предмети.



## ОПАСНОСТ! Секогаш целосно кревајте ја падната страна кога не е прикачена на креветот на возрасен.

- Возраст за употреба: 0-6 месеци, макс. тежина 9 кг.
- Производот е подготвен за употреба само кога механизмите за заклучување се вклучени.
- Проверете дали се добро фиксирани пред употреба.
- Кога вашето дете е без надзор во производот во „Конфигурација на креветчето“, секогаш внимавајте страничните страни да се подигнати и патентите да се целосно затворени.
- Не користете го телото на креветчето без нејзината рамка.
- Склопете, расклопете и преклопете го производот САМО од возрасен!
- НЕ дозволувајте деца под 3 години додека целосно не го склопат производот за да избегнете пристап до мали и расклопени делови!
- Секој пластичен капак треба да се отстрани, уништи или да се чува подалеку од деца за да се избегне задушување.
- Осигурајте се дека стапалата на креветчето се целосно издолжени кога ги користите како самостојно креветче.
- Не користете го креветчето ако висината на вашиот кревет е помала од 54 cm или повеќе од 65 cm над подот.
- Употребата на производот е дозволена само со кревети и/или душек со прави страни! Употребата на производот со тркалезни кревети и/или душеци или водени кревети или душек на надувување итн. НЕ Е ДОЗВОЛЕНА!
- Кога производот се користи во „Режим за заедничко спиење“ (причврстување на креветот) тој секогаш треба да се постави на долгата страна од пристапот до креветот. НЕ го фиксирајте производот на главата или на дното на креветот!

## ВАЖНО ЗА БЕЗБЕДНОСТ НА ВАШЕТО ДЕТЕ!

- Функцијата „Co-sleeping“ е применлива САМО за типот на кревети што ги исполнуваат сите услови опишани погоре и во овој став! Конкретно,

страничната потпора на креветчето секогаш треба да биде блиску до душекот на родителот и душекот секогаш треба да биде усогласен со висината на страничната потпора за прицврстување на креветчето.

- Понатаму, креветчето мора да биде цврсто прицврстено на структурата на родителскиот кревет или на потпирачот за душекот ( мрежа или летви).
- Кога го користите производот во функцијата „Co-sleeping“, за да се спречи опасност од задушнување од заробување, креветчето за спиење треба правилно да се прицврсти за креветот за возрастни со помош на системот за прицврстување.
- Никогаш нема да има празнина помеѓу долната страна на креветот за спиење и душекот на креветот за возрастни.
- Проверете ја затегнатоста на системот за прицврстување пред секоја употреба со повлекување на креветчето за спиење во насока подалеку од креветот за возрастни.
- Ако има празнина помеѓу креветот за спиење и креветот за возрастни, НЕ користете го производот.
- Проверете дали креветчето во режим на заедничко спиење не се меша со креветот на родителите.
- Душекот на родителскиот кревет секогаш треба да биде повисок од страната на креветчето. Ако не, користете го системот за прилагодување за да бидете сигурни дека висината е точна на двете страни.
- Пред секоја употреба, секогаш проверувајте дали нема простор помеѓу душекот на родителскиот кревет и сидот на креветчето. Повлечете го и затегнете го системот за прицврстување додека не се врати дозволената состојба.
- Секогаш кога страничниот сид е спуштен, проверете дали положбата на родителскиот душек не е сменета!
- Кога страничниот сид на креветчето е спуштен, треба да се користи само кога е прикачен на родителскиот кревет.
- Користете го креветчето со спуштен сид само во режим на заедничко спиење.
- Детето може да се повреди ако амплитудата на замавот е прекумерна.
- Суспендираните креветчиња може да претставуваат ризици за другите деца.
- Другите деца може да претставуваат дополнителни ризици (на пр. со прекумерно замавнување на креветчето).
- Нерамните површини може да предизвикаат нестабилност на производот.
- Лоцирајте ги суспендираните креветчиња на таков начин што нема ризик од удар од замав (на пр. нема ризик детето да удри во рамката на креветчето или креветчето да удри во друг мебел).

## I. ДЕЛОВИ

1. Душек; 2. Лента за монтирање; 3. Горна ограда; 4. Количка; 5. Рачка за прилагодување на висината; 6. Рамка нога; 7. Универзално тркало; 8. Поврзувачки елемент; 9. Потпорна пластична штипка; 10. Основна плоча;

## II. СОСТАВУВАЊЕ НА СППААЧОТ ПО КРЕВЕТ

- 2.1. Вметнете ја попречната потпорна цевка во пластичниот спој додека не слушнете звук на кликање.
- 2.2. Вметнете ја цевката за заграда во пластичниот спој додека не слушнете звук на кликање.
- 2.3. Вметнете ја потпорната цевка во спојницата додека не слушнете звук на кликање, а потоа вметнете ја железната прачка во комплетот на корпата.
- 2.4. Вметнете ја железната прачка во платнениот капак.
- 2.5. Железната прачка која е означена со точки треба да биде скриена во капакот.
- 2.6-2.10 Ставете ја лентата низ квадратната дупка и цврсто фиксирајте ја во прстенот Д.
- 2.11. Ставете го душекот, па држете го рамно, креветот за спиење е целосно инсталиран.

**ЗАБЕЛЕШКА!** Детското креветче е погодно за кревети со минимална висина 54 cm и максимална висина 65 cm.

## III. КАКО ДА ЈА РАСКЛОПИТЕ СТРАНАТА ЗА ПАЃАЊЕ

- 3.1. Откачете го патентот од двете страни на заштитната ограда.
- 3.2. Притиснете го колчето како што е означено со стрелката на копчето, а потоа нагоре на горната шина.
- 3.3. Отстранете ги краевите на заштитната ограда.
- 3.4. Спуштете ја заштитната цевка и поставете ја рамно.

**ЗАБЕЛЕШКА!** Секогаш целосно кревајте ја падната страна кога не е прикачена на креветот на возрастен!

## IV. КАКО ДА ЈА ПРИЛАГОДИТЕ ВИСИНАТА

### ПОСТАВУВАЊЕ ВИСИНА

За да ја смените висината на креветчето, притиснете ги лостовите за прилагодување на висината на двата краја на креветчето и поставете го креветчето на саканата висина. Достапни се седум поставки за висина на креветчето. Креветчето овозможува поставување на различна висина на секој од неговите краеви.

## ПРЕДУПРЕДУВАЊЕ!

Максималното дозволено навалување на креветчето за носење е разлика од две нивоа на поставување. Секогаш држете ја главата на бебето во креветчето на повисокиот крај на корпата.

## ПРЕДУПРЕДУВАЊЕ!

Кога ја прилагодувате висинската положба, проверете дали аголот на наклонот на основата на корпата од крај до крај (глава до стапала) не треба да биде поголем од 10°.Ог, разликата помеѓу висинските леви и десни запчаници треба да биде помала од 2°.

- 4.1. Подигнете ја пластичната рачка за прилагодување на висината од двете страни, а потоа доаѓа повисоко.
- 4.2. Подигнете ја пластичната рачка за прилагодување на висината од двете страни, а потоа повлечете го гнездото надолу, се спушта подолу колку што ви треба.

## V. ПОВРЗУВАЊЕ СО ВОЗРАСНИОТ КРЕВЕТ

## ПРЕДУПРЕДУВАЊЕ!

Кога ја користите функцијата за креветот покрај креветот, страничната шина што се спушта што мора да се отстрани и добро да се чува.

## ПРЕДУПРЕДУВАЊЕ!

При фиксирање на креветот покрај креветот, краткиот раб на заштитната ограда мора да биде тесно наместен со душекот за возрастни за да се избегне каква било празнина.

## ЗАБЕЛЕШКА!

Кога се користи како кревет за спиење, дното на корпата мора да биде паралелно со земјата. Нема да има разлика во висината помеѓу краевите на креветчето.

## ЗАБЕЛЕШКА!

Пред секоја употреба, проверете дали нема празнина помеѓу душекот за креветот на возрастен и страничниот дел на креветчето.

## ПРЕДУПРЕДУВАЊЕ!

Овој производ може да се користи само со кревети и/или душеци кои имаат прави рабови. Не користете го овој производ со заоблени кревети и/или душеци или со водени кревети.

## ТИПОТ ЗА ВОЗРАСНИ КРЕВЕТИ СО КОИ МОЖЕ ИЛИ НЕ МОЖЕ ДА СЕ КОРИСТИ СПИЕЧОТ ПОКРАЈ КРЕВЕТОТ

## ПРЕДУПРЕДУВАЊЕ!

Системот за прицврстување мора СЕКОГАШ да се користи во режим на спиење покрај креветот:

- 5.4. Порамнете го креветчето директно до родителскиот кревет и поминете го системот за прицврстување под душекот на креветот и околу рамката на креветот.
  - 5.5. Обезбедете го Системот за прицврстување со поврзување и спојување на бравите на спојниците. Повлечете го ременот за да го затегнете Системот за прицврстување безбедно на креветот.
  - 5.6. Душек, пружини за кутии и порамнети рамки; Прифатливи услови за кревет за возрастни за режим на ко спиење (рамка на креветот во линија).
  - 5.7. Неприфатливи услови за кревет за возрастни за режим на спиење (рамката на креветот не е во линија).
- Не е погоден за употреба покрај кревети за вода или детски кревети.

- Оставете го креветчето покрај креветот кон креветот на возрастните.
- Поврзете го креветчето покрај креветот и креветот за возрастни со ремен, ременот треба да се стави помеѓу душекот и рамката на креветот за возрастни.

## ПРЕДУПРЕДУВАЊЕ!

Кога ја користите функцијата за креветот покрај креветот, страничната шина што се спушта што мора да се отстрани и добро да се чува.

## ПРЕДУПРЕДУВАЊЕ!

При фиксирање на креветот покрај креветот, краткиот раб на заштитната ограда мора да биде тесно наместен со душекот за возрастни за да се избегне каква било празнина. Преспивачот покрај креветот може да се користи само за подреден кревет за возрастни. Во меѓувреме, растојанието од најниската долна страна на подредениот кревет за возрастни (страната што паѓа) до земјата треба да биде повеќе од 20 cm.

- 5.2 Проверете дали стапалото допира до даската од креветот.
- 5.3 Не е pogodно за употреба покрај кревети за вода или детски кревети.

## ФУНКЦИЈА ЗА СПИЕЊЕ ПОКРАЈ КРЕВЕТОТ

5.1-5.3 За да го користите производот како легло покрај креветот, треба да се конвертира. Постапката:

1. Откачете ги патентите на двата краја од страната на преклопување.
2. Лизгајте ги бравите за да го ослободите држачот на оградата.
3. Слуштете ја преклопната страна на корпата за носење.
4. Ставете го креветчето на страната на креветот на возрастен и поставете ја висината на креветчето така што горниот дел од душекот на креветот да биде рамно со - или не повеќе од 2 cm над - горниот раб на преклопната страна.
5. Поминете ги ремените за монтирање на креветчето под душекот на креветот и закачете ги краевите преку рамката на креветот на возрастен од спротивната страна од креветот. Краевите мора да бидат исправени помеѓу рамката на креветот и душекот.
6. Прицврстете ги ремените за монтирање на креветчето со помош на споите.
7. Затегнете ги ремените за монтирање и проверете дали ова го одржува креветчето стабилно и цврсто прицврстен за креветот на возрастен.

## VI. КАКО ДА СЕ КОРИСТИ СОЧИРКАТА

- 6.1. За да ги заклучите тркалата на креветчето, притиснете ги јазичињата на сопирачките на секое од тркалата.
- 6.2. За да ги ослободите тркалата, подигнете ги јазичињата на сопирачките.

## VII. ЧИСТЕЊЕ И ОДРЖУВАЊЕ

- Исчистете ги металните и пластичните делови со влажна крпа и благ детергент.
- За чистење користете вода со сапуница или мек детергент за чистење. Рачно измијте ја кесата со вода со сапуница. Не пеглајте. Не белејте.
- НЕ ставајте го креветчето во близина на уреди за греење бидејќи тоа ќе ги оштети пластиката и ткаенините.
- НЕ користете креветче ако некој дел недостасава, оштетен или скршен. Ве молиме, контактирајте со нашите дистрибутери. НЕ заменувајте делови.

Користени материјали: пластика, текстил, метал

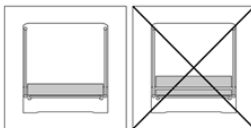
Произведено за Кика Груп ДООЕЛ, Васил Левски 121, Пловдив, Бугарија. Направено во Кина.  
Во согласност со EN 1130:2019+AC:2020; EN 16890:2017+A1:2021.

## PARALAJMËRIM!

- Mos e përdorni këtë produkt pa lexuar më parë udhëzimet për përdorim.
- Ndaloni përdorimin e produktit sapo fëmija të mund të ulet ose të gjunjëzohet ose të tërhiqet lart.
- Vendosja e artikujve shtesë në produkt mund të shkaktojë mbytje.
- Mos e vendosni produktin pranë një produkti tjetër, i cili mund të paraqesë rrezik mbytjeje ose mbytja, p.sh. tela, korda të verbër / perde, etj.

## PARALAJMËRIM!

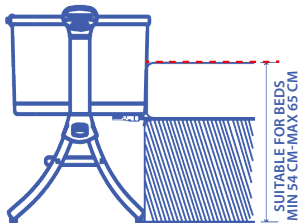
- Mos përdorni më shumë se një dyshek në produkt.
- Hekurudha nuk duhet të jetë më e lartë se dysheku i shtratit të rriturve.
- Për të shmangur rrezikun e mbytjes së fëmijës suaj, sistemi i lidhjes me shtratin e të rriturit duhet të mbahet gjithmonë larg dhe jashtë krevatit.
- Përdorni vetëm dyshekun e shitur me këtë shtrat, mos shtoni dyshek të dytë në këtë, rrezik mbytjeje.
- Jini të vetëdijshëm për rrezikun e zjarrit të hapur dhe burimeve të tjera të nxehtësisë së fortë, të tilla si zjarret e bareve elektrike, etj. në afërsi të krevatit (krevat fëmijësh dhe shtrat të varur).



- Produkti duhet të vendoset në një dyshe horizontal.
- Fëmijët e vegjël nuk duhet të lejohen të luajnë pa mbikëqyrje në afërsi të krevatit.
- Krevati duhet të mbyllet në pozicionin fiks kur fëmija lihet pa mbikëqyrje.
- Të gjitha pajisjet e montimit duhet të shtrëngohen gjithmonë siç duhet dhe duhet pasur kujdes që asnjë vidë të mos lirohet, sepse një fëmijë mund të bllokojë pjesë të trupit ose veshjeve (p.sh. fije, gjerdan, shirita për bedelët e foshnjave, etj.) të cilat mund të paraqesin rrezik mbytjeje. Kryeni kontrole rutinë për t'u siguruar që nuk ka pjesë të lira, dëmtime ose që mungojnë.
- Mos përdorni dyshek për krevat fëmijësh të ndryshëm nga ky, i dhënë me produktin dhe i miratuar nga prodhuesi.
- Nëse përdorni një dyshek të ndryshëm nga ai i shitur me krevat fëmijësh, ju lutemi sigurohuni që të jetë me trashësinë e duhur dhe të jetë i përshtatshëm me krevat fëmijësh. Trashësia e dyshekut të zgjedhur duhet të jetë e tillë që lartësia e brendshme vertikale (sipërfaqja e majës së dyshekut deri në skajin e sipërm të anëve të shtratit) të jetë së paku 200 mm në pozicionin më të lartë të bazës së shtratit.
- Nëse përdorni një dyshek të ndryshëm nga ai i shitur me krevat fëmijësh, gjatësia dhe gjerësia duhet të jenë të tilla që hendeku maksimal midis dyshekut dhe anëve dhe skajeve të mos kalojë 30 mm.
- Pjerrësia e krevatit lejohet me një hendek maksimal prej 2 pozicione midis njëres këmbë dhe tjetrës.
- Koka e fëmijës duhet të jetë gjithmonë në anën më të lartë.
- MOS përdorni krevat fëmijësh nëse ndonjë pjesë mungon, është dëmtuar ose thyer. Ju lutemi, kontaktoni shpërndarësit tanë. MOS ndërroni pjesë.
- Dysheku në shtratin e prindërve duhet të jetë gjithmonë më i lartë se ana e krevatit. Nëse jo, përdorni sistemin e rregullimit për t'u siguruar që lartësia të jetë e saktë në të dyja anët.
- Sistemi i lidhjes është i pajisur me krevat fëmijësh. Mos përdorni sistem tjetër bashkëngjitjeje.
- Fjetësit pranë shtratit nuk duhet të përdoren kurrë në një pozicion të pjerrët.
- Për të parandaluar rrezikun e mbytjes nga bllokimi, shtrati pranë shtratit duhet të fiksohet siç duhet në shtratin e të rriturve duke përdorur sistemin e lidhjes. Nuk duhet të ketë kurrë një hendek midis anës së poshtme të shtratit pranë shtratit dhe dyshekut të krevatit të të rriturve. Kontrolloni ngushtësinë e sistemit të bashkëngjitjes përpara çdo përdorimi duke e tërhequr shtratin pranë shtratit në një drejtim larg nga shtrati i të rriturve.
- Nëse ka ndonjë boshllëk midis shtratit pranë shtratit dhe shtratit të të rriturve MOS përdorni produktin.
- Boshllëqet nuk duhet të mbushen me jastëkë, batanije ose sende të tjera.

## RREZIK! Gjithmonë ngrini plotësisht anën e rënies kur nuk është e lidhur me shtratin e të rriturit.

- Mosha e përdorimit: 0-6 muaj, Maks. pesha 9 kg.
- Produkti është gati për përdorim vetëm kur janë të kyçur mekanizmat e kyçjes.
- Sigurohuni që ato të jenë të fiksuara mirë përpara përdorimit.
- Kur fëmija juaj është i pambikëqyrrur në produktin në "Konfigurimin e djepit", gjithmonë sigurohuni që ana është ngritur dhe zinxhirët janë mbyllur plotësisht.
- Mos e përdorni trupin e krevatit pa kornizën e tij.
- Mblidhni, shpalosni dhe palosni produktin VETËM nga një i rritur!
- MOS lejoni fëmijët nën 3 vjeç derisa të montoni plotësisht produktin për të shmangur aksesin në pjesë të vogla dhe të çmontuara!
- Çdo mbulesë plastike duhet të hiqet, të shkatërrohet ose të mbahet larg fëmijëve për të shmangur mbytjen.
- Sigurohuni që këmbët e djepit të jenë plotësisht të zgjatura kur përdorni si krevat fëmijësh të pavarur.
- Mos e përdorni krevatin nëse lartësia e shtratit tuaj është më pak se 54 cm ose më shumë se 65 cm mbi dyshe.
- Përdorimi i produktit lejohet vetëm me krevate dhe/ose dyshek me anë të drejta! NUK LEJOHET përdorimi i produktit me krevate të rumbullakëta dhe/ose dyshek ose shtretër uji ose dyshek të fryrë, etj.
- Kur produkti përdoret në "Modalitetin e gjumit bashkë" (fiksimi në shtrat), ai duhet të vendoset gjithmonë në anën e gjatë të hyrjes në shtrat. MOS e fiksoni produktin në kokë ose në fund të krevatit!



SUITABLE FOR BEDS  
MIN 54 CM-MAX 65 CM

## E RËNDËSISHME PËR SIGURINË E FËMIJËS TUAJ!

- Funksioni "Co-Sleeping" zbatohet VETËM me llojin e shtretërve që plotësojnë të gjitha kushtet e përshkruara më sipër dhe në këtë paragraf! Në veçanti, mbështetësja anësore e krevatit duhet të vendoset gjithmonë pranë dyshekut të prindit dhe dysheku duhet të jetë gjithmonë në linjë me lartësinë e suportit anësor për fëmijën e krevatit.

- Për më tepër, djepi duhet të jetë i fiksuar fort në strukturën e shtratit të prindërve ose në mbështetësen e dyshekut (rrjeta ose rrasa).
- Kur përdorni produktin në "Funksionin e përbashkët i gjumit", për të parandaluar rrezikun e mbytjes nga bllokimi, shtrati pranë shtratit duhet të fiksohet siç duhet në shtratin e të rriturve duke përdorur sistemin e lidhjes.
- Nuk do të ketë kurrë një hendek midis anës së poshtme të dhomës së gjumit pranë shtratit dhe dyshekut të shtratit të të rriturve.
- Kontrolloni ngushtësinë e sistemit të bashkëngjitjes përpara çdo përdorimi duke e tërhequr shtratin pranë shtratit në një drejtim larg nga shtrati i të rriturve.
- Nëse ka ndonjë boshllëk midis shtratit pranë shtratit dhe shtratit të të rriturve MOS përdorni produktin.
- Kontrolloni për t'u siguruar që krevati në modalitetin e gjumit të përbashkët të mos ndërhijë në shtratin e prindërve.
- Dysheku në shtratin e prindërve duhet të jetë gjithmonë më i lartë se ana e krevatit. Nëse jo, përdorni sistemin e rregullimit për t'u siguruar që lartësia të jetë e saktë në të dyja anët.
- Para çdo përdorimi, gjithmonë kontrolloni që të mos ketë hapësirë midis dyshekut në shtratin e prindërve dhe murit të krevatit. Tërhiqeni dhe shtrëngoni sistemin e lidhjes derisa të rikthehet gjendja e lejuar.
- Sa herë që ulet muri anësor, kontrolloni që pozicioni i dyshekut prind të mos jetë ndryshuar!
- Kur muri anësor i krevatit është ulur, ai duhet të përdoret vetëm kur është ngjitur në shtratin e prindit.
- Përdorni krevat fëmijësh me mur të ulur vetëm në modalitetin e gjumit të përbashkët.
- Fëmija mund të lëndohet nëse amplituda e lëkundjes është e tepërt.
- Krevatet e varura mund të përbëjnë rrezik për fëmijët e tjerë.
- Fëmijë të tjerë mund të paraqesin rreziqe shtesë (p.sh. duke e lëkundur së tepërmi krevatin).
- Sipërfaqet e pabarabarta mund të shkaktojnë paqëndrueshmëri të produktit.
- Gjeni krevat fëmijësh të varur në mënyrë të tillë që të mos ketë rrezik për goditje me lëkundje (p.sh. mos rrezik që fëmija të godasë kornizën e krevatit ose krevati të godasë mobilje të tjera).

## I. PJESËT

- Dyshek; 2. Rrip montimi; 3. Parmak i sipërm; 4. Karrocë; 5. Levë e rregullimit të lartësisë; 6. Këmba e kornizës; 7. Rrota universale; 8. Element lidhës; 9. Kapëse plastike mbështetëse; 10. Bazamenti;

## II. MBLEDHJA E GJUMËSISË NË KRETI

- Fusni tubin mbështetës tërthor në bashkimin plastik derisa të dëgjoni një tingull klikimi.
- Fusni tubin Bracket në bashkimin plastik derisa të dëgjoni një tingull klikimi.
- Fusni tubin mbështetës në bashkimin plastik derisa të dëgjoni një tingull klikimi, më pas futeni shufrën e hekurit në grupin e kosit.
- Fusni shufrën e hekurit në kapakun e leckës.
- Shufra e hekurit e shënuar në vijë me pika duhet të fshihet në kapak.
- 2.6-2.10 Vendosni kalimet e shiritit përmes vrimës katrore dhe fiksoni fort në unazën D.
- 2.11. Vendosni dyshekun dhe më pas mbajeni të sheshtë, shtrati pranë shtratit është instaluar plotësisht.

**SHËNIM!** Krevati për bebe është i përshtatshëm për krevate me lartësi minimale 54 cm dhe lartësi maksimale 65 cm.

## III. SI TË ÇMONTONI ANËN E RËNIES

- Zhblokonti zinxhirin nga të dyja anët e parmakut.
- Shtypni butonin siç tregohet nga shigjeta në buton, më pas lart në shinat e sipërme.
- Hiqni skajet e parmakëve mbrojtës.
- Hiqeni tubin mbrojtës dhe vendoseni të sheshtë.

**SHËNIM!** Gjithmonë ngrini plotësisht anën e rënies kur nuk është e lidhur me shtratin e të rriturit!

## IV. SI TË RREGULLONI LARTËSINË

### VENDOSJA E LARTËSISË

Për të ndryshuar lartësinë e krevatit, shtypni levat e rregullimit të lartësisë në të dy skajet e krevatit dhe vendosni krevatin në lartësinë e dëshiruar. Ekzistojnë shtatë cilësime të lartësisë së djepit. Krevati ju lejon të vendosni një lartësi të ndryshme të secilit prej skajeve të tij.

**PARALAJMËRIM!** Pjerrësia maksimale e lejuar e krevatit të krevatit është një ndryshim prej dy nivelesh vendosjeje. Mbajeni gjithmonë kokën e foshnjës në krevat fëmijësh në skajin më të lartë të kosit.

**PARALAJMËRIM!** Kur rregulloni pozicionin e lartësisë, sigurohuni që këndi i pjerrësisë së bazës së kollës nga skaji në skaj (koka të këmbët) të mos jetë më i madh se 10°.Or, diferenca midis marsheve majtas dhe djathtas të lartësisë duhet të jetë më e vogël se 2°.

- Ngrini lart dorezën e rregullimit të lartësisë plastike nga të dyja anët, pastaj ajo vjen më lart.
- Ngrini lart dorezën plastike të rregullimit të lartësisë nga të dyja anët, më pas tërhiqeni folenë, ajo zbrit më poshtë sipas nevojës.

## V. LIDHJA ME SHTRATIN E TË RITURIT

**PARALAJMËRIM!** Kur përdorni funksionin e krevatit pranë shtratit, hekuri anësor duhet të hiqet dhe të mbahet mirë.

**PARALAJMËRIM!** Kur rregulloni shtratin pranë shtratit, buza e shkurtër e parmakut duhet të jetë e lidhur ngushtë me dyshekun e të rriturve për të shmangur çdo boshllëk.

**SHËNIM!** Kur përdoret si shtrat i gjumit, fundi i kosit duhet të jetë paralel me tokën. Nuk do të ketë asnjë ndryshim në lartësi midis skajeve të djepit.

**SHËNIM!** Para çdo përdorimi, sigurohuni që të mos ketë boshllëk midis dyshekut të shtratit të të rriturve dhe anës së krevatit.

**PARALAJMËRIM!** Ky produkt mund të përdoret vetëm me krevate dhe/ose dyshekë që kanë skaje të drejta. Mos e përdorni këtë produkt me shtretër dhe/ose dyshekë të rrumbullakosura ose me shtretër uji.

**LLOJI I SHTRETËRVE TË TË RRIURVE ME TË CILËT MUND OSE NUK MUND TË PËRDORË TË SHËNDRUESHËM**

**PARALAJMËRIM!** Sistemi i bashkëngjitjes duhet të përdoret GJITHMONË në modalitetin e gjumit pranë shtratit:

- 5.4. Rreshtoni krevatin drejtpërsëdrejti pranë shtratit të prindit dhe kaloni sistemin e ngjitjes poshtë dyshekut të krevatit dhe rreth kornizës së krevatit.
- 5.5. Siguroni sistemin e bashkëngjitjes duke i lidhur dhe kaluar kopset e kapësës së bashku. Tërhiqeni rripin për të shtrënguar mirë sistemin e ngjitjes në shtrat.
- 5.6. Dysheku, sustat e kutisë dhe kornizë; Kushtet e pranueshme të shtratit të të rriturve për modalitetin e gjumit bashkë (korniza e krevatit në linjë).
- 5.7. Kushtet e papranueshme të shtratit të të rriturve për modalitetin e gjumit bashkë (korniza e krevatit jo në linjë). Jo i përshtatshëm për t'u përdorur pranë shtretërve me ujë ose shtretërve të fëmijëve.

- Lëreni krevatin pranë shtratit drejt shtratit të të rriturve.
- Lidhni krevatin pranë shtratit dhe krevatin e të rriturve me rrip, rripi duhet të vendoset midis dyshekut dhe kornizës së krevatit të të rriturve.

**PARALAJMËRIM!** Kur përdorni funksionin e krevatit pranë shtratit, hekuri anësor duhet të hiqet dhe të mbahet mirë.

**PARALAJMËRIM!** Kur rregulloni shtratin pranë shtratit, buza e shkurtër e parmakut duhet të jetë e lidhur ngushtë me dyshekun e të rriturve për të shmangur çdo boshllëk. Gjumi pranë shtratit mund të përdoret vetëm për shtratin e rreshtuar të të rriturve. Ndërkohë distanca nga ana më e ulët e poshtme e shtratit të rreshtuar të të rriturve (ana e rënies) deri në tokë duhet të jetë më shumë se 20 cm.

- 5.2 Sigurohuni që këmba të arrijë në dërrasën anësore të shtratit.
- 5.3 Jo i përshtatshëm për t'u përdorur pranë shtretërve me ujë ose shtretërve të fëmijëve.

## FUNKSIONI I GJUMIT PRANË KREVATIT

5.1-5.3 Për të përdorur produktin si një shtrat në shtrat, ai duhet të konvertohet. Procedura:

1. Zhbllokoni zinxhirët në të dy skajet e anës së palosshme.
2. Rrëshqitni bravat për të liruar mbajtësin e kangjellave.
3. Uleni anën e palosshme të kornizës.
4. Vendoseni krevatin anash krevatit të të rriturit dhe vendosni lartësinë e krevatit në mënyrë që pjesa e sipërme e dyshekut të krevatit të jetë në nivel me - ose jo më shumë se 2 cm sipër - skajit të sipërm të anës së palosshme.
5. Kaloni rripat e montimit të krevatit nën dyshekun e krevatit dhe lidhni skajet mbi kornizën e shtratit të të rriturit në anën e kundërt të krevatit. Skajet duhet të jenë të drejtë midis kornizës së shtratit dhe dyshekut.
6. Siguroni rripat e montimit në krevat fëmijësh duke përdorur kapëset.
7. Shtrëngoni rripat e montimit dhe sigurohuni që kjo ta mbajë krevat fëmijësh të qëndrueshëm dhe ngjitur fort në shtratin e të rriturit.

## VI. SI TË PËRDORNI FRENATIN

- 6.1. Për të kyçur rrotat e krevatit, shtypni skadat e frenave në secilën prej rrotave.
- 6.2. Për të lëshuar rrotat, ngrini foletë e frenave.

## VII. PASTRIMI DHE MIRËMBAJTJA

- Pastroni pjesët metalike dhe plastike me një leckë të lagur dhe një detergjent të butë.
- Për pastrim përdorni ujë me sapun ose detergjent të butë pastrimi. Lani qesën me dorë me ujë me sapun. Mos hekurosi. Mos zbardhoni.
- MOS e vendosni krevatin pranë pajisjeve ngrohëse sepse do të dëmtojë plastikën dhe pëlhurat.
- MOS përdorni krevat fëmijësh nëse ndonjë pjesë mungon, është dëmtuar ose thyer. Ju lutemi, kontaktoni shpërndarësit tanë. MOS ndëroni pjesë.

Materialet e përdorura: Plastikë, tekstil, metal

**Prodhuar për Kika Group Ltd., Vasil Levski 121, Plovdiv, Bullgari. Prodhuar në Kinë.**  
Përpunet me EN 1130:2019+AC:2020; EN 16890:2017+A1:2021.

## UPOZORENJE!

1. Nemojte koristiti ovaj proizvod bez prethodnog čitanja uputstava za upotrebu.
2. Prestanite koristiti proizvod čim dijete bude moglo sjediti, klečati ili se podizati.
3. Stavljajte dodatnih predmeta u proizvod može uzrokovati gušenje.
4. Ne stavljajte proizvod blizu drugog proizvoda, koji može predstavljati opasnost od gušenja ili davljenja, npr. uzice, vezice za roletne/zavese, itd.

## UPOZORENJE!

1. Nemojte koristiti više od jednog duška u proizvodu.
2. Ograda ne smije biti viša od duška za odraslu osobu.
3. Kako biste izbjegli rizik da vaše dijete bude zadavljeno, sistem vezivanja za krevet odrasle osobe uvijek treba držati dalje od krevetića i van njega.
4. Koristite samo dušek koji se prodaje uz ovaj krevetić, nemojte dodavati drugi madrac na ovaj, postoji opasnost od gušenja.
5. Budite svjesni rizika od otvorene vatre i drugih izvora jake topline, kao što su vatra na električnim šipkama, itd. u neposrednoj blizini krevetića (krevetac i viseći krevet).

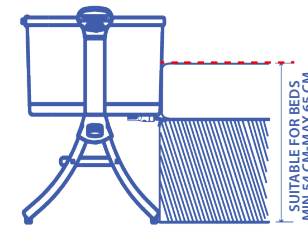
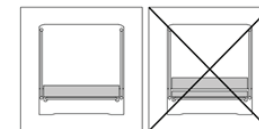
- Proizvod treba postaviti na vodoravni pod.
- Maloj djeci ne bi trebalo dozvoliti da se igraju bez nadzora u blizini krevetića.
- Krevetac treba da bude zaključan u fiksnom položaju kada je dete ostavljeno bez nadzora.
- Svi spojevi za montažu uvijek treba dobro zategnuti i paziti da nijedan šraf ne bude labav, jer bi dijete moglo zarobiti dijelove tijela ili odjeće (npr. vezice, ogrlice, vrpce za lutke za bebe, itd.) što bi moglo predstavljati opasnost od odlaganja. davljenja. Izvršite rutinske provjere kako biste bili sigurni da nema labavih, oštećenja ili dijelova koji nedostaju.
- Nemojte koristiti madrac za krevetić drugačiji od ovog, koji je isporučen uz proizvod i odobren od strane proizvođača.
- Ako uz krevetac koristite madrac koji se razlikuje od onih koji se prodaju, uvjerite se da je odgovarajuće debljine i da je prikladan za krevetić. Debljina odabranog duška mora biti takva da unutrašnja vertikalna visina (površina vrha duška od gornje ivice stranica kreveta) bude najmanje 200 mm u najvišoj poziciji postolja kreveta.
- Ako uz krevetac koristite madrac koji se razlikuje od onih koji se prodaju, dužina i širina moraju biti takve da maksimalni razmak između madraca i stranica i krajeva ne prelazi 30 mm.
- Nagib krevetića je dozvoljen sa maksimalnim razmakom od 2 položaja između jedne i druge noge.
- Glava djeteta uvijek treba biti postavljena na najvišu stranu.
- NEMOJTE koristiti krevetić ako neki dijelovi nedostaju, ako su oštećeni ili slomljeni. Molimo kontaktirajte naše distributere. NEMOJTE zamenjivati delove.
- Dušek na roditeljskom krevetu uvek treba da bude viši od stranice krevetića. Ako nije, koristite sistem za podešavanje kako biste bili sigurni da je visina ispravna s obje strane.
- Sistem pričvršćivanja je obezbeđen uz krevetić. Nemojte koristiti drugi sistem pričvršćivanja.
- Noćni kreveti se nikada ne smiju koristiti u nagnutom položaju.
- Kako bi se spriječila opasnost od gušenja od ukliještenja, krevet uz krevet mora biti pravilno pričvršćen za krevet za odrasle pomoću sistema za pričvršćivanje. Nikada ne smije biti razmaka između donje strane kreveta uz krevet i duška kreveta za odrasle. Prije svake upotrebe proverite čvrstoću sistema za pričvršćivanje tako što ćete povući krevet uz krevet u smjeru dalje od kreveta za odrasle.
- Ako postoji bilo kakav razmak između kreveta uz krevet i kreveta za odrasle NEMOJTE koristiti proizvod.
- Praznine ne treba popunjavati jastucima, ćebadima ili drugim predmetima.

**OPASNOST!** Uvijek potpuno podignite padnu stranu kada nije pričvršćena za krevet odrasle osobe.

- Starost upotrebe: 0-6 mjeseci, Maks. težina 9 kg.
- Proizvod je spreman za upotrebu samo kada su mehanizmi za zaključavanje uključeni.
- Prije upotrebe proverite jesu li dobro pričvršćeni.
- Kada je vaše dijete bez nadzora u proizvodu u "konfiguraciji krevetića", uvijek vodite računa da je strana podignuta i da su patentni zatvarači potpuno zatvoreni.
- Ne koristite tijelo krevetića bez okvira.
- Proizvod sastavlja, rasklapa i sklapa SAMO odrasla osoba!
- NEMOJTE dozvoliti djeci mlađoj od 3 godine dok u potpunosti ne sastave proizvod kako biste izbjegli pristup malim i rastavljenim dijelovima!
- Svaki plastični poklopac treba ukloniti, uništiti ili držati podalje od djece kako bi se izbjeglo gušenje.
- Osigurajte da su noge krevetića potpuno izdužene kada se koristi kao samostalni krevetić.
- Nemojte koristiti krevetić ako je visina vašeg kreveta manja od 54 cm ili više od 65 cm iznad poda.
- Upotreba proizvoda je dozvoljena samo sa krevetima i/ili dušecima sa ravnim stranicama! Upotreba proizvoda sa okruglim krevetima i/ili dušecima ili vodenim krevetima ili dušecima na naduvavanje, itd. NIJE DOZVOLJENA!
- Kada se proizvod koristi u "režimu zajedničkog spavanja" (fiksiranje na krevet), uvijek ga treba postaviti na dužu stranu pristupa krevetu. NEMOJTE fiksirati proizvod za glavu ili dno kreveta!

## VAŽNO ZA SIGURNOST VAŠEG DJETETA!

- Funkcija "Zajedničko spavanje" je primjenjiva SAMO na tipove kreveta koji ispunjavaju sve uslove opisane gore i u ovom stavu! Posebno, bočni oslonac



# BS BITAN! ČUVAJTE ZA BUDUĆE REFERENCE! ČITAJTE PAŽLJIVO!

krevećica uvijek treba staviti blizu duška roditelja, a madrac uvijek treba biti poravnat sa visinom bočnog oslonca za držanje krevećica.

- Nadalje, krevećić mora biti čvrsto fiksiran za konstrukciju kreveta roditelja ili za nosač duška (mreža ili letvice).
- Kada koristite proizvod u „funkcija zajedničkog spavanja“, kako bi se spriječila opasnost od gušenja od zaglavlivanja, krevet uz krevet mora biti pravilno pričvršćen za krevet za odrasle pomoću sistema za pričvršćivanje.
- Nikada ne smije biti razmaka između donje strane kreveta uz krevet i madraca kreveta za odrasle.
- Prije svake upotrebe provjerite čvrstoću sistema za pričvršćivanje tako što ćete povući krevet uz krevet u smjeru dalje od kreveta za odrasle.
- Ako postoji bilo kakav razmak između kreveta uz krevet i kreveta za odrasle NEMOJTE koristiti proizvod.
- Provjerite da li krevećić u režimu zajedničkog spavanja ne ometa roditeljski krevet.
- Dušek na roditeljskom krevetu uvek treba da bude viši od stranice krevećića. Ako nije, koristite sistem za podešavanje kako biste bili sigurni da je visina ispravna s obje strane.
- Prije svake upotrebe uvijek provjerite da nema prostora između duška na roditeljskom krevetu i zida krevećića. Povucite i zategnite sistem pričvršćivanja dok se ne vrati dozvoljeno stanje.
- Kad god se bočna stijenka spušta, provjerite da se položaj roditeljskog duška ne mijenja!
- Kada je bočni zid krevećića spušten, treba ga koristiti samo kada je pričvršćen za krevet roditelja.
- Koristite krevećić sa spuštenim zidom samo u režimu zajedničkog spavanja.
- Dijete se može ozlijediti ako je amplituda zamaha prevelika.
- Višeće kolijevke mogu predstavljati rizik za drugu djecu.
- Druga djeca mogu predstavljati dodatne rizike (npr. pretjerano ljuljanje krevećića).
- Neravne površine mogu uzrokovati nestabilnost proizvoda.
- Višeće krevećiće postavite na takav način da nema opasnosti od udara ljuljanja (npr. nema rizika da dijete udari u okvir krevećića ili da krevec udari u drugi namještaj).

## I. DIJELOVI

1. Dušek; 2. Montažna traka; 3. Gornji rukohvat; 4. Carrycot; 5. Poluga za podešavanje visine; 6. Noga okvira; 7. Univerzalni točak; 8. Spojni element; 9. Noseći plastični klip; 10. Baseplate;

## II. MONTAŽA KUĆE ZA NOĆENJE

- 2.1. Umetnite poprečnu potpornu cijev u plastični spoj dok ne čujete škljocaj.
- 2.2. Umetnite cijev nosača u plastični spoj dok ne čujete škljocaj.
- 2.3. Ubacite potpornu cijev u spoj dok ne čujete škljocaj, a zatim umetnite željeznu šipku u set kolevka.
- 2.4. Umetnite željeznu šipku u platneni poklopac.
- 2.5. Željezna šipka koja je označena isprekidanom linijom treba biti skrivena u poklopcu.
- 2.6-2.10 Povucite traku kroz kvadratni otvor i čvrsto učvrstite u D-prsten.
- 2.11. Postavite madrac, a zatim ga držite ravnim, krevet uz krevet je u potpunosti postavljen.

**BILJEŠKA!** Dječji krevećić je pogodan za krevete minimalne visine 54 cm i maksimalne visine 65 cm.

## III. KAKO RASTAVITI PADNU STRANU

- 3.1. Otkopčajte patent zatvarač sa obe strane zaštitne ograde.
- 3.2. Pritisnite dugme kao što je prikazano strelicom na dugmetu, a zatim prema gore na gornju šinu.
- 3.3. Uklonite krajeve zaštitne ograde.
- 3.4. Skinjte cijev zaštitne ograde i položite je ravno.

**BILJEŠKA!** Uvijek potpuno podignite padnu stranu kada nije pričvršćena za krevet odrasle osobe!

## IV. KAKO PODESITI VISINU

### PODEŠAVANJE VISINE

Da biste promijenili visinu krevećića, pritisnite poluge za podešavanje visine na oba kraja krevećića i postavite ga na željenu visinu. Na raspolaganju je sedam postavki visine krevećića. Krevetac omogućava postavljanje različite visine svakog njegovog kraja.

**UPOZORENJE!** Maksimalni dozvoljeni nagib nosiljke za krevećić je razlika od dva nivoa podešavanja. Glavu bebe uvijek držite u krevećiću na gornjem kraju nosiljke.

**UPOZORENJE!** Kada podešavate položaj visine, uverite se da ugao nagiba osnove kolevka od kraja do kraja (od glave do stopala) ne bude veći od 10°. Or razlika između levog i desnog zupčanika mora biti manja od 2°.

- 4.1. Podignite plastičnu ručku za podešavanje visine s obje strane, a zatim se podiže više.
- 4.2. Podignite plastičnu ručku za podešavanje visine s obje strane, a zatim povucite gnijezdo prema dolje, spušta se prema potrebi.

## V. POVEZIVANJE SA KREVEKOM ODRASLIH

**UPOZORENJE!** Kada koristite funkciju noćnog kreveta, bočna ograda koja se mora ukloniti i dobro održavati.

**UPOZORENJE!** Prilikom fiksiranja kreveta uz krevet, kratka ivica zaštitne ograde mora biti usko postavljena na dušek za odrasle kako bi se izbjegao razmak.

**BILJEŠKA!** Kada se koristi kao krevet uz krevet, dno kolica mora biti paralelno sa tlom. Ne smije biti razlike u visini između krajeva krevećića.

# BS BITAN! ČUVAJTE ZA BUDUĆE REFERENCE! ČITAJTE PAŽLJIVO!

**BILJEŠKA!** Prije svake upotrebe provjerite da nema razmaka između krevetskog duška odrasle osobe i bočne stranice krevećića.

**UPOZORENJE!** Ovaj proizvod se može koristiti samo s krevetima i/ili madracima koji imaju ravne ivice. Nemojte koristiti ovaj proizvod sa krevetima i/ili dušecima koji su zaobljeni ili sa vodenim krevetima.

## VRSTA KREVETA ZA ODRASLE UZ KOJE SE KREKET UZ KREKET MOŽE ILI NE MOŽE KORISTITI

**UPOZORENJE!** Sistem za pričvršćivanje se UVIJEK mora koristiti u režimu spavanja uz krevet:

- 5.4. Poravnajte krevećić direktno uz roditeljski krevet i provucite sistem za pričvršćivanje ispod duška kreveta i oko okvira kreveta.
  - 5.5. Osigurajte sistem pričvršćivanja tako što ćete spojiti i spojiti kopče kopče. Povucite traku kako biste sigurno pričvrstili sistem za pričvršćivanje za krevet.
  - 5.6. Madrac , Box springs & Frame aligned; Prihvatljivi uslovi kreveta za odrasle za režim zajedničkog spavanja (okvir kreveta u liniji).
  - 5.7. Neprihvatljivi uslovi kreveta za odrasle za režim zajedničkog spavanja (okvir kreveta nije u liniji).
- Nije prikladno za upotrebu pored vodenih kreveta ili dječjih kreveta.

- Ostavite krevećić prema krevetu odrasle osobe.
- Povežite krevećić uz krevet i krevet za odraslu osobu pomoću trake, traka mora biti postavljena između duška i okvira kreveta za odrasle.

**UPOZORENJE!** Kada koristite funkciju noćnog kreveta, bočna ograda koja se mora ukloniti i dobro održavati.

**UPOZORENJE!** Prilikom fiksiranja kreveta uz krevet, kratka ivica zaštitne ograde mora biti usko postavljena na dušek za odrasle kako bi se izbjegao razmak. Noćni krevet se može koristiti samo za poravnati krevet za odrasle. U međuvremenu, rastojanje od najniže donje strane poravnatog kreveta za odrasle (strana za spuštanje) do tla treba biti više od 20 cm.

5.2 Uvjerite se da stopalo dipore do bočne ploče kreveta.

5.3 Nije prikladno za upotrebu pored vodenih kreveta ili dječjih krevećića.

## FUNKCIJA SPAVANJA UZ KREKET

5.1-5.3 Da biste koristili proizvod kao krevet uz krevet, potrebno ga je preurediti. procedura:

1. Otkopčajte patentne zatvarače na oba kraja preklapne strane.
2. Gurnite brave kako biste oslobodili držač ograde.
3. Spustite preklapnu stranu nosiljke.
4. Postavite krevećić na stranu kreveta odrasle osobe i postavite visinu krevećića tako da vrh duška kreveta bude u ravni - ili ne više od 2 cm iznad - gornje ivice strane na preklapanje.
5. Povucite trake za pričvršćivanje krevećića ispod duška kreveta i zakačite krajeve preko okvira kreveta odrasle osobe na suprotnoj strani kreveta. Krajevi moraju biti uspravni između okvira kreveta i duška.
6. Pričvrstite trake za montažu na krevećić pomoću kopči.
7. Zategnite trake za montažu i uvjerite se da to održava krevetac stabilnim i čvrsto pričvršćen za krevet odrasle osobe.

## VI. KAKO KORISTITI KOČNICU

- 6.1. Da biste zaključali točkove krevećića, pritisnite jezičke kočnice na svakom od točkova.
- 6.2. Da biste oslobodili točkove, podignite jezičke kočnice.

## VII. ČIŠĆENJE I ODRŽAVANJE

- Očistite metalne i plastične dijelove vlažnom krpom i blagim deterdžentom.
- Za čišćenje koristite vodu sa sapunom ili meki deterdžent za čišćenje. Operite vrećicu sapunom vodom. Nemojte peglati. Ne izbjeljivati.
- NE postavljajte dječji krevećić u blizinu uređaja za grijanje jer će oštetiti plastiku i tkanine.
- NEMOJTE koristiti krevećić ako neki dijelovi nedostaju, ako su oštećeni ili slomljeni. Molimo kontaktirajte naše distributere. NEMOJTE zamenjivati delove.

Korišteni materijali: plastika, tekstil, metal

**Proizvedeno za Kika Group Ltd., Vasil Levski 121, Plovdiv, Bugarska. Napravljeno u kini. U skladu sa EN 1130:2019+AC:2020; EN 16890:2017+A1:2021.**



# KA მნიშვნელოვანი! შეინახეთ მოგავლისთვის! ყურადღებით წაიკითხე!

# ME VAŽNO! PAZITE ZA PAŠKA! ČITAJTE PAŽLJIVO!

- 5.5. დაიცავით დამაგრების სისტემა შეერთებით და გადასვით სამაგრის ბალები. გაიჭიმეთ თასმა, რომ მიმაგრების სისტემა საწოლზე საიმედოდ მოიმკაგროს.
- 5.6. მატრასი, ყუთის ზამბარები და ჩარჩო გასწორებული; მისაღები მოზრდილთა საწოლის პირობები ერთობლივი ძილის რეჟიმისთვის (საწოლის ჩარჩო ხაზში).
- 5.7. მოზრდილთა საწოლის მიუღებელი პირობები ერთობლივი ძილის რეჟიმისთვის (საწოლის ჩარჩო არ არის ჩართული). არ არის შესაფერისი წყლის ან ბავშვთა საწოლის გვერდით გამოსაყენებლად.

- მიეცით საწოლის გვერდიანი საწოლი მოზრდილის საწოლისკენ.
- შეაერთეთ საწოლის ლოგინი და მოზრდილის საწოლი თასმით, სამაგური უნდა განთავსდეს მატრასსა და მოზრდილის საწოლის ჩარჩოს შორის.

**გაფრთხილება!** საწოლის საწოლის ფუნქციის გამოყენებისას უნდა მოინსნას და კარგად შეინახოს გვერდითი ლერო.

**გაფრთხილება!** საწოლის გვერდით საწოლის დამაგრებისას მოკლე დამცავი კიდე მჭიდროდ უნდა იყოს მორგებული ზრდასრულთა ლეიბთან, რათა თავიდან იქნას აცილებული რაიმე უფსკრული. საწოლის საძილე შეიძლება გამოყენებულ იქნას მხოლოდ გასწორებული ზრდასრული საწოლისთვის. ინავდროულად, მანძილი მოზრდილი საწოლის ქვედა ქვედა მხრიდან (ჩაჯარდნის მხარე) მიწამდე უნდა იყოს 20 სმ-ზე მეტი.

5.2 დარწმუნდით, რომ ფეხი მიაღწევს საწოლის მხარეს.  
5.3 არ არის შესაფერისი წყლის ან ბავშვთა საწოლის გვერდით გამოსაყენებლად.

- საწოლის საძილე ფუნქცია**
- 5.1-5.3 პროლექტის საწოლ საწოლად გამოსაყენებლად საჭიროა მისი გადაკეთება. პროცედურა:
    1. გახსენით ულვა შესაკევი მხარის ორივე ბოლოზე.
    2. გასრიალეთ საკეტები მოაჯირის სამაგრის გასათავისუფლებლად.
    3. ჩამოწიეთ საბარგულის დასაკევი მხარე.
    4. განათავსეთ საწოლი მოზრდილის საწოლის გვერდზე და დააყენეთ საწოლის სიმაღლე ისე, რომ საწოლის მატრასის ზედაპირი თანაბარი იყოს - ან არაუმეტეს 2 სმ ზემოთ - დასაკევი მხარის ზედა კიდეზე.
    5. ჩაატარეთ საწოლის დასამაგრებელი თასმები საწოლის ლეიბის ქვეშ და მიამაგრეთ ბოლოები მოზრდილის საწოლის ჩარჩოზე საწოლის მოპირდაპირე მხარეს. ბოლოები უნდა იყოს თავდაყირა საწოლის ჩარჩოსა და ლეიბს შორის.
    6. დამაგრეთ სამონტაჟო თასმები საწოლზე სამაგრების გამოყენებით..
    7. დამაგრეთ სამონტაჟო თასმები და დარწმუნდით, რომ ეს ინარჩუნებს საწოლის სტაბილურობას და მტკიცედ არის მიმაგრებული ზრდასრულის საწოლზე.

- VI. როგორ გამოიყენოთ სამუხრუჭე**
- 6.1. საწოლის ბორბლების ჩასაკეტად, დააჭირეთ სამუხრუჭე ჩანართებს თითოეულ ბორბალზე.
  - 6.2. ბორბლების გასათავისუფლებლად, ასწიეთ სამუხრუჭე ჩანართები.

- VII. დასუფთავება და მოვლა**
- გაწმინდეთ ლითონის და პლასტმასის ნაწილები ნესტიანი ქსოვილით და რბილი სარეცხი საშუალებით.
  - გასაწმენდად გამოიყენეთ საპნინი წყალი ან რბილი სარეცხი საშუალება. დაიბანეთ ჩანთა ხელთი საპნინი წყლით. არ დაუთოოთ. არ გაათეთროთ.
  - არ მოათავსოთ საწოლი გათბობის მოწყობილობებთან ახლოს, რადგან ის დაზიანებს პლასტმასს და ქსოვილებს.
  - არ გამოიყენოთ საწოლი, თუ რომელიმე ნაწილი აკლია, დაზიანებულია ან გატეხილია. გთხოვთ, დაუკავშირდეთ ჩვენს დისტრიბუტორებს. არ შევალთ ნაწილები.

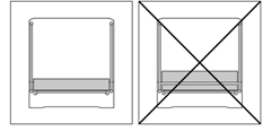
გამოყენებული მასალები: პლასტმასი, ტექსტილი, ლითონი

**დამზადებულია შპს კიკა ჯგუფისთვის, ვასილ ლევსკი 121, პლოვდივი, ბულგარეთი. დამზადებულია ჩინეთში. შესაბამება EN 1130:2019+AC:2020; EN 16890:2017+A1:2021.**

- UPOZORENJE!**
1. Nemojte da koristite ovaj proizvod bez da prvo pročitate uputstva.
  2. Prestanite da koristite proizvod čim dijete može da sjedne ili klekne ili da se povuče.
  3. Prored dodatnih predmeta u proizvodiu može da prouzrokuje gušenje.
  4. Ne smještajte proizvod blizu drugog proizvoda, koji bi mogao predstavljati opasnost od gušenja ili davljenja, npr. nizovi, slijepe/vjesa, itd.



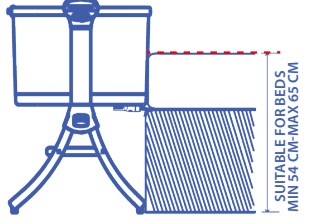
- UPOZORENJE!**
1. Ne koristite više od jednog duška u proizvodu.
  2. Rail ne smije biti viši od madraca za odrasle.
  3. Da bi se izbjegao rizik da vaše dijete bude zadavljeno u krevetu za odrasle uvijek će biti držano podalje od i z kolijevke.
  4. Koristite samo madrac koji se prodaje u ovom krevetu, ne dodajte drugi dušek na ovaj, gušenje opasnosti. 5. Budite svjesni rizika od otvorene vatre i drugih izvora jake topline, kao što su električni bar požari, itd. u blizini kreveta (krevetac i suspendiran krevet).



- Proizvod bi trebalo da bude na horizontalnom spratu.
- Mladoj djeci ne bi trebalo biti dozvoljeno da se igraju bez nadzora u blizini kolijevke.
- Kolijevka treba da bude zaključana u fiksnom položaju kada se dijete ostavi bez nadzora.
- Sva oprema treba da se stegne kako treba i da treba da se brine da nema vijaka, jer bi dijete moglo zarobiti dijelove tijela ili odjeće (npr. žice, ogrlice, vrpce za bebe lutke, itd.) koje bi predstavljale rizik od davljenja. Izvršite rutinske provjere da biste bili sigurni da nema labave, oštećenjima ili nestalih dijelova.
- Ne koristite madrac za krevetac drugačiji od ovog, pod uvjetom da proizvod i odobren od strane proizvođača.
- Ako koristite drugi madrac od prodaje s krevetićem, molimo osigurajte da je sa odgovarajućom debljinom i da je pogodan za krevetac. Debljina madraca će biti takva da unutrašnja vertikalna visina (površina vrha madraca do gornjeg ruba kreveta) je najmanje 200 mm u najšikćem položaju u krevetu.
- Ako koristite drugi madrac od prodaje sa krevetićem, dužina i širina će biti takva da je maksimalna razlika između madraca i strana i krajeva i završava ne prelazi 30 mm.
- Nagib kolijevke je dozvoljen s maksimalnim razmakom od 2 pozicije između jednog i drugog.
- Djetetova glava bi uvijek trebala biti na najvišoj strani.
- Ne koristite krevete ako neki dijelovi nedostaju, oštećeni ili slomljeni. Molim vas, kontaktirajte naše distributere. DTO NE ZAMJENJUJE DIJELOVE.
- Madrac na roditeljskom krevetu bi uvijek trebao biti veći od strane kolijevke. Ako ne, upotrebite sistem za podešavanje kako bi bili sigurni da je visina ispravna na obje strane.
- Sistem za vezanje je osiguran sa krevetićem. Nemoj da koristiš drugi sistem za vezanje.
- Noćni spavači neće nikada biti korišteni u sklonoj poziciji.
- Da bi se spriječilo gušenje opasnosti od zarobljavanja, spavači krevet će biti propisno osiguran za odrasle osobe koje koriste sistem za pričvršćivanje. Provjeri stezanje vezanog sistema prije svake upotrebe povlačenjem kreveta u pravcu od kreveta za odrasle.
- Ako postoji jaz između spavača i kreveta za odrasle, ne koristi proizvod.
- Praznine ne bi trebale biti ispunjene jastucima, čebadima ili drugim stvarima.

**OPASNOST! Uvijek podignite stranu kad se ne veže za krevet za odrasle.**

- Starost od 0–6 mjeseci, Maks. Težina 9 kg.
- Proizvod je spreman za upotrebu samo kada su mehanizmi zaključavanja uključeni.
- Provjerite da li su sigurno popravljani prije upotrebe.
- Kada vaše dijete bude bez nadzora u proizvodu u “Crib konfiguraciji”, uvijek budite sigurni da je strana podignuta i da su zatvarači potpuno zatvoreni.
- Nemojte da koristite tijelo bez okvira.
- Sklopite, razvijte i preklopite proizvod samo za odrasle!
- NE DOZVOLITE DJECI DA BUDU MLAĐI OD 3 GODINE DOK POTPUNO NE SAKUPE PROIZVOD DA BI IZBEGLI PRISTUP MALIM I RASTAVNIM DIJELOVIMA!
- Svaki plastični poklopac treba ukloniti, uništiti ili držati podalje od djece kako bi se izbjeglo gušenje.
- Osigurajte da su stopala u kolijevci potpuno produžena kada se koristi kao samostalna kolijevka.
- Ne koristite krevetac ako je visina vašeg kreveta manja od 54 cm ili više od 65 cm iznad poda.
- Upotreba proizvoda je dozvoljena samo sa krevetima i/ili dušekom sa ravnim stranama! Korištenje proizvoda sa okruglim krevetima i/ili madracem ili vodenim krevetima ili madracima na napuhavanje, itd. NIJE DOZVOLJENO!
- Kada se proizvod koristi u “Ko-uspavanom modu” (za fiksiranje na krevet), uvijek treba da se montira na dugu stranu pristupa krevetu. Ne popravljaj proizvod u glavu ili na dnu kreveta!



- VAŽNO JE ZA SIGURNOST VAŠEG!**
- “Koo-spava” je primaljivja sammo na na vrh kreveta koji isprejavaju sve gorue opzane uvjete i u jajor! Posebno je stranka trba krevetića uvijek treba Staviti u neposrednoj blizini roditelznoj madraci i madrac treba bii usklađanske visine podraške za Kolijevke.
  - Osim toga, Kolijevka mora Biti će vrsto tvrdirana na strukturu roditskog kneželjka ili na podraškom dušekiu (neto ili slamalje).
  - Kada Koristite proizvod u “Co-span Funkciji”, kako bi prozodušlo opsnovisti od zarobaljanja, noćni spavač biti biti proizin za odrale oosobe Koristeći za vezanje.
  - Nikada neće biti žilet izlika iz koje mi je dao Dušeka, dušeka i draslih kreva.
  - Provjerja stezanja vezanje je sistema prija potrebe potrebe kreleta u pravcu od kreveta za odrasle.
  - Ako postoji jaz između spavačka i kreveta za odrale, ne koristi proizvod.



- Provjerit da li je koljevka u načinju, neoometanu u krevetu roditlja.
- Madrac na roditeljskom krevetu, bi i bi trebao biti veći od strane Kolijevke. Ako ne, upotrebu Sisiem za podešavanje kako bi bili sigurni da je visina ispravna na obje strane.
- Kad bog je zid sa strane pušten, provjerit da li se polom, duška ne miljenja!
- Kada je zid sa strane pušten, trebalo bi da se se kori sama kada je pričvršn za krevet rjadilja.
- Korištate Krevetac sa zidom Spatanim Semo u načinuu zajedničkog spanja.
- Dijete Može biti po ako je amplituda zama perejarana.
- Suspenduvani kreveti mogu da predstavljajuju rizik za narkomana.
- Druga deya mogu predstavljati dodatne rizzike (npr. Lejljanja Krevetiča peretano.
- Kastrina postanka Može da izazov nestabilnost proizvoda.
- Lociranja obiustavlja koljevke na takav način da ne postova rizik od Utakaje na Udarac (nr, nema rizika da će dijete pohiti jaslice, ili kolijevku koja je udarila Drugi namještaj).

## I. SAM.

1. Matrenica; 2. Montaža; 3. 4. Karrilica; 5. Poluga za podešavanje visine. 6. Frame Nog; 7. Univerzalni točak; 8. Spajanja elementa; 9. Plastična spajalica; 10. -Bazna ploča.

## II. SKALAJE SPAJČACA

1. UBacit transverzalu cijev u plastični zglob dok ne čujete Zvuk.
2. Ubacate cijev za zgradu u plastični zglob dok ne čujete Zvuk.
- 2.3. "Ubalite Cijev cijev u kompletu", jedan od njih je jedan od njih željnog grada.
- 2.4. Ubacate željnu šipku u poklopac za Tkanunu.
- 2.5. Željezni šp koji je označen u točkastom redateljskom trebe de bude skuven u koricama. 2. 6-2.10 Stavi traku kroz kvratannu rupuu i tvrdo se fiksira u D-prstenu.
- 2.11. Stavnite Madrac i držita ga ravnim, spavače je potpuno instarana.

**NAPMENA! Điči Krevetić je potok za krevete s minimaalnom visinom od 54 cm i maksimalnoma visinom od 65 cm.**

## III. KAKO RASTAVLJATI PAD SA STRANE

- 3.1. Otkopčaj zanatvar sa je stran oogrde. 3.2. Pritisni dum kako je označeno sa strelom na dugmetu, a zatim na goru na vlas.
- 3.3. Skinite Krajeve Zaštitnog čuvaru.
- 3.4. Sostite Cijev i Položita ga. "Uvijek potpuno pogdinite Stranu Kada se ne veže za krevet za odrale!"

IV. Kako da podesite visinsku VISINU ZA PROMJENU

Visine jasle, pritisnite visinske poluge na oba kraja krevetiča i postavite carrikot na željenu visinu. Postoji sedam postavki visine krevetiča. Kolijevka dozvoljava da se postavi drugačija visina svakog od njegovih kraha.

**UPOZORENJE!** Maksimalna dozvoljena nagiba tepiha u kolijevci je razlika između dvije razine. Uvijek drži djetetovu glavu u kolijevci na višem kraju carrycota.

**UPOZORENJE!** Kada podešavate položaj visine, provjerite da li ugao nagiba basinetne baze do kraja (glava do stopala) neće biti veći od 10 ° .0r razlika između lijeve i desne zupčanike visine će biti manja od 2 ° .

4.1. Podignite plastičnu visinsku podešavinu s obje strane, onda je viša. 4.2. Podignite plastičnu visinu podesite sa obje strane, a onda spustite gnijezdo, dolazi niže, kao što vam je potrebno.

## V. DA SE POVEŽEM SA ODRASLIM KREVETOM.

**UPOZORENJE!** Kada se koristi funkcija kreveta, tračnica koja mora biti uklonjena i dobro sačuvana.

**UPOZORENJE!** Kada popravljaju krevet, kratka ograda mora biti usko povezana sa odraslim dušekom kako bi se izbjeglo bilo kakav jaz.

**NAPOMENA!** Kada se koristi kao noćni spavač, donji dio tepiha mora da bude paralelan sa zemljom. Neće biti razlike u visini između krajeva.

**NAPOMENA!** Prije svake upotrebe, pobrinite se da nema jaza između kreveta za odrasle osobe i kolijevke.

**UPOZORENJE!** Ovaj proizvod se može koristiti samo s krevetima i/ili madracima koji imaju ravne rubove. Nemojte da koristite ovaj proizvod sa krevetima i/ili madracima koji su zaobljeni ili sa vodenim krevetima.

## KREKETI ZA ODRASLE SA KOJIMA NOĆNI SPAVAČ MOŽE ILI NE MOŽE DA SE KORISTI.

**UPOZORENJE!** Privitak se uvijek mora koristiti u noćnom spavaču.

5.4. Poravnajte krevetac direktno pored roditeljskog kreveta i položi sistem ispod duška kreveta i oko okvira kreveta. 5.5. Učvrstite sistem priključivanja i spojite kopče zajedno. Povucite remen da učvrsti sistem prilogu na sigurno u krevet. 5.6. Madrac, Box opruge i okvir poravnati; Prihvatljive odrasle krevete uvijek za način spavanja (krevet okvir in-line). 5.7. Neprihvatljivi uvjeti za odrasle osobe za spavanje (okvir za spavanje nisu u redu). Nije pogodan za korištenje pored kreveta za vodu ili dječjih kreveta.

- Neka krevet bude u krevetu za odrasle.
- Poveži krevet i krevet za odrasle, traka mora da se stavi između madraca i kadra kreveta za odrasle.

**UPOZORENJE!** Kada se koristi funkcija kreveta, tračnica koja mora biti uklonjena i dobro sačuvana. **UPOZORENJE!** Kada popravljaju krevet, kratka ograda mora biti usko povezana sa odraslim dušekom kako bi se izbjeglo bilo kakav jaz. Noćni spavač može da se koristi samo za odrasle osobe. U međuvremenu, udaljenost od najniže donje strane kreveta za odrasle (drop strana) do tla trebala bi biti veća od 20cm.

5.5.3 Nije prikladno za korištenje pored kreveta na vodi ili dječjih kreveta.

## NOĆNI POSAO.

5.1-5.3 Da biste koristili proizvod kao spavaču postelju, mora da se konvertira. Procedura:

1. Poništite zatvarače na oba kraja slaganja.
  2. Gurnite brave da se oslobodi ograda.
  3. Donja sklopivi dio carrycota.
  4. Stavite krevetac na stranu kreveta za odrasle i postavite visinu krevetiča tako da je vrh kreveta na krevetu nivo sa-ili ne više od 2 cm iznad-gornji rub sklopive strane.
  5. Prosljedi jaslice pod madracem i zakači krajeve preko kreveta za odrasle na suprotnoj strani kreveta. Kraj mora da je uspravan između okvira kreveta i duška.
  6. Osigurajte remenje za montiranje u kolijevku koristeći kopče ..
- Stegnite trake za montiranje i postarajte se da ovo bude stabilan i čvrsto vezan za krevet za odrasle.

## VI. KAKO KORISTITI KOČNICU

- 6.1. Da zaključam kolica, pritisnem kočnicu na svakom od točkova.
- 6.2. Da otpustite kotače, podignite kočnicu.

## VII. ČIŠĆENJE I ODRŽAVANJE

- Očisti metalne i plastične dijelove sa vlažnom krpom i blagim deterdžentom.
- Za čišćenje vode ili deterdženta za čišćenje. Ručno pereš torbu sa sapunicom. Nemoj da peglaš. Nemoj da izblebeš.
- Ne smještajte krevete u blizini uređaja za grijanje jer će oštetiti plastiku i tkanine.
- Ne koristite krevete ako neki dijelovi nedostaju, oštećeni ili slomljeni. Molim vas, kontaktirajte naše distributere. DTO NE ZAMJENJUJE DIJELOVE.

Materijali koji se koriste: Plastični, tekstilni, metalni

**Produkcija za Kika Group Ltd., Vasil Levski 121, Plovdiv, Bugarska. Napomena: U 1910. i 2019. u Kini se nalaze: EN 1130 :2019 + AC: EN 16890:2017 + 1.**

## УВАГА!

- Не використовуйте цей продукт, не прочитавши попередню інструкцію із застосування.
- Припиніть використання виробу, як тільки дитина зможе сісти, стати на коліна чи підтягнутися.
- Розміщення додаткових предметів у виробі може призвести до задухи.
- Не розміщуйте виріб поруч з іншим виробом, оскільки це може становити небезпеку задушення або удушення, напр. шнури, шнури для жалюзі/штор тощо.

## УВАГА!

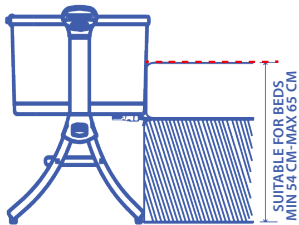
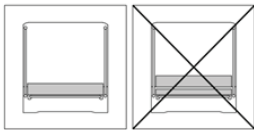
- Не використовуйте у виробі більше одного матраца.
- Поручні не повинні бути вищими за матрац ліжка для дорослих.
- Щоб уникнути ризику задушення дитини, систему кріплення до ліжка дорослого завжди слід тримати подалі від ліжечка.
- Використовуйте лише матрац, який продається разом із цим ліжечком, не додавайте до нього другий матрац, існує небезпека задухи.
- Майте на увазі ризик відкритого вогню та інших джерел сильного тепла, таких як електричні плити тощо поблизу ліжечка (ліжечка та підвісного ліжка).

- Виріб слід поставити на горизонтальну підлогу.
- Не можна дозволяти маленьким дітям грати без нагляду поблизу ліжечка.
- Коли дитина залишається без нагляду, ліжечко має бути зафіксовано у фіксованому положенні.
- Усі з'єднувальні пристосування слід завжди затягувати належним чином і стежити за тим, щоб гвинти не були ослаблені, тому що дитина може зачепити частини тіла або одяг (наприклад, шнури, намиста, стрічки для манекенів тощо), що може становити небезпеку удушення. Виконуйте регулярні перевірки, щоб переконатися у відсутності ослаблених, пошкоджених або відсутніх частин.
- Не використовуйте матрац для ліжечка, відмінний від того, який надається разом із виробом і схвалений виробником.
- Якщо ви використовуєте матрац, відмінний від того, що продається разом із ліжечком, переконайтеся, що він має відповідну товщину та підходить до ліжечка. Товщина вибраного матраца повинна бути такою, щоб внутрішня вертикальна висота (поверхня верхньої частини матраца до верхнього краю боків ліжка) становила принаймні 200 мм у найвищому положенні основи ліжка.
- Якщо ви використовуєте інший матрац, відмінний від того, що продається разом із ліжечком, довжина та ширина мають бути такими, щоб максимальний проміжок між матрацом, боками й кінцями не перевищував 30 мм.
- Нахил ліжечка допускається з максимальним розривом між однією ногою в 2 положення.
- Голова дитини завжди повинна бути розташована на верхньому боці.
- НЕ використовуйте ліжечко, якщо якісь частини відсутні, пошкоджені або зламані. Будь ласка, зв'яжіться з нашими дистриб'юторами. НЕ замінюйте частини.
- Матрац на батьківському ліжку завжди повинен бути вище бортика ліжечка. Якщо ні, використовуйте систему регулювання, щоб переконатися, що висота правильна з обох сторін.
- У комплекті з ліжечком є система кріплення. Не використовуйте іншу систему кріплення.
- Ніколи не можна використовувати приліжкові шпали в похилому положенні.
- Щоб запобігти небезпеці задухи внаслідок захоплення, ліжко біля ліжка має бути належним чином закріплено на ліжку для дорослих за допомогою системи кріплення. Між нижньою стороною ліжка та матрацом ліжка для дорослих ніколи не повинно бути зазору. Перед кожним використанням перевіряйте щільність кріплення, потягнувши приліжкове ліжко в напрямку від ліжка дорослого.
- Якщо між ліжком біля ліжка та ліжком для дорослих є щілина, НЕ використовуйте виріб.
- Проміжки не можна заповнювати подушками, ковдрами та іншими предметами.

## НЕБЕЗПЕКА! Завжди повністю піднімайте опускальну сторону, якщо вона не прикріплена до ліжка дорослого.

- Вік використання: 0-6 місяців, макс. вага 9 кг.
- Виріб готовий до використання лише тоді, коли замкові механізми задіяні.
- Перед використанням переконайтеся, що вони надійно закріплені.
- Коли ваша дитина перебуває без нагляду в виробі в «Конфігурації ліжечка», завжди переконайтеся, що бортики підняті, а блискавки повністю закриті.
- Не використовуйте корпус ліжечка без його каркаса.
- Збирати, розкладати і складати виріб може ЛИШЕ дорослий!
- НЕ дозволяйте дітям до 3 років до повного складання виробу, щоб уникнути доступу до дрібних і розібраних частин!
- Будь-яке пластикове покриття слід зняти, знищити або тримати подалі від дітей, щоб уникнути задухи.
- Переконайтеся, що ніжки ліжечка повністю подовжені, якщо ліжечко використовується як окрема.
- Не використовуйте ліжечко, якщо висота вашого ліжка менше 54 см або більше 65 см від підлоги.
- Використання виробу дозволено лише з ліжками та/або матрацами з прямими боками! Використання виробу з круглими ліжками та/або матрацами, водяними ліжками чи надувними матрацами тощо НЕ ДОЗВОЛЕНО!
- Коли виріб використовується в режимі «Спільний сон» (кріплення до ліжка), він завжди повинен бути встановлений на довгій стороні доступу до ліжка. НЕ фіксуйте виріб до узгор'я або низу ліжка!

## ВАЖЛИВО ДЛЯ БЕЗПЕКИ ВАШОЇ ДИТИНИ!



- Функція «Спільний сон» застосовна ТІЛЬКИ для тих типів ліжок, які відповідають всім умовам, описаним вище та в цьому параграфі! Зокрема, бічну опору ліжечка завжди слід розміщувати ближче до матраца батьків, а висота матраца завжди повинна бути врівняна з висотою бічної опори для утримання ліжечка.
- Крім того, ліжечко має бути міцно закріплено на конструкції батьківського ліжка або на опорі матраца (стіці або ламелі).
- Під час використання виробу з «функцією спільного сну», щоб запобігти ризику задухи через затискання, приліжкове ліжко має бути належним чином закріплено на ліжку для дорослих за допомогою системи кріплення.
- Ніколи не повинно бути зазору між нижньою стороною приліжкового спального місця та матрацом дорослого ліжка.
- Перед кожним використанням перевіряйте щільність кріплення, потягнувши приліжкове ліжко в напрямку від ліжка дорослого.
- Якщо між ліжком біля ліжка та ліжком для дорослих є щілина, НЕ використовуйте виріб.
- Переконайтеся, що ліжечко в режимі спільного сну не заважає ліжку батьків.
- Матрац на батьківському ліжку завжди повинен бути вище бортика ліжечка. Якщо ні, використовуйте систему регулювання, щоб переконатися, що висота правильна з обох сторін.
- Перед кожним використанням завжди перевіряйте, чи немає місця між матрацом на батьківському ліжку та стінкою ліжечка. Потягніть і затягніть систему кріплення до відновлення дозволеного стану.
- Щоразу, коли бокова стінка опускається, перевірте, чи не змінилося положення батьківського матраца!
- Коли бічна стінка ліжечка опущена, її можна використовувати лише тоді, коли вона прикріплена до ліжка батьків.
- Використовуйте ліжечко з опущеною стінкою тільки в режимі спільного сну.
- Дитина може отримати травму, якщо амплітуда гойдання буде надмірною.
- Підвісні ліжечка можуть становити небезпеку для інших дітей.
- Інші діти можуть становити додатковий ризик (наприклад, надмірно розгойдуючи ліжечко).
- Нерівні поверхні можуть спричинити нестійкість виробу.
- Розташуйте підвісні ліжечка таким чином, щоб не було ризику удару гойдалки (наприклад, немає ризику, що дитина вдариться об раму ліжечка або ліжечко вдариться об інші меблі).

## I. ЧАСТИНИ

- Матрац; 2. Монтажний ремінь; 3. Верхній поручень; 4. Люлька; 5. Важіль регулювання висоти; 6. Ніжка рами; 7. Універсальне колесо; 8. Сполучний елемент;
- Опорна пластикова кліпса; 10. Опорна плита;

## II. МОНТАЖ ПРИЛІЖНИКА

- Вставте поперечну опорну трубку в пластикове з'єднання, доки не почуєте клацання.
- Вставте трубку кронштейна в пластикове з'єднання, доки не почуєте клацання.
- Вставте опорну трубку в з'єднання, доки не почуєте клацання, потім вставте залізний стрижень у комплект люльки.
- Вставте залізний стрижень у тканинну кришку.
- Залізний стрижень, позначений пунктиром, повинен бути захищений у кришку.
- 2.6-2.10 Пропустіть стрічку через квадратний отвір і щільно зафіксуйте її в кільці D.
- 2.11. Помістіть матрац, а потім тримайте його рівно, приліжкове ліжко повністю встановлено.

**ПРИМІТКА!** Дитяче ліжечко підходить для ліжок мінімальної висоти 54 см і максимальної висоти 65 см.

## III. ЯК РОЗІБРАТИ БОРТ ПАДІННЯ

- Розстебніть блискавку з обох боків огорожі.
- Натисніть кнопку, як вказано стрілкою на кнопці, а потім вгору за верхню планку.
- Зніміть кінці огорожі.
- Зніміть трубу огорожі та покладіть її рівно.

**ПРИМІТКА!** Завжди повністю піднімайте бортик, коли він не прикріплений до ліжка дорослого!

## IV. ЯК ВІДРЕГУЛЮВАТИ ВИСОТУ

### НАЛАШТУВАННЯ ВИСОТИ

Щоб змінити висоту ліжечка, натисніть важел регулювання висоти на обох кінцях ліжечка та встановіть люльку на потрібну висоту. Існує сім варіантів висоти ліжечка. Ліжечко дозволяє встановити різну висоту кожного її кінця.

**УВАГА!** Максимально допустимий нахил люльки – це різниця двох рівнів налаштування. Завжди тримайте голову дитини в ліжечку на верхньому кінці люльки.

**УВАГА!** Регулюючи положення висоти, переконайтеся, що кут нахилу основи люльки від кінця до кінця (голова до ніг) не повинен перевищувати 10°. Ор різниця висоти між лівою та правою передачами має бути менше 2°.

- Підніміть пластикovu ручку регулювання висоти з обох боків, тоді вона підніметься вище.
- Підніміть пластикovu ручку регулювання висоти з обох сторін, потім потягніть гніздо вниз, воно опуститься нижче, як вам потрібно.

## V. З'ЄДНАННЯ З ЛІЖКОМ ДОРΟΣЛОГО

**УВАГА!** Під час використання функції приліжкового ліжка необхідно зняти і зберігати в належному стані поруччя.

**УВАГА!** Під час кріплення приліжкового ліжка край короткої огорожі повинен бути щільно прилягає до дорослого матраца, щоб уникнути зазорів.

**ПРИМІТКА!** Коли люлька використовується як ліжко біля ліжка, дно люльки має бути паралельним землі. Між краями ліжечка не повинно бути різниці у висоті.

**ПРИМІТКА!** Перед кожним використанням переконайтеся, що між матрацом ліжка дорослого та бортиком ліжечка немає зазору.

**УВАГА!** Цей продукт можна використовувати лише з ліжками та/або матрацами з прямими краями. Не використовуйте цей продукт із будь-якими ліжками та/або матрацами, які мають округлу форму, або з водяними ліжками.

**ТИП ДОРΟΣЛИХ ЛІЖОК, З ЯКИМИ МОЖНА АБО НЕ МОЖНА ВИКОРИСТОВУВАТИСЬ ПРИЛІЖКОВЕ ЛІЖКО**

**УВАГА!** Систему кріплення слід ЗАВЖДИ використовувати в режимі спального місця біля ліжка:

- 5.4. Вирівняйте дитяче ліжечко безпосередньо біля батьківського ліжка та проведіть систему кріплення під матрацом ліжка та навколо рами ліжка.
  - 5.5. Закріпіть систему кріплення, з'єднавши та з'єднавши застібки разом. Потягніть ремінь, щоб надійно закріпити систему кріплення на ліжку.
  - 5.6. Матрац, пружини та вирівняний каркас; Прийнятні умови ліжка дорослого для режиму спільного сну (каркас ліжка in-line).
  - 5.7. Неприйнятні умови ліжка для дорослих для режиму спільного сну (каркас ліжка не всередині).
- Не підходить для використання поруч із водяними ліжками чи дитячими ліжками.

- Допустіть ліжечко до ліжка дорослого.
- З'єднайте приліжкову ліжечко та ліжко дорослого ремнем, ремінь повинен розміщуватися між матрацом і каркасом ліжка дорослого.

**УВАГА!** Під час використання функції приліжкового ліжка необхідно зняти і зберігати в належному стані поруччя.

**УВАГА!** Під час кріплення приліжкового ліжка край короткої огорожі повинен бути щільно прилягає до дорослого матраца, щоб уникнути зазорів. Приліжкове ліжко можна використовувати лише для вирівняного ліжка для дорослих. Водночас відстань від найнижчої нижньої сторони вирівняного дорослого ліжка (відкидна сторона) до землі має бути більше 20 см.

- 5.2 Переконайтеся, що нога досягає бічної дошки ліжка.
- 5.3 Не підходить для використання біля водяних ліжок або дитячих ліжок.

## ФУНКЦІЯ ПРИЛІЖКОВОГО СПАЛЬНОГО МІСЦЯ

5.1-5.3 Щоб використовувати виріб як ліжко біля ліжка, його потрібно переобладнати. Процедура:

1. Розстебніть блискавки на обох кінцях відкидної сторони.
2. Посуньте замки, щоб звільнити фіксатор поруччів.
3. Опустіть відкидну сторону люльки.
4. Поставте ліжечко збоку від ліжка дорослого та встановіть висоту ліжечка так, щоб верхня частина матраца ліжка була на одному рівні з верхнім краєм відкидної сторони або не більше ніж на 2 см вище.
5. Протягніть ремінь кріплення ліжечка під матрац ліжка та зачепіть кінці за раму ліжка дорослого на протилежному боці ліжка. Кінці повинні бути вертикально між каркасом ліжка і матрацом.
6. Закріпіть монтажні реміні на ліжечку за допомогою застібок.
7. Затягніть кріпильні реміні та переконайтеся, що це утримує ліжечко стабільно міцно прикріплений до ліжка дорослого.

## VI. ЯК КОРИСТУВАТИСЯ ГАЛЬМОМ

- 6.1. Щоб зафіксувати колеса ліжечка, натисніть на гальмівні виступи на кожному з колес.
- 6.2. Щоб відпустити колеса, підніміть гальмівні лапки.

## VII. ЧИЩЕННЯ ТА ОБСЛУГОВУВАННЯ

- Очистіть металеві та пластикові деталі вологою ганчіркою з м'яким миючим засобом.
- Для чищення використовуйте мильну воду або м'який миючий засіб. Вимийте сумку вручну з мильною водою. Не прасувати. Не відбілювати.
- НЕ ставте дитяче ліжечко біля нагрівальних приладів, оскільки це може пошкодити пластик і тканини.
- НЕ використовуйте ліжечко, якщо якісь частини відсутні, пошкоджені або зламані. Будь ласка, зв'яжіться з нашими дистриб'юторами. НЕ замінюйте частини.

Використані матеріали: пластик, текстиль, метал

Вироблено для Kika Group Ltd., Vasil Levski 121, Пловдив, Болгарія. Виготовлено в Китаї.  
Відповідає EN 1130:2019+AC:2020; EN 16890:2017+A1:2021.

## UPOZORENJE!

1. Nemojte koristiti ovaj proizvod bez prethodnog čitanja uputa za uporabu.
2. Prestanite koristiti proizvod čim dijete može sjediti, kleknuti ili se pridržati.
3. Stavljanje dodatnih predmeta u proizvod može uzrokovati gušenje.
4. Nemojte stavljati proizvod blizu drugog proizvoda, jer to može predstavljati opasnost od gušenja ili davljenja, npr. uzice, užad za sjenila/zavjese itd.

## UPOZORENJE!

1. Nemojte koristiti više od jednog madraca u proizvodu.
2. Ograda ne smije biti viša od madraca kreveta za odrasle.
3. Kako biste izbjegli rizik od davljenja vašeg djeteta, sustav za pričvršćivanje na krevet odrasle osobe uvijek se mora držati podalje od krevetića i izvan njega.
4. Koristite samo madrac koji se prodaje uz ovaj krevetić, nemojte dodavati drugi madrac na ovaj, opasnost od gušenja.
5. Budite svjesni opasnosti od otvorene vatre i drugih izvora jake topline, poput električnih šankova, itd. u neposrednoj blizini krevetića (kolevčica i visećeg kreveta).

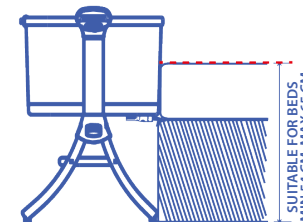
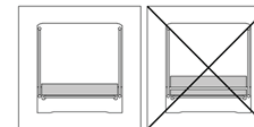
- Proizvod treba postaviti na vodoravni pod.
- Maloj djeci ne bi trebalo dopustiti da se bez nadzora igraju u blizini krevetića.
- Krevetac bi trebao biti zaključan u fiksnom položaju kada je dijete ostavljeno bez nadzora.
- Sve spojeve za montažu treba uvijek pravilno zategnuti i treba paziti da vijci nisu labavi, jer bi dijete moglo zaglaviti dijelove tijela ili odjeću (npr. uzice, ogrlice, vrpce za lutke bebe, itd.) što bi predstavljalo rizik od davljenja. Obavite rutinske provjere kako biste bili sigurni da nema labavih dijelova, oštećenja ili dijelova koji nedostaju.
- Ne koristite madrac za krevetić drugačiji od ovog koji je isporučen uz proizvod i odobren od strane proizvođača.
- Ako koristite drugačiji madrac od onih koji se prodaju uz krevetić, provjerite je li odgovarajuće debljine i odgovara li krevetiću. Odabrana debljina madraca mora biti takva da unutarnja vertikalna visina (površina vrha madraca do gornjeg ruba stranica kreveta) bude najmanje 200 mm u najvišem položaju dna kreveta.
- Ako koristite drugačiji madrac od onoga koji se prodaje uz krevetić, duljina i širina moraju biti takve da maksimalni razmak između madraca i stranica i krajeva ne prelazi 30 mm.
- Nagib krevetića dopušten je s maksimalnim razmakom od 2 položaja između jedne noge i druge.
- Djetetova glava uvijek treba biti postavljena na najvišoj strani.
- **NEMOJTE** koristiti krevetić ako bilo koji dio nedostaje, ako je oštećen ili slomljen. Molimo kontaktirajte naše distributere. **NEMOJTE** mijenjati dijelove.
- Madrac na roditeljskom krevetu uvijek treba biti viši od stranice krevetića. Ako nije, upotrijebite sustav za podešavanje kako biste bili sigurni da je visina ispravna s obje strane.
- Sustav za pričvršćivanje dolazi s krevetićem. Nemojte koristiti druge sustave pričvršćivanja.
- Noćne pragove nikada se ne smiju koristiti u nagnutom položaju.
- Kako bi se spriječila opasnost od gušenja zbog uklještenja, noćni krevet za spavanje mora biti ispravno pričvršćen za krevet za odrasle pomoću sustava za pričvršćivanje. Nikada ne smije biti razmaka između donje strane noćnog kreveta za spavanje i madraca kreveta za odrasle. Provjerite čvrstoću sustava za pričvršćivanje prije svake uporabe povlačenjem kreveta za spavanje u smjeru od kreveta za odrasle.
- Ako između kreveta za spavanje i kreveta za odrasle postoji bilo kakav razmak, **NEMOJTE** koristiti proizvod.
- Praznine se ne smiju popunjavati jastucima, dekama ili drugim predmetima.

**OPASNOST! Uvijek potpuno podignite preklopnu stranu kada nije pričvršćena za krevet odrasle osobe.**

- Dob korištenja: 0-6 mjeseci, Max. težina 9 kg.
- Proizvod je spreman za uporabu tek kada su aktivirani mehanizmi za zaključavanje.
- Provjerite jesu li dobro pričvršćeni prije upotrebe.
- Kada je vaše dijete bez nadzora u proizvodu u "Konfiguraciji krevetića", uvijek provjerite je li stranica podignuta i patentni zatvarači potpuno zatvoreni.
- Nemojte koristiti tijelo krevetića bez okvira.
- Sastavljanje, rasklapanje i sklapanje proizvoda vrši SAMO odrasla osoba!
- **NEMOJTE** dopustiti djeci mlađoj od 3 godine dok potpuno ne sastave proizvod kako biste izbjegli pristup malim i rastavljenim dijelovima!
- Svaki plastični poklopac treba ukloniti, uništiti ili držati podalje od djece kako bi se izbjeglo gušenje.
- Osigurajte da su noge krevetića potpuno produljene kada se koristi kao samostalni krevetić.
- Nemojte koristiti krevetić ako je visina vašeg kreveta manja od 54 cm ili više od 65 cm iznad poda.
- Korištenje proizvoda dopušteno je samo s krevetima i/ili madracima s ravnim stranicama! Upotreba proizvoda s okruglim krevetima i/ili madracima ili vodenim krevetima ili madracima na naruhanje itd. NIJE DOZVOLJENA!
- Kada se proizvod koristi u "zajedničkom spavanju" (fiksiranje na krevet), uvijek ga treba postaviti na dužu stranu pristupa krevetu. **NEMOJTE** fiksirati proizvod za glavu ili dno kreveta!

## VAŽNO ZA SIGURNOST VAŠEG DJETETA!

- Funkcija "Zajedničko spavanje" primjenjiva je SAMO s tipom kreveta koji ispunjava sve uvjete opisane gore u ovom paragrafu! Konkretno, bočna potpora



- krevetića treba uvijek biti postavljena blizu madraca roditelja, a madrac uvijek treba biti usklađen s visinom bočne potpore za držanje krevetića.
- Nadalje, krevetić mora biti čvrsto fiksiran na konstrukciju roditeljskog kreveta ili na nosač madraca (mreža ili letvice).
- Kada koristite proizvod na „funkciji zajedničkog spavanja“, kako biste spriječili opasnost od gušenja zbog uklještenja, noćni krevet mora biti ispravno pričvršćen za krevet za odrasle pomoću sustava za pričvršćivanje.
- Nikada ne smije biti razmaka između donje strane noćnog kreveta i madraca kreveta za odrasle.
- Provjerite čvrstoću sustava za pričvršćivanje prije svake uporabe povlačenjem kreveta za spavanje u smjeru od kreveta za odrasle.
- Ako između kreveta za spavanje i kreveta za odrasle postoji bilo kakav razmak, NEMOJTE koristiti proizvod.
- Provjerite je li krevetić u načinu zajedničkog spavanja ne smeta krevetu roditelja.
- Madrac na roditeljskom krevetu uvijek treba biti viši od stranice krevetića. Ako nije, upotrijebite sustav za podešavanje kako biste bili sigurni da je visina ispravna s obje strane.
- Prije svake uporabe uvijek provjerite nema li razmaka između madraca na roditeljskom krevetu i stijenke krevetića. Povucite i zategnite sustav za pričvršćivanje dok se ne vrati u dopušteno stanje.
- Kad god je bočna stijenka spuštена, provjerite da nije promijenjen položaj matičnog madraca!
- Kada je bočna stijenka krevetića spuštена, treba ga koristiti samo kada je pričvršćen za roditeljski krevet.
- Koristite krevetić sa spuštenom stijenkom samo u načinu zajedničkog spavanja.
- Dijete se može ozlijediti ako je amplituda njihanja prevelika.
- Viseći krevetići mogu predstavljati opasnost za drugu djecu.
- Druga djeca mogu predstavljati dodatne rizike (npr. pretjeranim ljuljanjem krevetića).
- Neravne površine mogu uzrokovati nestabilnost proizvoda.
- Smjestite viseće krevetiće na takav način da ne postoji opasnost od udara ljuljačke (npr. nema opasnosti da dijete udari u okvir krevetića ili da krevetić udari u drugi namještaj).

#### I. DIJELOVI

1. Madrac; 2. Traka za pričvršćivanje; 3. Gornji rukohvat; 4. Nosiljka; 5. Poluga za podešavanje visine; 6. Noga okvira; 7. Univerzalni kotač; 8. Spojni element; 9. Potporna plastična kopča; 10. Osnovna ploča;

#### II. SASTAVLJANJE NOĆNE SPAVAČICE

1. Umetnite poprečnu potpornu cijev u plastični spoj dok ne čujete zvuk klika.
2. Umetnite cijev nosača u plastični spoj dok ne čujete zvuk klika.
- 2.3. Umetnite potpornu cijev u spoj dok ne čujete zvuk klika, a zatim umetnite željeznu šipku u set košarice.
- 2.4. Umetnite željeznu šipku u platneni poklopac.
- 2.5. Željezna šipka označena isprekidanom linijom treba biti skrivena u poklopcu.
- 2.6-2.10 Povucite vrpцу kroz četvrtasti otvor i čvrsto učvrstite u D-prsten.
- 2.11. Postavite madrac i držite ga ravnim, noćni krevet je u potpunosti postavljen.

**BILJEŠKA!** Dječji krevetić je prikladan za krevete minimalne visine 54 cm i maksimalne visine 65 cm.

#### III. KAKO RASTAVITI DONJU STRANU

- 3.1. Otkopčajte patentni zatvarač s obje strane zaštitne ograde.
- 3.2. Gurnite gumb kako pokazuje strelica na gumbu, zatim prema gore prema gornjoj vodilici.
- 3.3. Uklonite krajeve zaštitne ograde.
- 3.4. Skinjte cijev zaštitne ograde i položite je ravno.

**BILJEŠKA!** Uvijek potpuno podignite bočnu stranu kada nije pričvršćena za krevet odrasle osobe!

#### IV. KAKO PODESITI VISINU

##### PODEŠAVANJE VISINE

Kako biste promijenili visinu krevetića, pritisnite poluge za podešavanje visine na oba kraja krevetića i namjestite nosiljku na željenu visinu. Dostupno je sedam postavki visine krevetića. Dječji krevetić omogućuje podešavanje različite visine svakog njegovog kraja.

**UPOZORENJE!** Najveći dopušteni nagib nosiljke je razlika od dvije razine namještanja. Bebinu glavu uvijek držite u krevetiću na gornjem kraju nosiljke.

**UPOZORENJE!** Prilikom podešavanja položaja visine, pazite da kut nagiba postolja kolijevke od kraja do kraja (od glave do stopala) ne bude veći od 10°. Or razlika u visini između lijevog i desnog zupčanika mora biti manja od 2°.

- 4.1. Podignite plastičnu ručku za podešavanje visine s obje strane, a zatim se podiže.
- 4.2. Podignite plastičnu ručku za podešavanje visine s obje strane, zatim povucite gnijezdo prema dolje, ono se spušta prema potrebi.

#### V. POVEZIVANJE S KREVETOM ODRASLIH

**UPOZORENJE!** Kada koristite funkciju noćnog kreveta, bočnu ogradu morate ukloniti i dobro čuvati.

**UPOZORENJE!** Prilikom pričvršćivanja noćnog kreveta, kratki rub zaštitne ograde mora biti tijesno postavljen uz madrac za odrasle kako bi se izbjegle praznine.

**BILJEŠKA!** Kada se koristi kao ležaj pored kreveta, dno nosiljke mora biti paralelno s tlom. Ne smije biti razlike u visini između krajeva krevetića.

**BILJEŠKA!** Prije svake uporabe provjerite da nema razmaka između madraca kreveta odrasle osobe i stranice krevetića.

**UPOZORENJE!** Ovaj proizvod se može koristiti samo s krevetima i/ili madracima koji imaju ravne rubove. Ne koristite ovaj proizvod s krevetima i/ili madracima koji su zaobljeni ili s vodenim krevetima.

#### TIP KREVETA ZA ODRASLE S KOJIM SE NOĆNI KREVET MOŽE ILI NE MOŽE KORISTITI

**UPOZORENJE!** Sustav za pričvršćivanje se UVIJEK mora koristiti u načinu rada za spavanje uz krevet:

- 5.4. Poravnajte krevetić izravno uz roditeljski krevet i provucite sustav za pričvršćivanje ispod madraca kreveta i oko okvira kreveta.
  - 5.5. Osigurajte sustav za pričvršćivanje spajanjem i provlačenjem spojnih kopči. Povucite remen kako biste sigurno pričvrstili sustav za pričvršćivanje na krevet.
  - 5.6. Madrac, opruge i poravnati okvir; Prihvatljivi uvjeti kreveta za odrasle za način zajedničkog spavanja (okvir kreveta u liniji).
  - 5.7. Neprihvatljivi uvjeti kreveta za odrasle za način zajedničkog spavanja (okvir kreveta nije u liniji).
- Nije prikladno za korištenje pored vodenih ili dječjih kreveta.

- Ostavite krevetić pored kreveta prema krevetu odrasle osobe.
- Povežite noćni krevetić i krevet za odrasle remenom, a remenje se mora postaviti između madraca i okvira kreveta za odrasle.

**UPOZORENJE!** Kada koristite funkciju noćnog kreveta, bočnu ogradu morate ukloniti i dobro čuvati.

**UPOZORENJE!** Prilikom pričvršćivanja noćnog kreveta, kratki rub zaštitne ograde mora biti tijesno postavljen uz madrac za odrasle kako bi se izbjegle praznine. Noćni krevet za spavanje može se koristiti samo za poravnati krevet za odrasle. U međuvremenu udaljenost od najniže donje strane poravnatog kreveta za odrasle (strane na spuštanje) do tla trebala bi biti veća od 20 cm.

- 5.2 Uvjerite se da stopalo doseže bočnu dasku kreveta.
- 5.3 Nije prikladno za korištenje pored vodenih ili dječjih kreveta.

#### FUNKCIJA KREVETA ZA SPAVANJE

- 5.1-5.3 Kako biste proizvod koristili kao noćni krevet, potrebno ga je preinačiti. Procedura:
  1. Otkopčajte patentne zatvarače na oba kraja preklapne strane.
  2. Gurnite brave kako biste oslobodili držač ograde.
  3. Spustite preklapnu stranu nosiljke.
  4. Stavite krevetić na stranu kreveta odrasle osobe i postavite visinu krevetića tako da gornji dio madraca kreveta bude u ravnini s - ili ne više od 2 cm iznad - gornjeg ruba preklapne strane.
  5. Provucite trake za pričvršćivanje krevetića ispod madraca kreveta i zakačite krajeve preko okvira kreveta odrasle osobe na suprotnoj strani kreveta. Rubovi moraju biti uspravni između okvira kreveta i madraca.
  6. Pričvrstite trake za pričvršćivanje na krevetić pomoću kopči.
  7. Zategnite trake za pričvršćivanje i provjerite održava li krevetić stabilnim i čvrsto pričvršćen za krevet odrasle osobe.

#### VI. KAKO SE KORISTITI KOČNICOM

- 6.1. Kako biste zaključali kotače kolijevke, pritisnite jezičke kočnice na svakom od kotača.
- 6.2. Za otpuštanje kotača podignite jezičke kočnice.

#### VII. ČIŠĆENJE I ODRŽAVANJE

- Očistite metalne i plastične dijelove vlažnom krpom i blagim deterdžentom.
- Za čišćenje koristite vodu sa sapunom ili meki deterdžent za čišćenje. Operite vrećicu ručno sapunicom. Ne peglati. Ne izbjeljivati.
- NE stavljajte krevetić blizu grijaćih uređaja jer će oštetiti plastiku i tkanine.
- NEMOJTE koristiti krevetić ako bilo koji dio nedostaje, ako je oštećen ili slomljen. Molimo kontaktirajte naše distributere. NEMOJTE mijenjati dijelove.

Korišteni materijali: plastika, tekstil, metal

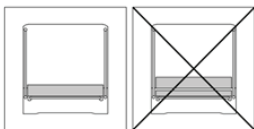
**Proizvedeno za Kika Group Ltd., Vasil Levski 121, Plovdiv, Bugarska. Proizvedeno u Kini. U skladu s EN 1130:2019+AC:2020; EN 16890:2017+A1:2021.**

**VAROVÁNÍ!**

1. Nepoužívejte tento výrobek, aniž byste si nejprve přečetli návod k použití.
2. Přestaňte výrobek používat, jakmile si dítě může sednout, kleknout nebo se vytáhnout.
3. Umístění dalších předmětů do produktu může způsobit udušení.
4. Neumísťujte výrobek do blízkosti jiného výrobku, který by mohl představovat nebezpečí udušení při uškrcení, např. šňůrky, žaluzie / záclonové šňůry atd.

**VAROVÁNÍ!**

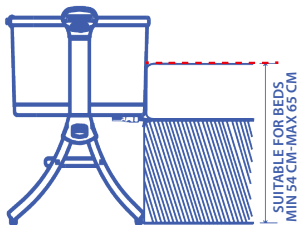
1. Nepoužívejte ve výrobku více než jednu matraci.
2. Kolejnice nesmí být vyšší než matrace pro dospělé.
3. Abyste se vyhnuli riziku uškrcení vašeho dítěte, upevňovací systém k posteli dospělého by měl být vždy umístěn mimo postýlku a mimo ni.
4. Používejte pouze matraci prodávanou s touto postýlkou, nepřidávejte na ni druhou matraci, hrozí nebezpečí udušení.
5. Buďte si vědomi rizika otevřeného ohně a jiných zdrojů silného tepla, jako jsou požáry elektrických tyčí atd. v těsné blízkosti postýlky (postýlka a závěsná postel).



- Výrobek by měl být umístěn na vodorovné podlaze.
- Malé děti by si neměly hrát bez dozoru v blízkosti postýlky.
- Když je dítě ponecháno bez dozoru, postýlka by měla být zajištěna v pevné poloze.
- Všechny montážní prvky by měly být vždy řádně utaženy a je třeba dbát na to, aby nebyly uvolněné žádné šrouby, protože by si dítě mohlo přivřít části těla nebo oblečení (např. uškrcení). Provádějte běžné kontroly, abyste se ujistili, že nejsou uvolněné, poškozené nebo nechybí žádné díly.
- Do postýlky nepoužívejte jinou matraci, než je tato, dodávaná s výrobkem a schválená výrobcem.
- Pokud používáte jinou matraci, než se prodává s postýlkou, ujistěte se, že má správnou tloušťku a je vhodná s postýlkou. Tloušťka zvolené matrace musí být taková, aby vnitřní vertikální výška (plocha vrchní části matrace k hornímu okraji bočnic postele) byla v nejvyšší poloze roštu nejméně 200 mm.
- Pokud použijete jinou matraci než prodávanou s postýlkou, délka a šířka musí být taková, aby maximální mezera mezi matrací a bočnicemi a konci nepřesáhla 30 mm.
- Sklon postýlky je povolen s maximální mezerou 2 poloh mezi jednou nohou a druhou.
- Hlava dítěte by měla být vždy umístěna na nejvyšší straně.
- NEPOUŽÍVEJTE postýlku, pokud některá část chybí, je poškozená nebo rozbitá. Kontaktujte prosím naše distributory. DO NĚNAHRADJTE DÍLY.
- Matrace na rodičovské posteli by měla být vždy vyšší než bočnice postýlky. Pokud ne, použijte seřizovací systém, abyste se ujistili, že výška je na obou stranách správná.
- Upevňovací systém je dodáván s postýlkou. Nepoužívejte jiný upevňovací systém.
- Spací lůžka se nikdy nesmí používat v nakloněné poloze.
- Aby se předešlo nebezpečí udušení v důsledku zachycení, musí být lůžko u lůžka řádně připevněno k lůžku pro dospělé pomocí upevňovacího systému vytažením lůžka ve směru od postele pro dospělé.
- Pokud je mezi lůžkem a postelí pro dospělé mezera, produkt NEPOUŽÍVEJTE.
- Mezery by neměly být vyplněny polštáři, příkrývkami nebo jinými předměty.

**NEBEZPEČÍ! Vždy zcela zvedněte skládací stranu, pokud není připevněna k posteli dospělého.**

- Věk použití: 0-6 měsíců, Max. hmotnost 9 kg.
- Výrobek je připraven k použití pouze tehdy, jsou-li zablokovány zajišťovací mechanismy.
- Před použitím se ujistěte, že jsou bezpečně upevněny.
- Když je vaše dítě bez dozoru ve výrobku v „Konfiguraci postýlky“, vždy se ujistěte, že je bočnice zvednutá a zipy jsou zcela uzavřeny.
- Korpus postýlky nepoužívejte bez rámu.
- Výrobek sestavovat, rozkládat a skládat POUZE dospělá osoba!
- NEDOVOLTE dětem mladším 3 let, aby zcela sestavily výrobek, aby se zabránilo přístupu k malým a rozebraným dílům!
- Jakýkoli plastový kryt by měl být odstraněn, zničen nebo uchovávan mimo dosah dětí, aby nedošlo k udušení.
- Při použití jako samostatné postýlky zajistěte, aby byly nohy postýlky plně prodlouženy.
- Nepoužívejte postýlku, pokud je výška vaší postele menší než 54 cm nebo více než 65 cm nad podlahou.
- Použití výrobku je povoleno pouze s postelemi a/nebo matracemi s rovnými stranami! Použití výrobku s kulatými lůžky a/nebo matrací nebo vodními lůžky nebo nafukovací matrací atd. NENÍ PVOVLENO!
- Když je výrobek používán v „režimu společného spánku“ (přípevnění k posteli), měl by být vždy namontován na delší straně přístupu k posteli. NEUPEVNŮJTE výrobek k hlavě nebo spodní části postele!

**DŮLEŽITÉ PRO BEZPEČNOST VAŠEHO DÍTĚTE!**

- Funkce „Společné spaní“ je použitelná POUZE u typu postelí, které splňují všechny podmínky popsané výše a v tomto odstavci! Zejména boční opěra postýlky by měla být vždy umístěna blízko matrace rodiče a matrace by měla být vždy zarovnána s výškou boční opěrky pro omezení postýlky.
- Dále musí být postýlka pevně připevněna ke konstrukci lůžka rodičů nebo k podpěře matrace (síť nebo rošt).
- Při použití výrobku ve funkci „Společné spaní“, aby se předešlo nebezpečí udušení při zachycení, musí být spací lůžko řádně připevněno k lůžku pro dospělé pomocí upevňovacího systému.

- Mezi spodní stranou lůžka a matrací dospělého lůžka nikdy nesmí být mezera.
- Před každým použitím zkontrolujte těsnost upevňovacího systému vytažením lůžka ve směru od postele pro dospělé.
- Pokud je mezi lůžkem a postelí pro dospělé mezera, produkt NEPOUŽÍVEJTE.
- Zkontrolujte, zda postýlka v režimu společného spánku nepřekáží v posteli rodičů.
- Matrace na rodičovské posteli by měla být vždy vyšší než bočnice postýlky. Pokud ne, použijte seřizovací systém, abyste se ujistili, že výška je na obou stranách správná.
- Před každým použitím vždy zkontrolujte, zda mezi matrací na rodičovské posteli a stěnou postýlky není mezera. Zatáhněte a utáhněte upevňovací systém, dokud se neobnoví povolený stav.
- Když je boční stěna snížena, zkontrolujte, zda se nezměnila poloha rodičovské matrace!
- Když je boční stěna postýlky snížena, měla by se používat pouze tehdy, když je připevněna k posteli rodičů.
- Postýlku se spuštěnou stěnou používejte pouze v režimu společného spaní.
- Pokud je amplituda houpání příliš velká, dítě se může zranit.
- Závěsné postýlky mohou představovat riziko pro ostatní děti.
- Jiné děti mohou představovat další rizika (např. nadměrným houpáním postýlky).
- Nerovné povrchy mohou způsobit nestabilitu produktu.
- Závěsné postýlky umístěte tak, aby neohrozilo riziko nárazu dítěte do rámu postýlky nebo nárazu postýlky do jiného nábytku).

**I. DÍLY**

1. Matrace; 2. Montážní pruh; 3. Horní madlo; 4. přenoska; 5. Páka nastavení výšky; 6. Noha rámu; 7. Univerzální kolo; 8. Spojovací prvek;
9. Nosná plastová spona; 10. Základní deska;

**II. MONTÁŽ NOČNÍHO SPACE**

- 2.1. Zasuňte příčnou nosnou trubku do plastového spoje, dokud neuslyšíte cvaknutí.
  - 2.2. Vložte trubku držáku do plastového spoje, dokud neuslyšíte cvaknutí.
  - 2.3. Zasuňte nosnou trubku do spoje, dokud neuslyšíte cvaknutí, poté vložte železnou tyč do sady kočárků.
  - 2.4. Vložte železnou tyč do látkového krytu.
  - 2.5. Železná tyč označená tečkovanou čarou by měla být skryta v krytu.
  - 2.6-2.10 Provléknete průchody pásky čtvercovým otvorem a pevně upevněte do D-kroužku.
  - 2.11. Umístěte matraci a držte ji naplocho, spací lůžko je zcela nainstalováno.
- POZNÁMKA! Dětská postýlka je vhodná pro postele s minimální výškou 54 cm a maximální výškou 65 cm.**

**III. JAK DEMONTOVAT PADACÍ STRANU**

- 3.1. Rozepněte zip na obou stranách zábradlí.
- 3.2. Stiskněte tlačítko ve směru šipky na tlačítku a poté směrem nahoru k horní liště.
- 3.3. Odstraňte konce zábradlí.
- 3.4. Sundejte trubku zábradlí a položte ji naplocho.

**POZNÁMKA! Vždy zcela zvedněte skládací stranu, pokud není připevněna k posteli dospělého!****IV. JAK NASTAVIT VÝŠKU****NASTAVENÍ VÝŠKY**

Chcete-li změnit výšku postýlky, stiskněte páčky nastavení výšky na obou koncích postýlky a nastavte korbičku do požadované výšky. K dispozici je sedm nastavení výšky postýlky. Postýlka umožňuje nastavení jiné výšky každého jejího konce.

**VAROVÁNÍ!** Maximální povolený sklon korbičky do postýlky je rozdíl dvou úrovní nastavení. Vždy mějte hlavu dítěte v postýlce na horním konci korbičky.

**VAROVÁNÍ!** Při nastavování výškové polohy dbejte na to, aby úhel sklonu konce korbičky ke konci (hlavy k patám) nebyl větší než 10°, rozdíl mezi levým a pravým převodem výšky musí být menší než 2°.

- 4.1. Zvedněte plastovou rukojeť pro nastavení výšky na obou stranách, poté se posune výše.
- 4.2. Zvedněte plastovou rukojeť pro nastavení výšky na obou stranách, poté stáhněte hnízdo dolů, sjede níže, jak potřebujete.

**V. SPOJENÍ S POSTELEM DOSPĚLÉHO**

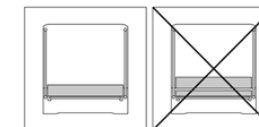
**VAROVÁNÍ!** Při použití funkce nočního lůžka je nutné sundat a dobře udržovat sklopné zábradlí.

**VAROVÁNÍ!** Při upevňování nočního lůžka musí krátký okraj zábradlí těsně přiléhat k matraci pro dospělé, aby nevznikla žádná mezera.

**POZNÁMKA!** Při použití jako lůžko na spaní musí být dno korbičky rovnoběžné se zemí. Mezi konci postýlky nesmí být žádný výškový rozdíl.

**POZNÁMKA!** Před každým použitím se ujistěte, že mezi matrací dospělého a stranou postýlky není žádná mezera.

**VAROVÁNÍ!** Tento výrobek lze použít pouze s postelemi a/nebo matracemi, které mají rovné okraje. Nepoužívejte tento výrobek s postelemi a/nebo matracemi, které jsou zaoblené, nebo s vodními postelemi.



## TYP POSTELÍ PRO DOSPĚLÉ, SE KTERÝMI SE LZE NEBO NEMŮŽE POUŽÍŤ

**VAROVÁNÍ!** Upevňovací systém musí být VŽDY používán v režimu spánku u postele:

- 5.4. Vyrovnajte postýľku priamo vedle rodičovské postele a protáhněte upevňovací systém pod matrací postele a kolem rámu postele.
  - 5.5. Upevňovací systém zajistěte připojením a protažením spony dohromady. Zatáhněte za popruh, abyste připevňovací systém bezpečně utáhli k lůžku.
  - 5.6. Matrace, taštičkové pružiny a rám zarovnané; Přijatelné podmínky pro dospělě lůžko pro režim společného spánku (rám postele in-line).
  - 5.7. Nepřijatelné podmínky pro lůžko pro dospělě pro režim společného spánku (rám postele není in-line).
- Nevhodné pro použití vedle vodních postelí nebo dětských postelí.

- Nechte postel u postele směrem k posteli dospělěho.
- Spojte noční postýľku a postel pro dospělě pomocí popruhu, popruh musí být umístěn mezi matrací a rámem postele pro dospělě.

**VAROVÁNÍ!** Při použití funkce nočního lůžka je nutné sundat a dobře udržovat sklopně zábradlí.

**VAROVÁNÍ!** Při upevňování nočního lůžka musí krátký okraj zábradlí těsně přiléhat k matrací pro dospělě, aby nevznikla žádná mezera. Spací lůžko lze použít pouze pro zarovnanou postel pro dospělě. Mezitím by vzdálenost od nejnižší spodní strany vyrovnané postele pro dospělě (sklopňá strana) k zemi měla být větší než 20 cm.

- 5.2 Ujistěte se, že noha dosáhne na boční desku postele.
- 5.3 Nevhodně pro použití vedle vodních postelí nebo dětských postelí.

## FUNKCE NOČNÍHO SPÁNKU

5.1-5.3 Chcete-li produkt používat jako spací postel u postele, je třeba jej předělat. Postup:

1. Rozepněte zipy na obou koncích skládací strany.
2. Posunutím zámků uvolněte držák zábradlí.
3. Spustěte skládací stranu korbíčky.
4. Postavte postýľku ke straně dospělěho lůžka a nastavte výšku postýľky tak, aby horní část matrace lůžka byla na úrovni - nebo ne více než 2 cm nad - horní hranou skládací strany.
5. Protáhněte upevňovací popruhy postýľky pod matrací postele a zahákněte konce přes rám postele pro dospělěho na opačné straně postele. Konce musí být mezi rámem postele a matrací vzpřímeně.
6. Upevňovací popruhy zajistěte k postýľce pomocí spon.
7. Utáhněte montážní popruhy a ujistěte se, že to udržuje postýľku stabilní a pevně připojen k posteli dospělěho.

## VI. JAK POUŽÍVAT BRZDU

- 6.1. Chcete-li zablokovat kolečka dětské postýľky, zatlačte na brzdogvé jazýčky na každém z koleček.
- 6.2. Chcete-li kola uvolnit, zvedněte brzdogvé jazýčky.

## VII. ČIŠTĚNÍ A ÚDRŽBA

- Kovové a plastové části čistěte vlhkým hadříkem a jemným čistícím prostředkem.
- K čištění použijte mýdlovou vodu nebo jemný čistící prostředek. Umyjte sáček ručně mýdlovou vodou. Nežehlit. Nebělit.
- NEUMÍSTUJTE postýľku do blízkosti topných těles, protože by to poškodilo plast a tkaniny.
- NEPOUŽÍVEJTE postýľku, pokud některá část chybí, je poškozená nebo rozbitá. Kontaktujte prosím naše distributory. DO NĚ nahrazujte díly.

Použitě materiály: plast, textil, kov

Vyrobeno pro Kika Group Ltd., Vasil Levski 121, Plovdiv, Bulharsko. Vyrobeno v Číně.  
Vyhovuje EN 1130:2019+AC:2020; EN 16890:2017+A1:2021.

## POZOR!

1. Nepoužívejte tento výrobek bez toho, aby ste si najprv přečítali návod na použití.
2. Prestaňte výrobok používať hneď, ako si dieťa dokáže sadnúť alebo kľaknúť alebo sa vytiahnuť.
3. Vloženie ďalších predmetov do produktu môže spôsobiť udusenie.
4. Neumiestňujte výrobok do blízkosti iného výrobku, ktorý by mohol predstavovať nebezpečenstvo udusenía resp. úškrtienia, napr. šnúrky, žalúzie / záclonové šnúry atď.

## POZOR!

1. Vo výrobku nepoužívejte viac ako jeden matrac.
2. Kolajnica nesmie byť vyššia ako matrac pre dospělě osobu.
3. Aby sa predišlo riziku úškrtienia vášho dieťaťa, systém prípravenia k posteli dospělěho by mal byť vždy umiestnený mimo postielky a mimo nej.
4. Používejte iba matrac predávaný s touto postielkou, nepridávajte na ňu druhý matrac, hrozí nebezpečenstvo udusenía.
5. Buďte si vedomí rizika otvoreného ohňa a iných zdrojov silného tepla, ako sú požiare elektrických tyčí a pod. v tesnej blízkosti postielky (postielka a závesná postel).

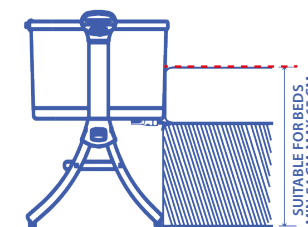
- Výrobok by mal být umístěný na vodorovnej podlahe.
- Malým deťom by sa nemalo dovoliť hrať sa bez dozoru v blízkosti postielky.
- Keď je dieťa ponechané bez dozoru, postielka by mala být zaistená v pevnej polohe.
- Všetky montážne armatúry by mali být vždy riadne utiahnuté a je potrebné dbať na to, aby neboli uvoľnené žiadne skrutky, pretože by si dieťa mohlo zachytiť časti tela alebo odevu (napr. šnúrky, náhrdelníky, stuhy pre bábiky bábätiek a pod.), čo by predstavovalo riziko úškrtienia. Vykonajte bežné kontroly, aby ste sa uistili, že nie sú uvoľnené, poškodené alebo chýbajúce časti.
- Do postielky nepoužívejte iný matrac, ako je tento, dodávaný s výrobkom a schválený výrobcom.
- Ak používate iný matrac, ako sa predáva s postielkou, uistite sa, že má správnu hrúbku a je vhodný s postielkou. Hrúbka zvoleného matraca musí být taká, aby vnútorná vertikálna výška (plocha vrchnej časti matraca po horný okraj bočnic postele) bola v najvyššej polohe roštu najmenej 200 mm.
- Ak použijete iný matrac ako predávaný s postielkou, dĺžka a šírka musia být také, aby maximálna medzera medzi matracom a bočnicami a koncami nepresiahla 30 mm.
- Sklon postielky je povolený s maximálnou medzerou 2 poloh medzi jednou nohou a druhou.
- Hlava dieťaťa by mala být vždy umiestnená na najvyššej strane.
- NEPOUŽÍVAJTE postielku, ak niektoré časti chýbajú, sú poškodené alebo zlomené. Prosím, kontaktujte našich distribútorov. NIE náhradné diely.
- Matrac na rodičovskej posteli by mal být vždy vyšší ako bočnica postielky. Ak nie, pomocou nastavovacieho systému skontrolujte, či je výška na oboch stranách správna.
- Upevňovací systém je dodávaný s postielkou. Nepoužívejte iný upevňovací systém.
- Nočné podvaly sa nikdy nesmú používať v naklonenej polohe.
- Aby sa predišlo nebezpečenstvu udusenía v dôsledku zachytenia, lóžko pri lóžku musí byť riadne prípravené k posteli pre dospělých pomocou upevňovacieho systému. Medzi spodnou stranou lóžka pre dospělých a matracom postele pre dospělých nikdy nesmie byť medzera. Pred každým použitím skontrolujte tesnosť upevňovacieho systému potiahnutím postele pri posteli smerom od postele pre dospělých.
- Ak je medzi lóžkom pri posteli a postelou pre dospělých medzera, výrobok NEPOUŽÍVAJTE.
- Medzery by nemali být vyplnené vankúšmi, prikrývkami alebo inými predmetmi.

## NEBEZPEČENSTVO! Vždy úplne zdvihnite sklopňá stranu, keď nie je pripevnená k posteli dospělěho.

- Vek používania: 0-6 mesiacov, Max. hmotnosť 9 kg.
- Výrobok je pripravený na použitie len vtedy, keď sú uzamykacie mechanizmy zapnuté.
- Pred použitím sa uistite, že sú bezpečne upevnené.
- Keď je vaše dieťa bez dozoru vo výrobku v „Konfigurácii postielky“, vždy sa uistite, že je bočnica zdvihnutá a zipsy sú úplne zatvorené.
- Korpus postielky nepoužívejte bez rámu.
- Montáž, rozkladanie a skladanie výrobku LEN dospělá osoba!
- NEDOVOLTE deťom mladším ako 3 roky úplne zostaviť výrobok, aby sa zabránilo prístupu k malým a rozobratým častiam!
- Akýkoľvek plastový kryt by mal být odstránený, zničený alebo uchovávaný mimo dosahu detí, aby nedošlo k uduseniu.
- Pri použití ako samostatnej postielky sa uistite, že nohy postielky sú úplne predĺžené.
- Dětskú postielku nepoužívejte, ak je výška vašej postele menšia ako 54 cm alebo viac ako 65 cm nad podlahou.
- Použitie výrobku je povolené len s postelami a/alebo matracmi s rovnými stranami! Použitie výrobku s okružnými postelami a/alebo matracmi alebo vodnými postelami alebo nafukovacími matracmi atď. NIE JE POVOLENÉ!
- Keď sa výrobok používa v „režime spoločného spánku“ (upevnenie na postel), mal být vždy pripevnený k dlhšej strane prístupu k posteli. NEUPEVŇUJTE výrobok na hlavu alebo spodok postele!

## DŔLEŽITÉ PRE BEZPEČNŔŠŤ VÁŠHO DIEŤAŤA!

- Funkcia „spoločné spanie“ je použiteľná LEN s typmi postelí, ktoré spĺňajú všetky podmienky opísané vyššie a v tomto odseku! Najmä bočná opierka postielky by mala být vždy umiestnená v blízkosti matraca rodiča a matrac by mal být vždy zarovnaný s výškou bočnej opierky na pridržiavanie postielky.



- Ďalej musí byť postielka pevne pripevnená ku konštrukcii rodičovskej postele alebo k podložke matraca (sietka alebo rošt).
- Pri použití výrobku pri „funkcii spoločného spánku“, aby sa predišlo nebezpečenstvu udusenía pri zachytení, musí byť lôžko pri posteli správne pripevnené k posteli pre dospelých pomocou systému uchytenia.
- Medzi spodnou stranou postele pri posteli a matracom postele pre dospelých nikdy nesmie byť medzera.
- Pred každým použitím skontrolujte tesnosť upevňovacieho systému potiahnutím postele pri posteli smerom od postele pre dospelých.
- Ak je medzi lôžkom pri posteli a postelou pre dospelých medzera, výrobok NEPOUŽÍVAJTE.
- Skontrolujte, či postielka v režime spoločného spánku neprekáča v posteli rodičov.
- Matrac na rodičovskej posteli by mal byť vždy vyšší ako bočnica postielky. Ak nie, pomocou nastavovacieho systému skontrolujte, či je výška na oboch stranách správna.
- Pred každým použitím vždy skontrolujte, či medzi matracom na rodičovskej posteli a stenou postielky nie je priestor. Ťahajte a ťahujte upevňovací systém, kým sa neobnoví povolený stav.
- Vždy, keď sa spustí bočná stena, skontrolujte, či sa nezmenila poloha rodičovského matraca!
- Keď je bočná stena postielky znížená, mala by sa používať iba vtedy, keď je pripevnená k posteli rodiča.
- Postielku so spustenou stenou používajte iba v režime spoločného spánku.
- Ak je amplitúda hojdania nadmerná, dieťa sa môže zraniť.
- Závesné postielky môžu predstavovať riziko pre ostatné deti.
- Iné deti môžu predstavovať ďalšie riziká (napríklad nadmerným hojdaním postielky).
- Nerovné povrchy môžu spôsobiť nestabilitu produktu.
- Závesné postielky umiestnite tak, aby nehrozilo riziko nárazu hojdačkou (napr. žiadne riziko nárazu dieťaťa do rámu postielky alebo nárazu postielky do iného nábytku).

## I. ČASTI

1. Matrac; 2. Upevňovací popruh; 3. Horné zábradlie; 4. prenoska; 5. Páka nastavenia výšky; 6. Noha rámu; 7. Univerzálne koleso; 8. Spojovací prvok; 9. Nosná plastová spona; 10. Základná doska;

## II. MONTÁŽ NOČNÉHO NÁPADU

1. Zasuňte priečnu nosnú rúčku do plastového spoja, kým nebudete počuť cvaknutie.
  2. Vložte trubicu držiaka do plastového spoja, kým nebudete počuť cvaknutie.
  - 2.3. Zasuňte nosnú rúčku do spoja, kým nezačujete cvaknutie, potom vložte železnú tyč do súpravy kociek.
  - 2.4. Vložte železnú tyč do látkového krytu.
  - 2.5. Železná tyč označená bodkovanou čiarou by mala byť skrytá v kryte.
  - 2.6-2.10 Prevlečte priechody pásky cez štvorcový otvor a pevne upevnite do D-krúžku.
  - 2.11. Umjestnite matrac a potom ho držte rovno, posteľ pri posteli je úplne nainštalovaná.
- POZNÁMKA!** **Dieťa postielka je vhodná do postieľok s minimálnou výškou 54 cm a maximálnou výškou 65 cm.**

## III. AKO ROZOBRAŤ PADACIU STRANU

- 3.1. Rozopnite zips na oboch stranách zábradlia.
- 3.2. Stlačte tlačidlo tak, ako ukazuje šípka na tlačidle, a potom smerom nahor k hornej kolajnici.
- 3.3. Odstráňte konce zábradlia.
- 3.4. Zložte rúru zábradlia a položte ju naplocho.

**POZNÁMKA!** **Vždy úplne zdvihnite padaciu stranu, keď nie je pripevnená k posteli dospelého!**

## IV. AKO NASTAVIŤ VÝŠKU

### NASTAVENIE VÝŠKY

Ak chcete zmeniť výšku postielky, stlačte páčky nastavenia výšky na oboch koncoch postielky a nastavte korbičku do požadovanej výšky. K dispozícii je sedem nastavení výšky postielky. Postielka umožňuje nastavenie inej výšky každého jej konca.

**POZOR!** Maximálny povolený sklon korbičky do postielky je rozdiel dvoch úrovní nastavenia. Hlavu dieťaťa majte vždy v postielke na vyššom konci korbáčika.

**POZOR!** Pri nastavovaní výškovej polohy dbajte na to, aby uhol sklonu čela korby (hlava k nohám) nebol väčší ako 10°, rozdiel medzi ľavým a pravým prevodom výšky musí byť menší ako 2°.

- 4.1. Zdvihnite plastovú rukoväť na nastavenie výšky na oboch stranách, potom sa zdvihne vyššie.
- 4.2. Zdvihnite plastovú rukoväť na nastavenie výšky na oboch stranách, potom stiahnite hniezdo, spadne nižšie, ako potrebujete.

## V. SPOJENIE S POSTEĽOU DOSPELÉHO

**POZOR!** Pri použití funkcie nočnej postele je potrebné sklopnú bočnicu, ktorú je potrebné odstrániť a dobre ponechať.

**POZOR!** Pri upevňovaní nočnej postele musí byť krátky okraj zábradlia tesne priliehavý k matracu pre dospelých, aby sa predišlo akejkoľvek medzere.

**POZNÁMKA!** Pri použití ako posteľ pri posteli musí byť spodná časť vaničky rovnoobežná so zemou. Medzi koncami postielky nesmie byť žiadny výškový rozdiel.

**POZNÁMKA!** Pred každým použitím sa uistite, že medzi matracom dospeljej osoby a bočnou stranou postielky nie je žiadna medzera.

**POZOR!** Tento výrobok je možné použiť iba s postelami a/alebo matracmi, ktoré majú rovné okraje. Nepoužívajte tento výrobok so žiadnymi postelami a/alebo matracmi, ktoré sú zaoblené, alebo s vodnými postelami.

## TYP POSTELÍ PRE DOSPELÝCH, S KTORÝMI SA NEMÔŽE ALEBO NESMIE POUŽÍVAŤ NOČNÝ SPÁNOK

**POZOR!** Upevňovací systém sa musí **VŽDY** používať v režime spánku pri posteli:

- 5.4. Zarovnajtie postielku priamo vedľa rodičovskej postele a prevlečte upevňovací systém pod matrac postele a okolo rámu postele.
  - 5.5. Upevňovací systém zaistíte spojením a zložením spony dohromady. Potiahnutím popruhu pevne utiahnite upevňovací systém k posteli.
  - 5.6. Matrac , taštičkové pružiny a rám zarovnané; Prijateľné podmienky na lôžku pre dospelých pre režim spoločného spánku (rám postele in-line).
  - 5.7. Neprijateľné podmienky na posteli pre dospelých pre režim spoločného spánku (rám postele nie je in-line).
- Nevhodné na použitie vedľa vodných postelí alebo detských postelí.

- Posuňte postielku pri posteli smerom k posteli dospelého.
- Spojte nočnú postielku a posteľ pre dospelých popruhom, popruh musí byť umiestnený medzi matracom a rámom postele pre dospelých.

**POZOR!** Pri použití funkcie nočnej postele je potrebné sklopnú bočnicu, ktorú je potrebné odstrániť a dobre ponechať.

**POZOR!** Pri upevňovaní nočnej postele musí byť krátky okraj zábradlia tesne priliehavý k matracu pre dospelých, aby sa predišlo akejkoľvek medzere. Posteľ pri posteli je možné použiť len pre zarovnanú posteľ pre dospelých. Medzitým by vzdialenosť od najnižšej spodnej strany zarovnanej postele pre dospelých (dolná strana) k zemi mala byť väčšia ako 20 cm.

- 5.2 Uistite sa, že noha siaha k bočnej doske postele.
- 5.3 Nevhodné na použitie vedľa vodných postelí alebo detských postelí.

## FUNKCIA NOČNÉHO SPÁNKU

5.1-5.3 Ak chcete produkt používať ako posteľ pri posteli, je potrebné ho prerobiť. Procedúra:

1. Uvoľníte zipsy na oboch koncoch skladacej strany.
2. Posunutím zámkov uvoľníte držiak zábradlia.
3. Znížte sklápacia stranu vaničky.
4. Položte postielku na stranu postele pre dospelého a nastavte výšku postielky tak, aby horná časť matraca postele bola na úrovni – alebo nie viac ako 2 cm nad – horným okrajom sklopnej strany.
5. Upevňovacie popruhy postielky prevlečte pod matrac postele a konce zaveste cez rám postele pre dospelého na opačnej strane postele. Konce medzi rámom postele a matracom musia byť vzpriamené.
6. Zaistíte upevňovacie popruhy k postielke pomocou spón.
7. Utiahnite upevňovacie popruhy a uistite sa, že postielka zostane stabilná pevne pripevnené k posteli dospelého.

## VI. AKO POUŽÍVAŤ BRZDU

- 6.1. Ak chcete zablokovať kolieska postielky, stlačte brzdové jazýčky na každom z koliesok.
- 6.2. Ak chcete koliesá uvoľniť, zdvihnite brzdové jazýčky.

## VII. ČISTENIE A ÚDRŽBA

- Kovové a plastové časti čistite vlhkou handričkou a jemným čistiacim prostriedkom.
- Na čistenie použite mydlovú vodu alebo jemný čistiaci prostriedok. Vrecko umyte ručne mydlovou vodou. Nežehliť. Nebieliť.
- Postielku NEUMIESTŇUJTE do blízkosti vykurovacích zariadení, pretože by to poškodilo plast a tkaniny.
- NEPOUŽÍVAJTE postielku, ak niektoré časti chýbajú, sú poškodené alebo zlomené. Prosím, kontaktujte našich distribútorov. NIE náhradné diely.

Použitie materiály: plast, textil, kov

**Vyrobené pre Kika Group Ltd., Vasil Levski 121, Plovdiv, Bulharsko. Vyrobené v Číne.**  
**Vyhovuje norme EN 1130:2019+AC:2020; EN 16890:2017+A1:2021.**

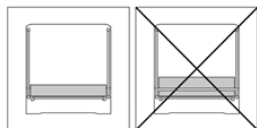
## OPOZORILO!

1. Ne uporabljajte tega izdelka, ne da bi prej prebrali navodila za uporabo.
2. Izdelek prenehajte uporabljati takoj, ko lahko otrok sedi ali kleči ali se dvigne.
3. Namestitev dodatnih predmetov v izdelek lahko povzroči zadušitev.
4. Izdelka ne postavljajte v bližino drugega izdelka, kar bi lahko predstavljalo nevarnost zadušitve oz. zadavljenje, npr. vrvice, vrvice za rolete/zaveso itd.



## OPOZORILO!

1. V izdelku ne uporabljajte več kot ene vzmetnice.
2. Ograja ne sme biti višja od vzmetnice za odrasle.
3. Da bi se izognili nevarnosti, da bi bil vaš otrok zadavljen, naj bo sistem za pritrditev na posteljo odrasle osebe vedno stran od otroške posteljice.
4. Uporabljajte samo vzmetnico, ki je naprodaj s to otroško posteljico, na to ne dodajajte druge vzmetnice, nevarnost zadušitve.
5. Zavedajte se nevarnosti odprtega ognja in drugih virov močne toplote, kot so električni ognji itd. v bližini otroške posteljice (jaslice in viseče postelje).



- Izdelek je treba postaviti na vodoravna tla.
- Majhni otroci se ne smejo igrati brez nadzora v bližini posteljice.
- Ko je otrok brez nadzora, mora biti posteljica zaklenjena v fiksnem položaju.
- Vsi priključki za montažo morajo biti vedno dobro zategnjeni in paziti je treba, da vijaki niso zrahljani, saj bi lahko otrok ujel dele telesa ali oblačila (npr. vrvice, ogrlice, trakove za lutke dojenčkov itd.), kar bi predstavljalo tveganje za zadavljenje. Opravite rutinske preglede, da se prepričate, da ni zrahljanih, poškodovanih ali manjkajočih delov.
- Za posteljico ne uporabljajte vzmetnice, ki ni drugačna od te, ki je priložena izdelku in jo je odobril proizvajalec.
- Če uporabljate vzmetnico, ki se razlikuje od tiste, ki je naprodaj s posteljico, se prepričajte, da je ustrezne debeline in je primerna za posteljico. Debelina izbrane vzmetnice mora biti takšna, da je notranja navpična višina (površina vrha vzmetnice do zgornjega roba posteljnih stranic) v najvišji legi posteljnega dna najmanj 200 mm.
- Če uporabljate drugo vzmetnico od tiste, ki je naprodaj s to otroško posteljico, morata biti dolžina in širina takšni, da največji razmak med vzmetnico ter stranicami in konci ne presega 30 mm.
- Naklon posteljice je dovoljen z največ 2 položaji med eno in drugo nogo.
- Otrokova glava mora biti vedno na najvišji strani.
- NE uporabljajte posteljice, če kateri koli del manjka, je poškodovan ali zlomljen. Prosimo, kontaktirajte naše distributerje. NE zamenjajte delov.
- Vzmetnica na starševski postelji mora biti vedno višja od stranice otroške posteljice. Če ne, uporabite sistem za prilagajanje, da zagotovite pravilno višino na obeh straneh.
- Sistem za pritrditev je priložen posteljici. Ne uporabljajte drugega sistema pritrditve.
- Posteljnih pragov nikoli ne uporabljajte v nagnjenem položaju.
- Da bi preprečili nevarnost zadušitve zaradi zagoditve, mora biti posteljni prag pravilno pritrjen na posteljo za odrasle s pritrilnim sistemom. Med spodnjo stranjo spalnega ležišča in vzmetnico postelje za odrasle nikoli ne sme biti vrzeli. Pred vsako uporabo preverite tesnost pritrilnega sistema tako, da povlečete posteljno posteljo v smeri stran od postelje za odrasle.
- Če obstaja kakršna koli vrzel med posteljo ob postelji za odrasle, NE uporabljajte izdelka.
- Vrzeli se smete zapolniti z blazinami, odejami ali drugimi predmeti.

## NEVARNOST! Kadar ni pritrjen na posteljo za odrasle, vedno popolnoma dvignite spustno stran.

- Starost uporabe: 0-6 mesecev, maks. teža 9 kg.
- Izdelek je pripravljen za uporabo šele, ko so vklopljeni zaklepni mehanizmi.
- Pred uporabo se prepričajte, da so varno pritrjeni.
- Ko je vaš otrok brez nadzora v izdelku v "konfiguraciji otroške posteljice", se vedno prepričajte, da je stranica dvignjena in da so zadržke popolnoma zaprte.
- Ne uporabljajte telesa posteljice brez okvirja.
- Izdelek sestavi, raztegne in zloži SAMO odrasla oseba!
- Otrokom, mlajšim od 3 let, NE dovolite, da popolnoma sestavijo izdelek, da preprečite dostop do majhnih in razstavljenih delov!
- Vse plastične prevleke je treba odstraniti, uničiti ali hraniti izven dosega otrok, da se izognete zadušitvi.
- Prepričajte se, da so noge posteljice popolnoma podaljšane, če jo uporabljate kot samostojno posteljico.
- Ne uporabljajte posteljice, če je višina vaše postelje nižja od 54 cm ali več kot 65 cm nad tlemi.
- Uporaba izdelka je dovoljena le pri posteljah in/ali vzmetnicah z ravnimi stranicami! Uporaba izdelka z okroglimi posteljami in/ali žimnicami ali vodnimi posteljami ali napolnjenimi žimnicami itd. NI DOVOLJENA!
- Ko izdelek uporabljate v načinu »skupnega spanja« (pritrjen na posteljo), mora biti vedno nameščen na dolgi strani dostopa do postelje. Izdelka NE pritrдите na vzglavje ali dno postelje!

## POMEMBNO ZA VARNOST VAŠEGA OTROKA!

- Funkcija "Skupno spanje" je uporabna SAMO pri tipu ležišč, ki izpolnjujejo vse pogoje, opisane zgoraj in v tem odstavku! Zlasti mora biti stranska opora posteljice vedno blizu vzmetnice staršev, vzmetnica pa mora biti vedno poravnana z višino stranske opore za zadrževanje posteljice.

- Poleg tega mora biti posteljica trdno pritrjena na konstrukcijo starševske postelje ali na nosilec vzmetnice (mreža ali letvice).
- Pri uporabi izdelka s funkcijo »Skupno spanje«, da preprečite nevarnost zadušitve zaradi ukleščenja, mora biti posteljina spalnica pravilno pritrjena na posteljo za odrasle s sistemom pritrditve.
- Med spodnjo stranjo posteljnega praga in vzmetnico postelje za odrasle nikoli ne sme biti vrzeli.
- Pred vsako uporabo preverite tesnost pritrilnega sistema tako, da povlečete posteljno posteljo v smeri stran od postelje za odrasle.
- Če obstaja kakršna koli vrzel med posteljo ob postelji in posteljo za odrasle, NE uporabljajte izdelka.
- Prepričajte se, da posteljica v načinu skupnega spanja ne moti postelje staršev.
- Vzmetnica na starševski postelji mora biti vedno višja od stranice otroške posteljice. Če ne, uporabite sistem za prilagajanje, da zagotovite pravilno višino na obeh straneh.
- Pred vsako uporabo vedno preverite, da med vzmetnico na starševski postelji in steno posteljice ni prostora. Potegnite in zategnite pritrilni sistem, dokler se ne vzpostavi dovoljeno stanje.
- Vsakič, ko je stranska stena spuščena, preverite, da se položaj matične vzmetnice ne spremeni!
- Ko je stranska stena posteljice spuščena, jo uporabljajte samo, ko je pritrjena na posteljo staršev.
- Posteljico uporabljajte s spuščeno steno samo v načinu skupnega spanja.
- Otroci se lahko poškodujejo, če je amplituda nihanja prevelika.
- Viseče posteljice lahko predstavljajo tveganje za druge otroke.
- Drugi otroci lahko predstavljajo dodatna tveganja (npr. s čezmernim nihanjem posteljice).
- Neravne površine lahko povzročijo nestabilnost izdelka.
- Viseče posteljice postavite tako, da ni nevarnosti gugalnice (npr. ni nevarnosti, da bi otrok udaril ob okvir posteljice ali da bi posteljica udarila v drugo pohištvo).

## I. DELI

1. Vzmetnica; 2. Montažni trak; 3. Zgornja ograja; 4. Nosilec; 5. Ročica za nastavitev višine; 6. Noga okvirja; 7. Univerzalno kolo; 8. Povezovalni element; 9. Podporna plastična sponka; 10. Osnovna plošča;

## II. MONTAŽA NOČNEGA SPALNIKA

- 2.1. Vstavite prečno nosilno cev v plastični spoj, dokler ne zaslišite klika.
- 2.2. Vstavite cev nosilca v plastični spoj, dokler ne zaslišite klika.
- 2.3. Vstavite podporno cev v spoj, dokler ne zaslišite klika, nato vstavite železno palico v komplet košare.
- 2.4. V prevleko iz blaga vstavite železno palico.
- 2.5. Železna palica, ki je označena s črtkano črto, naj bo skrita v pokrovu.
- 2.6-2.10 Postavite trakove skozi kvadratno luknjo in jih trdno pritrđite na D-obroč.
- 2.11. Položite vzmetnico in jo držite ravno, posteljni prag je v celoti nameščen.

**OPOMBA!** Otroška posteljica je primerna za postelje minimalne višine 54 cm in maksimalne višine 65 cm.

## III. KAKO RAZSTAVITI SPUSTNO STRAN

- 3.1. Odpnite zadrgo na obeh straneh zaščitne ograje.
- 3.2. Potisnite gumb, kot kaže puščica na gumbu, nato pa navzgor po zgornjem vodilu.
- 3.3. Odstranite konca zaščitne ograje.
- 3.4. Snemite zaščitno cev in jo položite ravno.

**OPOMBA!** Vedno popolnoma dvignite spustno stran, ko ni pritrjena na posteljo odrasle osebe!

## IV. KAKO PRILAGODITI VIŠINO

### NASTAVITEV VIŠINE

Če želite spremeniti višino posteljice, pritisnite vzvoda za nastavitev višine na obeh koncih posteljice in nastavite nosilko na zeleno višino. Na voljo je sedem nastavitev višine posteljice. Posteljica omogoča nastavitve različne višine vsakega od njenih koncev.

**OPOZORILO!** Največji dovoljeni nagib nosilca za posteljico je razlika dveh stopenj nastavitve. Otrokova glava naj bo vedno v posteljici na višjem koncu nosilca.

**OPOZORILO!** Pri prilagajanju položaja višine se prepričajte, da kot naklona dna zibelke od konca do konca (glava do nog) ne sme biti večji od 10°. Oz. razlika v višini med levo in desno prestavo mora biti manjša od 2°.

- 4.1. Dvignite plastični ročaj za nastavitev višine na obeh straneh, nato se dvigne višje.
- 4.2. Dvignite plastični ročaj za nastavitev višine na obeh straneh, nato povlecite gnezdo navzdol, da se spusti, kot želite.

## V. POVEZAVA S POSTELJO ODRASLEGA

**OPOZORILO!** Pri uporabi funkcije posteljne postelje je treba stransko ograjo odstraniti in dobro vzdrževati.

**OPOZORILO!** Ko pritrđujete posteljo ob postelji, mora biti krajši rob ograje tesno nameščen z vzmetnico za odrasle, da se izognete vrzeli.

**OPOMBA!** Ko se uporablja kot posteljna postelja, mora biti dno nosilne posteljice vzporedno s tlemi. Med konci posteljice ne sme biti višinske razlike.

**OPOMBA!** Pred vsako uporabo se prepričajte, da med vzmetnico postelje odraslega in stranico otroške posteljice ni nobene vrzeli.

**OPOZORILO!** Ta izdelek se lahko uporablja samo s posteljami in/ali vzmetnicami z ravnimi robovi. Tega izdelka ne uporabljajte z zaobljenimi posteljami in/ali



vzmetnicami ali vodnimi posteljami.

**VRSTA POSTELJE ZA ODRASLE, S KATERO SE LAHKO ALI NI MOGOČE UPORABLJATI POSTELJNI PRAG**

**OPOZORILO!** Sistem pritrditve je treba VEDNO uporabljati v načinu za spanje ob postelji:

- 5.4. Poravnajte posteljico neposredno ob starševski postelji in napeljite pritrtilni sistem pod vzmetnico postelje in okrog posteljnega okvirja.
  - 5.5. Zavarujte pritrtilni sistem tako, da povežete zaponke sponk in jih pritrдите skupaj. Povlecite trak, da varno pritrдите pritrtilni sistem na posteljo.
  - 5.6. Vzmetnice, vzmeti in poravnani okvir; Sprejemljivi pogoji postelje za odrasle za način skupnega spanja (posteljni okvir v liniji).
  - 5.7. Nesprijemljivi pogoji postelje za odrasle za način skupnega spanja (posteljni okvir ni v liniji).
- Ni primeren za uporabo poleg vodnih ali otroških postelj.

- Postavite otroško posteljico proti postelji za odrasle.
- Posteljno posteljico in posteljo za odrasle povežite s trakom, trak mora biti nameščen med vzmetnico in okvirjem postelje za odrasle.

**OPOZORILO!** Pri uporabi funkcije posteljne postelje je treba stransko ograjo odstraniti in dobro vzdrževati.

**OPOZORILO!** Ko pritrjujete posteljo ob postelji, mora biti krajši rob ograje tesno nameščen v vzmetnico za odrasle, da se izognete vrzeli. Nočni prag se lahko uporablja samo za poravnano posteljo za odrasle. Medtem mora biti razdalja od najnižje spodnje strani poravnane postelje za odrasle (spustna stran) do tal večja od 20 cm.

- 5.2 Prepričajte se, da noga sega do stranske deske postelje.
- 5.3 Ni primerno za uporabo poleg vodnih postelj ali otroških postelj.

## FUNKCIJA POSTELJNEGA SPANCA

5.1-5.3 Če želite izdelke uporabljati kot posteljni spalni prostor, ga je treba predelati. Postopek:

1. Odpnite zadrgo na obeh koncih pregibne strani.
2. Potisnite ključavnice, da sprostite držalo ograje.
3. Spustite zložljivo stran nosilca.
4. Otroško posteljico postavite ob stran postelje za odrasle in nastavite višino posteljice tako, da bo zgornji del posteljnega vložka poravnani z zgornjim robom zložljive stranice ali ne več kot 2 cm nad njim.
5. Napeljite trakove za pritržitev otroške posteljice pod vzmetnico postelje in konce zataknite čez posteljni okvir odrasle osebe na nasprotni strani postelje. Konci morajo biti pokončni med posteljnimi okvirjem in vzmetnico.
6. Pritrdite trakove za pritržitev na posteljico z zaponkami.
7. Zategnite pritrtilne trakove in poskrbite, da bo posteljica tako stabilna in trdno pritrjena na posteljo odrasle osebe.

## VI. KAKO UPORABLJATI ZAVORO

- 6.1. Če želite zakleniti kolesa posteljice, pritisnite zavorne jezičke na vsakem od koles.
- 6.2. Za sprostitev koles dvignite zavorne jezičke.

## VII. ČIŠČENJE IN VZDRŽEVANJE

- Kovinske in plastične dele očistite z vlažno krpo in blagim detergentom.
- Za čiščenje uporabite milnico ali mehak detergent za čiščenje. Ročno operite vrečko z milnico. Ne likajte. Ne uporabljajte belila.
- Posteljice NE postavljajte v bližino grelnih naprav, ker lahko poškodujete plastiko in tkanine.
- NE uporabljajte posteljice, če kateri koli del manjka, je poškodovan ali zlomljen. Prosimo, kontaktirajte naše distributerje. NE zamenjajte delov.

Uporabljeni materiali: plastika, tekstil, kovina

Proizvedeno za Kika Group Ltd., Vasil Levski 121, Plovdiv, Bolgarija. Izdelano na Kitajskem.  
Skladen z EN 1130:2019+AC:2020; EN 16890:2017+A1:2021.

## FIGYELEM!

1. Ne használja ezt a terméket anélkül, hogy előbb elolvasta a használati utasítást.
2. Hagyja abba a termék használatát, amint a gyermek le tud ujni, letérdelni vagy felhúzni magát.
3. Ha további elemeket helyez a termékbe, fulladást okozhat.
4. Ne helyezze a terméket más termék közelébe, amely fulladás- vagy fulladásveszélyt jelenthet főtárgatás, pl. hurok, redőnyök/függönyzsinórok stb.

## FIGYELEM!

1. Ne használjon egynél több matracot a termékben.
2. A sín nem lehet magasabb, mint a felnőtt ágymatracé.
3. A gyermek megfojtásának elkerülése érdekében a felnőtt ágyhoz való rögzítőrendszert mindig távol kell tartani a kiságytól, illetve onnan.
4. Csak a kiságyhoz tartozó matracot használja, erre ne rakjon második matracot, fulladásveszély.
5. Ügyeljen arra, hogy a kiságy (kiságy és függesztett ágy) közelében nyílt tűz és más erős hőforrások, például elektromos bártűz stb.

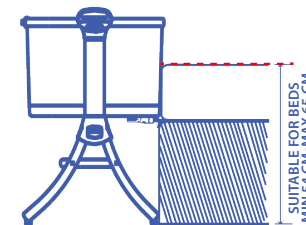
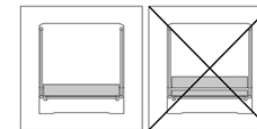
- A terméket vízszintes padlóra kell helyezni.
- Kisgyermekeket nem szabad felügyelet nélkül játszani a kiságy közelében.
- A kiságyat rögzített helyzetben kell rögzíteni, ha a gyermeket felügyelet nélkül hagyják.
- Az összes szerelvényt mindig megfelelően meg kell húzni, és ügyelni kell arra, hogy a csavarok ne lazuljanak meg, mert a gyermek beszoríthatja testrészeit vagy ruházatát (pl. zsinórokat, nyakláncokat, szalagokat bababábukhoz stb.), ami kockázatot jelenthet megfojtás. Hajtsa végre a rutinellenőrzéseket, hogy megbizonyosodjon arról, hogy nincsenek meglazultak, sérülések vagy hiányzó alkatrészek.
- Ne használjon más matracot a kiságyhoz, mint a termékhez mellékelés és a gyártó által jóváhagyott matrac.
- Ha a kiságyhoz eladott matracról eltérő matracot használ, kérjük, ellenőrizze, hogy az megfelelő vastagságú és illeszkedik a kiságyhoz. A választott matrac vastagságának olyannak kell lennie, hogy a belső függőleges magasság (a matrac tetejének felülete az ágy oldalainak felső széléig) legalább 200 mm legyen az ágyalap legmagasabb pozíciójában.
- Ha a kiságyhoz tartozótól eltérő matracot használ, akkor a matrac hosszának és szélességének olyannak kell lennie, hogy a matrac és az oldalak és végei közötti maximális hézag ne haladja meg a 30 mm-t.
- A kiságy megdöntése megengedett, legfeljebb 2 pozíció rész az egyik és a másik láb között.
- A gyermek fejét mindig a legmagasabb oldalon kell elhelyezni.
- NE használja a kiságyat, ha valamelyik alkatrész hiányzik, sérült vagy eltört. Kérjük, vegye fel a kapcsolatot forgalmazóinkkal. NEM helyettesítő alkatrészeket.
- A szülőágyon lévő matracnak mindig magasabbnak kell lennie, mint a kiságy oldala. Ha nem, akkor a beállító rendszerrel ellenőrizze, hogy a magasság mindkét oldalon megfelelő-e.
- A kiságyhoz rögzítési rendszer tartozik. Ne használjon más rögzítési rendszert.
- Az ágy melletti talpfákat soha nem szabad ferde helyzetben használni.
- A beszorulásból eredő fulladásveszély elkerülése érdekében az ágy melletti alvót megfelelően rögzíteni kell a felnőtt ágyhoz a rögzítési rendszer segítségével. Soha nem lehet rész az ágy melletti alvó alsó része és a felnőtt ágy matrac között. Minden használat előtt ellenőrizze a rögzítőrendszer tömítettségét úgy, hogy az ágy melletti alvót a felnőtt ágytól távolabbi irányba húzza.
- Ha rés van az ágy melletti alvó és a felnőtt ágy között, NE használja a terméket.
- A hézagokat nem szabad párnával, takaróval vagy más tárgyakkal kitölteni.

**VESZÉLY!** Mindig teljesen emelje fel a lehajtható oldalt, ha nincs a felnőtt ágyához rögzítve.

- Használati kor: 0-6 hónap, max. súlya 9 kg.
- A termék csak akkor használható, ha a reteszelő mechanizmusok be vannak kapcsolva.
- Használat előtt győződjön meg arról, hogy biztonságosan rögzítve vannak.
- Amikor gyermeke felügyelet nélkül tartózkodik a termékben a „Kiságy konfigurációban”, mindig ellenőrizze, hogy az oldala fel van-e emelve, és a cipzárak teljesen zárva vannak.
- Ne használja a kiságy testét annak kerete nélkül.
- A terméket CSAK felnőtt szerelje össze, bontsa ki és hajtsa össze!
- NE engedje, hogy 3 év alatti gyermekek teljesen összeszereljék a terméket, nehogy hozzáférjenek a kisméretű és szétszerelt alkatrészekhez!
- A fulladás elkerülése érdekében minden műanyag fedelet el kell távolítani, meg kell semmisíteni, vagy gyermekektől távol kell tartani.
- Győződjön meg arról, hogy a kiságy lábait teljesen meg vannak hosszabbítva, ha önálló kiságyként használja.
- Ne használja a kiságyat, ha az ágy magassága 54 cm-nél kisebb vagy 65 cm-nél magasabb a padló felett.
- A termék használata csak egyenes oldalú ágyakkal és/vagy matracal megengedett! A termék használata kerek ágyakkal és/vagy matracal vagy vízágyakkal vagy felfújható matracal, stb. NEM MEGENGEDET!
- Amikor a terméket „Együtt alvó üzemmódban” (ágyhoz rögzítve) használja, mindig az ágyhoz való hozzáférés hosszabb oldalára kell rögzíteni. NE rögzítse a terméket az ágy fejéhez vagy aljához!

## FONTOS GYERMEKE BIZTONSÁGA SZÁMÁRA!

- Az „Együtt alvás” funkció CSAK olyan típusú ágyakkal használható, amelyek megfelelnek a fent és ebben a bekezdésben leírt összes feltételnek! Különösen a kiságy oldaltámaszát kell mindig közel helyezni a szülő matracához, és a matracot mindig az oldaltámasz magasságához kell igazítani a kiságy visszatartása érdekében.



- Ezenkívül a kiságyat szilárdan rögzíteni kell a szülőágy szerkezetéhez vagy a matrac tartójához (háló vagy lécek).
- A termék „Együtt alvó funkcióban” történő használatakor a beszorulásból eredő fulladásveszély elkerülése érdekében az ágy melletti alvót megfelelően rögzíteni kell a felnőtt ágyhoz a rögzítőrendszer segítségével.
- Soha nem lehet rés az ágy melletti alvó alsó része és a felnőtt ágy matraca között.
- Minden használat előtt ellenőrizze a rögzítőrendszer tömítettségét úgy, hogy az ágy melletti alvót a felnőtt ágytól távolabbi irányba húzza.
- Ha rés van az ágy melletti alvó és a felnőtt ágy között, NE használja a terméket.
- Győződjön meg arról, hogy az egyúttalvós módban lévő kiságy nem akadályozza-e a szülő ágyát.
- A szülőágyon lévő matracnak mindig magasabbnak kell lennie, mint a kiságy oldala. Ha nem, akkor a beállító rendszerrel ellenőrizze, hogy a magasság mindkét oldalon megfelelő-e.
- Minden használat előtt mindig ellenőrizze, hogy nincs-e hely a szülőágyon lévő matrac és a kiságy fala között. Húzza meg és húzza meg a rögzítőrendszert, amíg a megengedett állapot vissza nem áll.
- Az oldalfal leengedésekor ellenőrizze, hogy a szülőmatrac helyzete nem változott-e!
- Amikor a kiságy oldalfala le van eresztve, csak akkor szabad használni, ha a szülői ágyhoz van rögzítve.
- Leeresztett falú kiságyat csak egyúttalvó üzemmódban használja.
- A gyermek megsérülhet, ha a hinta amplitúdója túl nagy.
- A felfüggesztett kiságyak kockázatot jelenthetnek más gyermekek számára.
- Más gyermekek további kockázatokat jelenthetnek (pl. a kiságy túlzott lengetése).
- Az egyenetlen felületek a termék instabilitását okozhatják.
- A felfüggesztett kiságyakat úgy helyezze el, hogy ne álljon fenn a kilengési ütés veszélye (pl. ne ütődjön a gyermek a kiságy keretéhez vagy a kiságy más bútorokhoz).

## I. ALKATRÉSEK

1. Matrac; 2. Rögzítő heveder; 3. Felső kapaszkodó; 4. Carcot; 5. Magasságállító kar; 6. Keretláb; 7. Univerzális kerék; 8. Csatlakozó elem; 9. Tartó műanyag kapocs; 10. Alaplap;

## II. AZ ÁGYALFAL ÖSSZESZERELÉSE

- 2.1. Illessze be a kereszttirányú tartócsövet a műanyag csatlakozásba, amíg kattánó hangot nem hall.
  - 2.2. Helyezze be a konzol csővét a műanyag csatlakozásba, amíg kattánó hangot nem hall.
  - 2.3. Dugja be a tartócsövet a csatlakozásba, amíg kattánó hangot nem hall, majd helyezze be a vasrudat a ládakészletbe.
  - 2.4. Helyezze be a vasrudat a szövetburkolatba.
  - 2.5. A szaggatott vonallal jelölt vasrudat el kell rejteni a burkolatban.
  - 2.6-2.10 Helyezze át a szalagot a négyzet alakú lyukon, és rögzítse szorosan a D-gyűrűbe.
  - 2.11. Helyezze el a matracot, majd tartsa vízszintesen, az ágy melletti alvó teljesen fel van szerelve.
- JEGYZET!** A kiságy minimum 54 cm magas és 65 cm magas ágyakhoz alkalmas.

## III. HOGYAN KELL SZÉTSZERELNI A LEEJTŐ OLDALT

- 3.1. Csavarja ki a cipzárt a védőkorlát mindkét oldalán.
- 3.2. Nyomja meg a gombot a gombon lévő nyílnak megfelelően, majd felfelé a felső színt.
- 3.3. Távolítsa el a védőkorlát végeit.
- 3.4. Szerelje le a védőkorlát csővét, és fektesse le.

**JEGYZET!** Mindig teljesen emelje fel a lehajtható oldalt, ha nincs a felnőtt ágyához rögzítve!

## IV. HOGYAN ÁLLÍTSUK BE A MAGASSÁGOT

### MAGASSÁG BEÁLLÍTÁSA

A kiságy magasságának megváltoztatásához nyomja meg a magasságállító karokat a kiságy mindkét végén, és állítsa a mózeskosárt a kívánt magasságba. Hét kiságy magassági beállítás áll rendelkezésre. A kiságy lehetővé teszi a különböző végek magasságának beállítását.

**FIGYELEM!** A kiságy mózeskosara megengedett legnagyobb dőlésszöge két beállítási szint eltérése. Mindig tartsa a baba fejét a kiságyban, a koci felső részén.

**FIGYELEM!** A magassági helyzet beállításakor ügyeljen arra, hogy a láda talpának vége (fejtől lábíg) dőlésszöge ne legyen nagyobb 10°-nál.Or, a bal és jobb oldali fogaskerekek közötti magasságkülönbségnek kisebbnek kell lennie 2°-nál.

- 4.1. Emelje fel a műanyag magasságállító fogantyút mindkét oldalon, majd feljebb kerül.
- 4.2. Emelje fel a műanyag magasságállító fogantyút mindkét oldalon, majd húzza le a fészket, az lejjebb kerül, ahogy kell.

## V. CSATLAKOZÁS FELNŐTT ÁGYHOZ

**FIGYELEM!** Az ágy melletti ágy funkció használatakor a lehajtható oldallécet el kell távolítani és jól tartani.

**FIGYELEM!** Az ágy melletti ágy rögzítésekor a rövid védőkorlát szélét szorosan hozzá kell illeszteni a felnőtt matrachoz, hogy elkerülje a réseket.

**JEGYZET!** Éjjeli alvóként való használat esetén a mózeskosár aljának párhuzamosnak kell lennie a talajjal. A kiságy végei között nem lehet magasságkülönbség.

**JEGYZET!** Minden használat előtt győződjön meg arról, hogy nincs rés a felnőtt ágymatraca és a kiságy oldala között.

**FIGYELEM!** Ez a termék csak egyenes szélű ágyakkal és/vagy matracokkal használható. Ne használja ezt a terméket lekerekített ágyakkal és/vagy matracokkal vagy vízágyakkal.

**AZOK A TÍPUSÚ FELNŐTT ÁGYAK, AMELYEKKEL AZ ÁGY MELLETTI ALVÓ HASZNÁLHATÓ VAGY NEM LEHET**

**FIGYELEM!** A rögzítőrendszert MINDIG ágy melletti alvó üzemmódban kell használni:

- 5.4. Igazítsa a kiságyat közvetlenül a szülői ágy mellé, és helyezze át a rögzítőrendszert az ágy matraca alá és az ágykeret köré.
  - 5.5. Rögzítse a rögzítőrendszert a rögzítőcsatok csatlakoztatásával és egymásba illesztésével. Húzza meg a hevedert, hogy a rögzítőrendszert biztonságosan rögzítse az ágyhoz.
  - 5.6. Matrac, dobozrugók és keret igazítva; Elfogadható felnőttek ágykörülményei az együtt alvó üzemmódhoz (ágyrács vonalas).
  - 5.7. Elfogadhatatlan felnőttkori ágykörülmények az együtt alvó üzemmódhoz (az ágykeret nincs beépítve).
- Nem alkalmas vízágyak vagy gyermekágyak mellé.

- Engedje az ágy melletti kiságyat a felnőtt ágya felé.
- Csatlakoztassa az ágy melletti kiságyat és a felnőtt ágyat hevederrel, a pántnak a matrac és a felnőtt ágy kerete között kell elhelyezkednie.

**FIGYELEM!** Az ágy melletti ágy funkció használatakor a lehajtható oldallécet el kell távolítani és jól tartani.

**FIGYELEM!** Az ágy melletti ágy rögzítésekor a rövid védőkorlát szélét szorosan hozzá kell illeszteni a felnőtt matrachoz, hogy elkerülje a réseket. Az ágy melletti alvó csak felnőtt ágyhoz használható. Eközben a felnőtt ágy legalacsonyabb alsó oldala (lehajtható oldala) és a talaj közötti távolságnak 20 cm-nél nagyobbnak kell lennie.

5.2 Győződjön meg arról, hogy a láb eléri az ágy oldaldeszkát.

5.3 Nem alkalmas vízágyak vagy gyermekágyak mellé.

## ÉJJELI ALVÓ FUNKCIÓ

5.1-5.3 Ahhoz, hogy a terméket éjjeli alvóként használhassa, át kell alakítani. Az eljárás:

1. Oldja ki a cipzárt a lehajtható oldal mindkét végén.
2. Csúsztassa el a zárat a korlátrögzítő kioldásához.
3. Engedje le a mózeskosár összecsukható oldalát.
4. Helyezze a kiságyat a felnőtt ágya mellé, és állítsa be a kiságy magasságát úgy, hogy az ágy matracának teteje egy szintben legyen az összecsukható oldal felső szélével – vagy legfeljebb 2 cm-rel magasabban.
5. Vezesse át a kiságy rögzítőpántjait az ágy matraca alá, és akassza a végét a felnőtt ágykeretére az ágy másik oldalán. A végeknek függőlegesen kell lenniük az ágykeret és a matrac között.
6. Rögzítse a rögzítőhevedereket a kiságyhoz a kapcsok segítségével.
7. Húzza meg a rögzítőhevedereket, és győződjön meg arról, hogy ez stabilan tartja a kiságyat és szilárdan rögzítve a felnőtt ágyához.

## VI. A FÉK HASZNÁLATA

- 6.1. A kiságy kerekeinek rögzítéséhez nyomja le a fékfüleket mindegyik keréken.
- 6.2. A kerekek kioldásához emelje fel a fékfüleket.

## VII. TISZTÍTÁS ÉS KARBANTARTÁS

- Tisztítsa meg a fém és műanyag részeket nedves ruhával és enyhe tisztítószerral.
- A tisztításhoz használjon szappanos vizet vagy puha tisztítószert. Kézzel mossa ki a zacskót szappanos vízzel. Nem vasalható. Ne használj fehérítőt.
- NE helyezze a kiságyat fűtőberendezések közelébe, mert károsítja a műanyagot és a szöveteket.
- NE használja a kiságyat, ha valamelyik alkatrész hiányzik, sérült vagy eltört. Kérjük, vegye fel a kapcsolatot forgalmazóinkkal. NEM helyettesítő alkatrészeket.

Felhasznált anyagok: műanyag, textil, fém

**A Kika Group Ltd., Vasil Levski 121, Plovdiv, Bulgária számára készült. Kínában készült.  
Megfelel az EN 1130:2019+AC:2020 szabványnak; EN 16890:2017+A1:2021.**





korralikult täiskasvanu voodi külge kinnitada.

- Voodikoha alumise külje ja täiskasvanute voodi madratsi vahel ei tohi kunagi olla tühimikku.
- Kontrollige kinnitussüsteemi tihedust enne iga kasutuskorda, tõmmates voodiäärset magamiskohta täiskasvanu voodist eemale.
- Kui voodi kõrval magaja ja täiskasvanu voodi vahel on tühimik, ÄRGE kasutage toodet.
- Veenduge, et ühismagamisrežiimis olev võrevoodi ei segaks vanema voodit.
- Vanema voodi madrats peaks alati olema võrevoodi küljest kõrgemal. Kui ei, siis kasutage reguleerimissüsteemi, et veenduda, et kõrgus on mõlemal küljel õige.
- Enne iga kasutuskorda kontrolli alati, et vanemavoodi madratsi ja võrevoodi seina vahele ei jääks ruumi. Tõmmake ja pingutage kinnitussüsteemi, kuni lubatud olek taastub.
- Kui külgein on langetatud, kontrollige, et vanemamadratsi asend ei oleks muutunud!
- Kui võrevoodi külgein on langetatud, tuleks seda kasutada ainult siis, kui see on kinnitatud vanema voodi külge.
- Kasutage võrevoodi langetatud seinaga ainult magamisrežiimis.
- Laps võib viga saada, kui kiige amplituud on liiga suur.
- Riputatud võrevoodid võivad ohustada teisi lapsi.
- Teised lapsed võivad kujutada endast täiendavaid riske (nt võrevoodi liigselt kõigutades).
- Ebatasased pinnad võivad põhjustada toote ebastabiilsust.
- Asetage rippuvad hällid nii, et ei tekiks löögi ohtu (nt ei oleks ohtu, et laps saaks vastu võrevoodi raami või võrevoodi vastu muud mööblit).

#### I. OSAD

1. Madrats; 2. Kinnitusrihm; 3. Ülemine käsipuu; 4. Vankrikorv; 5. Kõrguse reguleerimise hoob; 6. Raami jalg; 7. Universaalratas; 8. Ühenduselement; 9. Toetav plastikkamber; 10. Alusplaat;

#### II. VOODI KOHTA KOKKUVÕTE

- 2.1. Sisestage põiksuunaline tugitoru plastliidese, kuni kuulete klõpsatust.
- 2.2. Sisestage Bracketi toru plastliidese, kuni kuulete klõpsatust.
- 2.3. Sisestage tugitoru liigendisse, kuni kuulete klõpsatust, seejärel sisestage raudvarras vannikomplekti.
- 2.4. Sisestage raudvarras riidest kattesse.
- 2.5. Punktirjoonega märgitud raudvarras peaks olema kaane sisse peidetud.
- 2.6-2.10 Pange lint läbi ruudukujulise augu ja kinnitage tihedalt D-rõngasse.

2.11. Asetage madrats ja hoidke seda tasapinnaliselt, voodiäärne magamisase on täielikult paigaldatud.

**MÄRGE!** **Beebivoodi sobib vooditele, mille minimaalne kõrgus on 54 cm ja maksimaalne kõrgus 65 cm.**

#### III. KUIDAS KUKKUMISKÜLG LAHTI VÕTTA

- 3.1. Avage tõmblukk kaitsepiirde mõlemalt küljelt.
- 3.2. Vajutage nappu, nagu on näidatud nupul oleva noolega, seejärel ülespoole ülemist siini.
- 3.3. Eemaldage kaitsepiirde otsad.
- 3.4. Võtke kaitsepiirde toru maha ja asetage see tasaseks.

**MÄRGE!** **Tõstke allalastav pool alati täielikult üles, kui see pole täiskasvanu voodi külge kinnitatud!**

#### IV. KUIDAS KÕRGUST REGULEERIDA

##### KÕRGUSE SEADISTUS

Hälli kõrguse muutmiseks vajutage hälli mõlemas otsas olevaid kõrguse reguleerimise hoobasid ja seadke kandekorv soovitud kõrgusele. Saadaval on seitse võrevoodi kõrguse seadet. Võrevoodi võimaldab määrata iga selle otsa erineva kõrguse.

**HOIATUS!** Turvahälli kandekorvi maksimaalne lubatud kalle on kahe seadistustaseme erinevus. Hoidke lapse pead alati turvahällis, mis asub kandekorvi kõrgemas otsas.

**HOIATUS!** Kõrguse asendi reguleerimisel veenduge, et vanni aluse kaldenurk (pea jalad) ei oleks suurem kui 10°.Or, vasak- ja parempoolse käigu kõrguste vahe peab olema väiksem kui 2°.

4.1. Tõstke plastikust kõrguse reguleerimise käepide mõlemalt poolt üles, siis tuleb see kõrgemale.

4.2. Tõstke plastikust kõrguse reguleerimise käepide mõlemalt poolt üles, seejärel tõmmake pesa alla, see langeb vastavalt vajadusele.

#### V. ÜHENDAMINE TÄISKASVANU VOODIGA

**HOIATUS!** Voodivoodi funktsiooni kasutamisel tuleb allakukkuv külgspiirkond eemaldada ja hästi hoida.

**HOIATUS!** Voodikoha kinnitamisel peab lühike kaitsepiirde serv olema tihedalt sobitatud täiskasvanute madratsiga, et vältida tühikute tekkimist.

**MÄRGE!** Voodikohana kasutatuna peab kandekorvi põhi olema maapinnaga paralleelne. Hälli otste vahel ei tohi olla kõrguste erinevust.

**MÄRGE!** Enne iga kasutuskorda veenduge, et täiskasvanu voodimadratsi ja võrevoodi külje vahele ei jääks vahet.

**HOIATUS!** Seda toodet saab kasutada ainult sirgete servadega voodite ja/või madratsitega. Ärge kasutage seda toodet ümarate voodite ja/või madratsitega või

vesivooditega.

#### TÜÜPI TÄISKASVANUTE VOODID, MILLEGA VÕI SAAB VÕI EI SAA KASUTADA VOODIÄÄRSET MAGAMISKOHTA

**HOIATUS!** Kinnitussüsteemi tuleb ALATI kasutada voodirežiimis:

5.4. Joondage võrevoodi otse vanemate voodi kõrvale ja asetage kinnitussüsteem voodi madratsi alla ja ümber voodiraami.

5.5. Kinnitage kinnitussüsteem, ühendades ja asetades klambri pandlad kokku. Tõmmake rihma, et kinnitada kinnitussüsteem kindlalt voodi külge.

5.6. Madrats, vedrud ja raam joondatud; Täiskasvanutele vastuvõetavad vooditingimused ühismagamiseks (voodiraam).

5.7. Täiskasvanutele sobimatud vooditingimused ühismagamisrežiimi jaoks (voodiraam ei ole reas).

Ei sobi kasutamiseks vesi- ega lastevoodite kõrval.

- Laske voodiäärsel võrevoodil täiskasvanu voodi poole.
- Ühendage voodiäärne võrevoodi ja täiskasvanu voodi rihmaga, rihm peab asetsema täiskasvanu voodi madratsi ja raami vahel.

**HOIATUS!** Voodivoodi funktsiooni kasutamisel tuleb allakukkuv külgspiirkond eemaldada ja hästi hoida.

**HOIATUS!** Voodikoha kinnitamisel peab lühike kaitsepiirde serv olema tihedalt sobitatud täiskasvanute madratsiga, et vältida tühikute tekkimist. Voodiäärset magamiskohta saab kasutada ainult täiskasvanute voodis. Samal ajal peaks kaugus joondatud täiskasvanute voodi alumisest alumisest servast maapinnani olema üle 20 cm.

5.2 Veenduge, et jalg ulatuks voodi küljelauani.

5.3 Ei sobi kasutamiseks vesi- ega lastevoodite kõrval.

#### VOODI KÕRVAL MAGAMISE FUNKTSIOON

5.1-5.3 Toote kasutamiseks öökapina tuleb see ümber ehitada. Protseduur:

1. Avage lahtikäiva külje mõlemas otsas olevad tõmblukud.
2. Libistage lukud, et vabastada piirdehoidja.
3. Langetage kandekorvi kokkupandav pool.
4. Asetage võrevoodi täiskasvanu voodi kõrvale ja seadke võrevoodi kõrgus nii, et voodimadratsi ülaosa oleks kokkuklapitava külje ülemise servaga samal tasemel või mitte rohkem kui 2 cm kõrgemal.
5. Viige võrevoodi kinnitusrihmad voodi madratsi alla ja kinnitage otsad täiskasvanu voodiraami külge voodi vastasküljel. Otsad peavad olema voodiraami ja madratsi vahel püsti.
6. Kinnitage kinnitusrihmad klambrite abil võrevoodi külge.
7. Pingutage kinnitusrihmad ja veenduge, et see hoiab võrevoodi stabiilsena ja tugevalt täiskasvanu voodi külge kinnitatud.

#### VI. KUIDAS PIDURIT KASUTADA

6.1. Hälli rataste lukustamiseks vajutage alla mõlema ratta piduriklapid.

6.2. Rataste vabastamiseks tõstke piduriklapid üles.

#### VII. PUHASTAMINE JA HOOLDUS

- Puhastage metall- ja plastosad niiske lapi ja pehme pesuvahendiga.
- Puhastamiseks kasutage seebivett või pehmet puhastusvahendit. Peske kotti käsitsi seebiveega. Mitte triikida. Mitte valgendada.
- ÄRGE asetage võrevoodi kütteseadmete lähedusse, kuna see kahjustab plastikut ja kangast.
- ÄRGE kasutage võrevoodi, kui mõni osa on puudu, kahjustatud või katki. Palun võtke ühendust meie edasimüüjatega. ÄRGE asendage osi.

Kasutatud materjalid: plastik, tekstiil, metall

**Toodetud ettevõttele Kika Group Ltd., Vasil Levski 121, Plovdiv, Bulgaaria. Toodetud Hiinas. Vastab standardile EN 1130:2019+AC:2020; EN 16890:2017+A1:2021.**

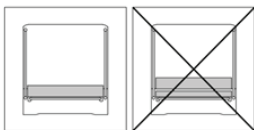
## ĮSPĖJIMAS!

1. Nenaudokite šio gaminio prieš tai neperskaitę naudojimo instrukcijos.
2. Nustokite naudoti gaminį, kai tik vaikas gali atsikelti, atsiklaupiti ar atsikelti.
3. Į gaminį įdėjus papildomų daiktų gali uždusti.
4. Nestatykite gaminio arti kito gaminio, nes gali kilti pavojus uždusti arba smauginimas, pvz. stygos, žaliuzių / užuolaidų virvelės ir kt.



## ĮSPĖJIMAS!

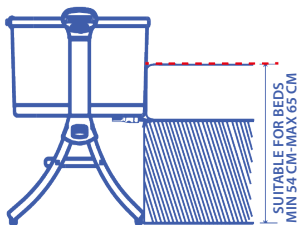
1. Gaminyje nenaudokite daugiau nei vieno čiužinio.
2. Bėgis neturi būti aukštesnis už suaugusiųjų lovos čiužinį.
3. Siekiant išvengti pavojaus, kad jūsų vaikas bus pasmaugtas, tvirtinimo prie suaugusiojo lovos sistema visada turi būti atokiai nuo lovelės ir iš jos.
4. Naudokite tik kartu su šia lovele parduodamą čiužinį, ant šio nedėkite antro čiužinio, uždusimo pavojus.
5. Žinokite apie atviros ugnies ir kitų stipraus karščio šaltinių, pvz., elektrinio strypo gaisro ir pan., pavojų šalia lovelės (lovytės ir pakabinamos lovos).



- Produktas turi būti dedamas ant horizontalių grindų.
- Mažiems vaikams negalima leisti žaisti be priežiūros šalia lovelės.
- Kai vaikas paliekamas be priežiūros, lovelė turi būti užfiksuota fiksuotoje padėtyje.
- Visos surinkimo detalės visada turi būti tinkamai priveržtos ir reikia pasirūpinti, kad nebūtų atsilaisvintų varžtų, nes vaikas gali įstrigti kūno ar drabužių dalis (pvz., virvelės, karoliukai, kaspinus kūdikių manekenams ir kt.), dėl kurių gali kilti pavojus smauginimas. Atlikite įprastinius patikrinimus, kad įsitikintumėte, jog nėra atsilaisvintų, pažeistų ar trūkstamų dalių.
- Lovytei nenaudokite kitokio čiužinio nei šis, pateiktas kartu su gaminiu ir patvirtintas gamintojo.
- Jei naudojate kitą čiužinį, nei parduodamas kartu su lovele, įsitikinkite, kad jis yra tinkamo storio ir tinka su lovele. Pasirinktas čiužinio storis turi būti toks, kad vidinis vertikalus aukštis (čiužinio viršaus paviršius iki viršutinio lovos šonų krašto) būtų ne mažesnis kaip 200 mm aukščiausioje lovos pagrindo padėtyje.
- Jei naudojate kitą čiužinį, nei parduodama kartu su lova, ilgis ir plotis turi būti tokie, kad didžiausias tarpas tarp čiužinio ir šonų bei galų neviršytų 30 mm.
- Leidžiamas lovytės pakreipimas, kai tarp vienos ir kitos kojos ne daugiau kaip 2 padėtyse.
- Vaiko galva visada turi būti viršuje.
- NENAUDOKITE lovelės, jei trūksta kokių nors dalių, jos sugadintos ar sulūžusios. Prašome susisiekti su mūsų platintojais. NĖRA pakaitinių dalių.
- Čiužinys ant tėvų lovos visada turi būti aukščiau nei lovytės šonas. Jei ne, naudokite reguliavimo sistemą, kad įsitikintumėte, jog aukštis yra tinkamas abiejose pusėse.
- Pritvirtinimo sistema pateikiama kartu su lovele. Nenaudokite kitos tvirtinimo sistemos.
- Pabėgiai prie lovos niekada negali būti naudojami pasvirusioje padėtyje.
- Kad būtų išvengta užspringimo pavojus uždusti, miegamasis prie lovos turi būti tinkamai pritvirtintas prie suaugusiojo lovos, naudojant tvirtinimo sistemą. Niekada neturi būti tarpo tarp apatinės lovos dalies ir suaugusiojo lovos čiužinio. Prieš kiekvieną naudojimą patikrinkite tvirtinimo sistemos sandarumą, traukdami prie lovos gultą kryptimi nuo suaugusiųjų lovos.
- Jei tarp miegamojo ir suaugusiojo lovos yra tarpas, NENAUDOKITE produkto.
- Tarpų negalima užpildyti pagalvėmis, antklodėmis ar kitais daiktais.

## PAVOJUS! Visada visiškai pakelkite nuleidžiamą pusę, kai nesate pritvirtintas prie suaugusiojo lovos.

- Naudojimo amžius: 0–6 mėn., maks. svoris 9kg.
- Gaminys paruoštas naudoti tik tada, kai yra įjungti fiksavimo mechanizmai.
- Prieš naudodami įsitikinkite, kad jie yra tvirtai pritvirtinti.
- Kai jūsų vaikas yra be priežiūros gaminyje „Lovytės konfigūracija“, visada įsitikinkite, kad šonas yra pakeltas ir užtrauktukai visiškai uždaryti.
- Nenaudokite lovelės korpuso be rėmo.
- Gaminį surinkti, išskleisti ir sulankstyti TIK suaugęs asmuo!
- NEleiskite vaikams iki 3 metų iki galo surinkti gaminį, kad nepasiektų mažų ir išardytų dalių!
- Bet kokį plastikinį dangtelį reikia nuimti, sunaikinti arba laikyti vaikams nepasiekiamoje vietoje, kad neuždustų.
- Įsitikinkite, kad lovelės pėdos yra visiškai pailgintos, kai naudojate kaip atskirą lovelę.
- Nenaudokite lovelės, jei jūsų lovos aukštis yra mažesnis nei 54 cm arba didesnis nei 65 cm virš grindų.
- Gaminį leidžiama naudoti tik su lovomis ir (arba) čiužiniais su tiesiais šonais! Naudoti gaminį su apvaliomis lovomis ir (arba) čiužiniu arba vandens lovomis, pripučiamu čiužiniu ir pan. DRAUDŽIAMA!
- Kai gaminys naudojamas „Com-Sleeping“ režimu (tvirtinamas prie lovos), jis visada turi būti pritvirtintas prie ilgosios priegios prie lovos pusės. NEGALIMA pritvirtinti gaminio prie lovos galvos ar apačios!



## SVARBU JŪSŲ VAIKO SAUGUMUI!

- Funkcija „Miegojimas kartu“ taikoma TIK tokio tipo lovoms, kurios atitinka visas aukščiau ir šioje pastraipoje aprašytas sąlygas! Visų pirma, lovytės šoninė atrama visada turi būti prigludusi prie tėvų čiužinio, o čiužinys visada turi būti suderintas su šoninės atramos aukščiu, kad lovytė būtų suvaržyta.
- Be to, lovelė turi būti tvirtai pritvirtinta prie tėvų lovos konstrukcijos arba prie čiužinio atramos (tinklo ar lentjuosčių).
- Naudojant gaminį „Co-sleeping“ funkcija, siekiant išvengti užspringimo pavojus, miegamasis prie lovos turi būti tinkamai pritvirtintas prie suaugusiojo lovos, naudojant tvirtinimo sistemą.

- Niekada neturi būti tarpo tarp apatinės lovos miegamosios dalies ir suaugusiojo lovos čiužinio.
- Prieš kiekvieną naudojimą patikrinkite tvirtinimo sistemos sandarumą, traukdami prie lovos gultą kryptimi nuo suaugusiųjų lovos.
- Jei tarp miegamojo ir suaugusiojo lovos yra tarpas, NENAUDOKITE produkto.
- Įsitikinkite, kad lovytė, veikianti bendro miego režimu, netrukdo tėvų lovai.
- Čiužinys ant tėvų lovos visada turi būti aukščiau nei lovytės šonas. Jei ne, naudokite reguliavimo sistemą, kad įsitikintumėte, jog aukštis yra tinkamas abiejose pusėse.
- Prieš kiekvieną naudojimą visada patikrinkite, ar tarp čiužinio ant tėvų lovos ir lovelės sienos nėra tarpo. Traukite ir priveržkite tvirtinimo sistemą, kol bus atkurta leistina būseną.
- Kai nuleidžiama šoninė sienelė, patikrinkite, ar nepasikeitė tėvų čiužinio padėtis!
- Kai lovytės šoninė sienelė nuleista, ją reikia naudoti tik tada, kai ji pritvirtinta prie tėvų lovos.
- Lovytę su nuleista sienele naudokite tik bendro miego režimu.
- Jei sūpynių amplitudė yra per didelė, vaikas gali susižaloti.
- Pakabinamos lovelės gali kelti pavojų kitiems vaikams.
- Kiti vaikai gali kelti papildomą pavojų (pvz., per daug siūbuodami lovelę).
- Nelygūs paviršiai gali sukelti gaminio nestabilumą.
- Pakabinamas lovelės pastatykite taip, kad nekiltų pavojus siūbuoti (pvz., nekiltų pavojus, kad vaikas atsitreks į lovelės rėmą arba lovytė atsitreks į kitus baldus).

## I. DALYS

1. Čiužinys; 2. Tvirtinimo dirželis; 3. Viršutinis turėklas; 4. Nešioklė; 5. Aukščio reguliavimo svirtis; 6. Rėmo kojelė; 7. Universalus ratas; 8. Jungiamasis elementas; 9. Atraminis plastikinis segtukas; 10. Pagrindo plokštė;

## II. MIEGOGĖS PRIE LOTO SURINKIMAS

- 2.1. Įkiškite skersinį atraminį vamzdelį į plastikinę jungtį, kol išgirsite spragtelėjimą.
  - 2.2. Įkiškite Bracket vamzdelį į plastikinę jungtį, kol išgirsite spragtelėjimą.
  - 2.3. Įkiškite atraminį vamzdelį į jungtį, kol išgirsite spragtelėjimą, tada įkiškite geležinį strypą į dėklo komplektą.
  - 2.4. Įkiškite geležinį strypą į audinio dangtelį.
  - 2.5. Geležinis strypas, pažymėtas punktyrine linija, turi būti paslėptas dangtelyje.
  - 2.6-2.10 Įkiškite juosteles per kvadratinę angą ir tvirtai pritvirtinkite prie D formos žiedo.
  - 2.11. Padėkite čiužinį ir laikykite jį plokščią, lovos miegamasis yra visiškai sumontuotas.
- PASTABA!** Vaikiška lovelė tinka lovoms, kurių minimalus aukštis 54 cm ir maksimalus aukštis 65 cm.

## III. KAIP IŠARDYTI NULEIDŽIAMĄ PUSĘ

- 3.1. Atsukite užtrauktuką iš abiejų apsauginių turėklų pusių.
  - 3.2. Paspauskite mygtuką, kaip nurodyta ant mygtuko esančios rodyklės, tada aukštyn viršutiniu bėgeliu.
  - 3.3. Nuimkite apsauginio turėklo galus.
  - 3.4. Nuimkite apsauginių turėklų vamzdelį ir padėkite jį lygiai.
- PASTABA! Visada visiškai pakelkite nuleidžiamą pusę, kai nesate pritvirtintas prie suaugusiojo lovos!**

## IV. KAIP REGULIUOTI AUKŠTĮ

### AUKŠČIO NUSTATYMAS

Norėdami pakeisti lovytės aukštį, paspauskite aukščio reguliavimo svirtis abiejose lovytės galuose ir nustatykite lopsį į norimą aukštį. Galimi septyni lovelės aukščio nustatymai. Lovytė leidžia nustatyti skirtingą kiekvieno jos galo aukštį.

### ĮSPĖJIMAS!

Didžiausias leistinas lopsio lopsio pakreipimas yra dviejų nustatymo lygių skirtumas. Visada laikykite kūdikio galvą lovytėje, esančioje viršutiniame lopsio gale.

### ĮSPĖJIMAS!

Reguliuodami aukščio padėtį įsitikinkite, kad lovos pagrindo nuolydžio kampas nuo galo iki galo (galva iki pėdų) neturi būti didesnis nei 10°. Or, kairiojo ir dešiniojo pavarų aukščio skirtumas turi būti mažesnis nei 2°.

- 4.1. Pakelkite plastikinę aukščio reguliavimo rankenėlę iš abiejų pusių, tada ji pakils aukščiau.
- 4.2. Pakelkite plastikinę aukščio reguliavimo rankenėlę iš abiejų pusių, tada nutraukite lizdą žemyn, jis nusileidžia tiek, kiek reikia.

## V. JUNGIMAS SU SUAUGUSIOJO LOVA

**ĮSPĖJIMAS!** Naudojant lovos funkciją, nuleidžiamas šoninis bėgelis turi būti nuimtas ir gerai laikomas.

### ĮSPĖJIMAS!

Tvirtindami lovą prie lovos, trumpas apsauginis turėklų kraštas turi būti glaudžiai prigludęs prie suaugusiųjų čiužinio, kad nebūtų tarpo.

### PASTABA!

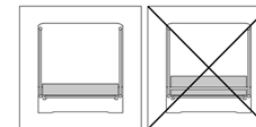
Kai naudojamas kaip miegamasis prie lovos, lopsio dugnas turi būti lygiagretus žemei. Neturi būti jokio aukščio skirtumo tarp lovelės galų.

### PASTABA!

Prieš kiekvieną naudojimą įsitikinkite, kad tarp suaugusiojo lovos čiužinio ir lovelės šono nėra tarpo.

### ĮSPĖJIMAS!

Šį gaminį galima naudoti tik su tiesiomis lovomis ir (arba) čiužiniais. Nenaudokite šio gaminio su apvaliomis lovomis ir (arba) čiužiniais arba su vandens lovomis.



**TOKIO TIPO LOVOS SUAUGUSIEMS, SU KURIOMIS GALIMA AR NEGALIMA NAUDOTI PRIE LOVOS MIEGAMĄJ!**

**ĮSPĖJIMAS!** Tvirtinimo sistema VISADA turi būti naudojama miegojimo prie lovos režimu:

- 5.4. Išlygiuokite levelę tiesiai prie tėvų lovos, o tvirtinimo sistemą perkelkite po lovos čiužiniu ir aplink lovos rėmą.
  - 5.5. Pritvirtinkite tvirtinimo sistemą sujungdami ir kartu sujungdami spaustukų sagtis. Patraukite dirželį, kad tvirtinimo sistema būtų tvirtai pritvirtinta prie lovos.
  - 5.6. Čiužinys, dėžutės spyruoklės ir rėmas suderinti; Priimtinos suaugusiųjų lovos sąlygos bendro miego režimui (lovos rėmas įtaisytas).
  - 5.7. Nepriimtinos suaugusiųjų lovos sąlygos bendro miego režimui (lovos rėmas nėra įtaisytas).
- Netinka naudoti šalia vandens lovą ar vaikišką lovą.

- Leiskite levelę prie lovos link suaugusiojo lovos.
- Prie lovos levelę ir suaugusiojo lovą sujunkite dirželiu, dirželis turi būti tarp čiužinio ir suaugusiojo lovos rėmo.

**ĮSPĖJIMAS!** Naudojant lovos funkciją, nuleidžiamas šoninis bėgelis turi būti nuimtas ir gerai laikomas.

**ĮSPĖJIMAS!** Tvirtindami lovą prie lovos, trumpas apsauginis turėklis kraštas turi būti glaudžiai priguldęs prie suaugusiųjų čiužinio, kad nebūtų tarpo. Miegamasis prie lovos gali būti naudojamas tik išlygintai suaugusiųjų lovai. Tuo tarpu atstumas nuo žemiausios apatinės suaugusiųjų lovos pusės (nuleidžiamos pusės) iki žemės turi būti didesnis nei 20 cm.

- 5.2 Įsitikinkite, kad koja siekia lovos šoninę lentą.
- 5.3 Netinka naudoti šalia vandens lovą ar vaikų lovą.

#### MIEGAMOJO PRIE LOVOS FUNKCIJA

5.1-5.3 Norint naudoti gaminį kaip miegamąjį prie lovos, jį reikia pakeisti. Procedūra:

1. Atsukite užtrauktukus abiejuose sulankstomos pusės galuose.
2. Pastumkite užraktus, kad atlaisvintumėte turėklį laikiklį.
3. Nuleiskite atlenkiamą loppio pusę.
4. Padėkite levelę prie suaugusiojo lovos šono ir nustatykite lovos aukštį taip, kad lovos čiužinio viršus būtų lygiai arba ne daugiau kaip 2 cm aukščiau viršutinio sulankstomo krašto krašto.
5. Perkiškite levelės tvirtinimo dirželius po lovos čiužiniu, o galus užkabinkite ant suaugusiojo lovos rėmo priešingoje lovos pusėje. Galai turi būti vertikaliai tarp lovos rėmo ir čiužinio.
6. Užsegimais pritvirtinkite tvirtinimo dirželius prie levelės.
7. Priveržkite tvirtinimo diržus ir įsitikinkite, kad levelė išliks stabiliai ir tvirtai pritvirtintas prie suaugusiojo lovos.

#### VI. KAIP NAUDOTI STABDŽĮ

- 6.1. Norėdami užrakinti levelės ratus, nuspauskite kiekvieno rato stabdžių įselius.
- 6.2. Norėdami atleisti ratus, pakelkite stabdžių įselius.

#### VII. VALYMAS IR PRIEŽIŪRA

- Metalines ir plastikines dalis valykite drėgna šluoste ir švelniu valikliu.
- Valymui naudokite muiluotą vandenį arba minkštą valymo priemonę. Rankomis nuplaukite maišelį muiluotu vandeniu. Nelyginkite. Nebalinti.
- NENAUDOKITE levelės šalia šildymo prietaisų, nes tai sugadins plastiką ir audinius.
- NENAUDOKITE levelės, jei trūksta kokių nors dalių, jos sugadintos ar sulūžusios. Prašome susisiekti su mūsų platintojais. NĖRA pakaitinių dalių.

Naudotos medžiagos: plastikas, tekstilė, metalas

**Pagaminta Kika Group Ltd., Vasil Levski 121, Plovdiv, Bulgarija. Pagaminta Kinijoje.**  
**Atitinka EN 1130:2019+AC:2020; EN 16890:2017+A1:2021.**

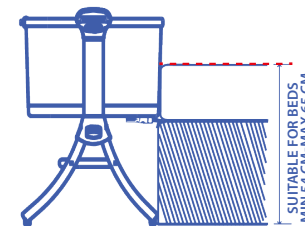
#### BRĪDINĀJUMS!

1. Nelietojiet šo produktu, vispirms neizlasot lietošanas instrukciju.
2. Pārtrauciet lietot produktu, tiklīdz bērns var sēdēt, nometies ceļos vai piecelties.
3. Papildu priekšmetu ievietošana izstrādājumā var izraisīt nosmakšanu.
4. Nenovietojiet produktu tuvu citam izstrādājumam, kas var radīt nosmakšanas draudus vai žņaugšana, piem. auklas, žālūziju/aizkaru auklas utt.

#### BRĪDINĀJUMS!

1. Neizmantojiet izstrādājumā vairāk par vienu matraci.
2. Sliede nedrīkst būt augstāka par pieaugušo gultas matraci.
3. Lai izvairītos no bērna nožņaugšanas riska, piestiprināšanas sistēmai pieaugušā gultai vienmēr jābūt prom no gultiņas un ārpus tās.
4. Izmantojiet tikai kopā ar šo gultiņu nopērkamo matraci, nepievienojiet šim otru matraci, nosmakšanas risks.
5. Esiet informēts par atklātas uguns un citu stipra karstuma avotu, piemēram, elektrisko stieņu ugunsgrēku u.c. risku gultiņas (gultiņas un piekaramās gultas) tuvumā.

- Produkts jānovieto uz horizontālas grīdas.
- Mazus bērnus nedrīkst ļaut bez uzraudzības spēlēties bērnu gultiņas tuvumā.
- Bērnu gultiņai jābūt nofiksētai fiksētā stāvoklī, kad bērns tiek atstāts bez uzraudzības.
- Visiem montāžas piederumiem vienmēr jābūt pareizi pievilktiem un jāraugās, lai skrūves nebūtu vaļīgas, jo bērns var iespiest ķermeņa vai apģērba daļas (piem., auklas, kaklarotas, lentes zīdaņu manekeni utt.), kas varētu radīt risku žņaugšana. Veiciet regulāras pārbaudes, lai pārliecinātos, ka nav vaļiņu, bojājumu vai trūkstošu daļu.
- Neizmantojiet gultiņai atšķirīgu matraci, izņemot to, kas piegādāts kopā ar produktu un apstiprināts ražotājam.
- Ja izmantojat citu matraci, kas nav pārdots kopā ar gultiņu, lūdzu, pārliecinieties, ka tas ir atbilstoša biezuma un ir piemērots gultiņai. Izvēlētā matrača biezumam jābūt tādām, lai iekšējais vertikālais augstums (matrača augšdaļa virsma līdz gultas malu augšējai malai) būtu vismaz 200 mm gultas pamatnes augstākajā pozīcijā.
- Ja izmantojat citu matraci, nevis kopā ar gultiņu, tad garumam un platumam jābūt tādām, lai maksimālā atstarpe starp matraci un sāniem un galiem nepārsniegtu 30 mm.
- Gultiņas slīpums ir atļauts ar ne vairāk kā 2 pozīciju atstarpi starp vienu un otru pēdu.
- Bērna galvai vienmēr jābūt novietotai augstākajā pusē.
- NELIETOJĒT bērnu gultiņu, ja trūkst kādas daļas, tās ir bojātas vai salauztas. Lūdzu, sazinieties ar mūsu izplatītājiem. NAV aizstājējdaļas.
- Matracim uz vecāku gultas vienmēr jābūt augstākam par gultiņas sāniem. Ja nē, izmantojiet regulēšanas sistēmu, lai pārliecinātos, ka augstums ir pareizs abās pusēs.
- Piestiprināšanas sistēma ir nodrošināta ar gultiņu. Neizmantojiet citas stiprinājuma sistēmas.
- Gulšņus pie gultas nekad nedrīkst izmantot slīpā stāvoklī.
- Lai novērstu nosmakšanas risku no iesprūšanas, gultas guļamvieta ir pareizi jānostiprina pie pieaugušo gultas, izmantojot stiprinājuma sistēmu. Nekad nedrīkst būt atstarpe starp gultas gultnes apakšējo malu un pieaugušo gultas matraci. Pirms katras lietošanas reizes pārbaudiet stiprinājuma sistēmas hermētiskumu, velkot gultas gultni virzienā, kas ir prom no pieaugušo gultas.
- Ja starp gultas guļamvietu un pieaugušo gultu ir atstarpe, NELIETOJĒT produktu.
- Atstarpes nedrīkst aizpildīt ar spilveniem, segām vai citiem priekšmetiem.



#### BĪSTAMI! Vienmēr pilnībā paceliet nolaižamo pusi, kad tas nav piestiprināts pie pieaugušā gultas.

- Lietošanas vecums: 0-6 mēneši, maks. svars 9kg.
- Izstrādājums ir gatavs lietošanai tikai tad, kad ir ieslēgti bloķēšanas mehānismi.
- Pirms lietošanas pārliecinieties, vai tie ir droši nostiprināti.
- Kad jūsu bērns atrodas bez uzraudzības izstrādājumā "Crib configuration", vienmēr pārliecinieties, ka sāni ir pacelti un rāvējslēdzēji ir pilnībā aizvērti.
- Neizmantojiet gultiņas korpusu bez tā rāmja.
- Produktu salikt, izlocīt un salocīt TIKAI pieaugušais!
- NEĻAUTIET bērniem, kas jaunāki par 3 gadiem, līdz pilnīgi izstrādājuma salikšanai, lai izvairītos no piekļuves mazām un izjauktām daļām!
- Jebkurš plastmasas pārsegs ir jānoņem, jāiznīcina vai jāglabā bērniem nepieejamā vietā, lai izvairītos no nosmakšanas.
- Pārliecinieties, vai gultiņas pēdas ir pilnībā pagarinātas, ja to izmantojat kā atsevišķu gultiņu.
- Neizmantojiet gultiņu, ja jūsu gultas augstums ir mazāks par 54 cm vai augstāks par 65 cm virs grīdas.
- Produkta lietošana ir atļauta tikai ar gultām un/vai matraci ar taisnām malām! Produkta lietošana ar apaļām gultām un/vai matraci vai ūdensgultām vai piepūšamiem matračiem u.tml. NAV ATĻAUTA!
- Kad izstrādājums tiek izmantots "Kopgulešanas režīmā" (piestiprināšana pie gultas), tas vienmēr ir jāpiestiprina garajā pusē, lai piekļūtu gultai. Nepiestipriniet izstrādājumu pie gultas galvas vai apakšas!

#### SVARĪGI JŪSU BĒRNA DROŠĪBAI!

- Funkcija "Līdzgulešana" ir piemērojama TIKAI ar tāda veida gultām, kas atbilst visiem iepriekš un šajā punktā aprakstītajiem nosacījumiem! Jo īpaši gultiņas sānu balstam vienmēr jābūt novietotam tuvu vecāku matracim, un matracim vienmēr jābūt saskaņotam ar sānu atbalsta augstumu, lai gultiņa būtu ierobežota.



# SVARĪGS! SAGLABĀT TURPMĀKAI ATSAUCEI! IZLASIET UZMANĪGI!

- Turklāt gultiņai jābūt stingri piestiprinātai pie vecāku gultas konstrukcijas vai matrača balsta (tikla vai listēm).
- Lietojot izstrādājumu “Co-sleeping funkcija”, lai novērstu nosmakšanas risku no iesprūšanas, gultas guļamvieta ir pareizi jānostiprina pie pieaugušo gultas, izmantojot stiprinājuma sistēmu.
- Nekad nedrīkst būt sprauga starp gultas guļamvietas apakšējo malu un pieaugušo gultas matraci.
- Pirms katras lietošanas reizes pārbaudiet stiprinājuma sistēmas hermētiskumu, velkot gultas gultni virzienā, kas ir prom no pieaugušo gultas.
- Ja starp gultas guļamvietu un pieaugušo gultu ir atstarpe, NELIETOJIET produktu.
- Pārbaudiet, vai gultiņa kopgulēšanas režīmā netraucē vecāku gultai.
- Matracim uz vecāku gultas vienmēr jābūt augstākam par gultiņas sāniem. Ja nē, izmantojiet regulēšanas sistēmu, lai pārliecinātos, ka augstums ir pareizs abās pusēs.
- Pirms katras lietošanas reizes vienmēr pārbaudiet, vai starp matraci un vecāku gultas un gultiņas sienu nav atstarpes. Paveiciet un pievelciat stiprinājuma sistēmu, līdz tiek atjaunots atļautais stāvoklis.
- Ikreiz, kad sānu siena ir nolaišta, pārbaudiet, vai nav mainīta vecāku matrača pozīcija!
- Kad gultiņas sānu siena ir nolaišta, to drīkst lietot tikai tad, kad tā ir piestiprināta pie vecāku gultas.
- Izmantojiet gultiņu ar nolaištu sienu tikai kopgulēšanas režīmā.
- Bērns var gūt savainojumus, ja šūpošanās amplitūda ir pārmērīga.
- Piekārtas gultiņas var apdraudēt citus bērnus.
- Citi bērni var radīt papildu risku (piemēram, pārmērīgi šūpojot bērnu gultiņu).
- Nelīdzzenas virsmas var izraisīt izstrādājuma nestabilitāti.
- Novietojiet piekaramās gultiņas tā, lai nerastos trieciena šūpošanās risks (piem., nepastāvētu risks, ka bērns atsītiesies pret gultiņas rāmi vai gultiņa atsītiesies pret citām mēbelēm).

## I. DAĻAS

1. Matracis; 2. Montāžas siksnas; 3. Augšējā margas; 4. Kulbīņa; 5. Augstuma regulēšanas svira; 6. Rāmja kāja; 7. Universāls ritenis; 8. Savienojuma elements; 9. Atbalsta plastmasas klipši; 10. Pamatplāksne;

## II. NOKĻU GUĻŅA MONTĀŽA

- 2.1. Ievietojiet šķērsenisko atbalsta cauruli plastmasas savienojumā, līdz dzirdat klikšķi.
- 2.2. Ievietojiet kronšteina cauruli plastmasas savienojumā, līdz dzirdat klikšķi.
- 2.3. Ievietojiet atbalsta cauruli savienojumā, līdz dzirdat klikšķi, pēc tam ievietojiet dzelzs stieni groza komplektā.
- 2.4. Ievietojiet dzelzs stieni auduma vāciņā.
- 2.5. Dzelzs stienim, kas atzīmēts ar punktētu līniju, jābūt paslēptam vākā.
- 2.6-2.10. Izvelciet lenti cauri kvadrātveida caurumam un cieši piestipriniet D veida gredzenā.

2.11. Novietojiet matraci un turiet to plakaniski, gultas guļamvieta ir pilnībā uzstādīta.

**PIEZĪME!** Bērnu gultiņa ir piemērota gultām ar minimālo augstumu 54 cm un maksimālo augstumu 65 cm.

## III. KĀ IZJAUKT NOLAIZAMO PUSI

- 3.1. Atvelciet rāvējslēdzēju abās aizsargmargu pusēs.
- 3.2. Nospiediet pogu, kā norādīts ar bultiņu uz pogas, pēc tam uz augšu pa augšējo sliedi.
- 3.3. Ņemiet aizsargmargas galus.
- 3.4. Ņemiet aizsargmargu cauruli un nolieciet to plakaniski.

**PIEZĪME!** Vienmēr pilnībā paceliet nolaižamo pusi, kad tas nav piestiprināts pie pieaugušā gultas!

## IV. KĀ REGULĒT AUGSTUMU

### AUGSTUMA IESTATĪŠANA

Lai mainītu gultiņas augstumu, nospiediet augstuma regulēšanas sviras abos gultiņas galos un iestatiet kulbīņu vēlamajā augstumā. Ir pieejami septiņi gultiņas augstuma iestatījumi. Bērnu gultiņa ļauj iestatīt atšķirīgu augstumu katram tās galam.

**BRĪDINĀJUMS!** Maksimālais pieļaujamais gultiņas kulbīņas slīpums ir divu iestatīšanas līmeņu atšķirība. Vienmēr turiet bērna galvu gultiņā, kas atrodas kulbīņas augšējā galā.

**BRĪDINĀJUMS!** Regulējot augstuma pozīciju, pārliecinieties, ka groza pamatnes slīpuma leņķis no gala līdz galam (galva pret pēdām) nedrīkst būt lielāks par 10°.Or, augstuma starpība starp kreiso un labo pārniesumu ir mazāka par 2°.

- 4.1. Paceliet uz augšu plastmasas augstuma regulēšanas rokturi abās pusēs, tad tas paceļas augstāk.
- 4.2. Paceliet uz augšu plastmasas augstuma regulēšanas rokturi abās pusēs, pēc tam novelciet ligzdu uz leju, tā nolaižas, cik nepieciešams.

### V. SAVIENOŠANA AR PIEAUGUŠĀ GULTU

**BRĪDINĀJUMS!** Izmantojot gultas gultas funkciju, nolaižamā sānu sliede, kas ir jānoņem un labi jāuztur.

**BRĪDINĀJUMS!** Piestiprinot gultu pie gultas, isajai aizsargmargas malai jābūt cieši piestiprinātai ar pieaugušo matraci, lai izvairītos no atstarpes.

**PIEZĪME!** Ja to izmanto kā gultu pie gultas, kulbīņas dibenam jābūt paralēli zemei. Starp gultiņas galiem nedrīkst būt augstuma atšķirības.

**PIEZĪME!** Pirms katras lietošanas reizes pārliecinieties, vai starp pieaugušā gultas matraci un gultiņas sāniem nav atstarpes.



# SVARĪGS! SAGLABĀT TURPMĀKAI ATSAUCEI! IZLASIET UZMANĪGI!

**BRĪDINĀJUMS!** Šo izstrādājumu var izmantot tikai ar gultām un/vai matračiem ar taisnām malām. Neizmantojiet šo produktu ar gultām un/vai matračiem, kas ir noapaļoti, vai ar ūdens gultām.

**TIPA PIEAUGUŠO GULTAS, AR KURĀM VAR VAI NEVAR IZMANTOT GULTAS GUĻAMVIETU**

**BRĪDINĀJUMS!** Piestiprināšanas sistēma VIENMĒR jāizmanto gulēšanas režīmā pie gultas:

- 5.4. Novietojiet gultiņu tieši blakus vecāku gultai un novietojiet piestiprināšanas sistēmu zem gultas matrača un ap gultas rāmi.
- 5.5. Nostipriniet stiprinājuma sistēmu, savienojot un saliekot kopā klipšu sprādzes. Paveiciet siksnu, lai piestiprināšanas sistēmu droši pievilktu pie gultas.
- 5.6. Matracis, atsperes un rāmis izlīdzināti; Pieņemami pieaugušo gultas apstākļi kopgulēšanas režīmam (gultas rāmis vienā rindā).
- 5.7. Nepieņemami pieaugušo gultas apstākļi kopgulēšanas režīmam (gultas rāmis nav vienā rindā).

Nav piemērots lietošanai blakus ūdens gultām vai bērnu gultām.

- Ļaujiet gultiņai pie gultas pieaugušā gulta virzienā.
- Savienojiet gultiņu pie gultas ar pieaugušā gultu ar siksnu, siksnai jānovieto starp matraci un pieaugušo gultas rāmi.

**BRĪDINĀJUMS!** Izmantojot gultas gultas funkciju, nolaižamā sānu sliede, kas ir jānoņem un labi jāuztur.

**BRĪDINĀJUMS!** Piestiprinot gultu pie gultas, isajai aizsargmargas malai jābūt cieši piestiprinātai ar pieaugušo matraci, lai izvairītos no atstarpes. Gultu pie gultas var izmantot tikai līdzinātai pieaugušo gultai. Tikmēr attālumam no izlīdzinātās pieaugušo gultas zemākās apakšējās malas (nolaižamās pusēs) līdz zemei jābūt lielākam par 20 cm.

5.2 Pārliecinieties, ka pēda sasniedz gultas sānu dēli.

5.3 Nav piemērots lietošanai blakus ūdens gultām vai bērnu gultām.

## GULTAS GULTNES FUNKCIJA

5.1-5.3 Lai izstrādājumu izmantotu kā gultu pie gultas, tas ir jāpārveido. Procedūra:

1. Atveriet rāvējslēdzējus abos salokāmās pusēs galos.
2. Pabīdiet fiksatorus, lai atbrīvotu margu fiksatoru.
3. Nolaidiet kulbīņas salokāmo pusi.
4. Novietojiet gultiņu pie pieaugušā gultas sāniem un iestatiet gultiņas augstumu tā, lai gultas matrača augšdaļa būtu vienā līmenī ar saliekamās malas augšējo malu vai ne vairāk kā 2 cm augstāk.
5. Novietojiet gultiņas stiprinājuma siksnas zem gultas matrača un piestipriniet galus virs pieaugušā gultas rāmja gultas pretējā pusē. Starp gultas rāmi un matraci galiem jābūt stāvus.
6. Nostipriniet stiprinājuma siksnas pie gultiņas, izmantojot aizdaras.
7. Pievelciet stiprinājuma siksnas un pārliecinieties, ka tādējādi gultiņa ir stabila un stingri piestiprināts pie pieaugušā gultas.

## VI. KĀ IZMANTOT BREMZES

- 6.1. Lai bloķētu gultiņas ritenus, nospiediet uz leju katra riteņa bremžu fiksatorus.
- 6.2. Lai atbrīvotu ritenus, paceliet bremžu izcilņus.

## VII. TĪRĪŠANA UN AKPOKE

- Notīriet metāla un plastmasas daļas ar mitru drānu un maigu mazgāšanas līdzekli.
- Tīrīšanai izmantojiet ziepjūdeni vai mikstu tīrīšanas līdzekli. Nomazgājiet maisīnu ar rokām ar ziepjūdeni. Negludiniet. Nebalināt.
- NENOVIETOJIET bērnu gultiņu sildierīču tuvumā, jo tas sabojās plastmasu un audumus.
- NELIETOJIET bērnu gultiņu, ja trūkst kādas daļas, tās ir bojātas vai salauztas. Lūdzu, sazinieties ar mūsu izplatītājiem. NAV aizstājējdaļas.

Izmantotie materiāli: plastmasa, tekstils, metāls

**Ražots uzņēmumam Kika Group Ltd., Vasil Levski 121, Plovdiv, Bulgārija. Ražots Ķīnā.**  
**Atbilst EN 1130:2019+AC:2020; EN 16890:2017+A1:2021.**











Kika Group Ltd.  
Vasil Levski 121  
4000 Plovdiv, Bulgaria  
office@kikkaboo.com  
+359 32 51 51 51  
f Kikkaboo Bulgaria  
@ kikkabooworld

KikkaBoo España S.L.  
Pol. ind., Los Alamos s/n, Fase II, Nave 17  
18230 Atarfe (Granada), España  
oficina@kikkaboo.com  
+34 919 148 299  
f Kikkaboo Spain  
@ kikkaboospain

[www.kikkaboo.com](http://www.kikkaboo.com)