

Specification Sheet

USB2.0 Flash Drive AH333



Apacer
Access the best

Apacer Technology Inc.

1F., No. 32, Zhongcheng Rd., Tucheng Dist., New Taipei City 236, Taiwan

Tel: +886-2-2267-8000 Fax: +886-2-2267-2261

www.apacer.com

Table of Contents

<u>1. Product Introduction</u>	3
<u>2. Product Features</u>	3
<u>3. Specification</u>	4
<u>4. Physical Dimension</u>	4
<u>5. Revision History</u>	5

1. Product Introduction

Apacer AH333 flash drive employs a pebble-like rounded contour which creates perfectly firm and comfortable hold. A unique sense of design is shown in the two colors available: chic ivory white and mysterious black, with an arc stripe in ruby red. In addition to its compact size for portability, its maximum capacity can reach up to 64GB, realizing portable bulk storage. Round and firm, stylish and gracious and embodying a sense of generosity, AH333 certainly is the most perfect digital partner!

AH333 flash drive features comfortable touch for its unique rounded appearance and pebble-like contour, drawing people to play around. In addition, its compact size makes itself as portable as a truthful digital partner. The stylish simple body, either in ivory white or mysterious black, is capped with a unique arc strip in ruby red, radiating elegance in its low profile!

AH333 not only features perfect hand-feel with its rounded appearance, but demonstrates Apacer's consistent focus on thoughtful and intricate design. Its compact body gives the user a firm grip with perfect hand-feel and makes it easier for plugging/unplugging. The hidden built-in strap hole at the rear allows users to freely attach individual straps showing their personal style!

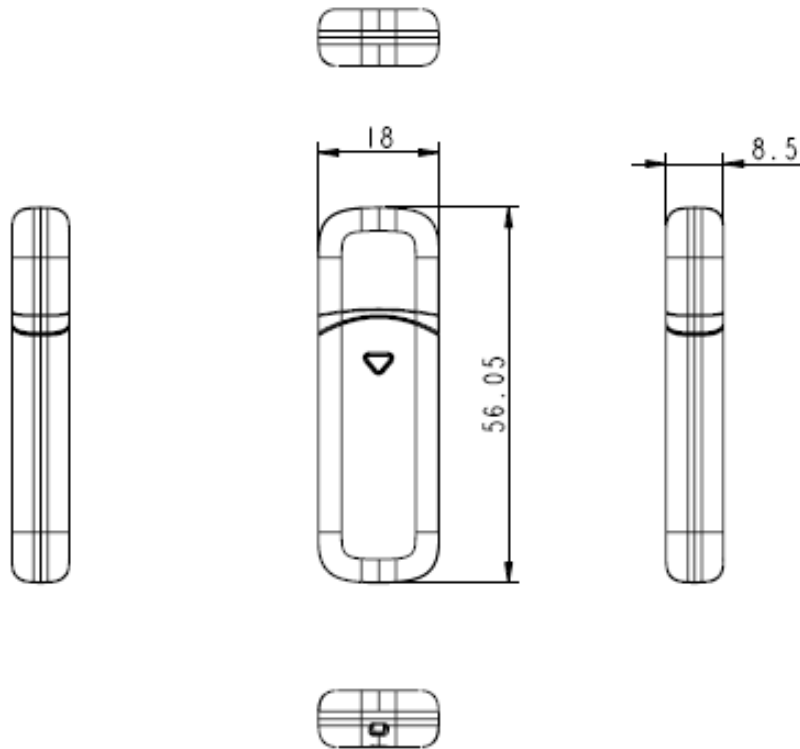
2. Features

- Hi-speed USB 2.0 interface and backward compatible with USB1.1
- Easy plug & play
- USB powered. No external power or battery required
- Strap hole for easy carry
- RoHS compliant

3. Specifications

Specifications	
Interface	High-speed USB 2.0 certified Backwards compatible with USB 1.1
Power supply	USB bus powered No external power required
Operating Systems Supported	Windows XP/ Vista/ 7 / 8, Mac 10.4.x or above Linux Kernel 2.6.x or above
Capacity	8GB ~64 GB
Operating Temperature	0° C to +60° C (32° F to 140° F)
Storage Temperature	-20° C to +60° C (-4° F to +140° F)
Dimensions	(L)56.05 x (W)18 x (H)8.5mm
Weight	7.8g
Certificate	CE, FCC, BSMI, C-Tick

4. Physical Dimension



Unit: mm

5. Revision History

Revision No	History	Date	Remarks
1.0	Official Release	July 24, 2014	
1.1	Remove 4GB density	Jan. 09, 2019	