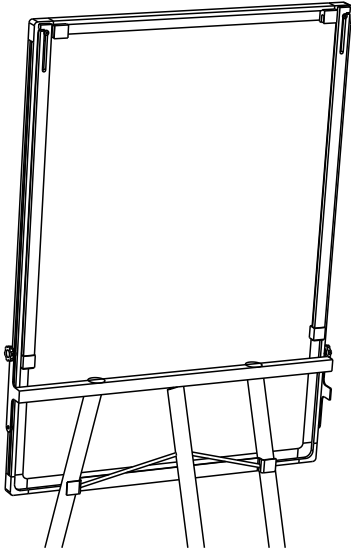
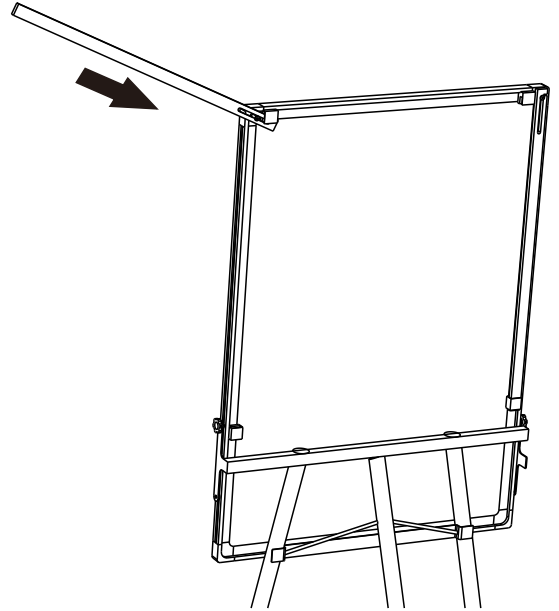


ASSEMBLY INSTRUCTION

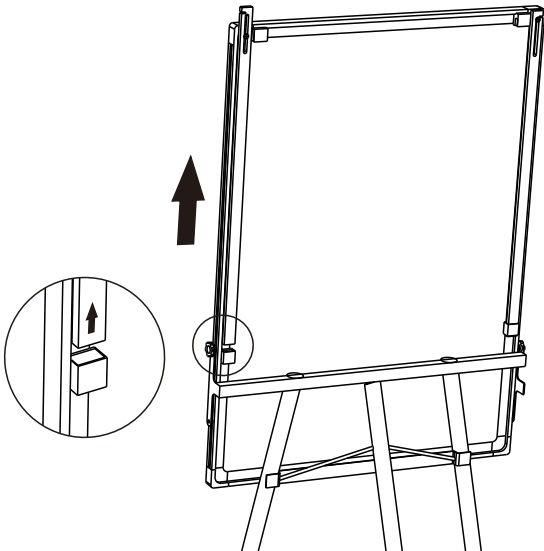
1



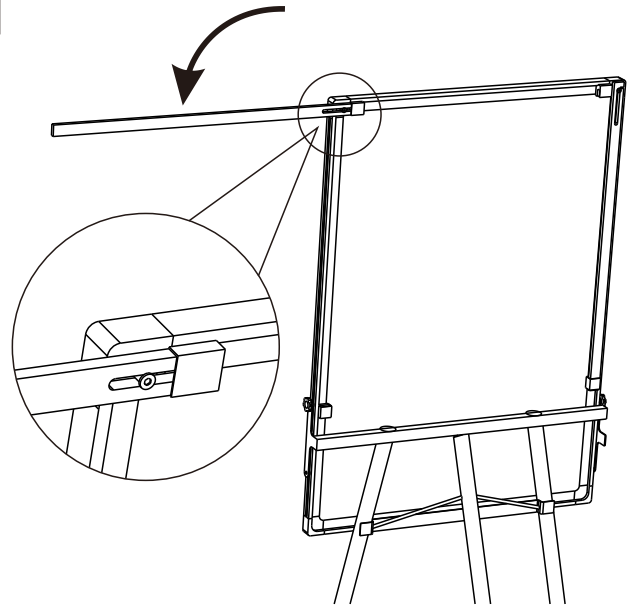
4



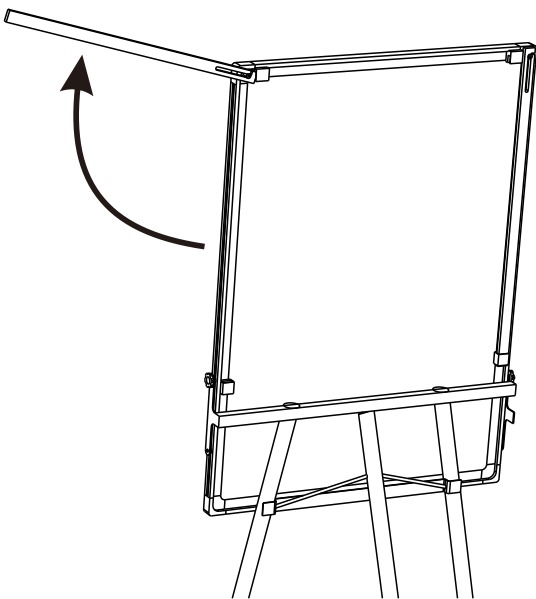
2



5



3



6

