

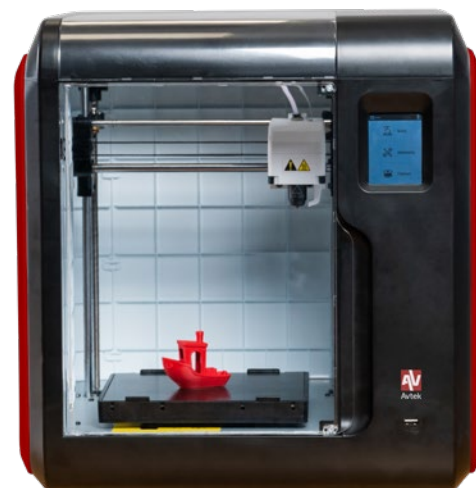
3D PRINTER
Avtek CreoCube 3D



Avtek

Inspire | Engage | Lead

A compact 3D printer you can easily find the space for in every classroom, so quiet (<45dB) it can go on working during the class without disturbing the teacher or the students. The closed build chamber and filament compartment ensure maximum user safety. The integrated camera and Wi-Fi connectivity let you watch the progress of the printing process and send model data to the 3D printer from your computer without leaving your desk. With the easy set-up and the intuitive slicing software, you can start your 3D printing adventure almost immediately upon unpacking the printer. The glass build plate surface makes maintenance and care of the printer easier and extends its life. In addition to the popular PLA/ABS filaments supported, the extra nozzle with a maximum temperature of 265°C enables you to use the more advanced PETG/PLA-CF/PETG-CF materials. Thanks to the integrated lighting of the build area, you can always see the model being printed clearly – either directly or remotely, using the integrated camera – even if the location where the printer is set up is not lit too well.



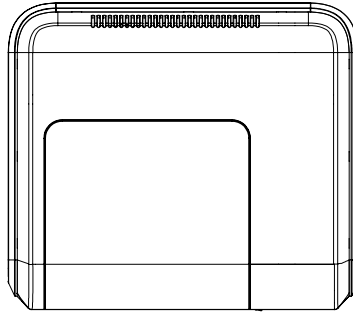
MODEL	AVTEK CREOCUBE 3D	
	Designed for	Schools
PRINT		
	Number of nozzles	1
	Max. nozzle temperature	240°C or 265°C, depending on the nozzle installed (two nozzles included)
	Build area	150 mm x 150 mm x 150 mm
	Max. build plate temperature	100°C
	Build speed	10-100 mm/s
	Supported filament materials	PLA, ABS
	Layer thickness	0.1 mm - 0.4 mm
	Accuracy	+/- 0,2 mm
HARDWARE		
	Printer size	388 mm x 340 mm x 405 mm
	Touch	screen: 2.8"
	Built-in internal memory, min.	8 GB
	Spool	52 mm
	Camera	1.8 megapixel
	Ambient operating temperature	15°C - 30°C
	Product weight	9 kg
	Power requirements	100-240 V, 47-63 Hz
	Power rating	150 W
	Connectivity	USB, Wi-Fi, Ethernet
SOFTWARE		
	Slicing software	AvtekSlicer
	Supported input file formats	3MF/STL/OBJ/FPP/BMP/PNG/JPG/JPEG
	Supported output file formats	GX/G

This specification is for information purposes only and is not an official offer. Specifications and technical specifications are subject to change. The actual appearance of the devices may differ from the one shown in the pictures.

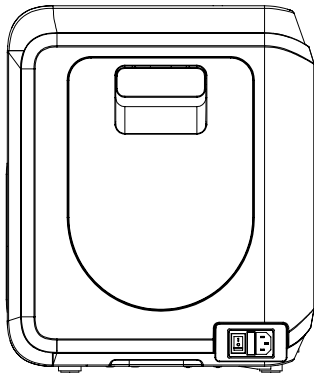




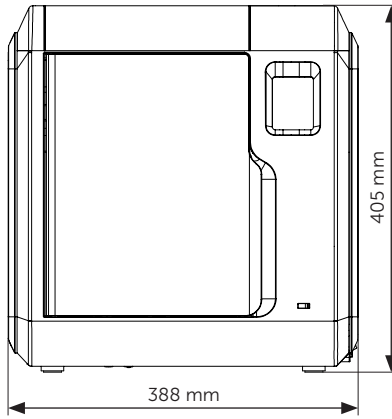
TOP VIEW



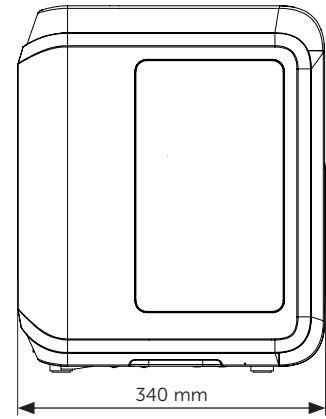
SIDE VIEW



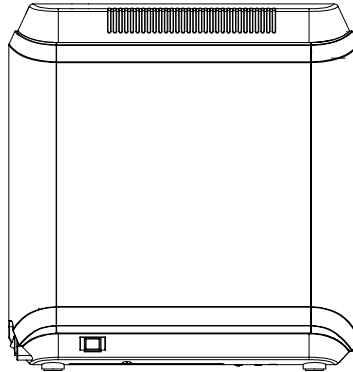
FRONT VIEW



SIDE VIEW



REAR VIEW



BOTTOM VIEW

