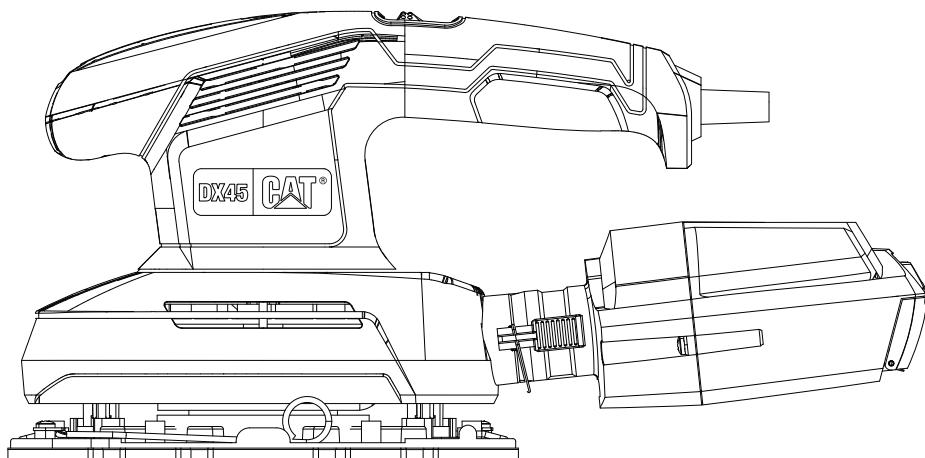


# CAT<sup>®</sup>

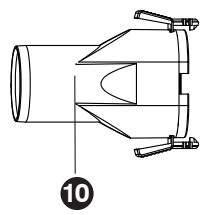
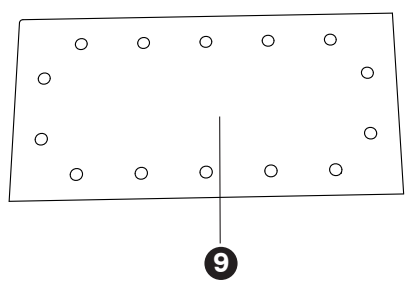
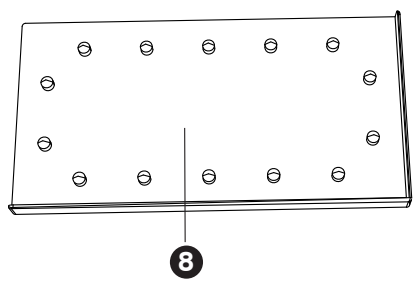
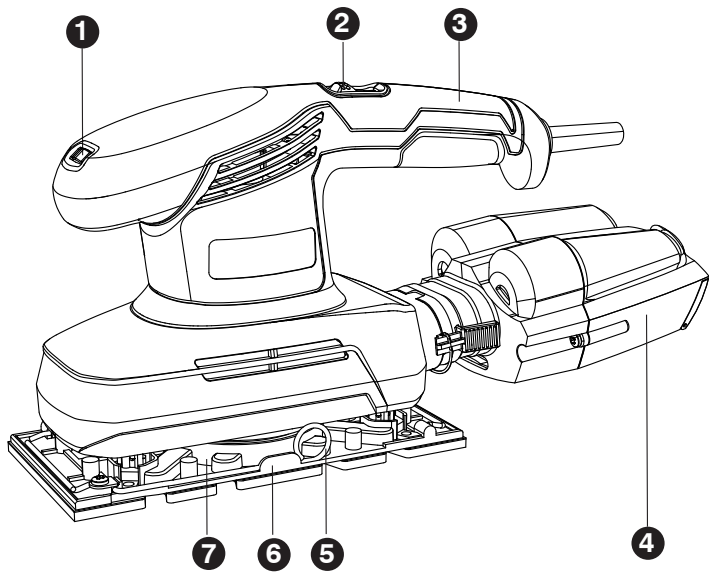


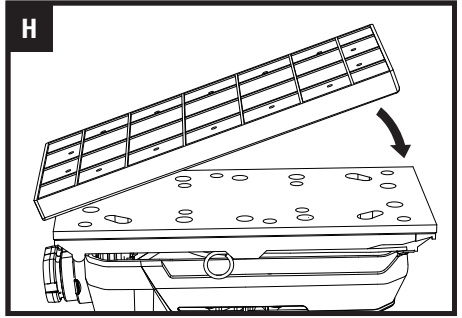
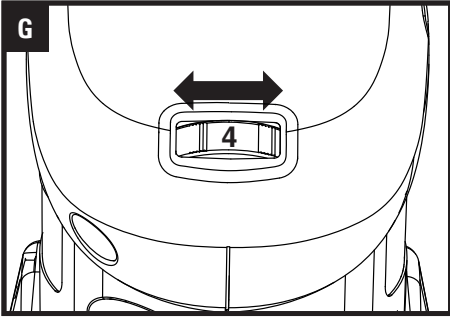
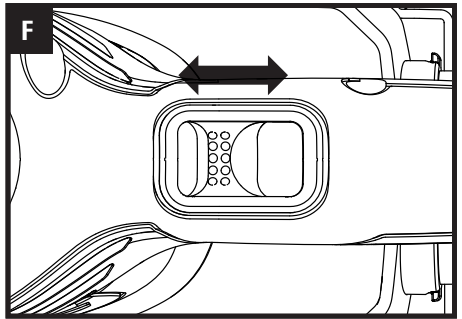
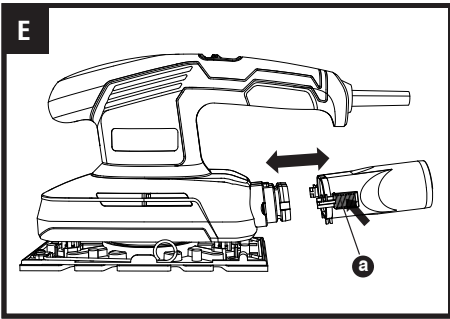
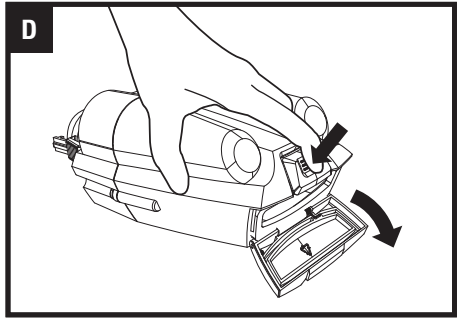
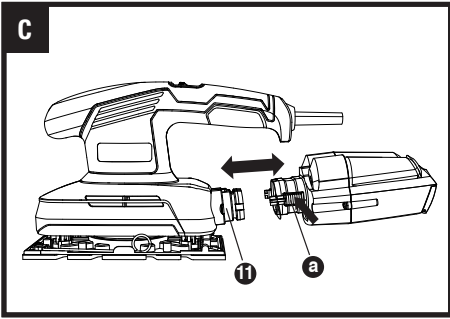
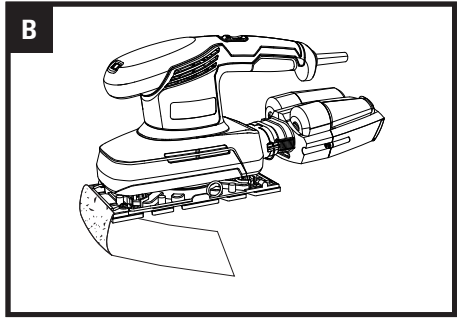
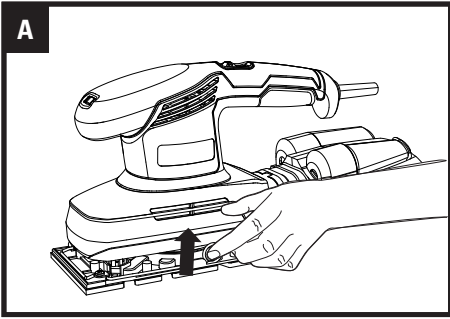
## 240W

### DX45



EN	1/3 Sheet sander	PL	1/3 Szlifierka do arkuszy
DE	1/3 Schwingschleifer	BG	1/3 Лист шлифовъчна машина
FR	Ponceuse 1/3 de feuille	HU	1/3 Lapos csiszológép
IT	1/3 Levigatrice a foglio	RO	1/3 Mașină de șlefuit
ES	1/3 Lijadora orbital	CZ	1/3 Bruska na listy
NL	1/3 Vel schuurmachine	SK	1/3 Brúska listov
PT	1/3 Lixadora orbital	SL	1/3 Listni brusilnik
SV	1/3 Ark sander slipmaskin	TR	1/3 Titreşimli zımpara makinesi
FIN	1/3 Arkin hiomakone	AR	1/3 صنفرة كهربائية
NOR	1/3 Ark slipmaskin		
DK	1/3 Ark sliber		





# ORIGINAL INSTRUCTIONS

## PRODUCT SAFETY

### GENERAL POWER TOOL SAFETY WARNINGS



**WARNING!** Read all safety warnings, instructions, illustrations and specifications provided with this power tool. Failure to follow all instructions listed below may result in electric shock, fire and/or serious injury.

Save all warnings and instructions for future reference.

The term "power tool" in the warnings refers to your mains-operated (corded) power tool or battery-operated (cordless) power tool.

#### 1. WORK AREA SAFETY

- Keep work area clean and well lit. Cluttered or dark areas invite accidents.
- Do not operate power tools in explosive atmospheres, such as in the presence of flammable liquids, gases or dust. Power tools create sparks which may ignite the dust or fumes.
- Keep children and bystanders away while operating a power tool. Distractions can cause you to lose control.

#### 2. ELECTRICAL SAFETY

- Power tool plugs must match the outlet. Never modify the plug in any way. Do not use any adapter plugs with earthed (grounded) power tools. Unmodified plugs and matching outlets will reduce risk of electric shock.
- Avoid body contact with earthed or grounded surfaces, such as pipes, radiators, ranges and refrigerators. There is an increased risk of electric shock if your body is earthed or grounded.
- Do not expose power tools to rain or wet conditions. Water entering a power tool will increase the risk of electric shock.
- Do not abuse the cord. Never use the cord for carrying, pulling or unplugging the power tool. Keep cord away from heat, oil, sharp edges or moving parts. Damaged or entangled cords increase the risk of electric shock.
- When operating a power tool outdoors, use an extension cord suitable for outdoor use. Use of a cord suitable for outdoor use reduces the risk of electric shock.
- If operating a power tool in a damp location is unavoidable, use a residual current device (RCD) protected supply. Use of an RCD reduces the risk of electric shock.

#### 3. PERSONAL SAFETY

- Stay alert, watch what you are doing and use common sense when operating a power tool. Do not use a power tool while you are tired or under the influence of drugs, alcohol or medication. A moment of inattention while operating power tools may result in serious personal injury.
- Use personal protective equipment. Always wear eye protection. Protective equipment such as dust mask, non-skid safety shoes, hard hat, or hearing protection used for appropriate conditions will reduce personal injuries.
- Prevent unintentional starting. Ensure the switch is in the off-position before connecting to power source and/or battery pack, picking up or carrying the tool. Carrying power tools with your finger on the switch or energising power tools that have the switch on invites accidents.
- Remove any adjusting key or wrench before turning the power tool on. A wrench or a key left attached to a rotating part of the power tool may result in personal injury.

- Do not overreach. Keep proper footing and balance at all times. This enables better control of the power tool in unexpected situations.
- Dress properly. Do not wear loose clothing or jewellery. Keep your hair and clothing away from moving parts. Loose clothes, jewellery or long hair can be caught in moving parts.
- If devices are provided for the connection of dust extraction and collection facilities, ensure these are connected and properly used. Use of dust collection can reduce dust-related hazards.
- Do not let familiarity gained from frequent use of tools allow you to become complacent and ignore tool safety principles. A careless action can cause severe injury within a fraction of a second.

#### 4. POWER TOOL USE AND CARE

- Do not force the power tool. Use the correct power tool for your application. The correct power tool will do the job better and safer at the rate for which it was designed.
- Do not use the power tool if the switch does not turn it on and off. Any power tool that cannot be controlled with the switch is dangerous and must be repaired.
- Disconnect the plug from the power source and/or remove the battery pack, if detachable, from the power tool before making any adjustments, changing accessories, or storing power tools. Such preventive safety measures reduce the risk of starting the power tool accidentally.
- Store idle power tools out of the reach of children and do not allow persons unfamiliar with the power tool or these instructions to operate the power tool. Power tools are dangerous in the hands of untrained users.
- Maintain power tools and accessories. Check for misalignment or binding of moving parts, breakage of parts and any other condition that may affect the power tool's operation. If damaged, have the power tool repaired before use. Many accidents are caused by poorly maintained power tools.
- Keep cutting tools sharp and clean. Properly maintained cutting tools with sharp cutting edges are less likely to bind and are easier to control.
- Use the power tool, accessories and tool bits etc. in accordance with these instructions, taking into account the working conditions and the work to be performed. Use of the power tool for operations different from those intended could result in a hazardous situation.
- Keep handles and grasping surfaces dry, clean and free from oil and grease. Slippery handles and grasping surfaces do not allow for safe handling and control of the tool in unexpected situations.

#### 5. SERVICE

- Have your power tool serviced by a qualified repair person using only identical replacement parts. This will ensure that the safety of the power tool is maintained.

## SYMBOLS



To reduce the risk of injury, user must read instruction manual



Warning



Wear ear protection



Wear eye protection



Wear dust mask



Double insulation




Waste electrical products must not be disposed of with household waste. Please recycle where facilities exist. Check with your local authorities or retailer for recycling advice.

## COMPONENT LIST

1. VARIABLE SPEED CONTROL
2. ON/OFF SWITCH
3. HAND GRIP AREA
4. DUST BOX
5. SANDING PAPER CLAMP LEVER
6. CLAMP LEVER LOCK
7. ALUMINIUM BASE PLATE
8. PAPER HOLE PUNCH
9. SANDING PAPER
10. VACUUM ADAPTER
11. DUST EXTRACTION OUTLET (SEE FIG. C)

## TECHNICAL DATA

Type DX45 (45-designation of machinery, representative of sheet sander)

Rated voltage	220-240V~50/60Hz
Rated power	240W
No load speed	6000-11000/min
Protection class	 /II
Base size	90*187mm
Orbital diameter	1.6mm
Machine weight	1.63kg

EN

## NOISE INFORMATION

A weighted sound pressure	$L_{pA} = 78$ dB(A)
A weighted sound power	$L_{wA} = 89$ dB(A)
$K_{pA}$ & $K_{wA}$	3.0 dB(A)
Wear ear protection.	

## VIBRATION INFORMATION

Vibration total values (triax vector sum) determined according to EN 62841:	
Vibration emission value	$a_h = 6,0$ m/s <sup>2</sup>
	Uncertainty K = 1.5 m/s <sup>2</sup>

The declared vibration total value and the declared noise emission value have been measured in accordance with a standard test method and may be used for comparing one tool with another.

The declared vibration total value and the declared noise emission value may also be used in a preliminary assessment of exposure.



**WARNING:** The vibration and noise emissions during actual use of the power tool can differ from the declared value depending on the ways in which the tool is used especially what kind of workpiece is processed dependant on the following examples and other variations on how the tool is used:

How the tool is used and the materials being cut or drilled.

The tool being in good condition and well maintained.

The use of the correct accessory for the tool and ensuring it is sharp and in good condition.

The tightness of the grip on the handles and if any anti vibration and noise accessories are used.

And the tool is being used as intended by its design and these instructions.

This tool may cause hand-arm vibration syndrome if its use is not adequately managed.



**WARNING:** To be accurate, an estimation of exposure level in the actual conditions of use should also take account of all parts of the operating cycle such as the times when the tool is switched off and when it is running idle but not actually doing the job. This may significantly reduce the exposure level over the total working period.

Helping to minimise your vibration and noise exposure risk.

Always use sharp chisels, drills and blades.

Maintain this tool in accordance with these instructions and keep well lubricated (where appropriate).

If the tool is to be used regularly then invest in anti vibration and noise accessories.

Plan your work schedule to spread any high vibration tool use across a number of days.

## ACCESSORIES

Paper hole punch	1
Vacuum adapter	1
80 grit clamp sanding paper	1
Dust box	1

We recommend that you purchase your accessories from the same store that sold you the tool. Refer to the accessory packaging for further details. Store personnel can assist you and offer advice.

## OPERATING INSTRUCTIONS



**NOTE:** Before using the tool, read the instruction book carefully.

### INTENDED USE

The machine is intended for dry sanding of wood, plastic, filler and coated surfaces.

### ASSEMBLY

#### 1. FITTING THE SANDING PAPER (SEE FIG. A, B)

- Sanding paper without hook & loop system

Lift up the sanding paper clamp lever and move it away from the clamp lever lock. Repeat with the other clamp lever on the opposite side.

Insert approximately 5mm of one end of the sanding paper under the sanding paper clamp lever. Lift up the sanding paper clamp lever again and move it back to the clamp lever lock position to lock the paper. Depress the sanding paper around the base plate shape as tight as possible and fix the other end of the sanding paper.

Check the sanding paper and always ensure it is tight over the base plate and secured underneath both locked clamps.

- Sanding paper with hoop & loop system

Align and directly depress the sanding paper onto the base plate by hand. Firmly press the sander with the sanding paper against a flat surface to ensure the paper is secured. The holes on the sanding paper and base plate should be aligned well.

#### 2. FITTING AND REMOVING THE DUST BOX (SEE FIG. C)

Your sander is equipped with a dust box. To attach, insert the dust box into the rear dust extraction outlet until it is secure. To remove, press the release lever (a) on both sides of the dust box and slide the dust box out.



**CAUTION:** To prevent the possibility of sanding dust or foreign body being thrown into your face or eyes, never attempt to use your sander without the dust box properly installed.

#### 3. EMPTY THE DUST BOX (SEE FIG. D)

For more efficient operation, empty the dust box every 5-10mins. This will permit the air to flow through the box better.

To empty the dust box, first remove it from the dust extraction outlet, press the button at the rear of the box to open the back of box, then you can shake the dust out.

#### 4. ATTACHING SANDER TO VACUUM (SEE FIG. E)

Your sander is equipped with a vacuum adapter, which is designed for dust collection task. Insert the vacuum adapter into the rear dust extraction outlet and ensure it is tightened securely. Then connect the adapter to the hose of a vacuum cleaner.

While using, first please turn on the vacuum cleaner, and then turn on the sander. If you stop sanding, first turn off the sander, then turn off your vacuum cleaner.

**NOTE:** Please always connect the adaptor with 35mm vacuum hose.

### OPERATION

#### 1. OPERATING THE ON / OFF SWITCH (SEE FIG. F)

Slide the on/off switch forwards for operation, and slide it backwards to stop.

#### 2. VARIABLE SPEED CONTROL (SEE FIG. G)

With the variable speed control, the required speed can be selected (also while running).

The required speed is dependent on the material and is to be determined by a practical trial.

#### 3. PAPER HOLE PUNCH (SEE FIG. H)

If using sanding paper without dust holes, first you should use the paper hole punch to perforate the holes to ensure correct dust extraction. Position the punch over the base plate with the punch sides aligned with the edges of the base plate. Press the punch into the base plate to punch holes into the sanding paper. Then remove the punch and check all the holes have been formed correctly.

#### 4. USING THE SANDER

The workpiece to be sanded must be secured. If it is small or it may move during sanding, it must be held in a vice or suitably clamped.

Be sure to hold the sander firmly whilst it is turned on and apply it gently to the work, it may "kick" on first contact. Hold the sander so that it is flat on the work and move slowly, preferably with a smooth, circular motion. Regularly check the condition of the sanding paper and replace when worn for best results.

## WORKING HINTS FOR YOUR SANDER

1. If your power tool becomes too hot, especially when used at low speed, set the speed to maximum and run it with no load

for 2-3 minutes to cool the motor. Avoid prolonged usage at very low speeds. Always use sanding paper that is suitable for the material you want to sand.

2. Always ensure the work-piece is firmly held or clamped to prevent movement.
3. Any movement of the material may affect the quality of the sanding finish.
4. Start your sander before sanding and turn it off only after you stop sanding. For the best results, sand wood in the direction of the grain.
5. Do not start sanding without having the sanding paper fitted.
6. Do not allow the sanding paper to wear away it will damage the base-plate. The guarantee does not cover base-plate wear and tear.
7. Use coarse grit paper to sand rough surfaces, medium grit for smooth surfaces and fine grit for the final surfaces. If necessary, first make a test run on scrap material.
8. Use only good quality sanding paper.
9. The sanding paper controls the sanding efficiency, not the amount of force you apply to the tool. Excessive force will reduce the sanding efficiency and cause motor overload. Replacing the sanding paper regularly will maintain optimum sanding efficiency.

## MAINTENANCE

**Remove the plug from the socket before carrying out any adjustment, servicing or maintenance.**

Your power tool requires no additional lubrication or maintenance. There are no user serviceable parts in your power tool. Never use water or chemical cleaners to clean your power tool. Wipe clean with a dry cloth. Always store your power tool in a dry place. Keep the motor ventilation slots clean. Keep all working controls free of dust. Occasionally you may see sparks through the ventilation slots. This is normal and will not damage your power tool.

If the supply cord is damaged, it must be replaced by the manufacturer, its service agent or similarly qualified persons in order to avoid a hazard.

## TROUBLESHOOTING

1. If your sander will not operate, check the power at the mains plug.
2. If the sander does not abrade surface, checking the sanding paper. If the sanding paper has been worn, replace the new paper and try again. The paper must be kept in a dry place, if it is allowed to become damp, the abrasive particles will lose their adhesion to the backing paper and will not abrade.
3. If the sander does not move smoothly, The sanding paper may be loose, damaged or wrinkled. Replace and try again.
4. If a fault cannot be rectified return the sander to an authorized dealer for repair.

## ENVIRONMENTAL PROTECTION



Waste electrical products should not be disposed of with household waste. Please recycle where facilities exist. Check with your Local Authority or retailer for recycling advice.

## PLUG REPLACEMENT (ONLY FOR REWIRABLE PLUG OF UK & IRELAND)

If you need to replace the fitted plug then follow the instructions below.

### IMPORTANT

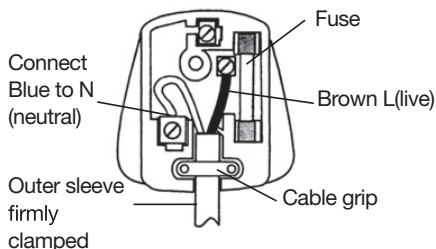
The wires in the mains lead are colored in accordance with the following code:

Blue = Neutral  
Brown = Live

As the colors of the wires in the mains lead of this appliance may not correspond with the colored markings identifying the terminals in your plug, proceed as follows. The wire which is colored blue must be connected to the terminal which is marked with N. The wire which is colored brown must be connected to the terminal which is marked with L.

**WARNING:** Never connect live or neutral wires to the earth terminal of the plug. Only fit an approved BS1363/A plug and the correct rated fuse.

**NOTE:** If a moulded plug is fitted and has to be removed take great care in disposing of the plug and severed cable, it must be destroyed to prevent engaging into a socket.



## DECLARATION OF CONFORMITY

We,  
POSITEC Germany GmbH  
Postfach 32 02 16, 50796 Cologne, Germany

Declare that the product  
Description: **1/3 Sheet Sander**  
Type: **DX45 (45-designation of machinery, representative of finishing sander)**  
Function: **Removing surface material using an abrasive medium**

Complies with the following Directives,  
**2006/42/EC, 2014/30/EU, 2011/65/EU&(EU)2015/863**

Standards and technical specifications referred to:  
**EN 55014-1, EN 55014-2, EN 62841-1, EN 62841-2-4, EN IEC 61000-3-2, EN 61000-3-3**

The person authorized to compile the technical file,  
**Name Marcel Filz**  
**Address POSITEC Germany GmbH**  
**Postfach 32 02 16, 50796 Cologne, Germany**



2023/04/16  
Allen Ding  
Deputy Chief Engineer, Testing & Certification  
Positec Technology (China) Co., Ltd  
18, Dongwang Road, Suzhou Industrial  
Park, Jiangsu 215123, P. R. China

# ORIGINALBETRIEBSANLEITUNG

## PRODUKTSICHERHEIT

### ALLGEMEINE

### SICHERHEITSHINWEISE FÜR

### ELEKTROWERKZEUGE



**WARNUNG!** Machen Sie sich mit allen Sicherheitswarnungen, Anweisungen, Abbildungen und Spezifikationen vertraut, die mit diesem Elektrowerkzeug geliefert werden. Die Nichtbeachtung der unten aufgeführten Anweisungen kann in elektrischen Schlägen, Feuer und/oder schweren Verletzungen resultieren.

**Bewahren Sie alle Sicherheitshinweise und Anweisungen für die Zukunft auf.**

Der in den Sicherheitshinweisen verwendete Begriff „Elektrowerkzeug“ bezieht sich auf akkubetriebene Elektrowerkzeuge (ohne Netzkabel).

#### 1) Arbeitsplatzsicherheit

- a) Halten Sie Ihren Arbeitsbereich sauber und gut beleuchtet. Unordnung oder unbeleuchtete Arbeitsbereiche können zu Unfällen führen.
- b) Arbeiten Sie mit dem Elektrowerkzeug nicht in explosionsgefährdeter Umgebung, in der sich brennbare Flüssigkeiten, Gase oder Stäube befinden. Elektrowerkzeuge erzeugen Funken, die den Staub oder die Dämpfe entzünden können.
- c) Halten Sie Kinder und andere Personen während der Benutzung des Elektrowerkzeugs fern. Bei Ablenkung können Sie die Kontrolle über das Gerät verlieren.

#### 2) Elektrische Sicherheit

- a) Der Anschlussstecker des Elektrowerkzeuges muss in die Steckdose passen. Der Stecker darf in keiner Weise verändert werden. Verwenden Sie keine Adapterstecker gemeinsam mit geschützten Elektrowerkzeugen. Unveränderte Stecker und passende Steckdosen verringern das Risiko eines elektrischen Schlags.
- b) Vermeiden Sie Körperkontakt mit geerdeten Oberflächen wie von Rohren, Heizungen, Herden und Kühlschränken. Es besteht ein erhöhtes Risiko durch elektrischen Schlag, wenn Ihr Körper geerdet ist.
- c) Halten Sie Elektrowerkzeuge von Regen oder Nässe fern. Das Eindringen von Wasser in ein Elektrowerkzeug erhöht das Risiko eines elektrischen Schlages.
- d) Zweckfremden Sie das Kabel nicht, um das Elektrowerkzeug zu tragen, aufzuhängen oder um den Stecker aus der Steckdose zu ziehen. Halten Sie das Kabel fern von Hitze, Öl, scharfen Kanten oder sich bewegenden Geräteteilen. Beschädigte oder verwickelte Kabel erhöhen das Risiko eines elektrischen Schlages.
- e) Wenn Sie mit einem Elektrowerkzeug im Freien arbeiten, verwenden Sie nur Verlängerungskabel, die auch für den Außenbereich geeignet sind. Die Anwendung eines für den Außenbereich geeigneten Verlängerungskabels verringert das Risiko eines elektrischen Schlages.
- f) Wenn der Betrieb des Elektrowerkzeuges in feuchter Umgebung nicht vermeidbar ist, verwenden Sie einen Fehlerstromschutzschalter. Der Einsatz eines Fehlerstromschutzschalters vermindert das Risiko eines elektrischen Schlages.

#### 3) Sicherheit von Personen

- a) Seien Sie aufmerksam, Achten Sie darauf, was Sie tun, und gehen Sie mit Vernunft an die Arbeit mit einem Elektrowerkzeug. Benutzen Sie kein Elektrowerkzeug, wenn Sie müde sind oder unter dem Einfluss von Drogen, Alkohol oder Medikamenten stehen. Ein Moment der Unachtsamkeit beim Gebrauch des Elektrowerkzeuges kann zu ernsthaften Verletzungen führen.
  - b) Tragen Sie persönliche Schutzausrüstung und immer eine Schutzbrille. Das Tragen persönlicher Schutzausrüstung, wie Staubmaske, rutschfeste Sicherheitsschuhe, Schutzhelm oder Gehörschutz, je nach Art und Einsatz des Elektrowerkzeuges, verringert das Risiko von Verletzungen.
  - c) Vermeiden Sie eine unbeabsichtigte Inbetriebnahme. Vergewissern Sie sich, dass das Elektrowerkzeug ausgeschaltet ist, bevor Sie es an den Akku anschließen, es aufnehmen oder tragen. Wenn Sie beim Tragen des Elektrowerkzeuges den Finger am Schalter haben oder das Gerät eingeschaltet an die Stromversorgung anschließen, kann dies zu Unfällen führen.
  - d) Entfernen Sie Einstellwerkzeuge oder Schraubenschlüssel, bevor Sie das Elektrowerkzeug einschalten. Ein Werkzeug oder Schlüssel, der sich in einem drehenden Geräteteil befindet, kann zu Verletzungen führen.
  - e) Vermeiden Sie eine abnormale Körperhaltung. Sorgen Sie für einen sicheren Stand und halten Sie jederzeit das Gleichgewicht. Dadurch können Sie das Elektrowerkzeug in unerwarteten Situationen besser kontrollieren.
  - f) Tragen Sie geeignete Kleidung. Tragen Sie keine weite Kleidung oder Schmuck. Halten Sie Haare und Kleidung fern von sich bewegenden Teilen. Lockere Kleidung, Schmuck oder lange Haare können von sich bewegenden Teilen erfasst werden.
  - g) Wenn Staubabsaug- und -auffangeinrichtungen montiert werden können, vergewissern Sie sich, dass diese angeschlossen sind und richtig verwendet werden. Verwendung einer Staubabsaugung kann Gefährdungen durch Staub verringern.
  - h) Vermeiden Sie, durch die häufige Nutzung des Werkzeugs in einen Trott zu verfallen und Prinzipien für die Werkzeugsicherheit zu ignorieren. Eine unachtsame Aktion kann im Bruchteil einer Sekunde zu schweren Verletzungen führen.
- #### 4) Verwendung und Behandlung des Elektrowerkzeuges
- a) Überlasten Sie das Gerät nicht. Verwenden Sie für Ihre Arbeit das dafür bestimmte Elektrowerkzeug. Mit dem passenden Elektrowerkzeug arbeiten Sie besser und sicherer im angegebenen Leistungsbereich.
  - b) Benutzen Sie kein Elektrowerkzeug, dessen Schalter defekt ist. Ein Elektrowerkzeug, das sich nicht mehr ein- oder ausschalten lässt, ist gefährlich und muss repariert werden.
  - c) Klemmen Sie den Stecker von der Stromversorgung ab und/oder entfernen Sie den Akku (falls abnehmbar) aus dem Elektrowerkzeug, bevor Sie Geräteeinstellungen vornehmen, Zubehörteile wechseln oder das Gerät weglegen. Diese Vorsichtsmaßnahme verhindert den unbeabsichtigten Start des Elektrowerkzeuges.
  - d) Bewahren Sie unbenutzte Elektrowerkzeuge außerhalb der Reichweite von Kindern auf. Lassen Sie Personen das Gerät nicht benutzen, die mit diesem nicht vertraut sind oder diese Anweisungen nicht gelesen haben. Elektrowerkzeuge sind gefährlich, wenn Sie von unerfahrenen Personen benutzt werden.
  - e) Warten Sie die Elektrowerkzeuge und Zubehör.



Kontrollieren Sie, ob bewegliche Teile einwandfrei funktionieren und nicht klemmen, ob Teile gebrochen oder so beschädigt sind, dass die Funktion des Elektrowerkzeuges beeinträchtigt ist. Lassen Sie beschädigte Teile vor dem Einsatz des Gerätes reparieren. Viele Unfälle haben ihre Ursache in schlecht gewarteten Elektrowerkzeugen.

- f) **Halten Sie Schneidwerkzeuge scharf und sauber.**  
Sorgfältig gepflegte Schneidwerkzeuge mit scharfen Schneidkanten verkleben sich weniger und sind leichter zu führen.
- g) **Verwenden Sie Elektrowerkzeug, Zubehör, Einsatzwerkzeuge usw. entsprechend diesen Anweisungen. Berücksichtigen Sie dabei die Arbeitsbedingungen und die auszuführende Tätigkeit.**  
Der Gebrauch von Elektrowerkzeugen für andere als die vorgesehenen Anwendungen kann zu gefährlichen Situationen führen.
- h) **Halten Sie die Griffe trocken, sauber und frei von Öl und Fett.** Rutschige Griffe und Oberflächen unterbinden die sichere Bedienbarkeit und Kontrolle über das Werkzeug in unerwarteten Situationen.
- 5) **Service**  
a) **Lassen Sie Ihr Elektrowerkzeug nur von qualifiziertem Fachpersonal und nur mit Original-Ersatzteilen reparieren.**  
Damit wird sichergestellt, dass die Sicherheit des Gerätes erhalten bleibt.

## SYMBOLE



Zur Reduzierung der Verletzungsgefahr bitte die Bedienungsanleitung durchlesen



WARNUNG



Tragen Sie einen Gehörschutz



Tragen Sie eine Schutzbrille



Tragen Sie eine Staubmaske



Schutzisolation



Elektroprodukte dürfen nicht mit dem normalen Haushaltsmüll entsorgt werden, sondern sollten nach Möglichkeit zu einer Recyclingstelle gebracht werden. Ihre zuständigen Behörden oder Ihr Fachhändler geben Ihnen hierzu gerne Auskunft.

## KOMPONENTENLISTE

1. VARIABLE DREHZAHLEGEUNG
2. EIN/AUS-SCHALTER
3. HANDGRIFFBEREICH
4. STAUBKASTEN
5. SCHLEIFPAPIERKLAMMHEBEL
6. KLEMMHEBELSCHLOSS
7. ALUMINIUM-GRUNDPLATTE
8. PAPIERLÖCHER STANZEN
9. SCHLEIFPAPIER
10. VAKUUM-ADAPTER
11. STAUB-EXTRAKTIONSAUSGANG (SIEHE ABB. C)

## TECHNICAL DATA

Typ DX45 (45-Bezeichnung der Maschine, repräsentiert die Schwingschleifer)

Nennspannung	220-240V~50/60Hz
Nennleistung	240W
Leerlaufdrehzahl	6000-11000/min
Schutzklasse	□/II
Grundplatte	90*187mm
Schwingkreis-durchmesser	1.6mm
Maschinengewicht	1.63kg

# INFORMATIONEN ÜBER LÄRM

Gewichteter Schalldruck	$L_{pA} = 78 \text{ dB(A)}$
Gewichtete Schalleistung	$L_{wA} = 89 \text{ dB(A)}$
$K_{pA}$ & $K_{wA}$	3.0 dB(A)
<b>Tragen Sie einen Gehörschutz.</b>	

# INFORMATIONEN ÜBER VIBRATIONEN

Vibrations Gesamt Messwertermittlung gemäß EN 62841:	
Vibrationsemissionswert:	$a_{rv} = 6,0 \text{ m/s}^2$
	Unsicherheit $K = 1.5 \text{ m/s}^2$

Der angegebene Vibrationsgesamtwert kann und der angegebene Vibrationsemissionswert wurden gemäß Standardprüfverfahren gemessen und können zum Vergleichen eines Werkzeug mit einem anderen verwendet werden.  
 Der angegebene Vibrationsgesamtwert und der angegebene Vibrationsemissionswert können auch für eine anfängliche Beurteilung der Beeinträchtigung verwendet werden.



**WARNUNG:** Die Vibrations- und Lärmemissionen bei der eigentlichen Nutzung des Elektrowerkzeugs können vom angegebenen Wert abweichen, je nachdem, wie das Werkzeug verwendet wird und insbesondere abhängig davon, welcher Werkstücktyp verarbeitet wird, und abhängig von folgenden Beispielen und verschiedenen Einsatzmöglichkeiten des Werkzeugs:

Wie das Werkzeug verwendet wird und Materialien geschnitten oder angebohrt werden.

Das Werkzeug ist in gutem Zustand und gut gepflegt.

Verwendung des richtigen Zubehörs für das Werkzeug und Gewährleistung seiner Schärfe und seines guten Zustands.

Die Festigkeit des Griffs auf den Handgriffen und, falls Antivibrations- und Lärmschutzzubehör verwendet wird.

Und ob das verwendete Werkzeug dem Design und diesen Anweisungen entsprechend verwendet wird.

**Wird dieses Werkzeug nicht angemessen gehandhabt, kann es ein Hand-Arm-Vibrationssyndrom erzeugen.**



**WARNUNG:** Um genau zu sein, sollte eine Abschätzung des Belastungsgrades aller Arbeitsabschnitte während tatsächlicher Verwendung berücksichtigt werden, z.B. die Zeiten, wenn das Werkzeug ausgeschaltet ist, und wenn es sich im Leerlauf befindet und eigentlich nicht eingesetzt wird. Auf diese Weise kann der Belastungsgrad während der gesamten Arbeitszeit wesentlich gemindert werden.

Hilft dabei, das Risiko der Vibrations- und Lärmbelastung zu minimieren.

Verwenden Sie **IMMER** scharfe Meißel, Bohrer und Sägeblätter.

Pflegen Sie dieses Werkzeug diesen Anweisungen entsprechend und achten Sie auf eine gute Einfettung (wo erforderlich).

Falls das Werkzeug regelmäßig verwendet werden soll, investieren Sie in Antivibrations- und Lärmschutzzubehör.

Machen Sie einen Arbeitsplan, um die Verwendung von hochvibrierenden Werkzeugen auf mehrere Tage zu verteilen.

# ZUBEHÖRTEILE

Papierlöcher stanzen	1
Vakuum-Adapter	1
Körnung 80 Klemme Schleifpapier	1
Staubkasten	1

Wir empfehlen, dass Sie Ihr Zubehör in dem Geschäft kaufen, in dem Sie das Werkzeug verkauft haben. Weitere Einzelheiten finden Sie in der Verpackung des Zubehörs. Das Ladenpersonal kann Ihnen behilflich sein und Ratschläge geben.

# BETRIEBSANLEITUNG



**HINWEIS:** Bitte lesen Sie die Bedienungsanleitung sorgfältig durch, bevor Sie das Werkzeug verwenden.

## VERWENDUNGSZWECK

Die Maschine dient zum Trockenschleifen von Holz, Kunststoffen, Füllstoffen und beschichteten Oberflächen.

## MONTAGE

### 1. MONTAGE DES SCHLEIFPAPIERS (SIEHE ABB. A, B)

- Schleifpapier ohne Haken & Schleifensystem  
Heben Sie den Sandpapierklemmhebel an und entfernen Sie ihn aus der Klemmverriegelung. Wiederholen Sie diesen Vorgang für den anderen Klemmhebel auf der anderen Seite.

Führen Sie das Schleifpapierende ca. 5 mm unter den Schleifpapierklemmhebel. Heben Sie den Sandpapierklemmhebel wieder an und bewegen Sie ihn zurück in die Verriegelungsposition des Klemmhels, um das Papier zu verriegeln. Drücken Sie das Schleifpapier so fest wie möglich auf die Bodenplatte und befestigen Sie dann das andere Ende des Schleifpapiers.

Überprüfen Sie das Schleifpapier und stellen Sie immer sicher, dass das Schleifpapier fest auf der Bodenplatte und unter den beiden Verriegelungsvorrichtungen befestigt.

- Sandpapier mit Reifen & Schleifensystem  
Richten Sie das Schleifpapier von Hand aus und drücken Sie es direkt auf die Bodenplatte. Drücken Sie den Schleifer mit Schleifpapier fest auf eine ebene Fläche, um sicherzustellen, dass er gesichert ist. Die Löcher im Schleifpapier und im Untergrund sollten ausgerichtet sein.

### 2. EIN- UND AUSBAU DER STAUBBOX (SIEHE ABB. C)

Ihr Schleifer ist mit einer Staubbox ausgestattet. Setzen Sie zur Installation die Staubbox in den hinteren Staubsammelanschluss ein, bis sie sicher ist. Drücken Sie zum Entfernen die Entriegelungshebel (a) auf beiden Seiten des Staubkastens und schieben Sie den Staubkasten heraus.



**ACHTUNG: Versuchen Sie nicht, die Schleifmaschine zu verwenden, ohne die Staubbox ordnungsgemäß zu installieren, um zu verhindern, dass Schleifstaub oder Fremdkörper in Ihr Gesicht oder Ihre Augen gelangen.**

### 3. LEEREN SIE DIE STAUBKISTE (SIEHE ABB. D)

Leeren Sie den Staubkasten alle 5-10 Minuten, um effizienter zu arbeiten. Dadurch kann die Luft besser durch die Box strömen. Leeren Sie die Staubbox, nehmen Sie sie zuerst aus dem Staubsammelanschluss und drücken Sie dann den Knopf auf der Rückseite der Staubbox, um die Rückseite der Staubbox zu öffnen. Schütteln Sie dann den Staubbeutel.

### 4. BEFESTIGEN DES SCHLEIFERS AM VAKUUM (SIEHE ABB. E)

Ihre Schleifmaschine ist mit einem Vakuum-Adapter ausgestattet, der für die Staubabsaugung vorgesehen ist. Stecken Sie den Vakuumadapter in die hintere Staubsammelöffnung und stellen Sie sicher, dass er fest angezogen. Schließen Sie dann den Adapter an den Schlauch eines Staubsaugers an.

Während des Gebrauchs schalten Sie bitte zuerst den Staubsauger und dann die Schleifmaschine ein. Wenn Sie mit dem Schleifen aufhören, schalten Sie zuerst die Schleifmaschine und dann den Staubsauger aus.

**HINWEIS:** Bitte schließen Sie den Adapter immer mit einem 35 mm Saugschlauch an.

## BETRIEB

### 1. BEDienung DES EIN-/AUSSCHALTERS (SIEHE ABB. F)

Schieben Sie den Ein / Ausschalter zum Betrieb nach vorne und zum Stoppen nach hinten.

### 2. VARIABLE GESCHWINDIGKEITSREGELUNG (SIEHE ABB. G)

Durch variable Geschwindigkeitsregelung kann die gewünschte Geschwindigkeit (Laufzeit) ausgewählt werden. Die erforderliche Geschwindigkeit ist materialabhängig und kann durch praktische Prüfung ermittelt werden.

### 3. PAPIERLÖCHER-STANZUNG (SIEHE ABB. H)

Wenn Sie Sandpapier ohne Staublöcher verwenden, sollten Sie zuerst Löcher mit perforiertem Papier stanzen, um eine ordnungsgemäße Staubentfernung zu gewährleisten. Legen Sie den Locher so auf die Grundplatte, dass die Seite des Lochers mit der Kante der Grundplatte ausgerichtet. Drücken Sie den Locher in die Grundplatte, um Löcher in das Schleifpapier zu bohren. Entfernen Sie dann den Stempel und überprüfen Sie, ob alle Löcher richtig geformt sind.

### 4. VERWENDUNG DES SANDERS

Das zu polierende Werkstück muss fixiert sein. Wenn es klein ist oder sich während des Schleifens bewegen kann, muss es in einem Schraubstock befestigt oder richtig festgeklemmt werden. Stellen Sie sicher, dass Sie den Schleifer festhalten, während Sie den Schleifer einschalten, und bringen Sie ihn dann vorsichtig auf dem Werkstück an, das beim ersten Berühren „trete“ kann. Halten Sie den Schleifer so, dass er flach auf dem Werkstück liegt und sich langsam bewegt, vorzugsweise in einer gleichmäßigen Kreisbewegung. Überprüfen Sie regelmäßig den Zustand des Schleifpapiers und ersetzen Sie es nach dem Tragen, um die besten Ergebnisse zu erzielen.

## TIPPS ZUM ARBEITEN MIT SCHWINGSCHLEIFERN

1. Die Maschine kann beim Arbeiten mit niedrigen Geschwindigkeiten heiß werden. Lassen Sie sie in einem solchen Fall 2 bis 3 Minuten mit maximaler Drehzahl laufen, damit der Motor abkühlen kann. Vermeiden Sie Dauerbetrieb bei sehr niedrigen Drehzahlen. Verwenden Sie immer ein Schleifpapier, das für das zu schleifende Material geeignet ist.
2. Das Werkstück muss bei allen Arbeiten sicher befestigt oder festgeklemmt werden, damit es nicht verrutschen kann.
3. Jede Bewegung des Materials beeinträchtigt das Schleifergebnis.
4. Schalten Sie den Schwingschleifer ein, ehe Sie mit dem Schleifen beginnen und schalten Sie ihn aus, wenn Sie fertig sind. Optimale Ergebnisse erzielen Sie, wenn Sie das Holz in Richtung seiner Maserung bearbeiten.
5. Verwenden Sie das Gerät niemals ohne Schleifpapier.
6. Wechseln Sie das Schleifpapier rechtzeitig, andernfalls kann die Schleifplatte beschädigt werden. Der normale Verschleiß der Schleifplatte wird nicht von der Garantie abgedeckt.
7. Verwenden Sie kleine (grobe) Körnungen für rauh Oberflächen, mittlere Körnungen für bereits geglättete Oberflächen und hohe (feine) Körnungen für die Endbearbeitung der Oberfläche. Gegebenenfalls sollten Sie zuerst einen Test auf einem Probestück ausführen.
8. Verwenden Sie nur hochwertiges Schleifpapier.
9. Die Abtragung hängt allein von der Qualität des Schleifpapiers ab, nicht von dem Druck, den Sie

anwenden. Übermäßig hoher Druck belastet den Motor unnötig und beeinträchtigt die Lebensdauer des Schleifpapiers. Ersetzen Sie das Schleifpapier regelmäßig, um eine optimale Schleifleistung zu erhalten.

## WARTUNG


**Ziehen Sie grundsätzlich den Netzstecker, bevor Sie Einstell-, Reparatur- oder Wartungstätigkeiten ausführen.** Ihr Werkzeug benötigt keine zusätzliche Schmierung oder Wartung.

Es enthält keine Teile, die Sie warten müssen. Reinigen Sie Ihr Werkzeug niemals mit Wasser oder chemischen Lösungsmitteln. Wischen Sie es mit einem trockenen Tuch sauber. Lagern Sie Ihr Werkzeug immer an einem trockenen Platz. Sorgen Sie dafür, dass bei staubigen Arbeiten die Lüftungsöffnungen frei sind. Falls es erforderlich sein sollte, den Staub zu entfernen, trennen Sie zuerst das Elektrowerkzeug vom Stromversorgungsnetz. Verwenden Sie nichtmetallische Objekte zum Entfernen von Staub und vermeiden Sie das Beschädigen innerer Teile. Gelegentlich sind durch die Lüftungsschlitze hindurch Funken zu sehen. Dies ist normal und wird Ihr Werkzeug nicht beschädigen. Wenn ein Ersatz von Stecker oder Anschlussleitung erforderlich ist, dann ist dies von unserer Servicestelle oder einer Elektrofachwerkstatt durchzuführen, um Sicherheitsgefährdungen zu vermeiden. Lassen Sie Reparaturen nur durch unsere Servicestelle oder durch eine Fachwerkstatt mit Originalersatzteilen durchführen.

## FEHLERBEHEBUNG

1. Wenn Ihr Schleifer nicht funktioniert, überprüfen Sie bitte die Stromversorgung des Netzsteckers.
2. Wenn der Schleifer die Oberfläche nicht zerkratzt, überprüfen Sie das Schleifpapier. Wenn das Schleifpapier abgenutzt, ersetzen Sie es durch neues Papier und versuchen Sie es erneut. Das Papier muss an einem trockenen Ort aufbewahrt werden. Wenn es nass ist, verlieren die Schleifpartikel ihre Haftung auf dem Trägerpapier und verschleifen nicht.
3. Wenn sich der Schleifer nicht reibungslos bewegt, kann sich das Schleifpapier lösen, beschädigt oder zerknittert werden.  
Ersetzen und erneut versuchen.
4. Wenn der Fehler nicht behoben werden kann, senden Sie die Schleifmaschine zur Reparatur an einen autorisierten Händler.

## UMWELTSCHUTZ

 Elektroprodukte dürfen nicht mit dem normalen Haushaltsmüll entsorgt werden, sondern sollten nach Möglichkeit zu einer Recyclingstelle gebracht werden. Ihre zuständigen Behörden oder Ihr Fachhändler geben Ihnen hierzu gerne Auskunft.

## KONFORMITÄTSERKLÄRUNG

Wir,  
POSITEC Germany GmbH  
Postfach 32 02 16, 50796 Cologne, Germany

erklären hiermit, dass unser Produkt  
Beschreibung: **1/3 Schwingschleifer**  
Typ: **DX45 (45-Bezeichnung der Maschine, repräsentiert die Schwingschleifer)**  
Funktionen: **Entfernen von Oberflächenmaterial mithilfe eines Schleifmittels**

den Bestimmungen der folgenden Richtlinien entspricht:  
**2006/42/EC, 2014/30/EU, 2011/65/EU&(EU)2015/863**

Werte nach  
**EN 55014-1, EN 55014-2, EN 62841-1, EN 62841-2-4, EN IEC 61000-3-2, EN 61000-3-3**

Zur Kompilierung der technischen Datei ermächtigte Person  
**Name Marcel Filz**  
**Anschrift POSITEC Germany GmbH**  
**Postfach 32 02 16, 50796 Cologne, Germany**



2023/04/16  
Allen Ding  
Stellvertretender Chefindgenieur,  
Prüfung und Zertifizierung  
Positec Technology (China) Co., Ltd  
18, Dongwang Road, Suzhou Industrial  
Park, Jiangsu 215123, P. R. China

# NOTICE ORIGINALE

## SÉCURITÉ DU PRODUIT

### AVERTISSEMENTS DE SÉCURITÉ GÉNÉRAUX POUR L'OUTIL



**AVERTISSEMENT:** Lire l'ensemble des mises en garde, instructions, illustrations et spécifications fourni avec cet outil électrique. Ne pas suivre toutes les instructions énumérées ci-dessous peut conduire à une électrocution, un incendie et / ou des blessures graves.

Conserver tous les avertissements et toutes les instructions pour pouvoir s'y reporter ultérieurement.

Le terme «outil» dans les avertissements fait référence à votre outil électrique alimenté par le secteur (avec cordon d'alimentation) ou votre outil fonctionnant sur batterie (sans cordon d'alimentation).

- 1) **Sécurité de la zone de travail**
  - a) **Conserv**er la zone de travail propre et bien éclairée. Les zones en désordre ou sombres sont propices aux accidents.
  - b) **Ne pas faire fonctionner les outils électriques en atmosphère explosive, par exemple en présence de liquides inflammables, de gaz ou de poussières. Les outils électriques produisent des étincelles qui peuvent enflammer les poussières ou les fumées.**
  - c) **Maintenir les enfants et les personnes présentes à l'écart pendant l'utilisation de l'outil. Les distractions peuvent vous faire perdre le contrôle de l'outil.**
- 2) **Sécurité électrique**
  - a) **Il faut que les fiches de l'outil électrique soient adaptées au socle. Ne jamais modifier la fiche de quelque façon que ce soit. Ne pas utiliser d'adaptateurs avec des outils à branchement de terre. Des fiches non modifiées et des socles adaptés réduiront le risque de choc électrique.**
  - b) **Éviter tout contact du corps avec des surfaces reliées à la terre telles que les tuyaux, les radiateurs, les cuisinières et les réfrigérateurs. Il existe un risque accru de choc électrique si votre corps est relié à la terre.**
  - c) **Ne pas exposer les outils à la pluie ou à des conditions humides. La pénétration d'eau à l'intérieur d'un outil augmentera le risque de choc électrique.**
  - d) **Ne pas maltraiter le cordon. Ne jamais utiliser le cordon pour porter, tirer ou débrancher l'outil. Maintenir le cordon à l'écart de la chaleur, du lubrifiant, des arêtes ou des parties en mouvement. Des cordons endommagés ou emmêlés augmentent le risque de choc électrique.**
  - e) **Lorsqu'on utilise un outil à l'extérieur, utiliser un prolongateur adapté à l'utilisation extérieure. L'utilisation d'un cordon adapté à l'utilisation extérieure réduit le risque de choc électrique.**
  - f) **Si l'usage d'un outil dans un emplacement humide est inévitable, utiliser une alimentation protégée par un dispositif à courant différentiel résiduel (DDR). L'usage d'un DDR réduit le risque de choc électrique.**
- 3) **Sécurité des personnes**
  - a) **Restez vigilant, regardez ce que vous êtes en train de faire et faites preuve de bon sens dans votre utilisation de l'outil. Ne pas utiliser un outil lorsque vous êtes fatigué ou sous l'emprise de drogues, d'alcool ou de médicaments. Un moment d'inattention en cours d'utilisation d'un outil peut entraîner des blessures graves des personnes.**
  - b) **Utiliser un équipement de sécurité. Toujours porter une**

  - protection pour les yeux. Les équipements de sécurité tels que les masques contre les poussières, les chaussures de sécurité antidérapantes, les casques ou les protections acoustiques utilisés pour les conditions appropriées réduiront les blessures de personnes.**
  - c) **Éviter tout démarrage intempestif. S'assurer que l'interrupteur est en position arrêté avant de brancher l'outil au secteur et/ou au bloc de batteries, de le ramasser ou de le porter. Porter les outils en ayant le doigt sur l'interrupteur ou brancher des outils dont l'interrupteur est en position marche est source d'accidents.**
  - d) **Retirer toute clé de réglage avant de mettre l'outil en marche. Une clé laissée fixée sur une partie tournante de l'outil peut donner lieu à des blessures de personnes.**
  - e) **Ne pas se précipiter. Garder une position et un équilibre adaptés à tout moment. Cela permet un meilleur contrôle de l'outil dans des situations inattendues.**
  - f) **S'habiller de manière adaptée. Ne pas porter de vêtements amples ou de bijoux. Garder les cheveux et les vêtements à distance des parties en mouvement. Des vêtements amples, des bijoux ou les cheveux longs peuvent être pris dans des parties en mouvement.**
  - g) **Si des dispositifs sont fournis pour le raccordement d'équipements pour l'extraction et la récupération des poussières, s'assurer qu'ils sont connectés et correctement utilisés. Utiliser des collecteurs de poussière peut réduire les risques dus aux poussières.**
  - h) **Ne pas laisser les habitudes acquises au cours d'une utilisation fréquente des outils nous rendre complaisants et ignorer les principes de sécurité de l'outil. Une action imprudente peut entraîner des blessures graves en une fraction de seconde.**

  - 4) **Utilisation et entretien de l'outil**
    - a) **Ne pas forcer l'outil. Utiliser l'outil adapté à votre application. L'outil adapté réalisera mieux le travail et de manière plus sûre au régime pour lequel il a été construit.**
    - b) **Ne pas utiliser l'outil si l'interrupteur ne permet pas de passer de l'état de marche à arrêté et vice versa. Tout outil qui ne peut pas être commandé par l'interrupteur est dangereux et il faut le réparer.**
    - c) **Débrancher la prise de la source d'alimentation et / ou retirer la batterie, si elle est amovible, de l'outil, avant tout réglage, changement d'accessoires ou avant de ranger l'outil. De telles mesures de sécurité préventives réduisent le risque de démarrage accidentel de l'outil.**
    - d) **Conserv**er les outils à l'arrêt hors de la portée des enfants et ne pas permettre à des personnes ne connaissant pas l'outil ou les présentes instructions de le faire fonctionner. Les outils sont dangereux entre les mains d'utilisateurs novices.
    - e) **Entretien** des outils et accessoires électriques. Vérifier qu'il n'y a pas de mauvais alignement ou de blocage des parties mobiles, des pièces cassées ou toute autre condition pouvant affecter le fonctionnement de l'outil. En cas de dommages, faire réparer l'outil avant de l'utiliser. De nombreux accidents sont dus à des outils mal entretenus.
    - f) **Garder affûtés et propres les outils permettant de couper. Des outils destinés à couper correctement entretenus avec des pièces coupantes tranchantes sont moins susceptibles de bloquer et sont plus faciles à contrôler.**
    - g) **Utiliser l'outil, les accessoires et les lames etc., conformément à ces instructions, en tenant compte des conditions de travail et du travail à réaliser. L'utilisation de l'outil pour des opérations différentes de celles prévues pourrait donner lieu à des situations dangereuses.**
    - h) **Maintenir les poignées et les surfaces de préhension sèches, propres et exemptes d'huile et de graisse. Des**

poignées et surfaces de préhension glissantes ne permettent pas une manipulation et un contrôle de l'outil en toute sécurité en cas d'imprévu.

#### 5) Maintenance et entretien

a) **Faire entretenir l'outil par un réparateur qualifié utilisant uniquement des pièces de rechange identiques. Cela assurera le maintien de la sécurité de l'outil.**



Porter une protection pour les yeux



Porter un masque contre la poussière



Classe de protection

## SYMBOLES



Pour réduire le risque de blessure, l'utilisateur doit lire le mode d'emploi.



AVERTISSEMENT



Porter une protection pour les oreilles




Les déchets d'équipements électriques et électroniques ne doivent pas être déposés avec les ordures ménagères. Ils doivent être collectés pour être recyclés dans des centres spécialisés. Consultez les autorités locales ou votre revendeur pour obtenir des renseignements sur l'organisation de la collecte.

## LISTE DES COMPOSANTS

1. CONTRÔLE DE VITESSE VARIABLE
2. BOUTON ON / OFF
3. ZONE DE PREHENSION
4. BOÎTE À POUSSIÈRE
5. LEVIER DE PINCE DE PAPIER DE PONÇAGE
6. VERROU DU LEVIER DE PINCE
7. PLAQUE DE BASE EN ALUMINIUM
8. PERFORATEUR DE PAPIER
9. PAPIER DE PONÇAGE
10. ADAPTATEUR À VIDE
11. SORTIE D'EXTRACTION DE POUSSIÈRE (VOIR FIG. C)

## DONNÉES TECHNIQUES

Type DX45 (45-désignations des pièces, illustration de la ponceuse vibrante)

Tension nominale	220-240V~50/60Hz
Puissance nominale	240W
Vitesse sans chargement	6000-11000/min
Classe de protection	 /II
Taille de la plaque de base	90*187mm
Diamètre d'amplitude	1.6mm
Poids de la machine	1.63kg

## INFORMATIONS RELATIVES AU BRUIT

Niveau de pression acoustique	$L_{pA} = 78 \text{ dB(A)}$
Niveau de puissance acoustique	$L_{wA} = 89 \text{ dB(A)}$

## INFORMATIONS RELATIVES AUX VIBRATIONS

Valeurs totales de vibration (somme du vecteur triaxial) déterminées selon la norme EN 62841:

Valeur d'émission de vibrations

$$a_h = 6,0 \text{ m/s}^2$$

$$\text{Incertitude } K = 1.5 \text{ m/s}^2$$

La valeur totale de vibration déclarée et la valeur d'émission de bruit déclarée ont été mesurées conformément à la méthode d'essai standard et peuvent être utilisées pour comparer un outil à un autre.

La valeur totale de vibration déclarée et la valeur d'émission de bruit déclarée peuvent également être utilisées lors d'une évaluation préliminaire de l'exposition.



**AVERTISSEMENT:** les vibrations et les émissions de bruit au cours de l'utilisation réelle de l'outil électrique peuvent varier de la valeur déclarée en fonction du mode d'utilisation de l'outil, en particulier du type de pièce traité selon les exemples suivants et d'autres variations concernant le mode d'utilisation de l'outil:

Comment l'outil est utilisé et quels matériaux sont coupés ou percés.

L'outil est en bon état et bien entretenu.

L'utilisation du bon accessoire pour l'outil et l'assurance qu'il est affûté et en bon état.

La force avec laquelle vous serrez les poignées et l'utilisation éventuelle d'un quelconque accessoire anti-bruit et anti-vibration.

Et l'outil est utilisé comme prévu dans sa conception et dans les présentes instructions.

**Cet outil peut causer un syndrome de vibration du bras et de la main s'il n'est pas correctement géré.**



**AVERTISSEMENT:** Pour être précise, une évaluation du niveau d'exposition en conditions réelles d'utilisation doit également tenir compte de toutes les parties du cycle d'utilisation telles que les moments où l'outil est éteint, et ceux où il fonctionne au ralenti mais ne réalise pas réellement de tâche. Ceci peut réduire de façon significative le niveau d'exposition et la période de fonctionnement totale.

Facteurs contribuant à minimiser votre risque d'exposition aux vibrations et au bruit.

Utilisez TOUJOURS des ciseaux, des forets et des lames affûtés.

Entretenez cet outil en accord avec les présentes instructions et maintenez-le lubrifié (si approprié).

Si l'outil doit être fréquemment utilisé, investissez dans des accessoires anti-bruit et anti-vibration.

Planifiez votre travail pour étaler toute utilisation d'outil à fortes vibrations sur plusieurs jours.

## ACCESSOIRES

Perforateur de papier	1
Adaptateur à vide	1
Papier abrasif à pince grain 80	1
Boîte à poussière	1

Nous recommandons d'acheter tous les accessoires dans le magasin d'acquisition de l'outil. Pour plus d'informations, se référer à l'emballage des accessoires. Le personnel du magasin est également là pour vous conseiller.

## MODE D'EMPLOI



**REMARQUE:** Avant d'utiliser l'outil, lisez attentivement le manuel d'utilisation.

### UTILISATION PRÉVUE

La machine est destinée au ponçage à sec du bois, du plastique, des enduits et des surfaces revêtues.

### ASSEMBLAGE

#### 1. MONTAGE DU PAPIER DE PONÇAGE (VOIR FIG. A, B)

- Papier abrasif sans système auto-agrippant

Soulevez le levier de serrage du papier abrasif et éloignez-le du verrou du levier de serrage. Répétez l'opération avec l'autre levier de serrage du côté opposé.

Insérez environ 5 mm d'une extrémité du papier abrasif sous le levier de serrage du papier abrasif. Soulevez à nouveau le levier de serrage du papier abrasif et remettez-le en position

de verrouillage du levier de serrage pour verrouiller le papier. Appuyez sur le papier de ponçage autour de la plaque de base aussi serré que possible et fixez l'autre extrémité du papier de ponçage.

Vérifiez le papier abrasif et assurez-vous qu'il est bien serré sur la plaque de base et fixé sous les deux pinces verrouillées.

- Papier abrasif avec système auto-agrippant

Alignez et enfoncez directement le papier abrasif sur la plaque de base à la main. Appuyez fermement la ponceuse avec le papier de ponçage contre une surface plane pour vous assurer que le papier est bien fixé. Les trous sur le papier abrasif et la plaque de base doivent être bien alignés.

#### 2. MONTAGE ET RETRAIT DE LA BOÎTE À POUSSIÈRE (VOIR FIG. C)

Votre ponceuse est équipée d'une boîte à poussière. Pour le fixer, insérez la boîte à poussière dans la sortie d'aspiration arrière jusqu'à ce qu'elle soit bien fixé. Pour la retirer, appuyez sur le levier de dégagement (a) des deux côtés de la boîte à

poussière et la faites glisser vers l'extérieur.



**MISE EN GARDE:** Pour éviter la possibilité de projection de poussière ou de pièce étrangère sur votre visage ou vos yeux, n'essayez jamais d'utiliser votre ponceuse sans la boîte à poussière correctement installée.

### 3. VIDER LA BOÎTE À POUSSIÈRE (VOIR FIG. D)

Pour un fonctionnement plus efficace, videz la boîte à poussière toutes les 5 à 10 minutes. Cela permettra à l'air de mieux circuler dans la boîte.

Pour vider la boîte à poussière, retirez-la d'abord de la sortie d'aspiration des poussières, appuyez sur le bouton à l'arrière de la boîte pour ouvrir l'arrière, puis vous pourrez secouer la poussière.

### 4. FIXATION DE LA PONCEUSE AVEC ASPIRATEUR (VOIR FIG. E)

Votre ponceuse est équipée d'un adaptateur d'aspirateur, conçu pour collecter la poussière. Insérez l'adaptateur d'aspirateur dans la sortie d'aspiration arrière et assurez-vous qu'il est bien serré. Connectez ensuite l'adaptateur au tuyau d'un aspirateur. Pendant l'utilisation, veuillez d'abord allumer l'aspirateur, puis allumer la ponceuse. Si vous arrêtez de poncer, éteignez d'abord la ponceuse, puis votre aspirateur.

**REMARQUE:** Veuillez toujours connecter l'adaptateur avec un tuyau à vide de 35 mm.

## OPÉRATION

### 1. UTILISATION DE L'INTERRUPTEUR MARCHE / ARRÊT (VOIR FIG. F)

Faites glisser l'interrupteur marche / arrêt vers l'avant pour le fonctionnement, et faites-le glisser vers l'arrière pour arrêter.

### 2. COMMANDE DE VITESSE VARIABLE (VOIR FIG. G)

Avec la commande de vitesse variable, la vitesse requise peut être sélectionnée (également pendant la course). La vitesse requise dépend du matériau et doit être déterminée par un essai pratique.

### 3. POINÇON À TROU SUR PAPIER (VOIR FIG. H)

Si vous utilisez du papier abrasif sans trous de poussière, vous devez d'abord utiliser le perforateur de papier pour perforer les trous afin d'assurer une extraction correcte de la poussière. Positionnez le poinçon sur la plaque de base avec les côtés du poinçon alignés avec les bords. Appuyez sur le poinçon dans la plaque de base pour percer des trous dans le papier de ponçage. Retirez ensuite le poinçon et vérifiez que tous les trous ont été correctement formés.

### 4. UTILISATION DE LA PONCEUSE

La pièce à poncer doit être sécurisée. S'il est petit ou qu'il peut bouger pendant le ponçage, il doit être maintenu dans un état ou bien serré.

Assurez-vous de tenir fermement la ponceuse pendant qu'elle est allumée et de l'appliquer doucement sur le travail, elle pourrait « donner des coups » sur le premier contact. Tenez la ponceuse de manière à ce qu'elle repose à plat sur la pièce et déplacez-la lentement, de préférence avec un mouvement circulaire régulier. Vérifiez régulièrement l'état du papier abrasif et remplacez-le lorsqu'il est utilisé pour de meilleurs résultats.

## CONSEILS DE FONCTIONNEMENT POUR VOTRE PONCEUSE DE FINITION

1. Si votre outil électrique s'échauffe trop, en particulier quand il est utilisé à une vitesse faible, réglez la vitesse au maximum et faites tourner votre ponceuse à vide pendant 2 à 3 minutes pour refroidir le moteur. Éviter l'utilisation prolongée à des vitesses très faibles. Utilisez toujours du papier de verre adapté au matériau que vous voulez poncer.
2. Assurez-vous toujours que la pièce à usiner est bien maintenue ou fixée pour empêcher le mouvement.
3. Tout mouvement du matériau pourrait nuire à la qualité du ponçage de finition.
4. Mettez votre ponceuse en marche avant le ponçage et ne l'éteignez que quand vous avez fini de poncer. Pour des résultats optimaux, ponchez le bois dans le sens du grain.
5. Ne commencez pas à poncer avant d'avoir ajusté le papier de verre.
6. Ne laissez pas le papier de verre s'user, car cela endommagerait la plaque de base. La garantie ne couvre pas l'usure normale de la plaque de base.
7. Utilisez du papier à gros grain pour poncer les surfaces rugueuses, du papier à grain moyen pour les surfaces lisses et du papier à grain fin pour les surfaces finales. Au besoin, faites d'abord un essai sur la matière mise au rebut.
8. N'utilisez que du papier de verre de bonne qualité.
9. C'est le papier de verre qui commande l'efficacité du ponçage et non la force que vous appliquez sur l'outil. Une force excessive réduira l'efficacité du ponçage et entraînera une surcharge du moteur. Remplacez le papier de verre régulièrement pour maintenir une efficacité de ponçage optimale.

## ENTRETIEN

**Retirer la fiche de la prise avant de procéder à un réglage, une réparation ou un entretien.**

L'outil motorisé ne requiert pas de graissage ou d'entretien supplémentaire. Il n'y a pas de pièces réparables par l'utilisateur dans cet outil. Ne jamais utiliser d'eau ou de nettoyeurs chimiques pour nettoyer l'outil. Nettoyer avec un chiffon sec. Toujours conserver l'outil motorisé dans un endroit sec. Maintenir les fentes de ventilation du moteur propres. Empêcher que les commandes de marche soient couvertes de sciure. Il est normal que des étincelles soient visibles dans les fentes de ventilation, cela n'endommagera pas l'outil motorisé. Si l'alimentation est endommagée, elle doit être remplacée par le fabricant, son agent de maintenance ou une personne qualifiée de façon similaire, afin d'éviter tout danger.

## DÉPANNAGE

1. Si votre ponceuse ne fonctionne pas, vérifiez l'alimentation à la prise principale.
2. Si la ponceuse n'abrase pas la surface, vérifiez le papier de ponçage. Si le papier abrasif a été usé, remplacez le nouveau papier et réessayez. Le papier doit être conservé dans un endroit sec, s'il est laissé humide, les particules abrasives perdront leur adhérence au papier support et n'abaseront pas.
3. Si la ponceuse ne bouge pas correctement, le papier de ponçage peut être lâche, endommagé ou froissé. Remplacez et réessayez.
4. Si un défaut ne peut être corrigé, renvoyez la ponceuse à un revendeur agréé pour réparation.



## PROTECTION DE L'ENVIRONNEMENT



Les déchets d'équipements électriques et électroniques ne doivent pas être déposés avec les ordures ménagères. Ils doivent être collectés pour être recyclés dans des centres spécialisés. Consultez les autorités locales ou votre revendeur pour obtenir des renseignements sur l'organisation de la collecte.

## DÉCLARATION DE CONFORMITÉ

Nous,  
POSITEC Germany GmbH  
Postfach 32 02 16, 50796 Cologne, Germany

Déclarons que ce produit,  
Description: **Ponceuse 1/3 de feuille**  
Typ: **DX45 (45-désignations des pièces, illustration de la Ponceuse vibrante)**  
Fonctions: **Élimination de matériau de surface avec un abrasif**

Est conforme aux directives suivantes,  
**2006/42/EC, 2014/30/EU, 2011/65/EU&(EU)2015/863**

et conforme aux normes  
**EN 55014-1, EN 55014-2, EN 62841-1, EN 62841-2-4, EN IEC 61000-3-2, EN 61000-3-3**

La personne autorisée à compiler le dossier technique,

**Nom** Marcel Filz  
**Adresse** POSITEC Germany GmbH  
Postfach 32 02 16, 50796 Cologne, Germany



2023/04/16  
Allen Ding  
Ingénieur en chef adjoint, Essais & Certification  
Positec Technology (China) Co., Ltd  
18, Dongwang Road, Suzhou Industrial  
Park, Jiangsu 215123, P. R. China

FR

# ISTRUZIONI ORIGINALI

## SICUREZZA DEL PRODOTTO

### AVVISI GENERALI PER LA SICUREZZA DEGLI UTENSILI A MOTORE



**AVVERTENZA:** Leggere tutte le avvertenze di sicurezza, le istruzioni, le illustrazioni e le specifiche fornite con questo elettrodomestico. La mancata osservanza delle istruzioni elencate di seguito potrebbe provocare una scossa elettrica, un incendio e/o lesioni gravi.

Conservare tutti gli avvisi e le istruzioni per poterli consultare quando necessario.

Il termine «elettrodomestico elettrico» utilizzato di seguito in questo manuale si riferisce a utensili elettrici alimentati dalla rete (con linea di allacciamento), oltre che ad utensili elettrici alimentati a batteria (senza linea di allacciamento).

#### 1) Posto di lavoro

- a) **Mantenere pulito e ordinato il posto di lavoro.** Il disordine e le zone di lavoro non illuminate possono essere fonte di incidenti.
- b) **Evitare d'impiegare l'utensile in ambienti soggetti al rischio di esplosioni nei quali siano presenti liquidi, gas o polveri infiammabili.** Gli utensili elettrici producono scintille che possono incendiare polveri e gas.
- c) **Mantenere lontani i bambini e altre persone durante l'impiego dell'utensile elettrico.** Eventuali distrazioni potranno comportare la perdita di controllo sull'utensile.

#### 2) Sicurezza elettrica

- a) **La spina elettrica dovrà essere adatta alla presa di corrente.** Evitare assolutamente di apportare modifiche alla spina. Non impiegare spine adattatrici assieme a utensili con collegamento a terra. Le spine non modificate e le prese adatte allo scopo riducono il rischio di scosse elettriche.
- b) **Evitare il contatto fisico con superfici collegate a terra, come tubi, apparecchiature per il riscaldamento, cucine elettriche e frigoriferi.** Nel momento in cui il corpo è messo a massa sussiste un maggior rischio di scosse elettriche.
- c) **Custodire l'utensile al riparo dalla pioggia o dall'umidità.** L'eventuale infiltrazione di acqua in un elettrodomestico comporta un aumento del rischio d'insorgenza di scosse elettriche.
- d) **Non usare il cavo di alimentazione per scopi diversi da quelli previsti, al fine di trasportare o appendere l'elettrodomestico, oppure per staccare la spina dalla presa di corrente.** Mantenere l'elettrodomestico al riparo da fonti di calore, olio, spigoli o parti di strumenti in movimento. I cavi danneggiati o aggrovigliati aumentano il rischio d'insorgenza di scosse elettriche.
- e) **Qualora si voglia usare l'utensile all'aperto, impiegare solo ed esclusivamente cavi di prolunga omologati per l'impiego all'esterno.** L'uso di un cavo di prolunga omologato per l'impiego all'esterno riduce il rischio d'insorgenza di scosse elettriche.
- f) **Se si deve utilizzare l'elettrodomestico in un luogo umido, utilizzare una fonte di alimentazione dotata di interruttore differenziale.** L'uso di un interruttore differenziale riduce il rischio di folgorazioni elettriche.

#### 3) Sicurezza delle persone

- a) **È importante concentrarsi su ciò che si sta facendo e maneggiare con giudizio l'elettrodomestico e il lavoro.** Non utilizzare l'elettrodomestico quando si è stanchi o sotto l'effetto di alcol, stupefacenti e medicinali. Un attimo di distrazione durante l'uso dell'elettrodomestico potrebbe causare lesioni gravi.
  - b) **Indossare sempre dispositivi di protezione individuale, e guanti protettivi.** Se si avrà cura d'indossare equipaggiamento protettivo individuale come una maschera antipolvere, calzature antiscivolo di sicurezza, elmetto o dispositivi di protezione acustica, a seconda dell'impiego previsto per l'elettrodomestico, si potrà ridurre il rischio di lesioni.
  - c) **Evitare l'avviamento involontario. Controllare che l'interruttore sia nella posizione di spegnimento (off) prima di effettuare il collegamento a una fonte di alimentazione/batteria e prima di sollevare o trasportare l'elettrodomestico.** Il fatto di tenere il dito sopra all'interruttore o di collegare l'utensile acceso all'alimentazione di corrente potrebbe essere causa di incidenti.
  - d) **Togliere gli attrezzi di regolazione o la chiave inglese prima di accendere l'elettrodomestico.** Un attrezzo o una chiave inglese che si trovino in una parte della macchina che sta girando può causare lesioni a persone.
  - e) **È importante non sopravvalutarsi. Avere cura di mettersi in una posizione sicura e di mantenere l'equilibrio.** In tal modo sarà possibile controllare meglio la macchina in situazioni inaspettate.
  - f) **Indossare indumenti adeguati.** Evitare di indossare vestiti lenti o gioielli. Tenere i capelli e gli indumenti lontani dalle parti mobili. Vestiti lenti, gioielli o capelli lunghi potrebbero impigliarsi in parti in movimento.
  - g) **Se sussiste la possibilità di montare dispositivi di aspirazione o di captazione della polvere, assicurarsi che gli stessi siano stati installati correttamente e vengano utilizzati senza errori.** L'impiego dei suddetti dispositivi diminuisce il pericolo rappresentato dalla polvere.
  - h) **Non lasciare che la familiarità acquisita con l'utilizzo frequente dell'elettrodomestico si trasformi in autocompiacimento e trascuratezza dei principi di sicurezza.** Un'azione imprudente può causare lesioni gravi entro una frazione di secondo.
- #### 4) Maneggio e impiego accurato di elettrodomestici
- a) **Non sovraccaricare l'elettrodomestico.** Impiegare l'elettrodomestico adatto per eseguire il lavoro. Utilizzando l'elettrodomestico elettrico adatto si potrà lavorare meglio e con maggior sicurezza nell'ambito della gamma di potenza indicata.
  - b) **Non utilizzare elettrodomestici con interruttori difettosi.** Un elettrodomestico che non si può più accendere o spegnere è pericoloso e dovrà essere riparato.
  - c) **Staccare la spina dalla presa di corrente e/o rimuovere la batteria, se rimovibile, dall'elettrodomestico prima di effettuare qualsiasi regolazione, sostituire gli accessori o riporre gli utensili elettrici.** Tale precauzione eviterà che la macchina possa essere messa in funzione inavvertitamente.
  - d) **Custodire gli elettrodomestici non utilizzati fuori della portata dei bambini.** Non fare usare l'apparecchio a persone non abituate a farlo o che non abbiano letto le presenti istruzioni. Gli elettrodomestici sono pericolosi se utilizzati da persone inesperte.
  - e) **Eseguire la manutenzione di elettrodomestico e accessori.** Verificare che le parti mobili

dell'elettrotensile funzionino perfettamente e non s'inceppino, che non ci siano pezzi rotti o danneggiati al punto tale da limitare la funzione della macchina stessa. **Far riparare le parti danneggiate prima di utilizzare l'elettrotensile.** *Numerosi incidenti vengono causati da elettrotensili la cui manutenzione è stata effettuata in modo poco accurato.*

- f) **Mantenere affilati e puliti gli utensili da taglio.** *Gli utensili da taglio curati con particolare attenzione e con taglienti affilati s'inceppano meno di frequente e sono più facili da condurre.*
- g) **Utilizzare elettrotensili, accessori, attrezzi, ecc. in conformità con le presenti istruzioni e secondo quanto previsto per questo tipo specifico di macchina. Osservare le condizioni di lavoro e il lavoro da eseguire durante l'impiego.** *L'impiego di elettrotensili per usi diversi da quelli consentiti potrà dar luogo a situazioni di pericolo.*
- h) **Mantenere le impugnature e le superfici di presa asciutte, pulite e prive di olio e grasso.** *Le impugnature e le superfici di presa scivolose non permettono l'uso e il controllo sicuri dell'elettrotensile in situazioni impreviste.*
- 5) **Assistenza**
- a) **Fare riparare l'apparecchio esclusivamente da personale specializzato e solo impiegando pezzi di ricambio originali.** *In tal modo potrà essere salvaguardata la sicurezza dell'apparecchio.*

## SIMBOLI



Per ridurre il rischio di lesioni, l'utente deve leggere il manuale di istruzioni



AVVERTENZA



Indossare protezione per le orecchie



Indossare protezione per gli occhi



Indossare una mascherina antipolvere



Doppio Isolamento



I prodotti elettrici non possono essere gettati tra i rifiuti domestici. L'apparecchio da rottamare deve essere portato al centro di riciclaggio per un corretto trattamento. Controllare con le autorità locali o con il rivenditore per localizzare il centro di riciclaggio più vicino.

## ELENCO DEI COMPONENTI

1. CONTROLLO DI VELOCITÀ VARIABILE
2. INTERRUTTORE ACCESO/SPENTO
3. ZONA DI PRESA DELLA MANO
4. SCATOLA DI POLVERE
5. LEVA DI BLOCCAGGIO DELLA CARTA DI CARTA
6. BLOCCO DELLA LEVA DEL BLOCCAGGIO
7. PIASTRA DI BASE IN ALLUMINIO
8. PERFORATORE DI CARTA
9. CARTA ABRASIVA
10. ADATTATORE PER VUOTO
11. USCITA DI POLVERE (VEDI FIG. C)

## DATI TECNICI

Codice DX45 (45-Designazione del macchinario rappresentativo del Levigatrice Orbitale)

Tensione nominale	220-240V~50/60Hz
Potenza nominale	240W
Velocità a vuoto	6000-11000/min
Classe di protezione	□/II
Dimensioni Piastra di Appoggio	90°187mm
Diametro Orbitale	1.6mm
Peso della macchina	1.63kg

## INFORMAZIONI SUL RUMORE

Pressione acustica ponderata A	$L_{pA} = 78 \text{ dB(A)}$
Potenza acustica ponderata A	$L_{WA} = 89 \text{ dB(A)}$
$K_{pA}$ & $K_{WA}$	3.0 dB(A)
<b>Indossare protezione per le orecchie.</b>	

## INFORMAZIONI SULLA VIBRAZIONE

I valori totali di vibrazione (somma vettoriale triassiale) sono determinati secondo lo standard EN 62841:	
Valore di emissione delle vibrazioni	$a_h = 6,0 \text{ m/s}^2$
	Incertezza $K = 1.5 \text{ m/s}^2$

Il valore totale di emissione di vibrazioni dichiarato e il valore di emissioni sonore dichiarati sono stati misurati in base a un metodo di collaudo standard e possono essere utilizzati per il confronto di un utensile con un altro.

Il valore totale di emissione di vibrazioni dichiarato e il valore di emissioni sonore dichiarato possono anche essere utilizzati in una valutazione preliminare dell'esposizione.

**AVVERTENZA:** le emissioni di vibrazioni e sonore durante l'uso effettivo dell'elettrotensile possono differire dal valore dichiarato in base alle modalità con cui esso viene utilizzato. In particolare quale tipo di pezzo viene lavorato dipende dai seguenti fattori e da altre variazioni sulle modalità di utilizzo dell'elettrotensile:

Come viene usato l'elettrotensile e quali sono i materiali tagliati o forati.

Le condizioni e la buona manutenzione dell'elettrotensile.

L'uso dell'accessorio corretto per il taglio e la sua affilatura, nonché le sue buone condizioni.

La tenuta della presa sulle impugnature e se vengono utilizzati eventuali accessori antivibrazioni e antirumore.

L'adeguatezza dell'utilizzo dell'elettrotensile rispetto a quanto previsto.

**Questo elettrotensile potrebbe causare l'insorgenza della sindrome della vibrazione dell'avambraccio se il suo utilizzo non viene gestito correttamente.**

**AVVERTENZA:** per essere precisi, una stima del livello di esposizione nelle attuali condizioni di utilizzo dovrebbe anche tenere conto di tutte le parti del ciclo operativo, come le volte in cui lo strumento viene spento e il tempo in cui viene lasciato girare a vuoto senza realmente fare il suo lavoro. Questo potrebbe ridurre significativamente il livello di esposizione sul periodo di lavoro totale.

Aiuto a minimizzare il rischio di esposizione alle vibrazioni e al rumore.

Usare sempre scalpelli, trapani e lame affilati.

Conservare questo elettrotensile sempre in conformità a queste istruzioni e mantenerlo ben lubrificato (dove appropriato).

Se l'utensile deve essere utilizzato regolarmente, investire in accessori antivibrazioni e antirumore.

Pianificare il lavoro in modo da suddividere i lavori che implicano le maggiori vibrazioni nell'arco di più giorni.

## ACCESSORI

Perforatore di carta	1
Adattatore per vuoto	1
Carta abrasiva con pinza da 80 grana	1
Scatola di polvere	1

Si raccomanda di acquistare tutti gli accessori nello stesso negozio in cui è stato acquistato l'attrezzo. Fare riferimento alla confezione dell'accessorio per altri dettagli. Il personale del negozio può aiutarvi e consigliarvi.

# ISTRUZIONI PER L'USO



**NOTA:** Leggere attentamente il manuale di istruzioni prima di utilizzare l'utensile.

## USO PREVISTO

La macchina viene utilizzata per la molatura a secco di legno, plastica, stucchi e superfici rivestite.

## MONTAGGIO

### 1. MONTAGGIO DELLA LAMA PER SEGA (VEDI FIG. A, B)

- Carta abrasiva senza sistema di gancio & anello  
Sollevare la leva di bloccaggio per carta abrasiva e rimuoverla dal blocco della leva di bloccaggio. Ripetere l'operazione per l'altra leva di bloccaggio sull'altro lato.  
Inserire l'estremità della carta abrasiva a circa 5 mm sotto la leva di bloccaggio della carta abrasiva. Sollevare nuovamente la leva di bloccaggio della carta abrasiva e riportarla nella posizione di blocco della leva del morsetto per bloccare la carta. Premere la carta abrasiva sulla forma della piastra inferiore il più strettamente possibile, quindi fissare l'altra estremità della carta abrasiva.

Controllare la carta abrasiva e assicurarsi sempre che la carta abrasiva sia fissata saldamente sulla piastra inferiore e sotto i due dispositivi di bloccaggio.

- Carta abrasiva con sistema di gancio & anello  
Allineare la carta abrasiva a mano e premerla direttamente sulla piastra inferiore. Utilizzare carta abrasiva per premere con forza la levigatrice su una superficie piana per assicurarsi che sia fissata. I fori nella carta abrasiva e nel supporto devono essere allineati.

### 2. MONTAGGIO E RIMOZIONE DELLA SCATOLA DI LA POLVERE (VEDI FIG. C)

La tua levigatrice è dotata di una scatola di polvere. Per l'installazione, inserire la scatola di polvere nella porta di raccolta polvere posteriore fino a quando non è sicuro. Per rimuoverlo, premere la leva di rilascio (a) su entrambi i lati della scatola di polvere, quindi estrarre la scatola di polvere.



**CAUTELA:** Per evitare che polvere o oggetti estranei penetrino nel viso o negli occhi, non tentare di utilizzare la levigatrice senza installare correttamente la scatola di polvere.

### 3. SVUOTARE LA SCATOLA DI POLVERE (VEDI FIG. D)

Per funzionare in modo più efficiente, svuotare la scatola di polvere ogni 5-10 minuti. Ciò consentirà all'aria di fluire meglio attraverso la scatola.

Svuotare la scatola di polvere, estrarla prima dall'uscita per la polvere, quindi premere il pulsante sul retro della scatola di polvere per aprire il retro della scatola di polvere, quindi agitare il sacchetto.

### 4. ATTACCARE LA SABBIA AL VUOTO (VEDI FIG. E)

La tua levigatrice è dotata di un adattatore sottovuoto che è progettato per raccogliere polvere. Inserire l'adattatore sottovuoto nell'uscita di raccolta della polvere posteriore e assicurarsi che sia ben stretto. Poi connettere l'adattatore al tubo di un aspirapolvere.

Si prega di accendere l'aspirapolvere prima, poi la levigatrice. Se vuoi smettere di levigare, si prega di spegnere prima la levigatrice, poi l'aspirapolvere.

**NOTA:** Connettere sempre l'adattatore con un tubo di aspirazione 35 mm.

## FUNZIONAMENTO

### 1. OPERAZIONE DELL'INTERRUTTORE ACCESO/ SPENTO (VEDI FIG. F)

Far scorrere l'interruttore acceso/ spento in avanti per azionare e scorrere all'indietro per arrestare.

### 2. CONTROLLO DELLA VELOCITÀ VARIABILE (VEDI FIG. G)

Tramite il controllo della velocità variabile, è possibile selezionare la velocità desiderata (anche sta funzionando).

La velocità richiesta dipende dal materiale ed è determinata da prove effettive.

### 3. PERFORATORE DI CARTA (VEDI FIG. H)

Se si utilizza carta abrasiva senza fori per la polvere, è necessario eseguire prima i fori con carta perforata per garantire una corretta rimozione della polvere. Posizionare il perforatore sulla piastra di base in modo che il lato del perforatore sia allineato con il bordo della piastra di base. Premere il perforatore nella piastra di base per praticare fori nella carta abrasiva. Quindi rimuovere il perforatore e verificare che tutti i fori siano correttamente formati.

### 4. UTILIZZANDO LA LEVIGATRICE

Il pezzo da lucidare deve essere fissato. Se è piccolo o può spostarsi durante la levigatura, deve essere fissato in una morsa o bloccato correttamente.

Assicurati di tenere saldamente la levigatrice quando è accesa, quindi applicala delicatamente sul pezzo, che potrebbe "calcicare" quando viene toccato per la prima volta. Afferrare la levigatrice in modo che poggi sul pezzo e si muova lentamente, preferibilmente con un movimento circolare regolare. Controllare regolarmente le condizioni della carta abrasiva e sostituirla dopo l'usura per ottenere i migliori risultati.

## CONSIGLI PRATICI PER L'USO DELLA LEVIGATRICE

- In caso di eccessivo riscaldamento, soprattutto quando la levigatrice viene usata a basse velocità, sarà necessario aumentare al massimo la velocità facendola funzionare in assenza di carico per 2/3 minuti per raffreddare il motore. Evitare l'uso prolungato a velocità molto basse. Usare sempre carta abrasiva adatta al materiale che si desidera trattare.
- Accertarsi sempre che il pezzo da lavorare sia fissato saldamente o serrato con morse onde prevenirne il movimento.
- Qualsiasi spostamento del materiale potrà infatti compromettere la qualità del lavoro di finitura.
- Avviare la levigatrice prima di iniziare il lavoro e spegnerla solo al termine dell'operazione. Per ottenere risultati di qualità superiore, levigare il legno seguendo il senso delle venature.
- Non iniziare la levigatura senza aver prima inserito la carta abrasiva.
- Impedire l'usura eccessiva della carta abrasiva, onde evitare danni alla piastra di appoggio, fra altro non coperti da garanzia.
- Utilizzare carta a grana grossa per lavori di sgrossatura e a grana fine per lavori di finitura. Se necessario, eseguire una prova di levigatura su materiale di scarto.
- Si raccomanda di utilizzare solo carta abrasive di qualità.
- La carta abrasiva è il pre-requisito della qualità della levigatura. Uno sforzo eccessivo potrebbe pregiudicare il risultato e provocare il sovraccarico del motore. Sostituire con regolarità la carta abrasiva ai fini del mantenimento dei livelli di efficienza della levigatrice.

## MANUTENZIONE

**Rimuovere la spina dalla presa di corrente prima di eseguire qualsiasi regolazione, riparazione o manutenzione.**

L'attrezzo non richiede lubrificazione o manutenzione aggiuntiva.

All'interno dell'attrezzo non ci sono parti riparabili da parte dell'utente. Non usare mai acqua o detergenti chimici per pulire l'attrezzo. Pulire con un panno asciutto. Conservare sempre gli attrezzi elettrici in luoghi asciutti. Tenere pulite le aperture di ventilazione del motore. Tenere puliti dalla polvere tutti i controlli operativi. La formazione di scintille all'interno delle aperture di ventilazione, è un fenomeno normale che non crea danni all'attrezzo.

Se il cavo d'alimentazione è danneggiato, deve essere sostituito dal produttore, il suo distributore o persona egualmente qualificata per evitare pericoli.

## RISOLUZIONE DEI PROBLEMI

1. Se la levigatrice non funziona, controllare l'alimentazione sulla spina di alimentazione.
2. Se la levigatrice non graffia la superficie, controllare la carta abrasiva. Se la carta abrasiva è usurata, sostituirla con carta nuova e riprovare. La carta deve essere posizionata in un luogo asciutto, se è bagnata, le particelle abrasive perderanno la loro adesione alla carta di supporto e non si consumeranno.
3. Se la levigatrice non si muove uniformemente, la carta abrasiva potrebbe allentarsi, danneggiarsi o spiegazzarsi. Sostituire e riprovare.
4. Se non è possibile correggere un errore, restituire la levigatrice a un rivenditore autorizzato per la riparazione.

## TUTELA AMBIENTALE



I prodotti elettrici non possono essere gettati tra i rifiuti domestici. L'apparecchio da rottamare deve essere portato al centro di riciclaggio per un corretto trattamento. Controllare con le autorità locali o con il rivenditore per localizzare il centro di riciclaggio più vicino.

## DICHIARAZIONE DI CONFORMITÀ

NOI,  
POSITEC Germany GmbH  
Postfach 32 02 16, 50796 Cologne, Germany

Dichiara che l'apparecchio  
Descrizione: **1/3 Lijadora orbital**  
Codice: **DX45 (45-d)** Designazione del macchinario  
**rappresentativo del Levigatrice Orbitale**  
Funzioni: **Rimuovere il materiale sulla superficie usando un abrasivo medio**

È conforme alle seguenti direttive:  
**2006/42/EC, 2014/30/EU, 2011/65/EU&(EU)2015/863**

Conforme a,  
**EN 55014-1, EN 55014-2, EN 62841-1, EN 62841-2-4, EN IEC 61000-3-2, EN 61000-3-3**

Il responsabile autorizzato alla compilazione della documentazione tecnica,

Nome **Marcel Filz**  
Indirizzo **POSITEC Germany GmbH**  
Postfach 32 02 16, 50796 Cologne, Germany



2023/04/16  
Allen Ding  
Vice capo ingegnere, testing e certificazione  
Positec Technology (China) Co., Ltd  
18, Dongwang Road, Suzhou Industrial  
Park, Jiangsu 215123, P. R. China

# MANUAL ORIGINAL

## SEGURIDAD DEL PRODUCTO

### ADVERTENCIAS DE SEGURIDAD

#### GENERALES SOBRE HERRAMIENTAS ELÉCTRICAS



**ADVERTENCIA:** Lea todas las advertencias de seguridad, instrucciones, ilustraciones y especificaciones que acompañan a esta herramienta eléctrica. Si no se respetan todas las instrucciones que se indican abajo, podría producirse una descarga eléctrica, un incendio o alguien podría resultar herido de gravedad.

Conserve todas las advertencias e instrucciones para futuras consultas.

El término "herramienta eléctrica" en todas las advertencias siguientes corresponde a la herramienta eléctrica con o sin cable.

- 1) Zona de trabajo
  - a) Mantener su lugar de trabajo limpio y bien iluminado. Bancos de trabajo desordenados y lugares oscuros invitan a los accidentes.
  - b) No utilizar herramientas eléctricas en atmósferas explosivas, como por ejemplo en presencia de líquidos inflamables, gases o polvo. Las herramientas eléctricas crean chispas que pueden encender el polvo o los vapores.
  - c) Mantener alejados a los niños y visitantes mientras opera una herramienta eléctrica. Las distracciones pueden hacerle perder el control.
- 2) Seguridad eléctrica
  - a) Los enchufes de la herramienta eléctrica deben encajar perfectamente en el tomacorriente. Nunca modificar el enchufe de ninguna manera. No utilizar adaptadores con herramientas eléctricas conectadas a tierra. Los enchufes no modificados y los que encajan perfectamente en el tomacorriente reducirán el riesgo de descarga eléctrica.
  - b) Evitar el contacto del cuerpo con superficies conectadas a tierra tales como caños, radiadores, cocinas y heladeras. Existe un riesgo creciente de descarga eléctrica si su cuerpo queda conectado a tierra.
  - c) No exponer las herramientas eléctricas a la lluvia y no guardar en lugares húmedos. El agua que penetra en ellas aumentará el riesgo de una descarga eléctrica.
  - d) No abusar del cable. Nunca utilizar el cable para transportar, tirar o desenchufar la herramienta eléctrica. Mantener el cable alejado del calor, del aceite, de bordes agudos o piezas móviles. Los cables dañados o enredados aumentan el riesgo de descarga eléctrica.
  - e) Cuando utilice su herramienta eléctrica al aire libre, emplear un prolongador apto para uso en exteriores. El empleo de cables para uso al aire libre reduce el riesgo de descarga eléctrica.
  - f) Si es necesario utilizar la herramienta motorizada en un lugar muy húmedo, utilice una fuente de alimentación con dispositivo de corriente residual (RCD). El uso de un RCD reduce el riesgo de descarga eléctrica.
- 3) Seguridad personal
  - a) Mantenerse alerta, poner atención en lo que está haciendo y utilice el sentido común mientras opera una herramienta eléctrica. No emplear la herramienta cuando se encuentre cansado o bajo la influencia de drogas, alcohol o medicación. Un momento de falta de atención durante el manejo de herramientas eléctricas puede dar lugar a daños corporales serios.
  - b) Utilizar equipo de seguridad. Usar siempre protección ocular. Equipo de seguridad como máscaras contra el polvo, zapatos antideslizantes de seguridad, sombrero o protección auditiva para condiciones apropiadas reducirá daños corporales.
  - c) Evite el arranque accidental. Asegúrese de que el interruptor se encuentra desactivado antes de enchufar la máquina o colocar la batería, al tomar la herramienta o transportarla. Transportar herramientas con el dedo en el interruptor o enchufar la herramienta cuando el interruptor está encendido invitan a los accidentes.
  - d) Retire llaves de ajuste o llaves inglesas antes de poner la herramienta en funcionamiento. Una llave que queda unida a una pieza móvil de la herramienta puede originar daños corporales.
  - e) No extralimitarse. Mantenerse firme y con buen equilibrio en todo momento. Esto permite un mejor control de la herramienta en situaciones inesperadas.
  - f) Vestirse apropiadamente. No usar ropa suelta ni alhajas. Mantenga el pelo, la ropa y los guantes alejados de las piezas en movimiento. La ropa suelta, las alhajas o el cabello largo pueden ser atrapados por las piezas móviles.
  - g) Si se proporcionan dispositivos para la extracción y recolección de polvo, asegurarse de que estos estén conectados y utilizados correctamente. El uso de estos dispositivos puede reducir peligros relacionados con el polvo.
  - h) No permita que el hecho de estar familiarizado con el uso de herramientas le haga volverse descuidado o ignorar las normas de seguridad. La falta de atención puede provocar heridas graves en una fracción de segundo.
- 4) Mantenimiento de la herramienta motorizada
  - a) No forzar la herramienta eléctrica. Utilizar la herramienta eléctrica correcta para su aplicación. La herramienta eléctrica correcta hará el trabajo mejor y más seguro a la velocidad para la cual fue diseñada.
  - b) No utilizar la herramienta eléctrica si el interruptor no la enciende o apaga. Cualquier herramienta eléctrica que no pueda ser controlada con el interruptor es peligrosa y debe ser reparada.
  - c) Desconecte la clavija de la fuente de alimentación o extraiga la batería (si es desmontable) de la herramienta eléctrica antes de realizar cualquier ajuste, cambiar los accesorios o guardar la herramienta. Tales medidas de seguridad preventivas reducen el riesgo de arranque accidental de la herramienta.
  - d) Mantener las herramientas eléctricas que no usa fuera del alcance de los niños y no permita que personas no familiarizadas con la herramienta o con estas instrucciones maneje la herramienta eléctrica. Las herramientas eléctricas son peligrosas en manos de usuarios inexpertos.
  - e) Realice un mantenimiento adecuado de las herramientas eléctricas y sus accesorios. Comprobar si hay desalineamiento o atascamiento de piezas móviles, rotura de piezas en general y cualquier otra condición que pueda afectar la operación normal de la herramienta. Si se verifican daños, recurra a un servicio calificado antes de volver a usar la herramienta. Las herramientas mal mantenidas causan muchos accidentes.
  - f) Mantener las piezas de corte limpias y afiladas. Puesto que son menos probables de atascarse y más fáciles de controlar.

- g) Utilizar la herramienta eléctrica, accesorios y brocas etc., de acuerdo con estas instrucciones y de la manera prevista para el tipo particular de herramienta eléctrica, teniendo en cuenta las condiciones de trabajo y el trabajo a ser realizado. El uso de la herramienta eléctrica para otras operaciones distintas de lo previsto podría dar lugar a una situación peligrosa.
- h) Mantenga las empuñaduras y las superficies de agarre secas, limpias y sin aceite ni grasa. Una empuñadura o una superficie de agarre resbaladiza dificultan la correcta manipulación y el control de la herramienta en situaciones imprevistas.
- 5) Reparación
- a) Permitir que el mantenimiento de su herramienta eléctrica sea efectuado por una persona calificada usando solamente piezas de recambio idénticas. Esto es primordial para mantener la seguridad de la herramienta eléctrica.



ADVERTENCIA



Utilice protección auditiva



Utilice protección ocular



Utilice una máscara antipolvo



Doble aislamiento



Los residuos de aparatos eléctricos y electrónicos no deben depositarse en la basura doméstica. Se deben reciclar en las instalaciones especializadas. Consulte a las autoridades locales o el establecimiento para saber cómo reciclar estos productos.

## SÍMBOLOS




Para reducir el riesgo de lesión, lea el manual de instrucciones

## LISTA DE COMPONENTES

1. CONTROL DE VELOCIDAD VARIABLE
2. INTERRUPTOR ENCENDIDO / APAGADO
3. ÁREAS DEL MANGO
4. COLECTOR DE POLVO
5. PALANCA DE LA ABRAZADERA DEL PAPEL DE LIJADO
6. BLOQUEO DE LA PALANCA DE LA ABRAZADERA
7. PLACA BASE
8. PERFORADOR DE PAPEL
9. PAPEL DE LIJA
10. ADAPTADOR AL VACÍO
11. SALIDA DE EXTRACCIÓN DE POLVO (VER FIG. C)

## DATOS TÉCNICOS

Modelo DX45 (45-designación de maquinaria, representantes de Lijadora Orbital)

Tensión nominal	220-240V~50/60Hz
Entrada de potencia nominal	240W
Sin velocidad de carga	6000-11000/min
Clase de protección	 /II
Tamaño de placa base	90*187mm
Diámetro de la órbita	1.6mm
Peso de la máquina	1.63kg

## INFORMACIÓN DE RUIDO

Nivel de presión acústica ponderada	$L_{pA} = 78 \text{ dB(A)}$
Nivel de potencia acústica ponderada	$L_{wA} = 89 \text{ dB(A)}$
$K_{pA}$ & $K_{wA}$	3.0 dB(A)
<b>Utilice protección auditiva.</b>	



# INFORMACIÓN SOBRE LAS VIBRACIONES

Valores totales de vibración (suma vectorial triangular) determinados según la norma EN 62841:	
Valor de emisión de vibración	$a_h = 6,0 \text{ m/s}^2$
	Incertidumbre $K = 1.5 \text{ m/s}^2$

El valor total de vibraciones declarado y el valor de emisiones acústicas declarado se han medido de conformidad con un método de prueba estándar y pueden utilizarse para realizar comparaciones entre herramientas.

El valor total de vibraciones declarado y el valor de emisiones acústicas declarado también pueden utilizarse en una evaluación preliminar de la exposición.



**ADVERTENCIA:** Las vibraciones y las emisiones acústicas que se producen durante el uso de la herramienta eléctrica pueden variar respecto a los valores declarados en función de cómo se utilice la herramienta, especialmente dependiendo del tipo de pieza de trabajo que se procese y de otras formas de usar la herramienta:

Cómo se utiliza la herramienta y se cortan o perforan los materiales.

Si la herramienta se encuentra en buenas condiciones de mantenimiento.

Si se utiliza el accesorio correcto para la herramienta y se garantiza que está afilado y en buenas condiciones.

La firmeza de sujeción de las empuñaduras, y el uso de accesorios para reducir las vibraciones y el ruido.

Y si la herramienta se utiliza según su diseño y estas instrucciones.

**Esta herramienta podría causar síndrome de vibración del brazo y la mano si no se utiliza correctamente.**



**ADVERTENCIA:** Para conseguir una mayor precisión, debe tenerse en cuenta una estimación del nivel de exposición en condiciones reales de todas las partes del ciclo de uso, como los tiempos durante los que la herramienta está apagado o cuando está en funcionamiento pero no está realizando ningún trabajo. Ello podría reducir notablemente el nivel de exposición sobre el periodo de carga total.

Minimización del riesgo de exposición a las vibraciones y el ruido.

Utilice SIEMPRE cinceles, brocas y cuchillas afiladas.

Mantenga esta herramienta de acuerdo con estas instrucciones y bien lubricada (si es necesario).

Si la herramienta se va a utilizar de forma habitual, se recomienda adquirir accesorios para reducir las vibraciones y el ruido.

Planifique su programa de trabajo para distribuir el uso de la herramienta a lo largo de varios días.

## ACCESORIOS

Perforadora de papel	1
Adaptador al vacío	1
Papel de lija con abrazadera de grano 80	1
Colector de polvo	1

Recomendamos que adquiera todos sus accesorios en el mismo establecimiento donde compró la herramienta. Consulte los estuches de los accesorios para más detalles. El personal del establecimiento también puede ayudar y aconsejar.

# INSTRUCCIONES



**NOTA:** Antes de utilizar la herramienta, lea atentamente el libro de instrucciones.

## POSIBLE USO

La máquina está diseñada para el lijado en seco de madera, plástico, relleno y superficies recubiertas.

## ENSAMBLAJE

### 1. MONTAJE DE LA HOJA DE LA SIERRA (VER FIG. A, B)

- Lijado de papel sin sistema de gancho y bucle  
Levante la palanca de la abrazadera del papel de lija y aléjela del bloqueo. Repítalo con la otra palanca de sujeción en el lado opuesto.  
Inserte aproximadamente 5 mm de un extremo del papel de lijar debajo de la palanca de sujeción. Levante la palanca de sujeción del papel de lija y muévala nuevamente a la posición de bloqueo de la palanca de sujeción para su bloqueo. Presione el papel de lija alrededor de la forma de la placa base lo más apretado posible y fije el otro extremo del papel de lija.  
Verifique el papel de lija y asegúrese siempre de que esté apretado sobre la placa base y asegurado debajo de ambas abrazaderas bloqueadas.  
- Lijado de papel con sistema de gancho y bucle  
Alinee y presione directamente el papel de lija sobre la placa base con la mano. Presione firmemente la lijadora con el papel de lija contra una superficie plana para asegurar que el papel esté asegurado. Los agujeros en el papel de lija y la placa base deben estar bien alineados.

### 2. MONTAJE Y DESMONTAJE DE LA BOLSA DE POLVO (VER FIG. C)

Su lijadora está equipada con un colector de polvo. Para colocarlo, inserte el colector de polvo en la salida de extracción de polvo trasera hasta que esté asegurada. Para retirarlo, presione la palanca de liberación (a) en ambos lados del colector de polvo y deslícelo hacia afuera.



**PRECAUCIÓN:** Para evitar la posibilidad de que el polvo de lijar o cuerpos extraños salpiquen su cara u ojos, nunca intente usar su lijadora sin el colector de polvo instalada correctamente.

### 3. VACIAR EL COLECTOR DE POLVO (VER LA FIG. D)

Para una operación más eficiente, vacíe el colector de polvo cada 5-10 minutos. Esto permitirá que el aire fluya mejor a través de él.

Para vaciar el colector de polvo, primero retírelo de la salida de extracción del polvo, presione el botón en la parte posterior del colector para abrir su parte posterior, luego puede sacudir el polvo.

### 4. COLOCANDO LA LIJADORA AL VACIO (VER FIG. E)

Su lijadora está equipada con un adaptador de vacío, que está diseñado para tareas de recolección de polvo. Inserte el adaptador de vacío en la salida de extracción de polvo posterior y asegúrese de que esté bien apretado. Luego conecte la manguera de una aspiradora.

Primero encienda la aspiradora y luego encienda la lijadora. Si deja de lijar, primero apague la lijadora, luego apague la aspiradora.

**NOTA:** Conecte siempre el adaptador con una manguera de vacío de 35 mm.

## OPERACIÓN

### 1. INTERRUPTOR DE ENCENDIDO / APAGADO DE SEGURIDAD (VER FIG. F)

Deslice el interruptor de encendido / apagado hacia adelante para el funcionamiento y deslícelo hacia atrás para detenerlo.

### 2. CONTROL DE VELOCIDAD VARIABLE (VER FIG. G)

Con el control de velocidad variable, se puede seleccionar la velocidad requerida (también durante la ejecución). La velocidad requerida depende del material y se determinará mediante un ensayo práctico.

### 3. PERFORADOR DE PAPEL (VER FIG. H)

Si usa papel de lija sin agujeros para el polvo, primero debe usar el punzón de papel para perforar los agujeros y garantizar la extracción correcta del polvo. Coloque el punzón sobre la placa base con los lados del punzón alineados con los bordes de la placa base. Presione el punzón en la placa base para perforar agujeros en el papel de lija. Luego retire el punzón y verifique que todos los agujeros se hayan formado correctamente.

### 4. USO DE LA LIJADORA

La pieza de trabajo a lijar debe estar asegurada. Si es pequeño o puede moverse durante el lijado, debe sujetarse en un tornillo de banco o sujetarse adecuadamente.  
Asegúrese de sostener la lijadora firmemente mientras está encendida y aplíquela suavemente al trabajo, puede "moverse" en el primer contacto. Sostenga la lijadora de manera que quede plana sobre el trabajo y muévala lentamente, preferiblemente con un movimiento suave y circular. Compruebe regularmente el estado del papel de lija y reemplácelo cuando esté desgastado para obtener mejores resultados.

## SUGERENCIAS DE FUNCIONAMIENTO PARA SU LIJADORA DE ACABADO

1. Si su herramienta eléctrica se calienta demasiado, especialmente cuando se usa a baja velocidad, póngala a máxima velocidad y trabaje con ella sin cargar durante 2-3 minutos para enfriar el motor. Evite el uso prolongado de su lijadora a baja velocidad. Use siempre papel de lija adecuado para el material que quiere lijar.
2. Asegúrese de que la pieza sobre la que va a operar se encuentra fuertemente sujeta o fijada para evitar movimientos.
3. Cualquier movimiento del material puede afectar a la calidad del acabado del lijado.
4. Encienda su lijadora antes de lijar y apáguela solo cuando haya terminado de lijar. Para unos mejores resultados, lije la madera en la dirección del grano.
5. Nunca comience a lijar si el papel de lija no está bien ajustado.
6. Impida que su papel de lija se desgaste ya que puede dañar la placa base. La garantía no cubre el desgaste de la placa base.
7. Utilice papel de grano grueso para lijar superficies rugosas, grano medio para superficies suaves y grano fino para los acabados. En caso necesario, haga una prueba sobre material que no vaya a usar.
8. Use únicamente papel de lija de Buena calidad.
9. El papel de lija controla la eficiencia del lijado, no la cantidad de fuerza que aplicará al aparato. Una fuerza excesiva reducirá la eficiencia del lijado y causará una sobrecarga del motor. Sustituya regularmente el papel de lija para mantener un nivel óptimo de eficiencia de lijado.

## MANTENIMIENTO

**Retire el enchufe de la toma de corriente antes de efectuar cualquier ajuste, reparación o mantenimiento.**

Su herramienta eléctrica no requiere de lubricación ni mantenimiento adicional. No posee piezas en su interior que deban ser reparadas por el usuario. Nunca emplee agua o productos químicos para limpiar su herramienta. Use simplemente un paño seco. Guarde siempre su herramienta en un lugar seco. Mantenga limpias las ranuras de ventilación del motor. Mantenga todos los controles de funcionamiento libres de polvo. La observación de chispas que destellan bajo las ranuras de ventilación indica un funcionamiento normal que no dañará su herramienta.

Si el cable de alimentación está dañado deberá ser reemplazado por el fabricante, su agente de servicio o por alguna persona calificada para evitar riesgos.

## SOLUCIÓN DE PROBLEMAS

1. Si su lijadora no funciona, verifique la alimentación en el enchufe de la red.
2. Si la pulidora no desgasta la superficie, verifique el bonete. Si el bonete se ha desgastado, reemplácelo por uno nuevo e inténtelo nuevamente. El papel debe mantenerse en un lugar seco, si se deja que se humedezca, las partículas abrasivas perderán su adhesión al papel de respaldo y no se desgastarán.
3. Si la administración de la lijadora no se hace de manera suave, el papel de lija puede estar suelto, dañado o arrugado. Reemplácelo e inténtelo nuevamente.
4. Si no se puede corregir un fallo, devuelva la lijadora a un distribuidor autorizado para la reparación.

## PROTECCION AMBIENTAL



Los residuos de aparatos eléctricos y electrónicos no deben depositarse en la basura doméstica. Se deben reciclar en las instalaciones especializadas. Consulte a las autoridades locales o el establecimiento para saber cómo reciclar estos productos.

## DECLARACIÓN DE CONFORMIDAD

Los que reciben,  
POSITEC Germany GmbH  
Postfach 32 02 16, 50796 Cologne, Germany

Declaran que el producto,  
Descripción: **1/3 Lijadora orbital**  
Modelo: **DX45 (45-designación de maquinaria, representantes de Lijadora Orbital)**  
Funciones: **Eliminación de material superficial con un medio abrasivo**

Cumple con las siguientes Directivas,  
**2006/42/EC, 2014/30/EU, 2011/65/EU&(EU)2015/863**

Normativas conformes a  
**EN 55014-1, EN 55014-2, EN 62841-1, EN 62841-2-4, EN IEC 61000-3-2, EN 61000-3-3**

La persona autorizada para componer el archivo técnico,

Firma **Marcel Filz**  
Dirección **POSITEC Germany GmbH**  
Postfach 32 02 16, 50796 Cologne, Germany



2023/04/16  
Allen Ding  
Ingeniero Jefe Adjunto. Pruebas y Certificación.  
Positec Technology (China) Co., Ltd  
18, Dongwang Road, Suzhou Industrial  
Park, Jiangsu 215123, P. R. China

ES

# OORSPRONKELIJKE GEBRUIKSAANWIJZING PRODUCTVEILIGHEID ALGEMENE VEILIGHEIDSWAARSCHUWINGEN VOOR VERMOGENSMACHINE



**WAARSCHUWING:** Lees alle veiligheidswaarschuwingen, instructies, illustraties en specificaties die bij dit elektrisch gereedschap worden meegeleverd. Het niet opvolgen van alle onderstaande voorschriften kan tot een elektrische schok, brand en/of ernstig persoonlijk letsel leiden.

Bewaar alle waarschuwingen en instructies voor latere naslag. De term “(elektrisch) gereedschap” in de waarschuwingen hieronder, verwijst naar uw op netspanning werkende gereedschap (met stroomdraad) of uw accugereedschap (draadloos).

## 1) Werkgebied

- a) Houd uw werkgebied schoon en zorg ervoor dat deze goed verlicht is. In rommelige en slecht verlichte werkgebieden gebeuren sneller ongelukken.
- b) Gebruik elektrisch gereedschap niet in explosieve atmosferen, zoals in de nabijheid van ontvlambare vloeistoffen, gasen of stof. Elektrisch gereedschap veroorzaakt vonken die de stof of de gasen kunnen doen ontvlammen.
- c) Houd kinderen en omstanders uit de buurt terwijl u met elektrisch gereedschap werkt. Afdelingen kunnen ervoor zorgen dat u de controle over het gereedschap verliest.

## 2) Elektrische veiligheid

- a) De stekker van het elektrisch gereedschap moet passen in het stopcontact. Pas de stekker op geen enkele manier aan om te zorgen dat hij wel past. Gebruik geen adapterstekkers terwijl u geaard elektrisch gereedschap gebruikt. Onaangepaste stekkers die in het stopcontact passen, verminderen de kans op een elektrische schok.
- b) Vermijd lichamelijk contact met geaarde of gegronde oppervlakken, zoals buizen, radiatoren, fornuizen en koelkasten. Als uw lichaam geaard of geground is, is er een grotere kans op een elektrische schok.
- c) Stel uw elektrische gereedschap niet bloot aan regen of natte omstandigheden. Water dat elektrisch gereedschap kan binnendringen, vergroot de kans op een elektrische schok.
- d) Gebruik de stroomdraad niet op een andere manier dan waarvoor deze gemaakt is. Trek niet aan de stroomdraad, ook niet om de stekker uit het stopcontact te krijgen en draag het gereedschap niet door het aan de stroomdraad vast te houden. Houd de stroomdraad uit de buurt van hitte, olie, scherpe hoeken en bewegende onderdelen. Beschadigde of verwarde stroomdraden vergroten de kans op een elektrische schok.
- e) Wanneer u het elektrische gereedschap buitenshuis gebruikt, dient u te zorgen voor een verlengsnoer dat geschikt is voor gebruik buitenshuis. Het gebruik van een verlengsnoer dat geschikt is voor gebruik buitenshuis, vermindert de kans op een elektrische schok.
- f) Moet een krachtmachine in een vochtige locatie worden gebruikt, gebruik dan een aardlekschakelaar (ALS). Een ALS vermindert het gevaar op elektrische schokken.

## 3) Persoonlijke veiligheid

- a) Blijf alert, kijk waar u mee bezig bent en gebruik uw gezonde verstand wanneer u met elektrisch gereedschap werkt. Gebruik geen elektrisch gereedschap wanneer u moe bent of onder de invloed van drugs, alcohol of medicijnen. Een moment van onoplettendheid bij het gebruik van elektrisch gereedschap kan leiden tot ernstig persoonlijk letsel.
  - b) Gebruik een veiligheidsuitrusting. Draag altijd oogbescherming. Een veiligheidsuitrusting, zoals een stofmasker, schoenen met antislipzolen, een veiligheidshelm, of oorbescherming die onder de juiste omstandigheden gebruikt wordt, vermindert de kans op persoonlijk letsel.
  - c) Pas op dat het apparaat niet onbedoeld wordt gestart. Zorg ervoor dat de schakelaar uit staat voordat u de voeding en/of batterij aansluit, en als u de machine oppakt en draagt. Gereedschap dragen terwijl u uw vinger op de schakelaar houdt, of de stekker in het stopcontact steken terwijl het gereedschap ingeschakeld staat, is vragen om ongelukken.
  - d) Verwijder inbussleutels of moersleutels voordat u het gereedschap inschakelt. Een sleutel die nog in of op een draaiend onderdeel van het elektrische gereedschap zit, kan leiden tot ernstig persoonlijk letsel.
  - e) Werk niet boven uw macht. Zorg er altijd voor dat u stevig staat en goed in balans bent. Hierdoor hebt u betere controle over het gereedschap in onverwachte situaties.
  - f) Draag geschikte kleding. Draag geen loszittende kleding of sieraden. Houd uw haar en kleding uit de buurt van bewegende onderdelen. Loszittende kleding, sieraden of lang haar kan vast komen te zitten in bewegende onderdelen.
  - g) Wanneer er apparaten worden bijgeleverd voor stofafzuiging en –opvang, zorg er altijd voor dat deze aangesloten zijn en op de juiste manier gebruikt worden. Het gebruik van deze apparaten vermindert de gevaren die door stof kunnen ontstaan.
  - h) Als u gereedschap veelvuldig gebruikt, dan kan dit leiden tot het negeren van de veiligheidsprincipes, probeer dit te vermijden. Een achteloze actie kan binnen een fractie van een seconde leiden tot ernstig letsel.
- 4) Gebruik en onderhoud van elektrisch gereedschap
    - a) Forceer het gereedschap niet. Gebruik gereedschap dat voor de toepassing geschikt is. Het gebruik van geschikt gereedschap levert beter werk af en werkt veiliger als het gebruikt wordt op de snelheid waar het voor ontworpen is.
    - b) Gebruik het gereedschap niet wanneer de aan/uitschakelaar niet functioneert. Gereedschap dat niet kan worden bediend met behulp van de schakelaar is gevaarlijk en dient te worden gerepareerd.
    - c) Haal de stekker uit het stopcontact en/of verwijder de accu, indien deze kan worden verwijderd, uit het gereedschap voordat u instellingen verandert, toebehoren vervangt of de machine opbergt. Deze preventieve veiligheidsmaatregelen verminderen de kans op het ongewild inschakelen van het gereedschap.
    - d) Berg gereedschap dat niet gebruikt wordt buiten het bereik van kinderen op en laat personen die niet bekend zijn met het gereedschap of met deze veiligheidsinstructies het gereedschap niet bedienen. Elektrisch gereedschap kan in de handen van ongetrainde gebruikers gevaarlijk zijn.
    - e) Onderhouden van het gereedschap en accessoires. Controleer of bewegende onderdelen nog goed uitgelijnd staan, of ze niet ergens vastzitten en controleer op elke andere omstandigheid die ervoor kan zorgen dat het gereedschap niet goed functioneert. Wanneer het

gereedschap beschadigd is, dient u het te repareren voordat u het in gebruik neemt. Veel ongelukken worden veroorzaakt door slecht onderhouden elektrisch gereedschap.

- f) **Houd snijdend gereedschap schoon en scherp.** Goed onderhouden snijdend gereedschap met scherpe zaagbladen/messen zal minder snel vastlopen en is makkelijker te bedienen.
- g) **Gebruik het gereedschap, de accessoires, de bitjes, enz. in overeenstemming met deze instructies en op de manier zoals bedoeld voor het specifieke type elektrisch gereedschap, rekening houdend met de werkomstandigheden en het uit te voeren werk.** Het gereedschap gebruiken voor andere doeleinden dan waar deze voor ontworpen is, kan gevaarlijke situaties opleveren.
- h) **Houd de handgrepen en grijppoppervlakten droog, schoon en vrij van olie en smeermiddel.** Glibberige handgrepen en grijppoppervlakten laten geen veilige hantering toe, en zorgen ervoor dat u geen controle hebt over het gereedschap in onverwachte omstandigheden.
- 5) **Service**
- a) **Laat uw elektrisch gereedschap repareren door een bevoegde reparateur die alleen originele reserveonderdelen gebruikt.** Zo bent u er zeker van dat uw gereedschap veilig blijft.

## SYMBOLS



Om het risico op letsels te beperken, moet u de gebruikershandleiding lezen



WAARSCHUWING



Draag oorbescherming



Draag een veiligheidsbril



Draag een stofmasker



Dubbele isolatie




Afgedankte elektrische producten mogen niet bij het normale huisafval terechtkomen. Breng deze producten waar mogelijk naar een recyclecentrum bij u in de buurt. Vraag de verkoper of de gemeente informatie en advies over het recyclen van elektrische apparatuur.

## COMPONENTENLIJST

1. VARIABELE SNELHEIDSREGELING
2. AAN / UIT SCHAKELAAR
3. HANDGREEP ZONE
4. STOF DOOS
5. SCHUREN PAPIER KLEMHENDEL
6. KLEMHENDEL SLOT
7. BASISPLAAT VAN ALUMINIUM
8. PAPIERGAT PONCHE
9. SCHUREN PAPIER
10. VACUÛM ADAPTER
11. UITVOER VAN STOF AFVOER (ZIE AFB. C)

## TECHNISCHE GEGEVENS

Type DX45 (45-aanduiding van machines, kenmerkend voor Vlakschuurmachine)

Nominale spanning	220-240V~50/60Hz
Nominaal vermogen	240W
Geen laadsnelheid	6000-11000/min
Grootte van voetplaat	 /II
Draaicirkel-Ø	90*187mm
Orbital diameter	1.6mm
Machinegewicht	1.63kg

## GELUIDSPRODUCTIE

A gewogen geluidsdruk	$L_{pA} = 78$ dB(A)
A gewogen geluidsvermogen	$L_{WA} = 89$ dB(A)
$K_{pA}$ & $K_{WA}$	3.0 dB(A)
<b>Draag oorbescherming.</b>	

## TRILLINGSGEGEVENS

Totale trillingswaarden (som triax vector) bepaald volgens EN 62841:	
Trillingsemissie waarde	$a_n = 6,0$ m/s <sup>2</sup>
	Onzekerheid $K = 1.5$ m/s <sup>2</sup>

De totale waarde van trillingen en geluidsemissie werden gemeten volgens een standaard testmethode en kunnen worden gebruikt om gereedschappen te vergelijken.

De totale waarde van trillingen en geluidsemissie kunnen ook voor een voorlopige beoordeling van de blootstelling worden gebruikt.



**WAARSCHUWING:** Trillingen en geluidsemissie die tijdens het gebruik van het gereedschap optreden, kunnen verschillen van de opgegeven waarde, dit is afhankelijk van de manier waarop het gereedschap wordt gebruikt, met name van het werkstuk dat wordt bewerkt, afhankelijk van de volgende voorbeelden en andere variaties in de manier waarop het gereedschap wordt gebruikt:

Hoe de machine gebruikt wordt en hoe het materiaal gesneden of geboord wordt.

De conditie en de onderhoudstoestand van de machine.

Gebruik van de juiste toebehoren. Zorg ervoor dat ze scherp zijn en in goede conditie.

Hoe stevig de handgreep wordt vastgehouden en of er anti-trilling en -geluidsaccessoires worden gebruikt.

De machine moet gebruikt worden zoals door de ontwerper bedoeld is en in overeenstemming met deze instructies.

**Deze machine kan een trillingssyndroom in hand en arm veroorzaken als hij niet op de juiste wijze gehanteerd wordt.**



**WAARSCHUWING:** Voor de nauwkeurigheid moet bij een schatting van het blootstellingsniveau in de feitelijke gebruiksomstandigheden rekening worden gehouden met alle delen van de bewerking, zoals het moment dat de machine wordt uitgeschakeld en de tijden waarop de machine loopt zonder daadwerkelijk gebruikt te worden. Dit kan het blootstellingsniveau over de totale werkperiode aanzienlijk verminderen.

Het risico op blootstelling aan trillingen en geluid verminderen.

Gebruik ALTIJD scherpe beitels, boren en zaagbladen.

Onderhoud de machine volgens deze instructies en houd hem goed gesmeerd (voor zover van toepassing).

Als het gereedschap regelmatig wordt gebruikt, investeer dan in anti-trilling en -geluidsaccessoires.

Plan de werkzaamheden zodat de taken met veel trillingen over een aantal dagen verspreid worden.

## TOEBEHOREN

Perforator voor papier	1
Vacuümadapter	1
80 Schuren papier schuren papier	1
Stof doos	1

Wij adviseren u alle accessoires te kopen in de winkel waar u het gereedschap heeft aangekocht. Kijk op de verpakking van accessoires voor meer informatie. Ook het winkelpersoneel kan u helpen en adviseren.

# BEDIENINGSINSTRUCTIES



**OPMERKING:** Lees de handleiding zorgvuldig door voordat u het gereedschap gebruikt.

## BEOGDE GEBRUIK

Het apparaat is bedoeld voor het schuren van hout, kunststof, vulstof en gecoat oppervlakken.

## MONTAGE

### 1. MONTAGE VAN HET SCHUREN PAPIER (ZIE AFB. A, B)

- Schuren papier zonder haak& lus systeem  
Til de schuren papier klemhendel omhoog en verplaats deze weg van de klemhendel. Herhaal met de andere klemhendel aan de andere kant.

Plaats ongeveer 5 mm van een uiteinde van het Schuren papier onder schuren papier klemhefboom. Hef het schuren papier klemhendel opnieuw en beweegt terug naar de klemhefboom vergrendelingsstand het papier te vergrendelen. Druk het schuren papier rond de basisplaat vorm zo dicht mogelijk en zet het andere uiteinde van het schuren papier.

Controleer het schuren papier en zorg er altijd voor dat hij vast zit op de basisplaat en onder beide opgesloten klemmen vast.  
- Schuren papier rim & ringleidingsysteem  
Uitlijnen en druk schuren papier direct op de basisplaat met de hand. Druk het schuren papier stevig met schuren papier tegen een vlak oppervlak zodat het papier stevig bevestigd. De gaten in het schuren papier en de grondplaat moeten goed zijn uitgelijnd.

### 2. MONTAGE EN VERWIJDERING VAN DE POWDERDOOS (ZIE AFB. C)

Uw Schuren papier is uitgerust met een stof doos. Om te bevestigen, plaatst u de stofdoos in de achterste stofafzuigopening totdat deze stevig vastzit. Om te verwijderen, drukt u op de ontgrendelingshendel (a) aan beide zijden van de stofdoos en schuift u de stofdoos naar buiten.



**VOORZICHTIG:** Om de stof of vreemde lichaam te voorkomen dat in het gezicht of de ogen gegooid, nooit proberen om de vuilnisbak te gebruiken zonder het stof vak goed geïnstalleerd.

### 3. LEG DE STOFDOOS LEEG (ZIE AFB. D)

Voor een efficiëntere werking leeg de stofdoos elke 5-10 minuten. Hierdoor kan lucht beter stromen door de behuizing. Legen van de stofbak eerst verwijderen uit de afzuiging op de toets aan de achterzijde van het vak aan de achterzijde van de doos te openen en dan kan het stof te schudden.

### 4. SCHUURMACHINE TOEVOEGEN AAN VACUUM (ZIE AFB. E)

Uw schuurmachine is uitgerust met een vacuüm adapter, ontworpen voor de stofafzuiging taak. Steek het vacuüm adapter in de achterste afzuiging mogelijk en zorg ervoor dat het strak. Sluit vervolgens de adapter aan op een stofzuiger. Schakel tijdens gebruik eerst de stofzuiger in en zet vervolgens de schuurmachine aan. Als u stopt met het schuren, de stekker uit het bin eerste en zet de stofzuiger.

**OPMERKING:** Sluit de adapter altijd aan met een 35 mm vacuümslang.

## FUNCTIONEERT

### 1. BEDIENING VAN DE SCHAKELAAR AAN / UIT (ZIE AFB. F)

Schuif de aan / uit schakelaars voor bediening en schuif het terug te stoppen.

### 2. VARIABELE-SNELHEIDSREGELAARS (ZIE AFB. G)

Met variabele snelheid, kan kiezen voor de gewenste snelheid (zelfs wanneer ze liep).

De gewenste snelheid is afhankelijk van het materiaal en moet worden bepaald door een praktijktest.

### 3. PAPIERGAT PONCH (ZIE AFB. H)

Als u gebruik maken van Schuren papier zonder stofgaten, moet u eerst gebruik maken van het papier gat om de gaten te boren om de juiste stofafzuiging zorgen. Positioneer de stempel op de basisplaat met de zijkanen van de stempel in lijn met de randen van de basisplaat. Druk de stempel op de basisplaat om het schuren papier doorboren. Verwijder vervolgens de stempel en controleer of alle gaten correct zijn gevormd.

### 4. GEBRUIK VAN HET SCHUURMACHINE

Het te schuren werkstuk moet worden vastgesteld. Als het klein of kan tijdens schuren bewegen, moet het in een bankschroef worden gehouden of goed bevestigd.

Zorg ervoor dat u het schuurmachine papier stevig vast, terwijl deze is ingeschakeld en breng het soepel op het werk, kunt u "kick" het eerste contact. Houd het schuurmachine zodat deze plat op het werk en langzaam, bij voorkeur met een gladde, cirkelvormige beweging. Controleer de staat van het schuren papier regelmatig en vervang hem als hij versleten is met de beste resultaten.

## AANWIJZINGEN VOOR HET AFWERKEN VAN MATERIAAL

1. Wordt de machine te heet, vooral als hij gebruikt wordt bij lage snelheid, zet de snelheid dan op maximum en laat hem 2 à 3 minuten draaien zonder belasting om de motor af te koelen. Gebruik de machine niet langdurig met een lage snelheid. Gebruik altijd schuurpapier dat geschikt is voor het materiaal dat u schuurt.
2. Zorg ervoor dat het werkstuk stevig gemonteerd of vastgeklemd is zodat het niet kan bewegen.
3. Iedere beweging van het materiaal kan de kwaliteit van het schuurwerk beïnvloeden.
4. Start de schuurmachine voordat u schuurt en zet hem direct uit als u klaar bent. Voor de beste resultaten schuurt u hout in de richting van de nerf.
5. Begin niet met schuren als het schuurpapier nog niet gemonteerd is.
6. Laat het schuurpapier niet slijten. Het zal de voetplaat beschadigen. Schade aan de voetplaat wordt niet door de garantie gedekt.
7. Gebruik grof papier om ruwe oppervlakten te schuren, middelmatig papier om oppervlakken glad te maken en fijn papier voor de laatste afwerking. Test de werking zo nodig om afvalmateriaal.
8. Gebruik alleen schuurpapier van goede kwaliteit.
9. Het schuurpapier bepaalt de efficiëntie van het schuren, niet de kracht die u op het gereedschap uitoefent. Door overmatig veel kracht wordt het schuren minder efficiënt en wordt de motor overbelast. Vervang het schuurpapier geregeld voor een optimale schuur efficiëntie.

## ONDERHOUD

**Trek de voedingskabel uit de aansluiting voordat u eventuele aanpassingen, reparaties of onderhoud uitvoert.**

Uw gereedschap vereist geen smering of onderhoud. Dit gereedschap bevat geen onderdelen die door de gebruiker dienen te worden onderhouden. Gebruik nooit water of chemische reinigingsmiddelen voor het schoonmaken van uw elektrische gereedschap. Veeg schoon met een droge doek. Bewaar uw elektrische gereedschap altijd op een droge plaats.


Houd de ventilatieopeningen van de motor schoon. Houd alle bedieningselementen vrij van stof. Af en toe ziet u vonken in de ventilatiegleuven. Dit is normaal en zal uw gereedschap niet beschadigen.

Is de voedingskabel beschadigd, dan moet hij, om risico te voorkomen, worden vervangen door de fabrikant, zijn vertegenwoordiger of een ander bevoegd persoon.

## PROBLEEMOPLOSSING

1. Als uw schuurmachine niet werkt, controleer dan de stroom op de stekker.
2. Als de schuurmachine het oppervlak niet schuren, controleer het schuren papier. Als schuren papier is gebruikt, vervang het nieuwe papier en probeer het opnieuw. Het papier moet op een droge plaats worden bewaard, indien het is toegestaan vochtig te blijven, zal de schurende deeltjes hun hechting verliezen aan de achterkant papier en zal niet vervagen.
3. Indien de schuren dosis soepel beweegt, kan het Schuren papier losraakt, beschadigd of gekreukeld. Vervang en probeer het opnieuw.
4. Als een fout niet kan worden verholpen, de terugkeer van de schuurmachine geautoriseerde dealer voor reparatie.

## BESCHERMING VAN HET MILIEU

 Afgedankte elektrische producten mogen niet bij het normale huisafval terechtkomen. Breng deze producten

waar mogelijk naar een recyclecentrum bij u in de buurt. Vraag de verkoper of de gemeente informatie en advies over het recyclen van elektrische apparatuur.

## CONFORMITEITVERKLARING

Wij,  
POSITEC Germany GmbH  
Postfach 32 02 16, 50796 Cologne, Germany

Verklaren dat het product,  
Beschrijving: **1/3 vel schuurmachine**  
Type: **DX45 (45-aanduiding van machines, kenmerkend voor Vlakschuurmachine)**  
Functie: **Oppervlaktmateriaal verwijderen met een schuurmiddel**

Overeenkomt met de volgende richtlijnen:  
**2006/42/EC, 2014/30/EU, 2011/65/EU&(EU)2015/863**

Standaards in overeenstemming met,  
**EN 55014-1, EN 55014-2, EN 62841-1, EN 62841-2-4, EN IEC 61000-3-2, EN 61000-3-3**

De persoon die bevoegd is om het technische bestand te compileren,

**Naam Marcel Filz**  
**Adres POSITEC Germany GmbH**  
**Postfach 32 02 16, 50796 Cologne, Germany**



2023/04/16  
Allen Ding  
Plaatsvervangend Chief Ingenieur,  
Testen en Certificering  
Positec Technology (China) Co., Ltd  
18, Dongwang Road, Suzhou Industrial  
Park, Jiangsu 215123, P. R. China



# MANUAL ORIGINAL

## SEGURANÇA DO PRODUTO

### AVISOS GERAIS DE SEGURANÇA DE FERRAMENTAS ELÉCTRICAS



**AVISO:** Leia todos os avisos de segurança, instruções, ilustrações e especificações fornecidos com esta ferramenta eléctrica. Caso não siga todas as instruções listadas de seguida poderá resultar e choque eléctrico, incêndio e/ou lesões graves.

Guarde estas instruções para referência futura.

Os termos “ferramenta eléctrica” utilizados em todos os avisos constantes destas instruções referem-se à sua ferramenta eléctrica accionada por bateria (sem cabo de alimentação).

#### 1) Local de trabalho

- a) Mantenha o local de trabalho limpo e bem arrumado. Áreas com pouca iluminação e desordenadas podem provocar acidentes.
- b) Não utilize o aparelho em locais onde existam líquidos, gases ou poeiras inflamáveis e onde exista o risco de explosão. As ferramentas eléctricas produzem faíscas que podem inflamar poeiras ou gases.
- c) Mantenha as pessoas e particularmente as crianças afastadas da ferramenta eléctrica durante o seu funcionamento. Qualquer distração pode fazê-lo perder o controlo do berbequim.

#### 2) Segurança eléctrica

- a) A ficha do berbequim deve encaixar bem na tomada de alimentação. Nunca modifique fichas, seja de que maneira for. Não utilize nenhuma ficha de adaptação com ferramentas eléctricas que tenham ligação à terra. Fichas não modificadas e tomadas de corrente adequadas reduzem o risco de choque eléctrico.
- b) Evite o contacto do corpo com superfícies ligadas à terra como tubos, aquecedores, fogões e frigoríficos. Existe um aumento do risco de choque eléctrico se o seu corpo estiver em contacto com a terra ou a massa.
- c) Não exponha este equipamento à chuva ou humidade. A infiltração de água num aparelho eléctrico aumenta o risco de choque eléctrico.
- d) Não maltrate o cabo de alimentação. Nunca utilize o cabo para transportar, puxar ou desligar o aparelho da tomada de corrente. Mantenha o cabo afastado de fontes de calor, óleos, arestas afiadas ou peças em movimento. Cabos danificados ou enredados aumentam o risco de choque eléctrico.
- e) Quando trabalhar com uma ferramenta eléctrica ao ar livre, use um cabo de extensão adequado para utilização no exterior. A utilização de um cabo adequado para uso exterior reduz o risco de choque eléctrico.
- f) Se não puder evitar a utilização de uma ferramenta eléctrica num local húmido, utilize uma fonte de alimentação protegida contra corrente residual. A utilização de um dispositivo com protecção contra corrente residual reduz o risco de choque eléctrico.

#### 3) Segurança de pessoas

- a) Esteja atento, observe o que está a fazer e seja prudente sempre que trabalhar com uma ferramenta eléctrica. Não utilize nunca uma ferramenta eléctrica quando estiver cansado ou sob a influência de drogas, álcool ou medicamentos. Um momento de desatenção quando se utiliza uma ferramenta eléctrica pode causar lesões graves.

- b) Utilize equipamentos de segurança. Use sempre óculos de protecção. Equipamentos de segurança, tais como máscaras protectoras, sapatos de sola antiderrapante, capacetes ou protecções auriculares devidamente utilizados reduzem o risco de lesões.
  - c) Evite o arranque accidental da ferramenta. Certifique-se de que o comutador de alimentação está desligado antes de ligar a ferramenta à fonte de alimentação e/ou a bateria, antes de pegar nela ou antes de a transportar. Se mantiver o dedo no interruptor ou accionar o aparelho enquanto este estiver ligado podem ocorrer acidentes.
  - d) Remova quaisquer chaves de ajuste ou de porcas antes de ligar a ferramenta eléctrica. Chaves de porcas ou de ajuste fixadas a peças móveis do berbequim podem causar lesões.
  - e) Não exceda as suas próprias capacidades. Mantenha sempre o corpo em posição firme e de equilíbrio, o que lhe permite controlar melhor a ferramenta eléctrica em situações imprevistas.
  - f) Use roupa apropriada. Não use vestuário solto ou artigos de joalheria. Mantenha o cabelo e as roupas e luvas afastados das peças móveis. Roupas soltas, artigos de joalheria ou cabelos compridos podem ser agarrados por peças em movimento.
  - g) Se forem fornecidos dispositivos para a montagem de unidades de extracção ou recolha de resíduos, assegure-se de que são montados e utilizados adequadamente. A utilização destes dispositivos pode reduzir os perigos relacionados com a presença de resíduos.
  - h) Não permita que a familiaridade obtida do uso frequente de ferramentas o tornem complacente o o faça ignorar os princípios de segurança da ferramenta. Uma ação descuidada pode causar lesões graves numa fração de segundo.
- #### 4) Utilização e manutenção da ferramenta eléctrica
- a) Não force a ferramenta. Utilize a ferramenta eléctrica apropriada para cada aplicação. A utilização da ferramenta eléctrica apropriada executa o trabalho de forma melhor e mais segura, à velocidade para a qual foi concebida.
  - b) Não utilize esta ferramenta se o interruptor estiver deficiente, não ligando ou desligando. Qualquer ferramenta eléctrica que não possa ser controlada pelo interruptor é perigosa e deve ser reparada.
  - c) Desligue a ficha da tomada eléctrica e/ou remova o conjunto de pilhas, caso seja possível removê-lo, da ferramenta eléctrica antes de realizar quaisquer ajustes, substituir acessórios ou armazenar ferramentas eléctricas. Estas medidas de segurança preventivas reduzem o risco de activação accidental da ferramenta.
  - d) Quando não estiver a usar a ferramenta eléctrica, guarde-a fora do alcance das crianças e não deixe que esta seja utilizada por pessoas que não a conheçam, nem tenham lido as instruções. As ferramentas eléctricas são perigosas nas mãos de utilizadores inexperientes.
  - e) Realize a manutenção de ferramentas eléctricas e acessórios. Verifique quaisquer desalinhamentos, encaixes de peças móveis, quebras e outras condições que possam afectar o funcionamento. Se esta ferramenta estiver avariada, mande-a reparar antes a utilizar. Muitos acidentes são causados pela manutenção deficiente de ferramentas eléctricas.
  - f) Mantenha as ferramentas de corte limpas e afiadas. As ferramentas de corte com manutenção adequada e arestas de corte afiadas têm menos probabilidades bloquear e são mais fáceis de controlar.
  - g) Utilize a ferramenta eléctrica, acessórios, brocas, etc. em conformidade com estas instruções e da forma prevista

para este tipo específico de ferramenta, tendo em conta as condições presentes e o trabalho a executar. A utilização de ferramentas eléctricas para aplicações diferentes daquelas a que se destinam pode levar a situações de perigo.

- h) **Mantenha as pegas e as superfícies de aderência secas, limpas e sem óleo e massa lubrificante.** As pegas e superfícies de aderência escorregadias não permitem o manuseamento e controlo seguros da ferramenta em situações inesperadas.
- 5) **Assistência técnica**  
 a) **A sua ferramenta eléctrica só deve ser reparada por um técnico de assistência qualificado e devem ser apenas utilizadas peças de substituição genuínas, mantendo assim a segurança da ferramenta.**



AVISO



Usar protecção para os ouvidos



Usar protecção ocular



Usar máscara contra o pó



Duplo isolamento



Os equipamentos eléctricos não devem ser depositados com o lixo doméstico. Se existirem instalações adequadas deve reciclá-los. Consulte a sua autoridade local para tratamento de lixos ou fornecedor para obter aconselhamento sobre reciclagem.



Para reduzir o risco de ferimentos o utilizador deve ler o manual de instruções


## SÍMBOLOS

## LISTA DE COMPONENTES

1. CONTROLE DE VELOCIDADE VARIÁVEL
2. INTERRUPTOR LIGAR/DESLIGAR
3. ÁREA DE APERTO DA MÃO
4. CAIXA DE POEIRA
5. ALAVANCA DE GRAMPO DE PAPEL DE LIXA
6. BLOQUEIO DA ALAVANCA DO GRAMPO
7. PLACA BASE
8. PERFURADOR DE PAPEL
9. PAPEL DE LIXA
10. ADAPTADOR DE VÁCUO
11. SAÍDA DE EXTRAÇÃO DE POEIRA (VER FIG. C)

## DADOS TÉCNICOS

Tipo DX45 (45-designação de aparelho mecânico, representativo de lixadeira de acabamento)

Tensão nominal	220-240V~50/60Hz
Potência nominal	240W
Sem velocidade de carga	6000-11000/min
Classe de protecção	 /II
Dimensão da placa base	90*187mm
Diâmetro orbital	1.6mm
Peso da máquina	1.63kg

## INFORMAÇÃO DE RUÍDO

Pressão sonora ponderada	$L_{pA} = 78 \text{ dB(A)}$
Potência sonora ponderada	$L_{wA} = 89 \text{ dB(A)}$
$K_{pA}$ & $K_{wA}$	3.0 dB(A)
<b>Usar protecção para os ouvidos.</b>	

# INFORMAÇÃO DE VIBRAÇÃO

Os valores totais de vibração são determinados de acordo com a normativa EN 62841:	
Valor de emissão de vibração	$a_{hv} = 6,0 \text{ m/s}^2$
	Instabilidade $K = 1,5 \text{ m/s}^2$

O valor total de vibração declarado e o valor de emissão de ruído declarado foram medidos de acordo com um método de teste normalizado e poderão ser utilizados para comparar ferramentas entre si.

O valor total de vibração declarado e o valor de emissão de ruído declarado também poderão ser utilizados numa avaliação preliminar da exposição.



**AVISO:** A vibração e as emissões de ruído durante o uso efetivo da ferramenta elétrica podem diferir do valor declarado, em função das formas como a ferramenta é utilizada, especialmente no que se refere ao tipo de peça de trabalho que é processada em função dos seguintes exemplos e de outras variações sobre como a ferramenta é utilizada:

O modo como a ferramenta é utilizada, os materiais a cortar ou perfurar.

A ferramenta estar em boas condições e bem conservada.

A utilização do acessório correcto para a ferramenta e a garantia de que está afiado e em boas condições.

A tensão de aderência nas pegas e se são utilizados acessórios anti-vibração e ruído.

Se a ferramenta é utilizada para o objectivo para a qual foi concebida e segundo as instruções.

**Esta ferramenta pode causar síndrome de vibração mão-braço, se não for adequadamente utilizada.**



**AVISO:** Para ser preciso, uma estimativa do nível de exposição nas condições actuais de utilização deve ter em conta todas as partes do ciclo de operação, como os tempos em que a ferramenta está desligada e quando está em funcionamento, mas inactiva, ou seja, não realizando o seu trabalho. Isto poderá reduzir significativamente o nível de exposição durante o período total de trabalho.

Ajudar a minimizar a sua vibração e risco de exposição ao ruído.

Utilize SEMPRE formões, brocas e lâminas afiadas.

Mantenha esta ferramenta de acordo com as instruções e bem lubrificada (quando aplicável).

Se a ferramenta tiver de ser utilizada regularmente, invista em acessórios anti-vibração e anti-ruído.

Planeie o seu horário de trabalho de forma a distribuir a utilização de ferramentas de alta vibração ao longo de vários dias.

## ACESSÓRIOS

Furador de papel	1
Adaptador de vácuo	1
Papel de lixa com braçadeira de 80 grãos	1
Caixa de poeira	1

Recomendamos-lhe que compre todos os acessórios no fornecedor onde tenha adquirido a ferramenta. Para mais pormenores, consulte a embalagem destes. Os comerciais também pode ajudar e aconselhar.

## INSTRUÇÕES SOBRE OPERAÇÃO



**NOTA:** Antes de usar a ferramenta, leia o livro de instruções cuidadosamente.

### USO PRETENDIDO

A máquina é destinada ao lixamento a seco de madeira, plástico, material de enchimento e superfícies revestidas.

### MONTAGEM

#### 1. MONTAGEM DO PAPEL DE AREIA (VER FIG. A, B)

- Lixa de papel sem sistema de gancho e laço

Levante a alavanca do grampo do papel de lixa e afaste-a da trava. Repita com a outra alavanca do grampo no lado oposto.

Insira aproximadamente 5 mm de uma extremidade do papel de lixa embaixo da alavanca do grampo. Levante a alavanca do grampo do papel de lixa novamente e mova-a de volta para a posição de travamento da alavanca do grampo para travar o papel. Pressione o papel de lixa ao redor da forma da placa base o mais apertado possível e fixe a outra extremidade do papel de lixa.

Verifique o papel de lixa e sempre verifique se está bem

apertado sobre a placa de base e preso embaixo dos dois grampos travados.

- Lixa de papel com sistema de gancho e laço

Alinhe e pressione manualmente o papel de lixa na placa de base manualmente. Pressione firmemente a lixadeira com o papel de lixa contra uma superfície plana para garantir que o papel esteja preso. Os furos no papel de lixa e na placa de base devem estar bem alinhados.

#### 2. MONTAGEM E REMOÇÃO DA CAIXA DE POEIRA (VER FIG. C)

A sua lixadeira está equipada com uma caixa de poeira. Para anexar, insira a caixa de poeira na saída traseira de extração de poeira até que esteja firme. Para remover, pressione a alavanca de liberação (a) nos dois lados da caixa de poeira e deslize a caixa para fora.



**CAUIDADO:** Para evitar a possibilidade de lixar poeira ou corpos estranhos no rosto ou nos olhos, nunca tente usar a lixadeira sem a caixa de poeira corretamente instalada.

#### 3. VAZIA A CAIXA DE POEIRA (VER FIG. D)

Para uma operação mais eficiente, esvazie a caixa de poeira a cada 5 a 10 minutos. Isso permitirá que o ar flua melhor através

da caixa.

Para esvaziar a caixa de poeira, primeiro remova-a da saída de extração de poeira, pressione o botão na parte traseira da caixa para abrir a parte traseira da caixa e, em seguida, você pode sacudir a poeira.

#### 4. ANEXANDO A LIXADEIRA AO VÁCUO (VER FIG. E)

Sua lixadeira está equipada com um adaptador de vácuo, projetado para a tarefa de coleta de poeira. Insira o adaptador de vácuo na saída traseira de extração de poeira e verifique se está bem apertado. Em seguida, conecte o adaptador à mangueira do aspirador de pó.

Enquanto estiver usando, primeiro ligue o aspirador e depois ligue a lixadeira. Se você parar de lixar, primeiro desligue a lixadeira e depois o aspirador.

**NOTA:** Por favor, sempre conecte o adaptador com mangueira de vácuo de 35mm.

### OPERAÇÃO

#### 1. OPERAÇÃO DO INTERRUPTOR DE LIGAR / DESLIGAR (VEJA FIG. F)

Deslize o interruptor ligar / desligar para frente para operação e deslize-o para trás para parar.

#### 2. CONTROLE DE VELOCIDADE VARIÁVEL (VER FIG. G)

Com o controle de velocidade variável, a velocidade necessária pode ser selecionada (também durante a execução).

A velocidade necessária depende do material e deve ser determinada por um teste prático.

#### 3. PERFURADOR DE PAPEL (VER FIG. H)

Se estiver usando papel de lixa sem furos de poeira, primeiro use o furador de papel para perfurar os furos para garantir a correta extração do pó. Posicione o punho sobre a placa de base com os lados do punho alinhados com as bordas da placa de base. Pressione o furador na placa de base para fazer furos no papel de lixa. Em seguida, remova o punho e verifique se todos os orifícios foram formados corretamente.

#### 4. UTILIZANDO A LIXADORA

A peça a ser lixada deve estar presa. Se for pequeno ou se mover durante o lixamento, ele deve ser mantido em um torno ou preso adequadamente.

Segure firmemente a lixadeira enquanto estiver ligada e aplique-a suavemente no trabalho, pois pode "chutar" no primeiro contato. Segure a lixadeira de forma que fique plana sobre o trabalho e mova-se lentamente, de preferência com um movimento circular e suave. Verifique regularmente as condições do papel de lixa e troque quando usado para obter melhores resultados.

## SUGESTÕES DE FUNCIONAMENTO DA LIXADEIRA DE ACABAMENTO

1. Se a sua ferramenta aquecer muito, especialmente quando for utilizada a baixa velocidade, regule a velocidade no máximo e faça-a funcionar sem carga durante 2-3 minutos para arrefecer o motor. Evite utilizações prolongadas a velocidades muito baixas. Utilize sempre papel de lixa que seja adequado para o material que pretende lixar.
2. Assegure-se sempre de que a peça de trabalho está bem fixa ou presa para impedir o movimento.
3. Qualquer deslocação do material pode afectar a qualidade do acabamento da lixagem.

4. Ligue a sua lixadeira antes de começar a lixar e desligue-a só depois de parar de lixar. Para obter melhores resultados, lixe a madeira na direcção do veio.
5. Não comece a lixar sem o papel de lixa estar colocado.
6. Não deixe o papel de lixa ficar desgastado porque isso danificará a placa base. A garantia não cobre o desgaste ou deterioração normal da placa base.
7. Utilize papel de lixa de grão grosso para superfícies irregulares, de grão médio para superfícies macias e de grão fino para acabamento de superfícies. de grão fino para acabamento de superfícies. Se necessário, faça primeiro um teste numa peça de sucata.
8. Utilize apenas papel de lixa de boa qualidade.
9. É o papel de lixa que controla a eficiência de lixagem e não a força que aplica na ferramenta. Uma força excessiva reduz a eficiência de lixagem e provoca o sobreaquecimento do motor. Deve substituir periodicamente o papel de lixa para manter um óptimo rendimento de lixagem.

## MANUTENÇÃO

**Retire o cabo de alimentação da tomada antes de efectuar quaisquer ajustamentos, reparações ou manutenção.**

A sua ferramenta não requer qualquer lubrificação ou manutenção adicional. Na sua ferramenta eléctrica, não existem componentes susceptíveis de serem substituídos pelo utilizador. Nunca utilize água ou produtos químicos para limpar a sua ferramenta. Limpe-a com um pano macio e seco. Guarde sempre a sua ferramenta num local seco. Mantenha as ranhuras de ventilação do motor devidamente limpas. Se observar a ocorrência de faíscas nas ranhuras de ventilação, isso é normal e não danificará a sua ferramenta.

Se o cabo de alimentação estiver danificado, este deve ser substituído pelo fabricante, seu agente autorizado ou pessoal técnico qualificado para evitar qualquer situação de perigo.

## SOLUÇÃO DE PROBLEMAS

1. Se a sua lixadeira não funcionar, verifique a energia no plugue.
2. Se a lixadeira não raspar a superfície, verifique o papel de lixa. Se o papel de lixa estiver gasto, substitua o novo papel e tente novamente. O papel deve ser mantido em local seco; se for permitido que ele se torne úmido, as partículas abrasivas perderão sua adesão ao papel de suporte e não abrasão.
3. Se a dose da lixadeira não se mover suavemente, o papel de lixa pode estar solto, danificado ou amassado. Substitua e tente novamente.
4. Se uma falha não puder ser corrigida, retorne a ferramenta a um revendedor autorizado para reparo.

## PROTECÇÃO AMBIENTAL



Os equipamentos eléctricos não devem ser depositados com o lixo doméstico. Se existirem instalações adequadas deve reciclá-los. Consulte a sua autoridade local para tratamento de lixos ou fornecedor para obter aconselhamento sobre reciclagem.

# DECLARAÇÃO DE CONFORMIDADE

Nós,  
POSITEC Germany GmbH  
Postfach 32 02 16, 50796 Cologne, Germany

Declaramos que o produto  
Descrição: **1/3 Lixadora orbital**  
Tipo: **DX45 (45-designação de aparelho mecânico, representativo de Lixadeira de acabamento)**  
Função: **Remoção de material da superfície com produtos abrasivos**

Cumpra as seguintes Directivas:  
**2006/42/EC, 2014/30/EU, 2011/65/EU&(EU)2015/863**

Normas em conformidade com:  
**EN 55014-1, EN 55014-2, EN 62841-1, EN 62841-2-4, EN IEC 61000-3-2, EN 61000-3-3**

Pessoa autorizada a compilar o ficheiro técnico,  
**Nome Marcel Filz**  
**Endereço POSITEC Germany GmbH**  
**Postfach 32 02 16, 50796 Cologne, Germany**



2023/04/16  
Allen Ding  
Engenheiro-chefe adjunto,  
Teste e Certificação  
Positec Technology (China) Co., Ltd  
18, Dongwang Road, Suzhou Industrial  
Park, Jiangsu 215123, P. R. China

PT

# BRUKSANVISNING I ORIGINAL PRODUKTSÄKERHET GENERELLA SÄKERHETSVARNINGAR FÖR ELVERKTYG



**WARNING:** Läs alla säkerhetsföreskrifter, instruktioner, illustrationer och specifikationer som följer med detta elverktyg. Underlåtelse att följa instruktionerna nedan kan leda till elstöt, brand och/eller allvarlig skada.

Spara alla varningar och instruktioner för framtida bruk. Termene "strömförande verktyg" i alla varningsmeddelanden nedan avser ditt (sladdverktyg) strömförande verktyg eller batteridrivna (sladdlösa) strömförande verktyg.

## 1) ARBETSOMRÅDET

- Håll arbetsområdet rent och väl upplyst. Skräpiga och mörka områden är skaderiska.
- Använd inte strömförande verktyg i explosiva miljöer, som nära brandfarliga vätskor, gaser eller damm. Strömförande verktyg skapar gnistor som kan antända damm eller ångor.
- Håll barn och åskådare borta när du använder ett strömförande verktyg. Distractioner kan göra att du förlorar kontrollen.

## 2) ELSÄKERHET

- Stickkontaktarna till verktyget måste matcha eluttaget. Modifiera inte stickkontakten på något sätt. Använd inte adapterkontakter i samband med jordade strömförande verktyg. Omodifierade stickkontakter och matchande eluttag minskar risken för elstötar.
- Undvik kroppskontakt med jordade ytor som rör, element, spisar och kylskåp. Det finns en större risk för elstötar om din kropp är jordad.
- Exponera inte strömförande verktyg för regn eller fuktiga förhållanden. Kommer det in vatten i ett strömförande verktyg ökar det risken för elstötar. bära, dra eller dra ut stickkontakten för det
- Missbruka inte sladden. Använd aldrig sladden för att strömförande verktyget. Håll sladden borta från hetta, olja, skarpa kanter eller rörliga delar. Skadade eller tillrasslade sladdar ökar risken för elstöt.
- När du använder ett strömförande verktyg utomhus använder du en förlängningssladd som lämpar sig för utomhus bruk. Använder du en sladd för utomhus bruk reducerar du risken för elstötar.
- Om det inte går att undvika att driva ett elverktyg i en fuktig lokal, använd då en restströmsskyddad (RCD) strömtilförselanordning. Användning av en RCD minskar risken för elektriska stötar.

## 3) PERSONLIG SÄKERHET

- Var uppmärksam, håll ögonen på vad du gör och använd sunt förnuft när du använder ett strömförande verktyg. Använd inte ett strömförande verktyg när du är trött eller påverkad av droger, alkohol eller läkemedel. En kort stund av uppmärksamhet med strömförande verktyg kan resultera i allvarliga personskador.
- Använd säker utrustning. Använd alltid skyddsglasögon. Säkerhetsutrustning som munskydd, halkfria skor, skyddshjälme eller hörselskydd som används när det behövs kommer att reducera personskador.
- Förhindra ofrivilligt start. Se till att kontakten är i

off-läge innan du ansluter till strömkälla och/eller batterienhet, tar upp eller bär med dig verktyget. Bär du strömförande verktyg med fingret på kontakten eller sätter i stickkontakten i eluttaget när kontakten är i PÅ-läge utgör det en skaderisk.

- Ta bort alla skiftnycklar eller skruvnycklar innan du sätter på det strömförande verktyget. En skift- eller skruvnyckel som lämnas kvar på en roterande del på ett strömförande verktyg kan orsaka personskador.
- Sträck dig inte för långt. Bibehåll alltid fotfästet och balansen. Detta gör att du kan kontrollera verktyget bättre i oväntade situationer.
- Klä dig rätt. Använd inte löst sittande kläder eller smycken. Håll ditt hår och dina kläder borta från rörliga delar. Lösa kläder, smycket eller långt hår kan snärjas in i rörliga delar.
- Om det på enheterna finns anslutning för dammsug och dammupsamling ser du till att de är anslutna och används korrekt. Använder du dessa anordningar reducerar det dammrelaterade faror.
- Låt inte förtrogenhet, tack vare frekvent användning av verktyget, lura dig att känna dig för tryggt med det och därmed ignorera säkerhetsföreskrifterna. En vårdslös handling kan orsaka allvarlig skada inom loppet av en sekund.

## 4) ANVÄNDNING OCH UNDERHÅLL AV STRÖMFÖRANDE VERKTYG

- Forcera inte det strömförande verktyget. Använd korrekt verktyg för arbetet. Det korrekta verktyget kommer att göra jobbet bättre och säkrare med den hastighet den tillverkats för.
- Använd inte verktyget om kontakten inte sätter på eller stänger av det. Alla strömförande verktyg som inte kan kontrolleras med kontakten är farliga och måste repareras.
- Koppla bort kontakten från strömkällan och/eller ta bort batterierna, om de är löstagbara, från elverktyget, innan du utför några justeringar, ändrar I tillbehören eller magasinerar elverktygen. Sådana förebyggande säkerhetsåtgärder reducerar risken för att du startar verktyget oavsiktligt.
- Förvara verktyget som inte används utom räckhåll för barn och låt inte någon person använda verktyget som inte känner till verktyget eller dessa anvisningar. Strömförande verktyg är farliga i händerna på utbildade användare.
- Håll koll på elverktyget och tillbehören. Kontrollera inriktningen eller fästet för rörliga delar, defekta delar och alla andra saker som kan påverka användningen av elverktyget. Om den skadats måste elverktyget repareras före användning. Många olyckor orsakas av felaktigt underhållna elverktyg.
- Håll sågverktyget skarpa och rena. Korrekt underhållna skärverktyg med skarpa egg kommer inte att köra fast lika ofta och är enklare att kontrollera.
- Använd elverktyget, tillbehören och verktygsbitsen etc. i enlighet med dessa anvisningar och på det sätt som avsetts för varje typ av elverktyg. Ha också i åtanke arbetsförhållandena och arbetet som skall utföras. Använder du elverktyg för åtgärder som skiljer sig det avsedda arbetet kan det resultera i riskfyllda situationer.
- Håll handtag och greppytor torra, rena och fria från olja och fett. Håll handtag och greppytor ger inte säker hantering och kontroll över verktyget i oväntade situationer.

## 5) UNDERHÅLL

- Låt ditt elverktyg underhållas av en kvalificerad reparatör som bara använder äkta reservdelar. Det kommer att garantera att elverktygets säkerhet bibehålls.

## SYMBOLER



För att minska risken för skador måste användaren läsa bruksanvisningen



Varning



Använd hörselskydd



Använd skyddsglasögon



Använd skyddsmask



Skyddsklass



Uttjänade elektriska maskiner får inte kasseras som hushållsavfall. Använd återvinningsfaciliteter om det finns tillgängligt. Kontrollera med din återförsäljare eller vilka lokala föreskrifter som föreligger.

## KOMPONENTLISTA

1. VARIABEL HASTIGHETSREGLERING
2. PÅ / AV VÄXLA
3. HÅNDGREPSOMRÅDET
4. STÖVBOKS
5. SANDPAPIR KLEMME SPAKE
6. KLEMME SPAKE LÅS
7. GRUNNPLATE I ALUMINIUM
8. PAPIRSTANS
9. SLIPEPAPIR
10. VAKUUMADAPTER
11. STÖVUTTREKK (SE FIG. C)

SV

## TEKNISKA DATA

Typ DX45 (45-maskinbeteckning, anger finslipmaskin)

Spänning	220-240V~50/60Hz
Effekt	240W
Hastighet Utan Belastning	6000-11000/min
Skyddsklass	□/II
Fotplåtens storlek	90°187mm
Excenterrörelsens diameter	1.6mm
Maskinvikt	1.63kg

## BULLERINFORMATION

Uppmätt ljudtryck	$L_{pA} = 78$ dB(A)
Uppmätt ljudstyrka	$L_{wA} = 89$ dB(A)
$K_{pA}$ & $K_{wA}$	3.0 dB(A)
<b>Använd hörselskydd.</b>	

## VIBRATIONSinFORMATION

Vibrationernas totalvärden (triax vektorsumma) är fastställda enligt EN 62841:	
Vibrationsutsändningsvärde	$a_h = 6,0$ m/s <sup>2</sup>
	Osäkerhet K = 1.5 m/s <sup>2</sup>

Det angivna totala vibrationsvärdet och det angivna bullervärdet har uppmätts i enlighet med en standardtestmetod och kan användas för att jämföra ett verktyg med ett annat.

Det angivna totala vibrationsvärdet och det angivna bullervärdet kan också användas i en preliminär exponeringsbedömning.



**WARNING:** Vibrationer och buller vid användning av elverktyget kan skilja sig från det angivna värdet beroende på vilket sätt verktyget används på, särskilt vilken typ av arbetsstycke som bearbetas beroende på följande exempel och andra varianter på hur verktyget används:

Hur verktyget används och materialet som skärs eller borras.

Verktyget är i bra skick och bra underhållet.

Användning av korrekt tillbehör för verktyget och säkerställ att de är skarpa och i bra skick.

Åtdragningsgraden av greppet på handtagen och om några antivibrations- och bullertillbehör används.

Och att verktyget används såsom avsett enligt dess konstruktion och dessa instruktioner.

**Detta verktyg kan orsaka hand-arm vibrationssyndrom om det används på felaktigt sätt.**



**WARNING:** För att vara korrekt bör en beräkning av exponeringsnivån under verkliga förhållanden vid användning också tas med för alla delar av hanteringscykeln såsom tiden när verktyget är avstängt och när det körs på tomgång utan att utföra något arbete. Detta kan betydligt minska exponeringsnivån över den totala arbetsperioden.

Hjälp för att minimera din exponering för vibrationer och buller.

Använd ALLTID skarpa mejslar, borrar och blad.

Underhåll verktyget i enlighet med dessa instruktioner och håll det välsmort (där så behövs).

Om verktyget ska användas regelbundet investera då i antivibrations- och bullertillbehör.

Planera ditt arbetsschema för att sprida ut användning av kraftigt vibrerande verktyg över flera dagar.

## TILLBEHÖR

Papirstans	1
Vakuuadaptar	1
80 Etterbehandling av slipepapper	1
Støvboxs	1

Vi rekommenderar att du köper tillbehör från butiken där verktyget säljs. Mer information finns i tillbehörsförpackningen. Butikspersonal kan hjälpa dig med råd.

## BRUKSANVISNINGAR



**NOTERA:** Läs instruktionsboken noggrant innan du använder verktyget.

### MULIG BRUK

Maskinen brukes til tørrsliping av tre, plast, fyllstoff og belagte overflater.

### MONTERING

#### 1. INSTALLER SANDPAPIRET (SE FIG. A, B)

- Slipepapir uten krok og sløyfesystem papirklemspaken og flytt den vekk fra låsen til klemspaken.

Gjenta med den andre klemspaken på motsatt side.

Sett inn ca. 5 mm av enden av sandpapiret under sandpaprirklemmen. Løft sandpaprirklippspaken igjen og flytt den tilbake til klemmelåsposisjonen for å låse papiret. Trykk sandpapiret så tett som mulig på såleformen og fest den andre enden av sandpapiret.

Kontroller sandpapiret, og sørg alltid for at det er godt festet til sålen og under de to låsearmaturene.

- Sandpapir med ringsystem

Juster sandpapiret etter hånden og trykk direkte på sålen. Trykk sliperen godt på en flat overflate med sandpapir for å sikre at den er sikret. Hullene i sandpapiret og underlaget skal skylles.

#### 2. MONTERING OG FJERNING AV STØVBOKSEN (SE FIG. C)

Sliperen er utstyrt med en støvboks. Sett støvboksen inn i støvtuttaket bak til den er festet. Trykk utløserpaken (a) på begge sider av støvboksen og skyv støvboksen ut.

**ADVARSEL:** For å forhindre at støv eller fremmedlegemer faller ned i ansiktet eller øynene, må du ikke bruke slipemaskinen uten å installere støvposen ordentlig.

#### 3. TØM STØVBOKSEN (SE FIG. D)

For å forbedre driftseffektiviteten tømmes støvposen hvert 5-10 minutt. Dette vil tillate luften å strømme bedre gjennom boksen.

For å tømme støvpakken, fjern den først fra støvbeholderen, trykk på knappen på baksiden av støvboksen for å åpne baksiden av støvpakken, og rist deretter av støvpakken.

#### 4. FEST SLIPEMASKINE TIL STØVSUGET (SE FIG. E)

Sliperen er utstyrt med en vakuuadaptar designet for støvoppsamlingsoppgaver. Sett vakuuadaptaren inn i støvporten bak, og kontroller at den er godt strammet. Deretter kobler adaptaren til slangen av en støvsuger.

Når du er i bruk, slå på støvsugeren før du slår på sliperen. Hvis du slutter å slippe, slå av sliperen og slå av støvsugeren.

**NOTERA:** Koble alltid adaptaren med en 35mm vakuum slange.

### DRIFT

#### 1. BRUK AV AV/PÅ KNAPPEN (SE FIG. F)

Skyv av / på-bryteren fremover for bruk, og skyv den bakover for å stoppe.

#### 2. VARIABEL HASTIGHETSKONTROLL (SE FIG. G)

Med variabel hastighetskontroll kan den nødvendige hastigheten velges (også når du løper).

Den nødvendige hastigheten avhenger av materialet og kan bestemmes ved faktiske tester.

#### 3. PAPIRHULL PRESSE (SE FIG. H)

Hvis sandpapir uten støvhull brukes, bør du først bruke stansepapir for å lage hull for å sikre riktig fjerning av støv. Plasser puncher på underlaget slik at siden av puncher er på linje med kanten av underlaget. Trykk puncheren inn i underlaget for å slå hull i sandpapiret. Fjern deretter stansen og kontroller at alle hullene dannes riktig.



#### 4. VED HJELP AV EN VIFTE

Slipedelen må fikses. Hvis den er liten eller kan bevege seg under sliping, må den holdes i en løkke eller tas vare på. Pass på å holde sliperen godt mens du åpner den, og påfør den forsiktig på arbeidsstykket, som kan "sparke" den første kontakten. Hold sliper for å arbeide og bevege deg sakte, helst i en jevn, sirkulær bevegelse. Kontroller tilstanden til sandpapiret regelmessig og skift det ut etter slitasje for best resultat.

## ARBETSTIPS FÖR FINSLIPMASKINEN

1. Om elverktøyet blir for varmt, særskilt når det kÖrts med låg hastighet, sätt upp hastigheten till max.-hastighet och kör maskinen utan last i 2-3 minuter för att kyla motorn. Undvik att köra maskinen länge med mycket låg hastighet. Använd alltid slippapper som är avsett för det material du slipar.
2. Se alltid till att arbeidsstykket hålls eller kläms fast ordentligt så att det inte kan röra sig.
3. Varje rörelse av arbeidsstykket kan påverka slipningens yt-kvalitet.
4. Starta slipmaskinen innan du börjar slipa och stäng av den efter det att du slutat slipa. För bästa resultat, slipa trä i fiberretningen.
5. Försök inte börja slipningen utan att ha satt i slippappret.
6. Se till att slippappret inte lossar. Det skadar fotplåten. Garantien omfatter ikke förslijning och repor i fotplåten.
7. Använd grovt slippapper för slipning av grova ytor, mediumslippapper för släta ytor och fint slippapper för finputsning. Prova gärna först på kasserat material.
8. Använd endast slippapper av god kvalitet.
9. Slipeeffekten beror på slippappret inte på hur hårt du trycker på slipmaskinen. Onödigt stor kraft minskar slipeeffekten och kan överbelasta motorn. Byt slippappret regelbundet så är slipeeffekten alltid optimal.

## UNDERHÅLL

**Ta bort pluggen från hållaren innan du gör några anpassningar, servis eller underhåll.**

Ditt verktyg kräver inte extra smörjning eller underhåll. Det finns inga delar som kan repareras av användaren i verktyget. Använd aldrig vatten eller kemiska medel för att rengöra verktyget. Torka rent med en torr trasa. Förvara alltid verktyget på en torr plats. Håll motorns ventileringsöppningar rena. Håll alla arbetskontroller fria från damm. Ser du gnistor i ventileringsöppningarna, är det normalt och kommer inte att skada till verktyg.

Om strömkabeln är skadad och att undvika fara, måste den ersättas av tillverkaren, servis agenten eller liknande kvalificerad person.

## FEILSØKING

1. Hvis sliperen ikke fungerer, kontrollerer du strömforsyningen på strömforsyningen.
2. Hvis kvernen ikke riper overflaten, kontrollerer slipepapiret. Hvis sandpapiret er slitt, må du skifte ut det nye papiret og prøve på nytt. Papiret må holdes på et tørt sted, og hvis de våte, vil slipende partikler miste vedhende til lineren og vil ikke ha på seg.
3. Hvis slipemaskinen beveger seg ujevnt, kan slipepapiret løse, skade eller rynke. Vennligst skift ut og prøv på nytt.
4. Hvis feilen ikke kan korrigeres, returner sliperen til en autorisert forhandler for reparasjon.

## MILJÖSKYDD



Uttjänade elektriska maskiner får inte kasseras som hushållsavfall. Använd återvinningsfaciliteter om det finns tillgängligt. Kontrollera med din återförsäljare eller vilka lokala föreskrifter som föreligger.

## DEKLARATION OM ÖVERENSSTÄMMELSE

Vi,  
POSITEC Germany GmbH  
Postfach 32 02 16, 50796 Cologne, Germany

Förklarar att denna produkt  
Beskrivning: **1/3 ark Sander slipmaskin**  
Typ: **DX45 (45-maskinbeteckning, anger Fin slipmaskin)**  
Funktion: **Avlägsnande av ytmateriale med ett slipande medium**

Uppfyller följande direktiv,  
**2006/42/EC, 2014/30/EU, 2011/65/EU&(EU)2015/863**

Standarder överensstämmer med  
**EN 55014-1, EN 55014-2, EN 62841-1, EN 62841-2-4, EN IEC 61000-3-2, EN 61000-3-3**

Personen som godkänts att sammanställa den tekniska filen,  
**Namn Marcel Filz**  
**Adress POSITEC Germany GmbH**  
**Postfach 32 02 16, 50796 Cologne, Germany**



SV

2023/04/16

Allen Ding  
Vice chefsingenjör, tester och certifiering  
Positec Technology (China) Co., Ltd  
18, Dongwang Road, Suzhou Industrial  
Park, Jiangsu 215123, P. R. China

# ALKUPERÄISET OHJEET YLEISET SÄHKÖTYÖKALUJEN TURVALLISUUTEEN LIITTYVÄT VAROITUKSET



**VAROITUS:** Lue kaikki tämän sähkötyökalun mukana toimitetut varoitukset, ohjeet, kuvat ja tekniset tiedot.

Alla mainittujen ohjeiden noudattamisen laiminlyönti saattaa aiheuttaa sähköiskun, tulipalon ja/tai vakavan loukkaantumisen.

Säilytä kaikki turvallisuus- ja muut ohjeet tulevaisuutta varten. Turvallisuusohjeissa käytetty käsite "sähkötyökalu" käsittää verkkokäyttöisiä sähkötyökaluja (verkkojohdolla) ja akkukäyttöisiä sähkötyökaluja (ilman verkkojohdotta).

## 1. TYÖPAIKAN TURVALLISUUS

- Pidä työskentelyalue puhtaana ja hyvin valaistuna.** Työpaikan epäjärjestys tai valaisemattomat työalueet voivat johtaa tapaturmiin.
- Älä työskentele sähkötyökalulla räjähdysalttiissa ympäristössä, jossa on palavaa nestettä, kaasua tai pölyä.** Sähkötyökalu muodostaa kipinöitä, jotka saattavat sytyttää pölyä tai höyryä.
- Pidä lapset ja siviliset loitolla sähkötyökalua käyttäessäsi.** Voit menettää laitteesi hallinnan, huomiosi suuntautuessa muualle.

## 2) SÄHKÖTURVALLISUUS

- Sähkötyökalun pistotulpan tulee sopia pistorasiaan.** Pistotulppaa ei saa muuttaa millään tavalla. Älä käytä mitään pistorasia-adaptoreita maadoitettujen sähkötyökalujen kanssa. Alkuperäisessä muunnossa olevat pistotulpat ja sopivat pistorasiat vähentävät sähköiskun vaaraa.
- Vältä koskettamasta maadoitettuja pintoja, kuten putkia, pattereita, liesiä tai jääkaappeja.** Sähköiskun vaara kasvaa, jos kehosi on maadoitettu.
- Älä aseta sähkötyökalua alttiiksi sateelle tai kosteudelle.** Veden tunkeutuminen sähkötyökalun sisään kasvattaa sähköiskun riskiä.
- Älä käytä verkkojohdotta väärin. Älä käytä sitä sähkötyökalun kantamiseen, vetämiseen tai pistotulpan irrottamiseen pistorasiasta.** Pidä johto loitolla kuumuudesta, öljystä, terävistä reunoista ja liikkuvista osista. Vahingoittuneet tai sotkeutuneet johdot kasvattavat sähköiskun vaaraa.
- Käyttäessäsi sähkötyökalua ulkona, käytä ainoastaan ulkokäyttöön soveltuvaa jatkojohdotta.** Ulkokäyttöön soveltuvan jatkojohdon käyttö pienentää sähköiskun vaaraa.
- Jos sähkötyökalun käyttö kosteassa ympäristössä ei ole vältettävissä, tulee käyttää maavuotokatkaisijaa.** Maavuotokatkaisijan käyttö vähentää sähköiskun vaaraa.

## 3) HENKILÖTURVALLISUUS

- Ole valpas, kiinnitä huomiota työskentelyysi ja noudata tervettä järkeä sähkötyökalua käyttäessäsi.** Älä käytä sähkötyökalua, jos olet väsynyt tai huumeiden, alkoholin tai lääkkeiden vaikutuksen alaisena. Hetken tarkkaamattomuus sähkötyökalua käytettäessä, saattaa johtaa vakavaan loukkaantumiseen.
- Käytä suojavarusteita.** Käytä aina suojaalaseja. Henkilökohtaisen suojavarustuksen käyttö, kuten pölynaamarin, luistamattomien turvakenkien, suojakypärän tai kuulonsuojaimien, riippuen sähkötyökalun lajista ja käytettävästä, vähentää loukaantumisen riskiä.
- Vältä tahatonta käynnistämistä.** Varmista, että sähkötyökalu on poiskytkettyä, ennen kuin liität sen sähköverkkoon

ja/tai liität akun, otat sen käteen tai kannat sitä. Jos kannat sähkötyökalua sormi käynnistyskytkimellä tai kytket sähkötyökalun pistotulpan pistorasiaan, käynnistyskytkimen ollessa käytänsänsä, altistat itsesi onnettomuuksille.

- Poista kaikki säätötyökalut ja ruuvitaltat, ennen kuin käynnistät sähkötyökalun.** Työkalu tai avain, joka sijaitsee laitteen pyörivässä osassa, saattaa johtaa loukkaantumiseen.
  - Älä yliarvioi itseäsi.** Huolehdi aina tukevasta seisomaasennosta ja tasapainosta. Täten voit paremmin hallita sähkötyökalua odottamattomissa tilanteissa.
  - Käytä tarkoitukseen soveltuvia vaatteita.** Älä käytä löysää työvaatteita tai koruja. Pidä hiukset ja vaatteet poissa liikkuvien osien ulottuvilta. Vältä vaatteet, korut ja pitkät hiukset voivat takertua liikkuviin osiin.
  - Jos pölynimu- ja keräilylaitteita voidaan asentaa, tulee sinun tarkistaa, että ne on liitetty ja että ne käytetään oikealla tavalla.** Pölynimulaitteiston käyttö vähentää pölyn aiheuttamia vaaroja.
  - Työskentele keskittyneesti ja noudata aina turvallisuusmääräyksiä.** etkellinenkin huolimattomuus voi aiheuttaa vakavia vammoja.
- ## 4) SÄHKÖTYÖKALUJEN KÄYTTÖ JA HOITO
- Älä ylikuormita laitetta.** Käytä kyseiseen työhön tarkoitettua sähkötyökalua. Sopivaa sähkötyökalua käyttäen työskentelet paremmin ja varmemmin tehoalueella, jolle sähkötyökalu on tarkoitettu.
  - Älä käytä sähkötyökalua, jota ei voida käynnistää ja pysäyttää käynnistyskytkimestä.** Sähkötyökalu, jota ei enää voida käynnistää ja pysäyttää käynnistyskytkimellä, on vaarallinen ja se täytyy korjata.
  - Irrota pistotulppa pistorasiasta ja/tai irrota akku (jos irrotettava) sähkötyökalusta, ennen kuin suoritat säätöjä, vaihdat tarvikkeita tai viet sähkötyökalun varastoon.** Nämä turvatoimenpiteet pienentävät sähkötyökalun tahattoman käynnistysriskin.
  - Säilytä sähkötyökalut poissa lasten ulottuvilta, kun niitä ei käytetä.** Älä anna sellaisten henkilöiden käyttää sähkötyökalua, jotka eivät tunne sitä tai jotka eivät ole lukeeneet tätä käyttöohjetta. Sähkötyökalut ovat vaarallisia, jos niitä käyttävät kokemattomat henkilöt.
  - Pidä sähkötyökalut ja tarvikkeet hyvässä kunnossa.** Tarkista, että liikkuvat osat toimivat moitteettomasti, eivätkä ole puristuksessa sekä, että siinä ei ole murtuneita tai vahingoittuneita osia, jotka saattaisivat vaikuttaa haitallisesti sähkötyökalun toimintaan. Anna korjauttaa mahdolliset viat ennen käyttöönottoa. Monen tapaturman syy löytyvät huonosti huolletuista laitteista.
  - Pidä leikkausterä terävänä ja puhtaina.** Huolellisesti hoidetut leikkausterätyökalut, joiden leikkauserunat ovat teräviä, eivät tartu helposti kiinni ja niitä on helpompi hallita.
  - Käytä sähkötyökaluja, tarvikkeita, vaihtotyökaluja jne. näiden ohjeiden mukaisesti.** Ota tällöin huomioon työolosuhteet ja suoritettava toimenpide. Sähkötyökalun käyttö muuhun kuin sille määrättyyn käyttöön, saattaa johtaa vaarallisiin tilanteisiin.
  - Pidä kahvat ja kädensijat kuivina ja puhtaina (öljytöminä ja rasvattomina).** Jos kahvat ja kädensijat ovat liukkaita, et pysty ylläpitävissä tilanteissa ohjaamaan ja hallitsemaan työkalua turvallisesti.
- ## 5) HUOLTO
- Anna koulutettujen ammattihenkilöiden korjata sähkötyökaluja ja hyväksy korjauksiin vain alkuperäisiä varoosia.** Täten varmistat, että sähkötyökalu säilyy turvallisena.

## SYMBOLIT



Käyttäjän täytyy lukea ohjekirja loukkaantumisvaaran vähentämiseksi



Varoitus



Käytä kuulosuojaimia



Käytä suojalaseja



Käytä pölysuojainta



Suojausluokka



Käytettyjä sähkölaitteita ei saa heittää pois kotitalousjätteen mukana. Toimita ne kierrätyspisteeseen. Lisätietoja kierrätyksestä saa paikallisilta viranomaisilta tai jälleenmyyjältä.

## KOMPONENTTILUETTELO

1. SÄÄDETTÄVÄN NOPEUDEN SÄÄTÖ
2. PÄÄLLE / POIS KYTKIN
3. KÄDENSIJAJA-ALUE
4. PÖYTÖKOHTA
5. SIVOUSPAPERILAPPA VIPU
6. SULJETTAVAN LUKITUS
7. PERUSMALLI
8. PAPER REI'ITYSYKSIKÖN
9. HIONTAKONE
10. IMUSOVITIN
11. PÖLJEN UUTTAMINEN (KATSO KUVA C)

FIN

## TEKNISET TIEDOT

Tyyppi DX45 (45-koneen määriykset, esimerkki tasohiomakone)

Nimellisjännite	220-240V~50/60Hz
Nimellisteho	240W
Nimellisoisuus Kuormittamattomana	6000-11000/min
Suojausluokka	/II
Pohjalevyn koko	90*187mm
Kiertoliikkeen halkaisija	1.6mm
Koneen paino	1.63kg

## MELUPÄÄSTÖT

A-painotettu äänenpaine	$L_{pA} = 78 \text{ dB(A)}$
A-painotettu ääniteho	$L_{wA} = 89 \text{ dB(A)}$
$K_{pA}$ & $K_{wA}$	3.0 dB(A)
<b>Käytä kuulonsuojaimia.</b>	

## TÄRINÄTASOT

EN 62841: n mukaiset kokonaistärinäarvot:	
Tärinäpäästö	$a_h = 6,0 \text{ m/s}^2$
	Epävarmuus K = 1.5 m/s <sup>2</sup>

Ilmoitettu tärinän kokonaisarvo ja ilmoitettu melupäästöarvo on mitattu standarditestausten mukaisesti, ja niitä voidaan käyttää verrattaessa työkaluja toisiinsa.

Ilmoitettua tärinän kokonaisarvoa ja ilmoitettua melupäästöjen arvoa voidaan myös käyttää alustavaan altistumisen arviointiin.



**VAROITUS:** Työkalun käytön todelliset tärinäarvot saattavat poiketa annetuista arvoista riippuen työkalun käyttötaavoista seuraavien määritelmien muiden käyttötapojen perusteella:

Kuinka työkalua käytetään ja mitä materiaaleja lahataan tai porataan. Onko työkalu hyvässä kunnossa ja hyvin huollettu.

Käytetäänkö työkalussa oikeita lisävarusteita ja ovatko ne teräviä ja hyväkuntoisia.

Kahvojen otteen pitävyys, jos työkalussa käytetään tärinää estäviä lisävarusteita.

Käytetäänkö työkalua asianmukaisesti ja näitä ohjeita noudattaen.

**Tämä työkalu saattaa aiheuttaa käsien/käsivarsien tärinäsyndrooman, jos laitetta ei käytetä oikein.**



**VAROITUS:** Altistustason arvioinnissa tulee tarkkuuden vuoksi ottaa huomioon todelliset käyttöolosuhteet, mukaan lukien aika, kun työkalu on kytketty pois päältä ja kun se käy joutokäynnillä. Tämä saattaa vähentää koko työajan yhteenlaskettua altistusaikaa huomattavasti.

Tärinälle altistumisriskin vähentäminen.

Käytä AINA teräviä taltoja, poria ja teriä.

Huolla tätä työkalua ohjeiden mukaisesti ja pidä työkalu hyvin voideltuna (soveltuissa kohdissa).

Jos työkalua käytetään säännöllisesti, hanki tärinää estävät lisävarusteet.

Vältä työkalun käyttämistä 10° C lämpötiloissa tai sitä viileämmässä.

Suunnittele työt siten, että paljon tärinää aiheuttavien töiden suorittaminen jakautuu usealle päivälle.

## LISÄVARUSTEET

Paperin lävistin	1
Imusovitin	1
80 Tiedot H&L hiontapaperi	1
Pöytököhta	1

Suosittelme ostamaan kaikki tarvikkeet samasta liikkeestä, josta hankit koneen. Katso tarkemmat tiedot kyseisen tarvikkeen pakkauksesta. Saat apua ja neuvoja myös myymälän henkilökunnalta.

FIN

## KÄYTTÖOHJEET



**HUOM:** Lue käyttöohjeet huolellisesti ennen työkalun käyttöä.

### MAHDOLLINEN KÄYTTÖ

Tämä kone on tarkoitettu puun, muovin, täyttöaineen ja peitettyjen pintojen kuivaan hiomiseen.

### KOMPONENTTI

#### 1. KORJAUSPAPERIN ASENNUS (KATSO KUVA A, B)

- Hiekkapaperi ilman koukku & silmukkejärjestelmää  
- Nosta hiekkapaperi paperikiinnitysvivua ja siirrä se ulos irrottaaksesi puristinvivun lukituksen. Käytä toista päätä Toista toisella kiinnitysvivulla.

Aseta hiekkapaperin pää noin 5 mm hiekkapaperin kiinnitysvivun alle. Nosta hiekkapaperin kiinnitysvivua uudelleen ja siirrä se takaisin puristinvivun lukitusasentoon paperin lukitsemiseksi. Paina hiekkapaperi pohjalevyn muotoon niin tiukasti kuin mahdollista ja kiinnitä sitten hiekkapaperin toinen pää.

Tarkista hiekkapaperi ja varmista aina, että hiekkapaperi on tiukasti kiinni pohjalevyssä ja kahden lukituskiinnikkeen alla.

- Hiomapaperi vanne & silmukkejärjestelmällä  
Kohdista hiomapaperi käsin ja paina se suoraan pohjalevylle. Paina hiomapaperia hiomakoneen tukevaksi tasaiselle alustalle varmistamiseksi, että se on kiinnitetty. Hiomapaperin ja alustan reikät tulee kohdistaa.

#### 2. PÖYTÖKOHDEN ASENNUS JA POISTAMINEN (KATSO KUVA C)

Hiomakoneesi on varustettu pölyrasialla. Aseta pölylaatikko asennusta varten takaosan pölyaukkoon, kunnes se on kunnolla kiinni. Irrota painamalla puristusvipuja (a) pölyrasian molemmilla puolilla ja liu'uta sitten pölyrasia ulos.

**VAROITUS:** Pölyn tai vieraan esineen kasvoosi tai silmiisi pääsyn mahdollisuuden ehkäisemiseksi älä koskaan yritä

käyttää hiomajonetta ilman pölypussia ilman sen sopivaa asentamista.

#### 3. TYHJÄT PÖYTÖKOHTA (KATSO KUVA D)

Tehokkaamman toiminnan saavuttamiseksi, tyhjennä pölypussit joka 5-10min. Tämän avulla ilma virtaa paremmin laatikon läpi.

Tyhjennä pölylaatikko, ota se ensin ulos pölyaukosta ja paina sitten pölylaatikon takana olevaa painiketta avataksesi pölyrasian takaosan ja ravista sitten pölypussia.

#### 4. SANDERIN LIITTÄMINEN IMUROIDA(KATSO KUVA E)

Hiomakoneesi on varustettu tyhjiösovitimella, jota käytetään erityisesti pölynkeräykseen. Aseta tyhjiösovitin takimmaisena pölynkeräysporttiin ja varmista, että se on kiristetty tiukasti. Kytke sitten adapteri pölynimurin letkuun.

Kytke ensin imuri päälle käytön aikana ja sitten hiomakone. Jos lopetat jauhatuksen, sammuta ensin hiomakone ja kytke sitten imuri pois päältä.

**HUOM:** Kytke adapteri aina 35 mm tyhjiöletkuun.

### OPERAATIO

#### 1. PÄÄLLE / POIS-KYTKIN KÄYTTÖ (KATSO KUVA F)

Liu'uta päälle / pois-kytkin eteenpäin toimiaksesi ja liu'uta taaksepäin pysähtyäksesi.

#### 2. MUUTTUVA NOPEUDEN SÄÄTÖ (KATSO KUVA G)

Säädettävän nopeuden ohjauksen avulla voidaan valita haluttu nopeus (ajonaika).

Vaadittava nopeus riippuu materiaalista ja se voidaan määrittää todellisilla testeillä.

#### 3. PAPER REI'ITYSYKSIKÖN (KATSO KUVA H)

Jos käytät hiekkapaperia ilman pölyreikoja, sinun on ensin reikättävä reikiä rei'itetyllä paperilla, jotta pöly poistuu kunnolla. Aseta rei'itys pohjalevylle siten, että rei'ityspuoli

on linjassa pohjalevyn reunan kanssa. Paina reikä reikään pohjalevyn reikien tekemiseksi hiekkapaperille. Poista sitten reiitys ja tarkista, että kaikki reiät on muodostettu oikein.

#### 4. PUHALTIMEN KÄYTTÖ

Kiillotettava työkappale on kiinnitettävä. Jos se on pieni tai voi liukua jauhamisen aikana, se on kiinnitettävä ruuveihin tai kiinnitettävä kunnolla.

Pidä hiontaa tukevasti kiinni hiomakoneen käynnistyksen aikana ja aseta se varovasti työkappaleeseen. Ensimmäisen kosketuksen aikana saattaa kuulua "potkua". Pidä hiontalaitetta niin, että se on tasaisesti työkappaleella ja liikkuu hitaasti, mieluiten tasaisella pyöreällä liikkeellä. Tarkasta säännöllisesti hiekkapaperin kunto ja vaihda se kulumisen jälkeen saataksesi parhaat tulokset.

## TYÖSKENTELYVIHJEITÄ VIIMEISTELYHIOMAKONEEN KÄYTTÖÖN

1. Jos sähkökone kuumenee liikaa erityisesti käytössä hitaalla nopeudella, säädä suurin nopeus ja jäähdytä moottoria käyttämällä sitä kuormittamatta 2-3 minuuttia. Vältä liian pitkää käyttöä hyvin pienillä nopeuksilla. Käytä aina hiomapaperia, joka on sopivaa hiottavalle materiaalille.
2. Varmista aina, että työkappale on tiukasti kiinni sen tahattoman liikahtamisen estämiseksi.
3. Kaikki työkappaleen liikkeet voivat vaikuttaa hiontajäljen laatuun.
4. Käynnistä hiomakone ennen hionnan alkua ja sammuta se vasta nostettuasi sen irti työkappaleen pinnasta. Parhaan tuloksen saavuttamiseksi hio puuta syiden suuntaan.
5. Älä aloita hiontaa ilman kiinnitettyä hiomapaperia.
6. Älä päästä hiomapaperia kulumaan liikaa, koska silloin pohjalevy voi vaurioitua. Takuu ei koske pohjalevyn kulumista.
7. Käytä karkearakeista paperia karkeiden pintojen hiontaan, keskikarkeaa pehmeille pinnoille ja hienorakeista pintojen viimeistelyyn. Tarvittaessa tee koehionta jätemateriaaliin.
8. Käytä ainoastaan hyvälaatuisia hiomapaperia.
9. Hiomapaperi säättää hionnan tehoa, ei käyttäjän työkaluun kohdistama voima. Liika voima heikentää hiontehoa ja ylikuormittaa moottoria. Hiekkapaperin säännöllinen vaihto pitää yllä parasta hiontehoa.

## HUOLTO

**Irrota pistoke pistorasiasta ennen kuin teet mitään säätöjä tai huoltoja.**

Kone ei vaadi voitelua eikä huoltoa.

Koneen sisällä ei ole käyttäjän huollettavia osia. Älä käytä vettä tai kemiallisia puhdistusaineita koneen puhdistukseen.

Pyyhi puhtaaksi kuivalla liinalla. Säilytä kone kuivassa paikassa. Pidä moottorin tuuletusaukot puhtaana. Pidä kytkimet ja säätimet pölyttöminä. Tuuletusaukoista näkyvä kipinöinti on normaalia eikä vahingoita konetta.

Jos virtajohto on vahingoittunut, se on sähköiskun välttämiseksi jätettävä valmistajan, valtuutetun huoltoedustajan tai vastaavan pätevän sähkötekniikon vaihdettavaksi.

## VIANMÄÄRITYS

1. Jos hiomakone ei toimi, tarkista virtajohtoon virta.
2. Jos hiomakone ei naarmuta pintaa, tarkista hiomapaperi. Jos hiekkapaperi on kulunut, vaihda se uuteen paperiin ja yritä uudelleen. Paperi on asetettava kuivaan paikkaan. Jos se on märkä, hiomahuikukset menettävät tarttuvuutensa taustapaperiin eivätkä kulu.
3. Jos hiomakone ei liiku tasaisesti, hiomapaperi voi irtoaa, vaurioitua tai rypistyä. Vaihda ja yritä uudelleen.
4. Jos vikaa ei voida korjata, palauta hiomakone valtuutettuun jälleenmyyjään korjattavaksi.

## YMPÄRISTÖN SUOJELU



Käytettyjä sähkölaitteita ei saa heittää pois kotitalousjätteen mukana. Toimita ne kierrätyspisteeseen. Lisäti-  
etoja kierrätyksestä saa paikallisilta viranomaisilta tai jälleenmyyjältä.

## VAATIMUSTENMUKAISUUS- VAKUUTUS

Me,  
POSITEC Germany GmbH  
Postfach 32 02 16, 50796 Cologne, Germany

Vakuutamme täten, että tuote  
Selostus: **1/3 ark Arkin hiomakone**  
Tyypit: **DX45 (45-koneen määritykset, esimerkki Tasohiomakone)**  
Toiminto: **Pintamateriaalin poistaminen abrasiivisen väliaineen kanssa**

Täyttää seuraavien direktiivien määräykset:  
**2006/42/EC, 2014/30/EU, 2011/65/EU&(EU)2015/863**

Yhdenmukaisuusstandardit  
**EN 55014-1, EN 55014-2, EN 62841-1, EN 62841-2-4, EN IEC 61000-3-2, EN 61000-3-3**

Henkilö valtuutettu laatimaan teknisen tiedoston,  
**Nimi Marcel Filz**  
**Osoite POSITEC Germany GmbH**  
**Postfach 32 02 16, 50796 Cologne, Germany**



2023/04/16  
Allen Ding  
Apulais Pääinsinööri, testaus ja sertifiointi  
Positec Technology (China) Co., Ltd  
18, Dongwang Road, Suzhou Industrial  
Park, Jiangsu 215123, P. R. China

# ORIGINAL DRIFTSINSTRUKS GENERELLE ADVARSLER FOR ELEKTROVERKTØY



**ADVARSEL:** Les alle sikkerhetsanvisningene, instruksjonene, illustrasjonene og spesifikasjonene som følger med dette elektroverktøyet. Manglende overholdelse av anvisningene nedenfor kan medføre elektrisk støt, brann og/eller alvorlige personskader.

Ta godt vare på alle advarslene og informasjonene.

Det nedenstående anvendte uttrykket "elektroverktøy" gjelder for strømdrevne (med ledning) og batteridrevne elektroverktøy (uten ledning).

## 1. SIKKERHET PÅ ARBEIDSPLASSEN

- Hold arbeidsområdet rent og ryddig. Rotete arbeidsområder eller arbeidsområder uten lys kan føre til ulykker.
- Ikke arbeid med elektroverktøyet i eksplosjonsutsatte omgivelser – der det befinner seg brennbare væsker, gass eller støv. Elektroverktøy lager gnister som kan antenne støv eller damper.
- Hold barn og andre personer unna når elektroverktøyet brukes. Hvis du blir forstyrret under arbeidet, kan du miste kontrollen over elektroverktøyet.

## 2) ELEKTRISK SIKKERHET

- Støpselet til elektroverktøyet må passe inn i stikkkontakten. Støpselet må ikke forandres på noen som helst måte. Ikke bruk adapterstøpsler sammen med jordede maskiner. Bruk av støpsler som ikke er forandret på og passende stikkontakter reduserer risikoen for elektriske støt.
- Unngå kroppskontakt med jordede overflater slik som rør, ovner, komfyrer og kjøleskap. Det er større fare ved elektriske støt hvis kroppen din er jordet.
- Hold elektroverktøyet unna regn eller fuktighet. Dersom det kommer vann i et elektroverktøy, øker risikoen for elektriske støt.
- Ikke bruk ledningen til andre formål, f.eks. til å bære elektroverktøyet, henge den opp eller trekke den ut av stikkkontakten. Hold ledningen unna varme, olje, skarpe kanter eller maskindeler som beveger seg. Med skadede eller opphopede ledninger øker risikoen for elektriske støt.
- Når du arbeider utendørs med et elektroverktøy, må du kun bruke en skjøteledning som er godkjent til utendørs bruk. Når du bruker en skjøteledning som er egnet for utendørs bruk, reduseres risikoen for elektriske støt.
- Hvis det ikke kan unngås å bruke elektroverktøyet i fuktige omgivelser, må du bruke en jordfeilbryter. Bruk av en jordfeilbryter reduserer risikoen for elektriske støt.

## 3) PERSONSIKKERHET

- Vær oppmerksom, pass på hva du gjør, gå fornuftig frem når du arbeider med et elektroverktøy. Ikke bruk elektroverktøyet når du er trett eller er påvirket av narkotika, alkohol eller medikamenter. Et øyeblikks uoppmerksomhet ved bruk av elektroverktøyet kan føre til alvorlige skader.
- Bruk personlig verneutstyr og husk alltid å bruke vernebriller. Bruk av personlig sikkerhetsutstyr som støvmaske, sklifaste arbeidssko, hjelm eller hørselvern – avhengig av type og bruk av elektroverktøyet – reduserer risikoen for skader.
- Unngå å starte verktøyet ved en feiltagelse. Forvis deg om at elektroverktøyet er slått av for du kobler det til strømmen

og/eller batteriet, løfter det opp eller bærer det. Hvis du holder fingeren på bryteren når du bærer elektroverktøyet eller kobler elektroverktøyet til strømmen i innkoblet tilstand, kan dette føre til uhell.

- Fjern innstillingsverktøy eller skrunøkler før du slår på elektroverktøyet. Et verktøy eller en nøkkel som befinner seg i en roterende maskindel, kan føre til skader.
- Ikke overvurder deg selv. Sørg for å stå stødig og i balanse. Dermed kan du kontrollere elektroverktøyet bedre i uventede situasjoner.
- Bruk alltid egnede klær. Ikke bruk vide klær eller smykker. Hold hår og klær unna deler som beveger seg. Løst sittende tøy, smykker eller langt hår kan komme inn i deler som beveger seg.
- Hvis det kan monteres støvavsug- og oppsamlingsinnretninger, må du forvisse deg om at disse er tilkoblet og brukes på korrekt måte. Bruk av et støvavsug reduserer faren på grunn av støv.
- Selv når du er blitt vant til verktøyet, må du ikke bli sløv og ignorere sikkerhetsreglene for verktøyet. En uforsiktig handling kan forårsake alvorlig personskade i løpet av et brøkdels sekund.

## 4. AKTSOM HÅNDTERING OG BRUK AV ELEKTROVERKTØY

- Ikke overbelast elektroverktøyet. Bruk et elektroverktøy som er beregnet til den type arbeid du vil utføre. Med et passende elektroverktøy arbeider du bedre og sikrer i det angitte effektområdet.
- Ikke bruk elektroverktøy med defekt på-/avbryter. Et elektroverktøy som ikke lenger kan slås av eller på, er farlig og må repareres.
- Trekk støpselet ut av stikkkontakten og/eller fjern batteriet (hvis demonterbart) før du utfører innstillinger på elektroverktøyet, skifter tilbehørsdeler eller legger elektroverktøyet bort. Disse tiltakene forhindrer en utilsiktet startung av elektroverktøyet.
- Elektroverktøy som ikke er i bruk må oppbevares utilgjengelig for barn. Ikke la elektroverktøyet brukes av personer som ikke er fortrolig med dette eller ikke har lest disse anvisningene. Elektroverktøy er farlige når de brukes av uerfarne personer.
- Vær nøye med vedlikeholdet av elektroverktøyet og tilbehøret. Kontroller om bevegelige maskindeler fungerer feilfritt og ikke klemmes fast, og om deler er brukket eller skadet, slik at dette innvirker på elektroverktøyet funksjon. La skadede deler repareres før elektroverktøyet brukes. Dårlig vedlikeholdte elektroverktøy er årsaken til mange uhell.
- Hold skjæreverktøyene skarpe og rene. Godt stelte skjæreverktøy med skarpe skjær setter seg ikke så ofte fast og er lettere å føre.
- Bruk elektroverktøy, tilbehør, verktøy osv. i henhold til disse anvisningene. Ta hensyn til arbeidsforholdene og arbeidet som skal utføres. Bruk av elektroverktøy til andre formål enn det som er angitt kan føre til farlige situasjoner.
- Hold håndtak og gripelater tørre, rene og uten olje eller fett. Glatte håndtak og gripelater hindrer sikker håndtering og styring av verktøyet i uventede situasjoner.

## 5) SERVICE

- Maskinen din skal alltid kun repareres av kvalifisert fagpersonale og kun med originale reservedeler. Slik opprettholdes elektroverktøyet sikkerhet.

## SYMBOLER



For å redusere risikoen for personskade, må brukeren lese instruksjonsveiledningen



Advarsel



Bruk hørselsvern



Bruk vernebriller



Bruk støvmaske



Beskyttelsesklasse



Avfall fra elektriske produkter må ikke legges sammen med husholdningsavfall. Vennligst resirkuler avfallet der miljøstasjon finnes. Undersøk hos de lokale myndighetene eller en detaljist for resirkuleringsråd.

## KOMPONENTLISTE

1. VARIABEL HASTIGHETSKONTROLL
2. PÅ / AV BRYTER
3. HÅNDGREPSOMRÅDET
4. STØVBOKS
5. SANDPAPIR KLEMME SPAKE
6. KLEMME SPAKE LÅS
7. GRUNNPLATE I ALUMINIUM
8. PAPIRSTANS
9. SLIPEPAPIR
10. VAKUUMADAPTER
11. STØVUTTREKK (SE FIG. C)

NOR

## TEKNISKE DATA

Type DX45 (45-betegner maskin, anger plansliper)

Merkespenning	220-240V~50/60Hz
Merkeytelse	240W
Nominell Tomgangshastighet	6000-11000/min
Beskyttelsesklasse	□/II
Bunnplatestørrelse	90*187mm
Rotasjonsdiameter	1.6mm
Maskinvekt	1.63kg

## STØYINFORMASJON

Belastning lydtrykk	$L_{pA} = 78$ dB(A)
Belastning lydeffekt	$L_{wA} = 89$ dB(A)
$K_{pA}$ & $K_{wA}$	3.0 dB(A)
<b>Bruk hørselsvern.</b>	

## VIBRASJONSINFORMASJON

Totale vibrasjonsverdier satt i henhold til EN 62841:	
Vibrasjonutsendingsverdi	$a_h = 6,0$ m/s <sup>2</sup>
	Usikkerhet K = 1.5 m/s <sup>2</sup>

Den oppgitte totale vibrasjonsverdien og den oppgitte støytutslippsverdien er målt i henhold til en standard testmetode og kan brukes for sammenligning av et verktøy med et annet.

Den oppgitte totale vibrasjonsverdien og den oppgitte støytutslippsverdien kan også brukes i en innledende eksponeringsvurdering.



**ADVARSEL:** Vibrasjons- og støynivå under faktisk bruk av verktøyet kan avvike fra oppgitt verdi, avhengig av hvordan verktøyet brukes og hvilken type materiale det brukes på, se følgende eksempler og andre variasjoner for bruk av verktøyet. Hvordan verktøyet brukes og hvilke materialer som kappes eller bores. Verktøyet er i god stand og godt vedlikeholdt. Bruk av riktig tilbehør for verktøyet, og sørg for at det er skarpt og i god stand. Hvor stramt grepet på håndtakene er, og om det brukes antivibrasjonstilbehør. Og at verktøyet blir brukt til det formålet det er tilsiktet i henhold til designet og disse instruksjonene.

**Dette verktøyet kan forårsake hånd-arm vibrasjonssyndrom, hvis det ikke brukes riktig.**



**ADVARSEL:** For å være nøyaktig, bør også et overslag over eksponeringsnivå under faktiske bruksforhold også tas med i betraktning i alle deler av driftssyklusen, slik som når verktøyet er skrudd av og når det går på tomgang, men ikke faktisk gjør jobben. Dette kan redusere eksponeringsnivået betraktelig over hele arbeidsperioden. Minimerer eksponeringsrisiko for vibrasjon og støv. Bruk ALLTID skarpe meisler, driller og blad. Vedlikehold verktøyet i henhold til disse instruksjonene og sørg for at det er godt smurt (der det er hensiktsmessig). Investér i tilbehør for demping av vibrasjon og støv hvis verktøyet skal brukes regelmessig. Planlegg arbeidstidplanen din slik at du sprer bruk av høyvibrasjonsverktøy utover flere dager.

## LISÄVARUSTEET

Papirstans	1
Vakuuadapter	1
80 Etterbehandling av slipepapir	1
Støvboks	1

Suosittelmele ostamaan lisävarusteita myymälästä, jossa työkalua myydään. Katso lisävarustepaketti. Kaupan henkilökunta voi auttaa ja neuvoa sinua.

NOR

## BRUKSANVISNING



**MERK:** Les bruksanvisningen nøye før du bruker verktøyet.

### MULIG BRUK

Maskinen brukes til tørrsliping av tre, plast, fyllstoff og belagte overflater.

### KOMPONENT

#### 1. INSTALLER SANDPAPIRET (SE FIG. A, B)

- Slipepapir uten krok og sløyfesystem  
Løft sandpapiirklipsspaken igjen og flytt den tilbake til klemmelåsposisjonen for å låse papiret. Gjenta med den andre klemspaken på motsatt side.  
Sett inn ca. 5 mm av enden av sandpapiret under sandpapiirklemmen. Løft sandpapiirklipsspaken igjen og flytt den tilbake til klemmelåsposisjonen for å låse papiret. Trykk sandpapiret så tett som mulig på såleformen og fest den andre enden av sandpapiret.  
Kontroller sandpapiret, og sørg alltid for at det er godt festet til sålen og under de to låsearmaturene.  
- Sandpapir med ringsystem  
Juster sandpapiret etter hånden og trykk direkte på sålen. Trykk sliperen godt på en flat overflate med sandpapir for å sikre at den er sikret. Hullene i sandpapiret og underlaget skal skylles.

#### 2. MONTERING OG FJERNING AV STØVBOKSEN (SE FIG. C)

Sliperen er utstyrt med en støvboks. Sett støvboksen inn i støvuttaket bak til den er festet. Trykk utløserpaken (a) på begge sider av støvboksen og skyv støvboksen ut.  
**ADVARSEL:** For å forhindre at støv eller fremmedlegemer faller ned i ansiktet eller øynene, må du ikke bruke slipe-maskinen uten å installere støvposen ordentlig.

#### 3. TØM STØVBOKSEN (SE FIG. D)

For å forbedre driftseffektiviteten tømmes støvposen hvert 5-10 minutt. Dette vil tillate luften å strømme bedre gjennom boksen.

For å tømme støvpakken, fjern den først fra støvbeholderen, trykk på knappen på baksiden av støvboksen for å åpne baksiden av støvpakken, og rist deretter av støvpakken.

#### 4. FEST SLIPEMASKINE TIL STØVSUGET (SE FIG. E)

Sliperen er utstyrt med en vakuuadapter designet for støvopsamlingsoppgaver. Sett vakuuadapteren inn i støvporten bak, og kontroller at den er godt strammet. Deretter kobler adapteren til slangen av en støvsuger. Når du er i bruk, slå på støvsugeren før du slår på sliperen. Hvis du slutter å slippe, slå av sliperen og slå av støvsugeren.  
**MERK:** Koble alltid adapteren med en 35mm vakuu slang.

### DRIFTS

#### 1. BRUK AV AV/PÅ KNAPPEN (SE FIG. F)

Skyv av / på-bryteren fremover for bruk, og skyv den bakover for å stoppe.

#### 2. VARIABEL HASTIGHETSKONTROLL (SE FIG. G)

Med variabel hastighetskontroll kan den nødvendige hastigheten velges (også når du løper). Den nødvendige hastigheten avhenger av materialet og kan bestemmes ved faktiske tester.

#### 3. PAPIRHULL PRESSE(SE FIG. H)

Hvis sandpapir uten støvhull brukes, bør du først bruke stanspapir for å lage hull for å sikre riktig fjerning av støv. Plasser puncher på underlaget slik at siden av puncher er på linje med kanten av underlaget. Trykk puncheren inn i underlaget for å slå hull i sandpapiret. Fjern deretter stansen og kontroller at alle hullene dannes riktig.



#### 4. VED HJELP AV EN VIFTE

Slipedelen må fikses. Hvis den er liten eller kan bevege seg under sliping, må den holdes i en løkke eller tas vare på. Pass på å holde sliperen godt mens du åpner den, og påfør den forsiktig på arbeidsstykket, som kan "sparke" den første kontakten. Hold sliper for å arbeide og bevege deg sakte, helst i en jevn, sirkulær bevegelse. Kontroller tilstanden til sandpapiret regelmessig og skift det ut etter slitasje for best resultat.

## ARBEIDSTIPS FOR SLIPEMASKINEN

1. Hvis elektroverktøyet blir for varmt, spesielt etter bruk på lave hastigheter, sett hastigheten på maksimum og kjør på tomgang i 2-3 minutter for å kjøle ned motoren. Unngå forlenget bruk på veldig lave hastigheter. Bruk alltid sandpapir som passer materialet du ønsker å slippe.
2. Sørg alltid for at arbeidsstykket holdes fast eller fastspennes for å hindre bevegelser.
3. Enhver bevegelse av materialet kan påvirke kvaliteten på slipearbeidet.
4. Start slipemaskinen før du begynner å slippe og skru den av etter at du har sluttet å slippe. For best resultat, slip tre i treet's fiberretning..
5. Ikke start sliping uten å ha tilpasset sandpapiret.
6. Ikke la sandpapiret slites vekk da dette vil ødelegge bunnplaten. Garantien dekker ikke bunnplaten's slitasje.
7. Bruk grovt sandpapir til å slippe grove overflater, medium sandpapir for glatte overflater og fint sandpapir for finpussen. Om nødvendig, gjør en test på et restmateriale.
8. Bruk kun sandpapir av god kvalitet.
9. Sandpapiret bestemmer slipeeffekten, ikke hvor mye kraft du bruker på verktøyet. Overdreven kraft vil redusere slipeeffekten og kan forårsake overbelastning av motoren. Regelmessig utskifting av sandpapir vil sørge for at slipeeffekten stadig er best mulig.

## VEDLIKEHOLD

**Ta ut støpselet fra stikkkontakten før du foretar justeringer, service eller vedlikehold.**

Det elektriske verktøyet trenger ikke ytterligere smøring eller vedlikehold.

Det er ingen brukernyttige deler i det elektriske verktøyet. Bruk aldri vann eller kjemiske rensmidler for å rense verktøyet. Tørk av med en tørr klut. Du må alltid lagre verktøyet på en tørr plass. Hold alltid motorens ventilasjonskanaler rene. Hold alle betjeningskontrollene fri for støv. Hvis du ser gnister i ventilasjonskanalene, er dette normalt og vil ikke skade verktøyet.

Hvis den medfølgende ledningen er beskadiget må den erstattes av produsenten, serviceagenten eller andre kvalifiserte personer for å unngå risiko.

## FEILSØKING

1. Hvis sliperen ikke fungerer, kontrollerer du strømforsyningen på strømforsyningen.
2. Hvis kvernen ikke riper overflaten, kontroller slipepapiret. Hvis sandpapiret er slitt, må du skifte ut det nye papiret og prøve på nytt. Papiret må holdes på et tørt sted, og hvis de våte, vil slipende partikler miste vedhende til lineren og vil ikke ha på seg.
3. Hvis slipemaskinen beveger seg ujevnt, kan slipepapiret løsne, skade eller rykke.

Vennligst skift ut og prøv på nytt.

4. Hvis feilen ikke kan korrigeres, returnersliperen til en autorisert forhandler for reparasjon.

## MILJØVERNTILTAK



Avfall etter elektriske produkter må ikke legges sammen med husholdningsavfall. Vennligst resirkuler avfallet der dette finnes. Undersøk hos de lokale myndighetene eller en detaljist for resirkuleringsråd.

## SAMSVARERKLÆRING

Vi,  
POSITEC Germany GmbH  
Postfach 32 02 16, 50796 Cologne, Germany

Erklærer at produktet  
Beskrivelse: **1/3 ark slipemaskin**  
Type: **DX45 (45-betegner maskin, anger plansliper)**  
Funksjon: **Fjerne overflatematerialer med et slipemiddel**

Samsvarer med følgende direktiver,  
**2006/42/EC, 2014/30/EU, 2011/65/EU&(EU)2015/863**

Standardene samsvarer med  
**EN 55014-1, EN 55014-2, EN 62841-1, EN 62841-2-4, EN IEC 61000-3-2, EN 61000-3-3**

Personen som er autorisert til å utarbeide den tekniske filen,

**Navn Marcel Filz**  
**Adresse POSITEC Germany GmbH**  
**Postfach 32 02 16, 50796 Cologne, Germany**



2023/04/16  
Allen Ding  
Visesjefsingeniør, Testing og Sertifisering  
Positec Technology (China) Co., Ltd  
18, Dongwang Road, Suzhou Industrial  
Park, Jiangsu 215123, P. R. China

NOR

# ORIGINAL BRUGSANVISNING

## GENERELLE

### SIKKERHEDSINSTRUKSER FOR EL-VÆRKTØJ



**ADVARSEL:** Læs alle sikkerhedsadvarsler, instruktioner, illustrationer og specifikationer, som følger med el-værktøjet. I tilfælde af manglende overholdelse af anvisningerne nedenfor er der risiko for elektrisk stød, brand og/eller alvorlige personskader.

Gem alle advarsler og instruktioner til senere brug.

Begrebet "el-værktøj" i advarselerne refererer til el-værktøj, der kører på lysnettet, (med netkabel) samt akku-værktøj (uden netkabel).

#### 1) SIKKERHED PÅ ARBEJDSPLADSEN

- Sørg for, at arbejdsområdet er rent og ryddeligt. Uorden eller uoplyste arbejdsområder øger faren for uheld.
- Brug ikke el-værktøjet i eksplosionsstruede omgivelser, hvor der er brændbare væsker, gasser eller støv. El-værktøj kan slå gnister, der kan antænde støv eller dampe.
- Sørg for, at andre personer og ikke mindst børn holdes væk fra arbejdsområdet, når el-værktøjet er i brug. Hvis man distraheres, kan man miste kontrollen over el-værktøjet.

#### 2) ELEKTRISK SIKKERHED

- El-værktøjets stik skal passe til kontakten. Stikket må under ingen omstændigheder ændres. Brug ikke adapterstik sammen med jordforbundet el-værktøj. Uændrede stik, der passer til kontakterne, nedsætter risikoen for elektrisk stød.
- Undgå kropskontakt med jordforbundne overflader som f.eks. rør, radiatorer, komfurer og køleskabe. Hvis din krop er jordforbundet, øges risikoen for elektrisk stød.
- El-værktøjet må ikke udsættes for regn eller fugt. Indtrængning af vand i et el-værktøj øger risikoen for elektrisk stød.
- Brug ikke ledningen til formål, den ikke er beregnet til. Du må aldrig bære el-værktøjet i ledningen, hænge el-værktøjet op i ledningen eller rykke i ledningen for at trække stikket ud af kontakten. Beskyt ledningen mod varme, olie, skarpe kanter eller maskindele, der er i bevægelse. Beskadigede eller udviklede ledninger øger risikoen for elektrisk stød.
- Hvis el-værktøjet benyttes i det fri, må der kun benyttes en forlængerledning, der er egnet til udendørs brug. Brug af forlængerledning til udendørs brug nedsætter risikoen for elektrisk stød.
- Hvis det ikke kan undgås at bruge el-værktøjet i fugtige omgivelser, skal der bruges et HFI-relæ. Brug af et HFI-relæ reducerer risikoen for at få elektrisk stød.

#### 3) PERSONLIG SIKKERHED

- Det er vigtigt at være opmærksom, se, hvad man laver, og bruge el-værktøjet fornuftigt. Brug ikke noget el-værktøj, hvis du er træt, har nydt alkohol eller er påvirket af medikamenter eller euforiserende stoffer. Få sekunders uopmærksomhed ved brug af el-værktøjet kan føre til alvorlige personskader.
- Brug beskyttelsesudstyr og hav altid beskyttelsesbriller på. Brug af sikkerhedsudstyr som f.eks. støvmaske, skridsikkert fodtøj, beskyttelseshjelm eller høreværn afhængig af maskintype og anvendelse nedsætter risikoen for personskader.
- Undgå utilsigtet igangsætning. Kontrollér, at el-værktøjet

er slukket, før du tilslutter det til strømtilførslen og/eller akkuen, løfter eller bærer det. Undgå at bære el-værktøjet med fingeren på afbryderen og sørg for, at el-værktøjet ikke er tændt, når det slutes til nettet, da dette øger risikoen for personskader.

- Gør det til en vane altid at fjerne indstillingsværktøj eller skruenøgler, før el-værktøjet tændes. Hvis et stykke værktøj eller en nøgle sidder i en roterende maskindel, er der risiko for personskader.
- Undgå en unormal legemssposition. Sørg for at stå sikkert, mens der arbejdes, og kom ikke ud af balance. Dermed har du bedre muligheder for at kontrollere el-værktøjet, hvis der skulle opstå uventede situationer.
- Brug egnet arbejdstøj. Undgå løse beklædningsgenstande eller smykker. Hold hår og tøj væk fra dele, der bevæger sig. Dele, der er i bevægelse, kan gribe fat i løstsiddende tøj, smykker eller langt hår.
- Hvis støvsugnings- og opsamlingsudstyr kan monteres, er det vigtigt, at dette tilslutes og benyttes korrekt. Brug af en støvsugning kan reducere støvmængden og dermed den fare, der er forbundet støv.
- Selvom du kender værktøjet godt og er vant til at bruge det, skal du alligevel være opmærksom og overholde sikkerhedsanvisningerne. Et øjeblikvis uopmærksomhed kan medføre alvorlige personskader.

#### 4) OMHYGGELIG OMGANG MED OG BRUG AF EL-VÆRKTØJ

- Undgå overbelastning af el-værktøjet. Brug altid et el-værktøj, der er beregnet til det stykke arbejde, der skal udføres. Med det passende el-værktøj arbejder man bedst og mest sikkert inden for det angivne effektområde.
  - Brug ikke et el-værktøj, hvis afbryder er defekt. Et el-værktøj, der ikke kan startes og stoppes, er farligt og skal repareres.
  - Træk stikket ud af stikkontakten og/eller fjern akkuen, hvis den er aftagelig, før maskinen indstilles, før skift af tilbehørsdele eller før el-værktøjet lægges til opbevaring. Disse sikkerhedsforanstaltninger forhindrer utilsigtet start af el-værktøjet.
  - Opbevar ubenyttet el-værktøj uden for børns rækkevidde. Lad aldrig personer, der ikke er fortrolige med el-værktøjet eller ikke har gennemlæst disse instrukser, benytte el-værktøjet. El-værktøj er farligt, hvis det benyttes af ukyndige personer.
  - Vedligehold el-værktøj og tilbehørsdele. Kontroller, om bevægelige maskindele fungerer korrekt og ikke sidder fast, og om delene er brækket eller beskadiget, således at el-værktøjets funktion påvirkes. Få beskadigede dele repareret, inden el-værktøjet tages i brug. Mange uheld skyldes dårligt vedligeholdte el-værktøjer.
  - Sørg for, at skæreværktøjer er skarpe og rene. Omhyggeligt vedligeholdte skæreværktøjer med skarpe skærekanter sætter sig ikke så hurtigt fast og er nemmere at føre.
  - Brug el-værktøj, tilbehør, indsatsværktøj osv. iht. disse instrukser. Tag hensyn til arbejdsforholdene og det arbejde, der skal udføres. Anvendelse af el-værktøjet til formål, som ligger uden for det fastsatte anvendelsesområde, kan føre til farlige situationer.
  - Hold håndtag og gribeblader tørre, rene og fri for olie og smørefedt. Hvis håndtag og gribeblader er glatte, kan værktøjet ikke håndteres og styres sikkert, hvis der sker noget uventet.
- #### 5) SERVICE
- Sørg for, at el-værktøj kun repareres af kvalificerede fagfolk og at der kun benyttes originale reservedele. Dermed sikres størst mulig maskinsikkerhed.

## SYMBOLER



For at undgå risikoen for personskader skal brugeren læse brugervejledningen



Advarsel



Bær høreværn



Bær øjenværn



Bær støvmaske



Isolationsklasse



Affald af elektriske produkter må ikke bortskaffes sammen med husholdningsaffald. Indlever så vidt muligt produktet til genbrug. Kontakt de lokale myndigheder eller forhandleren, hvis du er i tvivl.

## KOMPONENTLISTE

1. VARIABEL HASTIGHEDSKONTROL
2. TÆND /SLUK KONTAKT
3. HÅNDGREBSOMRÅDE
4. STØVBOKS
5. SANDPAPIRKLEMMEHÅNDTAG
6. KLEMMEHÅNDTAGSLÅS
7. ALUMINIUMSBUNDPLADE
8. PAPIRHULMASKINE
9. SANDPAPIR
10. VAKUUMADAPTER
11. STØVFJERNELSESDUGANG (SE FIGUR C)

DK

## TEKNISKE DATA

Type DX45 (45-udpegning af maskiner, repræsentant for pudsemaskine)

Spænding	220-240V~50/60Hz
Effekt	240W
Friløbshastighed	6000-11000/min
Isolationsklasse	□/II
Fodpladestørrelse	90*187mm
Orbitaldia	1.6mm
Maskinvægt	1.63kg

## STØJINFORMATION

A-vægtet lydtrykniveau	$L_{pA} = 78$ dB(A)
A-vægtet lydeffektniveau	$L_{wA} = 89$ dB(A)
$K_{pA}$ & $K_{wA}$	3.0 dB(A)
<b>Bær høreværn</b>	

## VIBRATIONSINFORMATION

Den totale værdi for vibration målt ifølge EN 62841:	
Værdi for vibration	$a_h = 6,0$ m/s <sup>2</sup>
	Usikkerhed $K = 1.5$ m/s <sup>2</sup>

Den angivne vibrationstotalværdi og den deklarerede støjemissionsværdi er målt i overensstemmelse med en standard testmetode og kan bruges til at sammenligne et værktøj med et andet.

Den angivne vibrationenstotalværdi og den angivne støjemissionsværdi kan også anvendes i en foreløbig vurdering af eksponeringen.



**ADVARSEL:** Vibrationer og støjemissioner under selve brugen af elværktøjet kan afvige fra den deklarerede værdi afhængigt af, hvordan værktøjet bruges, især hvad slags emne behandles afhængigt af følgende eksempler og andre variationer af, hvordan værktøjet bliver brugt.

Hvordan værktøjet bruges og materialerne skæres eller bores.

Værktøjets stand og vedligeholdelse.

Anvendelse af korrekt tilbehør og kontrol med, at det er skarpt og i en i det hele taget god tilstand.

Hvor kraftigt, der holdes fast i håndtaget og, om der benyttes antivibrationsudstyr.

Om værktøjet anvendes i henhold til dets konstruktion og nærværende anvisninger.

**Værktøjet kan medføre et hånd/arm-vibrationssyndrom, hvis det ikke bruges på rigtig måde.**



**ADVARSEL:** En vurdering af udsættelsesgraden under det aktuelle brug skal omfatte alle dele af arbejds cyklussen, herunder antallet af gange værktøjet slås til og fra, og tomgangsdriften uden for selve arbejdsopgaven. Dette kan afgørende reducere udsættelsesniveauet i den samlede arbejdsperiode.

Hjælper med at minimere risikoen for vibrationer og støjeksposering.

Brug ALTID skarpe mejsler, bor og blade.

Vedligehold værktøjet i overensstemmelse med disse instruktioner og hold det korrekt smurt (hvor det er nødvendigt).

Hvis værktøjet skal bruges regelmæssigt, skal du investere i anti-vibrations- og støj tilbehør.

Planlæg dit arbejde, så du kan fordele arbejde med kraftige vibrationer over flere dage.

## TILBEHØR

Papirhulmaskine	1
Vakuumadapter	1
80 korns, sandpapir	1
Støvboks	1

Vi anbefaler, at du køber tilbehør fra den butik, hvor værktøjet sælges. Se tilbehørspakken for flere detaljer. Butikspersonale kan hjælpe og rådgive dig.

## BRUGSANVISNING



**BEMÆRK:** Læs brugsanvisningen omhyggeligt, inden du bruger værktøjet.

### MULIG ANVENDELSE

Denne maskine er designet til tør slibning af træ, plast, fyldstof og overtrukne overflader.

### SAMLING

#### 1. FASTGØRELSE AF SANDPAPIR (SE FIGUR A, B)

- Sandpapir uden krog og løkke system

Løft sand papirets klemmehåndtag og flyt det væk fra klemmehåndtagsslåsen. Gentag med det andet klemmehåndtag på den modsatte side.

Stik cirka 5 mm af den ene ende af sandpapiret under sandpapirklemmens håndtag. Løft sandpapirklemmens håndtag igen og flyt den tilbage til klemmehåndtagets låseposition for at låse papiret fast. Tryk sandpapiret rundt om basepladen, så stramt som muligt og fastgør den anden ende af sandpapiret. Tjek sandpapiret og sørg altid for, at det er stramt henover basepladen og sikret under begge låseklemmer.

- Sandpapir med krog og løkke system  
Juster og tryk direkte på sandpapiret på basepladen med hånden. Tryk sliberen med sandpapir mod en flad overflade for at sikre at papiret sidder godt fast. Hullerne på sandpapiret og basepladen skal justeres ordentligt.

#### 2. FASTGØRING OG FJERNELSE AF STØVBOKSEN (SE FIGUR C)

Din sliber er udstyret med en støvboks. For at sætte den fast skubbes støvboksen ind i den bagerste støvfjernelsesudgang indtil den sidder godt fast. For at fjerne den, trykkes udløserhåndtaget (a) på begge sider af støvboksen og støvboksen skubbes ud.

**FORSIGTIG:** For at forhindre at støv eller fremmede objekter

kommer i dit ansigt eller øjne, må du aldrig forsøge at bruge slibemaskinen uden at støvboksen er ordentligt monteret.

#### 3. TØM STØVBOKSEN (SE FIGUR D)

For mere effektiv betjening skal du tømme støvposen hvert 5-10 minut. Dette vil gøre at luften vil flyde nemmere gennem boksen. For at tømme støvboksen, fjerner du den først fra støvfjernelsesudgangen, tryk på knappen på bagsiden af boksen for at åbne det bagerste af boksen, så kan du ryste støvet ud.

#### 4. TILSLUTTE SLIBEREN TIL EN STØVSUGER (SE FIGUR E)

Din sliber er udstyret med en støvsugerfritting, som er designet til at opsamle støv. Sæt støvsugerfrittingen ind i den bagerste støvfjernelsesudgang og sørg for at den sidder godt fast. Herefter forbindes forlængeren til slangen på en støvsuger. Når den skal bruges, skal du først tænde støvsugeren og så sliberen. Hvis du stopper med at slibe, skal du først slukke sliberen og så støvsugeren.

**BEMÆRK:** Forbind venligst altid forlængeren med en 35 mm støvsugerslange.

### OPERATING

#### 1. FUNKTION AF TÆND/SLUK KONTAKTEN (SE FIGUR F)

Skub tænd/sluk kontakten fremad for at starte og skub den baglæns for at stoppe.

#### 2. VARIABEL HASTIGHEDSKONTROL (SE FIGUR G)

Med den variable hastighedskontrol, kan den ønskede hastighed vælges (også mens den er i brug)  
Den krævede hastighed afhænger af materialet og kan bestemmes ved faktiske test.

#### 3. HULMASKINE (SE FIGUR H)

Hvis du bruger sandpapir uden støvhuller, skal du først bruge hulmaskinen til at lave huller, så du kan sikre korrekt

støvfjernelse. Placer hulmaskinen over basepladen, så hullerne passer med kanten af basepladen. Tryk hulmaskinen ind i basepladen, for at lave huller i sandpapiret. Herefter fjernes hulmaskinen og tjek at alle huller er formet korrekt.

#### 4. BRUG AF EN BLÆSER

Arbejdsobjektet der skal slibes, skal sættes fast. Hvis det er småt eller det kan bevæge sig under slibningen, skal det sættes fast i en skruevinge eller passende klemme.

Sørg for at holde godt fast i sliberen mens den er tændt og tryk den forsigtigt mod objektet, den kan give bagslag ved første kontakt. Hold pudseren så den er flat på objektet og bevæg den langsomt, helst med en glat, cirkulende bevægelse. Tjek jævnligt at sandpapiret er helt og udskift det når det er slidt, for at få det bedste resultat.

## TIPS NÅR DU ARBEJDE MED RYSTEPUDSER

1. Hvis dit værktøj bliver for varmt, især når det bruges ved lav hastighed, skal du sætte hastigheden til maksimum og lade det køre uden belastning 2-3 minutter for at afkøle motoren. Undgå forlænget brug ved meget lav hastighed. Brug altid slibepapir, der er velegnet til det materiale, du ønsker at slibe.
2. Sørg altid for, at arbejdsområdet holdes fast eller spændes fast for at forhindre, at det bevæges.
3. Enhver bevægelse af materialet kan påvirke slibekvaliteten.
4. Start din sliber, før du skal slibe, og sluk først for den, når du er færdig med at slibe. For at opnå bedste resultater, skal du slibe træ i åreretningen.
5. Begynd ikke slibning uden påsat slibepapir.
6. Sørg for, at slibepapiret ikke slides helt væk, da det vil beskadige fodpladen. Garantien dækker ikke slitage på fodpladen.
7. Brug grovkornet slibepapir til slibning af grove overflader, mediumkornet slibepapir til bløde overflader og finkornet slibepapir til afsluttende slibning. Om nødvendig, så udfør en testkørsel på affaldsmateriale.
8. Brug kun slibepapir i god kvalitet.
9. Slibepapiret bestemmer slibeeffekten, ikke den kraft du bruger på værktøjet. Overdreven kraft vil reducere slibeeffekten og medføre overbelastning af motoren. Jævnlig udskiftning af slibepapiret vil opretholde maksimal slibeeffekt.

## VEDLIGEHOLDELSE

**Træk stikket ud af stikkontakten, inden der udføres nogen form for justering, service eller vedligeholdelse.**

Denne bore-/skruemaskine kræver ikke særlig smøring eller vedligeholdelse.

Bore-/skruemaskinen må kun serviceres og repareres i et professionelt værksted. Brug aldrig vand eller kemiske rengøringsmidler til rengøring. Må kun rengøres med en tør klud. Opbevares på et tørt sted. Hold motorens ventilationsåbninger rene. Knapperne o.l. skal være rene og frie for støv. Det er helt normalt, at der kan forekomme gnister i ventilationsåbningerne, og det beskadiger ikke bore-/skruemaskinen.

Hvis elledningen beskadiges, skal den udskiftes af producenten, dennes servicerepræsentant eller anden kvalificeret fagmand for at undgå, at der opstår farlige situationer.

## FEJLFINDING

1. Hvis din sliber ikke vil køre, tjek først strømmen til hovedstikket.
2. Hvis din sliber ikke sliber overfladen, tjek sandpapiret. Hvis

sandpapiret er slidt, udskiftes med nyt papir og prøv igen.

Papiret skal opbevares et tørt sted, hvis det bliver fugtigt, kan de slibende partikler løse sig fra limen på papiret og vil ikke slibe.

3. Hvis sliberen ikke bevæger sig glat, kan sandpapiret være løst, beskadiget eller krøllet. Udskift og forsøg igen.
4. Hvis en fejl ikke kan rettes, returneres sliberen til en autoriseret forhandler for at blive repareret.

## MILJØBESKYTTELSE



Affald af elektriske produkter må ikke bortskaffes sammen med husholdningsaffald. Indlever så vidt muligt produktet til genbrug. Kontakt de lokale myndigheder eller forhandleren, hvis du er i tvivl.

## KONFORMITETSERKLÆRING

Vi,  
POSITEC Germany GmbH  
Postfach 32 02 16, 50796 Cologne, Germany

erklærer herved, at produktet

Beskrivelse: **1/3 ark sliber**

Type: **DX45 (45-udpegning af maskiner, repræsentant for Pudsemaskine)**

Function: **Fjernelse af overflademateriale med et slibende middel**

er i overensstemmelse med følgende direktiver,  
**2006/42/EC, 2014/30/EU, 2011/65/EU&(EU)2015/863**

Standarder i overensstemmelse med

**EN 55014-1, EN 55014-2, EN 62841-1, EN 62841-2-4, EN IEC 61000-3-2, EN 61000-3-3**

Personen, autoriseret til at udarbejde den tekniske fil,

Navn **Marcel Filz**

Adresse **POSITEC Germany GmbH**

Postfach 32 02 16, 50796 Cologne, Germany



2023/04/16

Allen Ding

Vicechef, Ingeniør, Test & Certificering

Positec Technology (China) Co., Ltd

18, Dongwang Road, Suzhou Industrial

Park, Jiangsu 215123, P. R. China

# INSTRUKCJA ORYGINALNA OGÓLNE OSTRZEŻENIA DOTYCZĄCE BEZPIECZEŃSTWA PODCZAS PRACY Z ELEKTRONARZĘDZIAMI

**⚠ OSTRZEŻENIE:** Przeczytaj wszystkie ostrzeżenia, instrukcje, ilustracje i specyfikacje dostarczone z elektronarzędziem.

Niestosowanie się do podanych wskazówek może spowodować porażenie prądem, pożar i / lub ciężkie obrażenia ciała.

## Należy dobrze przechowywać te przepisy.

Użyte w dalszej części pojęcie „elektonarzędzie” odnosi się do elektronarzędzi napędzanych prądem (z kablem zasilającym) i do elektronarzędzi napędzanych akumulatorami (bez kabla zasilającego).

### 1) MIEJSCE PRACY

- a) **Miejsce pracy należy utrzymywać w czystości i dobrze oświetlone.** Nieporządek i nie oświetlane zakreśy pracy mogą doprowadzić do wypadków.
- b) **Nie należy pracować tym narzędziem w otoczeniu zagrożonym wybuchem, w którym znajdują się np. łatwopalne ciecze, gazy lub pyły.** Elektronarzędzia wywołują iskry, które mogą podpalić ten pył lub parę.
- c) **Elektonarzędzie trzymać podczas pracy z daleka od dzieci i innych osób.** Przy odwróceniu uwagi można stracić kontrolę nad narzędziem.

### 2) BEZPIECZEŃSTWO ELEKTRYCZNE

- a) **Wtyczka urządzenia musi pasować do gniazda.** Nie wolno zmieniać wtyczki w jakikolwiek sposób. Nie należy używać wtyczek adapterowych razem z uziemionymi narzędziami. Niezmienione wtyczki i pasujące gniazda zmniejszają ryzyko porażenia prądem.
- b) **Należy unikać kontaktu z uziemionymi powierzchniami jak rury, grzejniki, piece i lodówki.** Istnieje zwiększone ryzyko porażenia prądem, gdy Państwa ciało jest uziemione.
- c) **Urządzenie należy trzymać zabezpieczone przed deszczem i wilgocią.** Wniknięcie wody do elektronarzędzia podwyższa ryzyko porażenia prądem.
- d) **Nigdy nie należy używać kabla do innych czynności.** Nigdy nie używać kabla do noszenia urządzenia za kabel, zawieszenia lub do wyciągania wtyczki z gniazda. Kabel należy trzymać z daleka od wysokich temperatur, oleju; ostrych krawędzi lub ruchomych części urządzenia. Uszkodzone lub poplątane kable zwiększają ryzyko porażenia prądem.
- e) **W przypadku, że elektronarzędziem pracuje się na świeżym powietrzu należy używać kabla przedłużającego, który dopuszczony jest do używania na zewnątrz.** Użycie dopuszczonego do używania na zewnątrz kabla przedłużającego zmniejsza ryzyko porażenia prądem.

- f) **Jeśli nie można uniknąć posługiwania się elektronarzędziem w miejscu o dużej wilgotności należy użyć zabezpieczonego zasilacza domowego (RCD).** Stosowanie RCD zmniejsza ryzyko porażenia prądem elektrycznym.

### 3) BEZPIECZEŃSTWO OSÓB

- a) **Należy być uważnym, zważać na to co się robi i pracę elektronarzędziem rozpoczynać z rozsądkiem.** Nie należy używać urządzenia gdy jest się zmęczonym lub pod wpływem narkotyków, alkoholu lub leków. Moment nieuwagi przy użyciu urządzenia może doprowadzić do poważnych obrażeń ciała.
  - b) **Należy nosić osobiste wyposażenie ochronne i zawsze okulary ochronne.** Noszenie osobistego wyposażenia ochronnego jak maska przeciwpyłowa, nie ślizgające się buty robocze, hełm ochronny lub ochrona słuchu, w zależności od rodzaju i użycia elektronarzędzia zmniejsza ryzyko obrażeń ciała.
  - c) **Należy zapobiec przypadkowemu uruchomieniu.** Przed podłączeniem do sieci zasilającej i/lub zestawu baterii, podniesieniem urządzenia i przenoszeniem urządzenia należy sprawdzić, czy przełącznik znajduje się w pozycji wyłączenia. W przypadku, że przy noszeniu urządzenia trzyma się palec na włączniku/wyłączniku lub włączone urządzenie podłączone zostanie do prądu, to może to doprowadzić do wypadków.
  - d) **Zanim urządzenie zostanie włączone należy usunąć narzędzia nastawcze lub klucze.** Narzędzie lub klucz, które znajdują się w ruchomych częściach urządzenia mogą doprowadzić do obrażeń ciała.
  - e) **Nie należy przeceniać swoich możliwości.** Należy dbać o bezpieczną pozycję pracy i zawsze utrzymywać równowagę. Przez to możliwa jest lepsza kontrola urządzenia w nieprzewidzianych sytuacjach.
  - f) **Należy nosić odpowiednie ubranie.** Nie należy nosić luźnego ubrania lub biżuterii. Wystrzegaj się kontaktu włosów, części odzieży lub rękawic ochronnych z ruchomymi częściami urządzenia.
  - g) **W przypadku, że możliwe jest zamontowanie urządzeń odsysających lub podchwytyjących należy upewnić się, czy są one właściwie podłączone i prawidłowo użyte.** Użycie tych urządzeń zmniejsza zagrożenie spowodowane pyłami.
  - h) **Częste używanie urządzeń i rutyna może osłabić twoją uwagę i być przyczyną niedotrzymywania zasad bezpieczeństwa.** Nieuważne działanie może spowodować poważne szkody w ułamku sekundy.
- ### 4) STARANNE OBCOWANIE ORAZ UŻYCIE ELEKTRONARZĘDZI
- a) **Nie należy przeciążać urządzenia.** Do pracy używać należy elektronarzędzia, które jest do tego przewidziane. Odpowiednim narzędziem pracuje się lepiej i bezpieczniej w podanym zakresie sprawności.
  - b) **Nie należy używać elektronarzędzia, którego włącznik/wyłącznik jest uszkodzony.** Elektronarzędzie, którego nie można włączyć lub wyłączyć jest niebezpieczne i musi zostać naprawione.
  - c) **Przed przystąpieniem do wykonywania**

**jakichkolwiek regulacji, ustawień wymiany osprzętu lub składowania urządzenia należy odłączyć wtyczkę od źródła zasilania i/ lub wyjąć akumulator. Ten środek ostrożności zapobiega niezamierzonemu włączeniu się urządzenia.**

- d) Nie używane elektronarzędzia należy przechowywać poza zasięgiem dzieci. Nie należy dać narzędzia do użytku osobom, które jego nie znają lub nie przeczytały tych przepisów. Używane przez niedoświadczonych osoby elektronarzędzia są niebezpieczne.**
- e) Dotrzyj regularnego wykonywani konserwacji urządzenia i osprzętu. Należy kontrolować, czy ruchome części urządzenia funkcjonują bez zarzutu i nie są zablokowane, czy części nie są pęknięte lub uszkodzone, co mogłoby mieć wpływ na prawidłowe funkcjonowanie urządzenia. Uszkodzone części należy przed użyciem urządzenia oddać do naprawy. Wiele wypadków spowodowanych jest przez niewłaściwą konserwację elektronarzędzi.**
- f) Narzędzia tnące należy utrzymywać ostre i czyste. Starannie pielęgnowane narzędzia tnące z ostrymi krawędziami tnącymi zablokują się rzadziej i łatwiej się je prowadzi.**
- g) Elektronarzędzia, osprzęt, narzędzia itd. należy używać odpowiednio do tych przepisów i tak, jak jest to przewidziane dla tego specjalnego typu urządzenia. Uwzględnić należy przy tym warunki pracy i czynność do wykonania. Użycie elektronarzędzi do innych niż przewidziane prace może doprowadzić do niebezpiecznych sytuacji.**
- h) Uchwyty oraz powierzchnie elementów obsługi urządzenia utrzymywać suche, czyste, bez oleju i smaru. Śliskie uchwyty oraz inne powierzchnie stanowią przeszkodę w bezpiecznej obsłudze i kontroli nad narzędziem w nieoczekiwanych sytuacjach.**

## 5) SERWIS

- a) Naprawę urządzenia należy zlecić jedynie kwalifikowanemu fachowcowi i przy użyciu oryginalnych części zamiennych. To gwarantuje, że bezpieczeństwo urządzenia zostanie zachowane.**

## SYMBOLE



Aby zmniejszyć niebezpieczeństwo odniesienia obrażeń, użytkownik powinien przeczytać podłącznik z instrukcjami



OSTRZEŻENIE



Używać ochrony słuchu



Używać ochrony wzroku



Używać maski przeciwpyłowej



Podwójna izolacja



Odpady wyrobów elektrycznych nie powinny być wyrzucane razem z odpadami gospodarstwa domowego. Należy korzystać z recyklingu, jeśli istnieje odpowiednia infrastruktura. Porady dotyczące recyklingu można uzyskać u władz lokalnych lub sprzedawcy detalicznego.

PL


## LISTA KOMPONENTÓW

1. REGULACJA PRĘDKOŚCI OBROTOWEJ
2. PRZEŁĄCZNIK WŁĄCZ / WYŁĄCZ
3. OBSZARY CHWYTU RĘCZNEGO
4. ZBIORNIK NA KURZ
5. DŹWIGNIA ZACISKU PAPIERU ŚCIERNEGO
6. BLOKADA DŹWIGNI ZACISKOWEJ
7. ALUMINIOWA PŁYTA PODSTAWOWA
8. DZIURKACZ DO PAPIERU
9. PAPIER ŚCIERNY
10. ZŁĄCZKA PRÓŻNIOWA
11. WYŁOT ODPYLAJĄCY (PATRZ RYS. C)

## TECHNICZNE DANE

Typ DX45 (45-Oznaczenie maszyn, przedstawiciel sander wykończeniowe)

Napięcie znamionowe	220-240V~50/60Hz
Moc znamionowa	240W

Prędkość znamionowa bez	6000-11000/min
Podwójna izolacja	 /II
Obciążenia	90*187mm
Orbital średnica	1.6mm
Masa urządzenia	1.63kg

## INFORMACJE O HAŁASIE

Ważone ciśnienie akustyczne	$L_{pA} = 78 \text{ dB(A)}$
Ważona moc akustyczna	$L_{wA} = 89 \text{ dB(A)}$
$K_{pA}$ & $K_{wA}$	3.0 dB(A)
<b>Używać ochrony słuchu.</b>	

## INFORMACJE WIBRACJE

Łączna wartość drgań (suma wektora triax) określona według normy EN 62841:	
Wartość przenoszenia wibracji	$a_h = 6,0 \text{ m/s}^2$
	Niepiewność $K = 1.5 \text{ m/s}^2$

Deklarowana wartość całkowita drgań oraz deklarowanych wartości emisji hałasu zostały zmierzone zgodnie ze standardową metodą wykonywania badań i mogą być stosowane do porównywania właściwości różnych urządzeń. Deklarowana wartość całkowita drgań i zadeklarowana wartość emisji hałasu może być zastosowana również do wstępnej oceny zagrożenia.:

**!** **OSTRZEŻENIE:** Wibracje oraz emisja hałasu podczas rzeczywistego użytkowania elektronarzędzia może się różnić od podanej wartości, w zależności od sposobu używania urządzenia, przede wszystkim od typu obrabianego materiału i możliwości korzystania z urządzenia:  
 Jak używane jest narzędzie oraz, czy materiał jest cięty czy wiercony.  
 Czy narzędzie jest w dobrym stanie i czy jest prawidłowo konserwowane.  
 Czy używane są prawidłowe akcesoria narzędzia i czy narzędzie jest właściwie naostrzone oraz w dobrym stanie.  
 Czy zastosowano elementy poprawiające przyleganie uchwytów oraz elementy do wyeliminowania wszelkich drgań i hałasu urządzenia.  
 Oraz, czy narzędzie jest używane zgodnie z przeznaczeniem i według instrukcji.

**Nieprawidłowe prowadzenie tego narzędzia może spowodować syndrom wibracji rąk.**

**!** **OSTRZEŻENIE:** W szczególności, oszacowanie poziomu ekspozycji w rzeczywistych warunkach używania powinno brać także pod uwagę wszystkie elementy cyklu działania, takie jak czasy wyłączenia narzędzia i czas bezczynności, ale nie rzeczywiście wykonywaną pracę. Może to znacznie zmniejszyć poziom ekspozycji w całym okresie pracy.  
 Pomaga zminimalizować ryzyko występowania drgań i podwyższonego poziomu hałasu.  
 Należy ZAWSZE używać ostrych dłut, wiertel i ostrzy.  
 Narzędzie należy konserwować z godnie z instrukcjami i prawidłowo smarować (w odpowiednich miejscach).  
 Jeżeli urządzenie będzie stosowane regularnie zaleca się wyposażyć urządzenie w wyposażenie eliminujące wibracje i hałas.  
 Należy zaplanować harmonogram pracy w celu rozłożenia używania narzędzi wytwarzających wysoki poziom drgań na kilka dni.

## AKCESORIA

Dziurkacz do papieru	1
Złączka próżniowa	1
Papier ścierny o granulacji 80	1
Zbiornik na kurz	1

Zalecamy zakup akcesoriów wymienionych na powyższej liście w tym samym sklepie, w którym sprzedawane są narzędzia. Aby uzyskać więcej informacji, zobacz opakowanie akcesoriów. Personel sklepu może udzielić porady.



# OPERACYJNY INSTRUKCJE



**UWAGA:** Przed użyciem narzędzia przeczytaj uważnie instrukcję obsługi.

## MOŻLIWE UŻYCIĘ

Maszyna jest przeznaczona do szlifowania na sucho drewna, tworzyw sztucznych, wypełniaczy i powierzchni powlekanych.

## MONTAŻ

### 1. DOPASOWANIE PAPIERU ŚCIERNEGO (PATRZ RYS. A, B)

- Papier ścierny bez systemu haków i pętli  
Podnieś dźwignię zacisku papieru ściernego i odsuń ją od blokad dźwigni zaciskowej. Powtórz to z drugiej strony.

Włóż około 5 mm jednego końca papieru ściernego pod dźwignię zacisku papieru ściernego. Podnieś ponownie dźwignię zacisku papieru ściernego i przesuń ją z powrotem do pozycji blokady dźwigni zacisku, aby zablokować papier. Docisnąć papier ścierny wokół płyty podstawowej tak mocno, jak to możliwe, i zamocować drugi koniec papieru ściernego. Sprawdź papier ścierny i zawsze upewnij się, że jest on zaciśnięty nad płytą podstawową i zamocowany pod obiema zablokowanymi klamrami.

- Papier ścierny z systemem obręczy i pętli  
Papier ścierny należy wyrównać i bezpośrednio docisnąć ręcznie do płyty podstawowej. Szlifierkę z papierem ściernym należy mocno docisnąć do płaskiej powierzchni, aby upewnić się, że papier jest zabezpieczony. Otwory w papierze ściernym i płycie podstawowej powinny być dobrze wyrównane.

### 2. MONTAŻ I DEMONTAŻ POJEMNIKA NA PYŁ (PATRZ RYS. C)

Twoja szlifierka jest wyposażona w pojemnik na pył. W celu zamocowania należy włożyć pojemnik na pył do tylnego otworu odpylającego do momentu jego zabezpieczenia. Aby go zdjąć, należy nacisnąć dźwignię zwalnającą (a) po obu stronach pojemnika na pył i wysunąć pojemnik na pył.



**OSTRZEŻENIE:** Aby zapobiec możliwości przedostania się pyłu ze szlifowania lub ciał obcych na twarz lub do oczu, nigdy nie należy próbować używać szlifierki bez prawidłowo zainstalowanego pojemnika na pył.

### 3. OPRÓŻNIĆ POJEMNIK NA PYŁ (PATRZ RYS. D)

Aby zwiększyć wydajność pracy, należy opróżnić pojemnik na kurz co 5-10 minut. Pozwoli to na lepszy przepływ powietrza przez pojemnik. Aby opróżnić pojemnik na kurz, należy najpierw wyjąć go z odpylacza, nacisnąć przycisk z tyłu pojemnika, aby otworzyć jego tylną część, a następnie wytrzeć kurz.

### 4. PODŁĄCZANIE SZLIFIERKI DO ODKURZACZA (PATRZ RYS. E)

Twoja szlifierka jest wyposażona w adapter podciśnieniowy, który jest przeznaczony do zadań związanych z odpylaniem. Włożyć adapter podciśnieniowy do tylnego otworu odpylającego i upewnić się, że jest on pewnie zamocowany. Następnie należy podłączyć adapter do węża

odkurzacza.

Podczas użytkowania należy najpierw włączyć odkurzacz, a następnie włączyć szlifierkę. Jeśli przestaniesz szlifować, najpierw wyłącz szlifierkę, a następnie wyłącz odkurzacz.

**UWAGA:** Adapter należy zawsze podłączać za pomocą 35 mm węża podciśnieniowego.

## DZIAŁANIE

### 1. OBSŁUGA WŁĄCZ / WYŁĄCZ (PATRZ RYS. F)

Przycisk włącz / wyłącz przesunąć do przodu, aby rozpocząć pracę, i przesunąć do tyłu, aby zatrzymać.

### 2. REGULACJA PRĘDKOŚCI (PATRZ RYS. G)

Za pomocą regulatora prędkości można wybrać wymaganą prędkość (również podczas pracy). Wymagana prędkość jest zależna od materiału i powinna być ustalona na podstawie próby praktycznej.

### 3. DZIURKACZ DO PAPIERU (PATRZ RYS. H)

Jeśli używa się papieru ściernego bez otworów na pył, najpierw należy użyć papierowego dziurkacza do perforacji otworów, aby zapewnić prawidłowe odsysanie pyłu. Umieścić dziurkacz na płycie podstawowej, tak aby boki dziurkacza były wyrównane z krawędziami płyty podstawowej. Wcisnąć dziurkacz w płytę podstawową, aby przebić otwory w papierze ściernym. Następnie należy usunąć dziurkacz i sprawdzić, czy wszystkie otwory zostały prawidłowo uformowane.

### 4. UŻYWANIE SZLIFIERKI

Szlifowany element musi być zabezpieczony. Jeżeli element ten jest mały lub może się przemieszczać podczas szlifowania, należy go trzymać w imadle lub odpowiednio zamocować.

Szlifierkę należy mocno trzymać, gdy jest ona włączona i delikatnie rozpocząć pracę, gdyż może ona "kopnąć" przy pierwszym kontakcie. Szlifierkę należy trzymać tak, aby leżała płasko na powierzchni roboczej i poruszać nią powoli, najlepiej płynnym, okrężnym ruchem. Regularnie sprawdzaj stan papieru ściernego i wymieniaj go po zużyciu, aby uzyskać najlepsze rezultaty.

## PORADY DOTYCZĄCE PRACY Z NARZĘDZIEM

1. Jeśli narzędzie zbyt szybko się nagrzewa, zwłaszcza gdy jest używane z mniejszymi prędkościami, ustawij prędkość na maksimum i pozwól na 2-3 minutową pracę w celu schłodzenia silnika. Unikaj przedłużonego użycia przy bardzo niskich prędkościach. Należy zawsze utrzymywać ostrość narzędzia.
2. Zawsze upewnić się, że element obrabiany jest mocno trzymany lub przytwierdzony w celu uniknięcia jego przemieszczania się.
3. Jakikolwiek ruch materiału mocą mogący może wpłynąć na jakość cięcia lub wykończenie szlifowania.
4. Narzędzie należy uruchomić przed przystąpieniem do pracy i należy go wyłączyć dopiero po zakończeniu pracy.
5. Nie rozpoczynać szlifowania bez zamocowanego papieru ściernego.
6. Nie doprowadzać do zużycia papieru ściernego,

ponieważ spowoduje to uszkodzenie nakładki ścierniej. Gwarancja nie obejmuje zużycia nakładki ścierniej.

- Należy używać gruboziarnistego papieru do szlifowania nierównych powierzchni, średnioziarnistego do gładkich powierzchni i drobnoziarnistego do wykończenia powierzchni. W razie konieczności należy przeprowadzić próbną obróbkę na zapasowym materiale.
- Używaj tylko dobrej jakości papieru ściernego.
- Papier ścierny kontroluje wydajność szlifowania, a nie siłę przykładaną do narzędzia. Użycie nadmiernej siły doprowadzi do zmniejszenia wydajności pracy i przeciążenia silnika. Regularna wymiana akcesoriów zapewni utrzymanie optymalnej wydajności pracy.

## KONSERWACJA

**Przed dokonywaniem jakichkolwiek regulacji, obsługi technicznej lub konserwacji należy wyjąć wtyczkę z gniazdka.**

Narzędzie to nie wymaga żadnego dodatkowego smarowania czy konserwacji.

W narzędziu nie ma żadnych części, które wymagałyby serwisowania przez użytkownika. Nigdy nie należy używać wody czy środków czyszczących do czyszczenia narzędzia z napędem elektrycznym. Czyścić suchą szmatką. Zawsze należy przechowywać narzędzie w suchym miejscu. Utrzymywać w czystości otwory wentylacyjne silnika. Utrzymywać wszystkie urządzenia sterujące w czystości.

W otworach wentylacyjnych mogą pojawiać się iskry, jest to normalne i nie spowoduje uszkodzenia narzędzia. Jeśli uszkodzony zostanie przewód zasilający, aby uniknąć niebezpieczeństwa powinien zostać wymieniony przez producenta, przedstawiciela serwisu lub inną wykwalifikowaną osobę.

## Rozwiązywanie problemów

- Jeśli szlifierka nie będzie działać, należy sprawdzić jej zasilanie w kontakcie.
- Jeśli szlifierka nie szlifuje powierzchni, należy sprawdzić papier ścierny. Jeśli papier ścierny został zużyty, należy wymienić go na nowy i spróbować ponownie. Papier musi być przechowywany w suchym miejscu, jeżeli dopuści się do jego zawilgocenia, cząstki ściernie stracą przyczepność do papieru podkładowego i nie będą spełniać swojej roli.
- Jeśli dawka ścierniwa nie będzie płynnie przesuwac się, papier ścierny może być luźny, uszkodzony lub pomarszczony. Wymień go i spróbuj ponownie.
- Jeżeli usterki nie można usunąć, należy oddać szlifierkę do naprawy autoryzowanemu sprzedawcy.

## OCHRONA ŚRODOWISKA



Odpady wyrobów elektrycznych nie powinny być wyrzucane razem z odpadami gospodarstwa domowego. Należy korzystać z recyklingu, jeśli istnieje odpowiednia infrastruktura. Porady dotyczące recyklingu można uzyskać u władz lokalnych lub sprzedawcy detalicznego.

## DEKLARACJA ZGODNOŚCI

My,  
POSITEC Germany GmbH  
Postfach 32 02 16, 50796 Cologne, Germany

deklarujemy, że produkt,

Opis: **1/3 Szlifierka do arkuszy**

Typ: **DX45 (45- Oznaczenie maszyn,**

**przedstawiciel Sander wykończeniowe)**

Funkcja: **Usuwanie materiał powierzchniowy przy użyciu czynnika ściernego**

Jest zgodny z następującymi dyrektywami:  
**2006/42/EC, 2014/30/EU, 2011/65/**  
**EU&(EU)2015/863**

Normy są zgodne z:

**EN 55014-1, EN 55014-2, EN 62841-1, EN**  
**62841-2-4, EN IEC 61000-3-2, EN 61000-3-3**

Osoba upoważniona do kompilacji pliku technicznego,  
**Nazwa Marcel Filz**  
**Adres POSITEC Germany GmbH**  
**Postfach 32 02 16, 50796 Cologne, Germany**



2023/04/16

Allen Ding

Zastępca głównego inżyniera,  
testowanie i certyfikacja Positec Technology (China) Co.,  
Ltd 18, Dongwang Road, Suzhou Industrial  
Park, Jiangsu 215123, P. R. China

# ОРИГИНАЛНИ ИНСТРУКЦИИ БЕЗОПАСНОСТ НА ПРОДУКТА ОБЩИ ПРЕДУПРЕЖДЕНИЯ ЗА БЕЗОПАСНОСТ ЗА ЕЛЕКТРОИНСТРУМЕНТИ



**ПРЕДУПРЕЖДЕНИЕ** Прочетете всички предупреждения за безопасност, инструкции, илюстрации и спецификации, предоставени с този електроинструмент. Неспазването на всички посочени инструкции може да доведе до токов удар, пожар и/или сериозно нараняване.

**Запазете всички предупреждения и инструкции за бъдеща справка.**

Терминът „електроинструмент“ в предупрежденията се отнася за вашите електроинструменти, захранвани от мрежата (с кабел) или за електроинструментите, работещи с батерия (без кабел).

## 1) Безопасност на работното място

- a) **Поддържайте работното място чисто и добре осветено.** Разхвърляните или тъмни места предизвикват инциденти.
- b) **Не работете с електроинструменти в експлозивни атмосфери, като например при наличие на запалими течности, газове или прах.** Електроинструментите произвеждат искри, които могат да запалят прах или изпарения.
- c) **Децата и наблюдателите трябва да стоят настрана, докато работите с електроинструмента.** Разсейването може да доведе до загуба на контрол.

## 2) Електрическа безопасност

- a) **Щепселите на електроинструментите трябва да съответстват на контактите.** Никога не модифицирайте щепсела по никакъв начин. Не използвайте никакви адаптерни щепсели със заземени електроинструменти. Немодифицираните щепсели и подходящите контакти ще намалят риска от токов удар.
- b) **Избягвайте контакт на тялото със заземени повърхности, като тръби, радиатори, кухненски печки и хладилници.** Съществува повишен риск от токов удар, ако тялото ви бъде заземено.
- c) **Не излагайте електроинструментите на дъжд или влажни условия.** Водата, навлизаща в електроинструмента, ще увеличи риска от токов удар.
- d) **Не повреждайте кабела.** Никога не използвайте кабела, за да носите, дърпате или изключвате електроинструмента. Дръжте кабела далеч от топлина, масло, остри ръбове или движещи се части. Повредените или

заплетени кабели повишават риска от токов удар.

- e) **Когато работите с електроинструмент на открито, използвайте удължителен кабел, подходящ за употреба на открито.** Употребата на кабел, подходящ за употреба на открито, намалява риска от токов удар.
- f) **Ако е наложително да работите с електроинструмента във влажно място, използвайте защитено захранване с дефектнотокова защита (ДТЗ).** Използването на ДТЗ намалява риска от токов удар.

## 3) Лична безопасност

- a) **Бъдете нащрек, внимавайте какво правите и използвайте здравия си разум, когато работите с електроинструмент.** Не използвайте електроинструмент, когато сте изморени или под влияние на наркотици, алкохол или лекарства. Момент неенормане при работа с електроинструмент може да доведе до сериозни наранявания.
- b) **Използвайте лични предпазни средства.** Винаги носете защитни очила. Предпазните средства като прахова маска, предпазни обувки против пързаяне, каска или антифони, използвани за подходящите условия, ще намалят нараняванията.
- c) **Предотвратяване на неволно стартиране.** Уверете се, че преключвателят е в позиция изкл. (off), преди свързване към източник на захранване и/или батериен пакет, вземане или носене на инструмента. Носенето на електроинструменти с пръст върху преключвателя или енергизирането им при натиснат преключвател може да доведе до злополуки.
- d) **Отстранете всеки регулиращ ключ или гаечен ключ преди да включите инструмента.** Гаечен ключ или друг ключ, прикрепен към въртяща се част на електроинструмента, може да доведе до наранявания.
- e) **Не дръжте инструмента твърде далече.** Непрекъснато спазвайте подходящо положение и баланс. Това спомага за по-доброто управление на електроинструмента в непредвидени ситуации.
- f) **Носете подходящо облекло.** Не носете широки дрехи или бижута. Дръжте косата и дрехите си далеч от движещите се части. Широките дрехи, бижута или дългата коса могат да бъдат захванати от движещите се части.
- g) **Ако са осигурени устройства за свързване на уреди за извличане и събиране на прах, уверете се, че те са свързани и се използват правилно.** Използването на прахоуловители може да намали опасностите, свързани с праха.
- h) **Не позволявайте познаването, придобито от честата употреба на инструменти, да ви позволи да изгубите бдителността си и да игнорирате принципите за безопасност на инструменти.** Небрежно действие може да причини тежки наранявания в рамките на части от секундата.

- 4) Използване и грижа за електроинструмента**
- a) Не претоварвайте електроинструмента. Използвайте правилния електроинструмент за вашите нужди.** Правилният електроинструмент ще свърши работата по-добре и по-безопасно при скоростта, за която е проектиран.
- b) Не използвайте електроинструмента, ако преключвателят не го включва и изключва.** Всеки електроинструмент, който не може да се управлява с преключвателя, е опасен и трябва да бъде ремонтиран.
- c) Изключете щепсела от източника на захранване и / или извадете батерийния пакет, ако се разглобява, от електроинструмента, преди да направите каквито и да е настройки, да смените аксесоарите или да съхранявате електроинструментите.** Подобни превантивни предпазни мерки намаляват риска от включване на електроинструмента по невнимание.
- d) Съхранявайте електроинструментите на място, недостъпно за деца, и не позволявайте на лица, които не са запознати с електроинструмента или с тези инструкции, да работят с електроинструмента.** Електроинструментите са опасни в ръцете на необучени потребители.
- e) Грижете се за електроинструментите и аксесоарите. Проверявайте за неправилно подравняване или свързване на движещите се части, счупване на части и всякакви други състояния, които могат да повлияят на работата на електроинструмента. При повреда, ремонтирайте инструмента преди употреба.** Много злополуки са причинени от лошо поддържани електроинструменти.
- f) Поддържайте режещите инструменти остри и чисти.** Правилно поддържаните режещи инструменти с остри режещи ръбове е по-малко вероятно да засичат при работа и са по-лесни за управление.
- g) Използвайте електроинструментите, аксесоарите и резците според настоящите инструкции, като отчитате условията на работа и работата, която ще се извършва.**

Употребата на електроинструмента за операции, различни от тези, за които е предназначен, може да доведе до опасни ситуации.

- h) Пазете дръжките и захващащите повърхности сухи, чисти и без следи от масло и смазка.** Хлъзгавите дръжки и захващащи повърхности не позволяват безопасна работа и контрол на инструмента при неочаквани ситуации.

## 5) Обслужване

- a) Вашият електроинструмент трябва да се обслужва от квалифицирано лице, което използва само оригинални резервни части.** Това ще гарантира запазенето на безопасността на електроинструмента.

## СИМВОЛИ



За да се намали риска от нараняване, потребителят трябва да прочете ръководството с инструкции



Предупреждение



Носете антифони



Носете защитни очила



Носете прахова маска



Двойна изолация



Излезлите от употреба електрически продукти не бива да бъдат изхвърляни заедно с битовите отпадъци. Моля, използвайте рециклиращи съоръжения там, където има такива. Информация за рециклирането можете да получите от местните власти или от съответния търговец на дребно.

## СПИСЪК НА КОМПОНЕНТИТЕ

1. РЕГУЛИРАНЕ НА СКОРОСТТА
2. ПРЕВКЛЮЧАТЕЛ ЗА ВКЛЮЧВАНЕ/ИЗКЛЮЧВАНЕ
3. ЗОНА НА ЗАХВАТ НА РЪЦЕТЕ
4. КУТИЯ ЗА ПРАХ
5. ЛОСТ ЗА ЗАХВАЩАНЕ НА ШКУРКА
6. ЗАКЛЮЧВАНЕ НА ЛОСТА НА СКОБАТА
7. ОСНОВНА ПЛОЧА ОТ АЛУМИНИЙ
8. ПЕРФОРАТОР ЗА ХАРТИЯ
9. ШКУРКА
10. ВАКУУМЕН АДАПТЕР
11. ИЗХОД ЗА ПРАХОУЛАВЯНЕ (ВЖ. ФИГ. С)

# ТЕХНИЧЕСКИ ДАННИ

Тип DX45 (45 - обозначение на машината, представител на шлайфмашина за довършителни работи)

Номинално напрежение	220-240V~50/60Hz
Номинална мощност	240W
Скорост без натоварване	6000-11000/min
Клас защита	□/II
Размер на основата	90*187mm
Диаметър на орбитата	1.6mm
Тегло на машината	1.63kg

## ИНФОРМАЦИЯ ЗА ШУМА

Претеглено звуково налягане	$L_{pA} = 78 \text{ dB(A)}$
Претеглена звукова мощност	$L_{wA} = 89 \text{ dB(A)}$
$K_{pA}$ & $K_{wA}$	3.0 dB(A)
<b>Носете антифони.</b>	

## ИНФОРМАЦИЯ ЗА ВИБРАЦИИТЕ

Обща стойност на вибрациите (триаксиална векторна сума), определена според БДС EN 62841:	
Стойност на вибрационните емисии	$a_h = 6,0 \text{ m/s}^2$ Неопределеност $K = 1.5 \text{ m/s}^2$

Декларираната обща стойност на вибрациите и декларираната стойност на емисиите на шум са измерени в съответствие със стандартен метод за измерване и могат да бъдат използвани за сравняване на един инструмент с друг.

Декларираната обща стойност на вибрациите и декларираната емисия на шум може да се използва и за предварителна оценка на експозицията.

**⚠ ПРЕДУПРЕЖДЕНИЕ:** Стойността на емисиите на вибрации и шум при реално използване на електроинструмента може да се различава от декларираната стойност в зависимост от начините, по които инструментът се използва, в зависимост от детайла, който се обработва, и в зависимост от следните примери и други варианти за начина на използване на инструмента:

Как се използва инструментът и материалите, които се режат или пробиват.

Добро състояние и правилна поддръжка на инструмента.

Използване на правилните аксесоари за инструмента и поддържането му остър и в добро състояние.

Стегнат захват на ръкохватките и използване на противовибрационни и противощумови аксесоари. Употреба на инструмента според дизайна му и тези инструкции.

**Този инструмент може да предизвика синдром на вибрация „ръка-рамо“, ако употребата му не се управлява адекватно.**

**⚠ ПРЕДУПРЕЖДЕНИЕ:** За да бъде точна, оценката на нивото на експозиция в реалните условия на употреба трябва също да вземе предвид всички части от работния цикъл, като например времето, през което инструментът е изключен и когато работи на празен ход без реално да извършва работа. Това може значително да намали нивото на експозиция през общия работен период.

Как да намалите риска от експозиция на вибрации и шум. Винаги използвайте остри длетата, свредла и ножове.

Грижете се за инструмента според тези инструкции и го поддържайте смазан (където е приложимо). Ако инструментът ще се използва редовно, инвестирайте в противовибрационни и противощумови аксесоари.

Планирайте работния си график, за да разпределите употребата на високовибрационни инструменти в няколко отделни дни.

## АКСЕСОАРИ

Перфоратор за хартия	1
Вакуумен адаптер	1
Шкурка със зърно 80	1
Кутия за прах	1

Препоръчваме ви да закупите вашите аксесоари от същия магазин, от който сте закупили инструмента. Направете справка с опаковката за аксесоари за повече подробности. Персоналът в магазина може да ви съдейства и да ви предложи съвет.

# ИНСТРУКЦИИ ЗА РАБОТА



**ЗАБЕЛЕЖКА:** Преди да използвате инструмента, прочетете книгата с инструкциите внимателно.

## ПРЕДНАЗНАЧЕНИЕ

Машината е предназначена за сухо шлайфане на дърво, пластмасата, замазка и боядисани повърхности.

## СГЛОБЯВАНЕ

### 1. МОНТИРАНЕ НА ШКУРКАТА (ВЖ. ФИГ. А, В)

- Шкурка без система с куки и примки  
Повдигнете лоста за захващане на шкурка и го отдалечете от блокировката на лоста на скобата. Повторете това с другия лост за захващане от противоположната страна.

Вкарайте приблизително 5 мм от единия край на шкурката под лоста за захващане на шкурка. Повдигнете отново лоста за захващане на шкурка и го преместете обратно към позицията на заключване на лоста за захващане, за да заключите шкурката. Притиснете шкурката около формата на основната плоча възможно най-плътно и фиксирайте другия край на шкурката.

Проверявайте шкурката и винаги се уверявайте, че тя е плътно прилепнала към основната плоча и е закрепена под двете заключени скоби.

- Шкурка със система с обръч и примка.

Подравнете и натиснете директно шкурката към основната плоча с ръка. Притиснете здраво шлайф машината с шкурката към равна повърхност, за да сте сигурни, че шкурката е закрепена. Отворите на шкурката и основната плоча трябва да бъдат добре подравнени.

### 2. ПОСТАВЯНЕ И СВЯЛЯНЕ НА КУТИЯТА ЗА ПРАХ (ВЖ. ФИГ. С)

Вашата шлайф машина е снабдена с кутия за прах. За да я прикрепите, поставете кутията за прах в задния изход за изсмукване на прах, докато се закрепите. За да я извадите, натиснете освобождаващия лост (а) от двете страни на кутията за прах и я издърпайте навън.



**ВНИМАНИЕ:** За да предотвратите вероятността прах от шкурката или чужди тела да бъдат изхвърлени към лицето или очите ви, никога не се опитвайте да използвате шлайф машината без правилно монтирана кутия за прах.

### 3. ИЗПРАЗВАНЕ НА КУТИЯТА ЗА ПРАХ (ВЖ. ФИГ. D)

За по-ефективна работа изпразвайте кутията за прах на всеки 5-10 минути. Това ще позволи на въздуха да преминава през кутията по-добре. За да изпразните кутията за прах, първо я извадете от изхода за отвеждане на праха, натиснете бутона в задната част на кутията, за да я отворите, след което можете да изтръскате праха.

### 4. СВЪРЗВАНЕ НА ШЛАЙФ МАШИНАТА С ПРАХОСМУКАЧКА (ВЖ. ФИГ. Е)

Вашата шлайф машина е оборудвана с вакуумен адаптер, който е предназначен за събиране на прах. Поставете вакуумния адаптер в задния отвор за отстраняване на прах на шлайф машината и се уверете, че е здраво затегнат. След това свържете

адаптера към маркуча на прахосмукачка. По време на работа първо включвайте прахосмукачката, след това шлайф машината. Когато спрете шлайфането, първо изключете шлайф машината, след това прахосмукачката.

**ЗАБЕЛЕЖКА:** Винаги свързвайте адаптера към маркуч на прахосмукачка с диаметър 35 mm.

## РАБОТА

### 1. РАБОТА С БУТОНА ВКЛ./ИЗКЛ. (ВЖ. ФИГ. F)

Плъзнете превключвателя за включване/изключване напред, за да започнете работа, и го плъзнете назад, за да спрете.

### 2. БУТОН ЗА ПРОМЯНА НА СКОРОСТТА (ВЖ. ФИГ. G)

Необходимата скорост може да се избере с бутон за промяна на скоростта (и по време на работа). Необходимата скорост зависи от материала и се определя в практиката.

### 3. ПЕРФОРАТОР ЗА ХАРТИЯ (ВЖ. ФИГ. H)

Ако използвате шкурка без отвори за прах, първо трябва да използвате перфоратора, за да пробие дупките, за да осигурите правилното отвеждане на праха. Поставете перфоратора върху основната плоча, като страните на перфоратора са подравнени с ръбовете на основната плоча. Натиснете перфоратора в основната плоча, за да пробие дупки в шкурката. След това извадете перфоратора и проверете дали всички отвори са оформени правилно.

### 4. ИЗПОЛЗВАНЕ НА ШЛАЙФ МАШИНАТА

Заготовката, която ще бъде шлайфана, трябва да бъде застопорена. Ако е малка или има вероятност да се премести по време на шлайфането, е необходимо да се постави в менгема или да се захване по подходящ начин.

Дръжте здраво шлайф машината, докато е включена, и я поставяйте внимателно към заготовката; тя може да даде откат при първия контакт. Дръжте шлайф машината така, че да бъде в хоризонтално положение спрямо заготовката; работете бавно, за предпочитане с плавни кръгообразни движения. Редовно проверявайте състоянието на шкурката и я подменяйте, когато се износи, за да получите най-добри резултати.

## СЪВЕТИ ПРИ РАБОТА С ШЛАЙФ МАШИНА

1. Ако вашият електроинструмент стане твърде горещ, особено когато се използва при ниска скорост, настройте скоростта на максимална и го пуснете на празен ход за 2-3 минути, за да охладите двигателя. Избягвайте продължителна употреба на твърде ниска скорост. Винаги използвайте шкурка, подходяща за материала, който обработвате.
2. Винаги проверявайте дали заготовката е здраво закрепена или захваната, за да предотвратите разместване.
3. Всяко разместване на материала може да окаже влияние върху качеството на шлайфането.
4. Пуснете вашата шлайф машина преди шлайфането и я изключете чак след като сте спрели шлайфането. За най-добри резултати шлайфайте дървения материал по посока на

- зърното на шкурката.
- Не започвайте шлайфане без да е монтирана шкурка.
  - Не позволявайте шкурката да се износва съвсем, защото това може да повреди опорната плоча. Гаранцията не покрива износване на опорната плоча.
  - За шлайфане на груби повърхности използвайте едра шкурка, за гладки повърхности използвайте по-фина шкурка, а за най-фина обработка използвайте най-фина шкурка. Ако е необходимо, първо направете пробно отнемане на отпадъчен материал.
  - Използвайте само висококачествени шкурки.
  - Ефективността на шлайфането се влияе от шкурката, а не от натиска, който прилагате към инструмента. Излишно голямото усилие ще намали ефективността на шлайфане и ще предизвика претоварване на двигателя. Редовната замяна на шкурката ще поддържа шлайфането максимално ефективно.

## ПОДДРЪЖКА

**Преди да пристъпите към каквото и да било регулиране, обслужване или поддръжка, първо издърпайте захранващия щепсел от електрическия контакт.**

Вашият електроинструмент не се нуждае от допълнително смазване или поддръжка. В него няма никакви детайли, които да се обслужват от потребителя. Никога не използвайте вода или химически препарати за почистване на електроинструмента. Почиствайте го със суха кърпа. Винаги съхранявайте вашия електроинструмент на сухо място. Поддържайте вентилационните отвори на двигателя чисти. Поддържайте всички бутони за управление чисти от прах. От време на време може да виждате искри през вентилационните отвори. Това е нормално и няма да повреди вашия електроинструмент.

Ако захранващият кабел бъде повреден, той трябва да бъде подменен от производителя, от обслужващия го представител или от друго компетентно лице с цел избягване на опасности.

## ОТСТРАНЯВАНЕ НА НЕИЗПРАВНОСТИ

- Ако шлайф машината не работи, проверете захранването на щепсела.
- Ако шлайф машината не шлайфа повърхността, проверете шкурката. Ако шкурката е износена, поставете нова и опитайте отново. Шкурката трябва да се съхранява на сухо място; ако се овлажни, абразивните частици ще изгубят адхезията си и няма да шлайфат.
- Ако шлайф машината не се движи плавно, вероятно шкурката е захваната хлабаво, повредена е или нагъната. Сменете я и опитайте отново.
- Ако проблемът не може да бъде отстранен, занесете шлайф машината при оторизиран представител за ремонт.

## ОПАЗВАНЕ НА ОКОЛНАТА СРЕДА



Излезлите от употреба електрически продукти не бива да бъдат изхвърляни заедно с битовите отпадъци. Моля, използвайте рециклиращи съоръжения там, където има такива. Информация за рециклирането можете да получите от местните власти или от съответния търговец на дребно.

## ДЕКЛАРАЦИЯ ЗА СЪОТВЕТСТВИЕ

Ние,  
**POSITEC Germany GmbH**  
 Postfach 32 02 16, 50796 Cologne, Germany

Декларираме, че продуктът  
 Описание: **1/3 лист шлифовъчна машина**  
 Тип: **DX45 (45-обозначение за машини, представляващи шлайф машини)**  
 Функция: **отнемане на повърхностен материал чрез абразивна среда**

Отговаря на следните Директиви:  
**2006/42/ЕС, 2014/30/EU, 2011/65/EU & (EU)2015/863**

както и на стандартите:  
**EN 55014-1, EN 55014-2, EN 62841-1, EN 62841-2-4, EN IEC 61000-3-2, EN 61000-3-3**

Лице, оторизирано да изготвя техническото досие,  
**Име: Marcel Filz**  
**Адрес: POSITEC Germany GmbH**  
**Postfach 32 02 16, 50796 Cologne, Germany**



2023/04/16

Allen Ding

Заместник-главен инженер, отговарящ за тестването и сертифицирането  
 Positec Technology (Китай) Co., Ltd.  
 18, Dongwang Road, Suzhou Industrial Park, Jiangsu  
 215123, P. R. China

# EREDETI HASZNÁLATI UTASÍTÁS TERMÉKBIZTONSÁG ELEKTROMOS KÉZISZERSZÁMOK BIZTONSÁGOS HASZNÁLATÁVAL KAPCSOLATOS ÁLTALÁNOS FIGYELMEZTETÉSEK



**FIGYELEM:** Olvassa el az összes, ehhez az elektromos kéziszerszámhoz mellékelt biztonsági figyelmeztetést, utasítást és részletes ismertetést, illetve tekintse meg az ábrákat. Az alább felsorolt utasítások bármelyikének figyelmen kívül hagyása áramütést, tüzet és/vagy súlyos testi sérüléseket eredményezhet.

**Örizzon meg minden figyelmeztetést és utasítást, a jövőben szüksége lehet ezekre.**

A figyelmeztetéseken használatos "elektromos kéziszerszám" kifejezés az ön hálózatról üzemeltetett (vezetékes) elektromos kéziszerszámára vagy akkumulátoros (vezeték nélküli) elektromos kéziszerszámára vonatkozik.

## 1. A MUNKATERÜLET BIZTONSÁGA

- A munkaterület tartsa tisztán és jól megvilágítva.** A zsúfolt vagy sötét munkaterület balesethez vezethet.
- Ne üzemeltessen elektromos kéziszerszámot robbanékony légkörben, például gyúlékony folyadékok, gázok vagy por jelenléte mellett.** Az elektromos kéziszerszámok használata során szikrák keletkeznek, amelyek hatására a por vagy gáz kigyulladhat.
- Elektromos kéziszerszámok működtetése közben tartsa távol a gyermekeket és bámészkodókat.** A figyelem elterelése kontrollvesztést eredményezhet.

## 2. ELEKTROMOS BIZTONSÁG

- Az elektromos kéziszerszámok dugójának illeszkednie kell a dugaljba. Soha, semmilyen módon ne módosítsa a dugót. Földelt elektromos kéziszerszámokkal ne használjon adaptert.** Ha nem módosított dugókat és megfelelő dugaljat használ, azzal csökkenti az áramütés kockázatát.
- Ne érintse meg a földelt felületeket, például csöveket, radiátorokat, tűzhelyeket vagy hűtőszekrényeket.** Ha a test földelt, nagyobb az áramütés kockázata.
- Ne tegye ki esőnek vagy nedves körülményeknek az elektromos kéziszerszámokat.** Ha egy elektromos kéziszerszámba víz kerül, megnő az áramütés kockázata.
- Vigyázzon a szerszám kábelére. Soha ne hordozza, húzogassa vagy húzza ki az áramból az elektromos kéziszerszámot a kábelnél fogva.** A kábelt tartsa távol a hőtől, olajtól, éles peremektől vagy mozgó részekről. A sérült vagy összegubancolódott kábel növeli az áramütés kockázatát.

- Ha az elektromos kéziszerszámot szabadterben üzemelteti, használjon külső használatra alkalmas hosszabbítót.** A külső használatra alkalmas kábel használatával csökken az áramütés kockázata.
- Ha elkerülhetetlen, hogy az elektromos kéziszerszámot nedves helyen működtesse, használjon maradékáram-működtetési megszakító (RCD) védelemmel rendelkező áramforrást.** A maradékáram-működtetési megszakító használata csökkenti az áramütés kockázatát.

## 3. SZEMÉLYI BIZTONSÁG

- Az elektromos kéziszerszám működtetése közben maradjon éber, figyeljen arra, amit csinál, és használja a józan eszét. Ne működtesse az elektromos kéziszerszámot, ha fáradt, illetve gyógyszerek, alkohol vagy drogok hatása alatt áll.** Egy pillanatnyi figyelmetlenség az elektromos kéziszerszámok működtetése közben súlyos sérülésekhez vezethet.
  - Használjon személyi védőfelszereléseket. Mindig használjon szemvédelmet.** A személyi védőfelszerelés, például pormaszok, csúszásmentes biztonsági lábbeli, védősisak vagy szükség esetén hallásvédelem használatával csökkenthető a személyi sérülések kockázata.
  - Kerülje el, hogy a szerszám véletlenül működésbe lépjen. Mielőtt az elektromos kéziszerszámot áramhoz csatlakoztatná, behelyezné az akkumulátort, felvenné vagy vinné a szerszámot ellenőrizze, hogy a kapcsoló "ki" helyzetbe legyen állítva.** Ha a szerszám hordozásakor ujját a kapcsolón tartja, vagy áram alá helyezi a bekapcsolt készüléket, az balesetekhez vezethet.
  - Mielőtt az elektromos kéziszerszámot bekapcsolná, távolítson el róla minden állítókulcsot.** Ha az elektromos kéziszerszám forgórészein állítókulcs marad, az személyi sérüléshez vezethet.
  - Ne próbáljon túl messzire nyúlni. Mindig vigyázzon, hogy stabilan álljon, és őrizz meg egyensúlyát.** Ez segít, hogy váratlan helyzetekben uralja az elektromos kéziszerszámot.
  - Viseljen megfelelő öltözetet. Ne viseljen bő ruházatot vagy hosszú ékszert. Haját, ruházatát és kesztyűjét tartsa a mozgó alkatrészekről távol.** A bő ruházatot, hosszú ékszert vagy hosszú hajat bekapathatják a mozgó elemek.
  - Ha a szerszámhoz porszívó vagy -gyűjtő is csatlakoztatható, gondoskodjon ezek megfelelő csatlakoztatásáról és használatáról.** A porgyűjtő használatával csökkenthetőek a porral kapcsolatos kockázatok.
  - Ne hagyja, hogy a szerszám gyakori használata túl elbizakodottá tegye, és hogy ezáltal figyelmen kívül hagyja a szerszám biztonsági követelményeit.** A másodperc töredéke is elég ahhoz, hogy egy figyelmetlen mozdulat súlyos sérüléshez vezessen.
- ## 4. AZ ELEKTROMOS KÉZISZERSZÁM HASZNÁLATA ÉS KARBANTARTÁSA
- Ne erőltesse az elektromos kéziszerszámot. Mindig megfelelő elektromos kéziszerszámot használjon.** Ha a megfelelő elektromos kéziszerszámot használja, azzal a rendeltetési területén jobban és biztonságosabban elvégezhető a munka.



- b) Ne használja az elektromos kéziszerszámot, ha azt nem lehet kikapcsolni.** Ha egy elektromos kéziszerszám nem szabályozható a kapcsolóval, az veszélyes, és javításra szorul.
- c) Mielőtt a szerszámot beállítaná, tartozékot cserélné, illetve tároláskor húzza ki a dugót az áramforrásból, és/vagy vegye ki az akkumulátort az elektromos kéziszerszámból.** Ezekkel a megelőző biztonsági intézkedésekkel csökken annak a kockázata, hogy a kéziszerszám véletlenül bekapcsoljon.
- d) Az elektromos kéziszerszámokat használaton kívül tartsa a gyermekektől távol, és ne hagyja, hogy a szerszámot vagy ezeket az utasításokat nem ismerő személyek működtessék azt.** A tapasztalatlan felhasználók kezében az elektromos kéziszerszámok veszélyessé válnak.
- e) Tartsa karban az elektromos kéziszerszámokat. Ellenőrizze, hogy a mozgó elemek megfelelően helyezkednek-e el és nem szorultak-e be, az alkatrészek épek, és semmilyen más hiba nincs kihatással az elektromos kéziszerszám működésére. Ha sérülést talál, használat előtt javíttassa meg a szerszámot.** A nem megfelelően karbantartott elektromos kéziszerszámok sok balesetet okoznak.
- f) A vágószerszámokat tartsa tisztán, és figyeljen, hogy élesek maradjanak.** A megfelelően karbantartott, éles vágószerszámok ritkábban akadnak meg, és egyszerűbben irányíthatóak.
- g) Az elektromos kéziszerszámot, a kiegészítőket és fejeket használja a fenti utasításoknak megfelelően, figyelembe véve a munkakörülményeket és az elvégzendő munkát.** Ha az elektromos kéziszerszámot nem rendeltetésszerűen használja, az veszélyhelyzetet teremthet.
- h) Őrizze szárazon, tisztán, olaj- és zsírmentesen a szerszám fogantyúit és megragadási részeit.** A csúszos fogantyúk és

megragadási részek főleg váratlan helyzetekben akadályozzák a szerszám biztonságos megfogását, kezelését és irányítását.

## 5. Szerviz

- a) Az elektromos kéziszerszámot csak képzett szerelő javíthatja megfelelő cserealkatrészekkel.** Ez biztosítja az elektromos kéziszerszám biztonságos működését.

## SZIMBÓLUMOK



A sérülésveszély csökkentése érdekében a felhasználónak el kell olvasnia az utasításokat



Figyelmeztetés



Viseljen fülvédőt



Viseljen szemvédőt



Viseljen pormaszkot



Dupla szigetelés



A leselejtezett elektromos készülékek nem dobhatók ki a háztartási hulladékkal. Ha van a közelben elektromos hulladék gyűjtő udvar, vigye oda a készüléket. Az újrahasznosítási lehetőségekről tájékozódjon a helyi hatóságoknál vagy a kereskedőnél

HU

## ALKATRÉSZLISTA

1. FORDULATSZÁM-SZABÁLYZÓ
2. FŐKAPCSOLÓ
3. KÉZI MARKOLAT TERÜLETE
4. PORGYŰJTŐ TARTÁLY
5. CSISZOLÓPAPÍR BEFOGÓKAR
6. BEFOGÓKAR ZÁR
7. ALUMÍNIUM TALPLEMEZ
8. PAPIRLYUKASZTÓ
9. CSISZOLÓPAPÍR
10. LÉGSZÍVÓ ADAPTER
11. PORELSZÍVÓ KIMENETI NYÍLÁS (LÁSD A C. ÁBRÁT)

# MŰSZAKI ADATOK

Típus DX45 (45 – a gép megnevezése, befejező csiszológép típus)

Névleges feszültség	220-240V~50/60Hz
Névleges teljesítmény	240W
Üresjárat sebesség	6000-11000/min
Védelmi osztály	□/II
Csiszolótányér mérete	90*187mm
Rezgéskör átmérő	1.6mm
Gép súlya	1.63kg

## ZAJVÉDELMI TÁJÉKOZTATÁS

A-súlyozású hangnyomásszint	$L_{pA} = 78$ dB(A)
A-súlyozott hangteljesítmény	$L_{wA} = 89$ dB(A)
$K_{pA}$ & $K_{wA}$	3.0 dB(A)
<b>Viseljen fülvédőt.</b>	

## REZGÉSÉRTÉKEK

Az EN62841 szabvány szerint meghatározott összes rezgés (háromtengelyű vektoriálisösszeg) a következő:	
Rezgéskibocsátás	$a_h = 6,0$ m/s <sup>2</sup>
	Bizonytalanság K = 1.5 m/s <sup>2</sup>

A vibráció és a zaj bejelentett összértékét szabványos mérési módszerrel állapították meg, és ezeket az értékeket két szerszám összehasonlításához is fel lehet használni.

A vibráció és a zaj bejelentett összértékeit a rezgéseknek és zajátalomnak való kitétség előzetes felbecsléséhez is fel lehet használni.



**FIGYELEM:** A kéziszerszám aktuális használatakor mérhető vibráció és zajkibocsátási értékek eltérhetnek a bejelentett értékektől, mert nagyban függnek a szerszám használati módjától és a megmunkált alkatrész típusától. Íme néhány példa és eltérő érték a szerszám használatától függően:

Hogyan használják a szerszámot, milyen anyagokat vágnak vagy fúrnak.

Az eszköz jó állapotban van-e, megfelelően karbantartják-e.

Megfelelő tartozékokat használnak-e az eszközhöz, vigyáznak-e, hogy éles legyen, és jó állapotban maradjon.

A fogantyú megragadásának erősségétől és az esetleg használt vibrációs- és zajcsökkentő tartozék típusától.

A szerszámot rendeltetésszerűen, kialakításának és a jelen utasításoknak megfelelően használják-e.

**Ha a szerszámot nem kezelik megfelelően, kéz-kar vibrációs szindrómát okozhat.**



**FIGYELEM:** A pontosság érdekében az expozíciós szint becslött értékéhez a valós használati körülmények között figyelembe kell venni a működési ciklus valamennyi elemét, így azt az időt is, amikor a szerszám ki van kapcsolva, és amikor üresjáratban működik. Ez a teljes munkaidőszak viszonylatában jelentősen csökkentheti az expozíciós szintet. A vibrációnak és zajnak való kitétség kockázatának csökkentése.

MINDIG éles vésőt, pengét, és hegyes fűrófejet használjon.

Az eszközt jelen utasításoknak megfelelően tartsa karban, és vigyázzon a megfelelő kenésre (ahol erre szükség van).

Ha a szerszám rendszeres használatát tervezik, akkor megéri a vibráció- és zajcsökkentő tartozékok beszerzése.

Úgy tervezze meg a munkáját, hogy a magas rezgésszámú eszközök használatát igénylő feladatokat több napra ossza el.

## TARTOZÉKOK

Csiszolópapír lyukasztó	1
Porkivezető adapter	1
80-as bilincs csiszolópapírral	1
Porgyűjtő	1

Javasoljuk, hogy a tartozékokat ugyanabból a boltból vásárolja meg, ahol a szerszámot is vásárolta. További részleteket a tartozék csomagolásán talál. Kérjen segítséget és tanácsot a bolti eladóktól.

# HASZNÁLATI UTASÍTÁSOK



**MEGJEGYZÉS:** A szerszám használata előtt olvassa el figyelmesen a használati útmutatót.

## RENDELTETTÉSSZERŰ HASZNÁLAT

A gépet fa, műanyag, töltőanyag és bevonatos felületek száraz csiszolására tervezték.

## ÖSSZESZERELÉS

### 1. A CSISZOLÓPAPÍR FELSZERELÉSE (LÁSD AZ A., B. ÁBRÁKAT)

- Csiszolópapír horog- és hurokrendszer nélkül Emelje fel a csiszolópapír befogókart, és mozgassa el a befogókar reteszétől. Ismételje meg ezt a másik befogókkal az ellenkező oldalon.

Helyezze a csiszolópapír egyik végét kb. 5 mm-rel a csiszolópapír befogókar alá. Emelje fel ismét a csiszolópapír befogókart, és a papír rögzítéséhez mozgassa vissza a befogókar záró helyzetébe.

Nyomja a csiszolópapírt az alaplemez alakja köré a lehető legszorosabban, és rögzítse a csiszolópapír másik végét.

Ellenőrizze a csiszolópapírt, és mindig ellenőrizze, hogy szorosan az alaplemez fölött van-e, és mindkét rögzített befogó alá van-e rögzítve.

- Csiszolópapír horog- és hurokrendszerrel Igazítsa ki és közvetlenül kézzel nyomja rá a csiszolópapírt a csiszolótányérra. Erősen nyomja a csiszolópapírral együtt a csiszológépet egy sima felülethez, hogy biztosítsa a papír rögzítését. A csiszolópapír és a csiszolótányér furatainak jól egymáshoz kell igazodniuk.

### 2. A PORGYÚJTÓ TARTÁLY FELSZERELÉSE ÉS ELTÁVOLÍTÁSA (LÁSD A C. ÁBRÁT)

Az Ön csiszológépe fel van szerelve porgyűjtő tartállyal. A felhelyezéshez helyezze be a porgyűjtő tartályt a hátsó porelszívó kimeneti nyílásba, amíg biztonságosan rögzül. A levételhez nyomja meg a kioldókart (a) a porgyűjtő tartály mindkét oldalán, és csúsztassa ki a porgyűjtő tartályt.



**VIGYÁZAT:** A csiszolási por vagy idegen testek arcába vagy szemébe kerülésének elkerülése érdekében soha ne próbálja meg használni a csiszológépet a megfelelően felszerelt porgyűjtő tartály nélkül.

### 3. ÜRÍTSE KI A PORTARTÁLYT (LÁSD A D. ÁBRÁT)

A hatékonyabb működés érdekében 5-10 percnként ürítse ki a porgyűjtő tartályt. Ez lehetővé teszi, hogy a levegő jobban átáramoljon a tartályon.

A porgyűjtő tartály kiürítéséhez először vegye ki azt a porelszívó kimeneti nyílásból, nyomja meg a tartály hátulján lévő gombot a tartály hátuljának kinyitásához, majd rázza ki a port.

### 4. CSISZOLÓGÉP CSATLAKOZTATÁSA A VÁKUUMHOZ (LÁSD A E. ÁBRÁT)

Az Ön csiszológépe légszívó adapterrel van felszerelve, amelyet porgyűjtési feladatra terveztek. Helyezze be a légszívó adaptert a hátsó porelszívó kimeneti nyílásba, és győződjön meg arról, hogy jól meg van húzva. Ezután csatlakoztassa az adaptert egy légszívó tömlőjéhez.

Használat közben először kapcsolja be a légszívót, majd a csiszológépet. Ha abbahagyja a csiszolást, először kapcsolja ki a csiszológépet, majd kapcsolja ki a légszívót.

**MEGJEGYZÉS:** Kérjük, az adaptert mindig 35 mm-es légszívó tömlővel csatlakoztassa.

## MŰKÖDTETÉS

### 1. FŐKAPCSOLÓ MŰKÖDÉSE (LÁSD AZ F. ÁBRÁT)

A működtetéshez csúsztassa előre a főkapcsolót, a leállításhoz pedig csúsztassa hátrafelé.

### 2. VÁLTOZÓ FORDULATSZÁM-SZABÁLYOZÁS (LÁSD AZ G. ÁBRÁT)

A változó fordulatszám-szabályozással a kívánt fordulatszám választható ki (menet közben is).

A szükséges fordulatszám az anyagtól függ, és gyakorlati próbával kell meghatározni.

### 3. PAPIRLYUKASZTÓ (LÁSD A H. ÁBRÁT)

Ha porelszívó lyuk nélküli csiszolópapírt használ, először a papírlukasztóval lyukassza ki a lyukakat a megfelelő porelszívás érdekében. Helyezze a lyukasztót az alaplemez fölé úgy, hogy a lyukasztó oldalai az alaplemez széleivel egy vonalban essenek. Nyomja a lyukasztót az alaplemezbe, hogy lyukakat lyukasszon a csiszolópapírra. Ezután távolítsa el a lyukasztót, és ellenőrizze, hogy minden lyuk helyesen lett-e kialakítva.

### 4. A CSISZOLÓGÉP HASZNÁLATA

A csiszoló munkadarabot rögzíteni kell. Ha kicsi, vagy csiszolás közben elmozdulhat, akkor azt egy satuba kell fogni vagy megfelelően rögzíteni kell. Ügyeljen arra, hogy a csiszológépet bekapcsolás közben erősen tartsa, és óvatosan helyezze a munkadarabra, mert az első érintkezéskor „rúghat”. Tartsa a csiszológépet úgy, hogy az síkban legyen a munkadarabon, és lassan, lehetőleg egyenletes, körkörös mozdulatokkal mozogjon. Rendszeresen ellenőrizze a csiszolópapír állapotát, és a legjobb eredmény érdekében cserélje ki, ha elhasználódott.

## A REZGŐCSISZOLÓ HASZNÁLATÁVAL KAPCSOLATOS JAVASLATOK

- Amennyiben a szerszám túlságosan felmelegedik, különösen, ha alacsony sebességen használta, állítsa maximális sebességre, és járassa terhelés nélkül 2-3 percig a motor lehűlése érdekében. Kerülje a hosszantartó használatot alacsony sebességen. Mindig a csiszolandó anyagnak megfelelő csiszolópapírt használjon.
- Az elmozdulás megelőzése érdekében mindig ellenőrizze, hogy a munkadarab szilárdan rögzítve legyen.
- Az anyag elmozdulása befolyásolhatja a csiszolt felület minőségét.
- A csiszológépet a munka megkezdése előtt indítsa el, és csak a csiszolás befejezése után kapcsolja ki. A legjobb eredmény érdekében a faanyagot szálirányban csiszolja.

5. Ne kezdje el a csiszolást anélkül, hogy a csiszolópapírt behelyezte volna.
6. Ne hagyja, hogy a csiszolópapír elkopjon: ez károsítja a talpat. A garancia nem terjed ki a talp elkopására és törésére.
7. Durva felületek csiszolásához használjon durva szemcsésű csiszolópapírt, közepesen durva felületekhez közepes szemcsésű csiszolópapírt, a finom felületekhez és finommunkához pedig finom szemcsésű csiszolópapírt. Ha szükséges, először végezzen próbacsiszolást egy maradék anyagon.
8. Csak jó minőségű csiszolópapírt használjon.
9. A csiszolás hatékonyságát a csiszolópapír szabályozza, és nem az, hogy mekkora erővel nyomja a szerszámot. A túl nagy erő kifejtés csökkenti a csiszolás hatékonyságát, és túlterheli a motort. A csiszolópapír rendszeres cseréjével biztosíthatja a csiszolás maximális hatékonyságát.

## KARBANTARTÁS

### Húzza ki a dugót a konnektorból Mielőtt bármilyen beállítás, vagy karbantartási.

Az elektromos szerszáma nem igényel további kenést és karbantartást. Nincsenek a felhasználó által javítható alkatrészek a szerszámot. Soha ne használjon vizet vagy vegyi tisztítószereket a szerszámot. Törölje le egy száraz ruhával. Mindig tárolja a szerszámot száraz helyen. Tartsa a motor szellőzőnyílásait. Tartsa a munka ellenőrzése a portól.


A szellőzőnyílásokon keresztül néha szikrák láthatók. Ez természetes, nem okoz kárt az elektromos kéziszerszámban.

Ha a tápkábel sérült, ki kell cserélni a gyártó, a hivatalos márkaszerviz vagy hasonlóan képzett személyeket, hogy a kockázatok elkerülése.

## HIBAELHÁRÍTÁS

1. Ha a csiszológép nem működik, ellenőrizze a hálózati csatlakozónál lévő áramellátást.
2. Ha a csiszológép nem csiszolja a felületet, ellenőrizze a csiszolópapírt. Ha a csiszolópapír elhasználódott, cserélje ki az új papírt, és próbálja meg újra. A papírt száraz helyen kell tartani, ha nedvessé válik, a csiszolószemcsék elveszítik tapadásukat az alátéppapírhoz, és nem csiszolnak.
3. Ha a csiszológép nem mozog egyenletesen, elfordulhat, hogy a csiszolópapír laza, sérült vagy gyűrött. Cserélje ki, és próbálja meg újra.
4. Ha a hiba nem orvosolható, küldje vissza a csiszológépet javításra egy hivatalos forgalmazóhoz.

## KÖRNYEZETVÉDELEM

 A leselejtezett elektromos készülékek nem dobhatók ki a háztartási hulladékkal. Ha van a közelben elektromos hulladék gyűjtő udvar, vigye oda a készüléket. Az újrahasznosítási lehetőségekről tájékozódjon a helyi hatóságoknál vagy a kereskedőnél

## MEGFELELŐSÉGI NYILATKOZAT

A gyártó,  
POSITEC Germany GmbH  
Postfach 32 02 16, 50796 Cologne, Germany

Kijelenti, hogy a termék:

Leírás: **1/3 Lapos csiszológép**  
Típus: **DX45 (45-a szerszám megjelölése, rezgőcsiszolót jelöl)**  
Rendeltetés: **A felületi anyag eltávolítása dörzsanyag segítségével**

Megfelel a következő irányelveknek:

**2006/42/EC, 2014/30/EU, 2011/65/EU&(EU)2015/863**

Az alábbi normáknak

**EN 55014-1, EN 55014-2, EN 62841-1, EN 62841-2-4, EN IEC 61000-3-2, EN 61000-3-3**

A műszaki dokumentáció összeállítására jogosult személy:

**Név Marcel Filz**  
**Cím POSITEC Germany GmbH**  
**Postfach 32 02 16, 50796 Cologne, Germany**





2023/04/16

Allen Ding

Helyettes főmérnöke, Tesztelés és minősítés  
Positec Technology (China) Co., Ltd.  
18, Dongwang Road, Suzhou Industrial Park, Jiangsu 215123, P. R. China

# INSTRUCȚIUNI ORIGINALE SECURITĂȚEA PRODUSULUI AVERTISMENTE GENERALE DE SIGURANȚĂ PENTRU UNELTE ELECTRICE

 **ATENȚIONARE:** Citiți toate atenționările de siguranță și parcurgeți toate instrucțiunile, ilustrațiile și specificațiile atașate acestei scule electrice. Nerespectarea tuturor instrucțiunilor enumerate mai jos poate duce la electrocutare, incendiu și/sau leziune corporală gravă.

**Păstrați toate avertismentele și instrucțiunile pentru consultări ulterioare.**

Termenul „unealtă electrică” din avertismentele se referă la o unealtă electrică alimentată de la rețeaua de energie electrică (prin cablu) sau la o unealtă electrică alimentată de la un acumulator (fără cablu).

## 1. SIGURANȚA ZONEI DE LUCRU

- Mențineți zona de lucru curată și bine iluminată.** Zonele de lucru în dezordine și întunecoase favorizează accidente.
- Nu utilizați unelte electrice în atmosfere explozive, de exemplu în prezența unor lichide, gaze sau praf inflamabile.** Uneltele electrice provoacă scântei ce pot aprinde pulberea sau vaporii.
- Asigurați-vă că nu sunt în apropiere persoane și copii în timpul funcționării unei unelte electrice.** Distragerea atenției poate duce la pierderea controlului uneltei.

## 2. SIGURANȚA ELECTRICĂ

- Fișele uneltei electrice trebuie să se potrivească perfect în priza de alimentare. Nu modificați niciodată ștecherul.** Nu folosiți niciun adaptor pentru uneltele electrice cu împământare. Utilizarea ștecherelor nemodificate în prize corespunzătoare va reduce riscul electrocutării.
- Evitați contactul fizic cu suprafețe cu legătură la pământ, cum ar fi țevi, radiatoare, mașini de gătit sau frigider.** Riscul electrocutării este mai mare în cazul în care corpul dumneavoastră vine în contact cu suprafața împământată.
- Nu expuneți uneltele electrice la ploaie sau la umiditate.** Dacă intră apă în unealta electrică, riscul electrocutării este mai mare.
- Nu deteriorați cablul de alimentare. Nu folosiți niciodată cablul pentru transportarea, tragerea sau scoaterea din priză a uneltei electrice. Păstrați cablul de alimentare la distanță de căldură, ulei, margini ascuțite sau părți mobile.** Cablurile deteriorate sau incurcate măresc riscul electrocutării.
- Când folosiți uneltea electrică în exterior, utilizați un prelungitor potrivit pentru utilizarea în exterior.** Utilizarea unui cablu potrivit pentru uzul în exterior reduce riscul electrocutării.

- Dacă utilizarea uneltei electrice într-un loc umed nu poate fi evitată, folosiți o alimentare protejată cu dispozitiv de curent rezidual (RCD).** Folosirea unui dispozitiv RCD reduce riscul electrocutării.

## 3. SIGURANȚA PERSONALĂ

- Fiți concentrat, urmăriți ceea ce faceți și dați dovadă de simț practic când folosiți o unealtă electrică. Nu folosiți o unealtă electrică dacă sunteți obosit sau sub influența drogurilor, a alcoolului sau a medicamentelor.** O clipă de neatenție în timpul funcționării uneltei electrice poate duce la accidentări personale grave.
  - Folosiți echipament personal de protecție. Purtați întotdeauna ochelari de protecție.** Echipamentele de protecție precum masca de protecție contra prafului, încălțăminte cu talpă antiderapantă, casca sau protecția pentru urechi vor reduce riscul accidentărilor, utilizate în mod corespunzător.
  - Preveniți punerea accidentală în funcțiune. Asigurați-vă că întrerupătorul se află în poziția de oprire înainte de a face conectarea la sursa de alimentare și/sau la acumulator, înainte de a ridica sau a transporta uneltea.** Transportarea uneltei electrice ținând degetul pe întrerupător sau alimentarea acestora cu întrerupătorul pornit poate duce la accidentări.
  - Scoateți orice cheie de reglare sau cheie de piulițe înainte de a porni uneltea electrică.** O cheie de piulițe sau o altă cheie rămasă prinsă de o componentă rotativă a uneltei poate duce la rănirea personală.
  - Păstrați un echilibru corect. Mențineți-vă permanent echilibrul și sprijiniți-vă ferm pe picioare.** Acest lucru permite un control mai bun al uneltei electrice în situații neprevăzute.
  - Îmbrăcați-vă corespunzător. Nu purtați îmbrăcăminte prea largă sau bijuterii. Țineți la distanță părul și hainele dvs. de piesele în mișcare ale uneltei electrice.** Hainele prea largi, bijuteriile și părul lung se pot prinde în piesele mobile.
  - Dacă sunt furnizate accesoriile pentru conectarea unor dispozitive de aspirare și colectare a prafului, asigurați-vă că acestea sunt montate și folosite corect.** Folosirea colectorului de praf poate reduce riscul accidentărilor din cauza prafului.
  - Nu lăsați ca odată cu familiarizarea dvs. cu utilizarea uneltei să deveniți indolenți și să uitați respectarea principiilor de siguranță ale uneltei electrice.** Orice acțiune nesăbuită poate duce la leziuni corporale grave într-o fracțiune de secundă.
- ## 4. UTILIZAREA ȘI ÎNTREȚINEREA UNELTELOR ELECTRICE
- Nu forțați uneltea electrică. Folosiți uneltea electrică potrivită pentru aplicație.** Cu uneltea electrică potrivită, veți lucra mai bine și mai în siguranță, la viteza pentru care a fost concepută.
  - Nu folosiți uneltea electrică dacă nu o puteți porni sau opri de la întrerupător.** Orice unealtă electrică ce nu poate fi acționată de la

întrerupător este periculoasă și trebuie reparată.

- c) **Scoateți ștecherul din sursa de curent și/ sau scoateți bateria din unealta electrică înainte de a efectua reglaje, de a schimba accesoriile sau de a depozita unelte electrice.** Astfel de măsuri de siguranță reduc riscul pornirii accidentale a uneltei electrice.
- d) **Nu lăsați uneltele electrice la îndemâna copiilor și nu permiteți persoanelor ce nu știu să le manevreze și nu cunosc instrucțiunile să acționeze aceste unelte.** Uneltele electrice sunt periculoase în mâinile utilizatorilor neinstruiți.
- e) **Întreținerea uneltei electrice și ale accesoriilor aferente. Verificați posibila aliniere incorectă sau posibila blocare a componentelor mobile, deteriorarea componentelor sau orice alte situații care pot afecta funcționarea uneltei electrice. Dacă unealta electrică este deteriorată, reparați-o înainte de utilizare.** Multe accidente sunt provocate din cauza întreținerii incorecte a uneltelor.
- f) **Uneltele de tăiere trebuie menținute ascuțite și curate.** Riscul blocării uneltelor de tăiere cu margini ascuțite întreținute corect este mai mic și acestea sunt mai ușor de controlat.
- g) **Folosiți unealta electrică, accesoriile, piesele etc. conform acestor instrucțiuni, luând în considerare condițiile de lucru și operația de efectuat.** Folosirea uneltei electrice pentru operații diferite de cele pentru care a fost concepută poate duce la accidente.
- h) **Păstrați uscate, curate și fără urme de ulei sau grăsime mânerul și suprafețele de apucare ale uneltei.** Mânerul și suprafețele de apucare alunecoase împiedică manipularea și controlul sigur al uneltei tocmai în cele mai neașteptate situații.

## 5. Service

- a) **Service-ul uneltei electrice trebuie efectuat de persoane calificate, folosind doar piese de schimb originale.** Acest lucru va asigura folosirea în continuare a uneltei electrice în siguranță.

## SIMBOLURI



Pentru a reduce riscul de accidentări, utilizatorul trebuie să citească manualul de instrucțiuni



Avvertiment



Purtați echipament de protecție pentru urechi



Purtați echipament de protecție pentru ochi



Purtați mască de protecție contra prafului



Izolație dublă



Produsele electrice nu trebuie depuse la deșeurile împreună cu gunoii menajeri. Vă rugăm să depuneți produsele electrice la unitățile de reciclare existente. Consultați-vă cu autoritățile locale sau cu distribuitorul pentru sfaturi privind reciclarea.


## LISTA COMPONENTELOR

1. CONTROLUL VITEZEI VARIABILE
2. BUTON DE PORNIT/OPRIT
3. ZONĂ DE PRINDERE CU MÂNA
4. CUTIE DE PRAF
5. MANETĂ DE FIXARE PENTRU HÂRTIE ABRAZIVĂ
6. SISTEME DE BLOCARE A MANETEI CLEMEI
7. PLACĂ DE BAZĂ DIN ALUMINIU
8. HÂRTIE DE PERFORARE CU GĂURI
9. HÂRTIE ABRAZIVĂ
10. ADAPTOR DE VID
11. IEȘIRE DE EVACUARE A PRAFULUI (A SE VEDEA FIG. C)

## DATE TEHNICE

Tip DX45 (45 - denumirea aparatului, reprezentativă pentru șlefuitorul de finisaj)

Tensiune nominală	220-240V~50/60Hz
Putere nominală	240W

Viteză fără sarcină	6000-11000/min
Clasă de protecție	 /II
Dimensiunea bazei	90*187mm
Diametrul orbital	1.6mm
Greutatea mașinii	1.63kg

## INFORMAȚII PRIVIND ZGOMOTUL

Presiunea acustică ponderată A	$L_{pA} = 78 \text{ dB(A)}$
Puterea acustică ponderată A	$L_{wA} = 89 \text{ dB(A)}$
$K_{pA}$ & $K_{wA}$	3.0 dB(A)
<b>Purtați echipament de protecție a urechilor.</b>	

## INFORMAȚII PRIVIND VIBRAȚIILE

Valori totale vibrații (sumă vectorială triaxială) determinată conform EN 62841:	
Valoare emisii de vibrații	$a_h = 6,0 \text{ m/s}^2$
	Marjă de eroare $K = 1.5 \text{ m/s}^2$

Valoarea totală declarată pentru vibrații și pentru zgomot a fost măsurată în concordanță cu metoda de testare standard și poate fi utilizată și la compararea a două unelte.

Valoarea totală declarată pentru vibrații și pentru zgomot poate fi utilizată și la evaluarea preliminară a expunerii la acestea.

**!** **ATENȚIONARE:** Nivelul emisiilor de vibrații și de zgomot în timpul utilizării reale a unelei poate să difere de valorile declarate, aceste valori fiind în funcție de modalitățile de utilizare ale sculei, dar mai ales de felul pieșii prelucrate cu unealta. Iată în continuare niște exemple de utilizare care conduc la apariția diferențelor de valori:

Modul în care scula este folosită și tipul de materiale tăiate sau sfredelite.

Scula este în stare bună de funcționare și bine întreținută.

Folosirea accesoriului corect pentru sculă și păstrarea acesteia în condiții bune.

Forța de apucare a mânerelor și dacă s-a utilizat vreun accesoriu de reducere a vibrațiilor și a zgomotului.

Scula este folosită conform indicațiilor din fabrică și conform acestor instrucțiuni.

**Această sculă poate cauza sindromul vibrație mână-braț dacă nu este folosită în mod corespunzător.**

**!** **ATENȚIONARE:** Pentru a fi corectă, estimarea nivelului de expunere în condiții concrete de folosire trebuie să ia în considerare toate părțile ciclului de operare cum ar fi de câte ori scula este oprită și cât timp este pornită dar nu lucrează. Acest lucru poate reduce semnificativ nivelul de expunere de-a lungul perioadei de lucru totale.

Minimalizarea riscului de expunere la vibrații și la zgomot.

Folosiți ÎNTOTDEAUNA dalte, burghiuri și lame ascuțite.

Păstrați acest aparat în conformitate cu aceste instrucțiuni și păstrați-l bine gresat (dacă e cazul).

Dacă unealta va fi utilizată în mod regulat, atunci nu ezitați să investiți în procurarea de accesorii antivibrație și antizgomot.

Planificați-vă programul de lucru pentru a folosi sculele cu număr mare de vibrații de-a lungul a mai multe zile.

## ACCESORII

Perforator de hârtie	1
Adaptor de aspirare	1
80 granulatia hartiei de șlefuit clemă	1
Cutie de colectare praf	1

Vă recomandăm să achiziționați accesoriile de la același magazin de la care ați cumpărat unealta. Consultați ambalajul accesoriului pentru detalii suplimentare. Personalul din magazin vă poate oferi asistență și sfaturi.

# INSTRUCȚIUNI DE UTILIZARE



**NOTĂ:** Înainte de a utiliza unealta, citiți cu atenție manualul de instrucțiuni.

## UTILIZAREA PREVĂZUTĂ

Mașina este destinată șlefuirii uscate a lemnului, plasticului, materialelor de umplură și suprafețelor acoperite.

## ASAMBLAREA

### 1. MONTAREA HĂRTIEI ABRAZIVE (A SE VEDEA FIG. A, B)

- Hârtie abrazivă fără sistem de cârlig și buclă Ridicați maneta de fixare pentru hârtie abrazivă și scoateți-o din sistemul de blocare a manetei de fixare. Repetați procedura și pentru cealaltă manetă de fixare din partea opusă.

Introduceți aproximativ 5 mm dintr-un capăt al hârtiei abrazive sub maneta de fixare pentru hârtie abrazivă. Ridicați din nou maneta de fixare pentru hârtie abrazivă și mutați-o înapoi în poziția de blocare a manetei de prindere pentru a bloca hârtia. Apăsăți hârtia abrazivă în jurul formeii tălpii cât mai strâns posibil și fixați celălalt capăt al hârtiei abrazive.

Verificați hârtia abrazivă și asigurați-vă întotdeauna că este fixă pe tală și prinsă sub ambele cleme de blocare.

- Hârtie abrazivă cu sistem cu cârlig și buclă

Aliniați și apăsați cu mâna hârtia abrazivă pe placa de bază. Apăsăți ferm șlefuitorul cu hârtia abrazivă pe o suprafață plană pentru a vă asigura că hârtia este bine fixată. Găurile de pe hârtia abrazivă și placa de bază trebuie să fie aliniate.

### 2. MONTAREA ȘI ÎNLĂTURAREA CUTIEI DE PRAF (CONSULTAȚI FIG. C)

Șlefuitorul este echipat cu o cutie de praf. Pentru a o atașa, introduceți cutia de praf în ieșirea de evacuare a prafului din spate fixând-o bine. Pentru a îndepărta, apăsați maneta de eliberare (a) de pe ambele părți ale cutiei de praf și glisați cutia de praf în afară.



**ATENȚIE:** Pentru a preveni proiectarea către față sau ochii dvs. a prafului rezultat din șlefuire sau a corpurilor străine, nu încercați niciodată să utilizați șlefuitorul fără cutia de praf instalată corespunzător.

### 3. GOLIREA CUTIEI DE PRAF (A SE VEDEA FIG. D)

Pentru o funcționare mai eficientă, goliți cutia de praf la fiecare 5 – 10 minute. Acest lucru va permite trecerea optimizată a aerului prin cutie.

Pentru a goli cutia de praf, scoateți-o mai întâi din ieșirea de evacuare a prafului, apăsați butonul din spatele cutiei pentru a deschide partea din spate a acesteia și apoi puteți scutura praful.

### 4. ATAȘAREA ȘLEFUITORULUI LA SURSA DE VID (A SE VEDEA FIG. E)

Șlefuitorul este echipat cu un adaptor de vid, care este conceput pentru colectarea prafului. Introduceți adaptorul de vid în ieșirea de evacuare a prafului din spate și asigurați-vă că este bine fixat. Apoi conectați adaptorul la furtunul unui aspirator.

Pentru utilizare, porniți mai întâi aspiratorul și apoi șlefuitorul. Dacă opriți șlefuirea, opriți mai întâi șlefuitorul

și apoi aspiratorul.

**NOTĂ:** Conectați întotdeauna adaptorul cu furtun de vid de 35 mm.

## FUNCȚIONAREA

### 1. FUNCȚIONAREA COMUTATORULUI DE PORNIRE/OPRIRE (A SE VEDEA FIG. F)

Glisați comutatorul de pornire/oprire spre față pentru a folosi aparatul și glisați-l înapoi pentru a-l opri.

### 2. CONTROLUL VITEZEI VARIABILE (A SE VEDEA FIG. G)

Cu controlul vitezei variabile poate fi selectată viteza dorită (inclusiv în timpul funcționării). Viteza necesară depinde de material și trebuie stabilită printr-o încercare practică.

### 3. HĂRTIE DE PERFORARE CU GĂURI (A SE VEDEA FIG. H)

Dacă se utilizează hârtie de perforare fără găuri pentru praf, mai întâi trebuie să utilizați hârtia de perforare cu găuri pentru a face găurile și a asigura extragerea corectă a prafului. Așezați perforatorul peste talpă, cu marginile perforatorului aliniate cu marginile tălpii. Apăsăți perforatorul în talpă pentru a perfora găurile în hârtia abrazivă. Scoateți apoi perforatorul și verificați să se fi format corect toate găurile.

### 4. UTILIZAREA ȘLEFUITORULUI

Piesa de prelucrat trebuie să fie bine fixată. Dacă este mică sau se poate deplasa în timpul șlefuirii, aceasta trebuie ținută într-o menhină sau altfel fixată în mod corespunzător.

Țineți ferm șlefuitorul în timp ce este pornit și aplicați-l ușor pe piesa de prelucrat. Poate exista o mișcare de recul la primul contact. Țineți șlefuitorul astfel încât să fie plan pe piesa de prelucrat și mișcați-l încet, de preferință cu o mișcare circulară ușoară. Pentru rezultate optime, verificați periodic starea hârtiei abrazive și înlocuiți-o atunci când s-a uzat.

## SFATURI PRIVIND UTILIZAREA INSTRUMENTULUI

1. Dacă scula electrică devine prea fierbinte, mai ales când este utilizată la tură mică, setați turabia la maxim și rulați fără sarcină timp de 2-3 minute pentru răcirea motorului. Evitați funcționarea prelungită la tură foarte mică. Utilizați întotdeauna hârtie abrazivă adecvată materialului de sablat.
2. Asigurați-vă întotdeauna că piesa de prelucrat este ținută sau strânsă ferm pentru prevenirea deplasării.
3. Orice deplasare a materialului poate afecta calitatea sablării.
4. Porniți mașina de șlefuit înainte de sablare și opriți-o după ce ați terminat sablarea. Pentru rezultate optime, sablați lemnul în direcția fibrei.
5. Nu începeți sablarea fără atașarea hârtiei abrazive.
6. Nu permiteți uzura hârtiei abrazive, deoarece deteriorează placa de bază. Garanția nu acoperă uzura plăcii de bază.
7. Utilizați hârtie abrazivă dură pentru sablarea suprafețelor dure, hârtie abrazivă medie pentru



suprafețele netezi și hârtie abrazivă fină pentru suprafețele finale. Dacă este necesar, executați un test pe material de probă.

8. Utilizați numai hârtie abrazivă de calitate bună.
9. Hârtia abrazivă controlează eficiența de sablare, nu forța aplicată sculei. Forța excesivă reduce eficiența de sablare și cauzează supraîncălzirea motorului. Înlocuirea regulată a hârtiei abrazive menține eficiența optimă de sablare.

## ÎNȚREȚINEREA

**Scoateți fișa din priză înainte de efectuarea oricărei reglări, lucrări de servizare sau întreținere.**

Scula electrică nu necesită gresare sau întreținere suplimentară.


Nu există piese care pot fi depanate de utilizator în scula electrică. Nu utilizați niciodată apă sau agenți de curățare chimici pentru curățarea sculei electrice. Ștergeți cu o cârpă uscată. Depozitați întotdeauna scula electrică într-un loc uscat. Mențineți fantele de ventilație a motorului curate. Mențineți toate controalele de lucru ferite de praf. Ocazional, puteți vedea scânteii prin fantele de ventilație. Acest lucru este normal și nu deteriorează scula electrică.

În cazul în care cordonul de alimentare este deteriorat, trebuie înlocuit de producător, agentul său de service sau de persoane calificate, pentru evitarea pericolului.

## DEPANAREA

1. Dacă șlefuitorul nu funcționează, verificați alimentarea la ștecher.
2. Dacă șlefuitorul nu polizează suprafețele, verificați hârtia abrazivă. Dacă s-a uzat hârtia abrazivă, înlocuiți-o cu una nouă și reîncercați. Hârtia trebuie păstrată într-un loc uscat, nu trebuie să se umezească, deoarece particulele abrazive își pierd aderența față de hârtia de bază și nu vor șlefui.
3. Dacă șlefuitorul nu se deplasează ușor, este posibil ca hârtia abrazivă să fie slăbită, deteriorată sau cutată. Înlocuiți-o și apoi reîncercați.
4. Dacă nu se poate repara o defecțiune, returnați șlefuitorul unui distribuitor autorizat pentru a o repara.

## PROTECȚIA MEDIULUI

 Produsele electrice nu trebuie depuse la deșeurii împreună cu gunoiul menajer. Vă rugăm să depuneți produsele electrice la unitățile de reciclare existente. Consultați-vă cu autoritățile locale sau cu distribuitorul pentru sfaturi privind reciclarea.

## DECLARAȚIE DE CONFORMITATE

Subsemnații,  
POSITEC Germany GmbH  
Postfach 32 02 16, 50796 Cologne, Germany

Declarăm că produsul,  
Descriere: **1/3 Mașină de șlefuit**  
Tip: **DX45 (45-denumirea de mașini, reprezentant al Sander finisare)**  
Funcție: **Scoaterea materialului de suprafață utilizând un mediu abraziv**

Respectă următoarele Directive,  
**2006/42/EC, 2014/30/EU, 2011/65/EU&(EU)2015/863**

Se conformează standardelor  
**EN 55014-1, EN 55014-2, EN 62841-1, EN 62841-2-4, EN IEC 61000-3-2, EN 61000-3-3**

Persoana responsabilă pentru elaborarea fișei tehnice,  
**Nume Marcel Filz**  
**Adresa POSITEC Germany GmbH**  
**Postfach 32 02 16, 50796 Cologne, Germany**



RO

2023/04/16

Allen Ding

Adjunct Inginer șef, Testare și certificare  
Positec Technology (China) Co., Ltd.  
18, Dongwang Road, Suzhou Industrial  
Park, Jiangsu 215123, P. R. China

# PŮVODNÍ NÁVOD K POUŽÍVÁNÍ BEZPEČNOST VÝROBKU OBECNÁ BEZPEČNOSTNÍ UPOZORNĚNÍ PRO ELEKTRICKÉ NÁSTROJE



**VAROVÁNÍ** Přečtěte si všechna bezpečnostní varování, pokyny, seznamte se s ilustracemi a technickými údaji dodanými s tímto elektrickým nářadím. Nedodržení jakýchkoliv níže uvedených pokynů může mít za následek úraz elektrickým proudem, vznik požáru nebo vážného úrazu.

**Uložte instrukce a veškerou dokumentaci pro budoucí použití.**

Výraz "elektrické ruční nářadí" znamená v upozornění buď na nářadí na elektrický pohon (napájené z elektrickou sítí) nebo na akumulátorové nářadí (napájené z akumulátoru).

## 1. BEZPEČNOST NA PRACOVÍŠTI

- a) **Udržujte pracoviště v čistotě a dobře osvětlené.** Pracoviště plné nepotřebných předmětů nebo slabě osvětlené zvyšuje možnost úrazu.
- b) **Nepoužívejte elektrické ruční nářadí v prostředí náchylném na exploze jako například v přítomnosti hořlavých tekutin, plynů nebo prachu.** Elektrické ruční nářadí při práci vytváří jiskry, které mohou vznítit prach nebo výpary.
- c) **Při práci s elektrickým ručním nářadím udržujte děti a přihlížející osoby v dostatečné vzdálenosti.** Ztráta pozornosti může vést ke ztrátě kontroly nad nářadím.

## 2. BEZPEČNOST PŘI PRÁCI S ELEKTRINOU

- a) **Vidlice elektrického ručního nářadí musí být shodného typu jako zásuvky el. sítě. Neměňte vidlice nedovoleným nebo neodborným způsobem, předejete tak možným zraněním nebo úrazu el proudem.** Nepoužívejte spolu s uzemněným ručním nářadím žádné adaptéry, které neumožňují ochranu zemněním.
- b) **Vyhýbejte se kontaktu s uzemněnými povrchy jako například trubkami, radiátory, sporáky a ledničkami.** Je-li vaše tělo spojené s uzemněným předmětem nebo stojí na uzemněné ploše, vzniká zvýšené riziko úrazu elektrickým proudem.
- c) **Nevstavujte ruční nářadí dešti nebo vlhkým podmínkám.** Když se voda dostane pod povrch elektrického ručního nářadí, vzniká zvýšené riziko úrazu elektrickým proudem.
- d) **Nemanipulujte s napájecím kabelem necitlivě. Nikdy si nepřítahujte elektrické ruční nářadí k sobě pomocí kabelu, netahejte je za sebou pomocí kabelu a nevytrhávejte kabel ze zástrčky, abyste ruční nářadí vypnuli.** Nevystavujte kabel vysokým teplotám, oleji, ostrým hranám nebo

kontaktu s pohyblivými dly. Poškozené nebo zamotané kabely mohou vést k zvýšenému riziku úrazu elektrickým proudem.

- e) **Při práci s ručním nářadím v exteriéru použijte prodlužovací kabel vhodný pro použití v exteriéru.** Použijte kabel vhodný pro venkovní prostředí, snižujete tím riziko vzniku úrazu elektrickým proudem.
  - f) **Pokud je práce s ručním nářadím ve vlhkých podmínkách nevyhnutelná, použijte napájení chráněné jističem typu proudový chránič (RCD).** Použití RCD jističe redukuje riziko vzniku úrazu elektrickým proudem.
- ## 3. OSOBNÍ BEZPEČNOST
- a) **Buďte soustředění, sledujte co děláte a při práci s ručním nářadím se řiďte zdravým rozumem. Nepoužívejte ruční nářadí, jste-li unaveni nebo pod vlivem omamných látek, alkoholu nebo léků.** Moment nepozornosti při práci s ručním nářadím může vést k vážnému osobnímu zranění.
  - b) **Použijte osobní ochranné pomůcky. Vždy noste ochranu očí.** Ochranné pomůcky jako například proti prachová maska, boty s protiskluzovou podrážkou nebo chrániče sluchu použijte v příslušných podmínkách pomáhají redukovat nebezpečí vážného osobního zranění.
  - c) **Předcházejte neúmyslnému zapnutí. Ujistěte se, že vypínač je ve vypnuté poloze předtím, než zapojíte nářadí do elektrické sítě a nebo k akumulátoru, rovněž při zvedání nebo nošení nářadí.** Nošení nářadí s prstem na vypínači nebo nářadí pod napětím zvyšuje možnost úrazu.
  - d) **Odstraňte jakékoliv nastavovací nebo maticové klíče a šrouby předtím, než zapnete ruční nářadí.** Nastavovací nebo jiný klíč ponechaný na rotující části ručního nářadí může způsobit osobní úraz.
  - e) **Nepřecenjujte se. Udržujte si stabilitu a pevnou zem pod nohama za každých podmínek.** Umožňuje vám to lepší kontrolu nad ručním nářadím v neočekávaných situacích.
  - f) **Pro práci se vhodně oblečte. Nenoste volně oblečení nebo šperky. Udržujte své vlasy, oblečení a rukavice ve vzdálenosti od pohyblivých částí.** Volně oblečení, šperky nebo dlouhé vlasy se mohou do pohyblivých částí zachytit.
  - g) **Pokud jsou zařízení nastavená na spojení se zařízeními na zachytávání a extrakci prachu, ujistěte se, že jsou tato zařízení správně připojena a použita.** Použitím sběrače prachu redukuje rizika vyvolaná prachem.
  - h) **Nedopust'te, abyste díky zkušenostem nabytým častým používáním elektrického nářadí přestali dodržovat základy bezpečného použití.** Neopatrný úkon může způsobit vážný úraz během zlomku sekundy.
- ## 4. POUŽITÍ A ÚDRŽBA RUČNÍHO NÁŘADÍ
- a) **Na ruční nářadí netlačte. Použijte správné ruční nářadí pro danou činnost.** Správné ruční nářadí udělá práci lépe a takovou rychlostí, pro kterou bylo navrženo.

- b) Nepoužívejte ruční nářadí, pokud správně nefunguje vypínač on/off.** *Jakékoliv ruční nářadí, které se nedá ovládat vypínačem, je nebezpečné a musí být opraveno.*
- c) Dříve než začnete dělat jakékoliv úpravy, vyměňovat doplňky nebo ruční nářadí odkládat, odpojte zástrčku od sítě a nebo akumulátoru.** *Taková preventivní bezpečnostní opatření redukuje riziko náhodného zapnutí ručního nářadí.*
- d) Nepoužíváte-li ruční nářadí, skladujte je mimo dosah dětí a nedovoľte osobám, které nemají zkušenosti s prací s ručním nářadím nebo neznají tyto pokyny, s nářadím pracovat.** *Ruční nářadí je nebezpečné v rukách neškolené a nezkušené osoby.*
- e) Údržba ručního nářadí. Zkontrolujte chybné připojení nebo spojení pohyblivých částí, zlomené části nebo jiné okolnosti, které by mohly ovlivnit funkčnost ručního nářadí.** *Je-li nářadí poškozeno, nechte je před novým použitím opravit. Mnoho úrazů vzniká proto, že je elektrické ruční nářadí špatně udržováno.*
- f) Udržujte řezné nástroje ostré a čisté.** *Správně udržované řezné nástroje s ostrými řezacími hranami jsou méně náchylné na zakousnutí a lépe se ovládají.*
- g) Používejte elektrické nářadí v souladu s těmito pokyny, berte v úvahu pracovní podmínky a druh vykonávané práce.** *Je-li elektrické nářadí použito na jiné účely, než je určeno, může docházet k nebezpečným situacím.*
- h) Rukojeti a povrchy držadel udržujte suché, čisté, bez maziv a tuků.** *Kluzké rukojeti a držadla neumožňují bezpečnou manipulaci a obsluhu nářadí v neočekávaných situacích.*

## 5. Servis

- a) Servisní práce na nářadí nechte provést kvalifikovanými pracovníky za použití originálních náhradních dílů.** *Výsledkem bude trvalá bezpečnost při práci s elektrickým nářadím.*

## SYMBOLY



Pro omezení rizika zranění si pečlivě přečtěte návod k obsluze



Výstraha



Používejte ochranu sluchu



Používejte pomůcky pro ochranu očí



Používejte protiprachovou masku



Dvojitá izolace



Vysloužilé elektrické přístroje by neměly být vyhazovány společně s odpadem z domácnosti. Nářadí recyklujte ve sběrnách k tomu účelu zřízených. O možnostech recyklace se informujte na místních úřadech nebo u prodejce

CZ

## SEZNAM SOUČÁSTEK

1. MĚNITELNÁ REGULACE OTÁČEK
2. HLAVNÍ VYPÍNAČ
3. OBLAST RUČNÍHO ÚCHOPU
4. PRACHOVÝ BOX
5. UPÍNAČÍ PÁKA BRUSNÉHO PAPIŘU
6. ARETACE UPÍNAČÍ PÁKY
7. HLINÍKOVÁ ZÁKLADNÍ DESKA
8. DĚROVAČ PAPIŘU
9. BRUSNÝ PAPIŘ
10. ADAPTÉR ODSÁVÁNÍ
11. VÝSTUP ODSÁVÁNÍ PRACHU (VIZ OBR. C)

## TECHNICKÉ ÚDAJE

Typ DX45 (45-označení stroje, zástupce dokončovací brusky)

Jmenovité napětí	220-240V~50/60Hz
Jmenovitý výkon	240W
Otáčky bez zatížení	6000-11000/min

Třída ochrany	□ //II
Velikost základny	90*187mm
Průměr okružní dráhy	1.6mm
Hmotnost stroje	1.63kg

## INFORMACE O HLUKU

Vážený akustický tlak	$L_{pA} = 78 \text{ dB(A)}$
Vážený akustický výkon	$L_{wA} = 89 \text{ dB(A)}$
$K_{pA}$ & $K_{wA}$	3.0 dB(A)
<b>Mějte na sobě ochranu sluchu.</b>	

## INFORMACE O VIBRACÍCH

Celkové hodnoty vibrací (trojosé nebo vektorové součtové měření) stanovené v souladu s EN62841:	
Hodnota vibračních emisí	$a_h = 6,0 \text{ m/s}^2$
	Kolísání $K = 1.5 \text{ m/s}^2$

Deklarovaná celková hodnota vibrací a deklarovaná úroveň vytvářeného hluku byly měřeny v souladu se standardními zkušebními postupy a lze je použít při srovnání jednotlivých nářadí mezi sebou.

Deklarovaná celková hodnota vibrací a deklarovaná úroveň vytvářeného hluku mohou být také použity k předběžnému stanovení doby práce s nářadím.

**VAROVÁNÍ:** Vibrace a hlučnost při aktuálním použití elektrického nářadí se od deklarovaných hodnot mohou lišit v závislosti na způsobu, jakým je nářadí použito, zejména pak na typu zpracovávaného obrobku podle následujících příkladů a na dalších způsobech, jakými je nářadí používáno:

Jak je nářadí používáno a jaké materiály budou řezány nebo vrtány.

Nářadí musí být v dobrém stavu a musí být prováděna jeho řádná údržba.

S nářadím musí být používáno správné příslušenství, a toto příslušenství musí být ostré a v dobrém stavu.

Pevnost uchopení rukojetí a zda je použito jakékoli příslušenství snižující úroveň vibrací a hluku.

Toto nářadí může být použito pouze pro určené účely a podle těchto pokynů.

**Není-li toto nářadí používáno odpovídajícím způsobem, může způsobit syndrom nemoci způsobené působením vibrací na ruce a paže obsluhy.**

**VAROVÁNÍ:** Chcete-li být přesní, odhad doby působení vibrací v aktuálních podmínkách při použití tohoto nářadí by měl brát v úvahu také všechny části pracovního cyklu, jako jsou doby, kdy je nářadí vypnuto a kdy je v chodu ve volnoběžných otáčkách, ale ve skutečnosti neprovádí žádnou práci. Doba působení vibrací tak může být během celkové pracovní doby značně zkrácena.

Pomáhá minimalizovat riziko působení vibrací a hluku.

VŽDY používejte ostré sekáče, vrtáky a nože.

Provádějte údržbu tohoto nářadí podle těchto pokynů a zajistěte jeho řádné mazání (je-li to vhodné).

Pokud bude nářadí používáno pravidelně, pak investujte do příslušenství snižujícího úroveň vibrací a hluku.

Vypracujte si svůj plán práce, abyste působení vysokých vibrací tohoto nářadí rozdělili do několika dnů.

## PŘÍSLUŠENSTVÍ

Děrovač papíru	1
Adaptéry pro odsávání prachu	1
80 grit Svorka brusný papír	1
Zásobník na prach	1

Doporučujeme zakoupit příslušenství u stejného prodejce, u kterého jste koupili nářadí. Pro další detaily prostudujte obal příslušenství. Personál obchodu vám může pomoci a poradit.

# PROVOZNÍ POKYNY



**POZNÁMKA:** Před použitím nářadí si pečlivě přečtěte návod k obsluze.

## ÚČEL POUŽITÍ

Stroj je určen k broušení dřeva, plastů, plniv a lakovaných povrchů.

## MONTÁŽ

### 1. NASAZENÍ BRUSNÉHO PAPIŘU (VIZ OBR. A, B)

- Brusný papír bez suchého zipu  
Zvedněte upínací páku brusného papíru a posuňte ji směrem od aretace upínací páky. Tento krok zopakujte pro upínací páku na opačné straně.

Vložte cca. 5 mm jednoho konce brusného papíru pod upínací páku brusného papíru. Znovu zvedněte upínací páku a posuňte do polohy aretace upínací páky, abyste papír přichytili. Stlačte brusný papír tak, aby co nejtěsněji opisoval tvar základní desky a upevněte druhý konec brusného papíru.

Zkontrolujte brusný papír a vždy se ujistěte, že je těsně upnut na základní desku a zajištěn na obou koncích.

- Brusný papír se suchým zipem

Ručně srovnajte a přímo zatlačte brusný papír na základní desku. Brusku s brusným papírem pevně přitlačte na rovný povrch, abyste zajistili, že je papír zajištěn. Otvory na brusném papíru a základní desce by měly být dobře vyrovnaný.

### 2. MONTÁŽ A DEMONTÁŽ PRACHOVÉHO BOXU (VIZ OBR. C)

Vaše bruska je vybavena prachovým boxem. Chcete-li jej nasadit, zasuňte prachový box do zadního otvoru pro odsávání prachu, dokud nebude zajištěna. Chcete-li ji odstranit, stiskněte uvolňovací páčku (a) na obou stranách prachového boxu a vysuňte prachový box ven.



**VAROVÁNÍ:** Abyste zabránili vniknutí písku nebo cizích těles do obličeje nebo očí, nikdy se nepokoušejte používat brusku bez nádně nainstalovaného prachového boxu.

### 3. VYPRAZDŇENÍ PRACHOVÝ BOX (VIZ OBR. D)

Pro efektivnější provoz vyprazdňujte prachový box každých 5-10 minut. To umožní lepšímu proudění vzduchu boxem.

Chcete-li vyprázdnit prachový box, nejprve jej vyjměte z výstupu pro odsávání prachu, stisknutím tlačítka na zadní straně skříně otevřete zadní část boxu, poté můžete prach vyfěpat ven.

### 4. PŘIPOJENÍ BRUSKY K ODSÁVÁNÍ (VIZ OBR. E)

Vaše bruska je vybavena adaptérem odsávání, který je určen pro sběr prachu. Zasuňte adaptér odsávání do zadního výstupu odsávání prachu a zajištěte jeho bezpečné utažení. Poté připojte adaptér k hadici vysavače. Během používání nejprve zapněte vysavač a poté zapněte brusku. Pokud přestanete brousit, nejdříve vypněte brusku a poté vypněte vysavač.

**POZNÁMKA:** Adaptér vždy připojte pomocí 35mm hadice vysavače.

## PROVOZ

### 1. PROVOZ HLAVNÍHO VYPÍNAČE (VIZ OBR. F)

Posuňte vypínač směrem dopředu pro spuštění, dozadu pro zastavení.

### 2. OVLADAČ S VARIABILNÍ RYCHLOSTÍ (VIZ OBR. G)

Regulací otáček lze volit požadované otáčky (i za chodu). Požadované otáčky závisí na materiálu a bude stanovena praktickou zkouškou.

### 3. DĚROVAČ PAPIŘU (VIZ OBR. H)

Pokud používáte brusný papír bez otvorů na prach, použijte nejprve děrovač papíru, abyste vytvořili otvory a zajistili tak odvod prachu. Umístěte děrovač na základní desku tak, aby byly strany děrovače zarovnaný s hranami základní desky. Zatlačte děrovač do základní desky, čímž vytvoříte otvory v brusném papíru. Poté děrovač odejměte a zkontrolujte, že byly všechny otvory vyraženy správně.

### 4. POUŽÍVÁNÍ BRUSKY

Obrobek, který má být broušen, musí být zajištěn. Pokud je malý nebo se může během broušení pohybovat, musí být držen ve svéráku nebo vhodně upnut.

Ujistěte se, že brusku pevně držíte, když je zapnutá, a jemně ji přiložte k obrobku, při prvním kontaktu může „kopnout“. Držte brusku tak, aby byla na obrobku zarovnaná, a pohybujte s ní pomalu, nejlépe plynulým kruhovým pohybem. Pravidelně kontrolujte stav brusného papíru a po opotěbení jej vyměňte, abyste dosáhli nejlepších výsledků.

## DOBŘÍ RADY PRO PRÁCI S VIBRAČNÍ BRUSKOU

1. Zahřeje-li se Vaše nářadí příliš, nastavte maximální otáčky a nechte motor běžet naprázdno 2-3 minuty. Nepracujte delší dobu při nízkých otáčkách motoru. Vždy používejte druh papíru vhodný pro opracovávání materiálů
2. Opracovávaný kus pevně uchyťte, aby se během práce nepohnul.
3. Pohyb materiálu během broušení snižuje kvalitu výsledného povrchu.
4. Nejlepších výsledků dosáhnete broušením dřeva po vlákněch.
5. Brusku nespouštějte, není-li uchycen brusný papír.
6. Nepoužívejte brusku s opotřebovaným brusným plátnem, hrozí poškození základní desky. Záruka se nevztahuje na opotřebování základní desky.
7. Na drsné povrchy použijte papír s hrubým zrnem, střední zrnem se hodí pro hladké povrchy a jemné zrnem pro dokončovací práce. Pro jistotu proveďte zkušební broušení na kusu odpadního materiálu.
8. Používejte jen brusný papír dobré kvality.
9. Účinnost broušení závisí na volbě brusného papíru, není závislá na velikosti přitlačné síly. Příliš silný přítlak snižuje účinnost broušení a přetěžuje motor. Optimální účinnost broušení dosáhnete, budete-li brusný papír pravidelně měnit.

## ÚDRŽBA

### Před provedením jakékoliv úpravy nebo údržby odpojte nářadí od sítě.

Elektrické ruční nářadí nevyžaduje žádnou nestandardní údržbu.

Na elektrickém ručním nářadí nejsou žádné části, které potřebují servisní zásah uživatele. Nikdy nepoužívejte vodu nebo chemické čističe na čištění ručního elektrického nářadí. Utírejte jej dočista suchým hadrem. Vždy jej skladujte na suchém místě. Udržujte ventilační otvory motoru čisté. Udržujte všechny pracovní ovladače čisté bez prachu. Občas můžete přes ventilační otvory vidět jiskry. Je to běžný jev, který na bezproblémový chod kladiva nemá vliv.

Pokud je napájecí kabel poškozený, musí být vyměněn výrobcem, servisním technikem, nebo stejně kvalifikovanou osobou, aby se zabránilo riziku úrazu el. proudem.

## ODSTRAŇOVÁNÍ ZÁVAD

1. Pokud vaše bruska nefunguje, zkontrolujte, zda je připojena k elektrické síti.
2. Pokud bruska neobrušuje povrch, zkontrolujte brusný papír. Pokud je brusný povrch opotřebený, vyměňte brusný papír za nový a zkuste to znovu. Papír musí být udržován na suchém místě, pokud dojde k jeho navlhnutí, abrazivní částičky nebudou držet na podkladovém papíru a nebudou brousit.
3. Pokud se bruska nepohybuje hladce, může být brusný papír uvolněný, poškozený nebo pomačkaný. Vyměňte jej a zkuste to znovu.
4. Pokud závadu nelze opravit, vraťte brusku autorizovanému prodejci kvůli zajištění servisu.

## OCHRANA ŽIVOTNÍHO PROSTŘEDÍ



Vysloužilé elektrické přístroje by neměli být vyhazovány společně s odpadem z domácnosti. Nářadí recyklujte ve sběrnách zřízených k tomuto účelu. O možnostech recyklace se informujte na místních úřadech nebo u prodejce.

## PROHLÁŠENÍ O SHODĚ

My,  
POSITEC Germany GmbH  
Postfach 32 02 16, 50796 Cologne, Germany

Prohlašujeme, že produkt  
Popis: **1/3 Bruska na listy**  
Typ: **DX45 (45-označení strojů, zástupce Vibrační bruska)**  
Funkce: **Odstranění povrchu materiálů použitím abrazivní médium**

Splňuje následující směrnice:  
**2006/42/EC, 2014/30/EU, 2011/65/EU & (EU)2015/863**

Splňované normy  
**EN 55014-1, EN 55014-2, EN 62841-1, EN 62841-2-4, EN IEC 61000-3-2, EN 61000-3-3**

Osoba oprávněná uspořádat technický soubor,  
**Název Marcel Filz**  
**Adresa POSITEC Germany GmbH**  
**Postfach 32 02 16, 50796 Cologne, Germany**



2023/04/16  
Allen Ding  
Zástupce vrchní konstrukční kanceláře,  
Testování & Certifikace  
Positec Technology (China) Co., Ltd.  
18, Dongwang Road, Suzhou Industrial  
Park, Jiangu 215123, P. R. China

# PŮVODNÝ NÁVOD NA POUŽITIE BEZPEČNOSŤ VÝROBKU VŠEOBECNÉ BEZPEČNOSTNÉ VAROVANIA NA POUŽÍVANIE ELEKTRICKÉHO NÁRADIA



**VAROVANIE** Prečítajte si všetky bezpečnostné varovania, pokyny, zoznámete sa s ilustráciami a technickými údajmi dodanými s týmto elektrickým náradím. Nedodržanie akýchkoľvek nižšie uvedených pokynov môže mať za následok úraz elektrickým prúdom, vznik požiaru alebo vážneho úrazu.

**Odložte si všetky varovania a inštrukcie pre budúcu potrebu.**

Výraz „elektrické ručné náradie“ vás vo varovaniach odkazuje buď na náradie na elektrický pohon (napájané z elektrickej siete) alebo na akumulátorové náradie (napájané z akumulátora).

## 1. BEZPEČNOSŤ NA PRACOVISKU

- a) **Udržujte pracovisko čisté a dobre osvetlené.** Pracovisko plné nepotrebných predmetov alebo slabo osvetlené zvyšuje možnosť úrazu.
- b) **Nepoužívajte elektrické ručné náradie v prostredí náchylnom na explóziu, ako napríklad v prítomnosti horľavých tekutín, plynov alebo prachu.** Elektrické ručné náradie vytvára iskry, ktoré môžu vznietiť prach alebo výpary.
- c) **Udržujte deti a prizerajúcich sa v dostatočnej vzdialenosti pri práci s elektrickým ručným náradím.** Strata pozornosti môže viesť k strate kontroly nad náradím.

## 2. BEZPEČNOSŤ PRI PRÁCI S ELEKTRINOU

- a) **Prípojky elektrického ručného náradia musia byť zhodné so zástrčkami.** Nemoifikujte prípojku žiadnym spôsobom. Nepoužívajte spolu s uzemneným ručným náradím žiadne adaptérové prípojky, ktoré neumožňujú ochranu uzemnením. Pôvodné prípojky a k nim prislúchajúce zástrčky znižujú riziko úrazu elektrickým prúdom.
- b) **Vyhýbajte sa kontaktu s uzemnenými povrchmi, ako napríklad rúrkami, radiátormi, sporákmi a chladničkami.** Keď je vaše telo spojené s uzemneným predmetom alebo stojí na uzemnenom území, je zvýšené riziko elektrického šoku.
- c) **Nevystavujte ručné náradie dažďu alebo vlhkým podmienkam.** Keď sa voda dostane pod povrch elektrického ručného náradia, je zvýšené riziko elektrického šoku.
- d) **Nezaobchádzajte s káblom prípojky necitlivo.** Nikdy si nepríťahuje elektrické ručné náradie k sebe pomocou kábla, neťahajte ho za sebou pomocou kábla a

nevytrhávajte kábel zo zástrčky aby ste ručné náradie vypili. Nevystavujte kábel vysokým teplotám, oleju, ostrým hranám alebo pohyblivým časťami. Poškodené alebo zamotané káble môžu viesť k zvýšenému riziku elektrického šoku.

- e) **Pri práci s ručným náradím v exteriéri použite predlžovací kábel vhodný na použitie v exteriéri.** Použitím kábla vhodného na použitie v exteriéri redukuje riziko vzniku elektrického šoku.
- f) **Pokiaľ je práca s ručným náradím vo vlhkých podmienkach nevyhnutná, použite napájanie chránené ističom typu prúdový chránič (RCD).** Použitie RCD ističa redukuje riziko vzniku elektrického šoku.

## 3. OSOBNÁ BEZPEČNOSŤ

- a) **Buďte sústredení, sledujte, čo robíte, a pri práci s ručným náradím sa riadte zdravým rozumom.** Nepoužívajte ručné náradie, keď ste unavení alebo pod vplyvom omamných látok, alkoholu alebo liekov. Moment nepozornosti pri práci s ručným náradím môže viesť k vážnemu osobnému zraneniu.
- b) **Použite osobné ochranné pomôcky. Vždy noste ochranu očí.** Ochranné pomôcky, ako napríklad protiprachová maska, topánky s protišmykovou podrážkou alebo chrániče sluchu použité v príslušných podmienkach pomáhajú redukovať vážne osobné zranenia.
- c) **Predíd'te neúmyselnému zapnutiu.** Uistite sa, že prepínač je vo vypnutej pozícii, pred tým, než zapojíte náradie do elektriny a/alebo k akumulátoru, pri zdvihnutí alebo nosení náradia. Nosenie náradia s prstom na prepínači alebo aktívneho náradia, ktoré je zapnuté, zvyšuje možnosť úrazu.
- d) **Odstráňte akékoľvek nastavovacie kľúče alebo kľúče na matice a skrutky pred tým, než zapnete ručné náradie.** Nastavovací alebo iný kľúč ponechaný pripavený na rotujúcej časti ručného náradia môže spôsobiť osobný úraz.
- e) **Nepreceňujte sa. Udržujte si stabilitu a pevnú zem pod nohami za každých podmienok.** Umožňuje vám to lepšiu kontrolu nad ručným náradím v neočakávaných situáciách.
- f) **Oblečte sa náležite. Nenoste voľné oblečenie alebo šperky.** Udržujte svoje vlasy, oblečenie a rukavice vzdialené od pohyblivých častí. Voľné oblečenie, šperky alebo dlhé vlasy sa môžu do pohyblivých častí zachytiť.
- g) **Pokiaľ sú zariadenia nastavené na spojenie so zariadeniami na zachytávanie a extrakciu prachu, uistite sa, že sú náležite využitie a pripojené.** Použitím zberača prachu redukuje riziká spojené s prachom.
- h) **Nedovoľte, aby ste vďaka skúsenostiam získaným častým používaním elektrického náradia prestali dodržiavať základy bezpečného použitia.** Neopatrný úkon môže spôsobiť vážny úraz v priebehu zlomku sekundy.

## 4. POUŽITIE A ÚDRŽBA RUČNÉHO NÁRADIA

- a) **Nepret'ahujte ručné náradie.** Použite správne ručné náradie na danú činnosť. Správne ručné náradie spraví prácu lepšie a v

mediach, na ktoré bolo navrhnuté.

- b) **Nepoužívajte ručné náradie, pokiaľ sa prepínač neprepína medzi zapnutím a vypnutím.** Akékoľvek ručné náradie, ktoré nie je kontrolovateľné prepínačom, je nebezpečné a musí byť opravené.
- c) **Pred akýmkoľvek nastavením, výmenou násad alebo uskladnením elektrického náradia vyťahnite sieťovú zástrčku zo zásuvky alebo, ak to bude možné, vyťahnite akumulátor.** Takéto preventívne bezpečnostné opatrenia redukujú riziko náhodného zapnutia ručného náradia.
- d) **Keď ručné náradie nepoužívate, skladujte ho mimo dosahu detí a nedovoľte osobám, ktoré nemajú skúsenosti s prácou s ručným náradím alebo neboli oboznámené s týmito inštrukciami, dotýkať sa náradia.** Ručné náradie je nebezpečné v rukách netrénovanej osoby.
- e) **Udržba ručného náradia. Skontrolujte chybné pripojenia alebo spojenia pohyblivých častí, zlomené časti alebo iné okolnosti, ktoré by mohli ovplyvniť funkčnosť ručného náradia. Pri poškodení musí byť pred použitím najprv elektrické ručné náradie opravené.** Mnoho úrazov vzniká preto, že je elektrické ručné náradie zle udržiavané.
- f) **Udržujte rezacie nástroje ostré a čisté.** Náležite udržiavané rezacie nástroje s ostrými rezacími hranami sú menej náchylné na „zaseknutie“ a sú ľahšie ovládateľné.
- g) **Používajte elektrické náradie v súlade s týmito pokynmi, berte pritom do úvahy pracovné podmienky a druh vykonávanej práce.** Ak sa elektrické náradie použije na iné účely, než na čo je určené, môže dochádzať k nebezpečným situáciám.
- h) **Rukoväte a povrchy držiadiel udržiavajte suché, čisté, bez mazív a tukov.** Šmyklavé

rukoväte a držadlá neumožňujú bezpečnú manipuláciu a obsluhu náradia v neočakávaných situáciách.

## 5. Servis

- a) **Servisné práce na náradí nechajte vykonať kvalifikovaných pracovníkov s použitím originálnych náhradných dielov.** Výsledkom bude trvalá bezpečnosť pri práci s elektrickým náradím.

## SYMBOLY



Kvôli zníženiu rizika poranenia je potrebné, aby si používateľ najprv prečítal návod



Výstraha



Používajte ochranu sluchu



Používajte ochranu očí



Používajte protiprachovú masku



Dvojitá izolácia



Elektrické výrobky sa nesmú likvidovať spolu s domácim odpadom. Recyklujte v zberných miestach na tento účel zriadených. O možnosti recyklácie sa informujte na miestnych úradoch alebo u predajcu.

## ZOZNAM SÚČASTÍ

1. OVLÁDAČ VARIABILNÝCH OTÁČOK
2. TLAČIDLO ZAPNÚŤ/VYPNÚŤ
3. OBLASŤ UCHOPENIA RUKOVÄTE
4. ZASOBNÍK NA PRACH
5. PÁČKA NA UFNUTIE BRÚSNEHO PAPIERA
6. ZÁMOK UPÍNACEJ PÁČKY
7. HLINÍKOVÁ ZÁKLADNÁ DOSKA
8. DIEROVAČKA NA PAPIER
9. BRÚSNY PAPIER
10. ADAPTÉR NA PRIPOJENIE HADICE VYSÁVAČA
11. VÝSTUP NA ODSÁVANIE PRACHU (POZRITE SI OBR. C)



# TECHNICKÉ ÚDAJE

Označenie typu DX45 (45 - označenie zariadenia predstavuje dokončovaciu brúsku)

Menovité napätie	220-240V~50/60Hz
Menovitý výkon	240W
Otáčky naprázdno	6000-11000/min
Trieda ochrany	□ /II
Veľkosť základnej dosky	90*187mm
Priemer obvodu	1.6mm
Hmotnosť zariadenia	1.63kg

## INFORMÁCIE O HLUKU

Vrednoten zvočni tlak	$L_{pA} = 78$ dB(A)
Vrednotena jakost hrupa	$L_{wA} = 89$ dB(A)
$K_{pA}$ & $K_{wA}$	3.0 dB(A)
<b>UNosite zaščitó za ušesa.</b>	

## INFORMÁCIE O VIBRÁCIÁCH

Výsledné celkové hodnoty pre vibrácie (suma pre trojosový vektor) stanovené podľa normy EN 62841:	
Hodnota emisie vibrácií	$a_h = 6,0$ m/s <sup>2</sup>
	Nepresnosť K = 1.5 m/s <sup>2</sup>

Deklarovaná celková hodnota vibrácií a deklarovaná úroveň vytváraného hluku boli merané v súlade so štandardnými skúšobnými postupmi a môžete ich použiť na vzájomné porovnanie jednotlivých náradí. Deklarovaná celková hodnota vibrácií a deklarovaná úroveň vytváraného hluku môžu byť tiež použité na predbežné stanovenie doby práce s náradím.

**VAROVANIE:** Vibrácie a hlučnosť pri aktuálnom použití elektrického náradia sa od deklarovanych môžu líšiť v závislosti od spôsobu, akým je náradie používané, a hlavne od typu spracovávaného obrobku podľa nasledujúcich príkladov a ďalších spôsobov, akými je náradie používané:

Ako sa náradie používa a aké materiály sa budú rezať alebo vŕtať.

Náradie musí byť v dobrom stave a musí byť vykonávaná jeho riadna údržba.

S náradím sa musí používať správne príslušenstvo, a toto príslušenstvo musí byť ostré a v dobrom stave.

Pevnosť uchopenia rúkaví a či je použité akékoľvek príslušenstvo znižujúce úroveň vibrácií a hluku.

Toto náradie môže byť použité iba na určené účely a podľa týchto pokynov.

**Ak sa toto náradie nepoužíva zodpovedajúcim spôsobom, môže spôsobiť syndróm choroby spôsobenej pôsobením vibrácií na ruky a paže obsluhy.**

**VAROVANIE:** Ak chcete byť presní, odhad času pôsobenia vibrácií v aktuálnych podmienkach pri použití tohto náradia by mal brať do úvahy taktiež všetky časti pracovného cyklu, ako sú časy, kedy je náradie vypnuté a kedy je v chode vo voľnobežných otáčkach, ale v skutočnosti nevykonáva žiadnu prácu. Čas pôsobenia vibrácií tak môže byť v rámci celkového pracovného času značne skrátený.

Pomáha minimalizovať riziko pôsobenia vibrácií a hluku.

VŽDY používajte ostré sekáče, vŕtáky a nože.

Vykonávajte údržbu tohto náradia podľa týchto pokynov a zaistíte jeho riadne mazanie (ak je to vhodné).

Ak bude náradie používané pravidelne, potom investujte do príslušenstva znižujúceho úroveň vibrácií a hluku.

Vypracujte si svoj plán práce, aby ste pôsobenie vysokých vibrácií tohto náradia rozdelili do niekoľkých dní.

## PRÍSLUŠENSTVO

Dierovač papiera	1
Násadec na odsávanie prachu	1
Príchytka na upevnenie brúsneho papiera so zrnitosťou č. 80	1
Zásobník prachu	1

Odporúčame príslušenstvo kúpiť v rovnakom obchode ako samotné náradie. Podrobnejšie informácie sú pribalené k jednotlivému príslušenstvu. Odborní predavači vám pomôžu a poradia.

# NÁVOD NA OBSLUHU



**POZNÁMKA:** Pred používaním nástroja si pozorne prečítajte návod na obsluhu.

## ZAMÝŠĽANÉ POUŽITIE

Toto zariadenie je určené na suché brúsenie dreva, plastu, výplne a potiahnutých povrchov.

## MONTÁŽ

### 1. PRIPNUTIE BRÚSNEHO PAPIERA (POZRITE SI OBR. A, B)

- Brúsny papier bez suchého zipsu. Páčku na upnutie brúsneho papiera nadvihnite a posuňte ďalej od zámku upínacej páčky. Tento krok zopakujte aj s druhou upínacou páčkou na opačnej strane.

Pod páčku na upnutie brúsneho papiera zasuňte jeden koniec brúsneho papiera v dĺžka približne 5 mm. Páčku na upnutie brúsneho papiera znova nadvihnite a papier zaistíte posunutím tejto páčky späť do uzamknutej polohy upínacej páčky. Brúsny papier zatlačte okolo tvaru základnej dosky čo najtesnejšie a upevnite druhý koniec brúsneho papiera.

Skontrolujte brúsny papier a vždy sa uistite, či je tesne založený na základnej doske a zaistený pod obidvoma upínacími páčkami.

- Brúsny papier bez suchého zipsu  
Brúsny papier zarovnajete a rukou ho priamo zatlačte na základnú dosku. Brúsku s upevneným brúsnym papierom pevne priláčajte na rovny povrch, aby sa papier riadne zaistil. Otvory v brúsnom papieri a základnej doske musia byť správne zarovnané.

### 2. NAMONTOVANIE A ODSTRÁNENIE ZÁSObNÍKA NA PRACH (POZRITE SI OBR. C)

Brúška je vybavená zásobníkom na prach. Ak ho chcete odpojiť, vložte ho do zadného otvoru na odsávanie prachu, až kým nebude zaistený. Vyberte ho tak, že stlačíte uvoľňovaciu páčku (a) na oboch stranách zásobníka na prach a vysuňte ho von.



**UPOZORNENIE:** Aby sa predišlo možnému vystrefovaniu brúsneho prachu alebo cudzích telies do vašej tváre alebo očí, brúsku sa nikdy nepokúšajte používať bez správne založeného zásobníka na prach.

### 3. VYPRÁZDNIENIE ZÁSObNÍKA NA PRACH (POZRITE SI OBR. D)

Na zabezpečenie účinnejšej prevádzky vyprázdňujte zásobník na prach každých 5 - 10 minút. To umožní lepšie prúdenie vzduchu cez zásobník.

Ak chcete vyprázdniť zásobník na prach, najskôr ho vyberte z otvoru na odsávanie prachu, zásobník otvorte stlačením tlačidla na jeho zadnej strane a potom prach vytraste von.

### 4. PRIPOJENIE BRÚSKY K VYSÁVAČU (POZRITE SI OBR. E)

Brúška je vybavená adaptérom na pripojenie hadice vysávača, ktorý je určený na zber prachu. Adaptér na pripojenie hadice vysávača vložte do zadného otvoru na odsávanie prachu a pevne ho utiahnite. Potom k adaptéru pripojte hadicu vysávača.

Pri používaní brúsky najskôr zapnite vysávač a potom brúsku. Ak prestanete brúsiť, najskôr vypnite brúsku a potom vypnite vysávač.

**POZNÁMKA:** Do adaptéra vždy zapojte hadicu vysávača s priemerom 35 mm.

## PREVÁDZKA

### 1. POUŽÍVANIE TLAČIDLA ZAPNÚŤ/VYPNÚŤ (POZRITE SI OBR. F)

Ak chcete nástroj zapnúť, tlačidlo Vypnúť/zapnúť posuňte dopredu, a ak ho chcete zastaviť, posuňte ho dozadu.

### 2. OVLÁDAČ VARIABILNÝCH OTÁČOK (POZRITE SI OBR. G)

Ovládač variabilných otáčok umožňuje vybrať požadované otáčky (tiež počas chodu). Požadované otáčky závisia od materiálu a musia sa určiť praktickou skúškou.

### 3. DIEROVAČKA NA PAPIER (POZRITE SI OBR. H)

Ak používate brúsny papier bez suchého zipsu, najskôr urobte do neho diery pomocou dierovačky na zaistenie správneho odsávania prachu. Dierovačku položte na základnú dosku tak, aby boli jej strany zarovnané s okrajmi základnej dosky. Dierovačku zatlačte do základnej dosky a urobte otvory do brúsneho papiera. Potom dierovačku odstráňte a skontrolujte, či boli správne vytvorené všetky otvory.

### 4. POUŽÍVANIE BRÚSKY

Brúsený obrobok musí byť upnutý. Ak je malý alebo ak sa pri brúsení môže pohybovať, musí byť upevnený vo zveráku alebo vhodným spôsobom upnutý. Keď je brúška zapnutá, držte ju pevne a mierne ju priláčajte na obrobok, pretože pri prvom kontakte môže „kopnúť“. Brúsku držte tak, aby bola rovno na povrchu obrobku a pomaly ňou pohybujte, pokiaľ možno plynulým krúživým pohybom. Pravidelne kontrolujte stav brúsneho papiera a, keď je opotrebovaný, vymeňte ho na dosiahnutie najlepších výsledkov.

## DOBRE RADY PRE PRÁCU S VIBRAČNOU BRÚSKOU

1. Ak sa vaše náradie príliš zahreje, hlavne vtedy, ak sa používalo pri nízkych otáčkach, nastavte maximálne otáčky a spustite ho bez záťaž za 2-3 minúty, čím sa ochladí motor. Nepoužívajte náradie dlhší čas pri nízkych otáčkach. Vždy zvoľte brúsny papier, ktorý je vhodný na brúsený materiál.
2. Opracovávaný kus pevne uchytte, aby sa počas práce nepohol.
3. Pohyby brúseného materiálu majú negatívny vplyv na dosiahnuteľnú kvalitu povrchu.
4. Brúsku zapnite skôr, ako začnete brúsiť, a vypnite ju, keď ste brúsenie ukončili. Na dreve dosiahnete najlepšie výsledky brúsením v smere vlákna.
5. Nepúšťajte sa do brúsenia, ak nie je nasadený brúsny papier.
6. Papier počas brúsenia nesmie úplne stratiť zrna, inak sa poškodí základná doska brúsky. Záruka sa nevzťahuje na opotrebenie základnej dosky.
7. Na hrubé povrchy použite brúsny papier s hrubším zrnom, na hladké povrchy nasadte strednú veľkosť zrna a záverečné dobrúsenie povrchu robte s jemným zrnom. Ak je to potrebné, brúsny papier odskúšajte na kuse odpadu.
8. Používajte iba kvalitný brúsny papier.
9. Rýchlosť odoberania materiálu sa ovláda veľkosťou

brúsneho zrna a nie veľkosťou prítlaku na náradie. Nadmerný prítlak znižuje účinnosť brúsenia a preťažuje motor. Optimálnu účinnosť brúsenia dosiahnete pravidelnou výmenou brúsneho papiera.

## ÚDRŽBA

**Pred vykonaním akéhokoľvek nastavovania, opráv a údržby odpojte náradie od siete.**

Vaše náradie nevyžaduje žiadne dodatočné mazanie ani údržbu.


Vaše náradie nevyžaduje žiadny servisný zásah. Svoje náradie nikdy nečistite vodu alebo chemickými čistiacimi prostriedkami. Vytrite ho suchou handrou. Náradie ukladajte na suchom mieste. Vetracie otvory motora udržiavajte čisté. Ovládacie prvky zbavujte prachu. Cez vetracie štrbiny občas možno vidieť iskrenie komutátora. Je to normálny stav a nepoškodzuje to vaše náradie.

Ak dôjde k poškodeniu napájacej šnúry, nechajte ju bezpečne vymeniť u výrobcu, v servise alebo inou príslušne kvalifikovanou osobou.

## RIEŠENIE PROBLÉMOV

1. Ak brúska nefunguje, v elektrickej zásuvke skontrolujte napätie.
2. Ak brúska nebrúsi povrch, skontrolujte brúsny papier. Ak je brúsny papier opotrebovaný, vymeňte ho za nový a skúste znova. Papier musí byť uložený na suchom mieste. Ak zvlhol, brúsne častice stratia príľnavosť k podkladovému papieru a nebudú brúsiť.
3. Ak sa brúska nepohybuje plynule, brúsny papier môže byť uvoľnený, poškodený alebo pokrčený. Vymeňte ho a skúste znova.
4. Ak sa porucha nedá odstrániť, brúsku odovzdajte na opravu autorizovanému predajcovi.

## OCHRANA ŽIVOTNÉHO PROSTREDIA

 Elektrické výrobky sa nesmú likvidovať spolu s domácim odpadom. Recyklujte v zberných miestach na tento účel zriadených. O možnosti recyklácie sa informujte na miestnych úradoch alebo u predajcu.

## VYHLÁSENIE O ZHODE

My,  
POSITEC Germany GmbH  
Postfach 32 02 16, 50796 Cologne, Germany

Vyhlasujeme, že tento výrobok  
Popis: **1/3 Brúska listov**  
Type: **DX45 (45-označenie zariadenia, zástupca Elektrických leštiacich brúsok)**  
Funkcie: **Odstránenie povrchového materiálu pomocou brúsneho prostriedku**

Zodpovedá nasledujúcim smerniciam,  
**2006/42/EC, 2014/30/EU, 2011/65/EU&(EU)2015/863**

spĺňa posudzov ané normy:  
**EN 55014-1, EN 55014-2, EN 62841-1, EN 62841-2-4, EN IEC 61000-3-2, EN 61000-3-3**


Osoba oprávnená za zostavenie technického súboru:  
**Názov Marcel Filz**  
**Adresa POSITEC Germany GmbH**  
**Postfach 32 02 16, 50796 Cologne, Germany**



SK

2023/04/16  
Allen Ding  
Zástupca vrchnej konštruktívnej kancelárie,  
Testovanie & Certifikácia  
Positec Technology (China) Co., Ltd.  
18, Dongwang Road, Suzhou Industrial  
Park, Jiangsu 215123, P. R. China

# IZVIRNA NAVODILA VARNOST IZDELKA SPLOŠNA VARNOSTNA NAVODILA ZA ELEKTRIČNA ORODJA

 **OPOZORILO!** Pred uporabo orodja, pazno preberite vsa varnostna opozorila, navodila, preglejte ilustracije ter preverite tehnične podatke orodja. Neupoštevanje opozoril in navodil lahko privede do električnega udara in/ali resnih poškodb.

**Vsa opozorila in napolita shranite, ker jih boste v prihodnje še potrebovali.**

Pojem „električno orodje“, ki se pojavlja v nadaljnjem besedilu, se nanaša na električna orodja z električnim pogonom (z električnim kablom) in na akumulatorska električna orodja (brez električnega kabla).

## 1. VARNOST NA DELOVNEM MESTU

- a) Delovno področje naj bo vedno čisto in dobro osvetljeno. Nered in neosvetljena delovna področja lahko povzročijo nezgode.
- b) **Ne uporabljajte električnega orodja v okolju, kjer lahko pride do eksploziv oziroma tam, kjer se nahajajo vnetljive tekočine, plini ali prah.** Električna orodja povzročajo iskrenje, zaradi katerega se lahko prah ali para vnameta.
- c) **Prosimo, da med uporabo električnega orodja ne dovolite otrokom ali drugim osebam, da bi se Vam približali.** Odvrčanje Vaše pozornosti drugim lahko povzroči izgubo kontrole nad napravo.

## 2. ELEKTRIČNA VARNOST

- a) Priključni vtikač električnega orodja se mora prilegati vtičnici. Spreminjanje vtičnika na kakršenkoli način ni dovoljeno. Pri ozemljenih električnih orodjih ne uporabljajte vtičačev z adapterji. Nespremenjeni vtičači in ustrezne vtičnice zmanjšujejo tveganje električnega udara.
- b) **Izogibajte se telesnemu stiku z ozemljenimi površinami kot so na primer cevi, grelci, štedilniki in hladilniki.** Tveganje električnega udara je večje, če je Vaše telo ozemljeno.
- c) **Prosimo, da napravo zavarujete pred dežjem ali vlago.** Vdor vode v električno orodje povečuje tveganje električnega udara.
- d) **Ne uporabljajte kabla za nošenje ali obešanje električnega orodja in ne vlecite za kabel, če želite vtičač izvleči iz vtičnice.** Kabel zavarujte pred vročino, oljem, ostrimi robovi ali premikajočimi se deli naprave. Poškodovani ali zapleteni kablji povečujejo tveganje električnega udara.
- e) **Kadar uporabljate električno orodje zunaj, uporabljajte samo kabelske podaljške, ki so primerni za delo na prostem.** Uporaba kabelskega podaljška, ki jê primeren za delo na prostem, zmanjšuje tveganje električnega udara.

- f) **Če je uporaba električnega orodja v vlažnem okolju neizogibna, uporabljajte stikalo za zaščito pred kvarnim tokom.** Uporaba zaščitnega stikala zmanjšuje tveganje električnega udara.

## 3. OSEBNA VARNOST

- a) **Bodite pozorni, pazite kaj delate ter se dela z električnim orodjem lotite z razumom. Ne uporabljajte električnega orodja, če ste utrujeni oziroma če ste pod vplivom mamil, alkohola ali zdravil.** Trenutek nepazljivosti med uporabo električnega orodja je lahko vzrok za resne telesne poškodbe.
- b) **Uporabljajte osebno zaščitno opremo in vedno nosite zaščitna očala.** Nošenje osebne zaščitne opreme, na primer maske proti prahu, nedreših zaščitnih čevljev, varnostne celade ali zaščitnih glušnikov, kar je odvisno od vrste in načina uporabe električnega orodja, zmanjšuje tveganje telesnih poškodb.
- c) **Izogibajte se nenamernemu zagonu. Pred priključitvijo električnega orodja na električno omrežje in/ali na akumulator in pred dviganjem ali nošenjem se prepričajte, če je električno orodje izklopljeno.** Prenašanje naprave s prstom na stikalu ali priključitev vklopljenega električnega orodja na električno omrežje je lahko vzrok za nezgodo.
- d) **Pred vkapljanjem električnega orodja odstranite nastavitvena orodja ali izvijače.** Orodje ali ključ, ki se nahaja v vrtečem se delu naprave, lahko povzroči telesne poškodbe.
- e) **Izogibajte se nenormalni telesni drži. Poskrbite za trdno stojišče in za stalno ravnotežje.** Tako boste v nepričakovanih situacijah električno orodje lahko bolje nadzorovali.
- f) **Nosite primerna oblačila. Ne nosite ohlapnih oblačil in nakita.** Poskrbite, da se med delovanjem električnega orodja vaši lasje, oblačila in rokavice, ne bodo ujeli med premikajoče se dele. Premikajoči se deli orodja lahko zagrabijo ohlapno oblačilo, dolge lase ali nakit.
- g) **Če ima električno orodje predvideno namestitev enot za odsesavanje prahu ali zbiranje delcev, poskrbite, da bodo te tudi pravilno nameščene in uporabljene.** Če uporabljate enoto za zbiranje delcev, obstaja manjša nevarnost nesreče zaradi prahu.
- h) **Upošteвайте, da boste s pogosto uporabo orodja, z njim postali zelo domači, zaradi česar bi lahko ravnali ravno dušno, ter spregledali varnostna pravila za uporabo orodja.** Nepremišljeno ravnanje lahko že v trenutku nepazljivosti, povzroči resne poškodbe.

## 4. SKRBNA UPORABA IN RAVNANJE Z ELEKTRIČNIMI ORODJI

- a) **Ne preobremenjujte naprave. Pri delu uporabljajte električna orodja, ki so za to delo namenjena.** Z ustreznim električnim orodjem boste v navedenem zmogljivostnem področju delali bolje in varneje.
- b) **Ne uporabljajte električnega orodja s**

**pokvarjenim stikalom.** *Električno orodje, ki se ne da več vklopiti ali izklopiti, je nevarno in ga je potrebno popraviti.*

- c) **Pred nastavljanjem naprave, zamenjavo delov pribora ali odlaganjem naprave izvelicite vtiča iz električne vtičnice in/ali odstranite akumulator.** *Ta previdnostni ukrep preprečuje nenameren zagon električnega orodja.*
- d) **Električna orodja, katerih ne uporabljate, shranjujte izven dosega otrok. Osebam, ki naprave ne poznajo ali niso prebrale teh navodil za uporabo, naprave ne dovolite uporabljati.** *Električna orodja so nevarna, če jih uporabljajo neizkušene osebe.*
- e) **Skrbno negujte električno orodje. Kontrolirajte brezhibno delovanje premičnih delov naprave, ki se ne smejo zatikati. Če so ti deli zlomljeni ali poškodovani do te mere, da ovirajo delovanje električnega orodja, jih je potrebno pred uporabo naprave popraviti.** *Slabo vzdrževana električna orodja so vzrok za mnoge nezgode.*
- f) **Rezalna orodja vzdržujte tako, da bodo vedno ostra in čista.** *Skrbno negovana rezalna orodja z ostrimi robovi se manj zatikajo in so lažje vodljiva.*
- g) **Električna orodja, pribor, vsadna orodja in podobno uporabljajte ustrezno tem navodilom. Pri tem upoštevajte delovne pogoje in dejavnost, ki jo boste opravljali.** *Uporaba električnih orodij v namene, ki so drugačni od predpisanih, lahko privede do nevarnih situacij.*
- h) **Poskrbite, da bodo ročaji in ostale prijemalne površine, vedno suhi, čisti in brez ostankov olj ali masti.** *Če pride do nepredvidenih situacij, vam spolzki ročaji in prijemalne površine ne zagotavljajo varnega rokovanja in nadzora nad orodjem.*

## 5. Servisiranje

- a) **Vaše električno orodje naj popravlja le kvalificirano strokovno osebje, ki uporablja originalne nadomestne dele.** *Tako bo zagotovljena predpisana varna uporaba orodja.*

## SIMBOLI



Zaradi zmanjševanja nevarnosti poškodb, se temeljito seznanite z navodili za uporabo



Opozorilo



Uporabljajte zaščito za ušesa



Uporabljajte zaščito za oči



Nosite zaščitno masko za prah



Dvojna izolacija



Opadnih električnih naprav ne smete zavreči skupaj z ostalimi gospodinjstskimi odpadki. Dostavite jih na mesto za ločeno zbiranje odpadkov. Glede podrobnosti, se posvetujte z lokalno službo za ravnanje z odpadki.

SL

## SEZNAM KOMPONENT

1. NADZOR SPREMENLJIVE HITROSTI
2. STIKALO ZA VKLOP/IZKLOP
3. OBMOČJE PRIJEMA
4. POSODA ZA PRAH
5. ROČICA OBJEMKE BRUSNEGA PAPIRJA
6. ZAKLEP ROČICE OBJEMKE
7. ALUMINIJASTA OSNOVNA PLOŠČA
8. LUKNJAČ ZA PAPIR
9. BRUSNI PAPIR
10. ADAPTER ZA SESALNIK
11. ODVOD ZA ODSTRANJEVANJE PRAHU (GLEJTE SL. C)

# TEHNIČNI PODATKI

Tip DX45 (45 - oznaka stroja, predstavlja vibracijski brusilnik)

Nazivna napetost	220-240V~50/60Hz
Nazivna moč	240W
Hitrost brez obremenitve	6000-11000/min
Razred zaščite	□/II
Velikost osnovne plošče	90*187mm
Krožni premer	1.6mm
Teža naprave	1.63kg

## INFORMACIJE O HRUPU

Vrednoten zvočni tlak	$L_{pA} = 78 \text{ dB(A)}$
Vrednotena jakost hrupa	$L_{wA} = 89 \text{ dB(A)}$
$K_{pA}$ & $K_{wA}$	3.0 dB(A)
<b>UNosite zaščito za ušesa.</b>	

## PODATKI O VIBRACIJAH

Skupne vrednosti oscilacij (vektorski seštevek treh smeri), skladno z EN 62841:	
Vrednost emisije vibracij	$a_h = 6,0 \text{ m/s}^2$
	Negotovost K = 1.5 $\text{m/s}^2$

Deklarirana skupna raven vibracij ter deklarirana vrednost emisij hrupa, sta bili izmerjeni skladno s standardno testno metodo in služita primerjavi orodij med seboj.

Deklarirano skupno raven vibracij ter deklarirano vrednost emisij hrupa, lahko uporabljate tudi kot osnovo za ocenjevanje izpostavljenosti.

**!** **OPOZORILO:** Dejanski vrednosti emisij vibracij ter hrupa med uporabo orodja, se lahko razlikujeta od navedenih, kajti nanju vpliva tudi način uporabe orodja ter vrsta obdelovanca, predvsem pa naslednje okoliščine:

Način uporabe orodja in materiali, ki jih lahko obdelujete.

Ali je orodje v dobrem stanju in ustrezno vzdrževano.

Ali uporabljate ustrezní dodatek in njegova brezhibnost.

Čvrstost oprijema ročajev in morebitna uporaba dodatkov za zmanjševanje vibracij.

Uporaba orodja za predviden namen, skladen s temi navodili.

**Če orodja ne uporabljate pravilno, lahko povzroči vibracijski sindrom zapestja in rok.**

**!** **OPOZORILO:** Če želimo resnično natančno oceniti raven izpostavljenosti v dejanskih okoliščinah, moramo upoštevati tudi vse faze delovnega procesa, tudi število vklopov in izklopov strojčka ter čas, ko deluje v prostem teku in neobremenjeno. To lahko znatno zmanjša raven izpostavljenosti tekom celotnega delovnega procesa.

Pomoč pri zmanjševanju tveganja pri izpostavljenosti vibracijam in hrupu.

VEDNO uporabljajte le ostre pripomočke.

Orodje vzdržujte skladno s temi navodili in poskrbite, da bo dobro namazano (kjer je potrebno).

Če boste orodje uporabljali redno, potem investirajte v dodatke za zmanjševanje vibracij in hrupa.

Delo si organizirajte tako, da boste opravila z visoko ravno vibracij izvajali v več fazah, tekom nekaj dni.

## DODATKI

Papir z luknjami	1
Adapter kanala za prah	1
80 granulatni brusni papir	1
Posoda za prah	1

Priporočamo vam, da dodatke vedno kupujete v isti trgovini, kot ste kupili strojček. Za podrobnosti si oglejte razlage na embalaži kompleta dodatkov. Pri odločanju o ustreznem dodatku, vam lahko pomaga tudi osebeje v trgovini.

# NAVODILA ZA UPORABO



**OPOMBA:** Pred uporabo orodja natančno preberite navodila.

## PREDVIDENA UPORABA

Stroj je namenjen za suho brušenje lesa, plastike, polnil in prevečenih površin.

## MONTAŽA

### 1. NAMEŠČANJE BRUSNEGA PAPIRJA (GLEJTE SL. A, B)

- Brusilni papir brez sprijemalnega sistema Dvignite ročico objemke brusnega papirja in jo odmaknite od zaklepa ročice objemke. Ponovite z drugo ročico objemke na nasprotni strani.

Pod ročico objemke brusnega papirja vstavite približno 5 mm enega konca brusnega papirja. Ponovno dvignite ročico objemke brusnega papirja in jo premaknite nazaj v položaj zaklepa ročice objemke, da zaklenete papir. Brusni papir potisnite čim bolj tesno okrog osnovne plošče in pritrđite drugi konec brusnega papirja.

Preverite brusni papir in se vedno prepričajte, da je tesno pritrjen na osnovno ploščo in pod obema zaklenjenima objemkama.

- Brusni papir s sprijemalnim sistemom

Brusni papir ročno poravnajte in potisnite neposredno na osnovno ploščo. Brusilnik z brusnim papirjem trdno pritisnite na plosko površino, da zagotovite, da je papir pritrjen. Luknje na brusnem papirju in osnovni plošči morajo biti dobro poravnane.

### 2. NAMESTITEV IN ODSTRANJEVANJE POSODE ZA PRAH (GLEJTE SL. C)

Vaš brusilnik je opremljen s posodo za prah. Če želite pritrđiti posodo za prah, jo vstavite v odvod za odstranjevanje prahu na hrbtni strani, da je varno pritrjena. Če jo želite odstraniti, pritisnite ročico za sprostitvev (a) na obeh straneh posode za prah in jo potisnite ven.



**POZOR:** Nikoli ne poskušajte uporabljati brusilnika, če posoda za prah ni pravilno nameščena, saj tako preprečite, da bi vam v obraz ali oči izvrglo brusilni prah ali tujek.

### 3. PRAZNIENJE POSODE ZA PRAH (GLEJTE SL. D)

Za učinkovitejše delovanje izpraznite posodo za prah vsakih 5–10 minut. To bo omogočilo boljši pretok zraka skozi posodo.

Če želite izprazniti posodo za prah, jo najprej odstranite iz odvoda za odstranjevanje prahu, pritisnite gumb na zadnji strani posode, da odprete zadnji del posode, nato pa lahko prah iztesete.

### 4. PRITRŽEVANJE BRUSILNIKA NA SESALNIK (GLEJTE SL. E)

Vaš brusilnik je opremljen z adapterjem za sesalnik, ki je zasnovan za nalogo zbiranja prahu. Vstavite adapter za sesalnik v hrbtni odvod za odstranjevanje prahu in zagotovite, da je varno zategnjen. Nato adapter priključite na cev sesalnika.

Med uporabo najprej vklopite sesalnik in nato še brusilnik. Če nehate brusiti, najprej izklopite brusilnik, nato pa še sesalnik.

**OPOMBA:** Adapter vedno priključite na 35 mm sesalno cev.

## DELOVANJE

### 1. UPRAVLJANJE STIKALA ZA VKLOP/IZKLOP (GLEJTE SL. F)

Stikalo za vklop/izklop potisnite naprej za delovanje in nazaj za zaustavitev.

### 2. NADZOR SPREMENLJIVE HITROSTI (GLEJTE SL. G)

Z nadzorom spremenljive hitrosti lahko izberete želeno hitrost (tudi med delovanjem).

Zahtevana hitrost je odvisna od materiala in jo je treba določiti s praktičnim preskusom.

### 3. LUKNJAČ ZA PAPIR (GLEJTE SL. H)

Če uporabljate brusni papir brez luknjač za prah, najprej uporabite luknjač za papir, da ustvarite luknje za pravilno odstranjevanje prahu. Luknjač postavite nad osnovno ploščo tako, da so stranice luknjača poravnane z robovi osnovne plošče. Pritisnite luknjač v osnovno ploščo, da ustvarite luknje v brusnem papirju. Nato odstranite luknjač in preverite, ali so vse luknje pravilno oblikovane.

### 4. UPORABA BRUSILNIKA

Obdelovanec, ki ga nameravate brusiti, mora biti zavarovan. Če je majhen ali se med brušenjem lahko premakne, ga je treba držati v primežu ali ustrezno vpeti. Prepričajte se, da brusilnik trdno držite, ko je vklopljen, in ga nežno nanesete na obdelovanec, saj lahko ob prvem stiku »udarci«. Držite brusilnik tako, da je plosko na obdelovancu, in ga premikajte počasi, po možnosti z gladkimi krožnimi gibi. Redno preverjajte stanje brusnega papirja in ga med obrabo zamenjajte za najboljše rezultate.

## NAPOTKI ZA UPORABO FINALNEGA BRUSILNIKA

- Če se vaše orodje med delom segreje, posebej, če ga uporabljate z nizkimi hitrostmi, nastavite slednjo na maksimalno in ga pustite delovati 2-3 minute, da se ohladi. Izogibajte se predolgemu delu z nizkimi hitrostmi. Vedno uporabljajte le brusni papir, ki je primeren za material, katerega boste brusili.
- Vedno poskrbite, da bo obdelovanec trdno vpet in se ne bo mogel premikati.
- Če se obdelovanec med obdelavo premika, potem kakovost obdelave ne bo kakršno si želite.
- Brusilnik zaženite preden se z njim dotaknete obdelovanca in ga ugasnite ko se odmaknete od obdelovanca. Za doseganje najboljših rezultatov, les brusite le v smeri vlaken.
- Pri brušenju obvezno uporabljajte nameščen brusni papir.
- Če se brusni papir prekomerno obrabi, lahko poškodujete osnovno ploščo. Garancija ne krije obrabe ali poškodbe osnovne plošče.
- Za brušenje grobih površin uporabljajte grob brusni papir, za gladke površine srednje grobega, za finalno obdelavo pa fin brusni papir. Če je treba, najprej preverite delovanje na testnem kosu.
- Uporabljajte le kakovostne brusne papirje.
- Brusni papir vpliva na kakovost brušenja, ne glede na silo, s katero pritisnete na orodje. Če pri brušenju uporabite preveliko silo, bo to zmanjšalo učinkovitost in preobremenilo motor. Za zagotavljanje optimalne učinkovitosti, morate med uporabo brusni papir ustrezno menjati.

## VZDRŽEVANJE

### **Pred vsakim prilaganjem, servisiranjem ali vzdrževanjem izvlecite vtičač iz vtičnice.**

Vašega strojčka ne rabite dodatno mazati.

Strojček tudi nima nobenih delov, ki bi jih morali servisirati.

Za čiščenje strojčka nikoli ne uporabljajte vode ali kemičnih sredstev. Obrišite ga le s suho krpo. Strojček vedno shranjujte na suhem mestu. Poskrbite, da bodo prezračevalne odprtine čiste. Vsi elementi krmiljenja morajo biti čisti, brez prahu.


Med uporabo strojčka boste skozi prezračevalne reže lahko opazili iskre. To je običajno in ne bo poškodovalo strojčka.


Če je napajalni kabel poškodovan, ga lahko zamenja le proizvajalec, njegov serviser ali podobno usposobljene osebe, sicer obstaja nevarnost poškodb.

## ODPRAVLJANJE TEŽAV

1. Če brusilnik ne deluje, preverite napajanje omrežnega vtiča.
2. Če brusilnik ne brusi površine, preverite brusni papir. Če je brusni papir obrabljen, ga zamenjajte z novim in poskusite znova. Papir je treba hraniti na suhem, če postane vlažen, abrazivni delci izgubijo svoj oprijem na osnovni papir in ne bodo brusili.
3. Če se brusilnik ne premika gladko, je brusni papir lahko ohlapen, poškodovan ali naguban. Zamenjajte ga in poskusite znova.
4. Če napake ni mogoče odpraviti, brusilnik vrnite v popravilo pooblaščenemu prodajalcu.

## VAROVANJE OKOLJA

 Odpadnih električnih naprav ne smete zavreči skupaj z ostalimi gospodinjstvi odpadki.

 Dostavite jih na mesto za ločeno zbiranje odpadkov. Glede podrobnosti, se posvetujte z lokalno službo za ravnanje z odpadki.

## IZJAVA O SKLADNOSTI

Mi,  
POSITEC Germany GmbH  
Postfach 32 02 16, 50796 Cologne, Germany

Izjavljamo, da je izdelek,  
Opis izdelka: **1/3 Listni brusilnik**  
Vrsta izdelka: **DX45 (45-oznaka strojčka predstavlja brezžični vrtnik)**  
Funkcija: **Površinsko odstranjevanje materiala z abrazivnim medijem**

Skladen z naslednjimi direktivami,  
**2006/42/EC, 2014/30/EU, 2011/65/EU&(EU)2015/863**

In izpolnjuje naslednje standarde:  
**EN 55014-1, EN 55014-2, EN 62841-1, EN 62841-2-4, EN IEC 61000-3-2, EN 61000-3-3**

Oseba, ki je pooblaščen za skladnost tehnične dokumentacije,

**Ime Marcel Filz**  
**Naslov POSITEC Germany GmbH**  
**Postfach 32 02 16, 50796 Cologne, Germany**



2023/04/16

Allen Ding

Namestnik načelnika inženir, Testiranje in certificiranje  
Positec Technology (China) Co., Ltd.

18, Dongwang Road, Suzhou Industrial  
Park, Jiangsu 215123, P. R. China



# ORJİNAL TALİMATLAR ÜRÜN GÜVENLİĞİ GENEL ELEKTRİKLİ ALET GÜVENLİK UYARILARI



**UYARI!** Bu elektrikli aletle birlikte verilen tüm güvenlik uyarılarını, talimatları, şekilleri ve özellikleri okuyun. Aşağıda belirtilen talimatlara uyulmaması durumunda, elektrik çarpması, yangın ve/veya ciddi yaralanma gibi riskler görülebilir.

**İleride başvurmak üzere tüm uyarıları ve talimatları saklayın.**

Uyarılarda bulunan "elektrikli alet" ifadesi ile elektrikli (kablolu) veya bataryalı (akülü) aletiniz kast edilmektedir.

## 1. ÇALIŞMA ALANI GÜVENLİĞİ

- Çalışma alanınızın temiz ve iyi aydınlatılmış olmasına dikkat edin.** Dağınık veya karanlık alanlar kazalara davetiye çıkarır.
- Elektrikli aletleri yanıcı sıvı, gaz veya toz gibi patlama riski olan maddelerin bulunduğu ortamlarda çalıştırmayın.** Elektrikli aletler, tozu veya dumanı tutuşturabilecek kıvılcımlar oluşturur.
- Elektrikli aleti kullanırken çocukları ve çevredeki kişileri uzak tutun.** Dikkatinizi dağıtabilecek unsurlar aletin kontrolünü kaybetmenize neden olabilir.

## 2. ELEKTRİKSEL GÜVENLİK

- Elektrikli aletin fişi prize uygun olmalıdır. Fiş üzerinde hiçbir şekilde değişiklik yapmayın. Topraklanmış elektrikli aletlerle herhangi bir adaptör fiş kullanmayın.** Üzerinde herhangi bir değişiklik yapılmamış fiş ve uyumlu priz kullanımı elektrik çarpması riskini azaltacaktır.
- Boru, radyatör, ocak ve buzdolabı gibi topraklanmış yüzeylerle temas etmemeye dikkat edin.** Vücudunuzun topraklanmış yüzeylerle temas etmesi, elektrik çarpması riskini artırır.
- Elektrikli aletleri yağmura veya ıslak koşullara maruz bırakmayın.** Elektrikli alete giren su, elektrik çarpması riskini artıracaktır.
- Elektrik kablolarını zorlamayın. Aleti kablodan tutarak taşımayın, çekmeyin veya fişini prizden çıkarmayın.** Kabloyu ısı kaynaklarından, yağ gibi sıvılardan, keskin kenarlardan veya hareketli parçalardan uzak tutun. Hasar görmüş veya dolaşmış kablolar elektrik çarpması riskini artırır.
- Elektrikli bir aleti açık havada çalıştırırken, açık havada kullanıma uygun bir uzatma kablosu kullanın.** Açık havada kullanıma uygun bir uzatma kablosu kullanılması elektrik çarpması riskini azaltır.
- Elektrikli aleti nemli bir yerde çalıştırmak zorunda kalırsanız, kaçak akım rölesi (RCD) korumalı bir güç kaynağı kullanın.** Kaçak akım rölesinin kullanılması kullanılması elektrik çarpması riskini azaltır.

## 3. KİŞİSEL GÜVENLİK

- Bir elektrikli aleti kullanırken dikkatli**

olun, yaptığınız işe odaklanın ve mantık çerçevesinde hareket edin. Yorgunken veya uyuşturucu, alkol veya ilaç gibi maddelerin etkisi altındayken elektrikli alet kullanmayın. Elektrikli aletleri kullanırken bir anlık dikkatsizlik ciddi yaralanmalara neden olabilir.

- Kişisel koruyucu donanım kullan Daima koruyucu gözlük takın.** Belirli koşullarda kullanılan toz maskesi, kaymayan güvenli ayakbağları, baret veya kulak koruyucu gibi güvenlik ekipmanları kişisel yaralanmaları azaltacaktır.
  - Cihazın yanlışlıkla çalışmasını önleyin. Aleti güç kaynağına ve/veya batarya grubuna bağlamadan, elinize almadan veya taşımadan önce düğmesinin kapalı konumda olduğundan emin olun.** Parmağınızı düğmenin üzerindeyken elektrikli aletlerin taşınması veya düğmenin açık olduğu elektrikli aletlerin çalıştırılması kazalara davetiye çıkarır.
  - Elektrikli aleti açmadan önce üzerine takılmış herhangi bir ayar anahtar veya anahtar varsa çıkarın.** Elektrikli aletin dönen bir parçasına takılmış halde bırakılan bir anahtar yaralanmaya neden olabilir.
  - Elektrikli aleti aşırı şekilde uzanarak kullanmayın. Her zaman yere dengeli basın ve dengelenizi koruyun.** Bu sayede beklenmedik koşullarda elektrikli aleti daha iyi şekilde kontrol edebilirsiniz.
  - Uygun kıyafetler giyinin. Bol giysiler giymeyin ya da herhangi bir takı kullanmayın. Saçınızı ve giysilerinizi hareketli parçalardan uzakta tutun.** Bol ve sarkan kıyafetler, takılar veya uzun saç hareketli parçalar tarafından kapılabilir.
  - Toz ayırma ve toplama tesislerinin bağlantılarına yönelik cihazlar varsa, bunların bağlı olduğundan ve doğru şekilde kullanıldığında emin olun.** Tozun toplanması, tozun neden olabileceği tehlikeli duruma azaltabilir.
  - Aletlerin sık kullanımdan dolayı aletleri iyice tanyor olsanız da dikkatsiz davranmayın ve aletle ilgili güvenlik ilkelerini göz ardı etmeyin.** Dikkatsiz bir hareket, bir saniyeden daha kısa sürede ciddi yaralanmalara neden olabilir.
- ## 4. ELEKTRİKLİ ALETİN KULLANIMI VE BAKIMI
- Elektrikli aleti zorlamayın. Uygulamanız için doğru elektrikli aleti kullanın.** Doğru elektrikli alet, kullanım amacına uygun şekilde kullanıldığı oranda iş daha iyi ve daha güvenli şekilde gerçekleştirilebilir.
  - Açma kapama düğmesi aracılığıyla açılıp kapatılmayan bir elektrikli aleti kullanmayın.** Düğme ile kontrol edilemeyen herhangi bir elektrikli alet tehlikelidir ve onarılması gerekir.
  - Herhangi bir ayar yapmadan, aksesuarları değiştirmeden veya elektrikli aletleri yerine değiştirmeden önce fişi güç kaynağından ayırın ve/veya çıkarılabiliyorsa batarya grubunu elektrikli aletten çıkarın.** Bu tür önleyici güvenlik önlemleri, elektrikli aletin yanlışlıkla çalıştırılma riskini azaltır.
  - Kullanılmayan elektrikli aletleri çocukların**

erişemeyeceği yerlerde saklayın ve elektrikli aleti tanımayan veya kullanımı ile ilgili talimatları bilmeyen kişilerin elektrikli aleti kullanmasına izin vermeyin. Elektrikli aletler, bu aletler ile ilgili herhangi bir eğitimi olmayan kullanıcıların elinde tehlikeli olabilir.

- e) Elektrikli aletlerin ve aksesuarların bakımını yapın. Hareketli parçaların ayar ve bağlantılarının doğru şekilde yapılıp yapılmadığını, kırık parçalarının olup olmadığını ve elektrikli aletlerin çalışmasını etkileyebilecek diğer tüm durumları kontrol edin. Hasar görmüş olması durumunda, kullanmadan önce elektrikli aletin onarımını yaptırın. Çoğu kaza, bakımı düzgün yapılmamış elektrikli aletlerden kaynaklanır.
- f) Kesici aletleri keskin ve temiz tutun. Bakımı uygun şekilde yapılmış keskin kenarlara sahip kesici aletlerinin tutukluk yapma olasılığı daha düşüktür ve kontrolü daha kolaydır.
- g) Elektrikli aletleri, aksesuarları ve alet uçlarını, vb., çalışma koşullarını ve yapılacak işlemleri göz önünde bulundurarak ilgili talimatlara uygun şekilde kullanın. Elektrikli aletin tasarımı amacından farklı işlemler için kullanılması tehlikeli sonuçlara yol açabilir.
- h) Tutamakların ve kavrama yüzeylerinin kuru, temiz ve yağ ve gresten arındırılmış olmasına dikkat edin. Kaygan tutamaklar ve kavrama yüzeyleri, beklenmedik durumlarda aletin güvenli bir şekilde kullanılmasına ve kontrolüne izin vermez.

## 5. SERVİS

- a) Elektrikli aletinizin bakım ve onarım

işlemlerinin yetkili bir tamirci tarafından yalnızca aynı parçalar kullanılarak gerçekleştirilmesini sağlayın. Bu sayede elektrikli aletin güvenliği sağlanmış olacaktır.

## SEMBOLLER



Yaralanma riskini azaltmak için kullanıcı makineyi çalıştırmadan önce kullanımı kılavuzunu okumalıdır



Uyari



Kulak koruması kullanın



Göz koruması takın



Toz maskesi takın



Çift yalıtım



Atık elektrikli ürünler, ev atıkları ile birlikte atılmamalıdır. Lütfen bu konuyla ilgili tesislerin bulunduğu yerlerde geri dönüşümünü sağlayın. Geri dönüşüme ilişkin tavsiyeler için, bulunduğunuz bölgedeki yerel makamlara veya bayiye danışın.

## PARÇA LİSTESİ

1. DEĞİŞKEN HIZ KONTROLÜ
2. AÇMA / KAPAMA (ON/OFF) ANAHTARI
3. KAVRAMA ALANI
4. TOZ HAZNESİ
5. ZIMPARA KAĞIDI KİLİTLEME KOLU
6. KİLİTLEME KOLU KİLİDİ
7. ALÜMİNYUM TABAN PLAKASI
8. KAĞIT DELİK ZIMBASİ
9. ZIMPARA KAĞIDI
10. VAKUM ADAPTÖRÜ
11. TOZ EMME ÇIKIŞI (BKZ. ŞEK. C)

## TEKNİK VERİLER

Tip DX45 (45-makinenin tanımı, zımpara makinesi örneği)

Nominal gerilim	220-240V~50/60Hz
Nominal güç	240W
Yüksüz hız	6000-11000/min
Koruma sınıfı	□/II

Taban boyutu	90*187mm
Titreşim dairesi yarıçapı	1.6mm
Makine ağırlığı	1.63kg

## GÜRÜLTÜ BİLGİSİ

Ağırlıklı ses basıncı	$L_{pA} = 78 \text{ dB(A)}$
Ağırlıklı ses gücü	$L_{wA} = 89 \text{ dB(A)}$
$K_{pA}$ & $K_{wA}$	3.0 dB(A)
<b>Kulak koruması kullanın.</b>	

## TİTREŞİM BİLGİSİ

EN 62841'e göre belirlenen titreşim toplam değerleri (triaks vektör toplamı):	
Titreşim emisyon değeri	$a_h = 6,0 \text{ m/s}^2$
	Belirsizlik $K = 1.5 \text{ m/s}^2$

Beyan edilen titreşim toplam değeri ve beyan edilen gürültü emisyon değeri, standart bir test yöntemine göre ölçülmüştür ve bir aleti değeriyle karşılaştırmak için kullanılabilir. Beyan edilen titreşim toplam değeri ve beyan edilen gürültü emisyon değeri, ilk maruz kalma değerlendirmesinde de kullanılabilir.

**UYARI:** Elektrikli aletin fiili kullanımı sırasındaki titreşim ve gürültü emisyonları, aşağıdaki örneklerle göre işlenen iş parçası tipi başta olmak üzere aletin kullanım şekillerine ve aletin farklı koşullarda nasıl kullanıldığına bağlı olarak farklılık gösterebilir:

Aletin kullanılma şekli ile kesilen veya delinen malzemeler.

Aletin iyi durumda olması ve alete iyi bakım yapılması.

Alet için doğru aksesuarın kullanılması, aksesuarın keskin ve iyi durumda olduğundan emin olunması.

Tutamakların kavrama sıklığı ve varsa titreşim ve gürültü önleyici aksesuarların kullanımı.

Aletin amacına ve bu talimatlara uygun olarak kullanılması.

**Bu alet, kullanımı ustaca yönetilmezse el-kol titreşim sendromuna neden olabilir.**

**UYARI:** Doğru olması için gerçek kullanım koşullarındaki maruziyet seviyesi tahmini, aletin kapatıldığı ve altında iş yapmayı boşta çalıştığı zamanlar gibi çalışma döngüsünün tüm bölümlerini de hesaba katmalıdır. Bu, toplam çalışma süresi boyunca maruz kalma seviyesini önemli ölçüde azaltabilir.

Titreşim ve gürültüye maruz kalma riskinizi en aza indirmeye yardımcı olur.

Daima keskin kesimler, matkaplar ve bıçaklar kullanın.

Bu aletin bakımını bu talimatlara uygun olarak yapın ve aleti güzelce yağlayın (uygun durumlarda).

Alet düzenli olarak kullanılacaksa, titreşim ve gürültü önleyici aksesuarlara yatırım yapın.

Çalışma programınızı, yüksek titreşimli alet kullanımını birkaç güne yayacak şekilde planlayın.

## AKSESUARLAR

Kağıt delik zımbası	1
Vakum adaptörü	1
80 kum zımpara kağıdı	1
Toz haznesi	1

Aksesuarlarınızı aleti satın aldığınız mağazadan almanızı tavsiye ederiz Tanınmış bir markaya ait iyi kalitede aksesuarları kullanın. Daha fazla bilgi için aksesuar ambalajına bakın. Mağaza personeli size yardımcı olabilir ve tavsiye verebilir.

# KULLANIM TALİMATLARI



**NOT:** Aleti kullanmadan önce, kullanım kılavuzunu dikkatli bir şekilde okuyun.

## KULLANIM AMACI

Makine; ahşap, plastik, dolgu ve kaplamalı yüzeylerin kuru zımparalanması için tasarlanmıştır.

## MONTAJ

### 1. ZIMPARA KAĞIDINI TAKMA (BKZ. ŞEK. A, B)

- Cırt cırtlı zımpara kağıdı

Zımpara kağıdı kilitleme kolunu kaldırın ve kilitleme kolu kilidinden çekin. Karşı taraftaki diğer kilitleme kolu için de aynı şeyi yapın. Zımpara kağıdının bir ucunun yaklaşık 5 mm'lik kısmını, zımpara kağıdı kilitleme kolunun altına yerleştirin. Zımpara kağıdı kilitleme kolunu tekrar kaldırın ve kağıdı kilitlemek için kilitleme kolu kilit konumuna geri getirin. Zımpara kağıdını taban plakasının etrafına mümkün olduğunca sıkı bastırın ve zımpara kağıdının diğer ucunu sabitleyin.

Zımpara kağıdını kontrol edin ve mutlaka taban plakasının üzerinde ve her iki kilitleme kolunun altında sıkıca sabitlendiğinden emin olun.

- Cırt cırtlı zımpara kağıdı

Zımpara kağıdını hizalayın ve doğrudan taban plakasına elinizle bastırın. Kağıdın sabitlendiğinden emin olmak için zımpara makinesini zımpara kağıdı takılıken düz bir yüzeye iyice bastırın. Zımpara kağıdı ve taban plakası üzerindeki delikler iyi hizalanmalıdır.

### 2. TOZ HAZNESİNİ TAKMA VE SÖKME (BKZ. ŞEK. C)

Zımpara makinenizde bir toz haznesi bulunmaktadır. Takmak için, toz haznesini sabitlenene kadar arkadaki toz emme çıkışına itin. Sökmek için, toz haznesinin her iki yanındaki açma koluna (a) basın ve toz haznesini çıkarın.



**DİKKAT:** Yüzünüze veya gözlerinize toz veya yabancı cisim kaçma olasılığını önlemek için toz haznesi düzgün takılmadan zımpara makinenizi kesinlikle kullanmayın.

### 3. TOZ HAZNESİNİ BOŞALTMA (BKZ. ŞEK. D)

Daha verimli çalışmak için her 5-10 dakikada bir toz haznesini boşaltın. Böylece havanın kutudan daha iyi akmasını sağlamış olursunuz.

Toz haznesini boşaltmak için hazneyi önce toz emme çıkışından çıkarın, haznenin arkasındaki düğmeye basarak haznenin arkasını açın, ardından tozu silkeleyerek boşaltın.

### 4. ZIMPARA MAKİNESİNİ VAKUM ADAPTÖRÜNE BAĞLAMA (BKZ. ŞEK. E)

Zımpara makineniz, toz toplama amacıyla tasarlanmış bir vakum adaptörüne sahiptir. Vakum adaptörünü arka toz emme çıkışına takın ve sağlam bir şekilde takıldığından emin olun. Ardından adaptörü bir elektrikli süpürge hortumuna bağlayın.

Lütfen kullanırken önce elektrik süpürgesini, ardından zımpara makinesini açın. Zımparalama işlemini bıraktığınızda önce zımpara makinesini, ardından da elektrik süpürgeyi kapatın.

**NOT:** Lütfen adaptörü daima 35 mm'lik vakum hortumu ile bağlayın.

## ÇALIŞMA

### 1. AÇMA/KAPAMA DÜĞMESİNİN KULLANIMI (BKZ. ŞEK. F)

Çalıştırmak için açma/kapama düğmesini ileri ve durdurmak için geri itin.

### 2. DEĞİŞKEN HIZ KONTROLÜ (BKZ. ŞEK. G)

Değişken hız kontrolü ile istediğiniz hızı seçebilirsiniz (çalışırken de). Gerekli hız, malzemeye bağlıdır ve deneyerek belirlenmelidir.

### 3. KAĞIT DELİK ZIMBASASI (BKZ. ŞEK. H)

Toz delikleri olmayan zımpara kağıdı kullanıyorsanız tozun düzgün şekilde emilmesini sağlamak için öncelikle kağıt delik zımbası kullanarak delik açmanız gerekir. Zımbayı, zimba kenarları taban plakasının kenarları ile hizalı olacak şekilde taban plakasının üzerine yerleştirin. Zımpara kağıdına delik açmak için zımbayı taban plakasına bastırın. Ardından zımbayı çıkarın ve tüm deliklerin doğru şekilde açıldığından emin olun.

### 4. ZIMPARA MAKİNESİNİ KULLANMA

Zımparalanacak iş parçası sabitlenmelidir. Küçükse veya zımparalama sırasında hareket edebiliyorsa, bir mengineye sıkıştırılmalı veya uygun şekilde sabitlenmelidir. Zımpara makinesini açırken sıkıca tutun ve çalıştığınız parçaya nazikçe uygulayın, ilk temasta "geri tepelir". Zımpara makinesini çalıştığınız parça üzerinde düz olacak şekilde tutun ve terchen yumuşak, dairesel hareketlerle yavaşça hareket ettirin. Zımpara kağıdının durumunu düzenli olarak kontrol edin ve en iyi şekilde sonuç almak için aşındığında değiştirin.

## ZIMPARA MAKİNESİNİN ÇALIŞMASIYLA İLGİLİ İPUÇLARI

- Elektrikli aletinize özellikle düşük hızda çalışırken çok ısınırsa, hızı maksimuma ayarlayın ve motoru soğutmak için 2-3 dakika yüksüz çalıştırın. Çok düşük hızlarda uzun süre kullanmayın. Daima zımparalamak istediğiniz malzemeye uygun zımpara kağıdı kullanın.
- Hareket etmesini önlemek için çalıştığınız parçanın her zaman sıkıca tutulduğundan veya sabitlendiğinden emin olun.
- Malzemenin herhangi bir hareketi, zımparalama yüzeyinin kalitesini etkileyebilir.
- Zımpara makinenizi zımparalama işleminden önce çalıştırın ve ancak işlemi bitirdikten sonra kapatın. En iyi sonuçlar için ahşabı damar yönünde zımparalayın.
- Zımpara kağıdı takmadan zımparalama işlemine başlamayın.
- Zımpara kağıdının aşınmasına izin vermeyin; aksi halde taban plakasına zarar verir. Taban plakasının aşınması ve yıpranması garanti kapsamında değildir.
- Pürüzlü yüzeyleri zımparalamak için kalın kumlu kağıt, pürüzsüz yüzeyler için orta kumlu ve yüzey bitirme işlemi için de ince kumlu kağıt kullanın. Gerekirse öncelikle hurda malzeme üzerinde deneme yapın.
- Yalnızca iyi kalitede zımpara kağıdı kullanın.
- Zımpara kağıdı, alete uyguladığınız kuvvetin

şiddetini değil zımparalama verimliliğini kontrol eder. Aşırı güç, zımparalama verimini düşürür ve motorun aşırı yüklenmesine neden olur. Zımpara kağıdının düzenli olarak değiştirilmesi, zımparalama verimini arttırır.

## BAKIM

### Herhangi bir ayar, servis veya bakım işlemi yapmadan önce fişi prizden çekin.


Elektrikli aletiniz ek yağlama veya bakım gerektirmez. Elektrikli aletinizde kullanıcı tarafından bakımı yapılabilecek hiçbir parça yoktur. Elektrikli aletinizi temizlemek için kesinlikle su veya kimyasal temizleyiciler kullanmayın. Kuru bir bezle iyice silin. Elektrikli aletinizi her zaman kuru bir yerde saklayın. Motor havalandırma deliklerini temiz tutun. Tüm çalışma kontrollerini tozdan uzak tutun. Bazen havalandırma deliklerinden kıvılcıklar görebilirsiniz. Bu normal bir durumdur ve elektrikli aletinize zarar vermez.

Elektrik kablosu hasar görmüşse, tehlikeyi önlemek için kablounun imalatçı, servis acentesi veya benzeri nitelikte kişiler tarafından değiştirilmesi gerekir.

## ARIZA GİDERME

1. Zımpara makineniz çalışmıyorsa, fişe elektrik gelip gelmediğini kontrol edin.
2. Zımpara makinesi yüzeyi aşındırmazsa, zımpara kağıdını kontrol edin. Zımpara kağıdı aşınmışsa, kağıdı yenisiyle değiştirin ve tekrar deneyin. Kağıt kuru bir yerde tutulmalıdır; nemlenmesine izin verilirse aşındırıcı parçacıkların koruyucu kağıda tutunma kapasitesi azalır ve zımparalama işlemi gereğince gerçekleşmez.
3. Zımpara makinesi düzgün bir şekilde hareket etmiyorsa zımpara kağıdı gevşemiş, hasar görmüş veya kırılmış olabilir. Kağıdı değiştirip tekrar deneyin.
4. Arıza giderilemiyorsa zımpara makinesini onarım için yetkili servise götürün.

## ÇEVRENİN KORUNMASI

 Atık elektrikli ürünler, ev atıkları ile birlikte atılmamalıdır. Lütfen bu konuyla ilgili tesislerin bulunduğu yerlerde geri dönüşümünü sağlayın. Geri dönüşüme ilişkin tavsiyeler için, bulunduğunuz bölgedeki Yerel Makama veya bayiye danışın.

## EC UYGUNLUK BEYANNAMESİ

Biz,  
POSITEC Germany GmbH  
Postfach 32 02 16, 50796 Cologne, Germany

Olduğunu beyan ederiz,  
Ürünün tarifi: **1/3 Sac Zımpara Makinesi**  
Tipi: **DX45 (45-makinenin tanımı, zımpara makinesi örneği)**  
Fonksiyonu: **bir araç kullanarak yüzey malzemesini işleme işlevli ürünün**

Direktiflerine uygun olduğunu beyan ederiz,  
**2006/42/EC, 2014/30/EU, 2011/65/EU & (EU)2015/863**

Standartlar:  
**EN 55014-1, EN 55014-2, EN 62841-1, EN 62841-2-4, EN IEC 61000-3-2, EN 61000-3-3**

Teknik dosyayı derleyen yetkili kişinin,  
**Adı: Marcel Filz**  
**Adresi: POSITEC Germany GmbH**  
**Postfach 32 02 16, 50796 Cologne, Germany**



2023/04/16  
Allen Ding  
Baş Mühendis Yardımcısı, Test ve Sertifikasyon Positec Technology (China) Co., Ltd 18, Dongwang Road, Suzhou Industrial Park, Jiangsu 215123, P. R. China

TR

وتحقق من تشكيل جميع الفتحات بشكل سليم.

## بيان المطابقة

نقر نحن،

Positec Germany GmbH كة

ويقع مقرنا Postfach 32 02 16, 50796 Cologne ألمانيا

أن المنتج

الوصف: 1/3 ورقة صنفرة

النوع: (45) DX45 تسمية للألات، ممثل صنفرة التشطيب)

الوظيفة: إزالة مواد السطح باستخدام مادة كاشطة متوسط

يتوافق مع التوجيهات التالية

2006/42/EC, 2014/30/EU, 2011/65/EU&(EU)2015/863

المعايير تتوافق مع

EN 62841-1, EN 62841-2-4

EN 55014-1, EN 55014-2

EN IEC 61000-3-2, EN 61000-3-3

الشخص المخول بتجميع الملف الفني،

الاسم: مارسيل فيلز

الغنوان: Positec Germany GmbH كة

ويقع مقرنا Postfach 32 02 16, 50796 Cologne ألمانيا

2023/04/16

اللين دينج

ثائب كبير المهندسين، الاختيار والاعتماد

Positec Technology (China) Co., Ltd

Dongwang Road, Suzhou Industrial, 18

Park, Jiangsu 215123, P. R. China

## الصيانة

قم بإخراج القابض من المقبض قبل إجراء أي ضبط لها، أو تقديم الخدمات أو صيقتها.

لا تحتاج الأداة هذه لأي نوع من التزييت أو التشحيم الإضافي. ولا توجد أجزاء يمكن للمستخدم صيانتها بالداخل. لا تستخدم المياه أو المنظفات الكيميائية في تنظيف الأداة. نظف الأداة بقطعة قماش جافة. خزن الأداة دائماً في مكان جاف. حافظ على نظافة فتحات تهوية الموتور. حافظ على نظافة جميع أدوات التحكم من الغبار. قد ترى أحياناً بعض الشرر خارجاً من فتحات التهوية، هذا أمر طبيعي، ولن يضر بالأداة الكهربائية. في حال تلف سلك الكهرباء يجب استبداله من جهة التصنيع، أو وكيل الخدمات التابع لها، أو أشخاص مؤهلين بنفس مستوى الكفاءة لتجنب أي أخطار.

## استكشاف الأعطال وإصلاحها

1. إذا لم تعمل أداة الصنفرة، افحص مصدر الإمداد بالطاقة.
2. إذا كانت أداة الصنفرة لا تسطح السطح بقوة، افحص ورقة الصنفرة في حال اهتراء ورقة الصنفرة، استبدلها بالورقة الجديدة وحاول مرة ثانية. يجب الاحتفاظ بالورقة في مكان جاف، وإذا كان مسموحاً أن لها تصبغ رطبة، فإن الجسيمات الكاشطة لتتصاق بورقة التنطين ولن تتناك.
3. وإذا لم تتحرك أداة الصنفرة بسهولة، فقد تتفكك ورقة الصنفرة أو تتعرض للثقل أو التجدد، لذا، استبدلها وحاول مرة ثانية.
4. وفي حال عدم إمكانية تصحيح العطل، قم بإعادة أداة الصنفرة إلى البائع المعتمد لإصلاحه.

## الحماية البيئية

يجب عدم التخلص من نفايات المنتجات الكهربائية مع النفايات المنزلية. يُرجى إعادة التدوير في الأماكن المخصصة لإعادة التدوير. ارجع إلى السلطات المحلية أو بائع التجزئة للحصول على نصائح بخصوص إعادة التدوير.



تم قياس القيمة الإجمالية المُعلنة للاهتزاز وقيمة انبعاث الضوضاء المُعلنة وفقاً لطريقة اختبار قياسية ويمكن استخدامها لمقارنة أداة بأخرى يمكن أيضاً استخدام القيمة الإجمالية المُعلنة للاهتزاز وقيمة انبعاث الضوضاء المُعلنة في إجراء تقييم أولي للتعرض.



تحذير: يمكن أن تختلف انبعاثات الاهتزاز والضوضاء أثناء الاستخدام الفعلي لأداة الطاقة عن القيمة المُعلنة اعتماداً على طرق استخدام الأداة، ولا سيما ما يتعلق بنوع العنصر الذي يجري معالجته وفقاً للنماذج التالية والمتغيرات الأخرى المتعلقة بكيفية استخدام الأداة:

طريقة استخدام الأداة والمواد التي يتم قطعها أو ثقبها.

كون الأداة في حالة جيدة ويتم صيانتها جيداً.

استخدام الملحق المناسب للأداة والتأكد من أنه حاداً وفي حالة جيدة.

إحكام الإمساك بالمقبض وإذا ما تم استخدام أي ملحقات مضادة للاهتزاز والضوضاء.

استخدام الأداة في الغرض المقصود وفقاً لتصميمها وهذه التعليمات.

يمكن أن يتسبب استخدام هذه الأداة في الإصابة بمتلازمة اهتزاز اليد والذراع إذا لم يتم إدارة استخدامها بشكل مناسب.



تحذير: كي يتسنى الحفاظ على الدقة ينبغي أن يراعى تقدير مستوى التعرض في ظروف الاستخدام الفعلية لجميع أجزاء دورة التشغيل مثل الأوقات التي يتم فيها إيقاف تشغيل الأداة وعندما يتم تشغيلها عند سرعة التباطؤ مع عدم قيامها بأي مهمة بالفعل، إذ يمكن أن يؤدي هذا إلى تقليل مستوى التعرض بشكل كبير خلال فترة العمل بالكامل.

مما يساعد في تقليل مخاطر التعرض للاهتزاز والضوضاء.

استخدم دوماً أزامل ومثاقب وشفرات حادة.

ينبغي صيانة هذه الأداة وفقاً لهذه التعليمات، مع ضرورة تزيينها جيداً (حيثما يكون ملائماً).

وفي حالة استخدام الأداة بانتظام، فينبغي حينئذ شراء ملحقات مقاومة للاهتزاز والضوضاء.

ينبغي عليك تنظيم جدول عملك بحيث يتم توزيع استخدام أي أداة عالية الاهتزاز على مدار عدد من الأيام.

## الملحقات

1	ثقب الورق
1	محول فراغ
1	80 ورق صنفرة بمشيك حص
1	مربع الغبار

AR

نوصي بشراء الملحقات من المتاجر التي تباع الأدوات. لمزيد من التفاصيل، يرجى الرجوع إلى حزمة الملحقات. يمكن لموظفي المتجر المساعدة وتقديم المشورة.

### 3. إفراغ صندوق الغبار (انظر الشكل D)

لتشغيل أكثر كفاءة، قم بتفريغ صندوق الغبار كل مرة 5-10 دقيقة. سيسمح هذا للهواء بالتدفق عبر الصندوق أفضل.

لتفريغ صندوق الغبار، قم أولاً بإزالة جهاز شطف الغبار منفذ، اضغط على الزر الموجود في الجزء الخلفي من المربع لفتح ظهر الصندوق، ثم يمكنك التخلص من الغبار.

### 4. إرفاق سائدر بالفراغ (انظر الشكل E)

جهاز الصنفرة الخاص بك مزود بمحول فراغ، وهو مصممة لمهمة جمع الغبار. أدخل محول الفراغ في مخرج سحب الغبار الخلفي والتأكد من إحكامه بأمان. ثم قم بتوصيل المحول بخراطيم المكينة الكهربائية منطف.

أثناء الاستخدام، يرجى أولاً تشغيل المكينة الكهربائية، و ثم قم بتشغيل أداة الصنفرة. إذا توقفت عن الصنفرة، قم أولاً بإيقاف تشغيل سائدر، ثم أوقف تشغيل المكينة الكهربائية.

ملاحظة: يرجى دائماً توصيل المحول بـ 35 مم خرطوم فراغ.

### عملية

#### 1. تشغيل مفتاح التشغيل/الإيقاف (انظر الشكل F)

حرك مفتاح التشغيل/الإيقاف لتشغيل للأمام من أجل تشغيله، وحركه للخلف لإيقاف تشغيله.

#### 2. التحكم في السرعة المتغيرة (انظر الشكل G)

مع التحكم في السرعة المتغيرة، يمكن أن تكون السرعة المطلوبة محدد (أيضاً أثناء الجري). السرعة المطلوبة تعتمد على المادة ويجب أن تكون تحدها تجربة عملية.

#### 3. ثقب ثقب الورق (انظر الشكل H)

في حال استخدام ورقة الصنفرة بدون ثقب لإخراج الأتربة والغبار، استخدم ثقابة الورق لتثبيت الثقبات لضمان إخراج الأتربة والغبار بشكل سليم. ضع الثقابة على لوح القاعدة مع وضع جوانب الثقابة على حواف لوح القاعدة. اضغط على الثقابة في لوح القاعدة لتقب الثقبات في ورقة الصنفرة. ثم قم بإزالة الثقابة

## تعليمات التشغيل



ملاحظة: اقرأ كتيب التعليمات بعناية قبل استخدام الأداة.

### الغرض من الاستخدام

الغرض من هذه الآلة هو تنظيف الخشب، البلاستيك، الخزائن والأسطح المغطاة.

### المحجم

#### 1. تركيب ورقة الرمال (انظر الشكل A, B)

- ورق سنفرة بدون نظام خطاف وحلقة  
ارفع ذراع مشبك ورق الصنفرة وحركه بعيداً عن قفل ذراع المشبك. كرر مع رافعة المشبك الأخرى على الجانب الآخر.

أدخل حوالي 5 مم من أحد طرفي ورقة الصنفرة تحت ذراع مشبك ورق الصنفرة. ارفع الصنفرة ذراع مشبك الورق مرة أخرى وحركه مرة أخرى إلى ذراع التثبيت وضع القفل لفلل الورق. اضغط على ورق الصنفرة حول شكل لوحة القاعدة بإحكام قدر الإمكان وإصلاح الطرف الآخر من ورق الصنفرة. تحقق من ورق الصنفرة وتأكد دائماً من إحكامه لوحة القاعدة ومثبتة أسفل كل من المشابك المغطاة.

- ورق سنفرة بنظام حلقة وحلقة  
قم بمحاذاة ورق الصنفرة واضغطه مباشرة على القاعدة لوحة باليد. اضغط بقوة على أداة الصنفرة بالصنفرة الورق على سطح مستو لضمان تأمين الورق. يجب أن تكون الثقب الموجودة على ورق الصنفرة ولوحة القاعدة تتماشى بشكل جيد.

#### 2. تركيب وفك صندوق الغبار (انظر الشكل C)

إلى الصنفرة الخاصة بك مزودة بصندوق غبار. للإرفاق، أدخل ملف صندوق الغبار في منفذ شطف الغبار الخلفي حتى يتم تأمينه. للإزالة، اضغط على ذراع التحرير (a) على جانبي صندوق الغبار وحرك صندوق الغبار للخارج.

تنبيه: لا تحاول استخدام أداة الصنفرة بدون تركيب صندوق جمع الأتربة والغبار بشكل سليم لمنع احتمالية وصول الأتربة والغبار الناتج عن الصنفرة أو الجسميات الغريبة إلى وجهك أو عينيك.






جب عدم التخلص من نفايات المنتجات الكهربائية مع النفايات المنزلية. يُرجى إعادة التدوير في الأماكن المخصصة لإعادة التدوير. ارجع إلى السلطات المحلية أو بائع التجزئة للحصول على نصائح بخصوص إعادة التدوير.

## قائمة المكونات

1. التحكم في السرعة المتغيرة
2. مفتاح تشغيل / إيقاف
3. منطقة قبضة اليد
4. صندوق الغبار
5. رملي مشبك الورق ليفر
6. قفل الرافعة
7. لوحة قاعدة الألمنيوم
8. ثقب ثقب الورق
9. ورق رملي
10. محول الفراغ
11. منفذ استخراج الغبار (انظر الشكل C)

## معلومات تقنية

اكتب (45 DX45 تسمية للالات ، ممثل صنفرة التشطيب)

220-240V~50/60Hz	تصنيف الجهد (الفولطية)
240W	الطاقة المزودة
6000-11000/min	لا توجد سرعه تحميل
 /II	فئة الحماية
90*187mm	حجم القاعدة
1.6mm	القطر المداري
1.63kg	وزنالماكينة

## معلومات الضوضاء

$L_{pA}$ : 78 dB (A)	ضغط الصوت المرجح
$L_{WA}$ : 89 dB (A)	قوة الصوت المرجحة
3.0 dB (A)	$K_{pA}$ & $K_{WA}$
	ارتداء واقي حماية الأذن.

## معلومات الاهتزاز

تتم تحديد القيم الإجمالية للاهتزاز (الجمع المتجهي ثلاثي المحاور) وفقاً للمعيار EN 62841 :	
$a_h = 6,0 \text{ m/s}^2$	قيمة انبعاثات الاهتزازات
عامل اللاتيين $K = 1.5 \text{ m/s}^2$	



## التعليمات الأصلية

### سلامة المنتج

## تحذيرات السلامة العامة الخاصة بالأداة الكهربائية

تحذير أقرأ جميع تحذيرات السلامة والتعليمات والرسوم التوضيحية والموصفات المتوفرة مع هذه الأداة. قد يؤدي عدم اتباع جميع التعليمات المذكورة أدناه إلى حدوث صدمة كهربائية/ أو حريق و/ أو إصابة خطيرة.



### احتفظ بجميع التحذيرات والتعليمات للرجوع إليها لاحقاً.

يشير مصطلح "الأداة الكهربائية" الواردة في التحذيرات إلى الأداة الكهربائية (السلكية) التي تعمل بالتيار الكهربائي أو الأداة (اللاسلكية) التي تعمل بالبطارية.

### 1) سلامة مكان العمل

- أ) حافظ على نظافة مكان العمل وإضامته جيداً. ذلك أن الأماكن غير النظيفة أو المظلمة تعجل بوقوع الحوادث.
- ب) لا تشغل الأدوات الكهربائية في بيئات تبعث على الانفجار، مثل: البيئات التي توجد فيها سوائل أو غازات قابلة للاشتعال أو غير. تحدث الأدوات الكهربائية الشرر الذي قد يشعل الغبار أو الأبخرة.
- ج) قم بإبعاد الأطفال والمارة مسافة آمنة بعيداً عن الأداة الكهربائية أثناء تشغيلها. فقد تتسبب عوامل التشنيت في فقدانك السيطرة على الأداة الكهربائية.

### 2) السلامة الكهربائية

- أ) يجب أن تتوافق قوايس الأداة الكهربائية مع المقيس، لا تقم بإجراء أي تعديلات على القابس بأي حال من الأحوال، وتجنب استخدام أي قوايس مهيأة مع الأدوات الكهربائية (المؤرضة)، حيث ستعمل القوايس غير المَعُدَّة والقابسات المتطابقة على تقليل مخاطر حدوث الصعق الكهربائي.
- ب) تجنب أي اتصال جسدي بالأسطح الموصولة بالأرض أو المؤرضة، مثل: الأثاث والمشاع والموافق والتلاجت. حيث تزداد خطورة الصعق الكهربائي في حال تأريض جسلك.
- ج) لا تعرض الأدوات الكهربائية للأعطر أو الرطوبة، حيث سيؤدي الماء الذي يدخل إلى الأداة الكهربائية إلى زيادة مخاطر حدوث الصعق الكهربائي.

- د) تجنب إساءة استخدام السلك، وتجنب استخدامه في حمل الأداة الكهربائية، أو شدّها، أو فصلها. احتفظ بالسلك بعيداً عن الحرارة، والزيوت، والحواف الحادة، والأجزاء المتحركة، نظراً لأن الأسلاك التالفة أو المتشابكة تتسبب في زيادة خطورة الصعق الكهربائي.
- هـ) عند تشغيل الأداة الكهربائية في الخارج، استخدم سلك إطلالة مناسب للاستخدام الخارجي، فاستعمال سلك مناسب للاستخدام الخارجي يقلل مخاطر حدوث الصعق الكهربائي.
- و) إذا كان لا بد من تشغيل الأداة الكهربائية في مكان رطب، فعليك استخدام مصدر إمداد حمى بجهاز يعمل بالتيار المتبقّي. استخدام جهاز الحماية من التيار المتبقّي يحد من مخاطر حدوث الصعق الكهربائي.

### 3) السلامة الشخصية

- أ) كن حذراً ولاحظ ما تقوم به واستخدم الحس السليم عند تشغيل الأداة الكهربائية، لا تستخدم الأداة إذا كنت تشعر بالتعب أو كنت تحت تأثير المخدرات، أو الكحول، أو العقاقير. قد تتعرض لإصابة شخصية بالغة إذا غفلت بولو للحظة أثناء تشغيل الأدوات الكهربائية.
- ب) استخدم معدات الحماية الشخصية. احرص دائماً على ارتداء واقي العينين. إن استخدام معدات الحماية مثل: القناع الواقي من الغبار، وأذنية السلامة المقاومة للاهتزاز، والقبععة الصلبة، وواقي الأذنين. في الظروف الملائمة يقلل من حدوث إصابات شخصية.
- ج) امنع التشغيل غير المفصود. وتأكد أن المفتاح في وضع إيقاف التشغيل قبل التوصيل بمصدر الطاقة و/ أو مجموعة البطاريات، وكذلك قبل رفع الأداة أو حملها. تجدر الإشارة إلى أن الحوادث تنشأ عند حمل الأدوات الكهربائية ووجود الإصبع على المفتاح، أو تشغيل الأدوات الكهربائية التي يوجد بها مفتاح في وضع التشغيل.
- د) أزل أي مفتاح ضبط أو مفتاح ربط قبل تشغيل الأداة الكهربائية. قد يتسبب مفتاح الربط أو مفتاح الضبط المتصل بأحد الأجزاء المتحركة للأداة الكهربائية في حدوث إصابة شخصية.
- هـ) لا تلمس يدك إلى الأجزاء البعيدة عن متناولك. وقف ثابتاً، وحافظ على توازنك؛ مما يساعدك في التحكم بشكل أفضل في الأداة الكهربائية في المواقف غير المتوقعة.

- أ) ارتد ملابس مناسبة، وتجنّب ارتداء ملابس فضفاضة أو مجوهرات. أبعِد شعرك وملابسك عن الأجزاء المتحركة. من الممكن أن تتحسّر الملابس الفضفاضة، أو المجوهرات، أو الشعر الطويل في الأجزاء المتحركة.
- ب) في حال توفير أجهزة لتوصيل أدوات شفط الغبار وتجميعه، تأكد من توصيل هذه الأدوات واستخدامها بشكل سليم. قد يساعد استخدام أداة تجميع الغبار في تقليل المخاطر المرتبطة بالغبار.
- ج) لا تدخ عيتيك استخدام الأدوات الكهربائية بصفة دورية يجعلك تنهار أو تتجاهل تطبيق مبادئ السلامة الخاصة بالأدوات الكهربائية. فقد يتسبب الإهمال واللامبالاة في حدوث إصابات بالغة في جزء من الثانية.

### 4) استخدام الأداة الكهربائية والتعليمات بها

- أ) لا تضغط على الأداة الكهربائية، واستخدم الأداة التي تناسب عمك. يساعد اختيار الأداة الكهربائية المناسبة في تنفيذ العمل بشكل أفضل وأكثر أماناً بنفس المعدل الذي صُممت من أجله.
- ب) لا تستخدم الأداة الكهربائية إذا لم يعمل المفتاح على تشغيلها وإيقاف تشغيلها. ينتج عن الأداة الكهربائية التي لا يمكن التحكم فيها مخاطر عظيمة؛ لذا يتعين إصلاحها.
- ج) افصل القابس من مصدر الطاقة و/ أو مجموعة البطارية من الأداة الكهربائية قبل إجراء أي تعديلات، أو تغيير الملحقات، أو تخزين الأدوات الكهربائية. تعمل تدابير السلامة الوقائية هذه على تقليل المخاطر الناتجة عن بدء تشغيل الأداة الكهربائية دون قصد.
- د) خزن الأدوات الكهربائية المعطلة بعيداً عن متناول الأطفال ولا تسمح للأشخاص الذين لم يكن لديهم دراية وخبرة في التعامل مع الأداة الكهربائية بهذه التعليمات بتشغيل الأداة الكهربائية. تنسّم الأدوات الكهربائية بالخطورة عند تشغيلها من قِبَل مستخدمين غير مدربين.
- هـ) حافظ على الأدوات الكهربائية. وتحقق من عدم عوجاج أو انحناء الأجزاء المتحركة وكسر الأجزاء وأي وضع آخر قد يؤثر سلباً على تشغيل الأدوات الكهربائية. قد يسهل إصلاح الأداة الكهربائية قبل استخدامها إذا كانت تالفة. فالعديد من الحوادث تنشأ بسبب سوء صيانة الأدوات الكهربائية.
- و) حافظ على حدة أدوات القطع ونظافتها. تجدر الإشارة إلى أن أدوات القطع التي تم صيانتها بعناية شديدة والتي تمتلك حواف حادة للقطع نادرًا ما تتوقف عن العمل، ويسهل التحكم فيها.
- ز) استخدم الأداة الكهربائية والملحقات ولقم الأداة بما يتوافق مع هذه التعليمات، مع الأخذ بعين الاعتبار ظروف العمل والعمل المقرر تنفيذه. قد يؤدي استخدام الأداة الكهربائية في عمليات مختلفة عن العمليات المخصصة لها إلى التعرض لمواقف خطيرة.
- ح) استخدم الملابس الجافة ونظيفة وخالية من أي زيت أو شحم. لا تسمح للأسطح والمباض الزلّقة بالسيطرة والتحكم الآمن في الأداة خاصة في المواقف غير المتوقعة.

### 5) الصيانة

- أ) عليك بإصلاح الأداة الكهربائية من قبل فني إصلاح مؤهل باستخدام قطع الغيار المماثلة فقط، مما يضمن الحفاظ على سلامة الأداة الكهربائية.

## الرموز



لتقليل مخاطر الإصابة، يجب على المستخدم قراءة دليل التعليمات



مذكّرة قانونية



ارتداء غطاء للأذنين



ارتد نظارات واقية



ارتدي قناع الغبار



عمل مزدوج



AR





# CAT<sup>®</sup>



[www.catpowertools.com](http://www.catpowertools.com)



©2023 Caterpillar. CAT, CATERPILLAR, their respective logos, "Caterpillar Yellow," the "Power Edge" trade dress as well as corporate and product identity used herein, are trademarks of Caterpillar and may not be used without permission. Positec Group Limited, a licensee of Caterpillar Inc

AR01714900