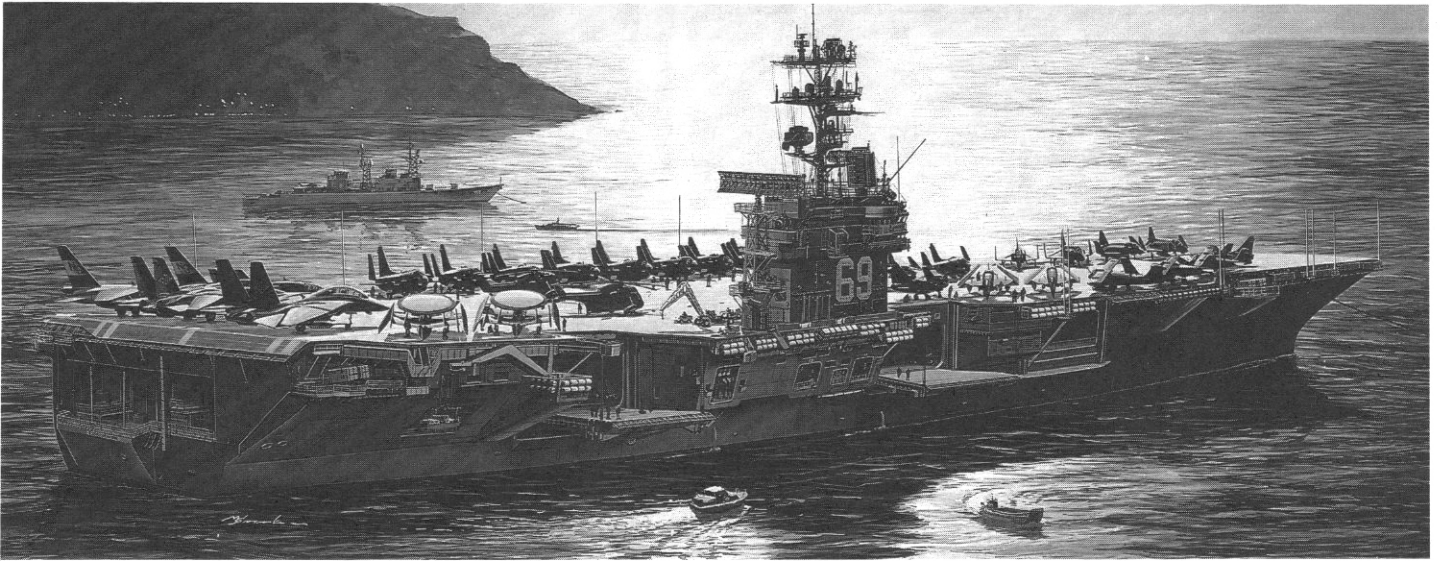


ACADEMY

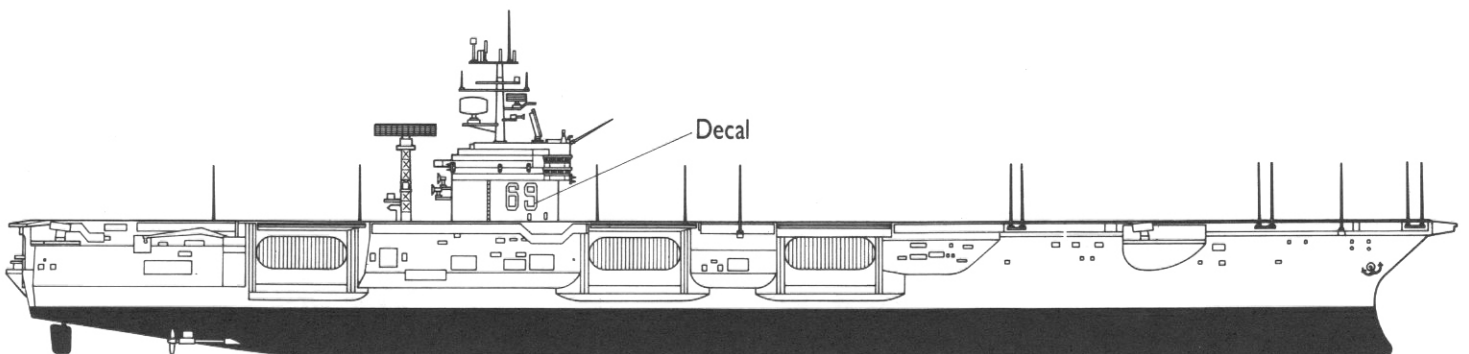
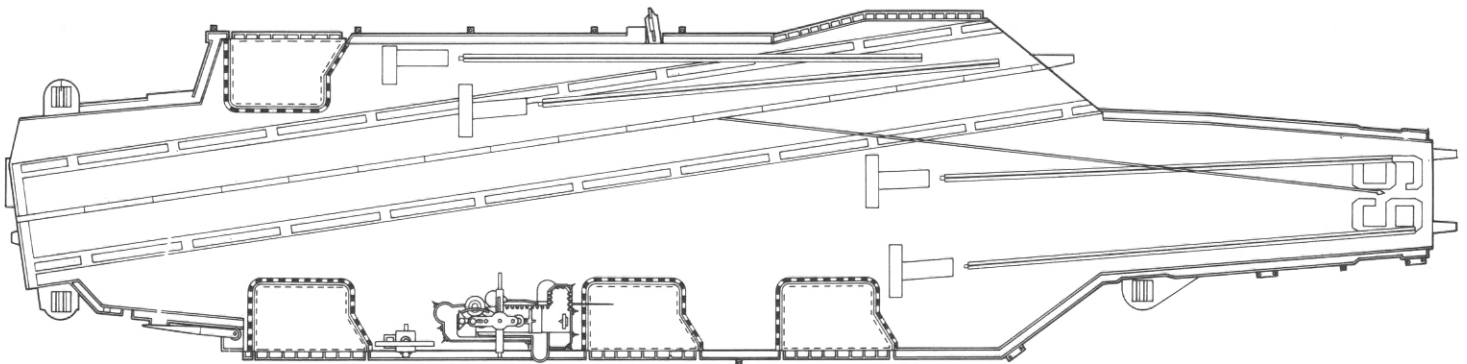
HOBBY MODEL KITS

CVN-69 USS EISENHOWER

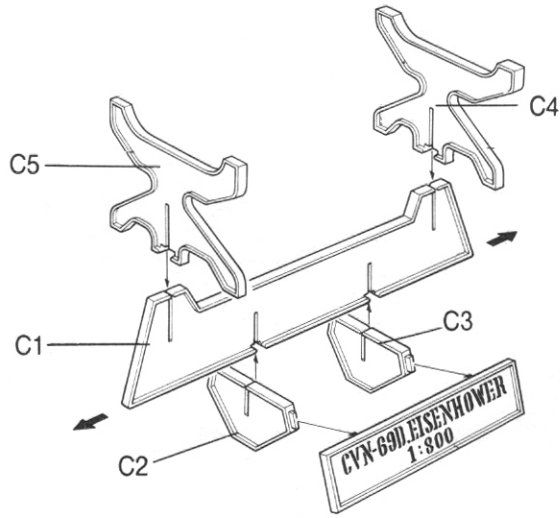


1/800 Scale

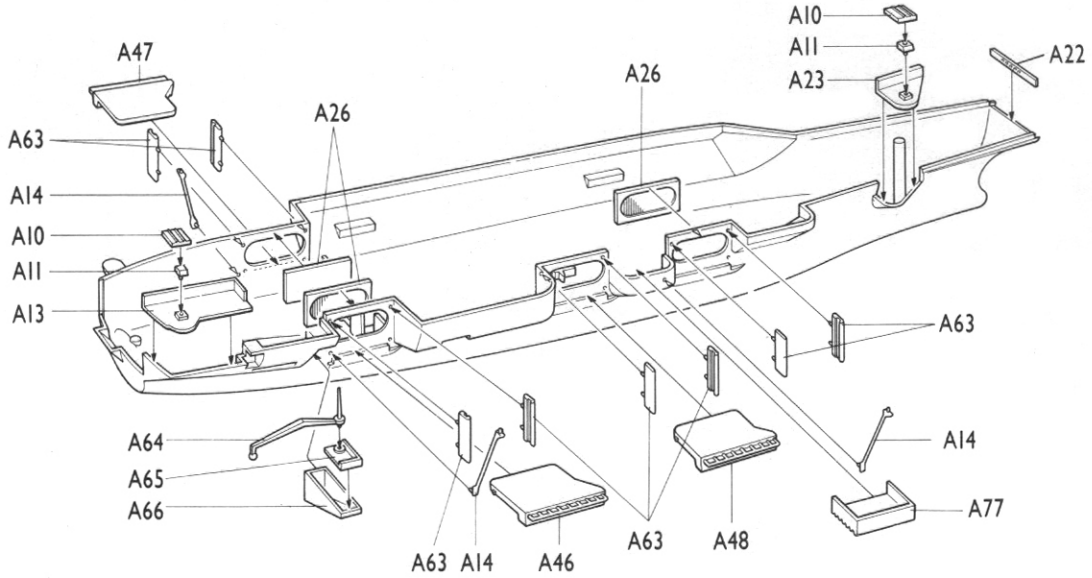
PAINTING AND DECAL PLACEMENT



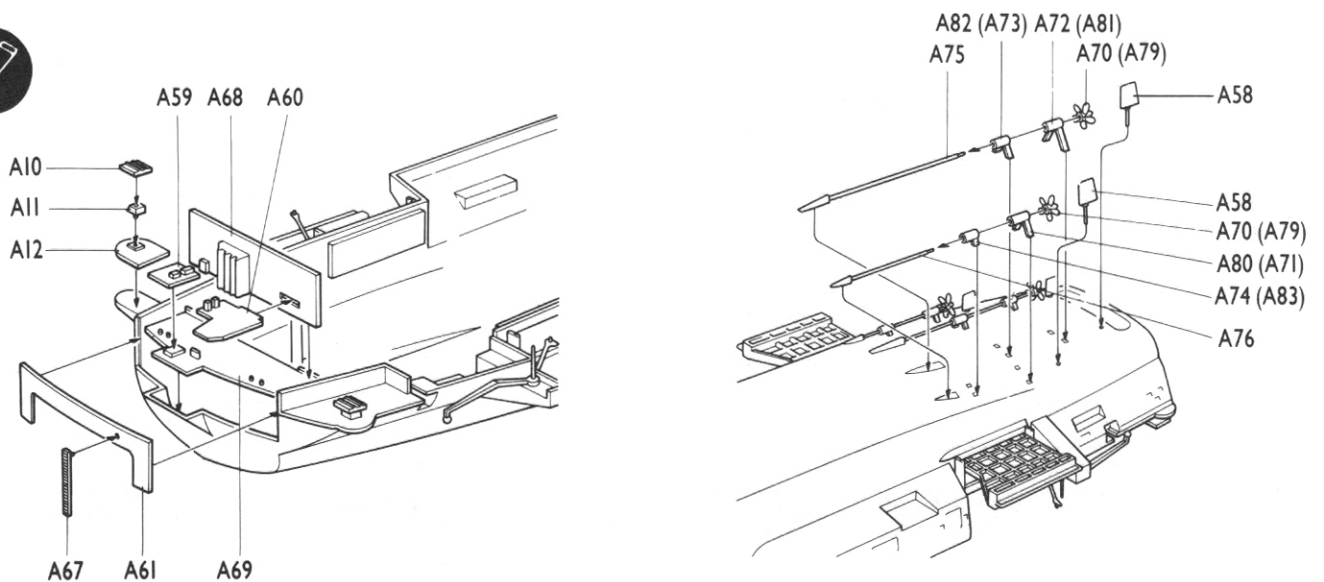
1 DISPLAY STAND ASSEMBLY



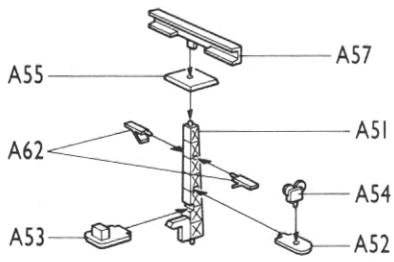
2 HULL ASSEMBLY



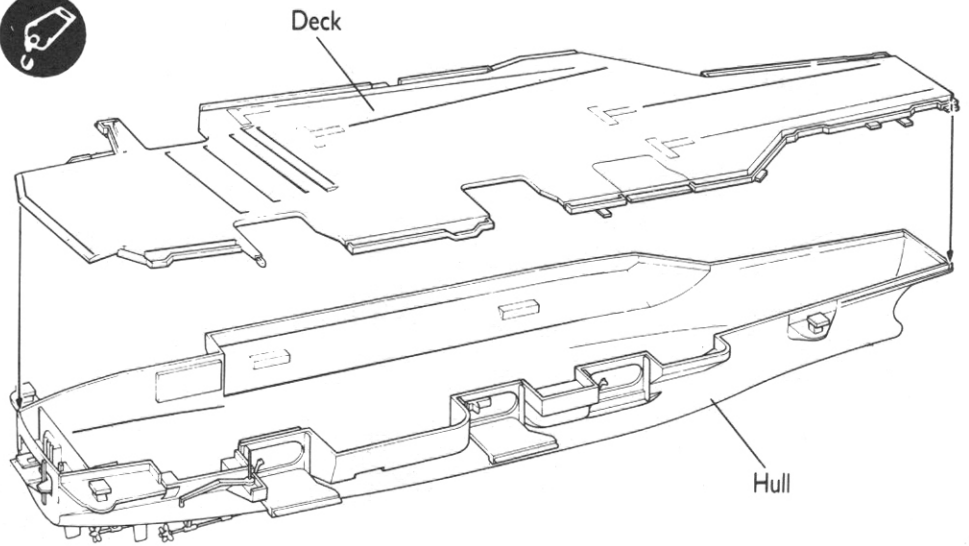
3 STERN PARTS INSTALLATION



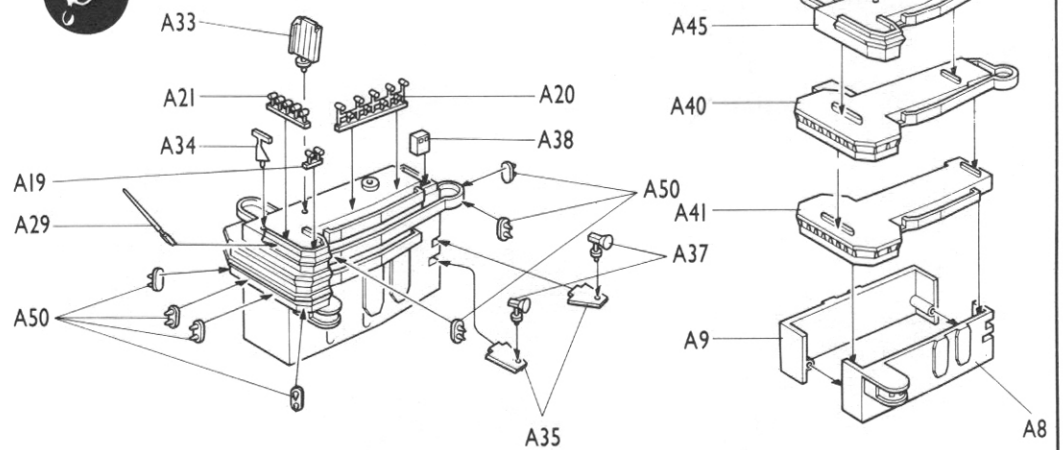
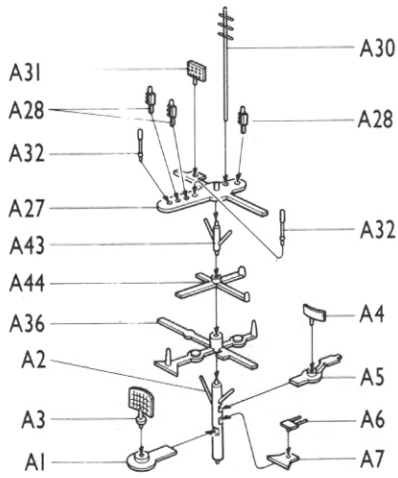
5 MAST AND RADAR ASSEMBLY



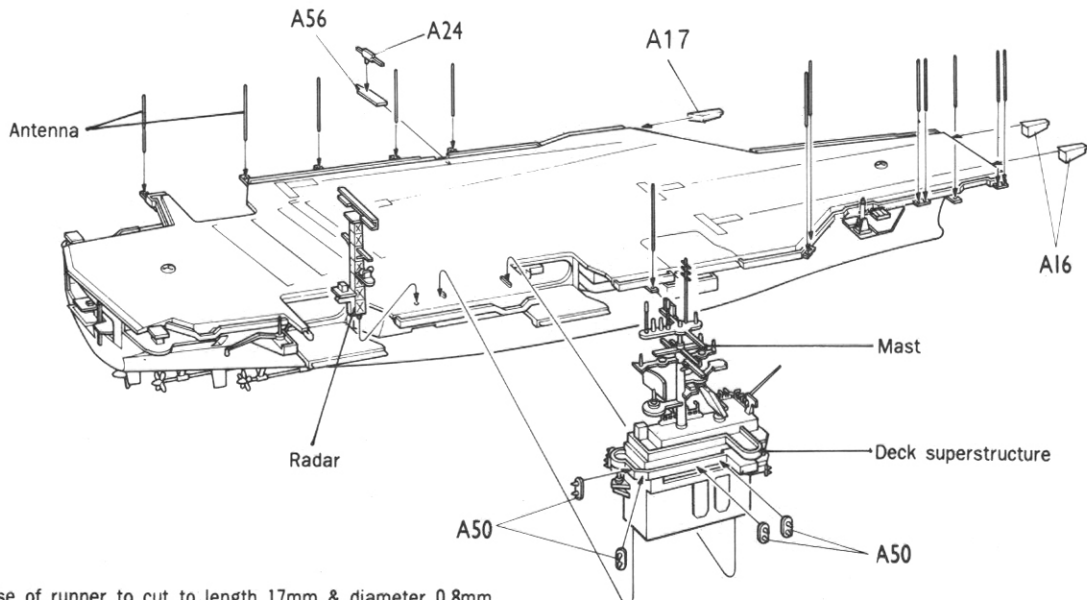
4 DECK INSTALLATION



6 DECK SUPERSTRUCTURE ASSEMBLY

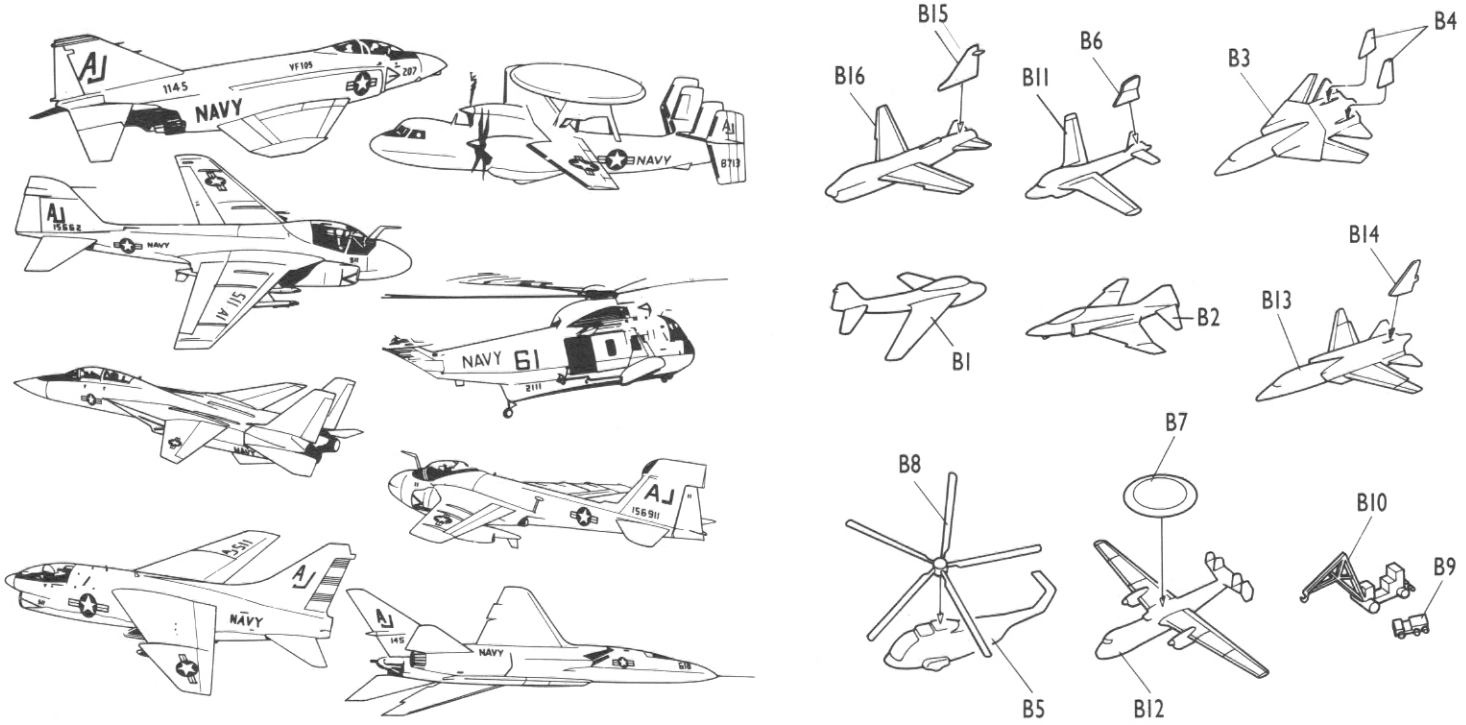


7 SUPERSTRUCTURE INSTALLATION

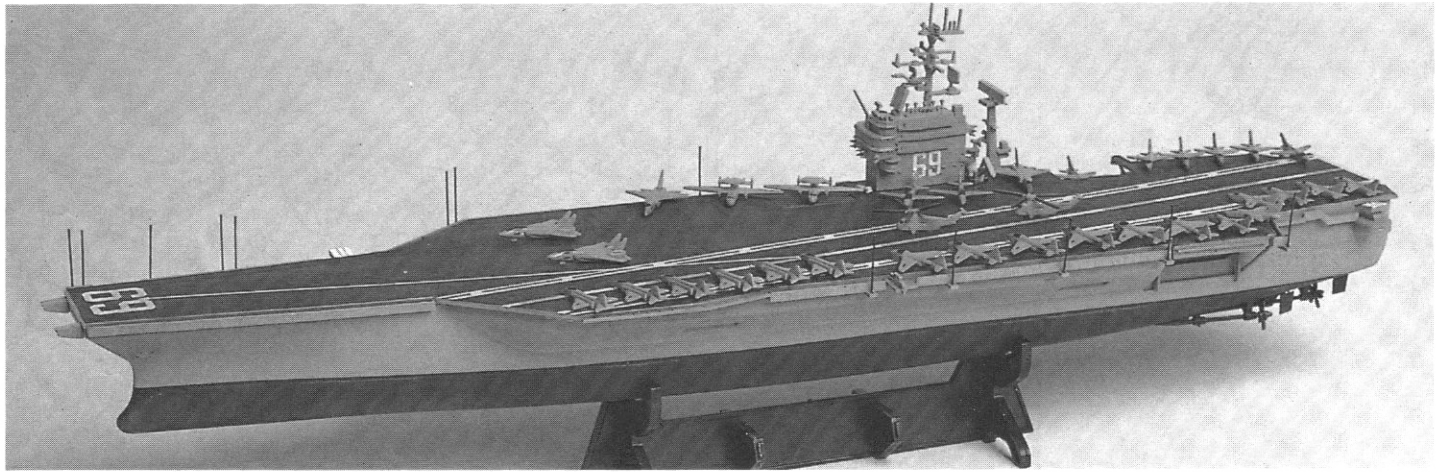


* Antenna : Make use of runner to cut to length 17mm & diameter 0.8mm.

8 DECK AIRCRAFT ASSEMBLY



AIRCRAFT POSITIONING



- 

Cement Parts
Coller
Kleben
Pegar
Incollare
Colar
Kleven
- 

DO NOT cement
Ne pas coller
Nicht kleben
No pegar
Non incollare
Nao colar
Niet kleven
- 

Cut away
Couper
Scheiden
Cortar
Tagliare
Cortar
Snijden
- 

Optional parts
Choix
Auswahlmöglichkeit
Eleccion
Scelta
Opcao
Keuze
- 

3
Repeat operation
Répéter l'opération
Repitir la operacion
Repitire
Repitir a operação
Herhalen

PARTS LOCATOR

1/440

