

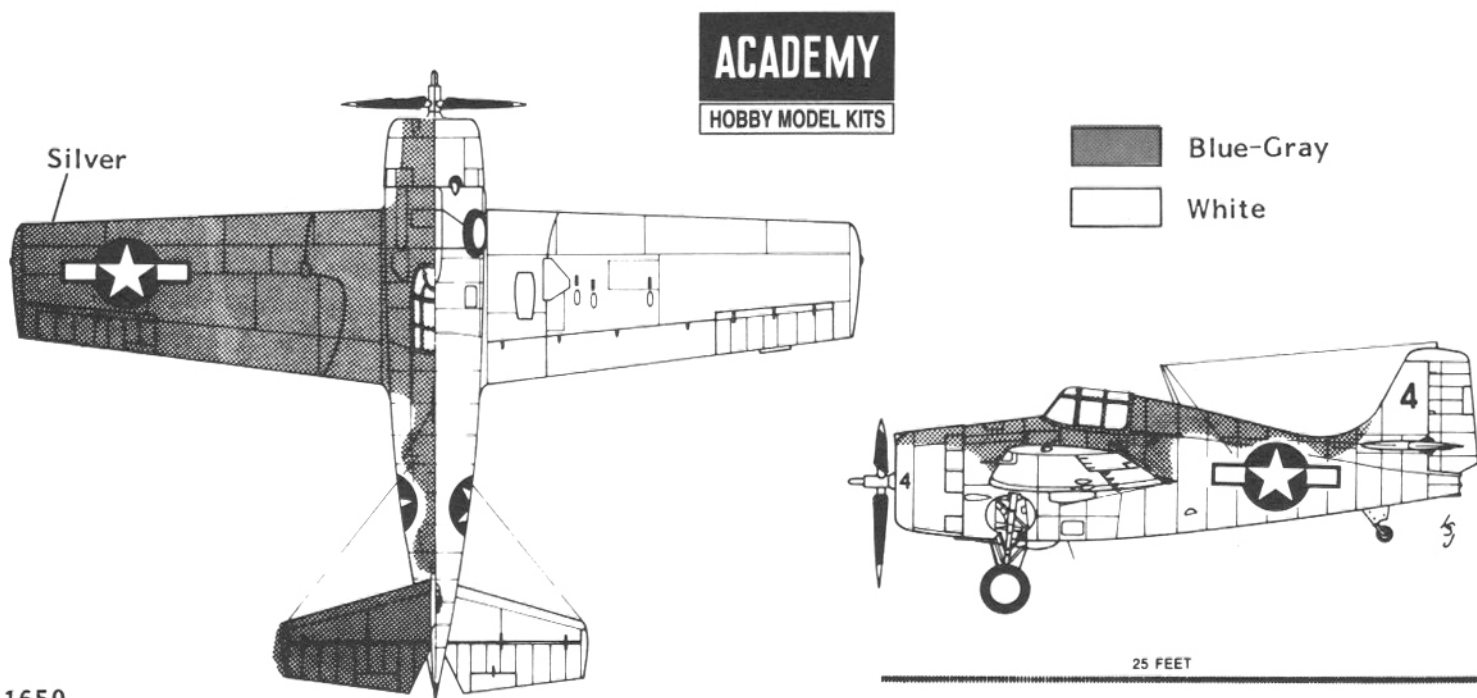
1/72 scale GRUMMAN F4F-4 WILDCAT

When the Japanese attacked the United States in 1941, the most modern fighter in the Navy was the Grumman F4F Wildcat. Although the Wildcat was small, it was not as fast or maneuverable as the Japanese Zero fighter, but it was a very durable machine. However, in the hands of an experienced pilot, the Wildcat could best the feared Zero and the little Grumman fighter held its own against the enemy until the more powerful Hellcat was available about a year later.

Several Navy pilots became aces in the little Wildcat, among them Lt. "Butch" O'Hare. Other pilots used their F4F's to sink Japanese submarines and one even sent an enemy cruiser to the bottom.

The Wildcat proved itself during the war, and even with the Hellcat entering service, production of the F4F continued, although they were built by General Motors after the middle of 1943. When production ended in 1945, a total of 7,815 of the stubby fighters had been completed.

The Wildcat had a top speed of 320 mph at 18,800 feet. It was armed with six .50 cal machine guns, and could carry bombs and, in later versions, five inch rockets. Your Minicraft Academy model depicts a General Motors Wildcat in the unique gray and white Sea Search color scheme used by patrolling Wildcats in search of enemy shipping.





Cement Parts
 Coller
 Kleben
 Pegar
 Incollare
 Colar
 Kleven



DO NOT cement
 Ne pas coller
 Nicht kleben
 No pegar
 Non incollare
 Não colar
 Niet kleven



Cut away
 Couper
 Scheiden
 Cortar
 Cortar
 Tagliare
 Cortar
 Snijden

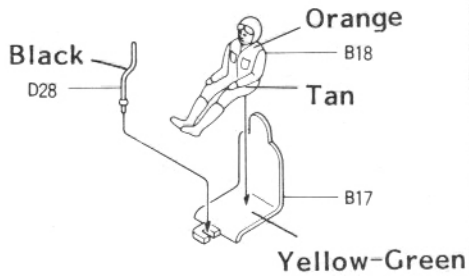


Optional parts
 Choix
 Auswahlmöglichkeit
 Eleccion
 Scelta
 Opcao
 Keuze

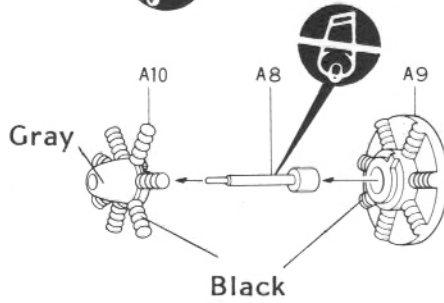


3
 Repeat operation
 Répéter l'opération
 Vorgang wiederholen
 Repetir la operación
 Ripetere
 Repetir a operação
 Herhalen

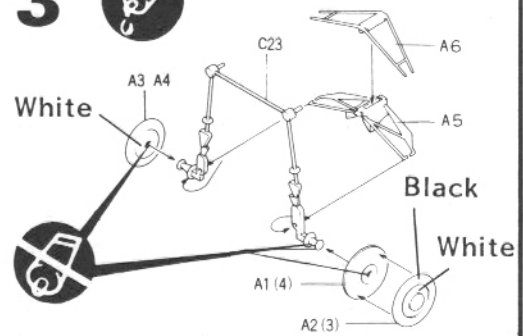
1



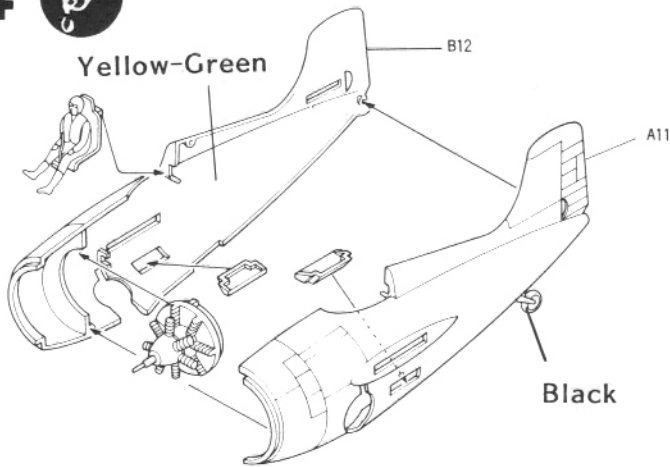
2



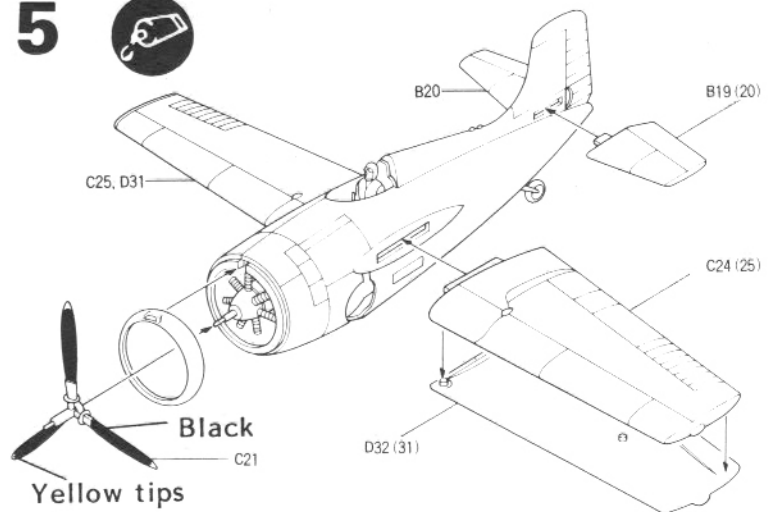
3



4



5

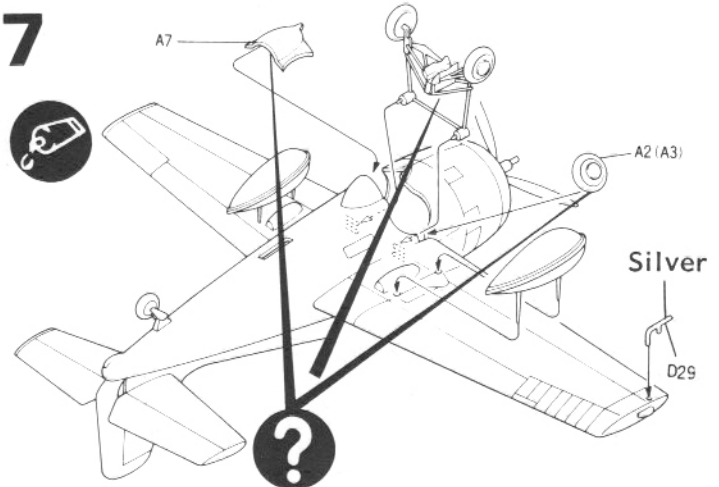


6

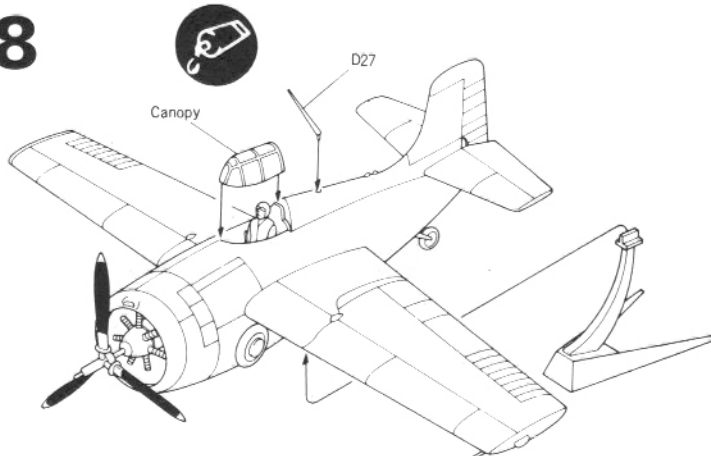
Stand assembly



7



8



1650

ACADEMY

HOBBY MODEL KITS

ACADEMY
 HOBBY MODEL KITS

ACADEMY
 ACADEMY PLASTIC MODEL CO., LTD.
 521-1, Yonghyeon-dong, Uijeongbu-si Gyeonggi-do, Korea
 고경남빌딩 521-1 080-969-7000