

ACADEMY

HOBBY MODEL KITS

FINNISH AIR FORCE MiG 21 *Fishbed* 1/72 scale

Russia's MiG 21 Fishbed fighter has become one of the most-produced jet fighters in history. Over 10,000 of the delta-winged fighters have been built by 1985, with production still continuing for foreign customers. In addition, India and China produce versions of the plane for their own use.

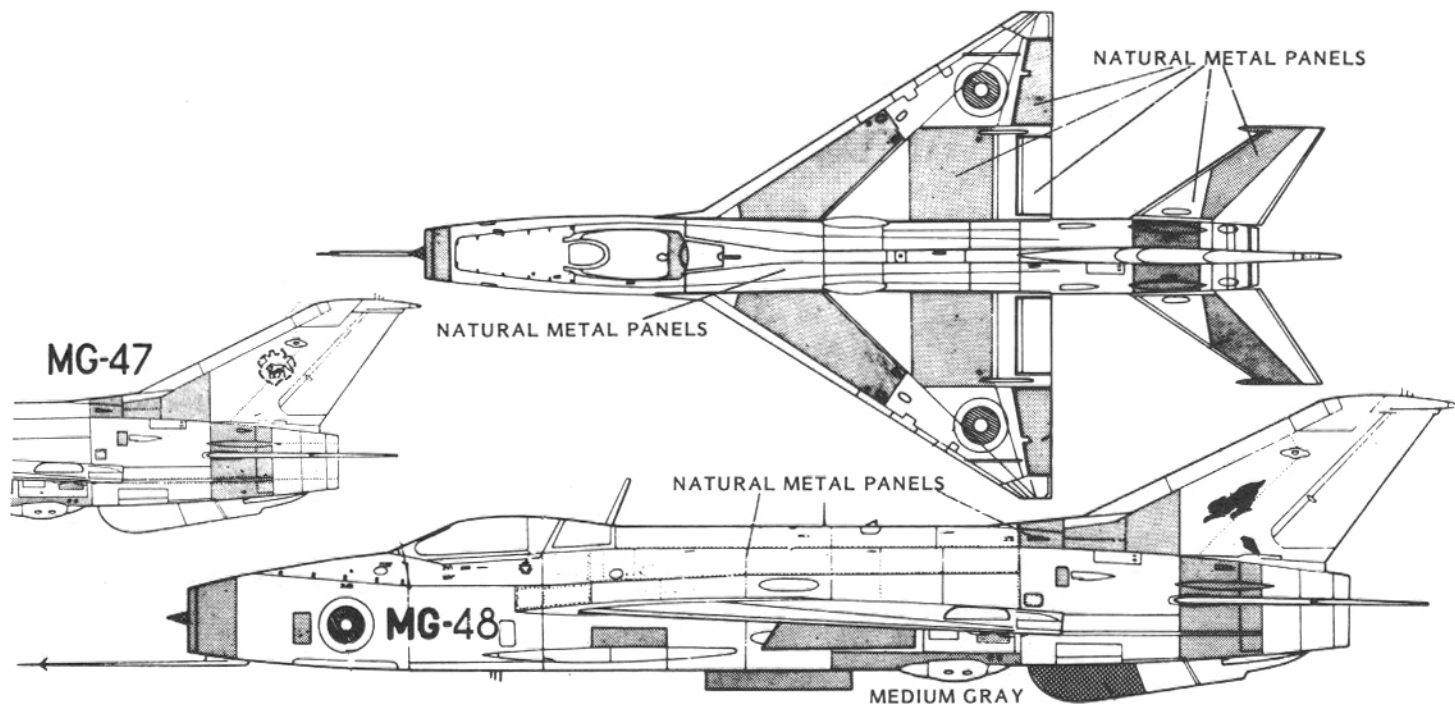
The MiG 21 is one of those unique planes whose versatility has insured its longevity. Using a small delta wing instead of swept wings, the Fishbed has adequate wing area without wide-spanned wings. This aids the plane in reaching its top speed of 1,285 mph, or Mach 2.1. The small wing also contributes to the remarkable maneuverability of the fighter.

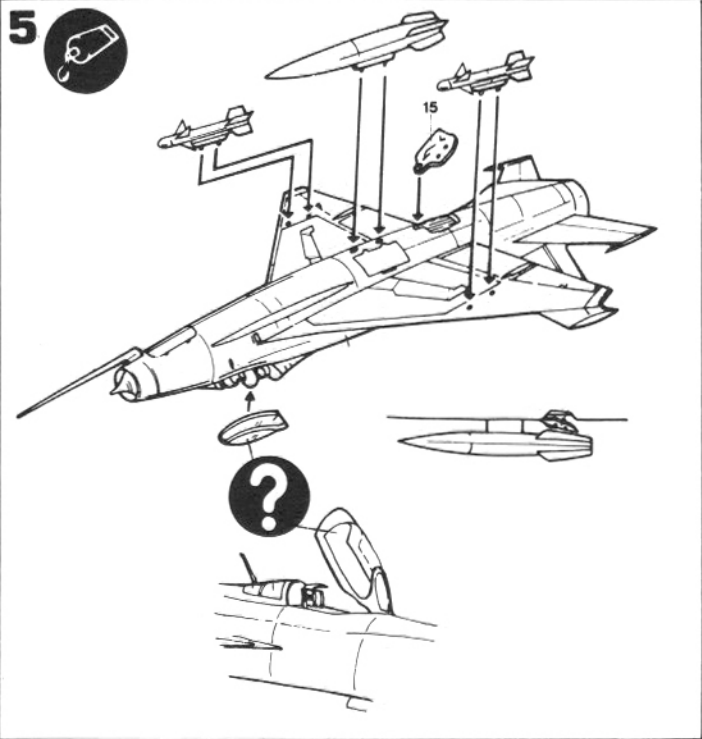
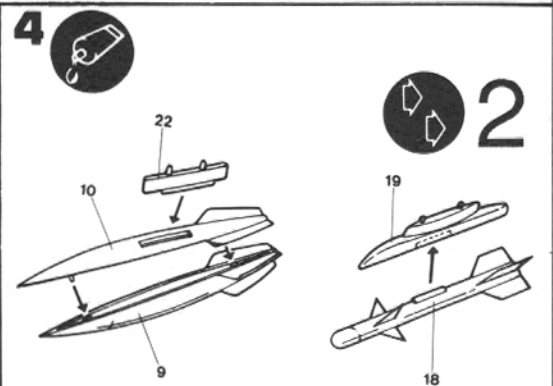
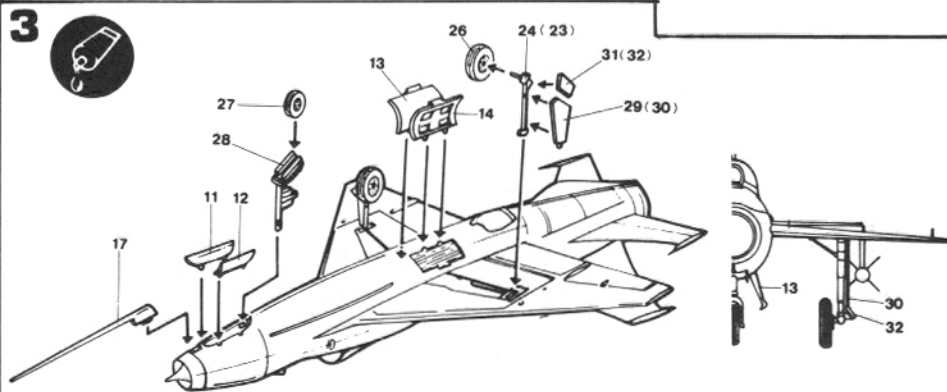
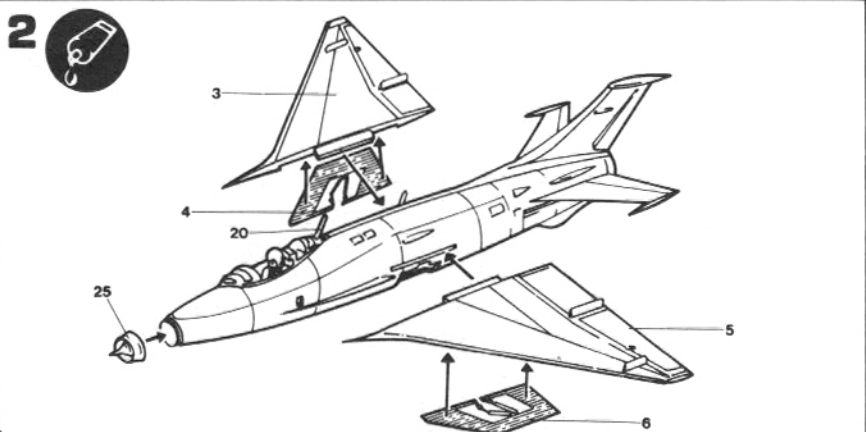
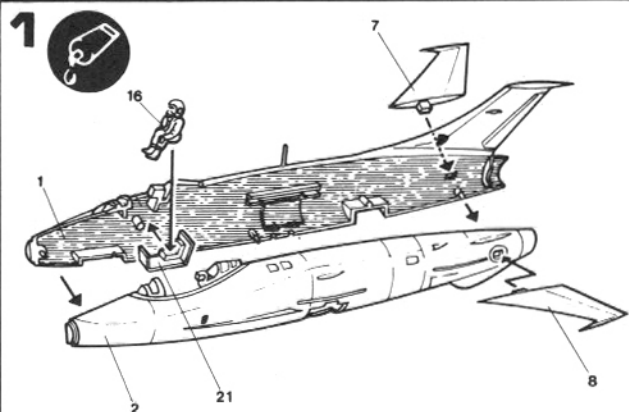
The short wingspan does limit the amount of underwing hardpoints, however, and the Fishbed can carry only a relatively limited

amount of weaponry at one time. However, as a fighter, this is not necessarily a disadvantage since it carries at least one 23 mm gun and can mount up to four air-to-air missiles, plus a fuselage centerline fuel tank. Ironically, some of the Russian-built MiG 21's are modified to carry the American AIM-9 Sidewinder missiles in countries, such as Egypt, where the planes operate alongside more modern F-16's, and in India

With the quantity of the MiG 21 Fishbed fighters in service today, this plane is clearly going to remain in service well into the next century.

Finland is one of the foreign customers for the MiG 21, and this kit provides the markings for planes of two of their fighter squadrons.





Cement Parts
Coller
Kleben
Pegar
Incollare
Colar
Kleven



DO NOT cement
Ne pas coller
Nicht kleben
No pegar
Non incollare
Não colar
Niet kleven



Cut away
Couper
Scheiden
Cortar
Tagliare
Cortar
Snijden



Optional parts
Choix
Auswahlmöglichkeit
Eleccion
Scelta
Opcao
Keuze



Repeat operation
Répéter l'opération
Vorgang wiederholen
Repitir la operacion
Ripetere
Repitir a operação
Herhalen