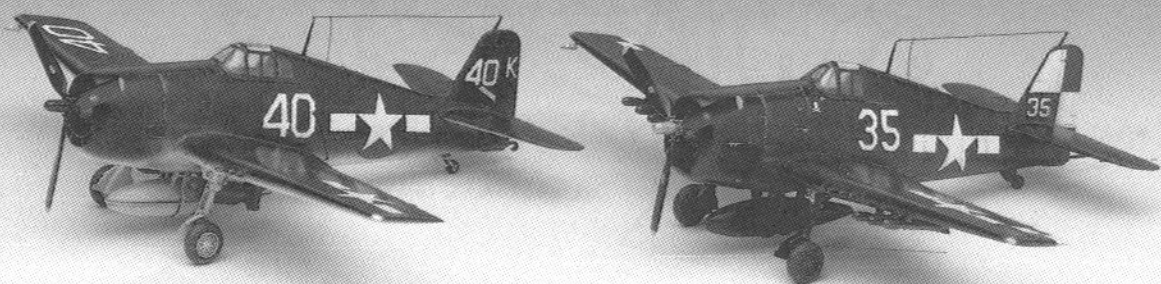


# F6F-3/5 HELLCAT

ACADEMY  
HOBBY MODEL KITS



## 1/72nd SCALE

Of the 6,477 Japanese aircraft shot down by US Navy pilots in World War II, 5,156 were accounted for by the F6F Hellcat. Prior to its operational debut in 1943, the Navy Wildcats often were no match for the nimble Japanese Zero-Sen. The Hellcat, with its speed, armor and heavy armament changed all that, becoming the dominant fighter of the era.

A total of 12,275 Hellcats of all varieties were manufactured before production ceased in August 1945. Used in reserve squadrons for many years after 1945, the Hellcats even served in the Korean War as remote-controlled flying bombs against North Korean ground targets.

The F6F-5 Hellcat, produced in larger numbers than any other variant had a wingspan of 13.05 meters, a length of 10.23 meters and a height of 3.99 meters. Its maximum speed was 380 mph at 23,400 feet; landing speed was 88 mph. The F6F was armed with six .50 cal machine guns or four 20mm cannon. Two 1,000 pound bombs could be carried under the wings.



Cement Parts  
Coller  
Kleben  
Peggar  
incollare  
Colar  
Kleven



DO NOT cement  
Ne pas coller  
Nicht kleben  
No pegar  
Non incollare  
Nao colar  
Niet kleven



Cut away  
Couper  
schneiden  
Cortar  
Tagliare  
Cortar  
Snyden



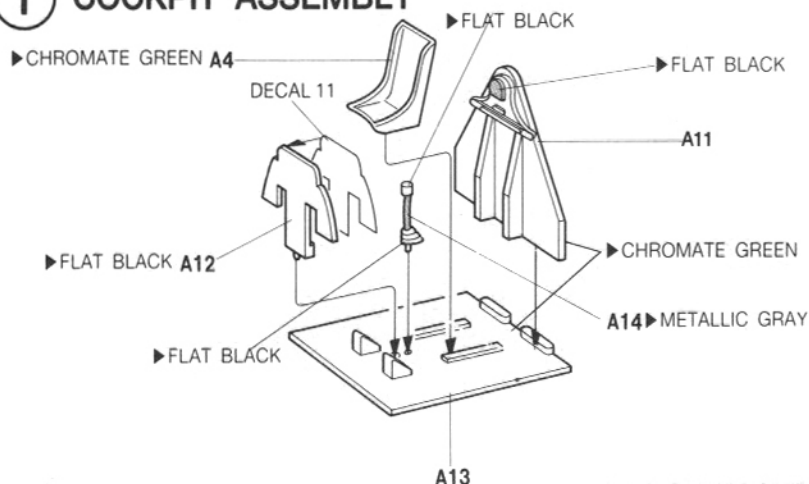
Optional parts  
Choix  
Auswahlmöglichkeit  
Eleccion  
Scelta  
Opcao  
Keuze



**3**

Repeat operation  
Répéter l'opération  
Vorgang wiederholen  
Repetir la operación  
Ripetere  
Repôr a operação  
Herhalen

# 1 COCKPIT ASSEMBLY

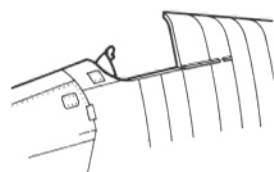


※ INTERIOR: CHROMATE GREEN  
FS 34151

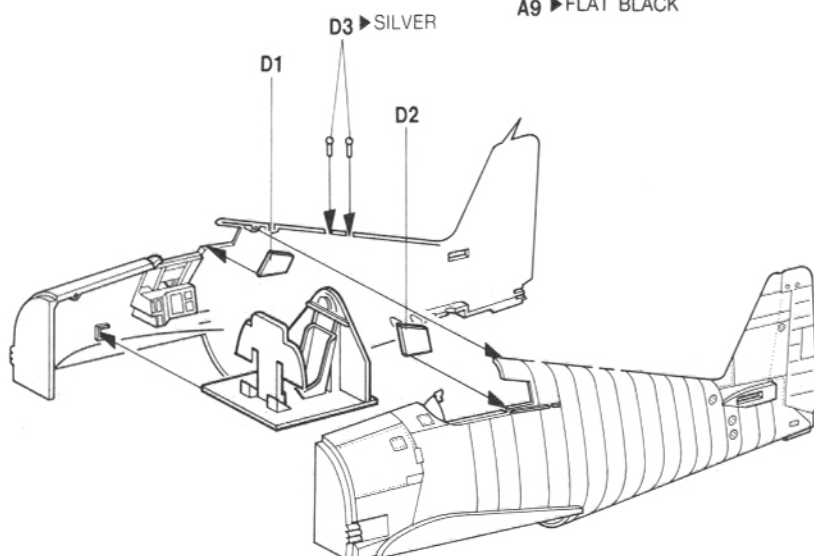
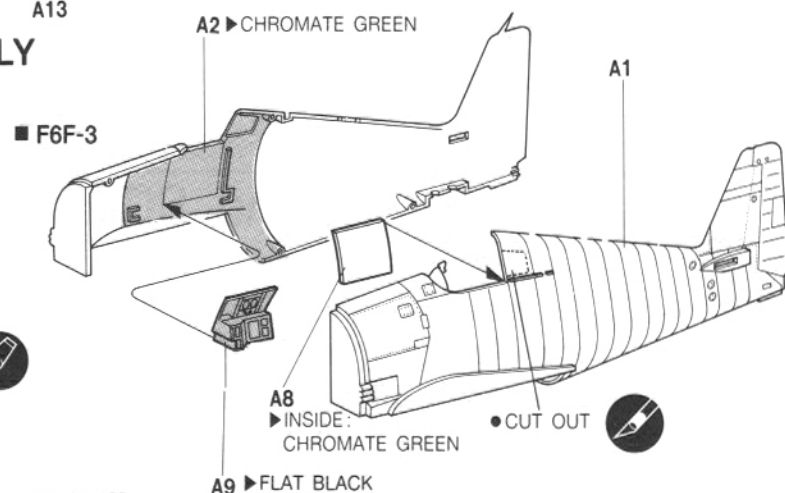


# 2 FUSELAGE ASSEMBLY

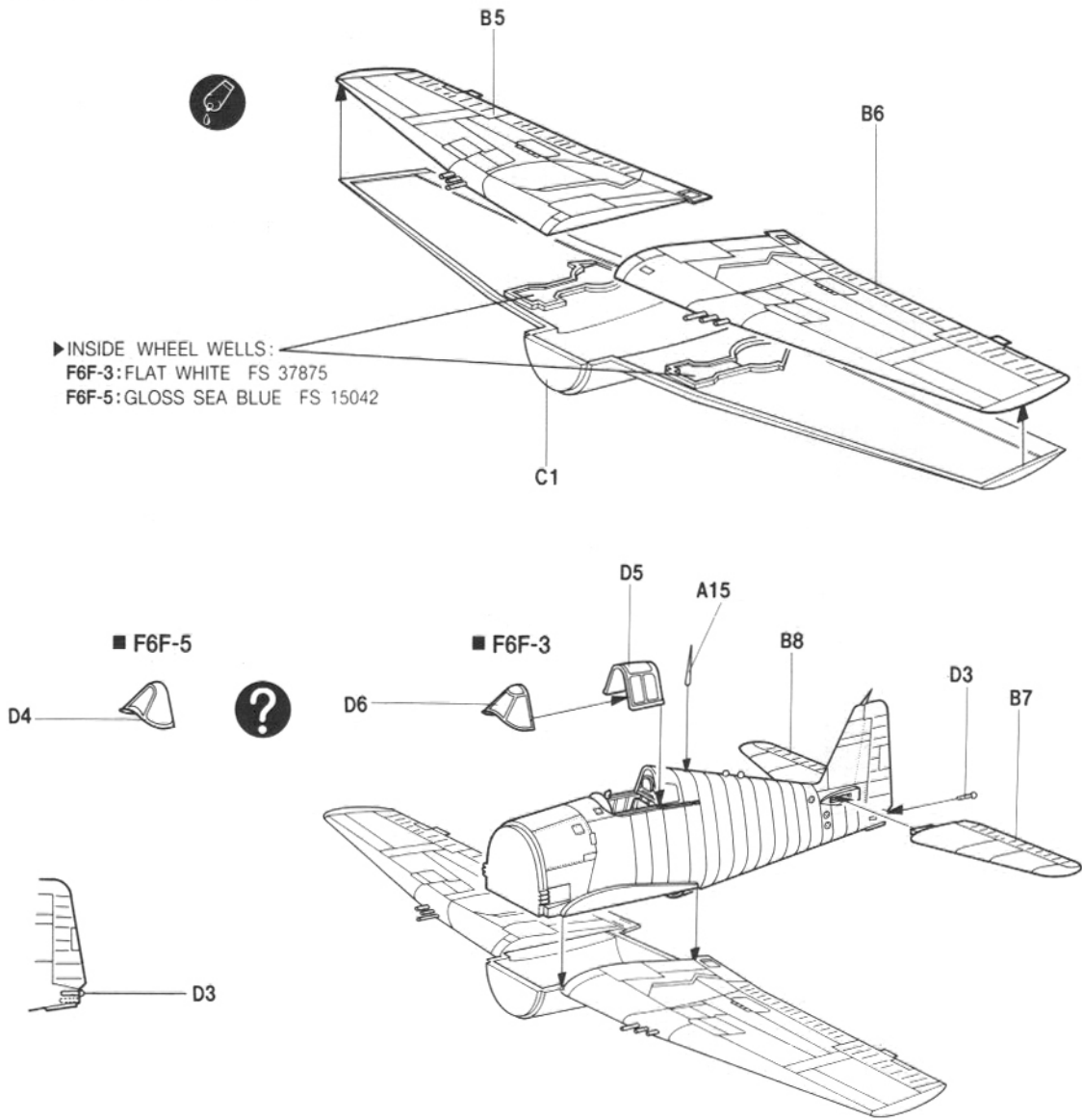
■ F6F-5



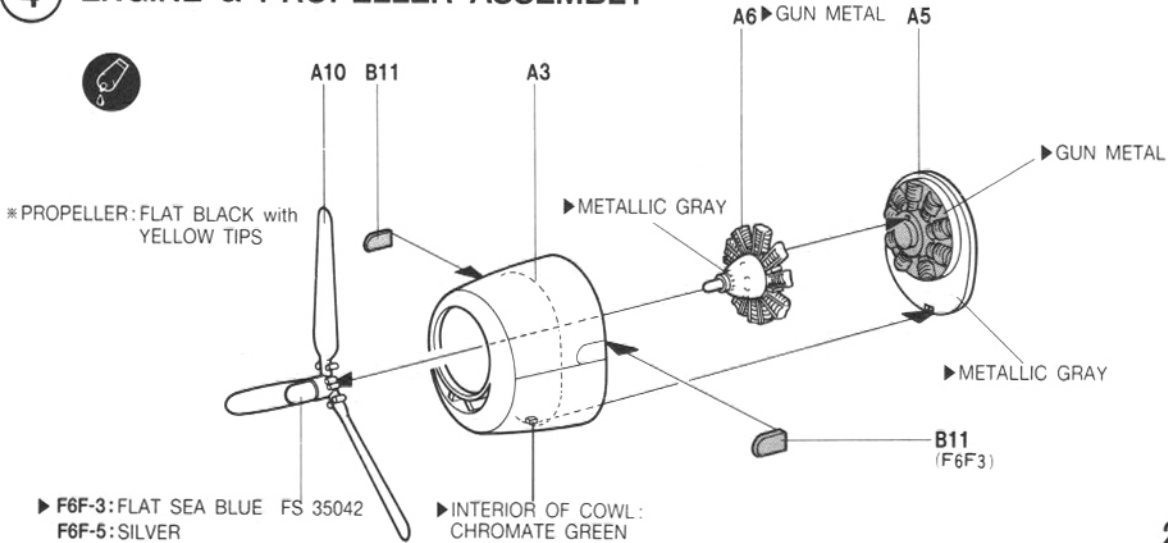
■ F6F-3



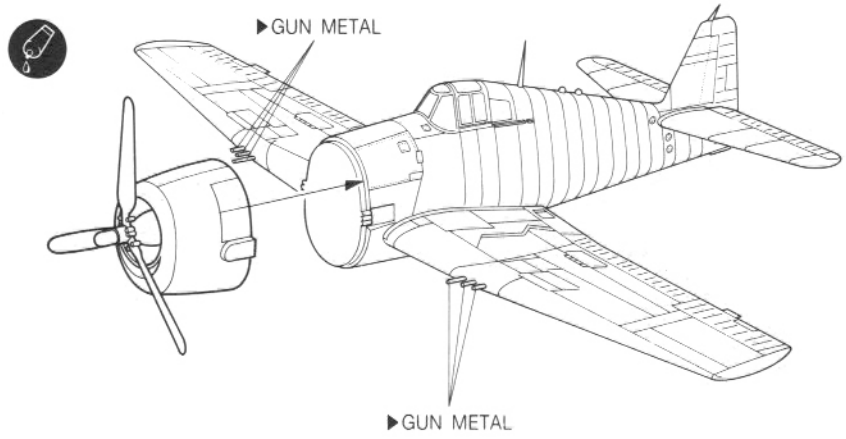
### 3 WING ASSEMBLY



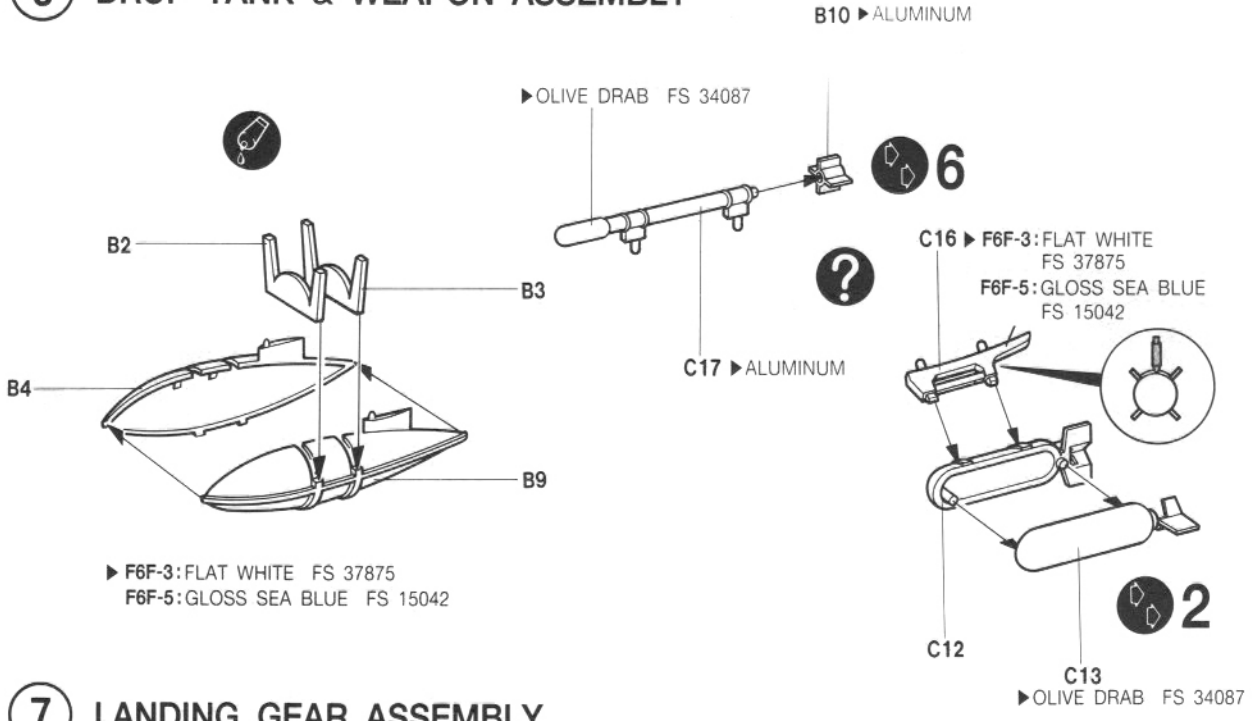
### 4 ENGINE & PROPELLER ASSEMBLY



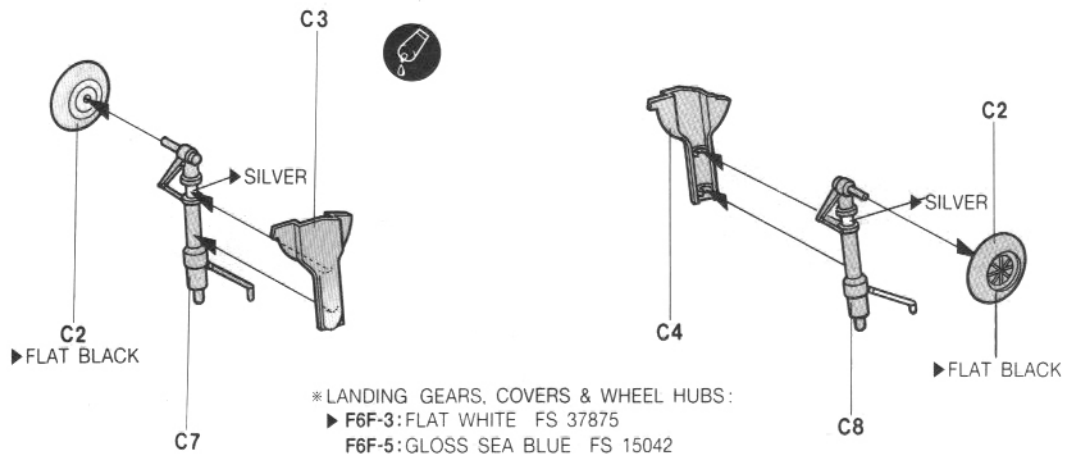
# 5 ENGINE TO FUSELAGE ASSEMBLY



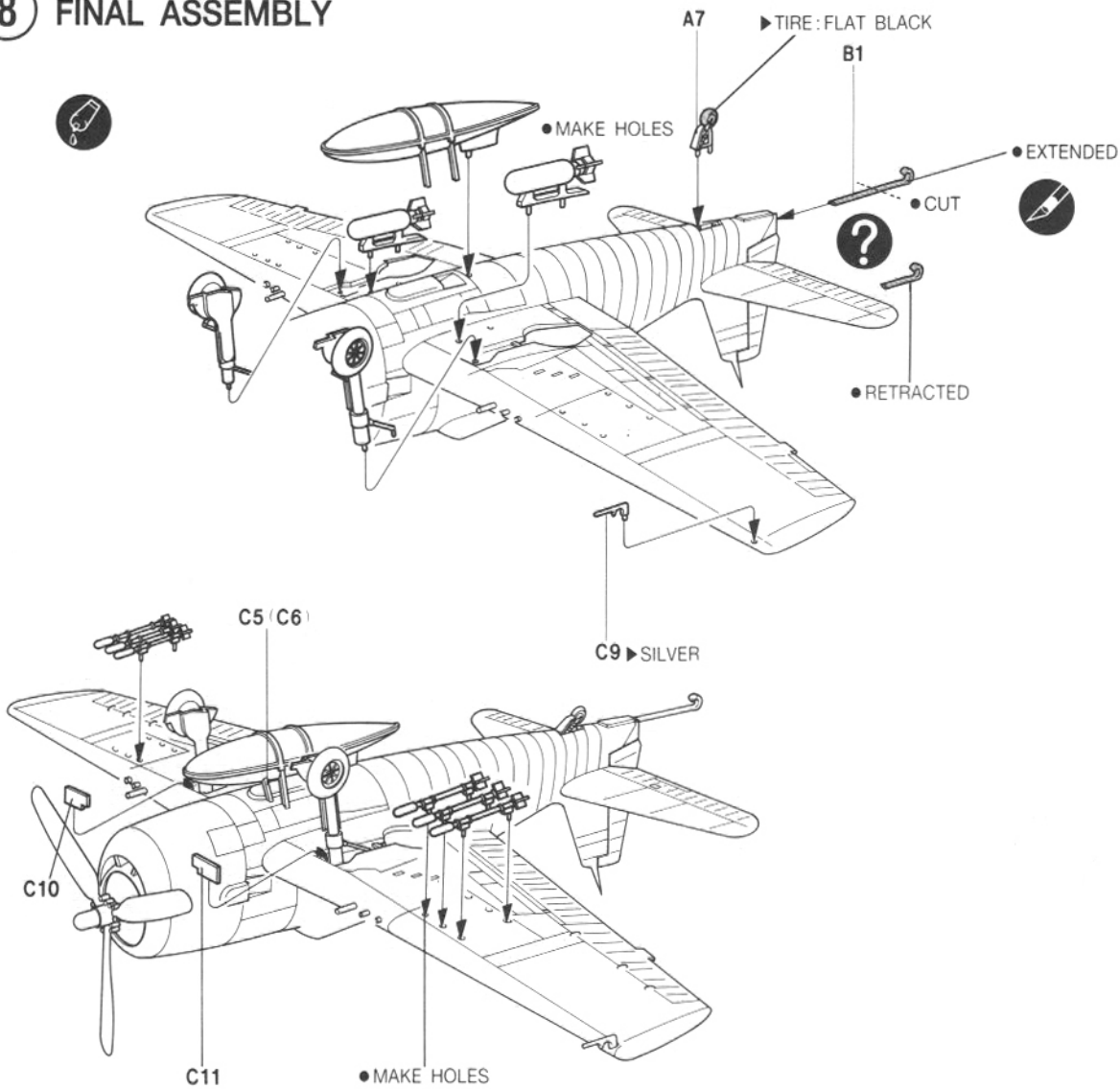
# 6 DROP TANK & WEAPON ASSEMBLY



# 7 LANDING GEAR ASSEMBLY

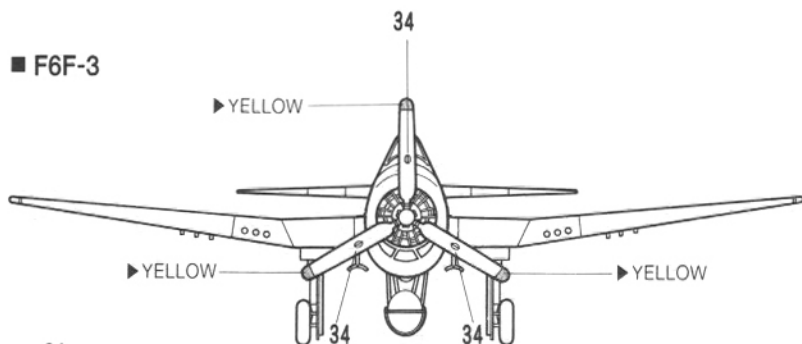


# 8 FINAL ASSEMBLY

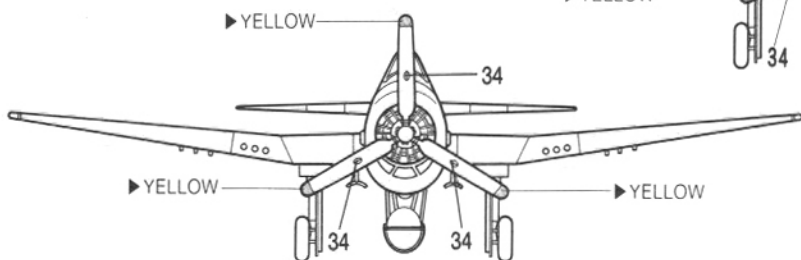


## PAINTING & DECAL PLACEMENT

### F6F-3

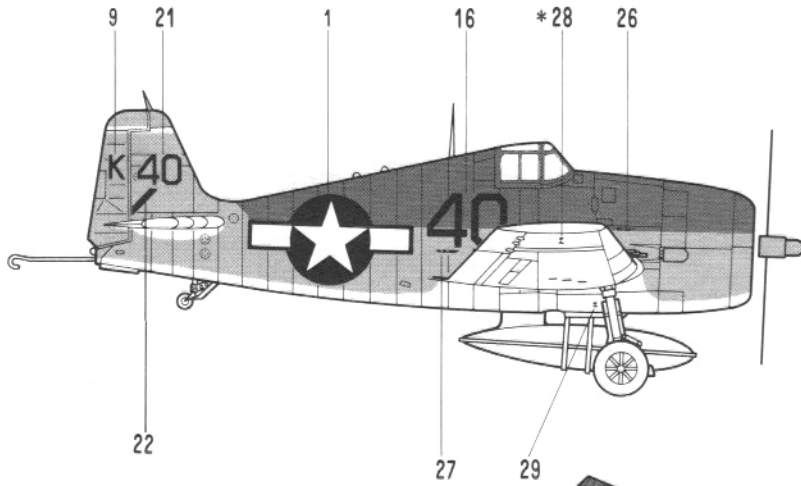


### F6F-5

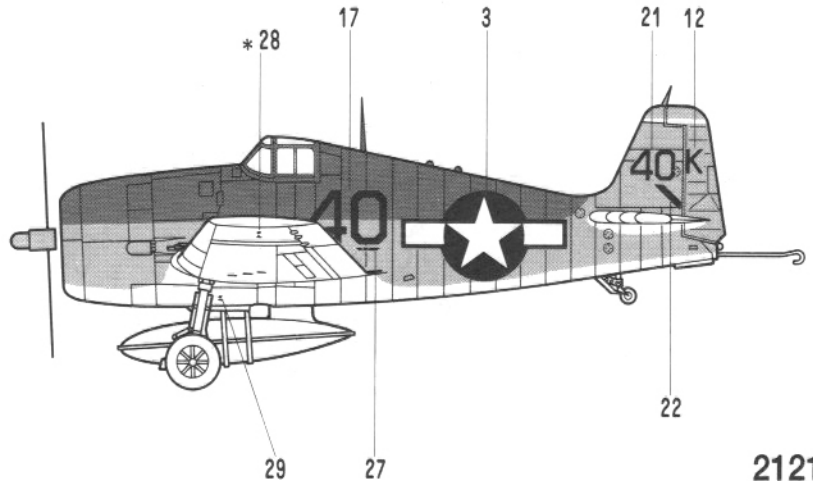
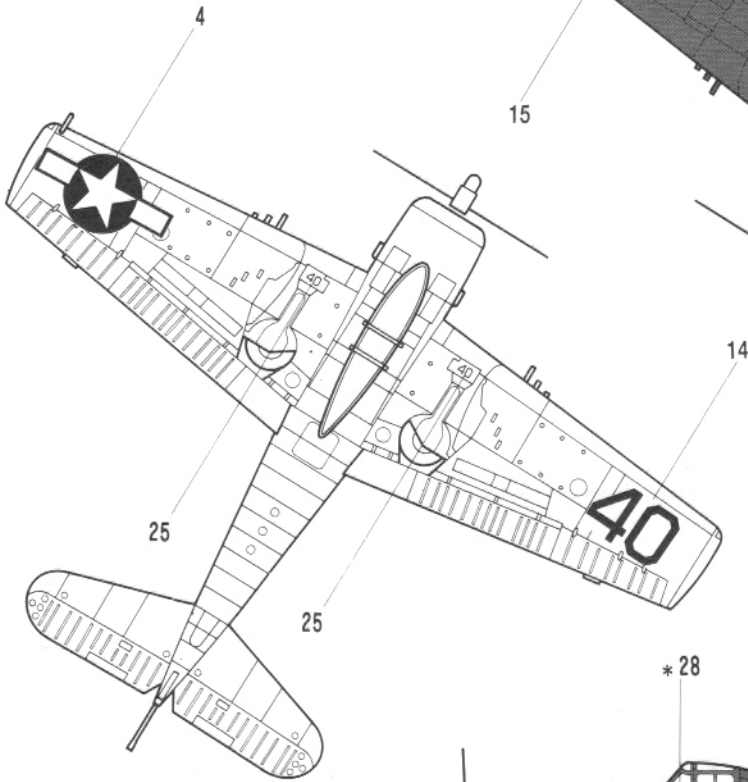
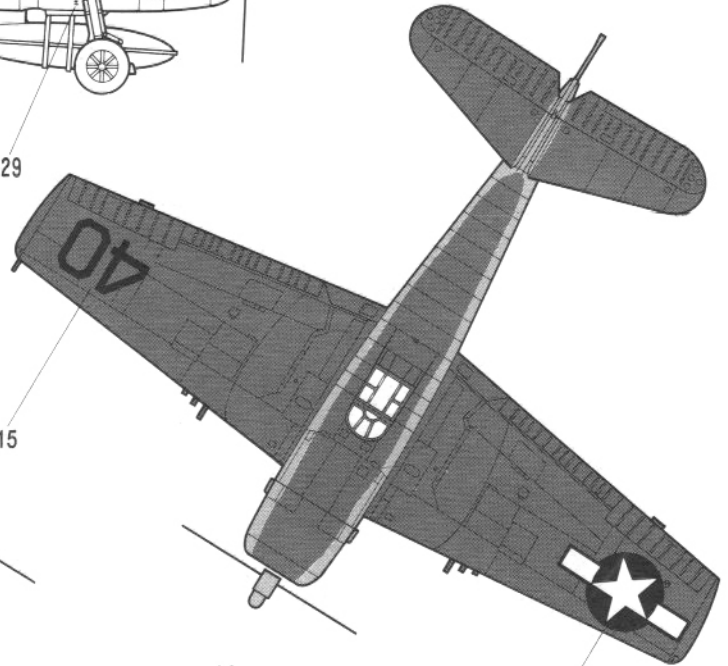


# ■ PAINTING & DECAL PLACEMENT

● \*APPLY DECAL TO FUSELAGE.



■ F6F-3  
(VF-1, U.S.S. YORKTOWN)



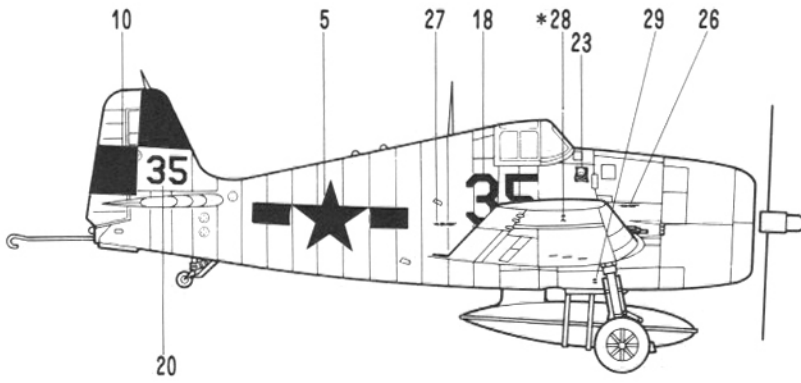
FLAT SEA BLUE FS 35042

FLAT INTERMEDIATE BLUE  
FS 35164

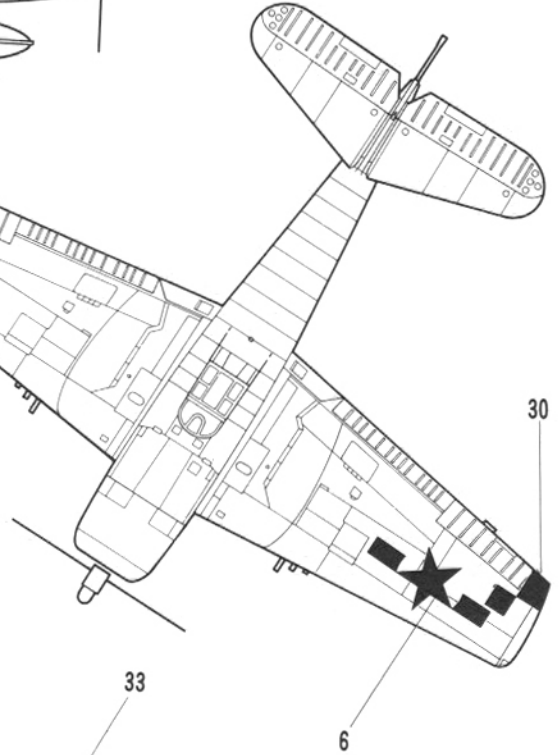
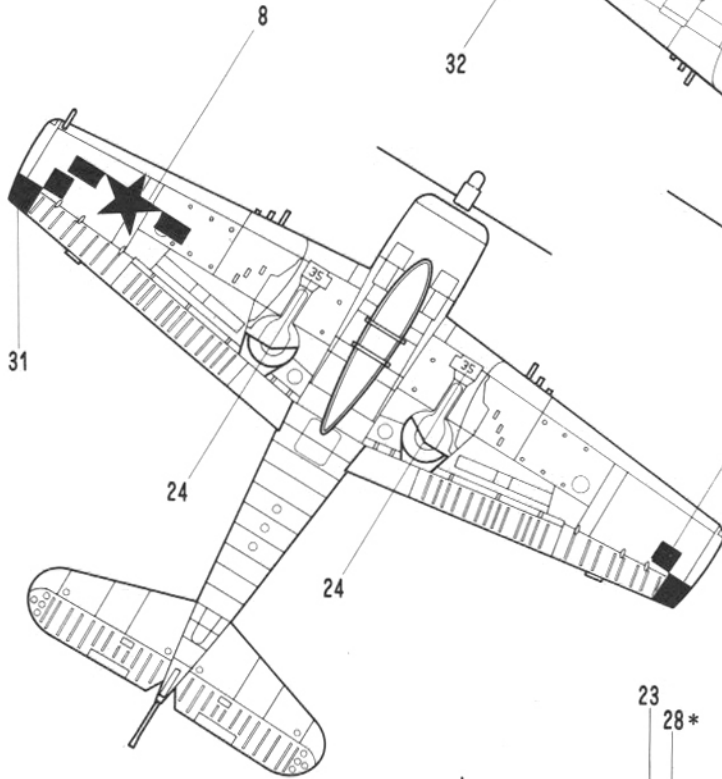
FLAT WHITE FS 37875

# PAINTING & DECAL PLACEMENT

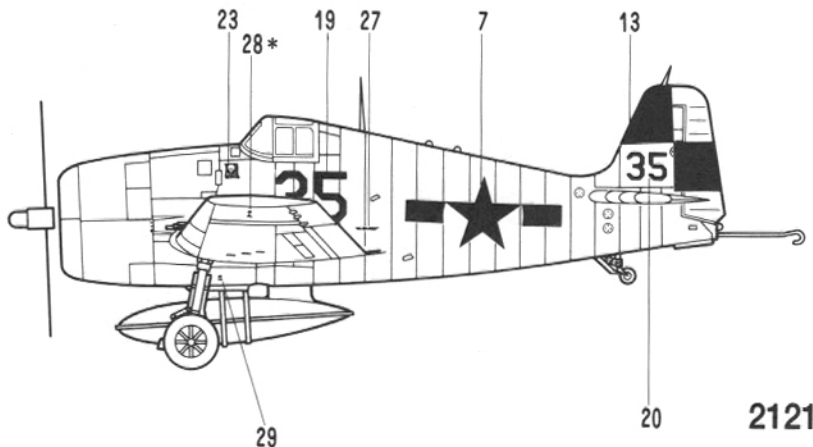
● \*APPLY DECAL TO FUSELAGE.



■ F6F-5  
(VF-17, U.S.S. HORNET)

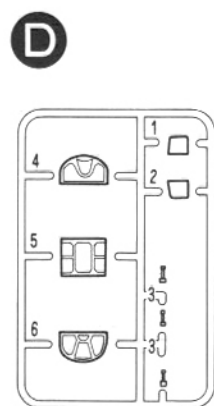
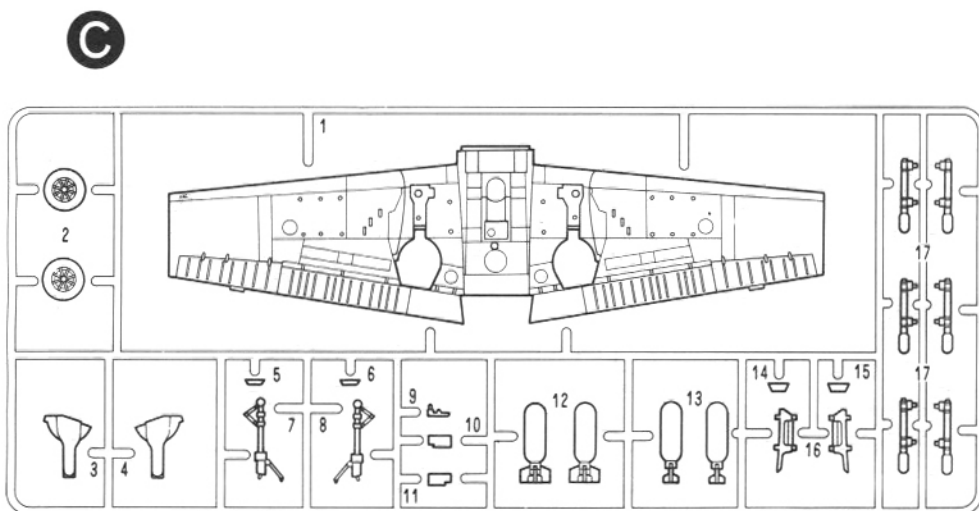
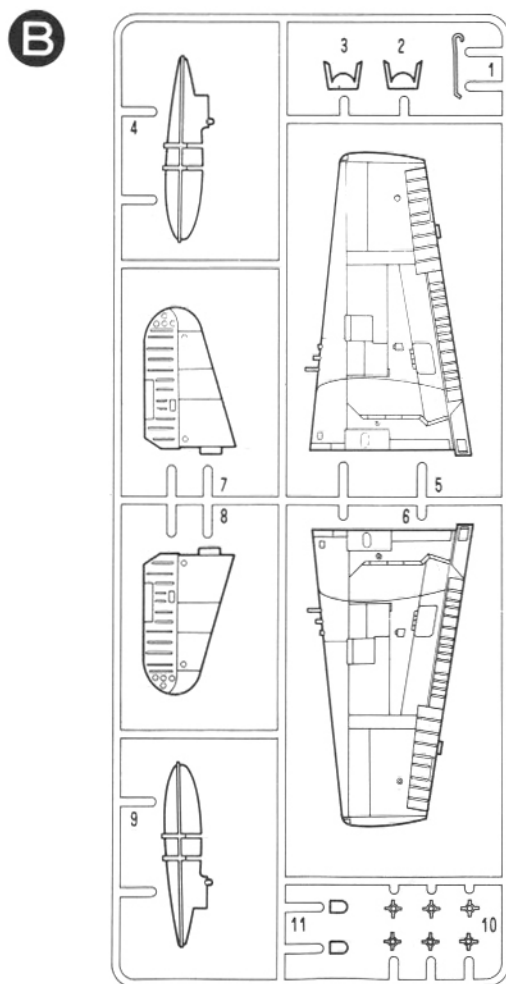
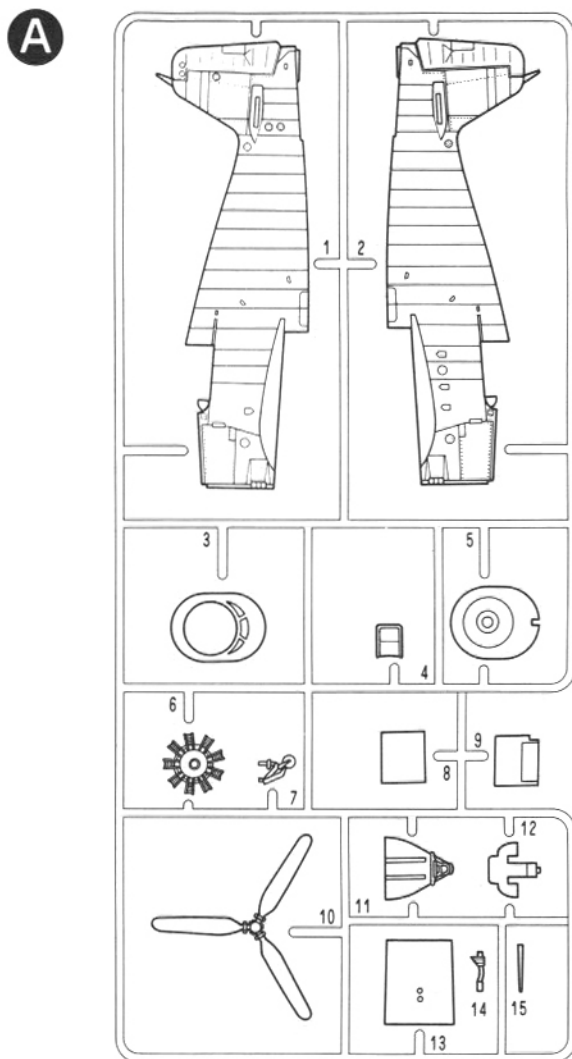


● PAINT AIRCRAFT OVERALL  
GLOSS DARK SEA BLUE  
FS 15042



CHROMATE GREEN	GUN METAL
METALLIC GRAY	OLIVE DRAB
FLAT BLACK	GLOSS SEA BLUE
FLAT SEA BLUE	GLOSS DARK SEA BLUE
GUN METAL	ALUMINUM
SILVER	YELLOW

# ■ PARTS LOCATING DIAGRAM



※ UNUSED PARTS: C14, C15

**ACADEMY**  
HOBBY MODEL KITS

**ACADEMY**  
ACADEMY PLASTIC MODEL CO., LTD.  
521-1, Yonghyeon-dong, Uijeongbu-si, Gyeonggi-do, Korea  
고객상담부: 080-969-7000

2121