



1/48 Scale

GENERAL DYNAMICS F-16 FIGHTING FALCON

One of the key factors in a modern combat aircraft is versatility. A plane able to serve in a variety of roles can reduce the overall cost of operations by limiting the number of components needed for maintenance. If one type plane can serve effectively in fighter, bomber or reconnaissance roles, that is one thing, but if it only requires the mounting of detachable pods or racks without changing the machine itself, you have a virtual one-plane air force.

The nimble General Dynamics F-16 Fighting Falcon is just that machine. Winner of a light-weight fighter competition in 1975, the F-16 has become one of the most successful combat plane in history. It can carry more than thirty different types of offensive or defensive weapons and electronics pods in combinations weighing up to ten tons. It is permanently armed with a 20mm M61A rotary cannon located in the fuselage and usually carries a pair of AIM-9 Sidewinder air to air missiles attached to its wingtips.

The F-16 is one of the few post-Vietnam fighters to have engaged in combat, and it has proven to be as effective as it was intended. One of the most notable uses of the little fighter was in the bombing attack on Iraq's nuclear weapons plant, destroying the operation before it could become a force of destruction.

The nimble maneuverability of the Fighting Falcon makes it the ideal mount for the famous U.S. Air Force Thunderbird acrobatic demonstration team. At the peak of its performance it can exceed Mach 2, yet it can twist and turn so tightly it can turn inside many modern jet adversaries. This permits it to perform the spectacular maneuvers that excite the air show crowds.

The effectiveness of this little fighter has led to its use by NATO forces alongside the larger F-15 Eagle. Besides the U.S. Air Force and Navy, the F-16 is operated by a dozen other countries.

1688



Cement Parts
Coller
Kleben
Pegar
Incollare
Colar
Kleven



DO NOT cement
Ne pas coller
Nicht kleben
No pegar
Non incollare
Não colar
Niet kleven



Cut away
Couper
Scherden
Cortar
Tagliare
Cortar
Snijden



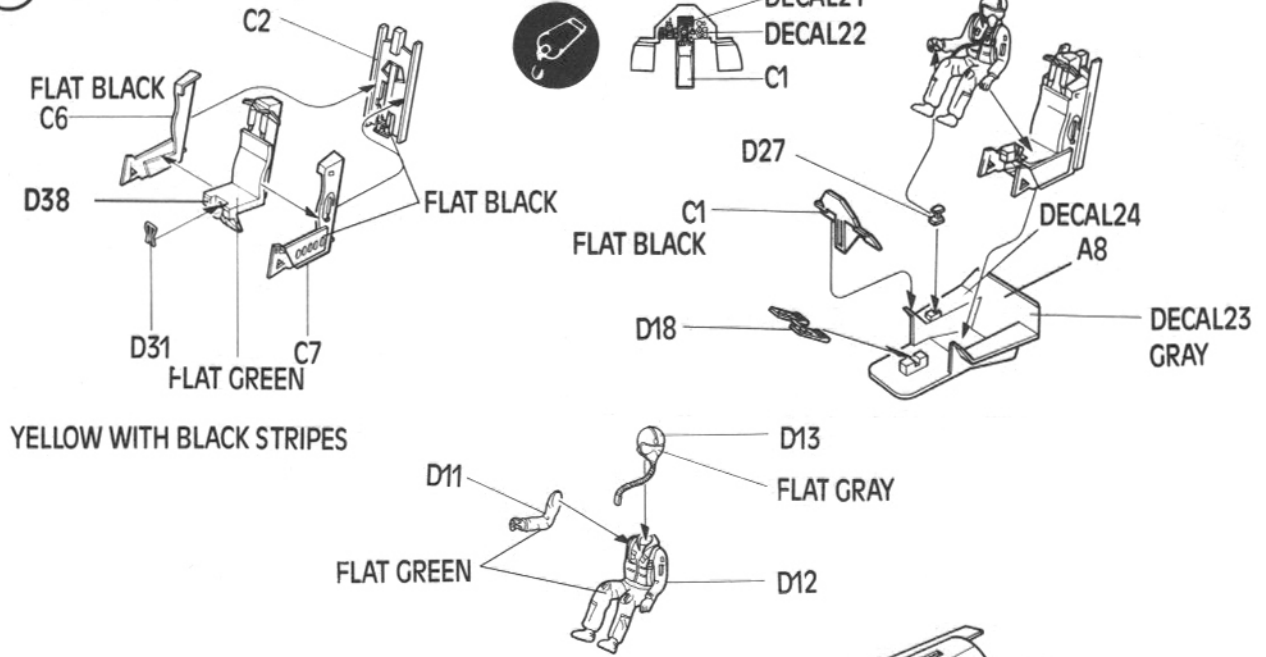
Optional parts
Choix
Auswahlmoglichkeit
Eleccion
Scelta
Opcao
Keuze



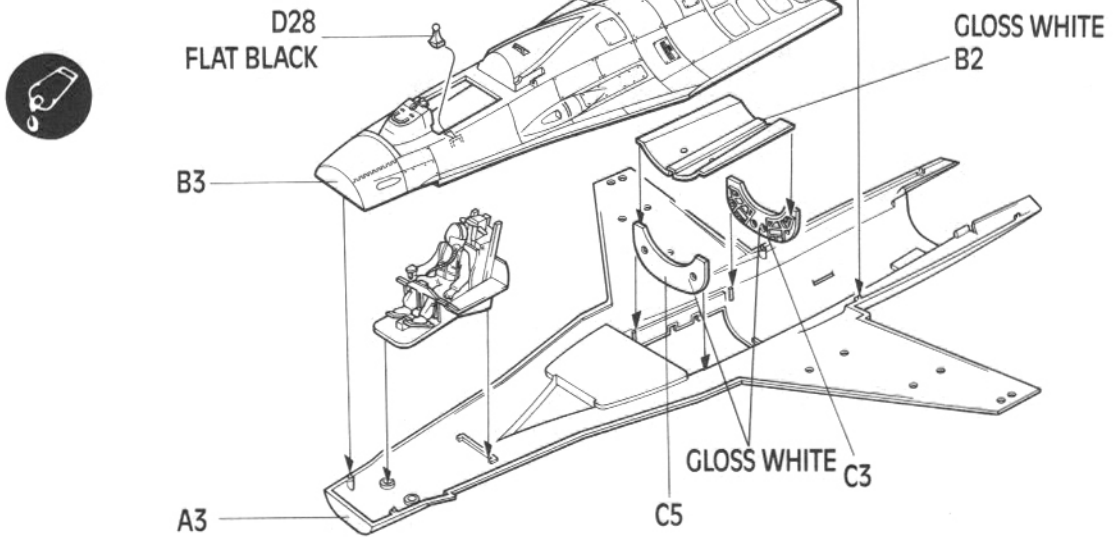
3

Repeat operation
Répéter l'opération
Vorgang wiederholen
Ripetere la operacion
Ripetere
Repitir a operação
Herhalen

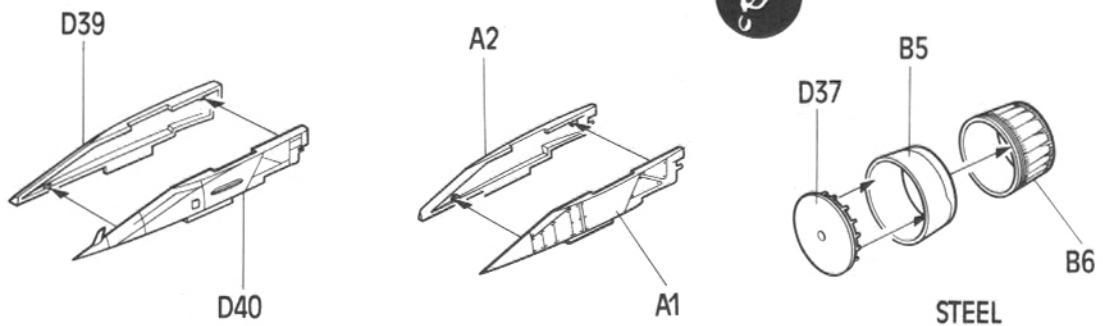
1 COCKPIT ASSEMBLY



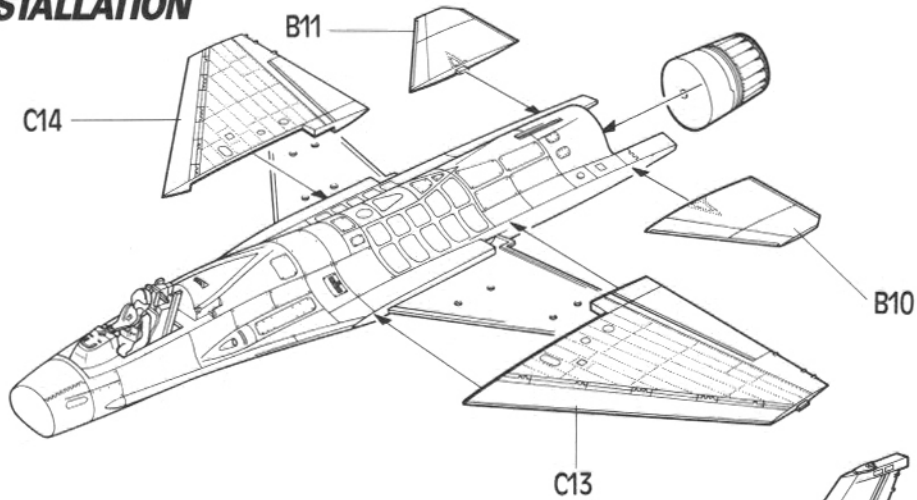
2 FUSELAGE ASSEMBLY



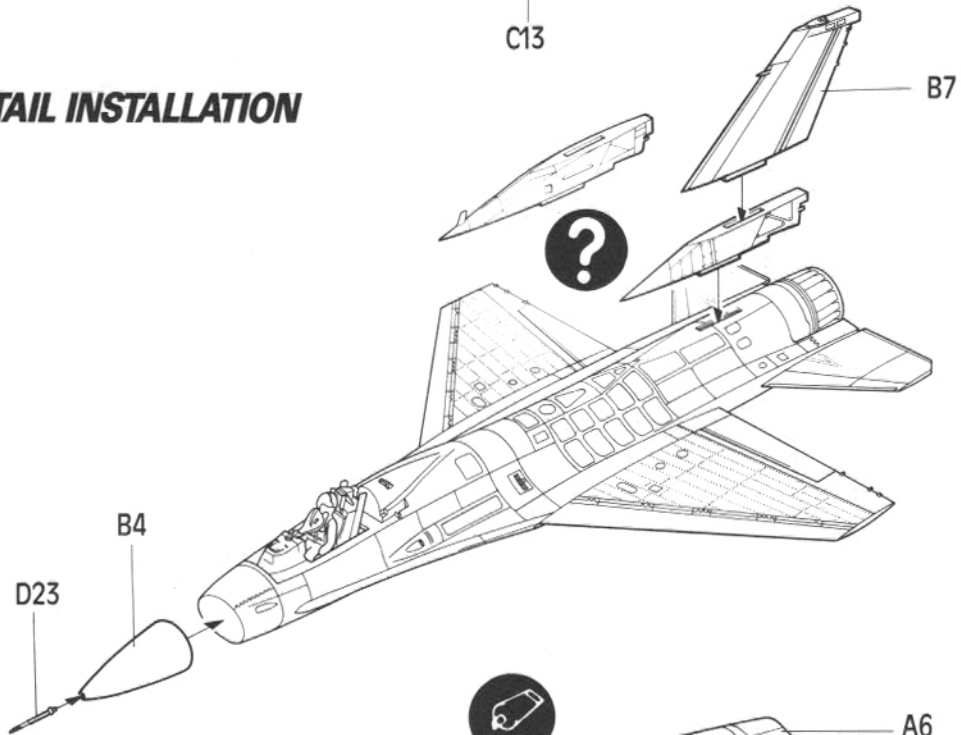
3 DORSAL FIN AND ENGINE ASSEMBLY



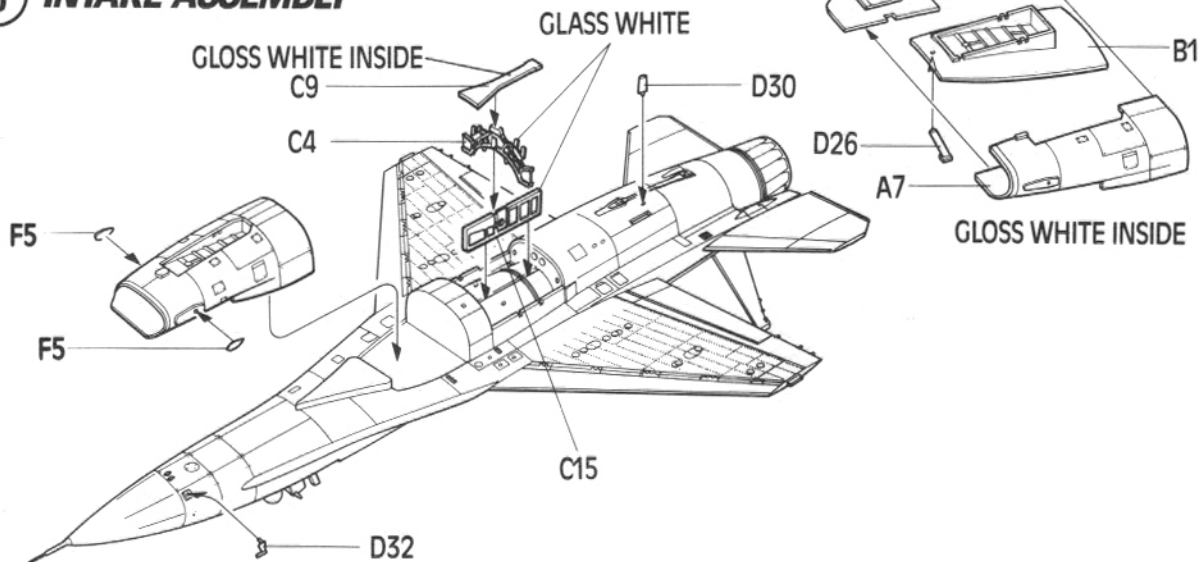
4 WING INSTALLATION



5 NOSE AND TAIL INSTALLATION

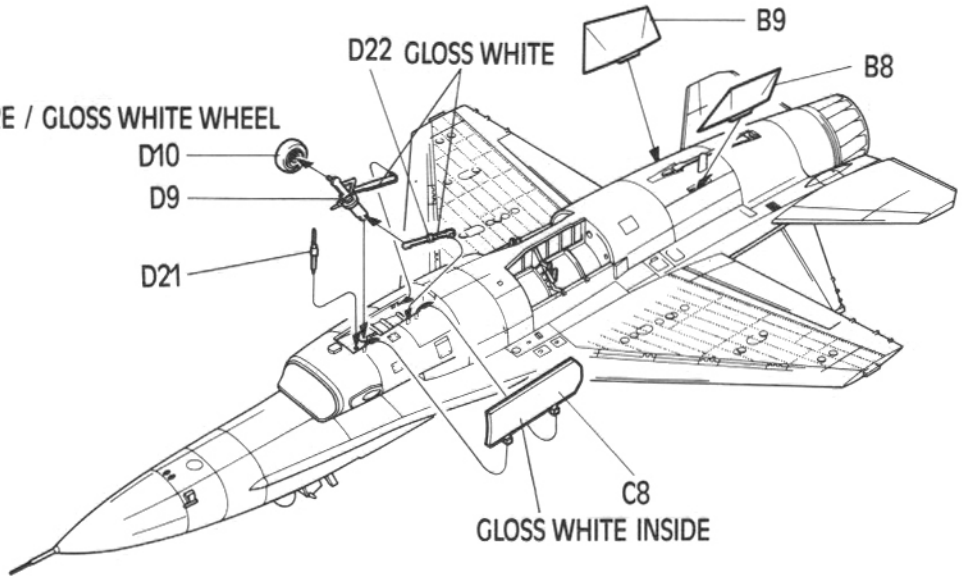


6 INTAKE ASSEMBLY



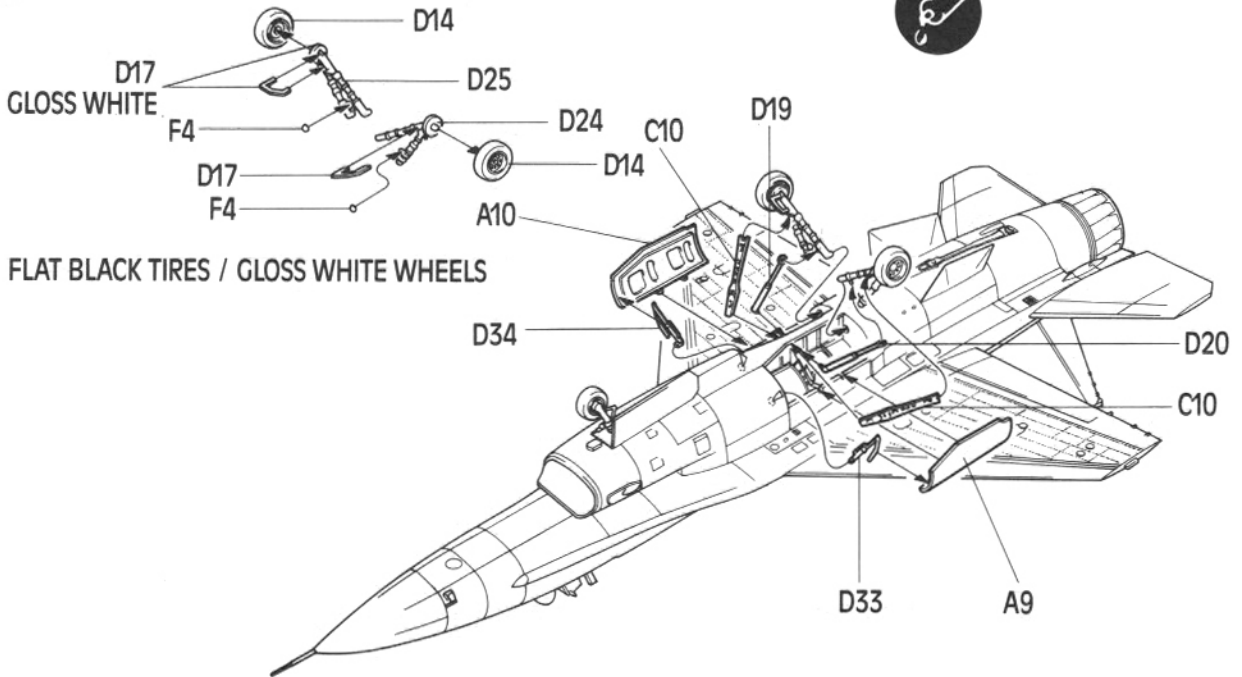
7 NOSE GEAR INSTALLATION

FLAT BLACK TIRE / GLOSS WHITE WHEEL



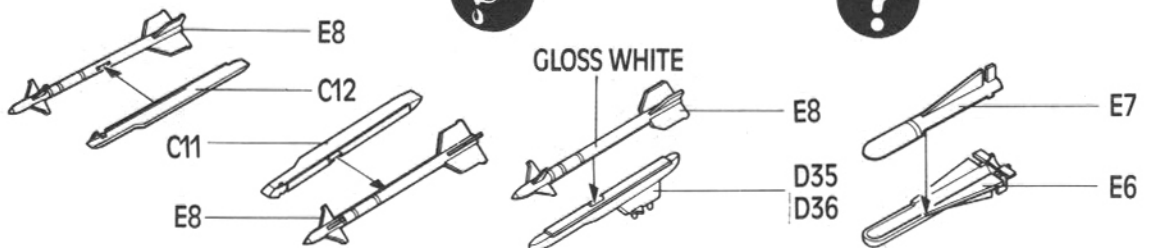
8 MAIN GEAR INSTALLATION

D17
GLOSS WHITE

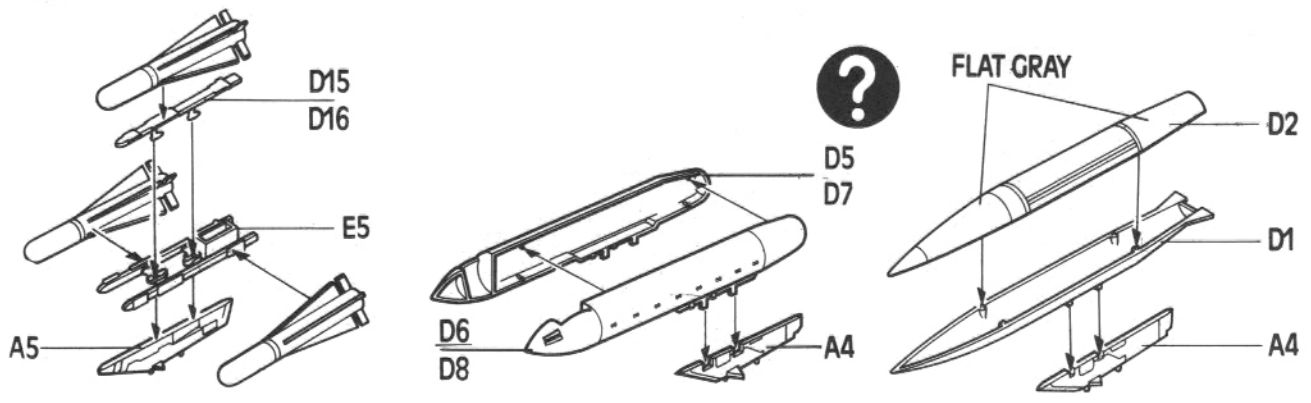


FLAT BLACK TIRES / GLOSS WHITE WHEELS

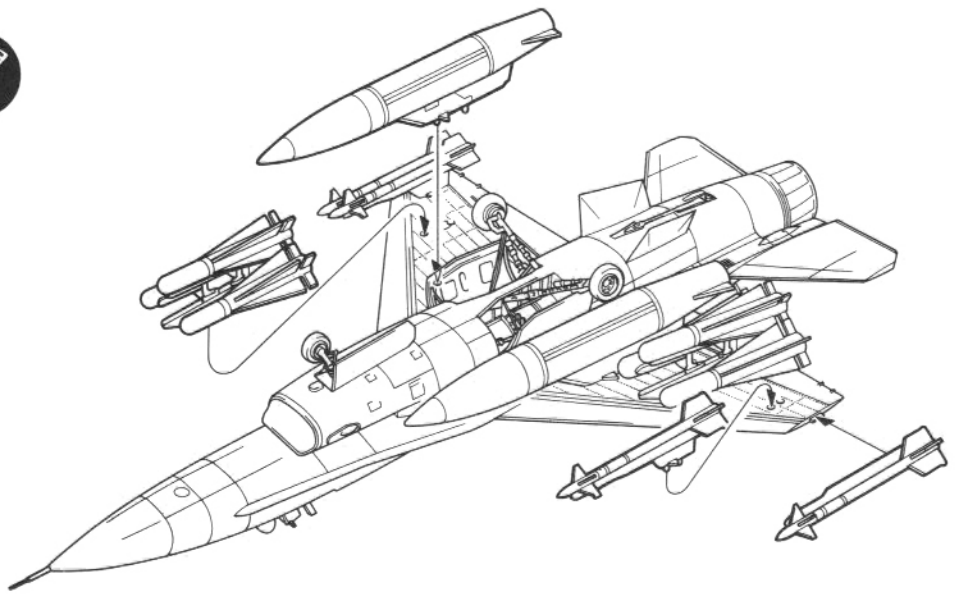
9 ARMAMENT ASSEMBLY



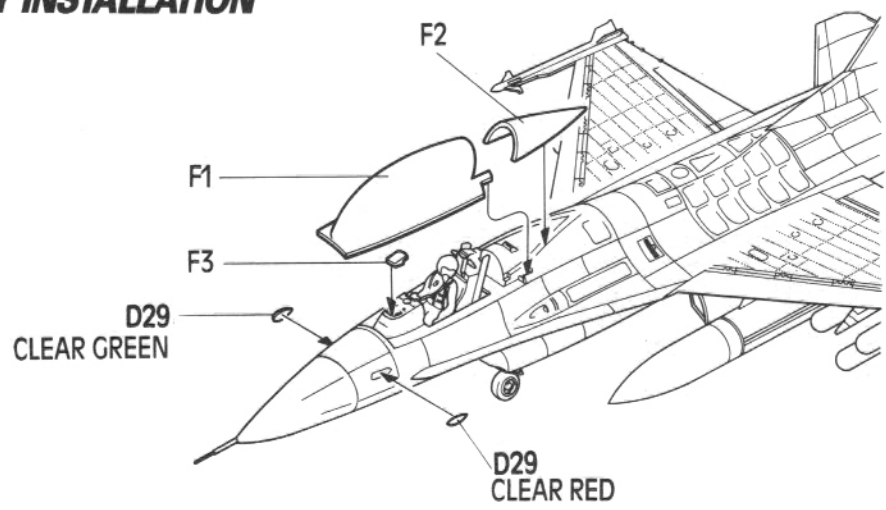
10 ARMAMENT ASSEMBLY

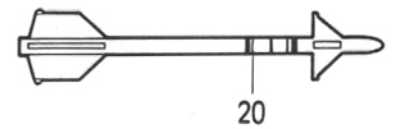
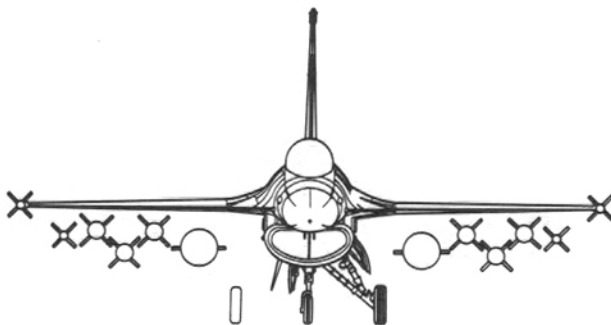
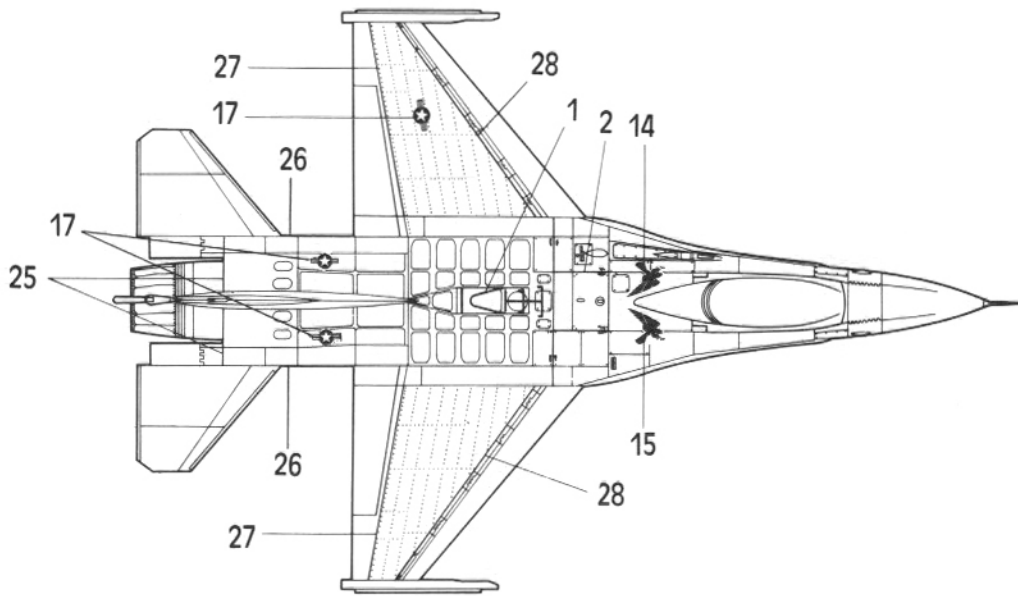
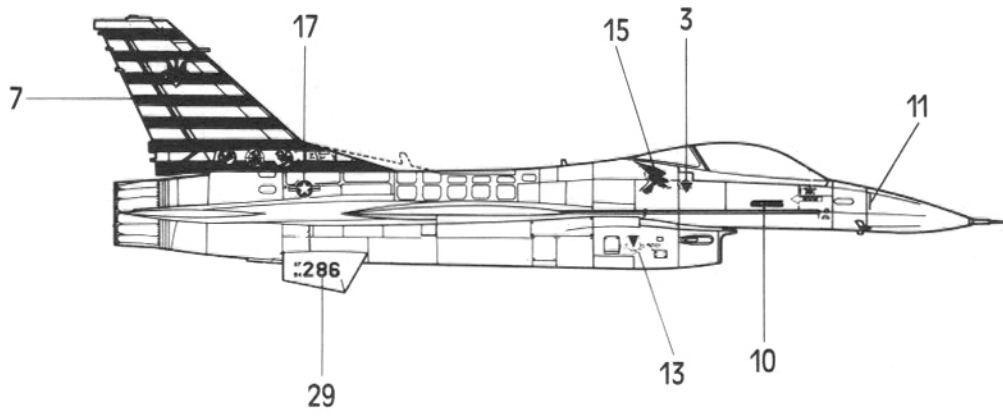


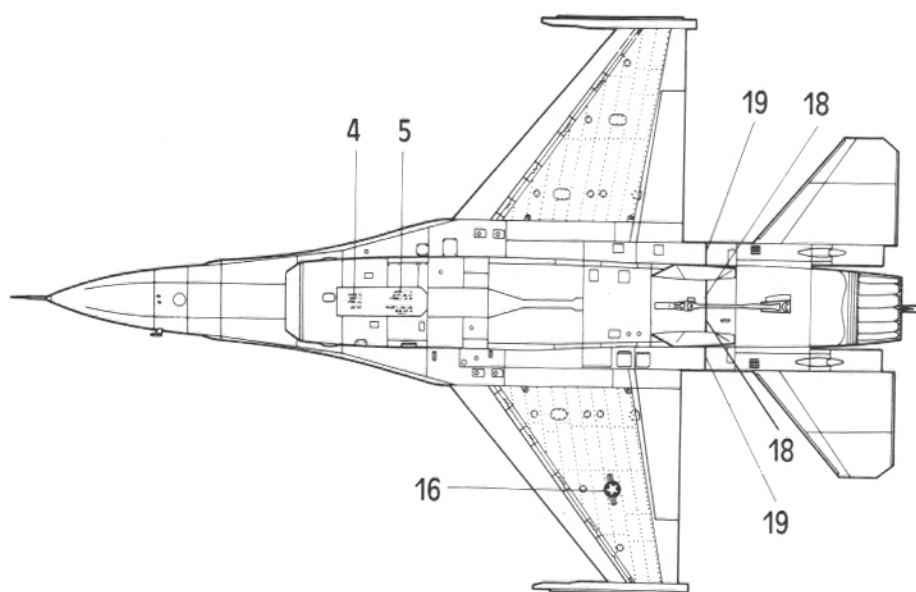
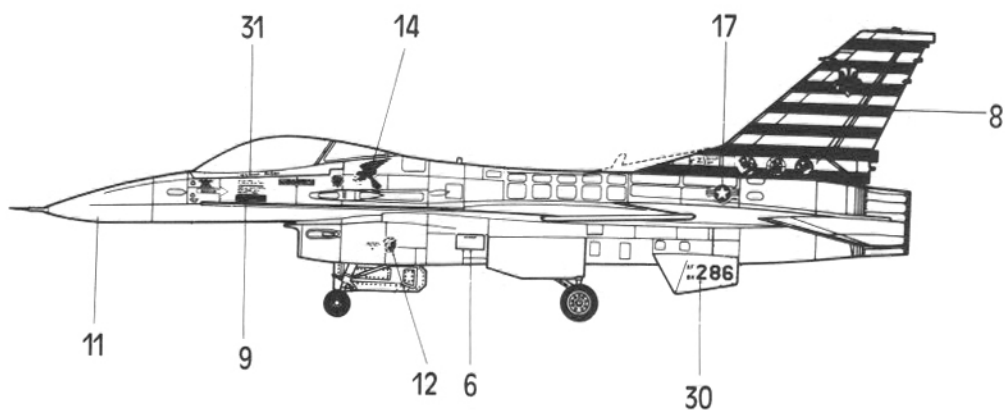
11 ARMAMENT INSTALLATION



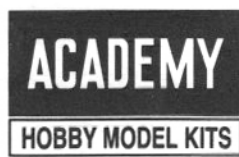
12 CANOPY INSTALLATION

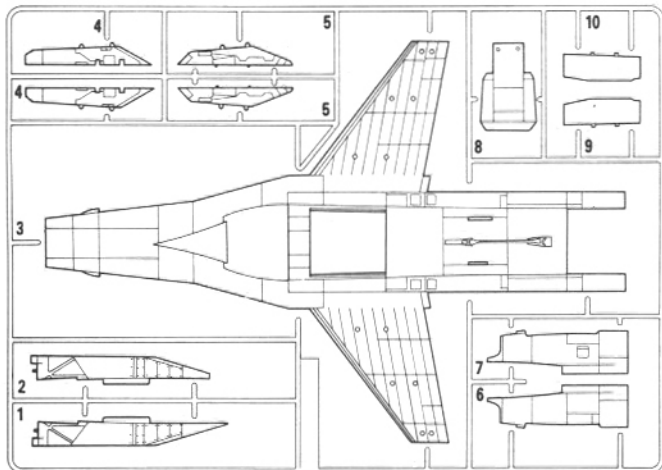
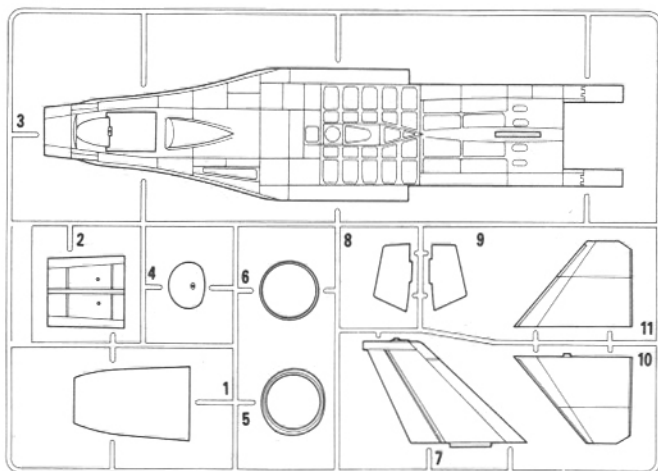
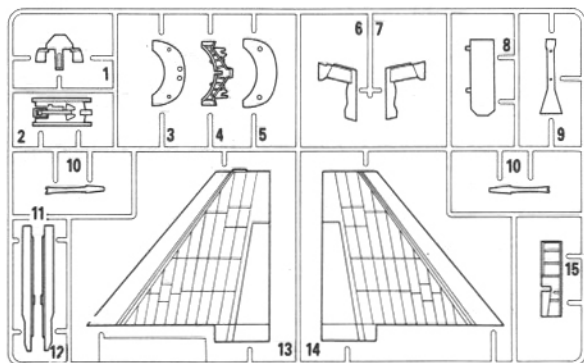
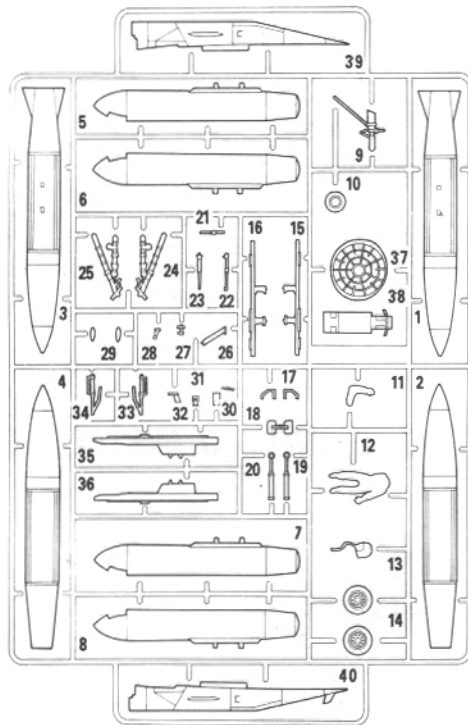
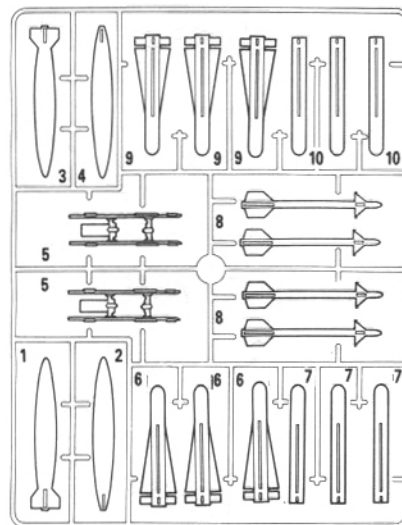






ENGLISH	FRENCH	GERMAN	SPANISH	ITALIAN
WHITE	BLANCO	WEISS	BLANC	BIANCO
YELLOW	JAUNE	GELB	AMARILLO	GIALLO
RED	ROUGE	ROT	ROJO	ROSSO
BLUE	BLEU	BLAU	AZUL	BLU
GRAY	GRIS	GRAU	GRIS	GRIGIO
GUNMETAL	METALLIC	METALLIC	METALICO	METALLICO
GREEN	VERT	GRUN	VERDE	VERDE
SILVER	ARGENT	SILBERN	PLATA	ARGENTO
BLACK	NOIR	SCHWARZ	NEGRO	NERO
ORANGE	ORANGE	ORANGE	NARANJADO	ARANCIO
AMBER	AMBRE	BERNSTEINFARBEN	AMBAR	AMBRA
ALUMINUM	ALUMINIUM	ALUMINIUMFARBEN	ALUMINIO	ALLUMINIO
GLOSS	LUSTRE	GLANZENDES	BRILLANTE	BRILLANTE
FLAT	TERNE	GLANZLOSES	APAGADO	OPACO



A**B****C****D****E****F**