

Da Vinci Machines Series

Da Vinci

Armoured car

- Armoured combat vehicles designed by Leonardo da Vinci
- Operated by mechanical spring

ACADEMY

HOBBY MODEL KITS

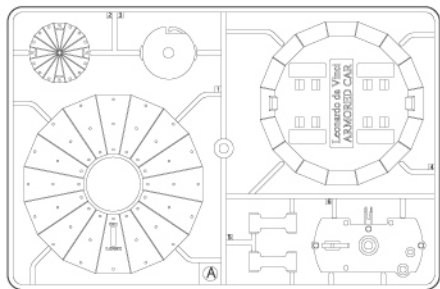
18136



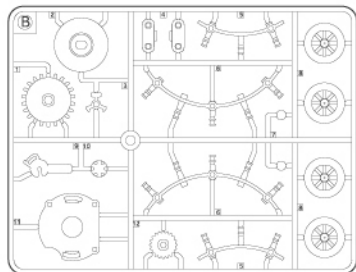
Leonardo da Vinci
(1452-1519)

Parts Locating Diagram

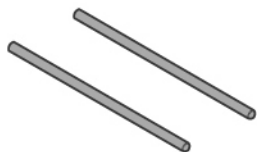
A



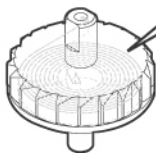
B



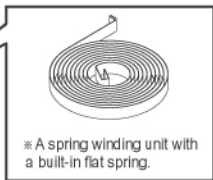
● Spare parts: B7X1



Shaft 2EA

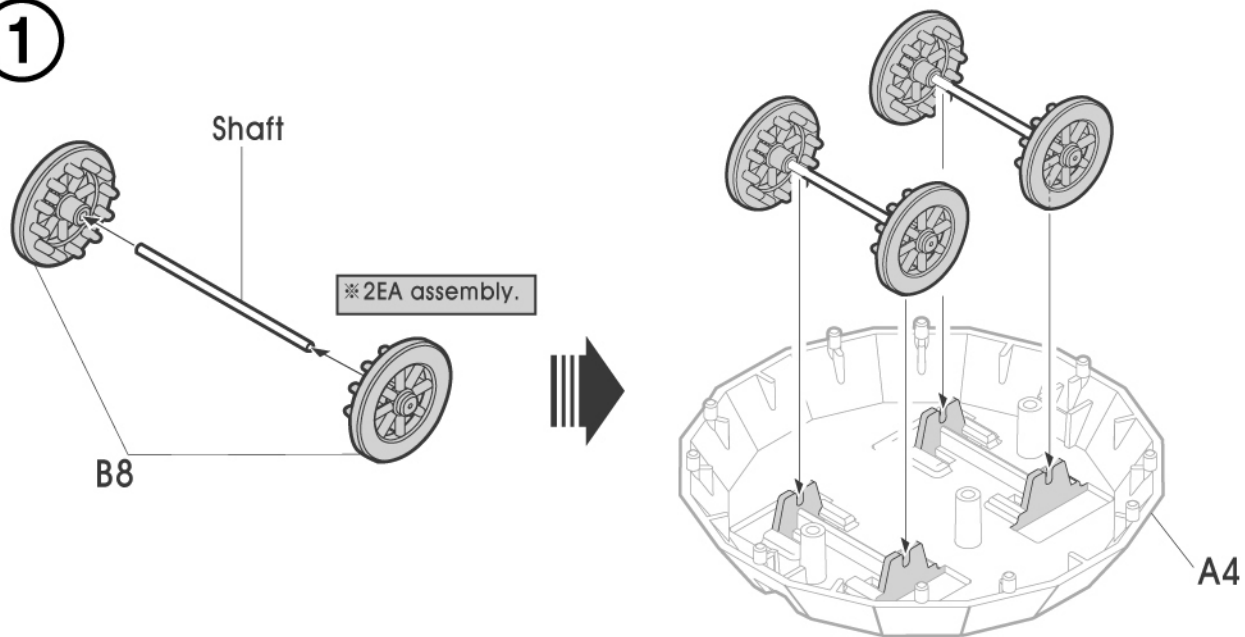


Spring Winding Unit

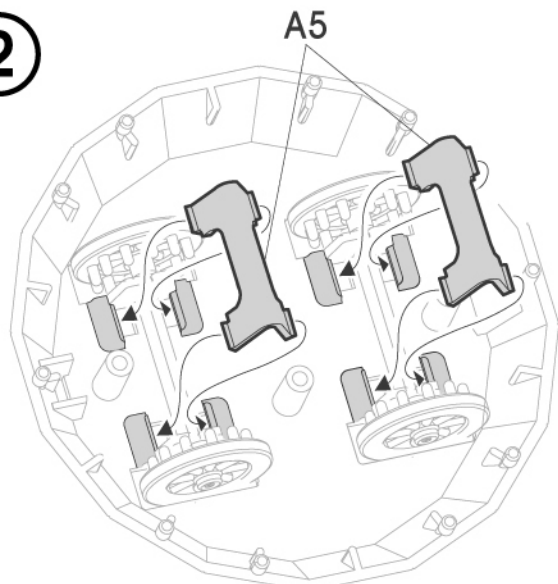


※ A spring winding unit with a built-in flat spring.

1

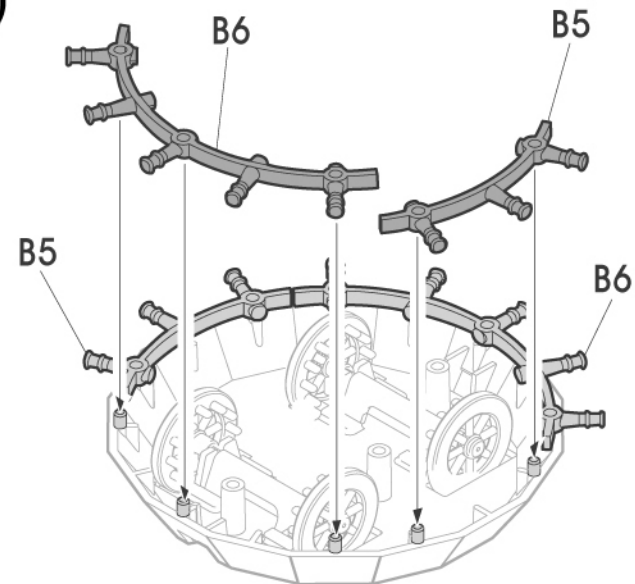


2

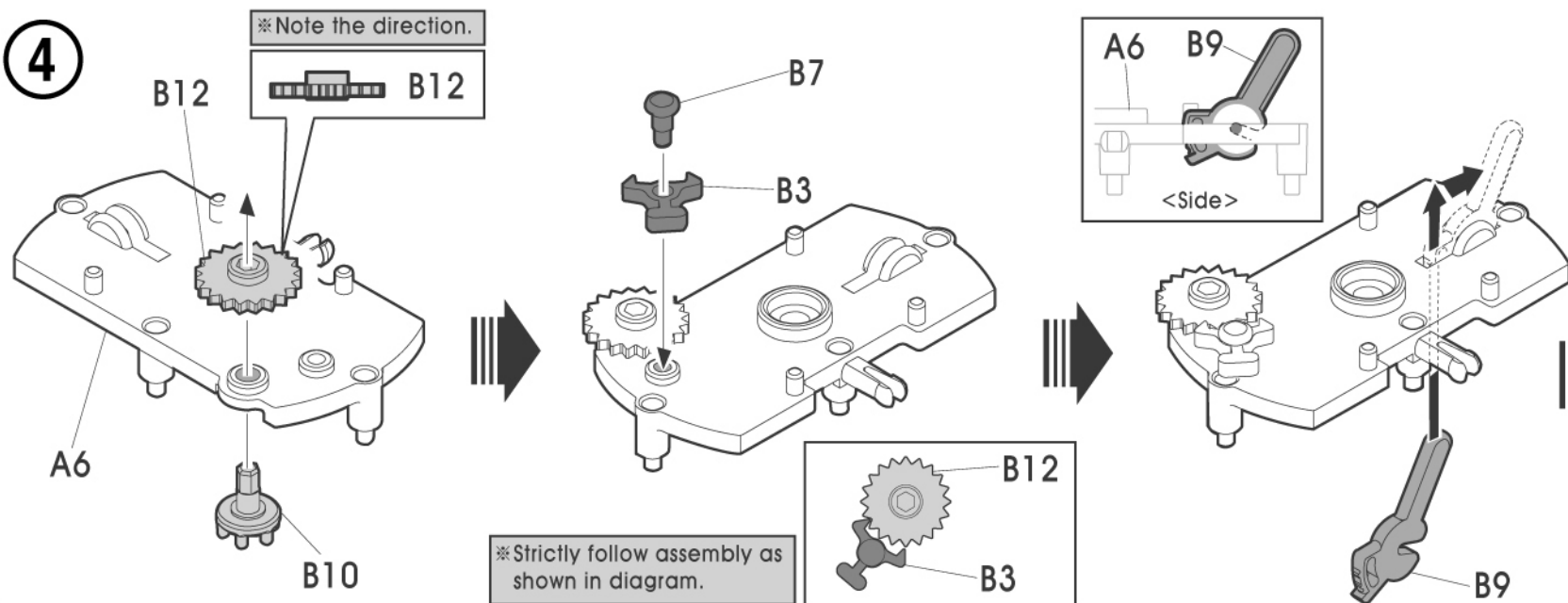


※ Align the pegs and holes, then push together.

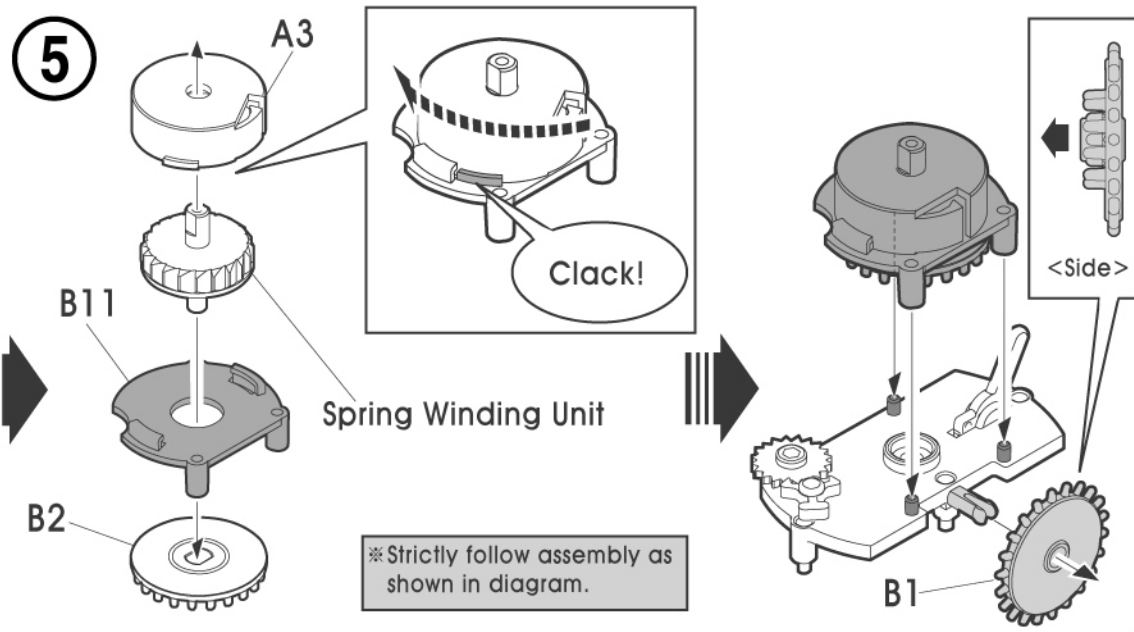
3



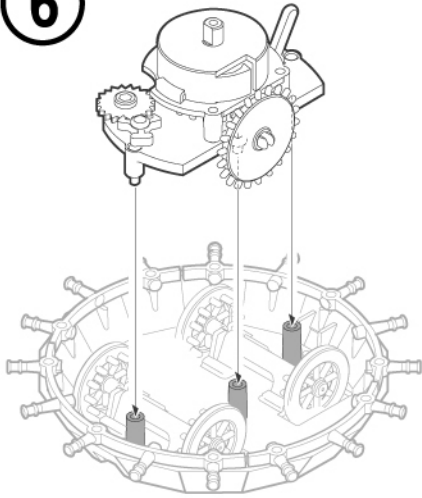
4



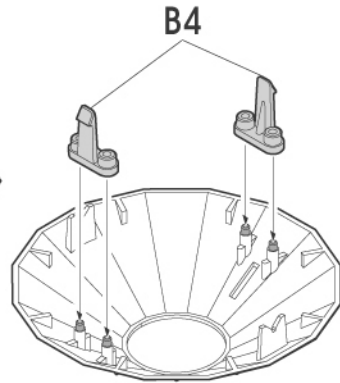
5



6



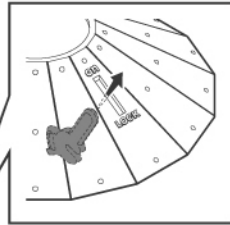
7



8

※Strictly follow the assembly order as shown by the numbers.

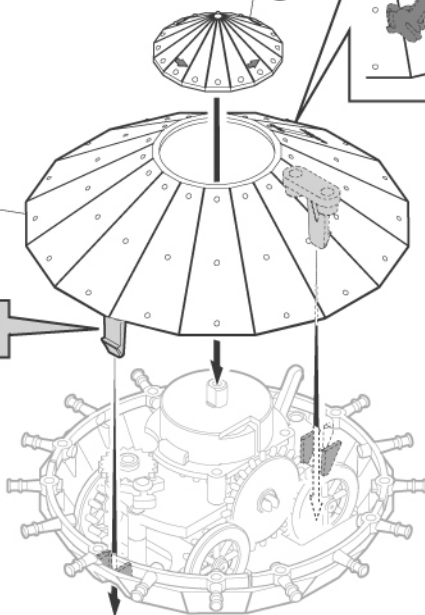
A2



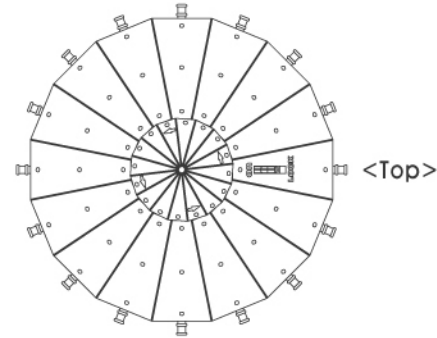
A1

1

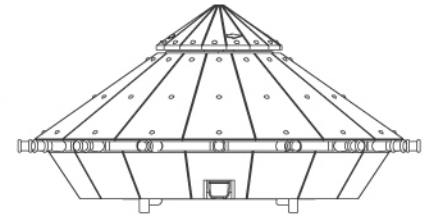
※Align the pegs and holes, then push together.



■Finished Model Views



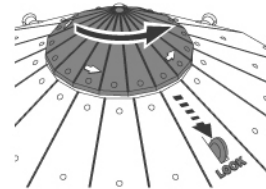
<Top>



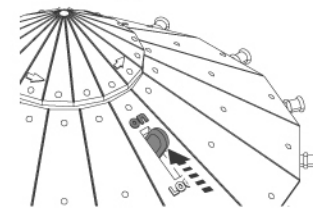
<Front>

■How to Operate

※Follow these 4 step in the order shown.



1 Put lever in the 'LOCK' position.



2 Wind in the direction of the arrows.

3 When Spring Winding Unit stops, it is fully wound. Do not force beyond this point.

4 Move lever to the "on" position.

Direction of Travel! ←

