



# NINJAGO

71783





### **Get excited about our new packaging!**

We're switching from plastic to paper-based packaging. That's why you might find a mix of paper and plastic in our boxes!

### **Nos nouveaux emballages vous emballeront !**

Nous passons des emballages en plastique aux emballages à base de papier. C'est pourquoi vous pourriez trouver un mélange de papier et de plastique dans nos boîtes !

### **¡Te presentamos nuestros nuevos empaques!**

Estamos sustituyendo las bolsas de plástico por bolsas con base de papel. ¡Por eso, puedes encontrar una mezcla de papel y de plástico en nuestras cajas!

**[LEGO.com/sustainable-packaging](https://www.lego.com/sustainable-packaging)**



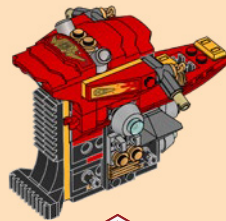
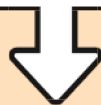
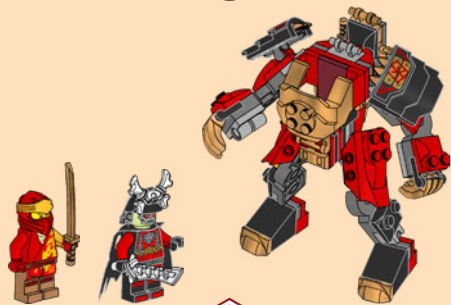
# BUILDER

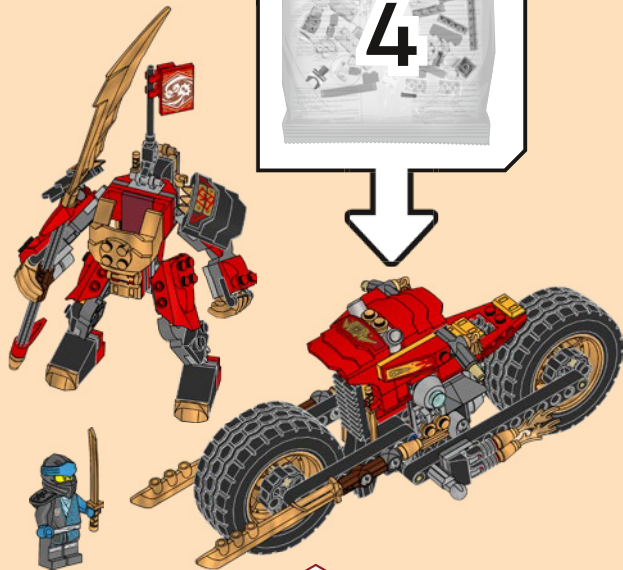
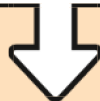
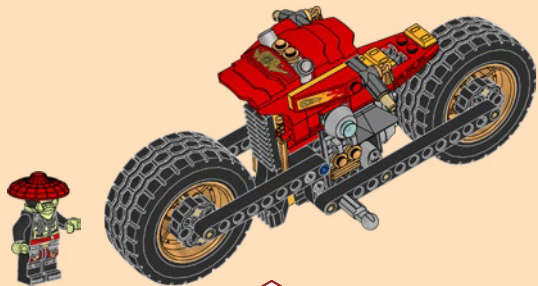
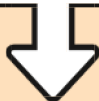


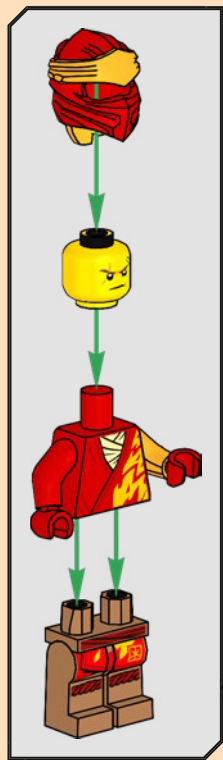
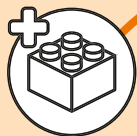
Apple and the Apple logo are trademarks of Apple Inc., registered in the U.S. and other countries and regions. App Store is a service mark of Apple Inc. Google Play and the Google Play logo are trademarks of Google LLC. Tencent and the Tencent logo are trademarks of Tencent Inc.

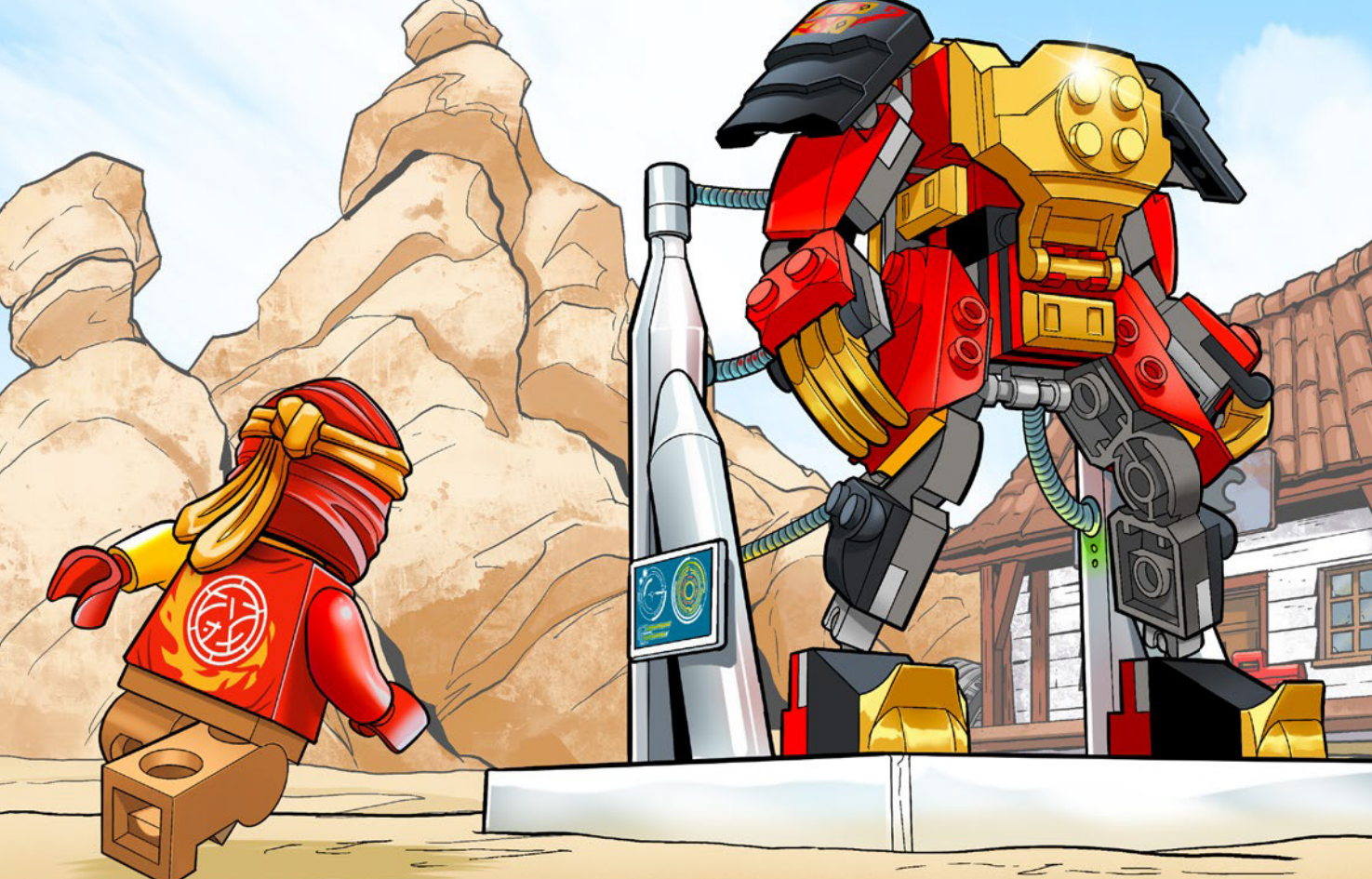
Q [LEGO.com/devicecheck](https://www.lego.com/devicecheck)

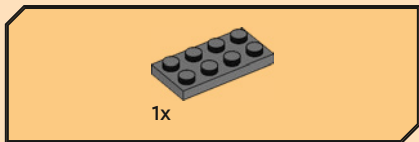
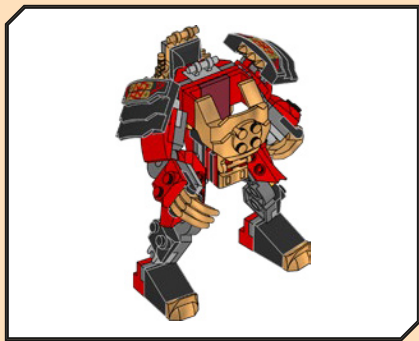
**EN** Ask parents' permission before going online | **DE** Eltern um Erlaubnis bitten, bevor du online gehst | **FR** Demande l'autorisation d'un parent avant d'aller en ligne | **IT** Chiedi il permesso ai tuoi genitori prima di andare online | **ES** Pídeles permiso a tus papás antes de conectarte a Internet | **PT** Pede autorização aos pais antes de acederes online | **JA** オンラインになる前に ほか者の方のきよかをもらおう | **ZH** 上网前应先征得父母的同意 | **KO** 온라인 접속 전에 보호자 동의가 필요합니다 | **RU** Спроси разрешения у родителей, прежде чем заходить в интернет | **PL** Poproś rodziców o zgodę, zanim wejdziesz do Internetu | **CS** Než půjdeš na internet, požádej rodiče o svolení | **SK** Skôr než pôjdeš na internet, vypýtaj si povolenie od rodičov | **HU** Kérj szülői engedélyt, mielőtt online csatlakoznál! | **RO** Cere permisiunea părinților înainte de a te conecta online | **BG** Поискайте разрешение от родител, преди да влезете онлайн | **LV** Pirms došanās tiešsaistē palūdz atļauju vecākiem | **ET** Enne Interneti kasutamist küsi vanematelt luba | **LT** Prieš prisijungdami prie interneto, atsklauskite tėvų



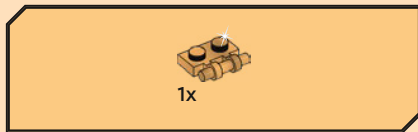
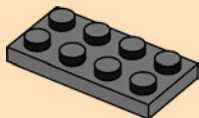




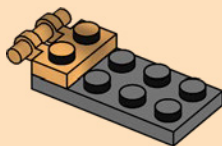




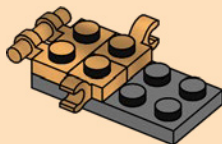
1



2



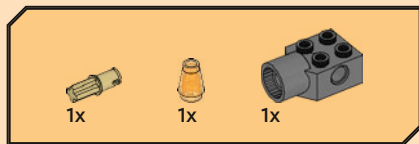
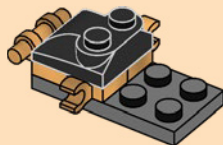
3



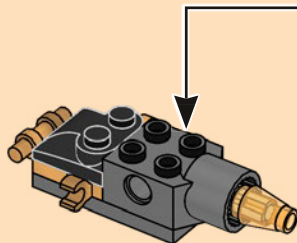
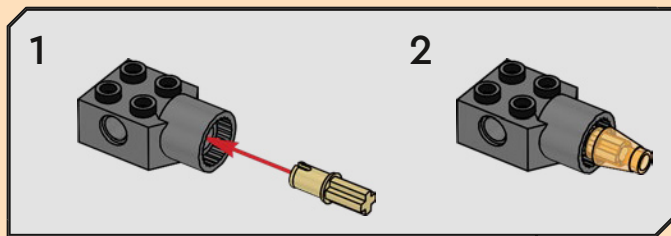




4

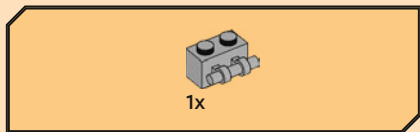
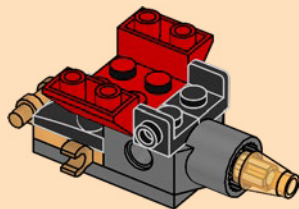


5

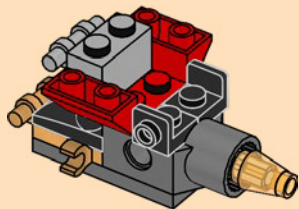




6



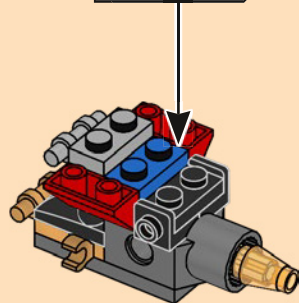
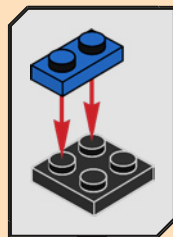
7

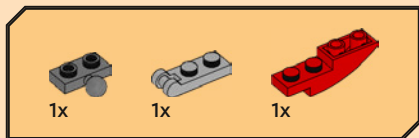


10

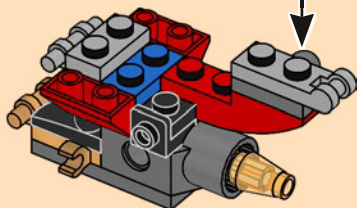
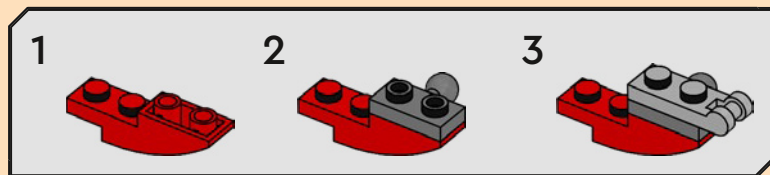


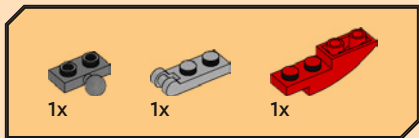
8



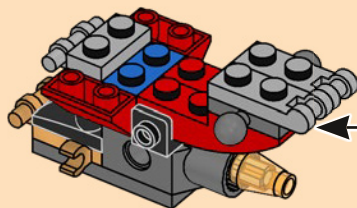
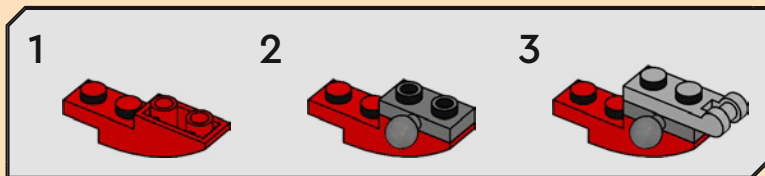


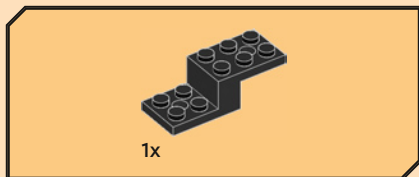
9



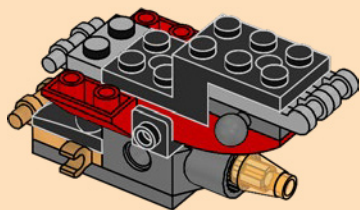


10

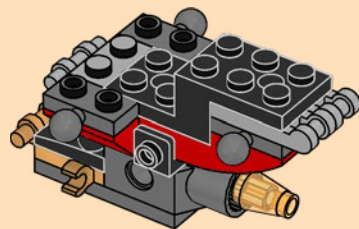




11



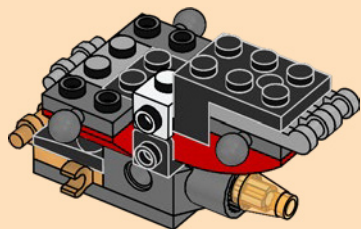
12





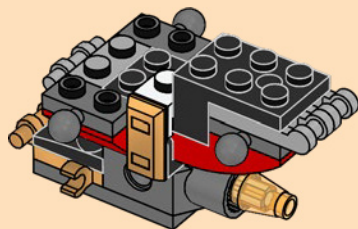
1x

13



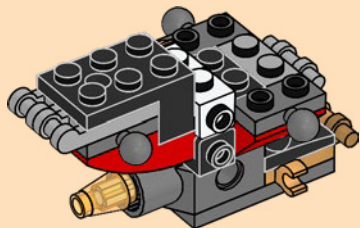
1x

14

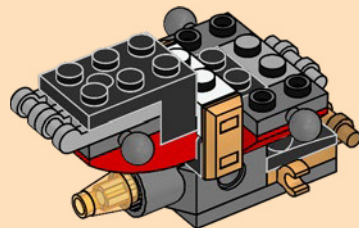


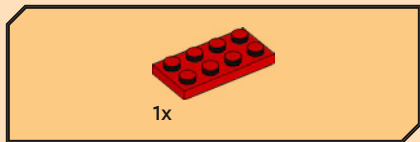


15

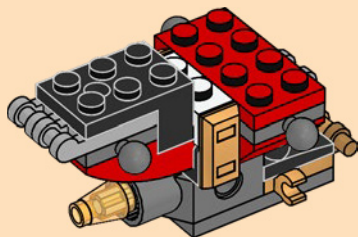


16

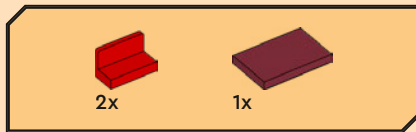




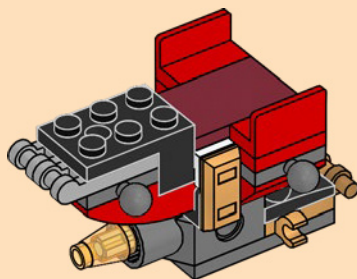
17



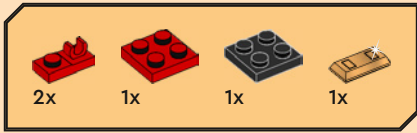
16



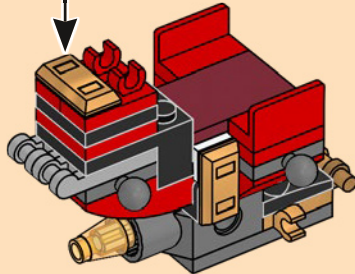
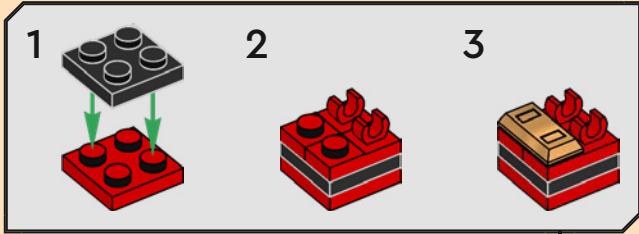
18

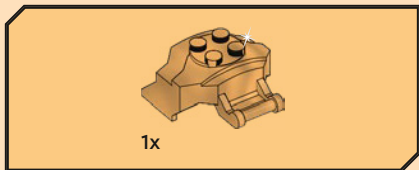




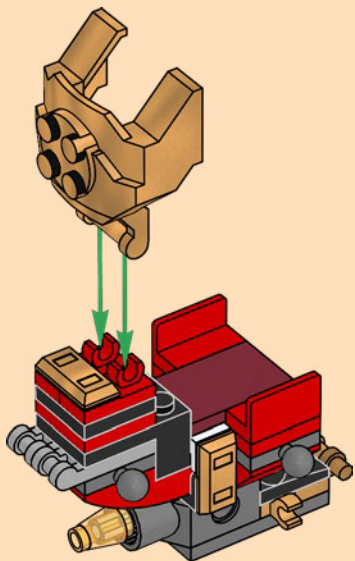


19

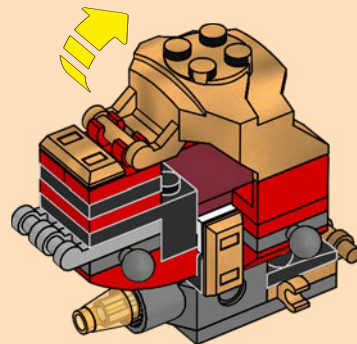


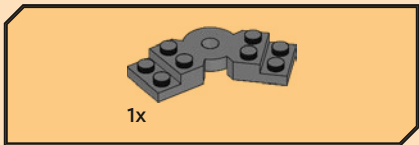
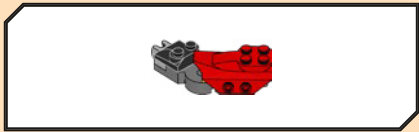


20

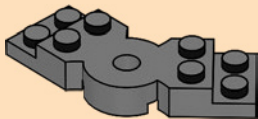


21

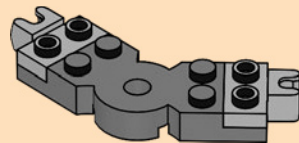




22

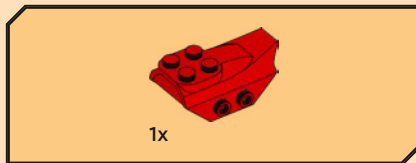
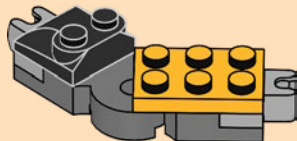


23

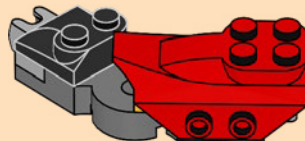




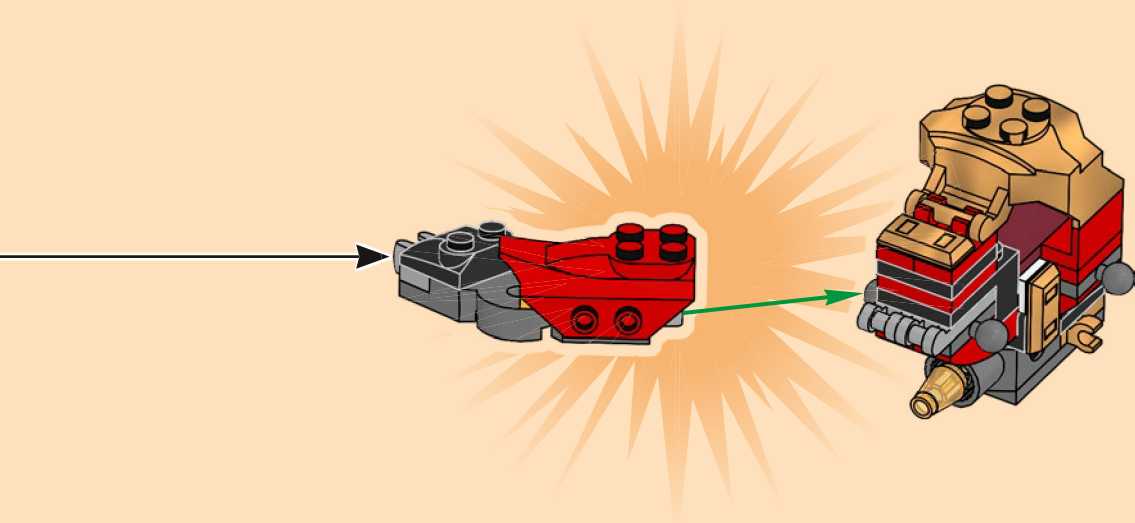
24

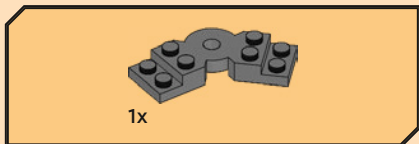


25

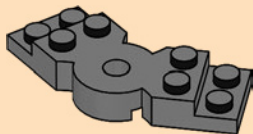


26

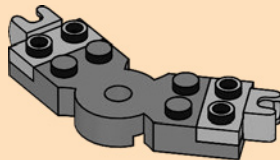




27

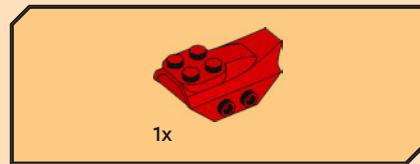
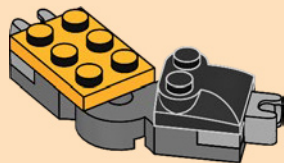


28

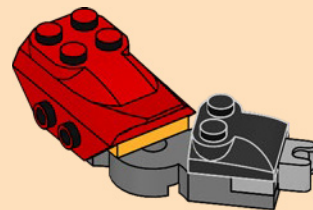




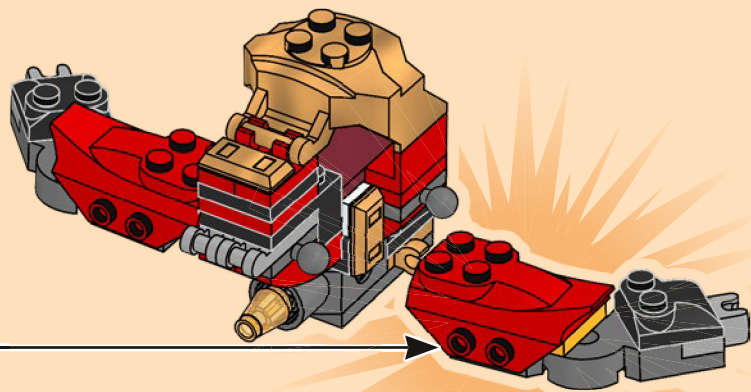
29



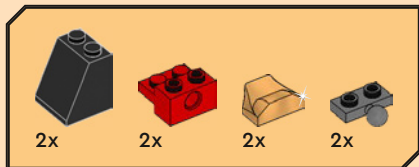
30



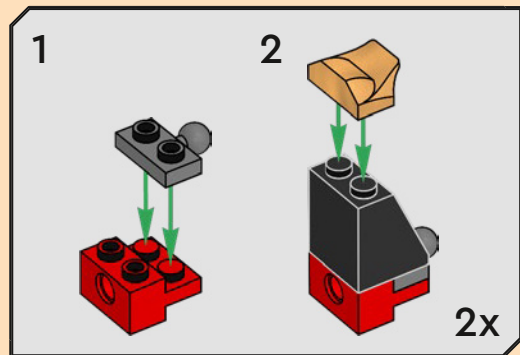
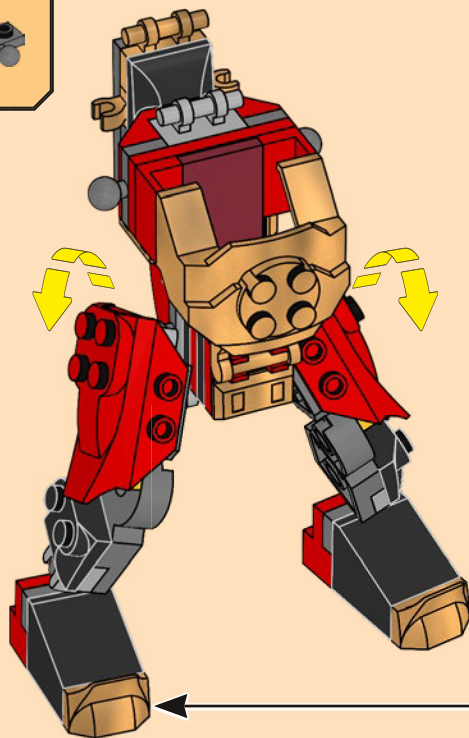
31

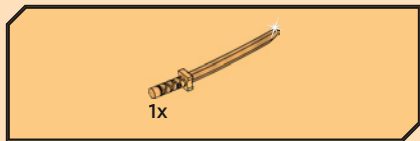




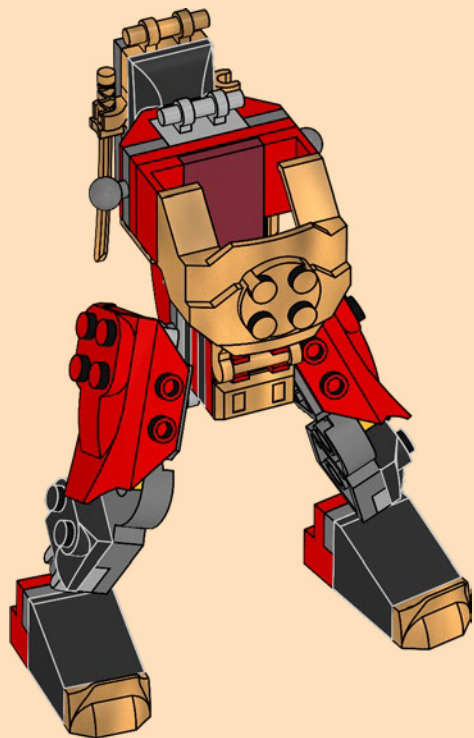


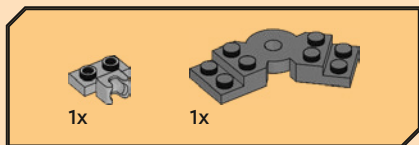
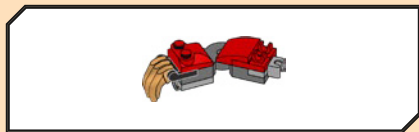
32



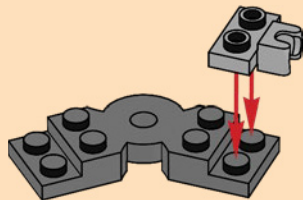


33

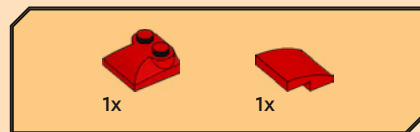




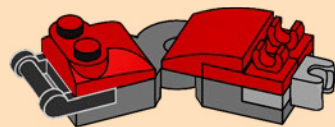
34



35



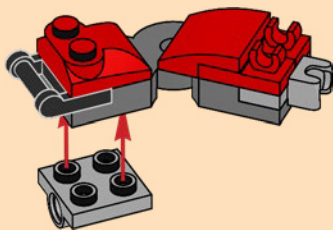
36





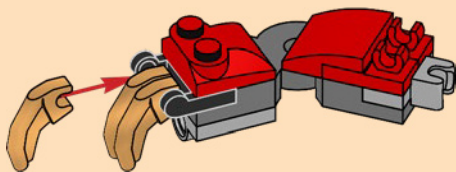
1x

37

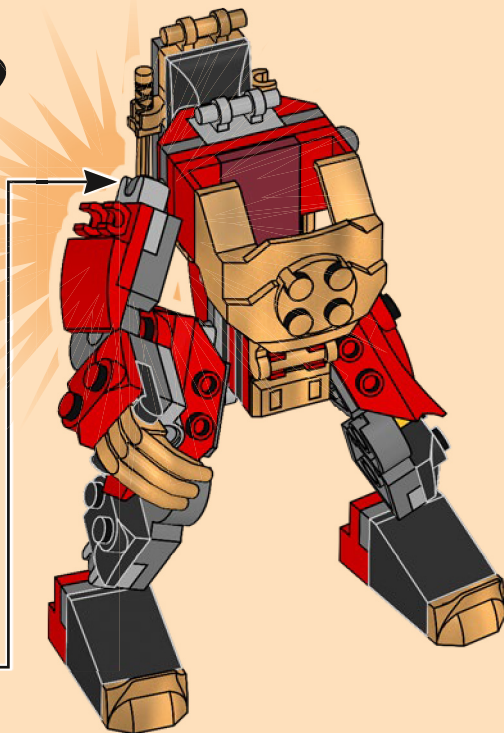


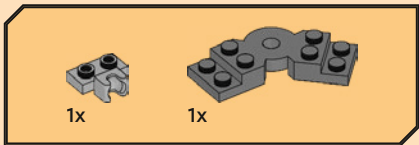
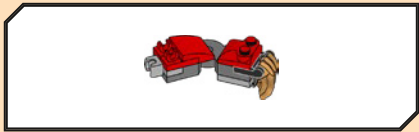
3x

38

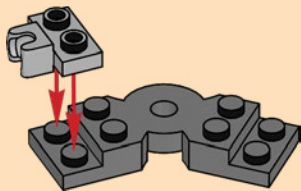


39

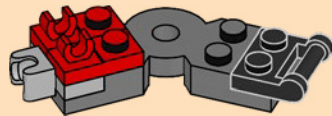


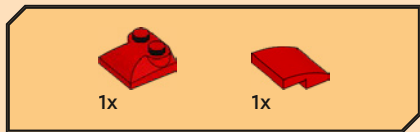


40

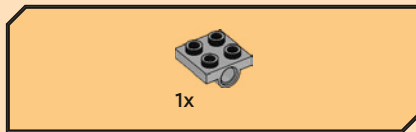
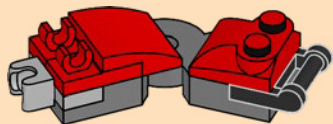


41

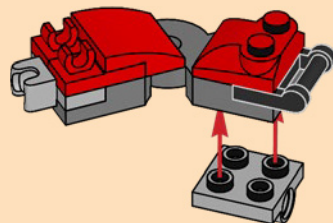




42

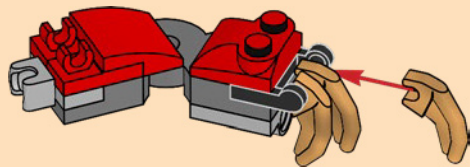


43

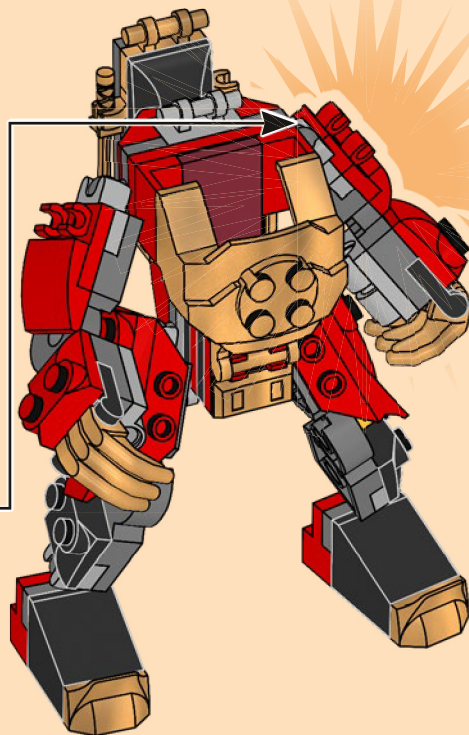


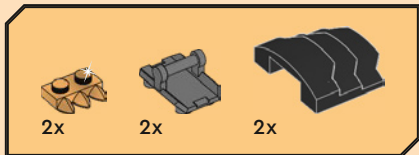


44



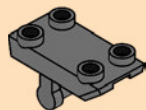
45



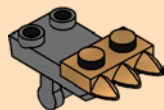


46

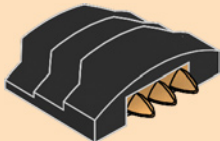
1



2



3

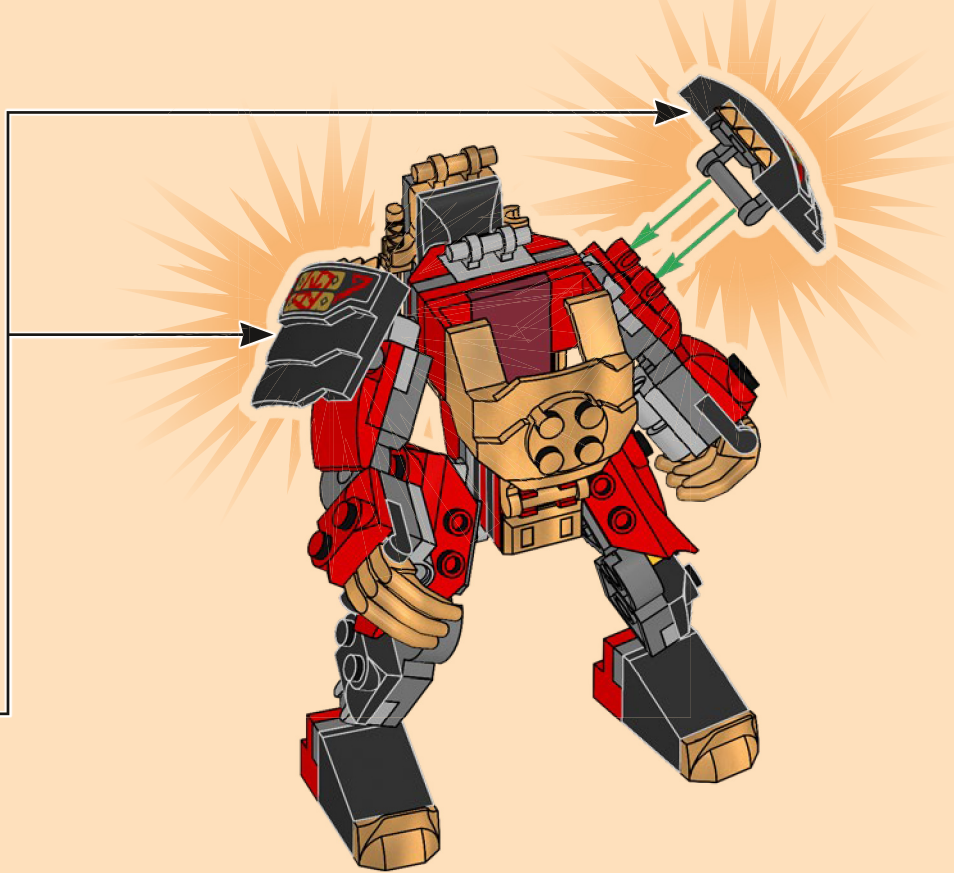


4



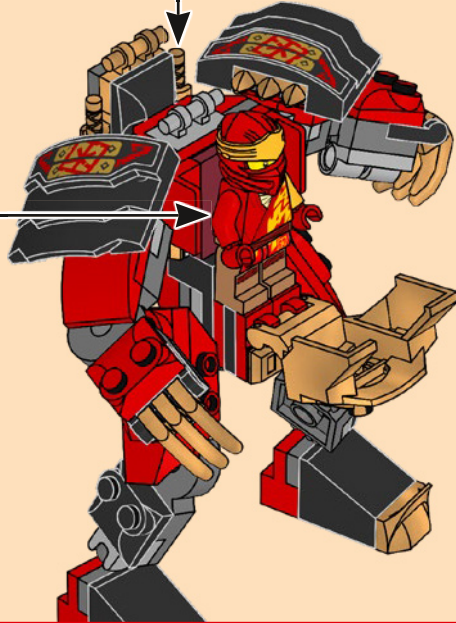
2x



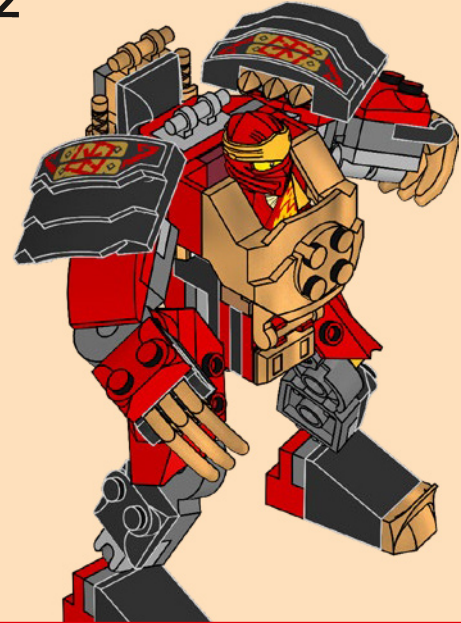


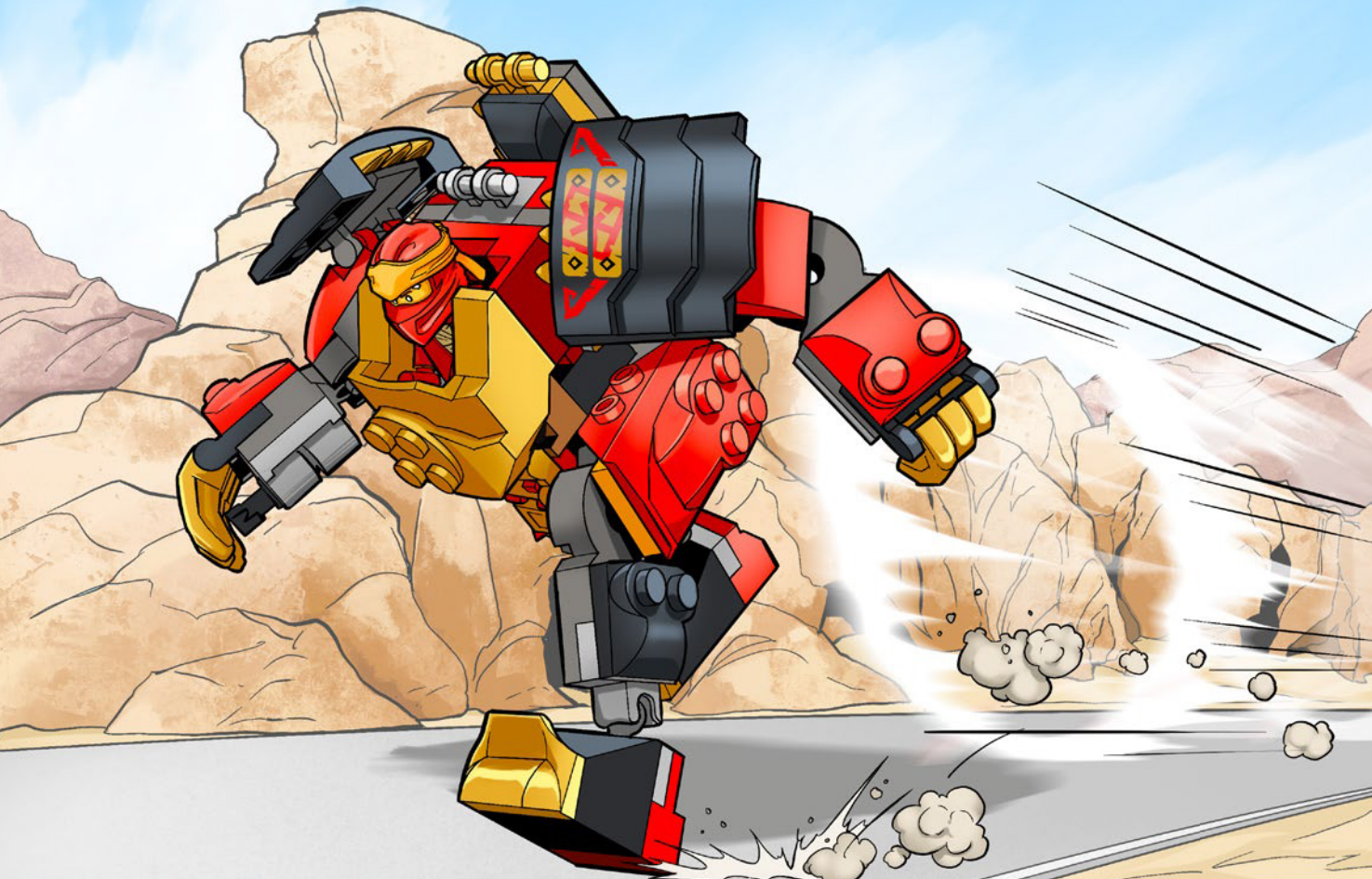


1

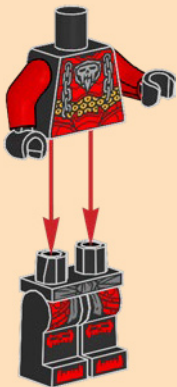


2

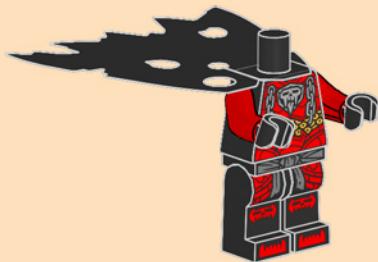




1



2



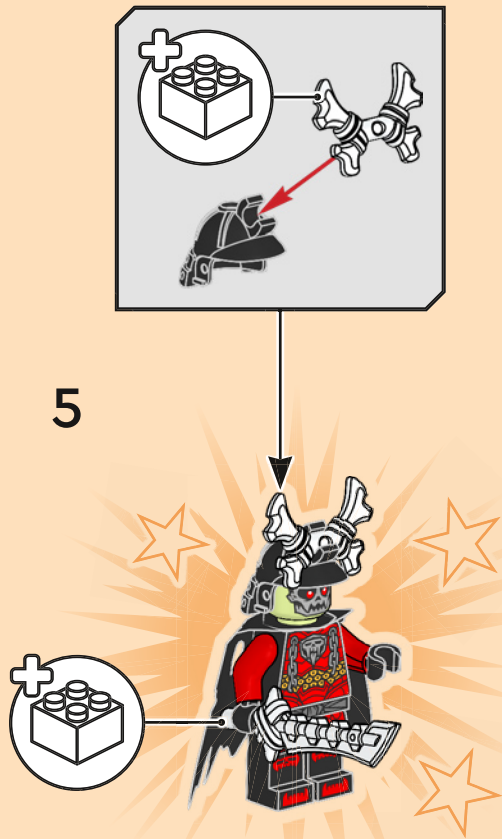
3



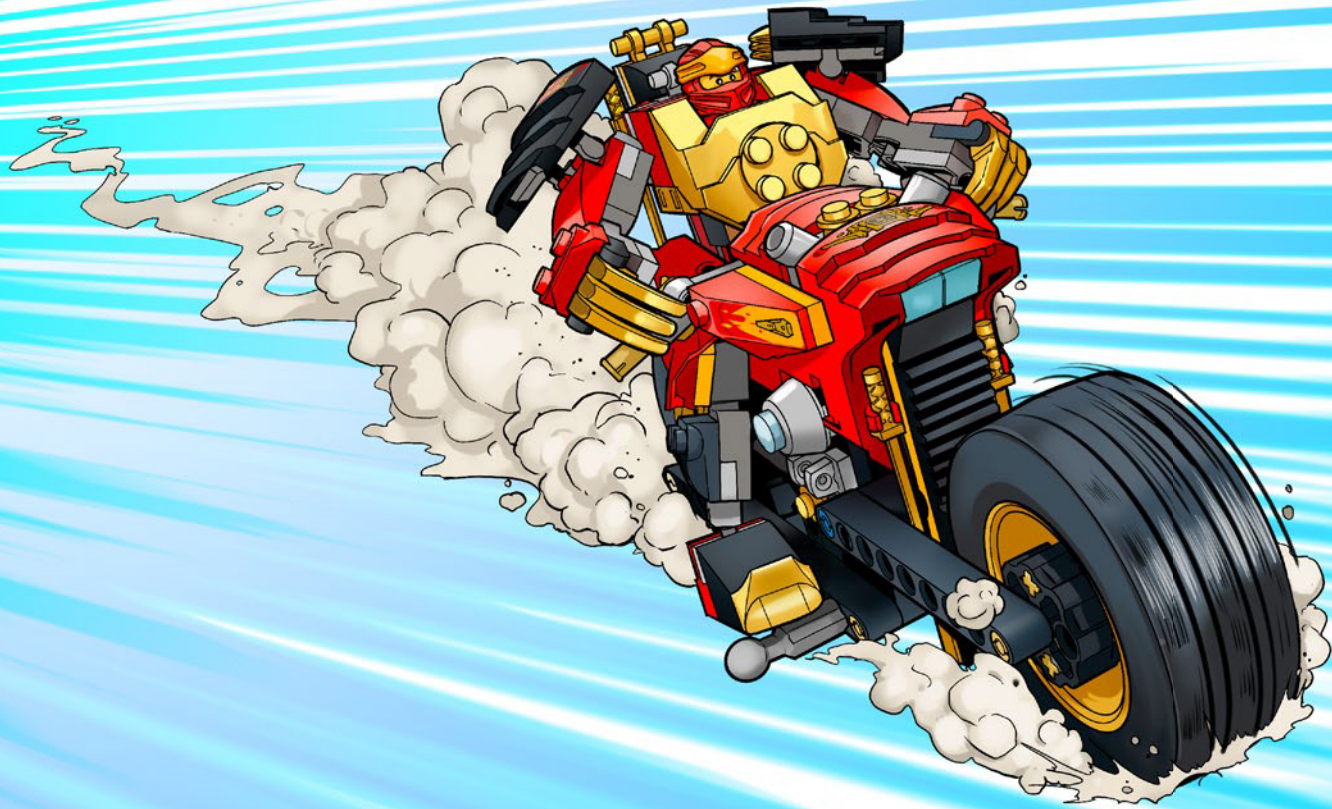
4

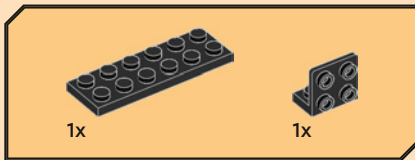
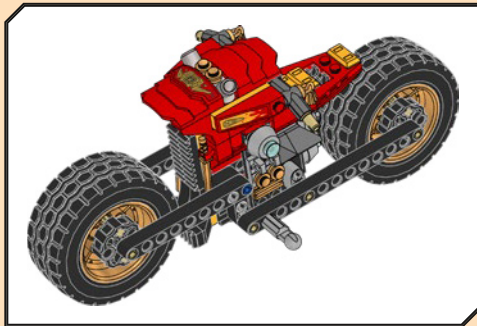


5

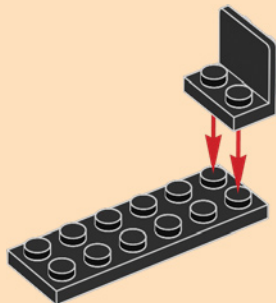




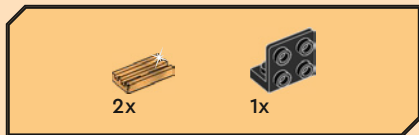




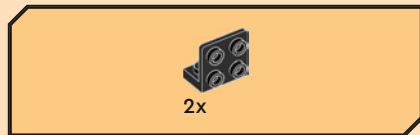
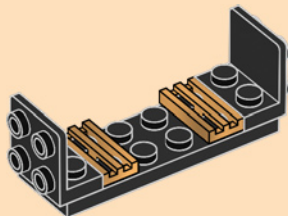
1



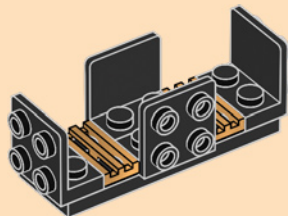


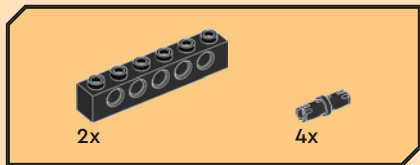


2

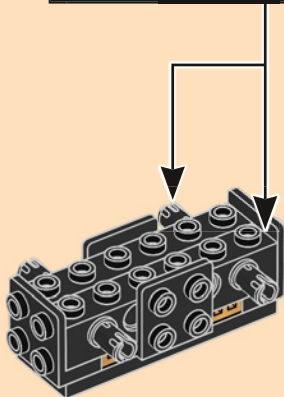
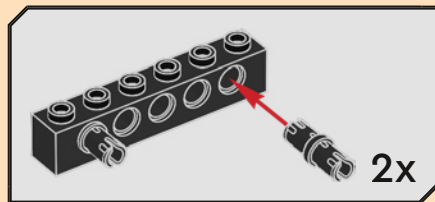


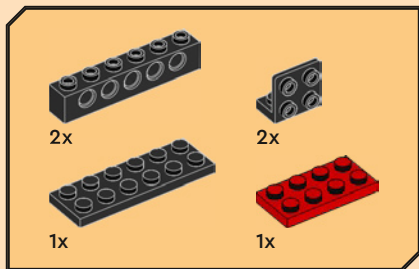
3





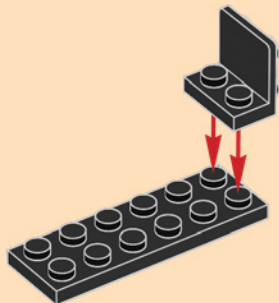
4



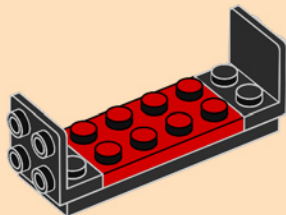


5

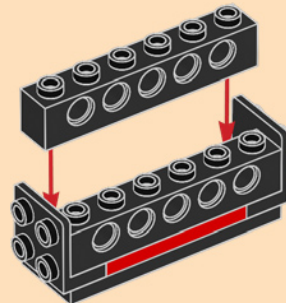
1

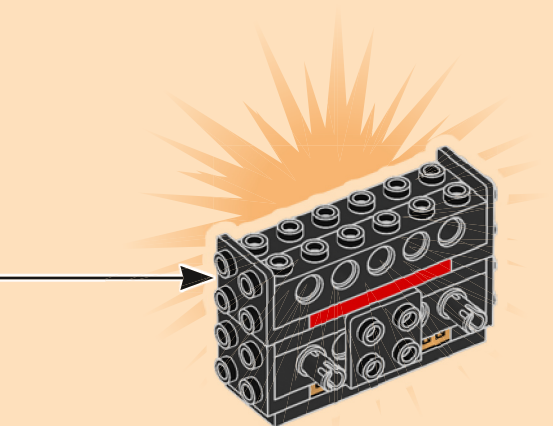


2

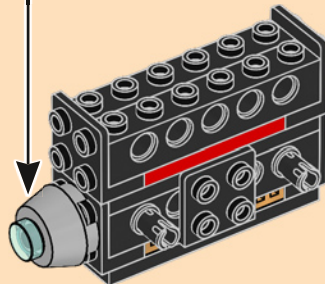
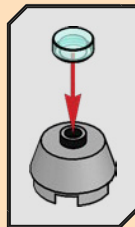


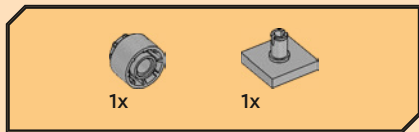
3



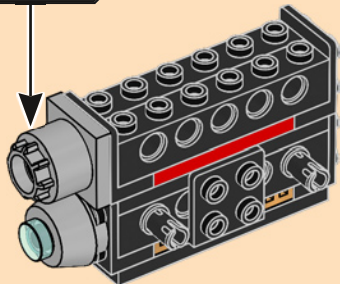
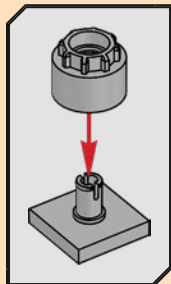


6

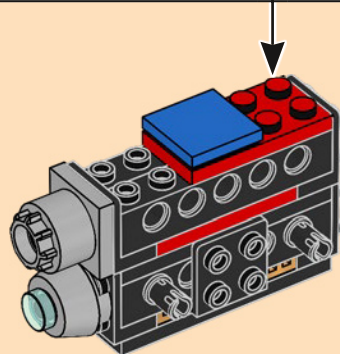
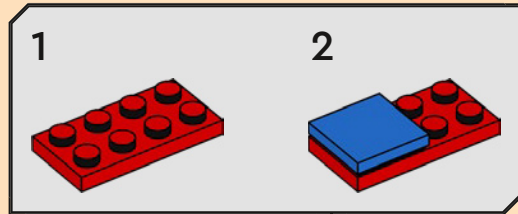


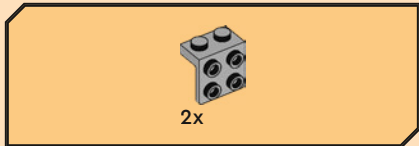


7

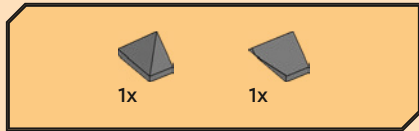
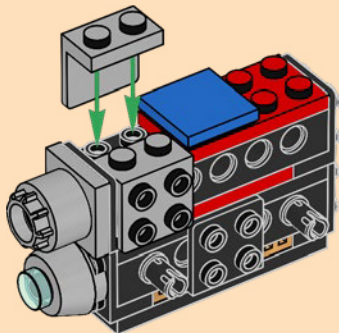


8

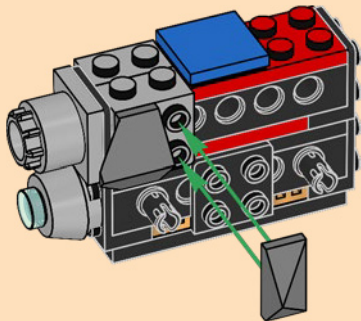


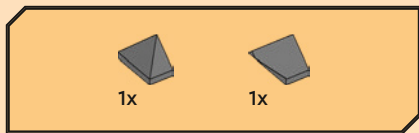


9

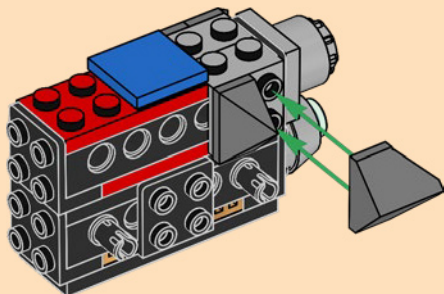


10

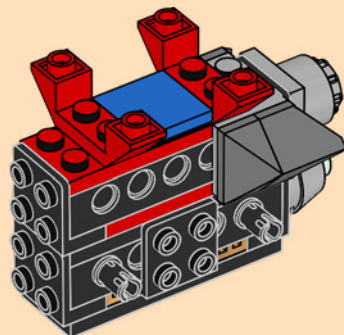


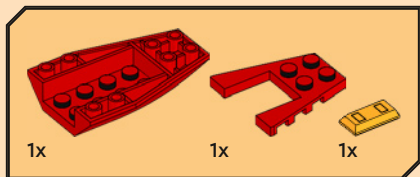


11

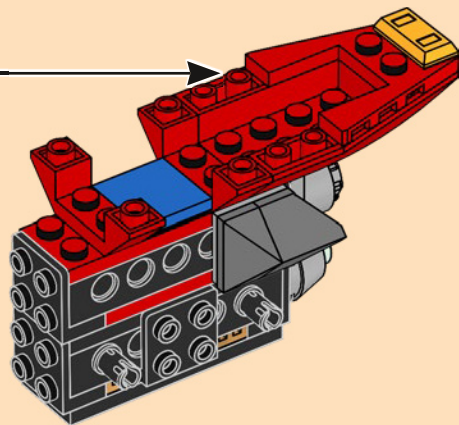
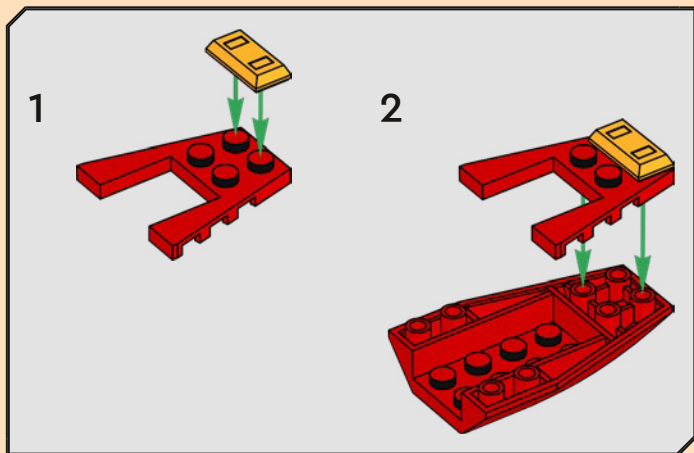


12

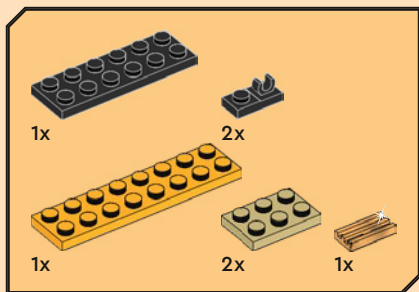




13

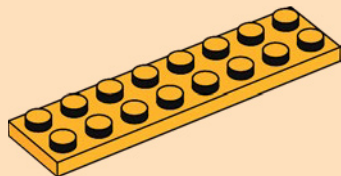




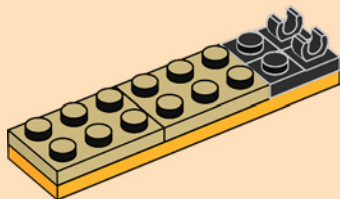


14

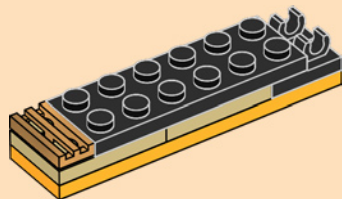
1

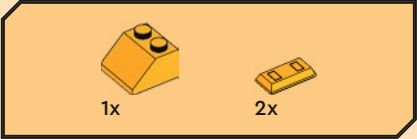


2

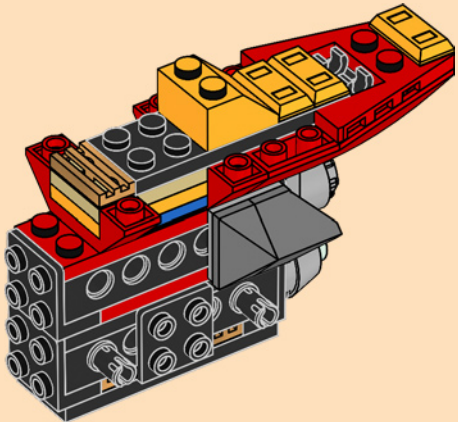
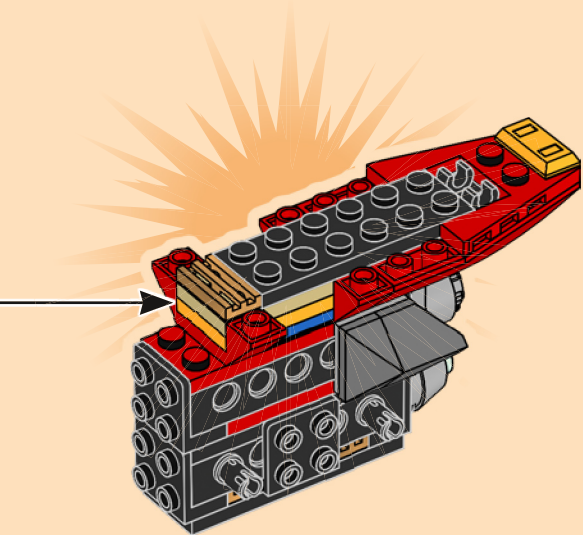


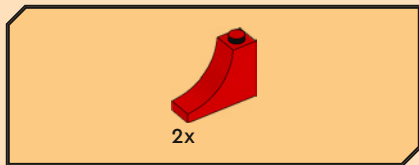
3



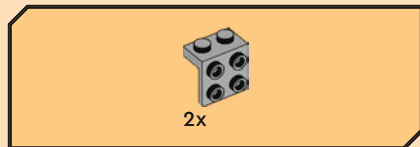
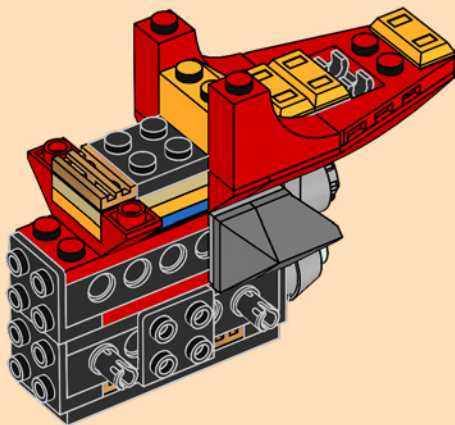


15

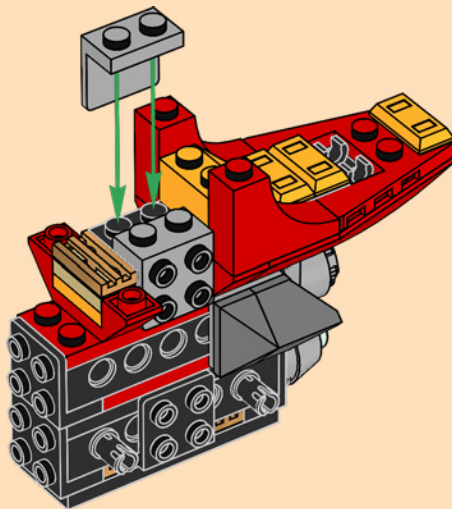




16



17





2x



2x



4x



2x



2x



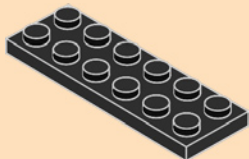
2x



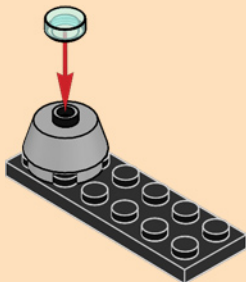
4x

18

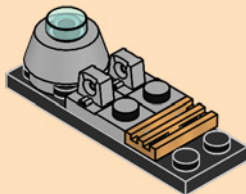
1



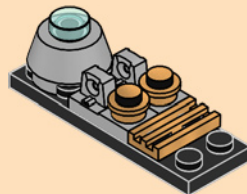
2



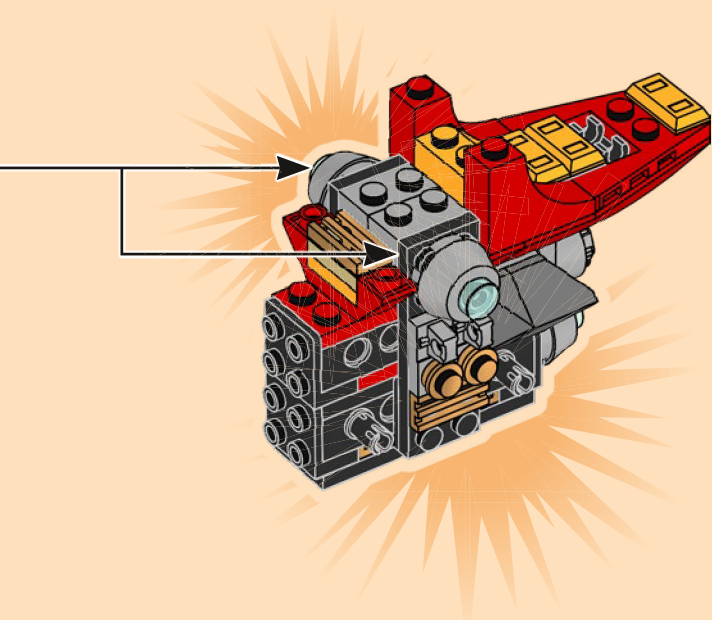
3



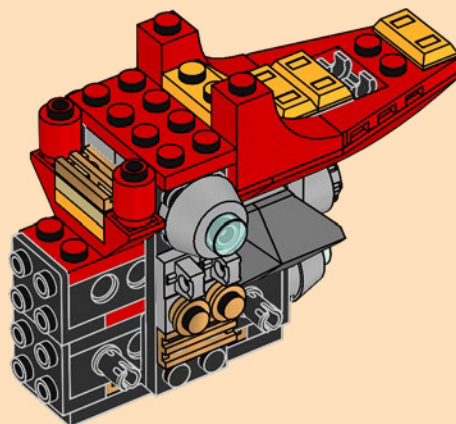
4

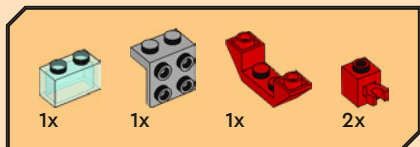


2x

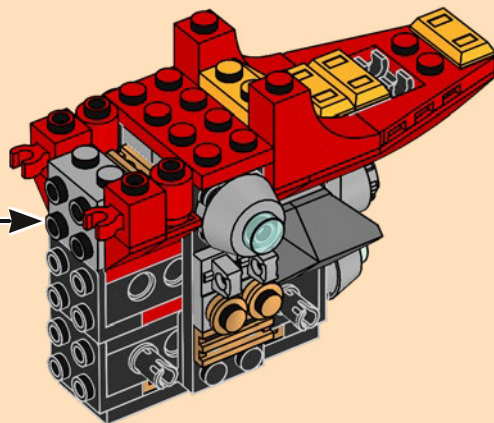
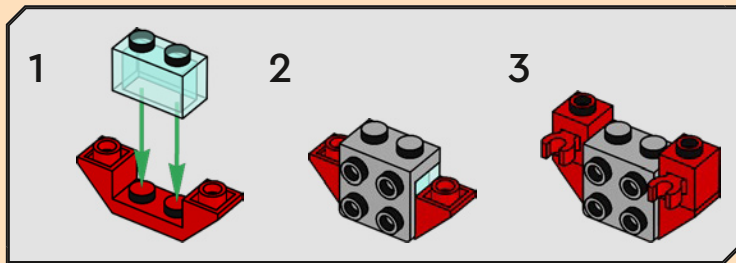


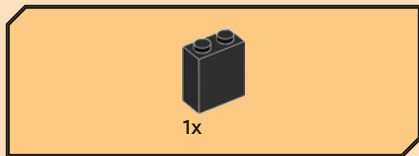
19



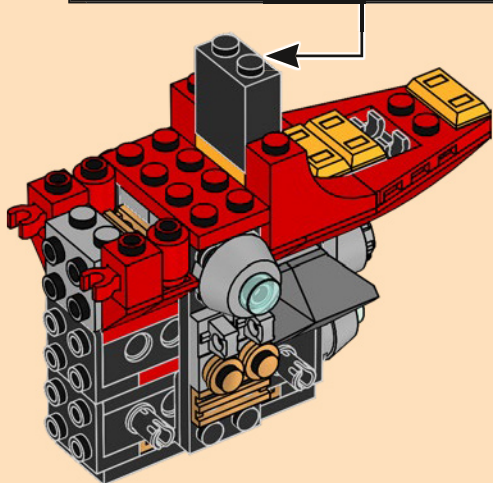
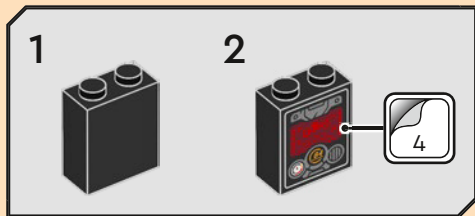


20

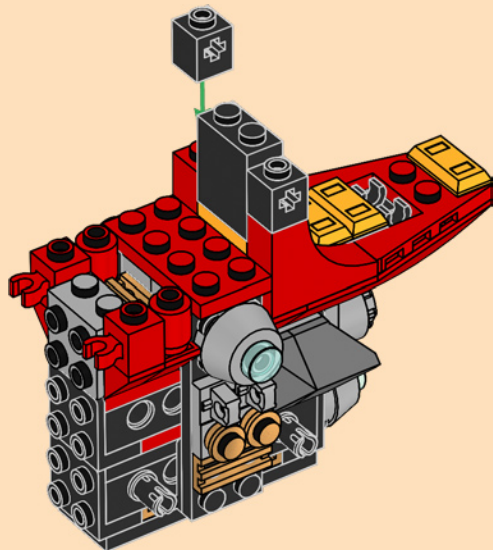


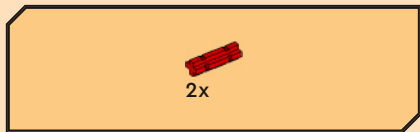


21

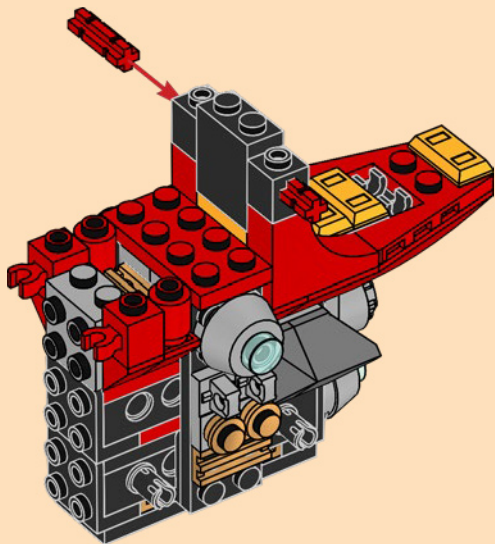


22

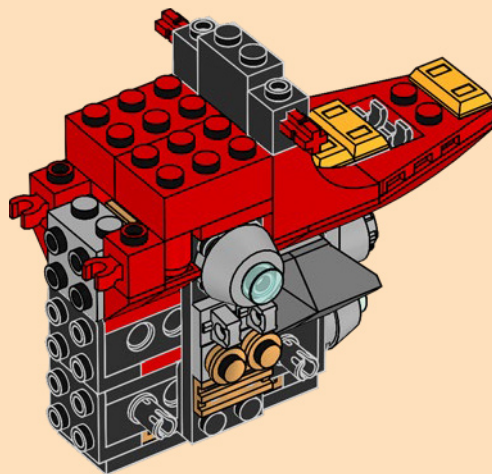




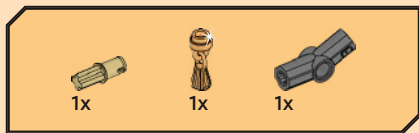
23



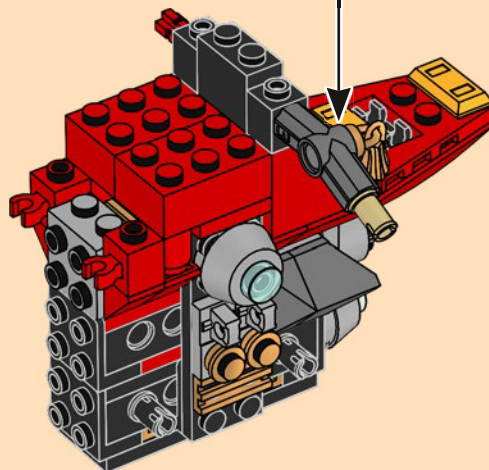
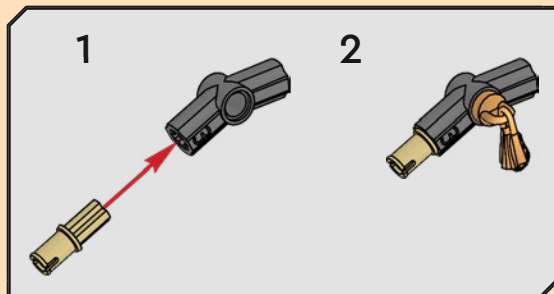
24

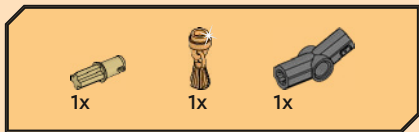




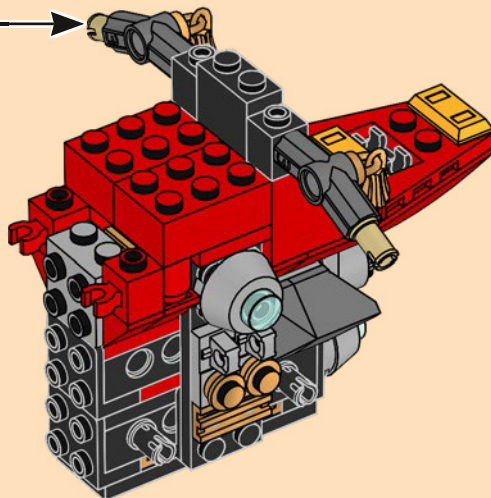
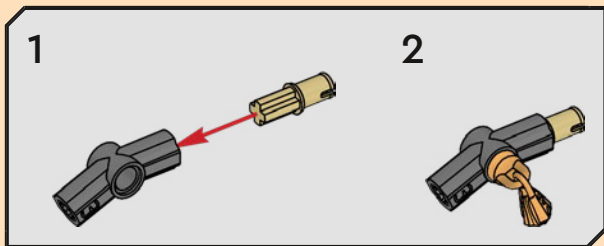


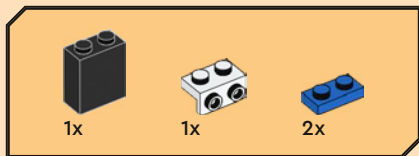
25



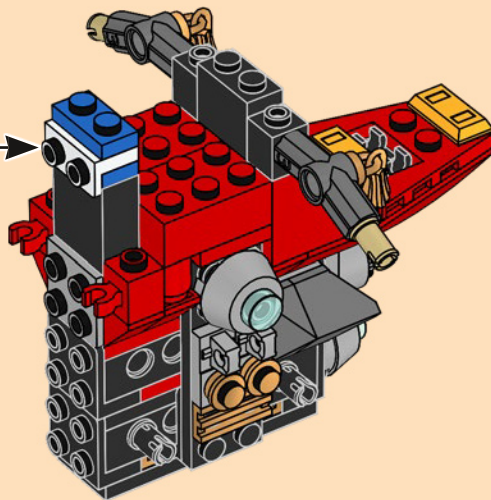
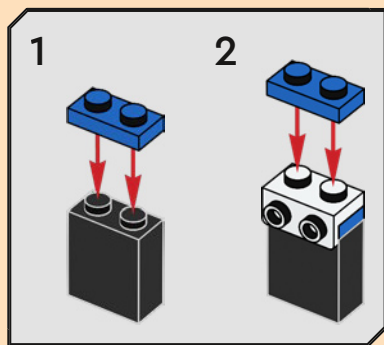


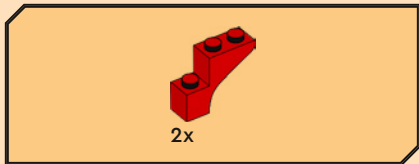
26



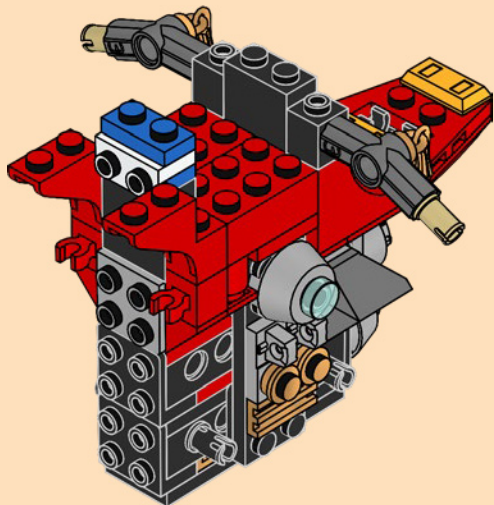


27

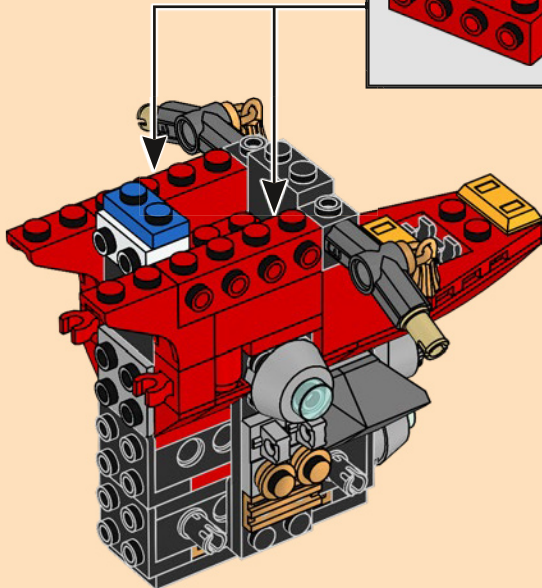
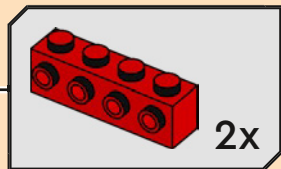




28



29



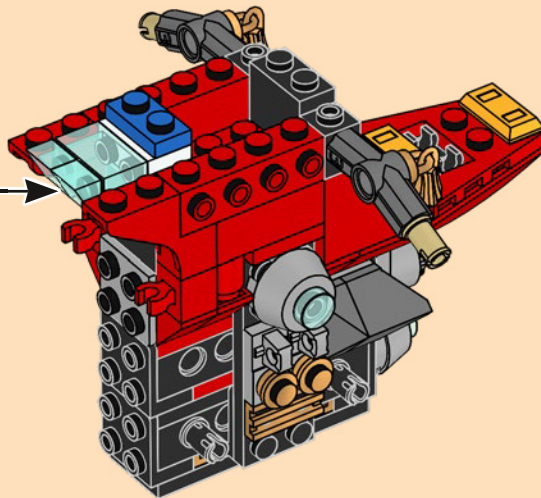
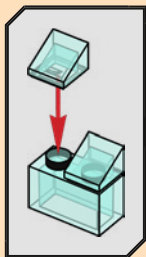


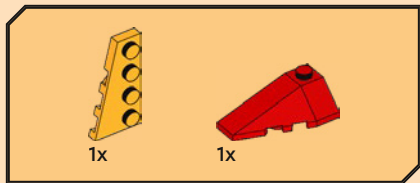
1x



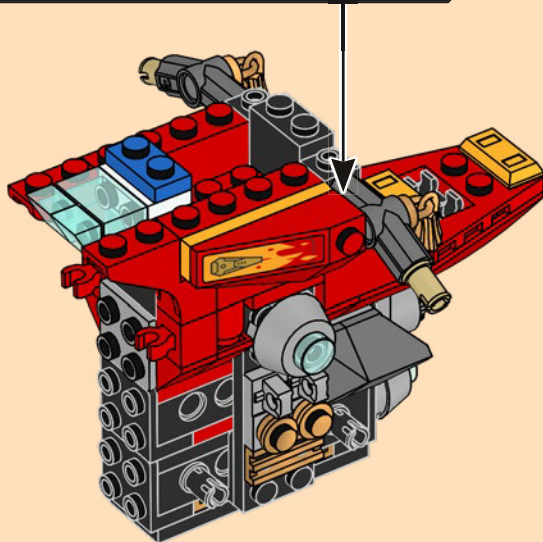
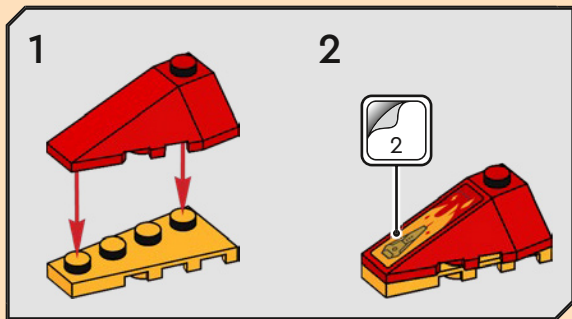
2x

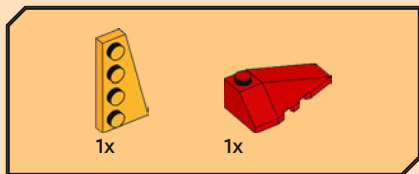
30



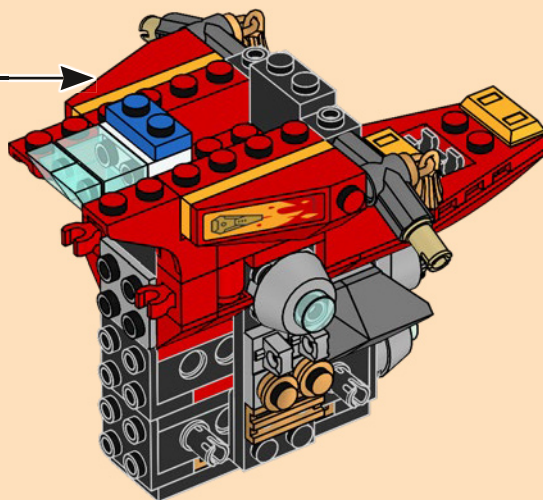
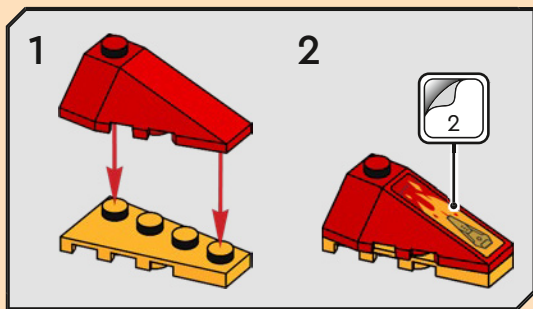


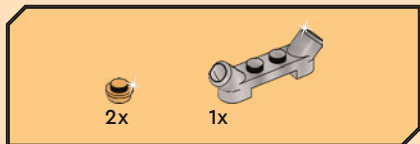
31



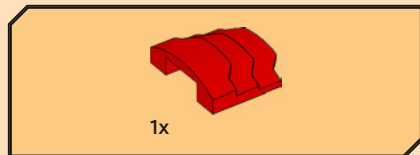
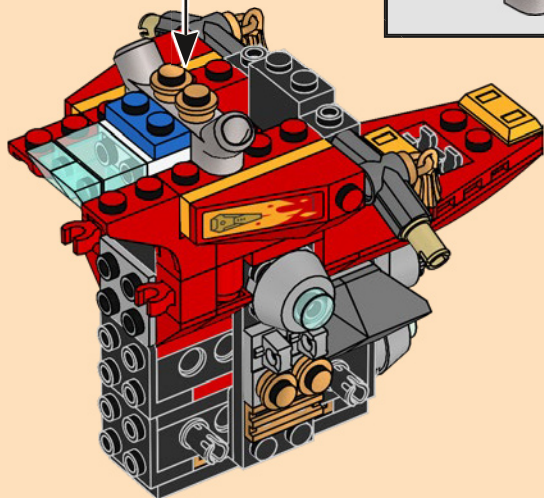
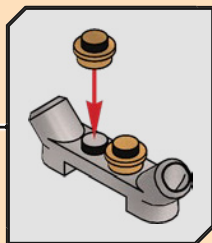


# 32

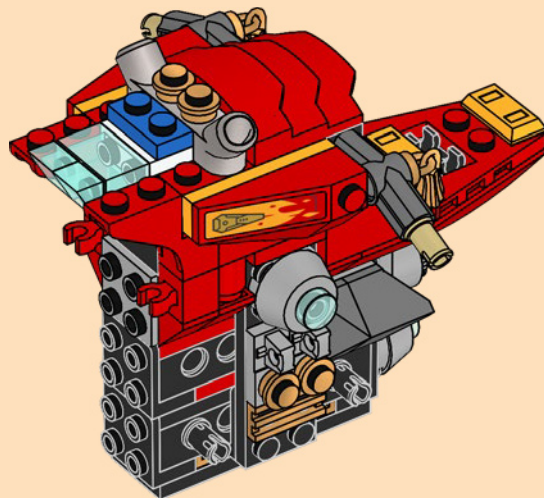




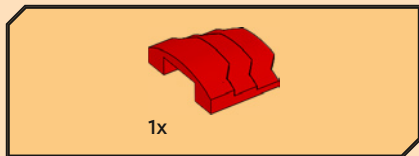
33



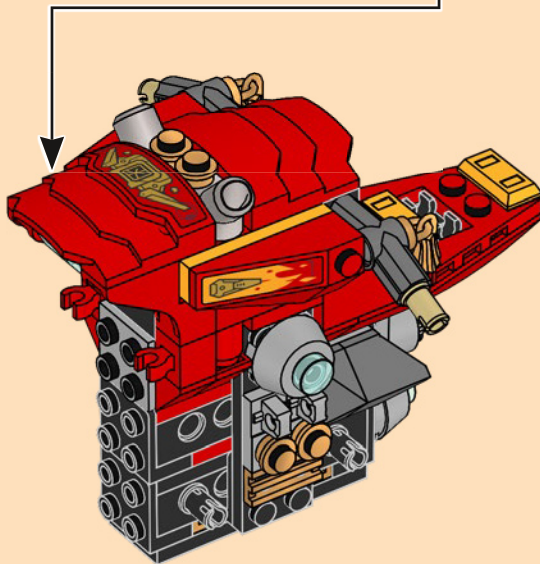
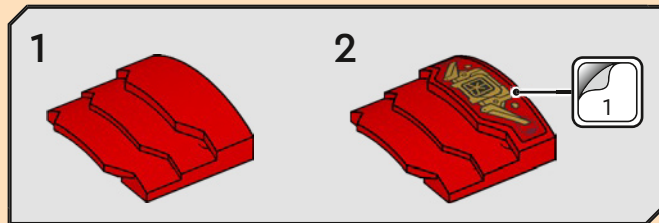
34

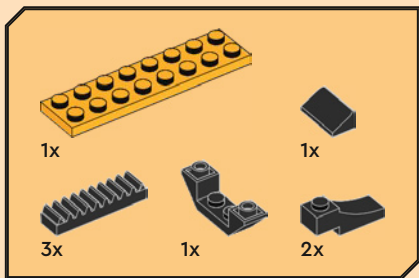
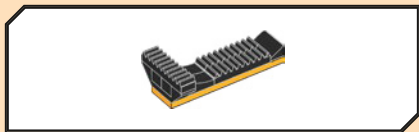




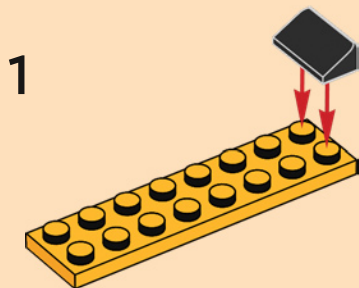


35

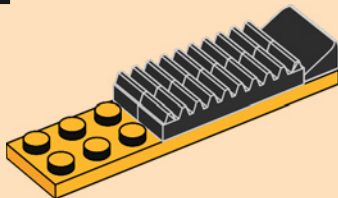




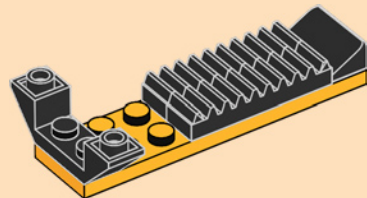
36



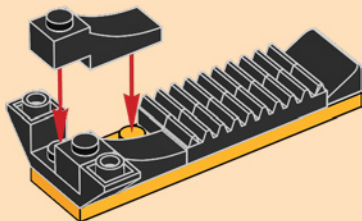
2



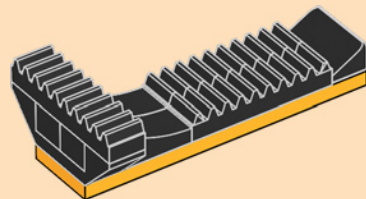
3

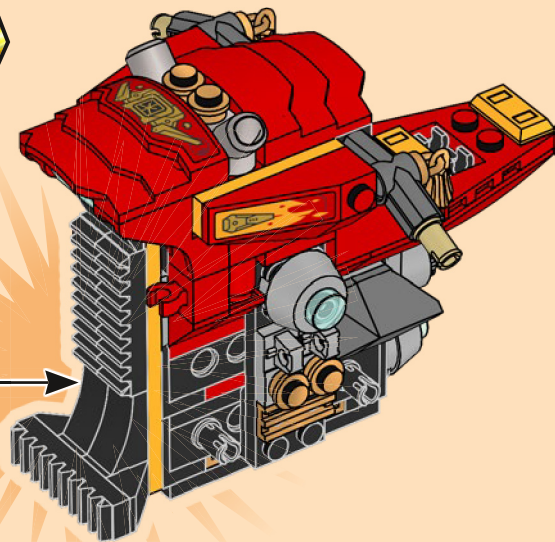


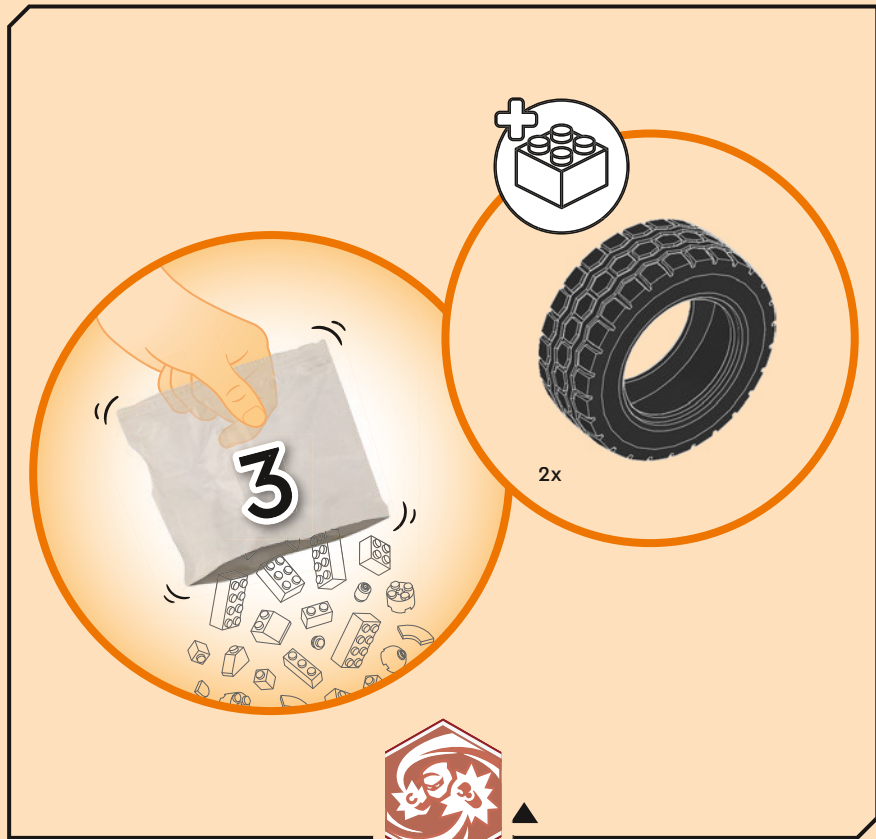
4



5





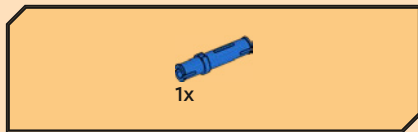
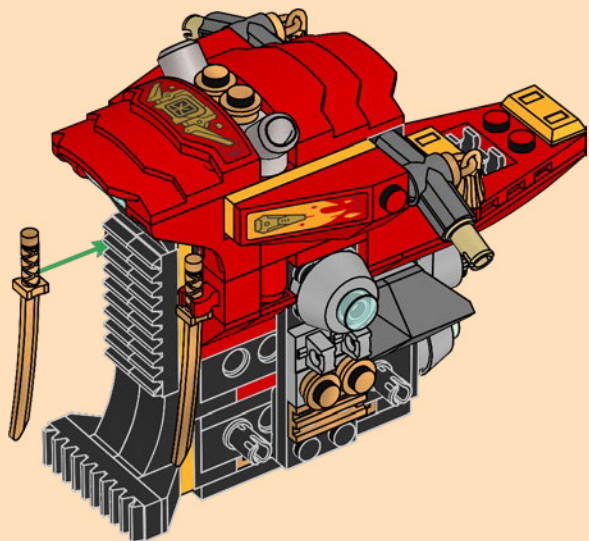


2x

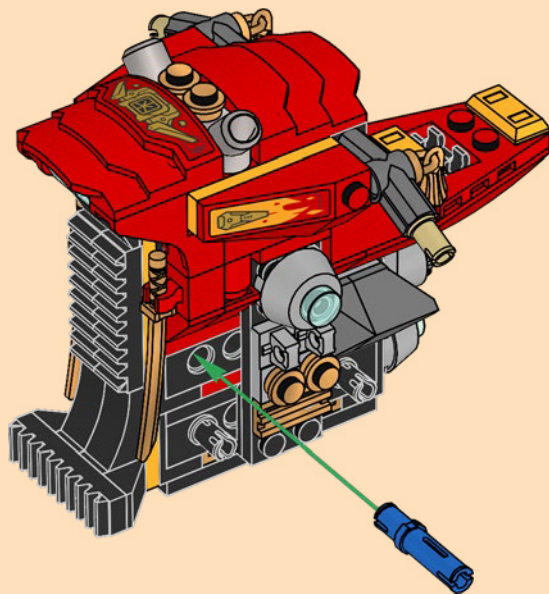


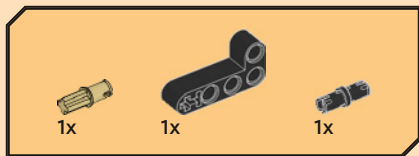


37

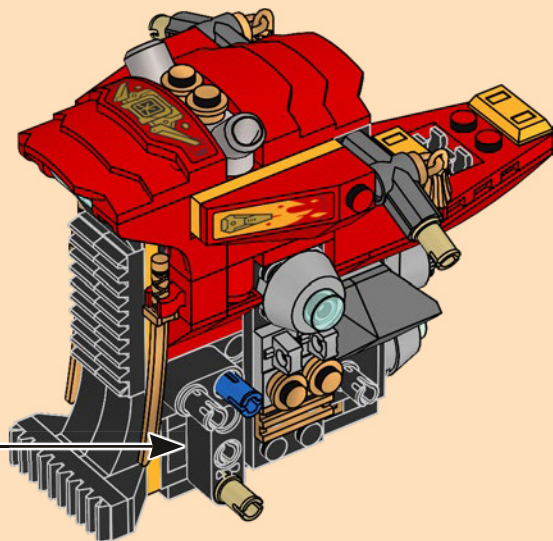
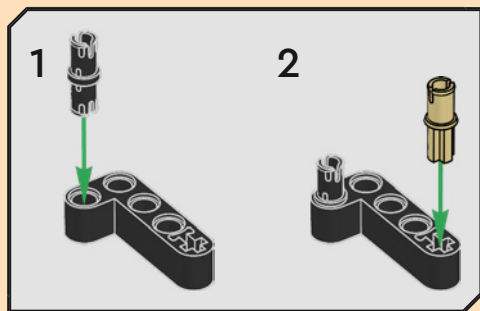


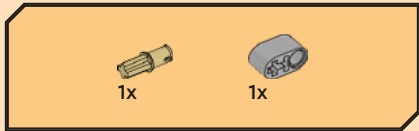
38



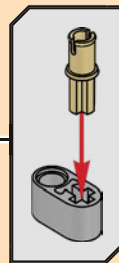
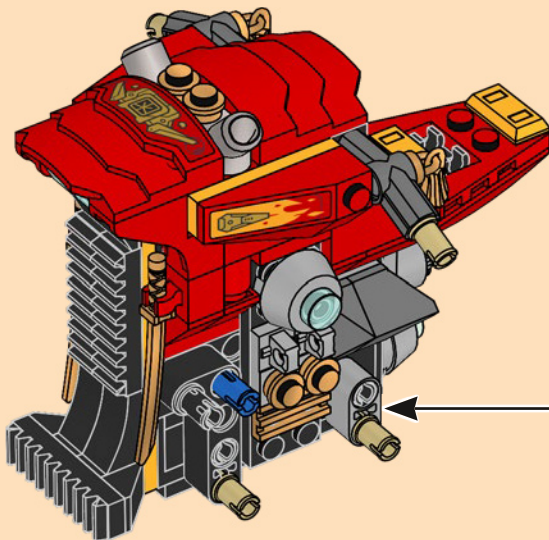


39

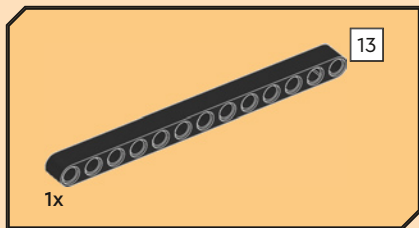




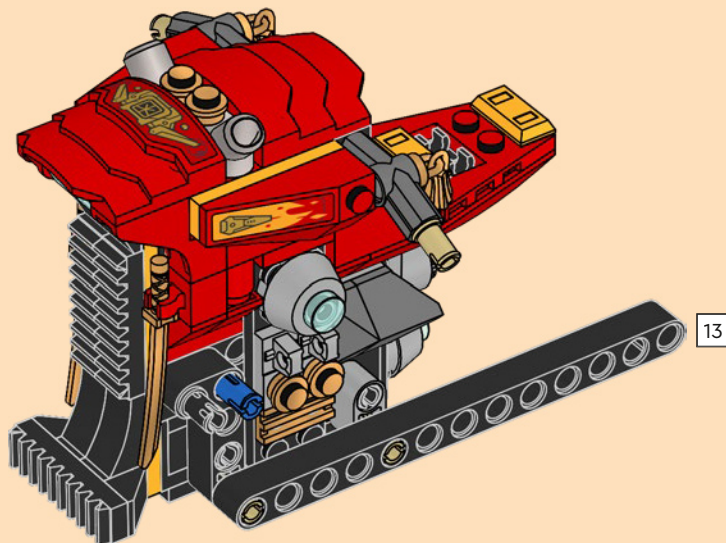
40

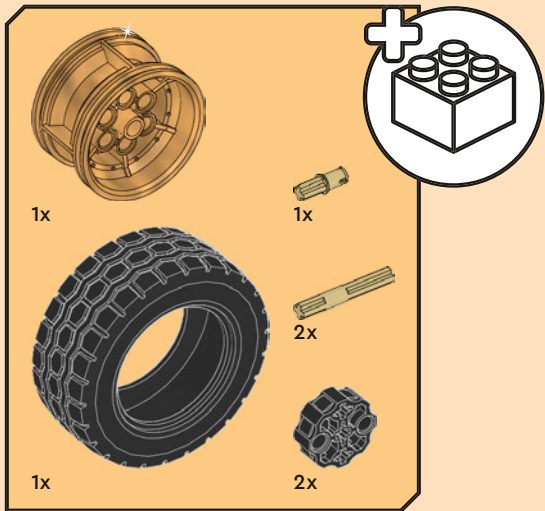
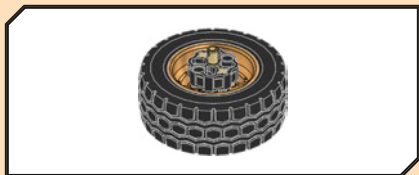




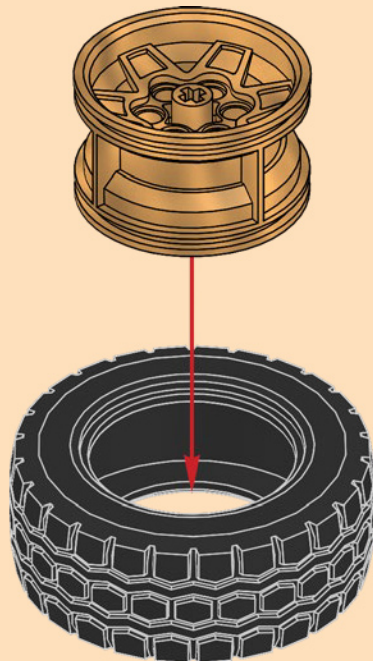


41



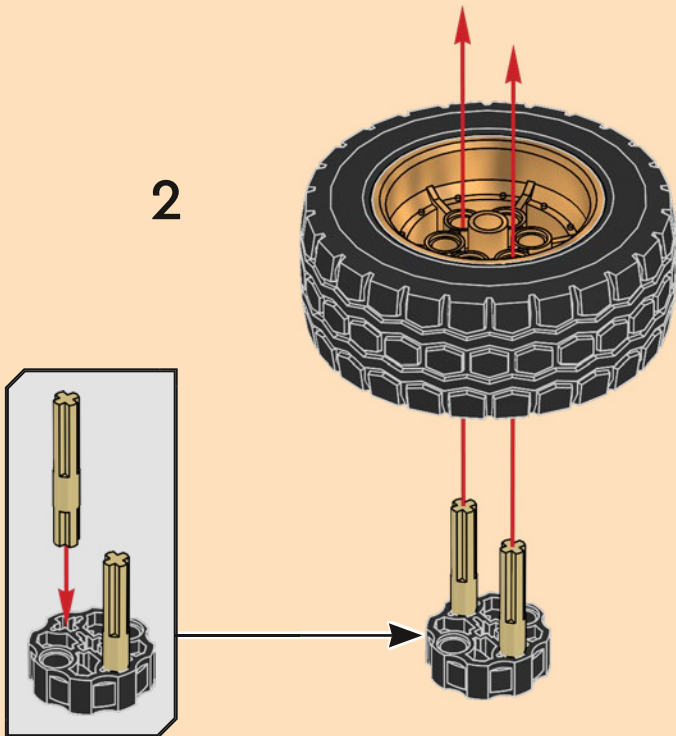


1

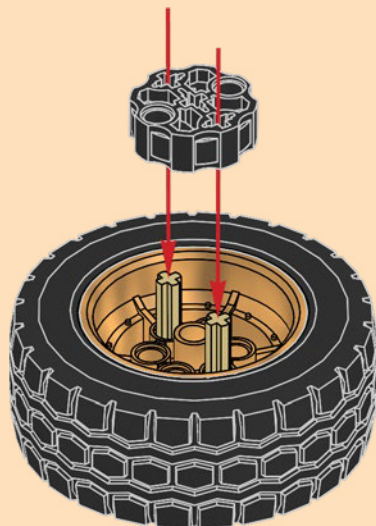


42

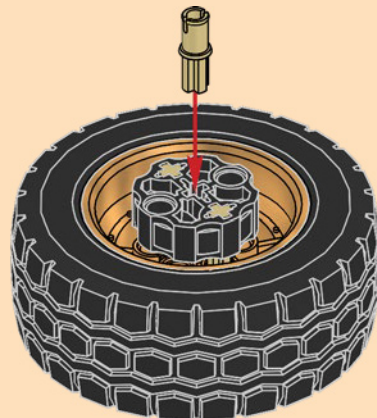
2

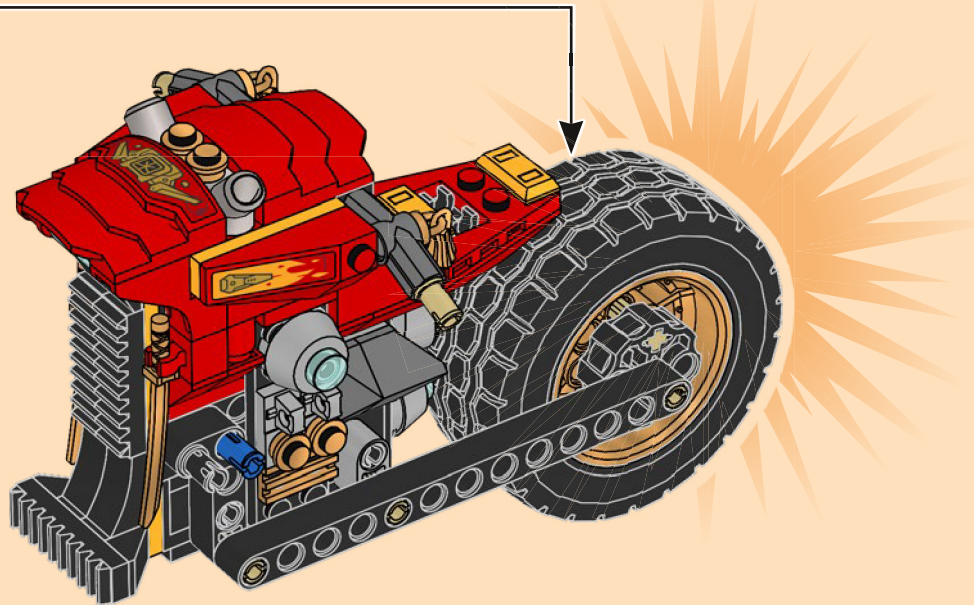


3



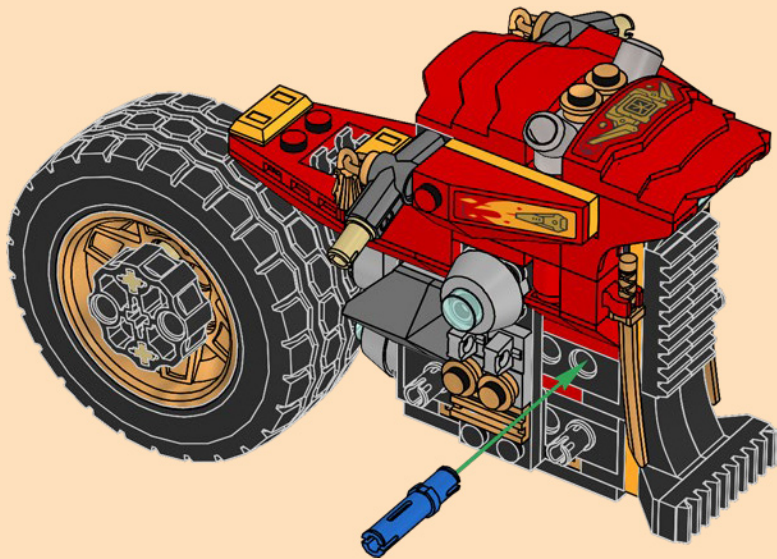
4

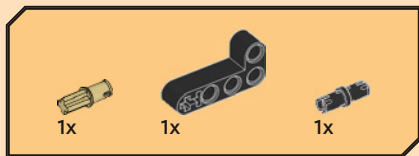




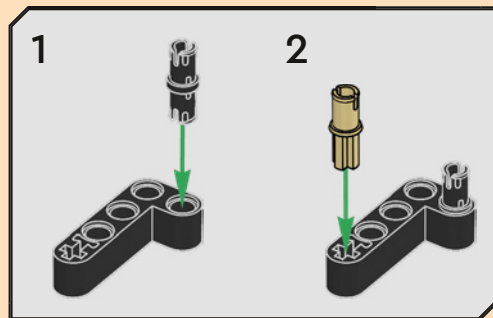
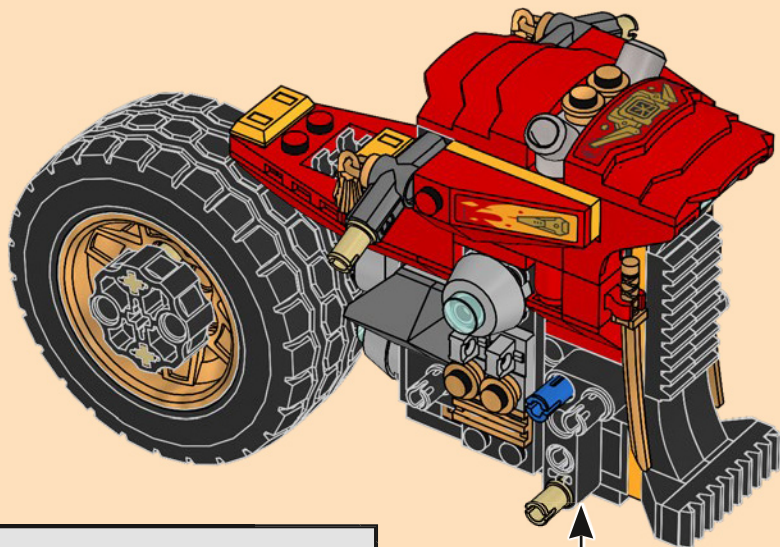


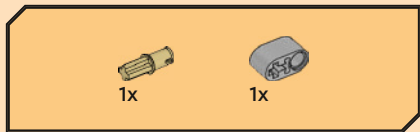
43



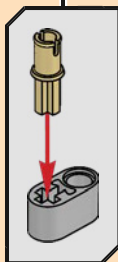
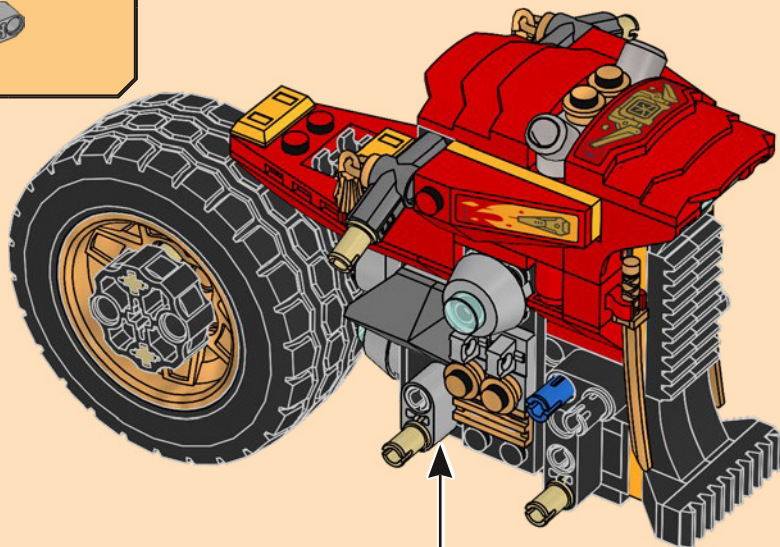


44





45

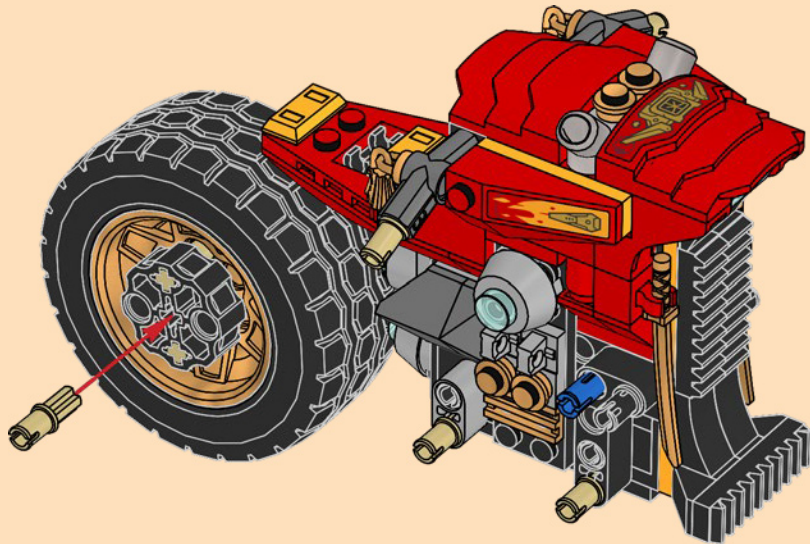


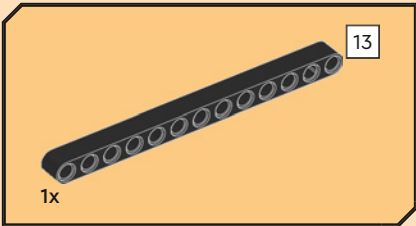




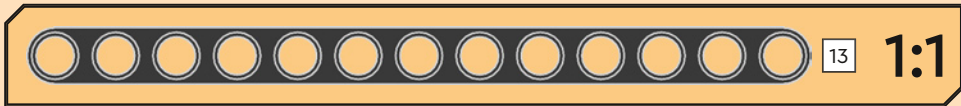
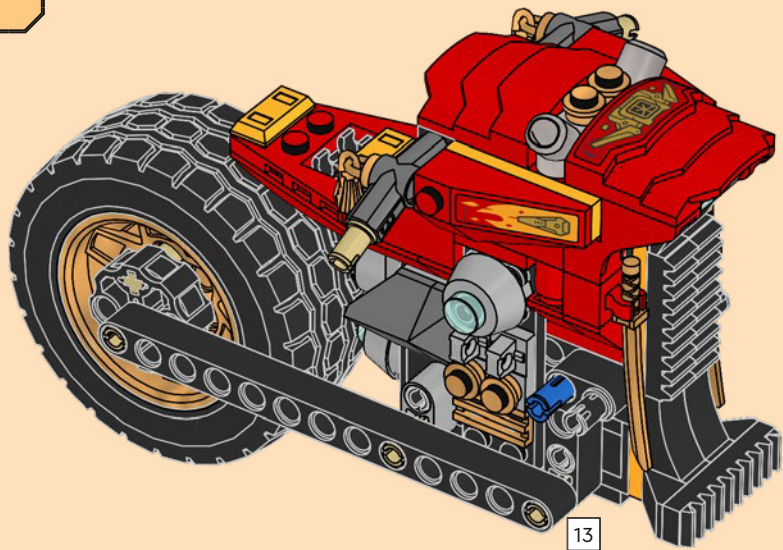
1x

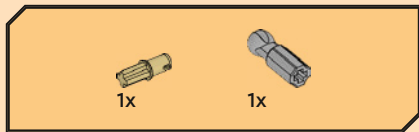
46



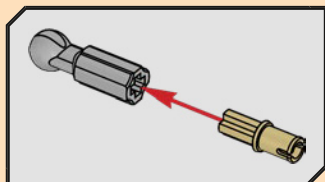
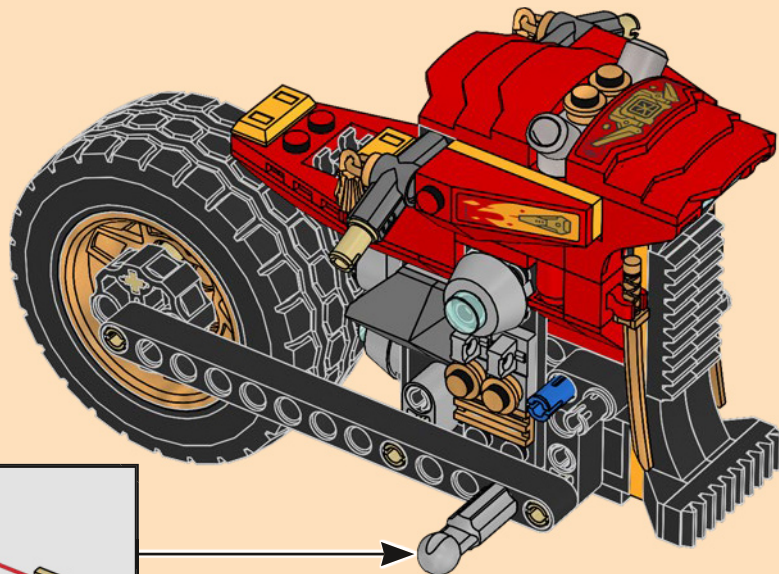


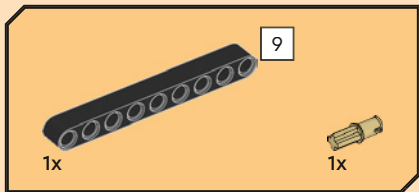
47



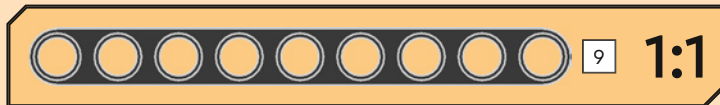
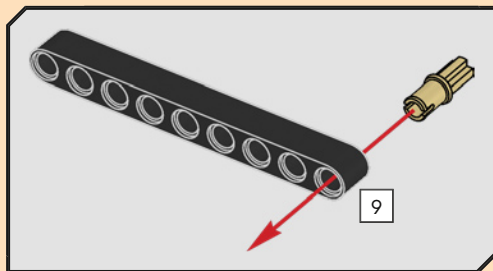
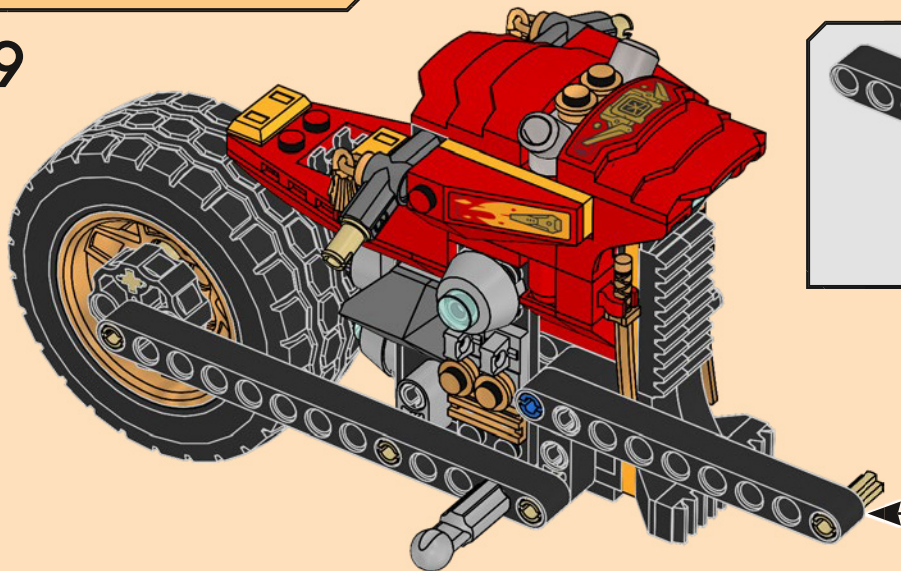


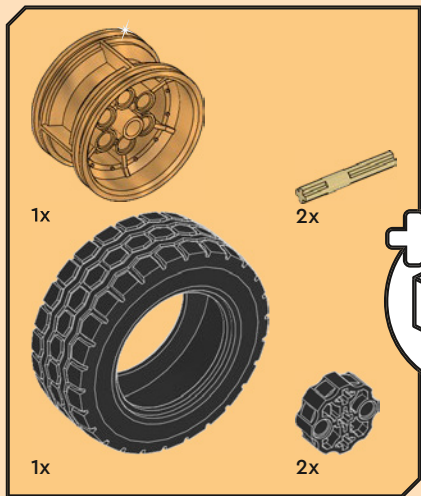
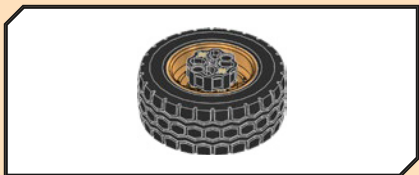
48





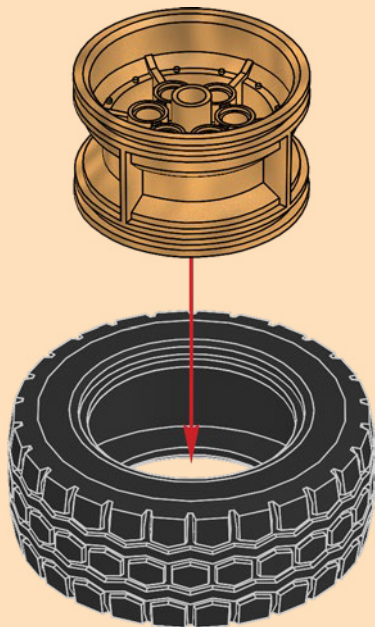
49



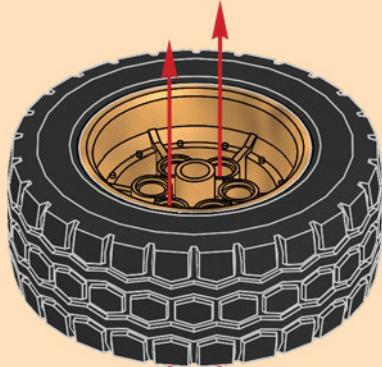


50

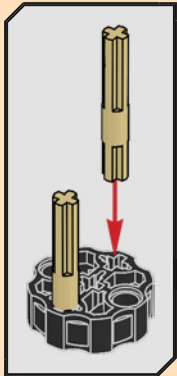
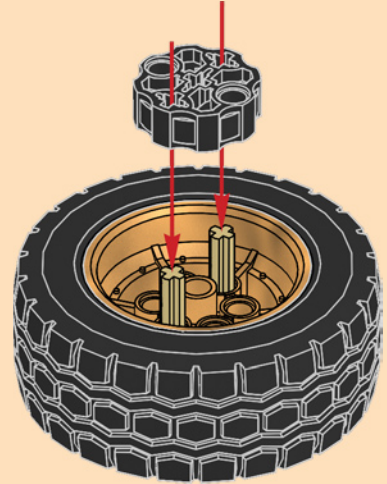
1

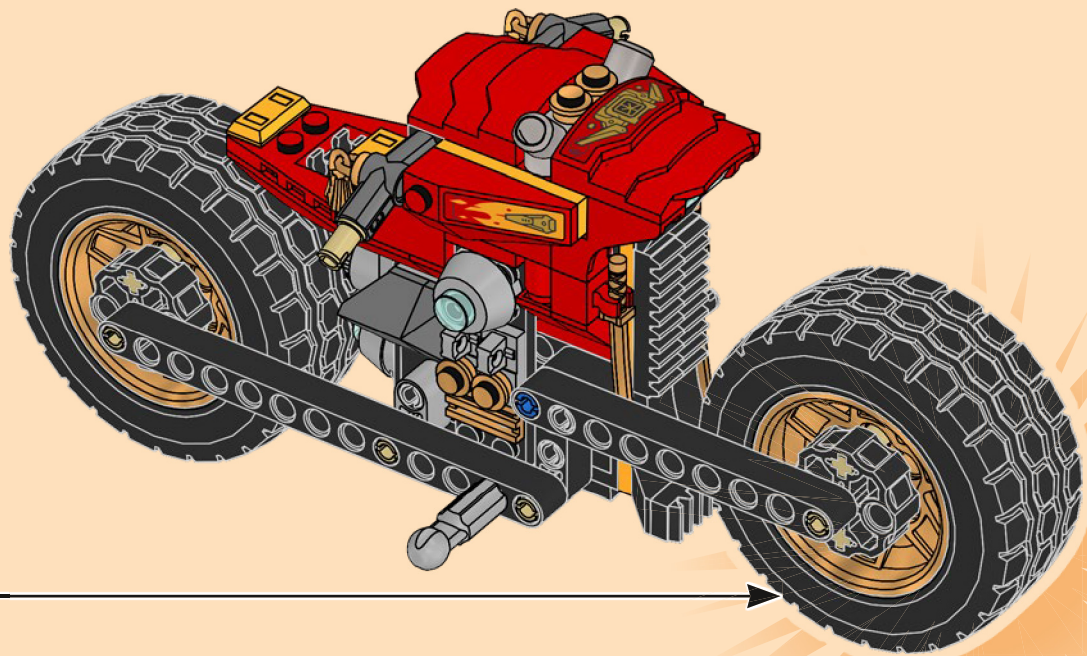


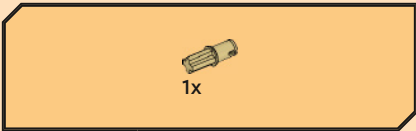
2



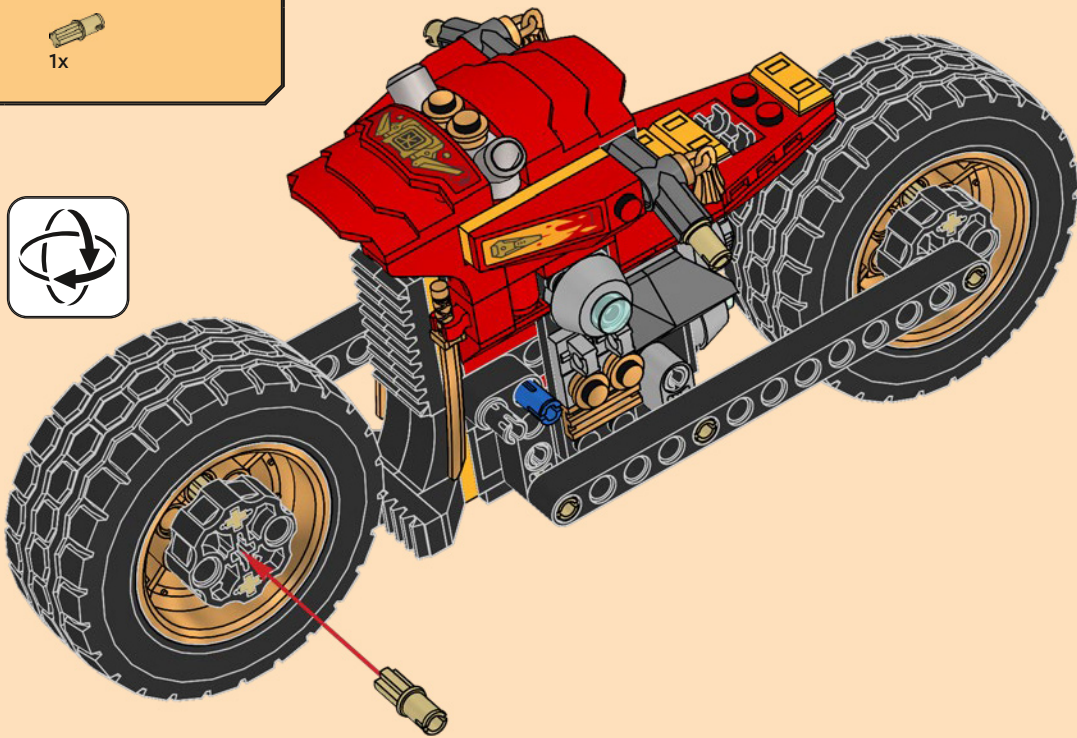
3



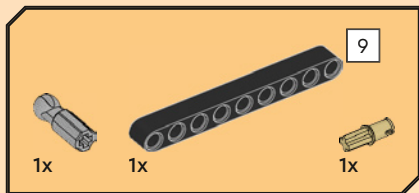




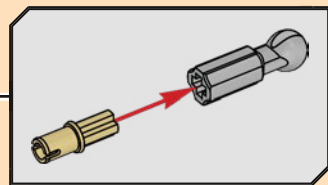
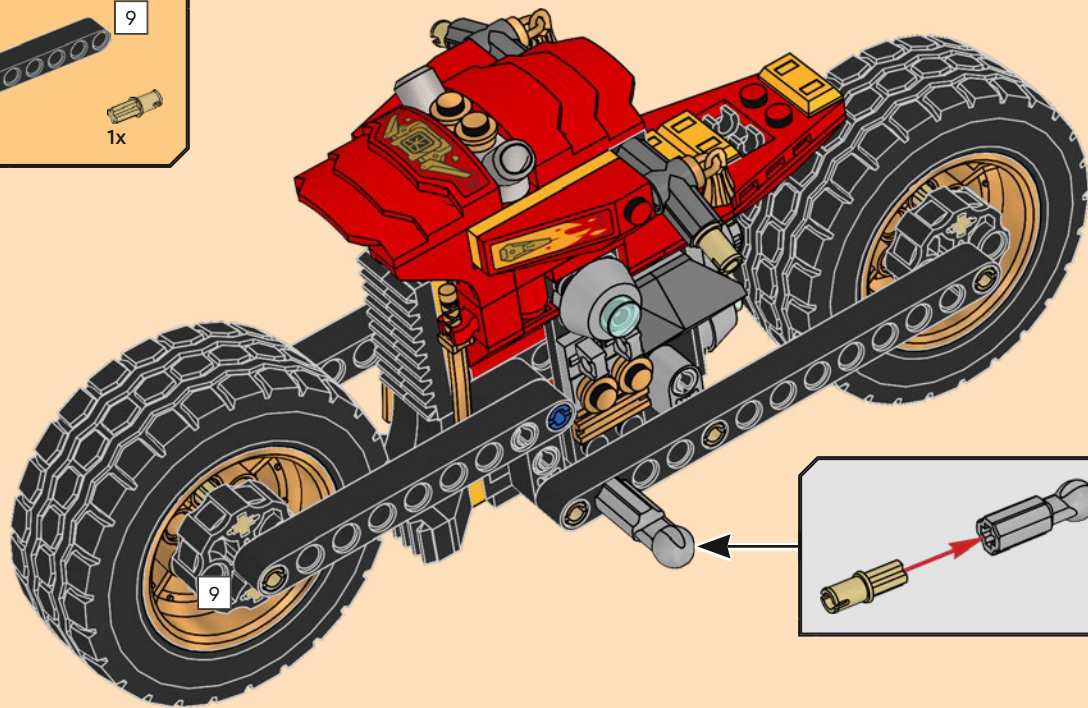
51







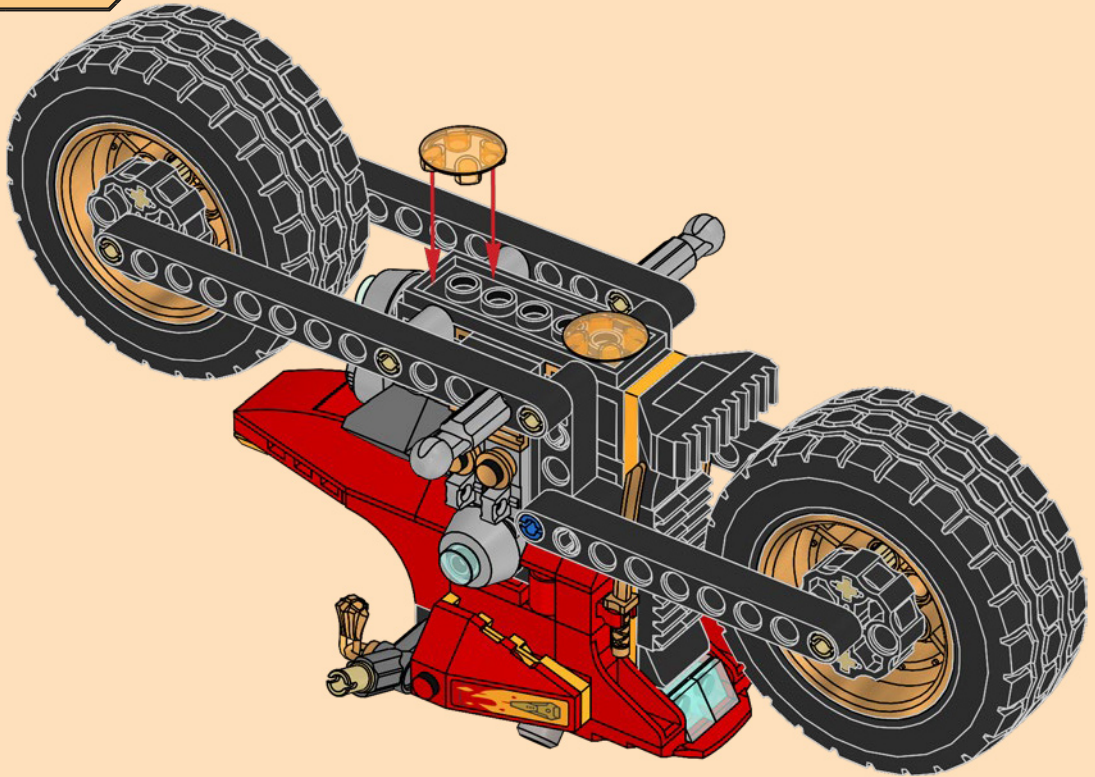
52

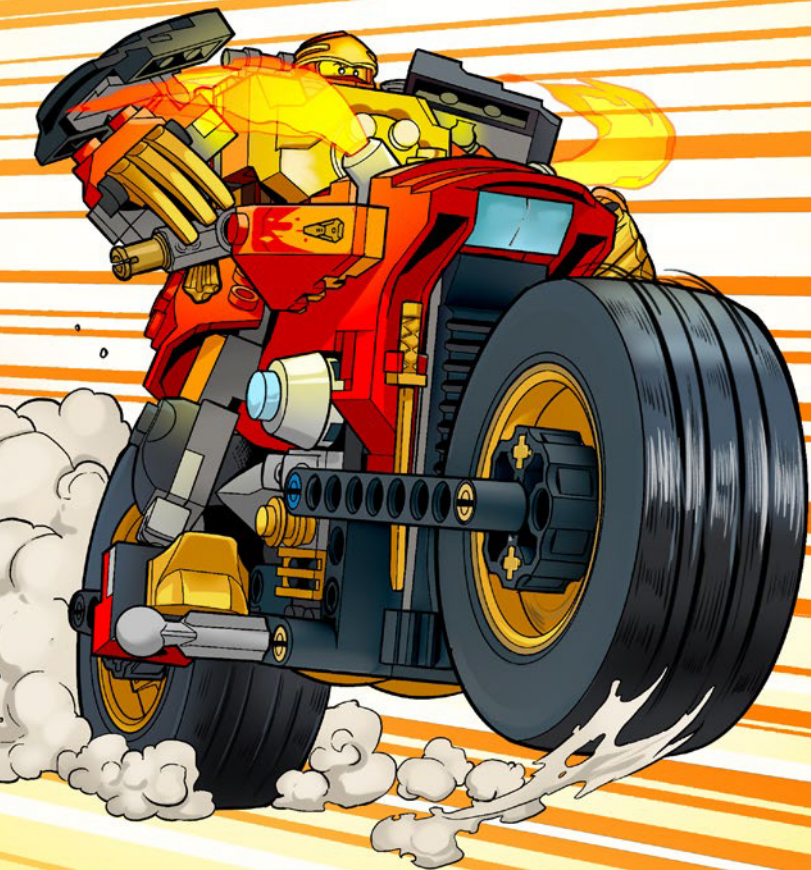




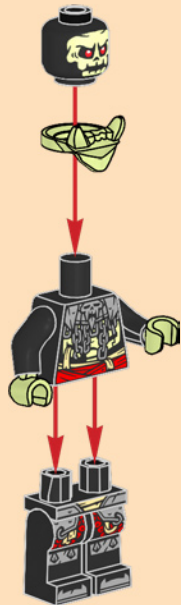
2x

53





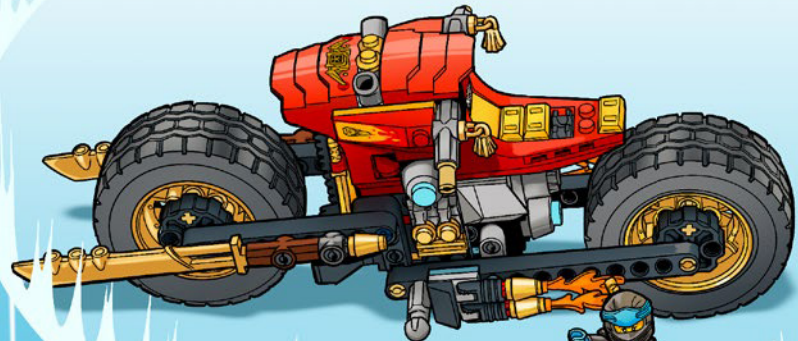
1



2

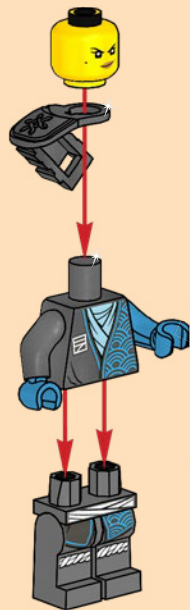








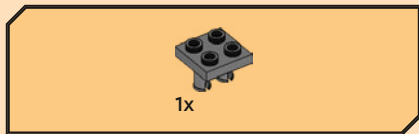
1



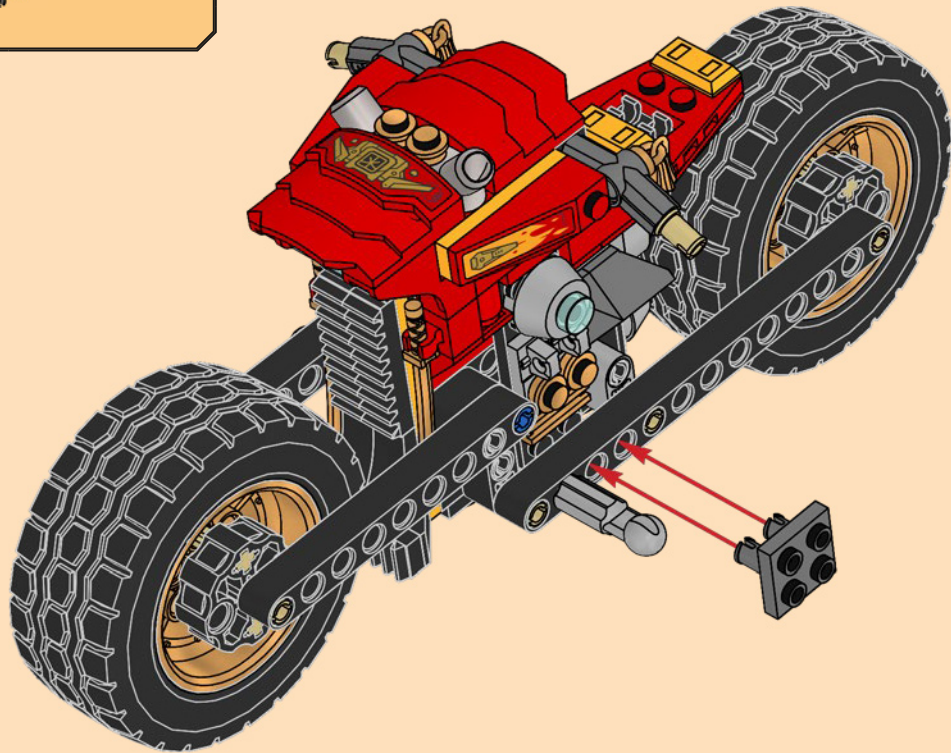
2





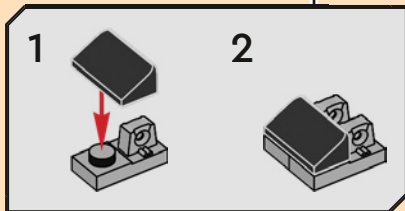
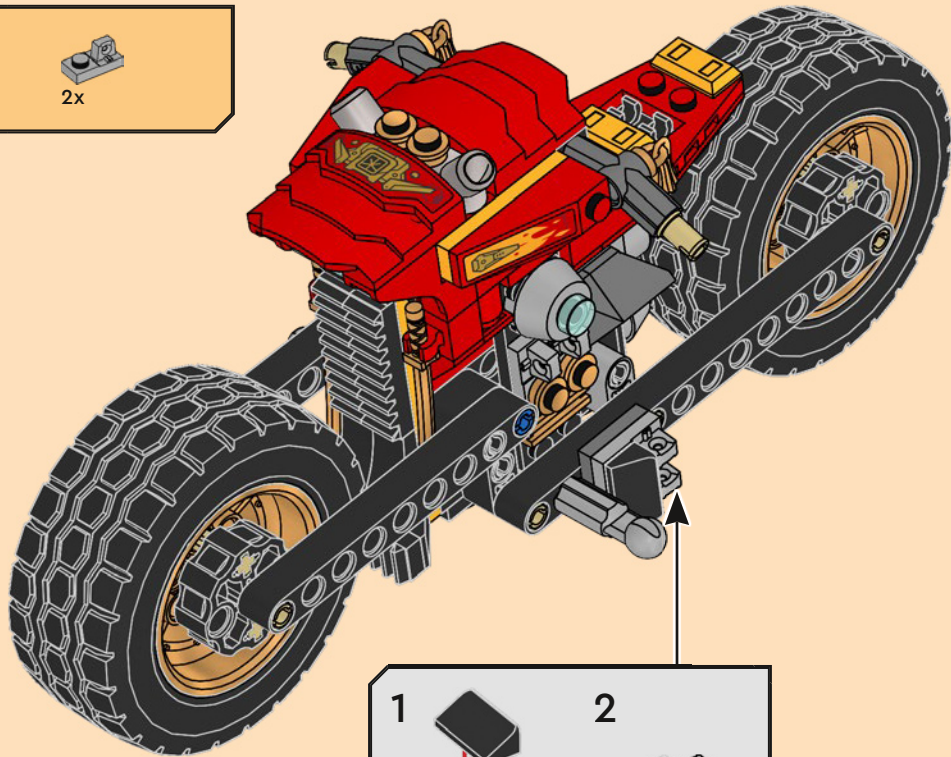


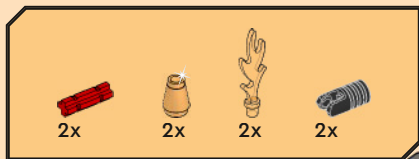
54



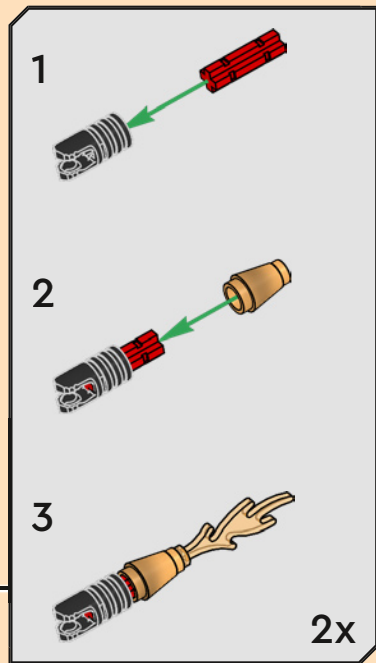
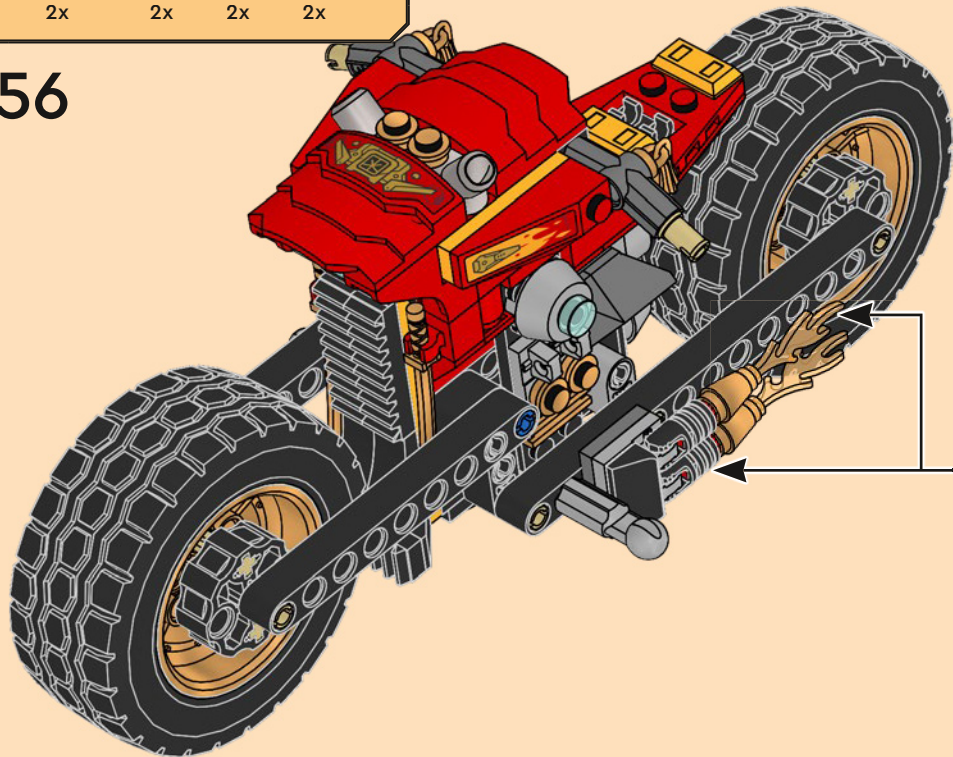


55



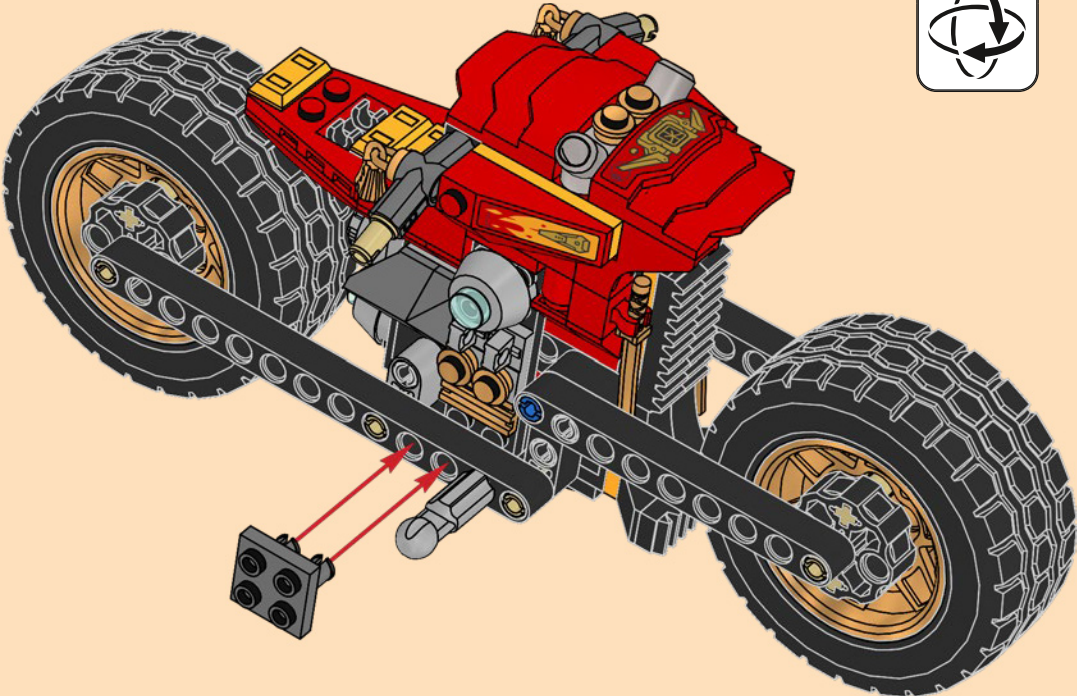


56



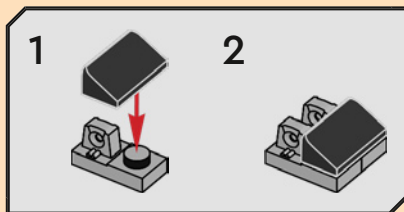
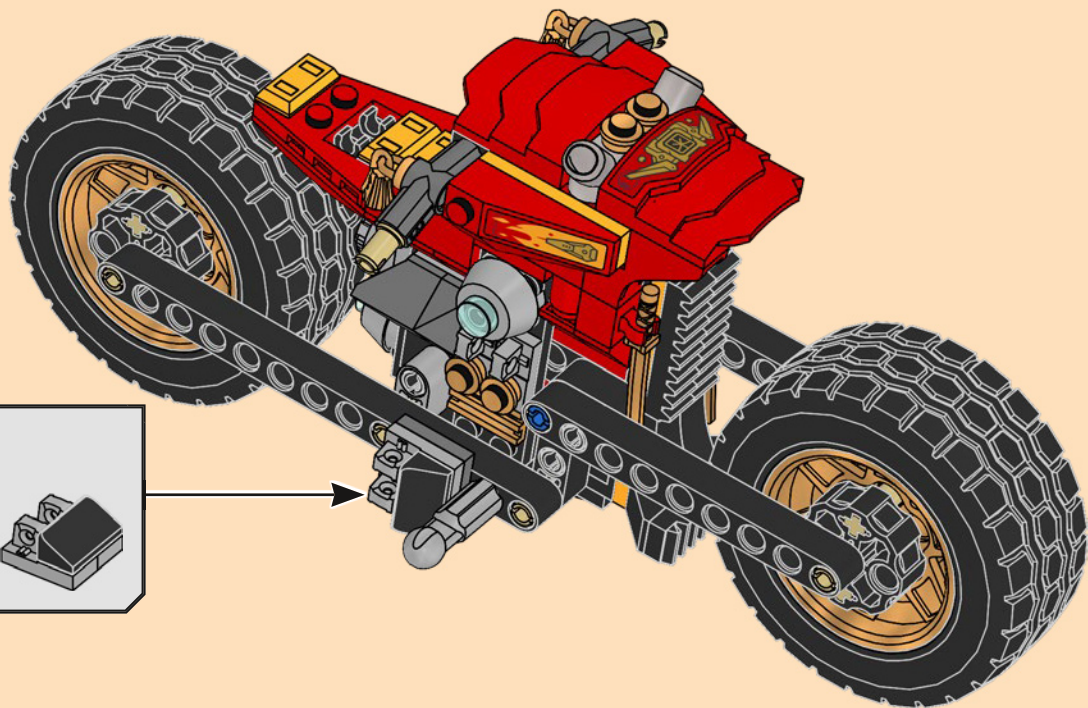


57



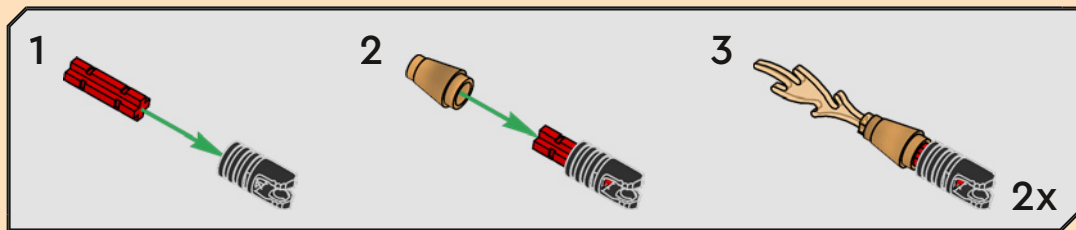


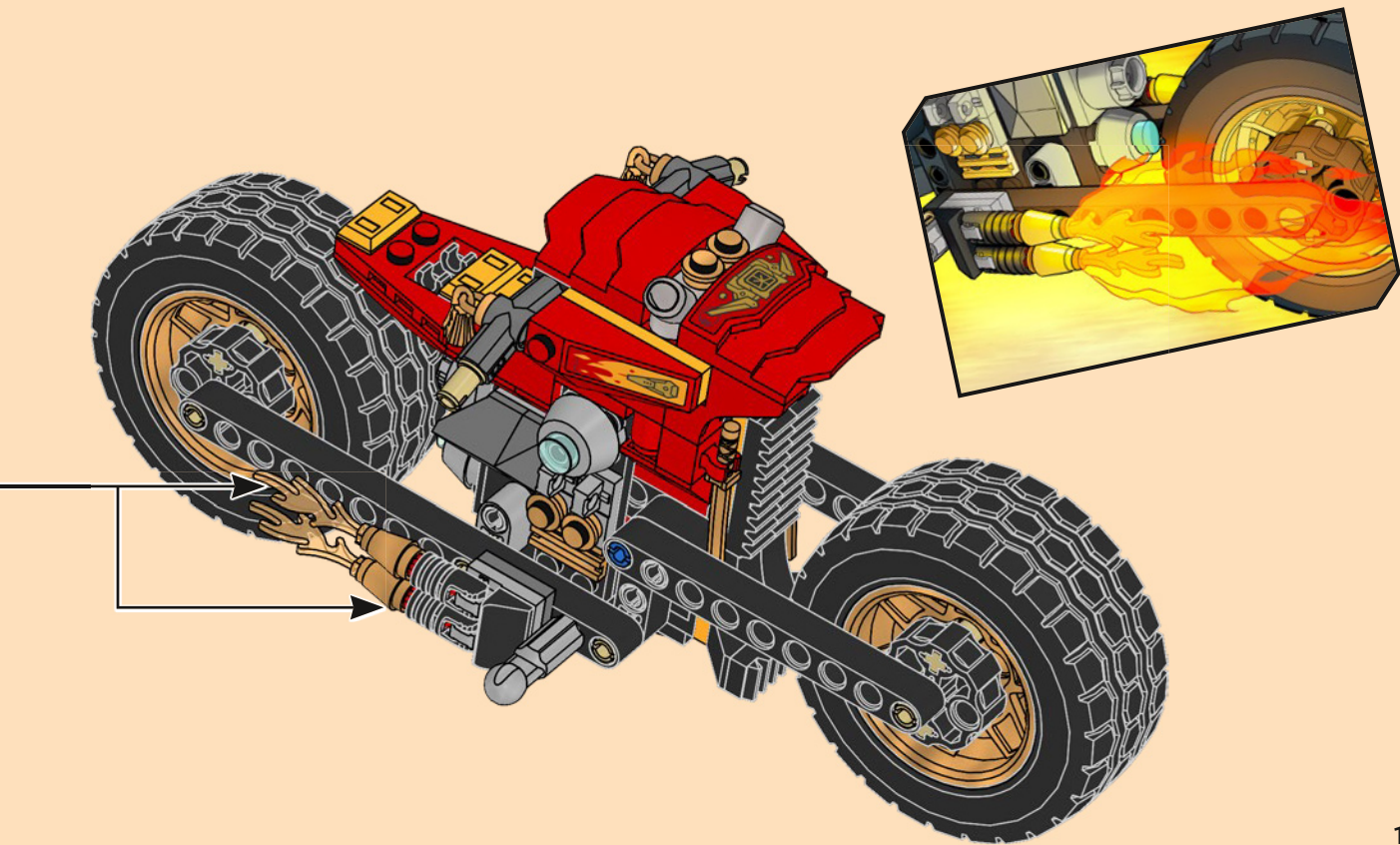
58

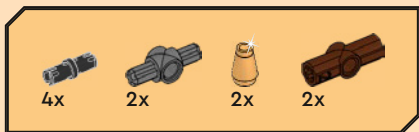




59

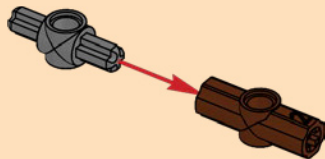




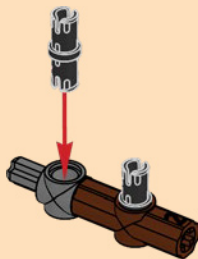


60

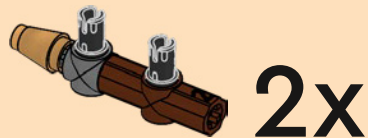
1



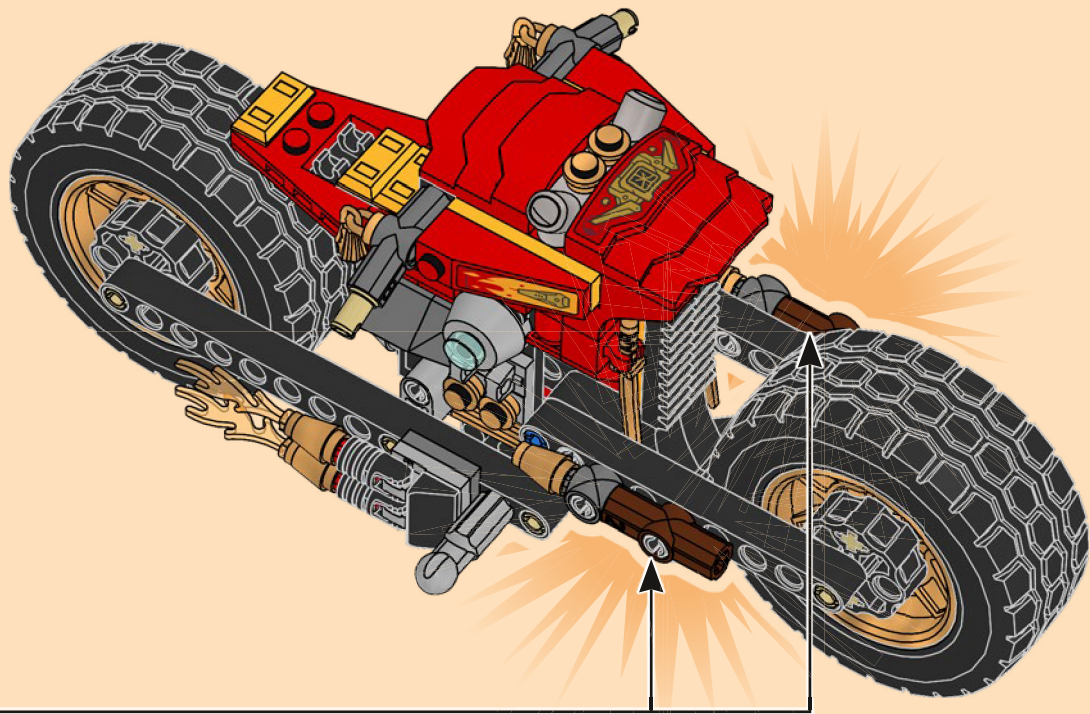
2

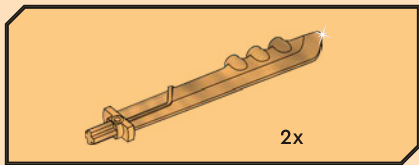


3

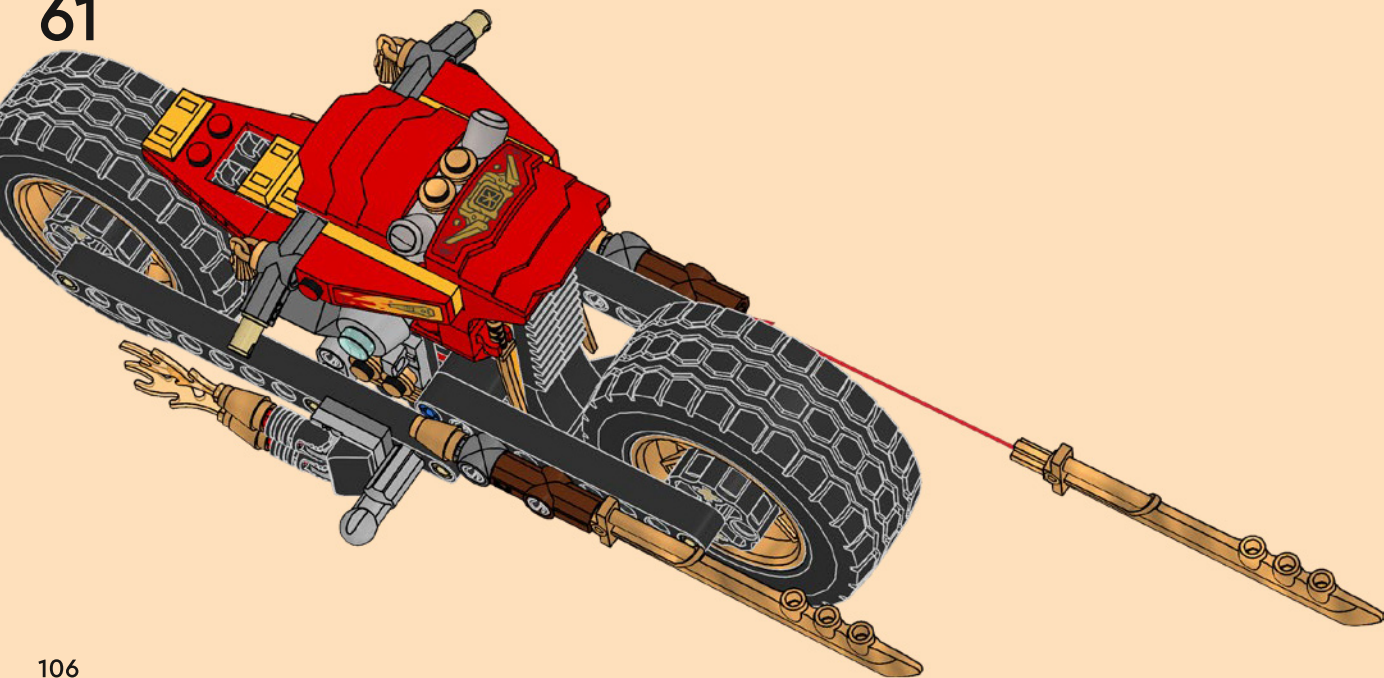


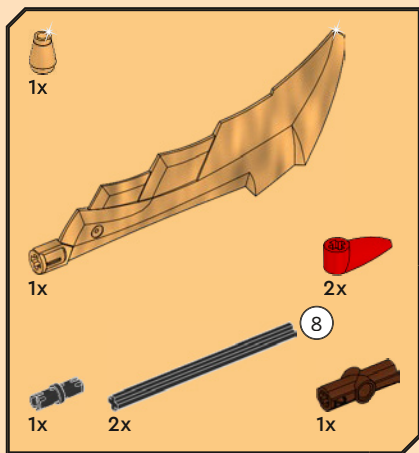
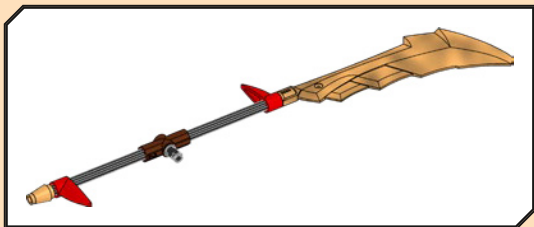






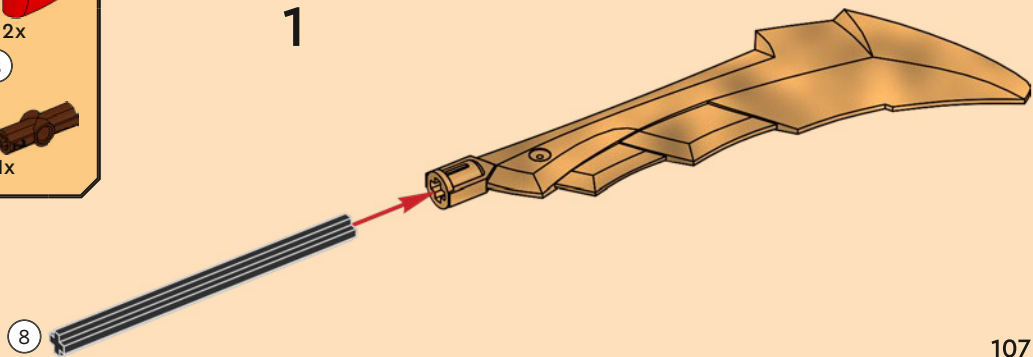
61



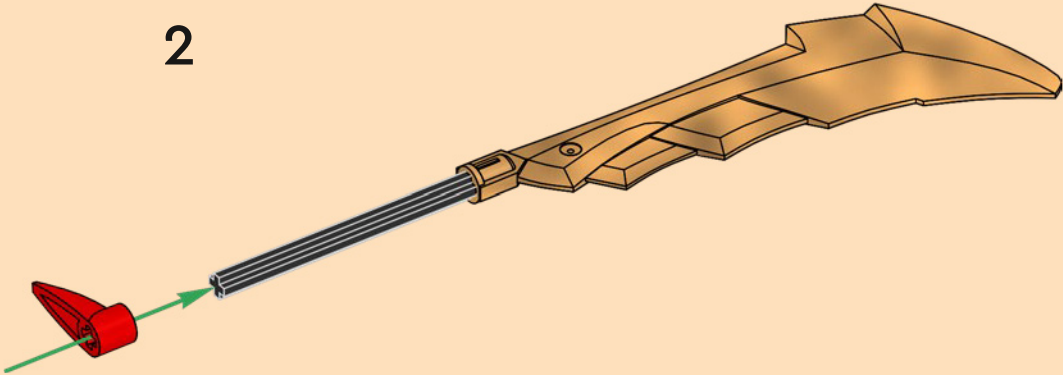


1

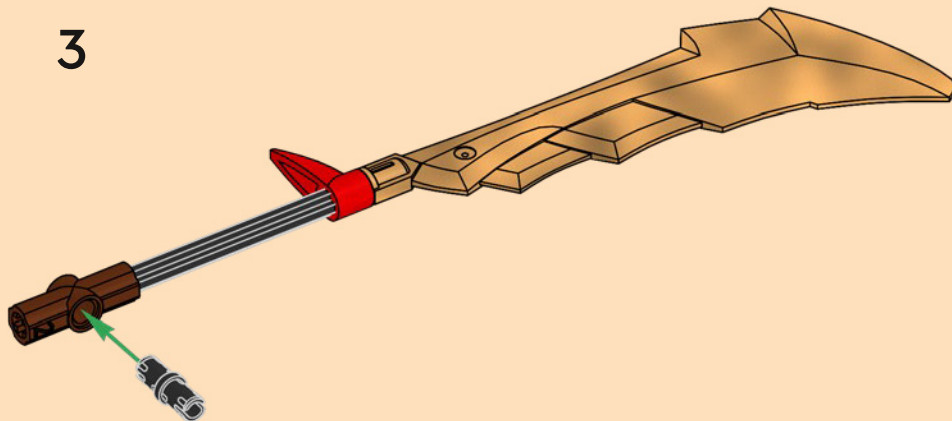
1



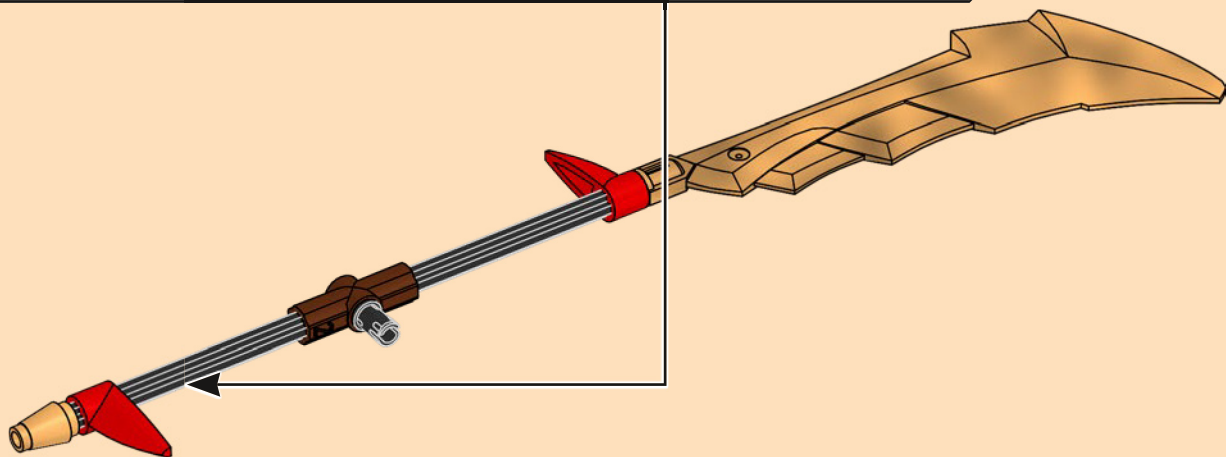
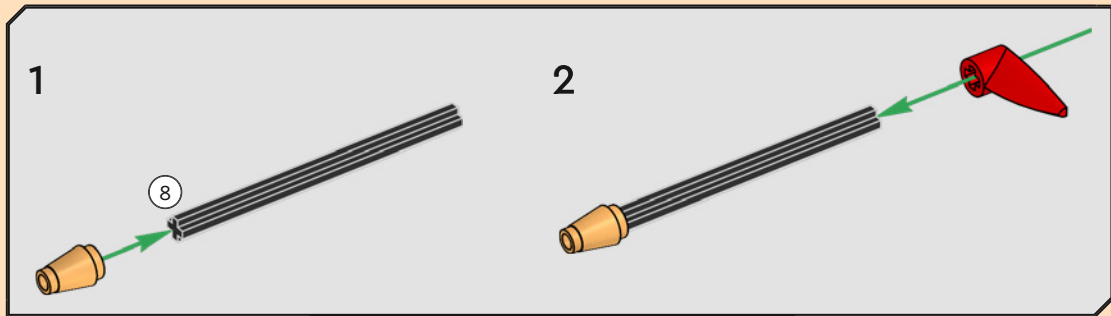
2

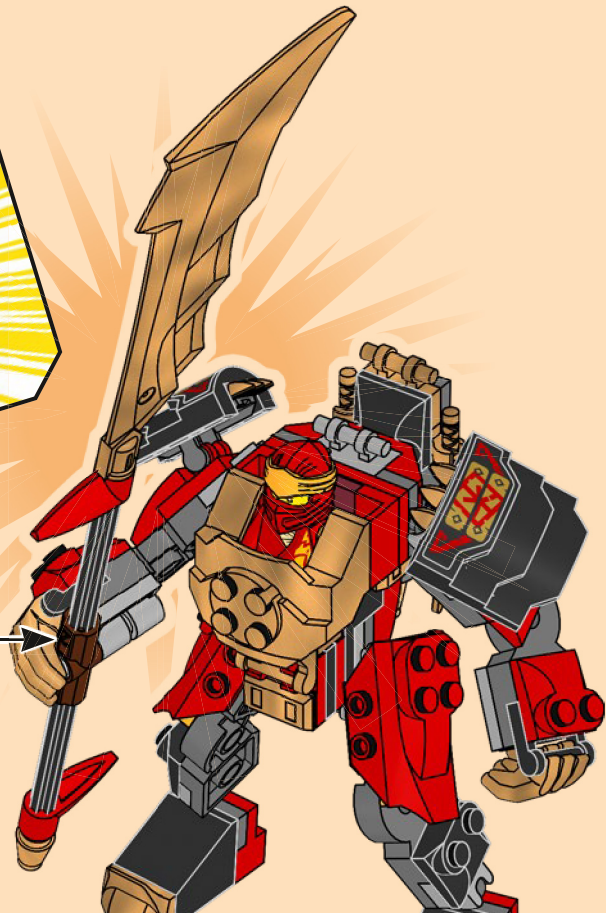


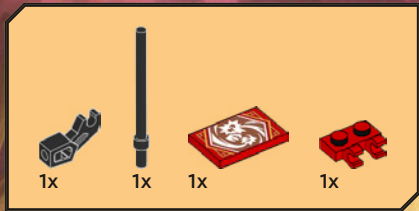
3



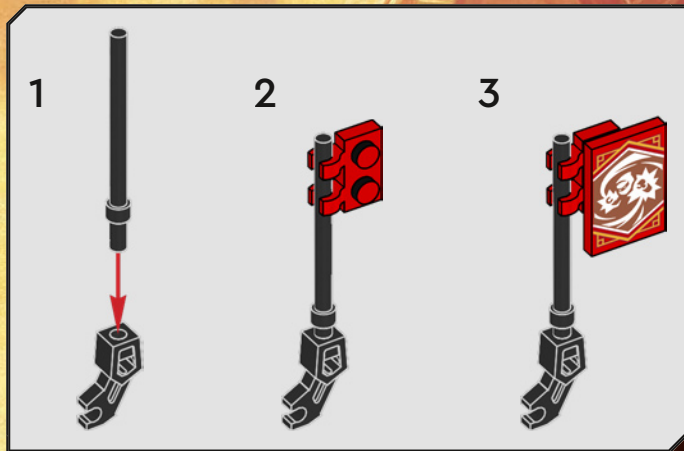
4



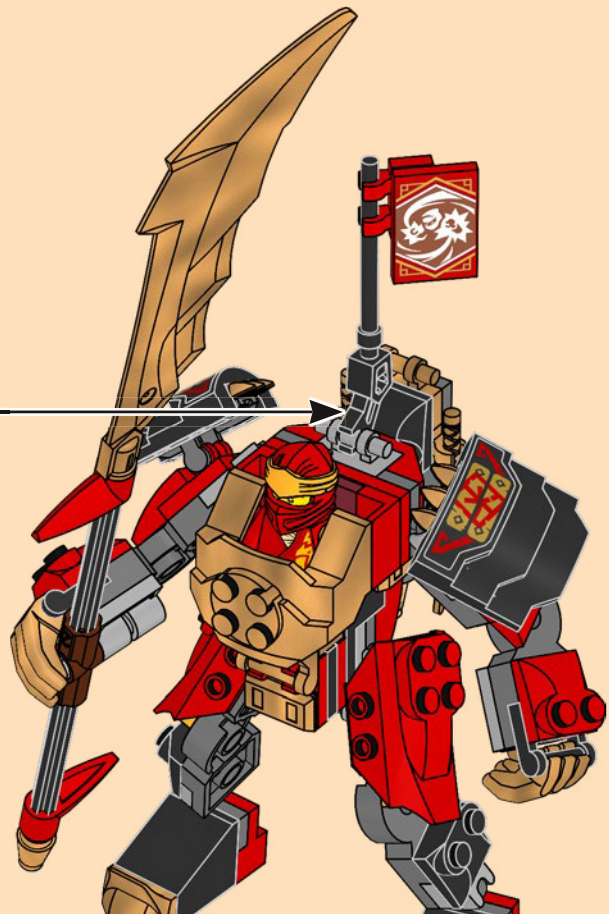


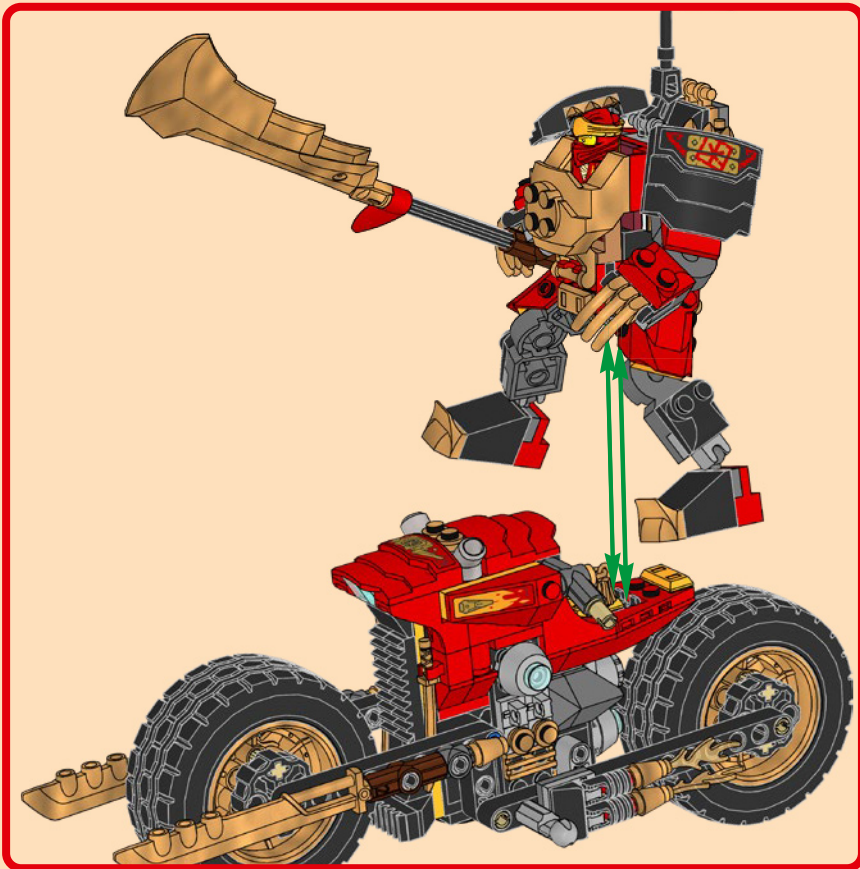


2











**LEGO**

# NINJAGO





71786



71780



71787



71784

13x  
4666579



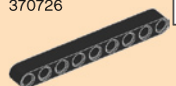
118



13



2x  
370726



9

2x  
4645732



2x  
6429788



3x  
6274739



2x  
6245277



2x  
6244910



1x  
6359681



1x  
6172233



4x  
6167741



2x  
6171727



1x  
6227663



3x  
6236454



1x  
6020181



2x  
6097503



1x  
6227662



2x  
6133817



1x  
6117967



1x  
4211580



3x  
6028324



1x  
6307931



2x  
6265089



6x  
6043656



8x  
6265694



2x  
4515369



2x  
6262968



5x  
6117967



1x  
4211580



2x  
4211376



1x  
6313188



3x  
6333110



2x  
6076203



1x  
6278974



1x  
6368491



6x  
6039479



2x  
6174938



2x  
6167281



4x  
6395097



2x  
6284702



2x  
6258991



2x  
6366184



1x  
4211065



7x  
4529247



2x  
6326764



2x  
6330240



1x  
6417341



6x  
4523159



2x  
6274711



2x  
6375715



5x  
4490599



2x  
6207764



1x  
6279731



2x  
6284379



1x  
6371693



5x  
6116596



6x  
6426622



3x  
6207933



1x  
4632100



1x  
6368483



1x  
6380065



1x  
6267464



1x  
6383973



1x  
6421038



1x  
6417339

[LEGO.com/service](https://www.lego.com/service)



YOU COULD **WIN**



Scan this QR code or go to **LEGO.COM/PRODUCTFEEDBACK** and give us your short feedback about this LEGO® set for a chance to win a cool LEGO prize.

Terms and Conditions apply\*



**DE: Du könntest GEWINNEN.** Es gelten die Teilnahmebedingungen\* **FR: Tu pourrais GAGNER.** Des conditions s'appliquent\* **IT: Potresti VINCERE tu.** Termini e condizioni sono applicabili\* **ES: Puedes GANAR.** Aplican términos y condiciones\* **PT: Poderá GANHAR.** Aplicam-se termos e condições\* **JA: プレゼント付き! 利用規約が適用されます\*** **ZH: 轻松获奖. 条款和条件适用\*** **KO: 상품의 주인이 되어보세요. 소정의 약관이 적용됩니다\*** **RU: Вы можете ВЫИГРАТЬ.** Действуют положения и условия\* **PL: Szansa na WYGRANĄ.** Obowiązują warunki korzystania\* **CS: Máte šanci VYHRÁT.** Platí všeobecné smluvní podmínky\* **SK: Máte šancu VYHRAŤ.** Platia všeobecné zmluvné podmienky\* **HU: TE IS NYERHETSZ.** Felhasználási feltételek érvényesek\* **RO: Ai putea CÂȘTIGA.** Se aplică termeni și condiții\* **BG: Можете да СПЕЧЕЛИТЕ.** Има определени правила и условия\* **LV: Tu vari LAIMĒT.** Ir spēkā noteikumi un nosacījumi.\* **ET: Sul on võimalus VÕITA.** Kehtivad tingimused\* **LT: Jūs galite LAIMĖTI.** Taikomos sąlygos\*

\*LEGO.com/productfeedback-terms

LEGO, the LEGO logo, NINJAGO and the NINJAGO logo are trademarks of the/son des marques de commerce du/son marcas registradas de LEGO Group. ©2023 The LEGO Group.

6449666