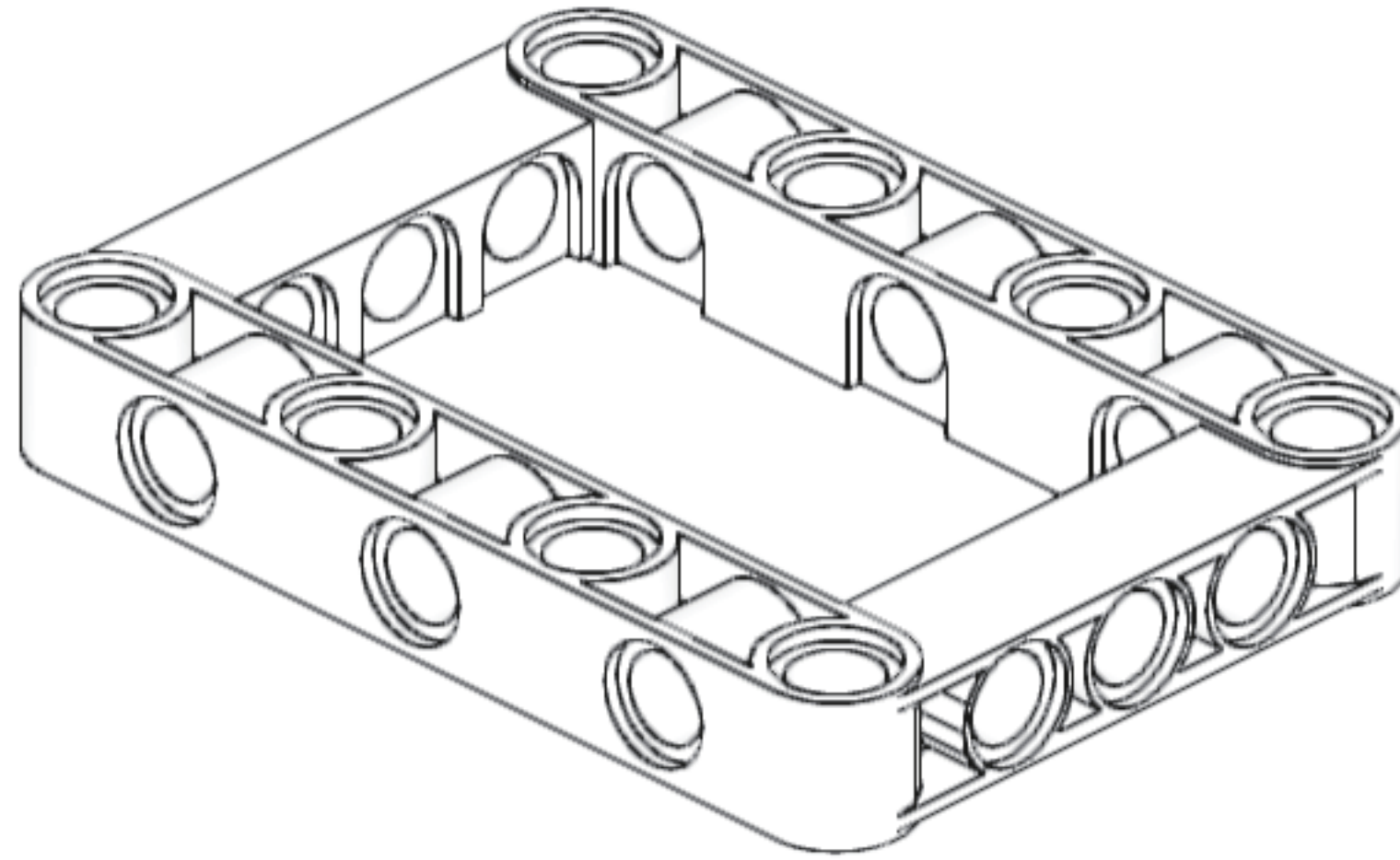
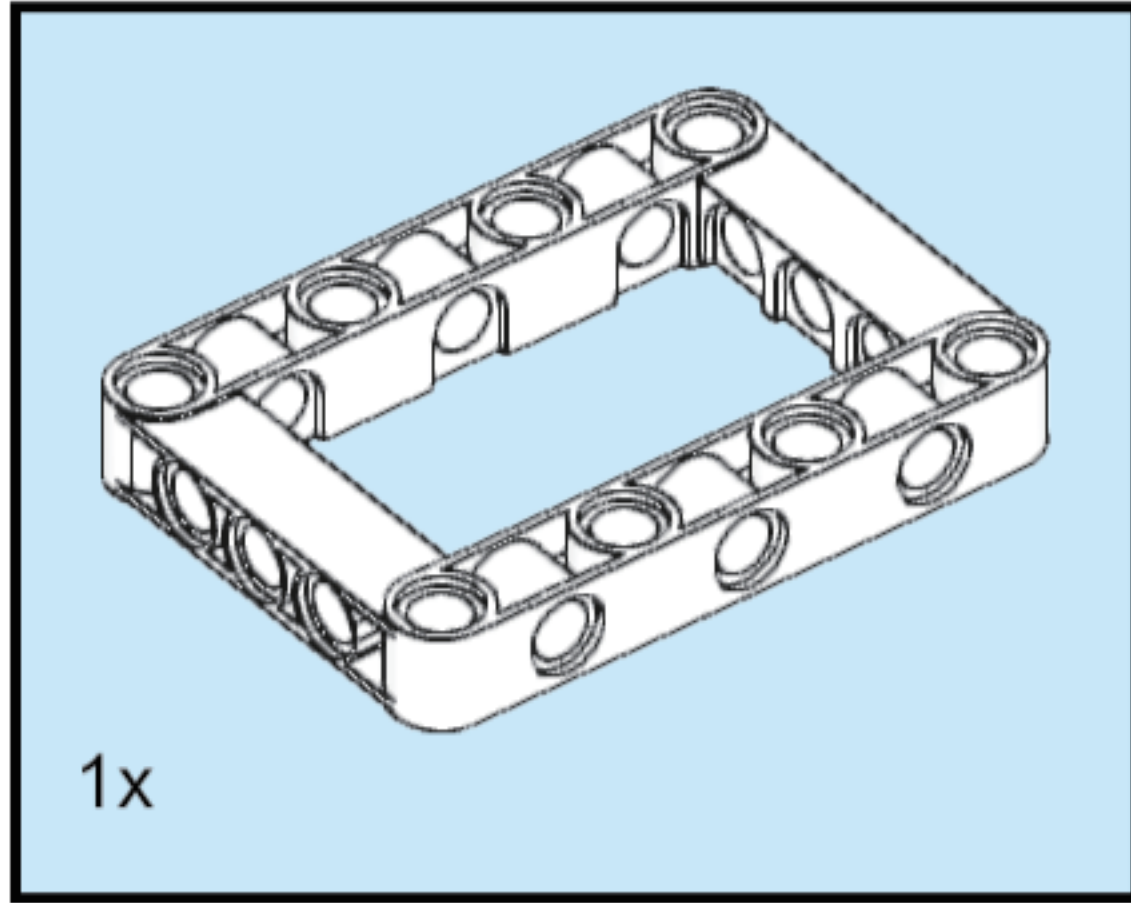
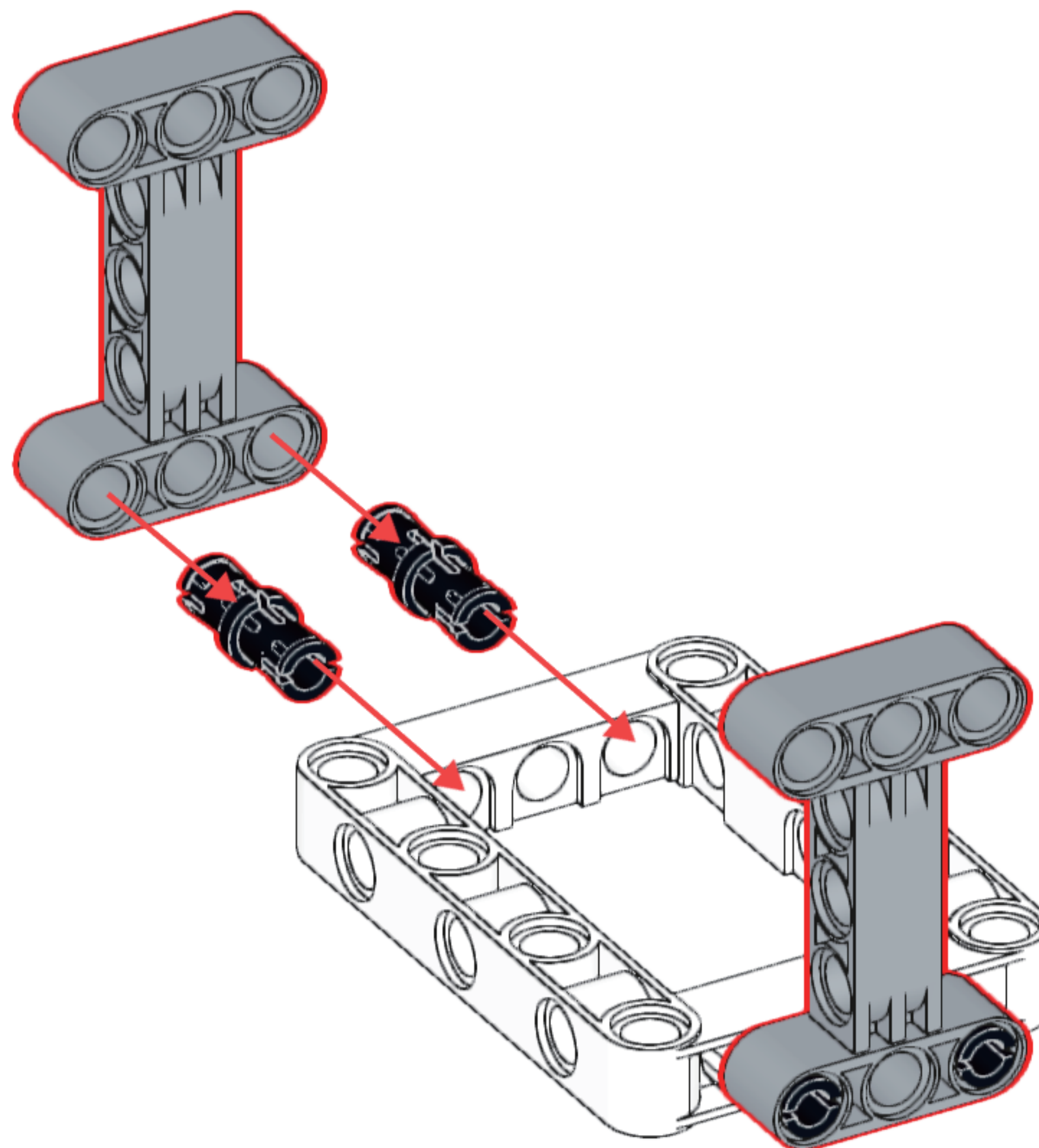
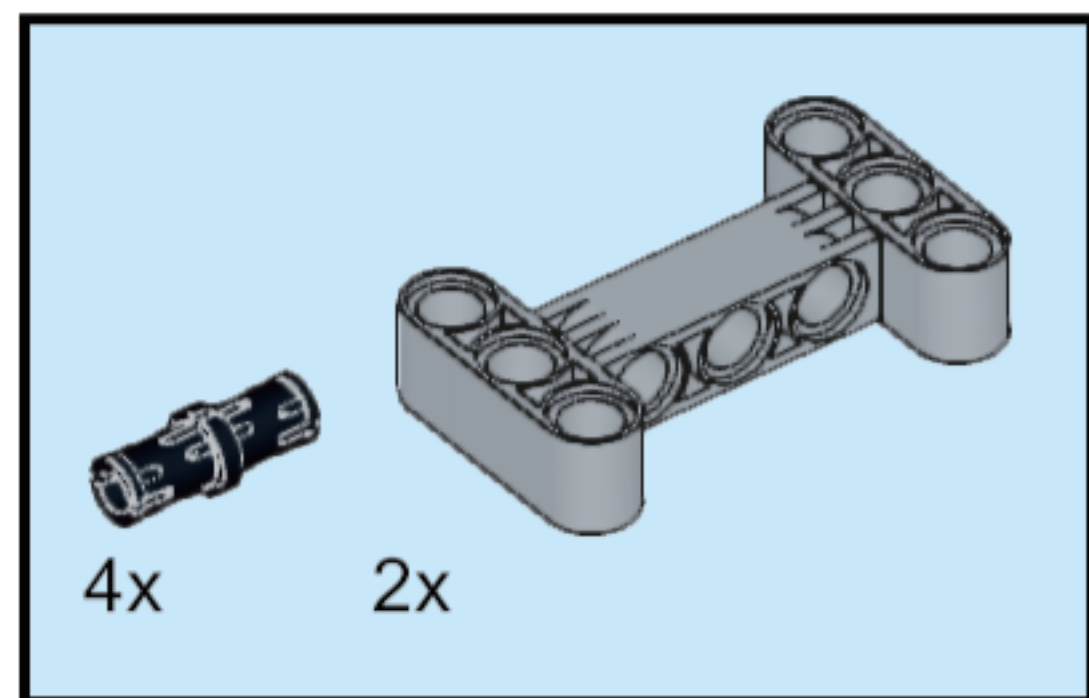


1

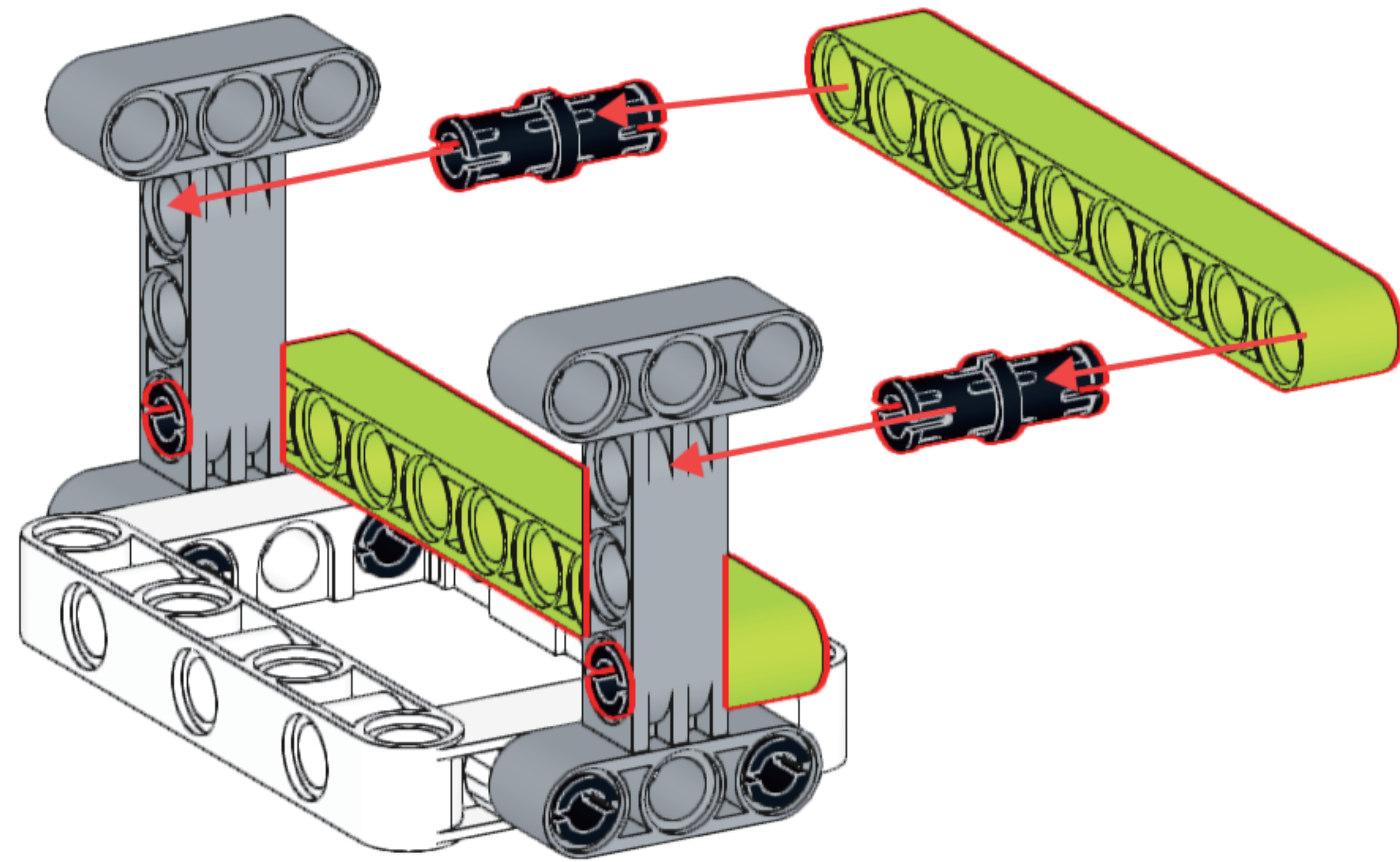
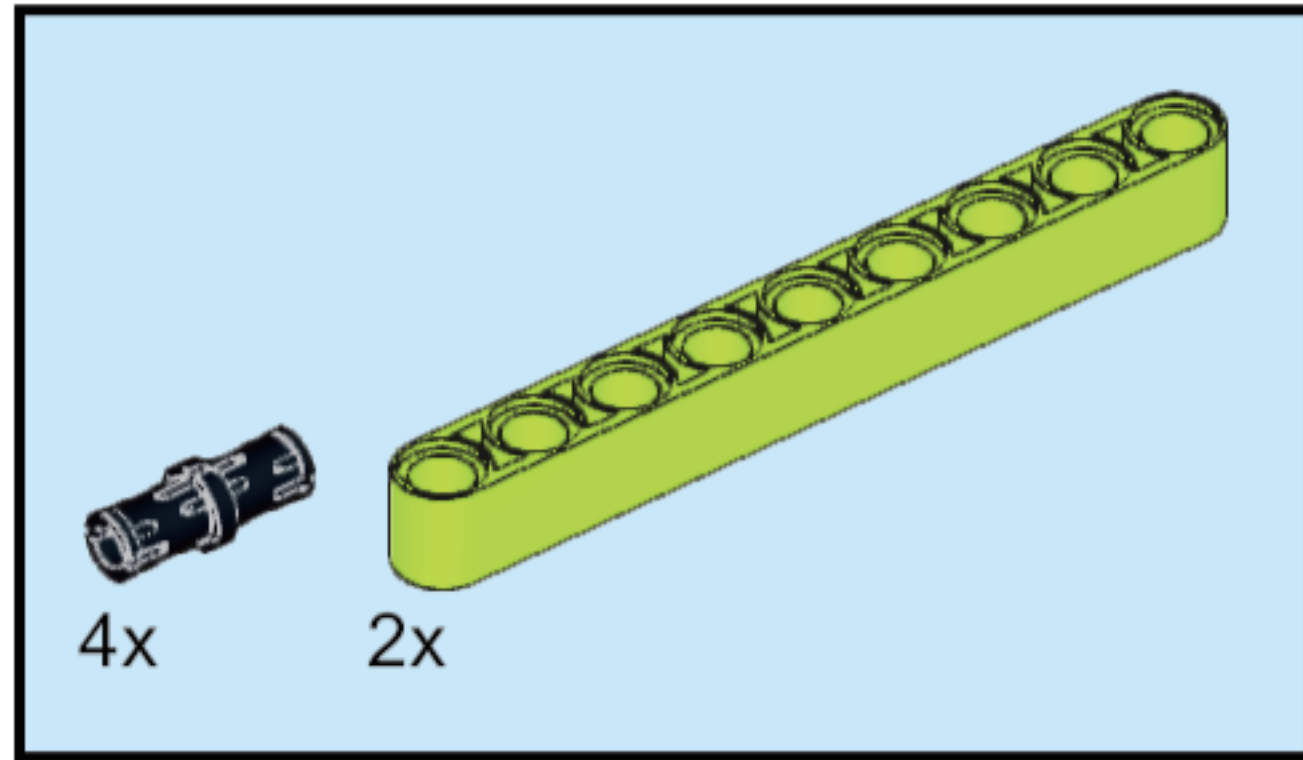


# 2

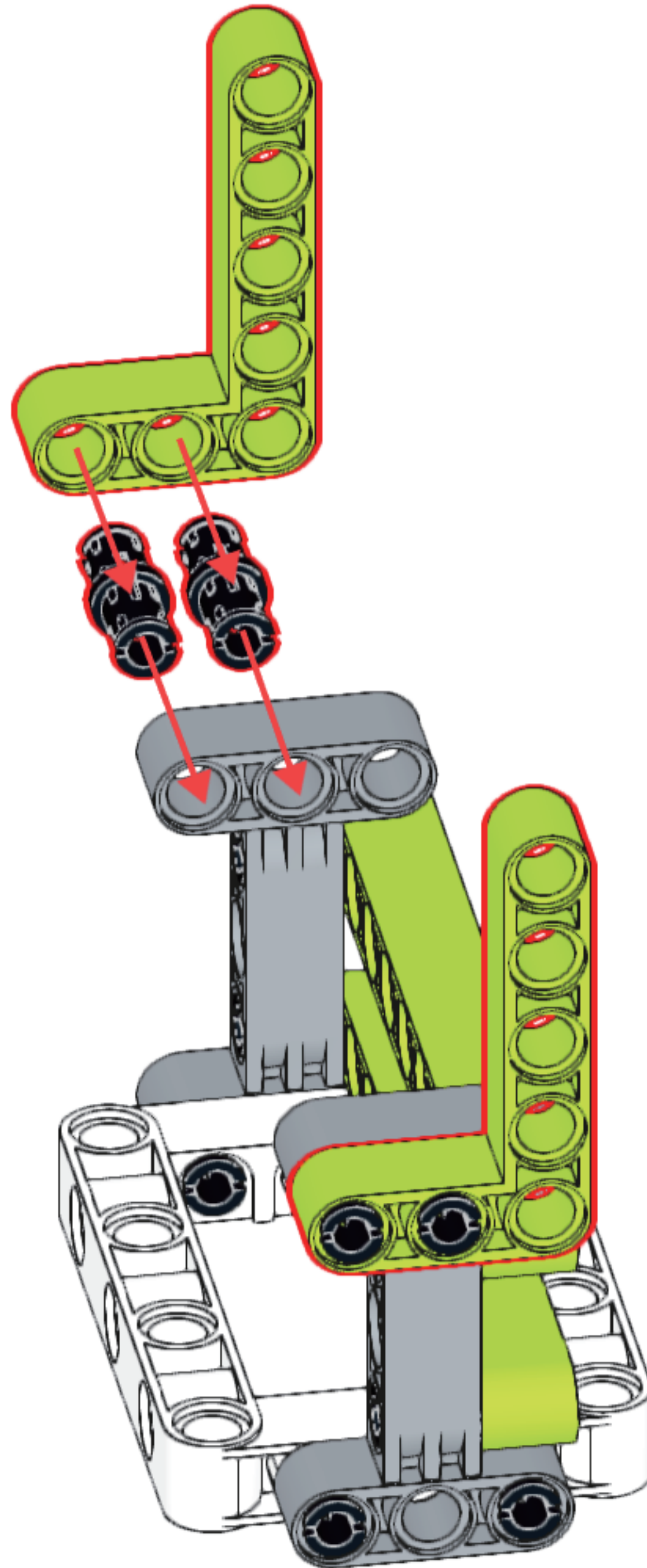
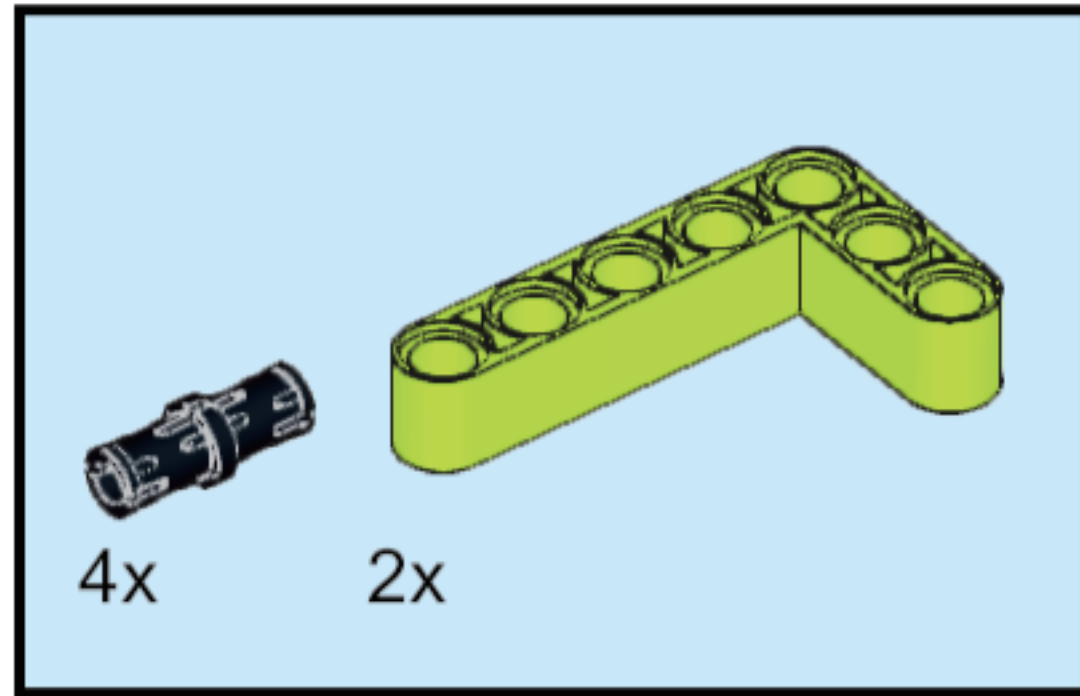




# 3

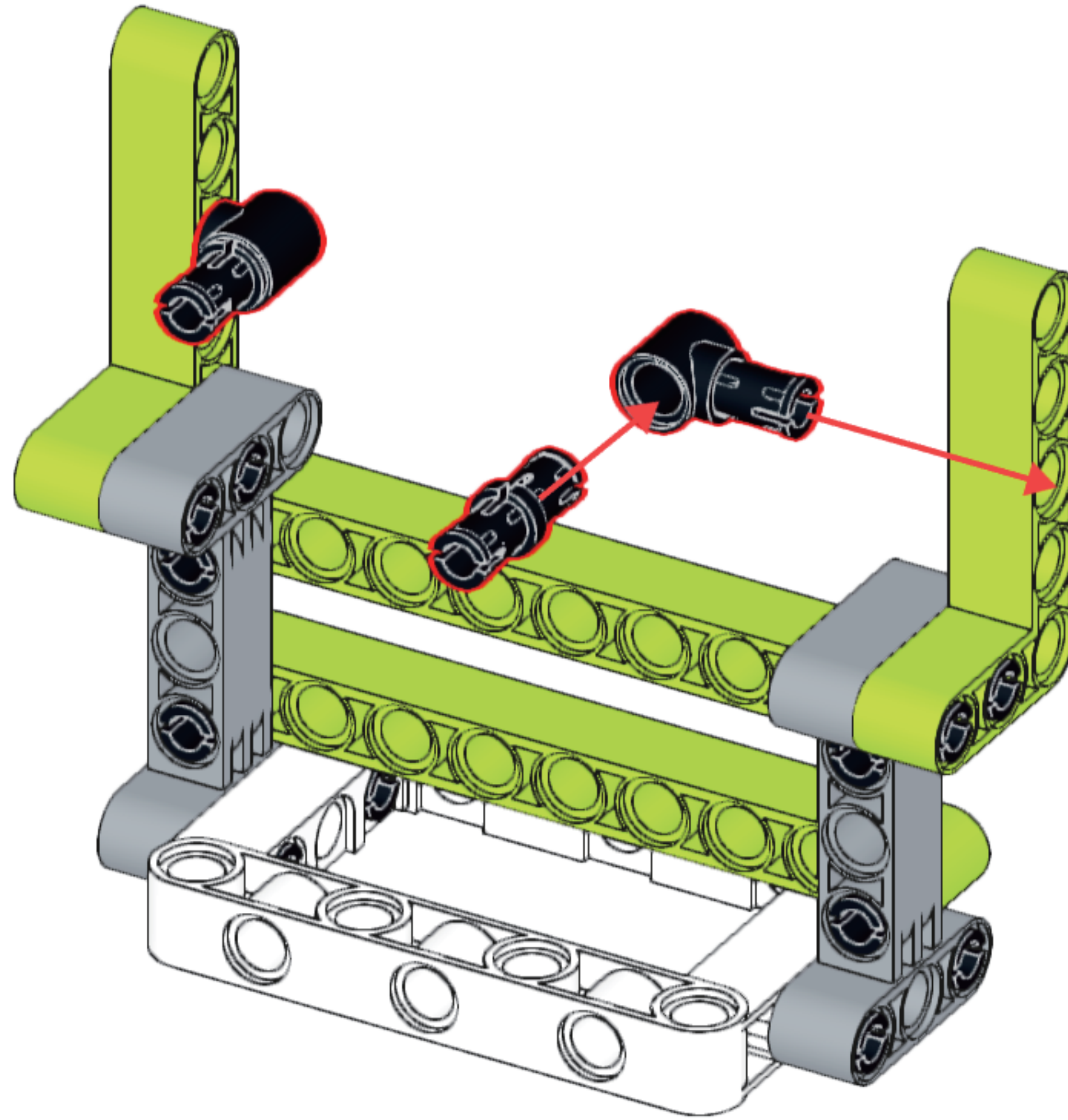
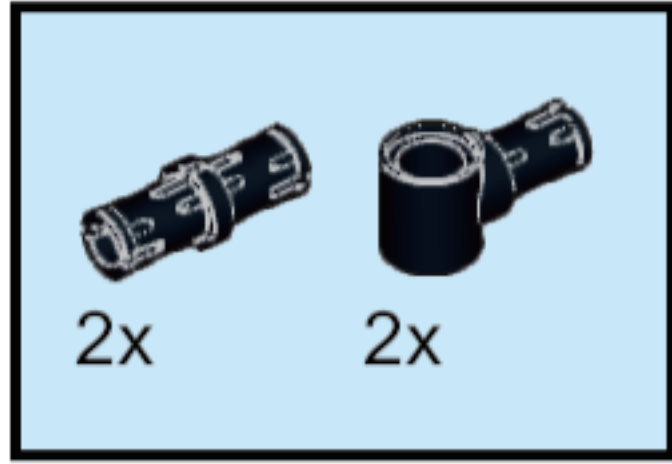


4

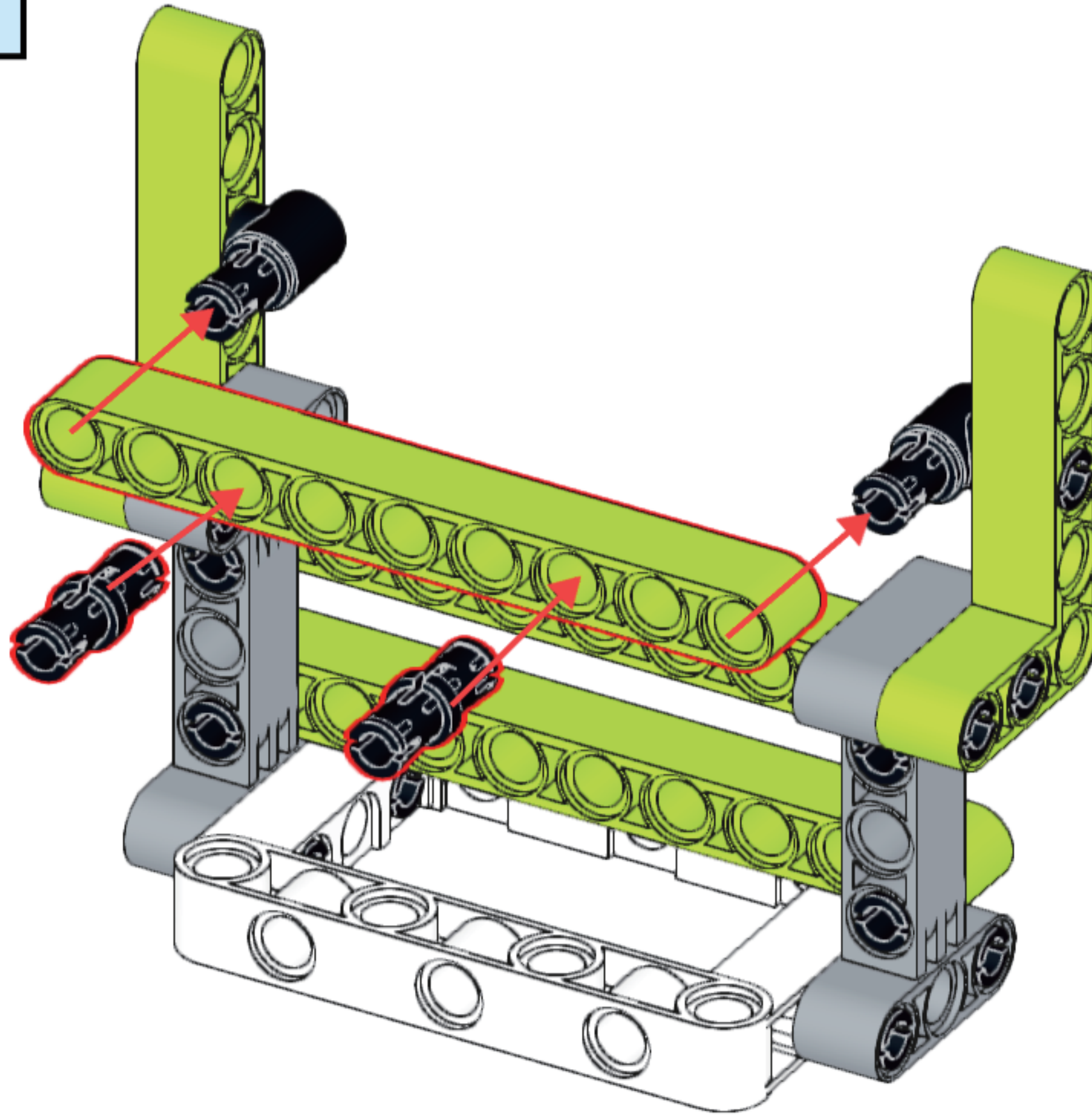
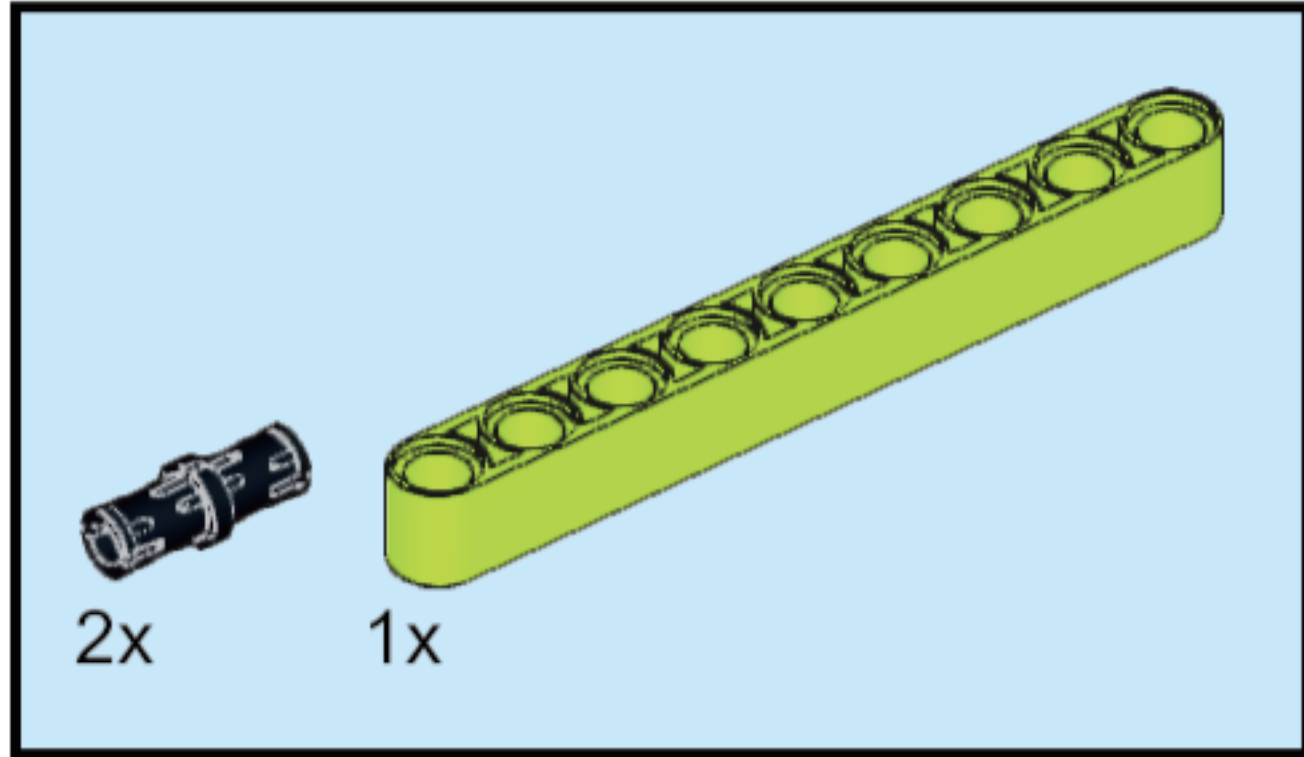




5

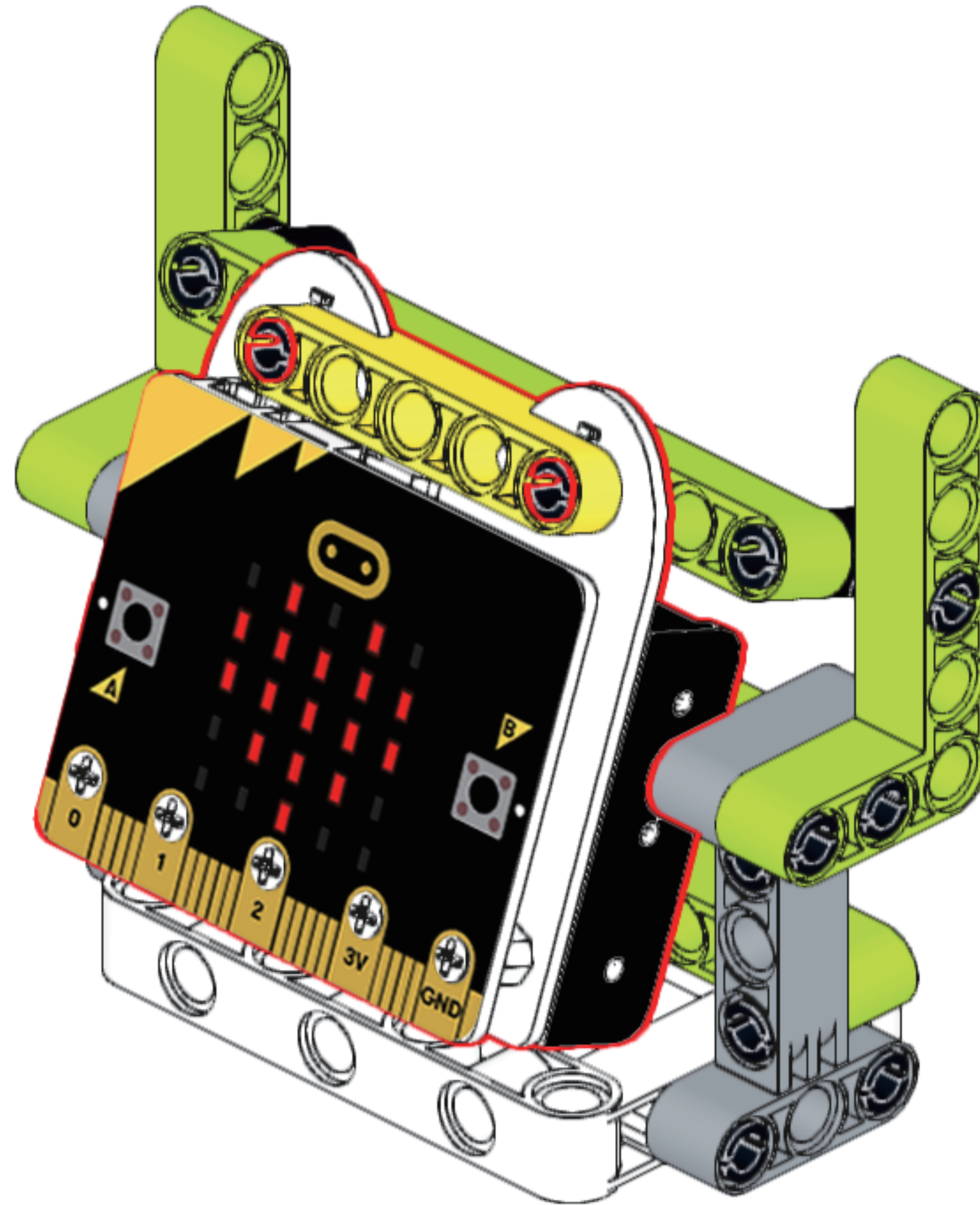
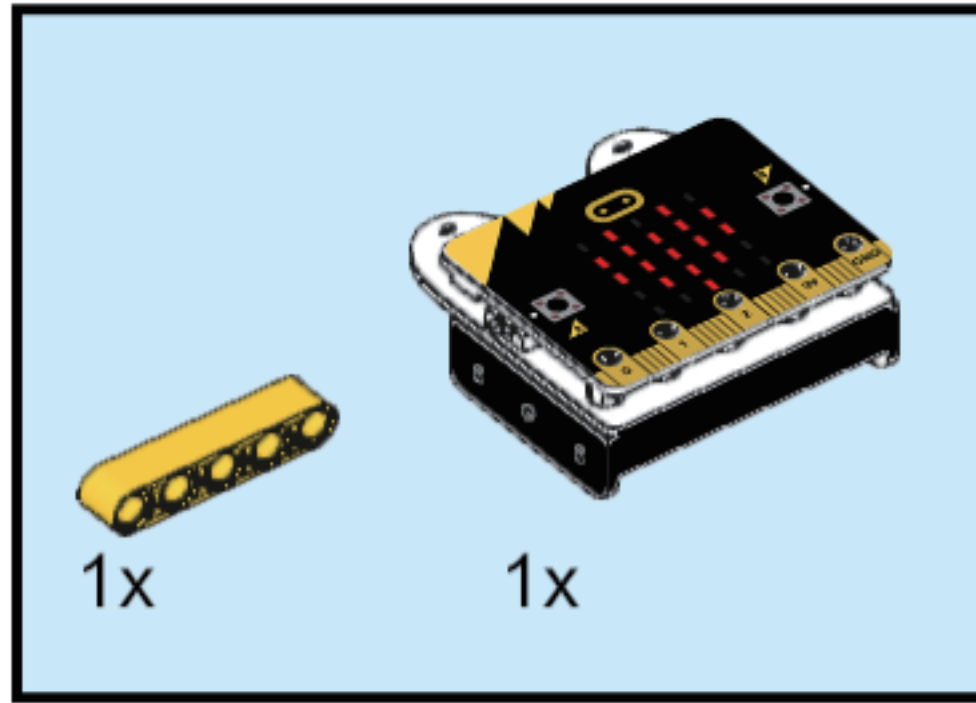


# 6

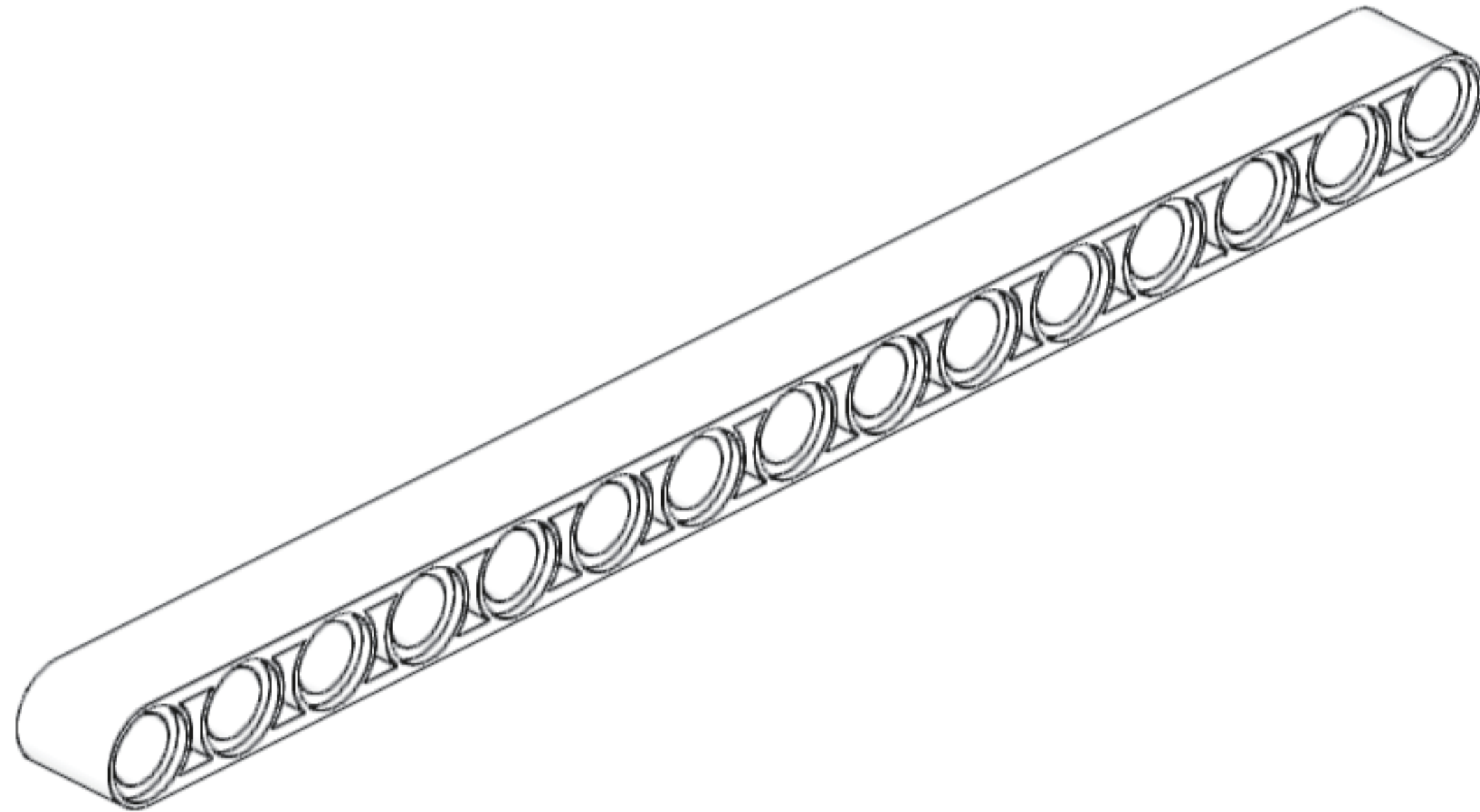
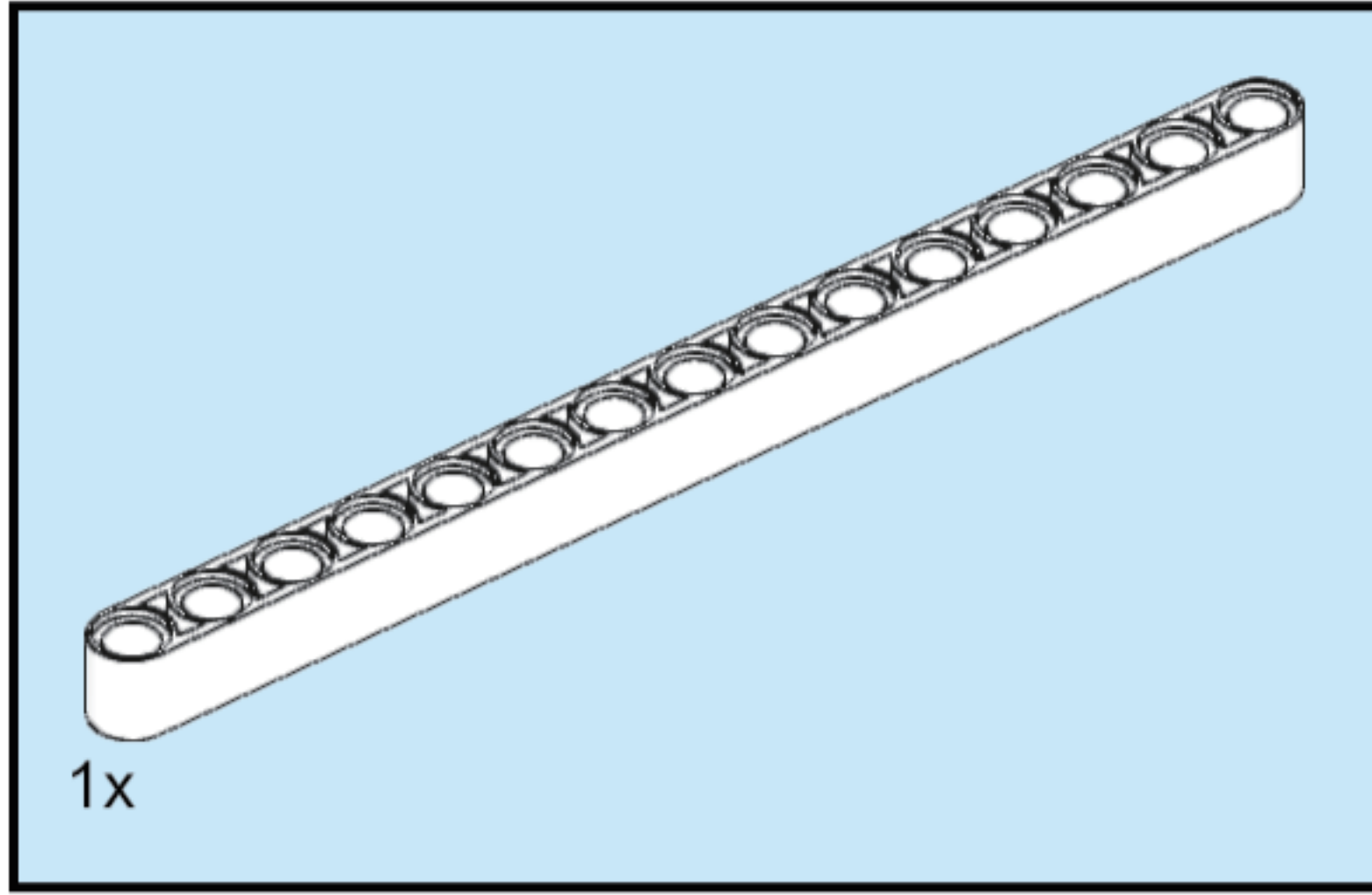




7

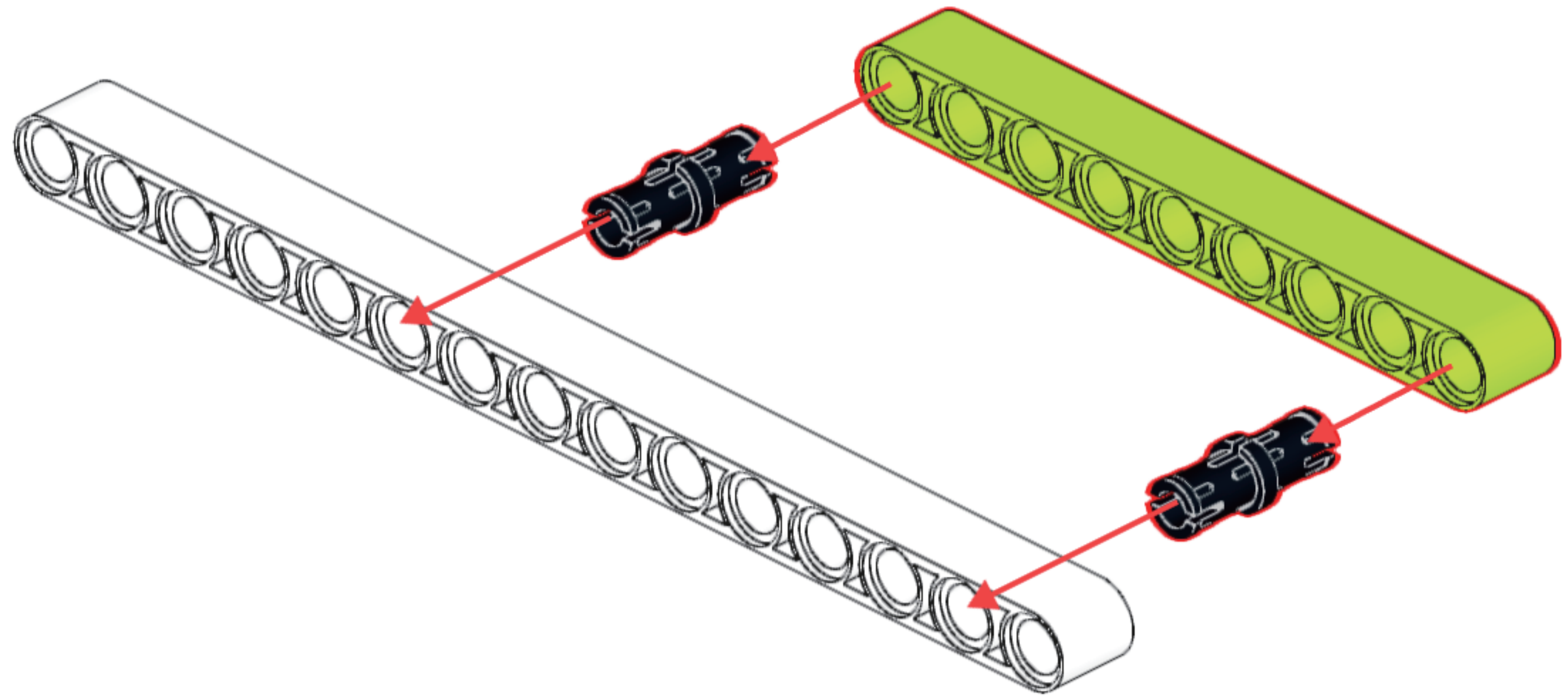
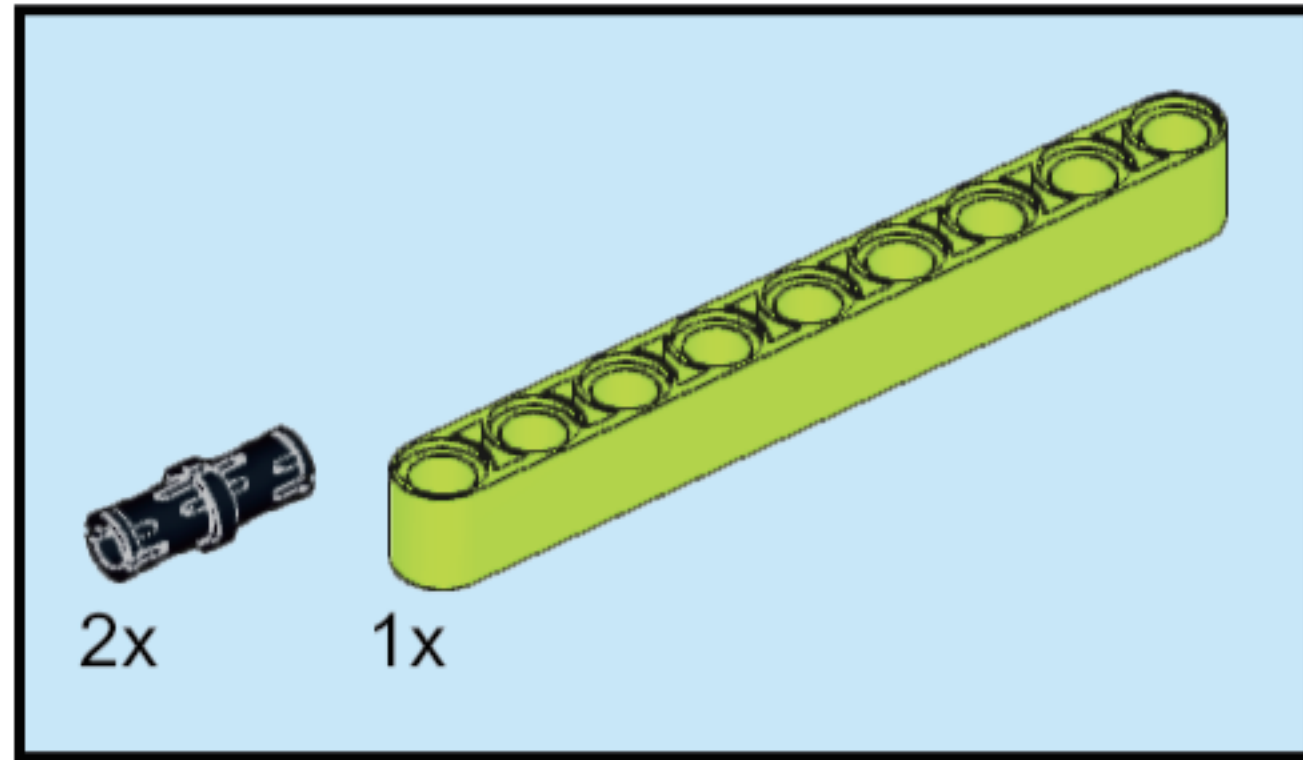


8



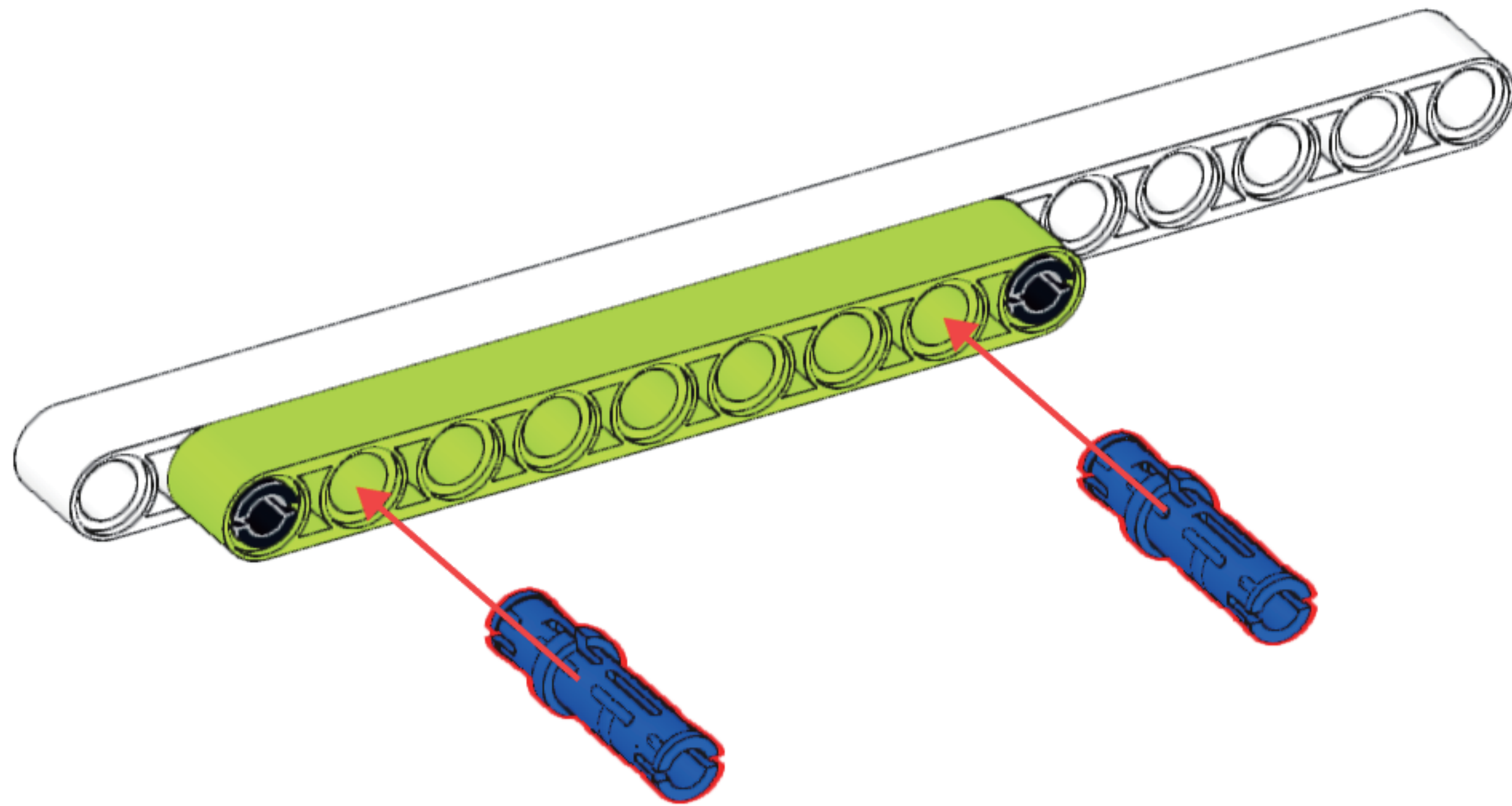
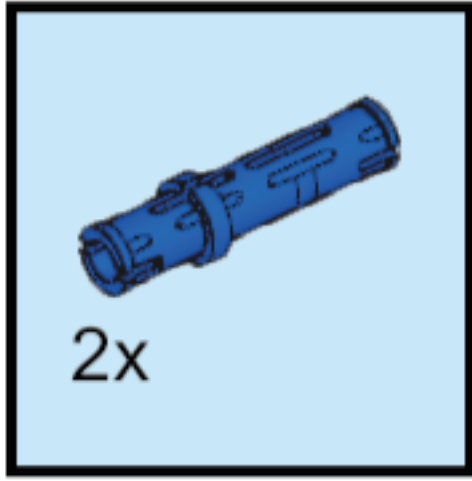


9



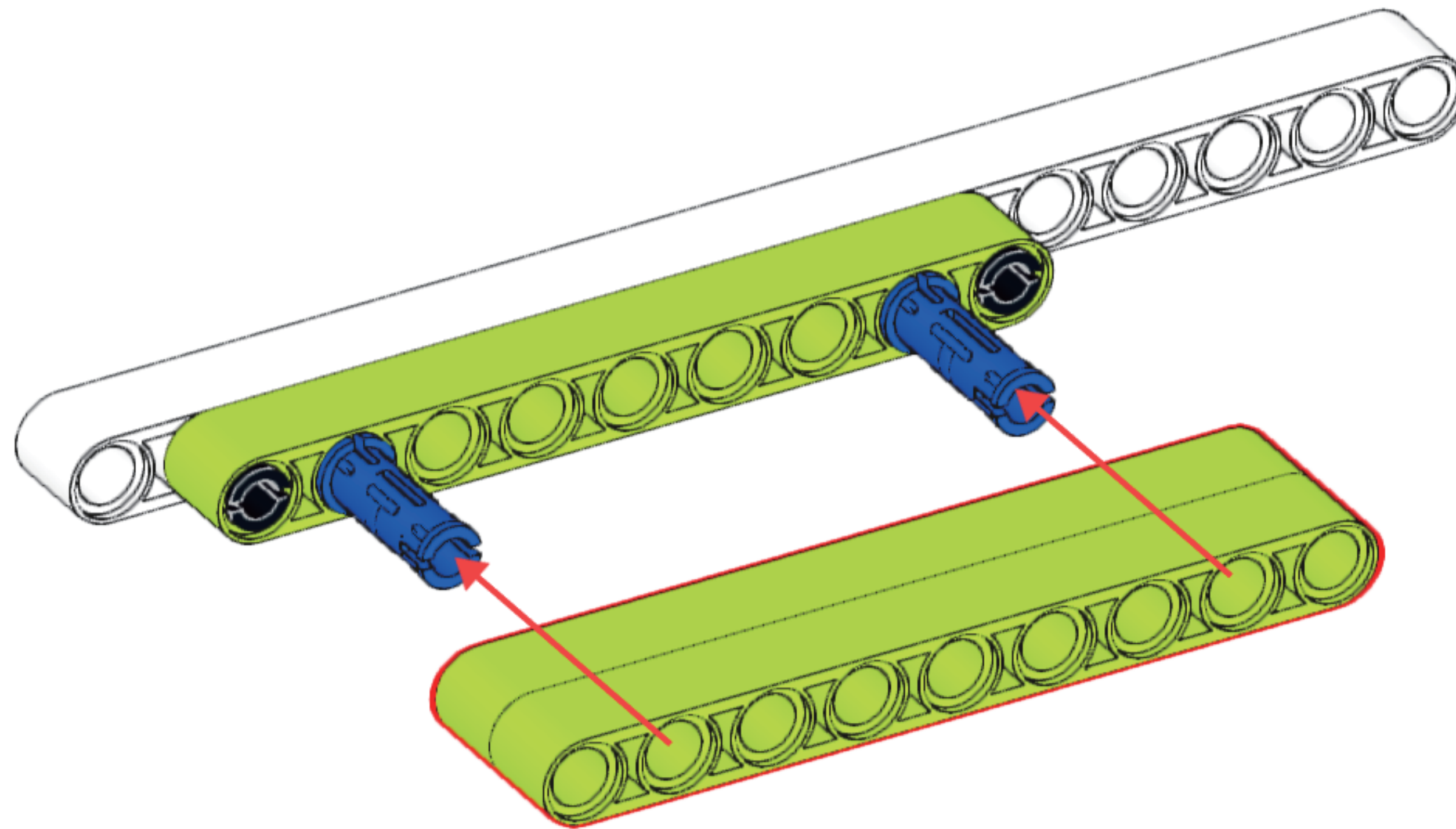
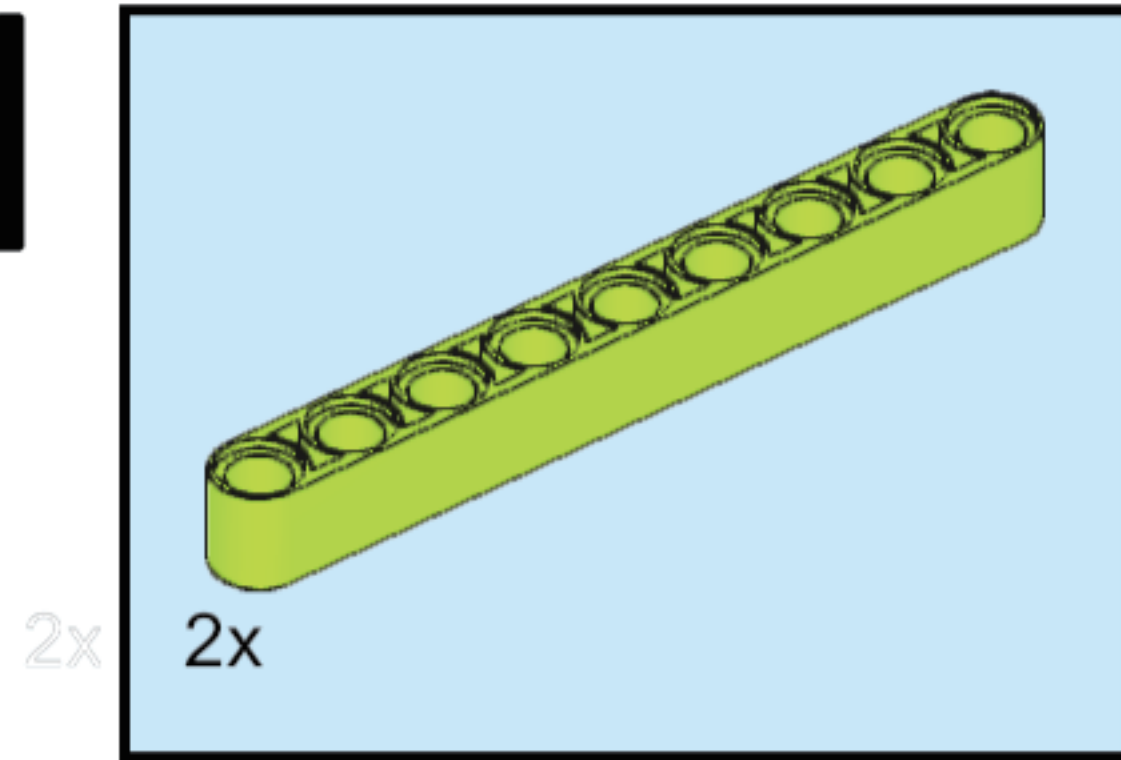
10

2:

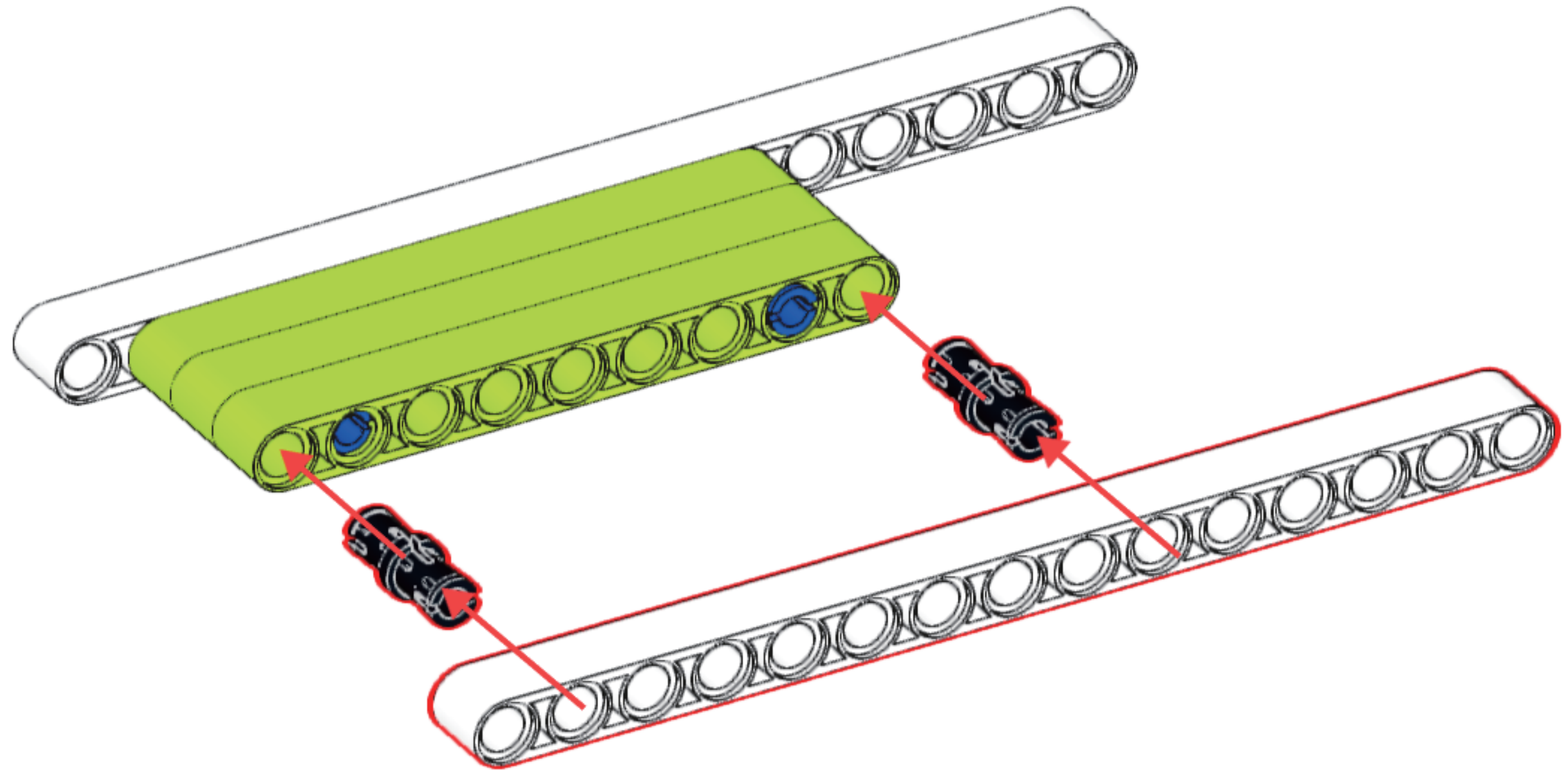
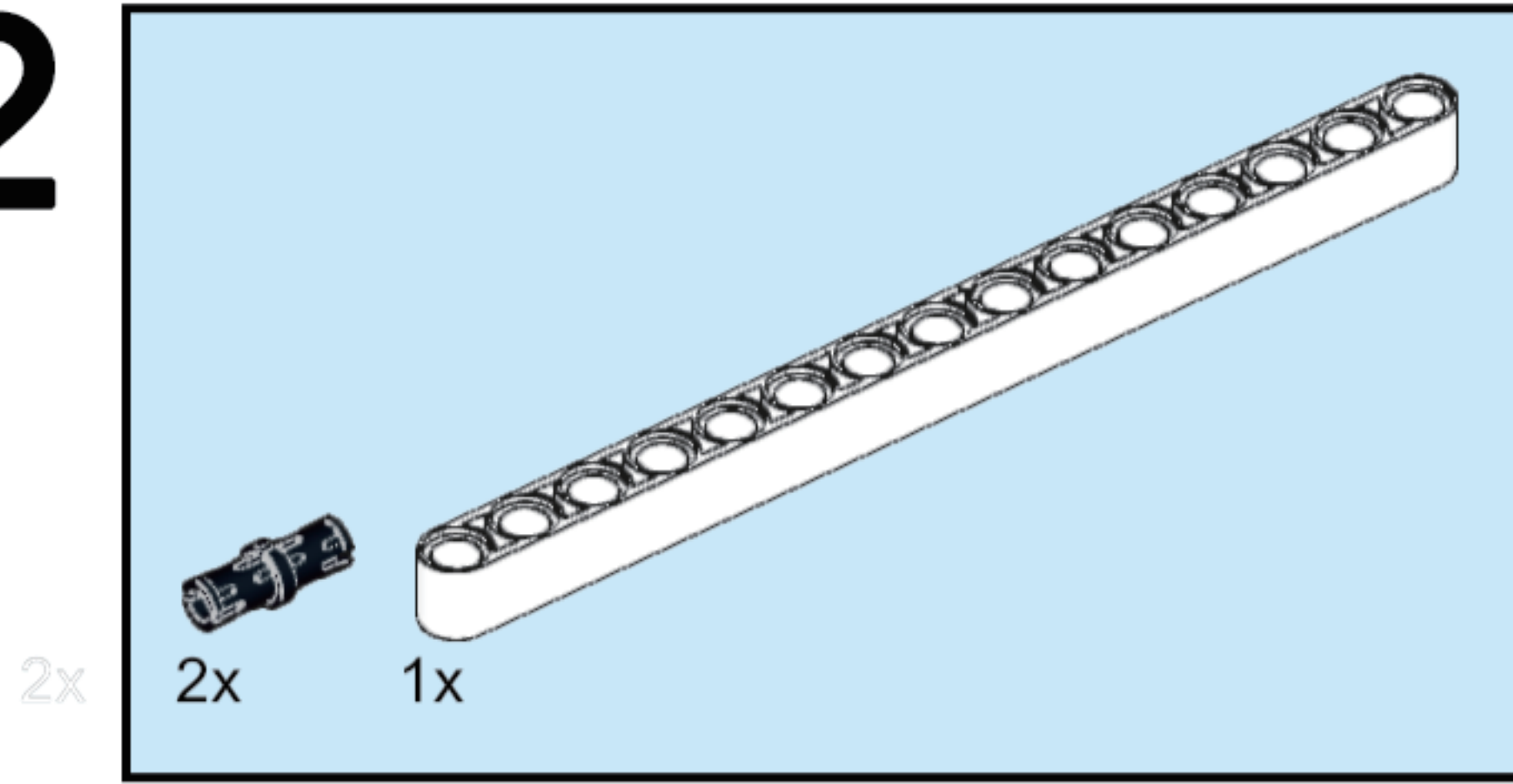




# 11

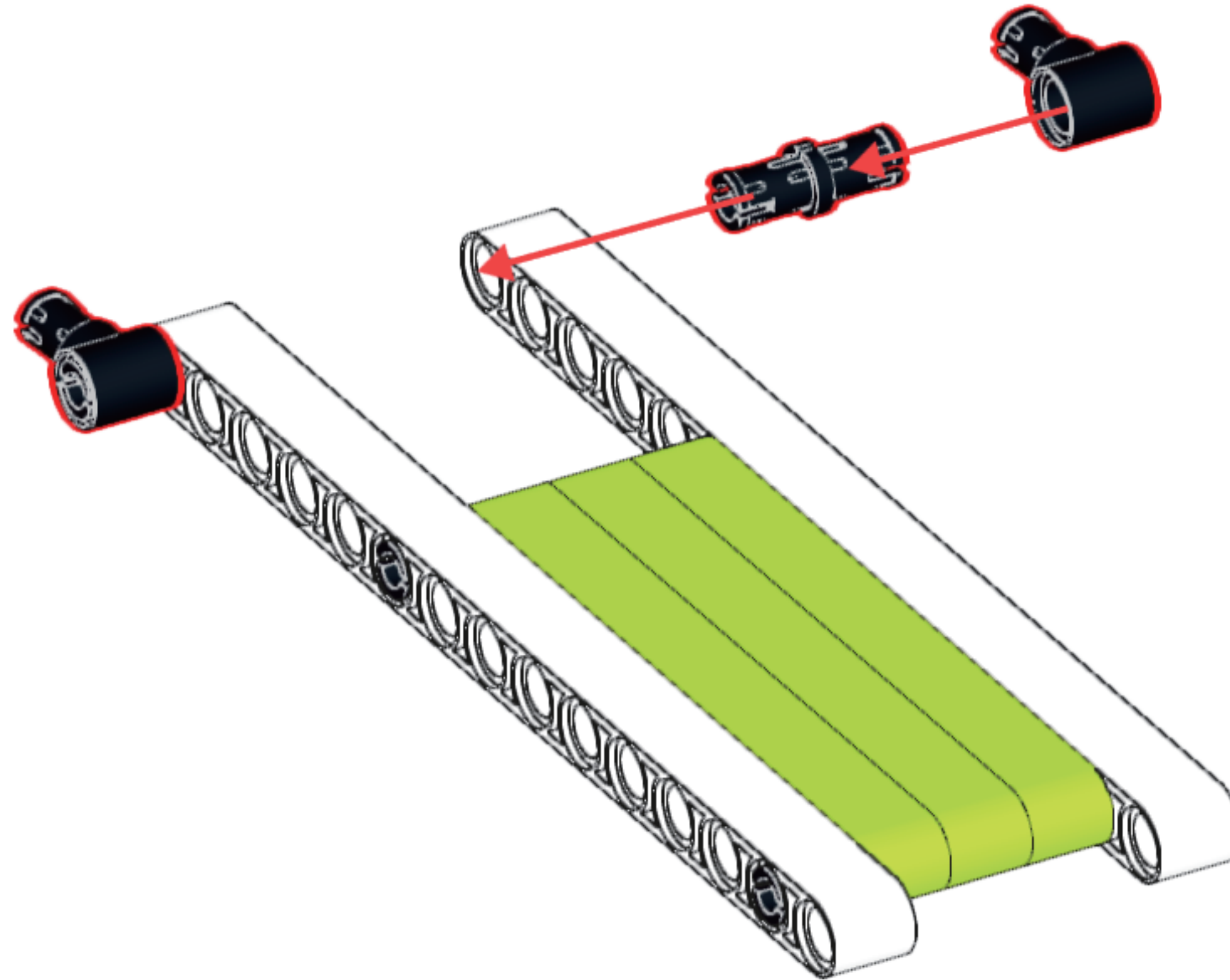
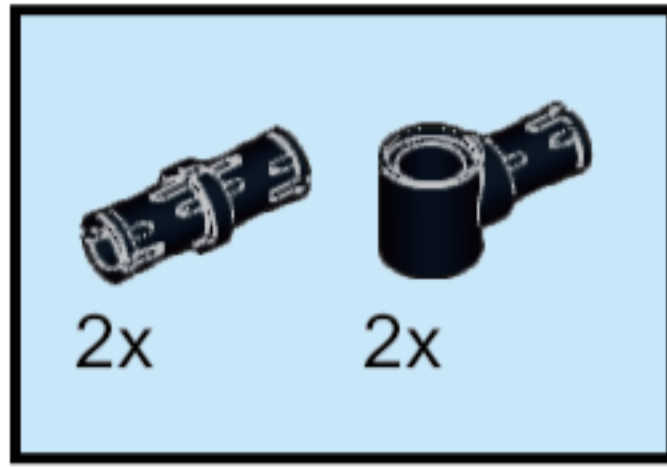


# 12

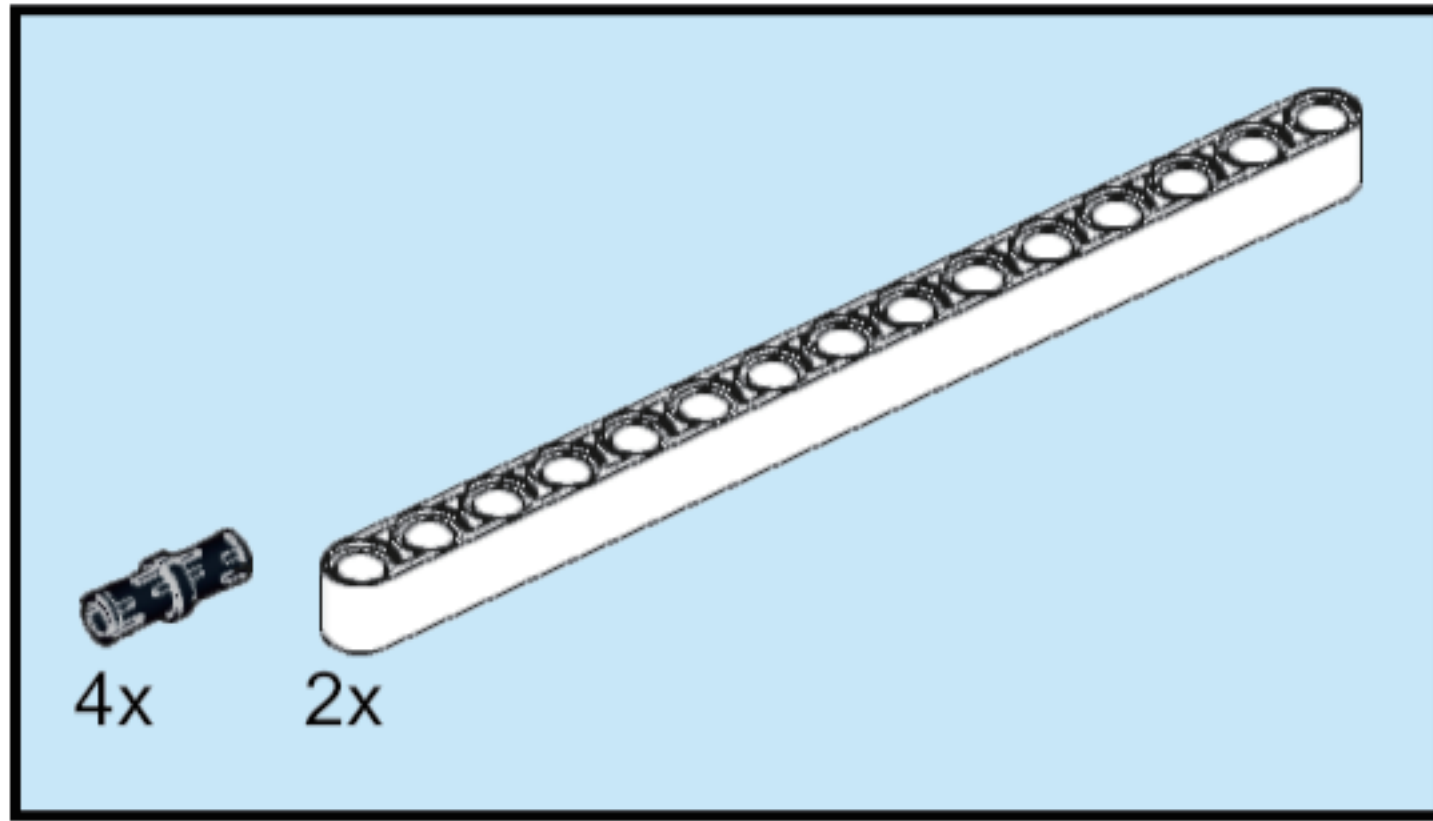




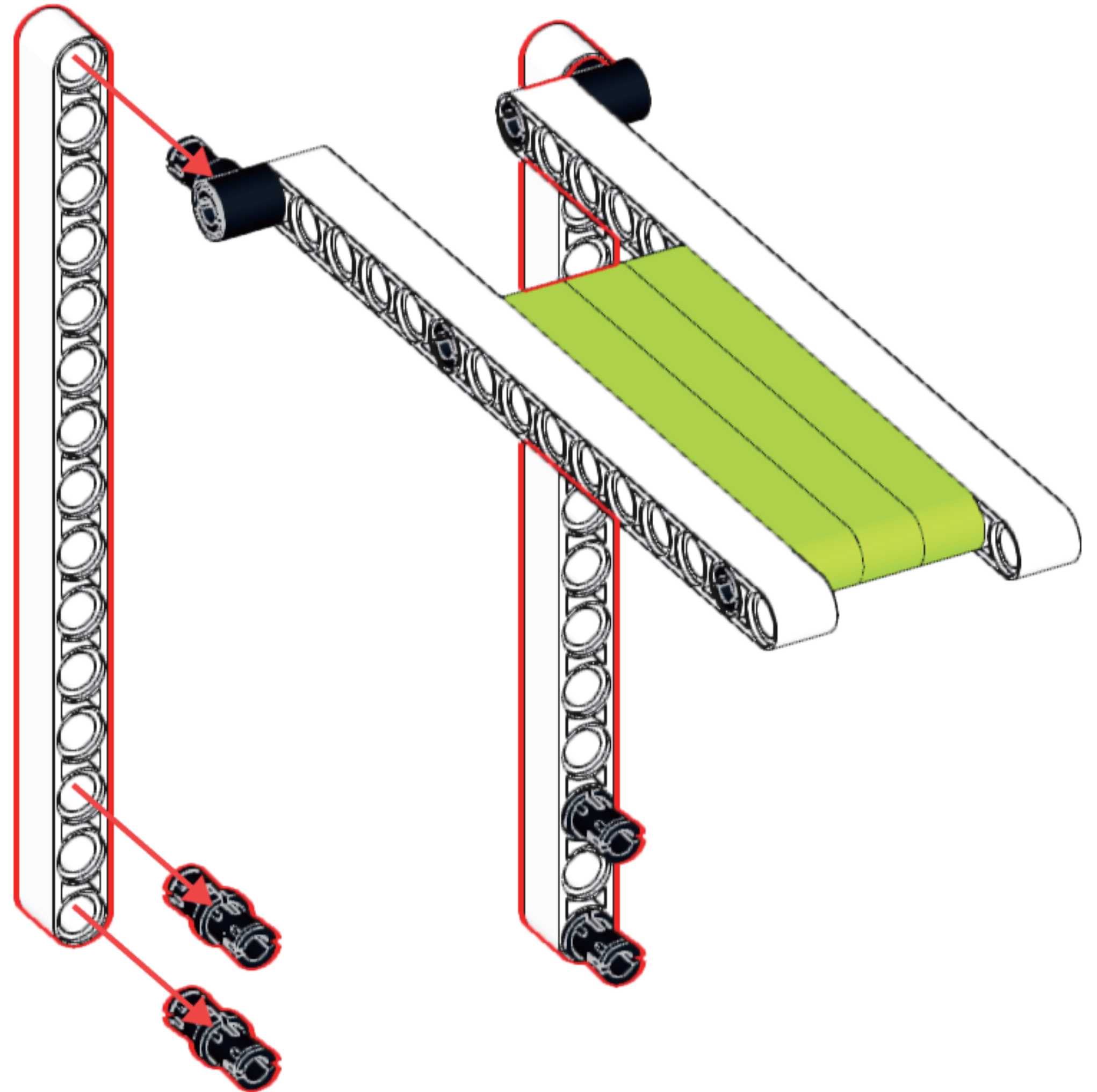
# 13



# 14

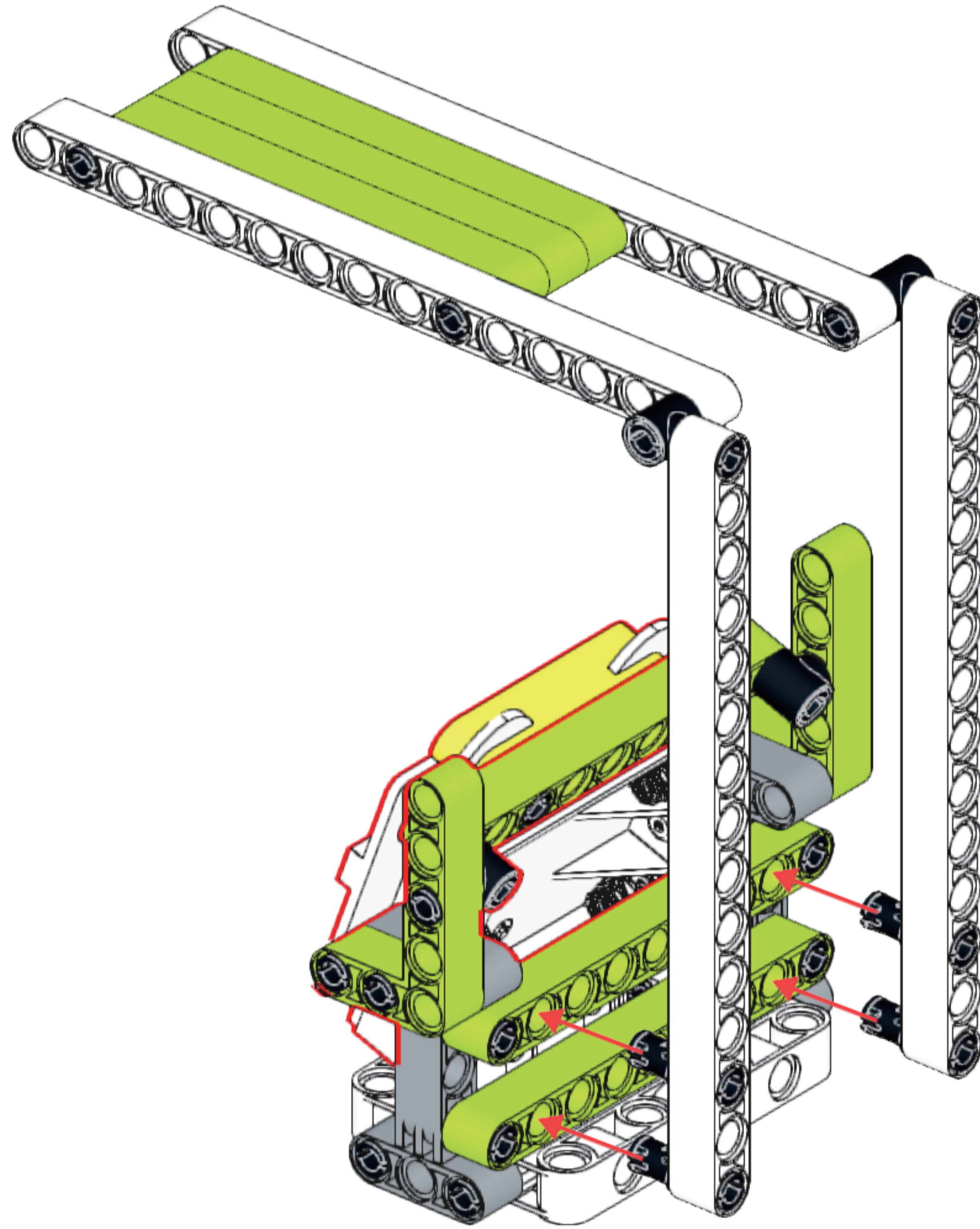


4x 2x



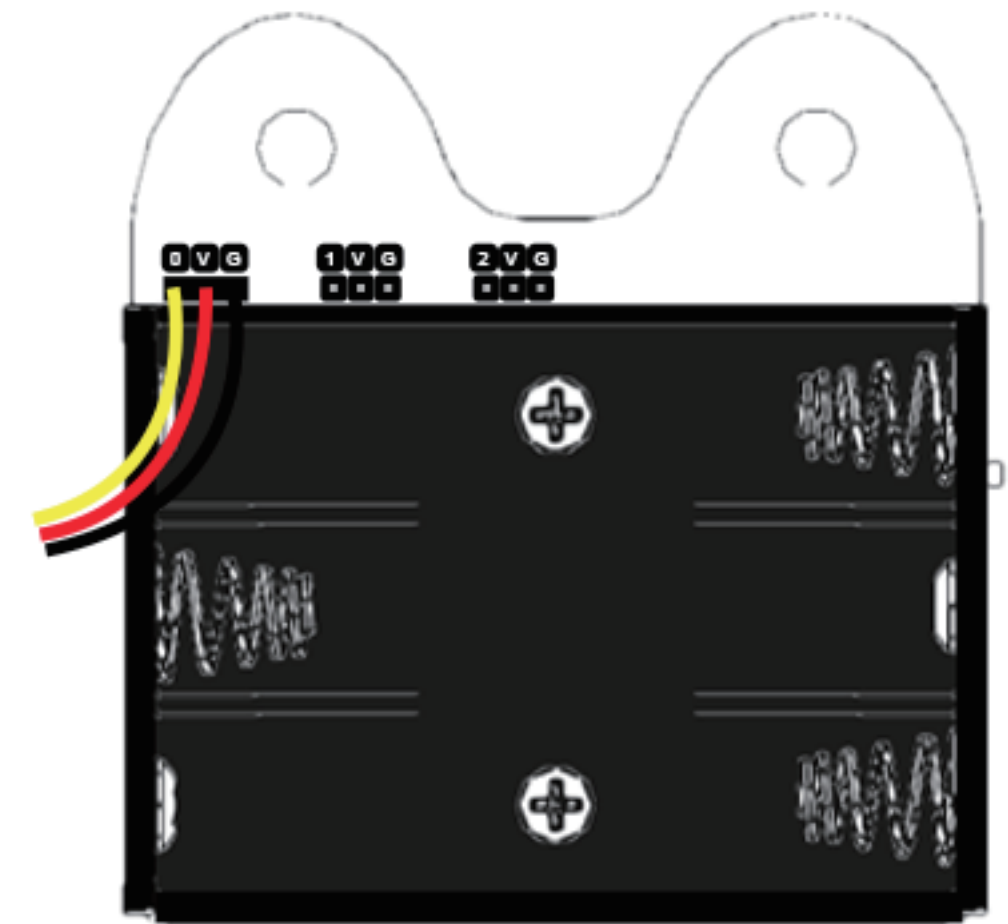
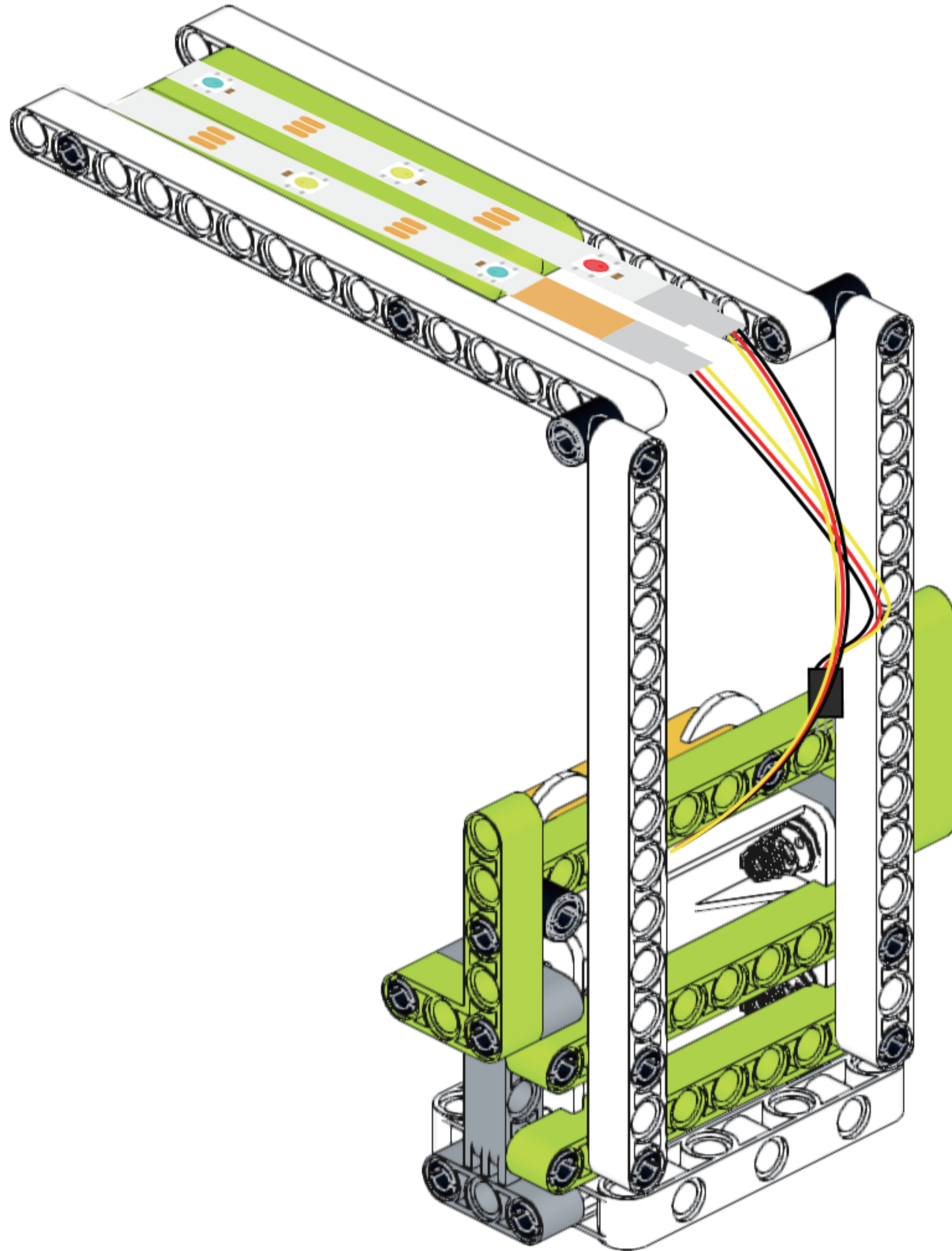


15





# 16





# Completed!

