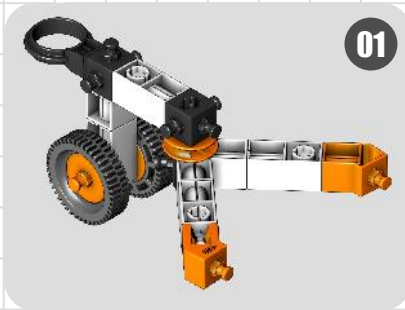
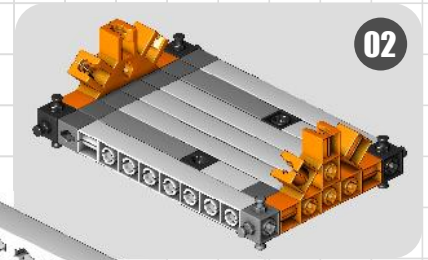


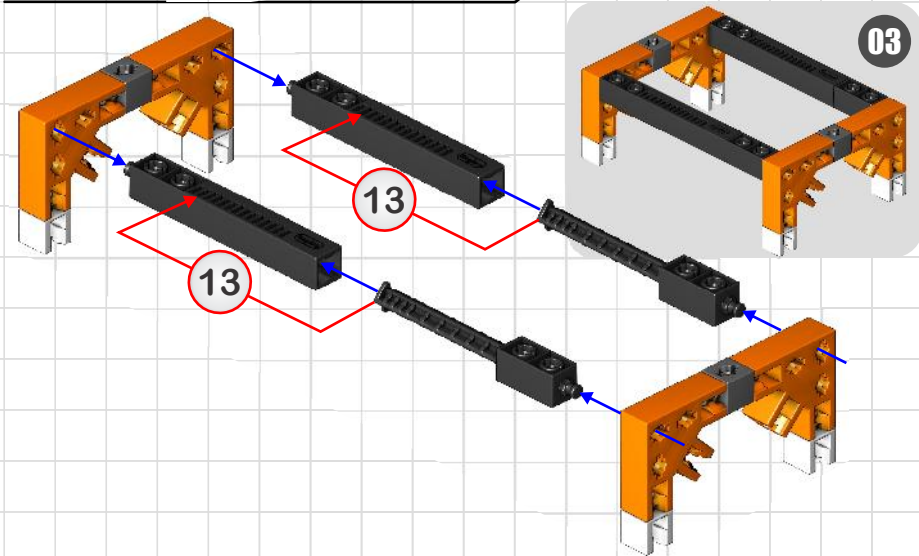
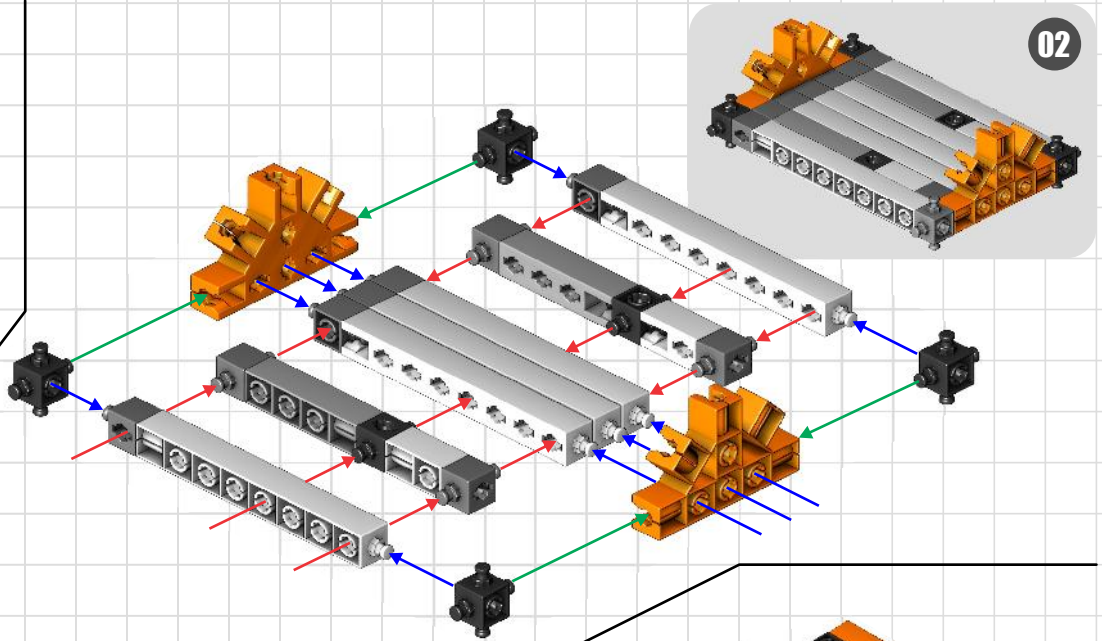
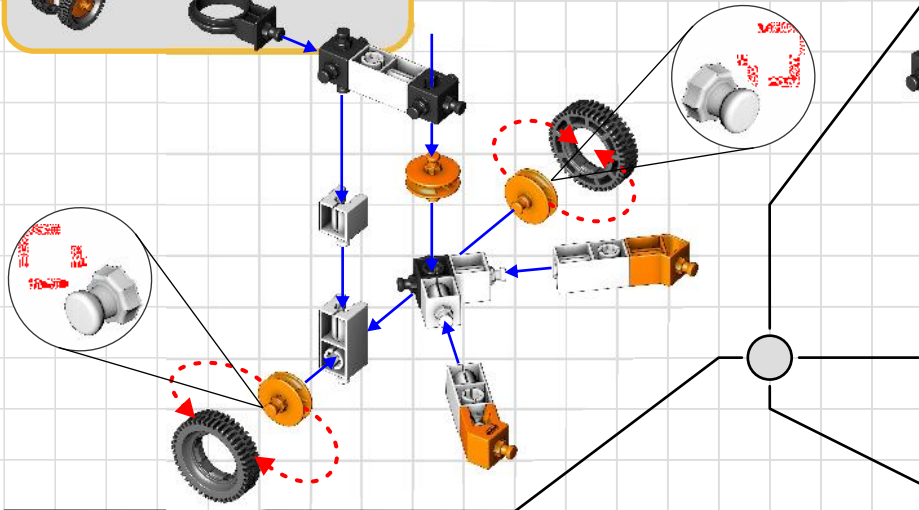
Cart



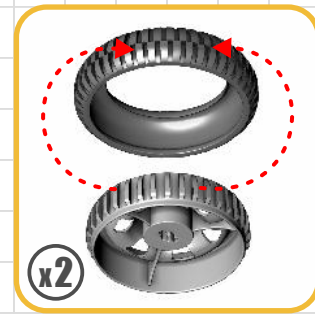
01



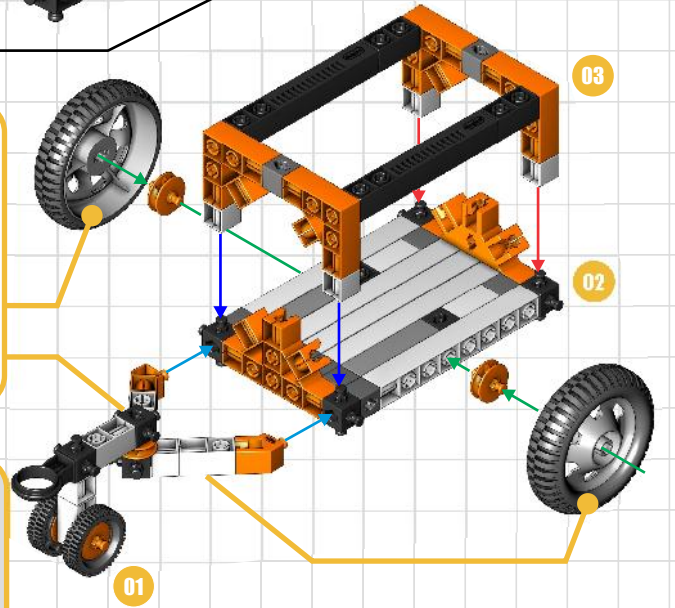
02



03



x2

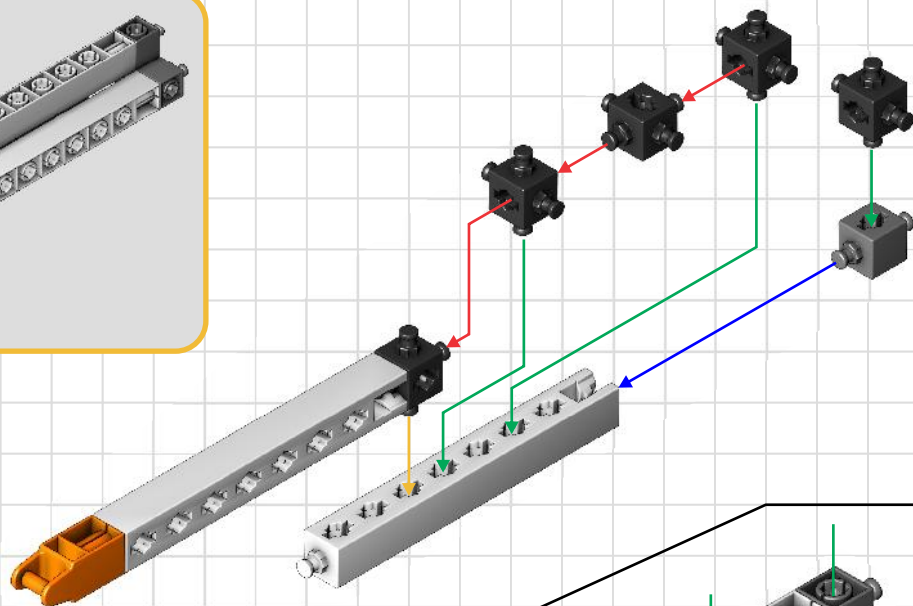
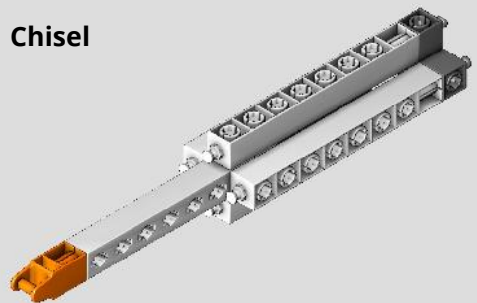


03

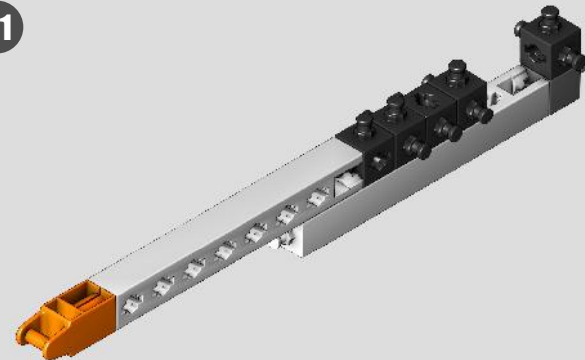
02

01

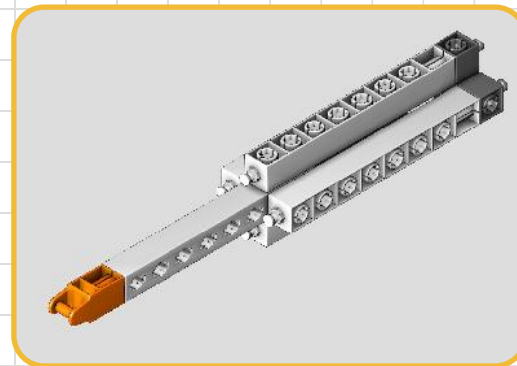
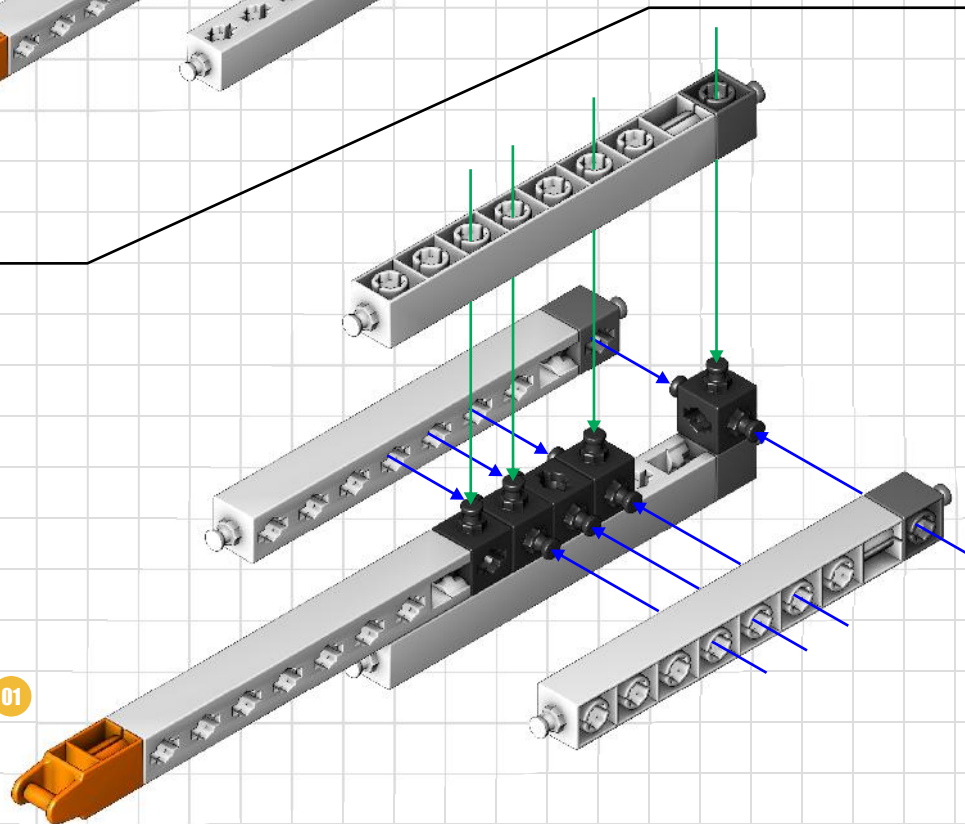
Chisel



01

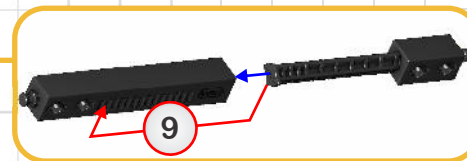
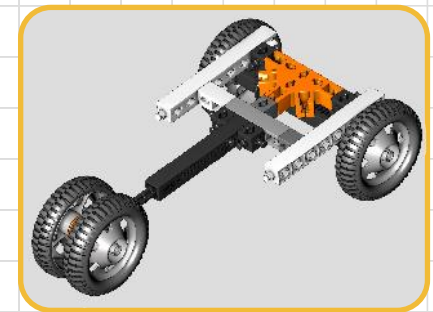
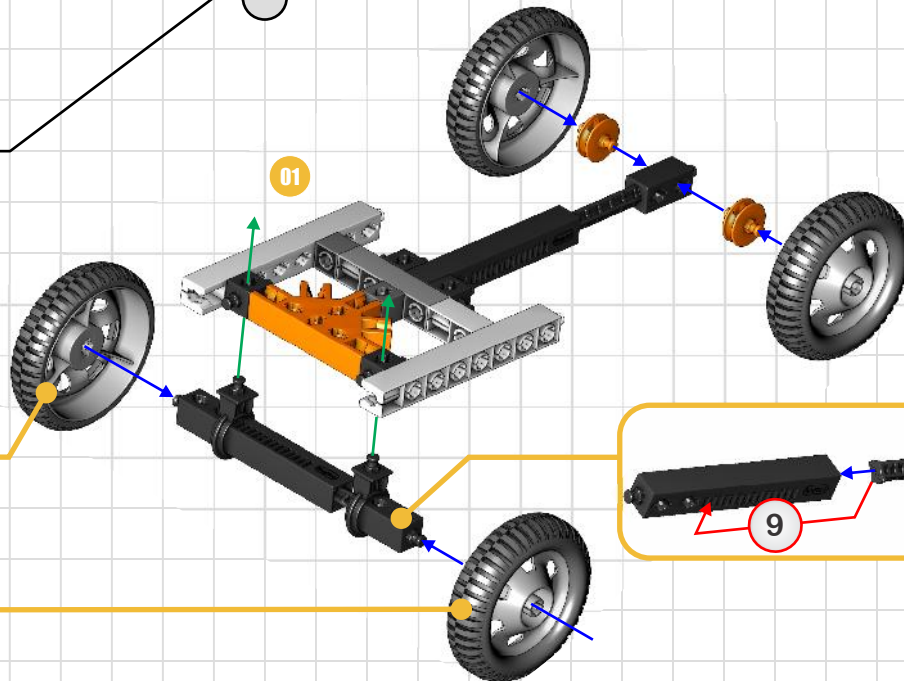
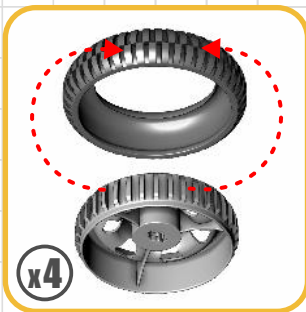
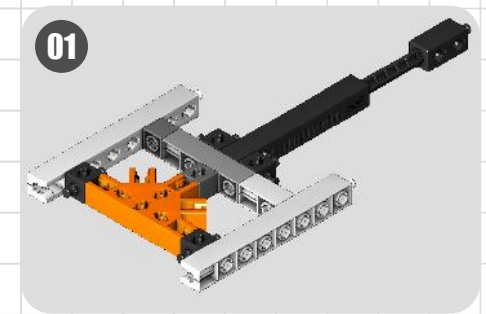
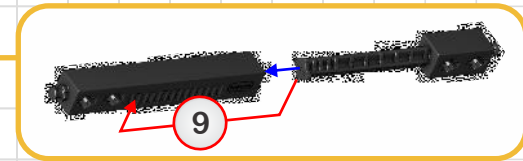
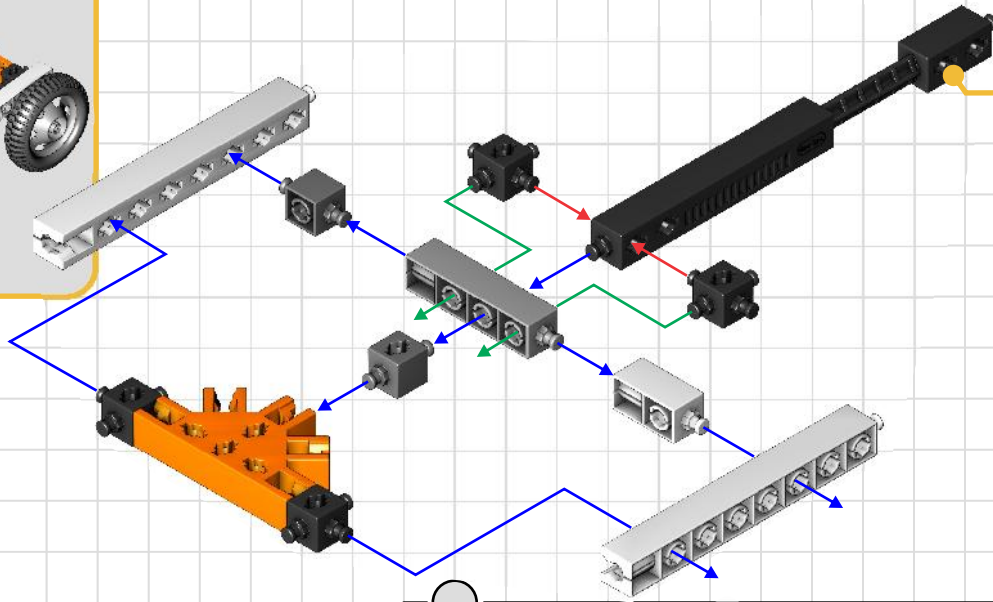
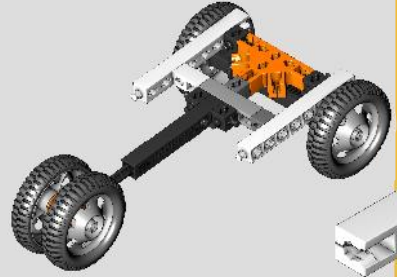


01



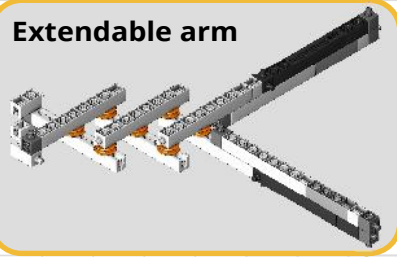
01

Experimental car





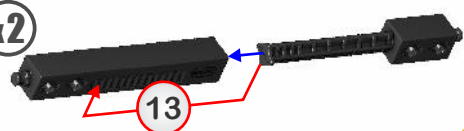
Extendable arm



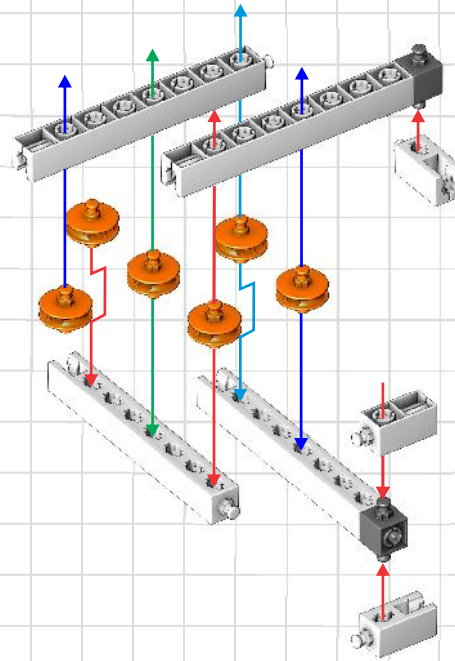
01 x2



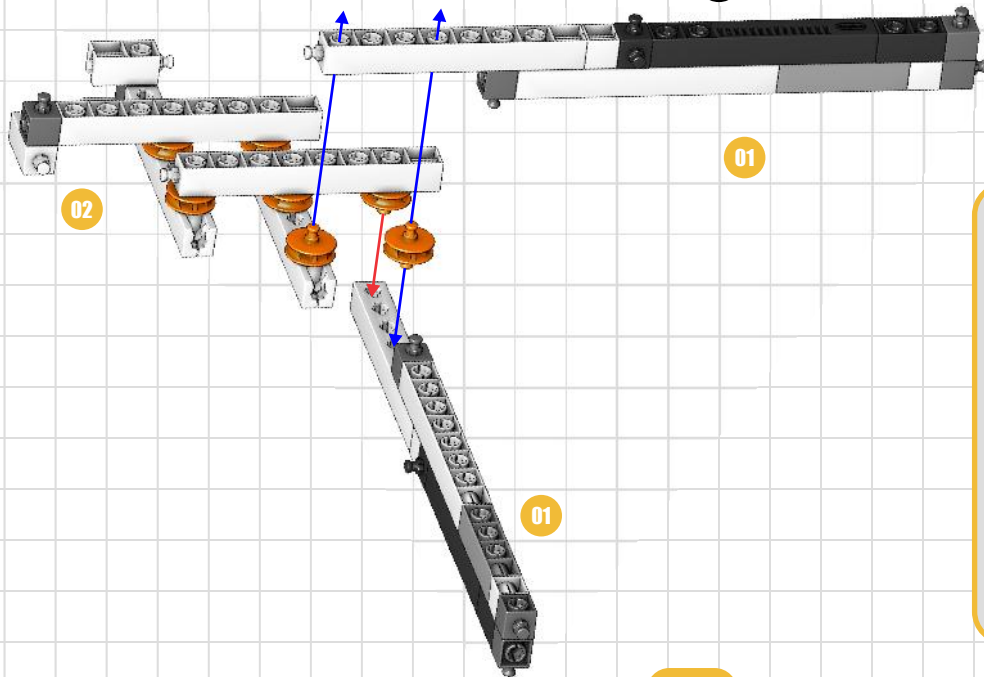
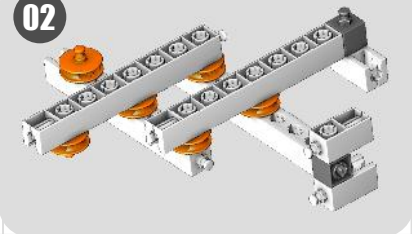
x2



13



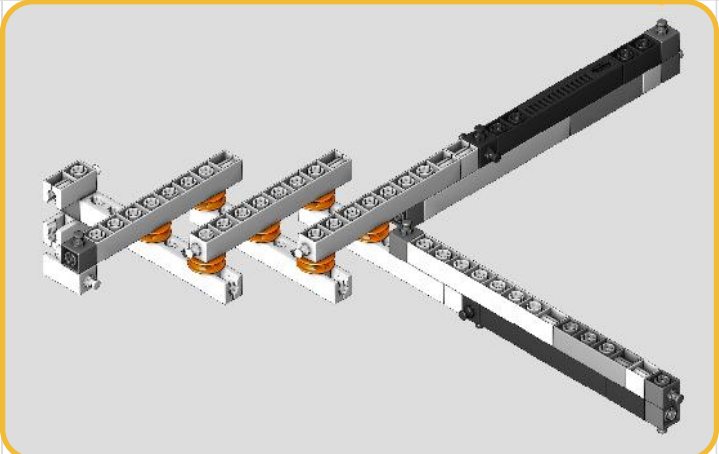
02

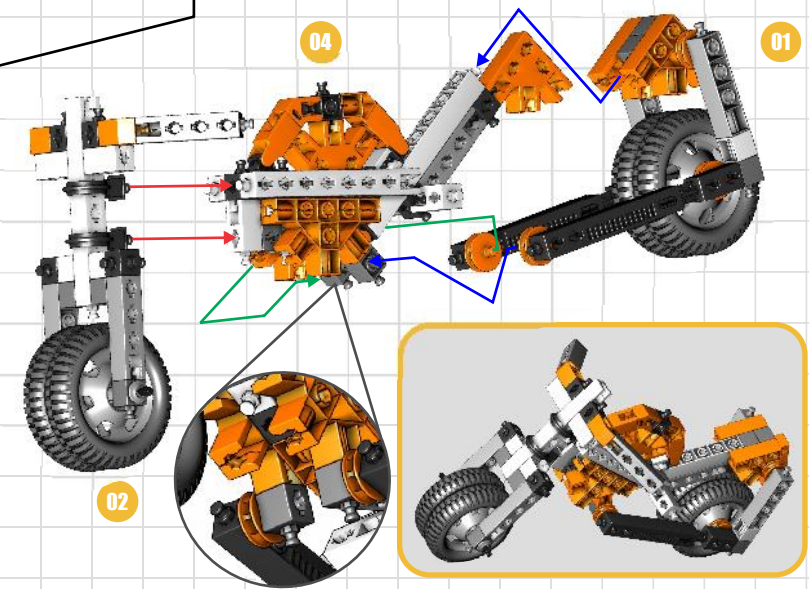
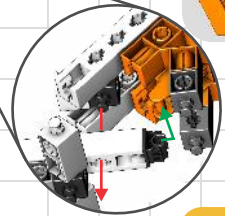
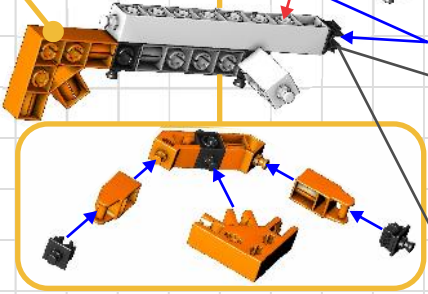
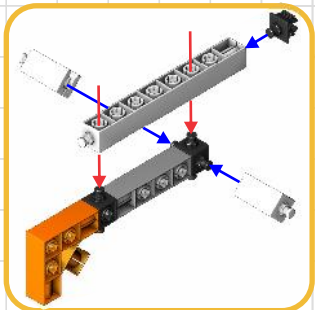
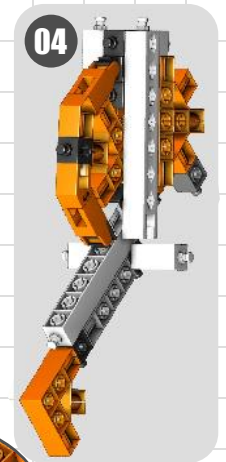
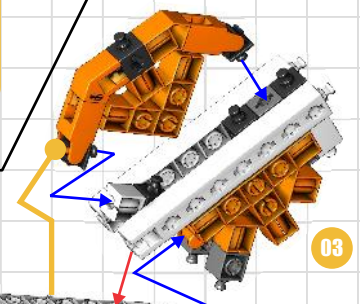
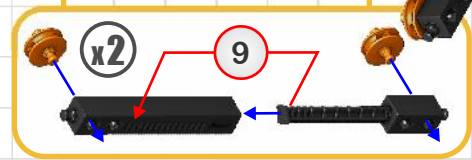
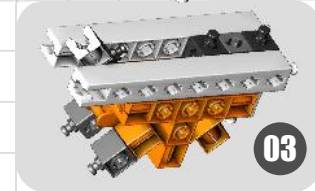
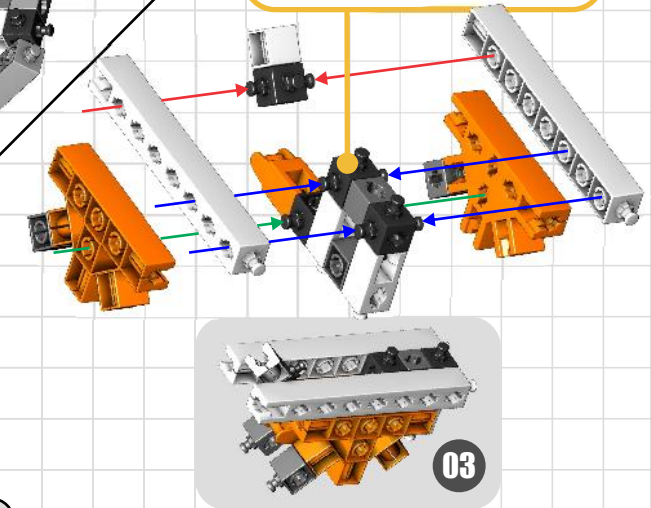
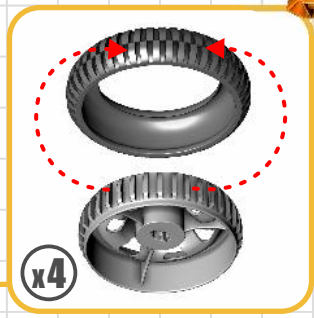
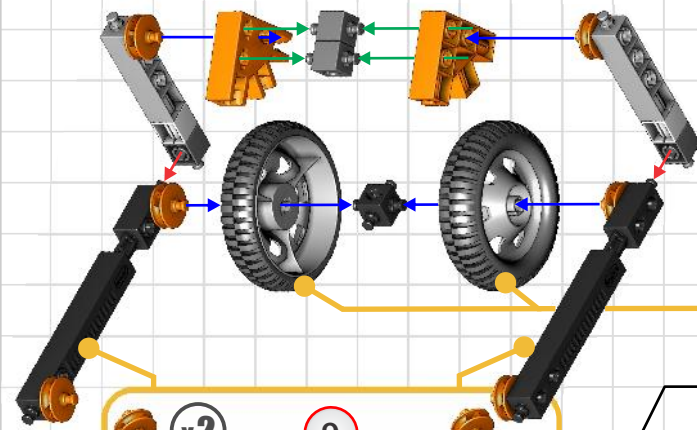
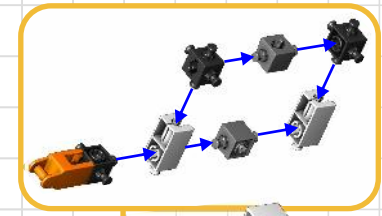
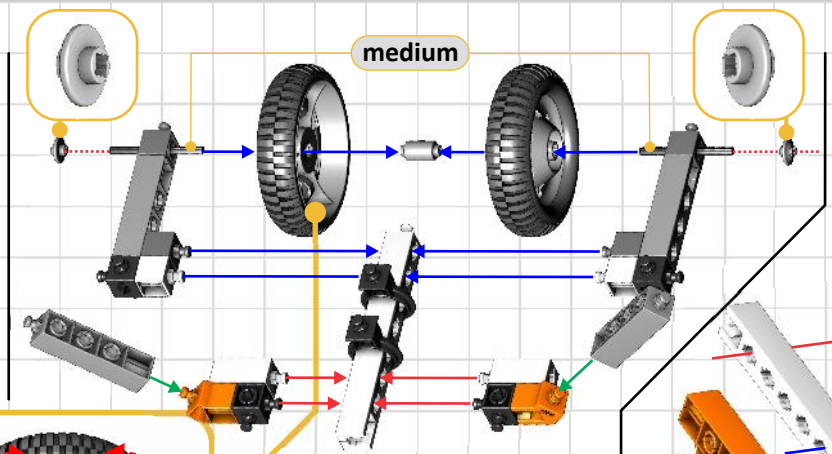
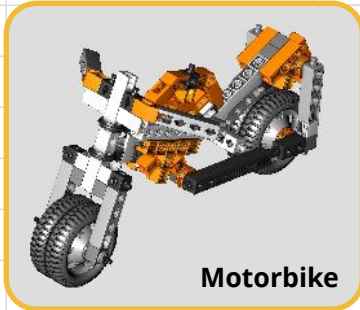


02

01

01





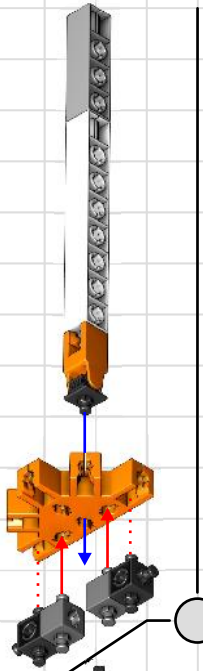




Towtruck



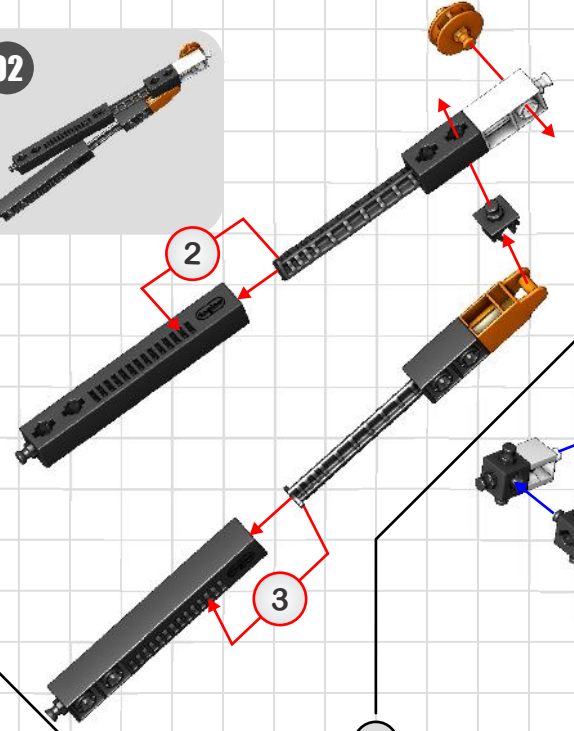
01



large

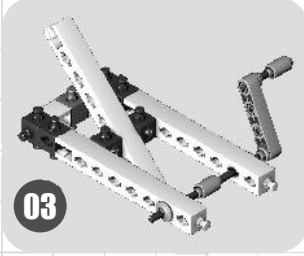


02

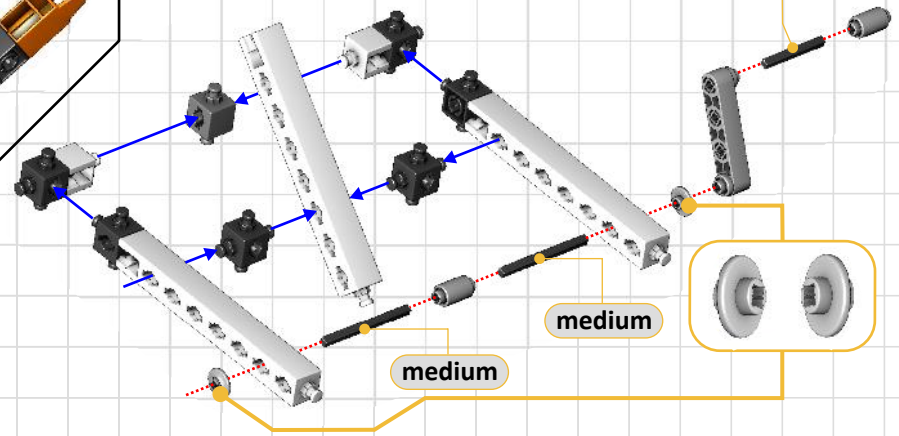


2

3



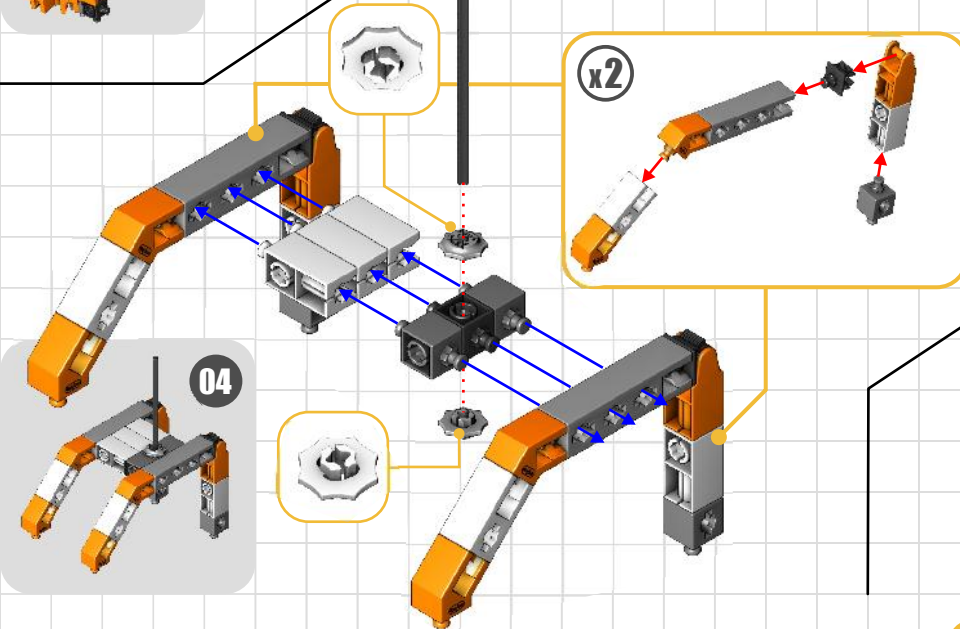
03



small

medium

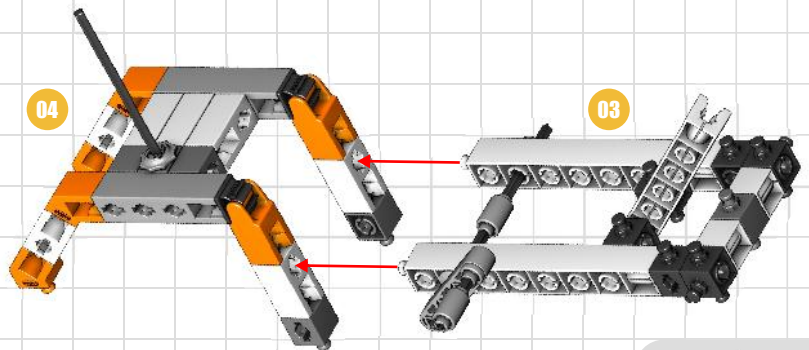
medium



x2

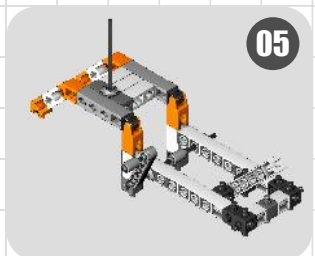


04

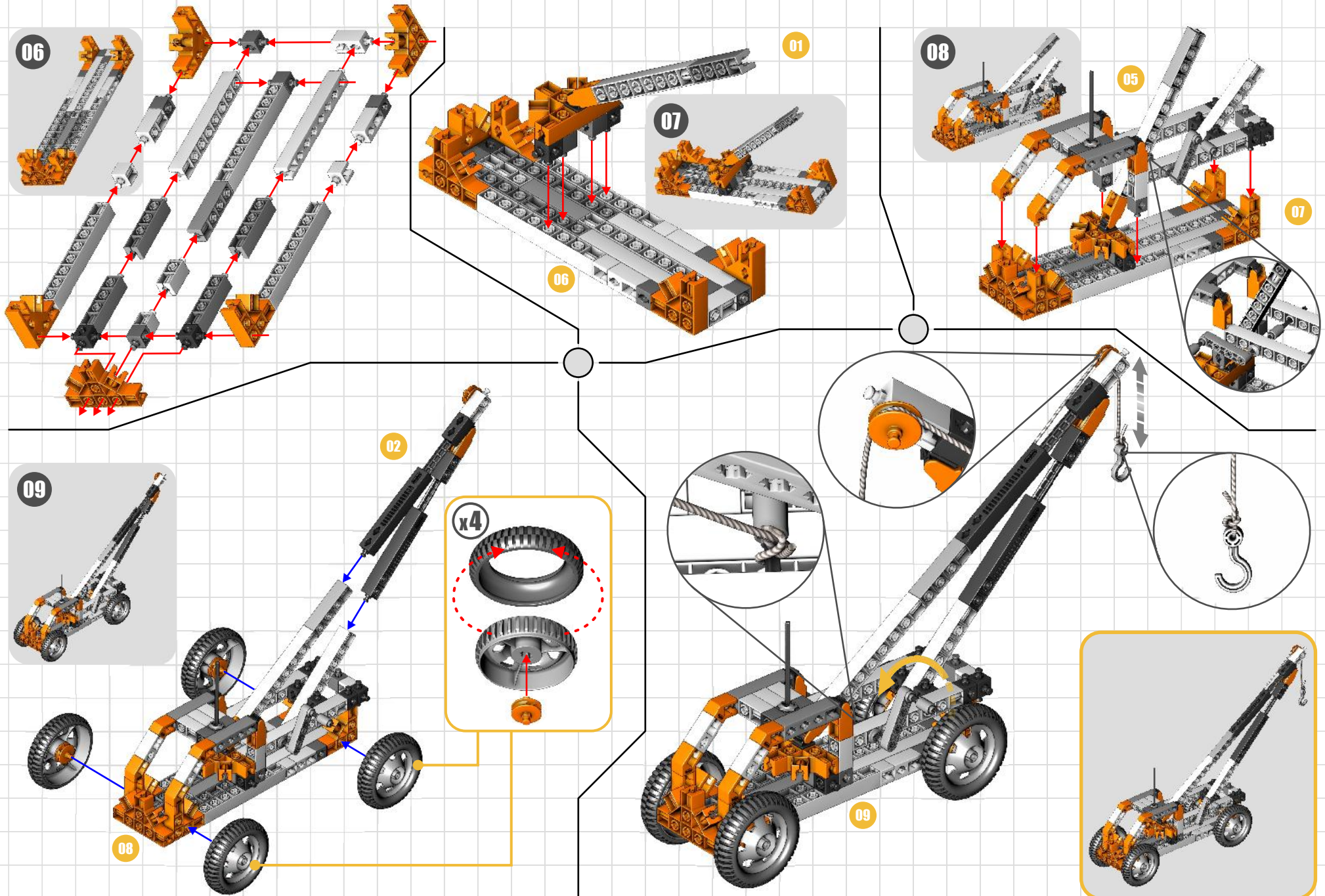


04

03

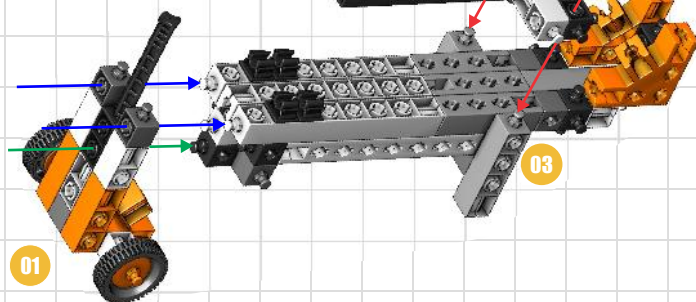
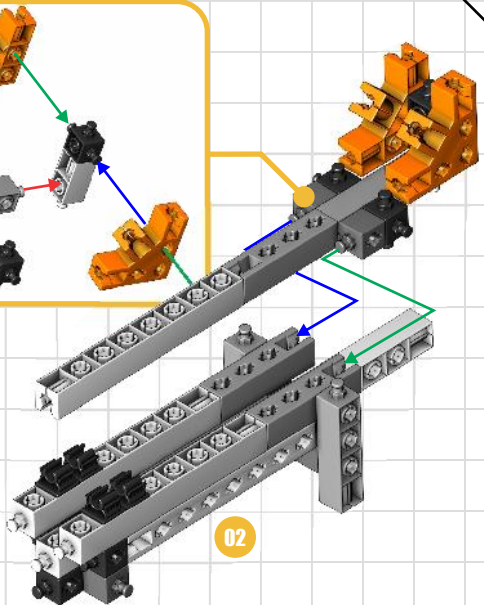
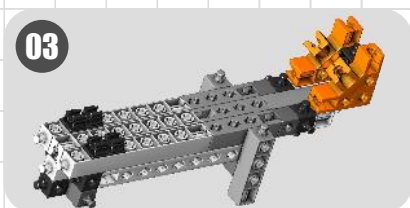
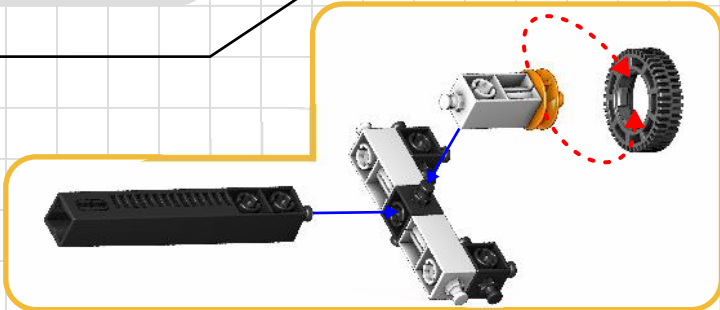
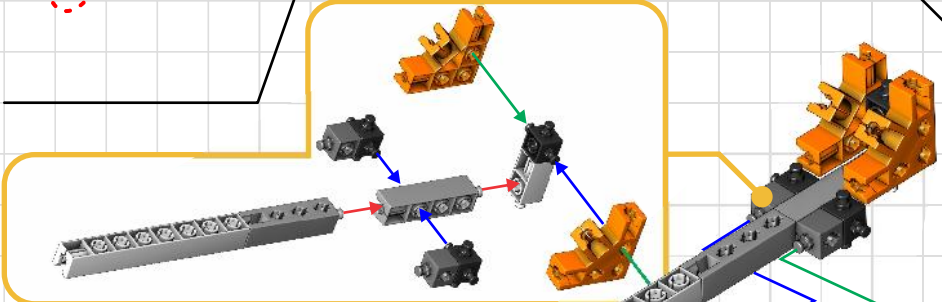
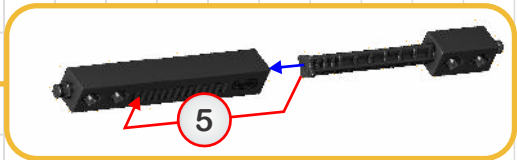
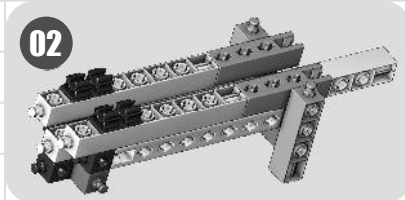
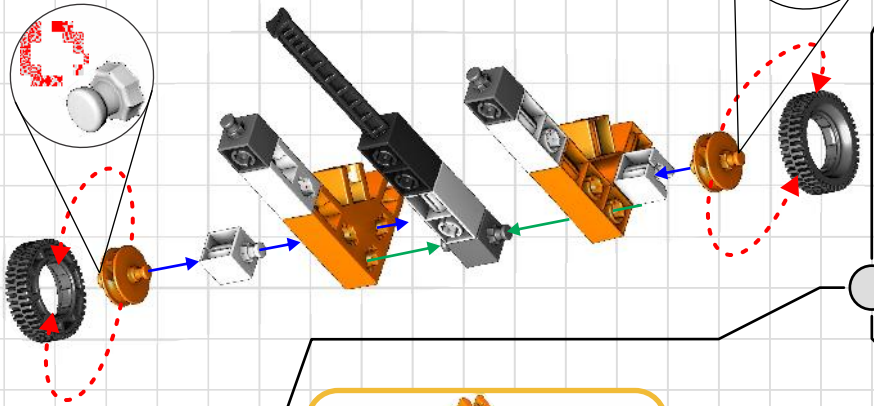
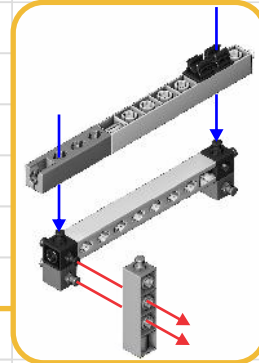
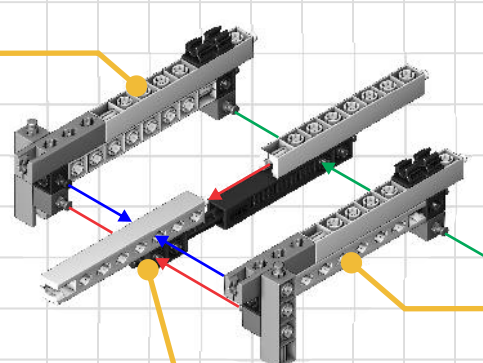
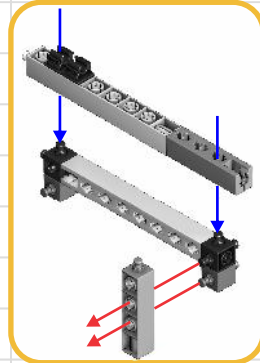
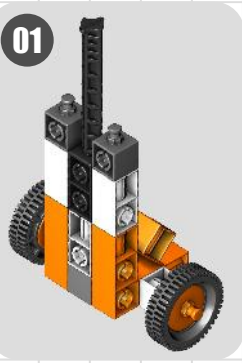
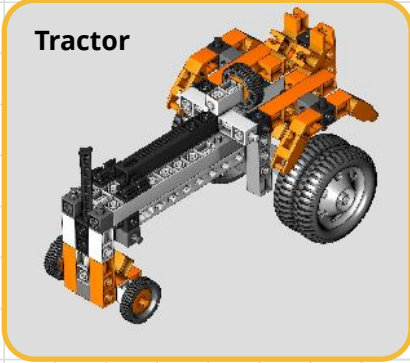


05

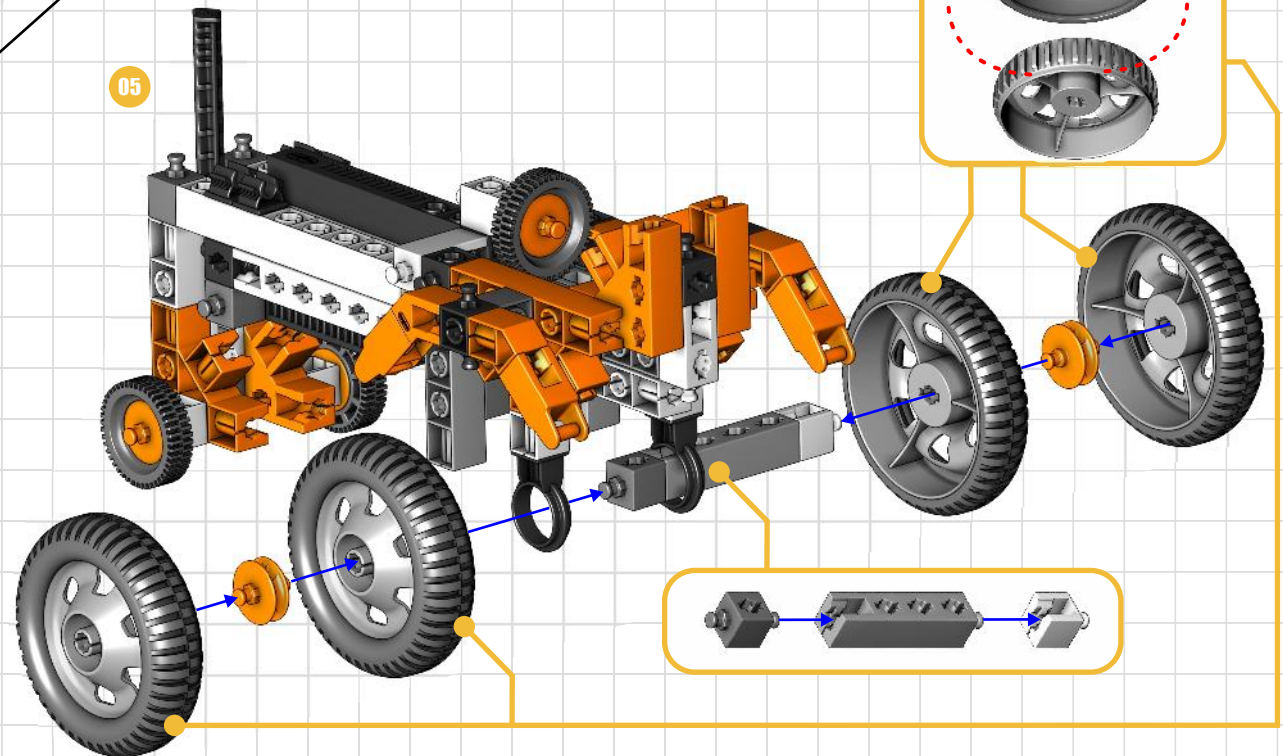
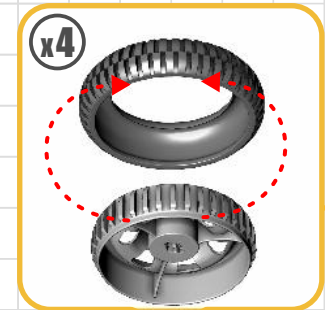
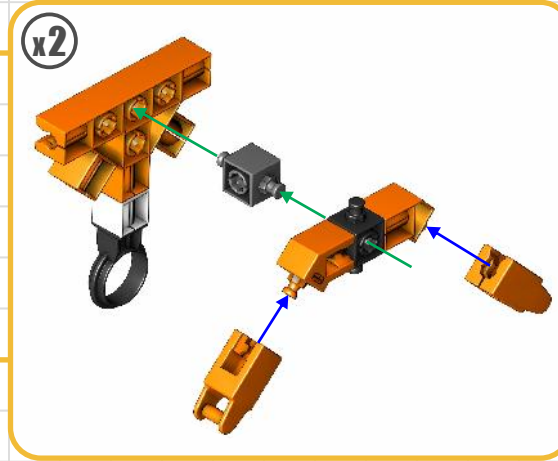
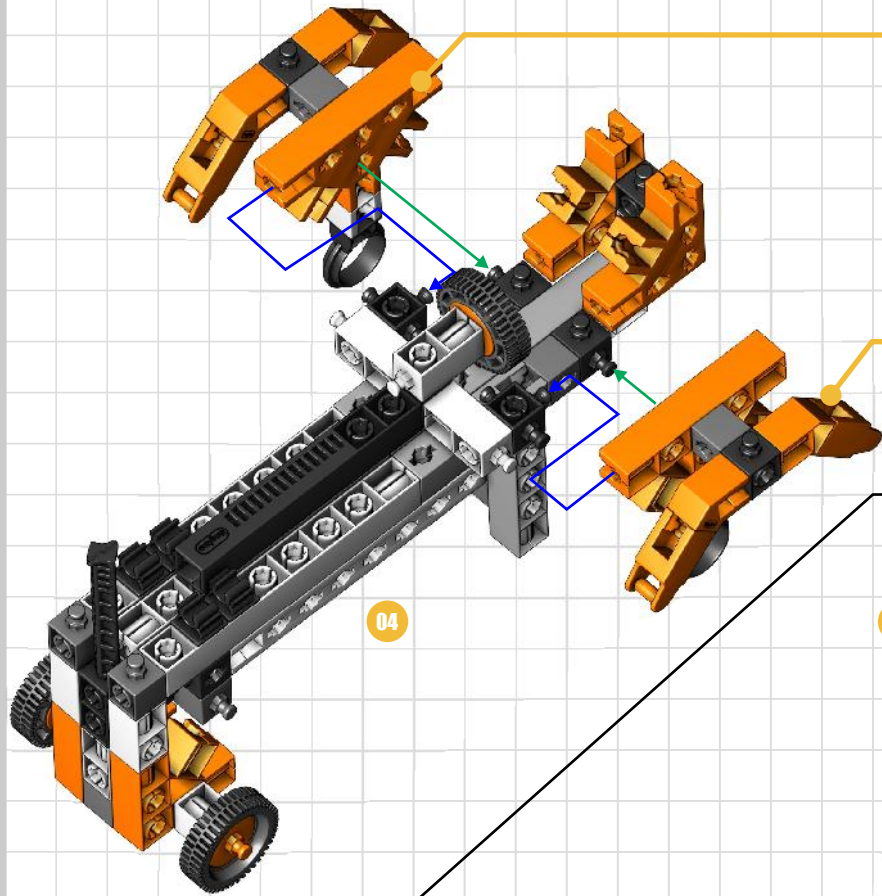




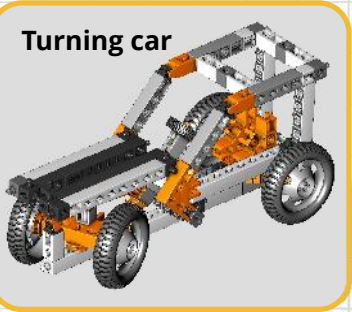
Tractor







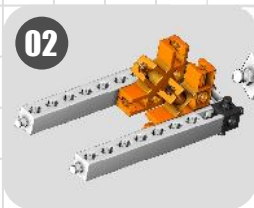
Turning car



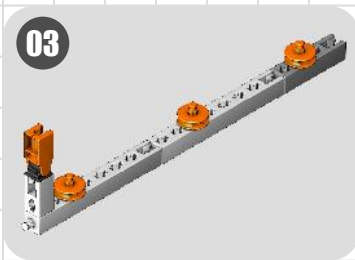
01



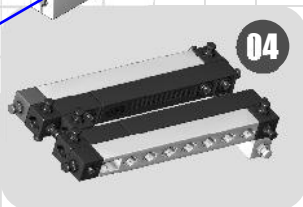
02



03



04

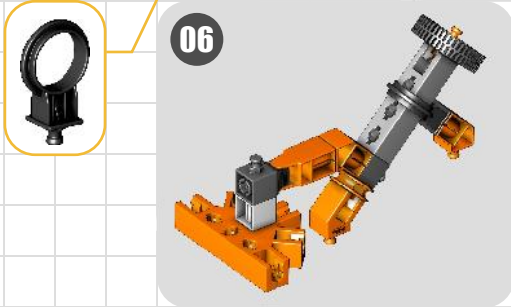


05

x2



06



x2

13

