

P800520.3.5

**Airfree®**

Instruction Manual

**Instruction Manual**

Bedienungsanleitung

**Bedienungsanleitung**

Manuel d'Instructions

**Manuel d'Instructions**

Manuale d'istruzioni

**Manuale d'istruzioni**



Airfree® E40/ E60/ E80/ E125/ P40/ P60/ P80/ P125/ P150  
Airfree® E40/ E60/ E80/ E125/ P40/ P60/ P80/ P125/ P150



## Index

Safety Instructions .....	7
The Invisible Enemies .....	8
Applications .....	8
Airfree and Mould .....	10
Airfree Description .....	10
Installing and Connecting .....	11
How does Airfree Work? Maintenance .....	12
Technical Characteristics .....	12
Airfree Independent and Efficiency Tests .....	13
Frequently Asked Questions.....	14
Warranty .....	16

Congratulations for having purchased your Airfree.

Airfree air purifiers are manufactured under license of US Patent 5,874,050, and many other patents pending worldwide. Airfree was designed with most advanced American and German technologies, to drastically destroy indoor airborne microorganisms and reduce ozone.

Different from other air purifier manufacturers, Airfree does not spend much time in describing fancy technologies with difficult words and theories. Airfree offers independent efficiency tests instead. For every Airfree claim there is one independent test to prove it!

Please carefully read this manual to achieve the best air purifying results.  
Enjoy your Airfree.

Thank you,  
AIRFREE PRODUCTS

Copyright 2013 Airfree Produtos Electronicos Lda. All Rights Reserved

All rights reserved. No part of this publication may be reproduced, photocopied, transmitted, transcribed, stored in a retrieval system, or translated into any language in any form or by any means without the express prior written consent of Airfree Produtos Electronicos Lda.

## Inhaltsverzeichnis - Deutsch

Sicherheitshinweise.....	17
Die unsichtbaren Feinde .....	18
Anwendungsbereiche.....	18
Airfree® und Schimmel .....	20
Eigenschaften des Airfree® .....	20
Installation und Anschluß des Airfree®.....	21
Technische Spezifikationen .....	22
Bedienung & Wartung .....	22
Unabhängige Leistungstests .....	23
Häufig gestellte Fragen .....	24
Gwährleistung.....	26

Sie haben ein Produkt von Airfree® erworben, das erstklassige Wirksamkeit mit umweltfreundlicher Technologie vereint. Die Technologie von Airfree® wurde weltweit von unabhängigen Institutionen als äußerst effektiv bei der Beseitigung von Mikroorganismen, Allergiestoffen und Ozon aus der Luft bewertet. Die Produkte von Airfree® werden nach den aktuellen Normen von CE und anderen internationalen Zertifizierungen hergestellt. Die vorrangigen Ziele von Airfree® sind Qualität, Leistung und Zufriedenheit des Kunden.

Copyright 2001-2013 Airfree® Produtos Electrónicos Lda.

Alle Rechte vorbehalten. Kein Teil dieser Veröffentlichung darf ohne vorhergehende schriftliche Zustimmung der Airfree®. reproduziert, fotokopiert, übertragen, eine Durchschrift erstellt, in einem Abrufsystem gespeichert oder in eine andere Sprache übersetzt werden, in jeder Form und auf jedem Übertragungsweg.

## Sommaire

Instructions de Sécurité .....	27
Les Ennemis Invisibles .....	28
Utilisations .....	28
Airfree et Moisissures .....	30
Description de Airfree .....	30
Installation et Branchement.....	31
Caractéristiques Techniques .....	32
Fonctionnement et Entretien .....	32
Tests d'efficacité par des laboratoires indépendants.....	33
Questions les plus fréquentes .....	34
Garantie.....	36

Conçu à partir de technologies avancées, par exemple l'utilisation de céramiques spéciales élaborées en Allemagne, votre Airfree va vous permettre de réduire drastiquement les micro-organismes présents dans l'air. Pour obtenir les meilleurs résultats, nous vous prions de lire attentivement ce manuel. Il vous aidera à améliorer l'environnement pour vous, votre famille ou vos collègues de travail.

Copyright 2001-2013 Airfree® Produtos Eletrónicos Lda.

Tous droits réservés. Ce document ne peut être reproduit, copié, distribué, archivé ou traduit, en totalité ou partie, sans l'accord écrit préalable de Policon Ltd.

## Indice

Istruzioni di sicurezza .....	37
I nostri nemici invisibili .....	38
Applicazioni .....	38
Airfree® e la muffa .....	40
Descrizione di Airfree® .....	40
Installazione e collegamenti .....	41
Caratteristiche di Airfree® .....	42
Descrizione di Airfree® .....	42
Test indipendenti sull'efficacia di Airfree® .....	43
FAQ (Domande frequenti) .....	44
Garanzia Limitata .....	46

Avete appena acquistato Airfree® che unisce efficacia e tecnologia ecologica. Airfree® è prodotto con una tecnologia avanzata e sicura per l'eliminazione di microrganismi ambientali ed acari la cui estrema efficacia è comprovata da istituzioni indipendenti di tutto il mondo. I prodotti Airfree® sono fabbricati in un moderno stabilimento europeo certificato CE. Gli obiettivi primari di Airfree® sono la qualità, l'efficacia e la soddisfazione del cliente.

AIRFREE® PRODUCTS

**Copyright 2001-2013 Airfree® Produtos Electrónicos Lda.**

Tutti i diritti riservati. E' vietata la riproduzione, fotocopiatura, trasmissione, trascrizione, archivio con qualsiasi metodo di reperimento o traduzione in qualunque altra lingua di questo manuale senza prima ricevere il consenso scritto di Airfree® Produtos Electrónicos Lda. Lisboa (Portogallo).

## Safety Instructions



This appliance is not intended for use by persons (including children) with reduced physical, sensory or mental capabilities, or lack of experience and knowledge, unless they have been given supervision or instruction concerning use of the appliance by a person responsible for their safety.



Children should be supervised to ensure that they do not play with the appliance.



Before plugging in Airfree slightly shake it to check for any loose parts in its interior caused by unusual transportation event. If loose parts are noticed, please return the unit to the retailer.



Do not place your Airfree in direct contact with water and liquids which may pose electric shock hazard and damage to the unit itself.



Do not obstruct Airfree air outlets with items such as towels, clothing, curtains, as they can cause overheating and irreparable damage to the unit.



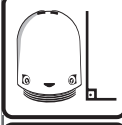
Do not attempt to open Airfree or touch its internal components and/ or do not insert any objects as it may pose electric shock.  
Any attempt to open or tamper Airfree will void this warranty.



Airfree as any other electric equipment shall not be manipulated by children.



To clean Airfree, unplug it from the electric outlet and use a dry cloth to wipe off its surface. Do not attempt to open Airfree to clean it inside. Only Airfree authorized dealers have the expertise and authorization to repair your Airfree.



Always keep Airfree in its vertical position as shown in the picture. The anti-stress light will start blinking if Airfree not in its vertical call, or if poor installed or with eventual malfunctioning.



In the event of a return for repair, make sure Airfree is well protected preferably inside its original box to avoid further damage. Airfree nearest dealer may be seen at [www.airfree.com](http://www.airfree.com)



Airfree shall not be placed near flammable and toxic products.

**If the supply cord is damaged, it must be replaced by the manufacturer, its service agent or similarly qualified persons in order to avoid a hazard.**

## The Invisible Enemies

Most people spend around 90% of their time indoors, at home or in the office.

The EPA – Environmental Protection Agency claims the quality of air indoors can be 100 times worse than outdoors. Some factors contribute to indoor contamination:

- High concentration of people in rooms increase fungus, bacteria and virus development, and cross contamination
- New building insulation techniques reduce outside air interchanges and consequently air conditioning running cost, but in turn drastically increase mould, and bacteria colonies
- Deficient air conditioning duct cleaning
- Concentration of organic material such as books, carpeting, curtains, and sofas.

Good air quality indoors is a must for those affected by respiratory diseases and allergies. Contaminated indoor air (fungus, airborne allergens, pollens, ozone) can trigger

- Asthma, bronchitis, rhinitis, and sinusitis
- Fungal infections in immune depressed patients
- Eye, throat and nose irritation
- Headaches, lethargy, irritability
- Cough and difficulty in concentration

Relation between microorganisms and related diseases.

Inoculums(\*) X Virulency (\*\*)

---

human Resistance

(\*) Quantity of microorganisms    (\*\*) Microorganism aggressiveness

The higher “Inoculums” and “Virulency” and or the lower “Human resistance” results in greater contamination risk to people. The main contamination causes are several types of fungus, (some of them already resistant to the most powerful chemicals and poisons), bacteria, viruses, the fine dust mite excrements and skeletons containing powerful allergens and hazardous fungus, and the seasonal pollens.

**Airfree can safely and silently destroy those allergens**

## Applications



**Healthy rooms with pure clean air** - The efficient and noiseless Airfree technology safely destroys mould spores, bacteria, viruses and other airborne organic microorganisms.



**Respiratory allergies and Asthma** - Airfree drastically reduces airborne organic allergens and ozone, providing cleaner and safer environment for allergic people. Airfree destroys mould spores, bacteria, viruses, dust mite allergens, pet dander and reduces ozone, all kept to minimum levels.



**Children and Newborns** - Studies demonstrate that reducing dust mite allergen exposure to young children will lessen the development of asthma.



**Mould and Mildew** - Airborne Mould spores that float throughout the house potentially cause allergic reactions. Those spores also start new mould colonies and expand existing ones. Airfree destroys airborne mould and mildew spores, helping to prevent new contaminations.



**Odours** - Airfree can reduce some odours like “mildew smell” and other organic odours.



**Kitchens and Pantries** - The reduction of airborne fungi and spores in areas protected by Airfree helps prevent mildew on food.





**Video, films, slides, sound and optical equipment** - The reduction of airborne spores in rooms protected by Airfree provides the best environment to store cameras, videos, pictures, slides, negatives and any device potentially affected by fungi. Quietly and safely Airfree protects your belongings and memories.



**Yatches, Cruisers** - Airfree safely eliminates fungi spores, mould, mildew, dust mites, bacteria, and strange odours. Many of which contribute to many common problems to boat owners.



**Offices, Public Buildings** - Populated rooms, corridors, and elevators offer a constant contamination risk to employees and guests. This situation is aggravated by the flow of hazardous fungi and other microbes entering through the A/C system, and the ozone generated by computers and photocopiers. The spread of airborne transmittable diseases can accelerate in this environment. Airfree is a powerful weapon in the reduction of airborne contamination by viruses, bacteria, fungi, and a myriad of allergens.



**Libraries and Museums** - The fungi spores that become mould or mildew are always present. When the temperature and moisture in the environment are suitable for germination, the spore bursts and growth begins. This growth contaminates books, clothing, documents, and works of art. Airfree destroys mould and mildew, providing a healthier environment for users and employees.



**Schools, Kindergartens** - Airborne transmittable diseases are a great concern for students, parents, teachers, and principals. Influenza, meningitis, rubeolla, and other nasty microbes flow freely in the air. The use of Airfree in classrooms demonstrates the principal's concern for their students and staff well being. It also reduce school exposure to lawsuits, like with mould-affected diseases so may common throughout the USA.



**Pollens** - Pollens are no exception and like other microorganims are totally destroyed when passing through Airfree patented sterilising core. After being destroyed the resulting harmless particles are released back to the environment.



**Ozone (O3)** - Ozone is a very toxic gas that according to EPA can damage lung tissue, cause chest pain, throat irritation and trigger asthma. The FDA, the US Food and Drug Administration, recommends not to use any equipment directly or indirectly generating ozone in Hospitals or where the patients are present. Airfree is proven to reduce ozone levels in 26%, every time air passes through its ceramic core.



**Viruses, Bacteria, Fungus and Germs** - Airfree destroys all airborne microscopic threatening microorganisms cited above including the smallest microbes like those of meningitis, pneumonia and scarlet fever, that can not be trapped in air filters or in other equipment using different technologies. Scientists confirm that virus, fungus, and bacteria molecular structure (composed by proteins), can not survive high temperatures as those seen inside Airfree patented ceramic core.



**Hospitals, Clinics and Laboratories** - Airborne contamination is quite a concern for most hospitals. With Airfree, the hospital environment becomes safer. Airfree is indispensable in waiting rooms, infirmaries, and recovery rooms due to its efficiency in destroying airborne viruses bacteria, and fungi. Airfree also reduces ozone that can affect patients with respiratory ailments. Laboratories no longer need to stop all activities for chemical air desinfection, gaining working hours.



**Restaurants** - Airfree offers continuous air sterilisation. Silently, Airfree provides the additional protection that patrons expect. All viruses and bacteria that pass through Airfree's patented sterilising ceramic core are destroyed. Restaurants are recommended to submit their floor plans to insure proper coverage inside their facilities.



**Dust Mites** - Many allergic reactions are caused by dust mites. The fine dust generated from their skeletons and excrements contain hazardous fungus and allergens that when inhaled cause allergic reactions. Those allergens and fungus are totally destroyed inside Airfree ceramic core. Fungus reduction by Airfree in the indoor environment also reduces dust mite population as they need certain types of fungus to survive.



**Hotels and Retire Homes** - The use of Airfree in guest rooms shows concern on behalf of the hotel to its guests well being. The use of Airfree can contribute to a higher occupancy rate and may provide a good line of defense in case of lawsuits. Airfree has independent tests proving its efficiency.

# Airfree and Mould

Guide for Airfree installation in mould contaminated rooms

- 1 - Install your Airfree unit in accordance with the user manual
- 2 - Allow your unit to run for at least one week to achieve significant airborne mould spore reduction.
- 3 - Clean mould infected items and surfaces, since they are a continuous source of new spores.

It is important to stress that Airfree will not destroy or remove mould from an infected item or surface. Those surfaces must be cleaned manually.

Airfree will prevent spores released by existing mould colonies from contaminating other areas, and will inhibit the growth of existing and new colonies.



Without Airfree



With Airfree

Illustration images based on Airfree Independent Test results. Results may vary depending on the room and environment conditions.

## Airfree Description

1- Top Lid with Air outlets and Anti-Stress Light

2- Side Shells

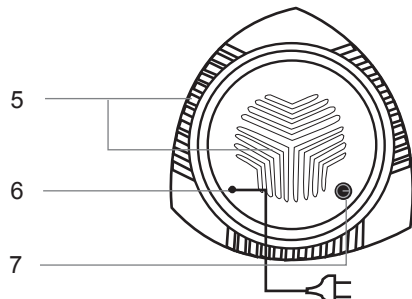
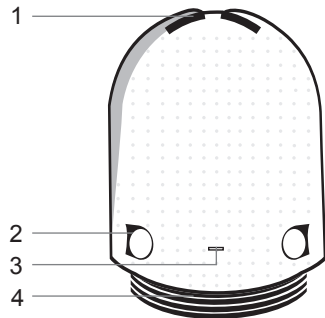
3- On/Off Led

4- Base

5- Air Inlets

6- Power Cord

7- Anti-Stress Light Dimmer



The Airfree's anti-stress light has an esthetic effect and may be relaxing. It is possible to adjust the light intensity using the dimmer at Airfree's base. The light does not intervene or has any relation with Airfree's patented sterilisation core functioning. (\*) **Anti-stress lights not available in the Airfree E40/E60/E80/E125.**

## Installing and Connecting



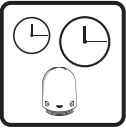
Plug power cord to the nearest outlet.  
Make sure the surface is dry (never place Airfree on wet floor or immerge in water) Make sure side blue led is on. Switch on dimmer and the anti-stress light should glow from the top lid (1). After 10 minutes the top lid should be warm.



Place Airfree on the floor. Do not install it under furniture or shelves, behind curtains as it will reduce air flow and Airfree efficiency in reducing microorganisms.



Place each Airfree® in rooms up to 16m<sup>2</sup> for E40/P40 or 24m<sup>2</sup> for E60/P60 or 32m<sup>2</sup> for E80/P80 or 50m<sup>2</sup> for E125/P125 or 60m<sup>2</sup> for P150. For larger rooms use proportionally additional Airfree® units. The use of just one Airfree ® in rooms larger than recommended will reduce Airfree® efficiency.



Airfree must be continuously on in the same room, 24 hours a day.



Airfree can only be used in rooms with minimum air volume of 330 cu. ft. (10 m<sup>3</sup>), free of obstacles.



Airfree can be installed in rooms equipped with air conditioning and heating systems. However it is recommended not to place Airfree nearby them to avoid potential interference in Airfree air flow.



Do not place Airfree in the corridor to try to reach the whole house. In this case Airfree will only reduce air pollution in the corridor area.



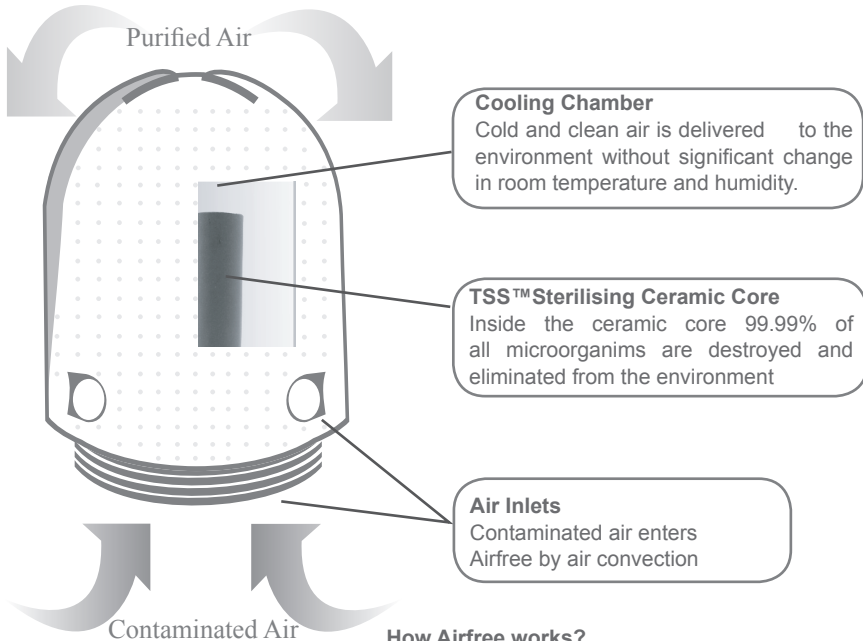
Airfree shall not be placed near doors or under windows to avoid sterilised air to exit the room.

## Technical Characteristics



Model	E40/P40	E60/P60	E80/P80	E125/P125	P150
Capacity	16m <sup>2</sup>	24m <sup>2</sup>	32m <sup>2</sup>	50m <sup>2</sup>	60m <sup>2</sup>
Electric Consumption	40W	45W	48W	50W	52W
Voltage	220V - 240V	220V - 240V	220V - 240V	220V - 240V	220V - 240V
Noise	Totally Silent	Totally Silent	Totally Silent	Totally Silent	Totally Silent
Weight	1.09 Kg	1.09 Kg	1.09 Kg	1.27 Kg	1.48 Kg
Dimensions	height: 26.5cm diameter: 21.5cm	height: 10.4cm diameter: 8.4cm	height: 10.4cm diameter: 8.4cm	height: 10.4cm diameter: 8.4cm	height: 10.4cm diameter: 8.4cm

### How does Airfree Work? Maintenance



Contaminated air silently enters Airfree by air convection and is sterilised inside Airfree patented ceramic core where all microorganisms are destroyed at high temperatures. Regardless of how hazardous a virus, fungus or bacteria might be they can not resist the powerful heat inside the ceramic core and are destroyed. The heat inside the ceramic core forces sterilised air out to the heat exchanger causing air convection, which generates negative pressure underneath the ceramic core, so contaminated air is “sucked” in at Airfree bottom air inlets in a continuous and silent thus efficient air flow.

The association of the ceramic core, special ceramic and air flow reduces at the same time toxic ozone.

## AIRFREE EFFICIENCY TESTS BY INDEPENDENT LABORATORIES, INSTITUTES AND UNIVERSITIES IN FOLLOWING COUNTRIES.

Laboratory	Local	Reduction of Microorganisms		
		Fungus	Bacteria	Dust Mite allergens DerP-1
Insect R&D Limited Cambridge, UK june, 2005	Laboratory			70,6% to 97,95%
SGS Natec Institute* Hamburgo/Germany september to november, 2000	Laboratory Office	99%	99%	
Technical Micronics Control Huntesville/USA april 28 to may 14, 1998	Laboratory	93%	78%	
Univ. Complutense de Madrid Madrid/Spain october 21, 1997	Clinical Laboratory	69%	79%	
AINIA Valença Spain june 9 to august 22, 2003	Cold Chamber	86%		
INETI* Lisbon/Portugal january 13 to february 18, 1999	Torre do Tombo Portuguese National Archive	93%	94%	
INETI* Lisbon/Portugal may 7 to june 18, 1999	RTP Video Archive	74%	70%	
INETI* Lisbon/Portugal april 3 to may 5, 1998	Bank Branch	77%		
Univ. Nova of Lisbon june 5, 1998	Laboratory	90%	62%	
Campana Laboratory/ São Paulo/Brazil april 14 to april 29, 1999	Chemical Laboratory	99%	83%	
INETI* Lisbon/Portugal november 12 to december 10, 2004	Closed Environments	98%	87%	
INETI* Lisbon/Portugal march 19 to april 30, 2001	Hotel Rooms	92%	82%	

Above and other tests can be seen at our web site [www.airfree.com](http://www.airfree.com)

\* Certified by ISO 17025

## Frequently Asked Questions

### 1. How does Airfree work?

Airfree destroys microorganisms at its heated capillaries. Contaminated air is dragged into Airfree's ceramic core by air convection and microorganisms are destroyed at high temperatures regardless of how resistant and dangerous they might be.

### 2. Are there any side effects?

No. Airfree's new technology uses heat to purify the air. No side effects, no emissions, NO IONS, nor new particles are generated. Airfree should be used in all homes and offices, quietly, constantly, and efficiently purifying the air.

### 3. My Airfree does not stop blinking. What does that mean?

Cause 1: Airfree incorporates an automatic energy-saving feature by automatically shutting off the ceramic core when it has reached a temperature range to facilitate air convection (air in the room is drawn into the machine to destroy impurities, contaminants and odours). The ceramic core shuts down for a few minutes, the indicator light turns off, and the top lights emitting diode (L.E.D.) blinks. Airfree continues to sterilise the air during this time. This indicates the conservation of electric power consumption and the preservation of the ceramic core.

Cause 2: Another contributory factor to Airfree's blinking occurrence is the ambient air (air in the environment). When the ambient air reaches 35 °C, Airfree auto-regulates itself with the ceramic core "shut off" for a few minutes but still continues with its sterilising activity (the blinking of the top lights signals this occurrence). In this process energy is conserved and Airfree's safety mechanism is enhanced.

Cause 3: Airfree incorporates state of the art electronics detecting any improper placement or device malfunctioning. If the top lights does not stop blinking, please ensure that your Airfree unit is in the upright position. If the top and bottom air inlets are free of blockage, the blinking may be due to a faulty electrical outlet. Please plug it in into a proper outlet. If in the next 10 minutes the top lights continues blinking and your Airfree unit is correctly installed, this indicates that the device may be malfunctioning. Please promptly contact your dealer in such case. (\*) **The Airfree® E40/E60/ E80/ E125 does not incorporate the Anti-stress lights.**

### 4. Is there any risk when the top light of Airfree is blinking?

No. When Airfree electronics detect any irregularity it automatically shuts off the TSS™ ceramic core  
(\*) **The Airfree® E40/E60/ E80/ E125 does not incorporate the Anti-stress lights.**

### 5. What is Airfree's air cleaning capacity?

E40/P40 was designed for rooms up to 16m<sup>2</sup>. E60/P60 for rooms up to 24m<sup>2</sup>. E80/P80 for rooms up to 32m<sup>2</sup>. E125/P125 for rooms up to 50m<sup>2</sup>. P150 for rooms up to 60m<sup>2</sup>.

### 6. Can I install Airfree in my walking closet ?

Yes, as long as it has at least 330cu.ft (10m<sup>3</sup>)\*. Airfree should not be placed under shelves or its efficiency will be reduced.

\* as reference 330cu.ft (10m<sup>3</sup>) is approximately 7'x7'

### 7. Can I use Airfree in air conditioned rooms?

Yes.

### 8. How do I know if Airfree is no longer working?

Check the top lid, if warm Airfree is working.

### 9. Can I place Airfree at the corridor to reach the whole house?

No. Airfree will just reduce air pollution in the corridor's area.

### 10. Can I place Airfree in a closed room?

Yes. Please remember such a room must have at least 330cu.ft (10m<sup>3</sup>)\*. \* **330cu.ft is approximately 7'x7'**

### 11. Does Airfree eliminate bacteria and viruses?

Yes. Unlike the air filters in the market Airfree is more efficient with the smallest microorganisms as they are easily carried by Airfree's airflow into its heated ceramic core.

**12. Can I change Airfree from one room to another?**

Airfree must always be plugged in the same room 24 hours a day. Airfree's patented technology works gradually and cannot have its cycle interrupted. Moving it from one room to another will interrupt the cycle and will recontaminate the room. See question 13 below.

**13. Should I turn off Airfree when I leave house?**

No. Airfree must always be on.

**14. What happens if Airfree is disconnected or there was a black out?**

Airfree will take approximately the same time to recover the previous reduced contamination level.

**15. Does CADR measure the effectiveness of the Airfree?**

Not at all. CADR is not designed to test the Airfree technology. The AHAM seal (usually found on the back of an air cleaner's box) lists three Clean Air Delivery Rate (CADR) numbers: one for tobacco smoke, one for pollen and one for dust. The CADR indicates volume of filtered air delivered by an air cleaner. The higher the tobacco smoke, pollen and dust numbers, the faster the unit filters the air. The main reason why CADR is not designed for Airfree is because Airfree does not filter but destroys microorganisms instead, CADR only applies to volume of filtered air delivered by an air cleaner as stated above. CADR does not measure microorganism reduction like mould and bacteria only detectable by a microbiology lab. Airfree destroys (not trap or attract to other surface) any microorganism regardless of how small they might be. 99,99% of all organic particles are fully destroyed when passing through the Airfree U.S. patented ceramic core.

**16. How does Airfree destroy dust mites?**

Mould reduction in the environment causes reduction in the mould dependant dust mite population. Airfree also destroys the harmful toxins and fungus freed by dust mite feces that trigger respiratory allergies.

**17. How does Airfree eliminate fungi?**

As mentioned before, Airfree eliminates airborne microorganisms included fungi and spores. By eliminating spores new colonies are unlikely to develop, representing less future airborne spores.

**18. How does Airfree destroy viruses?**

Those microscopic microorganisms are easily eliminated inside Airfree's ceramic core capillaries. The temperature inside of Airfree's capillaries is much higher than required to destroy them. Airfree is your greatest ally in respiratory disease prevention.

**19. Does Airfree reduce tobacco smell?**

Yes, Airfree reduces any kind of organic smell in the ambience including tobacco.

**20. Does Airfree release any gas or chemical product?**

No. Airfree's sterilisation process is natural. Please check our website for conclusive tests regarding particles and ozone.

**21. Does Airfree heat up a room?**

No. Airfree does not noticeable increase room temperature. To have an idea 2 Airfree's plugged in the same room will contribute as much heat as the presence of one adult in that same room.

**22. Does Airfree provoke any change in room's the relative humidity?**

No.

**23. Does Airfree need filter replacement?**

No.

**24. Does Airfree consume a lot of energy?**

No. Airfree's consumption is just 40 Watts for E40/P40, 45 Watts for E60/P60, 48 Watts for E80/P80, 50 Watts for E125/P125 and 52 Watts for P150.

### **25 - Does Airfree anti-stress light interfere with Airfree sterilising function?**

No. The anti-stress light has an esthetic effect may be relaxing or simply used as a night light in children or newborn bedrooms. According to chromo therapy the blue light has calming and relaxing effect.

### **26 - Where do the microorganisms go after they are destroyed?**

As all living organisms, microorganisms and their products are basically composed by carbon, oxygen and nitrogen. Since Airfree reaches nearly 200°C, all the components are supposed to suffer a combustion process, which liberates carbone dioxide (the same product released by our respiration) and water. Some carbon (or ashes) may remain in the process. If there is some residual allergen left, we might consider that they suffer denaturation, a process involving lost of conformation and function.

It should be noted that we are talking about reactions that occur in a microscopic level, so all these processes or by-products won't be perceived. In this case, there is no need to worry about maintenance.

## Warranty

This product is warranted by AIRFREE® PRODUCTS, to the original purchaser to be free from defects in material and workmanship under proper use for a period of two years from date of purchase. During this period, and upon proof of purchase and date of purchase, this product will be repaired or replaced with same or similar model without charges for parts or labor (except for a €10 charge for insurance and handling) at distributor address. To be eligible for the warranty, please register at [www.airfree.com](http://www.airfree.com) or complete your warranty card at the time of purchase and mail it to the distributor. To obtain warranty service, please send the product sales receipt or proof of Purchase, and a check or money order for €10 payable to the distributor. This warranty does not apply to a product that has been misused, abused, or altered without limiting the afore-mentioned, bending or dropping the unit, defects in the electrical installation or fluctuating power levels are presumed to be defects resulting from misuse or abuse.

AIRFREE® PRODUCTS and its affiliates or wholesalers do not make any specific claim as to medicinal uses of this product nor does the manufacturer warrant that the equipment prevents some kind of diseases. NEITHER THIS WARRANTY NOR ANY WARRANTY, EXPRESSED OR IMPLIED, INCLUDING IMPLIED WARRANTIES OR MERCHANTABILITY, SHALL EXTEND BEYOND THE WARRANTY PERIOD. NO RESPONSIBILITY IS ASSUMED FOR ANY INCIDENTAL OR CONSEQUENTIAL DAMAGES, INCLUDING WITHOUT LIMITATION DAMAGES, SOME STATES DO NOT ALLOW LIMITATION ON HOW LONG AN IMPLIED WARRANTY LASTS; SOME STATES DO NOT ALLOW THE EXCLUSION OR LIMITATION OF INCIDENTAL OR CONSEQUENTIAL DAMAGES, SO THE ABOVE LIMITATIONS OR EXCLUSIONS MAY NOT APPLY TO YOU.

AIRFREE® PRODUCTS HEREBY SPECIFICALLY DISCLAIMS ALL EXPRESSED WARRANTIES NOT OTHERWISE SET FORTH HEREIN AND ANY IMPLIED WARRANTIES OR MERCHANTABILITY OR IMPLIED WARRANTIES FOR FITNESS FOR A PARTICULAR PURPOSE. THERE ARE NO WARRANTIES WHICH EXTEND BEYOND THE DESCRIPTION OF THE FACE HEREOF. This warranty gives you specific legal rights; you may have other rights, which vary from state to state, and country to country.

\* AIRFREE® PRODUCTS, Rua Mouzinho da Silveira N°27 - 5A - 1250-166, Lisbon Portugal  
- Tel.:351 - 213 156 222  
- Fax: 351 - 213 516 228  
- Web: [www.airfree.com](http://www.airfree.com)  
- Mail: [info@airfree.com](mailto:info@airfree.com)





Dieses Gerät ist nicht bestimmt für Personen (einschließlich Kinder) mit verringerten körperlichen, sensorischen oder Geistesfähigkeiten, oder mit Mangel an Erfahrung und Wissen, es sei denn sie werden beaufsichtigt oder ihnen wurden Anweisungen hinsichtlich des Gerätegebrauches von einer Person erteilt, die fuer deren Sicherheit zuständig ist.



Wie alle elektrischen Geräte sollte der Airfree® niemals von Kindern gehandhabt werden.



Bevor Sie den Airfree® anschließen, schütteln Sie das Gerät, um sicherzustellen, daß sich während des Transports keine Teile in seinem Inneren gelöst haben. Sollten Sie lose Teile bemerken, senden Sie die Einheit bitte zurück an den Händler.



Bringen Sie den Airfree® niemals in direkten Kontakt mit Wasser oder anderen Flüssigkeiten, da dies zu elektrischen Schlägen und Beschädigungen an der Einheit führt.



Blockieren Sie die Abzüge des Airfree® niemals mit Gegenständen wie Handtüchern, Kleidung oder Vorhängen, da dies zu Überhitzung und irreparablen Schäden an der Einheit führt.



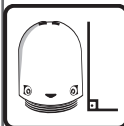
Versuchen Sie nicht, den Airfree® zu öffnen oder seine internen Komponenten zu berühren; führen Sie keinerlei Gegenstände ein, da dies einen Stromschlag hervorrufft. Jeder Versuch, den Airfree® zu öffnen oder zu verändern macht diese Garantie nichtig.



Zur Reinigung ziehen Sie den Stecker aus der Steckdose und wischen Sie die Oberfläche mit einem trockenem Tuch. Versuchen Sie nicht, den Airfree® zur Innenreinigung zu öffnen. Nur autorisierte Airfree®-Händler verfügen über die Fachkenntnisse und die Befugnis, Ihren Airfree® zu reparieren.



Bitte auf Kinder achten, um sicherzustellen, dass mit dem Gerät nicht gespielt wird.



Bitte stellen Sie den Airfree® immer senkrecht auf (wie abgebildet). Versuchen Sie nicht, ihn seitlich geneigt oder unter Möbel zu stellen, oder die Lufteinzugsschlitze und Luftabzüge zu verdecken, so dass die Luft nicht ungehindert ins Gerät ein- und aus dem Gerät ausströmen kann. Sollte einer der genannten Fälle eintreten, so wird der TSS™ Keramikern ausgeschaltet, weil das Gerät unter solchen Bedingungen nicht richtig funktionieren kann. Nach ca. einer Minute wird das Anti-Stress-Licht (ausschliesslich in den Modellen P40, P60, P80, P125 und P150) zu blinken beginnen, um Sie auf die unsachgemäße Aufstellung oder evtl. auf eine Funktionsstörung des Gerätes aufmerksam zu machen. Einige Sekunden nachdem das Gerät in die richtige Position gebracht wurde, wird das Anti-Stress-Licht aufhören zu blinken.



Stellen Sie den Airfree® nicht in der Nähe von entzündlichen und giftigen Produkten auf.



Wenn Sie den Airfree® zur Reparatur einschicken, stellen Sie sicher, daß das Gerät gut geschützt ist, vorzugsweise in der Originalverpackung, um weitere Schäden zu vermeiden. Den nächstgelegenen Airfree®-Händler finden Sie unter [www.airfree.com](http://www.airfree.com).

**Sollte der Stromkabel beschädigt sein, so muss er vom Hersteller, seinem Dienstleister oder ähnlich qualifiziertem Personal ersetzt werden, um Gefahren vorzubeugen.**

## Die unsichtbaren Feinde

Die Mehrheit der Menschen verbringt um die 90% ihrer Zeit entweder zuhause oder bei der Arbeit in geschlossenen Räumen. Laut der amerikanischen Umweltschutzbehörde EPA (Environmental Protection Agency) kann die Luftverschmutzung in Innenräumen eine bis zu 100 Mal stärkere Belastung für den menschlichen Organismus darstellen. Folgende Faktoren tragen zur Raumluftverschmutzung bei:

- Eine hohe Ansammlung von Menschen in Räumen erhöht die Entstehung von Pilzen, Bakterien und Viren sowie Kreuzkontamination.
  - Neue Gebäudeinsolierungsarten reduzieren den Luftaustausch zwischen innen und außen und somit auch die Klimaanlagekosten, wobei wiederum Schimmelpilz- und Bakterienkolonien drastisch erhöht werden.
  - Mangelhafte Düsenreinigung der Klimaanlage
  - Konzentration von organischen Materialien wie Büchern, Teppichböden, Vorhängen und Sofas.
- Gute Luftqualität ist ein Muss für diejenigen, die unter Atemwegkrankungen und Allergien leiden. Kontaminierte Luft (Pilze, Allergene in der Luft, Pollen und Ozon) in Innenräumen können folgende Beschwerden hervorrufen:
- Asthma, Bronchitis, Rhinitis und Nebenhöhlenentzündung
  - Pilzinfektionen bei Patienten mit angeschlagenem Immunsystem
  - Gereizte Augen, Hals und Nase
  - Kopfschmerzen, Energielosigkeit, Reizbarkeit
  - Husten und Konzentrationsschwierigkeit

Verhältnis zwischen Mikroorganismen und entsprechenden Erkrankungen.

Inokulum (\*) X Giftigkeit (\*\*)

### Menschlicher Widerstand

(\*) Anzahl von Mikroorganismen (\*\*) Aggressivität der Mikroorganismen

Je höher die Anzahl der "Inokulum" und "Giftigkeit" und/oder je niedriger der "menschliche Widerstand", umso höher ist das Kontaminierungsrisiko für Menschen. Die hauptsächlichsten Kontaminierungsursachen sind mehrere Pilzarten wie Bakterien, Viren, Hausstaubmilbenexkremente und Skelette, die kraftvolle Allergene und schädliche Pilze sowie saisonabhängige Pollen enthalten. Mehrere dieser Fremdstoffe sind bereits widerstandsfähig gegen die stärksten Chemikalien und Gifte.

**Airfree® zerstört sicher und leise solche Allergene.**

## Anwendungsbereiche



**Gesundes Raumklima mit frischer, sauberer Luft**-Die lautlose und effiziente Technologie von Airfree® reinigt konstant die Luft und beseitigt die wachsende Raumluftverschmutzung in Häusern, Büroräumen, Bibliotheken, Museen, öffentlichen Gebäuden, Schulen, Kindergärten, Nahrungsmittelindustrien, militärischen Einrichtungen und überall dort, wo saubere Raumluft unabdingbar ist.



**Allergiker und Asthmatiker**-Durch die drastische Reduzierung von Allergenen in der Luft sorgt Airfree® für ein saubereres Umfeld für Allergiker. Schimmelpilze, Bakterien, Kot und Überreste von Hausstaubmilben sowie Ozonwerte werden auf ein minimales Maß reduziert.



**Babys**-Studien bezeugen, dass Kleinkinder weniger anfällig für Asthma sind, wenn sie Hausstaubmilben in geringerem Maße ausgesetzt sind.



**Schimmelpilze / Moder**-Schimmelpilze und Moder hinterlassen Pilzsporen in der Luft, die durch das ganze Haus zirkulieren und schwere allergische Reaktionen wie tränende Augen, Niesanfälle, eine laufende und verstopfte Nase und Müdigkeit verursachen können. Zudem bilden diese Sporen neue Schimmelpilzkolonien oder vergrößern die bereits existierenden Kolonien. Airfree® zerstört Sporen von Schimmelpilzen und Moder in der Luft und trägt somit dazu bei, ein erneutes Auftreten von Verschmutzungen zu verhindern.



**Gerüche**-Organische Gerüche werden von Airfree® drastisch reduziert oder gar beseitigt.



**Küchen und Vorratskammern**-Die Reduzierung von Pilzen und Sporen in der von Airfree® geschützten Luft verhindert Schimmelbildung auf Käse, Brot, Früchten und anderen Lebensmitteln.



**Videos, Filme, Dias, akustische und optische Geräte**-Die Abwesenheit von Pilzen und Sporen in der durch Airfree® gereinigten Raumluft schafft ein optimales Umfeld für die Lagerung von Kameras, Vi-deos, Bildmaterial, Dias, Negativen und allen anderen Geräten, denen Pilze gefährlich werden können. Airfree® schützt Ihre persönlichen Gegenstände und Erinnerungen zuverlässig und geräuschlos.



**Boote und Schiffe**-Airfree® beseitigt zuverlässig Pilzsporen, Schimmel, Moder, Staubmilben, Bakterien und strenge Gerüche - einige der typischen Probleme von Bootsbesitzern.



**Büroräume und öffentliche Gebäude**-Räume, Gänge und Fahrstühle, in denen sich häufig viele Menschen befinden, stellen ein ständiges Ansteckungsrisiko für Angestellte und Besucher dar. Diese Situation wird durch in der Luft befindliche schädliche Pilze, andere Mikroben, die durch die Klimaanlage eintreten, sowie durch das Ozon, das durch Computer und Kopiergeräte erzeugt wird noch verschärft. Solch ein Umfeld kann die Verbreitung von Krankheiten, die durch die Atemluft übertragen werden, noch beschleunigen. Airfree® bekämpft kraftvoll die Luftverschmutzung durch Viren, Bakterien, Pilze, Ozon und unzählige Allergene.



**Bibliotheken und Museen**-Pilzsporen, aus denen Schimmel oder Moder entsteht, sind überall. Wenn Raumtemperatur und Luftfeuchtigkeit die Keimbildung begünstigen, wachsen und gedeihen die Sporen explosionsartig. Diese Sporen können Bü-cher, Kleidungsstücke, Dokumente und Kunstwerke befallen. Airfree® zerstört Schimmel und Moder und sorgt damit für ein gesünderes Umfeld für Benutzer und Angestellte.



**Schulen und Kindergärten**-Krankheiten, die durch die Atemluft übertragen werden, stellen eine große Belastung für Schüler, Eltern, Lehrkräfte und Schulleitung dar. Die Erreger der Virusgrippe, der Gehirnhautentzündung und der Röteln sowie andere unangenehme Mikroben schweben frei in der Luft herum. Die Verwen-dung von Airfree® in den Klassenzimmern zeigt, dass das Wohlbefinden von Schülern und Lehrkräften ein großes Anliegen der Schulleitung ist. Außerdem sinkt das Risiko, daß die Schule in einen Rechtsstreit verwickelt wird, wie dies in den Vereinigten Staaten aufgrund von Krankheiten, die durch Schimmelpilze verursacht wurden, bereits häufig der Fall ist.



**Pollens**-Pollen sind keine Ausnahme und werden genauso wie die anderen Mikroorganismen beim Durchlauf durch den patentierten Sterilisierungskern zerstört. Nach Zerstörung werden die entstehenden harmlosen Partikel zurück in die Luft verworfen.



**Ozon**-Ozon ist ein giftiges Gas, welches das Lungengewebe schädigt, Brustschmerzen, Atemnot und Halsreizungen hervorruft und sogar Asthma auslösen kann. Airfree® reduziert erwiesenermaßen die Ozonwerte im Raum.



**Viren und Bakterien**-Viren und Bakterien werden bereits bei Temperaturen zerstört, die weit unter der Betriebstemperatur des Airfree® - Keramikkerns von etwa 200°C liegen. Auch die tödlichsten und kleinsten Mikroben, wie die Erreger von Gehirnhautentzündungen, Lungenentzündungen und Scharlach, werden beseitigt. All diese gesundheitsgefährdenden Organismen in der Luft werden durch den Airfree® eliminiert.



**Krankenhäuser, Kliniken und Labors**-Für die meisten Krankenhäuser ist Luftverschmutzung ein sehr wichtiges Thema. Mit dem Gebrauch von Airfree® wird das Krankenhausumfeld sicherer. Durch die effiziente Zerstörung von Viren, Bakterien und Pilzen in der Luft ist Airfree® unabkömmlich in Wartezimmern, Behandlungsräumen und Wachstationen. Zusätzlich reduziert Airfree® den Ozongehalt der Luft, der bei Patienten mit Atemwegsbeschwerden zu Beeinträchtigungen führen kann. Labors müssen die Luft nicht mehr chemisch reinigen lassen und während dieser Zeit sämtliche anderen Aktivitäten unterbrechen. Durch diese Zeitersparnis wird ein ganzer Arbeitstag pro Woche gewonnen.



**Restaurants**-Airfree® sterilisiert kontinuierlich die Luft und bietet somit ganz zusätz-lichen Schutz für die Gäste. Alle Viren und Bakterien, die den patentierten sterilisierenden Keramikkern des Airfree® passieren, werden zerstört. Restaurantinhabern wird empfohlen, uns ihren Grundriß zur Analyse ein-zureichen, um einen flächendeckenden Schutz aller Innenräume zu garantieren.



**Hausstaubmilben**-Durch die Reduzierung von Schimmelpilzen in der Luft werden auch die Staubmilbenpopulationen reduziert, da diese Schimmelpilze zum Leben brauchen. Airfree® zerstört außerdem den Kot und die Überreste der Staubmilben. Diese Partikelchen sind potentielle Auslöser allergischer Reaktionen und asthmatischer Anfälle.



**Hotels und Seniorenheime**-Der Gebrauch des Airfree® kann zu einer höheren Belegungsrate beitragen und bietet zudem eine gute Grundlage im Falle eines Rechtsstreits. Die Wirksamkeit von Airfree® wurde in unabhängigen Tests bestätigt.

## Airfree® und Schimmel

Anleitung zur Installation von Airfree® in von Schimmel befallenen Räumen:

- 1- Installieren Sie Ihren Airfree® gemäß der Anweisungen der Betriebsanleitung.
- 2- Lassen Sie Ihr Gerät mindestens eine Woche lang laufen, um die Schimmelsporen in der Luft maßgeblich zu reduzieren.
- 3- Reinigen Sie infizierte Gegenstände und Oberflächen, da diese eine unablässige Quelle neuer Sporen sind.

Es wird darauf hingewiesen, dass Airfree® nicht den Schimmel auf infizierten Gegenständen oder Oberflächen zerstört oder entfernt. Diese Oberflächen müssen manuell gereinigt werden.

Airfree® verhindert die Verbreitung der Sporen bestehender Schimmelkolonien auf andere Gebiete und hemmt zugleich das Wachstum der bestehenden Kolonien.

### Schimmelsporen in der Luft eines durchschnittlichen Schlafzimmers



Ohne Airfree®-Schutz



Mit Airfree®-Schutz

Die Illustrationen basieren auf unabhängigen Airfree®-Testergebnissen. Die Ergebnisse können je nach Raum und Umweltbedingungen unterschiedlich sein.

### Eigenschaften des Airfree®

1- Obere Abdeckung mit Luftabzügen und Anti-Stress-Licht (\*)

2- Seitenschalen

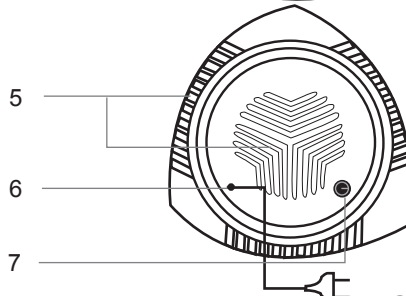
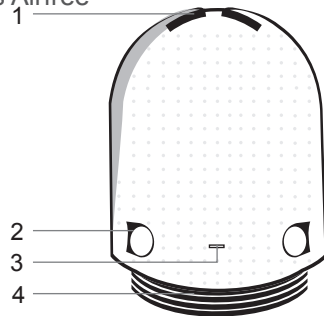
3- Ein/Aus LED-Anzeige

4- Unterteil

5- Lufteinzugsschlitzen

6- Stromkabel

7- Dimmer für Anti-Stress-Licht (\*)



Das Anti-Stress-Licht (ausschliesslich in den Modellen P60, P80, P125 und P150) von Airfree® hat einen ästhetischen Effekt und kann beruhigend wirken. Die Lichtintensität kann mithilfe des Dimmers am Fuss des Airfree® reguliert werden. Das Licht ist nicht störend und funktioniert unabhängig vom Betrieb des patentierten Sterilisierungskerns. (\*) Im Airfree® E40/E60/E80/E125 ist kein Anti-Stress-Licht vorhanden.

## Installation und Anschluß des Airfree®



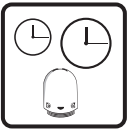
Verbinden Sie das Stromkabel mit der nächstgelegenen Steckdose. Stellen Sie sicher, daß die Oberfläche trocken ist (der Airfree® soll nie auf nassem Fußboden aufgestellt oder in Wasser eingetaucht werden). Vergewissern Sie sich, daß die blaue Leuchtdiode an der Seite leuchtet. Wenn Sie den Dimmer einschalten, sollte das Anti-Stress-Licht (ausschliesslich in den Modellen P60, P80, P125, und P150) auf der oberen Abdeckung leuchten. Nach 10 Minuten sollte die obere Abdeckung warm werden.



Installieren Sie den Airfree® nicht über oder unter Möbelstücken, da sonst der Luftdurchzug unterbrochen wird und dies die Leistungsfähigkeit des Airfree® einschränkt.



Platzieren Sie den Airfree® in Räumen von Größen bis zu 60 m<sup>2</sup> für den P150, in Räumen von Größen bis zu 50 m<sup>2</sup> für den P125/E125, in Räumen von Größen bis zu 32 m<sup>2</sup> für den P80/E80, in Räumen von Größen bis zu 24 m<sup>2</sup> für den P60/E60, in Räumen von Größen bis zu 16 m<sup>2</sup> für den P40/E40. Für größere Räume empfehlen wir, den Proportionen angemessen weitere Airfree®-Einheiten zu verwenden. Die Verwendung eines einzigen Airfree® in Räumen, die die empfohlene Größe überschreiten, vermindert die Wirksamkeit des Airfree®.



Ihr Airfree®-Gerät muss 24 Stunden am Tag im selben Raum in Betrieb sein.



Airfree® sollte nicht in Schränken oder Vorratskammern aufgestellt werden, die kleiner als 11m<sup>3</sup> sind, um dort einen Temperaturanstieg zu vermeiden. Stellen Sie den Airfree® auch nicht unter Regale, damit seine luftsterilisierende Leistungsfähigkeit nicht eingeschränkt wird.



Airfree® kann auch in Räumen mit Klimaanlage und Zentralheizung so-wie in Räumen mit tragbaren Heizgeräten installiert werden. Der Airfree® sollte jedoch nicht zu nah an Geräte gestellt werden, die seine Luftströmung beeinträchtigen könnten.



Stellen Sie Airfree® nicht in den Flur, um das gesamte Haus schützen zu versuchen. In diesem Falle reduziert Airfree® nur die Luftverschmutzung im Flurbereich.



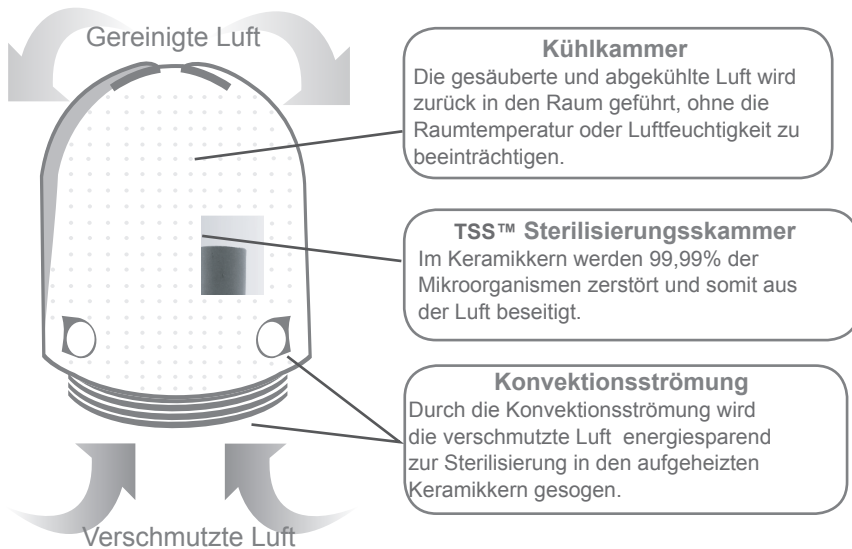
Es ist nicht notwendig, die Räume vollkommen geschlossen zu halten. Die Leistungsfähigkeit des Airfree® wird durch das Öffnen und Schließen von Türen und Fenstern nicht beeinträchtigt. Das Airfree®-Gerät sollte jedoch nicht direkt neben einer Tür oder einem Fenster platziert werden, da die sterilisierte Luft sonst aus dem Raum entweichen kann.

## Technische Spezifikationen



Model	E40/P40	E60/P60	E80/P80	E125/P125	P150
Kapazität	16m <sup>2</sup>	24m <sup>2</sup>	32m <sup>2</sup>	50m <sup>2</sup>	60m <sup>2</sup>
Stromverbrauch	40W	45W	48W	50W	52W
Elektrische Spannung	220-240V	220-240V	220-240V	220-240V	220-240V
Geräuschpegel	Totally Silent	Totally Silent	Totally Silent	Totally Silent	Totally Silent
Gewicht	1.09 Kg	1.09 Kg	1.09 Kg	1.27 Kg	1.48 Kg
Maßangaben	Höhe:26.5cm Ø: 21.5cm	Höhe:10.4cm Ø: 8.4cm	Höhe:10.4cm Ø: 8.4cm	Höhe:10.4cm Ø: 8.4cm	Höhe:10.4cm Ø: 8.4cm

## Bedienung & Wartung



### Bedienung

Verschmutzte Luft wird im Inneren des patentierten Keramikern des Airfree® sterilisiert. Im Keramikern werden Dutzende von Kapillaren auf eine Temperatur von etwa 200°C erhitzt. Mikroorganismen in der Luft werden zerstört (verbrannt), wenn sie den erhitzten Keramikern des Airfree® durchlaufen, egal wie gefährlich oder chemikalienresistent sie sind.

Wenn die sterilisierte Luft aus dem Airfree® strömt, kommt es zur Konvektion. Dieses Phänomen tritt ein, wenn die sterilisierte Luft beim Ausströmen aus den Kapillaren negativen Druck am Eingang des Gerätes aufbaut. So entsteht ein ständiger Kreislauf, in welchem verschmutzte Luft in den Keramikern gesaugt wird, um dort sterilisiert zu werden.

## Airfree® - Leistungstests von unabhängigen Laboren, Instituten und Universitäten der folgenden Länder:

Labor	Local	Reduzierung von Mikroorganismen		
		Pilze	Bakterien	DerP-1
Insect R&D Limited Cambridge, UK june, 2005	Labor			70,6% to 97,95%
SGS Natec Institute* Hamburgo/Germany september to november, 2000	Labor-Büro	99%	99%	
Technical Micronics Control Huntesville/USA april 28 to may 14, 1998	Labor	93%	78%	
Univ. Complutense de Madrid Madrid/Spain october 21, 1997	Klinischen Labor	69%	79%	
AINIA Valença Spain june 9 to august 22, 2003	Kältekammer	86%		
INETI* Lisbon/Portugal january 13 to february 18, 1999	Torre do Tombo Portuguese National Archive	93%	94%	
INETI* Lisbon/Portugal may 7 to june 18, 1999	RTP Video-Archiv	74%	70%	
INETI* Lisbon/Portugal april 3 to may 5, 1998	Bankfiliale	77%		
Univ. Nova of Lisbon june 5, 1998	Labor	90%	62%	
Campana Laboratory/ São Paulo/Brazil april 14 to april 29, 1999	Chemielaboranten	99%	83%	
INETI* Lisbon/Portugal november 12 to december 10, 2004	Geschlossenen Räumen	98%	87%	
INETI* Lisbon/Portugal march 19 to april 30, 2001	Hotelzimmer	92%	82%	

Auf die oben stehenden und weitere Testergebnisse kann auf unserer Website [www.airfree.com](http://www.airfree.com) zugegriffen werden.

## Häufig gestellte Fragen

### 1. Wie arbeitet Airfree®?

Der Airfree® zerstört Mikroorganismen in seinen erhitzten Kapillaren. Verschmutzte Luft wird durch Konvektion in den Keramikern des Airfree® gesaugt und alle Mikroorganismen, egal wie resistent oder gefährlich, werden bei hohen Temperaturen zerstört.

### 2. Gibt es Nebenwirkungen?

Nein. Die neue Technologie des Airfree® arbeitet mit Hitze, um die Raumluft zu optimieren. Es entstehen keine Nebenwirkungen, keine Emissionen, KEINE IONEN oder neuen Partikel. Airfree® sollte in allen Häusern und Büroräumen verwendet werden und wird somit lautlos, konstant und gründlich die Luft reinigen.

### 3. Das Anti-Stress-Licht meines Airfree® P40 / P60 / P80 / P125 / P150 blinkt ständig, was bedeutet das? (\*)

1e Ursache: Das Airfree®-Gerät beinhaltet eine automatische Energiesparfunktion und schaltet den keramischen Kern automatisch ab, sobald es die Temperaturhöhe erreicht, so dass der Luftstrom stattfindet (die Raumlufte wird in das Gerät gesogen, um Unreinheiten, Fremdstoffe und Gerüche zu vernichten). Der Keramische Kern schaltet sich für einige Minuten ab, die Anzeigeleuchte erlischt und die obere Leuchte (LED) blinkt. Das Airfree®-Gerät setzt die Luftsterilisierung fort während dieser Zeit. Somit wird der elektrische Stromverbrauch konserviert und der keramische Kern nicht abgenutzt.

2e Ursache: Ein weiterer beiträgender Grund, dass der Airfree® blinkt, kann die Umgebungsluft sein. Sobald die Umgebungsluft 35 °C erreicht, reguliert sich das Airfree®-Gerät automatisch und schaltet den keramischen Kern für einige Minuten ab, wobei es den Sterilisiervorgang fortsetzt (dies kann durch das Blinken der oberen Leuchte beobachtet werden). Während dieses Prozesses wird Strom konserviert und der Sicherheitsmechanismus des Airfree® verbessert.

3e Ursache: Das Airfree®-Gerät beinhaltet modernste Elektronik, die jedwede unsachgemäße Platzierung oder Fehlfunktion des Gerätes erkennt. Wenn die obere Leuchte nicht aufhört zu blinken, stellen Sie sicher, dass das Airfree®-Gerät sich in aufrechter Position befindet. Falls die oberen und unteren Luftzüge nicht blockiert sind, kann das Blinken auf eine fehlerhafte Steckdose zurückzuführen sein. Stecken Sie es in eine funktionierende Steckdose ein. Sofern die obere Leuchte in den folgenden 10 Minuten wieder losleuchtet und Ihr Airfree®-Gerät richtig installiert ist, deutet dies auf ein fehlerhaftes Gerät. Setzen Sie sich mit Ihrem Händler schnellstmöglich in Verbindung. (\*) Im Airfree® E40/E60/E80/E125 ist kein Anti-Stress-Licht vorhanden.

### 4. Bestehen etwaige Risiken, wenn das Licht an der Oberseite des Gerätes (Anti-Stress-Licht) blinkt? (\*)

Nein. Wenn die Elektronik des Gerätes irgendeine Unregelmäßigkeit detektiert, wird der TSS™ Keramikern automatisch abgeschaltet. (\*) Im Airfree® E40/E60/E80/E125 ist kein Anti-Stress-Licht vorhanden.

### 5. Wie hoch ist die Luftreinigungskapazität des Airfree®?

Der Airfree® P150 ist konzipiert für Räume mit einer Größe von bis zu 60 m². Der P125/E125 für Räume mit einer Größe von bis zu 50 m². Der P80/E80 für Räume mit einer Größe von bis zu 32 m². Der P60/E60 für Räume mit einer Größe von bis zu 24 m². P40/E40 für Räume mit einer Größe von bis zu 16 m².

### 6. Kann ich das Airfree® Gerät auch im Schrank aufstellen?

Ja, solange er mindestens 11m³ groß ist. Airfree® sollte allerdings nicht unter ein Regal gestellt werden, um seine Leistungsfähigkeit nicht einzuschränken.

### 7. Kann das Airfree® Gerät in Räumen mit Klimaanlage verwendet werden?

Ja.

### 8. Woran erkenne ich, dass mein Airfree® nicht funktioniert?

Solange die obere Abdeckung warm ist, arbeitet der Airfree® ordnungsgemäß.

### 9. Kann das Airfree® Gerät im Flur aufgestellt werden, um das gesamte Haus zu schützen?

Nein, Airfree® reduziert sonst nur die Luftverschmutzung im Flurbereich.

### 10. Kann das Airfree® Gerät in geschlossenen Räumen installiert werden? Ja. Die empfohlene Mindestgröße liegt bei 11m³.



**11. Eliminiert der Airfree® Bakterien und Viren?**

Ja, sogar kleinste Mikroorganismen werden effektiv zerstört, da sie durch den Luftstrom des Airfree® problemlos in seinen aufgeheizten Keramikern transportiert werden. Darin liegt der große Unterschied zwischen Airfree® und anderen Luftfiltern auf dem Markt.

**12. Kann ich einen Airfree® an unterschiedlichen Orten aufstellen?**

Nein, der Airfree® muss 24 Stunden am Tag immer im gleichen Raum angeschlossen bleiben. Die patentierte Technologie funktioniert sukzessiv, und der Kreislauf darf nicht unterbrochen werden. Wenn der Airfree® in verschiedenen Räumen aufgestellt wird, wird der Kreislauf unterbrochen.

**13. Muss ich den Airfree® ausschalten, wenn ich die Wohnung verlasse?**

Nein, der Airfree® sollte immer in Betrieb sein.

**14. Was passiert, wenn Airfree® ausgesteckt wird, oder wenn es einen Strom-ausfall gibt?**

Der Airfree® benötigt in etwa den gleichen Zeitraum, um den Grad der Luftreinheit vor Unterbrechung der Energiezufuhr wiederherzustellen.

**15. Gibt der CADR-Wert die Wirksamkeit des Airfree® an?**

Keineswegs. CADR wird nicht dazu verwendet, die Airfree®-Technologie zu testen. Der Airfree® benötigt im Vergleich zu anderen Luftreinigern auf dem Markt eine schwache Luftströmung. Die neue Airfree®-Technologie ist zu 99,99% wirksam und vor allem geräuschlos. Airfree® fängt Partikel nicht ein oder schleust sie zu anderen Oberflächen, sondern zerstört alle Mikroorganismen, egal, wie klein sie sind. 99,99% aller organischen Teilchen (Viren, Bakterien, Schimmel, Sporen, Allergene, Mikroorganismen) werden komplett zerstört, wenn sie den patentierten Keramikern des Airfree® passieren. Die hohe Wirksamkeit des Airfree® wurde von verschiedenen unabhängigen Labors und Universitäten bestätigt. Diese unabhängigen Test wurden in normaler, alltäglicher Umgebung durchgeführt. In den getesteten Räumen wurden durchschnittlich 80% weniger Schimmel und Mikroorganismen in der Luft festgestellt.

**16. Wie werden Hausstaubmilben von Airfree® zerstört?**

Die Reduzierung von Schimmelpilzen in der Luft führt zu einer Reduzierung der Staubmilbenpopulationen, die sich von Schimmelpilzen ernähren. Airfree® zerstört außerdem die schädlichen Giftstoffe und Pilze aus dem Kot von Hausstaubmilben, die Atemwegsallergien auslösen können.

**17. Wie werden Pilze von Airfree® eliminiert?**

Wie bereits erwähnt, eliminiert Airfree® alle Mikroorganismen in der Luft, einschließlich Pilze und Sporen. Indem Sporen eliminiert werden, wird die Bildung neuer Kolonien verhindert. Dadurch gibt es weniger Pilze und Sporen in der Luft. Nach und nach werden die Pilzkolonien auf ein Minimum reduziert.

**18. Wie zerstört der Airfree® Viren?**

Diese mikroskopisch kleinen Organismen werden ganz einfach im Inneren der Kapillaren des Keramikern zerstört. Die Innentemperatur der Kapillaren ist dabei dreimal so hoch, wie sie eigentlich sein müsste, um Viren zu zerstören. Airfree® ist Ihr bester Partner zur Vorbeugung von Atemwegserkrankungen.

**19. Reduziert der Airfree® Tabakrauch?**

Ja, Airfree® reduziert alle organisch bedingten Gerüche in der Luft, einschließlich Tabakrauch.

**20. Setzt der Airfree® Gase oder chemische Produkte frei?**

Nein, die Sterilisation basiert auf natürlichen Vorgängen. Bitte lesen Sie dazu auch die eindeutigen Testergebnisse über Partikel und Ozon auf unserer Website.

**21. Wird durch Airfree® die Raumtemperatur erhöht?**

Nein, die Raumtemperatur wird durch Airfree® nicht erhöht. Zwei Airfree®-Geräte in einem Raum strahlen in etwa die gleiche Wärme aus wie ein Erwachsener im selben Raum.

**22. Beeinflusst Airfree® die relative Feuchtigkeit in einem Raum?**

Nein.

### **23. Müssen die Filter des Airfree® gewechselt werden?**

Nein, Airfree® arbeitet mit Hitze und nicht mit Filtern. Es entstehen auch keine gefährlichen Emissionen.

### **24. Braucht der Airfree® viel Strom?**

Nein. Der Stromverbrauch des Airfree® liegt lediglich bei 52 Watt für den P150, 50 Watt für den P125/E125, 48 Watt für den P80/E80, 45 Watt für den P60/E60, 40 Watt für den P40/E40,

### **25. Wirkt sich das Anti-Stress-Licht des Airfree®-Gerätes negativ auf die Sterilisierungsfunktion aus? (\*)**

Nein, das Anti-Stress-Licht hat einen ästhetischen Effekt, der entspannend wirken kann. Das Anti-Stress-Licht kann auch als Nachtleuchte in Kinderzimmern benutzt werden. Gemäß der Chromotherapie hat das blaue Licht einen beruhigenden und entspannenden Effekt.

(\*) Im Airfree® E40/E60/E80/E125 ist kein Anti-Stress-Licht vorhanden.

### **26. Wo bleiben die Mikroorganismen nachdem sie zerstört sind?**

Wie beliebige lebende Organismen, bestehen Mikroorganismen und Ihre Produkte aus Kohlenstoff, Sauerstoff und Stickstoff. Das Airfree®-Gerät vernichtet diese bei 200 °C, deshalb durchlaufen alle Komponenten der Mikroorganismen einen Verbrennungsprozess, der Kohlendioxid (dieselbe Substanz, die beim Ausatmen entsteht) und Wasser freisetzt. Einiges Kohlenstoff (oder Asche) kann sich während des Prozesses absetzen. Sollten einige Allergene zurückbleiben, so kann man davon ausgehen, dass diese vergaaren bzw. denaturiert werden – ein Vorgang, bei dem die ursprüngliche Konstellation und Funktion verloren geht. Wir möchten darauf aufmerksam machen, dass es hier um Reaktionen geht, die im mikroskopischen Bereich stattfinden, daher können diese Vorgänge nicht wahrgenommen werden. Aus diesem Grund muss man sich um die Wartung des Gerätes keine Sorgen machen.

## **Gwährleistung**

Für dieses Produkt wird von AIRFREE® PRODUCTS Gwährleistung wie folgt gegeben: Es wird gegenüber dem ursprünglichen Erwerber für eine Dauer von zwei Jahren, beginnend mit dem Kauf, gewährleistet, dass das Produkt bei ordnungsgemäßer Nutzung frei von Defekten im Hinblick auf das Material und die Verarbeitung ist. Während dieser Frist und nach einem Nachweis des Kaufes und des Kaufdatums wird das Produkt repariert oder durch das gleiche Modell ersetzt, ohne Kosten für die Teile oder Arbeitskosten (abgesehen von Kosten in Höhe von €10,00 für Versicherung und Abwicklung) am Ort des Einzelhandelsunternehmens. Um für die Gwährleistung geeignet zu sein, füllen Sie bitte Ihr Gwährleistungszertifikat im Zeitpunkt des Verkaufes aus und senden Sie dieses an das Einzelhandelsunternehmen. Um eine Gwährleistung in Anspruch nehmen zu können, senden Sie bitte die Bestätigung oder den Nachweis über den Kauf und einen Scheck bzw. eine Anweisung über €10,00 an das Einzelhandelsunternehmen. Diese Gwährleistung findet keine Anwendung, wenn das Produkt nicht richtig gebraucht, missbraucht oder verändert wurde, und, ohne das Vorstehende einzuschränken, es wird vermutet, dass Defekte, die zurückzuführen sind auf das Biegen oder das Fallenlassen der Einheit, auf Fehler bei der elektrischen Installation oder schwankende Stromstärken einen Fehlgebrauch oder Missbrauch darstellen.

AIRFREE® PRODUCTS und seine Konzerngesellschaften oder Großhändler erheben keinen besonderen Anspruch im Hinblick auf den medizinischen Gebrauch dieses Produkts noch gewährleistet der Hersteller, dass die Ausrüstung irgend einer Art von Erkrankung vorbeugt.

Weder die Frist dieser Gwährleistung noch sonst eine Gwährleistung, gleich ob diese ausdrücklich oder stillschweigend erklärt wurde, oder Zusagen über die Verkehrsfähigkeit oder die Eignung zu einem bestimmten Zweck soll die hierin festgelegte Gwährleistungsfrist überschreiten.

Es wird keine Verantwortung für unfallbedingte Schäden oder Folgeschäden übernommen, insbesondere nicht für Schäden, für die einige Bundesstaaten keine Beschränkung im Hinblick auf die Dauer einer stillschweigend erklärten Gwährleistung erlauben. Einige Bundesstaaten gestatten den Ausschluss oder die Begrenzung von unfallbedingten Schäden oder Folgeschäden nicht, so dass die vorstehenden Begrenzungen oder Ausschlüsse unter Umständen nicht auf Sie angewendet werden können.

AIRFREE® PRODUCTS schließt hiermit alle ausdrücklichen Gwährleistungen, die nicht auf andere Art hierin in Kraft gesetzt wurden, und alle stillschweigenden Gwährleistungen oder Zusagen über die Verkehrsfähigkeit oder die Eignung zu einem bestimmten Zweck aus. Es gibt keine Gwährleistungen außerhalb denen in den Beschreibungen hierin. Die Gwährleistung gibt Ihnen besondere juristische Rechte; es kann sein, dass Sie weitere Rechte haben, die von Bundesstaat zu Bundesstaat variieren.

## Instructions de Sécurité



Cet appareil n'est pas destiné à être utilisé par des personnes (y compris les enfants) avec réduites capacités physiques, sensorielles ou mentales, ou manque d'expérience et de connaissances, à moins qu'elles aient surveillance ou instructions sur l'utilisation de cet appareil par une personne responsable de leur sécurité.



Children should be supervised to ensure that they do not play with the appliance.



Avant de brancher votre appareil Airfree, secouez le légèrement pour vérifier si aucune pièce ne se ballade à l'intérieur suite à un choc pendant le transport. Si tel était le cas, retournez le produit à votre revendeur.



Airfree ne doit pas être installé sur une surface humide ou immergé dans l'eau. Cette instruction s'applique d'ailleurs à tout équipement électrique.



Ne pas mettre dessus ou près de l'Airfree un vêtement, serviette ou autre objet qui puisse interrompre ou réduire le flux d'air, en particulier sur la sortie supérieure de l'air stérilisé afin d'éviter une surchauffe, un dégât irréparable de l'appareil et/ou un risque d'incendie.



Ne pas essayer d'ouvrir Airfree ou de toucher ses composants internes: une telle action peut entraîner un risque d'électrocution. En cas de mauvais fonctionnement, contacter le magasin.



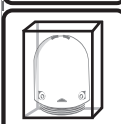
Airfree ne doit pas être manipulé par des enfants.



Pour nettoyer votre appareil Airfree, débranchez le et utilisez un chiffon propre et sec pour l'essuyer. N'essayez pas d'ouvrir l'appareil pour le nettoyer à l'intérieur. Seuls les centres agréés par Airfree sont habilités à ouvrir et réparer votre appareil.



Maintenir toujours Airfree dans sa position verticale comme montré dans l'image. Ne pas essayer de l'employer en longueur sous des meubles. Ne pas bloquer ses entrées d'air inférieures et/ou sorties en évitant l'air d'entrer et l'air stérilisé de sortir de l'Airfree. Si un de ces événements est obstrué, la céramique TSS sera débranchée parce que l'Airfree ne fonctionnera pas correctement. Une fois que l'appareil est correctement installé l'Airfree fonctionnera correctement.



Si le câble d'alimentation est endommagé, il doit être remplacé par le fabricant ou un service agréé afin d'éviter tout danger.



Airfree ne doit pas être placé près de matériaux inflammables ou toxiques.

**Si le câble d'alimentation est endommagé, il doit être remplacé par le fabricant ou un service agréé afin d'éviter tout danger.**

## Les Ennemis Invisibles

La plupart des personnes passe 90% de leur temps à l'intérieur, que ce soit au domicile ou au travail.

D'après les études de l'agence américaine EPA (Environmental Protection Agency), la pollution de l'air des locaux fermés peut être 100 fois supérieure à la pollution extérieure. Plusieurs facteurs y contribuent :

- Concentration élevée d'individus favorisant le développement des moisissures, des bactéries et des virus ainsi que l'apparition de contamination croisée.

- Les nouvelles techniques d'isolation qui limitent au maximum les échanges d'air avec l'extérieur et engendrent donc une prolifération des micro-organismes toxiques dans les habitations.

- L'entretien défectueux des installations de climatisation, pouvant entraîner des risques de contamination importants. La qualité de l'air intérieur est devenue un risque de santé pour ceux qui souffrent de maladies respiratoires et d'allergies ou de réactions physiques provoquées par les moisissures, les allergènes ou la présence d'ozone telles que:

- asthme (bronchite), rhinite ou sinusite

- infection, par spores, des patients dont l'immunologie est réduite.

- irritation des yeux, de la gorge et du nez, maux de tête, léthargie, toux, irritation et manque de concentration.

La relation entre micro-organismes et les maladies citées peut être exprimée par le rapport suivant :

Inoculo\* X Virulence\*\*

Résistance humaine

\*quantité de micro-organismes \*\*agressivité du micro-organisme

Plus le "inoculo" est élevé et la "virulence", et plus la résistance humaine est faible, plus le risque de contamination sera élevé. La contamination est provoquée par un grand nombre de moisissures (certains résistants aux plus puissants agents chimiques), par les bactéries, virus et la fine poussière des déjections d'acariens qui contiennent de puissants allergènes et moisissures, ainsi que les pollens saisonniers.

La solution: Airfree qui, sûr et silencieux, détruit en continu les moisissures, bactéries, virus et allergènes présents dans l'air.

## Utilisations



**Un air pur pour des pièces saines** - La technologie performante et silencieuse de Airfree permet un nettoyage constant de l'air éliminant ainsi la croissance continue de la pollution dans les locaux où l'air doit être de faible niveau de pollution.



**Allergies et asthme** - Airfree permet aux personnes allergiques de disposer d'un environnement plus sain en réduisant de manière drastique les allergènes présents dans l'air. Les moisissures, bactéries et déjections d'acariens sont maintenues à un niveau très faible ainsi que celui de l'ozone.



**Bébés** - Des études montrent que la diminution de l'exposition des jeunes enfants aux acariens réduit les risques de développer de l'asthme.



**Moisissures** - Les spores de moisissures en suspension dans l'air de la maison peuvent provoquer des réactions allergiques. Ces spores peuvent créer de nouvelles colonies et développer les existantes. Airfree détruit ces spores évitant ainsi de nouvelles contaminations.



**Odeurs** - Airfree réduit certaines odeurs : "odeur de moisissure" et autres odeurs organiques.



**Kitchens and Pantries** - The reduction of airborne fungi and spores in areas protected by Airfree helps prevent mildew on food.



**Vidéos, négatifs, diapositives et appareils** - Airfree permet d'obtenir un environnement exempt de moisissures, idéal pour le stockage de vidéos, photos, négatifs ainsi que tous les appareils sensibles (optique, son, etc).



**Bateaux** - L'humidité et le confinement sont des facteurs favorables au développement des micro-organismes. Airfree détruit les spores de moisissures.



**Bureaux, endroits publics** - Les endroits très fréquentés, les couloirs, les ascenseurs, etc., présentent des risques permanent de contamination. Cette situation peut même être aggravée par la pollution (introduite par la climatisation) et par l'ozone, générée par les ordinateurs et photocopieurs. Toutes sortes de maladies transmissibles par l'air peuvent être présentes dans un tel environnement. Airfree est une arme très efficace pour diminuer le risque de contamination par virus, bactéries, moisissures ainsi que les réactions liées à l'ozone et toutes sortes d'allergènes, car il détruit tous les micro-organismes qui traversent sa chambre de combustion.



**Bibliothèques et musées** - Les spores pouvant se transformer en moisissures sont toujours présents dans l'air et sur les objets. Lorsque les conditions d'humidité et de température sont réunies, ces spores germent et il se développe alors de la moisissure sur les livres, les vêtements, les oeuvres d'art. En éliminant la source de ces moisissures, Airfree rend l'environnement beaucoup plus sain, tant pour les utilisateurs et les employés que pour les documents entreposés.



**Écoles, jardins d'enfant** - Les maladies transmissibles par l'air sont une grande préoccupation pour les parents et le personnel éducatif. La grippe, la méningite, la pneumonie, la rubéole, etc., circulent librement dans l'air. Airfree agit en permanence contre les microbes présents dans l'air et, ainsi, réduit considérablement les risques de contamination.



**Pollens** - Pollens ne sont aucune exception et comme d'autres microorganismes sont totalement détruits quand le dépassement par la céramique de stérilisation TSS breveté. Après avoir été détruit les particules inoffensives en résultant sont libérés de nouveau à l'environnement.



**Ozone** - L'ozone est un gaz toxique qui peut endommager les bronches, créer des douleurs thoraciques, donner un sentiment de suffocation et irriter la gorge. L'ozone est aussi l'un des premiers facteurs responsables de l'asthme. Airfree détruit l'ozone présent dans l'air intérieur.



**Virus et bactéries** - Les virus et bactéries sont détruits dans la chambre de combustion à une température d'au moins 200 °C. Cela inclut les microbes les plus dangereux tels que ceux transmettant le SRAS ou la méningite. Airfree éradique tous ces organismes pouvant représenter un danger pour la santé.



**Hôpitaux, cliniques et laboratoires** - La contamination de l'air est un vrai problème pour la plupart des hôpitaux et des cliniques. L'extraordinaire capacité de Airfree à éliminer les virus, les bactéries, les moisissures et l'ozone à l'origine de nombreuses maladies respiratoires le rend indispensable dans les infirmeries, les chambres, les salles d'attente. Son utilisation en laboratoire peut également être facteur de gain de temps (jusqu'à une journée par semaine), car il n'est plus nécessaire de stopper l'activité afin de procéder au nettoyage chimique de l'air.



**Restaurants** - Airfree permet une stérilisation continue de l'air. Silencieusement, Airfree délivre une protection très appréciée. Tous les virus et bactéries qui passent dans sa chambre de destruction sont définitivement éliminés. Pour bénéficier d'une installation optimale de Airfree dans vos locaux, vous pouvez communiquer le plan de votre établissement à votre distributeur.



**Acariens** - L'élimination des moisissures dans l'air ambiant entraîne une diminution de la population des acariens qui en dépendent. Airfree détruit aussi leurs déjections, à l'origine de l'asthme et de bien d'autres réactions allergiques.



**Hôtels et maisons de retraite** - Un établissement hôtelier qui utilise Airfree démontre sa préoccupation de la santé de ses clients : outre l'argument commercial, Airfree peut également offrir une garantie supplémentaire en cas de litige (des tests indépendants ayant prouvé son efficacité).

## Airfree et Moisissures

Comment installer Airfree dans une pièce contaminée par des moisissures:

- 1- Installez votre appareil en respectant les instructions du manuel.
- 2- Laissez fonctionner l'appareil pendant au moins une semaine, pour permettre une réduction importante des spores présents dans l'air.
- 3- Nettoyez les surfaces et objets pouvant être source d'émission de spores.

Il est important de noter que Airfree ne fera pas disparaître les moisissures déjà installées sur un objet ou une surface. Ces surfaces doivent être nettoyées manuellement. Airfree empêchera les spores émis par les colonies existantes de contaminer d'autres endroits et stoppera la croissance des colonies existantes.



Sans Airfree



Avec Airfree

Les illustrations sont basées sur les tests effectués par des laboratoires indépendants. Les résultats peuvent varier en fonction de la pièce et des conditions d'environnement.

## Description de Airfree

1- Couvercle supérieur avec sorties d'air et éclairage relaxant.

2- Carcasse latérale

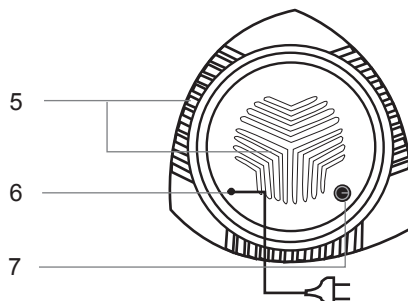
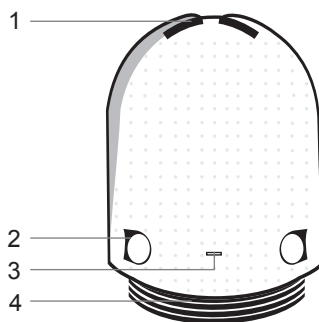
3- Led

4- Base

5- Entrées d'air

6- Cordon d'alimentation

7- Contrôle d'éclairage (dimmer)



L'éclairage bleu a été choisi pour son effet calmant et son esthétique. Il n'a aucun effet ou interférence dans le fonctionnement de la céramique de stérilisation. L'intensité de l'éclairage est contrôlée par le dimmer. (\*) **Anti-stress lights not available in the Airfree E40/E60/E80/E125.**



Placer Airfree sur le sol et le brancher sur la prise électrique la plus proche. Vérifier que la surface d'appui est sèche (ne jamais placer Airfree sur une surface humide ou l'immerger dans l'eau). Vérifier que le led bleu est bien allumé.



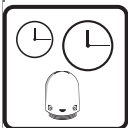
Ne pas installer Airfree sous un meuble ou une étagère ou derrière un rideau. Ceci perturbe les flux d'air et réduit l'efficacité de Airfree.



Placer un Airfree P150 pour un espace de 60m<sup>2</sup> et un P125/E125 pour un espace de 50m<sup>2</sup> et un P80/E80 pour un espace de 32m<sup>2</sup> et un P60/E60 pour un espace de 24m<sup>2</sup> et un P40/E40 pour un espace de 16m<sup>2</sup>. Pour un espace supérieur, placer plusieurs appareils (proportionnellement). Dans le cas contraire, l'efficacité de Airfree sera très réduite.



Airfree doit rester branché en permanence, dans le même endroit.



Airfree doit être installé dans un espace minimum de 11m<sup>3</sup>, sans obstacles.



Airfree peut être installé dans des pièces avec climatisation ou chauffage. Toutefois il est recommandé de ne pas placer l'appareil à proximité, pour éviter une interférence dans le flux d'air.



Il est déconseillé de mettre l'appareil dans le couloir dans le but de purifier l'air de toute l'habitation. En effet Airfree ne réduira que la contamination du couloir.



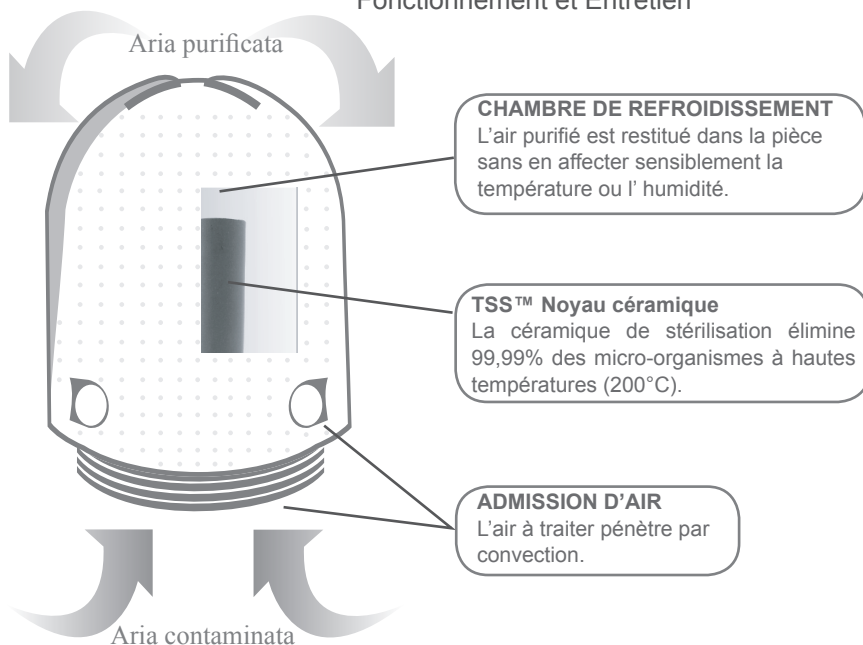
L'efficacité est supérieure dans une pièce fermée. Cependant l'ouverture d'une fenêtre pendant une heure ou deux n'affectera pas l'efficacité de l'appareil. Airfree ne doit pas être placé à proximité immédiate d'une fenêtre ou d'une porte afin d'éviter que trop d'air purifié ne s'échappe.

## Caractéristiques Techniques



Modèle	E40/P40	E60/P60	E80/P80	E125/P125	P150
Capacité	16m <sup>2</sup>	24m <sup>2</sup>	32m <sup>2</sup>	50m <sup>2</sup>	60m <sup>2</sup>
Consommation électrique	40W	45W	48W	50W	52W
Voltage	220-240V	220-240V	220-240V	220-240V	220-240V
Niveau sonore	Silencieux	Silencieux	Silencieux	Silencieux	Silencieux
Poids	1.09 Kg	1.09 Kg	1.09 Kg	1.27 Kg	1.48 Kg
Dimensions	Hauteur: 26.5cm Ø 21.5cm	Hauteur: 10.4cm Ø 8.4cm	Hauteur: 10.4cm Ø 8.4cm	Hauteur: 10.4cm Ø 8.4cm	Hauteur: 10.4cm Ø 8.4cm

## Fonctionnement et Entretien



## Fonctionnement de Airfree

L'air contaminé pénètre silencieusement par convection et il est stérilisé dans les canaux de céramique. Les micro-organismes, virus, spores, bactéries sont détruits (incinérés) à leur passage dans les canaux, à 200°C, quelle que soit leur nocivité et capacité de résistance. La chaleur dégagée provoque la sortie de l'air stérilisé par pression négative. Ainsi l'entrée du flux d'air à traiter est constante. Par ailleurs la céramique utilisée réduit la quantité d'ozone toxique.



## LABORATOIRES , INSTITUTIONS ET UNIVERSITES DANS LES PAYS SUIVANTS

Laboratoire	Ville/Pays	Riduzione dei microrganismi		
		Funghi	Batteri	DerP-1
Insect R&D Limited Cambridge, UK june, 2005	Laboratoire			70,6% to 97,95%
SGS Natec Institute* Hamburgo/Germany september to november, 2000	Laboratoire de bureau	99%	99%	
Technical Micronics Control Huntersville/USA april 28 to may 14, 1998	Laboratoire	93%	78%	
Univ. Complutense de Madrid Madrid/Spain october 21, 1997	Laboratoire	69%	79%	
AINIA Valença Spain june 9 to august 22, 2003	Chambre froide	86%		
INETI* Lisbon/Portugal january 13 to february 18, 1999	Torre do Tombo Nationale Portugaise Archives	93%	94%	
INETI* Lisbon/Portugal may 7 to june 18, 1999	RTP Vidéo Archives	74%	70%	
INETI* Lisbon/Portugal april 3 to may 5, 1998	Succursale de la Banque	77%		
Univ. Nova of Lisbon june 5, 1998	Laboratoire	90%	62%	
Campana Laboratory/ São Paulo/Brazil april 14 to april 29, 1999	Produits chimiques pour laboratoires	99%	83%	
INETI* Lisbon/Portugal november 12 to december 10, 2004	Environnements fermés	98%	87%	
INETI* Lisbon/Portugal march 19 to april 30, 2001	Chambres	92%	82%	

Les résultats détaillés sont disponibles sur notre site [www.airfree.com](http://www.airfree.com)

\* Certified by ISO 17025

## Questions les plus fréquentes

### 1. Comment fonctionne Airfree ?

Airfree détruit les micro-organismes lorsqu'ils passent dans les canaux de la céramique. L'air contaminé est aspiré à l'intérieur de la chambre de combustion par convection. Les micro-organismes sont détruits à haute température, indépendamment de leur capacité de résistance ou de leur dangerosité.

### 2. Existe-il des effets secondaires ?

Non. La technologie moderne d'Airfree utilise la chaleur pour purifier l'air. Pas d'effets secondaires, aucune émission, pas de création d'ions ou de particules. Airfree peut être utilisé en permanence dans les résidences ou bureaux.

### 3. Mon Airfree ne cesse pas le clignotement. Qu'est que ça veut dire?

**Cause 1 :** Airfree® incorpore un dispositif économiseur d'énergie automatique en coupant automatiquement la Céramique TSS quand il a atteint une température ambiante suffisante pour faciliter la convection de l'air dans la machine. Airfree® est dessiné pour détruire des impuretés, des contaminants et des odeurs. La Céramique TSS s'est arrêté pendant quelques minutes, le voyant de signalisation s'éteint, et les lumières supérieures émettant la diode (L.E.D.) clignotent mais Airfree® continue à stériliser l'air pendant ce temps. Ceci indique la conservation de la consommation de courant électrique et la conservation de la Céramique TSS.

**Cause 2 :** Un autre facteur contribuant à l'occurrence du clignotement d'Airfree est l'air ambiant (air dans l'environnement). Quand l'air ambiant atteint le 35 °C la Céramique TSS d'Airfree® se règle automatiquement et se coupe pendant quelques minutes mais continue toujours son activité de stérilisation (le clignotement des lumières supérieures signale cette occurrence). Dans ce processus de l'énergie est conservée et le mécanisme de sûreté d'Airfree est augmenté.

**Cause 3 :** Airfree® incorpore l'électronique sophistiqué que détect tout le placement inexact du dispositif ou défaut de fonctionnement . Si les lumières supérieures ne cesse pas le clignotement, assurez-vous svp que votre Airfree® est en position verticale. Si les prises d'air de dessus et de bas sont exemptes de colmatage, le clignotement peut être aussi dû à une sortie électrique défectueuse. Veuillez le brancher dans un autre chambre. Si dans les 10 minutes suivantes les lumières supérieures continue le clignotement et votre Airfree® est correctement installé, ceci indique que le dispositif peut fonctionner mal. Veuillez contacter promptement votre revendeur en un tel cas. (\*) **The Airfree® E40/E60/ E80/ E125 does not incorporate the Anti-stress lights.**

### 4. Y a-t-il un risque quand la lumière supérieure d'Airfree clignote ?

Non. Quand le circuit électronique d'Airfree détecte n'importe quelle irrégularité il coupe automatiquement la céramique TSS. (\*) **The Airfree® E40/E60/ E80/ E125 does not incorporate the Anti-stress lights.**

### 5. Quelle est la capacité de purification d Airfree ?

Placer un Airfree P150 pour un espace de 60m<sup>2</sup> et un P125/E125 pour un espace de 50m<sup>2</sup> et un P80/E80 pour un espace de 32m<sup>2</sup> et un P60/E60 pour un espace de 24m<sup>2</sup> et un P40/E40 pour un espace de 16m<sup>2</sup>.

### 6. Puis-je installer Airfree dans un endroit clos ?

Oui, tant que le volume de la pièce est supérieur à 11 m<sup>3</sup>. Airfree ne doit pas être placé sous une étagère , sinon son efficacité sera réduite.

### 7. Airfree peut être utilisé dans une pièce avec climatisation ?

Oui.

### 8. Comment savoir si Airfree fonctionne ?

Si la partie supérieure de l'appareil est chaude, Airfree fonctionne.

### 9. Peut-on placer Airfree dans un couloir pour purifier les pièces adjacentes ?

Non. Airfree ne traitera que la pollution présente dans le couloir.

### 10. Airfree peut-il être placé dans une pièce fermée ?

Oui , sans problème si le volume de la pièce est supérieur à 10m<sup>3</sup>.

**11. Airfree élimine-t-il les bactéries et virus ?**

Oui. Au contraire des filtres, Airfree est très efficace avec les plus petits micro-organismes car ils sont aisément emportés vers le bloc de céramique à haute température.

**12. Airfree peut-il être déplacé d'une pièce à l'autre ?**

Non. Airfree doit être branché 24h/ 24 dans la même pièce. L'efficacité de la technologie brevetée réside en partie dans la mise en place d'un cycle de purification permanent. Changer l'appareil de place interrompt ce cycle.

**13. Airfree doit-il être stoppé quand on sort ?**

Non. Airfree doit toujours rester branché.

**14. Que se passe-t-il si Airfree est débranché ou s'il y a une coupure de courant ?**

Airfree mettra à peu près un temps équivalent à celui de la coupure pour récupérer le niveau de purification d'origine.

**15. Est ce que CADR mesure l'efficacité de l'Airfree?**

Pas du tout. CADR n'est pas conçu pour examiner la technologie d'Airfree et la contamination microbiologique. Le joint d'AHAM (habituellement trouvé sur un filtre d'air) énumère trois nombres du taux de la livraison d'air pur (CADR) : un pour la fumée de tabac, un pour les pollens, et un pour la poussière. Le CADR indique le volume d'air filtré (particules) par un filtre. La raison principale pourquoi CADR n'est pas conçu pour Airfree est parce qu'Airfree ne filtre pas poussière mais détruit des micro-organismes à la place. CADR s'applique seulement au volume d'air filtré des particules comme cité cidessus. CADR ne mesure pas la réduction des micro-organismes comme les virus, moules, moisissure, et les bactéries seulement discernables par un laboratoire de microbiologie. Airfree détruit (pas le piège ou attirent à l'autre surface) n'importe quel micro-organisme. 99.99% de toutes les particules organiques sont entièrement détruits quand le dépassement par la céramique TSS breveté de l'Airfree.

**16. Comment Airfree lutte-il contre les acariens ?**

Airfree détruit les moisissures dont les acariens ont besoin pour se nourrir. La disparition des moisissures réduit donc d'autant la population d'acariens. Airfree détruit aussi les toxines et spores des déjections à l'origine d'allergies respiratoires.

**17. Comment Airfree détruit-il les moisissures ?**

Airfree détruit tous les micro-organismes présents dans l'air, spores inclus. Les moisissures sont éliminées graduellement, au fur et à mesure de la destruction des spores.

**18. Comment Airfree élimine-t-il les virus ?**

Ces organismes microscopiques sont supprimés facilement dans les canaux de la céramique, la température atteinte étant très supérieure à celle requise.

**19. Airfree réduit-il les odeurs de tabac ?**

Oui. Airfree contribue à éliminer toutes les odeurs d'origine organique, y compris le tabac.

**20. Airfree émet-il des gaz ou produits chimiques ?**

Non, la technologie d'Airfree est basée sur un principe naturel. Consultez notre site [www.airfree.com](http://www.airfree.com) pour accéder aux tests sur l'élimination des particules et de l'ozone (O3).

**21. Airfree élève-t-il la température de la pièce ?**

Non. Airfree n'élève pas sensiblement la température d'une pièce. A titre de comparaison, deux appareils Airfree ne dégagent pas plus de chaleur qu'un adulte.

**22. Airfree modifie-t-il le taux d'humidité de la pièce ?**

Non

### **23. Faut-il changer des filtres ?**

Non.

### **24. Est ce qu' Airfree® consomme beaucoup d'énergie?**

La consommation d' Airfree est juste 52W pour P150, 50W pour P125/E125, 48W pour P80/E80, 45W pour P60/E60, 40W pour P40/E40.

### **25 - La lumière anti-stress d'Airfree® - interfère-t-elle la fonction de stérilisation d'Airfree® ?**

Non. La lumière anti-stress a un effet esthétique, "relaxing" ou simplement utilisé comme lumière de nuit dans les chambres des enfants ou nouveau-nés. Selon la thérapie de chromo la lumière bleue a l'effet apaisant et de détente.

### **26 - Où les micro-organismes vont après qu'ils soient détruits?**

En tant que toute la matière organique, des micro-organismes et leurs produits se composent fondamentalement par le carbone, l'oxygène et l'azote. Puisqu'Airfree® atteint presque approximativement 200C, tous les composants souffrent un processus de combustion, qui libère le bioxyde de carbone (le même produit libéré par notre respiration) et de l'eau. Un certain carbone (ou des cendres) peut rester dans le processus. S'il y a un certain allergène résiduel laissé, nous pourrions considérer qu'il souffre l'ation de denatur, un processus que implique la perte de sa conformation et fonction. Il convient noter que nous parlons des réactions qui se produisent à un niveau microscopique, ainsi tous ces processus ou sous-produits ne seront pas perçus. Dans ce cas-ci, il n'y a aucun besoin de s'inquiéter pour l'entretien.

## **Garantie**

Ce produit est garanti par AIRFREE PRODUCTS comme exempt de défauts, dans le cadre d'une utilisation normale pour une période de deux ans à partir de la date d'achat. Pendant cette période, après avoir fourni la preuve et la date de l'achat, ce produit sera réparé ou échangé à l'adresse du distributeur, par un modèle identique ou similaire sans frais liés aux pièces ou à la main d'oeuvre (une participation de 10 € aux frais de transport sera exigée). Pour bénéficier de la garantie, veuillez compléter la carte de garantie jointe et la retourner à votre distributeur. Pour obtenir la réparation ou le remplacement au titre de la garantie, retournez votre preuve d'achat et un chèque de 10 € à l'ordre du distributeur. Cette garantie ne pourra pas être appliquée à un produit qui n'a pas été utilisé dans les règles précisées dans ce manuel, à un produit qui a été abîmé (chocs) ou démonté, ainsi qu'à un produit dont l'origine des défauts est liée à l'installation électrique ou à la fluctuation du courant. AIRFREE PRODUCTS ainsi que ses filiales ou distributeurs ne garantissent en aucune manière que l'usage de ce produit empêche l'apparition de certaines maladies. IL N'Y A PAS D'AUTRES GARANTIES. TOUTES GARANTIES IMPLICITES SUR AIRFREE ET SES PIECES, Y INCLUS DES GARANTIES IMPLICITES DE QUALITE MARCHANDE ET D'APTITUDE A UN BUT SPECIFIQUE SONT LIMITEES LA PERIODE DE GARANTIE. TOUTES AUTRES PIECES AU SUJET DE LA QUALITE MARCHANDE ET APTITUDE A UN BUT SPECIFIQUE SONT NIEES. Certains états ne permettent pas de limitations sur le temps de la validité d'une garantie implicite, et il se peut que les limites cidessus ne s'appliquent pas à vous. LE REMEDE UNIQUE ET EXCLUSIF POUR CETTE GARANTIE EST DE REPARER OU REMPLACER PAR UN APPAREIL IDENTIQUE OU SIMILAIRE VOTRE APPAREIL AIRFREE... EN AUCUN CAS AIRFREE SERA TENU RESPONSABLE POUR DES DOMMAGES ACCESSOIRES OU INDIRECTS VERS L'ACHETEUR OU UNE TIERCE PERSONNE, Y INCLUS SANS LIMITATION, DES DOMMAGES RESULTANT DE PROFITS PERDUS, PERTE D'OPPORTUNITE D'AFFAIRES, PERTE DE PROPRIETE, PERTES ECONOMIQUES, DOMMAGES JUDICIELS, PREJUDICE MORAL, QU'EN NEGLIGENCE, GARANTIE, RESPONSABILITE STRICTE OU AUTRE. Certains états ne permettent pas l'exclusion de dommages accessoires ou indirects, et les limitations ci-dessus ne s'appliquent peut être pas à vous. Cette garantie vous donne des droits spécifiques. Il se peut aussi que vous ayez d'autres droits qui varient d'état en état.

\* AIRFREE® PRODUCTS, Rua Mouzinho da Silveira N°27 - 5A - 1250-166, Lisbon Portugal  
- Tel.: 00 351 - 213 156 222  
- Fax: 00 351 - 213 516 228  
- Web: [www.airfree.com](http://www.airfree.com)  
- Mail: [info@airfree.com](mailto:info@airfree.com)

## Istruzioni di sicurezza



Questo apparecchio non può essere utilizzato da persone (bambini compresi) con possibilità fisiche, sensoriali o mentali ridotte, o con mancanza di esperienza, a meno che non siano sotto il controllo di una persona responsabile della loro sicurezza mentre utilizzano l'apparecchio.



I bambini devono essere sorvegliati per accertarsi che non giochino con l'apparecchio.



Prima di installare Airfree®, l'apparecchio va agitato delicatamente per controllare che non ci siano delle parti allentate all'interno a seguito di danni riportati durante il trasporto. Se le parti risultano allentate, si prega di restituire l'unità al rivenditore.



Non è raccomandabile installare Airfree® in zone umide/bagnate. Airfree® non deve essere posto vicino a porte o finestre, poiché l'aria trattata potrebbe fuoriuscire.



Non disporre i vestiti, stoffe o alcun articolo sopra o intorno a Airfree® in modo tale che possano arrestare o diminuire la corrente d'aria che Airfree® emette tramite l'uscita superiore. L'ostruzione della presa d'aria può causare un riscaldamento eccessivo, il danneggiamento irreparabile del dispositivo ed il rischio potenziale di incendio.



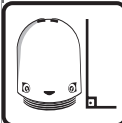
Non cercare di aprire Airfree e non toccare le parti interne. Procedure di questo tipo possono causare potenziali rischi di shock elettrico. Inoltre, come tutti i dispositivi elettrici, non deve essere immerso in acqua. L'apertura e la manutenzione di Airfree® è destinata ai soli tecnici Airfree® durante e dopo la garanzia.



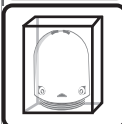
Airfree® come qualunque altra apparecchiatura elettrica non deve essere maneggiato dai bambini.



Per pulire Airfree®, disconnetterlo dalla presa elettrica ed utilizzare un panno asciutto per pulire la superficie esterna. Soltanto i tecnici autorizzati da Airfree® hanno l'autorizzazione per riparare il vostro Airfree®.



Mantenere sempre Airfree® in posizione verticale come indicato nell'immagine. Se disposto in altro modo, il TSS™ (Termodynamic Sterilization System) non funzionerà più in maniera efficace in quanto l'apparecchiatura, in quelle circostanze, non riuscirà a funzionare correttamente e dopo un minuto la luce anti-stress inizierà a lampeggiare per richiamare la Vostra attenzione.



In caso di restituzione per una riparazione, assicurarsi che Airfree® sia protetto all'interno della scatola originale per evitare ulteriori danni. Il rivenditore Airfree® più vicino di può essere trovato su [www.airfree.com](http://www.airfree.com).



Airfree non deve essere posizionato vicino a prodotti infiammabili o tossici.

**Se il cavo di alimentazione è danneggiato, deve essere sostituito dal fornitore o dal servizio della garanzia di Airfree® per evitare rischi legati alla sicurezza.**

## I nostri nemici invisibili

La maggior parte delle persone trascorrono circa il 90% del loro tempo in casa o in ufficio.

L'agenzia statunitense EPA - Environmental Protection Agency sostiene che la qualità dell'aria degli ambienti interni può essere 100 volte peggiore che all'aperto. Alcuni fattori contribuiscono alla contaminazione interna:

- con un'alta concentrazione di persone aumentano i funghi, i batteri e lo sviluppo di virus e la contaminazione incrociata

- le nuove tecniche di isolamento degli edifici riducono gli interscambi di aria e di conseguenza i costi legati al condizionamento dell'aria, ma a loro volta aumentano drasticamente la muffa e lo sviluppo di colonie di batteri.

- mancanza di pulizia nei condotti dell'aria condizionata.

- concentrazione di materiale organico come libri, moquette, tende e divani.

Una buona qualità dell'aria interna è indispensabile per le persone colpite da malattie respiratorie e da allergie.

I contaminanti dell'aria interna (funghi, allergeni, pollini, ozono) possono innescare

- asma, bronchiti, riniti e sinusiti.

- infezioni fungine nei pazienti immunodeficienti

- irritazioni alla gola, occhi e naso

- emicrania, irritabilità, sonnolenza

- malessere e difficoltà di concentrazione

Rapporto tra microrganismi e inerenti malattie.

Inocolums(\*) X Virulency (\*\*)

Resistenza Umana

(\*)Quantità di microrganismi (\*\*) Aggressività dei microorganismi

All'aumentare di "Inocolums" e "Virulency" o al diminuire della Resistenza Umana si verifica una maggiore contaminazione ed un maggior rischio per le persone.

Le cause principali di contaminazione sono diversi tipi di funghi, (alcuni dei quali resistenti ai prodotti chimici e ai veleni più potenti), i batteri, i virus, i minuscoli escrementi degli acari della polvere e scheletri contenenti allergeni potenti e funghi pericolosi e i pollini stagionali.

Airfree può tranquillamente e silenziosamente distruggere questi allergeni.

### Applicazioni



**Ambienti sani con aria depurata** - La tecnologia silenziosa ed efficace di Airfree® fornisce aria pulita riduce la contaminazione ambientale.



**Individui allergici ed asmatici** - La notevole riduzione degli allergeni dovuta all'uso di Airfree® aiuta a depurare gli ambienti per le persone allergiche. Acari ed allergeni sono ridotti ai minimi livelli. Il sollievo per una persona allergica è dato dalla riduzione degli allergeni e quindi dalla riduzione dei sintomi.



**Neonati e bambini** - Studi hanno dimostrato che una riduzione dell'esposizione agli acari da parte di neonati e bambini diminuisce la possibilità di sviluppare asma.



**Funghi** - Airfree® riduce drasticamente tutti i tipi di funghi. Non più funghi sulla pelle, né su indumenti, neppure nelle zone più umide della casa. I funghi e le loro spore sono distrutti all'interno del nucleo ceramico di Airfree® ad altissime temperature. Con Airfree® dite addio ai funghi in casa Vostra.



**Odori** - Gli odori organici sono drasticamente ridotti o addirittura eliminati da Airfree®.



**Cucine e dispense** - Riduzione di funghi e spore in qualsiasi area protetta da Airfree®. Evita il formarsi di muffe sui formaggi, sul pane, sulla frutta ed altri alimenti.



**Video, film, diapositive e dispositivi sonori ed ottici** - L'assenza di funghi e spore rende gli ambienti protetti da Airfree® ideali per la conservazione di videocamere, videocassette, foto, diapositive, negativi ed altri dispositivi che sviluppano funghi. Silenziosamente ed in modo sicuro, Airfree® protegge i Vostri oggetti ed i Vostri ricordi.



**Yatches, imbarcazioni da turismo e da pesca** - Airfree® elimina in modo sicuro le spore dei funghi, la muffa, gli acari della polvere e i batteri che provocano cattivi odori, contribuendo a risolvere questo genere di problemi anche in barca.



**Uffici, edifici pubblici** - Le stanze, i corridoi e gli ascensori molto frequentati presentano un rischio costante di contaminazione sia per gli impiegati che per gli ospiti. Questa situazione si aggrava a causa del flusso delle spore dei funghi e di altri microbi immessi attraverso l'aria condizionata, e soprattutto dall'ozono prodotto da stampanti laser, computer e fotocopiatrici. La diffusione delle malattie trasmissibili per via aerea viene accelerata in un ambiente chiuso. Airfree® è un'arma potente nella riduzione della contaminazione causata dalla dispersione nell'aria di virus, batteri, funghi, ozono e da una serie di allergeni.



**Biblioteche e musei** - Le spore dei funghi che creano la muffa e sono sempre presenti. Quando la temperatura e l'umidità nell'ambiente creano le condizioni adatte, la spora fa germinare la muffa e lo sviluppo comincia. Questo sviluppo contamina i libri, i vestiti, i documenti e le opere d'arte. Airfree® distrugge la muffa eliminando le spore, contribuendo ad un ambiente più sano per gli utenti e gli impiegati, proteggendo anche le opere antiche.



**Scuole, asili** - L'uso di Airfree® nelle aule testimonia la cura dei dirigenti per il benessere del personale e dell'allievo.



**Pollini** - I pollini vengono completamente distrutti attraverso il nucleo di sterilizzazione brevettato da Airfree®. Dopo aver distrutto i pollini le particelle denaturate e rese inoffensive sono liberate di nuovo all'ambiente.



**Ozono (O3)** - L'ozono è un gas molto tossico che secondo EPA può danneggiare il tessuto polmonare, provocare dolori al torace, irritazione della gola e agli occhi e causare asma. La FDA degli Stati Uniti suggerisce di non utilizzare direttamente o indirettamente alcuna apparecchiatura che generi ozono in ospedali o dove sono presenti i pazienti. Anche le ultime direttive europee impongono la riduzione di tali emissioni. Airfree® riduce i livelli dell'ozono del 26% tramite il suo speciale nucleo di ceramica.



**Virus, batteri, funghi e germi** - Airfree® distrugge tutti i microrganismi più microscopici e pericolosi dispersi nell'aria sopra citati. Gli scienziati confermano che i virus, i funghi e la struttura molecolare dei batteri (composta di proteine), non possono sopravvivere a temperature elevate come quelle raggiunte nel nucleo di ceramica brevettato di Airfree®.



**Ospedali, cliniche e laboratori** - Con l'uso di Airfree®, l'ambiente dell'ospedale diventa più igienico. I laboratori di analisi non devono più arrestare tutte le attività per la purificazione dell'aria.



**Ristoranti** - Airfree® produce la sterilizzazione continua dell'aria. Silenziosamente, Airfree® assicura una protezione addizionale coadiuvando i sistemi usati per l'igiene degli ambienti. Tutti i virus e i batteri che attraversano il nucleo ceramico di sterilizzazione brevettato del Airfree® vengono distrutti.



**Acari della polvere** - Molte reazioni allergiche sono causate dagli acari della polvere. La polvere fine generata dai loro scheletri e dagli escrementi contiene i funghi e allergeni e quando viene inalata causa reazioni allergiche. Questi allergeni e i funghi sono completamente distrutti nel nucleo interno di ceramica di Airfree®. Inoltre, la riduzione dei funghi nell'ambiente riduce la popolazione degli acari della polvere, in quanto hanno bisogno di determinati tipi di funghi per sopravvivere.



**Hotels e case di riposo** - L'uso di Airfree® nelle stanze degli ospiti dimostra la cura per il benessere dei clienti. Airfree® ha prove di laboratori indipendenti che dimostrano la sua efficienza.

## Airfree® e la muffa

Consigli per l'installazione di Airfree® in stanze contaminate dalla muffa:

1 - Installare l'unità Airfree® secondo le norme contenute nel manuale.

2 - attendere che l'unità Airfree® funzioni per almeno una settimana per constatare una significativa riduzione delle spore della muffa.

3 - Pulire gli oggetti e le superfici infettate dalla muffa con apposite soluzioni, poiché sono una continua fonte di nuove spore.

È importante avvertire che Airfree® non distruggerà o non rimuoverà la muffa che ha infettato un oggetto o una superficie. Tali superfici devono essere pulite manualmente rimuovendo la muffa. Airfree® impedirà che le spore liberate dalle colonie di muffa vadano a contaminare altre zone ed inibirà lo sviluppo delle colonie attuali.



Senza Airfree®



Con Airfree®

Immagini e illustrazioni sono basate sui risultati delle prove indipendenti di Airfree®. I risultati possono variare a seconda della stanza e delle condizioni ambientali.

## Descrizione di Airfree®

1- Parte superiore

2- Coperture laterali

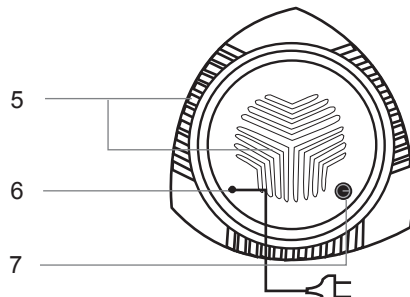
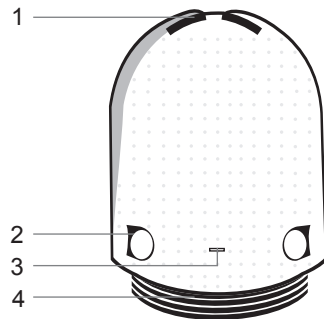
3- Led acceso/spento

4- Piedini

5- Prese d'aria

6- Cavo di alimentazione

7- Luce Anti-Stress (\*)



La luce anti-stress di Airfree® ha un effetto estetico e distensivo. È possibile regolare l'intensità della luce per mezzo del regolatore di luminosità che si trova nel comparto inferiore di Airfree®. La luce non interviene o non ha alcun rapporto con il funzionamento del nucleo di sterilizzazione di Airfree®.

\*(disponibile in Airfree® P40, P60, P80, P125 e P150)



## Installazione e collegamenti



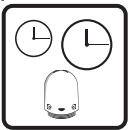
Collegare il cavo di alimentazione alla presa più vicina. Assicurarsi che la superficie sia asciutta (non disporre mai Airfree® su pavimenti bagnati o immergerlo in acqua) assicurarsi che la spia azzurra laterale si accenda. Impostare il regolatore della luminosità (disponibile in Airfree® P40, P60 , P80, P125 e p150) e la luce anti-stress dovrebbe essere emessa dal coperchio superiore (1). Dopo 10 minuti circa il coperchio superiore dovrebbe essere caldo.



Non installare Airfree® sopra o sotto i mobili, poiché questo bloccherebbe i flussi d'aria e ridurrebbe la sua efficacia.



Posizionare P150 in stanze fino a 60m<sup>2</sup>, P125/E125 in stanze fino a 50m<sup>2</sup>, P80/E80 in stanze fino a 32m<sup>2</sup>, P60/E60 in stanze fino a 24m<sup>2</sup>, P40/E40 in stanze fino a 16m<sup>2</sup>. Per le stanze più grandi usare altre unità supplementari di Airfree® proporzionandole alla metratura. L'uso di un Airfree® in una stanza con cubatura superiore a quanto suggerito dal modello Airfree® riduce in modo considerevole l'efficacia di Airfree®.



Airfree® deve funzionare 24 ore su 24 e sempre nella stessa posizione.



Airfree® può essere installato nelle dispense e ripostigli se superiori a 11m<sup>3</sup>. Non posizionarlo sotto le scaffalature.



Si raccomanda di posizionare Airfree® lontano apparecchiature che possano causare interferenze con i flussi d'aria emessi da Airfree®.



Non disporre Airfree® nel corridoio per purificare l'aria di tutta la casa. In questo caso Airfree® ridurrà soltanto la contaminazione dell'aria nella zona del corridoio.



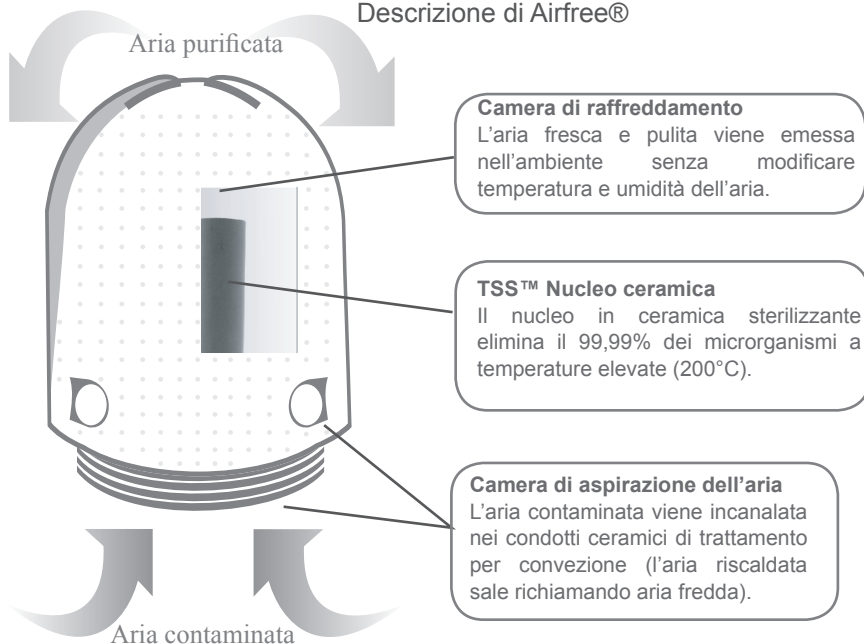
Airfree® funziona meglio nelle sale con le finestre chiuse. Tuttavia aprire la finestra un'ora o due per permettere lo scambio di aria con l'esterno non compromette l'efficienza di Airfree®. Non disporre Airfree® vicino a porte o sotto la finestra per evitare che l'aria sterilizzata esca dalla stanza.

## Caratteristiche di Airfree®



Modello	E40/P40	E60/P60	E80/P80	E125/P125	P150
Capacità	16m <sup>2</sup>	24m <sup>2</sup>	32m <sup>2</sup>	50m <sup>2</sup>	60m <sup>2</sup>
Consumo	40W	45W	48W	50W	52W
Voltaggio	220-240V	220-240V	220-240V	220-240V	220-240V
Rumore	Silenzioso	Silenzioso	Silenzioso	Silenzioso	Silenzioso
Peso	1.09 Kg	1.09 Kg	1.09 Kg	1.27 Kg	1.48 Kg
Dimensioni	altezza: 26.5cm Ø 21.5cm	altezza: 10.4cm Ø 8.4cm	altezza: 10.4cm Ø 8.4cm	altezza: 10.4cm Ø 8.4cm	altezza: 10.4cm Ø 8.4cm

## Descrizione di Airfree®



## Funzionalità

L'aria contaminata viene trattata all'interno del nucleo ceramico brevettato di Airfree®. Il nucleo ceramico di Airfree® è provvisto di molteplici condotti riscaldati ad una temperatura di circa 200°C. I microrganismi organici vengono distrutti (inceneriti) nel momento in cui passano attraverso i condotti ceramici riscaldati di Airfree®, a prescindere dalla loro pericolosità o resistenza a sostanze chimiche.

**L'EFFICACIA DI AIRFREE® E' STATA COMPROVATA DA LABORATORI, ISTITUTI ED UNIVERSITA' INDIPENDENTI NEI SEGUENTI PAESI.**

Laboratorio	Locazione	Riduzione dei microrganismi		
		Funghi	Batteri	DerP-1
Insect R&D Limited Cambridge, UK june, 2005	Laboratorio			70,6% to 97,95%
SGS Natec Institute* Hamburgo/Germany september to november, 2000	Laboratorio di ufficio	99%	99%	
Technical Micronics Control Huntesville/USA april 28 to may 14, 1998	Laboratorio	93%	78%	
Univ. Complutense de Madrid Madrid/Spain october 21, 1997	Laboratorio Clinico	69%	79%	
AINIA Valença Spain june 9 to august 22, 2003	Camera fredda	86%		
INETI* Lisbon/Portugal january 13 to february 18, 1999	Torre do Tombo Archivio Nazionale Portoghese	93%	94%	
INETI* Lisbon/Portugal may 7 to june 18, 1999	RTP Archivio Video	74%	70%	
INETI* Lisbon/Portugal april 3 to may 5, 1998	Banca Filiale	77%		
Univ. Nova of Lisbon june 5, 1998	Laboratorio	90%	62%	
Campana Laboratory/ São Paulo/Brazil april 14 to april 29, 1999	Laboratorio Chimico	99%	83%	
INETI* Lisbon/Portugal november 12 to december 10, 2004	Ambienti Chiusi	98%	87%	
INETI* Lisbon/Portugal march 19 to april 30, 2001	Camera d'Albergo	92%	82%	

I test comprovanti l'efficacia di Airfree® possono essere consultati sul sito [www.airfree.com](http://www.airfree.com)

\* Certificato ISO 17025

## FAQ (Domande frequenti)

### 1. Come funziona Airfree®?

Airfree® distrugge i microrganismi all'interno del nucleo ceramico brevettato. L'aria contaminata viene spinta all'interno del nucleo ceramico per convezione ed i microrganismi vengono distrutti ad alte temperature, a prescindere da quanto possano essere resistenti o pericolosi.

### 2. Airfree® ha degli effetti collaterali (o indesiderati)?

No. La nuova tecnologia utilizza il calore per depurare l'aria. Non vi sono effetti indesiderati, nessuna emissione né produzione di ioni, né di particelle. Airfree® dovrebbe essere utilizzato in tutte le case e gli uffici per depurare silenziosamente, costantemente ed efficacemente l'aria.

### 3. Airfree® non smette di lampeggiare. Che significa? (\*)

Causa 1: Airfree® ha una funzione economizzatrice d'energia automatica che spegne il piatto ceramico TSS™ quando raggiunge la temperatura interna richiesta per generare il flusso necessario di convezione dell'aria che spinge l'aria contaminata dalla stanza in Airfree®, per distruggere i microrganismi, gli allergeni organici e gli odori. Durante questo processo l'indicatore laterale si spegne, la luce "anti-stress" lampeggia, ma Airfree® continua a sterilizzare l'aria durante questo breve periodo. Questa procedura, riduce il consumo di energia elettrica e protegge il piatto ceramico TSS™.

Causa 2: Un altro fattore può portare al lampeggiamento di Airfree®: è la temperatura dell'aria ambientale. Quando l'aria della stanza raggiunge i 35°C, Airfree® si auto regola e stacca il piatto ceramico TSS™ per alcuni minuti,

ma continua a sterilizzare l'aria (il lampeggiamento della luce superiore e l'interruzione della luce LED laterale sui modelli P60/P80/P125/P150 e l'interruzione della luce LED laterale sul modello E40/ E60/ E80/ E125, segnalano questo avvenimento). In questo processo viene conservata energia e aumenta la sicurezza di Airfree®.

Causa 3: Airfree® comprende un'elettronica avanzata che rileva ed avverte della collocazione errata e del funzionamento improprio. Se la luce superiore non smette di lampeggiare, accertarsi che il vostro Airfree® sia nella posizione dritta, che le prese d'aria del basso e dell'alto non siano ostruite. Il lampeggiamento inoltre può essere dovuto a una presa elettrica difettosa, in questo caso utilizzare una presa funzionante. Se in 10 minuti le luci superiori continuano a lampeggiare e se il vostro Airfree® è installato correttamente, indica che il dispositivo non funziona correttamente. In questo caso è necessario riportare Airfree® presso il negozio in cui è stato comprato.

(\*) Il Airfree® E40/E60/E80/E125 non comprende la Luce Anti-stress.

### 4. C'è qualche rischio quando la luce superiore di Airfree lampeggia?

No. Quando l'elettronica di Airfree rileva eventuali irregolarità spegne automaticamente il piatto ceramico TSS™

(\*) Il Airfree® E40/E60/E80/E125 non comprende le Luci Anti-stress.

### 5. Quale è la capacità di purificazione d'aria di Airfree?

Airfree® P150 è stato progettato per le stanze fino ad un massimo di 60m<sup>2</sup>; Airfree® P125/E125 è stato progettato

per le stanze fino ad un massimo di 50m<sup>2</sup>. Airfree® P80/E80 è stato progettato per le stanze fino ad un massimo di 32m<sup>2</sup>; Airfree® P60/E60 è stato progettato per le stanze fino ad un massimo di 24m<sup>2</sup>; Airfree® P40/E40 è stato progettato per le stanze fino ad un massimo di 16m<sup>2</sup>.

### 6. Si può installare Airfree® in ripostiglio od in una piccola stanza?

Sì, ma assicurarsi che il locale abbia un volume maggiore di 11m<sup>3</sup>. Airfree® non deve essere posto sotto le Scaffalature poiché potrebbero diminuire la sua efficacia.

### 7. Airfree® può essere utilizzato in ambienti con aria condizionata?

Sì.

### 8. Come si fa a sapere se Airfree® non funziona?

Basta toccare la parte superiore, se è calda, Airfree® funziona correttamente.

**9. Airfree® può essere installato in corridoio così da poter raggiungere tutta la casa?**

No. In questo caso Airfree® ridurrà la contaminazione esclusivamente all'interno del corridoio.

**10. Si può installare in una stanza chiusa?**

Sì, purché abbia almeno 11m<sup>3</sup> di volume.

**11. Airfree® elimina batteri e virus?**

Sì. A differenza di dispositivi che utilizzano filtri, Airfree® è risultato maggiormente efficace anche con i microrganismi più piccoli, poiché essi vengono facilmente spinti dai flussi di aria all'interno del nucleo ceramico di Airfree®.

**12. Si può spostare Airfree® da una stanza ad un'altra?**

No. Airfree® deve rimanere collegato sempre nella stessa stanza 24 ore al giorno. La tecnologia brevettata di Airfree® funziona gradualmente e non si deve interrompere il suo ciclo. Spostandolo da una stanza all'altra si interromperebbe il ciclo.

**13. Quando si esce da casa Airfree® si deve spegnere?**

No. Airfree® deve rimanere sempre acceso.

**14. Cosa succede se si scollega Airfree® o in caso di black out?**

Airfree® impiegherà approssimativamente lo stesso tempo per recuperare il livello di contaminazione precedentemente ridotto.

**15. Il CADR misura l'efficacia del Airfree®?**

Assolutamente no. Il CADR (Clean Air Delivery Rate) non è adatto a verificare il grado di efficacia della tecnologia Airfree®. La guarnizione di AHAM (che si trova solitamente sulla parte posteriore di una scatola di un purificatore d'aria) elenca tre livelli di tasso di purificazione d'aria (CADR): uno per il fumo di tabacco, uno per polline ed uno per la polvere. Il CADR indica il volume di aria filtrata da un depuratore di aria. Più alti sono i valori di fumo di tabacco, polline e polvere, più velocemente l'unità filtra l'aria. La ragione principale per la quale CADR non è progettato per Airfree® è perché Airfree® non filtra ma distrugge i microrganismi denaturandoli attraverso il processo termico. Il CADR si applica invece a volumi di aria filtrata trasportata da un depuratore d'aria come detto in precedenza. Il CADR non misura la riduzione dei microrganismi come la muffa ed i batteri che è un dato rilevabile soltanto da un laboratorio di microbiologia. Airfree® distrugge (non prendendoli o facendoli attrarre su una superficie) tutti i microrganismi senza riguardo a quanto piccoli o pericolosi possono essere. Il 99.99% di tutte le particelle organiche vengono completamente distrutte attraverso il nucleo di ceramica di Airfree® brevettato negli Stati Uniti.

**16. In che modo Airfree® distrugge gli acari?**

Airfree® elimina i funghi indispensabili per la sopravvivenza degli acari, sia a livello di cibo che per la loro digestione. Gli acari vengono ridotti nella stessa percentuale di riduzione dei funghi.

**17. In che modo Airfree® elimina i funghi?**

Come spiegato sopra, Airfree® elimina i microrganismi ambientali, inclusi funghi e spore. Eliminando le spore, si bloccherà la formazione di nuove colonie che saranno mantenute a livelli molto bassi.

**18. In che modo Airfree® distrugge i virus?**

Questi microscopici microrganismi sono facilmente eliminati all'interno dei capillari ceramici di Airfree®. La temperatura interna è tre volte maggiore di quella richiesta per distruggerli. Airfree® è il miglior alleato per prevenire malattie respiratorie.

**19. In che modo Airfree® elimina gli odori di tabacco?**

Airfree® elimina qualsiasi odore organico ambientale, incluso il tabacco.

**20. Airfree® rilascia del gas o delle sostanze chimiche?**

No. Il processo di sterilizzazione di Airfree® è naturale. Consultare il sito per i test sulle particelle e O<sub>3</sub> (ozono).

**21. Airfree® riscalda l'ambiente?**

No. Airfree® non aumenta la temperatura ambientale. Per dare un'idea, due dispositivi Airfree® collegati all'interno di una stanza forniscono tanto calore quanto quello dato dalla presenza di un individuo nella stessa stanza.

**22. Airfree® ha effetti sull'umidità?**

No.

**23. Airfree® ha bisogno della sostituzione di filtri?**

No.

**24. I consumi di Airfree® sono elevati?**

No. Il consumo del Airfree® è di appena 52 watt per P150, di 50 watt per P125/E125 di 48 watt per P80/E80, di 45 watt per P60/E60, di 40 watt per P40/E40.

**25. La luce anti-stress interferisce con la funzione di sterilizzazione di Airfree®? (\*)**

No. La luce anti-stress ha un effetto estetico, distensivo e rilassante. Può essere usata semplicemente come luce di notte per i bambini o nelle stanze dei neonati. Secondo la cromoterapia, la luce blu ha effetto calmante e distensivo. (\*) l'Airfree® E40/E60/E80/E125 non comprende la luce Anti-stress.

**26. Dove vanno a finire i microorganismi dopo che sono stati distrutti?**

Come tutti gli organismi viventi, i microorganismi ed i loro prodotti sono composti fondamentalmente da carbonio, da ossigeno e da azoto. Poiché Airfree® raggiunge approssimativamente 200° C, tutti i microorganismi sono sottoposti un processo di combustione che rilascia il biossido di carbonio (lo stesso prodotto liberato tramite la nostra respirazione) e l'acqua. Parti di carbonio (o delle ceneri) possono rimanere presenti nell'aria a seguito del processo di combustione. Se resiste qualche residuo di allergene, è da considerarsi come sottoposto ad un processo di denaturazione, quindi oramai privo di conformazione e funzione. Ogni reazione descritta avviene a livello microscopico e dunque questi processi ed i relativi sottoprodotti non saranno percepiti. Di conseguenza non c'è nessuna manutenzione.

## Garanzia Limitata

Questo prodotto è garantito da AIRFREE® PRODUCTS come privo di difetti sia nei materiali che nella manodopera, se utilizzato adeguatamente per un periodo di due anni dalla data di acquisto. Durante tale periodo, in caso si riscontrino dei difetti di fabbricazione, il prodotto dovrà essere consegnato al rivenditore presso il quale è stato effettuato l'acquisto accompagnato dalla prova d'acquisto con data d'acquisto, il numero di serie ed una breve descrizione del difetto di fabbrica riscontrato. Il rivenditore provvederà quindi all'inoltro del prodotto al centro di assistenza per la riparazione o l'eventuale sostituzione con un apparecchio dello stesso modello o di un modello simile senza alcun costo per materiali o manodopera.

Questa garanzia non si intende valida nel caso in cui il prodotto venga utilizzato in modo errato o venga manomesso o alterato, includendo cadute e schiacciamento; difetti nell'installazione elettrica o oscillazioni del livello di potenza elettrica sono difetti che si considerano assimilati all'utilizzo scorretto del prodotto.

AIRFREE® PRODUCTS unitamente ai suoi distributori non fornisce alcuna specifica relativa all'uso medico del prodotto, inoltre il produttore non garantisce che l'apparecchio prevenga alcun tipo di malattia.

NE' QUESTA NE' NESSUN'ALTRA GARANZIA, ESPRESSA O IMPLICITA, INCLUDENDO GARANZIE IMPLICITE O COMMERCIALI, ESTENDERA' IL PERIODO STESSO DI GARANZIA.

NON SI ASSUME ALCUNA RESPONSABILITA' PER INCIDENTI O DANNI CONSEGUENTI, INCLUDENDO DANNI SENZA LIMITAZIONI. POICHE' ALCUNI STATI NON PERMETTONO LIMITAZIONI SULLA DURATA DI UNA GARANZIA IMPLICITA ED ALTRI STATI NON PERMETTONO L'ESCLUSIONE O LA LIMITAZIONE DI INCIDENTI O DANNI CONSEGUENTI, LE SUDETTE LIMITAZIONI O ESCLUSIONI NON SONO APPLICABILI. AIRFREE® PRODUCTS DECLINA SPECIFICAMENTE QUALSIASI GARANZIA ESPRESSA NON QUI ALTRIMENTI DESCRITTA E QUALSIASI GARANZIA IMPLICITA O COMMERCIALE O GARANZIE IMPLICITE PER ADEGUATEZZA AD UNO SCOPO PARTICOLARE. NON VI SONO GARANZIE CHE VALGONO, OLTRE A QUELLE DESCRITTE NEL PRESENTE PARAGRAFO. La presente garanzia fornisce specifici diritti legali; potreste avere altri diritti, che variano da stato a stato.

Warranty Certificate - 2 years / Certificat de Garantie - 2 années/  
Certificato di Garanzia/ Gewährleistungszertifikat

Model/ Modèle/ Modello/ Modell: \_\_\_\_\_

Serial Number/ Numéro de Série/ Numero Seriale/  
Seriennummer: \_\_\_\_\_

Client Name/ Nom du client/ Nominativo/  
Kundenname: \_\_\_\_\_

Address/ Adresse/ Indirizzo/ Adresse: \_\_\_\_\_

City/ Ville/ Città/ Stadt: \_\_\_\_\_

Zip code/ Code Postal/ Codice Postale/ PLZ: \_\_\_\_\_

Phone/ Téléphone/ Telefono/ Telefon: (    ) \_\_\_\_\_

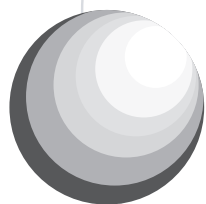
Purchase Date/ Date d'achat/ Data d'acquisto Kaufdatum:  
/    /

Store Name/ Nom du magasin/Cuño/ Nome del negozio/  
Verkaufsstelle: \_\_\_\_\_

Invoice Number/ Numéro de facture/  
Numero fattura/ Rechnungsnummer: \_\_\_\_\_



In order to obtain full warranty terms and conditions as stated above please fill in and return Warranty Certificate to Authorised Airfree® distributor. You may also register your warranty at [www.airfree.com/](http://www.airfree.com/). De façon à obtenir les conditions complètes de la garantie décrite ci-dessus, veuillez remplir et retourner le certificat de garantie à votre revendeur. Vous pouvez aussi vous enregistrez sur notre site [www.airfree.com/warranty](http://www.airfree.com/warranty) /Per aver diritto alle condizioni di garanzia sopradescritte, si prega di compilare la scheda e di spedirla al distributore autorizzato. Potete anche registrare a [www.airfree.com/](http://www.airfree.com/) Um die volle Gewährleistung zu den oben genannten Bedingungen zu erlangen füllen Sie bitte dieses Gewährleistungszertifikat aus und senden Sie es an ein autorisiertes AIRFREE® - Vertriebsunternehmen



***Airfree***®  
P R O D U C T S

\* AIRFREE® PRODUCTS, Rua Mouzinho da Silveira Nº27 - 5A -

1250-166, Lisbon Portugal

- Tel.: 00 351 - 213 156 222

- Fax: 00 351 - 213 516 228

- Web: [www.airfree.com](http://www.airfree.com)

- Mail: [info@airfree.com](mailto:info@airfree.com)

