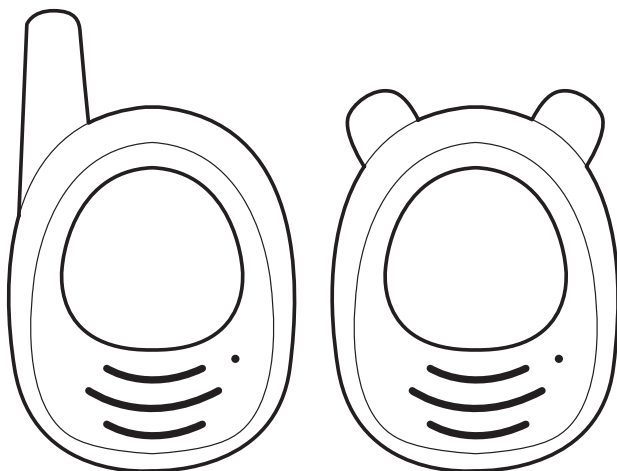
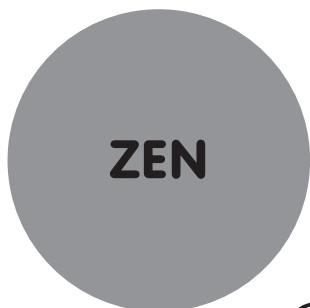


IMPORTANT! KEEP THIS MANUAL FOR FUTURE REFERENCE

INSTRUCTION MANUAL FOR DIGITAL AUDIO BABY MONITOR “ZEN”



This **chipolino** product is manufactured in accordance with the requirements of Directives of the European Parliament and Council 2014/53/EU relating to the making available on the market of radio equipment, Directive 2011/65/EU on the restriction of the use of certain hazardous substances in electrical and electronic equipment (RoHS), Directive 2009/125/EC, establishing a framework for the setting of ecodesign requirements for energy-related products, Regulation (EC) No 1907/2006 concerning the Registration, Evaluation, Authorisation and Restriction of Chemicals (REACH) and 2001/95/EU on General Product Safety as well as in accordance with National Legislation. The conformity of this certified with test reports, mentioned in the declaration of compliance of this products, which can be found at www.chipolino.com.

TO GUARANTEE THE SAFE USE OF THIS PRODUCT, FOLLOW THE WARNINGS, GUIDELINES AND RECOMMENDATIONS IN THIS MANUAL!

ATTENTION! WARNINGS!

- **CAUTION!** THIS PRODUCT IS INTENDED TO AID YOU AND CANNOT SUBSTITUTE A REAL AND RESPONSIBLE ADULT SUPERVISION!
- **CAUTION!** USE THE PRODUCT ONLY FOR ITS PURPOSE!
- **CAUTION!** ONLY AN ADULT SHOULD USE THE PRODUCT!
- **CAUTION!** THIS DEVICE IS NOT A TOY AND MUST BE KEPT OUT OF CHILDREN'S REACH! Do not let children play with parts of the monitor!
- **CAUTION!** NEVER PLACE THE BABY UNIT IN THE BABY'S BED OR PLAYPEN! Place the transmitter no less than 2 m away!
- **CAUTION!** THE ADAPTERS, PARENT AND BABY UNITS MUST ALWAYS BE OUT OF THE REACH OF THE BABY TO AVOID RISK OF INJURY OR SUFFOCATION!
- **CAUTION!** BEFORE USE, INSPECT THE GOOD WORKING ORDER OF ALL PARTS OF THE PRODUCT. Do not use the product if you find some parts are missing or damaged.
- **CAUTION!** NEVER USE THE BABY MONITOR IN WET ENVIRONMENT, CLOSE TO OR IMMERSSED IN WATER!
- **CAUTION!** KEEP AWAY FROM FIRE. To avoid overheating keep the transmitter, receiver and adaptors away from heat sources or other devices, which release heat.
- **CAUTION!** Do not leave the adapters in a place where children may step on them. An impact on the adapter when plugged in the electricity may cause damage and serious risk of injury!
- Do not use spare parts or other components, which are not supplied by the manufacturer! The producer does not assume responsibility in case spare parts have been used which are different from the approved type or recommended by the producer.
- Do not make changes or modifications on the product! Do not modify the electric circuit and do not add other electrical parts! If necessary, contact the retailer or an authorized service center for advice and repair.
- Before plugging the adaptors in, check if the voltage marked on the adaptor is the same as the voltage of the local electricity network. If not, you will damage the product!
- Do not use damaged adaptors.
- Do not remove the labels and warnings on the product! They are important for everyone who uses the product!
- Keep the nylon package away from children to avoid suffocation!

WARNINGS FOR USING BATTERIES

- Always secure the batteries compartment with the cover after you installed the batteries.
- Do not allow children near the batteries or play with them!
- Install batteries only of the recommended size and voltage.
- Do not use batteries with different type.
- Do not mix new and used batteries.
- Follow the polarity at batteries compartment.
- Remove the damaged or depleted batteries.
- Remove the batteries when you are not going to use the product for a long period of time.
- Remove the batteries from the product while you are using the adaptors.
- Do not throw the batteries in open fire. Do not disassemble the batteries.
- **CAUTION!** When you stop using the product, do not throw it in the household waste but hand it over to an official waste collecting point. The waste from damaged electrical and video devices, batteries, adaptors, must be disposed separately. Throwing them out in containers for household waste is forbidden.



PRODUCT FEATURES

Operating frequency	2.4015GHz - 2.4835GHz
Digital platform	FHSS
Frequency modulation	GFSK
Frequency band	ISM
Suitable ambient temperature	From 0° C up to +40° C
Range (open space)	Up to 300 m
USB adapter, 2 pcs	Input: 100-240V, 50-60Hz, 0.25A Output: DC5V 1000mA
Battery, type „AAA” alkaline (not included)	6 x 1.5V
Position of transmitter to the baby	1,5-2 m
Two way communication	YES
Belt clips – for both units	YES
Both units can be wall installed	YES

INSTRUCTIONS FOR USE

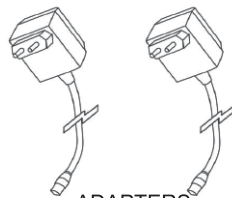
Please, check if all described parts are available :



TRANSMITTER
(baby unit) 1pc



RECEIVER
(parent unit) 1pcs



ADAPTERS
2 pcs

CAUTION! TO BE USED ONLY BY AN ADULT!

PREPARATION FOR USE

1. Use when devices are plugged in (using the adapters)



Insert the adapter cable in the unit and plug it in an electricity outlet or in the PC (use the USB).

RECOMMENDATION: First turn off the devices using button ON/OFF and after that unplug the adapters.

2. Placing the batteries

- Remove the battery compartment cover.
- Place 3 pcs in each unit plain alkaline batteries, type „AAA” 1.5 V.
- Secure the batteries with the cover.

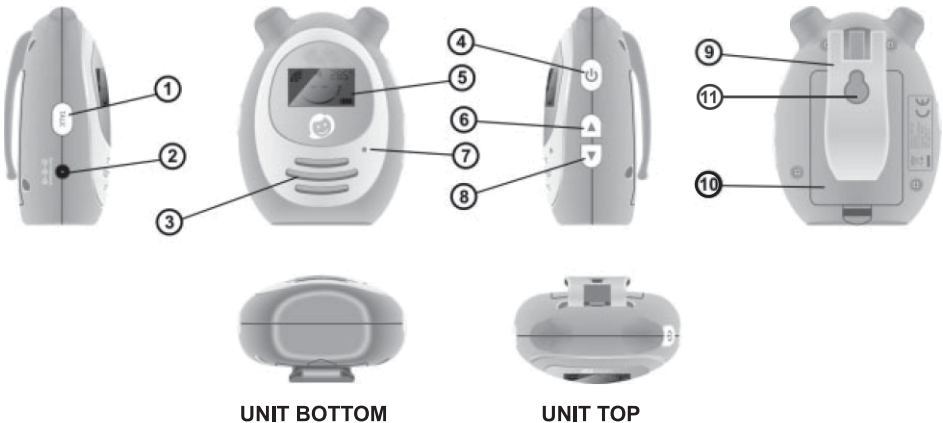
3. Placing the baby monitor

- Place the baby unit on stable, horizontal and even surface, or
- Install the baby unit on the wall.

ADVICE FOR BETTER PERFORMANCE AND WIDER RANGE:

- For better operation and during longer period of usage, we recommend you to use adaptors, not batteries to supply both units.
- If between the two devices there are many walls or ceilings or you use wireless phone, wireless video, Wi-Fi net, micro oven or Bluetooth devices on frequency 2.4 GHz, the transmitter or receiver may get interference. To solve the problem, try to place the parent unit closer to the baby unit or turn off other wireless devices.

PARENT UNIT (RECEIVER)



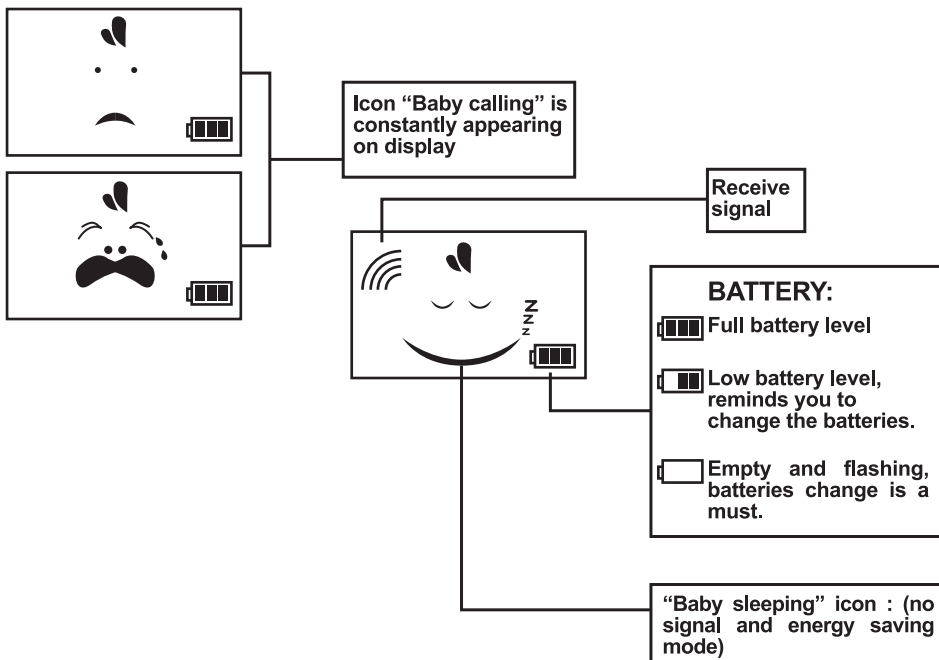
UNIT BOTTOM

UNIT TOP

- | | |
|-----------------------|-------------------------|
| 1 Talk back button | 7 Microphone |
| 2 Power supply socket | 8 Volume “-”key |
| 3 Speaker | 9 Belt clip |
| 4 POWER ON/OFF key | 10 Battery compartment |
| 5 LCD display | 11 Wall install opening |
| 6 Volume “+” key | |

FUNCTIONS OF THE RECEIVER

LCD DISPLAY



POWER ON/OFF key

1. **ON:** Press and hold for 2-3 seconds the power key ON/OFF.
2. **OFF:** Press and hold for 2-3 seconds the power key ON/OFF.

Volume +/- key

1. Press the key „▲“, in order to raise volume;
2. Press the key „▼“, in order to lower volume.

Talk back key function (only for parent unit)

1. Press and hold the Talk back key and talk.
2. Release the key in order to turn off the function.

Indicator for low battery charge



Flashing icon

Battery icon will flash and you will hear alarm signal which means that the battery level charge is very low.

Out of range indicator (only for parent unit)

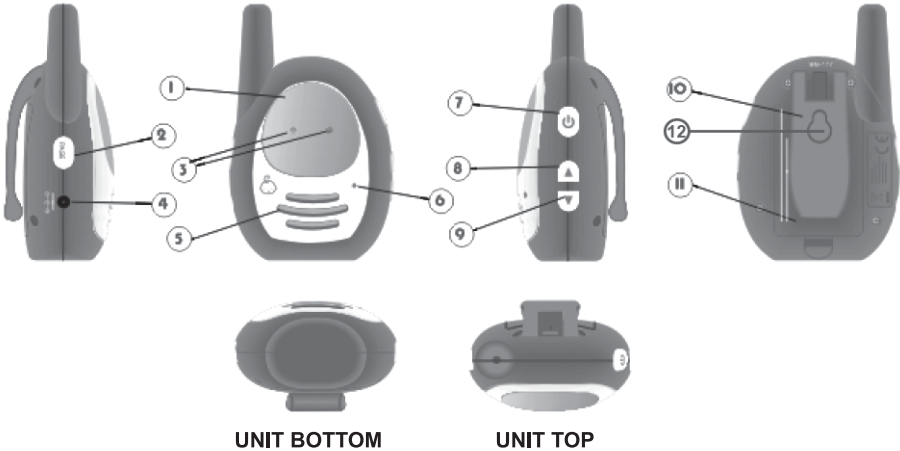
If the parent unit is making alarm signal and the Signal strength icon is flashing:

Flashing icon



1. The two units are located too far away from each other and they cannot connect.
2. One of the units is turned off or battery charge is too low.

BABY UNIT (TRANSMITTER)



- 1 LED display
- 2 "PAGE" key
- 3 Power LED & out of range LED
- 4 Power supply socket
- 5 Speaker
- 6 Microphone

- 7 POWER ON/OFF Key
- 8 Volume "+" Key
- 9 Volume "-" key
- 10 Belt clip
- 11 Battery compartment
- 12 Wall install opening

FUNCTIONS OF BABY UNIT (TRANSMITTER)

POWER ON/OFF key

1. **ON:** Press and hold for 2-3 seconds the power key ON/OFF.
2. **OFF:** Press and hold for 2-3 seconds the power key ON/OFF.

Volume +/- key

1. Press the key „▲“, in order to raise volume;
2. Press the key „▼“, in order to lower volume.

"PAGE" key

This function is use to find the parent unit in case you lost it.

1. Press the „Page" key, in order to „call" the parent unit;
2. The parent unit will produce warning signal.

Indicator for low battery charge

When the battery charge is low, the LED will be green color. The baby unit will turn off on its own, when the batteries' charge is lower than 3V.

Out of range indicator (only for baby unit)

LED will be in red color when:

1. The two units are located too far away from each other and they cannot connect.
2. One of the units is turned off or battery charge is too low.

Pairing of the units

1. Turn off both devices.
2. Turn on the parent unit
3. Press key „▲” and hold, after that press ON/OFF key and hold the two keys simultaneously.
4. The signal strength icon will appear on the display.
5. Repeat the same steps with the baby unit.
6. If the devices are paired successfully you will hear a confirming sound.



CARE AND MAINTENANCE

- Do not step on the power supply cable and keep it from twisting especially around the connectors, socket and the point where the cable comes out of the unit.
- Keep the units for the parent and baby and the adapters so that they will have sufficient ventilation. Do not cover them with clothes, towels, covers, etc.
- Always unplug the units from the sockets during thunder storm or if you will not use them for a long time.
- Do not immerse the parent or baby units in water, do not wash them under running water.
- Clean the parts of the baby monitor and adapters with a dry towel after you have turned the units off and unplugged the adaptors from the electricity network.
- Store in a dry and cool place.

Used materials: plastic, metal.



1 Goliakonarsko shosse, Plovdiv, BULGARIA
www.chipolino.com